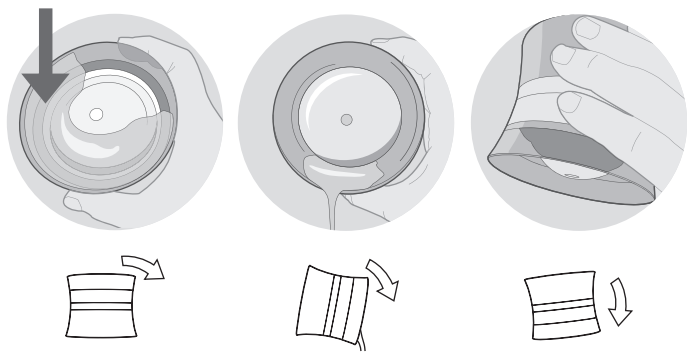


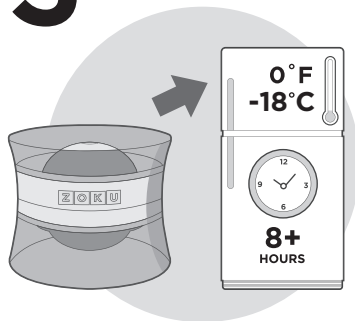
1



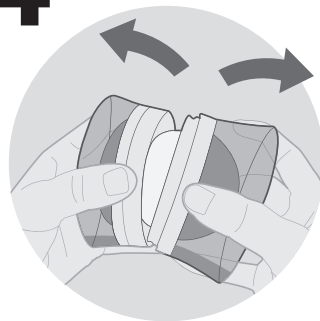
2



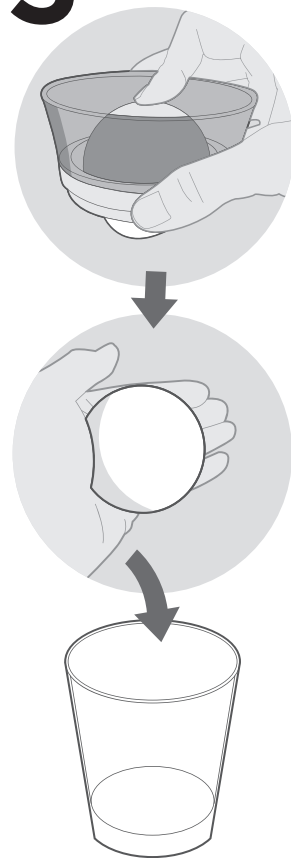
3



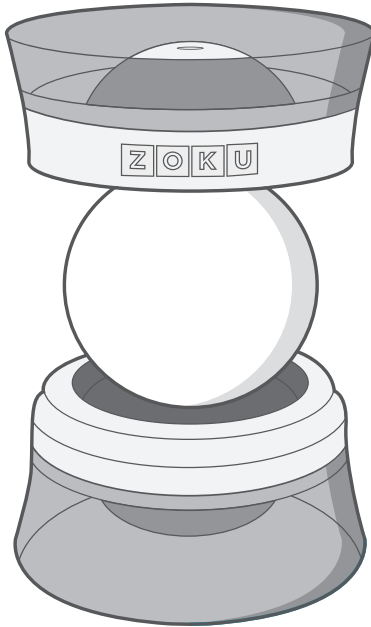
4



5

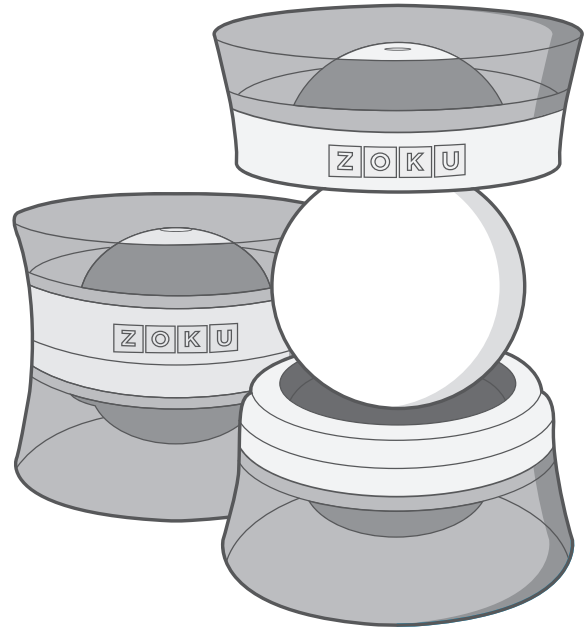


# ZOKU®



©2013 by Zoku, LLC  
ZOKU, LLC Hoboken, NJ 07030  
[www.zokuhome.com](http://www.zokuhome.com)  
U.S. and International Patents Pending  
Designed in the USA  
Made in China

# ZOKU®



## Ice Ball

INSTRUCTION MANUAL

[www.zokuhome.com](http://www.zokuhome.com)