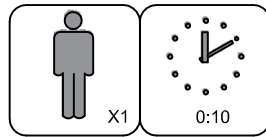


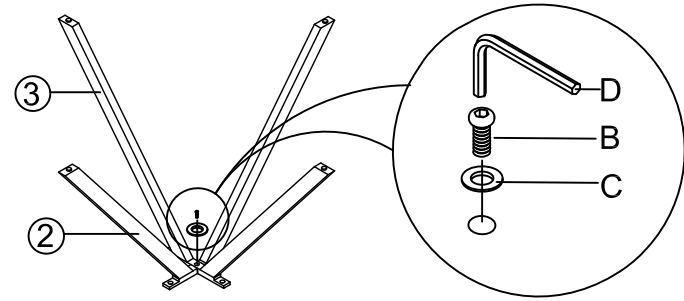


when the chair has wobble problem, please adjust
the two caps of the opposite corner for 2~3 circles



<p>① X1</p>	<p>② X1</p>	<p>③ X1</p>		
<p>A M6x20 x 4</p>	<p>B M6x16 x 1</p>	<p>C x 5</p>	<p>D x 1</p>	

①



②

