



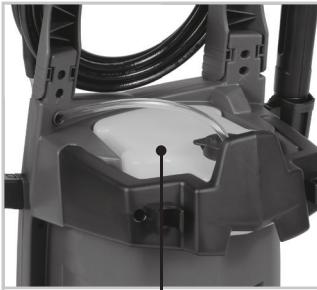
**VONROC®**  
BUILD YOUR FUTURE

## PRESSURE WASHER PW503AC

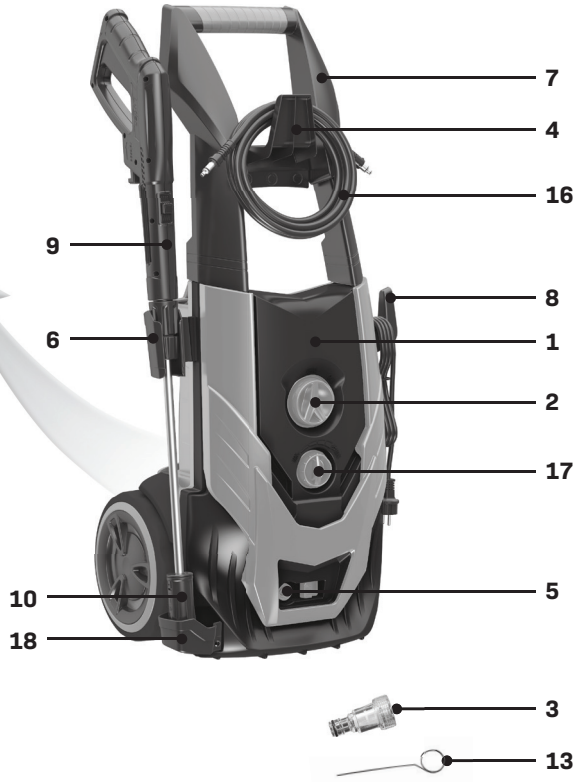


<b>EN Original Instructions</b>	<b>05</b>	<b>SV Översättning av bruksanvisning i original</b>	<b>48</b>
CAUTION: Read the instructions before using the machine.		FÖRSIKTIGHET: Läs instruktionerna innan du använder maskin.	
<b>DE Übersetzung Der Originalbetriebsanleitung</b>	<b>11</b>	<b>DA Oversættelse af den originale brugsanvisning</b>	<b>54</b>
ACHTUNG: Lesen Sie diese Bedienungsanleitung vor Gebrauch der Maschine.		FORSIGTIG: Læs instruktionerne, før du bruger maskine.	
<b>NL Vertaling van de oorspronkelijke gebruiksaanwijzing</b>	<b>19</b>	<b>PL Tłumaczenie instrukcji oryginalnej</b>	<b>61</b>
WAARSCHUWING: Lees deze gebruikershandleiding zorgvuldig door voordat u de machine in gebruik neemt.		OSTRZEŻENIE: Przed rozpoczęciem korzystania z tej maszyny należy dokładnie przeczytać instrukcję obsługi.	
<b>FR Traduction de la notice originale</b>	<b>26</b>	<b>RO Traducere a instrucțiunilor originale</b>	<b>68</b>
AVERTISSEMENT: Lire ce manuel d'utilisation attentivement avant d'utiliser la machine.		PRECAUȚIE: Citiți instrucțiunile înainte de a utiliza mașinărie.	
<b>ES Traducción del manual original</b>	<b>33</b>		
PRECAUCIÓN: Lea las instrucciones antes de usar la máquina.			
<b>IT Traduzione delle istruzioni originali</b>	<b>40</b>		
ATTENZIONE: leggere le istruzioni prima di utilizzare la macchina.			

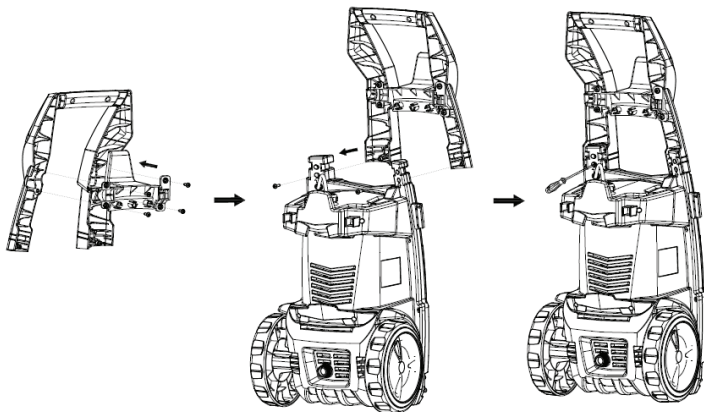
A

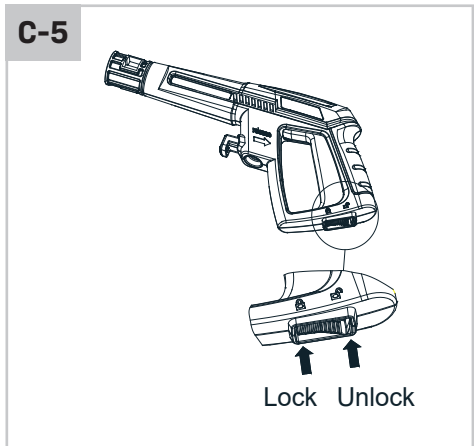
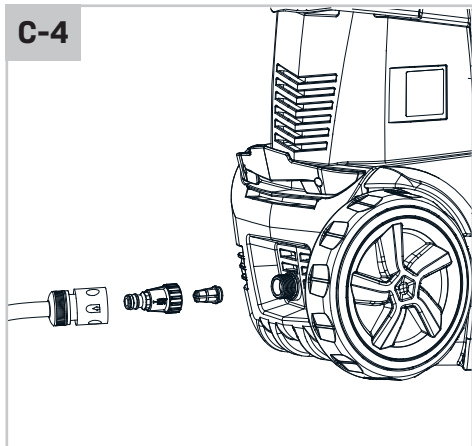
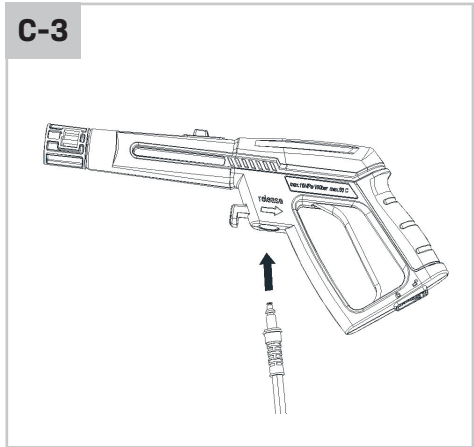
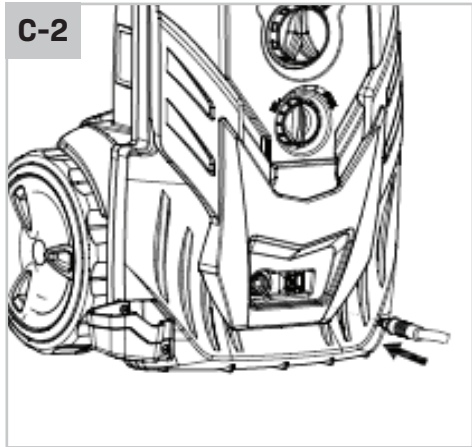
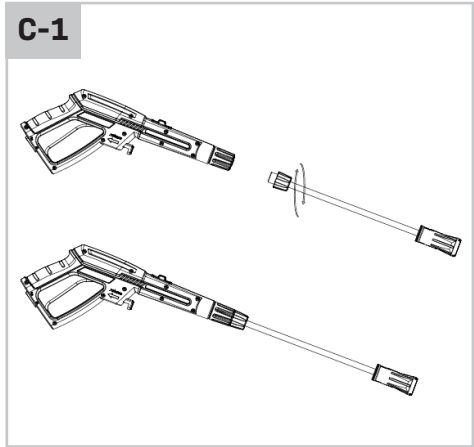
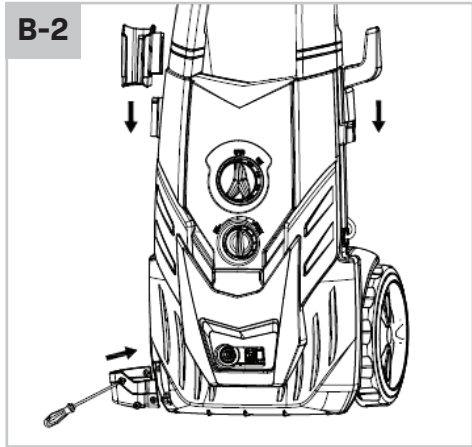


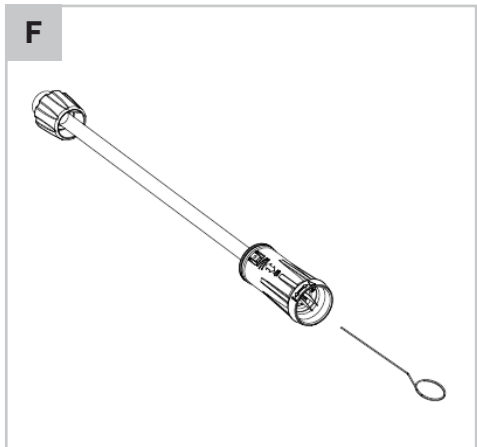
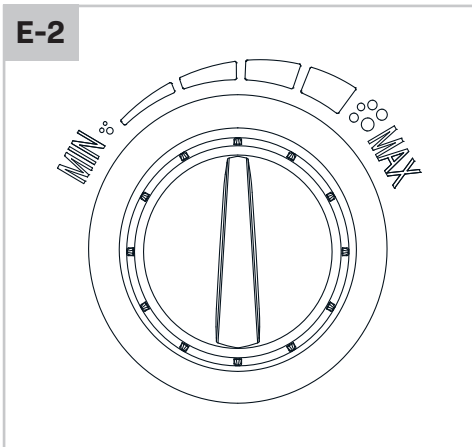
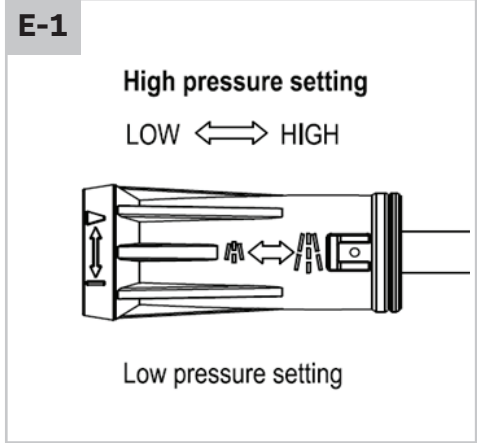
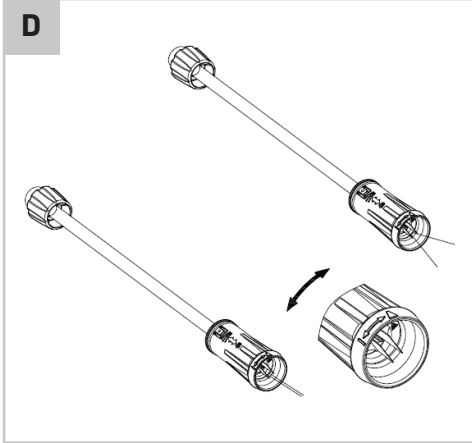
14



B-1







## 1. SAFETY INSTRUCTIONS

Read the enclosed safety warnings, the additional safety warnings and the instructions. Failure to follow the safety warnings and the instructions may result in electric shock, fire and/or serious injury. Save the safety warnings and the instructions for future reference.

The following symbols are used in the user manual or on the product:



*Read the user manual.*



*Denotes risk of personal injury, loss of life or damage to the tool in case of non-observance of the instructions in this manual.*



*Indicates electrical shock hazard.*



*DO NOT direct the water jet towards people or animals. DO NOT direct the water jet towards the unit itself, electrical parts or towards other electrical.*



*The machine is not intended to be connected to the potable water mains.*



*Protect the appliance against frost.*



*Double insulated.*



*Do not dispose of the product in unsuitable containers.*



*The product is in accordance with the applicable safety standards in the European directives.*

### SAFETY WARNINGS

When using electric machines always observe the safety regulations applicable in your country to reduce the risk of fire, electric shock and personal injury. Read the following safety instructions and also the enclosed safety instructions.



**WARNING! Read all safety warnings and all instructions.** Failure to follow the warnings and instructions may result in electric shock, fire and/or serious injury.

#### Electrical safety

- Always check if your mains voltage corresponds with the value on the type plate.
- When replacing old cables or plugs:
- Throw away old cables or plugs immediately as soon as new ones have replaced these. It is dangerous to put the plug of a loose cable into the socket outlet.
- When using extension cables:
- Only use an approved extension cable that is suitable for the machine's power. The cores must have a diameter of at least 1.5 mm<sup>2</sup>. When the extension cable is on a reel, unroll the cable in its entirety.
- All electrical connections e.g. extension cable, must be of an approved waterproof type for outdoor use and marked accordingly.

#### Immediately switch off the machine when:

- Interruption of the mains plug, mains lead or mains lead damage.
- Defect switch.
- Smoke or stench of scorched isolation.

### SPECIFIC SAFETY RULES

The USE and MAINTENANCE manual constitutes an essential part of the cleaner equipment and should be kept in a safe place for future reference. If you sell the cleaner, the manual should be handed on to the new owner.

- Before starting the cleaner, make sure that it is receiving water correctly. Operating the cleaner without water could damage the seals.
- Do not disconnect the plug by pulling on the electrical cable.
- If you are too far from the object you wish to clean, do not move the cleaner nearer by pulling on the high pressure hose; use the handle provided.
- In versions not equipped with TSS device, do not operate the cleaner for more than 1-2 minutes with the gun closed as this could damage the seals.
- Protect the cleaner from freezing during the winter.
- Do not obstruct the ventilation grilles during

operation.

- The cross-section of any extension cables used must be proportional to their length, i.e. the longer the extension cable, the greater the cross-section; cables with a protection level of "IPX5" must be used.
- Position the cleaner AS NEAR POSSIBLE to the water supply.
- The packaging is easily recyclable, and must be disposed of in compliance with the regulations in force in the country of installation.
- Use the cleaner only with accessories and replacement parts authorized by the manufacturer. The use of original accessories and replacement parts will ensure safe, troublefree operation.
- The cleaner must be used standing on a secure, stable surface.
- Avoid unintentional firing of the trigger. Do not carry the lance/ trigger assembly with your hand over the trigger. Always use the trigger lock mechanism.
- Ensure that the safety lock on the trigger is used, when you have stopped using the pressure washer to prevent accidental operation.
- Read all the instructions before using the machine.
- Machines shall not be used by children. Children should be supervised to ensure that they do not play with the machine. This machine is not intended for use by persons (including children) with reduced physical, sensory or mental capabilities, or lack of experience and knowledge.
- The electrical supply connection shall be made by a qualified person and comply with IEC 60364-1. The electric supply to this machine should include a residual current device that will interrupt the supply if the leakage current to earth exceeds 30 mA.
- The machine is intended to be used at a temperature above 0 degree. (Only for machine with power cord of H05VV-F).
- The operating method to be followed in the event of accident (e.g. contact with detergents: rinse with an abundance of clean water) or breakdown to prevent unsafe situations.
- This machine has been designed for use with the cleaning agent supplied or recommended by the manufacturer. The use of other cleaning agents or chemicals may adversely affect the safety of the machine.
- Recommend the operator to wear ear protectors.
- Do not use the machine within range of persons unless they wear protective clothing.
- Do not direct the jet against yourself or others in order to clean clothes or foot-wear.
- Risk of explosion-Do not spray flammable liquids.
- High pressure hoses, fittings and couplings are important for the safety of the machine. Use only hoses, fittings and couplings recommended by the manufacturer.
- To ensure machine safety, use only original spare parts from the manufacturer or approved by the manufacturer.
- Water that has flown through backflow preventers is considered to the non-potable.
- The machine shall be disconnected from its power source by removing the plug from the socket-outlet during cleaning or maintenance and when replacing the machine to another function.
- Observe a distance of at least 30cm when using the jet to clean painted surfaces to avoid damaging paintwork.
- Do not use the machine if a supply cord or important parts of the machine are damaged, e.g. safety devices, high pressure hoses, trigger gun.
- If an extension cord is used, the plug and socket must be of watertight construction.
- Inadequate extension cords can be dangerous. If an extension cord is used, it shall be suitable for outdoor use, and the connection has to be kept dry and off the ground. It is recommended that this is accomplished by means of a cord reel which keeps the socket at least 60mm above the ground.
- In order to avoid a hazard due to inadvertent resetting of the thermal cut-out, this appliance must not be supplied through an external switching device, such as a timer, or connected to a circuit that is regularly switched on and off by the utility.
- To ensure the machine safety, please only use original spare parts (including nozzle) from the manufacturer or approved by the manufacturer. Do not use the machine before you changed them if they are damaged.

- Be care of the danger of the kickback force on the spray assembly when opening the trigger gun and grasp the gun with hands firmly.
- To reduce the risk of injury, close supervision is necessary when a machine is used near children. High-pressure cleaner shall not be used by children or untrained person.
- Know how to stop the machine and bleed pressures quickly. Be thoroughly familiar with the controls.
- Stay alert and watch what you are doing.
- Do not operate the machine when fatigued or under the influence of alcohol or drugs.
- Keep operating area clear of all persons.
- Do not overreach or stand on unstable support. Keep good footing and balance at all times.
- Follow the maintenance instructions specified in the manual.
- This machine must be grounded. If it has malfunction or breakdown, grounding provides a path of least resistance for electric current to reduce the risk of electric shock. The plug must be plugged into an appropriate outlet that is properly installed and grounded in accordance with all local codes and ordinances. The rating voltage (V/Hz) of the machine has to be in compliance with the local power supplying voltage.
- Check with a qualified electrician or service personnel if you are in doubt as to whether the outlet is properly grounded. Do not modify the plug provided with the machine. If it will not fit the outlet, have a proper outlet installed by a qualified electrician. Do not use any type of adapter with this machine.
- Use only extension cords that are intended for outdoor use and the socket must be of watertight construction. These extension cords are identified by a marking "Acceptable for use with outdoor machines; store indoors while not in use." Use only extension cords having an electrical rating not less than the rating of the machine. Do not use damaged extension cords. Examine extension cord before using and replace if damaged. Inadequate extension cords can be dangerous. Do not abuse extension cord and do not yank on any cord to disconnect. Keep cord away from heat and sharp edges. Always disconnect the extension cord from the receptacle before disconnecting the machine from the extension cord.
- To reduce the risk of electrocution, don't start and run the machine in the rain or storm. Keep all connections dry and off the ground. Do not touch plug with wet hands. It is strictly prohibited to let water leak into the machine.
- When the machine is running, please maintain a constant water supply. Without water circulation will damage the sealing rings of the machine.
- It is necessary to turn on the spray lance within one or two minutes after the machine has been started. Otherwise, the temperature of the circulating water within the machine will soon rise to a critical point, which will cause damage to the sealing rings inside the machine.
- Don't start and run the machine in a place excessively cold so as to prevent the machine from the freezing current.
- This machine has been designed for only using cleaning water, do not use corrosive chemicals.
- Use cleaning agent supplied or recommend by the manufacturer.
- High-pressure jets can be dangerous if subject to misuse. The jet must not be directed at persons, animals, live electrical equipment or the machine itself. Pressure washers should not be pointed at tire walls, as it may be possible to damage them.
- Do not direct the jet against yourself or others in order to clean clothes or footwear.
- Disconnect from the electrical power supply before carrying out user maintenance.
- If the mains cable is damaged it must be replaced by the manufacturer, or its service agent or similarly qualified person to avoid a hazard.
- Do not use the machine if a supply cord or important parts are damaged, e.g. safety devices, high pressure hoses, trigger gun.
- Be aware of the recoil caused by the water jet when the machine is switched on.
- When the machine is moving and installing, the machine must be in flat. When moving the machine, pulling the handle to move it.
- Connect to the water supply. The machines are not suitable for connection to portable water mains. Connect the machine to the water supply. (It can be a water container).
- Do not use the pipe if the pipe is damaged. If you want connect this machine to portable water mains, you must install a backflow

preventer in the water pipe to prevent dirty water flow back to the drinking water system. The backflow preventer shall comply with EN 60335-2-79 ANNEX AA.

## 2. MACHINE INFORMATION

### Intended use

The high pressure cleaner PW503AC is quick and efficient for cleaning vehicles, machines, boats, buildings, etc. Only clean vehicle engines in areas in which suitable oil traps are installed.

### TECHNICAL SPECIFICATIONS

Model No.	PW503AC
Voltage	220-240 V~ 50/60Hz
Input power	2200 W
Max. pressure water supply	12 bar
Max. water temperature	50 °C
Rated flow rate	6.5 l/min
Max. flow rate	7.5 l/min
Rated pressure	120 bar
Max. pressure	170 bar
Weight	12.62 kg
IP class	IPX5
Protective class	II
Lpa (sound pressure)	74.6 dB(A) K=3dB(A)
Lwa (sound power)	88.3 dB(A) K=3dB(A)
Max. LwA (sound power)	89 dB(A)
Vibration	2.089 m/s <sup>2</sup>

### DESCRIPTION

The numbers in the text refer to the diagrams on pages 2-5.

1. High pressure cleaner
2. On/off switch
3. Water inlet filter
4. Hose holder
5. Water outlet
6. Gun holder
7. Handle
8. Cable holder
9. Spray gun
10. Adjustable spray lance

11. Turbo lance
12. Lance extension
13. Cleaning needle
14. Detergent tank
15. Patio cleaner
16. High pressure hose
17. Detergent adjustment
18. Nozzle holder
19. Adapter from thread to quick connector

## 3. ASSEMBLY



*Before assembly, always switch off the machine and remove the mains plug from the mains.*

### Assembly of the handle and hose holder (Fig. A, B1)

1. Assemble handle (7) and hose holder (4) as shown in Fig. B1.
2. Tighten the screws.

### Assembly of the gun holder, cable holder and nozzle holder (Fig. A, B2)

Assemble gun holder (6), cable holder (8) and nozzle holder (18) as shown in Fig. B2.

## 4. OPERATION



*The machine may cause electrical disturbances when starting.*



*The motor of this pressure washer will NOT run. It will only operate when the trigger is squeezed.*



*The cleaner must only be used with clean water; use of unfiltered water or corrosive chemicals will damage the cleaner.*



*If the motor stops and fails to restart, wait 2-3 minutes before restarting. THERMAL CUTOFF TRIPPED.*

### Turning on (Fig. A, C)

1. Turn the switch (2) to the "OFF/0" position.
2. Ensure that you have a suitable water supply to feed the pressure washer.
3. Connect lance (10 / 11) as shown in Fig. C1.
4. Connect the high pressure hose (16) to the washer as shown in Fig. C2 and connect the spray gun (9) to the high pressure hose (16) as



shown in Fig. C3.

5. Check gauze filter (3) is clear of any blockage and assemble on the machine as shown in Fig. C4.
6. Connect the water supply hose.
7. Check that the hose has no kinks in it.
8. Turn on water and check for leaks.
9. Squeeze trigger to allow air to be expelled through the pump and hoses, lock trigger as shown in Fig. C5.
10. Plug in machine and turn on switch (2).
11. Unlock trigger as shown in Fig. C5 and use the pressure washer.

### Patio cleaner (Fig. A)

The patio cleaner (15) is ideally suited for the cleaning of floor and wall surfaces made of different materials such as wood, plastic, concrete, tiles, and natural stone.

1. Connect the patio cleaner lance to the patio cleaner (15) as shown in figure A.
2. Connect the lance extension (12) and the adapter (19) to the patio cleaner (15).
3. Connect the set to the spray gun (9).

### Shut down (Fig. A, C)



*Never disconnect the high pressure hose (16) from the machine while the system is still pressurized.*



*ALWAYS turn off the unit's motor BEFORE turning off the unit's water supply. Serious damage could occur to the motor if the unit is run without water.*

1. Turn off the motor (push switch (2) to the off position).
2. Unplug the unit from the power source.
3. Turn off the water supply.
4. Press the trigger of the gun (9) to depressurize the system.
5. Disconnect the garden hose from the pressure washer.
6. Engage the gun safety lock as shown in Fig. C5.
7. Wipe all surfaces of the unit with a damp clean cloth.

### Water supply



*This unit is to be used with a cold-water source only!*

- Ensure that you have a suitable water supply to feed the pressure washer. Check that all connections are tight and there are no leaks in the hose.
- The supply tap should be fully open (do not turn on the pressure washer yet).
- Now depress the trigger (unlock trigger lock first) to let water pass through the unit and expel any air.
- Turn on the pressure washer, once all the air has been expelled and water has reached the end of the lance.

### Adjusting the nozzle (Fig. A, D)

- Water may be sprayed out of the nozzle either linearly or in a fan shape. Turn on the pressure first, and then adjust the nozzle.

### Adjusting the working pressure (Fig. A, E)

The working pressure can be adjusted by turning the sleeve on the end of the nozzle.

- Turn the sleeve clockwise to increasing the working pressure.
- Turn the sleeve counter-clockwise to reduce the working pressure.

### Using detergents (Fig. A, E1)

The built-in detergent dispenser will allow you to apply many forms of liquid detergent onto the work surface. Detergent application happens at low-pressure only.

- Connect the adjustable nozzle (10) to the gun (9).
- Adjust the nozzle (10) to low pressure setting "☼".
- Remove the cap on the detergent reservoir (14) and fill with liquid detergent only. Do not put any water into the reservoir. The pressure washer will mix water and detergent automatically. When finished applying the detergent to the work surface, it is possible to spray off the detergent by using the high pressure setting "☼". In high-pressure mode, the pressure washer will not dispense detergent.

### Adjusting the detergent rate (Fig. A, E2)

To adjust the rate detergent is mixed with the water you can turn the detergent knob (17).

- Turn left to decrease the amount of detergent added.

- Turn Right to increase the amount of detergent added.

## 5. MAINTENANCE



*Before cleaning and maintenance, always switch off the machine and remove the mains plug from the mains.*

Clean the machine casings regularly with a soft cloth, preferably after each use. Make sure that the ventilation openings are free of dust and dirt. Remove very persistent dirt using a soft cloth moistened with soapsuds. Do not use any solvents such as gasoline, alcohol, ammonia, etc. Chemicals such as these will damage the synthetic components.

### Water inlet filter (Fig. A)

The water inlet filter (3) must be inspected regularly, so as to avoid blockage and restriction of the water supply to the pump.

### Cleaning nozzle (Fig. A, F)

When the nozzle is clogged, it may cause failure. The nozzle can be cleaned by inserting the 'cleaning pin' (13) into the tip to remove filth.

### Storage and frost protection

The high pressure cleaner and accessories that are not completely drained can be destroyed by frost. Completely drain the high pressure cleaner and accessories and protect them against frost.

Keep the high pressure cleaner in well-ventilated dry premises with temperature not going below +5°C.

## MALFUNCTION

Should the machine fail to function correctly, a number of possible causes and the appropriate solutions are given below:

### 1. When switched on, the machine will not start working.

- Plug is not well connected or electric socket is faulty.
  - *Check plug, socket and fuse.*
- The mains voltage is lower than the minimum requirement for start up.
  - *Check that the mains voltage is adequate.*

- The pump is stuck.
  - *Refer to after storage instructions. Switch off the unit and let the motor cool.*
- Thermal safety has tripped.
  - *Leave the lance open with water coming through.*

### 2. Fluctuating pressure

- Pump sucking air.
  - *Check that hoses and connections are airtight.*
- Valves dirty, worn out or stuck. Pump seals worn.
  - *Clean and replace or refer to dealer.*

### 3. Water leaking from the pump

- Seals worn out.
  - *Check and replace, or refer to dealer.*

### 4. The motor stops suddenly

- Thermal safety switch has tripped due to overheating.
  - *Check that the mains voltage corresponds to specifications. An extension cable, which is too thin, and too long can cause a voltage drop and cause the motor to overheat. Leave to cool down. Use heavy duty extension cables.*

### 5. The pump does not reach the necessary pressure.

- Water inlet, filter is clogged.
  - *Clean the water inlet filter.*
- Pump sucking air from connections or hoses.
  - *Check that all supply connections are tight.*
- Suction/ delivery valves are clogged or worn out.
  - *Check that the water feeding hose is not leaking.*
- Unloader valve is stuck.
  - *Clear or respire valves.*
- Lance nozzle incorrect or worn out.
  - *Loosen and re-tighten regulation screw check and/ or replace.*



*Repairs and servicing should only be carried out by a qualified technician or service firm.*

**ENVIRONMENT**



*Faulty and/or discarded electrical or electronic apparatus have to be collected at the appropriate recycling locations.*

**Only for EC countries**

Do not dispose of power tools into domestic waste. According to the European Guideline 2012/19/EC for Waste Electrical and Electronic Equipment and its implementation into national right, power tools that are no longer usable must be collected separately and disposed of in an environmentally friendly way.

**WARRANTY**

VONROC products are developed to the highest quality standards and are guaranteed free of defects in both materials and workmanship for the period lawfully stipulated starting from the date of original purchase. Should the product develop any failure during this period due to defective material and/or workmanship then contact VONROC directly.

The following circumstances are excluded from this guarantee:

- Repairs and or alterations have been made or attempted to the machine by unauthorized service centers;
- Normal wear and tear;
- The tool has been abused, misused or improperly maintained;
- Non-original spare parts have been used.

This constitutes the sole warranty made by company either expressed or implied. There are no other warranties expressed or implied which extend beyond the face hereof, herein, including the implied warranties of merchantability and fitness for a particular purpose. In no event shall VONROC be liable for any incidental or consequential damages. The dealers remedies shall be limited to repair or replacement of nonconforming units or parts.

**The product and the user manual are subject to change. Specifications can be changed without further notice.**

**1. SICHERHEITSANWEISUNGEN**

Lesen Sie die beiliegenden Sicherheitsanweisungen, die zusätzlichen Sicherheitsanweisungen sowie diese Bedienungsanleitung sorgfältig durch. Bei Nichtbeachten der Sicherheitsanweisungen und der Bedienungsanleitung kann es zu einem Stromschlag, einem Brand und/oder schweren Verletzungen kommen. Bewahren Sie die Sicherheitsanweisungen und die Bedienungsanleitung zur künftigen Bezugnahme sicher auf.

Folgende Symbole werden im Benutzerhandbuch oder auf dem Produkt verwendet:



*Benutzerhandbuch/Bedienungsanleitung lesen.*



*Bedeutet, dass bei Nichtbeachtung der Anweisungen in dieser Anleitung Verletzungen, Tod oder Beschädigung des Werkzeugs die Folge sein können.*



*Bedeutet, dass die Gefahr eines Stromschlags besteht.*



*Richten Sie den Wasserstrahl NICHT auf Personen und Tiere. Richten Sie den Wasserstrahl NICHT auf das Gerät selbst, auf elektrische Teile oder auf andere elektrische Geräte.*



*Die Maschine ist nicht dazu vorgesehen, an das Trinkwassernetz angeschlossen zu werden.*



*Gerät vor Frost schützen.*



*Schutzisoliert.*



*Produkt vorschriftsmäßig entsorgen, nicht über den Hausmüll.*



*Das Produkt entspricht den geltenden Sicherheitsnormen der europäischen Richtlinien.*

## SICHERHEITSWARNUNGEN

Bei der Verwendung von elektrischen Geräten müssen stets die sicherheitsrelevanten Bestimmungen Ihres Landes eingehalten werden, um die Gefahr von Feuer, Stromschlag und Verletzungen zu vermeiden. Lesen Sie die folgenden Sicherheitshinweise und auch die beiliegenden Sicherheitshinweise.



### **ACHTUNG! Lesen Sie alle Sicherheitshinweise und Anweisungen.**

*Fehler bei der Einhaltung der nachstehend aufgeführten Anweisungen können elektrischen Schlag, Brand und/oder schwere Verletzungen verursachen.*

### Elektrische Sicherheit

- Prüfen Sie immer, ob Ihre Netzspannung mit dem Wert auf dem Typenschild übereinstimmt.
- Beim Austausch alter Kabel und Stecker:
- Werfen Sie alte Kabel oder Stecker sofort weg, sobald sie durch neue ersetzt wurden. Es ist gefährlich, den Stecker eines losen Kabels in die Steckdose zu stecken.
- Verwendung von Verlängerungskabeln:
- Verwenden Sie nur ein zugelassenes Verlängerungskabel, das für die Leistung des Geräts geeignet ist. Die Kerne müssen einen Durchmesser von mindestens 1,5 mm<sup>2</sup> haben. Wenn sich das Verlängerungskabel auf einer Rolle befindet, entrollen Sie es vollständig.
- Alle elektrischen Anschlüsse, z.B. Verlängerungskabel müssen von einem zugelassenen wasserdichten Typ für den Außenbereich und entsprechend gekennzeichnet sein.

### Schalten Sie die Maschine in folgenden Fällen sofort aus:

- Unterbrechung von Netzstecker oder Netzkabel oder Schäden am Netzstecker.
- Defekter Schalter.
- Rauch oder Geruch nach verbrannter Isolierung.

### BESONDERE SICHERHEITSGESETZE

Das BETRIEBS- UND WARTUNGSHANDBUCH ist ein wesentlicher Teil des Reinigungsgeräts und sollte an einem sicheren Ort aufbewahrt werden. Wenn Sie den Reiniger verkaufen, sollte das Handbuch an den neuen Eigentümer übergeben werden.

- Vor der Inbetriebnahme ist darauf zu achten, dass die Wasserzufuhr korrekt erfolgt. Der Betrieb des Reinigers ohne Wasser kann die Dichtungen beschädigen.
- Ziehen Sie den Stecker nicht dadurch ab, dass Sie am Kabel ziehen.
- Wenn Sie zu weit von dem zu reinigenden Objekt entfernt sind, darf der Reiniger nicht dadurch bewegt werden, dass Sie am Hochdruckschlauch ziehen: verwenden Sie den vorhandenen Griff.
- Bei Versionen ohne TSS-Gerät darf der Reiniger nicht länger als 1-2 Minuten mit geschlossener Pistole betrieben werden, da dies die Dichtungen beschädigt.
- Schützen Sie den Reiniger im Winter vor Frost.
- Während des Betriebs dürfen die Belüftungsgitter nicht verdeckt werden.
- Der Querschnitt aller verwendeten Verlängerungskabel muss proportional zu ihrer Länge sein, d.h. je länger das Verlängerungskabel ist, desto größer muss der Querschnitt sein; es sind Kabel mit dem Schutzgrad „IPX5“ zu verwenden.
- Positionieren Sie den Reiniger SO NAH MÖGLICH an der Wasserversorgung.
- Die Verpackung ist leicht zu recyceln und muss im Einklang mit den geltenden Vorschriften des Aufstellungslandes entsorgt werden.
- Verwenden Sie den Reiniger nur mit Zubehör und Ersatzteilen, die vom Hersteller autorisiert wurden. Die Verwendung von Originalzubehör und -ersatzteilen gewährleistet einen sicheren, störungsfreien Betrieb.
- Der Reiniger muss auf einer sicheren, stabilen Oberfläche verwendet werden.
- Vermeiden Sie unbeabsichtigtes Betätigen des Abzugs. Tragen Sie die Gruppe aus Lanze/Abzug nicht mit der Hand über dem Abzug. Verwenden Sie immer den Verriegelungsmechanismus des Abzugs.
- Stellen Sie sicher, dass die Sicherheitsverriegelung des Abzugs aktiviert wird, wenn Sie nicht mehr mit dem Hochdruckreiniger arbeiten, um unabsichtliches Betätigen zu verhindern.
- Lesen Sie alle Anweisungen, bevor Sie das Gerät verwenden.
- Dieses Gerät darf nicht von Kindern benutzt werden. Kinder müssen beaufsichtigt werden, um sicherzustellen, dass sie nicht mit dem

Gerät spielen. Dieses Gerät ist nicht zur Verwendung durch Personen (einschließlich Kinder) mit eingeschränkten physischen, sensorischen oder geistigen Fähigkeiten oder mangelnder Erfahrung und Wissen vorgesehen.

- Die elektrische Versorgungsanschluss muss von einer qualifizierten Person vorgenommen werden und IEC 60364-1 entsprechen. Die Stromversorgung zu diesem Gerät sollte eine Fehlerstromschutzeinrichtung versorgen, die die Versorgung unterbricht, wenn der Ableitstrom gegen Erde mehr als 30 mA beträgt.
- Die Maschine ist für den Einsatz bei einer Temperatur über 0 Grad vorgesehen. (Nur für Geräte mit dem Stromkabel H05VV-F).
- Vorgehen bei Unfällen (z.B. Kontakt mit Reinigungsmitteln: mit viel sauberem Wasser abspülen) oder technischem Defekt, um gefährliche Situationen zu vermeiden.
- Dieses Gerät ist für den Einsatz mit dem Reinigungsmitteln vorgesehen, die vom Hersteller geliefert oder empfohlen wurden. Die Verwendung anderer Reinigungsmittel oder Chemikalien kann sich negativ auf die Sicherheit der Maschine auswirken.
- Empfehlen Sie dem Bediener, einen Gehörschutz zu tragen.
- Verwenden Sie die Maschine nicht in Reichweite von Personen, die keine Schutzkleidung tragen.
- Richten Sie den Strahl nicht auf sich selbst oder andere Personen, um Kleidung oder Schuhe zu reinigen.
- Explosionsgefahr: Versprühen Sie keine brennbaren Flüssigkeiten.
- Für die Sicherheit der Maschine ist es wichtig, Hochdruckschläuche, -armaturen und -kupplungen zu verwenden. Verwenden Sie nur Schläuche, Armaturen und Kupplungen, die vom Hersteller empfohlen wurden.
- Um die Maschinensicherheit zu gewährleisten, verwenden Sie nur Originalersatzteile vom Hersteller oder vom Hersteller zugelassene Teile.
- Wasser, das durch Rückflussverhinderer geflossen ist, wird als nicht trinkbar angesehen.
- Das Gerät muss für seine Reinigung oder Wartung oder beim Wechsel zu einer anderen Funktion von der Stromversorgung getrennt werden, indem Sie den Stecker aus der Steckdose ziehen.
- Halten Sie mindestens 30cm Abstand ein, wenn der Strahl auf lackierte Oberflächen gerichtet wird, um Beschädigungen zu vermeiden.
- Verwenden Sie die Maschine nicht, wenn die Anschlussleitung oder wichtige Teile des Geräts beschädigt sind, z.B. Sicherheitsvorrichtungen, Hochdruckschläuche, Spritzpistole.
- Wenn ein Verlängerungskabel verwendet wird, müssen Buchse und Stecker wasserdicht sein.
- Falsche Verlängerungskabel können gefährlich sein. Wenn ein Verlängerungskabel verwendet wird, muss es für den Außeneinsatz geeignet sein und die Verbindung muss trocken und über dem Boden gehalten werden. Es wird empfohlen, hierzu eine Kabelrolle zu verwenden, die die Buchse mindestens 60mm über dem Boden hält.
- Um eine Gefährdung durch eine unbeabsichtigte Zurücksetzung der Thermosicherung zu vermeiden, darf dieses Gerät nicht durch eine externe Schaltvorrichtung versorgt werden, wie beispielsweise durch einen Timer, oder mit einer Schaltung verbunden werden, die regelmäßig ein- und ausgeschaltet wird.
- Um die Maschinensicherheit zu gewährleisten, verwenden Sie bitte nur Originalersatzteile vom Hersteller (einschließlich der Düse) oder vom Hersteller zugelassene Teile. Verwenden Sie das Gerät erst wieder, wenn Sie beschädigte Teile ausgetauscht haben.
- Seien Sie auf einen kräftigen Rückschlag durch die Sprühanordnung beim Öffnen der Pistole vorbereitet und halten Sie die Pistole daher gut mit den Händen fest.
- Um Verletzungsgefahren zu reduzieren, ist bei Verwendung des Geräts in der Nähe von Kindern besondere Vorsicht nötig. Der Hochdruckreiniger darf nicht von Kindern und ungeübten Personen verwendet werden.
- Informieren Sie sich, wie die Maschine schnell angehalten und der Druck schnell abgelassen wird. Informieren Sie sich gründlich über die Funktion der Steuerelemente.
- Bleiben Sie aufmerksam und achten Sie genau darauf, was Sie tun.
- Betreiben Sie das Gerät nicht, wenn Sie müde sind oder unter dem Einfluss von Alkohol oder Medikamenten stehen.
- Im Arbeitsbereich dürfen sich keine Personen aufhalten.

- Lehnen Sie sich nicht zu weit nach vorne und stellen Sie sich nicht auf einen instabilen Untergrund. Achten Sie jederzeit für festen Stand und Ihr Gleichgewicht.
- Beachten Sie die im Handbuch beschriebenen Wartungsanweisungen.
- Dieses Gerät muss geerdet werden. Bei Ausfällen oder Pannen bietet die Erdung den Weg des geringsten Widerstandes für den elektrischen Strom, und reduziert so das Risiko eines Stromschlags. Der Stecker muss in eine passende Steckdose gesteckt werden, die ordnungsgemäß installiert und entsprechend den gültigen Vorschriften und Gesetzen geerdet ist. Die Nennspannung (V/Hz) des Geräts muss der örtlichen Energieversorgungsspannung entsprechen.
- Wenden Sie sich an einen qualifizierten Elektriker oder Servicemitarbeiter, wenn Sie sich nicht sicher sind, ob die Steckdose ordnungsgemäß geerdet ist. Nehmen Sie keine Änderungen an dem mit der Maschine gelieferten Stecker vor. Wenn er nicht in die Steckdose passt, sollten Sie von einem qualifizierten Elektriker eine passende Steckdose installieren lassen. Verwenden Sie für dieses Gerät keinerlei Adapter.
- Verwenden Sie nur Verlängerungskabel, die für die Verwendung im Freien bestimmt sind und über eine wasserfeste Buchse verfügen. Solche Verlängerungskabel sind wie folgt gekennzeichnet: „Für den Einsatz im Freien geeignet; bei Nichtverwendung trocken lagern.“ Verwenden Sie nur Verlängerungskabel, die eine elektrische Leistung haben, die mindestens so groß ist wie diejenige des Geräts. Verwenden Sie keine beschädigten Verlängerungskabel. Untersuchen Sie Verlängerungskabel vor der Verwendung und tauschen Sie sie bei Beschädigung aus. Falsche Verlängerungskabel können gefährlich sein. Verwenden Sie Verlängerungskabel nur für den vorgesehenen Zweck und ziehen Sie nicht daran, um Kabel voneinander zu trennen. Halten Sie das Kabel von Hitze und scharfen Kanten fern. Trennen Sie immer erst das Verlängerungskabel von der Steckdose, bevor Sie das Gerät vom Verlängerungskabel trennen.
- Um das Risiko eines Stromschlags zu verhindern, darf das Gerät bei Regen oder Gewitter weder gestartet noch betrieben werden. Halten Sie alle Anschlüsse trocken und vom Boden entfernt. Berühren Sie den Stecker nicht mit feuchten Händen. Es ist streng verboten, Wasser in die Maschine laufen zu lassen.
- Wenn die Maschine in Betrieb ist, sorgen Sie bitte für eine konstante Wasserversorgung. Ohne durchlaufendes Wasser werden die Dichtringe der Maschine beschädigt.
- Das Strahlrohr muss ein bis zwei Minuten nach dem Start der Maschine betätigt werden. Andernfalls erreicht die Temperatur des zirkulierenden Wassers in der Maschine schnell einen kritischen Punkt, wodurch die Dichtringe im Gerät beschädigt werden.
- Starten und betreiben Sie das Gerät an nicht extrem kalten Orten, damit weder Wasser noch Geräteteile einfrieren können.
- Diese Maschine wurde nur für den Einsatz von Reinigungswasser konzipiert, verwenden Sie daher keine ätzenden Chemikalien.
- Verwenden Sie nur Reinigungsmittel, die vom Hersteller geliefert oder empfohlen werden.
- Der Hochdruckstrahl kann bei falscher Handhabung gefährlich sein. Der Strahl darf nicht auf Personen, Tiere, unter Spannung stehende elektrische Ausrüstung oder das Gerät selbst gerichtet werden. Druckreiniger sollten nicht auf Reifenwände gerichtet werden, da sie dadurch beschädigt werden können.
- Richten Sie den Strahl nicht auf sich selbst oder andere Personen, um Kleidung oder Schuhe zu reinigen.
- Trennen Sie die Stromversorgung, bevor der durch den Benutzer Wartungsarbeiten vorgenommen werden.
- Wenn das Netzkabel beschädigt ist, muss es durch den Hersteller, seinen Kundendienst oder eine ähnlich qualifizierte Stelle ausgetauscht werden, um Gefährdungen zu vermeiden.
- Verwenden Sie die Maschine nicht, wenn die Anschlussleitung oder wichtige Teile beschädigt sind, z.B. Sicherheitsvorrichtungen, Hochdruckschläuche, Spritzpistole.
- Seien Sie auf den Rückstoß vorbereitet, der beim Einschalten des Geräts durch den Wasserstrahl verursacht wird.
- Wenn das Gerät bewegt oder installiert wird, muss es gerade stehen. Ziehen Sie das Gerät an seinem Griff, um es zu bewegen.
- Schließen Sie die Wasserversorgung an.

Die Geräte sind nicht für den Anschluss an Trinkwasserleitungen vorgesehen. Schließen Sie das Gerät an die Wasserversorgung an. (Das kann z.B. ein Wasserbehälter sein.)

- Verwenden Sie keine beschädigten Rohre. Wenn Sie das Gerät mit einer Trinkwasserleitung verbinden wollen, müssen Sie in der Wasserleitung einen Rückflussverhinderer installieren, damit kein Schmutzwasser zurück in das Trinkwassernetz fließen kann. Der Rückflussverhinderer muss EN 60335-2-79 ANNEX AA entsprechen.

1. Hochdruckreiniger
2. Ein-/Ausschalter
3. Wasserzulaufilter
4. Schlauchhalter
5. Wasserablauf
6. Pistolenhalterung
7. Griff
8. Kabelhalter
9. Sprühpistole
10. Einstellbare Sprühlanze
11. Turbo-Lanze
12. Lanzenverlängerung
13. Reinigungsnadel
14. Reinigungsmitteltank
15. Terrassenreiniger
16. Hochdruckschlauch
17. Reinigungsmittelanpassung
18. Düsenhalter
19. Adapter vom Gewinde zum Schnellanschluss

## 2. ANGABEN ZUM WERKZEUG

### Verwendungszweck

Der Hochdruckreiniger PW503AC eignet sich für die schnelle und effiziente Reinigung von Fahrzeugen, Maschinen, Booten, Gebäuden usw. Reinigen Sie Fahrzeugmotoren nur in Bereichen, in denen geeignete Ölabscheider vorhanden sind.

### TECHNISCHE DATEN

Modellnummer	PW503AC
Spannung	220-240 V~ 50/60Hz
Aufnahmeleistung	2200 W
Max. Druck der Wasserversorgung	12 bar
Max. Wassertemperatur	50 °C
Nenndurchfluss	6.5 l/min
Nenndurchfluss max.	7.5 l/min
Nenndruck	120 bar
Zulässiger Druck	170 bar
Gewicht	12.62 kg
IP-Klasse	IPX5
Schutzklasse	II
Lpa (Schalldruckpegell)	74.6 dB(A) K=3dB(A)
Lwa (Schalleistungspegel)	88.3 dB(A) K=3dB(A)
Max. LwA (Schalleistungspegel)	89 dB(A)
Schwingung	2.089 m/s <sup>2</sup>

### BESCHREIBUNG

Die Ziffern im nachstehenden Text verweisen auf die Abbildungen auf den Seiten 2 bis 5.

## 3. MONTAGE



*Schalten Sie das Gerät vor der Montage aus, und ziehen Sie den Netzstecker aus der Steckdose.*

### Montage von Griff und Schlauchhalter (Abb. A, B1)

1. Montieren Sie Griff (7) und Schlauchhalter (4) wie in Abb. B1 dargestellt.
2. Ziehen Sie die Schrauben fest.

### Montage von Pistolenhalter, Kabelhalter und Düsenhalter (Abb. A, B2)

Montieren Sie Pistolenhalter (6), Kabelhalter (8) und Düsenhalter (18) wie in Abb. B2 dargestellt.

## 4. BETRIEB



*Die Maschine kann beim Starten elektrische Störungen verursachen.*



*Der Motor des Hochdruckreinigers läuft NICHT. Er läuft nur, wenn der Abzug gedrückt wird.*



*Der Reiniger darf nur mit klarem Wasser verwendet werden; der Einsatz von ungefiltertem Wasser oder ätzenden Chemikalien beschädigt das Gerät.*



Wenn der Motor stoppt und nicht neu gestartet werden kann, warten Sie vor dem Neustart 2-3 Minuten. THERMOSICHERUNG AUSGELÖST.

### Einschalten (Abb. A, C)

1. Drehen Sie den Schalter (2) in die Position „OFF/O“.
2. Stellen Sie sicher, dass eine geeignete Wasserversorgung für den Hochdruckreiniger vorhanden ist.
3. Schließen Sie Lanze (10 / 11) an, wie in Abb. C1 dargestellt.
4. Schließen Sie den Hochdruckschlauch (16) wie in Abb. C2 gezeigt mit dem Gerät und die Sprühpistole (9) wie in Abb. C3 gezeigt mit dem Hochdruckschlauch (16).
5. Stellen Sie sicher, dass der Gazefilter (3) nicht verstopft ist, und bringen Sie ihn an der Maschine an, wie in Abb. C4 dargestellt.
6. Schließen Sie den Wasserversorgungsschlauch an.
7. Überprüfen Sie, dass der Schlauch nicht geknickt ist.
8. Drehen Sie das Wasser auf und prüfen Sie das Gerät auf Dichtigkeit.
9. Drücken Sie den Abzug, damit die Luft aus der Pumpe und den Schläuchen entweichen kann, und sperren Sie dann den Abzug, wie in Abb. C5 dargestellt.
10. Verbinden Sie das Gerät mit der Steckdose und stellen Sie den Schalter (2) in die Ein-Stellung.
11. Entsperren Sie den Abzug, wie in Abb. C5 dargestellt, und verwenden Sie den Hochdruckreiniger.

### Terrassenreiniger (Abb. A)

Der Terrassenreiniger (15) eignet sich ideal für die Reinigung von Boden- und Wandflächen aus verschiedenen Materialien wie Holz, Kunststoff, Beton, Fliesen und Naturstein.

1. Schließen Sie die Lanze des Terrassenreinigers wie in Abbildung A gezeigt an den Terrassenreiniger (15) an.
2. Verbinden Sie die Lanzenverlängerung (12) und den Adapter (19) mit dem Terrassenreiniger (15).
3. Verbinden Sie die Kombination mit der Sprühpistole (9).

### Abschalten (Abb. A, C)



Trennen Sie niemals das Hochdruckschlauch (16) vom Gerät, wenn das System noch unter Druck steht.



Schalten Sie IMMER den Motor des Geräts ab, BEVOR Sie die Wasserversorgung abstellen. Es kann schwere Schäden am Motor geben, wenn das Gerät ohne Wasser läuft.

1. Schalten Sie den Motor aus (Schalter (2) in die Aus-Stellung (Off) stellen).
2. Trennen Sie das Gerät von der Stromquelle.
3. Stellen Sie die Wasserversorgung ab.
4. Drücken Sie den Abzug der Pistole (9), um das System drucklos zu machen.
5. Trennen Sie den Schlauch vom Hochdruckreiniger.
6. Aktivieren Sie die Sicherung der Pistole, wie in Abb. C5 dargestellt.
7. Wischen Sie alle Oberflächen des Geräts mit einem feuchten, sauberen Tuch ab.

### Wasserversorgung



Warnung! Dieses Gerät darf nur mit einer Kaltwasserquelle verwendet werden!

- Achten Sie auf eine geeignete Wasserversorgung für den Hochdruckreiniger. Überprüfen Sie, ob alle Anschlüsse dicht sind und der Schlauch keine undichten Stellen aufweist.
- Der Zufuhrhahn sollte vollständig geöffnet werden (schalten Sie den Hochdruckreiniger noch nicht ein).
- Drücken Sie dann den Abzug (zuerst entsperren), um Wasser durch das Gerät fließen zu lassen und Luft zu beseitigen.
- Schalten Sie den Hochdruckreiniger ein, sobald die Luft entfernt ist und das Wasser das Ende der Lanze erreicht hat.

### Einstellen der Düse (Abb. A, D)

- Das Wasser kann aus der Düse entweder als Strahl oder in Fächerform gesprüht werden. Schalten Sie zuerst den Druck ein und stellen Sie die Düse ein.

### Einstellen des Arbeitsdrucks (Abb. A, E)

Der Arbeitsdruck kann durch Drehen der Hülse am Ende der Düse eingestellt werden.

- Drehen Sie die Hülse im Uhrzeigersinn, um den Arbeitsdruck zu erhöhen.



- Drehen Sie die Hülse gegen den Uhrzeigersinn, um den Arbeitsdruck zu verringern.

#### Verwenden von Reinigungsmitteln (Abb. A, E1)

Mit dem integrierten Reinigungsmittelspender lassen sich verschiedene flüssige Reinigungsmittel auf die zu bearbeitende Fläche auftragen. Die Reinigungsmittelauftragung erfolgt nur bei niedrigem Druck.

- Bringen Sie die einstellbare Düse (10) an der Pistole (9) an.
- Stellen Sie die Düse (10) auf die niedrige Druckeinstellung ein "☸".
- Nehmen Sie den Deckel des Reinigungsmittelspenders (14) ab und füllen Sie nur flüssiges Reinigungsmittel ein. Geben Sie kein Wasser in den Behälter. Der Hochdruckreiniger mischt Wasser und Reinigungsmittel automatisch. Nach dem Auftragen des Reinigungsmittels auf die zu reinigende Fläche können Sie es mit der hohen Druckeinstellung entfernen "☸". Im Hochdruckbetrieb gibt der Hochdruckreiniger kein Reinigungsmittel ab.

#### Anpassen der Reinigungsmittelmenge (Abb. A, E2)

Zum Anpassen der Menge an Reinigungsmittel, die mit dem Wasser vermischt wird, drehen Sie den Reinigungsmittelknopf (17).

- Drehen Sie ihn nach links, um die Menge des zugegebenen Reinigungsmittels zu verringern.
- Drehen Sie ihn nach rechts, um die Menge des zugegebenen Reinigungsmittels zu erhöhen.

## 5. WARTUNG



Schalten Sie das Gerät vor der Reinigung und Wartung immer aus, und ziehen Sie den Netzstecker aus der Steckdose.

Reinigen Sie das Werkzeuggehäuse regelmäßig mit einem weichen Lappen, vorzugsweise nach jeder Verwendung. Stellen Sie sicher, dass die Lüftungsöffnungen frei von Staub und Schmutz sind. Entfernen Sie anhaftenden Schmutz mit einem weichen Lappen, der leicht mit Seifenwasser befeuchtet wurde. Verwenden Sie keine Lösungsmittel wie Benzin, Alkohol, Ammoniak usw., da Chemikalien dieser Art die Kunststoffteile beschädigen.

#### Wasserzulauffilter (Abb. A)

Der Wasserzulauffilter (3) muss regelmäßig überprüft werden, um Verstopfungen und Einschränkungen der Wasserversorgung der Pumpe zu vermeiden.

#### Reinigen der Düse (Abb. A, F)

Eine verstopfte Düse kann zum Ausfall des Geräts führen. Sie können Schmutz aus der Düse entfernen, indem Sie die „Reinigungsnadel“ (13) in die Spitze einführen.

#### Lagerung und Frostschutz

Wenn Flüssigkeiten nicht vollständig aus dem Hochdruckreiniger und dem Zubehör abgelassen werden, können die Geräte durch Frost zerstört werden. Entleeren Sie Hochdruckreiniger und Zubehör daher vollständig und schützen Sie sie vor Frost.

Bewahren Sie den Hochdruckreiniger an einem gut belüfteten, trockenen Ort auf, an dem die Temperatur nicht unter +5°C fällt.

#### FEHLFUNKTIONEN

Sollte das Gerät nicht einwandfrei funktionieren, finden Sie nachfolgend mögliche Ursachen und die entsprechenden Lösungen:

##### 1. Nach dem Einschalten funktioniert das Gerät nicht.

- Der Stecker ist nicht richtig eingesteckt oder die Steckdose ist defekt.
  - *Überprüfen Sie Stecker, Steckdose und Sicherung.*
- Die Netzspannung ist niedriger als die Mindestanforderung für das Starten des Geräts.
  - *Überprüfen Sie, ob die Netzspannung angemessen ist.*
- Die Pumpe sitzt fest.
  - *Beachten Sie die Anweisungen für das Vorgehen nach der Lagerung des Geräts. Schalten Sie das Gerät aus und lassen Sie den Motor abkühlen.*
- Thermische Sicherung hat ausgelöst.
  - *Lassen Sie die Lanze offen und Wasser herausfließen.*

##### 2. Schwankender Druck

- Pumpe saugt Luft.
  - *Überprüfen, ob Schläuche und Anschlüsse luftdicht sind.*

- Ventile sind verschmutzt, abgenutzt oder stecken fest. Pumpendichtungen abgenutzt.
  - *Reinigen und ersetzen, oder Händler kontaktieren.*

### 3. Wasser tritt aus der Pumpe aus

- Dichtungen abgenutzt.
  - *Überprüfen und ersetzen, oder Händler kontaktieren.*

### 4. Der Motor stoppt plötzlich

- Thermoschutzschalter hat wegen Überhitzung abgeschaltet.
  - *Überprüfen, ob die Netzspannung den Spezifikationen entspricht. Ein Verlängerungskabel, das zu dünn und zu lang ist, kann einen Spannungsabfall verursachen und dazu führen, dass der Motor überhitzt. Abkühlen lassen. Hochleistungsverlängerungskabel verwenden.*

### 5. Die Pumpe erreicht nicht den erforderlichen Druck

- Wasserzulaufilter verstopft.
  - *Wasserzulaufilter reinigen.*
- Pumpe saugt Luft von Anschlüssen oder Schläuchen.
  - *Überprüfen, ob alle Versorgungsanschlüsse dicht sind.*
- Saug-/Druckventile sind verschmutzt oder abgenutzt.
  - *Prüfen, ob der Wasserzufuhrschlauch dicht ist.*
- Entlastungsventil steckt fest.
  - *Ventile säubern.*
- Lanzendüse fehlerhaft oder abgenutzt.
  - *Regelschraube lösen und wieder festziehen, überprüfen und/oder ersetzen.*



*Reparatur- und Wartungsarbeiten dürfen nur von einem qualifizierten Techniker oder Dienstleister durchgeführt werden.*

## UMWELTSCHUTZ



*Schadhafte und/oder zu entsorgende elektrische oder elektronische Werkzeuge und Geräte müssen an den dafür vorgesehenen Recycling-Stellen abgegeben werden.*

### Nur für EG-Länder

Entsorgen Sie Elektrowerkzeuge nicht über den Hausmüll. Entsprechend der EU-Richtlinie 2012/19/ EG über Elektro- und Elektronik-Altgeräte sowie der Umsetzung in nationales Recht müssen Elektrowerkzeuge, die nicht mehr im Gebrauch sind, getrennt gesammelt und umwelt-schonend entsorgt werden.

## GARANTIE

VONROC-Produkte werden nach den höchsten Qualitätsstandards entwickelt und sind für den gesetzlich festgelegten Zeitraum, ausgehend von dem ursprünglichen Kaufdatum, garantiert frei von Fehlern in Material und Ausführung. Sollte das Produkt in diesem Zeitraum aufgrund von Materialund/ oder Verarbeitungsmängeln Fehler aufweisen, wenden Sie sich bitte direkt an VONROC Kundendienst.

Folgende Umstände sind von der Garantie ausgeschlossen:

- Reparaturen und oder Änderungen an der Maschine, die durch nicht-autorisierte Servicetechniken vorgenommen oder versucht wurden.
- Normale Abnutzung und Verschleiß.
- Das Werkzeug wurde übermäßig beansprucht, missbräuchlich verwendet oder falsch gewartet.
- Es wurden keine Original-Ersatzteile verwendet.

Dies stellt die einzige Gewährleistung des Unternehmens dar, sowohl ausdrücklich als auch implizit. Es gibt keine anderen ausdrücklichen oder stillschweigenden Garantien, die über das hier Genannte hinausgehen, einschließlich der stillschweigenden Garantien der Marktgängigkeit oder Eignung für einen bestimmten Zweck. In keinem Fall ist VONROC haftbar für Neben- oder Folgeschäden. Die Rechtsmittel des Händlers beschränken sich auf Reparatur oder Ersatz fehlerhafter Einheiten oder Teile.

**Am Produkt und am Benutzerhandbuch können Änderungen vorgenommen werden. Die technischen Daten können sich ohne Vorankündigung ändern.**

## 1. VEILIGHEIDSVOORSCHRIFTEN

Lees de bijgesloten veiligheidswaarschuwingen, de aanvullende veiligheidswaarschuwingen en de instructies. Het niet opvolgen van de veiligheidswaarschuwingen kan elektrische schokken, brand en/of ernstig letsel tot gevolg hebben. Bewaar de veiligheidswaarschuwingen en instructies als naslagwerk voor later.

De volgende symbolen worden gebruikt in de gebruikershandleiding of op het product:



*Lees de gebruikershandleiding.*



*Gevaar voor lichamelijk letsel of materiele schade wanneer de instructies in deze handleiding niet worden opgevolgd.*



*Gevaar voor elektrische schok.*



*Richt de waterstraal NOOIT op mensen of dieren. Richt de waterstraal NOOIT richting op de unit zelf, de elektrische onderdelen of andere elektrische apparatuur.*



*De machine is niet bedoeld om aangesloten te worden op de drinkwatervoorziening.*



*Apparaat tegen vorst beschermen.*



*Dubbel geïsoleerd.*



*Werp het product niet weg in ongeschikte containers.*



*Het product is in overeenstemming met de van toepassing zijnde veiligheidsnormen in de Europese richtlijnen.*

### VEILIGHEIDSWAARSCHUWINGEN

Bij het gebruik van elektrische machines dient u ten alle tijden de veiligheidsregels in acht te nemen die van toepassing is in uw land om het risico op brand, elektrische schok en persoonlijk letsel. Lees de volgende veiligheidsinstructies en de bijgesloten veiligheidsinstructies.



**WAARSCHUWING! Lees alle veiligheids-  
waarschuwingen en alle instructies. Het  
niet opvolgen van onderstaande instructies  
kan leiden tot een elektrische schok, brand  
en/of ernstig persoonlijk letsel.**

#### Elektrische veiligheid

- Controleer altijd of uw voltage correspondeert met de waarde op de typeplaat.
- Bij het vervangen van oude kabels of stekker:
- Gooi oude kabels of stekkers direct weg zodra u deze heeft vervangen door nieuwe. Het is gevaarlijk om de stekker van een losse kabel in een stopcontact te steken.
- Bij het gebruik van verlengkabels:
- Gebruik alleen een goedgekeurde verlengkabel die geschikt is voor de machinevoeding. De kernen moeten een diameter hebben van minimaal 1,5 mm<sup>2</sup>. Als de verlengkabel op een haspel zit, rol dan de kabel in zijn geheel uit.
- Alle elektrische verbindingen zoals een verlengkabel moet goedgekeurd en waterbestendig zijn voor outdoor gebruik en zo zijn aangemerkt.

#### Schakel de machine direct uit wanneer:

- Onderbreking van de netstekker kan leiden tot schade.
- Een kapotte schakelaar.
- Rook of geur van verschroeidheid.

#### SPECIFIEKE VEILIGHEIDSREGELS

De GEBRUIK en ONDERHOUD handleiding maakt een essentieel onderdeel uit van de schoonmaak-uitrusting en moet op een veilige plek bewaard worden voor toekomstig gebruik. Als u de reiniger verkoopt, dient u de handleiding aan de nieuwe eigenaar te geven.

- Verzekeer u ervan dat de reiniger op de juiste manier van water voorzien wordt, voordat u deze aanzet. Gebruik van de reiniger zonder water kan de zegels beschadigen.
- Haal de stekker er niet uit door aan de elektriciteitskabel te trekken.
- Als u zich te ver van het te reinigen object bevindt, verplaats de reiniger dan niet door de trekken aan de hogedrukspuit, maar gebruik de handgreep.
- In de versies die niet uitgerust zijn met een TSS apparaat, gebruik de reiniger dan niet langer dan 1-2 minuten met het pistool gesloten om-

- dat dit de afdichting kan beschadigen.
- Bescherm de reiniger tegen bevriezing in de winter.
  - Zorg ervoor dat de ventilatierooster vrij blijven tijdens het gebruik.
  - De kabeldoorsnede van verlengkabels moet in proportie zijn ten opzichte van de kabellengte. Hoe langer de verlengkabel is, des te langer de kabeldoorsnede. Bij een grotere kabeldoorsnede. De kabels die gebruikt moeten worden moeten van beveiligingsniveau „IPX5” zijn.
  - Plaats de reiniger ZO DICHTBIJ MOGELIJK bij de watertoevoer.
  - De verpakking is eenvoudig recyclebaar en moet weggegooid worden volgens de wet- en regelgeving in het land van installatie.
  - Gebruik de reiniger uitsluitend met de bijhorende accessoires en vervangingsonderdelen die goedgekeurd zijn door de fabrikant. Door de originele accessoires en vervangingsonderdelen te gebruiken bent u verzekerd van een veilig, probleemloos gebruik.
  - De reiniger moet gebruikt worden op een veilige, stabiele ondergrond.
  - Vermijd het onopzettelijk indrukken van de trekker. Draag de lans/trekker nooit met uw hand op de trekker. Maak altijd gebruik van de startvergrendeling.
  - Verzeker u ervan dat het beveiligingsslot op de trekker inschakelt als u klaar bent met het gebruik van de drukreiniger, om onopzettelijk indrukken te voorkomen.
  - Lees alle instructies voor ingebruikname van de machine.
  - Machines moeten niet geopereerd worden door kinderen. Kinderen moeten onder toezicht staan om te verzekeren dat ze niet kunnen spelen met de machine. Deze machine moet niet worden gebruikt door personen (inclusief kinderen) met verminderde fysieke of sensorische vermogens, of gebrek aan ervaring en kennis.
  - De elektrische stroomtoevoer moet worden aangelegd door een gekwalificeerd persoon en in overeenstemming zijn met IEC 603641. De elektrische toevoer van deze machine moet een foutstroombeveiliging bevatten die de toevoer van van stroom onderbreekt als lekkende stroom naar de aarde 30 mA overschrijdt.
  - De machine is bedoeld voor gebruik boven de 0 graden. (Alleen voor machines met een stroomkabel van H05VV-F).
  - Wat de doen in het geval van een ongeluk (bijv. contact met schoonmaakmiddelen): spoelen met ruim schoon water) of uitschakelen om onveilige situaties te voorkomen.
  - Deze machine is geschikt voor gebruik met de schoonmaakmiddelen die geleverd of aangeraden worden door de fabrikant. Het gebruik van andere middelen kan een ongewenst effect hebben op de veiligheid van de machine.
  - Het wordt aanbevolen voor de gebruiker van de machine om gehoorbescherming te gebruiken.
  - Gebruik het apparaat niet binnen het bereik van mensen die geen beschermende kleding dragen.
  - Richt de waterstraal niet direct op uzelf of andere om kleding of schoenen schoon te spuiten.
  - Ontploffingsgevaar - spuit niet met ontvlambare vloeistoffen.
  - Hogedrukslangen, aansluitingen en koppelstukken zijn belangrijk voor de veiligheid van de machine. Gebruik alleen slangen, aansluitingen en koppelstukken die worden aanbevolen door de fabrikant.
  - Om de veiligheid van de machine te verzekeren, dient u alleen originele onderdelen of onderdelen die goedgekeurd zijn door de fabrikant te gebruiken.
  - Water dat door de terugslagklep heeft gestroomd is niet meer drinkbaar.
  - De machine moet worden afgesloten van de stroomvoorziening door de stekker uit het stopcontact te halen tijdens het schoonmaken of onderhoud en bij het vervangen van de machine voor een ander functie.
  - Probeer op een afstand van tenminste 30 cm. bij het gebruik van de straal om geschilderde oppervlakken te reinigen om beschadiging van het schilderwerk te voorkomen.
  - Gebruik de machine niet als een stroomkabel of andere belangrijke onderdelen van de machine beschadigd zijn, bijvoorbeeld veiligheidsapparaten, hogedrukslangen en startpistool.
  - Als een bestaande kabel wordt gebruikt dan moet de stekker en het stopcontact waterbestendig zijn.
  - Verkeerde verlengkabels kunnen gevaarlijk zijn. Als er een verlengkabel gebruikt wordt dan moet deze geschikt zijn voor outdoor gebruik en de verbinding moet droog en boven de grond gehouden worden. Het wordt aanbevolen om een kabelhaspel te gebruiken die het stopcontact

tenminste 60mm boven de grond houdt.

- Om letsel te vermijden als gevolg van onbedoeld resetten van de thermische uitval, moet dit apparaat niet worden aangestuurd door een extern schakelapparaat zoals een timer en niet worden aangesloten op een circuit dat regelmatig aan- en uit geschakeld wordt.
- Om de veiligheid van de machine te verzekeren mogen alleen originele onderdelen (inclusief spuitstuk) of onderdelen die goedgekeurd zijn door de fabrikant gebruikt worden. In het geval van beschadiging mag de machine niet gebruikt worden voordat deze zijn vervangen.
- Pas op voor het gevaar van de terugslag van de straal bij het openen van het startpistool en houdt het pistool stevig vast met uw handen.
- Om het risico van verwonding te verminderen, is strikt toezicht nodig als u de machine gebruikt in de buurt van de kinderen. De hogedrukreiniger mag niet gebruikt worden door kinderen of ongetrainde personen.
- Zorg dat u weet hoe u de machine kunt stoppen en de druk snel kunt laten teruglopen. Zorg dat u bekend bent met de bediening.
- Blijf alert en kijk wat u doet.
- Hanteer de machine niet als u vermoeid of onder invloed van alcohol of drug bent.
- Houd de werkplek vrij van personen.
- Overstrek uzelf niet en ga niet op een instabiele ondergrond staan. Sta altijd stevig en gebalanceerd op de vlakke grond.
- Volg de onderhoudsinstructies in de handleiding.
- Deze machine moet op de vlakke grond staan. Als er een defect of storing optreedt, dan is aarding het pad van de minste weerstand voor elektrische stroom om het risico op elektrische schok te verminderen. De stekker moet in een geschikt contact gestoken worden dat op de juiste manier geïnstalleerd is in overeenstemming met de lokale code en verordeningen. Het voltage (V/Hz) van de machine moet in overeenstemming zijn met het voltage van de lokale stroomtoevoer.
- Controleer met een gecertificeerde elektricien of servicemedewerker als u niet zeker weet of het stopcontact geaard is. Maak geen aanpassingen aan de stekker die is meegeleverd met de machine. Als de stekker niet in het stopcontact past, zorg dan voor een geschikt contact met een gekwalificeerde elektricien. Gebruik niet zomaar elke adapter met deze machine.
- Gebruik alleen verlengkabels die geschikt zijn voor outdoor-gebruik en het stopcontact dient waterdicht te zijn. Deze verlengkabels zijn voorzien van een markering „Geschikt voor gebruik met outdoor machines; binnen bewaren indien niet in gebruik.” Gebruik alleen verlengkabels die een elektrisch vermogen hebben dat niet minder is dan het vermogen van de machine. Gebruik geen beschadigde verlengkabels. Controleer de verlengkabel voordat u deze gebruikt en vervang de kabel indien deze beschadigd is. Onjuiste verlengkabels kunnen gevaarlijk zijn. Wees voorzichtig met de verlengkabel en trek niet aan de kabel om deze los te koppelen. Houd de kabel uit de buurt van hitte en scherpe randen. Maak de verlengkabel altijd los van de opvangbak voordat u de machine loskoppelt van de verlengkabel.
- Om het risico op elektrocutie te voorkomen, dient u de machine niet aan te zetten als het regent of stormt. Houd alle aansluitingen droog en weg van de grond. Raak de stekker niet aan met natte handen. Het is strikt verboden om water te laten lekken in de machine.
- Zorg voor een constante watervoorziening als de machine aan staat. Zonder watercirculatie raakt de afdichting van de machine beschadigd.
- De lanstraal moet binnen een of twee minuten nadat de machine gestart is aangezet worden. Anders kan de temperatuur van het circulerende water in de machine stijgen tot een kritiek punt, wat schade veroorzaakt aan de afdichtingsringen in de machine.
- Start de machine niet in een plek waar het erg koud is om te voorkomen dat de stroom bevroert.
- Deze machine is ontworpen voor gebruik met water, gebruik geen bijtende chemicaliën.
- Gebruik het schoonmaakmiddel dat meegeleverd is of aangeraden wordt door de fabrikant.
- Hogedrukstralen kunnen gevaarlijk zijn als ze verkeerd gebruikt worden. De straal mag nooit gericht worden op personen, dieren, elektrische uitrusting of de machine zelf. Hogedrukreinigers mogen niet gericht worden op de flank van een autoband omdat deze beschadigd zouden kunnen raken.
- Richt de straal niet direct op uzelf of andere om kleding of schoenen schoon te spuiten.
- Koppel de stroom af voordat u onderhoud uitvoert.
- Als de netkabel beschadigd is moet deze vervangen worden door de fabrikant of serviceme-

dewerkers of een ander gekwalificeerd persoon om risico's te voorkomen.

- Gebruik de machine niet als een stroomkabel of andere belangrijke onderdelen van de machine beschadigd zijn, zoals veiligheidsapparaten, hogedrukslangen en startpistool.
- Houdt rekening met de terugslag van de waterstraal als de machine aangezet wordt.
- Als de machine beweegt en geïnstalleerd wordt, moet de machine plat zijn. De machine moet verplaatst worden door aan de handgreep te trekken.
- Aansluiten op de watervoorziening. De machines zijn niet geschikt voor aansluiting op de een draagbare watervoorziening. Sluit de machine aan op de watervoorziening. (dit kan een watertank zijn).
- Gebruik de pijp niet als de pijp beschadigd is. Als u de machine aansluit aan de draagbare hoofdkraan, moet u een terugslagklep installeren in de waterpijp om het teruglopen van smerig water in de waterleiding te voorkomen. De terugslagklep moet in overeenstemming zijn met EN 60335-2-79 ANNEX AA.

## 2. TECHNISCHE INFORMATIE

### Bedoeld gebruik

De PW503AC hogedrukreiniger is een snelle en efficiënte oplossing voor het reinigen van voertuigen, machines, boten, gebouwen enz. Reinig voertuigen alleen op plaatsen waar zich geschikte olie-afscheiders bevinden.

### TECHNISCHE SPECIFICATIES

Model Nr.	PW503AC
Voltage	220-240 V~ 50/60Hz
Ingangsvermogen	2200 W
Max. druk watertoevoer	12 bar
Max. watertemperatuur	50 °C
Nominale waterdoorstroming	6.5 l/min
Max. waterdoorstroming	7.5 l/min
Nominale druk	120 bar
Max. druk	170 bar
Gewicht	12.62 kg
IP klasse	IPX5
Beschermingsklasse	II

Lpa (geluidsdruk niveau)	74.6 dB(A) K=3dB(A)
Lwa (geluidsvermogen niveau)	88.3 dB(A) K=3dB(A)
Max. Lwa (geluidsvermogen niveau)	89 dB(A)
Vibratie	2.089 m/s <sup>2</sup>

### BESCHRIJVING

De nummers in de tekst verwijzen naar de illustraties op pagina 2-5.

1. Hogedrukreiniger
2. Aan/Uit-schakelaar
3. Waterinlaatfilter
4. Slanghouder
5. Water-uitgang
6. Pistoolhouder
7. Handgreep
8. Kabelhouder
9. Spuitpistool
10. Verstelbare spuitlans
11. Turbo spuitlans
12. Lansverlenging
13. Reinigingsnaald
14. Schoonmaakmiddelreservoir
15. Terrasreiniger
16. Hogedrukslang
17. Afstelling van schoonmaakmiddel
18. Spuitmondhouder
19. Adapter van draad naar snelsluiting

## 3. ASSEMBLAGE



*Schakel vóór montage altijd de machine uit en verwijder de netstekker uit het stopcontact.*

### Montage van de handgreep en de slanghouder (Afb. A, B1)

1. Monteer handgreep (7) en slanghouder (4) zoals wordt getoond in Afb. B1.
2. Draai de schroeven vast.

### Montage van de pistoolhouder, kabelhouder en spuitmondhouder (Afb. A, B2)

Monteer pistoolhouder (6), kabelhouder (8) en spuitmondhouder (18) zoals wordt getoond in Afb. B2.

## 4. GEBRUIK



*De machine kan elektrische storingen veroorzaken bij het starten.*



*De motor van deze hogedrukreiniger draait NIET. Deze werkt alleen als de trekker wordt ingedrukt.*



*De reiniger kan alleen gebruikt worden met schoon water, het gebruik van ongefilterd water of bijtende substanties beschadigen de reiniger.*



*Als de motor stop en niet meer start, wacht dat 2-3 minuten voordat u het opnieuw probeert. THERMISCHE UITVAL GESPRONGEN.*

### Inschakelen (Afb. A, C)

1. Draai de schakelaar (2) naar de stand "OFF/0".
2. Zorg voor een goede aanvoer van water voor de voeding van de hogedrukreiniger.
3. Sluit de lans (10 / 11) aan, zoals is weergegeven in Afb. C1.
4. Sluit de hogedrukslang (16) aan op de ring zoals wordt getoond in Afb. C2 en sluit het sproeipistool (9) aan op de hogedrukslang (16) zoals wordt getoond in Afb. C3.
5. Controleer dat het metaalgaasfilter (3) vrij is van blokkades en monteer het op de machine, zoals is weergegeven in Afb. C4.
6. Sluit de waterslang aan.
7. Controleer dat er geen knikken in de slang zitten.
8. Zet de wateraanvoer open en controleer op lekkages.
9. Knijp de trekker in zodat de lucht door de pomp en de slangen naar buiten wordt gedreven, vergrendel de trekker, zoals is weergegeven in Afb. C5.
10. Sluit de machine aan en zet de schakelaar (2) in de aan-stand.
11. Ontgrendel de trekker, zoals is weergegeven in Afb. C5, en gebruik de hogedrukreiniger.

### Terrasreiniger (Afb. A)

De terrasreiniger (15) is bij uitstek geschikt voor het reinigen van de vloer en de wanden die zijn gemaakt van verschillende materialen, zoals hout, kunststof, beton, tegels en natuursteen.

1. Sluit de lans van de terrasreiniger aan op de terrasreiniger (15), zoals wordt getoond in afbeelding A.
2. Sluit het verlengstuk van de lans (12) en de adapter (19) aan op de terrasreiniger (15).
3. Sluit het geheel aan op het spuitpistool (9).

### Uitschakelen (Afb. A, C)



*Koppel de hogedrukslang (16) nooit los van de machine terwijl er nog druk op het systeem staat.*



*Zet de motor ALTIJD uit VOORDAT u de watertoevoer uitzet. De motor kan beschadigd raken als deze loopt zonder water.*

1. Zet de motor uit (duw de schakelaar (2) in de uitstand).
2. Ontkoppel de unit van de stroomvoorziening.
3. Draai de watervoorziening dicht.
4. Druk de trekker van het pistool (9) in zodat de druk uit het systeem kan ontsnappen.
5. Koppel de tuinslang los van de hogedrukreiniger.
6. Breng de veiligheidsvergrendeling van het pistool aan, zoals is weergegeven in Afb. C5.
7. Maak alle oppervlakken van de unit schoon met een vochtige, schone doek.

### Watertoevoer



*Waarschuwing! Deze unit kan alleen gebruikt worden met koud water!*

- Verzekert u ervan dat u een juiste watertoevoer heeft om de druk in de reiniger te voeden. Controleer of alle verbindingen vast zitten en er geen lekken in de slang zitten.
- De kraan dient geheel open te staan (zet de reiniger nog niet aan).
- Vervolgens drukt u de trekker in (ontgrendel eerst het pistoolveiligheidsslot) om water door de unit te laten lopen en lucht te verwijderen.
- Druk op de hogedrukreiniger zodra alle lucht verwijderd is en het water het einde van de spuitlans bereikt heeft.

### De spuitmond aanpassen (Afb. A, D)

- Het water kan uit de mond gespoten worden in een lineaire vorm of in waaivorm. Schakel eerst de druk in en pas dan de spuitmond aan.

**De werkdruk aanpassen (Afb. A, E)**

U kunt de werkdruk aanpassen door de mof aan het uiteinde van de spuitmond te draaien.

- Draai de mof naar rechts als u de werkdruk wilt verhogen.
- Draai de mof naar links als u de werkdruk wilt verlagen.

**Schoonmaakmiddelen gebruiken (Afb. A, E1)**

Met de ingebouwde schoonmaakmiddel-dispenser kunt u allerlei vloeibare schoonmaakmiddelen op het werkoppervlak aanbrengen.

Schoonmaakmiddel wordt uitsluitend onder lage druk aangebracht.

- Sluit de verstelbare spuitmond (10) aan op het pistool (9).
- Stel de spuitmond (10) af in een stand voor lage druk "84".
- Neem de dop van het schoonmaakmiddelen-reservoir (14) en vul de dispenser uitsluitend met een vloeibaar schoonmaakmiddel. Doe geen water in het reservoir. De hogedrukreiniger mengt automatisch water en schoonmaakmiddel. Wanneer u geen schoonmaakmiddel op het werkoppervlak wilt aanbrengen, kunt u het schoonmaakmiddel in de stand "8" voor hoge druk wegsputten. In de stand voor hoge druk geeft de hogedrukreiniger geen schoonmaakmiddel af.

**De dosering van het schoonmaakmiddel aanpassen (Afb. A, E2)**

U kunt de verhouding schoonmaakmiddel en water aanpassen door de schoonmaakmiddelknop (17) te draaien.

- Draai naar links als u minder schoonmaakmiddel wilt toevoegen.
- Draai naar rechts als u meer schoonmaakmiddel wilt toevoegen.

**5. ONDERHOUD**

*Koppel de kabel los van de stroomvoorziening voordat u onderhoud uitvoert of de machine klaar maakt voor opslag.*

Reinig de machinebehuizing regelmatig met een zachte doek, bij voorkeur iedere keer na gebruik. Zorg dat de ventilatiesleuven vrij van stof en vuil zijn. Gebruik bij hardnekkig vuil een zachte doek bevochtigd met zeepwater. Gebruik geen

oplosmiddelen als benzine, alcohol, ammonia, etc. Dergelijke stoffen beschadigen de kunststof onderdelen.

**Waterinlaatfilter (Afb. A)**

Het waterinlaatfilter (3) regelmatig worden geïnspecteerd, zodat blokkades en beperking van de watertoevoer naar de pomp worden vermeden.

**Spuitmond reinigen (Afb. A, F)**

Wanneer de spuitmond is verstopt, kan dat leiden tot een storing. U kunt de spuitmond reinigen door de 'reinigingsnaald' (13) in de tip te steken en vuil te verwijderen.

**Opslag en bescherming tegen vorst**

Wanneer u niet alle water uit de hogedrukreiniger en accessoires laat lopen, kunnen zij ernstig worden beschadigd door de vorst. Laat alle water uit de hogedrukreiniger en de accessoires lopen zodat zij beschermd zijn tegen de vorst.

Berg de hogedrukreiniger op in een goed geventileerde, droge ruimte waar de temperatuur niet daalt onder +5°C.

**STORING**

Als de machine niet correct functioneert dan zijn er een aantal mogelijke oorzaken. Hieronder worden een aantal passende oplossingen gegeven:

**1. De machine is ingeschakeld, maar start niet.**

- De stekker is niet goed aangesloten of het stopcontact is defect.
  - *Controleer de stekker, het stopcontact en de zekering.*
- Het voltage is lager dan de minimale vereiste om op te starten.
  - *Controleer of het voltage juist is.*
- De pomp is defect.
  - *Ga naar de instructies voor na-opslag instructies. Zet de unit uit en laat de motor afkoelen.*
- De thermische beveiliging is gesprongen.
  - *Laat de spuitlans open en laat het water doorstromen.*

**2. Fluctuerende druk**

- De pomp zuigt lucht aan.
  - *Controleer of de slangen en verbindingen luchtdicht zijn.*



- De kleppen zijn vervuild, versleten of vastgelopen. De pompafdichting is versleten.
  - *Maak dit schoon of ga naar de dealer.*

### 3. Het water lekt uit de pomp

- De afdichting is versleten.
  - *Controleer en vervang of ga naar de dealer.*

### 4. De motor stopt plotseling.

- De thermische bedieningsschakelaar is gesprongen als gevolg van oververhitting.
  - *Controleer of het voltage juist is. Een verlengkabel die te dun en lang is kan een voltageverlies veroorzaken en de motor oververhitten. Laat het afkoelen. Gebruik intensieve verlengkabel.*

### 5. De pomp bereikt niet de benodigde druk.

- Watertoevoer, filter is verstopt.
  - *Maak de watertoevoerfilter schoon.*
- De pomp zuigt lucht van verbindingen of slangen.
  - *Controleer of de slangen en verbindingen vastzitten.*
- Zuiging en lever kleppen zijn verstopt of versleten.
  - *Controleer of de waterslang niet lekt.*
- Onlaadklep zit vast.
  - *Maak de kleppen vrij.*
- De spuitlans is niet juist of versleten.
  - *Maak de schroef los en draai opnieuw aan. Controleer en/of vervang.*



*Reparaties en service kan alleen worden uitgevoerd door een gekwalificeerde technicus of servicebedrijf.*

## MILIEU



*Defecte en/of afgedankte elektrische of elektronische gereedschappen dienen ter verwerking te worden aangeboden aan een daarvoor verantwoordelijke instantie.*

### Uitsluitend voor EG-landen

Werp elektrisch gereedschap niet weg bij het huisvuil. Conform de Europese Richtlijn 2012/19/EG voor Afgedankte Elektrische en Elektronische Apparatuur en de implementatie ervan in nationaal recht moet niet langer te gebruiken elektrisch gereedschap gescheiden worden verzameld en op een milieuvriendelijke wijze worden verwerkt.

## GARANTIE

VONROC producten zijn ontworpen volgens de hoogste kwaliteitsstandaarden en gegarandeerd vrij van defecten, zowel materieel als fabrieksfouten, tijdens de wettelijk vastgestelde garantieperiode vanaf de eerste aankoopdatum. Mocht het product tijdens deze periode gebreken vertonen veroorzaakt door defecte materialen en/of fabrieksfouten, neem dan rechtstreeks contact op met VONROC.

De volgende situaties vallen niet onder de garantie:

- Er zijn reparaties of aanpassingen aan de machine uitgevoerd, of er is een poging daartoe ondernomen, door een nietgeautoriseerd servicecentrum.
- Normale slijtage.
- De machine is misbruikt, verkeerd gebruikt of slecht onderhouden.
- Er zijn niet-originele reserveonderdelen gebruikt.

Dit vormt de enige garantie opgesteld door het bedrijf zowel expliciet als impliciet. Er bestaan geen andere garanties expliciet of impliciet welke verder gaan dan deze garantie, inclusief impliciete garanties van verkoopbaarheid en geschiktheid voor bepaalde doeleinden. In geen enkel geval kan VONROC aansprakelijk worden gesteld voor incidentele schade of gevolgschade. Reparaties van dealers zijn gelimiteerd tot de reparatie of vervanging van defecte producten of onderdelen.

**Het product en de gebruikershandleiding zijn onderhevig aan wijzigingen. Specificaties kunnen zonder opgaaf van redenen worden gewijzigd.**

## 1. CONSIGNES DE SÉCURITÉ

En plus des avertissements de sécurité suivants, veuillez également lire les avertissements de sécurité additionnels ainsi que les instructions. Le non-respect des avertissements de sécurité et des instructions peut entraîner une décharge électrique, un incendie et/ou des blessures graves. Veuillez conserver les avertissements de sécurité et les instructions pour consultation ultérieure.

Les symboles suivants sont utilisés dans le manuel d'utilisation ou apposés sur le produit:



*Lisez le manuel d'utilisation.*



*Indique un risque de blessure, perte de vie ou endommagement de l'outil possibles, en cas de non-respect des consignes de ce manuel.*



*Indique un risque de choc électrique.*



*NE dirigez PAS le jet d'eau vers des personnes ou des animaux. NE dirigez PAS le jet d'eau vers l'appareil lui-même, les pièces électriques ou d'autres équipements électriques.*



*La machine n'est pas conçue pour être raccordée au réseau d'eau potable.*



*Mettez l'appareil à l'abri du gel.*



*Double isolation.*



*Ne jetez pas le produit dans des conteneurs qui ne sont pas prévus à cet effet.*



*Le produit est conforme aux normes de sécurité en vigueur spécifiées dans les directives européennes.*

### AVERTISSEMENTS DE SÉCURITÉ

Lorsque vous utilisez des machines électriques, respectez toujours la réglementation applicable en matière de sécurité dans votre pays, afin de réduire les risques d'incendie, de choc électrique ou de blessure. Lisez les consignes de sécurité suivantes ainsi que celles jointes.



**AVERTISSEMENT! Veuillez lire l'intégralité des avertissements de sécurité et des instructions.** Le nonrespect de toutes les instructions indiquées cidessous peut entraîner un risque de choc électrique, d'incendie et/ou de blessures graves.

#### Sécurité électrique

- Vérifiez toujours que la tension de votre réseau correspond à la tension indiquée sur la plaque signalétique.
- Si vous remplacez les câbles ou les prises usagés:
- Jetez les câbles et les prises usagées immédiatement après les avoir remplacés par des neufs. Il est dangereux de brancher la prise d'un câble endommagée dans une prise de courant.
- Si vous utilisez des rallonges de câble:
- N'utilisez qu'une rallonge recommandée, correspondant à la puissance de la machine. L'âme du câble doit avoir un diamètre d'au moins 1,5 mm<sup>2</sup>. Si la rallonge est sur un enrouleur, déroulez-le entièrement.
- Tous les raccords électriques, de la rallonge par exemple, doivent être de type étanches à l'eau pour une utilisation en extérieure et être marqués en conséquence.

#### Eteignez immédiatement la machine en cas de:

- Défaillance de la prise secteur ou celle du câble d'alimentation, endommagement du câble d'alimentation.
- Défaillance de l'interrupteur.
- Fumée ou odeur de brûlé provenant d'un isolant.

### CONSIGNES DE SÉCURITÉ PARTICULIÈRES

Le manuel d'UTILISATION et de MAINTENANCE fait partie intégrante du nettoyeur et il doit être conservé dans un lieu sûr pour pouvoir s'y référer dans le futur. Si vous vendez le nettoyeur, le manuel doit être remis au nouveau propriétaire.

- Avant de démarrer le nettoyeur, assurez-vous qu'il est correctement alimenté en eau. L'utilisation du nettoyeur sans eau peut endommager les joints.
- Ne débranchez pas la prise en tirant sur le câble électrique.
- Si vous êtes trop loin de l'objet à nettoyer, ne déplacez pas le nettoyeur en tirant sur le tuyau

- à haute pression ; utilisez la poignée existante.
- Pour les versions qui ne sont pas équipées du dispositif TSS, ne faites pas fonctionner le nettoyeur plus de 1 à 2 minutes pistolet fermé, cela pourrait endommager les joints.
- Protégez le nettoyeur du gel pendant l'hiver.
- N'obstruez pas les grilles d'aération pendant le fonctionnement.
- La section des rallonges utilisées doit être proportionnelle à leur longueur. Cela signifie que plus le câble est long, plus la section doit être importante. Des câbles d'un niveau de protection „IPX5” doivent être utilisés.
- Placez le nettoyeur AUSSI PRES QUE POSSIBLE de l'alimentation en eau.
- L'emballage est recyclable et doit être jeté conformément à la réglementation en vigueur dans le pays d'utilisation.
- N'utilisez le nettoyeur qu'avec des accessoires et des pièces détachées approuvés par le fabricant. L'utilisation d'accessoires et de pièces détachées d'origine garantissent un fonctionnement sûr et durable.
- Le nettoyeur doit être utilisé, posé sur une surface sûre et stable.
- Evitez le déclenchement involontaire de la gâchette. Ne portez pas l'ensemble lance/gâchette, le doigt posé sur la gâchette. Utilisez toujours le mécanisme de verrouillage de la gâchette.
- Assurez-vous d'utiliser le verrou de sécurité de la gâchette lorsque vous avez fini de vous servir du nettoyeur, afin d'éviter toute mise en marche accidentelle.
- Lisez toutes les consignes avant d'utiliser la machine.
- Les machines ne doivent pas être utilisées par les enfants. Les enfants doivent être surveillés afin de s'assurer qu'ils ne jouent pas avec la machine. Cette machine n'est pas conçue pour être utilisée par des personnes (dont les enfants) ux capacités physiques, sensorielles ou mentales déficientes ou manquant d'expérience et de connaissances.
- Le raccordement à l'alimentation électrique doit être réalisée par une personne qualifiée et être conforme à la norme CEI 60364-1. L'alimentation électrique de cette machine doit inclure un disjoncteur différentiel qui coupe le courant en cas de courant de fuite par la prise de terre supérieure à 30 mA.
- La machine est prévue pour être utilisée à une température supérieure à 0°. (Machine avec cordon électrique H05VV-F uniquement).
- La méthode de fonctionnement à suivre en cas d'accident (ex : contact avec du détergent: rincez abondamment à l'eau claire) ou de panne afin d'éviter les situations dangereuses.
- Cette machine a été conçue pour être utilisée avec le détergent fourni ou recommandé par le fabricant. L'utilisation d'autres détergents ou produits chimiques peut nuire à la sécurité de la machine.
- Conseillez à l'utilisateur de porter des protections auditives.
- N'utilisez pas la machine à portée de personnes, à moins qu'elles ne portent des vêtements de protection.
- Ne dirigez pas directement le jet vers vous-même ou d'autres personnes pour nettoyer les vêtements ou les chaussures.
- Risque d'explosion, ne vaporisez pas de liquides inflammables.
- Les tuyaux à haute pression, les fixations et les raccords sont essentiels à la sécurité de la machine. N'utilisez que des tuyaux, fixations et raccords recommandés par le fabricant.
- Pour garantir la sécurité de la machine, n'utilisez que des pièces détachées d'origine provenant du fabricant ou recommandées par lui.
- L'eau passée à travers les disconnecteurs est considérée comme étant non-potable.
- La machine doit être débranchée de sa source d'alimentation électrique en retirant la prise de la prise de courant pendant le nettoyage ou la maintenance ou lors du remplacement de la machine pour une autre fonction.
- Conservez une distance d'au moins 30 cm lorsque vous utilisez le jet pour nettoyer des surfaces peintes, afin d'éviter d'endommager la peinture.
- N'utilisez pas la machine si le cordon d'alimentation ou des pièces importantes de la machine sont endommagés, ex : dispositifs de sécurité, pistolet à gâchette.
- Si vous utilisez une rallonge, sa prise et la prise murale doivent être étanches à l'eau.
- Des rallonges inadéquates peuvent être dangereuses. Si vous utilisez une rallonge, elle doit être adaptée à une utilisation à l'extérieur et les branchements doivent rester au sec et au

dessus du sol. Pour ce faire, il est recommandé d'utiliser un enrouleur qui maintienne la prise à au moins 60 mm au dessus du sol.

- Afin d'éviter un risque dû à la réinitialisation intempestive du coupe-circuit thermique, cet appareil ne doit pas être alimenté par un interrupteur externe, comme un minuteur par exemple, ou être raccordé à un circuit régulièrement activé et désactivé par le circuit général.
- Pour garantir la sécurité de la machine, n'utilisez que des pièces détachées d'origine (buses comprises) provenant du fabricant ou recommandées par lui. N'utilisez pas la machine avant de les avoir remplacées si elles sont endommagées.
- Prenez garde au danger dû à la puissance du recul sur le dispositif de pulvérisation en déclanchant le pistolet à gâchette et tenez fermement le pistolet.
- Afin de réduire le risque de blessure, une surveillance accrue est nécessaire si la machine est utilisée près d'enfants. Le nettoyeur à haute pression ne doit pas être utilisé par des enfants ou des personnes non formées.
- Vous devez savoir comment rapidement arrêter et réduire la pression de la machine. Familiarisez-vous avec les commandes.
- Restez vigilant et concentré sur ce que vous faites.
- N'utilisez pas la machine si vous êtes fatigué ou sous l'influence d'alcool ou de médicaments.
- Conservez la zone d'intervention exempte de toute personne.
- Ne vous penchez pas et ne vous tenez pas sur des surfaces instables. Gardez tout le temps une position stable et équilibrée.
- Respectez les consignes de maintenance spécifiées dans le manuel.
- Cette machine doit être reliée à la terre. En cas de dysfonctionnement ou de panne, la mise à la terre fournit au courant électrique un passage de moindre résistance afin de réduire le risque de choc électrique. La prise doit être branchée dans une prise secteur appropriée, correctement installée et mise à la terre conformément à tous les codes ou règlements locaux. La tension nominale (V/Hz) de la machine doit être conforme à la tension électrique d'alimentation locale.
- Vérifiez auprès d'un électricien ou d'un réparateur qualifiés si vous n'êtes pas sûr que la prise est correctement reliée à la terre. Ne modifiez pas la prise fournie avec la machine. Si elle ne rentre pas dans la prise de courant, faites remplacer cette dernière par un électricien qualifié. N'utilisez aucun autre type d'adaptateur avec la machine.
- N'utilisez que des rallonges prévues pour être utilisées à l'extérieur dont la prise est étanche à l'eau. Ce type de rallonges est identifié par un marquage „Compatible pour un usage avec des machines d'extérieur. Gardez à l'intérieur quand elle n'est pas utilisée.” N'utilisez que des rallonges dont la valeur électrique nominale n'est pas inférieure à celle de la machine. N'utilisez pas de rallonges endommagées. Contrôlez la rallonge avant de l'utiliser et remplacez-la si elle est endommagée. Des rallonges inadéquates peuvent être dangereuses. N'utilisez pas de rallonges de façon abusive et ne tirez sur aucun cordon pour les débrancher. Maintenez le cordon éloigné de sources de chaleur et d'arêtes tranchantes. Débranchez toujours la rallonge de la prise de courant avant de débrancher la machine de la rallonge.
- Afin de réduire le risque d'électrocution, ne démarrez et n'utilisez pas la machine sous la pluie ou en cas d'orage. Conservez tous les branchements au sec et au dessus du sol. Ne manipulez pas la prise les mains mouillées. Il est strictement interdit de laisser couler de l'eau dans la machine.
- Lorsque la machine est en marche, maintenez constante l'alimentation en eau. Sans circulation d'eau, les joints d'étanchéité de la machine peuvent être endommagés.
- Il est nécessaire d'activer la lance deux ou trois minutes après avoir démarré la machine. Dans le cas contraire, la température de l'eau circulant à l'intérieur de la machine atteint rapidement un niveau critique, ce qui risque d'endommager les joints d'étanchéité à l'intérieur de la machine.
- Ne démarrez et n'utilisez pas la machine dans un lieu trop froid afin d'éviter qu'elle ne gèle.
- Cette machine a été conçue pour n'utiliser que de l'eau de lavage, n'utilisez pas de produits chimiques corrosifs.
- Utilisez le détergent fourni ou recommandé par le fabricant.

- Les jets à haute pression peuvent être dangereux s'ils sont mal utilisés. Le jet ne doit pas être directement dirigé vers des personnes, des animaux, des équipements électriques sous tension ou la machine elle-même. Les nettoyeurs sous pression ne doivent pas être pointés sur les murs carrelés car il est possible de les endommager.
- Ne dirigez pas directement le jet vers vous-même ou d'autres personnes pour nettoyer les vêtements ou les chaussures.
- Débranchez la machine de l'alimentation électrique avant d'en effectuer la maintenance relevant de l'utilisateur.
- Si le câble d'alimentation est endommagé et afin d'éviter tout risque, il doit être remplacé par le fabricant ou l'un de ses représentants ou par une personne de même qualification.
- N'utilisez pas la machine si le cordon d'alimentation ou des pièces importantes sont endommagés, ex : dispositifs de sécurité, tuyaux à haute pression, pistolet à gâchette.
- Prenez garde au recul provoqué par le jet d'eau au moment de la mise en marche de la machine.
- La machine doit être à plat pour être déplacée et installée. Utilisez la poignée pour déplacer la machine.
- Raccordez l'alimentation en eau. Les machines ne sont pas adaptées pour un raccordement au réseau d'eau potable. Raccordez la machine à l'alimentation en eau. (Il peut s'agir d'un réservoir d'eau).
- Si vous souhaitez raccorder cette machine au réseau d'eau potable, vous devez installer un disconnecteur dans le tuyau d'eau afin d'éviter que de l'eau sâle soit refoulée dans le système d'eau potable. Le disconnecteur doit être conforme à la norme EN 60335-2-79 ANNEXE AA.

## 2. INFORMATIONS RELATIVES À LA MACHINE

### Utilisation prévue

Le nettoyeur à haute pression PW503AC sert à rapidement et efficacement nettoyer les véhicules, machines, bateaux, bâtiments, etc. Ne nettoyez les moteurs de véhicules que dans des zones où des récupérateurs d'huile appropriés sont installés.

## SPÉCIFICATIONS TECHNIQUES

N° de modèle	PW503AC
Tension	220-240 V~ 50/60Hz
Puissance absorbée	2200 W
Alimentation en eau, pression max.	12 bar
Température de l'eau max.	50 °C
Débit nominal	6.5 l/min
Débit d'eau max	7.5 l/min
Pression nominale	120 bar
Pression admissible	170 bar
Poids	12.62 kg
Classe IP	IPX5
Classe de protection	II
Lpa (pression acoustique)	74.6 dB(A) K=3dB(A)
Lwa (puissance acoustique)	88.3 dB(A) K=3dB(A)
Max. Lwa (puissance acoustique)	89 dB(A)
Vibration	2.089 m/s <sup>2</sup>

## DESCRIPTION

Les numéros dans le texte se rapportent aux schémas des pages 2-5.

1. Nettoyeur haute pression
2. Interrupteur Marche/Arrêt
3. Filtre d'arrivée d'eau
4. Porte-tuyau
5. Sortie d'eau
6. Support de pistolet
7. Poignée
8. Porte-câble
9. Pistolet pulvérisateur
10. Lance réglable
11. Lance turbo
12. Rallonge de lance
13. Aiguille de nettoyage
14. Réservoir à détergent
15. Nettoyeur pour patios
16. Flexible haute pression
17. Réglage détergent
18. Porte-buse
19. Adaptateur pour raccord rapide

### 3. MONTAGE



*Avant le montage, mettez toujours la machine hors tension et débranchez la fiche de la prise secteur.*

#### Installer la poignée et le porte-tuyau (Fig. A, B1)

1. Installer la poignée (7) et le porte-tuyau (4) comme illustré par la Fig. B1.
2. Serrez les vis.

#### Installer le porte-pistolet et le porte-câble et le porte-buse (Fig. A, B2)

Installer le porte-pistolet (6), le porte-câble (8) et le porte-buse (18), comme illustré par la Fig. B2.

### 4. FONCTIONNEMENT



*La machine peut provoquer des perturbations électriques au démarrage.*



*Le moteur de ce nettoyeur à haute pression NE fonctionnera PAS. Il ne se met en marche que lorsque la gâchette est enfoncée.*



*Le nettoyeur ne doit être utilisé qu'avec de l'eau propre. L'utilisation d'eau non filtrée ou de produits chimiques corrosifs peut endommager le nettoyeur.*



*Si le moteur s'arrête et ne redémarre pas, patientez 2 à 3 minutes avant de le redémarrer. COUPE-CIRCUIT THERMIQUE DECLENCHE.*

#### Mise en marche (Fig. A, C)

1. Tournez l'interrupteur (2) sur la position "ARRÊT/0".
2. Assurez-vous d'une alimentation en eau adaptée pour alimenter le nettoyeur haute pression.
3. Raccordez la lance (10 / 11), comme illustré à la Fig. C1.
4. Raccordez le tuyau haute pression (16) à l'appareil, comme illustré par la Fig. C2 et raccordez le pistolet de pulvérisation (9) au tuyau haute pression (16), comme illustré par la Fig. C3.
5. Contrôlez que le filtre à tamis (3) est propre et installez-le sur la machine, comme illustré à la Fig. C4.

6. Raccordez le tuyau d'alimentation en eau.
7. Contrôlez que le tuyau n'est pas entortillé.
8. Ouvrez l'arrivée d'eau et contrôlez l'absence de fuite.
9. Enfoncez la gâchette pour expulser l'air de la pompe et des tuyaux, verrouillez la gâchette, comme illustré à la Fig. C5.
10. Branchez la machine et tournez l'interrupteur (2).
11. Déverrouillez la gâchette, comme illustré à la Fig. C5, et utilisez le nettoyeur haute pression.

#### Nettoyeur pour patios (Fig. A)

Le nettoyeur pour patios (15) est idéalement adapté pour le nettoyage des sols et des murs de différentes matières, bois, plastique, béton, carrelage ou pierre naturelle.

1. Raccordez la lance du nettoyeur pour patios à l'appareil (15), comme illustré par la figure A.
2. Raccordez la rallonge de la lance (12) et l'adaptateur (19) au nettoyeur pour patios (15).
3. Raccordez l'ensemble au pistolet de pulvérisation (9).

#### Extinction (Fig. A, C)

*Ne débranchez jamais le tuyau haute pression (16) de la machine, tant que le système est sous pression.*



*Éteignez TOUJOURS le moteur de l'appareil AVANT de couper l'arrivée d'eau. Le moteur peut être gravement endommagé si l'appareil fonctionne sans eau.*

1. Éteignez le moteur (enfoncez l'interrupteur (2) jusqu'à la position Arrêt).
2. Débranchez l'appareil de la source d'alimentation électrique.
3. Coupez l'arrivée d'eau.
4. Appuyez sur la gâchette du pistolet (9) pour dépressuriser le système.
5. Débranchez le tuyau d'arrosage du nettoyeur haute pression.
6. Enclenchez le verrou de sécurité du pistolet, comme illustré à la Fig. C5.
7. Essayez toutes les surfaces de l'appareil à l'aide d'un chiffon humide propre.

#### Alimentation en eau



*Cet appareil ne doit être utilisé qu'avec de l'eau froide!*

- Assurez-vous de disposer d'une alimentation en eau appropriée pouvant alimenter le nettoyeur à haute pression. Vérifiez que tous les raccords sont serrés et qu'il n'y a aucune fuite sur le tuyau.
- Le robinet d'arrivée d'eau doit être complètement ouvert (n'allumez pas encore le nettoyeur à haute pression).
- Enfoncez alors la gâchette (déverrouillez-la d'abord) pour laisser couler l'eau à travers l'appareil et expulser l'air éventuel.
- Allumez le nettoyeur à haute pression une fois tout l'air expulsé et que l'eau arrive à l'extrémité de la lance.

#### Réglage de la buse (Fig. A, D)

- L'eau peut être projetée hors de la buse de façon linéaire ou en forme d'éventail. Lancez la pression puis réglez la buse.

#### Régler la pression de service (Fig. A, E)

Il est possible de régler la pression de service en tournant la bague à l'extrémité de la buse.

- Tournez la bague dans le sens des aiguilles d'une montre pour augmenter la pression.
- Tournez la bague dans le sens inverse des aiguilles d'une montre pour diminuer la pression.

#### Utiliser des détergents (Fig. A, E1)

Le distributeur de détergent intégré vous permet d'utiliser différents types de détergents liquides sur la surface à traiter. L'utilisation de détergent n'est possible qu'à faible pression.

- Raccordez la buse réglable (10) au pistolet (9).
- Réglez la buse (10) à la pression la plus faible "8/4".
- Retirez le cache du réservoir à détergent (14) et remplissez le réservoir de détergent liquide uniquement. Ne mettez pas d'eau dans le réservoir. Le nettoyeur haute pression mélange automatiquement de l'eau avec le détergent. Après avoir appliqué le détergent sur la surface à traiter, il est possible d'arrêter la pulvérisation du détergent en réglant l'appareil à sa pression la plus haute "9/4". En mode Haute pression, le nettoyeur à haute pression ne libère pas de détergent.

#### Régler la quantité de détergent (Fig. A, E2)

Pour régler la quantité de détergent à mélanger à l'eau, vous pouvez tourner le bouton Détergent (17).

- Tournez à gauche pour diminuer la quantité de détergent ajoutée.
- Tournez à droite pour augmenter la quantité de détergent ajoutée.

## 5. ENTRETIEN



*Avant le nettoyage et l'entretien, mettez toujours la machine hors tension et débranchez la fiche de la prise secteur.*

Nettoyez le corps de la machine régulièrement au moyen d'un chiffon doux, de préférence après chaque utilisation. Vérifiez que les ouvertures d'aération ne sont pas obstruées ni sales. Utilisez un chiffon doux légèrement humidifié avec de la mousse de savon pour nettoyer les taches persistantes. N'utilisez pas de produits de nettoyage tels que l'essence, l'alcool, l'ammoniac, etc.; ces produits peuvent endommager les parties synthétiques.

#### Filtre d'arrivée d'eau (Fig. A)

Le filtre d'arrivée d'eau (3) doit être inspecté régulièrement afin d'éviter tout blocage ou diminution de l'arrivée d'eau jusqu'à la pompe.

#### Nettoyer la buse (Fig. A, F)

L'encrassement de la buse peut provoquer une défaillance. La buse peut être nettoyée en insérant "l'aiguille de nettoyage" (13) dans la pointe pour en retirer la saleté.

#### Stockage et protection contre le gel

Le nettoyeur haute pression et ses accessoires peuvent geler s'ils ne sont pas complètement vidangés. Vidangez complètement le nettoyeur haute pression et ses accessoires et protégez-les contre le gel.

Conservez le nettoyeur haute pression dans un local bien aéré dont la température ne descend pas sous +5°C.

#### DYSFONCTIONNEMENT

Des causes possibles et des solutions adaptées vous sont données ci-dessous au cas où la machine ne fonctionne pas correctement:

**1. Même allumée, la machine ne démarre pas.**

- La prise n'est pas bien enfoncée ou la prise électrique est défectueuse.
  - Vérifiez la prise, la prise murale et le fusible.
- La tension du réseau est inférieure au minimum requis pour le démarrage.
  - Vérifiez que la tension du réseau est suffisante.
- La pompe est coincée.
  - Référez-vous aux instructions concernant la sortie d'hivernage. Eteignez l'appareil et laissez le moteur refroidir.
- Le coupe-circuit thermique s'est déclenché.
  - Laissez la lance ouverte et l'eau en sortir.

**2. Pression fluctuante**

- La pompe aspire de l'air.
  - Vérifiez que les tuyaux et les raccords sont étanches à l'air.
- Les vannes sont sales, usées ou coincées. Les joints de la pompe sont usés.
  - Nettoyez et réinstallez ou faites appel au revendeur.

**3. De l'eau fuit par la pompe**

- Les joints sont usés.
  - Nettoyez et réinstallez ou faites appel au revendeur.

**4. Le moteur s'arrête de façon soudaine**

- Le coupe-circuit thermique s'est déclenché à cause d'une surchauffe.
  - Vérifiez que la tension du réseau correspond aux spécifications. Une rallonge trop fine ou trop longue peut provoquer une chute de tension et une surchauffe du moteur. Laissez refroidir. Utilisez des rallonges très résistantes.

**5. La pompe n'atteint pas la pression nécessaire.**

- Arrivée d'eau, filtre obstrués.
  - Nettoyez le filtre d'arrivée d'eau.
- La pompe aspire de l'air par les raccords ou les tuyaux.
  - Vérifiez que les raccords d'alimentation sont étanches.
- Les vannes d'aspiration/d'alimentation sont bouchées ou usées.
  - Vérifiez que le tuyau d'alimentation en eau ne fuit pas.

- La vanne de décharge est coincée.
  - Dégagez les vannes.
- Buse de lance incorrecte ou usée.
  - Dévissez et revissez la vis de régulation, contrôlez et/ou remplacez.



Les opérations de réparation et de remise en service ne doivent être réalisées que par un technicien qualifié ou une entreprise de réparation.

**ENVIRONNEMENT**

Les équipements électroniques ou électriques défectueux ou destinés à être mis au rebut doivent être déposés aux points de recyclage appropriés.

**Only for EC countries**

Uniquement pour les pays de l'UE Ne jetez pas les outils électriques avec les déchets domestiques. Selon la Directive européenne 2012/19/CE relative aux déchets d'équipements électriques et électroniques et sa mise en oeuvre dans le droit national, les outils électriques hors d'usage doivent être collectés séparément et mis au rebut de manière écologique.

**GARANTIE**

Les produits VONROC sont développés aux plus hauts standards de qualité et ils sont garantis contre les défauts de pièces et de main d'oeuvre pendant la durée légale stipulée à partir de la date d'achat d'origine du produit. En cas d'une quelconque panne du produit pendant cette durée qui serait due à un défaut matériel et/ou de main d'oeuvre, contactez directement VONROC.

Les circonstances suivantes ne sont pas prises en charge par la garantie:

- Des réparations ou altérations ont été effectuées ou tentées sur la machine par un centre de réparation non agréé.
- L'usure normale.
- L'outil a été maltraité, mal utilisé ou mal entretenu.
- Des pièces détachées non d'origine ont été utilisées.

Ceci constitue l'unique garantie accordée par la société explicitement ou implicitement. Il n'existe aucune autre garantie, explicite ou implicite, qui



peut s'étendre au delà du contenu ici présent, y compris les garanties marchandes ou d'adaptation à des fins particulières. En aucun cas VONROC ne sera tenu responsable de dommages accidentels ou consécutifs. Les solutions proposées par les revendeurs devront se limiter à la réparation ou le remplacement des éléments ou pièces non conformes.

**Le produit et le manuel d'utilisation sont sujets à modifications. Les spécifications peuvent changer sans préavis.**

## 1. INSTRUCCIONES DE SEGURIDAD

Lea las advertencias de seguridad, las advertencias de seguridad adicionales y las instrucciones adjuntas. De no respetarse las advertencias de seguridad y las instrucciones, podrían producirse descargas eléctricas, incendios y/o lesiones graves. Conserve las advertencias de seguridad y las instrucciones para su posterior consulta.

Los siguientes símbolos se utilizan en el manual de usuario o en el producto:



*Lea el manual de usuario.*



*Denota riesgo de lesiones personales, pérdida de vida o daños a la herramienta en caso de incumplimiento de las instrucciones del presente manual.*



*Indica peligro de descarga eléctrica.*



*NO dirija el chorro de agua hacia personas o animales.  
NO dirija el chorro de agua hacia la unidad, las piezas eléctricas u otros dispositivos eléctricos.*



*La máquina no ha sido concebida para ser conectada a la red de agua potable.*



*Proteja el aparato contra el hielo.*



*Doble aislamiento.*



*No tire el producto en contenedores no apropiados.*



*El producto es conforme con las normas de seguridad vigentes en las Directivas Europeas.*

### ADVERTENCIAS DE SEGURIDAD

Tenga siempre presentes las normas de seguridad locales con respecto al peligro de incendio, peligro de sufrir descargas eléctricas y peligro de accidentes. Lea, además de las instrucciones que siguen a continuación, las normas de seguridad que aparecen en el cuadernillo anexo.



**PRECAUCIÓN!** Lea todas las advertencias de seguridad y todas las instrucciones. Si no lo hace, el uso indebido puede acarrear cortocircuitos, fuego o lesiones graves.

### Seguridad eléctrica

- Controle que la tensión de la red sea la misma que la que aparece indicada en la placa.
- Recambio de cables y enchufes.
- Si la red eléctrica de cables resulta dañada, se debe sustituir con una red de cables especial que se puede obtener del fabricante o del servicio de atención al cliente. Deshágase de los cables o clavijas antiguos inmediatamente después de sustituirlos por los nuevos. Es peligroso conectar a un enchufe la clavija de un cable suelto.
- Uso de cables de extensión.
- Utilice siempre cables de extensión autorizados que sean aptos para la potencia del aparato. Los hilos deben tener un diámetro de 1,5 mm<sup>2</sup>. Cuando el cable de extensión esté en un carrete, desenrolle el cable comp.
- Extensión Todas las conexiones eléctricas por ejemplo cable, debe ser de un aprobado a prueba de agua escribir para uso en exteriores y marcado en consecuencia.

### Apague inmediatamente la máquina en los siguientes casos:

- Interrupción del enchufe o el conductor de alimentación de red o daño del conductor de alimentación de red.
- Interruptor defectuoso.
- Humo u olor de aislamiento quemado.

### NORMAS DE SEGURIDAD ESPECIALES

El manual de USO y MANTENIMIENTO constituye una parte esencial de la hidrolimpiadora y debe conservarse en un lugar seguro para su futura consulta. Si vende la hidrolimpiadora, debe entregar el manual al nuevo propietario.

- Antes de empezar a limpiar, compruebe que la recepción de agua sea correcta. Utilizar la hidrolimpiadora sin agua puede dañar las juntas.
- No desconecte el enchufe tirando del cable de corriente.
- Si está demasiado alejado del objeto que desea limpiar, no acerque la hidrolimpiadora tirando de la manguera de presión, use la empuñadura suministrada.
- En versiones no equipadas con el dispositivo

TSS, no utilice la hidrolimpiadora más de 1 o 2 minutos con la pistola cerrada porque se pueden dañar las juntas.

- Proteja la hidrolimpiadora del congelamiento durante el invierno.
- No obstruya las rejillas de ventilación durante el funcionamiento.
- Las sección cruzada de cualquier cable de prolongación utilizado debe ser proporcional a su longitud; es decir que, cuanto más largo sea el cable de prolongación, mayor deberá ser la sección cruzada. Deben utilizarse cables con un nivel de protección "IPX5".
- Coloque la hidrolimpiadora LO MÁS CERCA POSIBLE del suministro de agua.
- El embalaje es fácilmente reciclable y debe eliminarse de conformidad con las normas en vigor en el país de instalación.
- Use la hidrolimpiadora solo con los accesorios y las piezas de repuesto autorizados por el fabricante. El uso de accesorios y de piezas de repuesto originales asegura un funcionamiento seguro y sin problemas.
- La hidrolimpiadora debe usarse sobre una superficie segura y estable.
- Evite disparar en modo no intencional el gatillo. No transporte el conjunto de la lanza o el gatillo teniendo el dedo apoyado en el gatillo. Use siempre el mecanismo de bloqueo del gatillo.
- Compruebe que el bloqueo de seguridad del gatillo esté activado cuando deje de usar la hidrolimpiadora a presión, para evitar el funcionamiento accidental.
- Lea las instrucciones antes de usar la máquina.
- Las máquinas no deben ser usadas por los niños. Los niños siempre deben estar supervisados para constatar que no jueguen con la máquina. Esta máquina no ha sido concebida para ser usada por personas (incluidos los niños) con capacidades físicas, sensoriales o mentales reducidas, o que carezcan de experiencia y conocimientos sobre su uso.
- La conexión de la alimentación eléctrica deberá ser realizada por una persona cualificada, de conformidad con la norma IEC 60364-1. El suministro eléctrico de esta máquina deberá incluir un dispositivo diferencial residual que interrumpa el suministro si la pérdida de corriente a tierra excede los 30 mA durante 30 ms, o un dispositivo que compruebe el circuito a tierra.

- La máquina ha sido concebida para ser usada a una temperatura superior a 0 grados. (Solo para la máquina con cable de corriente de H05VV-F).
- Deberá seguirse el modo operativo en caso de accidente (p. ej., en caso de contacto con detergentes: aclare con abundante agua limpia) o avería, para prevenir situaciones de inseguridad.
- Esta máquina ha sido diseñada para ser usada con el producto limpiador suministrado o recomendado por el fabricante. El uso de otros productos de limpieza o sustancias químicas puede afectar a la seguridad de la máquina.
- Se recomienda que el operador use protectores auditivos.
- No use la máquina cerca de otras personas, salvo que usen ropa protectora.
- No dirija el chorro contra usted mismo ni hacia otras personas para limpiar la ropa o el calzado.
- Riesgo de explosión - No rocíe líquidos inflamables.
- Las mangueras, accesorios y acoplamientos de alta presión son importantes para la seguridad de la máquina. Use solo las mangueras, accesorios y acoplamientos recomendados por el fabricante.
- Para garantizar la seguridad de la máquina, use solo las piezas de repuesto originales del fabricante o autorizadas por el fabricante.
- El agua que fluye por los obturadores de reflujo se considera no potable.
- La máquina se desconecta de la fuente de alimentación sacando el enchufe de la toma de corriente durante la limpieza o el mantenimiento y al cambiar la máquina a otra función.
- Mantenga una distancia de al menos 30 cm cuando use el chorro para limpiar superficies pintadas, para no dañar la pintura.
- No use la máquina si el cable de alimentación o alguna pieza importante de la máquina están dañados, p. ej. los dispositivos de seguridad, las mangueras de presión o el disparador.
- Si se usa un cable de prolongación, la toma y el enchufe deben ser estancos al agua.
- Los cables de prolongación inadecuados pueden ser peligrosos. Si usa un cable de prolongación, debe ser apto para uso en exteriores, y la conexión debe mantenerse seca y alejada del suelo. Se recomienda que esté formado por un carrete de cable que mantenga el enchufe a por lo menos 60 mm por encima del suelo.
- Para evitar el riesgo de un restablecimiento inadvertido del disyuntor térmico, el aparato no debe estar alimentado por un dispositivo de conmutación externo, como un temporizador, ni conectado a un circuito que apague o encienda regularmente la unidad.
- Para garantizar la seguridad de la máquina, use solo las piezas de repuesto (incluidas las boquillas) originales del fabricante o aprobadas por el fabricante. No use la máquina antes de cambiarlas si están dañadas.
- Tenga cuidado del peligro que suponen las fuerzas de contragolpe del conjunto rociador al abrir el disparador, y aferre bien la pistola con ambas manos.
- Para reducir el riesgo de lesiones, se requiere una estrecha supervisión si la máquina se usa en proximidad de niños. La hidrolimpiadora a presión no deberá ser usada por niños o personas no capacitadas para su uso.
- Aprenda inmediatamente cómo detener la máquina y purgar la presión. Familiarícese con los controles.
- Esté alerta y preste atención en todo momento.
- No utilice la máquina cuando esté cansado o bajo el efecto de drogas o alcohol.
- Mantenga alejadas a todas las personas de la zona de trabajo.
- No se extienda demasiado ni permanezca sobre un apoyo inestable. Esté siempre bien apoyado y en equilibrio.
- Siga las instrucciones de mantenimiento especificadas en el manual.
- Esta máquina debe estar conectada a tierra. En caso de mal funcionamiento o avería, la puesta a tierra proporciona una ruta de resistencia mínima a la corriente eléctrica, para reducir el riesgo de descarga eléctrica. El enchufe debe conectarse a una toma de corriente apropiada, instalada y puesta a tierra de acuerdo con los códigos y reglamentos locales. La tensión nominal (V/Hz) de la máquina debe corresponder a la tensión del suministro de red.
- Consulte a un electricista cualificado o al personal de servicio si tiene dudas sobre la puesta a tierra de la toma de corriente. No modifique el enchufe suministrado con la máquina. Si no se adapta a la toma de corriente, haga instalar una toma adecuada por un electricista cualificado. No use ningún tipo de adaptadores con esta máquina.

- Use solo cables de prolongación previstos para uso en exteriores y dotados de fábrica de enchufe estanco al agua. Estos cables de prolongación llevan la inscripción "Aceptable para uso con máquinas exteriores; guardar en interiores cuando no se usa". Use solo cables de prolongación que tengan valores eléctricos nominales no inferiores a los valores nominales de la máquina. No utilice cables de prolongación dañados. Controle el cable de prolongación antes de usarlo y sustitúyalo si está dañado. Los cables de prolongación inadecuados pueden ser peligrosos. No use indebidamente el cable de prolongación y no tire de ningún cable para desenchufarlo. Mantenga el cable alejado del calor y de las aristas vivas. Desconecte siempre el cable de prolongación del receptáculo antes de desenchufar la máquina del cable de prolongación.
- Para reducir el riesgo de electrocución, no encienda ni haga funcionar la máquina bajo la lluvia o en caso de tormenta. Mantenga todas las conexiones secas y alejadas del suelo. No toque el enchufe con las manos húmedas. Está estrictamente prohibido permitir las pérdidas de agua de la máquina.
- Cuando la máquina está en funcionamiento, mantenga un suministro de agua constante. Si no circula agua, se dañarán los anillos de estanqueidad de la máquina.
- Es necesario encender la lanza rociadora uno o dos minutos después de encender la máquina. En caso contrario, la temperatura del agua circulante dentro de la máquina aumentará prontamente hasta un punto crítico y dañará los anillos de estanqueidad interiores de la máquina.
- No arranque ni haga funcionar la máquina en un lugar excesivamente frío, para evitar que el agua de la máquina se congele.
- Esta máquina ha sido diseñada solo para uso con agua limpia, no use productos químicos corrosivos.
- Use el producto limpiador suministrado o recomendado por el fabricante.
- Los chorros de alta presión pueden ser dañosos si se usan en modo inapropiado. El chorro no debe dirigirse directamente a personas, animales, equipos eléctricos conectados ni hacia la propia máquina. Las hidrolimpiadoras a presión no deben dirigirse hacia las superficies de los neumáticos pues pueden dañarlas.
- No dirija el chorro contra usted mismo ni hacia otras personas para limpiar la ropa o el calzado.
- Desconecte la alimentación de corriente antes de efectuar el mantenimiento de usuario.
- Si el cable de alimentación se daña, debe ser sustituido por el fabricante, sus agentes de servicios u otras personas con cualificación similar, para evitar peligros.
- No use la máquina si el cable de alimentación o alguna pieza importante de la máquina están dañados, p. ej. los dispositivos de seguridad, las mangueras de presión o el disparador.
- Tenga cuidado de los contragolpes que causa el chorro de agua al encender la máquina.
- Cuando desplace e instale la máquina, esta debe estar sobre una superficie plana. Cuando desplace la máquina, tire de la empuñadura para moverla.
- Conecte el suministro de agua. Las máquinas no son aptas para la conexión a fuentes de suministro de agua portátiles. Conecte la máquina al suministro de agua. (Puede ser un recipiente de agua).
- No use el tubo si está dañado. Si desea conectar esta máquina a una fuente de suministro de agua portátil, debe instalar un obturador de reflujo en el tubo de agua para evitar que el agua sucia refluya hacia el sistema de agua potable. El obturador de reflujo debe ser conforme a la norma EN 60335-2-79, ANEXO AA.

## 2. INFORMACIÓN DE LA MÁQUINA

### Uso previsto

La hidrolimpiadora a presión PW503AC es veloz y eficaz para limpiar vehículos, máquinas, botes, edificios, etc. Limpie solo las partes de los motores de los vehículos que tengan instalados separadores de aceite adecuados.

### ESPECIFICACIONES TÉCNICAS

Modelo n.º	PW503AC
Voltaje	220-240 V~ 50/60Hz
Potencia de entrada	2200 W
Presión máx. suministro de agua	12 bar
Temperatura máx. agua	50 °C
Caudal de régimen	6.5 l/min
Caudal máx.	7.5 l/min

Presión nominal	120 bar
Presión máx.	170 bar
Peso	12.62 kg
Clase IP	IPX5
Clase de protección	II
Lpa (presión acústica)	74.6 dB(A) K=3dB(A)
Lwa (potencia acústica)	88.3 dB(A) K=3dB(A)
Lwa (potencia acústica) máx.	89 dB(A)
Vibración	2.089 m/s <sup>2</sup>

## DESCRIPCIÓN

Los números del texto se refieren a los diagramas de las páginas 2-5.

1. Hidrolimpiadora a presión
2. Interruptor de encendido/apagado
3. Filtro de la entrada de agua
4. Soporte de manguera
5. Salida de agua
6. Soporte de la pistola rociadora
7. Empuñadura
8. Sujetacables
9. Pistola rociadora
10. Lanza rociadora ajustable
11. Lanza turbo
12. Extensión de la lanza
13. Aguja de limpieza
14. Depósito de detergente
15. Limpiador de patios
16. Manguera de alta presión
17. Ajuste del detergente
18. Soporte de la boquilla
19. Adaptador desde la rosca hasta el conector rápido

## 3. MONTAJE



*Antes del montaje, apague siempre la máquina y extraiga el enchufe de la red de alimentación.*

### Conjunto de mango y soporte de la manguera (fig. A, B1)

1. Conjunto de mango (7) y soporte de manguera (4) como se muestra en la fig. B1.
2. Apriete los tornillos.

### Conjunto del soporte de la pistola, el cable y la boquilla (figuras A y B2)

Conjunto del soporte de la pistola (6), el cable (8) y la boquilla (18), como se muestra en la fig. B2.

## 4. FUNCIONAMIENTO



*La máquina puede causar perturbaciones eléctricas al arrancar.*



*El motor de esta hidrolimpiadora a presión NO funcionará. Funciona solo al apretar el gatillo.*



*La hidrolimpiadora debe usarse solo con agua limpia; el uso de agua sin filtrar o de productos químicos daña la hidrolimpiadora.*



*Si el motor se para y no vuelve a arrancar, espere 2-3 minutos antes de volver a ponerlo en marcha. SE HA DISPARADO EL DISYUNTOR TÉRMICO.*

### Encendido (fig. A y C)

1. Mueva el interruptor (2) a la posición "OFF/0".
2. Asegúrese de tener una alimentación de agua apta para alimentar la hidrolimpiadora.
3. Conecte la lanza (10/11) como se muestra en la fig. C1.
4. Conecte la manguera de alta presión (16) a la limpiadora como se muestra en la fig. C2 y conecte la pistola rociadora (9) a la manguera de alta presión (16) como se muestra en la fig. C3.
5. Compruebe que el filtro de malla (3) no esté bloqueado y móntelo en la máquina como se muestra en la fig. C4.
6. Conecte la manguera de suministro de agua.
7. Compruebe que la manguera no esté retorcida.
8. Encienda el agua y compruebe que no haya pérdidas.
9. Apriete el gatillo para dejar que salga el aire por la bomba y las mangueras; bloquee el gatillo como se muestra en la fig. C5.
10. Enchufe la máquina y encienda el interruptor (2).
11. Desbloquee el gatillo como se muestra en la fig. C5 y utilice la hidrolimpiadora.

**Limpiador de patios (fig. A)**

El limpiador de patios (15) es perfecto para la limpieza de las superficies de patios y suelos de distintos materiales como madera, plástico, cemento, baldosas y piedra natural.

1. Conecte la lanza del limpiador de patios al limpiador de patios (15) como se muestra en la figura A.
2. Conecte la extensión de la lanza (12) y el adaptador (19) al limpiador de patios (15).
3. Conecte el conjunto a la pistola rociadora (9).

**Apagado (fig. A y C)**

*Nunca desconecte la manguera de presión (16) de la máquina mientras el sistema aún esté presurizado.*



*Apague SIEMPRE el motor de la unidad ANTES de apagar el suministro de agua de la unidad. El motor puede dañarse gravemente si la unidad funciona sin agua.*

1. Apague el motor (gire el interruptor (2) a la posición de apagado).
2. Desenchufe la unidad de la fuente de alimentación.
3. Cierre el suministro de agua.
4. Apriete el gatillo de la pistola (9) para despresurizar el sistema.
5. Desconecte la manguera de jardín de la hidrolimpiadora a presión.
6. Active la cerradura de seguridad de la pistola como se muestra en la fig. C5.
7. Limpie todas las superficies de la unidad con un paño limpio y húmedo.

**Suministro de agua**

*¡Esta unidad debe usarse solo con agua fría!*

- Proporcione una alimentación de agua apta para alimentar la hidrolimpiadora. Compruebe que todas las conexiones estén bien fijadas y que la manguera no presente fugas.
- La llave de suministro debe estar totalmente abierta (no encienda todavía la hidrolimpiadora).
- Ahora pulse el gatillo (desbloquéelo primero) para que el agua pase a través de la unidad y expulse el aire que pudiera haber.
- Encienda la hidrolimpiadora una vez que todo el

aire haya sido expulsado y el agua haya llegado al final de la lanza.

**Ajuste de la boquilla (fig. A y D)**

- El agua de la boquilla puede rociarse en modo lineal o en forma de abanico. Primero encienda la presión y después ajuste la boquilla.

**Ajuste de la presión de trabajo (fig. A y E)**

La presión de trabajo puede ajustarse girando el manguito del extremo de la boquilla.

- Gire el manguito en sentido horario para aumentar la presión de trabajo.
- Gire el manguito en sentido antihorario para reducir la presión de trabajo.

**Uso de detergentes (fig. A y E1)**

El dispensador de detergente incorporado le permitirá aplicar el detergente líquido de muchas formas en la superficie de trabajo. La aplicación del detergente ocurre solo a baja presión.

- Coloque la boquilla ajustable (10) en la pistola (9).
- Regule la boquilla (10) a presión baja "8/4".
- Quite la tapa del depósito de detergente (14) y llénelo únicamente con detergente líquido. No ponga agua en el depósito. La hidrolimpiadora mezclará el agua y el detergente automáticamente. Al terminar de aplicar el detergente a la superficie de trabajo, es posible quitar el detergente pulverizando con el ajuste de alta presión "4/4". En el modo de alta presión, la hidrolimpiadora no dispensará detergente.

**Ajuste de la cantidad de detergente (fig. A y E2)**

Para ajustar la cantidad de detergente mezclado con el agua, puede girar el botón del detergente (17).

- Gire a la izquierda para reducir la cantidad de detergente añadido.
- Gire a la derecha para aumentar la cantidad de detergente añadido.

**5. MANTENIMIENTO**

*Antes de realizar la limpieza y el mantenimiento, apague siempre la máquina y extraiga el enchufe de la red de alimentación.*

Limpie regularmente la carcasa de la máquina con un paño suave, preferentemente después de cada

uso. Compruebe que los orificios de ventilación estén libres de polvo y suciedad. Elimine el polvo persistente utilizando un paño suave humedecido con agua y jabón. No use disolventes tales como gasolina, alcohol, amoníaco, etc. Tales productos químicos pueden dañar los componentes sintéticos.

#### Filtro de entrada de agua (fig. A)

El filtro de entrada de agua (3) debe comprobarse periódicamente para evitar obstrucciones y restricciones en el suministro de agua a la bomba.

#### Boquilla de limpieza (fig. A, F)

Si la boquilla se atasca, podría provocar fallos. La boquilla puede limpiarse insertando el "pin de limpieza" (13) en la punta para quitar la suciedad.

#### Almacenamiento y protección contra el hielo

La hidrolimpiadora y los accesorios que no se hayan drenado totalmente pueden ser destruidos por el hielo. Drene totalmente la hidrolimpiadora y sus accesorios y protéjalos contra el hielo.

Guarde la hidrolimpiadora en un lugar ventilado y seco en el que la temperatura no sea inferior a +5°C.

### MAL FUNCIONAMIENTO

En caso de que la máquina no funcione correctamente, a continuación se indican las posibles causas y la solución apropiada:

#### 1. La máquina no empieza a funcionar al encenderla.

- El enchufe no está bien conectado o la toma de corriente es defectuosa.
  - *Compruebe el enchufe, la toma y el fusible.*
- La red de tensión es inferior al mínimo requerido para el arranque.
  - *Compruebe que la tensión de red sea adecuada.*
- La bomba está atascada.
  - *Consulte las instrucciones para después del almacenamiento. Apague la unidad y deje que el motor se enfríe.*
- Se ha disparado la seguridad térmica.
  - *Deje la lanza abierta para que salga el agua.*

#### 2. La presión fluctúa.

- Bomba de aspiración de aire.
  - *Compruebe que las mangueras y las conexiones sean herméticas.*

- Válvulas sucias, desgastadas o bloqueadas. Juntas de la bomba desgastadas.
  - *Límpielas o sustitúyalas o consulte a su vendedor.*

#### 3. Pérdida de agua de la bomba.

- Juntas desgastadas.
  - *Pruébelas o sustitúyalas o consulte a su vendedor.*

#### 4. El motor se detiene repentinamente.

- El interruptor térmico de seguridad se ha disparado por un recalentamiento.
  - *Compruebe que la tensión de red corresponda a las especificaciones. Un cable prolongador demasiado fino o demasiado largo puede causar una caída de tensión y hacer que el motor se recaliente. Deje enfriar. Use cables prolongadores para servicio pesado.*

#### 5. La bomba no alcanza la presión necesaria.

- La entrada de agua o el filtro están obstruidos.
  - *Limpie el filtro de la entrada de agua.*
- La bomba aspira aire de las conexiones o las mangueras.
  - *Compruebe que todas las conexiones de alimentación estén apretadas.*
- Las válvulas de aspiración o de salida están obstruidas o desgastadas.
  - *Compruebe que la manguera de alimentación de agua no tenga pérdidas.*
- La válvula de descarga está bloqueada.
  - *Limpie o purgue las válvulas.*
- Boquilla de la lanza incorrecta o desgastada.
  - *Afloje y vuelva a apretar el tornillo de ajuste. Contrólole y/o sustitúyalo.*



Las reparaciones y el mantenimiento deben ser realizados solo por un técnico cualificado o por una empresa de servicios.

### MEDIOAMBIENTE



Los aparatos eléctricos o electrónicos defectuosos y/o desechados deben recogerse en lugares de reciclado apropiado.

**Solo para países de la Comunidad Europea**

No elimine las herramientas eléctricas como residuos domésticos. De acuerdo con la Directiva europea 2012/19/CE sobre residuos de aparatos eléctricos y electrónicos, y su transposición a las legislaciones nacionales, las herramientas eléctricas que ya no se utilizan deben recogerse por separado y eliminarse en modo ecológico.

**CONDICIONES DE GARANTÍA**

Los productos VONROC han sido desarrollados con los más altos estándares de calidad y VONROC garantiza que están exentos de defectos relacionados con los materiales y la fabricación durante el periodo legalmente estipulado, a contar desde la fecha de compra original. En caso de que el producto presente defectos relacionados con los materiales y/o la fabricación durante este periodo, póngase directamente en contacto VONROC.

La presente garantía se excluye en los siguientes casos:

- Si centros de servicios no autorizados han realizado o han intentado realizar reparaciones y/o alteraciones a la máquina.
- Si se ha producido un desgaste normal.
- Si la herramienta ha sido mal tratada o usada en modo impropio, o se ha realizado incorrectamente su mantenimiento.
- Si se han utilizado piezas de repuesto no originales.

La presente constituye la única garantía implícita y explícita que ofrece la compañía. No existen otras garantías explícitas o implícitas que excedan las citadas aquí, incluidas las garantías implícitas de comerciabilidad e idoneidad para una finalidad en especial. VONROC no será considerada responsable en ningún caso por daños incidentales o consecuentes. Los recursos a disposición de los distribuidores se limitan a la reparación o a la sustitución de las unidades o piezas no conformes.

**El producto y el manual de usuario están sujetos a variaciones. Las especificaciones pueden variarse sin previo aviso.**

**1. ISTRUZIONI DI SICUREZZA**

Leggere accuratamente gli avvisi di sicurezza, gli avvisi di sicurezza aggiuntivi e le istruzioni. La mancata osservanza degli avvisi di sicurezza e delle istruzioni potrebbe causare scosse elettriche, incendio e/o gravi lesioni. Mantenere gli avvisi di sicurezza e le istruzioni a portata di mano per future consultazioni.

I seguenti simboli sono utilizzati nel presente manuale utente o sul prodotto:



*Leggere il manuale per l'utente.*



*Denota il rischio di lesioni personali, morte o danni all'utensile in caso di mancata osservanza delle istruzioni contenute nel presente manuale.*



*Indica un pericolo di scosse elettriche.*



*NON dirigere il getto d'acqua verso persone o animali.  
NON dirigere il getto d'acqua verso l'unità stessa, le parti elettriche o verso altri apparecchi elettrici.*



*La macchina non è destinata ad essere collegata alla rete idrica potabile.*



*Proteggere la macchina dal gelo.*



*Doppio isolamento.*



*Non smaltire il prodotto in contenitori non idonei.*



*Il prodotto è conforme agli standard pertinenti in materia di sicurezza previsti dalla legislazione Europea.*

**AVVERTENZE DI SICUREZZA**

Quando si utilizzano apparecchi elettrici, osservare sempre le norme di sicurezza vigenti nel proprio paese per ridurre il rischio di incendi, scosse elettriche e lesioni personali. Leggere le istruzioni di sicurezza riportate di seguito oltre a quelle allegate al presente manuale.





**ATTENZIONE! Leggere tutte le avvertenze di sicurezza e tutte le istruzioni.** Se non si seguono tutte le istruzioni sotto elencate, si può incorrere in uno shock elettrico, in un incendio e/o in lesioni serie.

### Sicurezza elettrica

- Controllare sempre che la tensione di rete corrisponda al valore sulla targhetta.
- In caso di sostituzione di vecchi cavi o spine:
- Buttare via i vecchi cavi o spine immediatamente non appena sono stati sostituiti con quelli nuovi. È pericoloso mettere la spina di un cavo allentato nella presa.
- Quando si utilizzano cavi di prolunga:
- Utilizzare solo un cavo di prolunga omologato e adatto per la potenza della macchina. I nuclei devono avere un diametro di almeno 1,5 mm<sup>2</sup>. Quando il cavo di prolunga è su un avvolgitore, srotolare il cavo nella sua interezza.
- Tutti i collegamenti elettrici, per esempio il cavo di prolunga, devono essere di tipo impermeabile omologato per uso esterno e marcati di conseguenza.

### Spegnere immediatamente l'elettrotensile nei seguenti casi:

- Interruzione di corrente dalla spina o dal cavo di alimentazione o cavo di alimentazione danneggiato.
- Interruttore difettoso.
- Fumo o odore di bruciato.

### NORME SPECIFICHE DI SICUREZZA

Il manuale d'USO e MANUTENZIONE costituisce parte essenziale dell'attrezzatura dell'idropulitrice e deve essere conservato in un luogo sicuro per consultazioni future. In caso di vendita dell'idropulitrice, il manuale deve essere consegnato al nuovo proprietario.

- Prima di avviare l'idropulitrice, assicurarsi che riceva correttamente l'acqua. Il funzionamento dell'idropulitrice senz'acqua potrebbe danneggiare le guarnizioni.
- Non staccare la spina tirando il cavo elettrico.
- Se ci si trova in una posizione troppo lontana dall'oggetto che si desidera pulire, non avvicinare l'idropulitrice tirando il tubo ad alta pressione; utilizzare l'apposita maniglia.
- Nelle versioni non dotate di dispositivo TSS, non utilizzare il detergente per più di 1-2 minuti

con la pistola chiusa in quanto ciò potrebbe danneggiare le guarnizioni.

- Proteggere l'idropulitrice dal gelo durante l'inverno.
- Non ostruire le griglie di ventilazione durante il funzionamento.
- La sezione trasversale di eventuali prolunghie utilizzate deve essere proporzionale alla loro lunghezza, ovvero, più lungo è il cavo di prolunga, maggiore è la sezione trasversale; devono essere utilizzati cavi con un livello di protezione di „IPX5”.
- Posizionare l'idropulitrice IL PIÙ VICINO POSSIBILE alla rete idrica.
- L'imballaggio è facilmente riciclabile e deve essere smaltito in conformità alle norme vigenti nel paese di installazione.
- Utilizzare il detergente solo con accessori e parti di ricambio autorizzati dal produttore. L'uso di accessori originali e pezzi di ricambio garantisce un funzionamento sicuro e senza problemi.
- L'idropulitrice deve essere utilizzata in posizione verticale su una superficie stabile e sicura.
- Evitare la pressione involontaria del grilletto. Non trasportare il gruppo lancia/grilletto con la mano sul grilletto. Utilizzare sempre il meccanismo di blocco del grilletto.
- Assicurarsi di utilizzare il blocco di sicurezza sul grilletto quando si è smesso di usare l'idropulitrice per evitare l'azionamento accidentale.
- Leggere tutte le istruzioni prima di utilizzare la macchina.
- Le macchine non devono essere utilizzate dai bambini. I bambini devono essere sorvegliati per assicurarsi che non giochino con la macchina. Questa macchina non è destinata ad essere utilizzata da persone (compresi i bambini) con capacità fisiche, sensoriali o mentali ridotte, o con mancanza di esperienza e di conoscenze.
- Il collegamento alla rete elettrica deve essere effettuato da una persona qualificata ed essere conforme alla norma IEC 60364-1. L'alimentazione elettrica alla macchina deve includere un dispositivo di corrente residua che interrompa l'alimentazione se la corrente di dispersione verso terra supera 30 mA per 30 ms o un dispositivo in grado di rilevare il circuito di terra.

- L'apparecchio è destinato ad essere utilizzato ad una temperatura superiore a 0 gradi. (Solo per macchine con cavo di alimentazione H05VV-F).
- Il metodo operativo da rispettare in caso di incidente (ad esempio, il contatto con detergenti: sciacquare con acqua pulita in abbondanza) o guasto per evitare situazioni pericolose.
- Questa macchina è stata progettata per l'utilizzo con il detergente fornito o raccomandato dal produttore. L'uso di altri detergenti o prodotti chimici può pregiudicare la sicurezza della macchina.
- Consigliare all'operatore di indossare protezioni per le orecchie.
- Non usare la macchina nella vicinanza di persone, a meno che non indossino indumenti protettivi.
- Non dirigere il getto contro se stessi o altri per pulire vestiti o calzature.
- Rischio di esplosione- Non spruzzare liquidi infiammabili.
- I tubi, i raccordi e i giunti ad alta pressione sono importanti per la sicurezza della macchina. Utilizzare esclusivamente tubi, raccordi e giunti consigliati dal produttore.
- Per garantire la sicurezza della macchina, utilizzare esclusivamente ricambi originali del produttore o approvati dal costruttore.
- L'acqua refluita attraverso dispositivi per la prevenzione del reflusso è considerata non potabile.
- La macchina deve essere scollegata dalla fonte di alimentazione togliendo la spina dalla presa di corrente durante la pulizia o la manutenzione e quando si sostituisce la macchina per un'altra funzione.
- Osservare una distanza di almeno 30 cm quando si utilizza il getto per pulire superfici verniciate onde evitare di danneggiare la vernice.
- Non utilizzare la macchina se il cavo di alimentazione o parti importanti della macchina sono danneggiati, ad esempio, dispositivi di sicurezza, tubi flessibili ad alta pressione, pistola a grilletto.
- Se si utilizza una prolunga, la spina e la presa devono essere a tenuta stagna.
- Prolunghe inadeguate possono essere pericolose. Se si utilizza una prolunga, deve essere adatta per l'uso esterno e la connessione deve essere mantenuta asciutta e sollevata da terra. Si raccomanda di utilizzare un avvolgicavo che mantenga la presa a un minimo di 60 mm dal suolo.
- Per evitare il rischio di una reimpostazione involontaria della protezione termica, questo apparecchio non deve essere alimentato attraverso un dispositivo di commutazione esterno, come un temporizzatore, o connesso a un circuito che viene regolarmente acceso e spento dall'utenza.
- Per garantire la sicurezza della macchina, utilizzare esclusivamente ricambi originali (incluso l'ugello) del produttore o approvati dal costruttore. Non utilizzare la macchina prima di averli sostituiti se sono danneggiati.
- Prestare attenzione al pericolo della forza del contraccolpo sul gruppo nebulizzatore all'apertura della pistola a spruzzo e afferrare la pistola saldamente con le mani.
- Per ridurre il rischio di lesioni, è necessaria un'attenta supervisione quando una macchina viene utilizzata in presenza di bambini. L'idropulitrice non deve essere utilizzata da bambini o persone inesperte.
- Assicurarsi di sapere come arrestare la macchina e scaricare rapidamente la pressione. Acquisire dimestichezza con i comandi.
- Stare sempre all'erta e osservare ciò che si sta facendo.
- Non utilizzare la macchina quando si è affaticati o sotto l'influenza di alcol o droghe.
- Tenere tutte le persone al di fuori dall'area operativa.
- Non sbilanciarsi o appoggiarsi su un sostegno instabile. Mantenere sempre un buon appoggio ed equilibrio.
- Seguire le istruzioni di manutenzione indicate nel manuale.
- Questa macchina deve essere collegata a terra. Se subisce un malfunzionamento o guasto, la messa a terra offre un percorso di resistenza minima alla corrente elettrica per ridurre il rischio di scosse elettriche. La spina deve essere inserita in una presa appropriata correttamente installata e messa a terra in conformità con le normative e le ordinanze locali. La tensione nominale (V/Hz) della macchina deve essere conforme alla tensione della rete elettrica locale.

- Consultare un elettricista qualificato o il personale dell'assistenza in caso di dubbi sulla corretta messa a terra. Non modificare la spina fornita con la macchina. Se non entra nella presa a disposizione, fare installare la presa da un elettricista qualificato. Non utilizzare alcun tipo di adattatore con questa macchina.
- Utilizzare solo prolunghe destinate ad uso esterno e la presa deve essere a tenuta stagna. Queste prolunghe sono identificate dalla marcatura „Compatibile per l'uso con macchine all'aperto; conservare al chiuso quando non in uso. „ Utilizzare solo prolunghe con una potenza elettrica non inferiore alla specifica della macchina. Non utilizzare prolunghe danneggiate. Esaminare la prolunga prima dell'uso e sostituirla se danneggiata. Prolunghe inadeguate possono essere pericolose. Non abusare della prolunga e non tirare alcun cavo per scollegarla. Tenere il cavo lontano da fonti di calore e spigoli vivi. Scollegare sempre il cavo di prolunga dalla presa prima di scollegare la macchina dalla prolunga.
- Per ridurre il rischio di folgorazione, non avviare né far funzionare la macchina sotto la pioggia o in caso di tempesta. Mantenere tutti i collegamenti asciutti e sollevati da terra. Non toccare la spina con le mani bagnate. È severamente vietato consentire perdite d'acqua all'interno della macchina.
- Quando la macchina è in funzione, mantenere un'erogazione dell'acqua costante. In assenza di un ricircolo d'acqua, gli anelli di tenuta della macchina vengono danneggiati.
- È necessario attivare la lancia entro uno o due minuti dopo l'avvio della macchina. Altrimenti, la temperatura dell'acqua circolante all'interno della macchina salirà ben presto a un punto critico, che causerà danni agli anelli di tenuta all'interno della macchina.
- Non avviare e far funzionare la macchina in un luogo eccessivamente freddo in modo da proteggere la macchina dalla corrente di congelamento.
- Questa macchina è stata progettata esclusivamente per l'uso con acqua pulita, non usare prodotti chimici corrosivi.
- Usare detergenti forniti o raccomandati dal produttore.
- I getti ad alta pressione possono essere pericolosi se sottoposti a uso improprio. Il getto non deve essere diretto verso persone, animali, apparecchiature elettriche in tensione o verso la macchina stessa. Le idropulitrici non devono essere puntate ai fianchi dei pneumatici, in quanto è possibile danneggiarli.
- Non dirigere il getto contro se stessi o altri per pulire vestiti o calzature.
- Scollegare dalla rete di alimentazione elettrica prima di eseguire la manutenzione da parte dell'utente.
- Se il cavo di alimentazione è danneggiato, deve essere sostituito dal costruttore, da un suo rappresentante addetto all'assistenza o da altre persone con qualifica simile al fine di evitare rischi per la sicurezza.
- Non utilizzare la macchina se il cavo di alimentazione o parti importanti sono danneggiati, ad esempio, dispositivi di sicurezza, tubi flessibili ad alta pressione, pistola a grilletto.
- Prestare attenzione al contraccolpo causato dal getto d'acqua all'accensione della macchina.
- Durante lo spostamento e l'installazione della macchina, essa deve essere in piano. Durante il trasporto della macchina, tirare la maniglia per spostarla.
- Collegare all'erogazione dell'acqua. Le macchine non sono adatte per il collegamento a reti idriche portatili. Collegare la macchina all'erogazione dell'acqua. (Può essere un contenitore d'acqua).
- Non utilizzare il tubo se è danneggiato. Se si desidera collegare questa macchina alla rete idrica portatile, è necessario installare una valvola di non ritorno nel tubo dell'acqua per evitare che il flusso d'acqua sporca rifluisca nel sistema di acqua potabile. Il dispositivo per la prevenzione del riflusso deve essere conforme alla norma EN 60335-2-79 ALLEGATO AA.

## 2. INFORMAZIONI RELATIVE ALL'ELETTROUTENSILE

### Uso previsto

L'idropultrice PW503AC è veloce ed efficiente per la pulizia di veicoli, macchine, imbarcazioni, edifici, ecc. Pulire i motori dei veicoli solo alle aree in cui sono installati separatori dell'olio adatti.

**DATI TECNICI**

Modello n.º	PW503AC
Tensione	220-240 V~ 50/60Hz
Potenza assorbita	2200 W
Erogazione dell'acqua alla pressione max.	12 bar
Temperatura dell'acqua max.	50 °C
Portata nominale	6.5 l/min
Portata max.	7.5 l/min
Pressione nominale	120 bar
Pressione max.	170 bar
Peso	12.62 kg
Classe IP	IPX5
Classe di protezione	II
Lpa (pressione sonora)	74.6 dB(A) K=3dB(A)
Lwa (potenza sonora)	88.3 dB(A) K=3dB(A)
Max. Lwa (potenza sonora)	89 dB(A)
Vibrazioni	2.089 m/s <sup>2</sup>

**DESCRIZIONE**

I numeri che compaiono nel testo si riferiscono agli schemi riportati alle pagine 2- 5.

1. Idropulitrice
2. Interruttore On/off
3. Filtro dell'acqua in ingresso
4. Supporto reggitubo
5. Uscita dell'acqua
6. Supporto per pistola
7. Maniglia
8. Reggicavo
9. Pistola a spruzzo
10. Bacchetta di spruzzo regolabile
11. Lancia turbo
12. Prolunga per lancia
13. Spillo per pulizia ugello
14. Serbatoio del detergente
15. Lavasuperfici
16. Tubo flessibile per alta pressione
17. Manopola di regolazione detergente
18. Supporto ugelli
19. Adattatore da attacco filettato a innesto rapido

**3. MONTAGGIO**

*Prima del montaggio spegnere sempre l'elettrotensile e staccare la spina dalla presa di corrente.*

**Assemblaggio dell'impugnatura e del supporto reggitubo (Fig. A, B1)**

1. Assemblare l'impugnatura (7) e il supporto reggitubo (4) come illustrato nella Fig. B1.
2. Stringere le viti.

**Assemblaggio di supporto pistola, reggicavo e supporto ugelli (Fig. A e B2)**

Assemblare il supporto pistola (6), il reggicavo (8) e il supporto ugelli (18) come illustrato nella Fig. B2.

**4. FUNZIONAMENTO**

*La macchina può causare disturbi elettrici all'avvio.*



*Il motore di questa idropulitrice NON si metterà in moto. Si azionerà soltanto alla pressione del grilletto.*



*L'idropulitrice deve essere utilizzata solo con acqua pulita; l'uso di acqua non filtrata o di prodotti chimici corrosivi danneggia l'unità.*



*Se il motore si ferma e non riesce a ripartire, attendere 2-3 minuti prima di riavviarlo. PROTEZIONE TERMICA SCATTATA.*

**Accensione (Fig. A e C)**

1. Spostare l'interruttore di accensione/spengimento (2) nella posizione di spegnimento "OFF/O".
2. Assicurarsi che l'impianto idrico di alimentazione sia adeguato per fornire l'acqua all'idropulitrice.
3. Collegare la lancia (10/11) come illustrato nella Fig. C1.
4. Collegare il tubo flessibile per alta pressione (16) all'idropulitrice, come illustrato nella Fig. C2, e la pistola a spruzzo (9) al tubo flessibile per alta pressione (16), come mostra la Fig. C3.
5. Controllare che il filtro in garza (3) non sia ostruito e montarlo sulla macchina come illustrato nella Fig. C4.


6. Collegare il tubo di alimentazione dell'acqua.
  7. Controllare che il tubo non presenti imperfezioni.
  8. Aprire l'acqua e verificare che non ci siano perdite.
  9. Premere il grilletto per permettere l'espulsione dell'aria attraverso la pompa e i tubi, quindi bloccare il grilletto, come illustrato nella Fig. C5.
  10. Collegare la macchina alla presa di corrente e accenderla con l'interruttore (2).
  11. Sbloccare il grilletto come illustrato nella Fig. C5 e iniziare a utilizzare l'idropulitrice.
- Assicurarsi di disporre di un impianto idrico di alimentazione adeguato per l'idropulitrice. Controllare la tenuta di tutti i collegamenti e che non vi siano perdite nel tubo.
  - Il rubinetto dell'acqua di alimentazione deve essere completamente aperto (non è ancora il momento di accendere l'idropulitrice).
  - A questo punto premere il grilletto (sbloccando prima la sicura della pistola) in modo che l'acqua passi attraverso l'unità e l'aria venga espulsa.
  - Accendere l'idropulitrice solo dopo che tutta l'aria sarà stata espulsa e l'acqua avrà raggiunto l'estremità finale della lancia.


### Lavasuperfici (Fig. A)

Il lavasuperfici (15) è l'accessorio ideale per pulire le superfici di pavimenti e pareti di diversi materiali, quali legno, plastica, cemento, piastrelle e pietra naturale.

1. Collegare la lancia per lavasuperfici al lavasuperfici (15) come illustrato nella Figura A.
2. Collegare la prolunga per lancia (12) e l'adattatore (19) al lavasuperfici (15).
3. Collegare il set alla pistola a spruzzo (9).


### Spegnimento (Fig. A e C)

 *Non scollegare mai il tubo flessibile per alta pressione (16) dalla macchina quando l'impianto è ancora pressurizzato.*

 *Spegnere SEMPRE il motore dell'unità PRIMA di chiudere l'erogazione dell'acqua dell'unità. Potrebbero verificarsi gravi danni al motore se l'unità viene fatta funzionare senz'acqua.*

1. Spegnere il motore (premere l'interruttore (2) in posizione off).
2. Scollegare l'unità dalla presa di corrente.
3. Chiudere l'erogazione dell'acqua.
4. Premere il grilletto (9) della pistola per depressurizzare il sistema.
5. Scollegare il tubo da giardino dall'idropulitrice.
6. Innestare la sicura della pistola come illustrato nella Fig. C5.
7. Pulire tutte le superfici dell'unità con un panno umido pulito.

### Alimentazione dell'acqua

 *Questa unità deve essere alimentata e usata solo con acqua fredda!*

### Regolazione dell'ugello (Fig. A e D)

- L'ugello può spruzzare l'acqua sia in senso lineare che a ventaglio. Attivare prima la pressione, quindi regolare l'ugello.

### Regolazione della pressione di esercizio (Fig. A e E)

La pressione di esercizio può essere regolata ruotando il manicotto all'estremità dell'ugello.

- Ruotare il manicotto in senso orario per aumentare la pressione di esercizio.
- Ruotare il manicotto in senso antiorario per ridurre la pressione di esercizio.

### Uso di detersivi (Fig. A e E1)

L'erogatore di detersivo integrato consente di applicare molti tipi di detersivo sulla superficie da pulire. L'applicazione del detersivo è possibile solo se l'ugello di erogazione funziona a bassa pressione.

- Collegare l'ugello di erogazione regolabile (10) alla pistola (9).
- Regolare l'ugello di erogazione (10) alla modalità a bassa pressione "☼".
- Togliere il tappo del serbatoio del detersivo (14) e riempire il serbatoio solo con detersivo liquido. Non versare acqua nel serbatoio. L'idropulitrice mescolerà automaticamente acqua e detersivo. Una volta terminata l'applicazione del detersivo sulla superficie di lavoro, è possibile lavarlo via utilizzando la modalità di funzionamento ad alta pressione "☼". Nella modalità ad alta pressione, l'idropulitrice non eroga il detersivo.

### Regolazione della percentuale di detergente

(Fig. A e E2)

Per regolare la percentuale di detergente miscelata con l'acqua per ottenere la soluzione di lavaggio è possibile ruotare la manopola di regolazione detergente (17).

- Ruotare la manopola verso sinistra per ridurre la quantità di detergente aggiunta.
- Ruotare la manopola verso sinistra per aumentare la quantità di detergente aggiunta.

## 5. MANUTENZIONE



*Prima di eseguire qualsiasi operazione di pulizia e intervento di manutenzione spegnere sempre l'elettrotensile e staccare la spina dalla presa di corrente.*

Pulire regolarmente il corpo dell'elettrotensile con un panno morbido, preferibilmente dopo ogni uso. Assicurarsi che le prese d'aria siano libere da polvere e sporcizia. Rimuovere lo sporco particolarmente ostinato con un panno morbido inumidito con acqua e sapone. Non utilizzare solventi come benzina, alcol, ammoniaca, ecc. Le sostanze chimiche di questo tipo danneggiano i componenti sintetici.

### Filtro dell'acqua in ingresso (Fig. A)

Il filtro dell'acqua in ingresso (3) deve essere ispezionato periodicamente in modo da evitare che si ostruisca o che il flusso dell'acqua di alimentazione della pompa si riduca.

### Pulizia dell'ugello (Fig. A, F)

Se l'ugello è ostruito può provocare un guasto. È possibile pulirlo inserendovi all'interno della punta l'apposito spillo (13) per rimuovere lo sporco.

### Conservazione e protezione dal gelo

Se l'acqua non viene scaricata completamente dall'idropulitrice ad alta pressione e dai relativi accessori, un'eventuale esposizione al gelo può causare danni gravissimi. Svuotare completamente l'idropulitrice e gli accessori dall'acqua e proteggerli dal gelo.

Conservare l'idropulitrice in un ambiente asciutto e ben ventilato, in cui la temperatura non scenda al di sotto di +5°C.

## MALFUNZIONAMENTO

Qualora la macchina non funzioni correttamente, si riporta una serie di possibili cause e relative soluzioni adeguate di seguito:

### 1. All'accensione, la macchina non parte.

- La spina non è ben collegata o la presa di corrente è difettosa.
  - *Controllare la spina, la presa e il fusibile.*
- La tensione di rete è inferiore al requisito minimo per l'avvio.
  - *Verificare che la tensione di rete sia adeguata.*
- La pompa è bloccata.
  - *Consultare le istruzioni post-stoccaggio. Spegnerne l'unità e lasciare che il motore si raffreddi.*
- La protezione termica è scattata.
  - *Lasciare la lancia aperta con l'acqua che passa.*

### 2. Pressione oscillante.

- Pompa che succhia l'aria.
  - *Controllare che i tubi e le connessioni siano a tenuta stagna.*
- Valvole sporche, usurate od ostruite. Tenute della pompa usurate.
  - *Pulire e sostituire o consultare un rivenditore.*

### 3. Acqua che perde dalla pompa.

- Tenute usurate.
  - *Controllare e sostituire o consultare un rivenditore.*

### 4. Il motore si arresta improvvisamente.

- L'interruttore di sicurezza termico è scattato a causa di un surriscaldamento.
  - *Verificare che la tensione di rete corrisponda alle specifiche. Un cavo di prolunga troppo sottile e troppo lungo può causare una caduta di tensione e il surriscaldamento del motore. Lasciare che si raffreddi. Utilizzare cavi di prolunga resistenti.*

### 5. La pompa non raggiunge la pressione necessaria.

- Ingresso dell'acqua, il filtro è ostruito.
  - *Pulire il filtro di ingresso dell'aria.*
- Pompa che aspira aria dalle connessioni o dai tubi.
  - *Controllare che tutti i raccordi di erogazione*

*siano a tenuta stagna.*

- Le valvole di aspirazione/mandata sono ostruite o usurate.
  - *Verificare che il tubo di alimentazione dell'acqua non perda.*
- La valvola di scarico è bloccata.
  - *Liberare o scaricare le valvole.*
- Ugello della lancia non corretto o usurato.
  - *Allentare e serrare nuovamente la vite di regolazione. Controllare e/o sostituire.*



*Le riparazioni e la manutenzione devono essere eseguite esclusivamente da un tecnico qualificato o da un'azienda che si occupi di assistenza.*

## AMBIENTE



*Le apparecchiature elettriche o elettroniche difettose e/o scartate devono essere raccolte presso gli opportuni siti di riciclaggio.*

### Solo per i Paesi CE

Non smaltire gli elettrodomestici insieme ai rifiuti domestici. Secondo la Direttiva europea 2012/19/EC sui rifiuti delle apparecchiature elettriche ed elettroniche e relativa implementazione nelle normative locali, gli elettrodomestici ormai inutilizzabili devono essere raccolti separatamente e smaltiti in modo ecologico.

## DEFINIZIONI DELLA GARANZIA

I prodotti VONROC sono sviluppati secondo i più elevati standard di qualità e viene garantita l'assenza di difetti nei materiali e nella manodopera per il periodo contrattuale a partire dalla data di acquisto originale. Qualora il prodotto dovesse subire un guasto qualsiasi durante questo periodo a causa di difetti nei materiali e/o nella manodopera, si prega di contattare direttamente il VONROC.

Le seguenti circostanze sono escluse da questa garanzia:

- Riparazioni e/o modifiche alla macchina sono state eseguite o tentate da centri di assistenza non autorizzati.
- Normale usura.
- L'utensile è stato abusato, utilizzato o manutenu- to in modo improprio.
- Sono state utilizzate parti di ricambio non origi- nali.

Ciò costituisce l'unica garanzia espressa o implicita fornita dall'azienda. Non esistono altre garanzie es- presse o implicite che si estendono oltre il presente documento, ivi comprese le garanzie im plicite di commerciabilità e idoneità per uno scopo particola- re. In nessun caso VONROC sarà responsabile di eventuali danni incidentali o consequenziali. I rime- di dei rivenditori saranno limitati alla riparazione o sostituzione di unità o parti non conformi.

**Il prodotto e il manuale per l'utente sono soggetti a modifiche. I dati tecnici possono essere modificati senza ulteriore notifica.**

## 1. SÄKERHETSFÖRESKRIFTER

Läs de medföljande säkerhetsvarningarna, de tillkommande säkerhetsvarningarna och anvisningarna. Om inte säkerhetsvarningarna och anvisningarna följs kan detta orsaka elstötar, brand och/eller allvarliga kroppsskador. Behåll säkerhetsvarningarna och anvisningarna för framtida bruk.

Följande symboler används i bruksanvisningen eller på produkten:



Läs igenom bruksanvisningen.



Anger risk för personskada, dödsfall eller skada på verktyget om anvisningarna i denna handbok inte följs.



Anger risk för elstötar.



Rikta **INTE** vattenstrålen mot människor eller djur. Rikta **INTE** vattenstrålen mot själva enheten, elektriska delar eller mot annan elektronik.



Maskinen är inte avsedd att anslutas till dricksvattennätet.



Skydda apparaten mot frost.



Dubbel isolering.



Släng inte produkten i olämpliga behållare.



Produkten är i överensstämmelse med tillämpliga säkerhetsstandarder i EU-direktiven.

### SÄKERHETSVARNINGAR

Följ alltid säkerhetsföreskrifterna som gäller i ditt land när du arbetar med elverktyg för att minska risken för brand, elstöt och personskada. Läs följande säkerhetsanvisningar och även de medföljande säkerhetsanvisningarna.



**VARNING! Läs alla säkerhetsvarningar och alla anvisningar.** Underlåtenhet att följa varningar och instruktioner kan resultera i elstöt, brand och/eller allvarliga skador.

### Elsäkerhet

- Kontrollera alltid att nätspänningen överensstämmer med spänningen på typskylten.
- Vid byte av gamla kablar eller kontakter:
- Kasta gamla kablar eller elkontakter omedelbart så snart du har bytt ut dessa. Det är farligt att sätta i kontakten på en lös kabel till vägguttaget.
- När du använder förlängningskablar:
- Använd endast en godkänd förlängningskabel som är lämplig för maskinens ström. Kärnorna måste ha en diameter på minst 1,5 mm<sup>2</sup>. När förlängningskabeln sitter på en vinda, rullar du ut kabeln i sin helhet.
- Alla elektriska anslutningar, t.ex. förlängningskabel, måste vara av godkänd vattentät typ för utomhusbruk och märkta i enlighet därmed.

### Stäng av maskinen omedelbart om:

- Strömkontakten eller strömsladden bryts eller strömsladden skadas.
- Brytaren är defekt.
- Det kommer rök eller dålig lukt från bränd isolering.

### SÄRSKILDA SÄKERHETSANVISNINGAR

ANVÄNDNINGS- och UNDERHÅLLS-handboken utgör en viktig del av rengöringsutrustningen och bör förvaras på en säker plats för framtida referens. Om du säljer maskinen ska handboken överlämnas till den nya ägaren.

- Se till att den tar emot vatten korrekt innan du startar högtryckstvätten. Att använda högtryckstvätten utan vatten kan skada tätningarna.
- Dra inte ur kontakten genom att dra i elkabeln.
- Om du är för långt från föremålet du vill rengöra, flytta inte högtryckstvätten närmare genom att dra i högtrycksslangen; använd det medföljande handtaget.
- I versioner som inte är utrustade med TSS-enhet ska du inte använda högtryckstvätten i mer än 1-2 minuter med pistolen stängd eftersom det kan skada tätningarna.
- Skydda högtryckstvätten från kyla på vintern.
- Blockera inte ventilationsgallren under drift.
- Tvärsnittet för alla förlängningskablar som används måste vara proportionellt mot deras längd, dvs. ju längre förlängningskabeln är desto större blir tvärsnittet; kablar med skyddsnivå "IPX5" måste användas.
- Placera högtryckstvätten SÅ NÄRA MÖJLIGT i förhållande till vattentillförseln.



- Förpackningen är återvinningsbar och måste kasseras i enlighet med gällande bestämmelser i installationslandet.
- Använd endast högtryckstvätten med tillbehör och reservdelar som godkänts av tillverkaren. Användning av originaltillbehör och reservdelar säkerställer säker och problemfri drift.
- Rengöringsapparaten måste användas stående på en säker, stabil yta.
- Undvik oavsiktlig tryckning på avtryckaren. Bär inte lansen/avtryckarenheten med handen över avtryckaren. Använd alltid avtryckarlåsmekanismen.
- Se till att säkerhetslåset på avtryckaren används när du har slutat använda högtryckstvätten för att förhindra oavsiktlig användning.
- Läs alla instruktioner innan du använder apparaten.
- Maskiner får inte användas av barn. Barn skall övervakas så att de inte leker med apparaten. Produkten är inte avsedd att användas av personer (inklusive barn) med nedsatt fysisk eller mental förmåga eller brist på erfarenhet och kunskap.
- Anslutningen till elförsörjningen ska göras av en kvalificerad person och överensstämna med IEC 60364-1. Den elektriska matningen till denna maskin bör innehålla en jordfelsbrytare som kommer att avbryta matningen om läckströmmen till jorden överstiger 30 mA.
- Maskinen är avsedd att användas vid en temperatur över 0 grader. (Endast för maskin med nätkabel H05VV-F).
- Användningsmetoden som ska följas vid olyckor (t.ex. kontakt med rengöringsmedel: skölj med ett överflöd av rent vatten) eller haveri för att förhindra osäkra situationer.
- Denna maskin har konstruerats för användning med det rengöringsmedel som levereras eller rekommenderas av tillverkaren. Användning av andra rengöringsmedel eller kemikalier kan påverka maskinens säkerhet negativt.
- Rekommendera operatören att bära hörselskydd.
- Använd inte maskinen nära andra personer om de inte bär skyddskläder.
- Rikta inte strålen mot dig själv eller andra för att rengöra kläder eller skor.
- Explosionsrisk - spruta inte lättantändliga vätskor.
- Högtrycksslangar, fästelement och kopplingar är viktiga för maskinens säkerhet. Använd endast delar, fästelement och kopplingar som rekommenderas av tillverkaren.
- För att garantera maskinsäkerheten, använd endast originaldelar från tillverkaren eller som är godkända av tillverkaren.
- Vatten som har strömmat genom återflödeskyddsmedel anses vara icke-drickbart.
- Maskinen ska kopplas bort från strömkällan genom att ta ut kontakten ur uttaget under rengöring eller underhåll och när maskinen växlas till en annan funktion.
- Observera ett avstånd på minst 30 cm när du använder strålen för att rengöra lackerade ytor för att undvika att skada lacken.
- Använd inte maskinen om en nätsladd eller viktiga delar av maskinen är skadade, t.ex. säkerhetsanordningar, högtrycksslangar, avtryckspistol.
- Om en förlängningssladd används måste kontakten och uttaget vara vattentäta.
- Otillräckliga förlängningssladdar kan vara farliga. Om en förlängningssladd används ska den vara lämplig för utomhusbruk och anslutningen måste hållas torr och borta från marken. Det rekommenderas att detta görs med hjälp av en sladdvinda som håller uttaget minst 60 mm över marken.
- För att undvika riskerna med oavsiktlig återställning av termiska brytaren får inte denna apparat strömförsörjas via en extern brytarehet såsom en timer eller anslutas till en krets som regelbundet slår på och stänger av hjälpmedlet.
- För att garantera maskinsäkerheten, använd endast originaldelar (inklusive munstycken) från tillverkaren eller som är godkända av tillverkaren. Använd inte maskinen innan du byter dem om de är skadade.
- Var försiktig med risken för återslagskraft på sprutenheten när du öppnar avtryckaren och ta tag i avtryckaren med händerna ordentligt.
- För att minska risken för skador är noggrann övervakning nödvändig när en maskin används nära barn. Högtryckstvätten får inte användas av barn eller otränad person.
- Lär dig hur du stannar maskinen och avluftar trycket snabbt. Se till att du är väl bekant med kontrollerna.
- Var uppmärksam och se vad du gör.
- Använd aldrig maskinen när du är trött, sjuk eller under påverkan av alkohol eller droger.
- Håll arbetsområdet fritt från andra personer.

- Översträck dig inte och stå inte på instabilt underlag. Bibehåll alltid ordentligt fotfäste och balans.
- Följ de underhållsinstruktioner som anges i handboken.
- Denna maskin måste jordas. Vid funktionsstörning eller haveri ger jordning en ström med minst motstånd för elektrisk ström för att minska risken för elektriska stötar. Kabeln måste anslutas till ett uttag som är korrekt installerat och jordat i enlighet med alla lokala regler och förordningar. Maskinens märkspänning (V/Hz) måste överensstämja med den lokala nätspänningen.
- Kontakta en kvalificerad elektriker eller servicepersonal om du är osäker på om uttaget är ordentligt jordat. Ändra inte kontakten som medföljer maskinen. Om den inte passar eluttaget ska du ha rätt uttag installerat av en behörig elektriker. Använd inte någon typ av adapter med den här maskinen.
- Använd endast förlängningssladdar som är avsedda för utomhusbruk och uttaget måste vara vattentätt. Dessa förlängningssladdar identifieras med markeringen "Accepteras för användning med utomhusmaskiner; förvara inomhus när den inte används." Använd endast förlängningssladdar som har ett elektriskt värde som inte är lägre än maskinens märkning. Använd inte en skadad förlängningssladd
- Undersök förlängningssladden före användning och byt ut den om den är skadad. Felaktiga förlängningssladdar kan vara farliga. Missbruka inte förlängningssladden och dra inte i någon sladd för att koppla bort den. Håll sladden borta från värme och vassa kanter. Koppla alltid loss förlängningssladden från uttaget innan du kopplar bort maskinen från förlängningssladden.
- För att minska risken för elektrisk stöt, starta inte och kör maskinen i regn eller storm. Håll alla anslutningar torra och borta från marken. Rör inte kontakten med våta händer. Det är strängt förbjudet att låta vatten läcka in i maskinen.
- Håll vattenflödet konstant när maskinen är igång. Utan vattencirkulation kommer maskinens tätningsslingor att skadas.
- Det är nödvändigt att sätta på sprutlansen inom en eller två minuter efter att maskinen startats. Annars kommer temperaturen på det cirkulerande vattnet i maskinen snart att stiga till en kritisk punkt, vilket kommer att skada tätningsslingorna inuti maskinen.
- Starta inte och kör maskinen på en för kall plats för att förhindra att den fryser.
- Denna maskin är konstruerad för att endast använda rengöringsvatten, använd inte frätande kemikalier.
- Använd rengöringsmedel som levereras eller rekommenderas av tillverkaren.
- Högtrycksstrålar kan vara farliga om de används felaktigt. Strålen får inte riktas mot personer, djur, levande elektrisk utrustning eller själva maskinen. Högtryckstvättar bör inte riktas mot däckväggar, eftersom det finns risk att skada dem.
- Rikta inte strålen mot dig själv eller andra för att rengöra kläder eller skor.
- Koppla bort strömförsörjningen innan du utför underhåll av användaren.
- Om nätsladden är skadad måste den bytas ut av tillverkaren, dess servicerepresentant eller motsvarande behörig person för att undvika fara.
- Använd inte maskinen om en nätsladd eller viktiga delar är skadade, t.ex. säkerhetsanordningar, högtrycksslangar, avtryckspistol.
- Var medveten om rekyl som orsakas av vattenstrålen när maskinen slås på.
- När maskinen rör sig och installeras måste den stå plant. Dra i handtaget när du flyttar maskinen för att flytta den.
- Anslutning till vattenförsörjning. Maskinerna är inte lämpliga för anslutning till bärbar vattenledning. Anslut maskinen till vattenförsörjningen. (Det kan vara en vattenbehållare).
- Använd inte röret om det är skadat. Om du vill ansluta maskinen till bärbart vattennät måste du installera en återflödesskydd i vattenledningen för att förhindra att smutsigt vatten rinner tillbaka till dricksvattensystemet. Återflödesskyddet ska uppfylla EN 60335-2-79 BILAGA AA.

## 2. MASKININFORMATION

### Avsedd användning

Högtryckstvätten PW503AC är snabb och effektiv för rengöring av fordon, maskiner, båtar, byggnader etc. Rengör endast fordonsmotorer i områden där lämpliga oljefällor är installerade.

## TEKNISKA SPECIFIKATIONER

Modellnr	PW503AC
Spänning	220-240 V~ 50/60Hz
Ineffekt	2200 W
Max. tryckvattenförsörjning	12 bar
Max vattentemperatur	50 °C
Nominell flödes hastighet	6.5 l/min
Max flödes hastighet	7.5 l/min
Nominellt tryck	120 bar
Max tryck	170 bar
Vikt	12.62 kg
IP-klass	IPX5
Skyddsklass	II
Ljudtrycknivå $L_{PA}$	74.6 dB(A) K=3dB(A)
Ljudeffektnivå $L_{WA}$	88.3 dB(A) K=3dB(A)
Max. $L_{WA}$ (ljudeffekt)	89 dB(A)
Vibration	2.089 m/s <sup>2</sup>

## BESKRIVNING

Siffrorna i texten hänvisar till diagrammen på sidorna 2-5.

1. Högtryckstvätt
2. Strömbrytare
3. Vatteninloppsfilter
4. Slanghållare
5. Vattenutlopp
6. Pistolhållare
7. Handtag
8. Kabelhållare
9. Sprutpistol
10. Justerbar sprutlans
11. Turbolans
12. Lansförlängning
13. Rengöringsnål
14. Tank för rengöringsmedel
15. Uteplatsrengörare
16. Högtrycksslang
17. Justering av rengöringsmedel
18. Munstyckshållare
19. Adapter från gänga till snabbkoppling

## 3. MONTERING



Innan montering ska du alltid stänga av maskinen och dra ut nätkontakten ur vägguttaget.

**Montering av handtag och slanghållare (bild A, B1)**

1. Montera handtaget (7) och slanghållaren (4) enligt bild B1.
2. Dra åt skruvarna.

**Montering av pistolhållare, slanghållare och munstyckshållare (bild A, B2)**

Montera pistolhållare (6), slanghållare (8) och munstyckshållare (18) enligt bild B2.

## 4. ANVÄNDNING



Maskinen kan orsaka elektriska störningar vid start.



Motorn för denna högtryckstvätt går INTE. Den fungerar bara när avtryckaren är intryckt.



Rengöringsmedlet får endast användas med rent vatten. Användning av ofiltrerat vatten eller frätande kemikalier skadar högtryckstvätten.



Om motorn stannar och inte startar igen, vänta 2-3 minuter innan du startar om. **TERMOSÄKRING UTLÖST.**

**Slå på (bild A, C)**

1. Vrid tändningslåset (2) till läge "AV/O".
2. Se till att du har en lämplig vattenförsörjning för att mata högtryckstvätten.
3. Anslut lansen (10/11) enligt bild C1.
4. Anslut högtrycksslangen (16) till brickan enligt bild C2 och anslut sprutpistolen (9) till högtrycksslangen (16) enligt bild C3.
5. Kontrollera att gasfiltret (3) är fritt från eventuella blockeringar och montera det på maskinen enligt bild C4.
6. Anslut vattenslangen.
7. Kontrollera att slangen inte har några veck.
8. Sätt på vattnet och kontrollera om det finns läckor.
9. Kläm avtryckaren så att luft kan släppas ut genom pumpen och slangarna, lås avtryckaren

som visas i bild C5.

10. Anslut maskinen och slå på strömbrytaren (2).
11. Lås upp avtryckaren enligt figur C5 och använd högtryckstvätten.

### Uteplatsrengörare (bild A)

Uteplatsrengöraren (15) är idealisk för rengöring av golv- och väggytor av olika material som trä, plast, betong, kakel och natursten.

1. Anslut uteplatsrengöringslansen till uteplatsrengöraren (15) enligt bild A.
2. Anslut lansförlängningen till (12) uteplatsrengöraren (15).
3. Anslut apparaten till sprutpistolen (9).

### Avstängning (bild A, C)



*Koppla aldrig bort högtrycksslangen (16) från maskinen medan systemet fortfarande är under tryck.*



*Stäng ALLTID av enhetens motor INNAN du stänger av enhetens vattenförsörjning. Allvarliga skador kan uppstå på motorn om enheten körs utan vatten.*

1. Stäng av motorn (tryck tändningslåset (2) till läge Av).
2. Koppla bort enheten från strömkällan.
3. Stäng av vattenförsörjningen.
4. Tryck på avtryckaren på pistolen (9) för att trycksätta systemet.
5. Koppla bort trädgårdsslangen från högtryckstvätten.
6. Sätt i pistolens säkerhetslås enligt bild C5.
7. Torka av alla ytor på enheten med en fuktig, ren trasa.

### Vattenförsörjning



*Denna enhet får endast användas med en kallvattenkälla!*

- Se till att du har en lämplig vattenförsörjning för att mata högtryckstvätten. Kontrollera att alla anslutningar är täta och att det inte finns några läckor i slangen.
- Matningsventilen ska vara helt öppen (slå inte på högtryckstvätten ännu).
- Tryck nu på avtryckaren (lås upp avtryckarlåset först) för att låta vatten passera genom enheten och driva ut eventuell luft.

- Slå på högtryckstvätten när all luft har släppts ut och vatten har nått slutet av lansens.

### Justering av munstycket (bild A, D)

- Vatten kan sprutas ut ur munstycket antingen linjärt eller i fläktform. Sätt på trycket först och justera sedan munstycket.

### Justera arbetstrycket (bild A, E)

Arbetstrycket kan justeras genom att vrida hylsan på munstyckets ände.

- Vrid hylsan medurs för att öka arbetstrycket.
- Vrid hylsan moturs för att minska arbetstrycket.

### Använda rengöringsmedel (bild A, E1)

Den inbyggda rengöringsmedelsdispensern låter dig applicera många former av flytande rengöringsmedel på arbetsytan. Applicering av rengöringsmedel sker endast vid lågt tryck.

- Anslut det justerbara munstycket (10) till pistolen (9).
- Justera munstycket (10) till lågtrycksinställningen "☼".
- Ta bort locket på rengöringsmedelsbehållaren (14) och fyll endast med flytande rengöringsmedel. Tappa inte vatten i behållaren. Högtryckstvätten blandar automatiskt vatten och rengöringsmedel. När du har applicerat rengöringsmedlet på arbetsytan är det möjligt att skölja av rengöringsmedlet med högtrycksinställningen "☼". I högtrycksläge kommer högtryckstvätten inte att avge rengöringsmedel.

### Justera rengöringsmedlets mängd (bild A, E2)

För att justera mängden av tvättmedlet med vattnet vrider du på rengöringsmedelsknappen (17).

- Vrid vänster för att minska mängden tillsatt rengöringsmedel.
- Vrid höger för att öka mängden tillsatt rengöringsmedel.

## 5. UNDERHÅLL



*Stäng alltid av maskinen och ta ut strömkontakten från strömkällan inna rengöring och underhåll.*

Rengör maskinen hus regelbundet med en mjuk trasa, helst efter varje gång du använder maskinen. Se till att ventilationsöppningarna är fria från damm

och smuts. Ta bort mycket ihållande smuts med en mjuk trasa fuktad med tvållösning. Använd inte lösningsmedel som bensin, alkohol, ammoniak osv. Sådana kemikalier skadar de syntetiska komponenterna.

### Vatteninloppsfilter (bild A)

Vatteninloppsfiltret (3) måste inspekteras regelbundet för att undvika blockering och begränsning av vattentillförseln till pumpen.

### Rengöringsmunstycke (bild A, E)

När munstycket är igensatt kan det orsaka fel. Munstycket kan rengöras genom att sätta in rengöringsstiftet (13) i spetsen för att ta bort smuts.

### Förvaring och frostskydd

Högtryckstvätten och tillbehör som inte är helt tömda kan förstöras av frost. Töm högtryckstvätten och tillbehör helt och skydda dem mot frost. Förvara högtryckstvätten i väl ventilerade torra lokaler med en temperatur som inte understiger + 5 °C.

### FEL

Om maskinen inte fungerar korrekt ges ett antal möjliga orsaker och lämpliga lösningar nedan:

#### 1. När maskinen slås på startar den inte.

- Stickkontakten är inte väl ansluten eller eluttaget är defekt.
  - *Kontrollera kontakten, uttaget och säkringen.*
- Nätspänningen är lägre än minimikravet för uppstart.
  - *Kontrollera att nätspänningen är tillräcklig.*
- Pumpen har fastnat.
  - *Se förvaringsanvisningarna. Stäng av enheten och låt motorn svalna.*
- Termisk säkring har löst ut.
  - *Lämna lansen öppen med vatten som kommer igenom.*

#### 2. Fluktuerande tryck

- Pumpen suger luft.
  - *Kontrollera att slangar och anslutningar är lufttäta.*
- Ventilerna är smutsiga, slitna eller fastnat. Pumptätningar slitna.
  - *Rengör och byt ut eller kontakta återförsäljaren.*

#### 3. Vatten läcker från pumpen

- Slitna tätningar.
  - *Rengör och byt ut, eller kontakta återförsäljaren.*

#### 4. Motorn stannar plötsligt

- Termisk säkerhetsbrytare har löst ut på grund av överhettning.
  - *Kontrollera att nätspänningen motsvarar specifikationerna. En förlängningskabel som är för tunn och lång kan orsaka spänningsfall och orsaka överhettning av motorn. Låt svalna. Använd kraftiga förlängningskablar.*

#### 5. Pumpen når inte nödvändigt tryck.

- Vatteninlopp, filter igensatt.
  - *Rengör vatteninloppsfiltret.*
- Pumpa sugluft från anslutningar eller slangar.
  - *Kontrollera att slangar och anslutningar är täta.*
- Sug-/matarventilerna är igensatta eller utslitna.
  - *Kontrollera att vattenslangen inte läcker.*
- Avlastningsventilen har fastnat.
  - *Rensa eller avlufta ventilerna.*
- Lansmunstycket är felaktigt eller slitet.
  - *Lossa och dra åt reglerskruvén och/eller byt ut den igen.*



*Reparationer och service ska endast utföras av en kvalificerad tekniker eller serviceföretag.*

### MILJÖ



*Felaktig och/eller kasserad elektrisk eller elektronisk utrustning måste lämnas in på lämpliga återvinningsstationer.*

### Endast för EU-länder

Kassera inte elverktyg i hushållsavfall. Enligt den europeiska riktlinjen 2012/19/EU om kasserad elektrisk och elektronisk utrustning och dess tillämpning i nationell rätt måste elverktyg som inte längre är användbara samlas in separat och kasseras på ett miljövänligt sätt.

### GARANTI

VONROC produkter är utvecklade enligt högsta kvalitetsstandard och garanteras vara utan defekter både vad gäller material och tillverkning under den period som stipuleras enligt lag med början från

ursprungligt inköpsdatum. Om något fel uppstår på produkten under denna period på grund av material- och/eller tillverkningsfel skall VONROC kontaktas direkt.

Följande omständigheter exkluderas från denna garanti:

- Reparationer eller ändringar som gjorts eller försökt göras på maskinen av ett icke auktoriserat servicecenter.
- Normalt slitage.
- Verktyget har missbrukats, använts fel eller underhållits på felaktigt sätt.
- Icke-originalreservdelar har använts.

Detta utgör hela garantin från företaget, antingen uttryckt eller underförstått. Det finns inga andra garantier, uttalade eller underförstådda som gäller utöver ordalydelsen härav, häri, inklusive de outtalade garantierna för säljbarhet och lämplighet för ett särskilt syfte. Under inga omständigheter skall VONROC hållas ansvarig för några oförutsedda eller indirekta skador. Återförsäljarens åtgärder skall begränsas till reparation eller byte av felaktiga enheter eller delar.

**Med förbehåll för ändringar i produkten och bruksanvisningen. Specifikationer kan ändras utan förvarning.**

## 1. SIKKERHEDSANVISNINGER

Læs de medfølgende sikkerhedsadvarsler, de supplerende sikkerhedsadvarsler og instruktionerne. Såfremt sikkerhedsadvarsler og instruktioner ikke følges, kan dette medføre elektriske stød, brand og/eller alvorlige ulykker. Gem alle sikkerhedsadvarsler og instruktioner til fremtidig reference.

Følgende symboler anvendes i denne brugermanual eller på produktet:



Læs brugermanualen.



Angiver risiko for personskade, dødsfald eller beskadigelse af varmeren i tilfælde af manglende overholdelse af anvisningerne i denne vejledning.



Angiver fare for elektrisk stød.



Ret IKKE vandstrålen mod personer eller dyr. Ret IKKE vandstrålen mod selve enheden, elektriske dele eller mod anden elektronik.



Maskinen er ikke beregnet til at blive forbundet til drikkevandsforsyningen.



Beskyt apparatet mod frost.



Dobbeltisoleret.



Kassér ikke produktet i en forkert container.



Produktet overholder de gældende sikkerhedsstandarder i de europæiske direktiver.

### SIKKERHEDSADVARSLER

Når du bruger el-maskiner, skal du altid overholde de gældende sikkerhedsbestemmelser i dit land for at reducere risikoen for brand, elektrisk stød og personskader. Læs følgende sikkerhedsanvisninger samt de medfølgende sikkerhedsanvisninger.



**ADVARSEL! Læs alle sikkerhedsadvarsler og alle anvisninger.** Hvis advarslerne og vejledningen ikke følges, kan det resultere i elektrisk stød, brand og/eller alvorlige personskader.

**El-sikkerhed**

- Kontroller altid, om din netspænding er i overensstemmelse med værdien på identifikationspladen.
- Ved udskiftning af gamle kabler eller stik:
- Smid øjeblikkeligt gamle kabler eller stik væk, så snart de er blevet udskiftet med nye. Det er farligt at sætte stikket på et løst kabel i stikkontakten.
- Når der bruges forlængerledninger:
- Brug kun en godkendt forlængerledning, der er velegnet til maskinens effekt. Kernerne skal have en diameter på mindst 1,5 mm<sup>2</sup>. Når forlængerledningen sidder på en rulle, skal den rulles helt ud.
- Alle elektriske forbindelser, f.eks. forlængerledning, skal være af en godkendt vandtæt type til udendørs brug og mærket i overensstemmelse hermed.

**Sluk øjeblikkeligt for maskinen, når:**

- Netstikket eller netledningen afbrydes, eller der opstår skader på netledningen.
- Defekt kontakt.
- Røg eller stank af svedet isolering.

**SPECIFIKKE SIKKERHEDSREGLER**

BRUGS- og VEDLIGEHOLDELSES-vejledningen udgør en vigtig del af renseudstyret og skal opbevares et sikkert sted til fremtidig brug. Hvis du sælger renseren, skal vejledningen overdrages til den nye ejer.

- Inden du starter renseren, skal du sørge for, at den modtager vand korrekt. Hvis renseren betjenes uden vand, kan det beskadige forseglingerne.
- Træk ikke stikket ud ved at trække i strømkablet.
- Hvis du befinder dig for langt væk fra den genstand, du vil rengøre, bør du ikke flytte renseren tættere ved at trække i højtryksslangen. Brug det medfølgende håndtag.
- I versioner, der ikke er udstyret med TSS-enhed, må du ikke anvende renseren i mere end 1-2 minutter med pistolen lukket, da dette kan beskadige forseglingerne.
- Beskyt renseren mod frost om vinteren.
- Undlad at blokere ventilationsgitrene under drift.
- Tværsnittet af eventuelt anvendte forlængerledninger skal være proportionalt med deres

længde, dvs. jo længere forlængerledningen er, jo større er tværsnittet. Der skal anvendes ledninger med beskyttelsesniveauet "IPX5".

- Placer renseren SÅ TÆT SOM MULIGT på vandforsyningen.
- Emballagen er nem at genbruge og skal bortskaffes i overensstemmelse med de gældende regler i installationslandet.
- Brug kun renseren med tilbehør og reservedele, der er godkendt af producenten. Brug af originalt tilbehør og reservedele vil sikre en sikker og problemfri drift.
- Renseren skal bruges stående på en sikker, stabil overflade.
- Undgå utilsigtet affyring af aftrækkeren. Undlad at bære lanse-/aftræktersamlingen med hånden over aftrækkeren. Brug altid låsemekanismen til aftrækkeren.
- Sørg for, at sikkerhedslåsen på aftrækkeren anvendes, når du er holdt op med at bruge trykrenseren, for at forhindre utilsigtet drift.
- Læs alle instruktionerne, inden du bruger maskinen.
- Maskiner må ikke anvendes af børn. Børn bør overvåges for at sikre, at de ikke leger med apparatet. Denne maskine er ikke beregnet til at blive brugt af personer (herunder børn) med nedsatte fysiske, sensoriske eller mentale evner eller manglende erfaring og viden.
- Tilslutningen af elforsyningen skal foretages af en kvalificeret person og være i overensstemmelse med IEC 60364-1. Elforsyningen til denne maskine skal omfatte en fejlstrømsafbryder, der afbryder forsyningen, hvis lækstrømmen til jord overstiger 30 mA.
- Maskinen er beregnet til at blive brugt ved en temperatur på over 0 grader. (Kun for maskine med strømledningen H05VV-F).
- Driftsmetoden, der skal følges i tilfælde af en ulykke (f.eks. kontakt med rengøringsmidler: Skyl med rigeligt med rent vand) eller nedbrud for at forhindre usikre situationer.
- Denne maskine er blevet designet til at blive brugt med det medfølgende rengøringsmiddel, eller som anbefalet af producenten. Hvis der bruges andre rengøringsmidler eller kemikalier, kan det have en negativ indvirkning på maskinens sikkerhed.
- Anbefal, at operatøren bruger høreværn.
- Brug ikke maskinen med personer i nærheden, medmindre de bærer beskyttelsesdragt.

- Ret ikke strålen mod dig selv eller andre for at rengøre tøj eller fodtøj.
- Eksplosionsfare – sprøjt ikke brændbare væsker.
- Højtryksslanger, fittings og koblinger er vigtige for maskinens sikkerhed. Brug kun slanger, fittings og koblinger, der anbefales af producenten.
- For at sikre maskinens sikkerhed bør du kun bruge originale dele fra producenten, eller som er godkendt af producenten.
- Vand, der er strømmet gennem tilbagestrømningsventiler, betragtes som ikke-drikkevand.
- Maskinen skal afbrydes fra strømkilden ved at trække stikket ud af stikkontakten under rengøring eller vedligeholdelse, og når maskinen udskiftes til en anden funktion.
- Overhold en afstand på mindst 30 cm, når du bruger strålen til at rengøre malede overflader, for at undgå at beskadige malingen.
- Brug ikke maskinen, hvis en netledning eller vigtige dele af maskinen er beskadiget, f.eks. sikkerhedsanordninger, højtryksslanger, aftrækkerpistol.
- Hvis der anvendes en forlængerledning, skal stikket og kontakten være vandtætte.
- Upassende forlængerledninger kan være farlige. Hvis der anvendes en forlængerledning, skal den være velegnet til udendørs brug, og forbindelsen skal holdes tør og væk fra jorden. Det anbefales, at dette opnås ved hjælp af en ledningsrulle, der holder kontakten mindst 60 mm over jorden.
- For at undgå en fare på grund af utilsigtet nulstilling af termosikringen må dette apparat ikke forsynes via en ekstern koblingsenhed, såsom en timer, eller tilsluttes et kredsløb, der regelmæssigt tændes og slukkes af forsynings-selskabet.
- For at sikre maskinens sikkerhed bør du kun bruge originale dele (herunder mundstykke) fra producenten, eller som er godkendt af producenten. Brug ikke maskinen, før du har udskiftet dem, hvis der er beskadigede.
- Pas på faren for tilbageslagskraft på sprøjtesamlingen, når du åbner aftrækkerpistolen, og tag godt fat i pistolen med hænderne.
- For at mindske risikoen for personskade skal maskinen overvåges nøje, når den bruges i nærheden af børn. Højtryksrenseren må ikke bruges af børn eller en utrænnet person.
- Du skal vide, hvordan maskinens stoppes, og hvordan trykket udluftes hurtigt. Vær godt bekendt med kontrolfunktionerne.
- Vær opmærksom og hold øje med, hvad du laver.
- Brug aldrig maskinen, når du er træt eller påvirket af alkohol eller stoffer.
- Hold driftsområdet fri for alle personer.
- Undlad at strække dig for langt eller stå på en ustabil støtte. Hold altid et godt fodfæste og balancen.
- Følg vedligeholdelsesinstruktionerne, der er specificeret i vejledningen.
- Denne maskine skal forbindes til jord. Hvis den har en funktionsfejl eller bryder sammen, giver jordforbindelse en sti med mindst modstand til elektrisk strøm for at reducere risikoen for elektrisk stød. Stikket skal sættes i en passende stikkontakt, der er korrekt installeret og jordforbundet i overensstemmelse med alle lokale love og bestemmelser. Maskinens mærkespænding (V/Hz) skal være i overensstemmelse med den lokale strømforsyningsspænding.
- Kontakt en kvalificeret elektriker eller servicepersonale, hvis du er i tvivl om, hvorvidt stikkontakten har korrekt jordforbindelse. Undlad at modificere stikket, der følger med maskinen. Hvis det ikke passer til stikkontakten, skal du få en passende stikkontakt installeret af en kvalificeret elektriker. Brug ikke nogen form for adapter med denne maskine.
- Brug kun forlængerledninger, der er beregnet til udendørs brug, og en vandtæt kontakt. Disse forlængerledninger er identificeret med mærket "Acceptabel til brug sammen med udendørs maskiner; skal opbevares indendørs, mens den ikke er i brug." Brug kun forlængerledninger med en elektrisk klassificering, der ikke er mindre end maskinens nominelle værdi. Anvend ikke beskadigede
- forlængerledninger. Undersøg forlængerledningen inden brug, og udskift den, hvis den er beskadiget. Upassende forlængerledninger kan være farlige. Misbrug ikke forlængerledningen, og hiv ikke ledningen ud for at afbryde forbindelsen. Hold ledningen væk fra varme og skarpe kanter. Tag altid forlængerledningen ud af stikkontakten, før du frakobler maskinen fra forlængerledningen.
- For at reducere risikoen for elektrisk stød må du ikke starte og køre maskinen i regn eller storm.



Hold alle forbindelser tørre og væk fra jorden. Undlad at røre ved stikket med våde hænder. Det er strengt forbudt at lade vand lække ind i maskinen.

- Bevar en konstant vandforsyning, når maskinen kører. Uden vandcirkulation vil maskinens tætningsringe blive beskadigede.
- Sprøjtelansen skal tændes inden for et eller to minutter, efter maskinen er blevet startet. Ellers vil temperaturen af det cirkulerende vand i maskinen snart stige til et kritisk punkt, hvilket vil forårsage beskadigelse af tætningsringene inde i maskinen.
- Undlad at starte og køre maskinen på et sted, der er meget koldt, for at forhindre frost i maskinen.
- Denne maskine er designet til kun at bruge rens vand, og der må ikke bruges ætsende kemikalier.
- Brug det rengøringsmiddel, der medfølger eller anbefales af producenten.
- Højtryksstråler kan være farlige, hvis de udsættes for misbrug. Strålen må ikke rettes mod personer, dyr, strømført elektrisk udstyr eller selve maskinen. Højtryksrensere bør ikke rettes mod dækooverflader, da de muligvis kan beskadiges.
- Ret ikke strålen mod dig selv eller andre for at rengøre tøj eller fodtøj.
- Afbryd forbindelsen til strømforsyningen, inden du foretager brugervedligeholdelse.
- Hvis netkablet er beskadiget, skal det udskiftes af producenten eller dens serviceagent eller lignende kvalificeret person for at undgå farer.
- Brug ikke maskinen, hvis en netledning eller vigtige dele er beskadiget, f.eks. sikkerhedsanordninger, højtryksslanger, aftrækkerpistol.
- Vær opmærksom på rekylen forårsaget af vandstrålen, når maskinen tændes.
- Når maskinen er i bevægelse og er ved at installere, skal maskinen være flad. Når du flytter maskinen, skal du trække i håndtaget for at flytte den.
- Slut den til vandforsyningen. Maskinerne er ikke velegnede til at blive sluttet til drikkevandsforsyningen. Forbind maskinen til vandforsyningen. (Det kan være en vandbeholder).
- Brug ikke røret, hvis røret er beskadiget. Hvis du vil slutte denne maskine til drikkevandsforsyningen, skal du installere en tilbagestrømningsventil for at forhindre, at der strømmer beskidt vand tilbage i drikkevandssystemet.

Tilbagestrømningsventilen skal være i overensstemmelse med EN 60335-2-79 ANNEX AA.

## 2. MASKINOPLYSNINGER

### Tilsigtet brug

Højtryksrenseren PW503AC er hurtig og effektiv til rengøring af køretøjer, maskiner, både, bygninger osv. Rengør kun køretøjsmotorer i områder, hvor der er installeret velegnede olieafvædere.

### TEKNISKE SPECIFIKATIONER

Model nr.	PW503AC
Spænding	220-240 V~ 50/60Hz
Indgangseffekt	2200 W
Maks. tryk af vandforsyning	12 bar
Maks. vandtemperatur	50 °C
Nominel strømningshastighed	6.5 l/min
Maks. strømningshastighed	7.5 l/min
Nominelt tryk	120 bar
Maks. tryk	170 bar
Vægt	12.62 kg
IP-klasse	IPX5
Beskyttelsesklasse	II
Lydtrykniveau $L_{pa}$	74.6 dB(A) K=3dB(A)
Lydtrykeffekt $L_{wa}$	88.3 dB(A) K=3dB(A)
Maks. $L_{WA}$ lydeffekt)	89 dB(A)
Vibration	2.089 m/s <sup>2</sup>

### BESKRIVELSE

Tallene i teksten henviser til diagrammerne på side 2-5.

1. Højtryksrenser
2. Tænd/sluk-kontakt
3. Vandindløbsfilter
4. Slangeholder
5. Vandudgang
6. Pistolholder
7. Håndtag
8. Kabelholder
9. Sprøjtetpistol
10. Justerbar sprøjtelanse
11. Turbolanse
12. Lanseforlængelse

13. Rengøringsnål
14. Rengøringsmiddelbeholder
15. Terrasse-reuser
16. Højtryksslange
17. Justering af rengøringsmiddel
18. Mundstykkeholder
19. Adapter fra gevind til hurtigkonnektor

### 3. SAMLING



*Inden montering, skal maskinen altid slukkes, og netstikket skal tages ud af stikkontakten.*

#### Montering af håndtaget og slangeholderen (fig. A, B1)

1. Monter håndtag (7) og slangeholder (4) som vist i fig. B1.
2. Stram skrueene.

#### Montering af pistolholderen, kabelholderen og mundstykkeholderen (fig. A, B2)

Monter pistolholder (6), kabelholder (8) og mundstykkeholder (18) som vist i fig. B2.

### 4. DRIFT



*Maskinen kan forårsage elektriske forstyrrelser under start.*



*Denne trykreusers motor kører IKKE. Den fungerer kun, når der presses på aftrækkeren.*



*Renseren må kun bruges med rent vand – brug af ufiltreret vand eller ætsende kemikalier vil beskadige renseren.*



*Hvis motoren stopper og ikke genstarter, skal du vente 2-3 minutter, inden du genstarter den. TERMOSIKRING UDLØST.*

#### Aktivering (fig. A, C)

1. Drej kontakten (2) til positionen "OFF/0".
2. Sørg for, at du har en passende strømforsyning til trykreuseren.
3. Forbind lansen (10 / 11) som vist i fig. C1.
4. Forbind højtryksslangen (16) til renseren, som vist i fig. C2, og forbind sprøjtetipen (9) til højtryksslangen (16), som vist i fig. C3.
5. Kontroller, at gazefilteret (3) er fri for blokeringer,

- og monter det på maskinen som vist i fig. C4.
6. Forbind vandforsyningsslangen.
7. Kontrollér, at slangen ikke har nogen knæk.
8. Tænd for vandet, og se efter lækager.
9. Klem aftrækkeren for at lukke luft ud gennem pumpen og slangerne, og lås aftrækkeren som vist i fig. C5.
10. Tilslut maskinen og tænd for kontakten (2).
11. Lås op for aftrækkeren som vist i fig. C5, og brug trykreuseren.

#### Terrasse-reuser (fig. A)

Terrasse-reuseren (15) egner sig perfekt til rengøring af gulv- og vægoverflader lavet af forskellige materialer såsom træ, plastik, beton, fliser og natursten.

1. Forbind terrasse-reuserens lanse til terrasse-reuseren (15) som vist i figur A.
2. Forbind lanseforlængelsen til (12) terrasse-reuseren (15).
3. Forbind sættet til sprøjtetipen (9).

#### Nedlukning(fig. A, C)



*Afbryd aldrig højtryksslangen (16) fra maskinen, mens systemet stadig er under tryk.*



*Sluk ALTID for enhedens motor, FØR du slukker for enhedens vandforsyning. Der kan opstå alvorlige skader på motoren, hvis enheden kører uden vand.*

1. Sluk for motoren (drej kontakten (2) til den slukkede position).
2. Frakobl enheden fra strømkilden.
3. Sluk for vandforsyningen.
4. Tryk på aftrækkeren på pistolen (9) for at fjerne trykket i systemet.
5. Frakobl haveslangen fra trykreuseren.
6. Aktiver pistolens sikkerhedslås som vist i fig. C5.
7. Tør alle enhedens overflader med en fugtig ren klud.

#### Vandforsyning



*Denne enhed må kun bruges med koldt vand!*

- Sørg for, at du har en passende strømforsyning til trykreuseren. Kontroller, at alle forbindelser er tætte, og at der ikke er lækager i slangen.

- Forsyningsshanen skal være helt åben (tænd ikke højtryksrenseren endnu).
- Tryk nu på aftrækkeren (lås først aftrækkerlåsen op) for at lade vand passere gennem enheden og presse eventuel luft ud.
- Tænd for trykrenseren, når al luften er blevet presset ud, og vandet er nået op til enden af lansen.

#### Justering af mundstykket (fig. A, D)

- Vand kan enten sprøjtes ud af mundstykket lineært eller i en blæserform. Tænd først for trykket, og juster derefter mundstykket.

#### Justering af driftstrykket (fig. A, E)

Driftstrykket kan justeres ved at dreje røret for enden af mundstykket.

- Drej røret med uret for at øge driftstrykket.
- Drej røret mod uret for at reducere driftstrykket.

#### Brug af rengøringsmidler (fig. A, E1)

Den indbyggede beholder til rengøringsmiddel giver dig mulighed for at anvende mange forskellige slags flydende rengøringsmidler på arbejdsfladen. Anvendelse af rengøringsmiddel sker kun ved lavt tryk.

- Forbind det justerbare mundstykke (10) til pistolen (9).
- Juster mundstykket (10) til lavtrykindstilling "☼".
- Fjern hættten på beholderne til rengøringsmiddel (14) og fyld den kun med flydende rengøringsmiddel. Hæld ikke noget vand i beholderen. Trykrenseren vil blande vand og rengøringsmiddel automatisk. Når du er færdig med at påføre rengøringsmidlet på arbejdsfladen, kan rengøringsmidlet sprøjtes af ved hjælp af højtryksindstillingen "☼". I højtrykstilstand vil trykrenseren ikke udsende rengøringsmidlet.

#### Justering af vaskemiddelhastighed (fig. A, E2)

For at justere hastigheden blandes vaskemiddel med vandet du kan dreje vaskemiddelknappen (17).

- Drej til venstre for at mindske mængden af vaskemiddel tilføjet.
- Drej til højre for at øge mængden af vaskemiddel tilføjet.

## 5. VEDLIGEHOLDELSE



*Før rengøring og vedligeholdelse skal du altid slukke for maskinen og trække netstikket ud af kontakten.*

Rengør maskinbeklædningerne regelmæssigt med en blød klud, helst efter hver anvendelse. Sørg for, at der ikke er støv eller snavs i ventilationsåbningerne. Fjern snavs, der sidder meget godt fast, med en blød klud, der er fugtet i sæbevand. Brug ikke opløsningsmidler, som f.eks. benzin, sprit, ammoniak osv. Kemikalier som disse beskadiger de syntetiske komponenter.

#### Vandindløbsfilter (fig. A)

Vandindløbsfilteret (3) skal efterses regelmæssigt for at undgå blokering og begrænsning af vandforsyningen til pumpen.

#### Rengøring af mundstykke (fig. A, E)

Når mundstykket er tilstoppet, kan det forårsage funktionsfejl. Mundstykket kan rengøres ved at indsætte 'rengøringsstiften' (13) i spidsen for at fjerne snavs.

#### Opbevaring og frostbeskyttelse

Højtryksrenseren og tilbehør, der ikke drænes helt, kan blive ødelagt af frost. Dræn højtryksrenseren og tilbehøret fuldstændigt, og beskyt dem mod frost.

Opbevar højtryksrenseren på et tørt sted med god udluftning og en temperatur, der ikke kommer ned under +5 °C.

#### FUNKTIONSFEJL

Hvis maskinen ikke virker korrekt, er der angivet en række mulige årsager og de passende løsninger herunder:

##### 1. Når den tændes, begynder maskinen ikke at virke.

- Stikket er ikke godt tilsluttet, eller stikkontakten er defekt.
  - *Kontroller stik, kontakt og sikring.*
- Netspændingen er lavere end mindstekravet til opstart.
  - *Kontroller, at netspændingen er passende.*
- Pumpen sidder fast.
  - *Se instruktionerne til efter opbevaring. Sluk for enheden og lad motoren køle ned.*

- Termosikkerheden er udløst.
  - *Lad lansen være åben, så der kommer vand igennem.*

## 2. Svingende tryk

- Pumpe suger luft.
  - *Kontroller, at slanger og forbindelser er lufttætte.*
- Ventiler beskidte, slidt op eller sidder fast. Pumpetætninger slidt.
  - *Rengør og udskift eller kontakt forhandler.*

## 3. Der lækker vand fra pumpen

- Tætninger slidt op.
  - *Kontroller og udskift eller kontakt forhandler.*

## 4. Motoren stopper pludselig

- Termosikkerhedskontakt er blevet udløst pga. overophedning.
  - *Kontroller, at netspændingen stemmer overens med specifikationer. En forlængerledning, der er for tynd og for lang, kan forårsage spændingsfald og få motoren til at blive overophedet. Lad motoren køle ned. Brug kraftige forlængerledninger.*

## 5. Pumpen når ikke det nødvendige tryk.

- Vandindløb, filter er tilstoppet.
  - *Rengør vandindløbsfilteret.*
- Pumpe suger luft fra forbindelser eller slanger.
  - *Kontroller, at alle forsyningsforbindelser er tætte.*
- Suge-/leveringsventiler er tilstoppede eller slidt op.
  - *Kontroller, at vandtilførselsslangen ikke lækker.*
- Aflastningsventil sidder fast.
  - *Rens eller udluft ventiler.*
- Lansemundstykke forkert eller slidt op.
  - *Løsn og genstram reguleringsskrue, kontroller og/eller udskift.*



*Reparationer og service bør kun udføres af en kvalificeret tekniker eller et servicefirma.*

## MILJØ



*Defekte og/eller bortskaffede elektriske og elektroniske apparater skal afleveres på en passende genbrugsstation.*

## Kun for lande i EU

Maskinværktøj må ikke bortskaffes sammen med husholdningsaffald. Ifølge EU-direktiv 2012/19/EU om affald af elektrisk og elektronisk udstyr og dets gennemførelse i den nationale lovgivning skal maskinværktøjer, der ikke længere anvendes, afleveres separat og bortskaffes på en miljøvenlig måde.

## GARANTIVILKÅR

VONROC produkter er udviklet efter de højeste kvalitetsstandarder og er garanteret fri for mangler i såvel materialer som udførelse i den lovpligtige periode, der starter fra datoen for det oprindelige køb. Skulle produktet udvikle nogen fejl i løbet af denne periode på grund af defekte materialer og/eller fabrikationsfejl, så kontakt VONROC direkte.

De følgende forhold er udelukket fra denne garanti:

- Reparationer og eller rettelser er blevet foretaget eller forsøgt foretaget på maskinen af uautoriserede servicecentre:
- Normal slitage.
- Værktøjet har været misligholdt, misbrugt eller vedligeholdt forkert.
- Ikke originale reservedele er blevet anvendt.

Dette udgør den eneste garanti fra virksomheden enten udtrykt eller underforstået. Der er ingen andre garantier udtrykt eller underforstået, som strækker sig ud over forsiden heraf, herunder underforståede garantier for salgbarhed og egnethed til et bestemt formål. VONROC vil under ingen omstændigheder være ansvarlig for hændelige skader eller følgeskader. Forhandlernes afhjælpningsmidler vil være begrænsede til reparation eller udskiftning af fejlbehæftede enheder eller dele.

**Produktet og brugermanualen kan ændres. Specifikationer kan ændres uden forudgående varsel.**

## 1. INSTRUKCJE BEZPIECZEŃSTWA

Przeczytać dołączone ostrzeżenia dotyczące bezpieczeństwa, dodatkowe ostrzeżenia dotyczące bezpieczeństwa oraz instrukcję. Nieprzestrzeganie ostrzeżeń dotyczących bezpieczeństwa oraz instrukcji może prowadzić do porażenia prądem, pożaru i/lub poważnych obrażeń ciała. Zachować ostrzeżenia dotyczące bezpieczeństwa oraz instrukcje na przyszłość.

Następujące symbole są umieszczone w instrukcji obsługi lub na produkcie:



*Przeczytać instrukcję obsługi.*



*Oznacza ryzyko obrażeń ciała, śmierci lub uszkodzenia narzędzia w razie nieprzestrzegania poleceń z instrukcji.*



*Oznacza ryzyko porażenia prądem.*



*NIE kierować strumienia wody na ludzi lub zwierzęta.  
NIE kierować strumienia wody na myjkę, części elektryczne lub inne urządzenia elektryczne.*



*Maszyna nie jest przeznaczona do podłączania do sieci wodociągowej.*



*Urządzenie chronić przed mrozem.*



*Podwójna izolacja.*



*Nie wyrzucać produktu do nieodpowiednich pojemników.*



*Produkt spełnia wymagania odpowiednich norm bezpieczeństwa podanych w dyrektywach UE.*

### OSTRZEŻENIA DOTYCZĄCE BEZPIECZEŃSTWA

Podczas korzystania z elektronarzędzi należy zawsze przestrzegać krajowych przepisów BHP w celu ograniczenia ryzyka pożaru, porażenia prądem i obrażeń ciała. Przeczytać poniższe instrukcje dotyczące bezpieczeństwa oraz dołączone instrukcje dotyczące bezpieczeństwa.



**UWAGA! Przeczytać wszystkie ostrzeżenia dotyczące bezpieczeństwa i wszystkie instrukcje.** Nieprzestrzeganie wszystkich poniższych instrukcji może być przyczyną porażenia prądem, pożaru i/lub poważnych obrażeń.

### Bezpieczeństwo elektryczne

- Zawsze sprawdzać, czy napięcie w sieci jest zgodne z parametrami podanymi na tabliczce znamionowej.
- W przypadku wymiany starych kabli lub wtyczek:
- Pozbyć się starych kabli i wtyczek niezwłocznie po ich wymianie na nowe. Włożenie wtyczki niepodłączonego kabla do gniazda sieciowego jest niebezpieczne.
- W przypadku korzystania z przedłużaczy:
- Używać jedynie atestowanego przedłużacza odpowiedniego dla mocy maszyny. Przewody muszą mieć średnicę co najmniej 1,5 mm<sup>2</sup>. Jeśli kabel przedłużeniowy jest nawinięty na bęben, należy rozwinąć go całkowicie.
- Wszystkie połączenia elektryczne, np. kabel przedłużeniowy, muszą być atestowane, wodoodporne i przeznaczone do użytku na zewnątrz pomieszczeń oraz odpowiednio oznaczone.

### Niezwłocznie wyłączyć maszynę w przypadku:

- Przerwania wtyczki zasilania sieciowego albo przewodu sieciowego lub uszkodzenia przewodu sieciowego.
- Usterki włącznika.
- Pojawienia się dymu lub zapachu palonej izolacji.

### SZCZEGÓLNE ZASADY BEZPIECZEŃSTWA

Instrukcja OBSŁUGI I KONSERWACJI stanowi integralną część wyposażenia myjki i należy ją przechowywać w bezpiecznym miejscu, aby móc skorzystać z niej w przyszłości. W przypadku sprzedaży myjki instrukcję należy przekazać nowemu właścicielowi.

- Przed włączeniem myjki sprawdzić, czy poprawnie dopływa do niej woda. Użytkowanie myjki bez dopływu wody może spowodować uszkodzenie uszczelki.
- Nie odłączać wtyczki z gniazdka, ciągnąc za kabel.
- Jeśli jest się zbyt daleko od przedmiotu wymagającego oczyszczenia, nie przybliżać

- myjki, ciągnąc za wąż ciśnieniowy. Zamiast tego należy użyć rączki myjki.
- W wersjach niewyposażonych w urządzenie TSS, nie pozostawiać włączonyj myjki przez więcej niż 1-2 minuty z zamkniętym uchwytem pistoletowym, ponieważ może to spowodować uszkodzenie uszczelk.
  - Chronić myjkę przed zamarznięciem zimą.
  - Nie zasłaniać kratki wentylacyjnych podczas pracy.
  - Średnica używanych kabli przedłużeniowych musi być proporcjonalna do ich długości, tzn. im dłuższy kabel przedłużeniowy, tym większy musi być przekrój. Należy używać kabli o klasie ochrony „IPX5”.
  - Ustawić myjkę JAK NAJBLIŻEJ źródła zasilania w wodę.
  - Opakowanie doskonale nadaje się do recyklingu i należy je zutylizować zgodnie z przepisami obowiązującymi w kraju instalacji.
  - Używać myjki jedynie w połączenie z akcesoriami i częściami zamiennymi wyznaczonymi przez producenta. Użytkowanie oryginalnych akcesoriów i części zamiennych zapewnia bezpieczną i bezproblemową pracę.
  - Podczas użytkowania myjka musi stać na solidnym i stabilnym podłożu.
  - Unikać przypadkowego wciskania przełącznika spustowego. Nie przenosić zespołu lanca/ przełącznik spustowy z ręką na przełączniku. Zawsze używać mechanizmu blokady przełącznika spustowego.
  - Dopilnować, aby blokada przełącznika spustowego została użyta po zaprzestaniu użytkowania myjki, aby zapobiec przypadkowemu włączeniu.
  - Przeczytać instrukcję w całości przed rozpoczęciem korzystania z maszyny.
  - Maszyn nie mogą obsługiwać dzieci. Dzieci muszą pozostawać pod opieką, aby nie mogły bawić się maszyną. Maszyna nie jest przeznaczona do użytku przez osoby (w tym dzieci) o ograniczonych zdolnościach fizycznych, sensorycznych lub umysłowych bądź też nieposiadające doświadczenia i wiedzy.
  - Złącze zasilania musi zostać wykonane przez odpowiednio wykwalifikowaną osobę i być zgodne z IEC 60364-1. Układ zasilania maszyny musi zawierać wyłącznik różnicowoprądowy, który przerwie zasilanie, jeśli natężenia rozproszenia prądu przekroczy 30 mA.
  - Maszyna jest przeznaczona do użytku w temperaturze powyżej 0 stopni. (Dotyczy tylko maszyn z kablem zasilania H05VV-F).
  - Sposób obsługi, który należy stosować w razie wypadku (np. styczność z detergentami: przepłukać dużą ilością czystej wody) lub awarii, aby zapobiec niebezpiecznym sytuacjom.
  - Ta maszyna jest przeznaczona do użytku ze środkiem czyszczącym dostarczonym lub zalecanym przez producenta. Użycie innych środków czyszczących lub chemicznych może wpływać negatywnie na bezpieczeństwo maszyny.
  - Zaleca się, aby operator korzystał z ochronników słuchu.
  - Nie używać maszyny, jeśli w zasięgu jej pracy znajdują się inne osoby, chyba że noszą one ubrania ochronne.
  - Nie kierować strumienia na siebie lub inne osoby w celu oczyszczenia odzieży lub obuwia.
  - Ryzyko wybuchu - nie przyskać łatwopalnymi płynami.
  - Węże i złączki ciśnieniowe mają duże znaczenie dla bezpieczeństwa maszyny. Używać jedynie węży i złączek zalecanych przez producenta.
  - Aby zapewnić bezpieczeństwo maszyny, używać jedynie oryginalnych części zamiennych dostarczonych lub zatwierdzonych przez producenta.
  - Woda, jaka przepłynęła przez przerywacz próżni jest uznawana za niezdatną do picia.
  - Maszynę należy odłączać od źródła zasilania poprzez wyjęcie wtyczki z gniazdka na czas czyszczenia lub konserwacji oraz podczas zmiany funkcji maszyny.
  - Zachowywać odstęp co najmniej 30 cm podczas używania strumienia do czyszczenia powierzchni malowanych lub lakierowanych, aby uniknąć ich uszkodzenia.
  - Nie używać maszyny, jeśli kabel zasilania lub ważne części maszyny są uszkodzone, np. urządzenia zabezpieczające, węże ciśnieniowe, uchwyt pistoletowy.
  - W przypadku korzystania z przedłużacza, jego wtyczka i gniazdko muszą być wodoszczelne.
  - Nieodpowiednie kable przedłużeniowe mogą być niebezpieczne. W przypadku korzystania z kabla przedłużeniowego, kabel musi być odpowiedni do użytku na zewnątrz pomieszczeń, a połączenia należy chronić przed wodą i wilgocią oraz zabezpieczyć przed kontaktem z podłożem. Zalecamy korzystanie

z bębna na kabel, utrzymującego gniazdko na wysokości co najmniej 60 mm nad ziemią.

- Aby uniknąć zagrożenia w wyniku przypadkowego wyzerowania bezpiecznika termicznego, urządzenia nie można zasilać za pośrednictwem zewnętrznego przełącznika, np. wyłącznika czasowego, ani podłączać do obwodu, który jest regularnie włączany i wyłączany przez dystrybutora energii.
- Aby zapewnić bezpieczeństwo maszyny, należy używać jedynie oryginalnych części zamiennych (w tym dyszy) dostarczonych lub zatwierdzonych przez producenta. Nie używać maszyny przed ich wymianą, jeśli są uszkodzone.
- Uważać na niebezpieczeństwo związane z siłą odrzutu zespołu natryskowego podczas otwarcia uchwytu pistoletowego z przełącznikiem spustowym i mocno chwycić uchwyt pistoletowy rękami.
- Aby ograniczyć ryzyko obrażeń ciała, w przypadku korzystania z maszyny w pobliżu dzieci należy zapewnić im uważną opiekę. Myjki ciśnieniowej nie mogą używać dzieci ani osoby nieprzeszkolone.
- Poznać sposób szybkiego zatrzymywania maszyny i zwalniania ciśnienia. Dobrze zapoznać się z elementami sterującymi.
- Zachowywać czujność i uważać na to, co się robi.
- Nie obsługiwać maszyny, jeśli jest się zmęczonym lub pod wpływem alkoholu lub narkotyków.
- W obszarze pracy nie mogą pozostawać żadne osoby postronne.
- Nie sięgać za daleko ani nie stawiać na niestabilnych podporach. Zawsze utrzymywać dobre podparcie dla stóp i równowagę.
- Postępować zgodnie z instrukcją konserwacji opisaną w instrukcji obsługi.
- Ta maszyna musi być uziemiona. Jeśli wystąpi usterka lub awaria maszyny, uziemienie zapewni ścieżkę najmniejszego oporu dla prądu elektrycznego, ograniczając ryzyko porażenia prądem. Wtyczkę należy włączyć do odpowiedniego gniazdka, które jest odpowiednio zainstalowane i uziemione, zgodnie z wszystkimi obowiązującymi przepisami krajowymi. Napięcie znamionowe (V/Hz) maszyny musi być zgodne z lokalnym napięciem zasilania.
- W razie wątpliwości, przy pomocy wykwalifikowanego elektryka lub serwisanta należy sprawdzić, czy gniazdko jest poprawnie uziemione. Nie modyfikować wtyczki dołączonej do maszyny. Jeśli

wtyczka nie pasuje do gniazdka, zlecić instalację odpowiedniej wtyczki wykwalifikowanemu elektrykowi. Nie używać żadnego rodzaju adapterów/przejęściówek w połączeniu z maszyną.

- Używać jedynie kabli przedłużeniowych przeznaczonych do użytku na zewnątrz pomieszczeń; gniazdko musi mieć wodoszczelną budowę. Takie kable przedłużeniowe są oznaczone tekstem o treści zbliżonej do „Przeznaczony do użytku z maszynami na zewnątrz pomieszczeń; przechowywać w pomieszczeniu, gdy nie jest używany”. Używać jedynie kabli przedłużeniowych przeznaczonych do pracy z parametrami zasilania nie mniejszymi niż parametry wymagane przez maszynę. Nie używać uszkodzonych kabli przedłużeniowych. Sprawdzać kabel przedłużeniowy przed użyciem i wymienić go, jeśli jest uszkodzony. Nieodpowiednie kable przedłużeniowe mogą być niebezpieczne. Obchodzić się delikatnie z kablami przedłużeniowymi i nie szarpać za kabel w celu odłączenia od gniazdka. Chronić kabel przed gorącym i ostrymi krawędziami. Zawsze odłączać kabel przedłużeniowy od gniazdka przez odłączeniem maszyny od kable przedłużeniowego.
- Aby ograniczyć ryzyko porażenia prądem, nie uruchamiać maszyny i nie używać jej podczas deszczu lub burzy. Chronić wszystkie połączenia przed wodą i wilgocią oraz przed stycznością z gruntem. Nie dotykać wtyczki mokrymi rękami. Nie wolno pozwolić na to, aby woda przeciekła do wewnątrz maszyny.
- Gdy maszyna pracuje, należy utrzymywać stały dopływ wody. Brak obiegu wody powoduje uszkodzenie uszczelek maszyny.
- Lancę natryskową należy włączyć w czasie od jednej do dwóch minut od uruchomienia maszyny. W przeciwnym razie temperatura wody pozostającej w obiegu w maszynie szybko wzrośnie do krytycznej wartości, co spowoduje uszkodzenie uszczelek w maszynie.
- Nie uruchamiać i nie pracować maszyną w miejscu zbyt zimnym, aby zapobiec jej zamarznięciu.
- Ta maszyna jest przeznaczona do użytku wyłącznie z użyciem wody do mycia i nie wolno korzystać z żrących środków chemicznych.
- Używać środka czyszczącego dostarczonego lub zalecanego przez producenta.
- Błędne zastosowanie strumienia pod wysokim ciśnieniem może być niebezpieczne. Strumienia nie wolno kierować na ludzi, zwierzęta,



urządzenia elektryczne pod napięciem ani na samą maszynę. Strumienia z myjki ciśnieniowej nie wolno kierować na boczne ścianki opon, ponieważ może to je uszkodzić.

- Nie kierować strumienia na siebie lub inne osoby w celu oczyszczenia odzieży lub obuwia.
- Odłączać od zasilania elektrycznego przed rozpoczęciem konserwacji.
- Jeśli kabel zasilania jest uszkodzony, musi go wymienić producent, jego przedstawiciel serwisowy lub podobnie, odpowiednio wykwalifikowana osoba, aby uniknąć zagrożenia.
- Nie używać maszyny, jeśli kabel zasilania lub ważne części maszyny są uszkodzone, np. urządzenia zabezpieczające, węże ciśnieniowe, uchwyt pistoletowy.
- Uważać na siłę odrzutu powodowaną przez strumień wody w momencie włączenia maszyny.
- Podczas przemieszczania i instalacji maszyna musi być ustawiona płasko. Podczas przemieszczania ciągnąć maszynę za rączkę.
- Podłączać do dopływu wody. Maszyny nie nadają się do podłączania do przenośnych sieci wodociągowych. Podłączyć maszynę do dopływu wody. (Może być to zbiornik z wodą).
- Nie używać rury, jeśli jest uszkodzona. Jeśli chce się podłączyć maszynę do przenośnej sieci wodociągowej, należy zamontować przerywacz próżni w wodociągu, aby zanieczyszczona woda nie mogła wpływać do sieci z wodą pitną. Przerywacz próżni musi być zgodny z EN 60335-2-79 ANNEX AA.

## 2. INFORMACJE O MASZYNE

### Przeznaczenie

Myjka ciśnieniowa PW503AC zapewnia szybki i skuteczny sposób czyszczenia pojazdów, maszyn, łodzi, budynków itp. Silniki pojazdów czyścić jedynie w odpowiednich miejscach, w których zamontowano zabezpieczenia przed przedostawaniem się wody do oleju.

### DANE TECHNICZNE

Nr modelu	PW503AC
Napięcie	220-240 V~ 50/60Hz
Moc wejściowa	2200 W
Maks. ciśnienie dopływu wody	12 bar
Maks. temperatura wody	50 °C

Przepływ znamionowy wody	6.5 l/min
Maks. przepływ wody	7.5 l/min
Ciśnienie znamionowe	120 bar
Ciśnienie maks.	170 bar
Ciężar	12.62 kg
Klasa zabezpieczenia IP	IPX5
Klasa ochrony	II
Lpa (ciśnienie akustyczne)	74.6 dB(A) K=3dB(A)
Lwa (moc akustyczna)	88.3 dB(A) K=3dB(A)
Maks. Lwa (moc akustyczna)	89 dB(A)
Wibracji	2.089 m/s <sup>2</sup>

### OPIS

Liczby w tekście odnoszą się do rysunków na stronach 2-5.

1. Myjka ciśnieniowa
2. Włącznik
3. Filtr dopływu wody
4. Uchwyt węża
5. Odptyw wody
6. Zaczep uchwytu pistoletowego
7. Rączka
8. Uchwyt kabla
9. Uchwyt pistoletowy
10. Regulowana lanca natryskowa
11. Turbo lanca
12. Przedłużenie lancy
13. Igła do czyszczenia
14. Zbiornik detergentu
15. Myjka do tarasów
16. Wąż wysokiego ciśnienia
17. Regulator detergentu
18. Uchwyt na dyszę
19. Przejściówka z połączenia gwintowanego na szybkozłącze

## 3. MONTAŻ



*Przed rozpoczęciem wykonywania jakichkolwiek prac dotyczących maszyny, odłączyć wtyczkę zasilania od gniazda zasilania.*

### Montaż uchwytu i uchwytu węża (rys. A, B1)

1. Zamontować uchwyt (7) i uchwyt węża (4) zgodnie z rys. B1.
2. Dokręcić śruby.



### Montaż uchwytu pistoletowego, uchwytu kabla i uchwytu dyszy (rys. A, B2)

Zamontować uchwyt pistoletowy (6), uchwyt kabla (8) i uchwyt dyszy (18) zgodnie z rys. B2.

## 4. OBSŁUGA



Maszyna może powodować zakłócenia elektryczne podczas uruchamiania.



Silnik tej myjki ciśnieniowej NIE będzie pracować. Będzie działać tylko w czasie naciskania przełącznika spustowego.



Myjki wolno używać jedynie z czystą wodą. Korzystanie z nieprzefiltrowanej wody lub żrących środków chemicznych spowoduje uszkodzenie myjki.



Jeśli silnik zatrzyma się i nie daje się ponownie uruchomić, poczekać 2-3 minuty przed ponownym uruchomieniem.  
WŁĄCZONY BEZPIECZNIK TERMICZNY.

### Włączanie (rys. A, C)

1. Przeszawić włącznik (2) w położenie „WYŁ./ 0”.
2. Dopilnować, by parametry dopływu wody były odpowiednie do zasilania myjki ciśnieniowej w wodę.
3. Podłączyć lancę (10 / 11) zgodnie z rys. C1.
4. Podłączyć wąż wysokiego ciśnienia (16) do myjki zgodnie z rys. C2 i podłączyć uchwyt pistoletowy (9) do węża wysokiego ciśnienia (16) zgodnie z rys. C3.
5. Sprawdzić, czy filtr z gazy (3) jest niezatkany i zamontować go w maszynie zgodnie z rys. C4.
6. Podłączyć wąż doprowadzający wodę.
7. Sprawdzić, czy wąż nie jest zgięty.
8. Włączyć wodę i sprawdzić, czy nie ma wycieków.
9. Nacisnąć przełącznik spustowy, aby wypuścić powietrze przez pompę i wężę, po czym zablokować przełącznik spustowy zgodnie z rys. C5.
10. Podłączyć maszynę do zasilania i włączyć ją włącznikiem (2).
11. Odblokować przełącznik spustowy zgodnie z rys. C5 i rozpocząć korzystanie z myjki.

### Myjka do tarasów (rys. A)

Myjka do tarasów (15) idealnie nadaje się do mycia powierzchni podłóg i ścian wykonanych z różnych materiałów, jak drewno, tworzywa sztuczne, beton, ceramika i kamień naturalny.

1. Podłączyć lancę myjki do tarasów do myjki do tarasów (15) zgodnie z rysunkiem A.
2. Podłączyć przedłużenie lancy (12) i przejściówkę (19) do myjki do tarasów (15).
3. Podłączyć uzyskany zespół do uchwytu pistoletowego (9).

### Wyłączanie (rys. A, C)



Nigdy nie odłączaj węża wysokiego ciśnienia (16) od maszyny, gdy układ jest nadal pod ciśnieniem.



ZAWSZE wyłączać silnik urządzenia PRZED wyłączeniem dopływu wody. Jeśli urządzenie będzie pracować bez dopływu wody, mogą wystąpić poważne uszkodzenia.

1. Wyłączyć silnik (przeszawić włącznik (2) w położenie wyłączone).
2. Odłączyć maszynę od źródła zasilania.
3. Wyłączyć dopływ wody.
4. Nacisnąć przełącznik spustowy (9), aby usunąć ciśnienie z układu.
5. Odłączyć wąż od myjki ciśnieniowej.
6. Włączyć blokadę przełącznika spustowego zgodnie z rys. C5.
7. Wytrzeć wszystkie powierzchnie urządzenia miękką i czystą ściereczką.

### Dopływ wody



Tego urządzenia należy używać jedynie w połączeniu z źródłem zimnej wody!

- Dopilnować, aby dostępna była odpowiednia woda do zasilania myjki. Sprawdzić, czy wszystkie połączenia są szczelne, a wężę nie przeciekają.
- Kurek dopływu wody musi być całkowicie otwarty (nie włączać jeszcze myjki).
- Teraz nacisnąć przełącznik spustowy (najpierw go odblokować), aby woda mogła przepłynąć przez urządzenie i wypchnąć powietrze.
- Włączyć myjkę po wypchnięciu całego powietrza i dotarciu wody do końca lancy.

**Regulacja dyszy (rys. A, D)**

- Woda może tryskać z dyszy prostym strumieniem lub strumieniem o kształcie wachlarza. Włączyć najpierw ciśnienie, po czym wyregulować dyszę.

**Regulacja ciśnienia roboczego (rys. A, E)**

Ciśnienie robocze można regulować, obracając tuleję na końcu dyszy.

- Obracać tuleję zgodnie ze wskazówkami zegara, aby zwiększyć ciśnienie robocze.
- Obracać tuleję przeciwnie do wskazówek zegara, aby zmniejszyć ciśnienie robocze.

**Korzystanie z detergentów (rys. A, E1)**

Wbudowany dozownik detergentu pozwala na spryskiwanie mytej powierzchni różnymi detergentami w płynie. Detergent jest rozpylany wyłącznie pod niskim ciśnieniem.

- Podłączyć regulowaną dyszę (10) do uchwytu pistoletowego (9).
- Ustawić dyszę (10) na niskie ciśnienie "1".
- Odkręcić korek na zbiorniku detergentu (14) i napełnić go wyłącznie detergentem w płynie. Nie wlewać wody do tego zbiornika. Myjka ciśnieniowa automatycznie miesza wodę z detergentem. Po zakończeniu nanoszenia detergentu na mytą powierzchnię, można spłukać detergent, korzystając z ustawienia wysokiego ciśnienia "4". W trybie wysokiego ciśnienia myjka nie dozuje detergentu.

**Regulacja stopnia zmieszania detergentu (rys. A, E2)**

Aby wyregulować stopień zmieszania detergentu z wodą, można obracać pokrętkę regulatora detergentu (17).

- Obracać w lewo, aby zmniejszyć ilość dodawanego detergentu.
- Obracać w prawo, aby zwiększyć ilość dodawanego detergentu.

**5. KONSERWACJA**

Przed rozpoczęciem czyszczenia i konserwacji zawsze wyłączać maszynę i wyjmować wtyczkę zasilania sieciowego z gniazdka.

Czyścić obudowę maszyny regularnie miękką ściereczką, najlepiej po każdym użyciu. Dopilnować, aby otwory wentylacyjne były wolne od pyłu, kurzu i zabrudzeń. Usuwać odporne zabrudzenia miękką ściereczką zwilżoną mydlinami. Nie używać żadnych rozpuszczalników, takich jak benzyna, alkohol, amoniak itp. Takie substancje chemiczne spowodują uszkodzenie części z tworzyw sztucznych.

**Filtr dopływu wody (rys. A)**

Filtr dopływu wody (3) należy regularnie sprawdzać, aby zapobiec jego zatkaniu i ograniczeniu dopływu wody do pompy.

**Czyszczenie dyszy (rys. A, F)**

Zatkanie dyszy może powodować awarie. Dyszę można oczyścić, wkładając „igłę do czyszczenia” (13) w końcówkę w celu usunięcia zabrudzeń.

**Przechowywanie i ochrona przed zamarzaniem**

Jeśli w myjce ciśnieniowej i jej akcesoriach pozostanie woda, mogą one zostać uszkodzone, gdy woda zamarznie. Całkowicie opróżnić myjkę ciśnieniową i jej akcesoria z wody i chronić je przed zamarzaniem.

Przechowywać myjkę ciśnieniową w dobrze wentylowanym i suchym miejscu w temperaturze nie niższej niż +5°C.

**USTERKI**

Jeśli maszyna nie pracuje poprawnie, w celu rozwiązania problemu można skorzystać z opisu możliwych przyczyn i rozwiązań podanego poniżej:

**1. Po włączeniu maszyna nie zaczyna pracować.**

- Wtyczka nie jest podłączona poprawnie lub gniazdko elektryczne jest wadliwe.
  - Sprawdzić wtyczkę, gniazdko i bezpiecznik.
- Napięcie sieciowe jest niższe od minimalnego wymaganego do rozruchu.
  - Sprawdzić, czy napięcie sieciowe jest odpowiednie.
- Zatkała się pompa.
  - Skorzystać z instrukcji dotyczących czynności po zakończeniu przechowywania. Wyłączyć urządzenie i poczekać, aż silnik ostygnie.
- Włączył się bezpiecznik termiczny.
  - Pozostawić lancę włączoną z przepływającą wodą.

## 2. Wahania ciśnienia

- Pompa zasysa powietrze.
  - *Sprawdzić, czy węże i połączenia są szczelne.*
- Zabrudzone, zużyte lub zatkane zawory Zużyte uszczelki pompy.
  - *Oczyszczyć lub wymienić albo skontaktować się ze sprzedawcą.*

## 3. Woda wyciekająca z pompy

- Zużyte uszczelki.
  - *Sprawdzić lub wymienić albo skontaktować się ze sprzedawcą.*

## 4. Silnik nagle się zatrzymuje

- Z powodu przegrzania włączył się bezpiecznik termiczny.
  - *Sprawdzić, czy napięcie sieciowe jest zgodne z wymogami. Zbyt cienki i za długi kabel przedłużeniowy może powodować spadek napięcia i przegrzewanie się silnika. Pozostawić silnik do ostygnięcia. Używać kabli przedłużeniowych przeznaczonych do pracy w trudnych warunkach.*

## 5. Pompa nie osiąga wymaganego ciśnienia

- Filtr dopływu wody jest zatkany.
  - *Oczyszczyć filtr dopływu wody.*
- Pompa zasysa powietrze przez połączenia lub węże.
  - *Sprawdzić, czy wszystkie połączenia są szczelne.*
- Zawory ssące/tłoczne są zatkane lub zużyte.
  - *Sprawdzić, czy wąż doprowadzający wodę nie przecieka.*
- Zawór odciążający jest zatkany.
  - *Oczyszczyć lub przedmuchać zawory.*
- Dysza lancy nieodpowiednia lub zużyta.
  - *Poluzować i dokręcić ponownie śrubę regulacji. Sprawdzić i/lub wymienić.*



*Naprawy i serwisowanie może przeprowadzać jedynie odpowiednio wykwalifikowany technik lub serwis.*

## SRODOWISKO



*Uszkodzone i/lub niepotrzebne urządzenia elektryczne lub elektroniczne podlegają zbiórce w odpowiednich punktach recyklingu.*

## Tylko kraje WE

Nie wyrzucac elektronarzedzi wraz z odpadami z gospodarstw domowych. Zgodnie z dyrektywa 2012/19/WE dotyczaca zuzytych urzadzen elektrycznych i elektronicznych oraz jej wdrozeniem do prawodawstwa krajowego, elektronarzedzia, które juz nie nadaja sie do uzytku, podlegaja oddzielnej zbiórce oraz utylizacji w sposób przyjazny dla srodowiska.

## GWARANCJA

Produkty VONROC są wytwarzane zgodnie z najwyższymi standardami jakości i producent udziela gwarancji na wady materiałowe i wady wykonania na okres wymagany prawem, licząc od dnia zakupu. Jeśli wystąpi usterka produktu w tym okresie spowodowana wadą materiałową i/lub wadą wykonania, proszę bezpośrednio skontaktować się ze sprzedawcą VONROC.

Następujące okoliczności powodują unieważnienie gwarancji:

- Przeprowadzono naprawy lub modyfikacje narzędzia w serwisie innym lub autoryzowany lub podjęto ich próbe;
- Normalne zużycie nie jest objęte gwarancją;
- Narzędzie było używane niezgodnie z przeznaczeniem, zle z nim się obchodzono lub było nieprawidłowo konserwowane;
- Użyto części zamiennych innych niż oryginalne.

Niniejsza gwarancja to wyłączna gwarancja producenta i nie obowiązują żadne inne wyrażone ani dorozumiane gwarancje. Nie obowiązują żadne inne wyrażone ani dorozumiane gwarancje o zakresie przekraczającym niniejszą gwarancję, co obejmuje dorozumiane gwarancje przydatności do sprzedaży i przydatności do określonego celu. W żadnym przypadku firma VONROC nie ponosi odpowiedzialności za straty przypadkowe lub wynikowe. Zadośćuczynienie sprzedawcy jest ograniczone do naprawy lub wymiany niezgodnych urządzeń lub części.

**Produkt i instrukcja obsługi podlegają zmianom. Dane techniczne podlegają zmianom bez uprzedzenia.**

## 1. INSTRUCȚIUNI DE SIGURANȚĂ

Citiți avertizările de siguranță, avertizarea de siguranță suplimentare și instrucțiunile. Nerespectarea avertizărilor de siguranță poate cauza producerea de electrocutări, incendii și/sau răniri grave. Păstrați avertizările de siguranță și instrucțiunile pentru referințe viitoare.

În manualul de utilizare sau pe produs se utilizează următoarele simboluri:



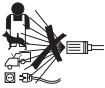
*Citiți manualul de utilizare.*



*Indică riscul de rănire personală, pierderea vieții sau deteriorarea încălzitorului în cazul în care nu se respectă instrucțiunile din acest manual.*



*Indică pericolul de electrocutare.*



*NU direcționați jetul de apă către oameni sau animale. NU direcționați jetul de apă către unitate, piese electrice sau spre alte componente electrice.*



*Mașina nu este destinată conectării la rețeaua de apă portabilă.*



*Protejați aparatul împotriva înghețului.*



*Izolație dublă.*



*Nu scoateți din uz produsul în containere neadecvate.*



*Produsul este în conformitate cu standardele de siguranță aplicabile din directivele europene.*

### AVERTIZĂRI DE SIGURANȚĂ

Atunci când folosiți mașini electrice, respectați întotdeauna reglementările de siguranță aplicabile în țara dumneavoastră, pentru a reduce riscul de incendii, electrocutare și rănire personală. Citiți următoarele instrucțiuni de siguranță și, de asemenea, instrucțiunile de siguranță atașate.



**AVERTISMENT! Citiți toate avertismentele de siguranță și toate instrucțiunile.**

*Nerespectarea avertizărilor și a instrucțiunilor poate conduce la electrocutare, incendii și/sau vătămări grave.*

### Instrucțiuni de siguranță privind alimentarea electrică

- Verificați întotdeauna dacă tensiunea de alimentare corespunde cu tensiunea de pe plăcuța cu specificații.
- Când înlocuiți cabluri sau fișe vechi:
- Aruncați imediat cablurile vechi sau fișele. Este periculos să introduceți fișa unui cablu neconectat în priză.
- Când utilizați cabluri prelungitoare:
- Utilizați numai un cablu prelungitor aprobat, potrivit pentru puterea mașinii. Firele trebuie să aibă un diametru de cel puțin 1,5 mm<sup>2</sup>. Când cablul prelungitor se află pe un mosor, derulați cablul în întregime.
- Toate conexiunile electrice, de ex. Cablul prelungitor, trebuie să fie de tip impermeabil aprobat pentru utilizare în exterior și trebuie să fie marcate corespunzător.

### Oprțiți mașina imediat dacă observați:

- Întreruperea fișei, a cablului de rețea sau deteriorarea cablului de rețea.
- Comutatorul este defect.
- Observați fum sau miros cauzat de izolația arsă.

### REGULI SPECIFICE DE SIGURANȚĂ

Manualul de UTILIZARE și ÎNTREȚINERE constituie o parte esențială a echipamentului și ar trebui păstrat într-un loc sigur pentru consultarea viitoare. Dacă vindeți aparatul de spălare cu presiune, manualul trebuie predat noului proprietar.

- Înainte de a porni aparatul de spălare cu presiune, asigurați-vă că acesta primește apă corect. Funcționarea aparatului de spălare cu presiune fără apă poate deteriora garniturile.
- Nu deconectați ștecherul trăgând de cablul electric.
- Dacă sunteți prea departe de obiectul pe care doriți să îl curățați, nu apropiați aparatul de spălare cu presiune trăgând de furtunul de înaltă presiune; folosiți mânerul prevăzut.
- În versiunile care nu sunt echipate cu un

dispozitiv TSS, nu acționați produsul de curățat mai mult de 1-2 minute cu pistolul închis, deoarece acest lucru ar putea deteriora garniturile.

- Protejați detergentul față de îngheț pe timpul iernii.
- Nu obstrucționați grilele de ventilație în timpul utilizării.
- Secțiunea transversală a oricărui cablu prelungitor utilizat trebuie să fie proporțională cu lungimea lor, adică cu cât este mai lung cablul prelungitor, cu atât este mai mare secțiunea transversală; trebuie folosite cabluri cu un nivel de protecție „IPX5”.
- Poziționați aparatul de spălare cu presiune cât mai aproape posibil de sursa de alimentare cu apă.
- Ambalajul este ușor de reciclat și trebuie eliminat în conformitate cu reglementările în vigoare în țara în care este utilizat.
- Utilizați aparatul de spălare cu presiune numai cu accesorii și piese de schimb autorizate de producător. Utilizarea originale și a pieselor de schimb accesoriilor va asigura o funcționare sigură, fără probleme.
- Aparatul de spălare cu presiune trebuie utilizat în picioare pe o suprafață sigură și stabilă.
- Evitați acționarea neintenționată a declanșatorului. Nu purtați ansamblul lance/declanșator cu mâna pe declanșator. Folosiți întotdeauna mecanismul de blocare a declanșatorului.
- Asigurați-vă că este utilizat dispozitivul de blocare a declanșatorului, atunci când ați încetat să folosiți aparatul de spălat cu presiune pentru a preveni funcționarea accidentală.
- Citiți toate instrucțiunile înainte de a folosi mașina.
- Mașinile nu trebuie utilizate de copii. Copiii trebuie să fie supravegheați, pentru a vă asigura că nu se joacă cu mașina. Acest aparat nu este destinat utilizării de către persoane (inclusiv copii) cu capacități fizice, senzoriale sau mentale reduse sau cu lipsă de experiență și cunoștințe de utilizare.
- Conexiunea de alimentare electrică trebuie să fie realizată de o persoană calificată și să respecte normele IEC 60364-1. Alimentarea electrică către această mașină trebuie să includă un dispozitiv de curent rezidual care să întrerupă alimentarea dacă curentul de

scurgere la pământ depășește 30 mA.

- Mașina este destinată utilizării la o temperatură peste 0 grade. (Numai pentru mașina cu cablu de alimentare H05VV-F).
- Metoda de funcționare care trebuie respectată în caz de accident (de exemplu contactul cu detergenți: clătiți cu apă curată din abundență) sau defecțiuni pentru a preveni situații neprevăzute.
- Această mașină a fost proiectată pentru a fi utilizată cu agentul de curățare furnizat sau recomandat de producător. Utilizarea altor agenți de curățare sau substanțe chimice poate afecta negativ siguranța mașinii.
- Recomandați operatorului să poarte protecție pentru urechi.
- Nu utilizați mașina în raza de acțiune a persoanelor decât dacă acestea poartă îmbrăcăminte de protecție.
- Nu îndreptați jetul către dvs. sau a altor persoane pentru a curăța hainele sau încălțăminte.
- Pericol de explozie-Nu pulverizați lichide inflamabile.
- Furtunurile, armăturile și cuplajele de înaltă presiune sunt importante pentru siguranța mașinii. Utilizați numai furtunuri, racorduri și cuplaje recomandate de producător.
- Pentru a asigura siguranța mașinii, utilizați numai piese originale de la producător sau aprobate de producător.
- Apa care a trecut prin dispozitivele de prevenire a refluxului este considerată nepotabilă.
- Mașina trebuie deconectată de la sursa de alimentare prin scoaterea ștecherului de la priză în timpul curățării sau întreținerii și la mutarea mașinii pentru o altă utilizare.
- Respectați o distanță de cel puțin 30cm atunci când utilizați jetul pentru a curăța suprafețele vopsite pentru a evita deteriorarea vopselei.
- Nu utilizați mașina dacă un cablu de alimentare sau părți importante ale mașinii sunt deteriorate, de exemplu dispozitive de siguranță, furtunuri de înaltă presiune, pistol cu declanșare.
- Dacă se utilizează un cablu prelungitor, ștecherul și priza trebuie să fie de construcție etanșă.
- Extensiile inadecvate pot fi periculoase. Dacă se utilizează un cablu prelungitor, acesta trebuie să fie potrivit pentru utilizare în exterior,

- iar conexiunea trebuie menținută uscată și separată față de sol. Se recomandă ca acest lucru să se realizeze prin intermediul unui mosor de cablu care menține ștecherul la cel puțin 60 mm deasupra solului.
- Pentru a evita un pericol din cauza resetării accidentale a întreruperii termice, acest aparat nu trebuie alimentat printr-un dispozitiv de comutare extern, cum ar fi un temporizator sau conectat la un circuit care este pornit și oprit în mod regulat de către utilitate.
  - Pentru a asigura siguranța mașinii, vă rugăm să utilizați numai piese de schimb originale (inclusiv duza) de la producător sau aprobate de producător. Nu utilizați mașina înainte de a le schimba în cazul în care sunt deteriorate.
  - Aveți grijă de pericolul forței de recul asupra ansamblului de pulverizare atunci când deschideți pistolul de declanșare și apucați pistolul cu mâinile ferm.
  - Pentru a reduce riscul de rănire, este necesară o supraveghere atentă atunci când o mașină este utilizată lângă copii. Aparatul de spălare cu presiune de înaltă presiune nu trebuie utilizat de copii sau de persoane neinstruite.
  - Știți cum să opriți mașina și să eliminați rapid presiunile acumulate. Familiarizați-vă cu comenzile.
  - Rămâneți atent și atent la ceea ce faceți.
  - Nu folosiți mașina atunci când sunteți obosit sau sub influența alcoolului sau a drogurilor.
  - Țineți persoanele la distanță față de zona de utilizare.
  - Nu încercați să accesați locuri la distanță sau stați pe suport instabil. Mențineți-vă întotdeauna o bună stabilitate și echilibru.
  - Respectați instrucțiunile de întreținere specificate în manual.
  - Acest aparat trebuie să fie împământat. În cazul funcționării necorespunzătoare sau al deteriorării, împământarea asigură o cale de rezistență minimă pentru curentul electric, în vederea reducerii riscului de electrocutare. Fișa trebuie să fie conectată la o priză adecvată, instalată și împământată corect, în conformitate cu toate normele și regulamentele locale. Tensiunea nominală (V/Hz) a mașinii trebuie să fie în conformitate cu tensiunea de alimentare locală.
  - Verificați cu un electrician calificat sau cu o persoană de service dacă aveți dubii dacă priza este împământată corespunzător. Nu modificați ștecherul furnizat împreună cu mașina. Dacă nu se potrivește cu priza, o priză adecvată trebuie să fie instalată de către un electrician calificat. Nu utilizați niciun tip de adaptor cu această mașină.
  - Utilizați numai prelungitoare destinate utilizării în exterior, iar priza trebuie să fie etanșă la apă. Aceste prelungitoare sunt identificate printr-un marcaj „pentru utilizare în exterior; depozitați în interior în timp ce nu îl folosiți”. Utilizați numai cabluri prelungitoare pentru o putere electrică mai mare decât cea nominală a mașinii. Nu utilizați cabluri prelungitoare
  - deteriorate. Examinați cablul prelungitor înainte de a-l utiliza și înlocuiți-l dacă este deteriorat. Prelungitoarele inadecvate pot fi periculoase. Nu abuzați de cablul prelungitor și nu trageți de cablu pentru a-l deconecta. Țineți cablul departe de surse de căldură și muchii ascuțite. Deconectați întotdeauna cablul prelungitor de la priză înainte de a deconecta aparatul de cablul prelungitor.
  - Pentru a reduce riscul de electrocutare, nu porniți și nu porniți mașina în ploaie sau furtună. Păstrați toate conexiunile uscate și separate față de sol. Nu atingeți fișa cu mâinile ude. Este strict interzis să lăsați apa să scurgă în mașină.
  - Când mașina funcționează, vă rugăm să mențineți constantă alimentarea cu apă. Fără circulația apei se vor deteriora inelele de etanșare ale mașinii.
  - Este necesar să porniți lancea de pulverizare la unul sau două minute de la pornirea mașinii. În caz contrar, temperatura apei care circulă în mașină va crește în curând la un punct critic, ceea ce va provoca deteriorarea inelelor de etanșare din interior.
  - Nu porniți și nu acționați mașina într-un loc excesiv de rece, astfel încât să împiedicați înghețarea mașinii.
  - Acest aparat a fost proiectat pentru a utiliza numai apă de curățat, nu utilizați substanțe chimice corozive.
  - Utilizați un agent de curățare furnizat sau recomandat de producător.
  - Jeturile de înaltă presiune pot fi periculoase dacă sunt utilizate necorespunzător. Jetul nu trebuie să fie direcționat către persoane, animale, echipamente electrice sub tensiune

sau către mașină. Mașinile de spălat cu presiune nu trebuie îndreptate spre pereții anvelopelor, deoarece ar putea fi posibil să le deteriorăm.

- Nu îndreptați jetul către dvs. sau a altor persoane pentru a curăța hainele sau încălțăminte.
- Deconectați de sursa de alimentare electrică înainte de a efectua întreținerea.
- În cazul în care cablul de alimentare este deteriorat, acesta trebuie să fie înlocuit de către producător, de către agentul care asigură întreținerea sau de alte persoane calificate, pentru a evita orice pericol.
- Nu utilizați mașina dacă un cablu de alimentare sau piese importante sunt deteriorate, de exemplu dispozitive de siguranță, furtunuri de înaltă presiune, pistol de spălare.
- Fiți conștienți de reculul cauzat de jetul de apă la pornirea mașinii.
- Când mașina se deplasează și se instalează, mașina trebuie să fie așezată la nivel. Când deplasați mașina, trageți de mâner pentru a o deplasa.
- Conectați-vă la alimentarea cu apă. Mașinile nu sunt adecvate pentru conectarea la rețeaua de apă portabilă. Conectați mașina la alimentarea cu apă. (Poate fi un recipient cu apă).
- Nu utilizați conducte în cazul în care conductele sunt uzate. Dacă doriți să conectați această mașină la rețeaua de apă portabilă, trebuie să instalați un dispozitiv de prevenire a returului în conducta de apă pentru a preveni scurgerea apei murdare înapoi la sistemul de apă potabilă. Dispozitivul de prevenire a returului trebuie să respecte normele EN 60335-2-79 ANEXA AA.

## 2. INFORMAȚII CU PRIVIRE LA MAȘINA

### Domeniul de utilizare

Aparatul de spălare cu presiune de înaltă presiune PW503AC este rapid și eficient pentru curățarea vehiculelor, mașinilor, ambarcațiunilor, clădirilor etc. Curățați motoarele vehiculului numai în zonele în care sunt instalate separatoare de ulei adecvate.

## SPECIFICAȚII TEHNICE

Nr. model	PW503AC
Tensiunea	220-240 V~ 50/60Hz
Putere de alimentare	2200 W
Presiunea max. a apei de alimentare	12 bar
Temperatura max. a apei	50 °C
Debit nominal	6.5 l/min
Rată max. de debit	7.5 l/min
Presiunea nominală	120 bar
Presiune max.	170 bar
Greutate	12.62 kg
IP Clasa	IPX5
Clasa de protecție	II
Nivelul presiunii sonore $L_{PA}$	74.6 dB(A) K=3dB(A)
Nivelul puterii sonore $L_{WA}$	88.3 dB(A) K=3dB(A)
Max. $L_{WA}$ (putere sonoră)	89 dB(A)
Vibrație	2.089 m/s <sup>2</sup>

## DESCRIERE

Numerele din text se refera la diagramele de la paginile 2-5.

1. Aparatul de spălare cu presiune de înaltă presiune
2. Comutator pornire/oprire
3. Filtru de admisie a apei
4. Suport furtun
5. Ieșire de apă
6. Suport pistol
7. Mâner
8. Suport de cablu
9. Pistol de pulverizare
10. Lance de pulverizare reglabilă
11. Lance turbo
12. Extensia lancei
13. Ac de curățare
14. Rezervor de detergent
15. Aparat de spălare cu presiune pentru terasă
16. Furtun de înaltă presiune
17. Reglare detergent
18. Suport duză
19. Adaptor de la filet la conector rapid



### 3. ASAMBLAREA



*Inainte de asamblare, opriți alimentarea electrică a mașinii și deconectați fișa cablului de alimentare de la priza de rețea.*

#### Asamblarea mânerului și a suportului de furtun (Fig. A, B1)

1. Asamblați mânerul (7) și suportul furtunului (4) așa cum se arată în Fig. B1.
2. Strângeți șuruburile.

#### Asamblarea suportului pistolului, suportului cablului și suportului duzei (Fig. A, B2)

Montați suportul pistolului (6), suportul cablului (8) și suportul duzei (18) așa cum se arată în Fig. B2.

### 4. OPERAREA



*Mașina poate provoca perturbări electrice la pornire.*



*Motorul acestei mașini de spălat sub presiune NU va funcționa. Acesta va funcționa numai atunci când declanșatorul este apăsat.*



*Aparatul de spălare cu presiune trebuie utilizat numai cu apă curată; utilizarea apei nefiltrate sau a substanțelor chimice corozive va deteriora agentul de curățare.*



*Dacă motorul se oprește și nu pornește din nou, așteptați 2-3 minute înainte de a reporni. PROTECȚIA TERMICĂ S-A DECLANȘAT.*

#### Pornirea (Fig. A, C)

1. Răsuciți comutatorul (2) pe poziția „OPRIT/0”.
2. Asigurați-vă că aveți o sursă de apă adecvată pentru alimentarea mașinii de spălat cu presiune.
3. Conectați lancea (10/11) așa cum se arată în Fig. C1.
4. Conectați furtunul de înaltă presiune (16) la cuplaj, așa cum se arată în Fig. C2 și conectați pistolul de pulverizare (9) la furtunul de înaltă presiune (16), așa cum se arată în Fig. C3.
5. Verificați ca filtrul (3) să nu fie colmatat și montați-l pe mașină, așa cum se arată în Fig. C4.
6. Conectați furtunul de alimentare cu apă.
7. Verificați dacă furtunul nu are curburi.

8. Porniți apa și verificați dacă există scurgeri.
9. Acționați declanșatorul pentru a permite expulzarea aerului prin pompă și furtunuri, blocați declanșatorul așa cum se arată în Fig. C5.
10. Conectați mașina și cuplați comutatorul (2).
11. Deblocați declanșatorul așa cum se arată în Fig. C5 și utilizați mașina de spălat cu presiune.

#### Aparat de spălare cu presiune pentru terasă (Fig. A)

Aparatul de curățare a teraselor (15) este potrivit pentru curățarea suprafețelor de podea și pereți din diferite materiale, cum ar fi lemnul, plasticul, betonul, gresia și piatra naturală.

1. Conectați lancea la aparatul de curățare (15) așa cum se arată în figura A.
2. Conectați extensia lancei la (12) aparatul de curățare (15).
3. Conectați setul la pistolul de pulverizare (9).

#### Oprirea (Fig. A, C)



*Nu deconectați niciodată furtunul de înaltă presiune (16) de la mașină în timp ce sistemul este sub presiune.*



*ÎNTOTDEAUNA opriți motorul unității ÎNAINTE să opriți alimentarea cu apă a unității. Motorul poate fi deteriorat grav dacă unitatea funcționează fără apă.*

1. Opriți motorul (apăsați comutatorul (2) în poziția oprit).
2. Deconectați unitatea de la sursa de alimentare.
3. Opriți alimentarea cu apă.
4. Apăsați pe declanșatorul pistolului (9) pentru a depresuriza sistemul.
5. Deconectați furtunul de grădină de la mașina de spălat cu presiune.
6. Cuplați blocajul de siguranță al pistolului așa cum se arată în Fig. C5.
7. Ștergeți toate suprafețele unității cu o cârpă curată umedă.

#### Alimentare cu apă



*Această unitate trebuie utilizată numai cu o sursă de apă rece!*

- Asigurați-vă că aveți o sursă de apă adecvată pentru alimentarea mașinii de spălat cu presiune. Verificați dacă toate conexiunile sunt



strânse și nu există scurgeri în furtun.

- Robinetul de alimentare trebuie să fie complet deschis (nu porniți încă mașina de spălat cu presiune).
- Apăsăți acum pe declanșator (deblocați mai întâi declanșatorul) pentru a lăsa apa să treacă prin unitate și să elimine aerul.
- Porniți mașina de spălat cu presiune, odată ce tot aerul a fost eliminat și apa a ajuns la capătul lancei.

#### Reglarea duzei (Fig. A, D)

- Apa poate fi pulverizată din duză fie liniar, fie sub formă de ventilator. Porniți mai întâi presiunea, apoi reglați duza.

#### Reglarea presiunii de lucru (Fig. A, E)

Presiunea de lucru poate fi reglată prin rotirea manșonului de la capătul duzei.

- Rotiți manșonul în sensul acelor de ceasornic pentru a crește presiunea de lucru.
- Rotiți manșonul în sens invers acelor de ceasornic pentru a reduce presiunea de lucru.

#### Utilizarea detergentilor (Fig. A, E1)

Dispersorul de detergent încorporat vă va permite să aplicați multe forme de detergent lichid pe suprafața de curățare. Aplicarea detergentului se face doar la presiune scăzută.

- Conectați duza reglabilă (10) la pistol (9).
- Reglați duza (10) la presiunea scăzută „84”.
- Scoateți capacul rezervorului de detergent (14) și umpleți-l numai cu detergent lichid. Nu introduceți apă în rezervor. Aparatul de spălat cu presiune va amesteca automat apa și detergentul. Când ați terminat de aplicat detergentul pe suprafața de lucru, este posibil să pulverizați detergentul utilizând setarea de presiune ridicată „84”. În modul de înaltă presiune, aparatul de spălat cu presiune nu va elibera detergent.

#### Reglarea dozării de detergent (Fig. A, E2)

Pentru a regla dozarea amestecării detergentului cu apa, puteți roti butonul pentru detergent (17).

- Rotiți la stânga pentru a reduce cantitatea de detergent adăugată.
- Rotiți la dreapta pentru a crește cantitatea de detergent adăugată.

## 5. ÎNTREȚINERE



Înainte de curățare și întreținere, opriți alimentarea electrică a mașinii și deconectați fișa cablului de alimentare de la priza de rețea.

Curățați regulat carcasa cu o cârpă moale, de preferat după fiecare utilizare. Curățați fantele de aerisire de praf și murdărie. Îndepărtați murdăria persistentă cu o cârpă moale înmuiată în clăbuci de săpun. Nu folosiți solvenți precum benzină, alcool, amoniac, etc. Astfel de substanțe chimice vor deteriora componentele sintetice.

#### Filtru de admisie a apei (Fig. A)

Filtrul de admisie a apei (3) trebuie inspectat periodic, pentru a evita blocarea și blocarea alimentării cu apă a pompei.

#### Curățarea duzei (Fig. A, F)

Când duza este înfundată, pot apărea defecțiuni. Duza poate fi curățată introducând „tija de curățare” (13) în vârful pentru a îndepărta murdăria.

#### Depozitarea și protecția față de îngheț

Aparatul de spălare cu presiune de înaltă presiune și accesoriile care nu sunt complet drenate pot fi distruse de îngheț. Drenați aparatul de spălare cu presiune de înaltă presiune și accesoriile și protejați-le față de îngheț.

Păstrați aparatul de curățat de înaltă presiune în spații uscate bine ventilate, cu o temperatură care nu este sub +5°C.

#### FUNCȚIONAREA DEFICITARĂ

În cazul în care aparatul nu funcționează corect, mai jos este prezentată o serie de cauze posibile și soluțiile adecvate:

##### 1. La pornire, mașina nu va începe să funcționeze.

- Ștecherul nu este bine conectat sau priza este defectă.
  - Verificați ștecherul, priza și siguranța.
- Tensiunea rețelei este mai mică decât cea minimă pentru pornire.
  - Verificați dacă tensiunea de rețea este adecvată.
- Pompa este blocată.
  - Consultați instrucțiunile după depozitare. Op-

*riți unitatea și lăsați motorul să se răcească.*

- Protecția termică s-a declanșat.
  - *Lăsați lancea deschisă cu apă.*

## 2. Presiunea este fluctuantă

- Pompa trage aer.
  - *Verificați dacă furtunurile și conexiunile sunt etanșe.*
- Supapele murdare, uzate sau blocate. Garniturile pompei sunt uzate.
  - *Curățați și înlocuiți sau consultați distribuitorul.*

## 3. Apa se scurge din pompă

- Garnituri uzate.
  - *Verificați și înlocuiți sau consultați distribuitorul.*

## 4. Motorul se oprește brusc

- Protecția termică s-a declanșat din cauza supraîncălzirii.
  - *Verificați dacă tensiunea de rețea corespunde specificațiilor. Un cablu prelungitor, care este prea subțire și lung, poate provoca o cădere de tensiune și poate duce la supraîncălzirea motorului. Lăsați să se răcească. Utilizați cabluri prelungitoare pentru sarcini grele.*

## 5. Pompa nu atinge presiunea necesară.

- Admisia de apă, filtrul este colmatat.
  - *Curățați filtrul de alimentare cu apă.*
- Pompați aerul aspirat din racorduri sau furtunuri.
  - *Verificați dacă toate conexiunile de alimentare sunt strânse.*
- Supapele de aspirație / livrare sunt colmate sau uzate.
  - *Verificați dacă furtunul de alimentare cu apă nu are scurgeri.*
- Supapa de descărcare este blocată.
  - *Goliți sau aerisiți supapele.*
- Duza lancei este incorectă sau uzată.
  - *Slăbiți și strângeți din nou șurubul de reglare și / sau înlocuiți-l.*



*Reparațiile și service-ul trebuie efectuate numai de către un tehnician calificat sau o firmă de service.*

## MEDIU ÎNCONJURĂTOR



*Aparatele electrice sau electronice deteriorate și/sau defecte trebuie colectate în locurile de reciclare corespunzătoare.*

## Numai pentru țările din CE

Nu aruncați echipamentele actionate electric împreună cu gunoiul menajer. Conform Indicatiei europene 2012/19/EU pentru echipamente electrice și electronice uzate și a implementării sale la nivel national, echipamentele actionate electric scoase din uz trebuie colectate separat și evacuate într-o maniera ecologica.

## GARANȚIE

Produsele VONROC sunt realizate la cele mai înalte standarde de calitate și sunt garantate în privința materialelor și a manoperei pentru întreaga perioadă de utilizare în garanție, începând cu data achiziției. În cazul în care produsul se defectează în timpul perioadei de utilizare, contactați direct VONROC.

Următoarele circumstanțe sunt excluse de la această garanție:

- Reparațiile sau modificările care realizate sau care s-au încercat a fi efectuate de centre de service neautorizate.
- Uzura în condiții normale.
- Unealta care a fost abuzată, utilizată într-un mod neglijent sau întreținută în mod inadecvat.
- Folosirea unor piese de schimb neoriginale.

Aceasta acoperă garanția companiei, explicită sau implicită. Nu există alte garanții explicite sau implicite care să se extindă dincolo de cele indicate aici, incluzând garanțiile, vandabilitatea sau adecvarea pentru un anumit scop. În nicio situație, VONROC nu este responsabil pentru daunele incidentale sau consecvențiale. Reparațiile efectuate de reprezentant trebuie să fie limitate la reparațiile sau la înlocuirea unităților sau a pieselor neconforme.

**Produsul și manualul de utilizare pot suferi modificări. Specificațiile se pot modifica fără notificare prealabilă.**



## DECLARATION OF CONFORMITY PW503AC - PRESSURE WASHER

- (EN) We declare under our sole responsibility that this product is in conformity with directive 2011/65/EU of the European parliament and of the council of 8 June on the restriction of the use of certain hazardous substances in electrical and electronic equipment is in conformity and accordance with the following standards and regulations:
- (DE) Der Hersteller erklärt eigenverantwortlich, dass dieses Produkt der Direktive 2011/65/EU des Europäischen Parlaments und des Rats vom 8. Juni 2011 über die Einschränkung der Anwendung von bestimmten gefährlichen Stoffen in elektrischen und elektronischen Geräten entspricht, den folgenden Standards und Vorschriften entspricht:
- (NL) Wij verklaren onder onze volledige verantwoordelijkheid dat dit product voldoet aan de conform Richtlijn 2011/65/EU van het Europees Parlement en de Raad van 8 juni 2011 betreffende beperking van het gebruik van bepaalde gevaarlijke stoffen in elektrische en elektronische apparatuur en in overeenstemming is met de volgende standaarden en reguleringen:
- (FR) Nous déclarons sous notre seule responsabilité que ce produit est conforme aux standards et directives suivants: est conforme à la Directive 2011/65/EU du Parlement Européen et du Conseil du 8 juin 2011 concernant la limitation d'usage de certaines substances dangereuses dans l'équipement électrique et électronique.
- (ES) Declaramos bajo nuestra exclusiva responsabilidad que este producto cumple con las siguientes normas y estándares de funcionamiento: se encuentra conforme con la Directiva 2011/65/UE del Parlamento Europeo y del Consejo de 8 de junio de 2011 sobre la restricción del uso de determinadas sustancias peligrosas en los equipos eléctricos y electrónicos.
- (IT) Dichiariamo, sotto la nostra responsabilità, che questo prodotto è conforme alle normative e ai regolamenti seguenti: è conforme alla Direttiva 2011/65/UE del Parlamento Europeo e del Consiglio dell'8 giugno 2011 sulla limitazione dell'uso di determinate sostanze pericolose nelle apparecchiature elettriche ed elettroniche.
- (SV) Vi garanterar på eget ansvar att denna produkt uppfyller och följer följande standarder och bestämmelser: uppfyller direktiv 2011/65/EU från Europeiska parlamentet och EG-rådet från den 8 juni 2011 om begränsningen av användning av farliga substanser i elektrisk och elektronisk utrustning.
- (DA) Vi erklærer under eget ansvar, at dette produkt er i overensstemmelse med følgende standarder og bestemmelser: er i overensstemmelse med direktiv 2011/65/EU fra Europa-Parlamentet og Rådet af 8. juni 2011 om begrænsning af anvendelsen af visse farlige stoffer i elektrisk og elektronisk udstyr.
- (PL) Deklarujemy na własną odpowiedzialność, że ten produkt spełnia wymogi zawarte w następujących normach i przepisach: jest zgodny z Dyrektywą 2011/65/UE Parlamentu Europejskiego i Rady z dnia 8 czerwca 2011 r. w sprawie ograniczenia stosowania niektórych niebezpiecznych substancji w sprzęcie elektrycznym i elektronicznym.
- (RO) Declarăm prin aceasta cu răspunderea deplină că produsul acesta este în conformitate cu următoarele standarde sau directive: este în conformitate cu Directiva 2011/65/UE a Parlamentului European și a Consiliului din 8 iunie 2011 cu privire la interzicerea utilizării anumitor substanțe periculoase la echipamentele electrice și electronice.
- (TR) Tek sorumlusu biz olmak üzere bu ürünün Avrupa Parlamentosunun 2011/65/EU ve 8 Haziran 2011 tarihli konseyin elektrikli ve elektronik ekipmanlarda belirlenmiş tehlikeli malzeme kullanımının kısıtlanması hakkındaki talimatları ile birlikte aşağıda belirtilen standart ve yönergelere uygun ve uyumlu olduğunu beyan ederiz:

**EN 55014-1, EN 55014-2, EN 61000-3-2, EN 61000-3-3,  
EN 60335-1, EN 60335-2-79, EN 62233  
2006/42/EC, 2014/30/EU, 2011/65/EU, 2012/19/EU**

Zwolle, 01-12-2021

H.G.F Rosberg  
CEO

VONROC • Lingenstraat 6 • 8028 PM Zwolle • The Netherlands



**VONROC®**  
BUILD YOUR FUTURE

©2021 VONROC  
[WWW.VONROC.COM](http://WWW.VONROC.COM)

2112-14