



VONROC®

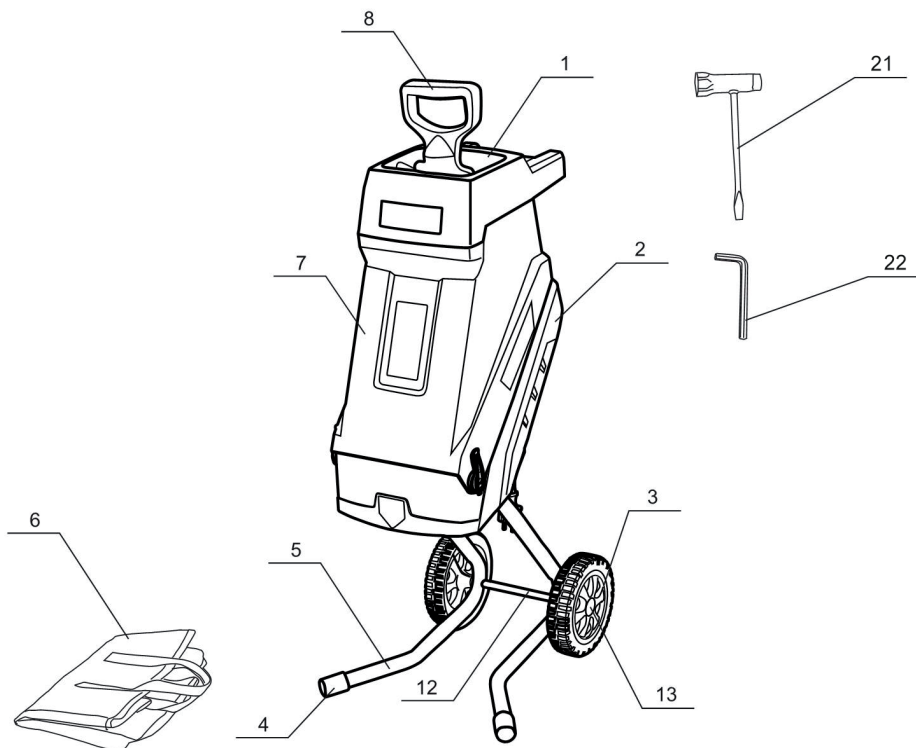
BUILD YOUR FUTURE

SHREDDER GS502AC

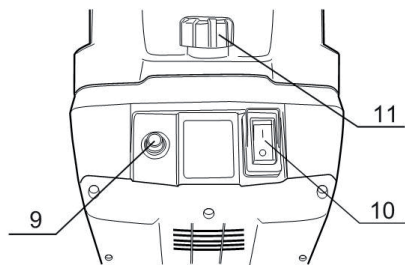


EN	Original Instructions	04
DE	Übersetzung Der Originalbetriebsanleitung	11
NL	Vertaling van de oorspronkelijke gebruiksaanwijzing	19
FR	Traduction de la notice originale	27
ES	Traducción del manual original	36
IT	Traduzione delle istruzioni originali	44
SV	Översättning av bruksanvisning i original	52
DA	Oversættelse af den originale brugsanvisning	59
PL	Tłumaczenie instrukcji oryginalnej	66
RO	Traducere a instrucțiunilor originale	75
PT	Tradução do manual original	83
HU	Az eredeti használati útmutató fordítása	91
CS	Překlad originálního návodu k obsluze	100

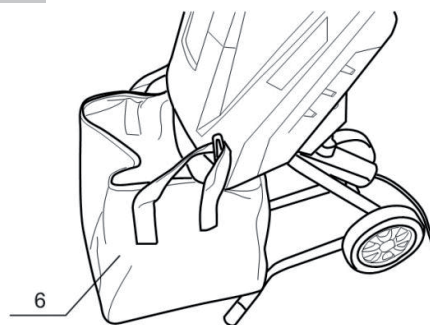
A

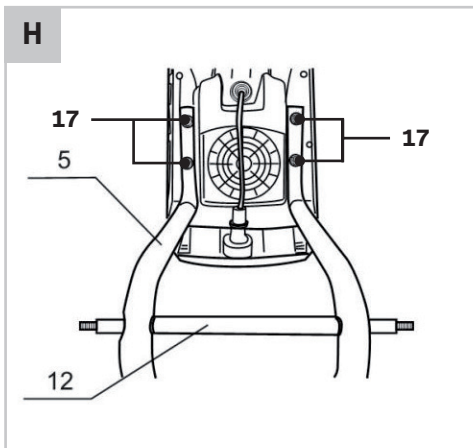
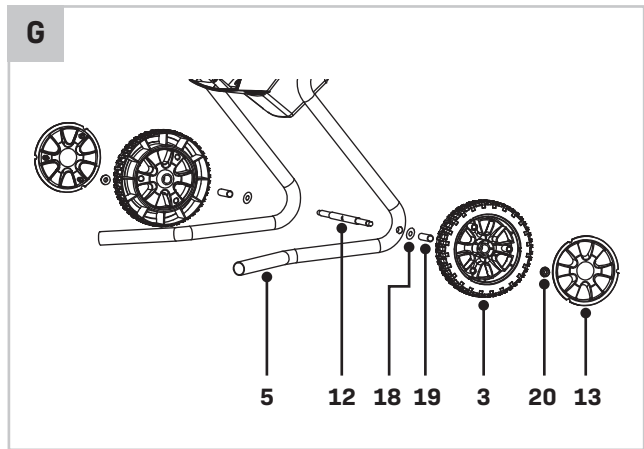
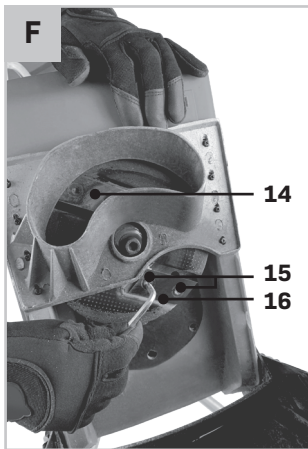
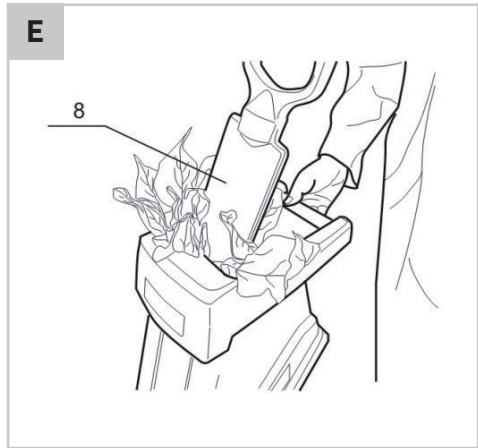
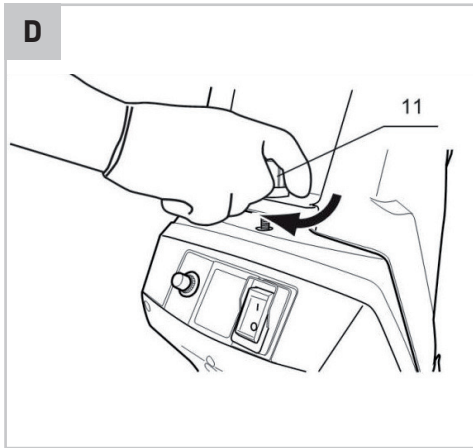


B



C





1. SAFETY INSTRUCTIONS

Read the enclosed safety warnings, the additional safety warnings and the instructions. Failure to follow the safety warnings and the instructions may result in electric shock, fire and/or serious injury. Save the safety warnings and the instructions for future reference.

The following symbols are used in the user manual or on the product:



Read the instructions!



Risk of personal injury.



Indicated danger, warning, or caution.



Wear eye and hearing protection.



Switch off and remove plug from mains before adjusting, cleaning or if the cord is entangled or damaged.



Pay attention that bystanders are not injured through foreign objects thrown from the machine. Warning: Keep a safe distance from the machine when operating.



Danger: Rotating blades. Keep your hands and feet away from the openings while the machine is running.



Wait until all machine components have completely stopped before touching them.



Do not use as a step.



Do not expose to rain.



*The guaranteed sound power level
LWA = 106 dB(A)*



Do not dispose of the product in unsuitable containers.



The product is in accordance with the applicable safety standards in the European directives.

GENERAL POWER TOOL SAFETY WARNINGS



WARNING! Read all safety warnings and all instructions. Failure to follow the warnings and instructions may result in electric shock, fire and/or serious injury.

Save all warnings and instructions for future reference.

The term “power tool” in the warnings refers to your mains-operated (corded) power tool or battery-operated (cordless) power tool.

1) Work area safety

- a) **Keep the work area clean and well lit.** Cluttered or dark areas invite accidents.
- b) **Do not operate power tools in explosive atmospheres, such as in the presence of flammable liquids, gases or dust.** Power tools create sparks which may ignite the dust or fumes.
- c) **Keep children and bystanders away while operating a power tool.** Distractions can cause you to lose control.

2) Electrical safety

- a) **Power tool plugs must match the outlet. Never modify the plug in any way. Do not use any adapter plugs with earthed (grounded) power tools.** Unmodified plugs and matching outlets will reduce risk of electric shock.
- b) **Avoid body contact with earthed or grounded surfaces, such as pipes, radiators, ranges and refrigerators.** There is an increased risk of electric shock if your body is earthed or grounded.
- c) **Do not expose power tools to rain or wet conditions.** Water entering a power tool will increase the risk of electric shock.
- d) **Do not abuse the cord. Never use the cord for carrying, pulling or unplugging the power tool. Keep cord away from heat, oil, sharp edges or moving parts.** Damaged or entangled cords increase the risk of electric shock.
- e) **When operating a power tool outdoors, use an extension cord suitable for outdoor use.** Use of a cord suitable for outdoor use reduces the risk of electric shock.
- f) **If operating a power tool in a damp location is unavoidable, use a residual current device (RCD) protected supply.** Use of an RCD reduces the risk of electric shock.

3) Personal safety

- a) **Stay alert, watch what you are doing and use common sense when operating a power tool. Do not use a power tool while you are tired or under the influence of drugs, alcohol or medication.**

A moment of inattention while operating power tools may result in serious personal injury.

- b) **Use personal protective equipment. Always wear eye protection.** Protective equipment such as dust mask, non-skid safety shoes, hard hat, or hearing protection used for appropriate conditions will reduce personal injuries.
- c) **Prevent unintentional starting. Ensure the switch is in the off-position before connecting to power source and/or battery pack, picking up or carrying the tool.** Carrying power tools with your finger on the switch or energising power tools that have the switch on invites accidents.
- d) **Remove any adjusting key or wrench before turning the power tool on.** A wrench or a key left attached to a rotating part of the power tool may result in personal injury.
- e) **Do not overreach. Keep proper footing and balance at all times.** This enables better control of the power tool in unexpected situations.
- f) **Dress properly. Do not wear loose clothing or jewellery. Keep your hair, clothing and gloves away from moving parts.** Loose clothes, jewellery or long hair can be caught in moving parts.
- g) **If devices are provided for the connection of dust extraction and collection facilities, ensure these are connected and properly used.** Use of dust collection can reduce dust related hazards.
- h) **Do not let familiarity gained from frequent use of tools allow you to become complacent and ignore tool safety principles.** A careless action can cause severe injury within a fraction of a second.

4) Power tool use and care

- a) **Do not force the power tool. Use the correct power tool for your application.** The correct power tool will do the job better and safer at the rate for which it was designed.
- b) **Do not use the power tool if the switch does not turn it on and off.** Any power tool that cannot be controlled with the switch is dangerous and must be repaired.
- c) **Disconnect the plug from the power source and/or the battery pack from the power tool before making any adjustments, changing accessories, or storing power tools.** Such preventive safety

measures reduce the risk of starting the power tool accidentally.

- d) **Store idle power tools out of the reach of children and do not allow persons unfamiliar with the power tool or these instructions to operate the power tool.** Power tools are dangerous in the hands of untrained users.
- e) **Maintain power tools. Check for misalignment or binding of moving parts, breakage of parts and any other condition that may affect the power tool's operation. If damaged, have the power tool repaired before use.** Many accidents are caused by poorly maintained power tools.
- f) **Keep cutting tools sharp and clean.** Properly maintained cutting tools with sharp cutting edges are less likely to bind and are easier to control.
- g) **Use the power tool, accessories and tool bits etc. in accordance with these instructions, taking into account the working conditions and the work to be performed.** Use of the power tool for operations different from those intended could result in a hazardous situation.
- h) **Keep handles and grasping surfaces dry, clean and free from oil and grease.** Slippery handles and grasping surfaces do not allow for safe handling and control of the tool in unexpected situations.

5) Battery tool use and care

- a) **Recharge only with the charger specified by the manufacturer.** A charger that is suitable for one type of battery pack may create a risk of fire when used with another battery pack.
- b) **Use power tools only with specifically designed battery packs.** Use of any other battery packs may create a risk of injury and fire.
- c) **When battery pack is not in use, keep it away from other metal objects, like paper clips, coins, keys, nails, screws or other small metal objects that can make a connection from one terminal to another.** Shorting the battery terminals together may cause burns or a fire.
- d) **Under abusive conditions, liquid may be ejected from the battery; avoid contact. If contact accidentally occurs, flush with water. If liquid contacts eyes, additionally seek medical help.** Liquid ejected from the battery may cause irritation or burns.
- e) **Do not use a battery pack or tool that is damaged or modified.** Damaged or modified batteries may exhibit unpredictable behaviour resulting in fire, explosion or risk of injury.

- f) **Do not expose a battery pack or tool to fire or excessive temperature.** Exposure to fire or temperature above 130 °C may cause explosion. NOTE The temperature „130 °C“ can be replaced by the temperature „265 °F“.
- g) **Follow all charging instructions and do not charge the battery pack or tool outside the temperature range specified in the instructions.** Charging improperly or at temperatures outside the specified range may damage the battery and increase the risk of fire.
- 6) Service**
- a) **Have your power tool serviced by a qualified repair person using only identical replacement parts.** This will ensure that the safety of the power tool is maintained.
- b) **Never service damaged battery packs.** Service of battery packs should only be performed by the manufacturer or authorized service providers.
- Before use check the supply and extension cord for signs of damage or ageing. If the cord becomes damaged during use, disconnect the cord from the supply immediately.
 - DO NOT TOUCH THE CORD BEFORE DISCONNECTING THE SUPPLY.
 - Not to connect a damaged cord to the supply or touch a damaged cord before it is disconnected from the supply. A damaged cord can lead to contact with live parts.
 - Do not use the shredder if the cord is damaged or worn.
 - Read the instructions carefully. Be familiar with the controls and proper use of the equipment. Avoid using the machine in bad weather conditions especially when there is a risk of lightning. Always wear substantial footwear and long trousers while operating the machine.
 - Keep children and pets well away from the work area and never allow children to use this appliance or touch the main power cord or extension cord at any time. When not in use, keep this appliance stored in a safe place out of reach of children.

ADDITIONAL SAFETY INSTRUCTION FOR SHREDDERS

- Only use this shredder when a Residual Current Device (RCD) with a tripping current of not more than 30mA is in the circuit.
- If an extension cord is used make sure it is for outdoor use and marked as such. The recommended size of extension cord is a H05VV-F or H05RN-F type, not lighter than 1.5 mm² and a maximum of 10 metres in length.
- Completely uncoil your extension cable before use to prevent overheating and loss of machine efficiency. When tidying away the cable, wind it carefully to avoid kinking.
- This appliance is not intended for use by persons (including children) with reduced physical, sensory or mental capabilities, or lack of experience and knowledge, unless they have been given supervision or instruction concerning use of the appliance by a person responsible for their safety. Children should be supervised to ensure that they do not play with the appliance.



WARNING: After switching off the machine, the cutting blade continues to rotate for a few more seconds.

- Frequently inspect the condition of the cutting blade. Damaged blade must be replaced immediately. Follow all the required precautions when replacing the blade.



WARNING: In order to reduce the risk, disconnect the plug from the supply power, only use recommended accessories as required, otherwise personal injury may result.

- Wear ear protection and safety glasses at all times while operating the machine
- Wear a dust protection if the shredding action causes the raising of dust or particles.
- Dress sensibly for the job in hand - no loose clothing that could get caught in the moving parts of the appliance.
- Pull long hair back out of the way and wear a protective hat.
- Only operate the machine in open space (e.g. not close to a wall or other fixed object) and on a firm, level surface.
- Do not operate the machine on a paved or gravel surface where ejected material could cause injury.
- Thoroughly inspect the shredder for loose or damaged parts before each use. Do not use the unit until adjustments or repairs are made.
- Replace damaged or unreadable labels.
- Only use a waterproof, fully unwound extension cable suitable for outdoor use.
- This appliance is for outdoor use only.

- Do not expose this appliance to rain.
- Use the shredder only in daylight or good artificial light.
- Never leave the appliance unattended.
- Do not use the appliance in an area where it could cause an explosion or fire - keep it away from flammable liquids and gases.
- Guard against electric shock - prevent body contact with earthed or grounded surfaces i.e. metal gates, posts or other metal objects in the work area.
- Never pull the appliance by its power cord. Wheel it or carry it with two hands.
- Do not allow the power cord to lay on or across sharp objects that might pierce the outer insulation. Carry out a visual inspection of the power cord before use and if it is damaged, have it replaced by a specialist service centre. Do not use the appliance if the cord is damaged.
- Keep the power cord away from heat, frost, oil, solvents or any sharp objects or edges.
- Do not use this appliance if you are on strong medication, unwell or have been drinking alcohol.
- Never attempt to put your hand inside the feeder hopper. If you want to push material into the cutting chamber use the push stick.
- Before starting the machine, look into the feeding chamber to make certain that it is empty.
- Keep your face and body away from the feed intake opening.
- Do not allow hands or any other part of the body or clothing inside the feeding chamber, discharge chute, or near any moving part.
- Keep proper balance and footing at all times. Do not overreach. Never stand at a higher level than the base of the machine when feeding material into it.
- Always stand clear of the discharge zone when operating this machine.
- When feeding material into the machine be extremely careful that pieces of metal, rocks, bottles, cans or other foreign objects are not included.
- If the cutting mechanism strikes any foreign objects or if the machine should start making any unusual noise or vibration, shut off the power source and allow the machine to stop (electric unit disconnect from supply):
 - *inspect for damage*
 - *check for and tighten any loose parts*
- *have any damaged parts replaced or repaired and use only the manufacturer's recommended replacement parts and accessories.*
- Do not allow processed material to build up in the discharge zone; this may prevent proper discharge and can result in kickback of material through the feed intake opening.
- If the machine becomes clogged, shut-off the power source (electric unit disconnect from supply) before clearing debris. Keep the power source clear of debris and other accumulations to prevent damage to the power source or possible fire. Remember that operating the starting mechanism on engine powered machines will still cause the cutting means to move.
- Keep all guards and deflectors in place and in good working condition.
- Do not tamper with the power source governor settings; the governor controls the safe maximum operating speed and protects the power source and all moving parts from damage caused by over-speed. Seek authorized service if a problem exists.
- Do not transport this machine while the power source is running.
- Shut off the power source and disconnect from supply whenever you leave the work area.
- Do not tilt the machine while the power source is running.
- Your shredder must be placed on firm, level ground.
- Never lay the shredder on its back, front or sides - keep it upright at all times.
- Do not overload the shredder - feed it slowly and let it work at its own pace.
- Before starting, ensure the inlet cavity is empty. Do not start the shredder with material in the shredder.
- Unless there is an emergency, do not switch the shredder off until it is completely empty of material.
- Remove stones or other hard objects from plant roots before shredding.
- Hold large twigs or fine branches firmly when feeding them into the shredder.
- Do not allow the outlet to get covered or blocked at any time.

Electrical safety

Always check that the voltage of the power supply corresponds to the voltage on the rating plate.

- Do not use the machine if the mains cable or the mains plug is damaged.
- Only use extension cables that are suitable for the power rating of the machine with a minimum thickness of 1.5 mm². If you use an extension cable reel, always fully unroll the cable.

2. MACHINE INFORMATION**Intended use**

This shredder is developed to chop up branches, twigs and other pruning. It can easily be reduced to wood chips for reuse. The shredder is intended for small to medium sized private gardens at home, it is not intended for heavy duty use.

TECHNICAL SPECIFICATIONS

Model No.	GS502AC
Voltage	230-240 V~
Frequency	50 Hz
Power	2500 W (P40)*
No load speed	4200/min.
Max. cutting diameter	45 mm**
Collection bag capacity	45 L
Weight	10.3 kg
Protection level	IPX4
Protection type	Class II
Sound power level (Lwa)	106 dB***

* The P40 40% operating mode means a load profile of 40 seconds of load and 60 seconds of idle running. Long-term operation is admissible for practical use.

** Depending on the hardness of the wood.

*** Measured values learnt according to 2000/14/EC & 2005/88/EC (1.60m height, 1m distance) measurement tolerance +/- 3 dB.

DESCRIPTION

The numbers in the text refer to the diagrams on pages 2-3.

1. Feeder hopper
2. Lower body
3. Wheel
4. Foot pad
5. Frame
6. Collection bag
7. Upper body
8. Push stick
9. Overload protection reset
10. On/Off switch
11. Knob
12. Connecting pole
13. Wheel cover
14. Blade defend block
15. Blade
16. Blade bolts
17. Frame bolts
18. Spacer
19. Axle bush
20. Wheel nut
21. Nut wrench
22. Hexagon wrench

3. ASSEMBLY

Before assembly, always switch off the machine and remove the mains plug from the mains.

Assembling the wheels and the frame (Fig. G & H)

1. Push the connecting pole (12) through the two lower holes of the frame (5).
2. Attach on each side of the connecting pole (12) a spacer (18), an axle bush (19) and a wheel (3). Then tighten with a nut (20).
3. Mount the wheel cover (13) onto the wheel (3).
4. Stand the shredder upside down (on the feeder hopper) and fit the frame (5) to the lower body (2) using 4 frame bolts (16) and tighten with the nut wrench (21).

4. OPERATION



Before using, always visually inspect to see that the blades, blade bolts and cutter assembly are not worn or damaged. Please keep power switched off and disconnect the power supply. Replace worn or damaged blades and bolts in sets to preserve balance.



If the machine starts to vibrate abnormally (check immediately):

- inspect for damage,
- replace or repair any damaged parts,
- check for and tighten any loose parts.



Immediately switch off the machine in the following cases:

- whenever you leave the machine,
- before clearing blockages or unclogging chute,
- before checking, cleaning or working on the machine,
- after striking a foreign object. Inspect the machine for damage and make repairs before restarting and operating the machine;



Put the machine on a solid and even surface at all times. Never tilt or move the machine when the engine is running.

Switching the machine on/off



Never attempt to put your hand inside the feeder hopper (1). If you want to push material into the cutting chamber use the push stick (8).

- Before starting the machine attach the collection bag (6) to both hooks of the housing.
- To start the machine, press the ON switch (10).
As a safety feature, the shredder will not start unless the hopper securing knob is fully tightened.
- To stop the machine, press the OFF switch (10).

Working instructions

- Branches and pruning waste become harder to shred depending on the type age and dryness of the wood. Best results are obtained by shredding fresh, soft cuttings with dry branches.
- The suitability of the shredder for cutting garden waste which is soft and contains large

amounts of sap (e.g. pomaceous fruit, wet plant waste) is limited. This material should be composted straight away.

- When shredding thick branches, only apply slight pressure to prevent blocking the shredder.
- Always allow the machine to cool down before storing.



Replace worn or damaged parts for safety. Use only genuine replacement parts and accessories.

Restart protection

This protection prevents accidental machine start after power failure. When power is restored, turn on the machine again.

Overload protection

If the machine is exposed to a high load (e.g. cutting cylinder is blocked), it will stop after a few seconds. Turn OFF the power and remove the plug. Push the overload protection reset (9) and then restart it for use.

Blockages

If the machine gets blocked up at any time, switch it off at the mains and remove the plug from the power socket. Turn the upper body knob (11) anti-clockwise until the upper body become loose. Pull it up and away from you to reveal the inside of the shredder. Clear any blockages, (be careful not to touch the sharp blades, replace the upper body and re-tighten by turning the knob (11) fully clockwise.

5. MAINTENANCE



Always disconnect the machine from the main power supply before carrying out any maintenance work.

Your shredder has been designed to operate over a long period of time with minimum of maintenance. Continuous satisfactory operation depends upon proper care and regular cleaning.

- Keep the shredder clean and dry.
- To clean the shredder, use only mild soap and a damp cloth. Never let any liquid get inside the tool and never immerse any part of the tool into liquid. Do not use any abrasive or solvent-based cleaner.

- When maintaining the shredder, be aware that although the power source is switched off, due to the locking function of the safety device, the shredder can still be moved.
- After every work stint, clean the machine thoroughly to remove all dust and debris, and repair or replace any faulty parts.
- Keep the device, in particular the air vents, clean at all times.
- Never spray water on the device body!
- Keep all nuts, bolts and screws tight to be sure the equipment is in safe working condition;
- Repairs and works specified in these Instructions may only be performed by qualified authorized staff.
- Use only original accessories and original spare parts. Components for which there are no instructions for exchanging should be replaced by the manufacturer only. Using other spare parts can result in accidents/injuries of the user. The manufacturer will not be liable for any such damage.

Replacing the cutting blades (Fig. F)



Before carrying out any work on the machine, disconnect the mains plug from the power supply.



When replacing the cutting blades, wear protective gloves. Danger of injury when touching the cutting blade.



Only use blades that are recommended by the manufacturer.



Replace worn or damaged parts for safety. Use only genuine replacement parts and accessories.

1. Turn the knob (11) completely anti-clockwise to open the upper body (7).
2. The machine has built in two blades (16) which can be replaced. Loosen the two bolts per blade with the hexagon wrench (22) to be able to take the blade off.
3. Insert a new blade and tighten the two bolts.
4. Close the upper body and turn the knob (11) completely clockwise.

ENVIRONMENT



Faulty and/or discarded electrical or electronic apparatus have to be collected at the appropriate recycling locations.

Only for EC countries

Do not dispose of power tools into domestic waste. According to the European Guideline 2012/19/EC for Waste Electrical and Electronic Equipment and its implementation into national right, power tools that are no longer usable must be collected separately and disposed of in an environmentally friendly way.

WARRANTY

VONROC products are developed to the highest quality standards and are guaranteed free of defects in both materials and workmanship for the period lawfully stipulated starting from the date of original purchase. Should the product develop any failure during this period due to defective material and/or workmanship then contact VONROC directly.

The following circumstances are excluded from this guarantee:

- Repairs and/or alterations have been made or attempted to the machine by unauthorized service centers;
- Normal wear and tear;
- The tool has been abused, misused or improperly maintained;
- Non-original spare parts have been used.

This constitutes the sole warranty made by company either expressed or implied. There are no other warranties expressed or implied which extend beyond the face hereof, herein, including the implied warranties of merchantability and fitness for a particular purpose. In no event shall VONROC be liable for any incidental or consequential damages. The dealers remedies shall be limited to repair or replacement of nonconforming units or parts.

The product and the user manual are subject to change. Specifications can be changed without further notice.

1. SICHERHEITSANWEISUNGEN

Lesen Sie die beiliegenden Sicherheitsanweisungen, die zusätzlichen Sicherheitsanweisungen sowie diese Bedienungsanleitung sorgfältig durch. Bei Nichtbeachten der Sicherheitsanweisungen und der Bedienungsanleitung kann es zu einem Stromschlag, einem Brand und/oder schweren Verletzungen kommen. Bewahren Sie die Sicherheitsanweisungen und die Bedienungsanleitung zur künftigen Bezugnahme sicher auf.

Folgende Symbole werden im Benutzerhandbuch oder auf dem Produkt verwendet:



Benutzerhandbuch/Bedienungsanleitung lesen!



Gefahr von Personenverletzungen.



Zeigt Gefahr, Warnung oder Vorsicht an.



Augen- und Gehörschutz tragen.



Schalten Sie die Maschine aus und ziehen Sie den Netzstecker, bevor Sie sie einstellen, reinigen oder wenn sich das Kabel verheddert hat oder beschädigt ist.



Achten Sie darauf, dass umstehende Personen nicht durch von der Maschine geschleuderte Fremdkörper verletzt werden. Warnung: Halten Sie beim Betrieb einen Sicherheitsabstand zu der Maschine ein.



Gefahr: Rotierende Klingen. Halten Sie Hände und Füße von den Öffnungen fern, während die Maschine läuft.



Warten Sie, bis alle Maschinenkomponenten vollständig zum Stillstand gekommen sind, bevor Sie sie berühren.



Verwenden Sie die Maschine nicht als Leiter.



Nicht Regen aussetzen.



Garantierter Schalleistungspegel
LWA = 106 dB(A)



Entsorgen Sie das Produkt nicht in hierfür nicht vorgesehenen Abfallbehältern.



Das Produkt entspricht den geltenden Sicherheitsstandards in den europäischen Richtlinien.

ALLGEMEINE SICHERHEITSHINWEISE



WARNUNG! Lesen Sie alle Sicherheitshinweise, Anweisungen, Gebildungen und technischen Daten, mit denen dieses Elektrowerkzeug versehen ist. Versäumnisse bei der Einhaltung der nachfolgenden Anweisungen können elektrischen Schlag, Brand und/oder schwere Verletzungen verursachen.

Bewahren Sie alle Sicherheitshinweise und Anweisungen für die Zukunft auf.

Der in den Sicherheitshinweisen verwendete Begriff „Elektrowerkzeug“ bezieht sich auf netzbetriebene Elektrowerkzeuge (mit Netzleitung) oder auf akkubetriebene Elektrowerkzeuge (ohne Netzleitung).

1) Arbeitsplatzsicherheit

- a) **Halten Sie Ihren Arbeitsbereich sauber und gut beleuchtet.** Unordnung oder unbeleuchtete Arbeitsbereiche können zu Unfällen führen.
- b) **Arbeiten Sie mit dem Elektrowerkzeug nicht in explosionsgefährdeter Umgebung, in der sich brennbare Flüssigkeiten, Gase oder Stäube befinden.** Elektrowerkzeuge erzeugen Funken, die den Staub oder die Dämpfe entzünden können.
- c) **Halten Sie Kinder und andere Personen während der Benutzung des Elektrowerkzeugs fern.** Bei Ablenkung können Sie die Kontrolle über das Elektrowerkzeug verlieren.

2) Elektrische Sicherheit

- a) **Der Anschlussstecker des Elektrowerkzeugs muss in die Steckdose passen. Der Stecker darf in keiner Weise verändert werden. Verwenden Sie keine Adapterstecker gemeinsam mit geschützten Elektrowerkzeugen.** Unveränderte Stecker und passende Steckdosen verringern das Risiko eines elektrischen Schlages.
- b) **Vermeiden Sie Körperkontakt mit geerdeten Oberflächen wie von Rohren, Heizungen, Herden und Kühlschränken.** Es besteht ein erhöhtes Risiko durch elektrischen Schlag, wenn Ihr Körper geerdet ist.

- c) **Halten Sie Elektrowerkzeuge von Regen oder Nässe fern.** Das Eindringen von Wasser in ein Elektrowerkzeug erhöht das Risiko eines elektrischen Schlages.
- d) **Zweckentfremden Sie die Anschlussleitung nicht, um das Elektrowerkzeug zu tragen, aufzuhängen oder um den Stecker aus der Steckdose zu ziehen. Halten Sie die Anschlussleitung fern von Hitze, Öl, scharfen Kanten oder sich bewegenden Teilen.** Beschädigte oder verwickelte Anschlussleitungen erhöhen das Risiko eines elektrischen Schlages.
- e) **Wenn Sie mit einem Elektrowerkzeug im Freien arbeiten, verwenden Sie nur Verlängerungsleitungen, die auch für den Außenbereich geeignet sind.** Die Anwendung einer für den Außenbereich geeigneten Verlängerungsleitung verringert das Risiko eines elektrischen Schlages.
- f) **Wenn der Betrieb des Elektrowerkzeugs in feuchter Umgebung nicht vermeidbar ist, verwenden Sie einen Fehlerstromschutzschalter.** Der Einsatz eines Fehlerstromschutzschalters vermindert das Risiko eines elektrischen Schlages.
- 3) Sicherheit von Personen**
- a) **Seien Sie aufmerksam, achten Sie darauf, was Sie tun, und gehen Sie mit Vernunft an die Arbeit mit einem Elektrowerkzeug. Benutzen Sie kein Elektrowerkzeug, wenn Sie müde sind oder unter dem Einfluss von Drogen, Alkohol oder Medikamenten stehen.** Ein Moment der Unachtsamkeit beim Gebrauch des Elektrowerkzeugs kann zu ernsthaften Verletzungen führen.
- b) **Tragen Sie persönliche Schutzausrüstung und immer eine Schutzbrille.** Das Tragen persönlicher Schutzausrüstung, wie Staubmaske, rutschfeste Sicherheitsschuhe, Schutzhelm oder Gehörschutz, je nach Art und Einsatz des Elektrowerkzeugs, verringert das Risiko von Verletzungen.
- c) **Vermeiden Sie eine unbeabsichtigte Inbetriebnahme. Vergewissern Sie sich, dass das Elektrowerkzeug ausgeschaltet ist, bevor Sie es an die Stromversorgung und/oder den Akku anschließen, es aufnehmen oder tragen.** Wenn Sie beim Tragen des Elektrowerkzeugs den Finger am Schalter haben oder das Elektrowerkzeug eingeschaltet an die Stromversorgung anschließen, kann dies zu Unfällen führen.
- d) **Entfernen Sie Einstellwerkzeuge oder Schraubenschlüssel, bevor Sie das Elektrowerkzeug einschalten.** Ein Werkzeug oder Schlüssel, der sich in einem drehenden Teil des Elektrowerkzeugs befindet, kann zu Verletzungen führen.
- e) **Vermeiden Sie eine abnormale Körperhaltung. Sorgen Sie für einen sicheren Stand und halten Sie jederzeit das Gleichgewicht.** Dadurch können Sie das Elektrowerkzeug in unerwarteten Situationen besser kontrollieren.
- f) **Tragen Sie geeignete Kleidung. Tragen Sie keine weite Kleidung oder Schmuck. Halten Sie Haare und Kleidung fern von sich bewegenden Teilen.** Lockere Kleidung, Schmuck oder lange Haare können von sich bewegenden Teilen erfasst werden.
- g) **Wenn Staubabsaug- und -auffangeinrichtungen montiert werden können, sind diese anzuschließen und richtig zu verwenden.** Verwendung einer Staubabsaugung kann Gefährdungen durch Staub verringern.
- h) **Wiegen Sie sich nicht in falscher Sicherheit und setzen Sie sich nicht über die Sicherheitsregeln für Elektrowerkzeuge hinweg, auch wenn Sie nach vielfachem Gebrauch mit dem Elektrowerkzeug vertraut sind.** Achtloses Handeln kann binnen Sekundenbruchteilen zu schweren Verletzungen führen.
- 4) Verwendung und Behandlung des Elektrowerkzeugs**
- a) **Überlasten Sie das Elektrowerkzeug nicht. Verwenden Sie für Ihre Arbeit das dafür bestimmte Elektrowerkzeug.** Mit dem passenden Elektrowerkzeug arbeiten Sie besser und sicherer im angegebenen Leistungsbereich.
- b) **Benutzen Sie kein Elektrowerkzeug, dessen Schalter defekt ist.** Ein Elektrowerkzeug, das sich nicht mehr ein- oder ausschalten lässt, ist gefährlich und muss repariert werden.
- c) **Ziehen Sie den Stecker aus der Steckdose und/oder entfernen Sie einen abnehmbaren Akku, bevor Sie Geräteeinstellungen vornehmen, Einsatzwerkzeugteile wechseln oder das Elektrowerkzeug weglegen.** Diese Vorsichtsmaßnahme verhindert den unbeabsichtigten Start des Elektrowerkzeugs.
- d) **Bewahren Sie unbenutzte Elektrowerkzeuge außerhalb der Reichweite von Kindern auf. Lassen Sie keine Personen das Elektrowerkzeug benutzen, die mit diesem nicht vertraut sind oder diese Anweisungen nicht gelesen haben.** Elektrowerkzeuge sind gefährlich, wenn sie von unerfahrenen Personen benutzt werden.

- e) **Pflegen Sie Elektrowerkzeuge und Einsatzwerkzeug mit Sorgfalt. Kontrollieren Sie, ob bewegliche Teile einwandfrei funktionieren und nicht klemmen, ob Teile gebrochen oder so beschädigt sind, dass die Funktion des Elektrowerkzeugs beeinträchtigt ist. Lassen Sie beschädigte Teile vor dem Einsatz des Elektrowerkzeugs reparieren.** Viele Unfälle haben ihre Ursache in schlecht gewarteten Elektrowerkzeugen.
- f) **Halten Sie Schneidwerkzeuge scharf und sauber.** Sorgfältig gepflegte Schneidwerkzeuge mit scharfen Schneidkanten verkleben sich weniger und sind leichter zu führen.
- g) **Verwenden Sie Elektrowerkzeug, Zubehör, Einsatzwerkzeuge usw. entsprechend diesen Anweisungen. Berücksichtigen Sie dabei die Arbeitsbedingungen und die auszuführende Tätigkeit.** Der Gebrauch von Elektrowerkzeugen für andere als die vorgesehenen Anwendungen kann zu gefährlichen Situationen führen.
- h) **Halten Sie Griffe und Griffflächen trocken, sauber und frei von Öl und Fett.** Rutschige Griffe und Griffflächen erlauben keine sichere Bedienung und Kontrolle des Elektrowerkzeugs in unvorhergesehenen Situationen.
- 5) **Verwendung und Behandlung des Akkuwerkzeugs**
- a) **Laden Sie die Akkus nur mit Ladegeräten auf, die vom Hersteller empfohlen werden.** Durch ein Ladegerät, das für eine bestimmte Art von Akkus geeignet ist, besteht Brandgefahr, wenn es mit anderen Akkus verwendet wird.
- b) **Verwenden Sie nur die dafür vorgesehenen Akkus in den Elektrowerkzeugen.** Der Gebrauch von anderen Akkus kann zu Verletzungen und Brandgefahr führen.
- c) **Halten Sie den nicht benutzten Akku fern von Büroklammern, Münzen, Schlüsseln, Nägeln, Schrauben oder anderen kleinen Metallgegenständen, die eine Überbrückung der Kontakte verursachen könnten.** Ein Kurzschluss zwischen den Akkukontakten kann Verbrennungen oder Feuer zur Folge haben.
- d) **Bei falscher Anwendung kann Flüssigkeit aus dem Akku austreten. Vermeiden Sie den Kontakt damit. Bei zufälligem Kontakt mit Wasser abspülen. Wenn die Flüssigkeit in die Augen kommt, nehmen Sie zusätzlich ärztliche Hilfe in Anspruch.** Austretende Akkuflüssigkeit kann zu Hautreizungen oder Verbrennungen führen.
- e) **Benutzen Sie keinen beschädigten oder veränderten Akku.** Beschädigte oder veränderte Akkus können sich unvorhersehbar verhalten und zu Feuer, Explosion oder Verletzungsgefahr führen.
- f) **Setzen Sie einen Akku keinem Feuer oder zu hohen Temperaturen aus.** Feuer oder Temperaturen über 130 °C können eine Explosion hervorrufen.
- g) **Befolgen Sie alle Anweisungen zum Laden und laden Sie den Akku oder das Akkuwerkzeug niemals außerhalb des in der Betriebsanleitung angegebenen Temperaturbereichs.** Falsches Laden oder Laden außerhalb des zugelassenen Temperaturbereichs kann den Akku zerstören und die Brandgefahr erhöhen.
- 6) **Service**
- a) **Lassen Sie Ihr Elektrowerkzeug nur von qualifiziertem Fachpersonal und nur mit Original-Ersatzteilen reparieren.** Damit wird sichergestellt, dass die Sicherheit des Elektrowerkzeugs erhalten bleibt.
- b) **Warten Sie niemals beschädigte Akkus.** Sämtliche Wartung von Akkus sollte nur durch den Hersteller oder bevollmächtigte Kundendienststellen erfolgen.

ZUSÄTZLICHE SICHERHEITSANWEISUNGEN FÜR HÄCKSLER

- Häcksler nur verwenden, wenn eine Fehlerstromvorrichtung (Residual Current Device (RCD)) mit einem Auslösestrom von maximal 30mA im Kreis ist.
- Bei Verwendung eines Verlängerungskabels sicherstellen, dass es sich für die Verwendung im Außenbereich eignet und als solches gekennzeichnet ist. Das empfohlene Verlängerungskabel muss vom Typ H05VV-F oder H05RN-F sein, einen Kabeldurchschnitt von mindestens 1,5 mm² und eine Länge von höchstens 10 Metern haben.
- Das Verlängerungskabel vor dem Gebrauch komplett ausrollen, um ein Überhitzen und einen Effizienzverlust zu vermeiden. Beim Aufräumen das Kabel vorsichtig aufrollen, um ein Abknicken zu vermeiden.
- Diese Maschine ist nicht zur Verwendung durch Personen (einschließlich Kinder) mit eingeschränkten körperlichen, sensorischen oder geistigen Fähigkeiten oder mangelnder Erfahrung und mangelndem Wissen vorgesehen, es sei denn, sie wurden von einer für ihre Sicher-

heit verantwortlichen Person beaufsichtigt oder in die Verwendung der Maschine eingewiesen. Kinder müssen beaufsichtigt werden, um sicherzustellen, dass sie nicht mit dem Gerät spielen.



WARNUNG: Nach dem Abschalten der Maschine rotiert die Klinge noch für ein paar Sekunden.

- Den Zustand der Schneidklinge häufig prüfen. Eine beschädigte Klinge muss sofort ausgetauscht werden. Beim Austausch der Klinge alle erforderlichen Vorsichtsmaßnahmen einhalten.
- Vor dem Gebrauch das Strom- und Verlängerungskabel auf Anzeichen von Schäden oder Verschleiß prüfen. Wenn das Kabel während des Gebrauchs beschädigt wird, dann trennen Sie das Kabel sofort vom Netz.
- DAS KABEL NICHT VOR DEM TRENNEN DER STROMVERSORGUNG BERÜHREN.
- Ein defektes Kabel nicht an die Stromversorgung anschließen, und ein beschädigtes Kabel nicht berühren, bevor es von der Stromversorgung getrennt ist. Ein beschädigtes Kabel kann zu Kontakt mit stromführenden Teilen führen.
- Häcksler nicht verwenden, wenn das Kabel beschädigt oder verschlissen ist.
- Die Anweisungen sorgfältig lesen. Machen Sie sich mit den Steuerungen und der ordnungsgemäßen Nutzung des Geräts vertraut. Vermeiden Sie den Betrieb der Maschine bei schlechten Wetterbedingungen, insbesondere wenn Gewittergefahr besteht. Tragen Sie bei der Bedienung der Maschine immer festes Schuhwerk und lange Hosen.
- Halten Sie Kinder und Haustiere vom Arbeitsbereich der Maschine fern und erlauben Sie Kindern niemals, sie zu benutzen oder das Verlängerungskabel zu berühren. Das Gerät an einem sicheren Ort außerhalb der Reichweite von Kindern lagern, wenn es nicht in Gebrauch ist.



WARNUNG: Um das Risiko zu reduzieren, den Stecker aus der Steckdose ziehen und bei Bedarf nur das empfohlene Zubehör verwenden. Ansonsten kann es zu Personenschäden kommen.

- Tragen Sie bei der Bedienung der Maschine immer einen Gehörschutz und eine Schutzbrille.
- Staubschutz tragen, wenn das Häckseln Staub oder Partikel aufwirbelt.
- Ziehen Sie sich für die jeweilige Arbeit angemessen an: also keine lose Kleidung, die sich in den beweglichen Teilen der Maschine verfangen könnte.
- Binden Sie lange Haare zurück und tragen Sie eine schützende Kopfbedeckung.
- Betreiben Sie die Maschine nur mit genügend Freiraum um sie herum (also nicht in der Nähe einer Wand oder eines anderen festen Gegenstandes) und nur auf festem, ebenem Untergrund.
- Betreiben Sie die Maschine nicht auf einer gepflasterten oder geschotterten Fläche, wo herausgeschleudertes Material Verletzungen verursachen könnte.
- Den Häcksler vor jedem Gebrauch sorgfältig auf lose oder beschädigte Teile prüfen. Nicht verwenden, bis die Anpassungen oder Reparaturen vorgenommen wurden.
- Ersetzen Sie beschädigte oder unleserliche Etiketten.
- Verwenden Sie nur ein wasserdichtes, vollständig abgewickelteres Verlängerungskabel, das für den Außeneinsatz geeignet ist.
- Diese Maschine ist ausschließlich für den Gebrauch im Freien bestimmt.
- Die Maschine keinem Regen aussetzen.
- Den Häcksler nur bei Tageslicht oder in gutem Kunstlicht verwenden.
- Lassen Sie die Maschine niemals unbeaufsichtigt.
- Verwenden Sie die Maschine nicht in einem Bereich, in dem es zu einer Explosion oder einem Brand kommen kann. Halten Sie es stets von brennbaren Flüssigkeiten und Gasen fern.
- Schutz vor elektrischem Schlag: Vermeiden Sie Körperkontakt mit geerdeten Oberflächen, z. B. Metalltoren, Pfosten oder anderen Metallobjekten im Arbeitsbereich.
- Ziehen Sie die Maschine niemals am Stromkabel. Sie können sie rollen oder mit zwei Händen tragen.
- Das Stromkabel nicht auf oder über spitze Objekte legen, welche die Außenisolierung durchbohren könnten. Eine Sichtprüfung des Stromkabels durchführen, und wenn das Kabel beschädigt ist, von einem speziellen Servicezentrum austauschen lassen. Das Gerät nicht verwenden, wenn das Kabel beschädigt ist.

- Halten Sie das Stromkabel von Hitze, Frost, Öl, Lösungsmitteln und scharfen Gegenständen oder Kanten fern.
- Die Maschine nicht verwenden, wenn Sie starke Medikamente einnehmen, sich unwohl fühlen oder unter Alkoholeinfluss stehen.
- Versuchen Sie niemals, mit der Hand in den Einfülltrichter zu fassen. Wenn Sie Material weiter in die Schneidkammer hineinschieben wollen, verwenden Sie den Schiebestock.
- Schauen Sie vor dem Starten der Maschine in den Einfülltrichter, um sicherzustellen, dass dieser leer ist.
- Halten Sie Ihr Gesicht und Ihren Körper von der Einfüllöffnung fern.
- Achten Sie darauf, dass weder Hände noch andere Körperteile oder Kleidungsstücke in das Innere der Einfüllkammer, des Auswurfschachts oder in die Nähe von beweglichen Teilen gelangen.
- Achten Sie jederzeit auf Ihr Gleichgewicht und auf festen Stand. Keine anormale Arbeitshaltung einnehmen. Stellen Sie sich niemals auf eine Position, die höher als die Basis der Maschine liegt, wenn Sie Material in die Maschine einführen.
- Halten Sie sich beim Betrieb dieser Maschine immer entfernt vom Auswurfbereich auf.
- Achten Sie beim Zuführen von Material in die Maschine unbedingt darauf, dass keine Metallstücke, Steine, Flaschen, Dosen oder andere Fremdkörper darin enthalten sind.
- Wenn das Schneidwerk auf einen Fremdkörper trifft oder die Maschine ungewöhnliche Geräusche oder Vibrationen erzeugt, schalten Sie den Strom aus und warten Sie, bis die Maschine stillsteht (elektrische Einheit von der Stromversorgung trennen):
 - *auf Beschädigungen untersuchen*
 - *auf lose Teile prüfen und diese befestigen*
 - *beschädigte Teile austauschen oder reparieren lassen und nur die vom Hersteller empfohlenen Ersatz- und Zubehörteile verwenden.*
- Lassen Sie nicht zu, dass sich verarbeitetes Material im Auswurfbereich ansammelt; dies kann einen ordnungsgemäßen Auswurf verhindern und zu einem Rückstoß von Material durch die Einfüllöffnung führen.
- Wenn die Maschine verstopft ist, schalten Sie die Stromquelle aus (Elektroeinheit von der Stromversorgung trennen), bevor Sie die Verstopfung beseitigen. Halten Sie die Stromquelle frei von Ablagerungen und anderen Ansammlungen, um eine Beschädigung der Stromquelle oder ein mögliches Feuer zu vermeiden. Denken Sie daran, dass die Betätigung des Startmechanismus bei motorbetriebenen Maschinen immer auch eine Bewegung der Schneidvorrichtung bewirkt.
- Halten Sie alle Schutzvorrichtungen und Abweiser stets angebracht und in gutem Zustand.
- Manipulieren Sie nicht die Einstellungen des Stromquellenreglers. Dieser Regler steuert die sichere maximale Betriebsgeschwindigkeit und schützt die Stromquelle und alle beweglichen Teile vor Schäden durch Überdrehzahl. Wenden Sie sich beim Auftreten von Problemen an einen autorisierten Kundendienst.
- Transportieren Sie die Maschine nicht, während die Stromquelle eingeschaltet ist.
- Schalten Sie die Stromquelle aus und trennen Sie die Maschine von der Stromversorgung, wenn Sie den Arbeitsbereich verlassen.
- Kippen Sie die Maschine nicht, während die Stromquelle eingeschaltet ist.
- Der Häcksler muss auf einem festen, ebenen Untergrund stehen.
- Legen Sie den Häcksler niemals auf die Rückseite, die Vorderseite oder die Seiten – lassen Sie ihn immer aufrecht stehen.
- Überlasten Sie den Häcksler nicht – führen Sie das Material langsam zu und lassen Sie es ihn in seinem eigenen Tempo verarbeiten.
- Stellen Sie vor dem Start sicher, dass der Einfüllbereich leer ist. Starten Sie den Häcksler nicht, wenn sich Material in ihm befindet.
- Schalten Sie den Häcksler – außer in Notfällen – erst aus, wenn er vollständig entleert ist.
- Entfernen Sie vor dem Zerkleinern von Pflanzenwurzeln Steine oder andere harte Gegenstände daraus.
- Halten Sie große Zweige oder feine Äste fest, wenn Sie sie dem Häcksler zuführen.
- Achten Sie darauf, dass der Auswurfschacht zu keiner Zeit abgedeckt oder blockiert wird.

Elektrische Sicherheit



Achten Sie stets darauf, dass die Spannung der Stromversorgung mit der Spannung auf dem Typenschild übereinstimmt.

- Verwenden Sie die Maschine nicht, wenn das Netzkabel oder der Netzstecker beschädigt ist.
- Verwenden Sie nur Verlängerungskabel, die für die Leistungsaufnahme der Maschine geeignet sind und eine Mindestaderstärke von 1.5 mm² haben. Falls Sie eine Kabeltrommel verwenden, rollen Sie das Kabel immer vollständig ab.

2. ANGABEN ZUM WERKZEUG

Verwendungszweck

Dieser Häcksler wurde zum Zerkleinern von Ästen, Zweigen und anderem Schnittgut entwickelt. Dieses kann leicht zu Holzspänen zerkleinert und weiterverwendet werden. Der Häcksler ist für kleine bis mittelgroße Privatgärten gedacht, er ist nicht für den professionellen Einsatz vorgesehen.

TECHNISCHE DATEN

Modellnummer	GS502AC
Spannung	230-240 V~
Frequenz	50 Hz
Leistung	2500 W (P40)*
Leerlaufdrehzahl	4200 U/min.
Max. Schnittdurchmesser	45 mm**
Fassungsvermögen des Auffangbeutels	45 L
Gewicht	10.3 kg
Schutzstufe	IPX4
Schutzart	Klasse II
Schalleistung (Lwa)	106 dB***

* Die Betriebsart P40 40% bedeutet ein Lastprofil von 40 Sekunden Last und 60 Sekunden Leerlauf. Beim praktischen Einsatz ist ein Langzeitbetrieb zulässig.

** Abhängig von der Härte des Holzes.

*** Messwerte ermittelt nach 2000/14/EG & 2005/88/EG (1,60 m Höhe, 1 m Abstand) Messtoleranz +/- 3 dB.

BESCHREIBUNG

Die Ziffern im nachstehenden Text verweisen auf die Abbildungen auf Seite 2-3.

1. Einfülltrichter
2. Unterteil
3. Rad
4. Fußschutz
5. Rahmen
6. Auffangbeutel
7. Oberteil
8. Schiebstock
9. Überlastschutz-Resetknopf
10. Ein-/Ausschalter
11. Knopf
12. Verbindungsstange
13. Radabdeckung
14. Klingenablenckblock
15. Klinge
16. Klingenschrauben
17. Rahmenschrauben
18. Abstandsstück
19. Achsenbuchse
20. Radmutter
21. Mutternschlüssel
22. Sechskantschlüssel

3. MONTAGE



Schalten Sie die Maschine vor der Montage aus und ziehen Sie den Netzstecker aus der Steckdose.

Montage von Rädern und Rahmen (Abb. G & H)

1. Schieben Sie die Verbindungsstange (12) durch die beiden unteren Löcher des Rahmens (5).
2. Befestigen Sie auf jeder Seite der Verbindungsstange (12) ein Abstandsstück (18), eine Achsenbuchse (19) und ein Rad (3). Ziehen Sie anschließend alles mit einer Mutter (20) fest.
3. Montieren Sie die Radabdeckung (13) am Rad (3).
4. Stellen Sie den Häcksler auf den Kopf (auf den Einfülltrichter) und befestigen Sie den Rahmen (5) mit 4 Rahmenschrauben (16) am Unterteil (2) und ziehen Sie sie mit dem Mutternschlüssel (21) fest.

4. BETRIEB



Vor Gebrauch immer eine Sichtprüfung zu machen, um festzustellen, dass die Klingen, Messerschrauben und Schneidmesser nicht verschlissen oder beschädigt sind. Den Strom ausgeschaltet lassen und die Stromversorgung trennen. Verschlissene oder beschädigte Klingen und Schrauben in Sets austauschen, um das Gleichgewicht zu halten.



Wenn das Gerät anfängt, ungewöhnlich zu vibrieren, sofort wie folgt vorgehen:
- auf Beschädigungen untersuchen,
- beschädigte Teile ersetzen oder reparieren,
- auf lose Teile prüfen und diese befestigen.



In folgenden Fällen das Gerät sofort ausschalten:
- immer, wenn das Gerät verlassen wird,
- vor dem Beseitigen von Verstopfungen oder dem Lösen von Verstopfungen im Schacht zum Grasfangkorb,
- vor dem Prüfen, Reinigen oder Arbeiten an dem Gerät,
- nach dem Auftreffen auf einen Fremdkörper. Untersuchen Sie das Gerät auf Schäden und führen Sie Reparaturen durch, bevor Sie es wieder einschalten und verwenden.



Stellen Sie die Maschine immer auf eine feste und ebene Fläche. Kippen oder bewegen Sie die Maschine niemals bei laufendem Motor.

Ein-/Ausschalten des Geräts

Versuchen Sie niemals, mit der Hand in den Einfülltrichter (1) zu fassen. Wenn Sie Material weiter in die Schneidkammer hineinschieben wollen, verwenden Sie den Schiebestock (8).

- Befestigen Sie vor dem Starten der Maschine den Auffangbeutel (6) an den beiden Haken am Gehäuse.
- Zum Starten der Maschine drücken Sie den Einschalter (10). Aus Sicherheitsgründen startet der Häcksler erst, wenn der Sicherungsknopf des Trichters vollständig angezogen ist.
- Zum Anhalten der Maschine drücken Sie den Ausschalter (10).

Arbeitsanweisungen

- Äste und Schnittgut lassen sich je nach Art, Alter und Trockenheit des Holzes schwerer zerkleinern. Die besten Ergebnisse werden erzielt, wenn Sie frische, weiche Stücke zusammen mit trockenen Ästen zerkleinern.
- Die Eignung des Häckslers zum Zerkleinern von Gartenabfällen, die weich sind und viel Flüssigkeit enthalten (z. B. Kernobst, nasse Pflanzenabfälle), ist eingeschränkt. Dieses Material sollte besser direkt kompostiert werden.
- Üben Sie beim Zerkleinern von dicken Ästen nur leichten Druck aus, um ein Blockieren des Häckslers zu vermeiden.
- Lassen Sie die Maschine vor der Aufbewahrung immer abkühlen.



Verschlissene oder beschädigte Teile aus Sicherheitsgründen austauschen. Nur Original-Ersatzteile und Zubehör verwenden.

Wiederanlaufschutz

Diese Schutzfunktion verhindert das versehentliche Starten der Maschine nach einem Stromausfall. Wenn die Stromversorgung wiederhergestellt ist, können Sie die Maschine wieder einschalten.

Überlastschutz

Wenn die Maschine einer hohen Belastung ausgesetzt wird (z. B. weil der Schneidzylinder blockiert ist), stoppt sie nach einigen Sekunden. Schalten Sie die Maschine dann aus und ziehen Sie den Stecker. Drücken Sie den Überlastungsschutz-Resetknopf (9) und starten Sie ihn dann erneut zur Verwendung.

Blockaden

Sollte die Maschine einmal blockiert sein, schalten Sie den Strom aus und ziehen Sie den Stecker aus der Steckdose. Drehen Sie den Drehknopf des Oberteils (11) gegen den Uhrzeigersinn, bis das Oberteil locker ist. Ziehen Sie es nach oben und von sich weg, um das Innere des Häckslers freizulegen. Beseitigen Sie eventuelle Verstopfungen (achten Sie darauf, die scharfen Klingen nicht zu berühren), setzen Sie das Oberteil wieder auf und ziehen Sie es wieder fest, indem Sie den Drehknopf (11) ganz im Uhrzeigersinn drehen.

5. WARTUNG



Achten Sie immer darauf, dass die Maschine nicht an das Stromnetz angeschlossen ist, wenn Sie Wartungsarbeiten an dem Gerät durchführen.

Ihr Häcksler ist darauf ausgelegt, über einen langen Zeitraum mit einem Minimum an Wartung betrieben zu werden. Ein fortwährend zufriedenstellender Betrieb hängt von einer ordnungsgemäße pflege und regelmäßiger Reinigung ab.

- Den Häcksler sauber und trocken halten.
- Zum Reinigen des Häckslers nur milde Seife und ein feuchtes Tuch verwenden. Niemals Flüssigkeit in das Werkzeug gelangen lassen und keine Teile des Werkzeugs in Flüssigkeit tauchen. Kein scheuer- oder lösemittelbasiertes Reinigungsmittel verwenden.
- Beachten Sie bei der Wartung des Häckslers, dass er sich trotz ausgeschalteter Stromquelle aufgrund der Sperrfunktion der Sicherheitseinrichtung noch bewegen kann.
- Reinigen Sie die Maschine nach jedem Einsatz gründlich von Staub und Ablagerungen und reparieren oder ersetzen Sie defekte Teile.
- Halten Sie die Maschine, insbesondere die Lüftungsschlitze, stets sauber.
- Spritzen Sie niemals Wasser auf das Maschinengehäuse!
- Alle Muttern, Bolzen und Schrauben festgezogen halten, um sicherzustellen, dass die Ausrüstung in einem arbeitssicheren Zustand ist;
- Reparaturen und Arbeiten, die in dieser Anleitung beschrieben sind, dürfen nur von qualifizierten und autorisierten Personen durchgeführt werden.
- Verwenden Sie nur Originalzubehör und Originalersatzteile. Komponenten, für die es keine Austauschanleitung gibt, sollten nur durch den Hersteller ausgetauscht werden. Die Verwendung anderer Ersatzteile kann zu Unfällen/Verletzungen des Benutzers führen. Der Hersteller haftet nicht für derartige Schäden.

Wechseln der Schneidklingen (Abb. F)



Ziehen Sie vor allen Arbeiten an der Maschine den Netzstecker aus der Steckdose.



Tragen Sie beim Ersetzen der Schneidklingen Schutzhandschuhe. Verletzungsgefahr beim Berühren der Schneidklingen.



Verwenden Sie nur vom Hersteller empfohlene Schneidklingen.



Verschlossene oder beschädigte Teile aus Sicherheitsgründen austauschen. Nur Original-Ersatzteile und Zubehör verwenden.

1. Drehen Sie den Knopf (11) komplett gegen den Uhrzeigersinn, um das obere Gehäuse (7) zu öffnen.
2. In der Maschine sind zwei Klingen (16) eingebaut, die ausgetauscht werden können. Lösen Sie die beiden Schrauben pro Klinge mit dem Sechskantschlüssel (22), um die Klinge abnehmen zu können.
3. Setzen Sie eine neue Klinge ein und ziehen Sie die beiden Schrauben fest.
4. Schließen Sie das Oberteil und drehen Sie den Drehknopf (11) komplett im Uhrzeigersinn.

UMWELTSCHUTZ



Schadhafte und/oder zu entsorgende elektrische oder elektronische Werkzeuge und Geräte müssen an den dafür vorgesehenen Recycling-Stellen abgegeben werden.

Nur für EG-Länder

Entsorgen Sie Elektrowerkzeuge nicht über den Hausmüll. Entsprechend der EU-Richtlinie 2012/19/EG über Elektro- und Elektronik-Altgeräte sowie der Umsetzung in nationales Recht müssen Elektrowerkzeuge, die nicht mehr im Gebrauch sind, getrennt gesammelt und umweltschonend entsorgt werden.

GARANTIE

VONROC-Produkte werden nach den höchsten Qualitätsstandards entwickelt und sind für den gesetzlich festgelegten Zeitraum, ausgehend von dem ursprünglichen Kaufdatum, garantiert frei von Fehlern in Material und Ausführung. Sollte das Produkt in diesem Zeitraum aufgrund von Material- und/oder Verarbeitungsmängeln Fehler aufweisen, wenden Sie sich bitte direkt an VONROC Kundendienst.

Folgende Umstände sind von der Garantie ausgeschlossen:

- Reparaturen und oder Änderungen an der Maschine, die durch nicht-autorisierte Servicestellen vorgenommen oder versucht wurden.
- Normale Abnutzung und Verschleiß.
- Das Werkzeug wurde übermäßig beansprucht, missbräuchlich verwendet oder falsch gewartet.
- Es wurden keine Original-Ersatzteile verwendet.

Dies stellt die einzige Gewährleistung des Unternehmens dar, sowohl ausdrücklich als auch implizit. Es gibt keine anderen ausdrücklichen oder stillschweigenden Garantien, die über das hier Genannte hinausgehen, einschließlich der stillschweigenden Garantien der Marktgängigkeit oder Eignung für einen bestimmten Zweck. In keinem Fall ist VONROC haftbar für Neben- oder Folgeschäden. Die Rechtsmittel des Händlers beschränken sich auf Reparatur oder Ersatz fehlerhafter Einheiten oder Teile.

Am Produkt und am Benutzerhandbuch können Änderungen vorgenommen werden. Die technischen Daten können sich ohne Vorankündigung ändern.

1. VEILIGHEIDSVOORSCHRIFTEN

Lees de bijgesloten veiligheidswaarschuwingen, de aanvullende veiligheidswaarschuwingen en de instructies. Het niet opvolgen van de veiligheidswaarschuwingen kan elektrische schokken, brand en/of ernstig letsel tot gevolg hebben. Bewaar de veiligheidswaarschuwingen en instructies als naslagwerk voor later.

De volgende symbolen worden gebruikt in de gebruikershandleiding of op het product:



Lees de gebruikershandleiding!



Gevaar voor persoonlijk letsel.



Aanduiding van gevaar, waarschuwing of aanwijzing voor veilig gebruik.



Draag bescherming van ogen en gehoor.



Schakel de machine uit en trek de stekker uit het stopcontact voor u de machine afstelt of schoonmaakt, of als het snoer in de war is geraakt of beschadigd.



Let op dat omstanders niet gewond raken door voorwerpen die uit de machine worden geslingerd. Waarschuwing: Houd een veilige afstand aan tot de machine wanneer deze in werking is.



Gevaar: Roterende snijbladen. Houd uw handen en voeten weg bij de openingen wanneer de machine in werking is.



Wacht tot alle componenten van de machine volledig tot stilstand zijn gekomen voor u ze aanraakt.



Gebruik de versnipperaar nooit als opstapje.



Stel de machine niet bloot aan regen.



Het gegarandeerde geluidsvermogensniveau LWA = 106 dB(A)



Werp het product niet weg in ongeschikte containers.



Het product voldoet aan de geldende veiligheidsnormen vermeld in de Europese richtlijnen.

ALGEMENE VEILIGHEIDSVOORSCHRIFTEN



WAARSCHUWING! Lees alle veiligheids-waarschuwingen en alle instructies. Het niet opvolgen van onderstaande instructies kan leiden tot een elektrische schok, brand en/of ernstig persoonlijk letsel.

Bewaar deze instructies.

De term "elektrisch gereedschap" in onderstaande waarschuwingen heeft betrekking op zowel apparatuur met een vaste elektriciteitskabel als op apparatuur met een accu (draadloze apparatuur).

1) Werkgebied

- a) **Zorg voor een opgeruimde en goed verlichte werkomgeving.** Rommelige en donkere werkomgevingen leiden tot ongelukken
- b) **Gebruik elektrisch gereedschap nooit in een omgeving waar explosiegevaar bestaat, zoals in de nabijheid van ontvlambare vloeistoffen, gassen, dampen of andere stoffen.** Elektrische gereedschappen kunnen vonken veroorzaken, die deze stoffen tot ontbranding kunnen brengen.
- c) **Wanneer u elektrisch gereedschap gebruikt, houd dan kinderen en omstanders op afstand.** Wanneer u wordt afgeleid, kunt u de controle over het gereedschap verliezen.

2) Elektrische veiligheid

- a) **Stekkers van elektrische gereedschappen moeten probleemloos passen op het stopcontact. Breng nooit wijzigingen aan in of aan de stekker. Gebruik geen adapters voor geaarde elektrische gereedschappen.** Standaardstekkers en passende stopcontacten verkleinen de kans op een elektrische schok.
- b) **Voorkom lichamelijke contact met geaarde oppervlakken van bijvoorbeeld pijpen, leidingen, radiatoren, fornuizen en koelkasten.** Wanneer uw lichaam geaard is, wordt de kans op een elektrische schok groter.
- c) **Stel elektrische gereedschappen nooit bloot aan regen of vocht.** Wanneer er water binnendringt in een elektrisch gereedschap, wordt de kans op een elektrische schok groter.

- d) **Gebruik het snoer niet om het elektrisch gereedschap te dragen, te verplaatsen of de stekker uit het stopcontact te trekken. Bescherm het snoer tegen olie, warmte, scherpe randen en bewegende delen.** Beschadigde of vastzittende snoeren vergroten de kans op een elektrische schok.
- e) **Wanneer u elektrische gereedschappen buiten gebruikt, gebruik dan een verlengkabel die geschikt is voor buitengebruik.** Door een kabel te gebruiken die geschikt is voor buitengebruik, wordt de kans op een elektrische schok kleiner.
- f) **Gebruik een aardlekbeveiliging (RCD) als niet te voorkomen is dat een power tool moet worden gebruikt in een vochtige omgeving.** Gebruik van een RCD vermindert het risico van elektrische schokken.

3) Persoonlijke veiligheid

- a) **Blijf altijd alert, kijk goed wat u doet en gebruik uw gezonde verstand wanneer u een elektrisch gereedschap gebruikt. Gebruik geen elektrische gereedschappen wanneer u moe bent, of drugs, alcohol of medicijnen hebt gebruikt.** Eén moment van onachtzaamheid bij het gebruik van elektrische gereedschappen kan ernstige verwondingen tot gevolg hebben.
- b) **Gebruik persoonlijke beschermingsmiddelen. Draag altijd een veiligheidsbril.** Een gepast gebruik van veiligheidsvoorzieningen, zoals een stof masker, speciale werkschoenen met antislipzolen, een veiligheidshelm en gehoorbescherming verkleinen de kans op persoonlijk letsel.
- c) **Voorkom dat het gereedschap per ongeluk wordt gestart. Zorg dat de schakelaar op de UITpositie staat, voordat u de stekker in het stopcontact steekt.** Draag elektrisch gereedschap nooit met uw vinger op de schakelaar en steek ook nooit de stekker van ingeschakelde elektrische gereedschappen in het stopcontact: dit leidt tot ongelukken.
- d) **Verwijder alle instel en andere sleutels uit het elektrisch gereedschap voordat u hem inschakelt.** Instel en andere sleutels aan een ronddraaiend onderdeel van het elektrisch gereedschap kunnen tot verwondingen leiden.
- e) **Zorg dat u nooit uw evenwicht kunt verliezen; houd altijd twee voeten stevig op de vloer.** Hierdoor kunt u het elektrisch gereedschap in onverwachte situaties beter onder controle houden.

- f) **Zorg dat u geschikte kleding draagt. Draag geen loshangende kleding of sieraden. Houd uw haar, kleding en handschoenen uit de buurt van bewegende delen.** Loshangende kleding, sieraden en lang haar kunnen vast komen te zitten in bewegende delen.
- g) **Wanneer er voorzieningen zijn voor de aansluiting van stofafzuiginstallaties, zorg dan dat ze op de juiste wijze worden aangesloten en gebruikt.** Gebruik van deze voorzieningen vermindert de gevaren die door stof worden veroorzaakt.
- h) **Denk niet dat doordat u gereedschap vaak gebruikt, u wel weet hoe het allemaal werkt en dat u de veiligheidsbeginselen voor het gebruik van het gereedschap wel kunt negeren.** Een onbezonnen actie kan in een fractie van een seconde ernstig letsel tot gevolg hebben.
- 4) Gebruik en onderhoud van elektrisch gereedschap**
- a) **Oefen geen overmatige kracht uit op elektrisch gereedschap. Gebruik het juiste gereedschap voor uw specifieke toepassing.** Met het juiste elektrische gereedschap voert u de taak beter en veiliger uit wanneer dit op de snelheid gebeurt waarvoor het apparaat is ontworpen.
- b) **Gebruik nooit elektrisch gereedschap waarvan de AAN/UITschakelaar niet werkt.** Ieder elektrisch gereedschap dat niet kan worden in en uitgeschakeld met de schakelaar is gevaarlijk en moet worden gerepareerd.
- c) **Trek de stekker uit het stopcontact voordat u wijzigingen aanbrengt aan elektrische gereedschappen, accessoires verwisselt of het elektrisch gereedschap opbergt.** Wanneer u zich aan deze preventieve veiligheidsmaatregelen houdt, beperkt u het risico dat het gereedschap per ongeluk wordt gestart.
- d) **Berg elektrisch gereedschap dat niet in gebruik is op buiten bereik van kinderen en laat personen die niet bekend zijn met het gereedschap of deze instructies het apparaat niet gebruiken.** Elektrisch gereedschap is gevaarlijk in de handen van ongeofende gebruikers.
- e) **Zorg voor een goed onderhoud van elektrisch gereedschap. Controleer of bewegende delen op de juiste wijze zijn vastgezet. Controleer ook of er geen onderdelen defect zijn of dat er andere omstandigheden zijn die van invloed kunnen zijn op de werking van het gereedschap. Laat het gereedschap bij beschadigingen repareren vóór gebruik.** Veel ongelukken worden veroorzaakt door slecht onderhoud van het gereedschap.
- f) **Zorg dat snij en zaagwerktuigen scherp en schoon blijven.** Goed onderhouden snij en zaagwerktuigen met scherpe randen zullen minder snel vastlopen en zijn eenvoudiger onder controle te houden.
- g) **Gebruik alle elektrische gereedschappen, accessoires, bitjes etc., zoals aangegeven in deze instructies en op de wijze waarvoor het gereedschap is ontworpen. Houd daarbij rekening met de werkomstandigheden en de uit te voeren taak.** Gebruik van elektrisch gereedschap voor handelingen die afwijken van de taken waarvoor het apparaat is ontworpen kunnen leiden tot gevaarlijke situaties.
- h) **Houd handgrepen en greepoppervlakken droog, schoon en vrij van olie en vet.** Gladde handgrepen en greepoppervlakken maken veilig werken en controle over het gereedschap in onverwachte situaties onmogelijk.
- 5) Gebruik en onderhoud accugereedschap**
- a) **Laad alleen op met de lader die door de fabrikant is gespecificeerd.** Een lader die voor een bepaalde accu geschikt is, kan brand veroorzaken wanneer deze met een andere accu wordt gebruikt.
- b) **Gebruik elektrisch gereedschap alleen met de speciaal hiervoor bedoelde accu's.** Gebruik van andere accu's kan kans op letsel en brand geven.
- c) **Wanneer de accu niet in gebruik is, houd deze dan uit de buurt van andere metalen voorwerpen zoals paperclips, munten, sleutels, spijkers, schroeven of andere kleine metalen voorwerpen die een verbinding tussen twee polen kunnen maken.** Kortsluiting tussen de accupolen kan brandwonden of brand veroorzaken.
- d) **Wanneer de accu niet juist wordt gebruikt, kan er vloeistof uit lopen; raak dit niet aan. Wanneer dit per ongeluk wel gebeurt, spoel dan met water. Wanneer de vloeistof in de ogen komt, moet u een arts raadplegen.** De vloeistof uit de accu kan irritaties of brandwonden veroorzaken.
- e) **Gebruiken niet een accu of gereedschap dat beschadigd is of gemodificeerd.** Beschadigde of gemodificeerde accu's kunnen onvoorspelbaar gedrag vertonen, wat brand, explosie of een risico van letsel met zich meebrengt.
- f) **Stel een accu over het gereedschap niet bloot aan open vuur of een uitzonderlijk**

hoge temperatuur. Blootstelling aan vuur of een temperatuur hoger dan 130 °C, kan een explosie veroorzaken. NB De temperatuur van "130 °C" kan worden vervangen door de temperatuur van "265 °F".

- g) **Houd u aan alle instructies voor het laden en laad de accu of het gereedschap niet op buiten het temperatuurbereik dat in de instructies wordt aangeduid.** Op een onjuiste wijze laden of laden bij temperaturen buiten het aangeduide bereik kan de accu beschadigen en het risico van brand doen toenemen.

6) Service

- a) **Laat uw gereedschap onderhouden door een gekwalificeerde onderhoudstechnicus die alleen gebruikmaakt van identieke vervangingsonderdelen.** Dit zorgt ervoor dat de veiligheid van de powertool intact blijft.
- b) **Voer nooit servicewerkzaamheden uit aan beschadigde accu's.** Alleen de fabrikant of geautoriseerde service-providers mogen servicewerkzaamheden aan accu's uitvoeren.

AANVULLENDE VEILIGHEIDSLINSTRUCTIES VOOR VERSNIJPERAARS

- Gebruik deze versnipperaar uitsluitend met een aardlekschakelaar (Residual Current Device - RCD) met een schakelstroom van niet meer dan 30 mA in het circuit.
- Als een verlengsnoer wordt gebruikt, controleer dan dat het geschikt is voor gebruik buitenshuis en dat het als zodanig is gemarkeerd. De aanbevolen afmeting van een verlengsnoer is dat van het type H05VV-F of H05RN-F, minimaal 1,5 mm² en maximaal 10 meter lang.
- Rol voor gebruik uw verlengsnoer volledig uit zodat oververhitting en verlies van efficiëntie van de versnipperaar wordt voorkomen. Wanneer u de kabel opruimt, rol deze dan met beleid op zodat er geen knikken in komen.
- Het is niet de bedoeling dat dit apparaat wordt gebruikt door personen (waaronder kinderen) met verminderde fysieke, zintuiglijke of psychische vermogens, of die het ontbreekt aan ervaring en kennis, tenzij zij onder toezicht staan of instructies krijgen over het gebruik van het apparaat van iemand die verantwoordelijk is voor hun veiligheid. Kinderen moeten onder toezicht staan zodat zij beslist niet met het apparaat kunnen spelen.

WAARSCHUWING: Nadat u de machine hebt



uitgeschakeld, blijft het snijblad nog enkele seconden ronddraaien.

- Inspecteer vaak de conditie van het snijblad. Een beschadigd blad moet onmiddellijk worden vervangen. Neem alle vereiste voorzorgsmaatregelen wanneer u het blad vervangt.
- Controleer voor gebruik het netsnoer en verlengsnoer op tekenen van beschadiging of veroudering. Raakt een snoer tijdens het gebruik beschadigd, trek dan onmiddellijk de stekker van het snoer uit het stopcontact.
- **RAAK HET SNOER PAS AAN WANNEER U DE STEKKER UIT HET STOPCONTACT HEBT GETROKKEN.**
- Sluit een beschadigd snoer niet aan op de stroomvoorziening en raak een beschadigd snoer niet aan, voordat de stekker uit het stopcontact is getrokken. Een beschadigd snoer kan contact met onderdelen die onder spanning staan, veroorzaken.
- Gebruik de versnipperaar niet als het snoer beschadigd of versleten is.
- Lees de instructies aandachtig door. Leer de bedieningsfuncties en het juiste gebruik van de apparatuur kennen. Werk niet met de versnipperaar onder slechte weersomstandigheden, vooral niet wanneer er onweer dreigt. Draag altijd stevig schoeisel en een lange broek wanneer u met de machine werkt.
- Houd kinderen en huisdieren op voldoende afstand van het werkgebied en laat nooit kinderen dit apparaat gebruiken of te eniger tijd het verlengsnoer aanraken. Berg het apparaat, wanneer u het niet gebruikt, op buiten bereik van kinderen.



WAARSCHUWING: *Beperk het risico, trek de stekker uit het stopcontact, gebruik alleen aanbevolen accessoires, omdat anders persoonlijk letsel kan ontstaan.*

- Draag altijd gehoorbescherming en een veiligheidsbril wanneer u met de machine werkt
- Draag een stofmasker als de werking van de versnipperaar het opwaaien van stof of deeltjes veroorzaakt.
- Draag de juiste kleding voor de werkzaamheden die uitvoert - geen losse kleding die bekneld kan raken in de bewegende delen van de machine.
- Draag lang haar naar achteren en draag een veiligheidshoed.

- Werk alleen met de machine in een open ruimte (bijv. niet dicht bij een muur of een ander vast voorwerp) en op een stevige, gelijke ondergrond.
- Werk niet met de machine op een oppervlak van stenen of grind, waar uitgeworpen materiaal letsel kan veroorzaken.
- Inspecteer steeds vóór gebruik de versnipperaar op losse of beschadigde onderdelen. Gebruik de machine pas weer wanneer aanpassingen en reparaties zijn uitgevoerd.
- Vervang beschadigde of onleesbare etiketten.
- Gebruik uitsluitend een waterbestendig, volledig afgerold verlengsnoer dat geschikt is voor gebruik buitenshuis.
- Dit gereedschap is uitsluitend bedoeld gebruik buitenshuis.
- Stel de machine niet bloot aan regen.
- Gebruik de versnipperaar uitsluitend bij daglicht of goed kunstlicht.
- Laat de machine nooit onbeheerd achter.
- Gebruik de machine niet op een plek waar deze een explosie of brand kan veroorzaken - houd de machine weg bij brandbare vloeistoffen en gassen.
- Bescherm uzelf tegen een elektrische schok - maak geen contact met geaarde oppervlakken, zoals metalen hekken, staanders of andere metalen objecten op de werkplek.
- Trek de machine nooit naar u toe aan het netsnoer. Gebruik een wagentje of draag de machine met twee handen.
- Let erop dat het netsnoer niet ligt op of over scherpe voorwerpen, die de isolatiemantel zouden kunnen doorboren. Voer een visuele inspectie uit van het netsnoer voor u de machine gebruikt, en laat het netsnoer door een gespecialiseerd servicecentrum vervangen, als het is beschadigd. Gebruik de machine niet als het snoer is beschadigd.
- Houd het netsnoer weg bij warmtebronnen, vrieskou, olie, oplosmiddelen of scherpe voorwerpen of randen.
- Gebruik de machine niet wanneer u krachtige medicijnen gebruikt, wanneer u zich niet lekker voelt of wanneer u alcohol heeft gedronken.
- Steek nooit uw hand in de invoerbak. Wilt u materiaal in de versnipperkamer duwen, doe dat dan met een aanduwstok.
- Kijk voor u de machine start, in de invoerkamer, zodat u zeker weet dat die leeg is.
- Houd uw gezicht en lichaam weg bij de opening van de invoer.
- Zorg ervoor dat niet uw handen of een ander deel van uw lichaam of van kleding in de invoerkamer, de uitwerptrechter of bij een bewegend onderdeel terecht komt.
- Zorg ervoor dat u altijd stevig en in evenwicht staat. Reik niet buiten uw macht. Ga nooit hoger staan dan de grondplaat van de machine wanneer u materiaal in de machine stopt.
- Houd altijd afstand tot het uitwerpgebied wanneer u met de machine werkt.
- Ga voorzichtig te werk en let er wanneer u materiaal in de machine invoert, zeer goed op dat er geen stukken metaal, stenen, flessen, blikken of andere vreemde voorwerpen tussen zitten.
- Als het versnippermechanisme een voorwerp raakt of als de machine ongebruikelijke geluiden maakt of hevig trilt, schakel de voedingsbron dan uit en laat de machine tot stilstand komen (stekker uit het stopcontact van elektrische unit):
 - *voer een inspectie uit op beschadigingen*
 - *voer een controle uit op losse onderdelen en zet ze vast*
 - *laat beschadigde onderdelen vervangen of repareren en laat daarbij uitsluitend door de fabrikant aanbevolen vervangende onderdelen en accessoires gebruiken.*
- Laat het verwerkte materiaal niet ophopen in het uitwerpgebied; dit zal het goed uitwerpen van materiaal misschien bemoeilijken en kan een terugslag van materiaal door de invoeropening tot gevolg hebben.
- Als de machine verstopt raakt, schakel de voedingsbron dan uit (stekker uit het stopcontact van elektrische unit) voor u vuil en resten opruimt. Houd de voedingsbron vrij van afval en andere opeenhopingen zodat beschadiging van de voedingsbron of mogelijke brand wordt voorkomen. Denk eraan dat het in werking stellen van het startmechanisme op een gemotoriseerde machine ook het versnippermechanisme in werking kan stellen.
- Houd alle beschermkappen en schilden op hun plaats en een goede werkende staat.
- Knoei niet met de instellingen van de voedingsregelaar; de regelaar zorgt voor een veilige maximale bedrijfssnelheid en beschermt de voedingsbron en alle bewegende onderdelen

tegen beschadigingen die kunnen ontstaan door een te hoge snelheid. Vragen advies aan een erkend servicecentrum als er zich een probleem voordoet.

- Vervoer deze machine niet terwijl de voedingsbron in werking is.
- Sluit, altijd wanneer u het werkgebied verlaat, de voedingsbron af en trek de stekker uit het stopcontact.
- Kantel de machine niet terwijl de voedingsbron in werking is.
- U moet de versnipperaar op een stevige vlakke ondergrond plaatsen.
- Leg de versnipperaar nooit op de achterzijde, de voorzijde of zijkant - houd de machine altijd rechtop.
- Overbelast de versnipperaar niet - voer materiaal langzaam in en laat de machine op eigen snelheid werken.
- Controleer, voor u de machine start, dat de invoerruimte leeg is. Start de versnipperaar niet terwijl er materiaal in zit.
- Alleen in een noodgeval mag u de versnipperaar uitschakelen voor de machine helemaal leeg is.
- Verwijder stenen een andere harde voorwerpen uit plantwortels voor u dergelijk materiaal gaan versnipperen.
- Houd grote of kleine takken stevig vast wanneer u ze in de versnipperaar invoert.
- Zorg er altijd voor dat de uitwerpopening niet afgedekt of geblokkeerd is.

Elektrische veiligheid



Controleer altijd of de spanning van de stroomtoevoer overeenkomt met de spanning op het typeplaatje.

- Gebruik de machine niet indien het netsnoer of de netstekker zijn beschadigd.
- Gebruik uitsluitend verlengkabels die geschikt zijn voor het vermogen van de machine met een minimale dikte van 1.5 mm². Indien u een verlengkabelhaspel gebruikt, rol dan altijd de kabel volledig uit.

2. TECHNISCHE INFORMATIE

Bedoeld gebruik

Deze versnipperaar is ontwikkeld voor het klein maken van takken, takjes en ander snoeiafval. Dit materiaal kunt u gemakkelijk versnipperen tot her te gebruiken snippers. De versnipperaar is bedoeld voor kleine tot middelgrote particuliere tuinen thuis, en is niet bedoeld voor zware toepassingen.

TECHNISCHE SPECIFICATIES

Modelnr.	GS502AC
Spanning	230-240 V~
Frequentie	50 Hz
Vermogen	2500 W (P40)*
Onbelaste snelheid	4200/min.
Max. snijdiameter	45 mm**
Capaciteit van opvangzak	45 L
Gewicht	10.3 kg
Beveiligingsniveau	IPX4
Type beveiliging	Klasse II
Geluidsdruk (Lwa)	106 dB***

* De 40% bedrijfsstand P40 betekent een belastingsprofiel van 40 seconden belasting en 60 seconden vrijloop. Werking gedurende lange tijd is toegestaan voor praktisch gebruik.

** Afhankelijk van de hardheid van het hout.

*** Gemeten waarden verkregen volgens 2000/14/EC & 2005/88/EC (1,60 m hoogte, 1 m afstand) meettolerantie +/- 3 dB.

BESCHRIJVING

De nummers in de tekst verwijzen naar de illustraties op pagina 2-3.

1. Invoerbak
2. Onderste deel
3. Wiel
4. Voet
5. Frame
6. Opvangzak
7. Bovenste deel
8. Aanduwstok
9. Reset overbelastingsbeveiliging
10. Aan/Uit-schakelaar
11. Knop

12. Verbindingstang
13. Wielkap
14. Beschermingsblok snijmes
15. Snijmes
16. Snijmesbouten
17. Framebouten
18. Tussenring
19. Asbus
20. Wielmoer
21. Moersleutel
22. Zeskantsteutel

3. ASSEMBLAGE



Schakel voor assemblage altijd de machine uit en verwijder de netstekker uit het stopcontact.

De wielen en het frame monteren (Afb. G & H)

1. Duw de verbindingstang (12) door de twee onderste gaten van het frame (5).
2. Bevestig aan iedere zijde van de verbindingstang (12) een tussenring (18), een asbus (19) en een wiel (3). Zet vervolgens vast met een moer (20).
3. Monteer de wielkap (13) op het wiel (3).
4. Zet de versnipperaar ondersteboven (op de invoerbak) en zet het frame (5) met 4 framebouten (16) op het onderste deel (2) en zet de bouten vast met de moersleutel (21).

4. BEDIENING



Voer altijd een visuele inspectie uit voordat u het gereedschap gebruikt, om te zien of de snijbladen, de bouten van de snijbladen en het zwaard niet versleten of beschadigd zijn. Houd het apparaat uitgeschakeld en verbreek de verbinding met de stroomvoorziening. Vervang versleten of beschadigde snijbladen en bouten in sets, zodat het gereedschap in balans blijft.



Als de machine abnormaal begint te trillen (voer onmiddellijk een inspectie uit):

- voer een inspectie uit op beschadigingen,
- vervang of repareer eventuele beschadigde onderdelen,
- voer een inspectie uit op losse onderdelen en zet ze vast.



Schakel de machine onmiddellijk uit in de volgende gevallen:

- wanneer u de machine onbeheerd achterlaat,
- voordat u blokkeringen verhelpt of de uitstort vrijmaakt,
- voordat u de machine inspecteert, schoonmaakt of er werkzaamheden aan verricht,
- nadat u een vreemd voorwerp hebt geraakt. Inspecteer de machine op schade en voer reparaties uit voordat u de machine weer aanzet en in gebruik neemt.



Zet de machine altijd op een stevige en vlakke ondergrond. Kantel of verplaats de machine nooit wanneer de motor loopt.

De machine in-/uitschakelen



Steek nooit uw hand in de invoerbak (1). Wilt u materiaal in de versnipperkamer duwen, doe dat dan met een aanduwstok (8).

- Bevestig, voor u de machine start de opvangzak (6) op de beide haken van de behuizing.
- Schakel de machine in door op de Aan/Uit-schakelaar (10) te drukken. Als veiligheidsvoorziening zal de versnipperaar pas starten wanneer de bevestigingsknop van de invoerbak geheel is vastgezet.
- U kunt de machine uitschakelen door op de Aan/Uit-schakelaar (10) te drukken.

Werkinstructies

- Takken en snoeiafval zijn moeilijker te versnipperen als het hout ouder en droger is. De beste resultaten worden verkregen wanneer u verse, zachte en droge takken en takjes versnipperert.
- De versnipperde is minder geschikt voor het versnipperen van tuinafval dat zacht is en grote hoeveelheden sap bevat, (bijv. appelresten, nat plantaafval). U kunt dit materiaal direct composteren.
- Oefen, wanneer u dikke takken versnipperert, slechts lichte druk uit zodat de versnipperaar niet kan blokkeren.
- Berg de machine pas op wanneer deze is afgekoeld.
- Vervang voor uw veiligheid versleten of beschadigde onderdelen. Gebruik uitsluitend oorspronkelijke vervangende onderdelen en accessoires.

Herstartbeveiliging

Deze beveiliging voorkomt dat de machine onbedoeld wordt gestart na stroomuitval. Wanneer de stroomvoorziening is hersteld, kunt u de machine weer starten.

Overbelastingsbeveiliging

Als de machine te zwaar belast wordt (bijv. de snijcilinder is geblokkeerd), zal de machine na enkele seconden stoppen. Schakel de machine uit en trek de stekker uit het stopcontact. Duw op de reset (9) van de overbelastingsbeveiliging en start de machine weer.

Verstoppen

Als de machine verstopt raakt, schakel deze dan altijd uit en trek de stekker uit het stopcontact. Draai de knop (11) op het bovenste deel naar links tot het bovenste deel los komt te staan. Trek dit deel omhoog en van u af zodat de binnenzijde van de versnipperaar zichtbaar wordt. Verhelp de verstoppingen (let er vooral goed op dat u de scherpe snijmessen niet aanraakt), plaats het bovenste deel weer en zet het vast door de knop (11) volledig naar rechts te draaien.

5. ONDERHOUD



Controleer altijd dat het toestel niet op de stroomvoorziening is aangesloten wanneer u onderhoud aan het mechanisme uitvoert.

De versnipperaar is zo ontworpen dat zij met een minimum aan onderhoud lange tijd dienst kan doen. Voortdurend gebruik naar tevredenheid is afhankelijk van de juiste verzorging van de machine en regelmatige reiniging.

- Houd de Versnipperaar schoon en droog.
- Maak de versnipperaar schoon met slechts een milde zeepoplossing en een vochtige doek. Laat nooit vloeistoffen in het gereedschap doordringen en dompel nooit een onderdeel van het gereedschap onder in vloeistof. Gebruik nooit een schoonmaakmiddel op basis van een oplosmiddel of een schuurmiddel.
- Wanneer u onderhoud aan de versnipperaar uitvoert, let er dan op dat, al is de voedingsbron uitgeschakeld, de versnipperaar toch kan bewegen door de vergrendelfunctie.

- Reinig steeds na werkzaamheden de machine grondig en verwijder alle stof en vuil, vervang of repareer defecte onderdelen.
- Houd de machine, en vooral de ventilatieopeningen, altijd goed schoon.
- Sproei nooit water op de behuizing van de machine!
- Let erop dat alle bouten en moeren en schroeven goed vastzitten zodat u zeker weet dat de apparatuur in goede werkende staat is;
- Reparaties en werkzaamheden die in deze instructies worden vermeld, mogen alleen door gekwalificeerd en geautoriseerd personeel worden uitgevoerd.
- Gebruik alleen originele accessoires en originele reserveonderdelen. Componenten waarvoor geen instructies voor vervanging worden gegeven, mogen alleen door de fabrikant worden vervangen. Het gebruik van andere vervangende onderdelen kan ongelukken/verwondingen van de gebruiker tot gevolg hebben. De fabrikant is niet aansprakelijk voor dergelijke schade.

De snijmessen vervangen (Afb. F)



Voor u werk aan de machine uitvoert, moet u de stekker uit het stopcontact trekken.



Draag beschermende handschoenen wanneer u de snijmessen vervangt. Gevaar voor persoonlijk letsel wanneer u het snijmes aanraakt.



Gebruik alleen messen die door de fabrikant worden aanbevolen.



Vervang voor uw veiligheid versleten of beschadigde onderdelen. Gebruik alleen oorspronkelijke vervangende onderdelen en accessoires.

1. U kunt de behuizing (7) openen door de knop (11) geheel naar links te draaien.
2. De machine is voorzien van twee snijmessen (16) die kunnen worden vervangen. Draai de twee bouten per snijmes los met de zeskantsleutel (22) en dan kunt u het snijmes uitnemen.
3. Plaats het nieuwe snijmes en zet de twee bouten vast.
4. Sluit het bovenste deel en draai de knop (11) geheel naar rechts.

MILIEU



Defecte en/of afgedankte elektrische of elektronische gereedschappen dienen ter verwerking te worden aangeboden aan een daarvoor verantwoordelijke instantie.

Uitsluitend voor EG-landen

Werp elektrisch gereedschap niet weg bij het huisvuil. Conform de Europese Richtlijn 2012/19/EG voor Afgedankte Elektrische en Elektronische Apparatuur en de implementatie ervan in nationaal recht moet niet langer te gebruiken elektrisch gereedschap gescheiden worden verzameld en op een milieuvriendelijke wijze worden verwerkt.

GARANTIE

VONROC producten zijn ontworpen volgens de hoogste kwaliteitsstandaarden en gegarandeerd vrij van defecten, zowel materieel als fabrieksfouten, tijdens de wettelijk vastgestelde garantieperiode vanaf de eerste aankoopdatum. Mocht het product tijdens deze periode gebreken vertonen veroorzaakt door defecte materialen en/of fabrieksfouten, neem dan rechtstreeks contact op met VONROC.

De volgende situaties vallen niet onder de garantie:

- Er zijn reparaties of aanpassingen aan de machine uitgevoerd, of er is een poging daartoe ondernomen, door een niet-geautoriseerd servicecentrum.
- Normale slijtage.
- De machine is misbruikt, verkeerd gebruikt of slecht onderhouden.
- Er zijn niet-originele reserveonderdelen gebruikt.

Dit vormt de enige garantie opgesteld door het bedrijf zowel expliciet als impliciet. Er bestaan geen andere garanties expliciet of impliciet welke verder gaan dan deze garantie, inclusief impliciete garanties van verkoopbaarheid en geschiktheid voor bepaalde doeleinden. In geen enkel geval kan VONROC aansprakelijk worden gesteld voor incidentele schade of gevolgschade. Reparaties van dealers zijn gelimiteerd tot de reparatie of vervanging van defecte producten of onderdelen.

Het product en de gebruikershandleiding zijn onderhevig aan wijzigingen. Specificaties kunnen zonder opgaaft van redenen worden gewijzigd.

1. CONSIGNES DE SÉCURITÉ

En plus des avertissements de sécurité suivants, veuillez également lire les avertissements de sécurité additionnels ainsi que les instructions. Le non-respect des avertissements de sécurité et des instructions peut entraîner une décharge électrique, un incendie et/ou des blessures graves. Veuillez conserver les avertissements de sécurité et les instructions pour consultation ultérieure.

Les symboles suivants sont utilisés dans le manuel d'utilisation ou apposés sur le produit:



Lisez le manuel d'utilisation!



Risque de blessures.



Dangers, avertissements ou précautions indiqués.



Veillez à porter des équipements de protection oculaire et auditive.



Éteignez la machine et débranchez la prise du secteur avant de procéder à toute opération de réglage et de nettoyage ou si le cordon est emmêlé ou endommagé.



Veillez à ce que personne à proximité ne soit blessé par la projection de corps étrangers provenant de la machine. Avertissement: Veillez à conserver une certaine distance de sécurité quand vous utilisez la machine.



Danger: Lames en rotation. Gardez vos mains et vos pieds loin des ouvertures lorsque la machine est en marche.



Attendez que tous les composants de la machine se soient complètement arrêtés avant de les toucher.



N'utilisez pas la machine comme escabeau.



N'exposez pas la machine à la pluie.



Le niveau de puissance sonore garanti
LWA= 106 dB(A)



Ne jetez pas le produit dans des conteneurs
qui ne sont pas prévus à cet effet.



Le produit est conforme aux normes de
sécurité des directives européennes en
vigueur.

CONSIGNES GÉNÉRALES DE SÉCURITÉ



AVERTISSEMENT! Veuillez lire l'intégralité des avertissements de sécurité et des instructions. Le nonrespect de toutes les instructions indiquées cidessous peut entraîner un risque de choc électrique, d'incendie et/ou de blessures graves.

Conservez ces instructions.

Le terme "appareil électrique" mentionné dans tous les avertissements cidessous se rapporte à un appareil électrique qui se branche au réseau électrique (grâce à un câble d'alimentation) ou à un appareil électrique (sans fil) fonctionnant grâce à une batterie.

1) Espace de travail

- a) **Veillez toujours à garder votre espace de travail propre et bien éclairé.** Les espaces mal rangés et sombres peuvent être la cause d'accidents.
- b) **N'utilisez pas les appareils électriques dans des environnements susceptibles d'explosion, par exemple en présence de liquides inflammables, de gaz ou de particules.** Les appareils électriques provoquent des étincelles qui peuvent enflammer les particules des émanations.
- c) **Veillez à garder éloignés les enfants et les personnes se trouvant dans votre voisinage, lors de l'utilisation d'un appareil électrique.** Les distractions peuvent vous faire perdre le contrôle de l'appareil.

2) Mesures de sécurité électriques

- a) **Les prises des appareils électriques doivent être raccordées à la prise murale correspondante. Ne modifiez jamais la prise de l'appareil, de quelque façon que ce soit. N'utilisez pas d'adaptateurs qui mettent les appareils électriques à la terre (mise à la masse).** Des prises non modifiées et branchées à la prise murale correspondante réduiront les risques de choc électrique.

- b) **Évitez le contact direct avec les surfaces mises à la terre ou mises à la masse comme les canalisations, les radiateurs, les cuisinières et les réfrigérateurs.** En effet, le risque de choc électrique s'accroit si votre corps est mis à la terre ou à la masse.
- c) **N'utilisez pas d'outils électriques dans des environnements pluvieux ou humides.** Si de l'eau s'introduit dans un appareil électrique, le risque de choc électrique augmentera.
- d) **N'utilisez pas le câble de manière abusive. N'utilisez jamais le câble pour transporter, tirer ou débrancher l'appareil électrique. Veillez à garder le câble éloigné des sources de chaleur, des huiles, des rebords coupants ou des pièces actionnées.** Les câbles endommagés ou entremêlés augmentent le risque de choc électrique.
- e) **Lorsque un appareil est utilisé à l'extérieur, utilisez uniquement un câble prolongateur prévu à cet effet.** L'utilisation d'un câble à usage extérieur réduit le risque de choc électrique.
- f) **Si vous êtes contraint d'utiliser un outil électrique dans un environnement humide, utilisez une alimentation protégée par un dispositif à courant résiduel (RCD).** L'utilisation d'un RCD réduit le risque de décharge électrique.

3) Sécurité personnelle

- a) **Restez vigilant, gardez un œil sur ce que vous faites et utilisez votre sens commun lors de l'utilisation d'un appareil électrique. N'utilisez pas un appareil électrique si vous êtes fatigué ou si vous êtes sous l'influence de drogues, d'alcool ou si vous prenez des médicaments.** Un moment d'inattention lors de l'utilisation des appareils électriques peut entraîner des blessures graves.
- b) **Utilisez un équipement de protection personnelle. Protégez-vous toujours les yeux.** Les équipements de protection, tels qu'un masque à poussière, des chaussures antidérapantes, des protections auditives ou un casque de sécurité, utilisés dans de bonnes conditions, réduiront le risque de blessures.
- c) **Prévenez tout démarrage involontaire. Assurez-vous que l'interrupteur est sur la position "arrêt avant de brancher l'appareil.** En effet, le transport des appareils électriques en gardant vos doigts sur l'interrupteur, ou le branchement de ces appareils en ayant l'interrupteur sur "marche accidents.

- d) **Retirez les clés de réglage ou les clés de vis de réglage avant d'allumer l'appareil électrique.**
Une clé de vis de réglage ou une clé, laissée sur une pièce en mouvement de l'appareil électrique, peut entraîner des lésions corporelles.
- e) **Ne pas se précipiter. Gardez toujours vos pieds à plat et gardez votre équilibre.** Ceci permet de mieux contrôler l'appareil électrique dans des situations imprévues.
- f) **Habilitez-vous convenablement. Ne portez pas de vêtements lâches ou de bijoux. Gardez vos cheveux, vêtements et gants éloignés des pièces actionnées.** En effet, ces derniers peuvent être pris dans les pièces en action.
- g) **Si les appareils sont fournis pour la connexion des équipements d'évacuation et de récupération de la poussière, assurez-vous que ces derniers soient correctement connectés et utilisés.** L'utilisation de ces appareils peut réduire les risques liés à la poussière.
- h) **Ne pensez pas être familiarisé avec l'outil après l'avoir utilisé à de nombreuses reprises, au point de ne plus rester vigilant et d'en oublier les consignes de sécurité.** Toute action imprudente peut engendrer de graves blessures en une fraction de seconde.
- 4) Utilisation et entretien d'un appareil électrique**
- a) **Ne forcez pas l'appareil électrique. Utilisez l'appareil électrique adéquat pour votre application.** Un appareil électrique correctement choisi assurera un meilleur travail et un travail sans danger, au rythme auquel il a été conçu.
- b) **N'utilisez pas l'appareil électrique si l'interrupteur marche/arrêt ne fonctionne pas.** Un appareil électrique qui ne peut pas être commandé par l'interrupteur de contrôle est dangereux et doit être réparé.
- c) **Débranchez la prise du bloc d'alimentation avant d'effectuer des réglages, de changer des accessoires, ou de ranger les appareils électriques.** Ces mesures de sécurité préventives réduiront le risque de démarrage involontaire de l'appareil électrique.
- d) **Rangez les appareils électriques arrêtés hors de la portée des enfants et ne laissez aucune personne, non familiarisée avec l'outil ou ces instructions, utiliser l'appareil électrique.** Les appareils électriques sont dangereux entre les mains d'utilisateurs non formés.
- e) **Entretenez les appareils électriques. Vérifiez tout défaut d'alignement et l'enchaînement des pièces actionnées, la rupture de ces dernières, et les autres conditions qui peuvent affecter le fonctionnement des appareils électriques. En cas de dommages, faites réparer l'appareil électrique avant de le réutiliser.** Nombreux sont les accidents provoqués par des appareils électriques mal entretenus.
- f) **Veillez à garder les outils coupants aiguisés et propres.** Des outils coupants correctement entretenus avec des lames aiguisées sont moins susceptibles de se bloquer et sont plus faciles à contrôler.
- g) **Utilisez l'appareil électrique, les accessoires et les embouts, etc., conformément à ces instructions et de la manière prévue pour le type spécifique de l'appareil électrique, en prenant en compte les conditions de travail et le travail à effectuer.** L'utilisation de l'appareil électrique dans des applications différentes de celles prévues peut entraîner des situations dangereuses.
- h) **Gardez les poignées et les surfaces de préhension sèches, propres et exemptes d'huile et de graisse.** Des poignées et des surfaces de préhension glissantes ne permettent pas de manipuler et de contrôler l'outil correctement en cas de situations inattendues.
- h) **Gardez les poignées et les surfaces de préhension sèches, propres et exemptes d'huile et de graisse.** Des poignées et des surfaces de préhension glissantes ne permettent pas de manipuler et de contrôler l'outil correctement en cas de situations inattendues.
- 5) Utiliser et soigner les outils à batterie**
- a) **Rechargez la batterie uniquement avec le chargeur spécifié par le fabricant.** Un chargeur adapté à une certaine batterie peut être cause de danger d'incendie quand on l'utilise avec une batterie différente.
- b) **Utilisez chaque outil uniquement avec la batterie conçue pour lui.** L'utilisation de toute autre batterie peut être cause de danger de blessure ou d'incendie.
- c) **Lorsque une batterie n'est pas en usage, gardez-la hors d'atteinte d'objets métalliques tels que les trombones, pièces de monnaie, clés, clous, vis et autres petits objets métalliques pouvant faire le contact entre une borne et l'autre.** Un

court-circuit entre les bornes de la batterie peut être cause de brûlures ou d'incendie.

- d) **Dans des circonstances extrêmes, du liquide peut gicler hors de la batterie ; évitez tout contact. En cas de contact accidentel, rincez à l'eau. En cas de contact du liquide avec les yeux, consultez un médecin.** Le liquide qui gicle d'une batterie peut causer irritations ou brûlures.
- e) **N'utilisez pas un bloc-batterie ou un outil endommagé ou modifié.** Une batterie endommagée ou altérée peut avoir un comportement imprévisible qui peut conduire à un incendie, une explosion ou un risque de blessure.
- f) **N'exposez pas le bloc-batterie ou l'outil au feu ou à des températures excessives.** L'exposition au feu ou à des températures dépassant 130 °C peut provoquer une explosion. REMARQUE La température de "130°C" peut être remplacé par la température de "265°F".
- g) **Respectez les instructions pour la charge et ne rechargez pas le bloc-batterie ou l'outil à une plage de températures hors de celle spécifiée dans les instructions.** Une charge mal effectuée ou à des températures hors de la plage spécifiée peut endommager la batterie et augmente le risque d'incendie.

6) Maintenance

- a) **L'entretien de votre outil électrique doit être confié à un réparateur qualifié qui utilise uniquement des pièces de rechange identiques aux pièces d'origine.** Cela permet d'assurer la sécurité de l'outil électrique.
- b) **Ne réparez jamais des blocs-batteries endommagés.** Les réparations sur les blocs-batteries ne doivent être effectuées que par le fabricant ou l'un de ses prestataires de services agréés.

CONSIGNES DE SÉCURITÉ SUPPLÉMENTAIRES RELATIVES POUR LES BROYEURS

- Veillez à n'utiliser cette broyeuse que si un dispositif différentiel à courant résiduel (DDR) dont l'intensité de déclenchement ne dépasse pas 30 mA est installé sur le circuit électrique.
- Si vous utilisez une rallonge, veillez à ce qu'elle soit homologuée pour une utilisation à l'extérieur et qu'elle soit marquée en conséquence. La rallonge recommandée est une rallonge de type H05VV-F ou H05RN-F, d'au moins 1,5 mm² de section et de 10 mètres de long maximum.

- Déroulez complètement la rallonge électrique avant l'utilisation afin d'éviter la surchauffe et la perte de performances de la broyeuse. Pour ranger le câble, veillez à l'enrouler avec soin sans l'entortiller.
- Cet appareil n'est pas prévu pour être utilisé par des personnes (y compris des enfants) ayant des capacités physiques, sensorielles ou intellectuelles réduites ou qui manquent d'expérience et de connaissances, à moins qu'elles ne soient supervisées ou formées à l'utilisation de l'appareil par une personne responsable de leur sécurité. Les enfants doivent être surveillés afin de garantir qu'ils ne jouent pas avec l'appareil.



AVERTISSEMENT: Après l'arrêt de la machine, la lame de coupe continue à tourner pendant quelques secondes.

- Veillez à régulièrement contrôler l'état de lame de coupe. Si la lame est endommagée, elle doit immédiatement être remplacée. Respectez toutes les précautions requises pour remplacer la lame.
- Avant utilisation contrôlez l'absence de signes d'endommagement ou d'usure sur le câble d'alimentation et la rallonge. Si le cordon est endommagé pendant l'utilisation, débranchez-le immédiatement de l'alimentation électrique.
- **NE TOUCHEZ PAS LE CÂBLE AVANT DE L'AVOIR DÉBRANCHÉ DE L'ALIMENTATION ÉLECTRIQUE.**
- Veillez à ne jamais brancher un cordon d'alimentation endommagé à l'alimentation électrique et à ne jamais toucher un cordon endommagé avant de l'avoir débranché de l'alimentation électrique. Un cordon endommagé peut causer un contact avec des parties sous tension.
- N'utilisez jamais la broyeuse si le cordon est endommagé ou usé.
- Veillez à soigneusement lire les instructions. Familiarisez-vous avec les commandes et la bonne utilisation de l'équipement. Évitez d'utiliser la machine si les conditions météorologiques sont mauvaises et tout particulièrement lorsqu'il y a un risque de foudre. Veillez à toujours porter des chaussures solides et un pantalon à jambes longues pour utiliser la machine.
- Veillez à maintenir les enfants et les animaux domestiques à l'écart de la zone de travail et ne laissez jamais les enfants utiliser cet appareil

ou toucher le câble ou la rallonge électrique. Lorsqu'il n'est pas utilisé, rangez cet appareil dans un endroit sûr, hors de portée des enfants.



AVERTISSEMENT: Afin de réduire les risques, débranchez la prise du secteur et veillez à n'utiliser que des accessoires recommandés de la façon exigée, afin d'éviter les blessures.

- Veillez à toujours porter des lunettes de protection et des protections auditives lorsque vous utilisez la machine.
- Portez une protection contre la poussière si le broyage peut occasionner le soulèvement de poussières ou de particules.
- Veillez à vous habiller judicieusement pour le travail à réaliser. Ne portez pas de vêtements amples qui pourraient être happés par les pièces mobiles de l'appareil.
- Attachez vos cheveux et portez un casque de protection.
- Veillez à n'utiliser la machine que dans des espaces dégagés (loin des murs ou d'autres objets fixes) et sur une surface ferme et de niveau.
- Ne faites pas fonctionner la machine sur des pavés ou une surface gravillonnée où des projections pourraient occasionner des blessures.
- Inspectez soigneusement la broyeuse pour contrôler l'absence de pièces desserrées ou endommagées avant chaque utilisation. Veillez à ne jamais utiliser l'appareil avant d'avoir effectué tous les réglages et toutes les réparations nécessaires.
- Veillez à remplacer toutes les étiquettes abîmées ou devenues illisibles.
- Veillez à n'utiliser que des rallonges étanches, homologuées pour l'extérieur et complètement déroulées.
- Cet appareil est exclusivement destiné à un usage à l'extérieur.
- N'exposez pas cet appareil à la pluie.
- N'utilisez cette broyeuse que de jour ou avec un bon éclairage artificiel.
- Ne laissez jamais l'appareil sans surveillance.
- N'utilisez pas l'appareil dans une zone où il pourrait occasionner une explosion ou un incendie. Éloignez-le des liquides et des gaz inflammables.
- Protection contre les décharges électriques. Dans la zone de travail, évitez tout contact avec des surfaces reliées à la terre, portails métalliques, poteaux ou autres objets métalliques.
- Ne tirez jamais l'appareil par son cordon électrique. Faites-le rouler ou portez-le à deux mains.
- Ne laissez pas le cordon électrique courir au-dessus d'objets tranchants qui pourraient endommager la gaine isolante. Procédez à l'inspection visuelle du cordon électrique avant chaque utilisation et, s'il est endommagé, faites-le remplacer dans un centre d'assistance spécialisé. N'utilisez pas l'appareil si son cordon est endommagé.
- Gardez le cordon électrique à l'écart de la chaleur, du gel, de graisse, de solvants et de tout autre objet ou bord tranchants.
- N'utilisez pas cet appareil si vous ne vous sentez pas bien, si vous êtes sous traitement médicamenteux lourd ou si vous avez consommé de l'alcool.
- Ne tentez jamais de passer vos mains dans la trémie de l'avaloir. Si vous souhaitez pousser les matériaux dans la chambre de broyage, utilisez un bâton.
- Avant de démarrer la machine, vérifiez que la chambre de broyage est vide en regardant à l'intérieur.
- Gardez votre visage et votre corps loin de l'avaloir.
- Ne laissez ni vos mains, ni une autre partie de votre corps, ni vos vêtements, pénétrer dans l'avaloir, la descente d'évacuation ou près des pièces mobiles.
- Gardez les pieds bien ancrés au sol et conservez votre équilibre en permanence. Ne vous penchez pas. Ne vous tenez jamais plus haut que la base de la machine quand vous insérez les matériaux à l'intérieur.
- Tenez-vous toujours loin de la zone d'évacuation quand vous utilisez cette machine.
- En insérant les matériaux dans la machine, soyez extrêmement prudent et veillez à ce qu'ils ne contiennent aucun bout de métal, caillou, bouteille, canette ou tout autre corps étranger.
- Si le mécanisme de broyage rencontre un quelconque corps étranger ou si la machine se met à vibrer ou à faire un bruit inhabituel, coupez l'alimentation et attendez que la machine s'arrête (débranchez l'appareil de l'alimentation électrique):
 - *Contrôlez l'absence de dommages*
 - *Contrôlez le bon serrage de toutes les pièces*
 - *Faites réparer ou remplacer toutes les pié-*

ces dommages et veillez à n'utiliser que des pièces détachées et des accessoires recommandés par le fabricant.

- Ne laissez pas les matériaux broyés s'accumuler dans la zone d'évacuation. Cela pourrait sinon empêcher la bonne évacuation et provoquer le retour des matériaux par l'ouverture d'insertion.
- Si la machine est bouchée, coupez l'alimentation (débranchez l'appareil de l'alimentation électrique) avant de retirer les débris. Veillez à ce que la source d'alimentation électrique reste exempte de débris et d'autres dépôts afin d'éviter son endommagement ou la formation d'un incendie. Gardez en tête que l'actionnement du mécanisme de démarrage sur les machines à moteur à toujours pour conséquence le mouvement des moyens de coupe.
- Veillez à toujours garder en place et en bon état les carters de protection et les déflecteurs.
- Veillez à ne jamais modifier les réglages du régulateur de l'alimentation ; le régulateur permet de réguler la vitesse de service maximale et il protège la source d'alimentation et toutes les pièces mobiles contre les dommages que pourraient occasionner un sursrégime. En cas de problème, faites appel à un prestataire agréé.
- Ne transportez jamais cette machine tant qu'elle est alimentée électriquement.
- Coupez l'alimentation électrique et débranchez la machine dès que vous quittez la zone de travail.
- N'inclinez pas la machine tant qu'elle est alimentée électriquement.
- Votre broyeuse doit être installée sur un sol ferme et de niveau.
- Ne couchez jamais la broyeuse sur le dos, l'avant ou le côté. Veillez à toujours la garder posée à l'endroit.
- Ne surchargez pas la broyeuse. Remplissez-la lentement et laissez-la travailler à sa propre cadence.
- Avant de démarrer la machine, veillez à ce que 'avoir soit bien vide. Ne démarrez jamais la machine si des matériaux se trouvent à l'intérieur.
- Sauf urgence, n'éteignez pas la broyeuse avant qu'elle soit vide de tout matériau.
- Retirez les pierres et tous les autres objets durs des racines avant d'entamer le broyage.
- Tenez fermement les gros rameaux et les branches fines en les insérant dans la broyeuse.
- Veillez à ce que l'ouverture d'évacuation ne soit jamais couverte ou bouchée.

Sécurité électrique



Vérifiez si la tension d'alimentation électrique correspond bien à celle de la plaque signalétique.

- N'utilisez pas la machine si le câble secteur ou la fiche secteur est endommagé.
- Utilisez uniquement des rallonges adaptées à la puissance nominale de la machine et d'une section minimum de 1.5 mm². Si vous utilisez une bobine de rallonge, déroulez toujours complètement le câble.

2. INFORMATIONS RELATIVES À LA MACHINE

Utilisation prévue

Cette broyeuse a été conçue pour broyer des branches, les rameaux et les autres déchets de taille. Ces éléments peuvent ainsi facilement être transformés en copeaux de bois avant d'être réutilisés. La broyeuse est destinée à servir dans des jardins privés de petite taille ou de taille moyenne, et en aucun cas pour un usage intensif.

SPÉCIFICATIONS TECHNIQUES

N° de modèle	GS502AC
Tension	230-240 V~
Fréquence	50 Hz
Puissance	2500 W (P40)*
Régime à vide	4200/min.
Diamètre de coupe maxi	45 mm**
Capacité du sac de récupération	45 L
Poids	10.3 kg
Niveau de protection	IPX4
Type de protection	Classe II
Puissance sonore (Lwa)	106 dB***

* Le mode de fonctionnement P40 40% indique un profil de 40 secondes de charge pour 60 secondes de fonctionnement à vide. Le fonctionnement de longue durée est admis pour des raisons de commodité.

** En fonction de la dureté du bois.

*** Valeurs mesurées conformément aux normes 2000/14/CE et 2005/88/CE (1,60 m de hauteur, 1 m de distance) tolérance de la mesure +/- 3 dB.

DESCRIPTION

Les numéros dans le texte se rapportent aux schémas des pages 2-3.

1. Trémie de l'avaloir
2. Partie inférieure du corps
3. Roue
4. Patin
5. Cadre
6. Sac de récupération
7. Partie supérieure du corps
8. Bâton poussoir
9. Réinitialisation Protection Surcharge
10. Interrupteur Marche/Arrêt
11. Bouton
12. Traverse
13. Enjoliveur
14. Bloc de protection de la lame
15. Lame
16. Boulons de la lame
17. Boulons du cadre
18. Entretoise
19. Bague axe
20. Écrou de roue
21. Clé pour écrou
22. Clé à six pans

3. MONTAGE



Avant le montage, mettez toujours la machine hors tension et débranchez la fiche de la prise secteur.

Assembler les roues et le cadre (Fig. G et H)

1. Poussez la traverse (12) à travers les deux trous au bas du cadre (5).
2. Installez, de chaque côté de la traverse (12), une entretoise (18), une bague (19) et une roue (3). Fixez ensuite avec un écrou (20).
3. Installez l'enjoliveur (13) sur la roue (3).
4. Posez la broyeuse à l'envers (sur la trémie de l'avaloir) et installez le cadre (5) sur la partie inférieure du corps (2) à l'aide des 4 boulons du cadre (16) et fixez à l'aide de la clé pour écrou (21).

4. OPERATION



Avant l'utilisation, toujours effectuer une inspection visuelle pour vérifier que les lames, les boulons de lame et l'assemblage de coupe ne sont pas usés ni endommagés. Veiller à tenir l'appareil hors tension et à débrancher l'alimentation. Remplacer les lames et boulons usés ou endommagés en bloc pour maintenir l'équilibre.



Si la machine se met à vibrer anormalement (contrôlez immédiatement):

- Contrôlez l'absence de dommages,
- Faites remplacer ou réparer les pièces endommagées,
- Contrôlez le serrage de toutes les pièces.



Éteignez immédiatement la machine:

- Quand vous quittez la machine,
- Avant de supprimer un bourrage dans la chute,
- Avant toute opération de vérification, de nettoyage et avant d'intervenir d'une quelconque façon sur la machine,
- Après avoir heurté un corps étranger. Contrôlez l'absence de dommage sur la machine et faites effectuer les réparations avant de redémarrer et de réutiliser la machine.



Veillez à toujours poser la machine sur une surface ferme et régulière. N'inclinez et ne déplacez jamais la machine quand le moteur tourne.

Mettre en marche et éteindre la machine



Ne tentez jamais de passer vos mains dans la trémie de l'avaloir (1). Si vous souhaitez pousser les matériaux dans la chambre de broyage, utilisez le bâton (8).

- Avant de démarrer la machine, fixez le sac de récupération (6) sur les deux crochets au bas de la caisse.
- Pour mettre la machine en marche, appuyez sur l'interrupteur de démarrage (10). Pour des raisons de sécurité, la broyeuse ne démarre pas tant que le bouton de sécurité de la trémie n'est pas complètement serré.
- Pour éteindre la machine, relâchez l'interrupteur d'arrêt (10).

Instructions liées à l'intervention

- Les branches et les déchets de taille sont plus ou moins durs à broyer en fonction du type, de l'âge et du niveau de sécheresse du bois. Le broyage de déchets frais, souples et secs donnent de meilleurs résultats.
- La capacité de la broyeuse à broyer des déchets très verts contenant beaucoup de sève (fruits à pépins, déchets humides) est limitée. Ce type de matériaux doit être directement composté.
- N'appliquez qu'une légère pression lorsque vous broyez de grosses branches, afin de ne pas boucher la broyeuse.
- Laissez toujours refroidir la machine avant de la ranger.



Pour des raisons de sécurité, veillez à remplacer toutes les pièces usées ou endommagées. Veillez à n'utiliser que des des pièces détachées et des accessoires d'origine.

Protection Anti-démarrage

Cette protection empêche le redémarrage accidentel de la machine après une coupure de courant. La machine doit être rallumée une fois le courant revenu.

Protection contre les surcharges

En cas de surcharge de la machine (ex : si le cylindre de coupe est bloqué), elle s'arrête après quelques secondes. Éteignez la machine et débranchez-la. Enfoncez le bouton de réinitialisation de la protection contre les surcharges (9) puis redémarrez la machine pour pouvoir la réutiliser.

Blocages

Si la machine se bouche, éteignez-la et débranchez la prise de la prise de courant. Tournez le bouton sur la partie supérieure du corps (11) dans le sens inverse des aiguilles d'une montre pour libérer la partie supérieure. Relevez-la et éloignez-la de vous pour pouvoir voir l'intérieur de la broyeuse. Supprimez tout ce qui fait obstacle, (soyez prudent, ne touchez pas les lames), réinstallez la partie supérieure du corps et refixez-la en tournant le bouton (11) complètement dans le sens des aiguilles d'une montre.

5. ENTRETIEN



Veillez à ce que la machine ne soit pas branchée au réseau électrique si vous devez procéder à la maintenance du mécanisme.

Cet broyeur a été conçu pour fonctionner longtemps avec un entretien minimal. Le fonctionnement satisfaisant continu dépend d'un entretien correct de la machine et d'un nettoyage régulier.

- Veillez à garder la broyeuse propre et sèche.
- Pour nettoyer la broyeuse, veillez à n'utiliser que du savon doux et un chiffon humide. Ne laissez jamais aucun liquide pénétrer l'intérieur de l'outil et n'immergez jamais aucune de ses pièces dans aucun liquide. N'utilisez pas de détergents abrasifs ou à base de solvants.
- Pour procéder à la maintenance de la broyeuse, gardez en tête que même si la source d'alimentation est coupée, la fonction Verrouillage du dispositif de sécurité permet toujours de déplacer la broyeuse.
- Après chaque période de travail, nettoyez la machine à fond pour en supprimer toute trace de poussière et de débris et réparez ou remplacez toutes les pièces défectueuses.
- Veillez à toujours garder l'équipement propre, et notamment les grilles d'aération.
- Ne pulvérisez jamais d'eau sur le corps de l'équipement !
- Tous les écrous, boulons et vis doivent rester correctement serrés pour que l'appareil fonctionne de façon sûre ;
- Les réparations et les travaux spécifiés dans cette notice ne doivent être effectués que par du personnel qualifié et agréé.
- Veillez à n'utiliser que des accessoires et des pièces détachées d'origine. Les composants pour lesquels aucune instruction de remplacement n'est spécifiée ne peuvent être remplacés que par le fabricant. L'utilisation de pièces détachées non d'origine peut occasionner des accidents/blessures. Le fabricant décline toute responsabilité en cas de tels dommages.

Remplacer les lames (Fig. F)



Avant de procéder à une opération quelle qu'elle soit sur la machine, débranchez la prise électrique de la source d'alimentation.



Portez des gants de protection pour remplacer les lames. Risque de blessure en cas de contact avec la lame.



N'utilisez que des lames recommandées par le fabricant.



Pour des raisons de sécurité, veillez à remplacer toutes les pièces usées ou endommagées. N'utilisez que des pièces détachées et des accessoires d'origine.

1. Tournez le bouton (11) complètement dans le sens inverse des aiguilles d'une montre pour ouvrir le haut de la caisse (7).
2. La machine intègre deux lames (16) qui peuvent être remplacées. Desserrez les deux boulons de chaque lame à l'aide de la clé à six pans (22) pour pouvoir retirer les lames.
3. Insérez les lames neuves et serrez les deux boulons.
4. Refermez la partie supérieure du corps et tournez le bouton (11) complètement dans le sens des aiguilles d'une montre.

ENVIRONNEMENT



Les équipements électroniques ou électriques défectueux ou destinés à être mis au rebut doivent être déposés aux points de recyclage appropriés.

Uniquement pour les pays de l'UE

Ne jetez pas les outils électriques avec les déchets domestiques. Selon la Directive européenne 2012/19/CE relative aux déchets d'équipements électriques et électroniques et sa mise en oeuvre dans le droit national, les outils électriques hors d'usage doivent être collectés séparément et mis au rebut de manière écologique.

GARANTIE

Les produits VONROC sont développés aux plus hauts standards de qualité et ils sont garantis contre les défauts de pièces et de main d'oeuvre pendant la durée légale stipulée à partir de la date d'achat d'origine du produit. En cas d'une quelconque panne du produit pendant cette durée qui serait due à un défaut matériel et/ou de main d'oeuvre, contactez directement VONROC.

Les circonstances suivantes ne sont pas prises en charge par la garantie:

- Des réparations ou altérations ont été effectuées ou tentées sur la machine par un centre de réparation non agréé.
- L'usure normale.
- L'outil a été maltraité, mal utilisé ou mal entretenu.
- Des pièces détachées non d'origine ont été utilisées.

Ceci constitue l'unique garantie accordée par la société explicitement ou implicitement. Il n'existe aucune autre garantie, explicite ou implicite, qui peut s'étendre au delà du contenu ici présent, y compris les garanties marchandes ou d'adaptation à des fins particulières. En aucun cas VONROC ne sera tenu responsable de dommages accidentels ou consécutifs. Les solutions proposées par les revendeurs devront se limiter à la réparation ou le remplacement des éléments ou pièces non conformes.

Le produit et le manuel d'utilisation sont sujets à modifications. Les spécifications peuvent changer sans préavis.

1. INSTRUCCIONES DE SEGURIDAD

Lea las advertencias de seguridad, las advertencias de seguridad adicionales y las instrucciones adjuntas. De no respetarse las advertencias de seguridad y las instrucciones, podrían producirse descargas eléctricas, incendios y/o lesiones graves. Conserve las advertencias de seguridad y las instrucciones para su posterior consulta.

Los siguientes símbolos se utilizan en el manual de usuario o en el producto:



Lea el manual de usuario!



Riesgo de lesiones personales.



Indicación de peligro, advertencia o precaución.



Use protección ocular y auditiva.



Apague y desenchufe el aparato de la red eléctrica antes de ajustarlo o limpiarlo o si el cable está enredado o dañado.



Tenga cuidado de que las personas que pasen por la zona de trabajo no resulten lesionadas por objetos extraños lanzados por la máquina. Advertencia: Manténgase a una distancia segura de la máquina cuando la utilice.



Peligro: Cuchillas giratorias. Mantenga las manos y los pies alejados de las aberturas mientras la máquina está en funcionamiento.



Espere a que todos los componentes de la máquina se detengan por completo antes de tocarlos.



No utilizar como escalón.



No exponer a la lluvia.



*Nivel de potencia sonora garantizado
LWA = 106 dB(A)*



No tire el producto en contenedores no apropiados.



El producto es conforme a las normas de seguridad aplicables según las directivas europeas.

INSTRUCCIONES GENERALES DE SEGURIDAD



PRECAUCIÓN! Lea todas las advertencias de seguridad y todas las instrucciones.

Si no lo hace, el uso indebido puede acarrear cortocircuitos, fuego o lesiones graves.

Conserve estas instrucciones.

El término "herramienta eléctrica", en todas las advertencias enumeradas a continuación se refiere a su herramienta eléctrica (i nalámbrica) que funciona con una batería o a través de la red eléctrica.

1) Área de trabajo

- Trabaje en un lugar limpio y bien iluminado.** Lugares no iluminados o sucios propician accidentes.
- No use herramientas eléctricas donde haya riesgo de fuego o explosión, p.ej: cerca de líquidos o gases inflamables, polvo etc.** Las herramientas eléctricas producen chispas que pueden producir la ignición de partículas de humo.
- Mantenga a los niños y otras personas alejados mientras utiliza la herramienta eléctrica.** Las distracciones pueden hacer que pierda el control de la herramienta.

2) Seguridad eléctrica

- Cerciórese de que las clavijas de la herramienta eléctrica están correctamente enchufadas. Nunca modifique la clavija. No utilice ningún adaptador para la clavija de una herramienta eléctrica con conexión a tierra.** Las clavijas que no se hayan cambiado y los enchufes adecuados reducen el riesgo de cortocircuitos.
- Evite el contacto humano con superficies con conexiones a tierra como tubos metálicos, conductos, tubos de la calefacción, radiadores y refrigeradores.** El riesgo de cortocircuitos es mayor cuando el cuerpo está en contacto con el suelo.
- No use herramientas eléctricas bajo la lluvia o en entornos húmedos.** Si entra agua en una herramienta eléctrica aumenta el riesgo de cortocircuito.
- No utilice el cable para todo. Nunca utilice**

- el cable para mover la máquina, empujarla o sacar la clavija del enchufe. Mantenga el cable alejado del calor, aceite, zonas cortantes o piezas en movimiento. Los cables dañados o enredados aumentan el riesgo de cortocircuito.
- e) **Use un cable alargador impermeable adecuado para exteriores cuando trabaje con la herramienta eléctrica al aire libre.** El riesgo de cortocircuito es menor si utiliza un cable alargador adecuado para exteriores.
- f) **Si no se puede evitar el uso de la herramienta eléctrica en un lugar húmedo, use suministro protegido mediante dispositivo diferencial residual (DDR).** El uso de un DDR reduce el riesgo de choque eléctrico.
- h) **No permita que la familiaridad adquirida con el uso frecuente de las herramientas le haga confiarse e ignorar los principios de seguridad de las herramientas.** Una acción descuidada puede causar lesiones graves en una fracción de segundo.
- 3) Seguridad personal**
- a) **No se descuide, preste atención a lo que está haciendo y utilice el sentido común mientras trabaje con esta herramienta. No use herramientas eléctricas cuando esté cansado o esté bajo los efectos del alcohol, las drogas o los medicamentos.** Un momento de distracción, mientras utilice la herramienta eléctrica, puede provocar lesiones personales graves.
- b) **Use equipo de protección individual. Use siempre gafas protectoras.** El uso en condiciones apropiadas del equipo de seguridad como por ejemplo: mascarilla antipolvo, zapatos antideslizantes de seguridad, casco o protección para los oídos, disminuye el riesgo de sufrir lesiones personales.
- c) **Evite arranques involuntarios. Asegúrese de que el interruptor está en la posición de apagado antes de conectarlo a la fuente de electricidad.** Transportar herramientas eléctricas con el dedo puesto sobre el interruptor o enchufarlas con el interruptor encendido puede causar accidentes.
- d) **Quite cualquier llave de ajuste antes de encender la herramienta eléctrica.** Una llave olvidada junto a una pieza móvil de la herramienta eléctrica puede provocar lesiones personales graves.
- e) **No se estire demasiado. Mantenga siempre el equilibrio y tenga los pies en el suelo.** Esto permite un mayor control de la herramienta eléctrica en situaciones inesperadas.
- f) **Vístase apropiadamente. No lleve prendas holgadas o joyas. Mantenga su pelo, ropa y guantes alejados de las piezas móviles.** Las prendas holgadas, las joyas y el pelo largo pueden quedar atrapados en las piezas móviles.
- g) **Si se han suministrado dispositivos para la extracción y recogida de polvo asegúrese de que estos estén conectados y se utilicen correctamente.** El uso de estos dispositivos puede reducir los riesgos relacionados con el polvo.
- h) **Mantenga las asas y las superficies de agarre secas, limpias y libres de aceite y grasa.** Las asas y las superficies de agarre resbaladizas no permiten un manejo y control seguros de la herramienta en situaciones inesperadas.
- 4) Utilización y cuidados de la herramienta eléctrica**
- a) **No fuerce la herramienta eléctrica. Utilice la herramienta eléctrica adecuada para el trabajo que vaya a realizar.** Una herramienta eléctrica apropiada realizará un trabajo mejor y más seguro si se utiliza para el objetivo con el que ha sido diseñada.
- b) **No use herramientas que no pueden encenderse o apagarse con el interruptor.** Las herramientas que ya no se puedan encender y apagar son peligrosas y deben repararse.
- c) **Desenchufe la clavija de la toma de electricidad antes de realizar modificaciones, cambiar accesorios o guardar las herramientas eléctricas.** Tales medidas de seguridad preventivas reducen el riesgo de la puesta en marcha accidental.
- d) **Mantenga a los niños alejados de una herramienta eléctrica sin utilizar y no permita a personas que no estén familiarizadas con la máquina o estas instrucciones utilizar la herramienta.** La herramienta eléctrica puede ser peligrosa cuando la utilicen personas sin experiencia.
- e) **Conserve sus herramientas cuidadosamente. Verifique cualquier desalineación o agrietamiento de piezas móviles, piezas dañadas y cualquier otra causa, que pudiera repercutir en el buen funcionamiento de la herramienta eléctrica. Si la herramienta está estropeada, repárela antes de utilizarla.** Muchos de los accidentes están causados por un mantenimiento insuficiente del equipo eléctrico.
- f) **Mantenga las herramientas de corte limpias y afiladas.** Sierras con esquinas cortantes con un buen mantenimiento se bloquean menos y son más fáciles de controlar.

- g) **Utilice la herramienta eléctrica, accesorios y brocas etc. Siguiendo las instrucciones atendiendo al tipo de herramienta eléctrica y tenga en cuenta las condiciones de trabajo y el tipo de trabajo que se va a realizar.** Puede ser peligroso realizar trabajos con la herramienta diferentes de aquellos para los que está diseñada.
- 5) Uso y cuidado de las herramientas alimentadas por batería**
- a) **Recargue las baterías únicamente con el cargador recomendado por el fabricante.** Un cargador que es apto para un tipo de baterías determinado puede provocar riesgo de incendio si se usa para cargar otra clase de baterías.
- b) **Use las herramientas eléctricas sólo con las baterías indicadas específicamente.** El uso de otra clase de baterías diferente puede ocasionar el riesgo de derivar en lesiones o un incendio.
- c) **Cuando el paquete de baterías no esté en uso, consérvelo retirado de objetos metálicos como sujetapapeles, monedas, llaves, clavos, tornillos o cualquier otro objeto metálico pequeño que pueda hacer puente entre las terminales.** El contacto entre las terminales de la batería puede causar quemaduras o incendio.
- d) **Bajo condiciones extremas de abuso la batería podría expulsar un líquido; evite todo contacto. Si se produjese contacto accidentalmente, lávese bien con agua. Si el líquido hace contacto con los ojos, consulte también al médico.** El líquido emanado de la batería puede causar irritaciones o quemaduras.
- e) **No utilice una batería o una herramienta que esté dañada o modificada.** Las baterías dañadas o modificadas pueden presentar un comportamiento impredecible y provocar un incendio, una explosión o riesgo de lesiones.
- f) **No exponga una batería o una herramienta al fuego o a temperatura excesiva.** La exposición al fuego o a temperaturas superiores a 130 °C puede provocar una explosión. **NOTA** La temperatura "130 °C" puede sustituirse por la temperatura "265 °F".
- g) **Siga todas las instrucciones de carga y no cargue la batería o la herramienta fuera del rango de temperatura especificado en las instrucciones.** La carga incorrecta o a temperaturas fuera del rango especificado puede causar daños a la batería y aumentar el riesgo de incendio.

6) Servicio

- a) **Haga reparar su herramienta eléctrica por una persona cualificada, usando solo piezas de repuesto idénticas.** Esto garantiza que se mantenga la seguridad de la herramienta eléctrica.
- b) **Nunca repare las baterías dañadas.** El mantenimiento de las baterías debe ser realizado solo por el fabricante o los proveedores de servicio autorizados.

INSTRUCCIONES DE SEGURIDAD ADICIONALES PARA TRITURADORA

- Use esta trituradora solo si hay instalado un dispositivo diferencial residual (DDR) con disyuntor de corriente no superior a 30 mA en el circuito.
- Si utiliza un cable prolongador, compruebe que sea para uso en exteriores y que esté marcado como tal. Se recomienda el cable prolongador de tipo H05VV-F o H05RN-F, de tamaño no inferior a 1.5 mm² y de longitud máxima de 10 metros.
- Desenrolle completamente el cable prolongador antes de utilizarlo, para evitar el sobrecalentamiento y la pérdida de eficiencia de la trituradora. Al recoger el cable, enróllelo con cuidado para evitar que se tuerza.
- El aparato no debe ser usado por personas (incluidos niños) con capacidades físicas, sensoriales o mentales limitadas, o que no tengan experiencia o conocimiento, salvo que estén supervisadas o hayan recibido instrucciones sobre el uso del aparato por parte de una persona responsable de su seguridad. Los niños siempre deben estar supervisados para constatar que no jueguen con el aparato.



ADVERTENCIA: Después de apagar la máquina, la cuchilla de corte sigue girando durante unos segundos.

- Inspeccione con frecuencia el estado de las cuchillas de corte. Si la cuchilla está dañada, debe sustituirla inmediatamente. Siga todas las precauciones necesarias cuando sustituya la cuchilla.
- Antes del uso, compruebe que el cable de alimentación y el cable prolongador no presenten indicios de daños o deterioro. Si el cable se daña durante el uso, desconéctelo inmediatamente de la red eléctrica.
- **NO TOQUE EL CABLE ANTES DE DESCONECTAR LA ALIMENTACIÓN.**

- No conecte un cable dañado al suministro de red ni toque un cable dañado antes de desconectarlo del suministro de red. Un cable dañado puede causar el contacto con partes bajo tensión.
- No use la trituradora si tiene el cable dañado o desgastado.
- Lea atentamente las instrucciones. Familiarícese con los mandos y el uso apropiado del equipo. Evite usar la máquina si hay mal tiempo, especialmente en caso de riesgo de rayos. Lleve siempre calzado adecuado y pantalones largos cuando utilice la máquina.
- Mantenga a los niños y a las mascotas alejados del área de trabajo y nunca permita que los niños usen este aparato ni toquen el cable de alimentación ni el cable prolongador. Cuando no use el aparato, guárdelo en un lugar seguro, fuera del alcance de los niños.
- Este aparato ha sido concebido solo para uso en exteriores.
- No exponga este aparato a la lluvia.
- Utilice la trituradora solo con luz diurna o una buena luz artificial.
- No deje nunca el aparato sin vigilancia.
- No utilice el aparato en una zona donde pueda provocar una explosión o un incendio; manténgalo alejado de los líquidos y los gases inflamables.
- Evite las descargas eléctricas; evite el contacto del cuerpo con superficies conectadas a tierra, por ejemplo, puertas metálicas, postes u otros objetos metálicos en la zona de trabajo.
- Nunca tire del aparato por el cable de alimentación. Transpórtelo usando las ruedas o con las dos manos.
- No deje el cable de alimentación apoyado sobre objetos afilados ni deje que atraviese tales objetos pues estos pueden perforar el aislamiento exterior. Realice una inspección visual del cable de alimentación antes de usarlo y, si está dañado, hágalo cambiar en un centro de servicio especializado. No use el aparato si el cable está dañado.



ADVERTENCIA: Para reducir el riesgo, desconecte el enchufe de la fuente de alimentación y utilice únicamente los accesorios recomendados, de lo contrario podrían producirse lesiones personales.

- Utilice protección para los oídos y gafas de seguridad en todo momento cuando utilice la máquina.
- Use protección contra el polvo si durante la trituración se generan polvo o partículas.
- Vístase en modo adecuado para el trabajo que vaya a realizar; no lleve ropa suelta que pueda quedar atrapada en las partes móviles del aparato.
- Recójase el pelo largo para que no moleste y póngase una cuffia protectora.
- Utilice la máquina solo en espacios abiertos (por ejemplo, no cerca de una pared u otro objeto fijo) y sobre una superficie firme y nivelada.
- No utilice la máquina en una superficie pavimentada o de grava donde el material expulsado pueda causar lesiones.
- Antes de cada uso, inspeccione minuciosamente la trituradora para comprobar que no tenga piezas sueltas o dañadas. No use la unidad hasta que se hagan ajustes o reparaciones.
- Sustituya las etiquetas dañadas o ilegibles.
- Utilice únicamente un cable prolongador impermeable, adecuado para su uso en exteriores y que esté totalmente desenrollado.
- Mantenga el cable de alimentación alejado del calor, escarcha, aceite, disolventes o cualquier objeto o borde afilado.
- No use este aparato si usted asume medicamentos fuertes, si no se siente bien o si ha ingerido bebidas alcohólicas.
- Nunca intente poner la mano en la tolva del alimentador. Si desea empujar el material hacia la cámara de corte, utilice el palo de empuje.
- Antes de poner en marcha la máquina, controle la cámara de alimentación para asegurarse de que esté vacía.
- Mantenga la cara y el cuerpo alejados del orificio de entrada de alimentación.
- No permita que las manos o cualquier otra parte del cuerpo o de la ropa entren en la cámara de alimentación o el conducto de descarga o se acerquen a cualquier parte móvil.
- Adopte siempre una posición firme y bien equilibrada. No se estire demasiado. No se coloque nunca a un nivel superior al de la base de la máquina cuando introduzca material en ella.
- Manténgase siempre alejado de la zona de descarga cuando utilice esta máquina.
- Cuando introduzca material en la máquina, tenga especial cuidado de no introducir trozos

de metal, piedras, botellas, latas u otros objetos extraños.

- Si el mecanismo de corte golpea algún objeto extraño o si la máquina empieza a hacer algún ruido o vibración inusual, desconecte la máquina de la fuente de alimentación y deje que se detenga (unidad eléctrica desconectada del suministro):
 - *controle si tiene daños*
 - *compruebe si hay piezas flojas y, en su caso, apriételas*
 - *haga sustituir o reparar las piezas dañadas y utilice únicamente las piezas de repuesto y los accesorios recomendados por el fabricante.*
- No deje que el material procesado se acumule en la zona de descarga; esto puede impedir una descarga adecuada y causar el retroceso del material a través de la abertura de entrada de alimentación.
- Si la máquina se atasca, apague la fuente de alimentación (desconecte la unidad eléctrica del suministro) antes de limpiar los residuos. Mantenga la fuente de alimentación libre de residuos y otras acumulaciones para evitar daños a la propia fuente de alimentación o un posible incendio. Recuerde que el accionamiento del mecanismo de arranque en las máquinas accionadas por motor sigue causando el movimiento de los medios de corte.
- Mantenga todos los protectores y deflectores colocados en su lugar y en buenas condiciones de funcionamiento.
- No manipule los ajustes del regulador de la fuente de alimentación; el regulador controla la velocidad máxima de funcionamiento segura y protege la fuente de alimentación y todas las piezas móviles de los daños causados por el exceso de velocidad. Acuda al servicio técnico autorizado si detecta algún problema.
- No transporte esta máquina con la fuente de alimentación en funcionamiento.
- Apague la fuente de alimentación y desconéctela del suministro cada vez que abandone el área de trabajo.
- No incline la máquina con la fuente de alimentación en funcionamiento.
- La trituradora debe colocarse sobre una superficie firme y nivelada.
- No apoye nunca la trituradora sobre la parte trasera, delantera o los laterales; manténgala siempre en posición vertical.

- No sobrecargue la trituradora, aliméntela lentamente y déjela trabajar a su propio ritmo.
- Antes de comenzar, asegúrese de que la cavidad de entrada esté vacía. No ponga en marcha la trituradora si tiene material en su interior.
- A menos que haya una emergencia, no apague la trituradora hasta que esté completamente vacía de material.
- Retire las piedras y otros objetos duros de las raíces de las plantas antes de triturarlas.
- Sujete firmemente las ramitas grandes o las ramas finas cuando las introduzca en la trituradora.
- No permita que la toma de corriente quede tapada o bloqueada en ningún momento.

Seguridad eléctrica



Compruebe siempre que la tensión del suministro eléctrico corresponda con la tensión de la placa de características.

- No utilice la máquina si el cable o el enchufe eléctrico han sufrido daños.
- Utilice únicamente cables alargadores que sean adecuados para la potencia nominal de la máquina con un grosor mínimo de 1.5 mm². Si utiliza un cable alargador en rollo, desenrolle totalmente el cable.

2. INFORMACIÓN DE LA MÁQUINA

Uso previsto

Esta trituradora ha sido desarrollada para triturar ramas, ramitas y otros restos de poda. Pueden reducirse fácilmente a astillas de madera para su reutilización. La trituradora ha sido concebida para jardines familiares privados de tamaño pequeño o mediano, no ha sido concebida para un uso intensivo.

ESPECIFICACIONES TÉCNICAS

Modelo n.º	GS502AC
Voltaje	230-240 V~
Frecuencia	50 Hz
Potencia	2500 W (P40)*
Velocidad sin carga	4200/min.
Diámetro máx. de corte	45 mm**
Capacidad de la bolsa de recogida	45 L

Peso	10.3 kg
Nivel de protección	IPX4
Tipo de protección	Clase II
Nivel de potencia acústica (Lwa)	106 dB***

* El modo de funcionamiento P40 40 % significa un perfil de carga de 40 segundos de carga y 60 segundos de funcionamiento en vacío. El funcionamiento a largo plazo es admisible para un uso práctico.

** Dependiendo de la dureza de la madera.

*** Valores medidos según lo establecido en las directivas 2000/14/CE y 2005/88/CE (1.60 m de altura, 1 m de distancia) y tolerancia de medición +/- 3 dB.

DESCRIPCIÓN

Los números del texto se refieren a los diagramas de las páginas 2-3.

1. Tolva de alimentación
2. Parte inferior del cuerpo
3. Ruedas
4. Tapones de las patas
5. Bastidor
6. Bolsa de recogida
7. Parte superior del cuerpo
8. Varilla de empujar
9. Restablecimiento protección contra sobrecargas
10. Interruptor de encendido/apagado
11. Perno
12. Barra conectora
13. Tapa de la rueda
14. Bloque protección cuchilla
15. Hoja
16. Pernos cuchilla
17. Pernos bastidor
18. Separadores
19. Casquillo del eje
20. Tuerca de rueda
21. Llave de tuercas
22. Llave hexagonal

3. MONTAJE



Antes del montaje, apague siempre la máquina y saque el enchufe de la toma.

Montaje de las ruedas y del bastidor (Fig. G y H)

1. Empuje la barra conectora (12) por los dos orificios inferiores del bastidor (5).
2. Coloque a cada lado de la barra conectora (12) un espaciador (18), un casquillo de eje (19) y una rueda (3). Después apriete con una tuerca (20).
3. Monte la tapa de la rueda (13) en la rueda (3).
4. Coloque la trituradora al revés (sobre la tolva de alimentación) y monte el bastidor (5) en el cuerpo inferior (2) utilizando 4 tornillos de bastidor (16) y apriételes con la llave de tuercas (21).

4. FUNCIONAMIENTO



Antes de usar, inspeccione siempre visualmente para comprobar que las cuchillas, los pernos de las cuchillas y el conjunto del corte no estén desgastados o dañados. Mantenga desconectada la corriente y desenchufe de la red de suministro. Sustituya las cuchillas y los pernos desgastados o dañados en juegos, para preservar el equilibrio.



Si la máquina empieza a vibrar de modo anormal (compruebe inmediatamente):

- controle si tiene daños,
- sustituya o repare las piezas dañadas,
- compruebe si hay piezas flojas y, en su caso, apriéte las.



Apague inmediatamente la máquina en los siguientes casos:

- cada vez que deje la máquina,
- antes de liberar los bloqueos o atascos de los conductos,
- antes de comprobar, limpiar o trabajar en la máquina,
- después de golpear un objeto extraño.

Inspeccione la máquina para ver si tiene daños y haga las reparaciones necesarias antes de volver a ponerla en marcha y utilizarla.



Coloque siempre la máquina sobre una superficie sólida y totalmente uniforme. Nunca incline o mueva la máquina cuando el motor esté en marcha.

Encendido y apagado de la máquina



Nunca intente poner la mano en la tolva del alimentador (1). Si desea empujar el material hacia la cámara de corte, utilice el palo de empuje (8).

- Antes de poner en marcha la máquina, fije la bolsa de recogida (6) en ambos ganchos de la carcasa.
- Para encender la máquina, pulse el interruptor de encendido (10). Como medida de seguridad, la trituradora no se pone en marcha si el perno de sujeción de la tolva no está completamente apretado.
- Para parar la máquina, pulse el interruptor de apagado (10).

Instrucciones de funcionamiento

- Las ramas y los restos de poda son más difíciles de triturar en función del tiempo y la sequedad de la madera. Los mejores resultados se obtienen triturando esquejes frescos y blandos con ramas secas.
- La idoneidad de la trituradora para cortar residuos de jardín blandos y con gran cantidad de savia (por ejemplo, frutas de pepita, residuos vegetales húmedos) es limitada. Este material debe ser compostado inmediatamente.
- Cuando triture ramas gruesas, aplique solo una ligera presión para no bloquear la trituradora.
- Deje siempre que la máquina se enfríe antes de guardarla.



Sustituya las piezas desgastadas o dañadas, por seguridad. Use únicamente piezas de repuesto y accesorios originales.

Protección contra re arranque

Esta protección evita el arranque accidental de la máquina tras un corte de corriente. Cuando vuelva la corriente, vuelva a encender la máquina.

Protección contra sobrecargas

Si la máquina está expuesta a cargas elevadas (por ejemplo, el cilindro de corte está bloqueado), se detiene en unos segundos. Apague la alimentación y retire el enchufe. Pulse el restablecimiento de la protección contra sobrecargas (9) y vuelva a poner la máquina en marcha para usarla.

Bloqueos

Si la máquina se bloquea en algún momento, apáguela y desenchúfela de la toma de corriente. Gire el perno del cuerpo superior (11) en sentido antihorario hasta que el cuerpo superior se afloje. Tire hacia arriba apartándola de usted para dejar descubierto el interior de la trituradora. Elimine cualquier obstrucción teniendo cuidado de no tocar las cuchillas afiladas, vuelva a colocar el cuerpo superior y apriete de nuevo girando el perno (11) completamente en sentido horario.

5. MANTENIMIENTO



Antes de la limpieza y el mantenimiento, apague siempre la máquina y saque el enchufe de la toma.

El trituradora ha sido diseñado para funcionar durante un largo período de tiempo con un mantenimiento mínimo. El funcionamiento continuo satisfactorio depende del cuidado adecuado del trituradora y de su limpieza periódica.

- Mantenga la trituradora limpia y seca.
- Para limpiar la trituradora, utilice solo jabón suave y un paño húmedo. Nunca deje que ningún líquido penetre en la herramienta y nunca sumerja ninguna parte de la herramienta en líquido. No utilice ningún limpiador abrasivo o a base de disolventes.
- Al realizar el mantenimiento de la trituradora, tenga en cuenta que aunque la fuente de alimentación esté desconectada, debido a la función de bloqueo del dispositivo de seguridad, la trituradora puede seguir moviéndose.
- Después de cada sesión de trabajo, limpie a fondo la máquina para eliminar todo el polvo y los residuos, y repare o sustituya las piezas defectuosas.
- Mantenga siempre limpio el dispositivo, en especial las rejillas de ventilación.
- ¡Nunca rocíe agua sobre el cuerpo del aparato!
- Mantenga todas las tuercas, pernos y tornillos apretados para asegurarse de que el aparato esté en condiciones seguras de funcionamiento.
- Las reparaciones y trabajos especificados en estas instrucciones pueden ser realizados solo por personal cualificado y autorizado.
- Utilice únicamente accesorios y piezas de recambio originales. Los componentes para los

que no se proporcionan instrucciones de sustitución deben ser sustituidos únicamente por el fabricante. El uso de otras piezas de repuesto puede causar accidentes/lesiones al usuario. El fabricante no se responsabiliza de tales daños.

Sustitución de las cuchillas de corte (Fig. F)



Antes de realizar cualquier trabajo en la máquina, desconecte el cable de alimentación de la red eléctrica.



Cuando cambie las cuchillas de corte, use guantes protectores. Existe peligro de lesiones al tocar las cuchillas de corte.



Utilice únicamente las cuchillas recomendadas por el fabricante.



Sustituya las piezas desgastadas o dañadas, por seguridad. Utilice solo piezas de repuesto y accesorios originales.

1. Gire totalmente el perno (11) en sentido antihorario para abrir la carcasa superior (7).
2. La máquina tiene incorporadas dos cuchillas (16) que se pueden sustituir. Afloje los dos tornillos de cada cuchilla con la llave hexagonal (22) para poder sacar las cuchillas.
3. Inserte una nueva cuchilla y apriete los dos tornillos.
4. Cierre el cuerpo superior y gire totalmente el perno (11) en sentido horario.

MEDIOAMBIENTE



Los aparatos eléctricos o electrónicos defectuosos y/o desechados deben recogerse en lugares de reciclado apropiado.

Solo para países de la Comunidad Europea

No elimine las herramientas eléctricas como residuos domésticos. De acuerdo con la Directiva europea 2012/19/CE sobre residuos de aparatos eléctricos y electrónicos, y su transposición a las legislaciones nacionales, las herramientas eléctricas que ya no se utilizan deben recogerse por separado y eliminarse en modo ecológico.

CONDICIONES DE GARANTÍA

Los productos VONROC han sido desarrollados con los más altos estándares de calidad y VONROC garantiza que están exentos de defectos relacionados con los materiales y la fabricación durante el periodo legalmente estipulado, a contar desde la fecha de compra original. En caso de que el producto presente defectos relacionados con los materiales y/o la fabricación durante este periodo, póngase directamente en contacto VONROC.

La presente garantía se excluye en los siguientes casos:

- Si centros de servicios no autorizados han realizado o han intentado realizar reparaciones y/o alteraciones a la máquina.
- Si se ha producido un desgaste normal.
- Si la herramienta ha sido mal tratada o usada en modo impropio, o se ha realizado incorrectamente su mantenimiento.
- Si se han utilizado piezas de repuesto no originales.

La presente constituye la única garantía implícita y explícita que ofrece la compañía. No existen otras garantías explícitas o implícitas que excedan las citadas aquí, incluidas las garantías implícitas de comerciabilidad e idoneidad para una finalidad en especial. VONROC no será considerada responsable en ningún caso por daños incidentales o consecuentes. Los recursos a disposición de los distribuidores se limitan a la reparación o a la sustitución de las unidades o piezas no conformes.

El producto y el manual de usuario están sujetos a variaciones. Las especificaciones pueden variarse sin previo aviso.

1. ISTRUZIONI DI SICUREZZA

Leggere accuratamente gli avvisi di sicurezza, gli avvisi di sicurezza aggiuntivi e le istruzioni. La mancata osservanza degli avvisi di sicurezza e delle istruzioni potrebbe causare scosse elettriche, incendio e/o gravi lesioni. Mantenere gli avvisi di sicurezza e le istruzioni a portata di mano per future consultazioni.

I seguenti simboli sono utilizzati nel presente manuale utente o sul prodotto:



Leggere il manuale per l'utente!



Pericolo di lesioni personali.



Indica il pericolo, l'avvertenza o la cautela.



Indossare occhiali di sicurezza e protezioni acustiche.



Spegnere la macchina e scollegare la spina dalla presa elettrica prima di eseguire interventi di regolazione e pulizia oppure se il cavo di alimentazione è danneggiato o attorcigliato.



Prestare attenzione a non mettere in pericolo l'incolumità delle persone che si trovano nelle vicinanze per via di oggetti lanciati a forte velocità dalla macchina. Avvertenza: mantenersi a distanza di sicurezza dalla macchina mentre è in funzione.



Pericolo: lame rotanti. Tenere mani e piedi lontani dalle aperture mentre la macchina è in funzione.



Attendere che tutti i componenti della macchina si siano arrestati completamente prima di toccarli.



Non salire in piedi sulla macchina.



Non esporre alla pioggia.



Livello di potenza sonora garantito LWA = 106 dB(A)



Non smaltire il prodotto in contenitori non idonei.



Il prodotto è conforme alle norme di sicurezza applicabili ai sensi delle direttive europee vigenti.

REGOLE GENERALI DI SICUREZZA



ATTENZIONE! Leggere tutte le avvertenze di sicurezza e tutte le istruzioni. Se non si seguono tutte le istruzioni sotto elencate, si può incorrere in uno shock elettrico, in un incendio e/o in lesioni serie.

Conservare queste istruzioni.

Il termine "arnese elettrico" in tutti gli avvertimenti sotto elencati si riferisce al vostro arnese elettrico che funziona a corrente (con filo) o ad un arnese che funziona a pile (senza filo).

1) Area di lavoro

- Mantenere l'area di lavoro pulita e ben illuminata.** Aree buie e disordinate favoriscono gli incidenti.
- Non usare arnesi elettrici in atmosfere esplosive, come vicino ai liquidi infiammabili, gas o polveri.** Gli arnesi elettrici creano scintille che possono incendiare la polvere dei vapori.
- Tenere lontani bambini e altre persone mentre si accende l'arnese elettrico.** Le distrazioni possono farvi perdere il controllo.

2) Sicurezza elettrica

- Le spine dell'arnese elettrico devono andare bene per la presa di corrente. Non modificare mai la spina in alcun modo. Non usare alcun adattatore con arnesi elettrici a terra (messo a terra).** Spine non modificate che vanno bene per le prese di corrente ridurranno il rischio di shock elettrico.
- Evitare il contatto corporeo con superfici a terra come tubature, radiatori, fornelli e refrigeratori.** C'è un rischio maggiore di shock elettrico se il vostro corpo è a terra.
- Non esporre arnesi elettrici alla pioggia o a condizioni di umidità.** Se dell'acqua penetra nell'arnese elettrico aumenterà il rischio di shock elettrico.
- Non abusare del filo. Non usare mai il filo per trasportare, spingere o staccare dalla presa l'arnese elettrico. Tenere il filo lontano da calore, olio, bordi taglienti o parti mobili.** Fili

- danneggiati o aggrovigliati aumentano il rischio di shock elettrico.
- e) **Quando si accende un arnese elettrico all'aperto, usare una prolunga adatta a tale uso.** Usare un filo adatto all'uso all'aperto ridurrà il rischio di shock elettrico.
- f) **Se non è possibile evitare l'uso di un elettrotensile in ambiente umido, usare una rete di alimentazione protetta da un interruttore differenziale (salvavita).** L'uso di un salvavita riduce il rischio di scosse elettriche.
- 3) Sicurezza personale**
- a) **Stare vigili e attento quando si accende un arnese elettrico. Non usare un arnese elettrico mentre si è stanco o sotto l'effetto di droghe, alcool o medicinali.** Un momento di disattenzione mentre si accendono arnesi elettrici può causare delle gravi lesioni personali.
- b) **Usare dispositivi di protezione individuale. Indossare sempre una protezione per gli occhi.** Dispositivi di sicurezza come mascherina per la polvere, scarpe di sicurezza antiscivolo, casco, o protezioni per le orecchie usate nelle appropriate condizioni, ridurranno le lesioni personali.
- c) **Prevenire l'avvio accidentale. Assicurarsi che l'interruttore sia spento prima di collegarsi.** Trasportare elettrotensili tenendo il dito sull'interruttore di accensione o dare corrente ad elettrotensili con l'interruttore acceso può dare luogo a incidenti.
- d) **Rimuovere ogni chiave regolatrice o chiave per dadi prima di accendere l'arnese elettrico.** Una chiave per dadi o una chiave lasciata attaccata ad una parte rotante dell'arnese elettrico può provocare lesioni personali.
- e) **Cercare di mantenere l'equilibrio. Mantenere sempre un punto d'appoggio appropriato.** Questo consente un controllo migliore dell'arnese elettrico in situazioni inaspettate.
- f) **Vestirsi adeguatamente. Non indossare vestiti larghi o gioielli. Tenere lontano capelli, vestiti e guanti dalle parti mobili.** Vestiti larghi, gioielli o capelli lunghi possono essere presi nelle parti mobili.
- g) **Se vengono forniti dispositivi per la connessione dell'estrazione della polvere e attrezzature di raccolta, assicurarsi che questi siano collegati e usati correttamente.** L'uso di questi dispositivi può ridurre i rischi correlati alla polvere.
- h)
-) **Non lasciare che la confidenza acquisita dall'uso frequente induca l'utilizzatore ad assumere comportamenti imprudenti e a ignorare i principi di sicurezza per l'utensile.** Una semplice distrazione può provocare gravi lesioni personali in una frazione di secondo.
- 4) Uso e manutenzione dell'arnese elettrico**
- a) **Non forzare l'arnese elettrico. Usare l'arnese elettrico corretto per il vostro impiego.** L'arnese elettrico corretto farà il lavoro meglio e in maniera più sicura alla velocità per la quale è stato progettato.
- b) **Non usare l'arnese elettrico se l'interruttore non si accende o non si spegne.** Ogni arnese elettrico che non può essere controllato con l'interruttore è pericoloso e deve essere riparato.
- c) **Scollegare la spina dalla sorgente di elettricità prima di fare qualsiasi regolazione, cambiare gli accessori, o conservare arnesi elettrici.** Tali misure di sicurezza preventive riducono il rischio di accendere l'arnese elettrico accidentalmente.
- d) **Conservare gli arnesi elettrici inattivi fuori dalla portata dei bambini e non permettere a persone che non hanno confidenza con l'arnese elettrico o con queste istruzioni di usare l'arnese elettrico.** Gli arnesi elettrici sono pericolosi per utenti inesperti.
- e) **Mantenere gli arnesi elettrici. Controllare il non allineamento o l'attacco di parti mobili, la rottura di parti ed ogni altra condizione che può influire sul funzionamento degli arnesi elettrici. Se è danneggiato, far riparare l'arnese elettrico prima dell'uso.** Molti incidenti sono causati da arnesi elettrici mantenuti male.
- f) **Mantenere gli arnesi da taglio affilati e puliti.** È meno probabile che si attacchino degli arnesi da taglio mantenuti correttamente con tagli affilate e questi sono anche più facili da controllare.
- g) **Usare l'arnese elettrico, gli accessori e le parti dell'arnese ecc, secondo queste istruzioni e nel modo pensato per il particolare tipo di arnese elettrico, tenendo conto delle condizioni di lavoro e del lavoro da svolgere.** L'uso dell'arnese elettrico per operazioni diverse da quelle pensate potrebbe causare situazioni pericolose.
- h) **Mantenere le impugnature e le superfici di presa asciutte, pulite e libere da olio e grasso.** Impugnature e superfici di presa scivolose non consentono di maneggiare e controllare in sicurezza l'utensile in situazioni impreviste.

- 5) **Uso e manutenzione dell'utensile a batteria**
- a) **Ricaricare l'apparecchio esclusivamente con il caricabatterie specificato dal fabbricante.** Se si utilizza un caricabatterie di diverso tipo potrebbero verificarsi incendi.
- b) **Utilizzare gli utensili elettrici solo con i pacchi batterie appositamente prescritti.** L'uso di pacchi batterie di diverso tipo aumenta il rischio di infortunio o incendio.
- c) **Quando il pacco batterie non è in uso, tenerlo lontano da oggetti metallici quali fermagli, monete, chiavi, chiodi, viti o altri piccoli oggetti metallici che potrebbero mettere in collegamento i due poli.** Se i poli vengono messi in corto circuito, la batteria potrebbe emettere scintille o fiammate.
- d) **In condizioni di uso scorretto, la batteria potrebbe emettere liquido: evitare pertanto di entrarvi in contatto. In caso di contatto accidentale, risciacquare con acqua. Se il liquido entra a contatto con gli occhi, consultare immediatamente un medico.** Il liquido emesso dalla batteria può causare irritazioni o ustioni.
- e) **Non utilizzare un pacco batterie o l'utensile se danneggiati o manomessi.** Pacchi batterie danneggiati o manomessi potrebbero avere comportamenti imprevisti con il rischio di incendiarsi, esplodere o provocare lesioni a persone.
- f) **Non esporre un pacco batterie o l'utensile alle fiamme o a temperature eccessivamente elevate.** L'esposizione alle fiamme o a temperature superiori a 130 °C potrebbe provocare un'esplosione. **NOTA:** la temperatura di "130 °C" corrisponde a "265 °F".
- g) **Seguire tutte le istruzioni per la ricarica e non caricare il pacco batterie o l'utensile a temperature che non rientrino nell'intervallo specificato nelle istruzioni.** Se si effettua la ricarica in modo improprio o a temperature non comprese nell'intervallo specificato, il pacco batterie potrebbe subire danni e potrebbe aumentare il rischio di incendi.
- 6) **Riparazione**
- a) **L'assistenza per l'elettro utensile deve essere prestata da un tecnico qualificato che utilizzi soltanto ricambi originali.** In questo modo viene garantita la sicurezza dell'elettro utensile.
- b) **Non tentare di riparare pacchi batterie danneggiati.** La riparazione dei pacchi batteria deve essere effettuata esclusivamente dal produttore o presso centri di assistenza autorizzati.

ISTRUZIONI DI SICUREZZA AGGIUNTIVE PER BIOTRITURATORI

- Usare questo biotrituratore solo se nel circuito elettrico è installato un interruttore differenziale salvavita (RCD) con una corrente di intervento che non superi i 30 mA.
- In caso di utilizzo di un cavo di prolunga, accertarsi che sia adatto per l'uso all'aperto e contrassegnato come tale. Si consiglia l'impiego di un cavo di prolunga di tipo H05VV-F o H05RN-F con sezione minima di 1,5 mm² e lunghezza massima pari a 10 metri.
- Srotolare completamente il cavo di prolunga prima dell'uso per evitare il surriscaldamento e la perdita di efficienza del biotrituratore. Quando il cavo viene riposto, avvolgerlo con cautela per evitare che si attorcigli.
- Questo apparecchio non è destinato all'uso da parte di persone con capacità fisiche, sensoriali o mentali ridotte (bambini inclusi) o che non abbiano alcuna esperienza o conoscenza della macchina, a meno che siano sorvegliate o siano state istruite sull'uso del prodotto da una persona responsabile per la loro sicurezza. I bambini devono essere sorvegliati per assicurarsi che non giochino con l'apparecchio.



AVVERTENZA: dopo lo spegnimento della macchina, la lama di taglio continua a girare per alcuni secondi.

- Controllare spesso la condizione della lama di taglio. Se la lama è danneggiata deve essere sostituita immediatamente. Attenersi a tutte le precauzioni necessarie durante la sostituzione della lama.
- Prima dell'uso controllare che il cavo di alimentazione e il cavo di prolunga non presentino segni di danni o invecchiamento. Se il cavo di alimentazione si danneggia durante l'uso, scollegare immediatamente la spina dalla presa elettrica.
- **NON TOCCARE IL CAVO DI ALIMENTAZIONE PRIMA DI SCOLLEGARE LA SPINA.**
- Non collegare alla rete elettrica un cavo di alimentazione danneggiato né toccare un cavo danneggiato prima di staccare la spina dalla presa. Un cavo di alimentazione danneggiato può provocare il contatto con parti sotto tensione.
- Non utilizzare il biotrituratore se è danneggiato o usurato.

- Leggere attentamente le istruzioni. Acquisire dimestichezza con i comandi e l'uso corretto della macchina. Evitare di utilizzare la macchina in condizioni di maltempo, soprattutto quando vi è il rischio di fulmini. Durante l'uso della macchina indossare sempre calzature robuste e pantaloni lunghi.
- Tenere i bambini e gli animali domestici a debita distanza dall'area di lavoro e non consentire in nessun caso ai bambini di utilizzare questo apparecchio né di toccare il cavo di prolunga. Quando non viene usato, conservare l'apparecchio in un luogo sicuro, fuori dalla portata dei bambini.



AVVERTENZA: per ridurre il rischio, staccare la spina dalla presa di corrente e utilizzare solo gli accessori consigliati. In caso contrario potrebbero verificarsi lesioni alle persone.

- Indossare protezioni acustiche e occhiali di sicurezza ogni volta che si utilizza la macchina
- Indossare dispositivi di protezione antipolvere, se l'azione di triturazione provoca il sollevamento di polvere o particelle.
- Vestirsi in modo appropriato per il lavoro da svolgere: evitare indumenti larghi che potrebbero impigliarsi nelle parti in movimento dell'apparecchio.
- Raccogliere i capelli lunghi e indossare un elmetto di protezione.
- Utilizzare la macchina solo in spazi aperti (ad esempio, lontano da muri o altri oggetti fissi) e su una superficie piana e stabile.
- Non mettere in funzione la macchina su una superficie lastricata o ghiaia dove l'eventuale materiale espulso potrebbe provocare lesioni a persone.
- Ispezionare a fondo il biotrituratore, in modo da rilevare eventuali componenti allentati o danneggiati prima di qualsiasi utilizzo. Non utilizzare la macchina fino a quando non siano state completate le dovute regolazioni o riparazioni.
- Sostituire le eventuali etichette danneggiate o illeggibili.
- Usare esclusivamente cavi di prolunga resistenti all'acqua, completamente srotolati e adatti per l'impiego all'aperto.
- Questo apparecchio è destinato esclusivamente all'uso all'aperto.
- Non esporre l'apparecchio alla pioggia.
- Usare il biotrituratore solo di giorno o con una buona illuminazione artificiale.
- Non lasciare mai l'apparecchio incustodito.
- Non usare l'apparecchio in un'area in cui potrebbe causare un'esplosione o un incendio; tenerla lontana da liquidi e gas infiammabili.
- Proteggersi dalle scosse elettriche: prevenire il contatto del corpo con superfici dotate di messa a terra, come ad esempio recinzioni metalliche, pali o altri oggetti di metallo presenti nell'area di lavoro.
- Non spostare mai la macchina tirandola dal cavo di alimentazione. Trasportarla avvalendosi delle ruote o sollevandola con due mani.
- Evitare di posare il cavo di alimentazione su oggetti affilati che potrebbero perforare l'isolamento esterno. Ispezionare visivamente il cavo di alimentazione prima dell'uso e, se dovesse essere danneggiato, farlo sostituire presso un centro di assistenza specializzato. Non utilizzare l'apparecchio se il cavo di alimentazione è danneggiato.
- Tenere il cavo di alimentazione lontano da fonti di calore, gelo, olio, solventi od oggetti e bordi affilati.
- Non utilizzare questo apparecchio se si è sotto l'effetto di farmaci pesanti, se non ci si sente bene o se sono stati assunti alcolici.
- Non tentare mai di mettere la mano all'interno della tramoggia di alimentazione. Se si desidera spingere il materiale nella camera di taglio, usare l'apposita paletta convogliatrice.
- Prima di avviare la macchina, controllare l'interno della camera di alimentazione per accertarsi che sia vuota.
- Mantenere il viso e il corpo a distanza dalla bocca di alimentazione.
- Non lasciare le mani o altre parti del corpo all'interno della camera di alimentazione e dello scivolo di scarico, o vicino a parti in movimento.
- Mantenere sempre un equilibrio stabile ed una posizione di lavoro sicura. Non sporgersi troppo. Mentre si carica il materiale all'interno della macchina, non posizionarsi mai a un livello più alto rispetto alla base della stessa.
- Rimanere sempre lontano dalla zona di scarico quando la macchina è in funzione.
- Mentre si carica il materiale all'interno della macchina prestare estrema attenzione a che esso non contenga pezzi di metallo, sassi, bottiglie, lattine o altri corpi estranei.

- Se il meccanismo di taglio colpisce qualche oggetto estraneo o se la macchina inizia a produrre rumori o vibrazioni insolite, disattivare la fonte di alimentazione e attendere che la macchina si fermi (unità elettrica scollegata dalla corrente):
 - *verificare che la macchina non presenti danni;*
 - *verificare se sono presenti parti allentate ed eventualmente stringerle;*
 - *far sostituire o riparare eventuali componenti danneggiati, utilizzando solo ricambi e accessori consigliati dal produttore.*
- Non lasciare che il materiale tritato si accumuli nella zona di scarico, con la possibilità di creare problemi durante lo scarico e che si verifichi un contraccolpo del materiale attraverso la bocca di alimentazione.
- In caso di ostruzione della macchina disattivare la fonte di alimentazione elettrica (scollegare l'unità elettrica dalla corrente) prima di rimuovere i detriti. Mantenere l'unità elettrica libera da residui e accumuli di materiale per evitare danni e rischi di incendio. Si ricordi che azionando il meccanismo di avviamento di un apparecchio a motore viene azionato il meccanismo di taglio.
- Mantenere tutte le protezioni e i deflettori in posizione e in buone condizioni operative.
- Non modificare le impostazioni del regolatore della fonte di alimentazione elettrica; il regolatore controlla la velocità massima per un funzionamento sicuro e protegge la fonte di alimentazione elettrica e tutte le parti in movimento dai possibili danni provocati da una velocità eccessiva. In caso di problemi rivolgersi a un centro di assistenza autorizzato.
- Non trasportare la macchina quando è accesa.
- Disattivare la fonte di alimentazione elettrica (scollegare l'unità elettrica dalla corrente) ogni volta che si abbandona l'area di lavoro.
- Non inclinare la macchina quando è accesa.
- Il biotritratore deve essere posizionato su una superficie piana e stabile.
- Non appoggiare mai il biotritratore sulla parte posteriore, anteriore o laterale: mantenerlo sempre in posizione verticale.
- Non sovraccaricare il biotritratore: caricare il materiale lentamente e lasciare funzionare l'apparecchio secondo il proprio ritmo.
- Prima di avviare il biotritratore accertarsi che la cavità d'ingresso sia vuota. Non avviare la macchina se è presente del materiale al suo interno.
- Ad eccezione dei casi di emergenza, non spegnere il biotritratore fino a quando non si è completamente svuotato dal materiale.
- Rimuovere sassi o altri oggetti duri dalle radici delle piante prima di procedere alla loro triturazione.
- Tenere saldamente con le mani i rami più o meno sottili durante il loro inserimento nella macchina.
- Non lasciare mai che la bocca di scarico sia coperta od ostruita.

Sicurezza elettrica



Controllare sempre che la tensione di alimentazione corrisponda alla tensione indicata sulla targhetta delle caratteristiche.

- Non utilizzare l'elettrotensile quando il cavo o la spina di alimentazione sono danneggiati.
- Utilizzare esclusivamente cavi di prolunga idonei per la potenza nominale dell'elettrotensile, con conduttori di sezione minima di 1.5 mm². Quando si utilizza un cavo di prolunga con avvolgicavo, svolgere sempre completamente il cavo.

2. INFORMAZIONI RELATIVE ALL'APPARECCHIO

Uso previsto

Questo biotritratore è stato concepito per triturare rami, ramoscelli e altri residui di potatura. Questo materiale può essere facilmente ridotto in trucioli di legno da riutilizzare. Il biotritratore è destinato all'uso in giardini domestici di dimensioni medio-piccole, ma non è progettato per uso intensivo.

DATI TECNICI

Numero modello	GS502AC
Tensione	230-240 V~
Frequenza	50 Hz
Potenza	2500 W (P40)*
Velocità a vuoto	4200/min.
Diametro di taglio max.	45 mm**
Capacità sacco di raccolta	45 L
Peso	10.3 kg
Livello di protezione	IPX4
Tipo di protezione	Classe II
Livello potenza sonora (Lwa)	106 dB***

* Il regime di esercizio P40 40% indica un profilo di carico di 40 secondi e 60 secondi di funzionamento a vuoto. Il funzionamento prolungato è ammissibile per un uso pratico.

** Dipende dalla durezza del legno.

*** Valori misurati appresi in conformità alle norme 2000/14/CE e 2005/88/CE (altezza 1,60 m, distanza 1 m), con tolleranza di misurazione di ± 3 dB.

DESCRIZIONE

I numeri che compaiono nel testo si riferiscono agli schemi riportati alle pagine 2-3.

1. Tramoggia di alimentazione
2. Parte inferiore del corpo macchina
3. Ruota
4. Piedino di supporto antiscivolo
5. Telaio
6. Sacco di raccolta
7. Parte superiore del corpo macchina
8. Paletta convogliatrice
9. Tasto di reset protezione da sovraccarico
10. Interruttore di accensione/spegnimento
11. Manopola
12. Asta di collegamento
13. Copriruota
14. Blocco proteggi lama
15. Lama
16. Viti di fissaggio lama
17. Viti di fissaggio telaio
18. Distanziatore
19. Boccola dell'asse
20. Dado ruota

21. Chiave per serraggio dadi

22. Chiave a brugola

3. MONTAGGIO

Prima del montaggio, spegnere sempre l'elettrotensile e disconnettere la spina di alimentazione dalla rete elettrica.

Assemblaggio delle ruote e del telaio (Fig. G e H)

1. Infilare l'asta di collegamento (12) attraverso i due fori inferiori del telaio (5).
2. Montare su ciascun lato dell'asta di collegamento (12) un distanziatore (18), una boccola dell'asse (19) e una ruota (3), poi stringere con un dado (20).
3. Montare la copertura ruota (13) sulla ruota (3).
4. Mettere il biotrituratore a testa in giù (sulla tramoggia di alimentazione) e montare il telaio (5) sulla parte inferiore del corpo macchina (2) con le 4 viti di fissaggio del telaio (16) e stringere con la chiave per serraggio dadi (21).

4. UTILIZZO

Prima dell'utilizzo, sottoporre l'apparecchio sempre a un controllo visivo per accertare che le lame, i bulloni delle lame e il gruppo di taglio non siano usurati o danneggiati. Mantenere il cavo di corrente spento e scollegato dall'alimentazione di corrente. Sostituire le lame e i bulloni nei kit usurati o danneggiati per mantenere l'equilibrio.



Se la macchina inizia a vibrare in modo anormale (controllare immediatamente):

- verificare la presenza di danni,
- sostituire o riparare qualsiasi parte danneggiata,
- verificare la presenza di parti allentate e stringerle, se presenti.



Spegnere immediatamente la macchina nei seguenti casi:

- ogni volta che si lascia la macchina,
- prima di rimuovere blocchi o sturare lo scivolo,
- prima di controllare, pulire o adoperare la macchina;
- dopo aver colpito un oggetto estraneo.

Esaminare la macchina per la presenza di

danni ed eseguire le riparazioni prima del riavvio e il funzionamento della macchina.



Posizionare sempre la macchina su una superficie stabile e piana. Non inclinare o spostare mai la macchina quando il motore è in funzione.

Spegnimento/accensione della macchina



Non tentare mai di mettere la mano all'interno della tramoggia di alimentazione (1). Se si desidera spingere il materiale nella camera di taglio, usare l'apposita palette convogliatrice (8).

- Prima di avviare la macchina montare il sacco di raccolta (6) fissandolo a entrambi i ganci sul corpo macchina.
- Per arrestare la macchina, premere l'interruttore di accensione/spegnimento (10) portandolo in posizione ON. Per motivi di sicurezza, il biotrituratore non si avvia se la manopola di fissaggio della tramoggia non è completamente serrata.
- Per arrestare la macchina premere l'interruttore di accensione/spegnimento(10) portandolo in posizione OFF.

Istruzioni operative

- I rami e gli scarti di potatura risultano più difficoltosi da triturare a seconda dell'età e della secchezza del legno. I migliori risultati si ottengono triturando talee fresche e tenendole insieme a rami secchi.
- L'idoneità del biotrituratore per sminuzzare rifiuti del giardino morbidi e contenenti grandi quantità di linfa (come, ad esempio, frutta a grani e rifiuti vegetali umidi) è limitata. Questo materiale dovrebbe essere messo a compostaggio immediatamente.
- Quando si triturano rami spessi applicare solo una leggera pressione per evitare che il biotrituratore si blocchi.
- Attendere sempre che la macchina si raffreddi prima di riparla.



Sostituire le parti usurate o danneggiate per garantire la sicurezza. Utilizzare solo ricambi e accessori originali.

Protezione contro il riavvio involontario

Questa protezione previene il riavvio accidentale

della macchina dopo un'interruzione di corrente. Appena la corrente viene ripristinata accendere di nuovo la macchina.

Protezione da sovraccarico

Se la macchina è sottoposta a una sollecitazione eccessiva (ad esempio per via del rullo di taglio ostruito) dopo alcuni secondi si arresta. Disattivare l'alimentazione elettrica e staccare la spina dalla presa di corrente. Premere il tasto di reset protezione da sovraccarico (9).

Ostruzioni

Se la macchina dovesse bloccarsi in qualsiasi momento, disattivare l'alimentazione elettrica e staccare la spina dalla presa di corrente. Ruotare la manopola situata nella parte superiore del corpo macchina (11) in senso antiorario finché la parte superiore del corpo macchina si sarà allentata. Sollevare la parte superiore del corpo macchina in modo da rivelare l'interno del biotrituratore. Rimuovere eventuali ostruzioni (prestando attenzione a non toccare le lame affilate), riposizionare la parte superiore del corpo macchina e fissarla ruotando completamente la manopola (11) in senso orario.

5. MANUTENZIONE



Prima di ogni operazione di pulizia e manutenzione, spegnere sempre l'elettrotensile e disconnettere la spina di alimentazione dalla rete elettrica.

Il biotrituratore è stato progettato per funzionare per un lungo periodo di tempo con una manutenzione minima. Il funzionamento continuo del biotrituratore dipende da una cura corretta e da una regolare pulizia della macchina.

- Mantenere il biotrituratore pulito e asciutto.
- Per pulire il biotrituratore utilizzare solo sapone neutro e un panno umido. Non permettere la penetrazione di liquidi di alcun tipo all'interno dell'apparecchio e non immergere mai alcuna sua parte in un liquido. Non usare detersivi contenenti sostanze abrasive o a base di solventi.
- Durante la manutenzione del biotrituratore, si tenga presente che anche se la fonte di alimentazione è disattivata, per via della funzione di blocco del dispositivo di sicurezza, la macchina può comunque spostarsi.

- Dopo ogni periodo di lavoro, pulire accuratamente la macchina, rimuovendo tutta la polvere e i detriti, e riparare o sostituire le parti difettose.
- Mantenere sempre pulito l'apparecchio, in particolare gli sfiati dell'aria.
- Non spruzzare mai acqua sul corpo macchina!
- Mantenere tutti i dadi, i bulloni e le viti serrati per essere certi che la macchina sia in condizioni operative sicure;
- Le riparazioni e gli interventi specificati in questo manuale possono essere eseguiti esclusivamente da personale qualificato e autorizzato.
- Usare solo accessori e ricambi originali. I componenti per i quali non sono disponibili istruzioni per la sostituzione devono essere sostituiti esclusivamente dal produttore. L'uso di ricambi diversi potrebbe provocare incidenti o lesioni all'utilizzatore. Il produttore non potrà essere ritenuto responsabile di tali eventuali danni.

Sostituzione della lama di taglio (Fig. F)



Prima di eseguire qualsiasi intervento sulla macchina, scollegare la spina dalla presa di corrente.



Per sostituire la lama di taglio indossare guanti di protezione. Pericolo di lesioni personali in caso di contatto con la lama di taglio.



Utilizzare solo le lame consigliate dal produttore.



Sostituire le parti usurate o danneggiate per garantire la sicurezza. Utilizzare solo ricambi e accessori originali.

1. Ruotare completamente la manopola (11) in senso antiorario per aprire la parte superiore del corpo macchina (7).
2. La macchina è provvista di due lame (16) sostituibili. Allentare le due viti di fissaggio di ciascuna lama con la chiave a brugola (22) per poter estrarre la lama.
3. Installare una lama nuova e riserrare le due viti di fissaggio.
4. Chiudere la parte superiore del corpo macchina e fissarla ruotando completamente la manopola (11) in senso antiorario.

RISPETTO AMBIENTALE



Le apparecchiature elettriche o elettroniche difettose e/o scartate devono essere raccolte presso gli opportuni siti di riciclaggio.

Solo per i Paesi CE

Non smaltire gli elettrodomestici insieme ai rifiuti domestici. Secondo la Direttiva europea 2012/19/EC sui rifiuti delle apparecchiature elettriche ed elettroniche e relativa implementazione nelle normative locali, gli elettrodomestici ormai inutilizzabili devono essere raccolti separatamente e smaltiti in modo ecologico.

DEFINIZIONI DELLA GARANZIA

I prodotti VONROC sono sviluppati secondo i più elevati standard di qualità e viene garantita l'assenza di difetti nei materiali e nella manodopera per il periodo contrattuale a partire dalla data di acquisto originale. Qualora il prodotto dovesse subire un guasto qualsiasi durante questo periodo a causa di difetti nei materiali e/o nella manodopera, si prega di contattare direttamente il VONROC.

Le seguenti circostanze sono escluse da questa garanzia:

- Riparazioni e/o modifiche alla macchina sono state eseguite o tentate da centri di assistenza non autorizzati.
- Normale usura.
- L'utensile è stato abusato, utilizzato o manutenu- to in modo improprio.
- Sono state utilizzate parti di ricambio non originali

Ciò costituisce l'unica garanzia espressa o implicita fornita dall'azienda. Non esistono altre garanzie espresse o implicite che si estendono oltre il presente documento, ivi comprese le garanzie implicite di commerciabilità e idoneità per uno scopo particolare. In nessun caso VONROC sarà responsabile di eventuali danni incidentali o consequenziali. I rimedi dei rivenditori saranno limitati alla riparazione o sostituzione di unità o parti non conformi.

Il prodotto e il manuale per l'utente sono soggetti a modifiche. I dati tecnici possono essere modificati senza ulteriore notifica.

1. SÄKERHETSFÖRESKRIFTER

Läs de medföljande säkerhetsvarningarna, de tillkommande säkerhetsvarningarna och anvisningarna. Om inte säkerhetsvarningarna och anvisningarna följs kan detta orsaka elstötar, brand och/eller allvarliga kroppsskador. Behåll säkerhetsvarningarna och anvisningarna för framtida bruk.

Följande symboler används i bruksanvisningen eller på produkten:



Läs igenom instruktionerna!



Risk för personskada.



Indikerar fara, varning eller försiktighet.



Använd ögon- och hörselskydd.



Stäng av och ta ut kontakten från elnätet innan du justerar, rengör eller om sladden är fastnat eller skadad.



Var uppmärksam på att åskådare inte skadas av främmande föremål som kastas ut från maskinen. Varning: Håll ett säkert avstånd från maskinen vid användning.



Fara: Roterande blad. Håll händer och fötter borta från öppningarna medan maskinen är igång.



Vänta tills alla maskinkomponenter har stannat helt innan du rör vid dem.



Använd inte som stege.



Utsätt den inte för regn.



Garanterad ljudeffektnivå LWA = 106 dB(A)



Släng inte produkten i olämpliga behållare.



Produkten är i överensstämmelse med tillämpliga säkerhetsstandarder i EU-direktiven.

ALLMÄNNA SÄKERHETSFRÖSKRIFTER



Varning! Läs alla säkerhetsvarningar och alla anvisningar. Om inte alla instruktioner som anges nedan efterföljs kan detta leda till el-stötar, eldsvåda och/eller allvarliga skada.

Spara dessa instruktioner.

Termen "elektriskt redskap" i varningarna som anges nedan hänvisar till elektriska verktyg (med sladd, anslutet till el-nätet) eller batteridrivna (sladdlösa) elektriska verktyg.

1) Arbetsutrymme

- Se till att arbetsutrymmet är städad och väl upplöst.** Stökiga och mörka utrymmen ger anledning till olyckor.
- Använd inte elektriska verktyg i explosiv luft, såsom i närheten av lättantändliga vätskor, gaser eller damm.** Elektriska verktyg åstadkommer gnistor som kan sätta eld på damm eller gas.
- Håll barn och obehöriga på avstånd när du använder ett elektriskt verktyg.** Om du blir distraherad kan du tappa kontrollen över verktyget.

2) El-säkerhet

- Stickkontakten till elektriska verktyg måste passa el-uttaget. Ändra aldrig på något sätt på stickkontakten. Använd inte adapterkontakter till jordade elektriska verktyg.** Oförändrade stickkontakter och passande uttag minskar risken för el-stötar.
- Undvik kroppskontakt med jordade ytor såsom rör, element, spisar och kylskåp.** Risken för el-stötar är större om din kropp är jordad.
- Låt inte elektriska verktyg utsättas för regn eller våta förhållanden.** Om det kommer in vatten i ett elektriskt verktyg ökar risken för el-stötar.
- Skada inte kabeln. Använd aldrig kabeln för att bära eller dra det elektriska verktyget eller för att dra ut stickkontakten. Håll sladden borta från höga temperaturer, olja, vassa kanter eller rörliga delar.** Skadade eller hoptrasslade kablar ökar risken för el-stötar.
- När du använder ett elektriskt verktyg utomhus måste förlängningskabeln vara lämplig för utomhusbruk.** Om man använder en förlängningskabel för utomhusbruk minskar risken för el-stötar.
- Använd jordfelskydd (RCD) om arbete med ett elverktyg i fuktig miljö är oundvikligt.** Användning av RCD minskar risken för elstötar.

3) Personlig säkerhet

- a) **Var uppmärksam, titta på det du håller på med och använd sunt förnuft när du arbetar med ett elektriskt verktyg. Använd inte elektriska verktyg när du är trött eller står under inflytande av droger, alkohol eller mediciner.** Ett ögonblick ouppmärksamhet vid användandet av elektriska verktyg kan leda till allvarliga personskador.
 - b) **Använd personlig skyddsutrustning. Bär alltid skyddsglasögon.** Säkerhetsutrustning såsom skyddsmasker, skor med anti-halksula, hjälm eller hörselskydd som används vid rätt omständigheter kommer att minska personskador.
 - c) **Förhindra oavsiktlig igångsättning. Se till att strömbrytaren är avslagen innan du sätter stickkontakten i eluttaget.** Om du bär elverktyg med fingret på brytaren eller strömsätter elverktyg vars brytare är aktiverad kan du råka ut för en olycka.
 - d) **Ta bort skiftnycklar och skruvnycklar innan ett elektriskt verktyg slås på.** En skift- eller skruvnyckel som lämnas kvar fastsatt vid det elektriska verktygets roterande delar kan leda till personskada.
 - e) **Sträck dig inte för långt. Se till att du alltid står stadigt och i balans.** På så sätt har du bättre kontroll över det elektriska verktyget i oväntade situationer.
 - f) **Klä dig rätt. Bär inte löst sittande kläder eller smycken. Håll håret, kläder och handskar borta från rörliga delar.** Löst sittande kläder, smycken eller långt hår kan fastna i de rörliga delarna.
 - g) **Om apparater för uppsugning och uppsamling av damm finns tillgängliga, se till att de ansluts och används korrekt.** Om sådana apparater används kan dammrelaterade faror minskas.
 - h) **Låt inte erfarenheten som uppnås vid frekvent användning av verktyg låta dig bli för självsäker och ignorera verktygsäkerhetsprinciperna.** En oförsiktig handling kan orsaka allvarliga skador under bråkdelen av en sekund.
- 4) Underhåll av elektriska verktyg**
- a) **Överbelasta inte ett elektriskt verktyg. Använd rätt sorts verktyg till det arbete du vill utföra.** Rätt sorts elektriskt verktyg gör arbetet bättre och säkrare i den hastighet det var designat för.
 - b) **Använd inte verktyget om strömbrytaren är trasig.** Om ett elektriskt verktyg inte kan kontrolleras med hjälp av en strömbrytare är det farligt och måste lagas.
 - c) **Koppla loss stickkontakten från verktyget innan**

du utför några justeringar, byter tillbehör eller förvarar det. Med dessa preventiva säkerhetsåtgärder minskas risken för att det elektriska verktyget går på av misstag.

- d) **Förvara elektriska verktyg som inte är i bruk utom räckhåll för barn och låt inte personer som inte känner till verktyget eller dessa instruktioner använda det.** Elektriska verktyg är farliga i händerna på oerfarna användare.
- e) **Underhåll elektriska verktyg. Kontrollera att alla rörliga delar är i rät linje och fastsatta, att inga delar är trasiga och att de är korrekt monterade. Kontrollera även annat som kan påverka verktygets funktion. Om det elektriska verktyget är trasigt måste det repareras innan det tas i bruk.** Många olyckor förorsakas av dåligt underhållna elektriska verktyg.
- f) **Håll alltid sågande och skärande verktyg vassa och rena.** Sågande och skärande verktyg med vassa egggar/skär fastnar inte så lätt och är enklare att hålla kontroll över.
- g) **Använd det elektriska verktyget, dess tillbehör, borrande eller skärande delar etc. enligt dessa instruktioner och på det sätt som det är avsett för. Ta med förutsättningarna och det arbete som ska utföras i beräkningarna.** Att använda ett elektriskt verktyg för andra arbeten än det är avsett för kan resultera i farliga situationer.
- h) **Se till att handtagen är torra, rena och fria från olja och fett.** Hala handtag och grepppytor tillåter inte säker hantering och kontroll av verktyget i oväntade situationer.

5) Användning och skötsel av batteri och laddare

- a) **Använd endast den laddare som anges av tillverkaren.** En laddare som passar en typ av batteri kan orsaka brand om den används för ett annat batteri.
- b) **Använd endast elverktyget med ett batteripack som är avsett för verktyget.** Användning av andra batteripack kan medföra risk för skador och brand.
- c) **När du inte använder batteriet ska det förvaras så att inga små metallföremål som t.ex. gem, mynt, spikar, skruvar osv. kan kortslua kontaktarna på batteriet.** Kortslutning av batterikonkaktarna kan orsaka brännskador eller brand.
- d) **Under extrema förhållanden kan vätska läcka ut från batteriet; undvik kontakt. Skölj med vatten vid kontakt med kroppsdelar. Uppsök genast en läkare om du får vätska i ögonen.** Vätska från

batteriet kan orsaka irritation eller frätskador.

- e) **Använd inte batterier eller verktyg som är skadade eller modifierade.** Skadade eller modifierade batterier kan uppvisa oförutsägbart beteende som kan leda till brand, explosion eller risk för skada.
- f) **Utsätt inte batteri eller verktyg för eld eller överdriven temperatur.** Exponering för brand eller temperatur över 130 °C kan orsaka explosion. OBS! Temperaturen "130 °C" kan ersättas med temperaturen "265 °F".
- g) **Följ alla laddningsanvisningar och ladda inte batteriet eller verktyget utanför det temperaturområde som anges i instruktionerna.** Om du laddar batteriet felaktigt eller vid temperaturer utanför det angivna området kan det skada batteriet och öka risken för brand.

6) Service

- a) **Låt ditt elverktyg servas av en kvalificerad reparatör och enbart med originalreservdelar.** Detta säkerställer att elverktygets säkerhet upprätthålls.
- b) **Utför aldrig service på skadade batterier.** Service av batteri ska endast utföras av tillverkaren eller auktoriserade serviceleverantörer.

YTTERLIGARE SÄKERHETSANVISNINGAR FÖR KOMPOSTKVARN

- Använd endast denna kompostkvarn när en jordfelsbrytare (RCD) med en frånsagningsström på inte mer än 30mA finns i kretsen.
- Om en förlängningssladd används se till att den är för utomhusbruk och är märkt som sådan. Den rekommenderade storleken på förlängningssladden är av typ H05VV-F eller H05RN-F och ska inte vara mindre än 1,5 mm² och maximalt 10 meter lång.
- Ta ut förlängningssladden helt innan användning för att undvika överhettning och förlorad effektivitet. När kabeln lindas upp, linda försiktigt så att den inte trasslar sig.
- Denna apparat är inte avsedd att användas av personer (inklusive barn) med nedsatt fysisk, sensorisk eller mental förmåga eller brist på erfarenhet och kunskap, såvida de inte har fått handledning eller instruktioner om användningen av apparaten av en person som ansvarar för deras säkerhet. Barn skall övervakas så att de inte leker med apparaten.



WARNING: Efter att maskinen stängts av fortsätter klippbladet att rotera i ytterligare några sekunder.

- Inspektera regelbundet skärbladets skick. Skadade blad måste bytas omedelbart. Följ alla försiktighetsåtgärder som krävs när bladet byts.
- Innan användning, kontrollera sladden och förlängningssladden om där finns skador eller ålderssymptom. Om sladden skadas under användning, koppla ifrån sladden från elnätet omedelbart.
- VIDRÖR INTE SLADDEN INNAN STRÖMFÖRSÖRJNINGEN KOPPLATS BORT.
- Anslut inte en skadad sladd till elnätet eller vidrör en skadad sladd innan den kopplats ifrån eluttaget. En skadad sladd kan leda till kontakt med strömförande delar.
- Använd inte kompostkvarnen om sladden är skadad eller sliten.
- Läs igenom instruktionerna noga. Bekanta dig med kontrollera och lär dig korrekt användning av utrustningen. Undvik att använda apparaten under dåliga väderleksförhållanden särskilt när det finns risk för åska. Använd alltid lämpliga skor och långa byxor när du använder maskinen.
- Håll barn och husdjur långt borta från arbetsområdet och låt aldrig barn använda apparaten eller vidröra förlängningssladden. När det inte används bör redskapet förvaras utom räckhåll för barn på en säker plats.



WARNING: För att minska risken dra ur kontakten från elnätet, använd endast rekommenderade tillbehör som krävs i annat fall kan det resultera i personskador.

- Använd alltid hörselskydd och skyddsglasögon när du använder maskinen
- Använd dammskydd om arbetet gör att damm och partiklar sprids.
- Klä dig förnuftigt för jobbet – inga lösa kläder som kan fastna i apparatens rörliga delar.
- Sätt upp långt hår och bär en skyddshatt.
- Använd endast maskinen i öppet utrymme (t.ex. inte nära en vägg eller annat fast föremål) och på en fast, plan yta.
- Använd inte maskinen på en stenlagd eller grusad yta där material som kastas ut kan orsaka personskador.
- Inspektera genomgående kompostkvarnen om

där finns lösa eller skadade delar innan varje användning. Använd inte enheten innan justeringar eller reparationer gjorts.

- Byt ut skadade och oläsliga etiketter.
 - Använd endast en vattentät, helt upprullad förlängningskabel som är lämplig för utomhusbruk.
 - Denna apparat är endast avsedd för utomhusbruk.
 - Utsätt inte redskapet för regn.
 - Använd endast kompostkvarnen i dagsljus eller bra artificiellt ljus.
 - Lämna aldrig apparaten utan uppsikt.
 - Använd inte apparaten i ett område där den kan orsaka explosion eller brand – håll den borta från brandfarliga vätskor och gaser.
 - Skydda mot elektrisk stöt – förhindra kroppskontakt med jordade eller jordade ytor, t.ex. metallgrindar, stolpar eller andra metallföremål i arbetsområdet.
 - Dra aldrig apparaten i elsladden. Rulla med den eller bär den med två händer.
 - Låt inte elsladden ligga på eller över vassa föremål som kan sticka igenom den yttre isoleringen. Inspektera visuellt elsladden innan användning och, om den är skadad, byt den hos ett specialiserat servicecenter. Använd inte apparaten om sladden är skadad.
 - Håll sladden borta från värme, frost, olja, lösningsmedel eller vassa föremål eller kanter.
 - Använd inte elverktyg när du är trött eller druckit alkohol.
 - Försök aldrig lägga in handen i matartratten. Om du vill trycka in material i skärkammaren använder du tryckpinnen.
 - Innan du startar maskinen, se in i matningskammaren för att se till att den är tom.
 - Håll ansiktet och kroppen borta från inmatningsöppningen.
 - Låt inte händer eller andra delar av kroppen eller kläder komma in i matningskammaren, utkastrännan eller i närheten av någon rörlig del.
 - Bibehåll alltid ordentligt fotfäste och balans. Böj dig inte för långt. Stå aldrig på en högre nivå än maskinens bas när du matar in material i den.
 - Håll dig alltid fri från utkastområdet när du använder maskinen.
 - När du matar in material i maskinen, var försiktig så att metallbitar, stenar, flaskor, burkar eller andra främmande föremål inte följer med.
 - Om skärmekanismen stöter på främmande föremål eller om maskinen skulle börja avge
- ovanligt ljud eller vibrationer, stäng av strömkällan och låt maskinen stanna (elenheten kopplas bort från strömförsörjningen):
 - *inspektera för skada*
 - *kontrollera för och dra åt eventuella lösa delar*
 - *byt ut eller reparera skadade delar och använd endast tillverkarens rekommenderade reservdelar och tillbehör.*
 - Låt inte bearbetat material byggas upp i utkastområdet, detta kan förhindra korrekt utkastning och kan resultera i kast av material genom inmatningsöppningen.
 - Om maskinen är igensatt, stäng av strömkällan (elenheten kopplas bort från strömförsörjningen) innan du rensar skräp. Håll strömkällan fri från skräp och andra ansamlingar för att förhindra skador på strömkällan eller eventuell brand. Kom ihåg att manövrering av startmekanismen på motordrivna maskiner fortfarande kommer att få skärmekanismen att röra sig.
 - Håll alla skydd och avböjare på plats och i gott skick.
 - Manipulera inte inställningarna för strömkällans regulator; regulatorn kontrollerar säker maximal arbetshastighet och skyddar strömkällan och alla rörliga delar från skador orsakade av överhastighet. Kontakta auktoriserad service om det uppstår problem.
 - Transportera inte maskinen medan strömkällan är påslagen.
 - Stäng av strömkällan och koppla bort strömmen när du lämnar arbetsområdet.
 - Transportera inte maskinen medan strömkällan är påslagen.
 - Din kompostkvarn måste placeras på fast, plan mark.
 - Lägg aldrig kompostkvarnen på baksidan, framsidan eller sidorna - håll den alltid upprätt.
 - Överbelasta inte kompostkvarnen - mata den långsamt och låt den arbeta i sin egen takt.
 - Innan du startar, se till att inmatningsöppningen är tom. Starta inte kompostkvarnen med material i.
 - Stäng inte av kompostkvarnen förrän den är helt tom på material om det inte är en nödsituation.
 - Ta bort stenar eller andra hårda föremål från växtrötterna innan du strimlar.
 - Håll stora kvistar eller fina grenar ordentligt när du matar in dem i kompostkvarnen.
 - Låt aldrig utloppet täckas eller blockeras.

Elsäkerhet

Kontrollera alltid att strömförsörjningens spänning motsvarar spänningen på typskylten.

- Om elverktygets nätkabel är skadad måste den bytas ut mot en speciellt förberedd nätsladd som finns tillgänglig via serviceorganisationen.
- Använd endast förlängningskablar som är lämpliga för maskinens effektvärde med ett minimum tjocklek 1,5 mm². Om du använder en förlängningskabelrulle ska du alltid rulla ur kabeln helt.

2. MASKININFORMATION**Avsedd användning**

Denna kompostkvarn är utvecklad för att hugga upp grenar, kvistar och annan gröda. Det kan enkelt reduceras till flis för återanvändning. Kompostkvarnen är avsedd för små till medelstora privata trädgårdar hemma, den är inte avsedd för tung användning.

TEKNISKA SPECIFIKATIONER

Modellnr.	GS502AC
Spänning	230-240 V~
Frekvens	50Hz
Energi	2500 W (P40)*
Varvtal utan belastning	4200/min.
Max. skärdiameter	45 mm**
Uppsamlingspåskapacitet	45 L
Vikt	10.3 kg
Skyddsnivå	IPX4
Skyddstyp	Klass II
Ljudeffektnivå (Lwa)	106 dB***

* Driftläget P40 40% innebär en lastprofil på 40 sekunders belastning och 60 sekunders tomgång. Långvarig drift är tillåten för praktisk användning.

** Beroende på träets hårdhet.

*** Uppmätta värden enligt 2000/14/EC & 2005/88/EC (1,60 m höjd, 1 m avstånd) mätto-
lerans +/- 3 dB.

BESKRIVNING

Siffrorna i texten nedan hänvisar till bilderna på sidorna 2-3.

1. Matartratt
2. Nedre del
3. Hjul
4. Fotplatta
5. Ram
6. Uppsamlingspåse
7. Övre del
8. Påskjutare
9. Överbelastningsskydd återställning
10. Strömbrytare
11. Knapp
12. Anslutningsstång
13. Hjulskydd
14. Bladskyddsblock
15. Blad
16. Bladbultar
17. Rambultar
18. Distansbricka
19. Axelbussning
20. Hjulmutter
21. Skiftnyckel
22. Insexnyckel

3. MONTERING

Innan montering ska du alltid stänga av maskinen och dra ut nätkontakten ur vägguttaget.

Montering av hjulen och ramen (bild G och H)

1. Skjut anslutningsstången (12) genom ramens två nedre hål (5).
2. Fäst en distans (18), en axelbussning (19) och ett hjul (3) på vardera sidan av anslutningsstången (12). Dra sedan åt med en mutter (20).
3. Montera hjulkåpan (13) på hjulet (3).
4. Ställ kompostkvarnen upp och ner (på matartratten) och montera ramen (5) i underdelen (2) med 4 rambultar (16) och dra åt med mutternyckeln (21).

4. DRIFT



Innan användning, inspektera alltid visuellt bladen, bladbultarna och klippmontaget för att se om de är slitna eller skadade. Håll strömmen avstängd och frånkopplad från elnätet. Byt slitna eller skadade blad och bultar i set för att behålla balansen.



Om maskinen börjar vibrera onormalt (kontrollera omedelbart):

- inspektera för skada,
- ersätt eller reparera eventuella skadade delar,
- kontrollera för och dra åt eventuella lösa delar.



Stäng omedelbart av maskinen i följande fall:

- när du lämnar maskinen,
- innan du rensar blockeringar eller rensar rännan,
- innan du kontrollerar, rengör eller arbetar på maskinen,
- efter att ha träffat ett främmande föremål. Inspektera maskinen för skador och gör reparationer innan du startar om maskinen och använder den.



Ställ alltid maskinen på ett fast och jämnt underlag. Luta eller flytta aldrig maskinen när motorn är igång.

Igångsättning och avstängning av maskinen



Försök aldrig lägga in handen i matartratten (1). Om du vill trycka in material i skärkammaren använder du påskjutaren (8).

- Innan maskinen startas, fäst uppsamlingspåsen (6) på båda hakarna på huset.
- För att starta maskinen, tryck på strömbrytaren (10). Som säkerhetsfunktion startar inte kompostkvarnen om trattens säkerhetsknapp är helt åtdragen.
- Tryck på strömbrytaren (10) för att stoppa maskinen.

Arbetsinstruktioner

- Grenar och trädgårdsavfall blir svårare att strimla beroende på träets ålder och torrhet. Bästa resultat uppnås genom att strimla färskt, mjukt material med torra grenar.

- Kompostkvarnens lämplighet för kapning av trädgårdsavfall som är mjukt och innehåller stora mängder saft (t.ex. plommon, vått växtavfall) är begränsad. Detta material bör komposteras omedelbart.
- När du strimlar tjocka grenar, använd endast ett litet tryck för att förhindra att kompostkvarnen sätts igen.
- Låt alltid maskinen svalna innan du ställer undan den.



Byt slitna eller skadade delar av säkerhetskål. Använd endast originalreservdelar och tillbehör.

Startskydd

Detta skydd förhindrar oavsiktlig maskinstart efter strömavbrott. När strömmen återställs, slå på maskinen igen.

Överbelastningsskydd

Om maskinen utsätts för hög belastning (t.ex. skär cylindern är blockerad) stannar den efter några sekunder. Stäng av strömmen och ta ut kontakten. Tryck på återställningen för överbelastningsskyddet (9) och starta om den för användning.

Blockeringar

Om maskinen sätts igen stänger du av den på strömbrytaren och tar ut kontakten ur eluttaget. Vrid överdelknappen (11) moturs tills överdelen lossnar. Dra upp den och bort från dig för att visa insidan av kompostkvarnen. Rensa eventuella blockeringar, (var försiktig så att du inte rör vid de vassa knivarna, byt ut överdelen och dra åt igen genom att vrida ratten (11) helt medurs.

5. UNDERHÅLL



Innan rengöring och underhåll ska du alltid stänga av maskinen och dra ut nätkontakten ur vägguttaget.

Din kompostkvarnar har konstruerats för att fungera under lång tid med minimalt underhåll. Kontinuerlig tillfredsställande drift beror på korrekt skötsel och regelbunden rengöring.

- Håll kompostkvarnen ren och torr.
- Använd endast mild såpa och en fuktig trasa för att rengöra kompostkvarnen. Låt aldrig vätska

komma in i verktyget och sänk aldrig ned någon del av verktyget i vätska. Använd inte någon slipande eller lösningsmedelsbaserat rengöringsmedel.

- Var noga med att strimla underhåll, även om strömkällan är bortkopplad, på grund av säkerhetsanordningens låsfunktion kan den fortfarande flyttas.
- Rengör maskinen ordentligt efter varje arbetsstopp för att avlägsna allt damm och skräp och reparera eller byt ut eventuella defekta delar.
- Håll alltid enheten ren, i synnerhet ventilationsöppningarna.
- Spraya aldrig vatten på enhetens kropp!
- Håll alla muttrar, bultar och skruvar åtdragna för att vara säkra på att utrustningen är säker att arbeta med;
- Reparationer och arbeten som anges i denna bruksanvisning får endast utföras av kvalificerad auktoriserad personal.
- Använd endast originaltillbehör och originaldelar. Komponenter för vilka det inte finns några instruktioner för byte bör endast bytas ut av tillverkaren. Användning av andra reservdelar kan leda till olyckor/skador hos användaren. Tillverkaren ansvarar inte för sådana skador.

Byte av skärblad (bild F)



Innan något arbete utförs på maskinen, dra ut stickkontakten ur vägguttaget.



Använd skyddshandskar vid byte av skärblad. Risk för skador om man kommer i kontakt med sågbladet.



Använd endast blad som rekommenderas av tillverkaren.



Byt slitna eller skadade delar av säkerhetsskäl. Använd endast originalreservdelar och tillbehör.

1. Vrid ratten (11) helt moturs för att öppna det övre huset (7).
2. Maskinen har två inbyggda blad (16) som kan bytas ut. Lossa de två bultarna per blad med insexnyckeln (22) för att kunna ta bort kniven.
3. Sätt i ett nytt blad och dra åt de två bultarna.
4. Stäng överdelen och vrid ratten (11) helt medurs.

MILJÖ



Produkten, tillbehören och förpackningen måste sorteras för miljövänlig återvinning.

Endast för EU-länder

Släng inte elverktyg i hushållsavfallet. Enligt det europeiska WEEE-direktivet 2012/19/EU för avfall från elektrisk och elektronisk utrustning och dess tillämpning nationellt ska elverktyg som inte längre kan användas samlas in separat och kasseras på ett miljövänligt sätt.

GARANTI

VONROC produkter är utvecklade enligt högsta kvalitetsstandard och garanteras vara utan defekter både vad gäller material och tillverkning under den period som stipuleras enligt lag med början från ursprungligt inköpsdatum. Om något fel uppstår på produkten under denna period på grund av material- och/eller tillverkningsfel skall VONROC kontaktas direkt.

Följande omständigheter exkluderas från denna garanti:

- Reparationer eller ändringar som gjorts eller försökt göras på maskinen av ett icke auktoriserat servicecenter.
- Normalt slitage.
- Verktyget har missbrukats, använts fel eller underhållits på felaktigt sätt.
- Icke-originalreservdelar har använts.

Detta utgör hela garantin från företaget, antingen uttryckt eller underförstått. Det finns inga andra garantier, uttalade eller underförstådda som gäller utöver ordalydelsen härav, häri, inklusive de uttalade garantierna för säljbarhet och lämplighet för ett särskilt syfte. Under inga omständigheter skall VONROC hållas ansvarig för några oförutsedda eller indirekta skador. Återförsäljarens åtgärder skall begränsas till reparation eller byte av felaktiga enheter eller delar.

Med förbehåll för ändringar i produkten och bruksanvisningen. Specifikationer kan ändras utan förvarning.

1. SIKKERHEDSANVISNINGER

Læs de medfølgende sikkerhedsadvarsler, de supplerende sikkerhedsadvarsler og instruktioner. Såfremt sikkerhedsadvarsler og instruktioner ikke følges, kan dette medføre elektriske stød, brand og/eller alvorlige ulykker. Gem alle sikkerhedsadvarsler og instruktioner til fremtidig reference.

Følgende symboler anvendes i denne brugermanual eller på produktet:



Læs instruktionerne!



Risiko for personskade.



Angivelse af fare, advarsel eller forsigtighed.



Bær øjen- og høreværn.



Sluk maskinen og tag stikket ud af stikkontakten inden justering, rengøring, eller hvis ledningen er viklet ind eller beskadiget.



Pas på, folk i nærheden ikke kommer til skade på grund af fremmedlegemer, der kastes fra maskinen. Advarsel: Hold en sikker afstand fra maskinen, når den anvendes.



Fare: Roterende klinger. Hold dine hænder og fødder væk fra åbningerne, mens maskinen er i drift.



Vent, indtil alle maskindele er standset helt, inden du rører ved dem.



Brug den ikke som et trin.



Udsæt ikke for regn.



Det garanterede lydeffektniveau
LWA = 106 dB(A)



Kassér ikke produktet i en forkert container.



Produktet overholder de gældende sikkerhedsstandarder i de europæiske direktiver.

GENERELLE SIKKERHEDSFORSKRIFTER



Advarsel! Læs alle sikkerhedsadvarsler og alle anvisninger. Hvis alle nedenstående instruktioner ikke følges, kan det resultere i elektrisk stød, brand og/eller alvorlig personskade.

Gem disse instruktioner.

Udtrykket "elektrisk maskine" i alle advarselerne nedenfor henviser til elektriske maskiner/værktøj/redskaber, der via en ledning tilkobles elnettet eller strømforsynes via batteri (accu).

1) Arbejdsområde

- Arbejdsområdet skal være rent og tilstrækkeligt belyst.** Rodede og mørke arbejdsområder giver større risiko for ulykker.
- Brug ikke elektriske maskiner i eksplosive omgivelser, f.eks. i nærheden af brandfarlige væsker, gasser eller støv.** Elektriske maskiner frembringer gnister, som kan antænde støv eller dampe.
- Hold børn og omkringstående på afstand, når der bruges elektriske maskiner.** Hvis man distraheres, kan man miste kontrollen over den elektriske maskine.

2) Elektrisk sikkerhed

- Stik til elektriske maskiner skal passe til stikkontakten. Der må ikke foretages ændringer af stikket. Brug ikke snydepropper til jordede (jordforbundne) elektriske maskiner.** Originale stik og tilsvarende kontakter mindsker risikoen for elektrisk stød.
- Undgå kropskontakt med jordede eller jordforbundne overflader som f.eks. rør, radiatorer, komfurer og køleskabe.** Der er øget risiko for elektrisk stød, hvis kroppen er jordet eller jordforbundet.
- Elektriske maskiner må ikke udsættes for regn eller våde omgivelser.** Hvis der kommer vand i den elektriske maskine, øges risikoen for elektrisk stød.
- Brug ikke ledningen forkert. Brug ikke ledningen til at bære eller trække maskinen og heller ikke for at tage ledningen ud af stikkontakten. Hold ledningen væk fra stærk varme, olie, skarpe kanter og bevægelige dele.** Beskadigede eller filtrede ledninger øger risikoen for elektrisk stød.
- Når en elektrisk maskine bruges udendørs, skal man bruge en forlængerledning, der er beregnet til udendørs brug.** Hvis der bruges en forlængerledning, der er beregnet til udendørs

- brug, mindskes risikoen for elektrisk stød.
- f) **Hvis det ikke kan undgås at bruge et maskinværktøj i et fugtigt miljø, bør du anvende en forsyning, der er beskyttet af en fejlstrømsafbryder (RCD).** Brugen af en RCD reducerer risikoen for elektrisk stød.
- 3) **Personlig sikkerhed**
 - a) **Vær agtpågivende, hold øjnene rette mod det, du laver, og brug almindelig sund fornuft, når du bruger en elektrisk maskine. Brug ikke en elektrisk maskine, hvis du er træt eller er under påvirkning af narkotika, alkohol eller medicin.** Et øjeblikks uopmærksomhed under arbejdet med en elektrisk maskine kan resultere i alvorlig personskade.
 - b) **Brug personligt sikkerhedsudstyr. Brug altid beskyttelsesbriller.** Sikkerhedsudstyr som støvmaske, skridsikre sko, hjelm eller høreværn, brugt når det er nødvendigt, mindsker risikoen for personskade.
 - c) **Undgå utilsigtet start. Sørg for, at der er slukket på afbryderen, før stikket sættes i stikkontakten.** Hvis maskinværktøj bæres med fingeren på kontakten, eller når maskinværktøj strømføres med tændt kontakt, kan der nemt ske ulykker.
 - d) **Fjern justeringsnøgler og tænger, før der tændes for den elektriske maskine.** En tang eller nøgle, der sidder på en roterende del af den elektriske maskine, kan resultere i personskade.
 - e) **Ræk ikke for langt ud. Stå sikkert på fødderne og vær altid i god balance.** Det giver bedre kontrol over maskinen i uventede situationer.
 - f) **Tag passende tøj på. Bær ikke løstsiddende tøj eller smykker. Hold hår, tøj og handsker væk fra bevægelige dele.** Løstsiddende tøj, smykker eller langt hår kan blive grebet af bevægelige dele.
 - g) **Hvis der forefindes tilslutning til støvudsugning og -opsamling, skal man sørge for, at udstyret er tilsluttet og bruges.** Brug disse muligheder for at mindske risikoen for støvrelaterede risici.
 - h) **Lad ikke kendskab opnået gennem hyppig brug af værktøj lade dig blive tilbagelænet og ignorere værktøjsikkerhedsprincipper.** En skødesløs handling kan forårsage alvorlig personskade inden for en brøkdel af et sekund.
 - 4) **Brug og behandling af elektriske maskiner**
 - a) **Brug ikke magt på den elektriske maskine. Brug kun den elektriske maskine til det, den er beregnet til.** Den rette elektriske maskine gør arbejdet bedre og mere sikkert ved den effekt, der er foreskrevet.
 - b) **Brug ikke den elektriske maskine, hvis afbryderen ikke kan tænde og slukke.** En elektrisk maskine, der ikke kan tændes og slukkes på afbryderen, er farlig og skal repareres.
 - c) **Tag stikket ud af stikkontakten før justering, udskiftning af tilbehør, og før den elektriske maskine gemmes væk.** Sådanne forebyggende sikkerhedsforanstaltninger mindsker risikoen for, at den elektriske maskine starter ved et uheld.
 - d) **Elektriske maskiner, der ikke bruges, skal opbevares utilgængeligt for børn, og personer, der ikke har kendskab til den elektriske maskine eller disse instruktioner, må ikke bruge den elektriske maskine.** Elektriske maskiner er farlige i hænderne på uøvede personer.
 - e) **Elektriske maskiner skal vedligeholdes. Check for forkert justering og fastsiddende bevægelige dele, defekte dele og andre ting, som kan påvirke den elektriske maskines korrekte funktion. Hvis den elektriske maskine er beskadiget, skal den repareres før brug.** Mange ulykker skyldes, at elektriske maskiner er dårligt vedligeholdt.
 - f) **Skærende værktøj skal holdes skarpe og rene.** Korrekt vedligeholdt skærende værktøj med skarpe skær kommer ikke så let til at sidde fast og er nemmere at styre.
 - g) **Brug den elektriske maskine, tilbehør, tool-bits osv. i henhold til disse instruktioner og på den måde, som denne specielle maskine er beregnet til, idet man skal tage hensyn til arbejdsforholdene og arbejdet, der skal udføres.** Brug af den elektriske maskine til andet, end den er beregnet til, kan resultere i farlige situationer.
 - h) **Hold håndtag og gribeflader tørre, rene og fri fra olie og fedtstof.** Glatte håndtag og gribeflader giver ikke mulighed for sikker håndtering og kontrol af værktøjet i uventede situationer.
 - 5) **Batteriværktøj anvendelse og vedligeholdelse**
 - a) **Genoplad kun med oplader som er specificeret af fabrikanten.** En oplader som er anvendelig for en type batteripakning kan forårsage brand, når den anvendes med en anden batteripakning.
 - b) **Anvend kun elektroværktøj med særlig egnede batteripakninger.** Anvendelse af enhver anden batteripakning kan give risiko for ulykker og brandfare.

- c) Når batteripakning ikke anvendes, holdes det altid på afstand af enhver metalgenstand såsom papirklips, mønter, nøgler, søm eller andre små metal genstande der kan lave en forbindelse fra én terminal til en anden. Ved at kortslutte batteriterminalerne sammen kan forårsage brandfare.
- d) Under dårlige forhold kan væske udløbe fra batteriet; undgå kontakt med dette. Hvis kontakt alligevel forekommer, skylles der med vand. Hvis væske kommer i øjnene, skal der øjeblikkeligt søges lægehjælp. Væske som udløber fra batteriet kan forårsage irritationer og forbrændinger.
- e) Brug ikke en batteripakke eller et værktøj, der er beskadiget eller modificeret. Beskadede eller modificerede batterier kan udvise uforudsigelig adfærd, hvilket resulterer i brand, eksplosion eller risiko for personskade.
- f) Undlad at udsætte en batteripakke eller et værktøj for åben ild eller for høj temperatur. Udsættelse for åben ild eller temperatur over 130 °C kan forårsage eksplosion. BEMÆRK Temperaturen „130 °C“ kan erstattes af temperaturen „265 °F“.
- g) Følg alle opladningsinstruktioner, og oplad ikke batteripakken eller værktøjet uden for temperaturintervallet specificeret i instruktionerne. Forkert opladning eller opladning ved temperaturer uden for det specificerede interval kan beskadige batteriet og øge risikoen for brand.
- 6) Service
- a) Få foretaget service på dit maskinværktøj af en kvalificeret reparatør, der kun bruger identiske udskiftningsdele. Dette sikrer, at maskinværktøjet fortsat er sikkert at bruge.
- b) Foretag aldrig service på beskadigede batteripakker. Service af batteripakker bør kun udføres af producenten eller autoriserede serviceudbydere.

YDERLIGERE SIKKERHEDSINSTRUKTION FOR KOMPOSTKVÆRN

- Brug kun denne kompostkværn, når en fejlstrømsafbryder med en aktiveringsstrøm på ikke mere end 30 mA er i kredsløbet.
- Hvis der anvendes en forlængerledning, skal du sørge for, at den er til udendørs brug og markeret som sådan. Den anbefalede størrelse forlængerledning er af typen H05VV-F eller H05RN-F, som ikke er lettere end 1,5 mm² og højst 10 meter lang.

- Rul din forlængerledning helt ud før brug for at forhindre overophedning og tab af plæneklipe-rens effektivitet. Når du rydder ledningen væk, skal du rulle den forsigtigt for at undgå knæk.
- Apparatet er ikke beregnet til at blive anvendt af personer (herunder børn) med reducerede fysiske, sansemæssige eller mentale evner samt med manglende erfaring eller viden, med mindre de bliver overvåget eller instrueret i brugen af apparatet af en person, der er ansvarlig for deres sikkerhed. Børn bør overvåges for at sikre, at de ikke leger med apparatet.



ADVARSEL: Efter maskinen slukkes, bliver skæreklingen ved med at rotere i nogle få sekunder til.

- Inspicer hyppigt skæreklingens tilstand. En beskadiget klinge skal udskiftes med det samme. Følg alle de påkrævede foranstaltninger, når du udskifter klingen.
- Inden brug bør du se forsynings- og forlængerledningen efter for tegn på slid eller skader. Hvis ledningen bliver beskadiget under brug, skal du afbryde ledningen fra forsyningen med det samme.
- UNDLAD AT BERØRE LEDNINGEN, INDEN DU FRAKOBLER FORSYNINGEN.
- Forbind aldrig en beskadiget ledning til forsyningen, og berør aldrig en beskadiget ledning, før den er afbrudt fra forsyningen. En beskadiget ledning kan føre til kontakt med strømførende dele.
- Brug ikke kompostkværnen, hvis ledningen er beskadiget eller slidt.
- Læs instruktionerne omhyggeligt. Vær bekendt med kontrolfunktionerne og udstyrets korrekte anvendelse. Undgå at bruge maskinen i dårlige vejrforhold, især når der er risiko for lyn. Brug altid solidt fodtøj og lange bukser, mens du bruger maskinen.
- Hold børn og kæledyr på god afstand af arbejdsområdet, og lad aldrig børn anvende dette apparat eller på noget som helst tidspunkt røre ved netledningen eller forlængerledningen. Når det ikke er i brug, skal dette apparat opbevares et sikkert sted uden for børns rækkevidde.



ADVARSEL: For at mindske risikoen skal du tage stikket ud af strømforsyningen. Brug kun anbefalet tilbehør efter behov, da der ellers kan opstå personskade.

- Brug altid høreværn og sikkerhedsbriller, mens du anvender maskinen.
- Bær støvbeskyttelse, hvis kværningen forårsager, at støv eller partikler kommer op.
- Klæd dig fornuftigt på til arbejdet - ikke noget løst tøj, der kan sætte sig fast i apparatets bevægelige dele.
- Træk langt hår ad vejen, og brug en beskyttelsehjelm.
- Brug kun maskinen på et åbent område (f.eks. Ikke tæt på en væg eller anden fast genstand) og på en fast, jævn overflade.
- Brug ikke maskinen på en asfalteret overflade eller en grusoverflade, hvor udkastet materiale kan forårsage personskade.
- Se grundigt kompostkværnen efter for løse eller beskadigede dele før hver anvendelse. Brug ikke enheden, før der er foretaget justeringer eller reparationer.
- Udskift beskadigede eller ulæselige etiketter.
- Brug kun en vandtæt, helt udrullet forlængerledning, der er egnet til udendørs brug.
- Dette apparat er kun beregnet til udendørs brug.
- Udsæt ikke dette apparat for regn.
- Brug kun kompostkværnen i dagslys eller god kunstig belysning.
- Lad aldrig apparatet være uden opsyn.
- Brug ikke apparatet i et område, hvor det kan forårsage en eksplosion eller brand - hold det væk fra brandfarlige væsker og gasser.
- Beskyt mod elektrisk stød - undgå kropskontakt med jordforbundne overflader, dvs. metalporte, stolper eller andre metalgenstande i arbejdsområdet.
- Træk aldrig i apparatet ved at holde i strømledningen. Køb det eller bær det med to hænder.
- Lad aldrig strømledningen ligge på eller over skarpe genstande, der kan gennembore den udvendige isolering. Udfør et visuelt eftersyn af strømledningen før brug, og hvis den er beskadiget, skal den udskiftes af et særligt servicecenter. Brug ikke apparatet, hvis ledningen er beskadiget.
- Hold strømledningen væk fra varme, frost, olie, opløsningsmidler og skarpe genstande eller kanter.
- Brug ikke dette apparat, hvis du bruger stærk medicin, er utilpas eller har drukket alkohol.
- Forsøg aldrig at stikke hånden ind i fødetragten. Brug en skubbepind, hvis du vil skubbe materiale ind i skærekammeret.
- Inden du starter maskinen, skal du kigge ind i fødekammeret for at sikre, at det er tomt.
- Hold dit ansigt og din krop væk fra tilførselsåbningen.
- Lad ikke hænder eller andre dele af kroppen eller tøj komme ind i fødekammeret, udførings-skakten eller i nærheden af bevægelige dele.
- Hold altid en god balance og et godt fodfæste. Ræk dig ikke for langt. Stå aldrig på et højere niveau end bunden af maskinen, når du indfører materiale i den.
- Hold dig altid væk fra udføringsområdet, når du bruger denne maskine.
- Når du indfører materiale i maskinen, skal du være utroligt forsigtig, at metaldele, sten, flasker, dåser eller andre fremmedlegemer ikke er inkluderet.
- Hvis skæremekanismen rammer eventuelle fremmedlegemer, eller hvis maskinen begynder at udsende en usædvanlig støj eller vibrationer, skal du slukke for strømkilden og lade maskinen stoppe (den elektriske enhed kobles fra strømforsyningen):
 - *se efter for skader*
 - *se efter for løse dele og stram dem*
 - *få udskiftet eller repareret beskadigede dele, og brug kun producentens anbefalede reservedele og tilbehør.*
- Lad ikke behandlet materiale samle sig i udføringsområdet. Dette kan forhindre korrekt udføring og kan resultere i tilbageslag af materiale gennem tilførselsåbningen.
- Hvis maskinen bliver tilstoppet, skal du slukke for strømkilden (den elektriske enhed afbrydes fra strømforsyningen), inden du fjerner snavs. Hold strømkilden fri for snavs og andre akkumuleringer for at forhindre beskadigelse af strømkilden eller mulig brand. Husk at brug af startmekanismen på motordrevne maskiner stadig vil få skæreklingerne til at bevæge sig.
- Hold alle afskærmninger og deflektorer på plads og i god stand.
- Undlad at manipulere med strømkildens regulatorindstillinger. Regulatoren styrer den sikre maksimale driftshastighed og beskytter strømkilden og alle bevægelige dele mod skader forårsaget af overhastighed. Kontakt autoriseret service, hvis der er et problem.
- Transporter ikke denne maskine, mens strømkilden er tændt.

- Sluk for strømkilden, og afbryd strømmen, når du forlader arbejdsområdet.
- Vip ikke maskinen, mens strømkilden er tændt.
- Din kompostkværn skal placeres på fast, lige grund.
- Placer aldrig kompostkværnen på dens bagside, forside eller dens sider - hold den altid oprejst.
- Overbelast ikke kompostkværnen - fød den langsomt, og lad den arbejde i sit eget tempo.
- Inden start skal du sørge for, at indløbsrummet er tomt. Start ikke kompostkværnen med materiale i kompostkværnen.
- Medmindre der er en nødsituation, bør du ikke slukke for kompostkværnen, før den er helt tom for materiale.
- Fjern sten eller andre hårde genstande fra planterødderne inden makulering.
- Hold godt fast i store kviste eller fine grene, når du indfører dem i kompostkværnen.
- Lad på intet tidspunkt udgangen blive tildækket eller blokeret.

Elektrisk sikkerhed



Kontroller altid, at strømforsyningens spænding svarer til spændingen på typeskiltet.

- Brug ikke maskinen, hvis strømkablet eller stikket er beskadiget.
- Brug kun forlængerledninger, der passer til maskinens spænding og som har en minimumtykkelse på 1.5 mm². Hvis du anvender en kabeltromle, skal kablet altid rulles helt ud.

2. MASKINOPLYSNINGER

Tilsigtet brug

Denne kompostkværn er udviklet til at hakke grene, kviste og andre beskæringer. Det kan let reduceres til flis til genbrug. Kompostkværnen er beregnet til små til mellemstore private haver derhjemme, og den er ikke beregnet til kraftig brug.

TEKNISKE SPECIFIKATIONER

Model nr.	GS502AC
Spænding	230-240 V~
Frekvens	50 Hz
Strøm	2500 W (P40)*
Hastighed uden last	4200/min.
Maks. skærediameter	45 mm**
Opsamlingsposens kapacitet	45 L
Vægt	10.3 kg
Beskyttelsesniveau	IPX4
Beskyttelsestype	Klasse II
Lydeffektniveau (Lwa)	106 dB***

* P40 40% driftstilstand betyder en belastningsprofil på 40 sekunders belastning og 60 sekunders tomgang. Langvarig drift er tilladt til praktisk brug.

** Afhængig af træets hårdhed

*** Målte værdier fundet i henhold til 2000/14/EF og 2005/88/EF (1,60 m højde, 1 m distance) måletolerance +/- 3 dB

BESKRIVELSE

Tallene i den følgende tekst korresponderer med afbildningen på side 2-3.

1. Fødetragt
2. Nedre del
3. Hjul
4. Fodpude
5. Ramme
6. Opsamlingspose
7. Øvre del
8. Skubbepind
9. Nulstilling af overbelastningsbeskyttelse
10. Tænd/sluk-kontakt
11. Knap
12. Forbindelsesstang
13. Hjuldæksel
14. Klingeforsvaringsblok
15. Klinge
16. Klingebolte
17. Rammebolte
18. Afstandsstykke
19. Akselbøsning
20. Hjulmøtrik
21. Skruenøgle
22. Sekskantnøgle

3. MONTERING



Inden montering, skal maskinen altid slukkes, og netstikket skal tages ud af stikkontakten.

Montering af hjulene og rammen (fig. G og H)

1. Skub forbindelsesstangen (12) gennem de to nederste huller i rammen (5).
2. Sæt et afstandsstykke (18), en akselbøsning (19) og et hjul (3) på hver side af forbindelsesstangen (12). Stram derefter med en møtrik (20).
3. Monter hjuldækslet (13) på hjulet (3).
4. Placer kompostkværnen på hovedet (på føde-tragten) og placer rammen (5) på den nedre del (2) ved hjælp af 4 rammebolte (16), og stram med skruenøglen (21).

4. BETJENING



Inden brug skal du altid se det visuelt efter for at kontrollere, at klinger, klingebolte og skæresamling ikke er slidte eller beskadigede. Hold strømmen slukket, og frakobl strømforsyningen. Udskift slidte eller beskadigede klinger og bolte i sæt for at bevare balancen.



Hvis maskinen begynder at vibrere unormalt (undersøg med det samme):

- se efter for skader,
- udskift eller reparer beskadigede dele,
- se efter for løse dele og stram dem.



Sluk straks for maskinen i følgende tilfælde:

- hver gang du forlader maskinen,
- inden du rydder tilstopninger eller renser skakten,
- inden du kontrollerer, rengør eller arbejder på maskinen,
- efter du rammer et fremmedlegeme. Se maskinen efter for skader, og foretag reparationer, inden du genstarter og betjener maskinen.



Stil altid maskinen på en solid og jævn overflade. Du må aldrig vippe eller flytte maskinen, når motoren er i drift.

Tænd/sluk maskinen



Forsøg aldrig at stikke hånden ind i føde-tragten (1). Brug en skubbepind (8), hvis du vil skubbe materiale ind i skærekammeret.

- Inden du starter maskinen, skal du sætte opsamlingsposen (6) fast på begge husets kroge.
- Start maskinen ved at trykke på ON-kontakten (10). Som sikkerhedsfunktion starter kompostkværnen ikke, medmindre tragstens sikringsknap er strammet helt.
- Stop maskinen ved at trykke på OFF-kontakten (10).

Arbejdsinstruktioner

- Grene og beskæringsaffald bliver sværere at makulere afhængigt af træets alder og tørhed. De bedste resultater opnås ved at makulere friske, bløde stiklinger med tørre grene.
- Kompostkværnens egnethed til at skære haveaffald, der er blødt og indeholder store mængder saft (fx kærnefrugt, vådt planteaffald), er begrænset. Dette materiale bør komposteres med det samme.
- Ved makulering af tykke grene skal du kun anvende let tryk for at forhindre blokering af kompostkværnen.
- Lad altid maskinen køle af, før den stilles til opbevaring.



Udskift slidte eller beskadigede dele af hensyn til sikkerhed. Brug kun originale reservedele og tilbehør.

Genstartbeskyttelsen

Denne beskyttelse forhindrer utilsigtet start af maskinen efter strømsvigt. Tænd for maskinen igen, når strømmen kommer tilbage.

Overbelastningsbeskyttelse

Hvis maskinen udsættes for høj belastning (f.eks. hvis skærecylindern blokeres), standser den efter nogle få sekunder. Sluk for strømmen og træk stikket ud. Tryk på nulstillingen af overbelastningsbeskyttelse (9) og genstart den derefter til brug.

Blokeringer

Hvis maskinen på noget tidspunkt bliver blokeret, skal du slukke for den ved lysnettet og tage stikket ud af stikkontakten. Drej knappen på den øvre del

(11) mod uret, indtil den øvre del bliver løs. Træk den op og væk fra dig for at afsløre kompostkværnens inderside. Fjern eventuelle tilstopninger (pas på ikke at røre ved de skarpe klinger), sæt den øvre del på plads og stram igen ved at dreje knappen (11) helt med uret.

5. VEDLIGEHOLDELSE



Inden rengøring og vedligeholdelse skal maskinen altid slukkes, og netstikket skal tages ud af stikkontakten.

Din kompostkværn er udformet til at fungere i lang tid med mindst mulig vedligeholdelse. En kontinuerlig tilfredsstillende drift afhænger af korrekte vedligeholdelse og regelmæssige rengøring.

- Hold kompostkværnen ren og tør.
- Brug kun mild sæbe og en fugtig klud til at rengøre plæneklipperen. Lad aldrig væske komme ind i værktøjet, og nedsænk aldrig nogen del af værktøjet i væske. Brug ikke et slibende eller opløsningsmiddelbaseret rengøringsmiddel.
- Ved vedligeholdelse af kompostkværnen skal du være opmærksom på, at selvom strømkilden bliver slået fra pga. sikkerhedsanordningens låsefunktion, kan kompostkværnen stadig flyttes.
- Efter hver arbejdsperiode skal maskinen rengøres grundigt for at fjerne alt støv og snavs, og eventuelle defekte dele skal repareres eller udskiftes.
- Hold altid enheden, især lufthullerne, ren.
- Sprøjt aldrig vand på selve enheden!
- Hold alle møtrikker, bolte og skruer stramme for at sikre, at udstyret er i sikker driftstilstand;
- Reparationer og arbejde, der er specificeret i denne vejledning, må kun udføres af kvalificeret autoriseret personale.
- Brug kun originalt tilbehør og originale reservedele. Komponenter, der ikke har instruktioner om til udskiftning, bør kun udskiftes af producenten. Brug af andre reservedele kan resultere i ulykker/personskade af brugeren. Producenten er ikke ansvarlig for sådanne skader.

Udskiftning af skæreklingerne (fig. F)



Før du udfører arbejde på maskinen, skal du tage netstikket ud af strømforsyningen.



Bær beskyttelseshandsker, når du udskifter skæreklingerne. Fare for personskade, når skæreklingen berøres.



Brug kun klinger, der anbefales af producenten.



Udskift slidte eller beskadigede dele af hensyn til sikkerhed. Brug kun originale reservedele og tilbehør.

1. Drej knappen (11) helt mod uret for at åbne huset (7).
2. Maskinen har to indbyggede klinger (16), som kan udskiftes. Løsn de to bolte pr. klinge med sekskantnøglen (22) for at kunne tage klingen af.
3. Indsæt en ny klinge og stram de to bolte.
4. Luk den øvre del og drej knappen (11) helt med uret.

MILJØ



Defekte og/eller bortskaffede elektriske og elektroniske apparater skal afleveres på en passende genbrugsstation.

Kun for EU-lande

Smid ikke el-værktøjer ud sammen med almindeligt affald. I henhold til de europæiske direktiver 2012/19/EU for elektrisk og elektronisk udstyr og er implementeret i henhold til nationale rettigheder, el-værktøj som ikke længere er anvendelig skal indsamles separat og genbruges på en miljøvenlig måde.

GARANTIVILKÅR

VONROC produkter er udviklet efter de højeste kvalitetsstandarder og er garanteret fri for mangler i såvel materialer som udførelse i den lovpligtige periode, der starter fra datoen for det oprindelige køb. Skulle produktet udvikle nogen fejl i løbet af denne periode på grund af defekte materialer og/eller fabrikationsfejl, så kontakt VONROC direkte.

De følgende forhold er udelukket fra denne garanti:

- Reparationer og eller rettelser er blevet foretaget eller forsøgt foretaget på maskinen af uautoriserede servicecentre.
- Normal slitage.

- Værktøjet har været misligholdt, misbrugt eller vedligeholdt forkert.
- Ikke originale reservedele er blevet anvendt.

Dette udgør den eneste garanti fra virksomheden enten udtrykt eller underforstået. Der er ingen andre garantier udtrykt eller underforstået, som strækker sig ud over forsiden heraf, heri, herunder underforståede garantier for salgbarhed og egnethed til et bestemt formål. VONROC vil under ingen omstændigheder være ansvarlig for hændelige skader eller følgeskader. Forhandlernes afhjælpningsmidler vil være begrænsede til reparation eller udskiftning af fejlbehæftede enheder eller dele.

Produktet og brugermanualen kan ændres. Specifikationer kan ændres uden forudgående varsel.

1. INSTRUKCJE BEZPIECZEŃSTWA

Przeczytać dołączone ostrzeżenia dotyczące bezpieczeństwa, dodatkowe ostrzeżenia dotyczące bezpieczeństwa oraz instrukcję. Nieprzestrzeganie ostrzeżeń dotyczących bezpieczeństwa oraz instrukcji może prowadzić do porażenia prądem, pożaru i/lub poważnych obrażeń ciała. Zachować ostrzeżenia dotyczące bezpieczeństwa oraz instrukcje na przyszłość.

Następujące symbole są umieszczone w instrukcji obsługi lub na produkcie:



Przeczytać instrukcję obsługi!



Ryzyko obrażeń ciała.



Oznacza niebezpieczeństwo, ostrzeżenie lub konieczność zwrócenia uwagi.



Korzystać ze środków ochrony wzroku i słuchu.



Wyłączyć maszynę i wyjąć wtyczkę z gniazda sieciowego przed rozpoczęciem regulacji lub czyszczenia oraz w razie splątania lub uszkodzenia kabla.



Uważać, aby nie spowodować obrażeń ciała osób postronnych wywołanych ciałami obcymi wyrzucenymi w powietrze przez maszynę. Ostrzeżenie: Zachować bezpieczny odstęp od maszyny podczas obsługi.



Niebezpieczeństwo: Wirujące ostrza. Trzymać dłonie i stopy z dala od otworów podczas pracy maszyny.



Poczekać na całkowite zatrzymanie się części maszyny przed ich dotknięciem.



Nie używać jako stopnia.



Nie wystawiać na działanie deszczu.



Gwarantowany poziom mocy akustycznej LWA = 106 dB(A)



Nie wyrzucać produktu do nieodpowiednich pojemników.



Produkt spełnia wymogi odpowiednich norm bezpieczeństwa podanych w dyrektywach UE.

OGÓLNE ZALECENIA DOTYCZĄCE BEZPIECZEŃSTWA



UWAGA! Przeczytać wszystkie ostrzeżenia dotyczące bezpieczeństwa i wszystkie instrukcje. Nieprzestrzeganie wszystkich poniższych instrukcji może być przyczyną porażenia prądem, pożaru i/lub poważnych obrażeń.

Zachowaj poniższe instrukcje.

Termin „elektronarzędzia akumulatorowe” we wszystkich ostrzeżeniach zamieszczonych poniżej odnosi się do elektronarzędzi akumulatorowych zasilanych sieciowo (przewodowych) lub elektronarzędzi akumulatorowych działających na baterie (beprzewodowych).

1) Obszar roboczy

- Obszar roboczy należy utrzymywać w czystości.** Powinien on być dobrze oświetlony. Nieład i złe oświetlenie mogą z łatwością doprowadzić do wypadku.
- Nie korzystaj z elektronarzędzi akumulatorowych w warunkach, w których łatwo może dojść do wybuchu, np. w obecności łatwopalnych cieczy, gazów lub pyłu.** Podczas pracy elektronarzędzi akumulatorowych powstają iskry, które mogą doprowadzić do zapłonu pyłu lub oparów.
- Dzieci i inne osoby postronne powinny pozostać w bezpiecznej odległości od pracującego urządzenia.** Rozproszenie uwagi może spowodować utratę kontroli nad urządzeniem.

2) Bezpieczeństwo związane z elektrycznością

- Wtyczki elektronarzędzi akumulatorowych muszą być odpowiednie do danego gniazda. Pod żadnym pozorem nie należy modyfikować wtyczki w jakikolwiek sposób. Nie należy używać adapterów, które uzimniają elektronarzędzia akumulatorowe.** Stosowanie wtyczek nie poddanych modyfikacjom oraz odpowiednich gniazd zmniejsza ryzyko porażenia prądem.
- Należy unikać bezpośredniego kontaktu fizycznego z powierzchniami uziemionymi, takimi jak rury, grzejniki, kuchenki, lodówki.** Ryzyko porażenia prądem jest większe, jeśli ciało osoby obsługującej urządzenie jest uziemione.

- Nie należy wystawiać elektronarzędzi akumulatorowych na działanie deszczu lub wilgoci.** Dostanie się wody do wnętrza elektronarzędzia akumulatorowego zwiększy ryzyko porażenia prądem.
- Nie należy używać przewodu w niewłaściwy sposób. Pod żadnym pozorem nie należy wykorzystywać przewodu do przenoszenia lub ciągnięcia elektronarzędzia akumulatorowego, ani do jego odłączania od sieci. Przewodu nie należy wystawiać na działanie ciepła, smarów. Powinien on znajdować się w bezpiecznej odległości od ostrych krawędzi i części ruchomych.** Przewody uszkodzone lub poplątane zwiększają ryzyko porażenia prądem.
- Podczas korzystania z elektronarzędzia akumulatorowego na wolnym powietrzu, należy używać przewodu przedłużacza przystosowanego do użytku na zewnątrz.** Używanie przewodu nadającego się do użytku na wolnym powietrzu zmniejsza ryzyko porażenia prądem.
- Jeśli obsługa elektronarzędzia w wilgotnym miejscu jest nieunikniona, użyć zasilania wyposażonego w wyłącznik różnicowo-prądowy.** Użycie wyłącznika różnicowo-prądowego zmniejsza ryzyko porażenia prądem.

3) Bezpieczeństwo osoby obsługującej urządzenie

- Przez cały czas należy mieć się na baczności, uważać na to, co się robi, a w czasie obsługi elektronarzędzia akumulatorowego postępować mając na uwadze zdrowy rozsądek. Urządzenia nie powinny obsługiwać osoby zmęczone lub będące pod wpływem narkotyków, alkoholu lub leków.** Chwila nieuwagi w czasie obsługi elektronarzędzi akumulatorowych może być przyczyną powstania poważnych obrażeń ciała.
- Należy korzystać ze sprzętu ochronnego oraz zawsze nosić okulary ochronne.** Sprzęt ochronny, jak na przykład maska przeciwpyłowa, antypoślizgowe obuwie ochronne, kask lub słuchawki ochronne używane we właściwych sytuacjach pozwoli na zmniejszenie ryzyka obrażeń ciała.
- Unikać niezamierzonego uruchomienia. Przed podłączeniem urządzenia do sieci, zawsze sprawdzić, czy przełącznik znajduje się w pozycji „wyłączony”.** Przenoszenie elektronarzędzi z palcem na przełączniku lub włączonych elektronarzędzi z przełącznikiem w położeniu włączenia jest bardzo niebezpieczne i może powodować wypadki.

- d) **Przed włączeniem elektronarzędzia akumulatorowego należy usunąć z niego wszystkie klucze nastawcze lub maszynowe.** Pozostawienie klucza zamocowanego na jednej z części obrotowych urządzenia może spowodować powstanie obrażeń ciała.
- e) **Nie należy sięgać ponad urządzeniem. Przez cały czas należy zachować odpowiednią równowagę i zapewnić odpowiednie oparcie dla stóp.** Pozwoli to na lepsze kontrolowanie urządzenia w nieoczekiwanych sytuacjach.
- f) **Należy nosić odpowiednie ubranie. Do pracy z urządzeniem nie wkładać luźnych ubrań ani biżuterii. Włosy, ubranie i rękawiczki trzymać z dala od części ruchomych.** Luźne części ubrania, biżuteria lub długie włosy mogą zostać wciągnięte przez części ruchome.
- g) **Jeśli w urządzeniu przewidziano elementy służące do odprowadzania i zbierania pyłu, należy sprawdzić, czy są podłączone, i czy działają we właściwy sposób.** Korzystanie z tego typu elementów pozwala ograniczyć ryzyko związane z wydzielaniem pyłu podczas pracy urządzenia.
- h) **Nie zezwalać na to, aby rutyna związana z częstym korzystaniem z narzędzi powodowała nadmierną pewność siebie i ignorowanie zasad bezpiecznego korzystania z narzędzi.** Nieodpowiedzialne działanie może spowodować poważne obrażenia ciała w ułamku sekundy.
- 4) Obsługa i konserwacja elektronarzędzi akumulatorowych**
- a) **Urządzenia nie należy przeciążać. Należy korzystać z narzędzia odpowiedniego do danego typu pracy.** Odpowiednio dobrane urządzenie pozwoli na lepsze i bezpieczniejsze wykonanie pracy, we właściwym dla urządzenia tempie.
- b) **Z elektronarzędzia akumulatorowego nie należy korzystać, jeśli nie można go włączyć i wyłączyć przy pomocy przełącznika.** Urządzenie, którego nie można kontrolować używając przełącznika jest niebezpieczne i powinno być oddane do naprawy.
- c) **Przed przystąpieniem do regulowania elektronarzędzi akumulatorowych, wymiany akcesoriów lub przygotowywania urządzeń do okresu przechowywania, należy odłączyć wtyczkę od źródła zasilania.** Tego typu środki ostrożności zmniejszają ryzyko przypadkowego uruchomienia urządzenia.
- d) **Nieczynne elektronarzędzia akumulatorowe należy przechowywać poza zasięgiem dzieci. Nie należy pozwolić, aby osoby nie znające urządzenia lub niniejszych instrukcji obsługi użyły urządzenia.** Elektronarzędzia akumulatorowe w rękach niekompetentnych użytkowników stanowią zagrożenie.
- e) **Elektronarzędzia akumulatorowe należy utrzymywać w dobrym stanie technicznym. Należy sprawdzać, czy części ruchome są właściwie założone, i czy się nie zacinają. Należy również sprawdzać, czy jakieś części nie są uszkodzone oraz sprawdzać wszelkie inne elementy, które mogą wpłynąć na pracę urządzeń. Jeśli urządzenie jest uszkodzone, przed przystąpieniem do jego użytkowania, należy je naprawić.** Częstą przyczyną wypadków jest zły stan techniczny urządzeń.
- f) **Narzędzia służące do cięcia powinny być naostrzone i utrzymywane w czystości.** Jeśli narzędzia służące do cięcia, które posiadają ostre krawędzie tnące, są właściwie konserwowane, istnieje mniejsze prawdopodobieństwo ich zacinania się. Ponadto, łatwiej je kontrolować.
- g) **Elektronarzędzia akumulatorowego, akcesoriów, nakładek, itp. należy używać zgodnie z niniejszymi instrukcjami oraz w sposób właściwy dla danego rodzaju urządzenia, z uwzględnieniem warunków pracy oraz jej rodzaju.** Używanie urządzenia niezgodnie z przeznaczeniem może prowadzić do powstania sytuacji niebezpiecznych.
- h) **Uchwyty należy utrzymywać w stanie suchym, czystym i niezabrudzonym olejem lub smarem.** Śliskie uchwyty i powierzchnie do chwytania nie pozwalają na bezpieczne obchodzenie się z narzędziem i panowanie nad nim w nieoczekiwanych sytuacjach.
- 5) Użytkowanie i konserwacja urządzenia zasilanego akumulatorami**
- a) **Ładować tylko przy użyciu ładowarki określonej przez producenta.** Ładowarka przewidziana dla jednego rodzaju akumulatorów stwarza ryzyko pożaru w przypadku użycia jej z innym zestawem akumulatorów.
- b) **Należy używać jedynie akumulatorów przeznaczonych dla danego urządzenia.** Użycie innych akumulatorów stwarza ryzyko wystąpienia obrażeń ciała lub pożaru.

- c) **Kiedy akumulatorki nie są używane, należy przechowywać je z dala od przedmiotów metalowych, takich jak spinacze do papieru, monety, klucze, gwoździe, śruby lub inne niewielkie przedmioty metalowe, które mogłyby spowodować zwarcie pomiędzy stykami.** Zwarcie styków akumulatorka może spowodować pożar.
- d) **W przypadku przeciążenia z akumulatorka może wycieknąć płyn; nie należy go dotykać. W razie przypadkowego kontaktu przemyć skórę wodą. W przypadku dostania się płynu do oczu należy skontaktować się z lekarzem.** Płyn z akumulatorka może powodować podrażnienia lub oparzenia.
- e) **Nie używać uszkodzonego ani zmodyfikowanego akumulatora lub narzędzia.** Uszkodzone lub zmodyfikowane akumulatory mogą działać w sposób nieoczekiwany, co może powodować pożar, wybuch lub ryzyko obrażeń ciała.
- f) **Nie wystawiać akumulatora ani narzędzia na działanie płomienia lub zbyt wysokiej temperatury.** Narażenie na działanie płomienia lub temperatury powyżej 130°C może spowodować wybuch. UWAGA Temperaturę „130 °C“ można zastąpić temperaturą „265 °F“.
- g) **Przestrzegać wszystkich instrukcji ładowania i nie ładować akumulatora ani narzędzia poza zakresem temperatury podanym w instrukcji.** Nieprawidłowe ładowanie lub ładowanie w temperaturze poza podanym zakresem może spowodować uszkodzenie akumulatora i zwiększyć ryzyko pożaru.
- 6) **Serwis**
- a) **Zlecać serwisowanie elektronarzędzie wykwalifikowanemu technikowi stosującymi jedynie części zamienne identyczne z oryginalnymi.** Zapewni to zachowanie bezpieczeństwa elektronarzędzia.
- b) **Nigdy nie serwisować uszkodzonych akumulatorów.** Serwisowanie akumulatorów może przeprowadzać wyłącznie producent lub autoryzowany serwis.

DODATKOWA INSTRUKCJA BEZPIECZEŃSTWA DLA ROZDRABNIACZA DO GAŁĘZI

- Używać tego rozdrabniacza tylko wtedy, gdy w obwodzie znajduje się wyłącznik różnicowoprądowy (RCD) o prądzie zadziałania nie większym niż 30 mA.
- W przypadku korzystania z przedłużacza należy sprawdzić, czy jest on przeznaczony do użytku

na zewnątrz i oznakowany jako taki. Zalecany typ przedłużacza to H05VV-F lub H05RN-F o średnicy przewodu nie mniejszej niż 1,5 mm² o długości maksymalnie 10 m.

- Przed użyciem należy całkowicie rozwinąć przedłużacz, aby zapobiec przegrzaniu i utracie wydajności maszyny. Po zakończeniu pracy należy ostrożnie zwinąć kabel, aby go nie skrócić.
- Urządzenie nie jest przeznaczone do użytku przez osoby (w tym dzieci) o ograniczonych zdolnościach fizycznych, czuciowych lub umysłowych albo nieposiadające odpowiedniego doświadczenia i wiedzy, chyba że zostały one odpowiednio poinstruowane co do korzystania z urządzenia i są pod nadzorem osoby odpowiedzialnej za ich bezpieczeństwo. Dzieci muszą pozostawać pod opieką, aby nie mogły bawić się maszyną.



OSTRZEŻENIE: Po wyłączeniu maszyny ostrze tnące obraca się jeszcze przez kilka sekund.

- Należy często sprawdzać stan ostrza tnącego. Uszkodzone ostrze należy natychmiast wymienić. Podczas wymiany ostrza należy zachować wszystkie wymagane środki ostrożności.
- Przed użyciem należy sprawdzić przewód zasilający i przedłużacz pod kątem śladów uszkodzeń lub starzenia. Jeśli przewód ulegnie uszkodzeniu podczas użytkowania, należy natychmiast odłączyć go od sieci.
- **NIE DOTYKAĆ PRZEWODU PRZED ODŁĄCZENIEM GO OD ŹRÓDŁA ZASILANIA.**
- Nie podłączać uszkodzonych kabli do zasilania ani nie dotykać uszkodzonych przewodów przed odłączeniem od zasilania. Uszkodzony przewód może doprowadzić do kontaktu z elementami znajdującymi się pod napięciem.
- Nie używać urządzenia, jeśli jego przewód jest uszkodzony lub przetarty.
- Należy dokładnie przeczytać instrukcje. Należy dokładnie zapoznać się ze sposobem obsługi oraz właściwego korzystania ze sprzętu. Unikać używania tej maszyny w złych warunkach pogodowych, szczególnie wtedy, gdy występuje ryzyko wyładowań atmosferycznych. Zawsze nosić solidne obuwie i długie spodnie podczas pracy tą maszyną.
- Nie pozwalać dzieciom i zwierzętom na zbliżanie się do miejsca pracy i nigdy nie pozwalać dzieciom na obsługiwanie tego urządzenia lub

dotykaniu kabla zasilającego lub przedłużacza. Kiedy urządzenie nie jest używane, przechowywać je poza zasięgiem dzieci.



OSTRZEŻENIE: Aby zmniejszyć ryzyko, należy odłączyć wtyczkę od zasilania i stosować wyłącznie zalecane akcesoria, w przeciwnym razie może dojść do obrażeń ciała.

- Nosić ochronniki słuchu i okulary ochronne cały czas podczas pracy tą maszyną.
- Jeśli rozdrabnianie powoduje wyrzucanie w powietrze pyłu lub cząstek, należy nosić osłonę przeciwpyłową.
- Ubierać się odpowiednio do pracy - nie nosić luźnej odzieży, która mogłaby zostać pochwycona przez ruchome części urządzenia.
- Związać długie włosy w bezpiecznym miejscu i nosić ochronne nakrycie głowy.
- Używać maszyny tylko na otwartej przestrzeni (np. nie w pobliżu ściany lub innego nieruchomego obiektu) oraz na twardej i poziomej powierzchni.
- Nie używać maszyny na powierzchni utwardzonej lub pokrytej żwirem, gdzie wyrzucony materiał mógłby spowodować obrażenia ciała.
- Przed każdym użyciem należy dokładnie sprawdzić, czy rozdrabniacz nie zawiera luźnych lub uszkodzonych części. Nie używać urządzenia do czasu dokonania regulacji lub naprawy.
- Wymieniać uszkodzone lub nieczytelne naklejki i oznaczenia.
- Używać wyłącznie wodoodpornego i całkowicie rozwiniętego przedłużacza przeznaczonego do użytku na wolnym powietrzu.
- To urządzenie jest przeznaczone wyłącznie do użytku na wolnym powietrzu.
- Nie narażać tego urządzenia na deszcz.
- Korzystać z rozdrabniacza wyłącznie w świetle dnia lub przy dobrym oświetleniu sztucznym.
- Nigdy nie pozostawiać urządzenia bez nadzoru.
- Nie używać urządzenia w miejscu, gdzie mogłoby spowodować wybuch lub pożar - trzymać je z dala od łatwopalnych cieczy i gazów.
- Chronić przed porażeniem prądem - zapobiegać styczności ciała z uziemionymi powierzchniami, tzn. metalowymi bramkami, słupkami lub innymi metalowymi przedmiotami w miejscu pracy.
- Nigdy nie ciągnąć urządzenia za przewód zasilający. Przewozić je na kółkach lub przenosić oburącz.
- Przewód zasilający nie może leżeć na ostrych przedmiotach, które mogą przebić zewnętrzną izolację. Przed użyciem przewodu zasilającego i w przypadku jego uszkodzenia należy skontrolować przewód zasilający i w razie potrzeby zlecić jego wymianę w specjalistycznym serwisie. Nie używać urządzenia, jeśli przewód jest uszkodzony.
- Chronić przewód zasilający przed gorącem, mrozem, olejami, rozpuszczalnikami i wszelkimi ostrymi krawędziami lub przedmiotami.
- Nie używać tego urządzenia, jeśli jest się pod wpływem silnych leków, ma się złe samopoczucie lub jest w stanie po spożyciu alkoholu.
- Nigdy nie próbować wkładać dłoni do kosza załadunkowego. Aby wepchnąć materiał do komory rozdrabniającej, użyć popychacza.
- Przed uruchomieniem maszyny zajrzeć do komory załadunkowej, aby sprawdzić czy jest pusta.
- Trzymać twarz i ciało z dala od otworu załadunkowego.
- Nie wkładać dłoni ani innych części ciała lub odzieży do komory załadunkowej, rynny wylotowej ani nie umieszczać ich w pobliżu żadnych ruchomych części.
- Zawsze utrzymywać właściwe podparcie dla stóp i równowagę. Nie sięgać za daleko. Nigdy nie stawać wyżej niż podstawa maszyny podczas wkładania do niej materiału.
- Zawsze stawać z dala od strefy wylotowej podczas użytkowania maszyny.
- Podczas wprowadzania materiału do maszyny zachować szczególną ostrożność, aby nie wprowadzić do maszyny kawałków metalu, kamieni, butelek i innych ciał obcych.
- Jeśli mechanizm tnący uderzy w ciało obce lub maszyna zacznie wydawać nietypowe dźwięki lub drgać, odłączyć źródło zasilania i poczekać na zatrzymanie maszyny (odłączenie urządzenia elektrycznego od zasilania):
 - *sprawdzić pod kątem uszkodzeń*
 - *sprawdzić pod kątem niedokręconych części i dokręcić je w razie potrzeby*
 - *zlecić wymianę lub naprawę uszkodzonych części i stosować wyłącznie zalecane przez producenta części zamienne i akcesoria.*
- Nie pozwalać, aby przetworzony materiał gromadził się w strefie wylotowej. Może to uniemożliwić prawidłowe wyrzucanie materiału i powodować jego wydostawanie się przez otwór załadunkowy.

- Jeśli maszyna się zatka, wyłączyć źródło zasilania (odłączyć urządzenie elektryczne od zasilania) przed usunięciem resztek. Utrzymać źródło zasilania wolne od resztek i innych nagromadzonych zanieczyszczeń, aby zapobiegać uszkodzeniu źródła zasilania lub ewentualnemu pożarowi. Pamiętać, że włączenie mechanizmu uruchamiającego w maszynach zasilanych silnikiem nadal spowoduje ruch ostrzy tnących.
- Utrzymać wszystkie osłony i przegrody zamontowane i w dobrym stanie roboczym.
- Nie modyfikować ustawień regulatora źródła zasilania. Regulator kontroluje bezpieczną, maksymalną prędkość roboczą i chroni źródło zasilania oraz wszystkie ruchome części przed uszkodzeniami spowodowanymi zbyt wysoką prędkością obrotową. Skorzystać z usług autoryzowanego serwisu w razie wystąpienia problemu.
- Nie transportować maszyny, gdy źródło zasilania pracuje.
- Wyłączać źródło zasilania i odłączać je przed każdym opuszczeniem miejsca pracy.
- Nie przechylać maszyny, gdy źródło zasilania pracuje.
- Rozdrabniacz musi stać na solidnym i poziomym podłożu.
- Nigdy nie kłaść rozdrabniacza na tylnej lub przedniej ścianie lub bokach - urządzenie musi zawsze stać pionowo.
- Nie przeciążać rozdrabniacza - wprowadzać do niego materiał powoli i pozwalać mu pracować z normalną prędkością.
- Przed uruchomieniem dopilnować, aby komora wprowadzania była pusta. Nie uruchamiać rozdrabniacza, jeśli znajduje się w nim materiał.
- Jeśli nie wystąpiła sytuacja awaryjna, nie wyłączać rozdrabniacza, dopóki nie będzie całkowicie opróżniony z materiału.
- Usuwać kamienie i inne twarde przedmioty z korzeni roślin przed rozdrobnieniem.
- Trzymać duże gałązki i cienkie gałęzie mocno podczas wprowadzania ich do rozdrabniacza.
- Nie dopuszczać do zasłaniania lub zatykania otworu wylotowego.

Bezpieczeństwo elektryczne



Zawsze sprawdzać, czy napięcie zasilania jest zgodne z napięciem podanym na tabliczce znamionowej.

- Nie używać urządzenia, jeśli jego kabel zasilający jest uszkodzony lub wtyczka kabla zasilającego jest uszkodzona.
- Używać wyłącznie przedłużaczy przystosowanych do pracy z parametrami zasilania urządzenia o minimalnej grubości 1,5 mm². W przypadku korzystania z przedłużacza w zwoju, zawsze całkowicie rozwinąć zwój.

2. INFORMACJE O MASZYNIE

Przeznaczenie

Ten rozdrabniacz jest przeznaczony do rozdrabniania gałęzi i gałązek oraz innych materiałów pozostałych po przycinaniu roślin. Rozdrabniacz przetwarza łatwo takie materiały na wióry, które można wykorzystać. Rozdrabniacz jest przeznaczony do użytku domowego w małych i średnich ogrodach prywatnych i nie jest przeznaczony do pracy intensywnej.

DANE TECHNICZNE

Nr. modelu	GS502AC
Napięcie	230-240 V~
Częstotliwość	50 Hz
Moc	2500 W (P40)*
Obroty bez obciążenia	4200/min.
Maks. średnica cięcia	45 mm**
Pojemność torby na wióry	45 L
Waga	10.3 kg
Stopień ochrony	IPX4
Typ ochrony	Klasa II
Moc akustyczna (Lwa)	106 dB***

* Tryb pracy P40 40% oznacza obciążenie przez 40 sekund i 60 sekund pracy bez obciążenia. Praca przez długi okres jest dopuszczalna w zastosowaniach praktycznych.

** W zależności od twardości drewna.

*** Zmierzone wartości uzyskane zgodnie z 2000/14/WE oraz 2005/88/WE (1,60 m wysokości, odległość 1 m) tolerancja pomiarowa +/- 3 dB.

OPIS

Liczy w tekście odnoszą się do rysunków na stronach 2-3.

1. Kosz załadunkowy
2. Dolny korpus
3. Koło
4. Nóżka
5. Rama
6. Torba na wióry
7. Górny korpus
8. Popychacz
9. Przycisk resetowania zabezpieczenia przed przeciążeniem
10. Włącznik
11. Pokrętko
12. Poprzeczka
13. Osłona koła
14. Zespół osłony ostrza
15. Ostrze
16. Śruby ostrza
17. Śruby ramy
18. Podkładka
19. Tuleja osi
20. Nakrętka koła
21. Klucz do nakrętek
22. Klucz imbusowy

3. MONTAŻ



Przed rozpoczęciem montażu zawsze wyłączać maszynę i wyjmować wtyczkę zasilania sieciowego z gniazdka.

Montaż kół i ramy (rys. G i H)

1. Przepchnąć poprzeczkę (12) przez dwa dolne otwory w ramie (5).
2. Zamontować na obu końcach poprzeczki (12) podkładkę (18), tuleję osi (19) oraz koło (3). Następnie założyć i dołączyć nakrętkę (20).
3. Założyć osłonę koła (13) na koło (3).
4. Postawić rozdrabniacz spodem do góry (na koszu załadunkowym) i przymocować ramę (5) do dolnego korpusu (2) 4 śrubami ramy (16), dokręcając je kluczem do nakrętek (21).

4. OBSŁUGA



Przed użyciem zawsze sprawdzić wzrokowo, czy noże, śruby noży i zespół tnący nie są zużyte lub uszkodzone. Urządzenie powinno być wyłączone i odłączone od źródła zasilania. Należy wymieniać zużyte lub uszkodzone noże i śruby w kompletach, aby zachować równowagę.



Jeśli maszyna zacznie nietypowo wibrować (sprawdzić niezwłocznie):

- sprawdzić ją pod kątem uszkodzeń,
- wymienić lub naprawić wszelkie uszkodzone części,
- sprawdzić pod kątem niedokręconych części i dokręcić je w razie potrzeby.



Niezwłocznie wyłączać maszynę w następujących przypadkach:

- w przypadku pozostawienia maszyny bez nadzoru,
- przed usunięciem zatoru lub odetkaniem kanału,
- przed rozpoczęciem kontroli, czyszczenia i napraw lub regulacji maszyny,
- po uderzeniu maszyną w ciało obce. Sprawdzić maszynę pod kątem uszkodzeń i przeprowadzić naprawę przed ponownych uruchomieniem i użyciem.



Zawsze stawiać maszynę na solidnej i równej powierzchni. Nigdy nie przechylać ani nie przemieszczać maszyny, gdy jej silnik pracuje.

Włączanie i wyłączanie maszyny



Nigdy nie próbować wkładać dłoni do kosza załadunkowego (1). Aby wepchnąć materiał do komory rozdrabniającej, użyć popychacza (8).

- Przed uruchomieniem maszyny przymocować torbę na wióry (6) do obu haków na obudowie.
- Aby włączyć maszynę, wcisnąć włącznik (10) w położenie włączone (ON). Funkcja bezpieczeństwa nie pozwala na uruchomienie rozdrabniacza, jeśli pokrętko mocujące kosz załadunkowy nie jest całkowicie dokręcone.
- Aby zatrzymać maszynę, nacisnąć włącznik (10) w położenie wyłączone (OFF).

Instrukcja eksploatacji

- Trudność rozdrabniania gałęzi i resztek z przycinania roślin zależy od typu, wieku i wilgotności drewna. Najlepsze rezultaty uzyskuje się, rozdrabniając świeżo ścięty materiał z suchymi gałęziami.
- Przydatność rozdrabniacza do cięcia resztek roślin, które są miękkie i zawierają dużo soków (np. owoce jadalne, mokre resztki roślinne) jest ograniczona. Takie materiały należy od razu kompostować.
- Podczas rozdrabniania grubych gałęzi wywierać tylko lekki nacisk, aby uniknąć zatkania rozdrabniacza.
- Zawsze poczekać, aż maszyna ostygnie przed rozpoczęciem jej przechowywania.



Ze względów bezpieczeństwa wymieniać zużyte lub uszkodzone części. Stosować wyłącznie oryginalne części zamiennne i akcesoria.

Ochrona przed ponownym uruchomieniem

Ta funkcja zapobiega przypadkowemu uruchomieniu maszyny po przerwie w zasilaniu. Po przywróceniu zasilania należy maszynę ponownie włączyć.

Ochrona przed przeciążeniem

Jeśli wystąpi duże obciążenie maszyny (np. cylinder tnący zostanie zablokowany), maszyna zatrzyma się po kilku sekundach. Wyłączyć zasilanie i odłączyć wtyczkę zasilania. Nacisnąć przycisk resetowania zabezpieczenia przed przeciążeniem (9) i ponownie uruchomić maszynę.

Zatory

Jeśli w dowolnej chwili maszyna się zatka, wyłączyć jej zasilanie i wyjąć wtyczkę z gniazda zasilania. Obracać pokrętkę na górny korpusie (11) przeciwnie do wskazówek zegara, aż do poluzowania górnego korpusu. Pociągnąć korpus górny do góry i z dala od siebie, aby odsłonić wnętrze rozdrabniacza. Usunąć wszelkie zatory (uważać, aby nie dotknąć ostrych ostrzy), założyć górny korpus na miejsce i dokręcić go ponownie, obracając pokrętkę (11) do oporu przeciwnie do wskazówek zegara.

5. KONSERWACJA



Zawsze odłączać narzędzie od zasilania sieciowego przed rozpoczęciem przeprowadzania jakichkolwiek prac konserwacyjnych.

Rozdrabniacz do gałęzi jest przeznaczona do długotrwałej pracy z minimalną konserwacją. Długotrwała udana praca zależy od odpowiedniej konserwacji i regularnego czyszczenia.

- Należy dbać o to, by rozdrabniacz był czysty i suchy.
- Do czyszczenia urządzenia używać jedynie łagodnego mydła i wilgotnej szmatki. Nie dopuszczać, by do urządzenia dostał się jakkolwiek płyn, nie należy też zanurzać żadnej części urządzenia w płynie. Do czyszczenia nie należy używać żadnych środków ściernych ani rozpuszczalników.
- Podczas przeprowadzania prac konserwacyjnych dotyczących rozdrabniacza pamiętać, że mimo wyłączenia źródła zasilania, rozdrabniacz nadal może się poruszyć z uwagi na funkcję blokującą zabezpieczenia.
- Po każdej pracy oczyścić dokładnie maszynę w celu usunięcia pyłu i resztek oraz zlecić naprawę lub wymianę uszkodzonych części.
- Utrzymywać urządzenie, a szczególnie jego otwory wentylacyjne, w czystości.
- Nigdy nie przyskać wodą na korpus urządzenia!
- Dbać o prawidłowe dokręcenie wszystkich nakrętek i śrub, aby zapewnić sprawność;
- Naprawy i prace opisane w niniejszej instrukcji mogą wykonywać wyłącznie wykwalifikowani i uprawnieni pracownicy.
- Używać wyłącznie oryginalnych akcesoriów i części zamiennych. Komponenty, dla których nie podano instrukcji wymiany, może wymienić wyłącznie producent. Użycie innych części zamiennych może prowadzić do wypadków/ obrażeń ciała użytkownika. Producent nie ponosi odpowiedzialności za takie obrażenia.

Wymiana ostrzy tnących (rys. F)



Przed rozpoczęciem wykonywania jakichkolwiek prac dotyczących maszyny, odłączyć wtyczkę zasilania od gniazda zasilania.



Podczas wymiany ostrzy tnących nosić rękawice ochronne. Ryzyko obrażeń ciała w wyniku dotknięcia ostrza.



Używać wyłącznie ostrzy zalecanych przez producenta.



Ze względów bezpieczeństwa wymieniać zużyte lub uszkodzone części. Stosować wyłącznie oryginalne części zamienne i akcesoria.

1. Przekręcić pokrętko (11) do oporu przeciwnie do wskazówek zegara, aby otworzyć obudowę (7).
2. Maszyna jest wyposażona w dwa ostrza (16) podlegające wymianie. Poluzować dwie śruby na każde ostrze za pomocą klucza imbusowego (22), aby zdemontować ostrza.
3. Włożyć nowe ostrza i dokręcić po dwie śruby na każde ostrze.
4. Zamknąć górny korpus i przekręcić pokrętko (11) do oporu zgodnie ze wskazówkami zegara.

SRODOWISKO



Uszkodzone i/lub niepotrzebne urządzenia elektryczne lub elektroniczne podlegają zbiórce w odpowiednich punktach recyklingu.

Tylko kraje WE

Nie wyrzucać elektronarzędzi wraz z odpadami z gospodarstw domowych. Zgodnie z dyrektywa 2012/19/WE dotycząca zużytych urządzeń elektrycznych i elektronicznych oraz jej wdrożeniem do prawodawstwa krajowego, elektronarzędzia, które już nie nadają się do użytku, podlegają oddzielnej zbiórce oraz utylizacji w sposób przyjazny dla środowiska.

GWARANCJA

Produkty VONROC są wytwarzane zgodnie z najwyższymi standardami jakości i producent udziela gwarancji na wady materiałowe i wady wykonania na okres wymagany prawem, licząc od dnia zakupu. Jeśli wystąpi usterka produktu w tym okresie spowodowana wadą materiałową i/lub wadą wykonania, proszę bezpośrednio skontaktować się ze sprzedawcą VONROC.

Następujące okoliczności powodują unieważnienie gwarancji:

- Przeprowadzono naprawy lub modyfikacje narzędzia w serwisie innym lub autoryzowany lub podjęto ich próby;
- Normalne zużycie nie jest objęte gwarancją;
- Narzędzie było używane niezgodnie z przeznaczeniem, źle z nim się obchodzono lub było nieprawidłowo konserwowane;
- Użyto części zamiennych innych niż oryginalne.

Niniejsza gwarancja to wyłączna gwarancja producenta i nie obowiązują żadne inne wyrażone ani dorozumiane gwarancje. Nie obowiązują żadne inne wyrażone ani dorozumiane gwarancje o zakresie przekraczającym niniejszą gwarancję, co obejmuje dorozumiane gwarancje przydatności do sprzedaży i przydatności do określonego celu. W żadnym przypadku firma VONROC nie ponosi odpowiedzialności za straty przypadkowe lub wynikowe. Zadośćuczynienie sprzedawcy jest ograniczone do naprawy lub wymiany niezgodnych urządzeń lub części.

Produkt i instrukcja obsługi podlegają zmianom. Dane techniczne podlegają zmianom bez uprzedzenia.

1. INSTRUCȚIUNI DE SIGURANȚĂ

Citiți avertizările de siguranță, avertizările de siguranță suplimentare și instrucțiunile. Nerespectarea avertizărilor de siguranță poate cauza producerea de electrocutări, incendii și/sau răniri grave. Păstrați avertizările de siguranță și instrucțiunile pentru referințe viitoare.

În manualul de utilizare sau pe produs se utilizează următoarele simboluri:



Citiți instrucțiunile!



Pericol de rănire personală.



Pericol, avertisment sau precauție indicată.



Purtați echipament de protecție pentru ochi și urechi.



Opriiți și scoateți ștecherul de la rețea înainte de reglare, de curățare sau în cazul în care cablul este încurcat sau deteriorat.



Aveți grijă ca persoanele din jur să nu fie rănite prin proiectarea de obiecte din mașină. Atenționare: Păstrați o distanță sigură față de mașină atunci când funcționează.



Pericol: Lame rotative. Țineți mâinile și picioarele la distanță față de deschideri în timp ce mașina funcționează.



Așteptați până când toate componentele mașinii s-au oprit complet înainte de a le atinge.



Nu utilizați pentru a vă urca.



Nu expuneți la ploaie.



*Nivelul de putere sonoră garantat
LWA = 106 dB(A)*



Nu scoateți din uz produsul în containere neadecvate.



Produsul este în conformitate cu standardele de siguranță aplicabile din directivele europene.

REGULI GENERALE DE PROTECȚIA MUNCII



AVERTISMENT! Citiți toate avertizările de siguranță și toate instrucțiunile. Respectarea tuturor instrucțiunilor prezentate în cele ce urmează este obligatorie pentru evitarea riscurilor de electrocutare, incendiu și/sau de vătămări grave.

Păstrați aceste instrucțiuni.

Termenul "sculă electrică" ce apare în toate avertismentele de mai jos se referă la scula electrică alimentată la priză (prin cablu de alimentare) sau la scula electrică alimentată prin acumulatori (fără cablu de alimentare).

1) Spațiul de lucru

- Mențineți spațiul de lucru curat și bine iluminat.** Spațiile de lucru dezordonate și întunecate predispun la accidente.
- Nu utilizați sculele electrice în medii explozive, ca de exemplu în prezența unor materiale inflamabile cum ar fi lichide, gaze sau praf.** Sculele electrice produc scântei, care pot aprinde praful sau vaporii.
- În timpul lucrului cu o sculă electrică, nu lăsați copiii sau privitorii să se apropie.** Micșorarea atenției vă poate face să pierdeți controlul.

2) Securitatea din punct de vedere electric

- Ștecherul sculelor electrice trebuie să se potrivească în priza de alimentare. Nu modificați ștecherul niciodată și în nici un fel. Nu folosiți ștechere de adaptare pentru sculele electrice cu legare la pământ (impământate).** Ștecherele nemodificate și prizele de alimentare corespunzătoare vor reduce riscul de electrocutare.
- Evitați contactul corporal cu suprafețele împământate, cum ar fi conducte, radiatoare, plite sau frigidere.** Există un risc sporit de electrocutare în cazul în care corpul dumneavoastră este legat la pământ.
- Nu expuneți sculele electrice la ploaie sau la umezeală.** În urma intrării apei într-o sculă electrică va crește riscul de electrocutare.
- Nu forțați cablul de alimentare. Nu folosiți niciodată cablul de alimentare pentru transportul, tragerea sau scoaterea din priză a sculei**

electrice. Țineți cablul de alimentare departe de sursele de căldură, petrol, vârfuri ascuțite sau de piese în mișcare. Cablurile de alimentare deteriorate sau încălcite duc la creșterea riscului de electrocutare.

- e) **Atunci când folosiți o sculă electrică în exterior, utilizați un prelungitor corespunzător lucrului în exterior.** Utilizarea unui prelungitor corespunzător lucrului în exterior reduce riscul de electrocutare.
- f) **În cazul în care operarea unei unelte electrice într-un spațiu cu umiditate nu poate fi evitată, utilizați o alimentare cu dispozitiv de protecție la curent rezidual (RCD).** Utilizarea unui dispozitiv RCD reduce riscul electrocutării.

3) Securitatea personală

- a) **Atunci când folosiți o sculă electrică fiți concentrat, fiți atent la ceea ce faceți și acționați conform bunului simț. Nu folosiți o sculă electrică atunci când sunteți sub influența drogurilor, alcoolului sau a medicamentelor.** Un moment de neatenție în timpul utilizării sculelor electrice poate duce la vătămări personale grave.
- b) **Utilizați echipamentul de protecție corporală. Folosiți întotdeauna ochelari de protecție.** Folosirea echipamentelor de protecție conform condițiilor de lucru, ca de exemplu măști de praf, încălțăminte de protecție anti-alunecare, căști de protecție sau antifoane va reduce vătămrile personale.
- c) **Evițați pornirea accidentală. Înainte de a introduce scula electrică în priza de alimentare, asigurați-vă că aveți comutatorul de acționare în poziția oPRiT (off).** Transportarea uneltelor electrice ținând degetul pe întrerupător sau alimentarea cu tensiune a uneltelor electrice ce au întrerupătorul în poziția pornit înlesnesc producerea.
- d) **Înainte de a pune în funcțiune scula electrică, îndepărtați toate penele sau cheile de reglare.** O cheie sau o pană care au fost lăsate atașate de o parte rotativă a sculei electrice poate duce la vătămări personale.
- e) **Nu vă întindeți pentru a ajunge la punctul de lucru.** Mențineți permanent un contact ferm al piciorului și un echilibru stabil. În acest fel puteți controla mai bine scula electrică în situații neprevăzute.

- f) **Îmbrăcați-vă în mod adecvat. Nu purtați haine largi sau bijuterii.** Părul, hainele și mânușile trebuie menținute departe de părțile în mișcare. Hainele largi, părul și bijuteriile pot fi agățate și prinse de părțile în mișcare.
- g) **Dacă dispozitivele sunt construite pentru a fi conectate la echipamente de extragere și colectare a prafului, asigurați-vă că aceste echipamente sunt conectate și funcționează corect.** Folosirea unor astfel de echipamente poate reduce pericolele legate de praf.
- h) **Nu lăsați ca obișnuința obținută prin utilizarea frecventă a uneltelor să vă permită să deveniți impasibil și să ignorați principiile de siguranță în utilizarea uneltelor.** O acțiune neglijentă poate provoca accidente grave într-o fracțiune de secundă.

4) Utilizarea și întreținerea sculei electrice

- a) **Nu forțați scula electrică. Folosiți scula electrică adecvată operațiunii care trebuie efectuată.** O sculă electrică adecvată își va efectua mai bine și mai în siguranță sarcina deoarece este folosită la parametrii pentru care a fost proiectată.
- b) **Nu folosiți scula electrică în cazul în care comutatorul de acționare nu realizează pornirea și oprirea acesteia.** Orice sculă electrică ce nu poate fi comandată cu ajutorul comutatorului de acționare este periculoasă și trebuie reparată.
- c) **Înainte de a efectua orice fel de reglaje, schimbări ale accesoriilor sau pe perioada depozitării sculelor electrice deconectați ștecherul de la sursa de energie electrică.** Astfel de măsuri preventive reduc riscul de pornire accidentală a sculei electrice.
- d) **Nu depozitați sculele electrice neutilizate la îndemâna copiilor și nu permiteți persoanelor care nu sunt familiare cu sculele electrice sau cu prezentele instrucțiuni să le utilizeze.** Sculele electrice sunt periculoase atunci când sunt utilizate de către persoane neinstruite.
- e) **Întrețineți sculele electrice. Verificați alinierea sau prinderea părților în mișcare, verificați componentele sculei pentru a vă asigura că nu sunt sparte și, de asemenea, verificați orice alte situații care ar putea afecta funcționarea sculei electrice. Dacă scula electrică se defectează, reparați-o înainte de a o refolosi.** Sculele electrice întreținute necorespunzător duc la producerea multor accidente.

- f) **Mențineți sculele așchietoare ascuțite și curate.** Sculele așchietoare întreținute corespunzător, având muchiile tăietoare ascuțite, se înțepenesc mai greu și sunt mai ușor de controlat.
- g) **Utilizați sculele electrice, accesoriile și burghiile etc., în conformitate cu prezentele instrucțiuni și în mod corespunzător tipului de sculă electrică utilizat, ținând seama de condițiile de lucru și de sarcina care trebuie efectuată.** Utilizarea unor scule electrice pentru operații diferite de cele pentru care acestea au fost proiectate poate duce la situații periculoase.
- h) **Țineți mânerul și suprafețele de prindere uscate, curate și lipsite de ulei și unsoare.** Mânere și suprafețele de prindere alunecoase nu permit manipularea și controlul uneltei în de siguranță în situații neașteptate.
- 5) **Utilizarea și întreținerea uneltei cu acumulator**
- a) **Încărcați din nou numai cu încărcătorul specificat de producătorul.** Încărcătorul potrivit cu un tip de acumulator poate crea riscul incendiului dacă este utilizat cu un alt acumulator.
- b) **Folosiți instrumentele electrice numai cu acumuloare proiectate specific.** Utilizarea oricăror alte acumuloare pot crea riscul accidentului personal și al incendiului.
- c) **În timp ce acumulatorul nu este utilizat, feriți-l de alte obiecte metalice cum ar fi cleme de birou, monede, chei, cuie, șuruburi ori alte obiecte metalice mărunte care ar putea crea conexiunea de la un terminal până la celălalt.** Scurtcircuitarea terminalelor baterii poate cauza arsuri sau incendiu.
- d) **Ca urmare a folosirii necorespunzătoare, din acumulator se poate scurge lichid. Evitați contactul cu acesta. În caz de contact accidental, clătiți cu apă. Dacă lichidul intră în contact cu ochi, pe lângă măsurile amintite consultați și un medic.** Lichidul care se scurge din acumulator poate provoca iritarea pielii sau arsuri.
- e) **Nu folosiți un acumulator sau o unealtă care este deteriorată sau modificată.** Acumulatorii deteriorați sau modificați pot avea un comportament imprevizibil care rezultă în foc, explozie sau risc de rănire.
- f) **Nu expuneți acumulatorul sau unealta la foc sau temperatură excesivă.** Expunerea la foc sau temperaturi de peste 130 °C poate provoca explozie. OBSERVAȚIE Temperatura „130 °C” poate fi înlocuită cu temperatura „265 °F”.
- g) **Respectați toate instrucțiunile de încărcare și nu încărcați acumulatorul sau unealta în afara intervalului de temperatură specificat în instrucțiuni.** Încărcarea necorespunzătoare sau la temperaturi în afara domeniului specificat poate deteriora acumulatorul și poate crește riscul de incendiu.
- 6) **Service**
- a) **Prevedeți repararea uneltei de lucru de către o persoană calificată, folosind exclusiv piese de schimb identice.** Astfel, vă asigurați că este păstrată siguranța uneltei electrice.
- b) **Niciodată nu serviți acumulatorii deteriorați.** Servisarea acumulatorilor ar trebui să fie efectuată numai de către producător sau furnizorii autorizați de service.

INSTRUCȚIUNI SUPLIMENTARE DE SIGURANȚĂ PRIVIND MAȘINILE DE TOCĂTOR DE CRENGI

- Utilizați acest tocător numai atunci când un dispozitiv de curent rezidual (RCD) cu un curent de declanșare de cel mult 30mA este în circuit.
- Dacă se utilizează un cablu prelungitor, asigurați-vă că este pentru utilizare în aer liber și marcat ca atare. Dimensiunea recomandată a prelungitorului este de tip H05VV-F sau H05RN-F, nu mai mică de 1,5 mm² și o lungime de maximum 10 metri.
- Desfaceți complet cablul prelungitor înainte utilizați pentru a preveni supraîncălzirea și pierderea mașinii de tuns eficiență. Când strângeți cablul, înfășurați-l cu grijă pentru a evita deteriorarea.
- Acest aparat nu este destinat utilizării de către persoane (inclusiv copii) cu capacități fizice, senzoriale sau mentale reduse sau de către persoane lipsite de experiență și cunoștințe, cu excepția cazurilor în care acestea au fost supravegheate și instruite cu privire la utilizarea mașinii de către o persoană responsabilă pentru siguranța lor. Copiii trebuie să fie supravegheați, pentru a vă asigura că nu se joacă cu aparatul.



AVERTISMENT: După oprirea mașinii, lama de tăiere continuă să se rotească pentru a încă câteva secunde.

- Verificați vizual frecvent starea lamei de tăiere. Lamele deteriorate trebuie înlocuite imediat. Respectați toate măsurile de precauție necesare la înlocuirea lamei.

- Înainte de utilizare, verificați pentru a depista semne de deteriorare sau îmbătrânire pe cablul de alimentare și pe cablul prelungitor. În cazul în care cablu se deteriorează în timpul utilizării, deconectați-l imediat de la rețeaua electrică.
 - **NU ATINGEȚI CABLUL ÎNAINTE DE A DECONECTA ALIMENTAREA.**
 - Nu conectați un cablu deteriorat la alimentare și nu atingeți un cablu deteriorat înainte de a-l deconecta de la alimentare. Un cablu deteriorat poate conduce la contactul cu componentele sub tensiune.
 - Nu utilizați tocătoare cazul în care cablurile sunt deteriorate sau uzate.
 - Citiți instrucțiunile cu atenție. Familiarizați-vă cu comenzile și cu utilizarea adecvată a echipamentului. Evitați utilizarea mașinii în condiții meteorologice nefavorabile în special atunci când există un risc de trăsnet. Întotdeauna purtați încălțăminte rezistentă și pantaloni lungi în timpul operării mașinii.
 - Țineți copiii și animalele de companie departe de zona de lucru și nu permiteți niciodată copiilor să folosească acest aparat sau să atingă cablul de alimentare sau cablul prelungitor în orice moment. Atunci când nu este folosit, aparatul trebuie să fie depozitat într-un spațiu ferit de accesul copiilor.
-  **AVERTISMENT:** Pentru a reduce riscul, deconectați ștecherul de la sursa de alimentare, utilizați doar accesoriile recomandate, după caz, altfel pot rezulta vătămări corporale.
- Purtați în permanență ochelari de protecție și încălțăminte adecvată, în timp ce operați mașina.
 - Purtați protecție împotriva prafului dacă acțiunea de tocare determină ridicarea praf sau particule.
 - Îmbrăcați-vă adecvat - fără haine largi care să poată fi prinse în părțile mobile ale mașinii.
 - Legați părul lung în spate și purtați o pălărie de protecție.
 - Utilizați întotdeauna mașina în spații deschise (de ex. nu aproape de perete sau alte obiecte fixe) și pe o suprafață stabilă, orizontală.
 - Nu utilizați mașina pe suprafețe pavate sau acoperite cu pietriș, acolo unde materialul evacuat poate provoca vătămări.
 - Verificați cu atenție tocătorul pentru a verifica dacă nu există piese desfăcute sau deteriorate înainte de fiecare utilizare. Nu utilizați unitatea până când se fac ajustări sau reparații.
 - Înlocuiți etichetele deteriorate și ilizibile.
 - Utilizați doar un cablu prelungitor impermeabil, complet desfăcut, adecvat pentru utilizarea la exterior.
 - Acest aparat este destinat exclusiv la exterior.
 - Nu expuneți aparatul la ploaie.
 - Utilizați tocătorul numai în condiții de lumină diurnă sau de lumină artificială bună.
 - Nu vă lăsați niciodată aparatul nesupravegheat.
 - Nu utilizați aparatul într-o zonă în care ar putea provoca o explozie sau un incendiu - păstrați-l departe de lichide și gaze inflamabile.
 - Protejați-vă împotriva șocurilor electrice - preveniți contactul corpului cu suprafețe împământate, adică porți metalice, stâlpi sau alte obiecte metalice în zona de lucru.
 - Nu trageți niciodată aparatul de cablul de alimentare. Puneți-l pe un cărucior sau transportați-l cu două mâini.
 - Nu lăsați cablul de alimentare să se fie dispus peste obiecte ascuțite care ar putea străpunge izolația exterioară. Efectuați o verificare vizuală a cablului de alimentare înainte de utilizare și, dacă este deteriorat, înlocuiți-l cu un centru de service specializat. Nu utilizați aparatul în cazul în care cablurile sunt deteriorate sau uzate.
 - Păstrați cablul de alimentare ferit de căldură, îngheț, ulei, solvenți sau orice obiecte sau suprafețe cu margini ascuțite.
 - Nu utilizați acest aparat dacă luați medicamente puternice, vă simțiți rău sau ați consumat alcool.
 - Nu încercați niciodată să introduceți mâna în rezervorul de alimentare. Dacă doriți să împingeți materialul în camera de tăiere, utilizați butonul.
 - Înainte de a porni mașina, inspecți camera de alimentare pentru a vă asigura că este goală.
 - Țineți fața și corpul departe de orificiul de admisie.
 - Nu introduceți mâinile sau alte părți ale corpului sau îmbrăcămintea în camera de alimentare, în toboganul de evacuare sau în apropierea componentelor mobile.
 - Mențineți-vă întotdeauna echilibrul și stabilitatea. Nu vă întindeți pentru a lucra. Când introduceți materiale în mașină, nu stați niciodată la un nivel diferit de cel al bazei acesteia.
 - Atunci când utilizați această mașină, stați întotdeauna la distanță de zona de evacuare.

- Când introduceți materiale în mașină fiți foarte atenți să nu introduceți metale, pietre, sticle, cutii sau alte obiecte străine.
- Dacă mecanismul de tăiere lovește obiecte străine sau dacă mașina începe să producă zgomote sau vibrații neobișnuite, opriți alimentarea și lăsați mașina să se oprească (deconectați unitatea electrică de la alimentare):
 - *verificați dacă există daune*
 - *verificați și strângeți piesele slăbite*
 - *înlocuiți sau reparați piesele deteriorate și utilizați numai piesele de schimb și accesoriile recomandate de producător.*
- Nu permiteți materialului prelucrat să se acumuleze în zona de evacuare; acest fapt ar putea împiedica evacuarea adecvată și ar putea determina reaspirarea materialului prin gura de alimentare.
- Dacă mașina se înfundă, opriți sursa de alimentare (deconectați unitatea electrică de la rețea) înainte de a îndepărta resturile. Păstrați sursa de alimentare departe de resturi și alte acumulări pentru a preveni deteriorarea sursei de alimentare sau un posibil incendiu. Țineți cont că acționarea mecanismului de pornire pe mașinile cu motor va provoca în continuare mișcarea mijloacelor de tăiere.
- Păstrați toate apărătoarele și deflectoarele pe poziție și în stare bună de funcționare.
- Nu eliminați setările controlerului sursei de alimentare; controlerul comandă viteza maximă de funcționare sigură și protejează sursa de alimentare și toate părțile în mișcare de daunele cauzate de supratensiune. Solicitați asistență din partea unui service autorizat dacă există o problemă.
- Nu transportați această mașină în timp ce sursa de alimentare este activă.
- Opriți alimentarea și deconectați-vă de la rețea ori de câte ori părăsiți zona de lucru.
- Nu înclinați mașina în timp ce sursa de alimentare este activă.
- Tocătorul dvs. trebuie să fie așezat pe un teren ferm și plan.
- Nu așezați niciodată tocătorul pe spate, față sau lateral - păstrați-l permanent în poziție verticală.
- Nu supraîncărcați tocătorul - alimentați-l încet și lăsați-l să funcționeze în ritmul său.
- Înainte de a pornire, asigurați-vă că gura de admisie este goală. Nu porniți tocătorul cu material în interior.

- Dacă nu există o situație de urgență, nu opriți tocătorul până când nu este complet golit de material.
- Îndepărtați pietrele sau alte obiecte dure din rădăcinile plantelor înainte de tocare.
- Țineți ferm crengile mari sau ramurile subțiri atunci când le introduceți în tocător.
- Nu permiteți niciodată acoperirea sau blocarea gurii de ieșire.

Siguranța electrică



Verificați întotdeauna ca tensiunea de la alimentarea cu energie să corespundă tensiunii de pe plăcuța cu specificații.

- Nu utilizați mașina în cazul în care cablul de alimentare și/sau fișa acestuia sunt deteriorate.
- Folosiți numai cabluri prelungitoare adecvate pentru puterea mașinii cu o grosime minimă de 1,5 mm². Dacă utilizați o bobină de cablu de extensie, derulați întotdeauna complet cablul.

2. INFORMAȚII CU PRIVIRE LA MAȘINĂ

Destinația de utilizare

Acest tocător este realizat pentru a tăia ramuri, crengi și alte materiale asemănătoare. Pot fi ușor reduse la așchii de lemn pentru reutilizare. Tocătorul este destinat grădinilor private mici și mijlocii de acasă, nu este destinat utilizării intensive.

SPECIFICAȚII TEHNICE

Nr. model	GS502AC
Tensiune	230-240 V~
Frecvență	50Hz
Putere	2500 W (P40)*
Turație la mers în gol	4200/min.
Diametru max. de tăiere	45 mm**
Capacitatea sacului colector	45 L
Greutate	10.3 kg
Nivel de protecție	IPX4
Tipul de protecție	Clasa II
Nivelul de putere acustică (Lwa)	106 dB***

- * Modul de funcționare P40 40% înseamnă un profil de încărcare de 40 de secunde de încărcare și 60 de secunde de mers în gol. Utilizarea pe termen lung este permisă pentru utilizare practică.
- ** În funcție de duritatea lemnului.
- *** Valorile măsurate conform 2000/14/CE și 2005/88/CE (1,60 m înălțime, 1 m distanță) toleranță de măsurare / - 3 dB.

DESCRIERE

Numerele din text se referă la diagramele de la paginile 2-3.

1. Rezervor de alimentare
2. Corp inferior
3. Roată
4. Talpă
5. Cadru
6. Sac colector
7. Corp superior
8. Băț de împingere
9. Resetarea protecției la suprasarcină
10. Comutator de pornire/oprire
11. Buton rotativ
12. Stâlp de legătură
13. Capac de roată
14. Bloc de protecție a lamei
15. Lamă
16. Șuruburi de lamă
17. Șuruburi de cadru
18. Distanțier
19. Bucșă de arbore
20. Piuliță de roată
21. Cheie de piulițe
22. Cheie hexagonală

3. ASAMBLAREA



Înainte de asamblare, opriți alimentarea electrică a mașinii și deconectați fișa cablului de alimentare de la priza de rețea.

Asamblarea roților și a cadrului (Fig. G și H)

1. Împingeți stâlpul de legătură (12) prin cele două găuri inferioare ale cadrului (5).
2. Atașați pe fiecare parte a stâlpului de legătură (12) un distanțier (18), o bucșă de arbore (19) și o roată (3). Apoi strângeți cu o piuliță (20).
3. Montați capacul roții (13) pe roată (3).
4. Puneți tocătorul cu capul în jos (pe buncărul de alimentare) și montați cadrul (5) pe corpul infe-

rior (2) folosind cele 4 șuruburi ale cadrului (16) și strângeți folosind cheia pentru piulițe (21).

4. OPERAREA



Înainte de utilizare, verificați întotdeauna vizual pentru a vedea dacă lamele, șuruburile lamelor și ansamblul tăietor nu sunt uzate sau deteriorate. Vă rugăm să țineți alimentarea oprită și să deconectați sursa de alimentare. Înlocuiți lamele și șuruburile uzate sau deteriorate în grup pentru a menține echilibrul.



Dacă mașina începe să vibreze anormal (verificați imediat):

- verificați dacă există daune,
- înlocuiți sau reparați orice piese deteriorate,
- verificați și strângeți piesele libere.



Decuplați imediat mașina în următoarele cazuri:

- de fiecare dată când părăsiți mașina,
- înainte de a șterge blocajele sau de a debloca jgheabul,
- înainte de a verifica, de a curăța sau de a lucra la mașină,
- după lovirea unui corp străin. Inspectați mașina pentru a descoperi eventualele deteriorări și reparați-le înainte de a o utiliza din nou.



Așezați permanent mașina pe o suprafață solidă și uniformă. Nu înclinați și nu deplasați niciodată mașina când motorul este pornit.

Pornirea/oprirea mașinii



Nu încercați niciodată să introduceți mâna în rezervorul de alimentare (1). Dacă doriți să împingeți materialul în camera de tăiere, utilizați bățul de împingere (8).

- Înainte de a porni mașina, atașați sacul de colectare (6) la ambele cârlige ale carcasei.
- Pentru a porni mașina, apăsați comutatorul PORNIT (10). Ca o caracteristică de siguranță, tocătorul nu va porni decât dacă butonul de fixare a rezervorului este strâns complet.
- Pentru a opri mașina, apăsați comutatorul OPRIT (10).

Instrucțiuni de lucru

- Ramurile și deșeurile de tăiere devin mai greu de mărunțit în funcție de vârstă și de gradul de uscare a lemnului. Cele mai bune rezultate se obțin prin mărunțirea crengilor proaspete, moi, cu ramuri uscate.
- Adecvarea tocătorului pentru tăierea deșeurilor de grădină, care sunt mai moi și conțin cantități mari de sevă (de exemplu, ramuri de pomi fructiferi, deșeuri de plante umede) este limitat. Acest material trebuie compostat imediat.
- Când tocați ramurile groase, aplicați doar o presiune ușoară pentru a preveni blocarea tocătorului.
- Lăsați mașina să se răcească înainte de a o depozita.



Înlocuiți piesele uzate sau defecte pentru siguranță. Utilizați numai piese de schimb și accesoriile originale.

Protecția pentru repornire

Această protecție previne pornirea accidentală a mașinii după întreruperea alimentării. Când alimentarea este restabilă, porniți din nou mașina.

Protecția la suprasarcină

Dacă mașina este expusă la o sarcină prea mare (de exemplu, cilindrul de tăiere este blocat), se va opri după câteva secunde. Oprți curentul și scoateți ștecherul. Apăsăți resetarea protecției la suprasarcină (9) și apoi reporniți-o pentru utilizare.

Blocajele

Dacă mașina se blochează în orice moment, deconectați-o de la rețea și scoateți ștecherul din priză. Rotiți butonul corpului superior (11) prea stânga până când corpul superior se desface. Trageți în sus și îndepărtați pentru a elibera interiorul tocătorului. Eliminați orice blocaje, (aveți grijă să nu atingeți lamele ascuțite, puneți la loc corpul superior și strângeți-l din nou rotind butonul (11) complet spre dreapta.

5. ÎNTREȚINERE



Înainte de curățare și întreținere, oprți alimentarea electrică a mașinii și deconectați fișa cablului de alimentare de la priza de rețea.

Tocător de crengi a fost proiectată să funcționeze pe o perioadă lungă de timp, cu o întreținere minimă. Funcționarea continuă satisfăcătoare depinde de îngrijirea corespunzătoare și de curățarea regulată.

- Păstrați tocătorul curat și uscat.
- Pentru a curăța tocătorul, folosiți doar săpun delicat și o cârpă umedă. Nu permiteți niciodată pătrunderea vreunui lichid în mașină și nu scufundați niciodată vreo parte a mașinii în lichid. Nu utilizați nicio soluție de curățare abrazivă sau pe bază de solvenți.
- Când întrețineți tocătorul, rețineți că, deși sursa de alimentare este oprită, datorită funcției de blocare a dispozitivului de siguranță, tocătorul poate fi totuși acționat.
- După fiecare perioadă de lucru, curățați bine mașina pentru a îndepărta praful și resturile și reparați sau înlocuiți orice piese defecte.
- Păstrați dispozitivul, în special orificiile de aerisire, curate în orice moment.
- Nu pulverizați niciodată apă pe corpul mașinii!
- Păstrați toate piulițele, șuruburile și buloanele strânse pentru vă asigura că echipamentul se află în stare bună de funcționare;
- Reparațiile și lucrările specificate în aceste instrucțiuni pot fi efectuate numai de către personal autorizat și calificat.
- Folosiți numai accesoriile originale și piesele de schimb originale. Componentele pentru care nu există instrucțiuni de schimb trebuie înlocuite numai de producător. Utilizarea altor piese de schimb poate duce la accidente/răniri ale utilizatorului. Producătorul nu va fi răspunzător pentru astfel de evenimente.

Înlocuirea lamelor de tăiat (Fig. F)



Înainte de a efectua orice lucrări la mașină, deconectați ștecherul de la sursa de alimentare.



Când înlocuiți lamele de tăiere, purtați mănuși de protecție. Pericol de rănire atunci când atingeți lama.



Utilizați numai lame care sunt recomandate de producător.



Înlocuiți piesele uzate sau defecte pentru siguranță. Utilizați numai piese și accesoriile originale.

1. Rotiți butonul (11) complet spre stânga pentru a deschide carcasa în sus (7).
2. Mașina are două lame (16) care pot fi înlocuite. Slăbiți cele două șuruburi de la fiecare lamă cu cheia hexagonală (22) pentru a putea scoate lama.
3. Introduceți o lamă nouă și strângeți cele două șuruburi.
4. Închideți corpul superior și rotiți butonul (11) complet spre dreapta.

consecvențiale. Reparațiile efectuate de reprezentant trebuie să fie limitate la reparațiile sau la înlocuirea unităților sau a pieselor neconforme.

Produsul și manualul de utilizare pot suferi modificări. Specificațiile se pot modifica fără notificare prealabilă.

MEDIU



Aparatele electrice sau electronice deteriorate și/sau defecte trebuie colectate în locurile de reciclare corespunzătoare.

Numai pentru țările din CE

Nu aruncați echipamentele acționate electric împreună cu gunoiul menajer. Conform Indicației europene 2012/19/EU pentru echipamente electrice și electronice uzate și a implementării sale la nivel național, echipamentele acționate electric scoase din uz trebuie colectate separat și evacuate într-o manieră ecologică.

GARANȚIE

Produsele VONROC sunt realizate la cele mai înalte standarde de calitate și sunt garantate în privința materialelor și a manoperei pentru întreaga perioadă de utilizare în garanție, începând cu data achiziției. În cazul în care produsul se defectează în timpul perioadei de utilizare, contactați direct VONROC.

Următoarele circumstanțe sunt excluse de la această garanție:

- Reparațiile sau modificările care realizate sau care s-au încercat a fi efectuate de centre de service neautorizate.
- Uzura în condiții normale.
- Unealta care a fost abuzată, utilizată într-un mod neglijent sau întreținută în mod inadecvat.
- Folosirea unor piese de schimb neoriginale.

Aceasta acoperă garanția companiei, explicită sau implicită. Nu există alte garanții explicite sau implicite care să se extindă dincolo de cele indicate aici, incluzând garanțiile, vandabilitatea sau adecvarea pentru un anumit scop. În nicio situație, VONROC nu este responsabil pentru daunele incidentale sau

1. INSTRUÇÕES DE SEGURANÇA

Leia os avisos de segurança fornecidos, os avisos de segurança adicionais e as instruções. O não cumprimento dos avisos de segurança e das instruções pode resultar em choque eléctrico, incêndio e/ou ferimentos graves. Guarde os avisos de segurança e as instruções para referência futura.

Os seguintes símbolos são utilizados no manual do utilizador ou no produto:



Leia as instruções!



Risco de ferimentos.



Indica uma situação de perigo, aviso ou cuidado.



Use protecção ocular e auricular.



Desligue o equipamento e retire a ficha da rede eléctrica antes de ajustar, limpar ou no caso do cabo ficar emaranhado ou danificado.



Tenha cuidado para que as pessoas presentes não sofram ferimentos devido à projecção de objectos estranhos pela máquina. Aviso: Quando utilizar a máquina, mantenha uma distância segura.



Perigo: Lâminas rotativas. Quando a máquina estiver em funcionamento, mantenha as mãos e os pés afastados das aberturas.



Só pode tocar nos componentes da máquina depois de todos pararem por completo.



Não utilize o equipamento como escadote.



Não exponha o equipamento à chuva.



Nível de potência sonora garantida LWA = 106 dB(A)



Não elimine o produto em recipientes não adequados.



O produto está em conformidade com as normas de segurança aplicáveis nas directivas europeias.

AVISOS GERAIS DE SEGURANÇA SOBRE FERRAMENTAS ELÉCTRICAS



AVISO! Leia todos os avisos de segurança e instruções. O não cumprimento dos avisos e das instruções pode resultar em choque eléctrico, incêndio e/ou ferimentos graves.

Guarde todos os avisos e instruções para referência futura.

O termo “ferramenta eléctrica” indicado nos avisos diz respeito à ferramenta eléctrica alimentada pela rede de electricidade (com fio) ou à ferramenta eléctrica que funciona com baterias recarregáveis (sem fio).

1) Segurança da área de trabalho

- a) **Mantenha a área de trabalho limpa e devidamente iluminada.** As áreas obstruídas ou escuras são propícias a acidentes.
- b) **Não utilize ferramentas eléctricas em atmosferas explosivas, por exemplo, na presença de líquidos inflamáveis, gases ou pó.** As ferramentas eléctricas produzem faíscas que podem causar ignição de pó ou vapores.
- c) **Quando utilizar uma ferramenta eléctrica, mantenha as crianças e transeuntes afastados.** As distrações podem causar perda de controlo.

2) Segurança eléctrica

- a) **As fichas da ferramenta eléctrica devem corresponder à tomada. Nunca modifique, de forma alguma, a ficha. Não utilize quaisquer fichas adaptadoras com ferramentas eléctricas ligadas à terra (massa).** As fichas e tomadas correspondentes não modificadas reduzem o risco de choque eléctrico.
- b) **Evite o contacto do corpo com superfícies ligadas à terra ou massa, como tubos, radiadores, fogões ou frigoríficos.** Há um maior risco de choque eléctrico se o corpo estiver ligado à terra ou à massa.

- c) **Não exponha as ferramentas eléctricas à chuva ou a ambientes húmidos.** A entrada de água numa ferramenta eléctrica aumenta o risco de choque eléctrico.
- d) **Não utilize o cabo de maneira abusiva. Nunca utilize o cabo para transportar, puxar ou desligar a ferramenta eléctrica. Mantenha o cabo afastado de fontes de calor, óleo, extremidades afiadas ou peças móveis.** Se os cabos estiverem danificados ou enrolados, há maior risco de choque eléctrico.
- e) **Quando utilizar uma ferramenta eléctrica no exterior, opte por uma extensão adequada para utilização no exterior.** A utilização de um cabo adequado para utilização no exterior reduz o risco de choque eléctrico.
- f) **Se não for possível evitar trabalhar com uma ferramenta eléctrica num local húmido, utilize uma fonte de alimentação protegida por um dispositivo de corrente residual (DCR).** A utilização de um DCR reduz o risco de choque eléctrico.
- 3) Segurança eléctrica**
- a) **Esteja atento, preste atenção ao que está a fazer e tenha bom senso quando utilizar uma ferramenta eléctrica. Não utilize uma ferramenta eléctrica quando estiver cansado ou sob o efeito de drogas, álcool ou medicamentos.** Um momento de distração durante a utilização de ferramentas eléctricas pode resultar em ferimentos graves.
- b) **Use equipamento de protecção individual. Use sempre protecção ocular.** O equipamento de protecção, como, por exemplo, máscara de poeiras, sapatos de segurança antiderrapantes, capacete de segurança ou protecção auditiva, utilizado nas condições adequadas, reduz o risco de ferimentos.
- c) **Evite accionamentos acidentais. Assegure-se de que o gatilho está desligado antes de ligar a ferramenta à corrente eléctrica e/ou as baterias e antes de levantar ou transportar a ferramenta.** O transporte de ferramentas eléctricas com o dedo colocado no interruptor ou a ligação à corrente das ferramentas eléctricas com o interruptor ligado pode dar origem a acidentes.
- d) **Retire eventuais chaves de ajuste ou chaves de fendas antes de ligar a ferramenta eléctrica.** Uma chave de fenda ou de ajuste montada numa peça rotativa da ferramenta eléctrica pode causar ferimentos.
- e) **Não tente chegar a pontos fora do alcance. Mantenha-se sempre numa posição firme e bem equilibrada.** Desta forma, será mais fácil controlar a ferramenta eléctrica em situações inesperadas.
- f) **Use vestuário adequado. Não use roupa larga ou jóias. Mantenha o cabelo, a roupa e as jóias afastados das peças móveis.** As roupas largas, as jóias ou o cabelo comprido podem ficar presos nestas peças.
- g) **Se for prevista a montagem de dispositivos de extracção e recolha de pó, assegure-se de que estão ligados e que são utilizados de forma correcta.** A utilização de dispositivos de extracção de pó pode reduzir os riscos inerentes.
- h) **Não permita que a familiaridade obtida através do uso frequente de ferramentas faça com que seja complacente e ignore os princípios de segurança da ferramenta.** Uma acção irreflectida pode causar ferimentos graves numa fracção de segundos.
- 4) Utilização e cuidados a ter com a ferramenta com baterias**
- a) **Não sobrecarregue a ferramenta eléctrica. Utilize a ferramenta eléctrica correcta para o seu trabalho.** A ferramenta eléctrica adequada efectua o trabalho de maneira mais eficiente e segura se for utilizada de acordo com a capacidade para a qual foi concebida.
- b) **Não utilize a ferramenta eléctrica se não conseguir ligar ou desligar o gatilho.** Qualquer ferramenta eléctrica que não possa ser controlada através do gatilho é perigosa e tem de ser reparada.
- c) **Retire a ficha da fonte de alimentação e/ou a bateria da ferramenta eléctrica antes de efectuar quaisquer ajustes, substituir acessórios ou guardar ferramentas eléctricas.** Estas medidas de segurança preventivas reduzem o risco de ligar a ferramenta eléctrica acidentalmente.
- d) **Mantenha as ferramentas eléctricas que não estiverem a ser utilizadas fora do alcance das crianças. Não permita que a ferramenta eléctrica seja utilizada por pessoas não familiarizadas com a mesma ou que não tenham lido estas instruções.** As ferramentas eléctricas são perigosas nas mãos de pessoas que não possuam as qualificações necessárias para manuseá-las.
- e) **Faça a manutenção das ferramentas eléctricas. Verifique se as peças móveis da ferramenta**

eléctrica estão alinhadas e não bloqueiam, bem como se existem peças partidas ou danificadas ou quaisquer outras condições que possam afectar o funcionamento da mesma. Se a ferramenta eléctrica estiver danificada, esta não deve ser utilizada até que seja reparada. Muitos acidentes têm como principal causa ferramentas eléctricas com uma manutenção insuficiente.

- f) **Mantenha as ferramentas de corte afiadas e limpas.** As ferramentas de corte sujeitas a uma manutenção adequada, com arestas de corte afiadas, bloqueiam com menos frequência e controlam-se com maior facilidade.
- g) **Utilize a ferramenta eléctrica, os acessórios e as peças de ferramenta, etc., de acordo com estas instruções, considerando as condições de trabalho e a tarefa a ser executada.** A utilização da ferramenta eléctrica para fins diferentes dos previstos pode resultar em situações perigosas.
- h) **Mantenha as pegas e as superfícies da pega secas, limpas e sem óleo e gordura.** As pegas escorregadias e as superfícies de fixação não permitem o manuseamento seguro e o controlo da ferramenta em situações imprevistas.

5) Utilização e cuidados a ter com a ferramenta com baterias

- a) **Recarregue apenas com o carregador especificado pelo fabricante.** Um carregador adequado para um tipo de bateria pode causar um incêndio se for utilizado com outra bateria.
- b) **Utilize apenas ferramentas eléctricas que tenham baterias especificamente concebidas.** A utilização de outro tipo de baterias pode causar ferimentos e incêndio.
- c) **Quando não utilizar a bateria, mantenha-a afastada de outros objectos metálicos, tais como cliques para papel, moedas, chaves, pregos, parafusos ou outros pequenos objectos metálicos que permitam fazer a ligação entre terminais.** O curto-circuito dos terminais da bateria pode causar queimaduras ou um incêndio.
- d) **Em condições abusivas, pode derramar líquido da bateria, devendo evitar o contacto. Se tocar acidentalmente no líquido, lave bem com água. Se o líquido entrar em contacto com os olhos, consulte um médico.** O líquido derramado da bateria pode causar irritação ou queimaduras.

- e) **Não utilize baterias ou ferramentas danificadas ou modificadas.** As baterias danificadas ou modificadas podem ter um comportamento inesperado, resultando em incêndio, explosão ou risco de ferimentos.
- f) **Não exponha a bateria ou a ferramenta ao fogo ou a temperaturas excessivas.** A exposição a fogo ou a temperaturas superiores a 130 °C podem causar uma explosão. NOTA: a temperatura "130 °C" pode ser substituída pela temperatura "265 °F".
- g) **Siga todas as instruções de carregamento e não carregue a bateria ou a ferramenta fora do intervalo de temperaturas especificado nas instruções.** O carregamento inadequado ou de acordo com temperaturas fora do intervalo especificado pode danificar a bateria e aumentar o risco de incêndio.

6) Assistência

- a) **A sua ferramenta eléctrica deve ser reparada apenas por pessoal qualificado e só devem ser utilizadas peças sobresselentes idênticas.** Desta forma, é garantida a segurança da ferramenta eléctrica.
- b) **Nunca repare baterias danificadas.** A reparação de baterias deve ser efectuada apenas pelo fabricante ou fornecedores de assistência autorizados.

INSTRUÇÕES DE SEGURANÇA ADICIONAIS SOBRE TRITURADORAS

- Utilize esta trituradora apenas se estiver instalado um dispositivo de corrente residual (RCD) com uma corrente de disparo não superior a 30 mA no circuito.
- Se utilizar uma extensão, deve fazê-lo apenas em utilização no exterior e deve assinalá-la. O tamanho recomendado da extensão é do tipo H05VV-F ou H05RN-F, o peso não deve ser inferior a 1,5 mm² e deve ter, no máximo, 10 metros de comprimento.
- Antes de utilizar a extensão, desenrole-a por completo para evitar aquecimento excessivo e perda de eficiência da máquina. Quando arrumar o cabo, enrole-o com cuidado para que não fique dobrado.
- Este equipamento não deve ser utilizado por pessoas (incluindo crianças) com capacidades físicas, sensoriais ou mentais reduzidas ou com falta de experiência e conhecimentos,

a menos que tenham recebido supervisão ou instruções relacionadas com a utilização do equipamento por uma pessoa responsável pela sua segurança. As crianças devem estar acompanhadas, para garantir que não brincam com o equipamento.



AVISO: *Depois de desligar a máquina, a lâmina de corte continua a rodar durante alguns segundos.*

- Inspeccione com frequência o estado da lâmina de corte. As lâminas danificadas devem ser substituídas de imediato. Quando substituir a lâmina, siga todas as precauções necessárias.
- Antes de utilizar, verifique se o cabo de alimentação e a extensão apresentam sinais de danos ou deterioração. Se o cabo ficar danificado durante a utilização, desligue o cabo da fonte de alimentação de imediato.
- **NÃO TOQUE NO CABO ANTES DE DESLIGAR A FONTE DE ALIMENTAÇÃO.**
- Não ligue um cabo danificado à fonte de alimentação nem toque num cabo danificado antes de desligá-lo da fonte de alimentação. Um cabo danificado pode colocar o utilizador em contacto com as peças sob tensão.
- Não utilize a trituradora se o cabo estiver danificado ou gasto.
- Leia as instruções com atenção. Deve estar familiarizado com os comandos e a utilização adequada do equipamento. Evite utilizar a máquina em condições atmosféricas desfavoráveis, em especial se houver o risco de relâmpagos. Quando utilizar a máquina, use sempre calçado robusto e calças compridas.
- Mantenha as crianças e os animais de estimação bem afastados da área de trabalho e nunca permita que as crianças utilizem este equipamento ou toquem no cabo de alimentação ou a extensão. Quando não utilizar o equipamento, mantenha-o armazenado num local seguro afastado do alcance de crianças.



AVISO: *Para reduzir o risco, desligue a ficha da fonte de alimentação, utilize apenas os acessórios conforme necessário, caso contrário podem ocorrer ferimentos.*

- Quando utilizar a máquina, use sempre protecção auricular e óculos de segurança
- Use uma protecção contra pó se a acção de trituração produzir pó ou partículas.
- Quando efectuar uma tarefa, vista-se de maneira adequada. A roupa solta pode ficar presa nas peças móveis do equipamento.
- Prenda o cabelo comprido e use um capacete de protecção.
- Utilize a máquina apenas em espaços amplos (por exemplo, não o faça perto de uma parede ou de objectos fixos) e numa superfície firme e nivelada.
- Não utilize a máquina em superfícies pavimentadas ou com gravilha, porque o material produzido pode causar ferimentos.
- Antes de cada utilização, inspeccione minuciosamente se a trituradora tem peças soltas ou danificadas. Só deve utilizar a unidade depois de efectuar os ajustes ou reparações.
- Substitua as etiquetas danificadas ou ilegíveis.
- Se trabalhar no exterior, utilize apenas uma extensão impermeável e desenrole-a por completo.
- Este equipamento foi concebido apenas para utilização no exterior.
- Não coloque este equipamento à chuva.
- Só deve utilizar a trituradora com luz natural ou se houver luz artificial adequada.
- Nunca deixe o equipamento sem vigilância.
- Não utilize o equipamento numa área onde possa causar uma explosão ou incêndio, mantenha-o afastado de líquidos e gases inflamáveis.
- Proteja-se de choque eléctrico, evite o contacto do corpo com superfícies com ligação à terra, como portões metálicos, postes ou outros objectos metálicos na área de trabalho.
- Nunca puxe o equipamento pelo cabo de alimentação. Desloque-o ou transporte-o com as duas mãos.
- O cabo de alimentação não deve ser colocado sobre ou perto de objectos afiados, porque podem perfurar o isolamento exterior. Antes de utilizar o equipamento, efectue uma inspecção visual do cabo de alimentação. Se apresentar danos, deve ser substituído por um centro de assistência especializado. Não utilize o equipamento se este apresentar danos.
- Mantenha o cabo de alimentação afastado de calor, gelo, óleo, solventes ou objectos ou arestas afiados.

- Não utilize este equipamento se estiver sob o efeito de medicamentos fortes, indisposto ou se tiver consumido bebidas alcoólicas.
- Nunca coloque a mão dentro do alimentador automático. Se quiser inserir material na câmara de corte, utilize a alavanca de empurrar.
- Antes de ligar a máquina, inspecione a câmara de alimentação para assegurar-se de que está vazia.
- Mantenha o rosto e o corpo afastados da abertura de alimentação.
- Não permita a colocação das mãos ou de qualquer outra parte do corpo ou roupa no interior da câmara de alimentação, calha de descarga ou perto de peças móveis.
- Mantenha sempre uma posição equilibrada e os pés bem assentes. Não tente chegar a pontos fora do alcance. Nunca se coloque num nível mais elevado do que a base da máquina quando inserir material.
- Quando utilizar a máquina, mantenha-se sempre afastado da área de descarga.
- Quando inserir material na máquina, tenha muito cuidado para evitar a colocação de pedaços de metal, pedras, garrafas, latas ou outros objectos estranhos.
- Se o mecanismo de corte entrar em contacto com objectos estranhos ou se a máquina começar a fazer ruídos ou vibrações estranhos, desligue a fonte de alimentação e aguarde até a máquina parar (unidade eléctrica desligada da fonte de alimentação):
 - *inspecione se existem danos*
 - *verifique e aperte as peças soltas*
 - *as peças danificadas devem ser substituídas ou reparadas e só deve utilizar os acessórios e peças sobresselentes recomendados pelo fabricante.*
- Não permita a acumulação de material processado na área de descarga; isto pode impedir a descarga adequada e pode causar um efeito de recuo do material através da abertura de alimentação.
- Se a máquina ficar obstruída, desligue a fonte de alimentação (unidade eléctrica desligada da fonte de alimentação) antes de remover os resíduos. Limpe os resíduos e outras sujidades junto da fonte de alimentação para evitar danos na fonte de alimentação ou possível incêndio. Tenha em atenção que a utilização do mecanismo de arranque em máquinas alimentadas a motor faz com que o sistema de corte se desloque.
- Mantenha todas as protecções e deflectores instalados e em boas condições de funcionamento.
- Não adultere as definições de regulação da fonte de alimentação; o regulador controla a velocidade máxima de funcionamento e protege a fonte de alimentação e todas as peças móveis dos danos causado pelo excesso de velocidade. Contacte um centro de assistência autorizado se houver algum problema.
- Não transporte esta máquina se estiver ligada à fonte de alimentação.
- Desligue a fonte de alimentação e retire a ficha da rede eléctrica sempre que sair da área de trabalho.
- Não incline a máquina se estiver ligada à fonte de alimentação.
- A trituradora deve ser colocada numa superfície firme e nivelada.
- Nunca coloque a trituradora sobre a parte dianteira, traseira ou lateral, mantenha-a sempre na vertical.
- Não sobrecarregue a trituradora, insira o material lentamente e deixe-a a funcionar ao seu próprio ritmo.
- Antes de começar, assegure-se de que a abertura de entrada está vazia. Não ligue a trituradora com material no interior do equipamento.
- Excepto em situações de emergência, só deve ligar a trituradora quando depois de retirar o material por completo.
- Antes de triturar, retire as pedras ou outros objectos duros à volta das raízes de plantas.
- Segure nos ramos grandes ou finos com firmeza quando inseri-los na trituradora.
- Não permita que a saída fique tapada ou obstruída.

Segurança eléctrica



Verifique sempre se a tensão da fonte de alimentação corresponde à tensão na placa sinalética.

- Não utilize a máquina se o cabo de alimentação ou se a tomada da rede estiver danificada.
- Utilize apenas extensões que sejam adequadas para a potência nominal da máquina com uma espessura mínima de 1,5 mm². Se utilizar um enrolador de extensão, desenrole sempre o cabo por completo.

2. INFORMAÇÕES SOBRE A MÁQUINA

Utilização pretendida

Esta trituradora é concebida para cortar ramos e galhos em pedaços e outras tarefas de poda. Podem ser triturados em aparas de madeira para reutilização. A trituradora é concebida para jardins privados domésticos pequenos e médios, não é concebido para utilização intensiva.

ESPECIFICAÇÕES TÉCNICAS

Modelo n.º	GS502AC
Tensão	230 - 240 V ~
Frequência	50 Hz
Potência	2500 W (P40)*
Sem velocidade de carga	4200/min.
Diâmetro máx. de corte	45 mm**
Capacidade do cesto de recolha	45 l
Peso	10,3 kg
Nível de protecção	IPX4
Tipo de protecção	Classe II
Nível de potência sonora (Lwa)	106 dB***

* O modo de funcionamento de 40 % do P40 significa um perfil de carga de 40 segundos de carga e 60 segundos de funcionamento ao ralenti. O funcionamento a longo prazo é admissível para utilização prática.

** Depende da dureza da madeira.

*** Os valores medidos extraídos de acordo com a tolerância de medição 2000/14/CE e 2005/88/CE (1,60 m de altura, 1 m de distância) +/- 3 dB.

DESCRIÇÃO

Os números indicados no texto dizem respeito aos diagramas indicados nas páginas 2 a 3.

1. Alimentador automático
2. Corpo inferior
3. Roda
4. Patim de pedal
5. Estrutura
6. Cesto de recolha
7. Corpo superior

8. Alavanca de empurrar
9. Reposição de protecção contra sobrecarga
10. Interruptor para ligar/desligar
11. Botão
12. Pólo de ligação
13. Tampão de roda
14. Bloco de protecção da lâmina
15. Lâmina
16. Parafusos da lâmina
17. Parafusos da estrutura
18. Arruela espaçadora
19. Bucha do eixo
20. Porca da roda
21. Chave para porcas
22. Chave sextavada

3. MONTAGEM



Antes de efectuar a montagem, desligue sempre a máquina e retire a ficha da tomada de corrente.

Montagem das rodas e da estrutura (Fig. G e H)

1. Insira o pólo de ligação (12) através dos dois furos inferiores da estrutura (5).
2. Fixe em cada lado do pólo de ligação (12) uma arruela espaçadora (18), uma bucha do eixo (19) e uma roda (3). Em seguida, aperte com uma porca (20).
3. Monte o tampão de roda (13) na roda (3).
4. Vire a trituradora ao contrário (no alimentador automático) e insira a estrutura (5) no corpo inferior (2) utilizando 4 parafusos da estrutura (16) e aperte com a chave para porcas (21).

4. FUNCIONAMENTO



Antes de utilizar, inspeccione sempre se as lâminas, parafusos da lâmina e o conjunto do sistema de corte não estão gastos ou danificados. Mantenha a potência desligada e desligue a fonte de alimentação. Substitua as lâminas e parafusos gastos ou danificados em conjuntos para manter o equilíbrio.



Se a máquina começar a vibrar de maneira anormal (verifique de imediato): - inspeccione se existem danos, - substitua ou repare as peças danificadas, - verifique se existem peças soltas e aperte-as.



Desligue a máquina de imediato nos seguintes casos:

- sempre que deixar de utilizar a máquina,
- antes de retirar objectos obstruídos ou desobstruir a calha,
- antes de verificar, limpar ou trabalhar com a máquina,
- se bater num objecto estranho. Inspeccione se a máquina apresenta danos e efectue reparações antes de reiniciar e utilizar a máquina;



Coloque sempre a máquina sobre uma superfície robusta e uniforme. Nunca incline ou mova a máquina quando o motor estiver em funcionamento.

Ligar/desligar a máquina



Nunca coloque a mão dentro do alimentador automático (1). Se quiser inserir material na câmara de corte, utilize a alavanca de empurrar (8).

- Antes de ligar a máquina, fixe o saco de recolha (6) em ambos os ganchos do compartimento.
- Para ligar a máquina, carregue no interruptor para ligar (10). Como função de segurança, a trituradora só é ligada se o botão de fixação do alimentador estiver totalmente apertado.
- Para parar a máquina, carregue no interruptor para desligar (10).

Instruções de funcionamento

- O grau de secura e envelhecimento da madeira condiciona a trituração de ramos e resíduos de poda. Os melhores resultados são obtidos através da trituração de cortes suaves e recentes com ramos secos.
- A trituradora não é muito adequada para cortar resíduos de jardim, que é mole e contém grandes quantidades de seiva (por exemplo, frutos de sementes, resíduos húmidos de plantas). Este material deve ser compostado de imediato.
- Quando tritar ramos grossos, aplique apenas uma ligeira pressão para impedir que a trituradora fique bloqueada.
- Aguarde sempre que a máquina arrefeça antes de guardá-la.



Por motivos de segurança, substitua as peças gastas ou danificadas. Utilize apenas acessórios e peças sobresselentes originais.

Protecção contra novo arranque

Esta protecção impede o arranque acidental da máquina após uma falha de energia. Quando a alimentação for reposta, volte a ligar a máquina.

Protecção contra sobrecarga

Se a máquina for exposta a uma carga elevada (por exemplo, se o cilindro de corte estiver bloqueado), pára após alguns segundos. Desligue a alimentação e retire a ficha. Carregue no sistema de reposição de protecção contra sobrecarga (9) e, em seguida, reinicie-o para poder utilizá-lo.

Obstruções

Se a máquina ficar bloqueada, desligue-a da rede eléctrica e retire a ficha da tomada. Rode o botão do corpo superior (11) para a esquerda até o corpo superior ficar afrouxado. Puxe-o para cima, afastado de si, para ter acesso ao interior da trituradora. Elimine quaisquer bloqueios, (tenha cuidado para não tocar nas lâminas afiadas, substitua o corpo superior e volte a apertar, rodando o botão (11) totalmente para a direita.

5. MANUTENÇÃO



Desligue a máquina da fonte de alimentação antes de efectuar quaisquer tarefas de manutenção.

A trituradora foi concebida para funcionar durante um período prolongado e um mínimo de manutenção. O funcionamento satisfatório contínuo depende de cuidados adequados e limpeza frequente.

- Mantenha a trituradora limpa e seca.
- Para limpar a trituradora, utilize apenas um sabão suave e um pano húmido. Nunca permita a entrada de líquidos no interior da ferramenta e nunca mergulhe qualquer parte da ferramenta dentro de líquidos. Não utilize produtos de limpeza abrasivos ou à base de solventes.
- Quando efectuar a manutenção da trituradora, tenha em atenção que apesar da fonte de alimentação estar desligada, a trituradora pode deslocar-se devido ao dispositivo de segurança.

- Depois de cada tarefa, limpe a máquina cuidadosamente para remover o pó e os resíduos por completo, e repare ou substitua as peças defeituosas.
- Mantenha o dispositivo sempre limpo, em especial as aberturas de ventilação.
- Nunca pulverize água no corpo do dispositivo!
- Mantenha todas as porcas, cavilhas e parafusos apertados para garantir as boas condições de funcionamento do equipamento;
- As reparações e tarefas especificadas nestas instruções devem ser efectuadas apenas por pessoal autorizado e qualificado.
- Utilize apenas os acessórios e as peças sobresselentes originais. Os componentes em relação aos quais não haja instruções de substituição devem ser substituídos apenas pelo fabricante. A utilização de peças sobresselentes pode causar acidentes/ferimentos no utilizador. O fabricante não é responsável por este tipo de danos.

Substituir as lâminas de corte (Fig. F)



Antes de efectuar qualquer tarefa de manutenção na máquina, desligue a ficha de alimentação da fonte de alimentação.



Quando substituir as lâminas de corte, use luvas de protecção. Há o risco de ferimentos se tocar na lâmina de corte.



Utilize apenas as lâminas recomendadas pelo fabricante.



Por motivos de segurança, substitua as peças gastas ou danificadas. Utilize apenas acessórios e peças sobresselentes originais.

1. Rode o botão (11) totalmente para a esquerda para abrir o corpo superior (7).
2. A máquina tem duas lâminas integradas (16) que podem ser substituídas. Desaperte os dois parafusos por lâmina com a chave sextavada (22) para conseguir retirar a lâmina.
3. Insira uma nova lâmina e aperte os dois para fusos.
4. Feche o corpo superior e rode o botão (11) totalmente para a direita.

AMBIENTE



Os equipamentos eléctricos ou electrónicos defeituosos e/ou eliminados devem ser recolhidos em locais de reciclagem adequados.

Apenas para os países da CE

Não elimine as ferramentas eléctricas em conjunto com os resíduos domésticos. De acordo com a directiva europeia 2012/19/CE sobre resíduos de equipamentos eléctricos e electrónicos e a respectiva implementação na legislação nacional, as ferramentas eléctricas que já não sejam utilizadas devem ser recolhidas em separado e eliminadas de maneira ecológica.

GARANTIA

Os produtos da VONROC são desenvolvidos de acordo com os padrões de qualidade mais elevados e não apresentam quaisquer defeitos em termos de materiais e mão-de-obra em relação ao período estipulado por lei, cujo início é a partir da data de compra original. Se o produto apresentar qualquer falha durante este período devido a qualquer defeito no material e/ou de mão-de-obra, contacte a VONROC directamente.

As seguintes circunstâncias estão excluídas desta garantia:

- Se forem efectuadas ou tentadas quaisquer reparações e/ou alterações na máquina por centros de assistência não autorizados;
- Desgaste normal;
- Se a ferramenta foi utilizada de maneira abusiva, indevida ou a manutenção for efectuada de maneira incorrecta;
- Se forem utilizadas peças sobresselentes não originais.

Isto constitui a única garantia feita pela empresa, de maneira expressa ou implícita. Não existem quaisquer outras garantias expressas ou implícitas que se prolonguem, incluindo as garantias implícitas de comercialização e adequação para fins específicos. A VONROC não será, em nenhuma circunstância, responsável por danos incidentais ou indirectos. Os fornecedores devem estar limitados a reparar ou substituir as unidades ou peças que não estejam em conformidade.

O equipamento e o manual do utilizador estão sujeitos a alterações sem aviso prévio. As especificações podem ser alteradas sem aviso prévio.

1. BIZTONSÁGI UTASÍTÁSOK

Olvassa el az összes mellékelt biztonsági figyelmeztetést. A figyelmeztetések és utasítások be nem tartása áramütéshez, tűz keletkezéséhez vagy akár súlyos személyi sérüléshez vezethet. Őrizze meg a biztonsági figyelmeztetéseket és utasításokat későbbre is.

A használati útmutatóban és a terméken a következő jelölésekkel találkozhat:



Olvassa el az utasításokat!



Személyi sérülés veszélye áll fenn.



Jelzett veszély, figyelmeztetés vagy óvintézkedés.



Viseljen szemvédő és hallásvédő eszközt.



Kapcsolja ki a gépet és válassza le a tápdugót az elektromos hálózatról, mielőtt beállítást vagy tisztítást végez, vagy ha a kábel megsérült vagy összegabalyodott.



Ügyeljen rá, hogy a gép által szétrepített idegen tárgyak ne okozzanak sérülést a közelben tartózkodóknak. Figyelmeztetés: Használat közben tartson biztonságos távolságot a géptől.



Veszély: Forgó kések. Amikor a gép működésben van, tartsa távol a kezét és a lábfejeit a nyílásoktól.



Ne nyúljon a gép komponenseihez, míg azok teljesen le nem álltak.



Ne használja fellépőként.



Esőtől védje.



A garantált hangteljesítményszint LWA = 106 dB(A)



A terméket hulladékként ne tegye arra nem alkalmas konténerbe.

CE A termék megfelel az európai irányelvek rá vonatkozó biztonsági követelményeinek.

AZ ELEKTROMOS GÉPEKRE VONATKOZÓ ÁLTALÁNOS BIZTONSÁGI FIGYELMEZTETÉSEK



FIGYELMEZTETÉS! Olvasson el minden biztonsági figyelmeztetést és utasítást.

A biztonsági figyelmeztetések és útmutatások be nem tartása áramütést, tüzet és/vagy súlyos sérülést okozhat.

Az összes figyelmeztetést és utasítást őrizze meg, mert később még szüksége lehet rájuk.

A figyelmeztetésben használt „elektromos szerszám” kifejezés a hálózatról működtetett (vezetékes) elektromos szerszámra vagy akkumulátoros (vezeték nélküli) elektromos szerszámra utal.

1) A munkaterület biztonsága

- a) **Gondoskodjon a munkaterület tisztaságáról és megfelelő megvilágításáról.** A rendezetlen és sötét területeken valószínűbb a balesetek előfordulása.
- b) **Ne használja az elektromos szerszámokat robbanásveszélyes légtérben, például ahol gyúlékony folyadékok, gázok vagy por vannak jelen.** Az elektromos szerszámok használata során keletkező szikra lángra lobbanthatja a port és füstöt.
- c) **Az elektromos szerszám használata során a gyermekeket és a közelben tartózkodó személyeket tartsa távol a munkaterülettől.** Ha valami eltereli a figyelmét, elveszítheti az irányítást.

2) Elektromos biztonság

- a) **Az elektromos szerszám dugóinak megfelelőnek kell lenniük az aljzathoz. Soha ne próbálja semmilyen módon módosítani a dugót. Földelt elektromos szerszámhoz ne használjon semmilyen adapterdugót.** Az eredeti (értsd: módosítás nélküli) dugók és megfelelő hálózati aljzatok használatával mérsékelhető az elektromos áramütés veszélye.
- b) **Ügyeljen arra, hogy teste ne érintkezzen földelt felületekkel, például csővezetékekkel, radiátorral, tűzhellyel vagy hűtőszekrénnel.** Ha teste földelődik, megnő az áramütés kockázata.

- c) **Óvja az elektromos szerszámokat az esőtől és nedves környezettől.** Az elektromos szerszámokban kerülő víz növeli az elektromos áramütés veszélyét.
- d) **Ne használja helytelenül (nem előírászerűen) a kábelt. A kábelt soha ne használja az elektromos szerszám hordozására, húzására vagy az aljzatról történő kihúzására. A kábelt tartsa távol hőforrásoktól, olajtól, hegyes élektől és mozgó alkatrészekről.** A sérült vagy meglepedett kábelek növelik az elektromos áramütés veszélyét.
- e) **Az elektromos szerszám kültéri használata esetén kültéri használatra alkalmas hosszabító kábelt használjon.** A kültéri használatra alkalmas kábel használatával mérsékelhető az elektromos áramütés veszélye.
- f) **Ha az elektromos szerszámot mindenképpen nedves környezetben kell használni, akkor használjon áramvédő kapcsolóval (RCD) ellátott tápforrást.** Az áramvédő kapcsolóval ellátott tápforrás használatával mérsékelhető az elektromos áramütés veszélye.

3) Személyi biztonság

- a) **Az elektromos szerszám használata során maradjon éber, koncentráljon az éppen végzett műveletre és használja a józan ítélőképességét. Ha fáradt, vagy ha kábítószert, alkoholt vagy gyógyszer hatása alatt áll, ne használjon elektromos szerszámot.** Az elektromos szerszámok használata közben egyetlen pillanatnyi figyelmetlenség is súlyos személyi sérülést okozhat.
- b) **Használjon egyéni védőfelszerelést. Mindig viseljen szemvédő felszerelést.** A megfelelő körülményekhez való védőeszközökkel (például pormaszkkal, csúszásgátló biztonsági cipővel, munkavédelmi sisakkal vagy hallásvédő eszközzel) csökkenthető a személyi sérülések kockázata.
- c) **Gondoskodjon a gép véletlen elindulásának a megelőzéséről. A szerszám tápforráshoz és/vagy akkumulátorcsomaghoz történő csatlakoztatása, kézbevétele vagy hordozása előtt győződjön meg róla, hogy a kapcsoló OFF (kikapcsolt) állásban van.** Ha úgy hordozza az elektromos szerszámot, hogy az ujjja a kapcsolón van, vagy úgy helyezi feszültség alá, hogy a kapcsolója ON (bekapcs.) helyzetben van, ez növeli a balesetek kockázatát.

- d) **Az elektromos szerszám bekapcsolása előtt távolítsa el a csavarkulcsokat vagy beállító kulcsokat.** Az elektromos szerszám forgó alkatrészein felejtett csavarkulcs vagy beállító kulcs személyi sérülést okozhat.
- e) **Ne próbáljon túlnyújtóztatva vagy kitekeredett testhelyzetben dolgozni. Mindig két lábbal, egyensúlyát megtartva álljon a talajon.** Így könnyebben tudja irányítani az elektromos szerszámot a váratlan helyzetekben.
- f) **Viseljen megfelelő öltözetet. Ne viseljen laza ruhát vagy ékszert. Haját, ruháját és kesztyűjét tartsa távol a mozgó alkatrészekről.** A mozgó alkatrészek behúzhatják a ruhákat, az ékszereket és a hosszú haját.
- g) **Ha a szerszámhoz porelszívó és porgyűjtő eszközt is lehet csatlakoztatni, akkor gondoskodjon ezek csatlakoztatásáról és megfelelő használatáról.** A porgyűjtő rendszerek használatával csökkenthetők a porral kapcsolatos veszélyek.
- h) **Ne engedje, hogy a szerszámok gyakori használata során szerzett tapasztalatai túlzott biztonságerzetet keltsenek Önben, és amiatt elhanyagolja a biztonsági alapelveket.** Gondatlan cselekvés már a másodperc töredéke alatt is súlyos sérülést okozhat.
- 4) Az elektromos szerszám használata és ápolása**
- a) **Az elektromos szerszámot tilos túlzott erő-kifejtéssel használni. Az alkalmazási célnak megfelelő elektromos szerszámot használjon.** A megfelelő elektromos szerszám biztonságosabb és hatékonyabban végzi a munkát azon a fordulatszámon, amire azt tervezték.
- b) **Ne használja az elektromos szerszámot, ha az nem kapcsolható be/ki a főkapcsolóval.** Bármely elektromos szerszám veszélyes lehet, amit a kapcsolóval nem lehet irányítani, ezért az ilyen elektromos szerszámot meg kell javíttatni.
- c) **Válassza le a dugót a tápforrásról és/vagy az akkumulátorcsomagot az elektromos szerszámról, mielőtt bármilyen módosítást végez, tartozékot cserél vagy eltávolítja az elektromos szerszámot.** Ezekkel a megelőző biztonsági intézkedésekkel csökkenthető az elektromos termék véletlen elindulásának a kockázata.
- d) **A használaton kívüli elektromos szerszámot olyan helyen tárolja, ahol gyermekek nem férhetnek hozzá; ne engedje, hogy olyan személyek használják, akik az elektromos szerszámot és ezeket az utasításokat nem ismerik.** Az elektromos szerszámok rendkívül veszélyesek lehetnek szakképzetlen felhasználók kezében.
- e) **Tartsa karban az elektromos szerszámokat. Ellenőrizze, hogy a mozgó alkatrészek nem állítódta-e el vagy nem szorulnak-e, nincsenek-e a szerszámon törött alkatrészek, és nem állnak-e fenn olyan körülmények, amelyek befolyásolhatják a szerszám működését. Ha az elektromos szerszám sérült, használat előtt javíttassa meg.** A nem megfelelően karbantartott elektromos szerszámok számos balesetet okoznak.
- f) **Tartsa élesen és tisztán a vágószerszámokat.** A megfelelően karbantartott, éles vágószerszámok beszorulásának kisebb a valószínűsége, ráadásul könnyebben irányíthatók.
- g) **Az elektromos szerszámot, tartozékokat és szerszámszárazakat stb. a használati útmutatónak megfelelően használja, a munkakörülmények és az elvégzendő feladat figyelembevételével.** Ha az elektromos szerszámot a rendeltetési céljától eltérően használják, ez veszélyhelyzetet teremthet.
- h) **Tartsa a fogantyúkat és egyéb markolási felületeket szárazon, tisztán, olajtól és zsírtól mentesen.** Váratlan helyzetekben a csúszós fogantyúk és egyéb markolási felületek akadályozzák a szerszám biztonságos kezelését és irányítását.
- 5) Az akkumulátoros szerszám használata és ápolása**
- a) **Újratöltéshez csak a gyártó által megjelölt töltőt használja.** Az egyik akkumulátorhoz megfelelő töltő másikat töltővel használva tűzveszélyes lehet.
- b) **Csak a kifejezetten hozzájuk készült akkumulátorral használja az elektromos szerszámokat.** Bármilyen másfajta akkumulátor használata tűz- és balesetveszélyt idézhet elő.
- c) **Amikor nem használja az akkucsomagot, tartsa azt távol minden fém tárgyól, például tűzőkapocstól, érmétől, kulcstól, szögűtől, csavartól és minden más apró fémtárgytól, amely a sarukat rövidre zárhatja és égési sérülést vagy tüzet okozhat.**
- d) **Nem előírászerű körülmények között folyadék szívároghat az akkumulátorból; ne érjen hozzá. Ha véletlenül mégis a bőre kerül, vízzel öblítse le. Ha a folyadék szembe kerül, forduljon orvoshoz is.** Az akkumulátorból származó folyadék bőrizgató hatású, égési sérülést is okozhat.

- e) **Sérült vagy átalakított akkucsomagot és szerzámot ne használjon.** A sérült vagy átalakított akkumulátorok kiszámíthatatlanul viselkedhetnek, tüzet, robbanást vagy sérülést okozhatnak.
- f) **Tűztől és szélsőséges hőmérséklettől óvja az akkucsomagot és a szerzámot.** Ha tűznek vagy 130 °C-on feletti hőmérsékletnek teszi ki, robbanást okozhat. MEGJEGYZÉS: a „130 °C” „265 °F”-nak (Fahrenheit foknak) felel meg.
- g) **Tartsa be a töltésre vonatkozó összes utasítást, és ne töltsen az akkucsomagot vagy a szerzámot a kezelési útmutatóban megadott tartományon kívül eső hőmérséklet mellett.** Nem megfelelő vagy a megadott tartományon kívüli hőmérséklet mellett történő töltés károsíthatja az akkumulátort, és tűzveszéllyel jár.
- 6) Szerviz**
- a) **Az elektromos szerzámot képzett javító szakemberrel javíttassa, csakis az eredetivel azonos pótalkatrészeket használjon fel.** Ez biztosítja, hogy a villamos kéziszerszám továbbra is biztonságos marad.
- b) **Sérült akkucsomagot soha ne szervizeljen.** Akkucsomagok szervizelését csak a gyártó vagy annak megbízott szolgáltatója végezheti.

AZ APRÍTÓGÉPEKRE VONATKOZÓ TOVÁBBI BIZTONSÁGI UTASÍTÁSOK

- Csak akkor használja ezt az aprítógépet, ha az áramkörben egy legfeljebb 30 mA kioldási áramerősségű áram-védőkapcsoló (angol rövidítése: RCD) is található.
- Ha hosszabbítókábelt szeretne használni, csak olyat használjon, ami a jelzése szerint kültéri használatra való. A hosszabbítókábel ajánlott mérete/típusa H05VV-F vagy H05RN-F. Keresztszete ne legyen kisebb 1,5 mm²-nél, hossza pedig ne haladja meg a 10 métert.
- Használat előtt teljesen tekerje le a hosszabbítókábelt, különösen túlmelegedés jelentkezhet és csökkenhet a gép hatékonysága. Elpakoláskor óvatosan tekerje fel a kábelt, nehogy megtörjön benne a szál.
- Ez a készülék nem használható csökkent fizikai, érzékszervi vagy szellemi képességekkel, illetve tapasztalat és ismeretek hiányával rendelkező személyek (beleértve a gyermekeket is) által, kivéve, ha a biztonságukért felelős személy felügyeli vagy oktatja őket a készülék használatára vonatkozóan. Ügyeljen a gyermekekre, hogy ne játszhassanak vele.



FIGYELMEZTETÉS: A gép kikapcsolását követően a vágópenge pár másodpercig még forog.

- Rendszeresen ellenőrizze a vágókés állapotát. A sérült pengét azonnal ki kell cserélni. A penge cseréjekor tartsa be a szükséges óvintézkedéseket.
- A használat előtt ellenőrizze a tápkábelt és a hosszabbítókábelt, hogy lát-e rajtuk sérülésre vagy előregedésre utaló jeleket. Ha a kábel használat közben megsérül, azonnal válassza le a kábelt az elektromos hálózatról.
- **NE ÉRINTSE MEG A KÁBELT, MIELŐTT LEVÁLASZTJA AZ ELEKTROMOS ELLÁTÁST.**
- Sérült kábelt tilos az elektromos hálózathoz csatlakoztatni, valamint a működés közben megsérült kábelt csak akkor szabad megérinteni, miután a kábelt leválasztotta az elektromos hálózatról. A vezeték megsérülése esetén fennáll a feszültség alatt álló részek megérintésének a veszélye.
- Ne használja az aprítógépet, ha a kábel sérült vagy elhasználódott.
- Alaposan olvassa el az utasításokat. Ismerje meg a kezelőszerveket, valamint a berendezés megfelelő használatát. Ne használja a gépet kedvezőtlen időjárás esetén, különösen, ha villámlás várható. A gép használata során mindig erős lábbelit és hosszú nadrágot viseljen.
- A gyerekeket és a háziállatokat kellő távolságban kell tartani a munkaterülettől, és ügyelni kell rá, hogy a gyerekek soha ne használhassák ezt a készüléket, valamint ne nyúlhassanak hozzá a tápkábelhez vagy a hosszabbítókábelhez. A használaton kívüli termék biztonságos helyen, gyermekektől elzárva tartandó.



FIGYELMEZTETÉS: A kockázat csökkentése érdekében válassza le a dugót az elektromos hálózatról, és csak az ajánlott tartozékokat használja, ha szükség van rájuk. Más különben személyi sérülés történhet.

- A gép használata során mindig viseljen hallásvédő eszközt és védőszemüveget.
- Ha az aprítás hatására por vagy részecskék repülnek szét a levegőben, akkor viseljen por elleni védőeszközt.

- A munkának megfelelően öltözzön fel, és ennek részeként ne viseljen laza ruhát, ami becsíphetnének a készülék mozgó alkatrészei.
- Ha hosszú a haja, húzza hátra, hogy ne legyen útban, valamint viseljen védősapkát.
- A gépet csak tágas helyen (például faltól vagy más fix tárgyaktól távoli helyen), stabil és vízszintes felületen szabad használni.
- Ne használja a gépet olyan burkolt vagy kavicsos felületen, ahol a kilöködő anyag sérülést okozhatna.
- Minden egyes használat előtt alaposan ellenőrizze az aprítógépet, hogy talál-e rajta meglazult vagy sérült alkatrészeket. Csak akkor használja az egységet, ha előtte elvégezte az esetlegesen szükséges módosításokat vagy javításokat.
- A sérült vagy olvashatatlaná vált címkéket ki kell cserélni.
- Csak vízálló, teljesen letekert, kültéri használatra alkalmas hosszabbítókábelt használjon.
- Ezt a készüléket csak kültéren szabad használni.
- A készüléket tilos eső hatásának kitenni.
- Az aprítógépet csak nappali fényben vagy megfelelő mesterséges fényben használja.
- A készüléket soha ne hagyja felügyelet nélkül.
- Ne használja a készüléket olyan területen, ahol a készülék robbanást vagy tüzet okozhatna. A készüléket távol kell tartani a gyúlékony folyadékoktól és gázoktól.
- Gondoskodjon az áramütés elleni védelemről – ügyeljen le, hogy egyetlen testrésze se érintkezzen földelt vagy testelt felületekkel (értsd: a munkaterületen lévő fém kapukkal vagy oszlopokkal vagy más fém tárgyakkal).
- Soha ne húzza a készüléket a tápkábelénél fogva. Gurítsa a kerekeire, vagy cipelje két kézzel.
- Ne hagyja, hogy a tápkábel olyan éles tárgyakra feküdjön vagy azokon keresztül haladjon, amelyek kiszúrhatják a külső szigetelést. Használat előtt szemrevételezéssel ellenőrizze a tápkábelt. Ha sérült, cseréltesse ki egy szakszervizvel. Ne használja a készüléket, ha a kábel sérült.
- Tartsa távol a tápkábelt hőtől, fagytól, olajtól, oldószerektől, valamint hegyes tárgyaktól és éles szélektől.
- Ne használja ezt a készüléket, ha erős gyógyszer hatása alatt áll, nem érzi jól magát, vagy a közelmúltban alkoholt ivott.
- Soha ne próbálja betenni a kezét az adagolótölcsérbe. Ha szeretné betolni az anyagot a vágókamrába, használja a tolórudat.
- A gép beindítása előtt nézzen bele az adagolókamrába, és győződjön meg róla, hogy az üres.
- Arcát és testét tartsa távol az adagolónylástól.
- Ne hagyja, hogy a kezei, bármely más testrésze vagy bármely ruhadarab bekerüljön az adagolókamrába vagy az ürítőcsúszdába vagy bármely mozgó alkatrész közelébe kerüljön.
- Mindig két lábbal, egyensúlyát megtartva álljon a talajon. Ne próbáljon túlnyújtóztatva vagy kitekeredett testhelyzetben dolgozni. Soha ne álljon a gép alapzatánál magasabb helyen, amikor anyagot adagol a gépbe.
- A gép használatakor mindig a kibocsátási zónán kívül tartózkodjon.
- Amikor anyagot adagol a gépbe, legyen rendkívül körültekintő, hogy az anyagban ne legyenek fémdarabok, kavicsok, palackok, fémdobozok vagy más idegen tárgyak.
- Ha a vágószerkezet idegen tárgynak ütődik, vagy ha a gép elkezd szokatlan hangot vagy rezgést produkálni, akkor kapcsolja ki az áramellátást, és hagyja leállni a gépet (elektromos egység leválasztása az elektromos hálózatról):
 - *ellenőrizze, hogy nincs-e sérülés*
 - *ellenőrizze, hogy az alkatrészek nem lazultak-e ki, majd szorítsa meg a kilazult alkatrészeket*
 - *cseréltesse ki vagy javíttassa meg az esetlegesen megsérült alkatrészeket, és csak a gyártó által ajánlott cserealkatrészeket és tartozékokat használja.*
- Ne hagyja, hogy a feldolgozott anyag nagy mennyiségben felgyűljön az ürítési zónában, máskülönben előfordulhat, hogy a gép nem tudja megfelelően üríteni az anyagot, ezért azt visszalöki az adagolónyláson keresztül.
- Ha a gép elakad, a törmelékek eltávolítása előtt kapcsolja ki az áramellátást (elektromos egység leválasztása az elektromos hálózatról). A tápforrást óvni kell a törmelékektől és más anyagok felhalmozódásától, máskülönben a tápforrás károsodhat, vagy akár tűz is kiüthet. Ne feledje, hogy ha motoros meghajtású gépeken működésbe hozza az indítószerveket, akkor a vágóeszközök mozogni kezdenek.
- Az összes védelemnek és terelőelemnek jó állapotban és a helyén kell lennie.

- Ne próbálja módosítani az áramforrás szabályozójának a beállításait. A szabályozó beszabályozza a biztonságos maximális üzemi sebességet, és ezáltal megóvja az áramforrást és az összes mozgó alkatrészt a túl nagy sebességből eredő károsodástól. Ha probléma merül fel, keressen fel egy hivatalos szervizt.
- Ne szállítsa ezt a gépet, amikor az áramforrás működésben van.
- Amikor elmegy a munkaterületről, kapcsolja ki az áramforrást, és válassza le a gépet az elektromos ellátásról.
- Ne billentse meg a gépet, amikor az áramforrás működésben van.
- Az aprítógépet stabil, vízszintes talajra kell tenni.
- Az aprítógépet soha nem szabad a hátára, az elejére vagy az oldalára fektetni, mindig függőlegesen kell tartani.
- Ne próbálja túlterhelni az aprítógépet. Lassan adagolja az anyagot, és hagyja, hogy a gép a saját tempójában dolgozzon.
- Az indítás előtt gondoskodjon róla, hogy a bemeneti üreg üres legyen. Ne indítsa be az aprítógépet, amikor anyag van benne.
- Ne kapcsolja ki az aprítógépet, amíg teljesen ki nem ürült belőle az anyag, kivéve, ha vészhelyzet merült fel.
- Az aprítás előtt távolítsa el a kavicsokat és egyéb kemény tárgyakat a növények gyökereiből.
- Tartsa erősen a nagy gallyakat és a finom ágakat, amikor beadagolja őket az aprítógépbe.
- Ügyeljen rá, hogy a kimenetet soha ne takarja le vagy ne tömítse el semmi.

Elektromos biztonság



Mindig ellenőrizze, hogy a tápellátás megfelel-e az adattáblán feltüntetett feszültségnek.

- Ne használja a gépet, ha a hálózati kábel vagy a hálózati csatlakozódugó sérült.
- Csak olyan hosszabbító kábelt használjon amely megfelel a berendezés névleges teljesítményének és legalább 1,5 mm² vastag. Ha tekercset használ a hosszabbító kábelhez, mindig teljesen tekerje le a kábelt.

2. A GÉP ISMERTETÉSE

Rendeltetésszerű használat

Ezt az aprítógépet ágak, gallyak és egyéb metszéstermek felaprítására tervezték. Könnyedén csökkenthetők faforgács méretűre az újbóli felhasználás céljából. Az aprítógép kis és közepes méretű otthoni magánkertekhez készült, nem alkalmas nagyfokú igénybevételre.

MŰSZAKI ADATOK

Modellazonosító	GS502AC
Feszültség	230-240 V~
Frekvencia	50 Hz
Teljesítmény	2500 W (P40)*
Üresjárat fordulatszám	4200/perc
Legnagyobb vágási átmérő	45 mm**
Gyűjtőzsák kapacitása	45 l
Súly	10,3 kg
Védelmi szint	IPX4
Védelmi típus	II-es osztály
Hangteljesítményszint (Lwa)	106 dB***

* A P40 40%-os üzemmód 40 másodperces terheléses működést és 60 másodperces pihenőidőt jelent. Hosszantartó működtetés a gyakorlati haszn szempontjából megengedett.

** A fa keménységétől függően.

*** A 2000/14/EK és 2005/88/EK szabvány szerint mért értékek (1,60 m magasság, 1 m távolság) mérési térése +/- 3 dB.

LEÍRÁS

A szövegbeli számok a 2–3. oldal képeire utalnak.

1. Adagolótlöcsér
2. Géptest alsó része
3. Kerék
4. Láb
5. Váz
6. Gyűjtőzsák
7. Géptest felső része
8. Tolórúd
9. Túlterhelés-védelmi reset
10. Főkapcsoló

11. Gomb
12. Összekötő konzol
13. Kerékfedél
14. Pengevédő blokk
15. Penge
16. Penge csavarjai
17. Váz csavarjai
18. Távtartó
19. Tengelyhüvely
20. Kerékanya
21. Csavarkulcs
22. Imbuszkulcs

3. ÖSSZESZERELÉS



Szerelés előtt mindig kapcsolja ki a gépet, és húzza ki a hálózati csatlakozódugót.

A kerekek és a váz összeszerelése (G és H ábra)

1. Tolja át az összekötő konzolt (12) a váz (5) két alsó furatán.
2. Csatlakoztasson az összekötő konzol (12) mindkét felére távtartót (18), tengelyhüvelyt (19) és kereket (3). Ezután szorítsa meg az anyával (20).
3. Szerelje fel a kerékfedeleket (13) a kerékre (3).
4. Állítsa az aprítógépet fejfelé lefelé (az adagolótölcsérre) és illessze a vázat (5) a géptest első részéhez (2) a 4 db vázcsavar segítségével (16), majd szorítsa meg a csavarkulccsal (21).

4. MŰKÖDÉS



Használat előtt mindig szemrevételezze a pengéket, a pengék csavarjait és a vágószerelvényeket, hogy azok nem kopottak vagy sérültek-e. Kérjük, hogy tartsa kikapcsolva a gépet, és válassza le a tápellátásról. Cserélje ki a készülékek elhasználódott vagy sérült pengéit és csavarjait, hogy azok egyensúlyban maradjanak.



Ha a berendezés rendellenesen rezeg (azonnal ellenőrizze):
 - ellenőrizze, hogy nincs-e sérülés, - cserélje ki vagy javítsa meg a sérült alkatrészeket, - ellenőrizze, hogy az alkatrészek nem lazultak-e ki, majd szorítsa meg a kilazult alkatrészeket.



Azonnal kapcsolja ki a gépet a következő esetekben:
 - amikor felügyelet nélkül hagyja a gépet,
 - mielőtt megszünteti az eltömődéseket vagy kiüríti a csúszdát,
 - a gép ellenőrzése, tisztítása és működtetése előtt,
 - miután a gép idegen tárgyba ütközött.
 Ellenőrizze, hogy a gép nem sérült-e, és végezze el a javításokat a gép újraindítása és üzemeltetése előtt;



A gépet mindig szilárd és egyenes felületre tegye. Amikor a motor jár, soha ne próbálja megbillenteni vagy mozgatni a gépet.

A gép be- és kikapcsolása



Soha ne próbálja betenni a kezét az adagolótölcsérbe (1). Ha szeretné betolni az anyagot a vágókamrába, használja a tolórudat (8).

- Mielőtt a gépet beindítaná, csatlakoztassa a gyűjtőzsákok (6) a házon található két kampóhoz.
- A gép bekapcsolásához nyomja meg a főkapcsolót (10). Biztonsági intézkedésként az aprítógép csak akkor indul el, ha a tölcser rögzítő gombja teljesen meg van húzva.
- A gép kikapcsolásához nyomja meg a főkapcsolót (10).

Tudnivalók a munkához

- Az, hogy mennyire nehéz aprítani az ágakat és a metszési hulladékokat, függ a fa típusától, korától és szárazságától. A legjobb eredmények elérése érdekében érdemes frissen és puhán vágott száraz ágakat aprítani.
- Az aprítógép csak korlátozottan alkalmas olyan kerti hulladékok aprítására, amelyek puhák és sok növényi nedvet tartalmaznak (például almafélék vagy nedves növényi hulladékok). Ezeket az anyagokat egyből komposztálni kell.
- Vastag ágak aprításakor csak enyhén nyomást gyakoroljon, hogy elkerülje az aprítógép eltömődését.
- Tárolás előtt mindig hagyja lehűlni a gépet.



A biztonság kedvéért cserélje ki a kopott vagy sérült alkatrészeket. Kizárólag eredeti pótalkatrészeket és tartozékokat használjon.

Újraindítás elleni védelem

Ez a védelem gondoskodik róla, hogy a gép ne indulhasson újra véletlenül egy áramkimaradás után. Ha helyreállt az áramellátás, kapcsolja be újból a gépet.

Túlterhelés elleni védelem

Ha a gépet nagy terhelés éri (például a vágóhenger elakad), akkor a gép pár másodperc elteltével leáll. Kapcsolja ki a gépet és távolítsa el a csatlakozódugót. Nyomja meg a túlterhelés-védelmi reset gombot (9), majd indítsa újra az újbóli használathoz.

Eltömődések

Ha a gép eltömődik, kapcsolja azt ki és húzza ki a csatlakozódugót az aljzatból. Fordítsa el a géptest felső részén található gombot (11) az óramutató járásával ellentétes irányba, míg a géptest felső része meg nem lazul. Húzza azt felfelé és távolítsa magától, hogy hozzáférjen az aprítógép belsejéhez. Távolítsa el az eltömődést (legyen körültekintő, ne hogy hozzáférjen az éles pengékhez), majd helyezze vissza a géptest felső részét és húzza meg a gomb (11) teljes elfordításával az óramutató járásával megegyező irányba.

5. KARBANTARTÁS



Karbantartási munkák elvégzése előtt mindig válassza le a gépet a hálózati tápellátásról.

Az aprítógépet úgy terveztük, hogy hosszú ideig minimális karbantartás mellett működjön. A folyamatos megbízható működés a megfelelő ápolás és a rendszeres tisztítás függvénye.

- Tartsa tisztán és szárazon az aprítógépet.
- Kizárólag enyhe szappanos vízzel megnedvesített törülköendővel tisztítsa az aprítógépet. Soha ne hagyja, hogy folyadék kerüljön az eszközbe és az eszköz egyetlen részét se merítse folyadékba. Ne használjon maró hatású vagy oldószer alapú tisztítószer.
- Az aprítógép karbantartása során ügyeljen rá, hogy a biztonsági eszköz reteszelési funkciója miatt akkor is megmozdulhat az aprítógép, amikor az áramforrás ki van kapcsolva.
- Minden egyes munkavégzés után tisztítsa ki alaposan a gépből az összes port és törmelékét,

valamint javítsa meg vagy cserélje ki az esetlegesen meghibásodott alkatrészeket.

- Az eszköznek (főként a levegőnyílásoknak) mindig tisztának kell lennie.
- Soha ne permetezzen vizet az eszköz vázára!
- Mindig ellenőrizze az összes anya és csavar szoros illeszkedését, hogy a berendezés biztonságos működési állapotban legyen;
- A jelen dokumentumban meghatározott javításokat és munkákat csak szakképzett, engedéllyel rendelkező személyeknek szabad elvégezniük.
- Csak eredeti tartozékokat és eredeti pótalkatrészeket használjon. Azokat a komponenseket, amelyek cseréjére vonatkozóan nem szerepel utasítás, csak a gyártónak szabad kicserélnie. Más pótalkatrészek használata miatt a felhasználó baleseteket/sérüléseket szenvedhet. A gyártó nem vállal felelősséget az ilyen károkkért.

A vágópengék cseréje (F ábra)



Mielőtt bármilyen munkát végezne a gépen, húzza ki a hálózati csatlakozódugaszt a konnektorból.



A vágópengék cseréjéhez viseljen védőkesztyűt. A vágópenge megérintése sérülést eredményezhet.



Kizárólag a gyártó által javasolt pengéket használja.



A biztonság kedvéért cserélje ki a kopott vagy sérült alkatrészeket. Kizárólag eredeti pótalkatrészeket és tartozékokat használjon.

1. A géptest felső részének (7) kinyitásához fordítsa el a gombot (11) teljesen az óramutató járásával ellentétes irányba.
2. A gép két darab beépített pengével (16) rendelkezik, melyek cserélhetők. A penge eltávolításához lazítsa meg a penge két csavarját az imbuszkulcs (22) segítségével.
3. Helyezzen be új pengét és szorítsa meg a két csavart.
4. Zárja be a géptest felső részét és fordítsa el a gombot (11) teljesen az óramutató járásával megegyező irányba.

KÖRNYEZETVÉDELEM



A hibás vagy már feleslegessé vált elektromos, elektronikus készülékeket az ezzel foglalkozó gyűjtőpontokon kell leadni.

Csak EU országokban

Elektromos szerszámokat ne dobjon a háztartási hulladékba. Az elektromos és elektronikai hulladékokra vonatkozó, 2012/19/EU európai irányelv és annak a nemzeti törvénykezésbe történő átültetése értelmében az elhasználdott elektromos készülékeket külön kell gyűjteni és környezetbarát módon kell kiselejtezni.

JÓTÁLLÁS

A VONROC termékei a legmagasabb minőségi normák szerint készülnek, és az eredeti vásárlás napjától számított, törvényileg előírt időtartamig garantáljuk, hogy anyag- és gyártási hibáktól mentesen fognak működni. Ha a terméken ezen időszak alatt bármilyen hiba jelentkezik anyag- és/vagy gyártási hiba miatt, kérjük, forduljon közvetlenül a VONROC vállalathoz.

A szavatosság nem érvényes a következő körülmények egyikére sem:

- Nem hivatalos szervizközpontok javítást vagy módosítást végeztek (vagy megkíséreltek javítást vagy módosítást végezni) a gépen;
- Normál elhasználódás és kopás;
- A szerszámot erőszakosan vagy nem rendeltetésszerűen használták, vagy a karbantartása nem volt megfelelő;
- Nem eredeti pótalkatrészeket használtak.

A jelen garancia a vállalat által (akár kifejezetten, akár hallgatólagosan) biztosított kizárólagos garancia. Nem biztosítunk más garanciákat (sem kifejezett, sem hallgatólagos garanciákat, beleértve az értékesíthetőségre és az adott célra való alkalmasságra vonatkozó hallgatólagos garanciákat is), amelyek a jelen garancia hatáskörén túlmutatnak. A VONROC semmilyen esetben sem felelős semmilyen járulékos vagy következményes kárért. A forgalmazók jogorvoslati teendői az előírásoknak nem megfelelő egységek vagy alkatrészek javítására és cseréjére korlátozódnak.

1. BEZPEČNOSTNÍ POKYNY

Přečtěte si přiložené bezpečnostní výstrahy, dodatečné bezpečnostní výstrahy a bezpečnostní pokyny. Nebudete-li dodržovat tyto bezpečnostní výstrahy a pokyny, může dojít k úrazu elektrickým proudem, k vzniku požáru nebo k vážnému zranění. Uchovejte tyto bezpečnostní výstrahy a pokyny pro budoucí použití.

V tomto návodu a na tomto výrobku jsou použity následující symboly:



Přečtěte si návod k obsluze!



Nebezpečí zranění osob.



Označuje nebezpečí, varování nebo upozornění.



Používejte ochranu zraku a sluchu.



Před nastavováním, čištěním nebo pokud je kabel zapletený nebo poškozený, vypněte zařízení a odpojte jeho zástrčku od elektrické zásuvky.



Dávejte pozor, aby osoby nacházející se v blízkosti nebyly zasaženy cizími předměty vymrštěnými ze stroje. Varování: Při provozu udržujte bezpečnou vzdálenost od tohoto stroje.



Nebezpečí: Rotující nože. Udržujte ruce a nohy v dostatečné vzdálenosti od otvorů, je-li tento stroj v chodu.



Počkejte, dokud se všechny součásti tohoto stroje zcela nezastaví, než se jich budete dotýkat.



Nepoužívejte toto zařízení jako schůdky.



Nevystavujte dešti.



Zaručená hladina akustického výkonu LWA = 106 dB(A)



Nevyhazujte tento výrobek do nevhodného kontejneru.



Tento výrobek je vyroben v souladu s platnými bezpečnostními normami, které jsou uvedeny ve směrniciích EU.

ZÁKLADNÍ BEZPEČNOSTNÍ VÝSTRAHY PRO ELEKTRICKÉ NÁŘADÍ



VAROVÁNÍ! Přečtěte si všechny bezpečnostní výstrahy a všechny pokyny.

Nebudete-li dodržovat tyto bezpečnostní výstrahy a pokyny, může dojít k úrazu elektrickým proudem, ke vzniku požáru nebo k vážnému zranění.

Uchovejte všechny bezpečnostní výstrahy a pokyny pro budoucí použití.

Pojem elektrické nářadí v těchto varováních odkazuje na elektrické nářadí napájené z elektrické sítě (s napájecím kabelem) nebo z akumulátoru (bez napájecího kabelu).

1) Bezpečnost pracovního prostoru

- a) **Udržujte pracoviště uklizené a dobře osvětlené.** Neuklizená nebo tmavá místa přilouvají nehody.
- b) **Nepoužívejte elektrická nářadí ve výbušných prostředích, jako jsou místa s přítomností hořlavých kapalin, plynů nebo prachu.** V elektrickém nářadí dochází k jiskření, které může způsobit vznícení prachu nebo výparů.
- c) **Při práci s tímto elektrickým nářadím udržujte děti a okolo stojící osoby v bezpečné vzdálenosti.** Rozptylování může způsobit ztrátu kontroly nad nářadím.

2) Elektrická bezpečnost

- a) **Zástrčka napájecího kabelu nářadí musí odpovídat zásuvce. Zástrčku nikdy žádným způsobem neupravujte. Nepoužívejte u uzemněného elektrického nářadí žádné adaptéry zástrček.** Neupravené zástrčky a odpovídající zásuvky sníží riziko úrazu elektrickým proudem.
- b) **Vyvarujte se kontaktu s uzemněnými povrchy, jako jsou potrubí, radiátory, trouby a ledničky.** Dojde-li k uzemnění vašeho těla, hrozí zvýšené riziko způsobení úrazu elektrickým proudem.

- c) **Nevystavujte elektrické nářadí dešti ani vlhkému prostředí.** Dostane-li se do elektrického nářadí voda, zvýší se riziko úrazu elektrickým proudem.
- d) **Nezacházejte špatně s napájecím kabelem. Nikdy nepoužívejte napájecí kabel pro přenášení nebo tahání tohoto elektrického nářadí a netahejte za tento kabel při odpojování zástrčky od zásuvky. Dbejte na to, aby tento kabel nepřecházel přes horké a mastné povrchy nebo přes ostré hrany, a aby se nedostal do kontaktu s pohyblivými se částmi.** Poškozené nebo zamotané kabely zvyšují riziko úrazu elektrickým proudem.
- e) **Používáte-li elektrické nářadí venku, používejte prodlužovací kabel vhodný pro venkovní použití.** Použití prodlužovacího kabelu pro venkovní použití snižuje riziko úrazu elektrickým proudem.
- f) **Musíte-li používat toto elektrické nářadí ve vlhkém prostředí, používejte v elektrickém obvodu proudový chránič (RCD).** Použití proudového chrániče (RCD) snižuje riziko úrazu elektrickým proudem.
- 3) Bezpečnost osob**
- a) **Při práci s tímto elektrickým nářadím buďte stále pozorní; sledujte, co provádíte, a používejte zdravý rozum. Nepoužívejte elektrické nářadí, jste-li unaveni nebo jste-li pod vlivem drog, alkoholu nebo léků.** Chvilková nepozornost při práci s elektrickým nářadím může vést k velmi nebezpečným zraněním.
- b) **Používejte osobní ochranné prostředky. Vždy používejte ochranu zraku.** Ochranné prostředky, jako jsou maska proti prachu, neklouzavá pracovní ochranná obuv, pevná přilba nebo chrániče sluchu, které jsou používány v příslušných podmínkách, zmenšují riziko způsobení zranění osob.
- c) **Zabraňte náhodnému spuštění nářadí. Před připojením elektrického nářadí k napájecímu zdroji nebo před vložením akumulátoru do nářadí, před zvednutím nářadí nebo před jeho přenášením se ujistěte, zda je spínač nářadí v poloze vypnuto.** Přenášení elektrického nářadí s prstem na spínači nebo připojení elektrického nářadí ke zdroji elektrické energie, je-li spínač v poloze zapnuto, zvyšuje pravděpodobnost vzniku nehod.
- d) **Před zapnutím elektrického nářadí vždy odstraňte všechny klíče a seřizovací přípravky.** Klíče nebo seřizovací přípravky ponechané na rotující části elektrického nářadí mohou způsobit zranění osob.
- e) **Nepřeceňujte své síly. Vždy udržujte správný postoj a rovnováhu.** Tak si zachováte lepší kontrolu nad nářadím v neočekávaných situacích.
- f) **Vhodně se oblékejte. Nenoste volný oděv nebo šperky. Udržujte vlasy, oblečení a rukavice v bezpečné vzdálenosti od všech pohyblivých částí.** Volný oděv, šperky nebo dlouhé vlasy mohou být zachyceny pohyblivými se částmi.
- g) **Jsou-li zařízení vybavena adaptérem pro připojení odsávacího systému, ujistěte se, zda je odsávací zařízení správně připojeno a zda správně plní svoji funkci.** Použití odsávání prachu může snížit rizika spojená s prací v prašném prostředí.
- h) **Nedovoľte, aby jistota získaná častým používáním nářadí vedla ke snížení vaší pozornosti a ignorování zásad bezpečné práce s nářadím.** Chvilková nepozornost může během zlomku sekundy způsobit vážné zranění.
- 4) Použití elektrického nářadí a jeho údržba**
- a) **Nepřetěžujte elektrické nářadí. Používejte pro prováděnou práci správné elektrické nářadí.** Správné elektrické nářadí provede práci lépe a bezpečněji, je-li použito pro práce, pro které je určeno.
- b) **Nepoužívejte elektrické nářadí, nepracuje-li správně jeho spouštěcí spínač.** Elektrické nářadí, které nelze ovládat pomocí spouštěcího spínače, je velmi nebezpečné a musí být opraveno.
- c) **Před prováděním jakéhokoliv seřízení, před výměnou příslušenství a/nebo před uložením odpojte napájecí kabel nářadí od napájecího zdroje nebo z nářadí vyjměte akumulátor.** Tato preventivní bezpečnostní opatření snižují riziko náhodného spuštění elektrického nářadí.
- d) **Uložte nepoužívané elektrické nářadí mimo dosah dětí a nedovoľte osobám, které nejsou obeznámeny s tímto nářadím nebo s těmito pokyny, aby toto elektrické nářadí používaly.** Elektrické nářadí je v rukách neproškolených osob nebezpečné.
- e) **Provádějte údržbu elektrického nářadí. Zkontrolujte vychýlení nebo zablokování pohyblivých částí, poškození součástí a jiné stavy, které by mohly mít vliv na správnou funkci nářadí. Je-li**

- elektrické nářadí poškozeno, zajistěte jeho opravu dřive, než jej použijete.** Mnohé nehody bývají způsobeny nedostatečnou údržbou elektrického nářadí.
- f) **Udržujte řezné nástroje ostré a čisté.** U správně udržovaných řezných nástrojů s ostrými řeznými břity je menší pravděpodobnost jejich zablokování a lépe se s nimi pracuje.
- g) **Používejte elektrické nářadí, příslušenství, pracovní nástroje atd. v souladu s těmito pokyny a berte v úvahu pracovní podmínky a práci, která má být provedena.** Použití elektrického nářadí pro operace, pro které není určeno, může vést k nebezpečným situacím.
- h) **Dbejte na to, aby byly rukojeti a úchopné povrchy suché, čisté a zbavené olejů a maziv.** Kluzké rukojeti a úchopné plochy neumožňují bezpečnou manipulaci a ovládání nářadí v neočekávaných situacích.
- 5) **Použití a údržba akumulátorového nářadí**
- a) **K nabíjení používejte výhradně nabíječku předepsanou výrobcem.** Nabíječka vhodná pro jeden typ akumulátoru může způsobit požár při vložení jiného, nevhodného typu.
- b) **Používejte elektrické nářadí pouze s předepsanými akumulátory.** Použití jiných typů akumulátoru může způsobit požár nebo zranění.
- c) **Není-li akumulátor používán, uložte jej mimo dosah kovových předmětů, jako jsou kancelářské sponky, mince, klíče, hřebíky, šroubky nebo jiné malé kovové předměty, které by mohly zkratovat jeho kontakty.** Zkratování kontaktů akumulátoru může způsobit popáleniny nebo požár.
- d) **Za nevhodných podmínek může z akumulátoru unikat kapalina. Vyvarujte se kontaktu s touto kapalinou. Dojde-li k náhodnému kontaktu s touto kapalinou, zasažené místo omyjte vodou. Dostane-li se kapalina do očí, ihned si je vypláchněte vodou a vyhledejte lékařskou pomoc.** Unikající kapalina z akumulátoru může způsobit podráždění pokožky nebo popáleniny.
- e) **Nepoužívejte poškozený nebo upravený akumulátor či nářadí.** Poškozené nebo upravené akumulátory se mohou chovat nepředvídatelně, což může způsobit požár, výbuch nebo nebezpečí zranění.
- f) **Nevystavujte akumulátor nebo nářadí ohni ani nadměrným teplotám.** Vystavení účinkům ohně nebo teplot nad 130 °C může způsobit výbuch. POZNÁMKA: Teplota „130 °C“ odpovídá teplotě „265 °F“.
- g) **Dodržujte všechny pokyny pro nabíjení a ne-nabíjejte akumulátor ani nářadí mimo teplotní rozsah předepsaný v těchto pokynech.** Nesprávné nabíjení nebo nabíjení při teplotě mimo předepsaný rozsah může poškodit akumulátor a zvýšit nebezpečí vzniku požáru.
- 6) **Servis**
- a) **Svěřte opravu svého elektrického nářadí pouze osobě s příslušnou kvalifikací, která bude používat výhradně originální náhradní díly.** Tím zajistíte bezpečný provoz tohoto elektrického nářadí.
- b) **Nikdy neopravujte poškozené akumulátorové moduly.** Opravy akumulátorů smí provádět výhradně výrobce nebo technik autorizovaného servisu.

DALŠÍ BEZPEČNOSTNÍ POKYNY PRO ZAH-RADNÍ DRTIČE

- Tento zahradní drtič používejte pouze v případě, je-li v obvodu zařazen proudový chránič (RCD) s vybavovacím proudem nižším než 30 mA.
- Při použití prodlužovacího kabelu se ujistěte, zda je určen pro venkovní použití a je i tak označen. Doporučený prodlužovací kabel je typu H05VV-F nebo H05RN-F, s průřezem vodiče minimálně 1,5 mm² a maximální délkou 10 metrů.
- Před použitím prodlužovací kabel zcela rozviňte, abyste zabránili přehřívání a ztrátě výkonu stroje. Při uklízení kabel opatrně navíjejte, abyste zabránili jeho přelomení.
- Toto zařízení nesmí používat osoby s omezenými fyzickými, smyslovými nebo duševními schopnostmi (včetně dětí), nebo osoby s nedostatkem zkušeností a znalostí, pokud nejsou pod dozorem nebo nebyly poučeny o správném používání zařízení osobou odpovědnou za jejich bezpečnost. Děti musí být pod dozorem, aby bylo zajištěno, že si s tímto výrobkem nebudou hrát.



VAROVÁNÍ: Po vypnutí tohoto stroje se jeho nože budou ještě několik sekund otáčet.

- Často kontrolujte stav nožů tohoto drtiče. Poškozený nůž musí být okamžitě vyměněn. Při výměně nože dodržujte doporučená opatření.
- Před použitím zkontrolujte napájecí a prodlužovací kabel, zda nejsou poškozeny a zda nejsou známky stárnutí. Pokud se kabel během používání poškodí, okamžitě odpojte tento kabel od sítě.

- PŘED ODPOJENÍM OD NAPÁJENÍ SE TOHOTO KABELU NEDOTÝKEJTE.
- Nepřipojujte poškozený kabel do sítě, ani se nedotýkejte poškozeného kabelu dříve, než jej odpojíte od napájení. Poškozený kabel může způsobit kontakt s částmi pod napětím.
- Nepoužívejte tento zahradní drtič, je-li jeho kabel poškozen nebo opotřebován.
- Pečlivě si přečtěte návod k obsluze. Seznamte se s ovládacími prvky a správným používáním tohoto zařízení. Nepracujte s tímto strojem za špatného počasí, a to zejména v případech, kdy hrozí výskyt blesků. Při obsluze stroje vždy noste pevnou obuv a dlouhé kalhoty.
- Udržujte děti a domácí zvířata v dostatečné vzdálenosti od pracovního prostoru a nikdy nedovolte dětem používat toto zařízení, ani se dotýkat napájecího nebo prodlužovacího kabelu. Není-li toto zařízení používáno, uložte jej na bezpečném místě mimo dosah dětí.



VAROVÁNÍ: Z důvodu omezení rizik, odpojte zástrčku od sítě a používejte pouze doporučené příslušenství; v opačném případě může dojít ke zranění osob.

- Při práci s tímto strojem vždy používejte ochranu sluchu a ochranné brýle.
- Pokud drčení způsobuje zviření prachu nebo částic, používejte ochranu proti prachu.
- Zvolte oděv vhodný pro prováděnou práci – žádné volné oblečení, které by se mohlo zachytit do pohyblivých částí stroje.
- Dlouhé vlasy si stáhněte dozadu a noste pokrývku hlavy.
- Provozujte tento stroj pouze v otevřeném prostoru (například ne v blízkosti stěn nebo jiného pevného předmětu) a na pevném, rovném povrchu.
- Neprovozujte tento stroj na zpevněném nebo šterkovém povrchu, na jakém by mohl vymrštěný materiál způsobit zranění.
- Před každým použitím tento zahradní drtič důkladně zkontrolujte, zda na něm nejsou uvolněné nebo poškozené součásti. Zařízení nepoužívejte, dokud neprovedete seřízení nebo opravy.
- Poškozené a nečitelné štítky nahraďte.
- Používejte pouze vodotěsný a zcela rozvinutý prodlužovací kabel vhodný pro venkovní použití.
- Toto zařízení je určeno pouze pro venkovní použití.
- Nevystavujte toto zařízení dešti.
- Používejte tento drtič pouze za denního světla nebo při kvalitním umělém osvětlení.
- Nikdy nenechávejte toto zařízení bez dozoru.
- Nepoužívejte toto zařízení na místech, kde by mohlo způsobit výbuch nebo požár – udržujte jej mimo dosah hořlavých kapalin a plynů.
- Chraňte se před úrazem elektrickým proudem – zabraňte kontaktu těla s uzemněnými povrchy, jako jsou kovové brány, sloupy nebo jiné kovové předměty v pracovním prostoru.
- Nikdy netahejte toto zařízení za jeho napájecí kabel. Při převážení nebo přenášení použijte obě ruce.
- Nenechávejte napájecí kabel ležet na ostrých předmětech, které by mohly prorazit jeho vnější izolaci. Před použitím proveďte vizuální kontrolu napájecího kabelu a pokud je poškozený, nechejte jej vyměnit ve specializovaném servisu. Výrobek nepoužívejte, je-li kabel poškozený.
- Napájecí kabel chraňte před teplem, mrazem, oleji, rozpouštědly a jakýmkoli ostrými předměty nebo hranami.
- Nepoužívejte toto zařízení, jste-li pod vlivem silných léků, necítíte-li se dobře nebo jestliže jste požíli alkohol.
- Nikdy se nepokoušejte vkládat ruku do vkladací náস্যky. Chcete-li materiál vtláčit do drtičí komory, použijte tlačnou tyč.
- Před spuštěním stroje se podívejte do podávací komory, abyste se ujistili, zda je prázdná.
- Udržujte svůj obličej a tělo v dostatečné vzdálenosti od podávacího otvoru.
- Nevkládejte ruce ani žádnou jinou část těla nebo oděvu do podávací komory, výstupního otvoru, ani do blízkosti jakékoli pohyblivé součásti.
- Vždy udržujte správný postoj a rovnováhu. Nepřeceňujte své síly. Při vkládání materiálu do tohoto stroje nikdy nestůjte výše, než je základna stroje.
- Při práci s tímto strojem nikdy nestůjte před výstupním otvorem.
- Při vkládání materiálu do stroje buďte velmi opatrní, aby se do něj nedostaly kusy kovu, kameny, lahve, plechovky ani jiné cizí předměty.
- Narazí-li drtičí mechanismus na cizí předmět nebo začne-li stroj vydávat neobvyklé zvuky nebo vibrovat, odpojte napájecí zdroj a počkejte na zastavení stroje (elektrická jednotka odpojena od napájení):

- zkontrolujte možné poškození
- zkontrolujte, zda nejsou některé součásti uvolněné, popřípadě je dotáhněte
- svěťte výměnu nebo opravu poškozených dílů autorizovanému servisu a použijte pouze náhradní díly a příslušenství doporučené výrobcem.
- Nedovolte, aby se zpracovávaný materiál hromadil u výstupního otvoru. Bylo by bráněno správnému vypadávání rozdrčeného materiálu a mohlo by dojít ke zpětnému rázu materiálu přes otvor pro vkládání materiálu.
- Dojde-li k zablokování tohoto stroje, před odstraňováním nečistot odpojte tento stroj od zdroje napájení (odpojte elektrickou jednotku od napájení). Udržujte zdroj energie bez nečistot a jiných nahromaděných látek, abyste zabránili poškození zdroje energie nebo možnému požáru. Pamatujte na to, že použití spouštěcího mechanismu u strojů poháněných motorem způsobí pohyb drticích nástrojů.
- Udržujte všechny ochranné a usměrňovací kryty na jejich místech a v dobrém provozním stavu.
- Neměňte nastavení na regulátoru napájecího zdroje. Regulátor reguluje bezpečné maximální provozní otáčky a chrání napájecí zdroj a všechny pohyblivé součásti před poškozením způsobeným nadměrnými otáčkami. V případě problému vyhledejte autorizovaný servis.
- Nepřepravujte tento stroj, je-li zapnutý jeho napájecí zdroj.
- Vždy vypněte napájecí zdroj a odpojte stroj od napájení před opuštěním pracovního prostoru.
- Nenaklánějte tento stroj, když je-li zapnutý jeho napájecí zdroj.
- Tento zahradní drtič musí být postaven na pevném a rovném povrchu.
- Nikdy nepokládejte tento zahradní drtič na jeho zadní, přední nebo boční stranu – vždy jej postavte do svislé polohy.
- Nepřetěžujte tento zahradní drtič – materiál vkládejte pomalu a nechejte stroj pracovat jeho vlastním tempem.
- Před zahájením práce se ujistěte, zda je vkládací prostor prázdný. Nezapínejte tento drtič, nachází-li se v něm materiál.
- Pokud se nejedná o nouzovou situaci, nevypínejte tento zahradní drtič, dokud nebude zcela prázdný.
- Před drčením odstraňte z kořenů rostlin kameny a jiné tvrdé předměty.
- Velké větve nebo drobné větvičky při vkládání do drtiče pevně držte.
- Nedovolte, aby byl výstup materiálu zakrytý nebo ucpaný.

Elektrická bezpečnost



Vždy zkontrolujte, zda se napájecí napětí sítě shoduje s napájecím napětím na výkonovém štítku.

- Nepoužívejte tento stroj, je-li poškozen jeho napájecí kabel nebo síťová zásuvka.
- Používejte pouze prodlužovací kabely, které jsou vhodné pro příkon tohoto nářadí a které mají minimální průřez 1,5 mm². Budete-li používat prodlužovací kabel na cívce, vždy odmotajte celý kabel.

2. INFORMACE O NÁŘADÍ

Určené použití

Tento zahradní drtič je vyvinut pro drčení větví, větviček a dalšího odpadu z prořezávání stromů. Lze je snadno zpracovat na dřevěnou drť, která najde široké uplatnění na zahradě. Tento drtič je určen pro malé až středně velké soukromé zahrady v domácnosti, není určen pro náročné použití.

TECHNICKÉ ÚDAJE

Model č.	GS502AC
Napětí	230–240 V~
Frekvence	50 Hz
Výkon	2 500 W (P40)*
Otáčky naprázdno	4 200/min.
Maximální průměr větve	45 mm**
Objem sběrného vaku	45 l
Hmotnost	10,3 kg
Krytí	IPX4
Typ ochrany	Třída II
Úroveň akustického výkonu (Lwa)	106 dB***

- * Provozní režim P40 40 % znamená práci v zátěžovém profilu po dobu 40 sekund a 60 sekund chodu naprázdno. Pro praktické použití je povolen dlouhodobý provoz.

** V závislosti na tvrdosti dřeva.

*** Naměřené hodnoty určené podle požadavků norem 2000/14/EC a 2005/88/EC (výška 1,60 m, vzdálenost 1 m), tolerance měření +/- 3 dB.

POPIS

Čísla v následujícím textu odkazují na obrázky na stranách 2–3.

1. Vkládací násypka
2. Spodní část
3. Kolečko
4. Opěrná noha
5. Rám
6. Sběrný vak
7. Horní část
8. Tlačná tyč
9. Reset ochrany proti přetížení
10. Spínač zapnuto/vypnuto
11. Upínací šroub
12. Spojovací tyč
13. Kryt kolečka
14. Ochranný blok nožů
15. Nůž
16. Upínací šroub nože
17. Montážní šrouby rámu
18. Distanční kroužky
19. Pouzdro
20. Matice kola
21. Klíč na matice
22. Šestihranný klíč

3. SESTAVENÍ



Před sestavením nářadí vždy vypněte a odpojte zástrčku napájecího kabelu od síťové zásuvky.

Sestavení kol a rámu (obr. G a H)

1. Zasuňte spojovací tyč (12) do dvou spodních otvorů v rámu (5).
2. Na každou stranu spojovací tyče (12) nasadte distanční vložku (18), pouzdro (19) a kolečko (3). Potom proveďte utažení pomocí matice (20).
3. Nasadte na kolečko (3) příslušný kryt (13).
4. Otočte a postavte drtič spodní stranou nahoru (na vkládací násypku) a připevněte rám (5) ke spodní části (2) pomocí 4 montážních šroubů rámu (16) a utáhněte je klíčem na matice (21).

4. POUŽITÍ



Před použitím vždy proveďte vizuální kontrolu, zda nejsou opotřebené ani poškozené nože, šrouby nožů i celý mechanismus drtiče. Zajistěte prosím, aby bylo vypnuto napájení a odpojte napájecí kabel. Vyměňte opotřebené nebo poškozené nože a šrouby v sadách, abyste zachovali vyvážení.



Pokud začne stroj neobvykle vibrovat (provedte okamžitě kontrolu):
- proveďte kontrolu poškození, - vyměňte nebo opravte jakékoli poškozené části, - zkontrolujte, zda nedošlo k uvolnění částí a je-li to nutné, utáhněte je.



Okamžitě vypněte tento stroj v následujících případech:
- vždy, když stroj opouštíte,
- před odstraněním nahromaděného materiálu ze stroje,
- před kontrolou, čištěním nebo jinou prací na stroji,
- po nárazu neznámého předmětu.
Zkontrolujte stroj, zda není poškozen, a před opětovným nastartováním a používáním stroje proveďte opravy.



Vždy postavte tento stroj na pevný a rovný povrch. Nikdy nenaklánějte ani nepohybujte s tímto strojem, je-li jeho motor v chodu.

Zapnutí a vypnutí stroje



Nikdy se nepokoušejte vkládat ruku do vkládací násypky (1). Chcete-li materiál vtlačit do drtičí komory, použijte tlačnou tyč (8).

- Před spuštěním tohoto stroje upevněte sběrný vak (6) na oba háčky krytu stroje.
- Chcete-li tento stroj zapnout, stiskněte spínač zapnuto (10). Tento drtič je vybaven bezpečnostní funkcí, která neumožňuje jeho spuštění, dokud nebude zajišťovací šroub násypky zcela dotažen.
- Chcete-li tento stroj vypnout, stiskněte spínač vypnuto (10).

Pracovní pokyny

- Větve a odpad z prořezávaných dřevin se drtí hůře, a to v závislosti na stáří a vysušení dřeva. Nejlepších výsledků dosáhnete drcením měkkých a čerstvě ostříhaných větvíček.
- Vhodnost drtiče pro drcení zahradního odpadu, který je měkký a obsahuje velké množství tektutiny (například jádrové ovoce, vlhký rostlinný odpad), je omezená. Tento materiál může být kompostován bez drcení.
- Při drcení silných větví vyvíjejte pouze mírný tlak, aby nedošlo k zablokování drtiče.
- Před uložením nechejte tento stroj vždy vychladnout.



Z důvodu zajištění bezpečnosti vyměňte opotřebované nebo poškozené díly. Používejte pouze originální náhradní díly a příslušenství.

Ochrana před restartem

Tato ochrana zabraňuje náhodnému spuštění stroje po výpadku napájení. Po obnovení napájení musíte tento stroj znovu ručně zapnout.

Ochrana proti přetížení

Je-li tento stroj vystaven velkému zatížení (dojde-li například k zaseknutí drtícího válce), zastaví se po několika sekundách. Vypněte napájení a odpojte napájecí kabel od zásuvky. Stiskněte reset ochrany proti přetížení (9) a chcete-li stroj opět používat, proveďte restart.

Zablokování

Dojde-li kdykoli k zablokování tohoto stroje, proveďte jeho vypnutí a odpojte zástrčku napájecího kabelu od zásuvky. Otáčejte upínacím šroubem horní části (11) proti směru pohybu hodinových ručiček, dokud nedojde k uvolnění horní části. Vytáhněte ji nahoru a směrem od sebe, aby došlo k odkrytí vnitřního prostoru drtiče. Odstraňte všechny předměty způsobující zablokování (dávajte pozor, abyste se nedostali do kontaktu s ostrými noži), nasadte zpět horní část stroje a proveďte znovu její utažení otáčením upínacího šroubu (11) ve směru pohybu hodinových ručiček až do dorazové polohy.

5. ÚDRŽBA



Před prováděním jakéhokoli úkonu údržby tento stroj vždy odpojte od napájecího zdroje.

Váš drtič byl navržen tak, aby pracoval dlouhou dobu s minimálními nároky na údržbu. Nepřetržitý uspokojivý provoz závisí na správné péči a pravidelném čištění.

- Udržujte drtič čistý a suchý.
- Při čištění drtiče používejte pouze jemný čistící prostředek a vlhký hadřík. Nedovolte, aby se do nářadí dostala jakákoli kapalina a nikdy žádnou část nářadí neponořujte do kapaliny. Nepoužívejte žádné čistící prostředky s abrazivou nebo rozpouštědly.
- Při údržbě zahradního drtiče mějte na paměti, že i když je zdroj napájení vypnutý, kvůli blokovací funkci bezpečnostního zařízení se může drtič stále pohybovat.
- Po dokončení práce stroj důkladně vyčistěte, abyste odstranili veškerý prach a nečistoty, a opravte nebo vyměňte všechny vadné díly.
- Udržujte zařízení, zejména jeho větrací otvory, vždy čisté.
- Nikdy nestříkejte vodu na tělo zařízení!
- Udržujte všechny matice, šrouby a vruty řádně utaženy, abyste zajistili bezpečný provozní stav tohoto zařízení.
- Opravy a práce popsané v tomto návodu smí provádět pouze kvalifikovaný a oprávněný personál.
- Používejte pouze originální příslušenství a originální náhradní díly. Části, jejichž výměna není vysvětlena, smí vyměňovat výhradně výrobce. Použití jiných náhradních dílů může mít za následek nehodu / zraněním uživatele. Za žádné takové škody výrobce neručí.

Výměna sekacího nože (obr. F)



Před prováděním jakékoliv práce na tomto stroji odpojte zástrčku jeho napájecího kabelu od síťové zásuvky.



Při výměně sekacích nožů používejte ochranné rukavice. Nebezpečí zranění při kontaktu se sekacím nožem.



Používejte pouze nože, které jsou doporučeny výrobcem.



Kvůli bezpečnosti vyměňte opotřebené nebo poškozené díly. Používejte pouze originální náhradní díly a příslušenství.

1. Otáčejte upínacím šroubem (11) proti směru pohybu hodinových ručiček až do dorazové polohy, aby došlo k otevření horní části stroje (7).
2. V tomto stroji jsou použity dva sekací nože (16), které mohou být vyměněny. Pomocí šestihranového klíče (22) povolte na každém noži dva šrouby, aby bylo umožněno vyjmutí těchto nožů.
3. Vložte nové nože a utáhněte oba jejich šrouby.
4. Zavřete horní část stroje a otáčejte upínacím šroubem (11) ve směru pohybu hodinových ručiček až do dorazové polohy.

OCHRANA ŽIVOTNÍHO PROSTŘEDÍ



Poškozená a likvidovaná elektrická nebo elektronická zařízení musí být odevzdána ve sběrných dvorech, které jsou určeny pro tento účel.

Pouze pro země EU

Nevyhazujte elektrická nářadí do běžného domácího odpadu. Podle evropské směrnice 2012/19/EC týkající se likvidace elektrických a elektronických zařízení a její implementace do vnitrostátního práva, musí být nepoužívaná elektrická nářadí shromažďována odděleně a jejich likvidace musí být provedena tak, aby nedošlo k ohrožení životního prostředí.

ZÁRUKA

Výrobky VONROC jsou vyvíjeny v souladu s požadavky norem na nejvyšší kvalitu a je zaručeno, že po dobu platné záruky, která začíná běžet dnem původního nákupu, nebudou na těchto výrobcích žádné vady materiálu, ani vady způsobené špatným dílenským zpracováním. Dojde-li během tohoto období k závadě v důsledku vady materiálu nebo dílenského zpracování, kontaktujte přímo firmu VONROC.

Z této záruky jsou vyloučeny následující případy:

- Opravy nebo úpravy tohoto zařízení byly provedeny nebo byly provedeny pokusy o jejich provedení v neautorizovaných servisech.

- Běžné opotřebování.
- Toto zařízení bylo nesprávně použito, nevhodně použito nebo nebyla prováděna jeho správná údržba.
- Byly použity neoriginální náhradní díly.

Výše uvedené představuje jedinou záruku poskytovanou společností, ať už výslovnou nebo předpokládanou. Neexistují žádné další záruky, výslovné ani nebo předpokládané, které přesahují rámec zde uvedeného, včetně předpokládaných záruk prodejnosti a vhodnosti pro určitý účel. VONROC v žádném případě neodpovídá za jakékoliv náhodné ani následné škody. Opravné prostředky prodejců se omezují výhradně na opravu nebo výměnu nevyhovujících jednotek nebo dílů.

Na tomto výrobku a v tomto návodu mohou být prováděny změny. Specifikace mohou být změněny bez dalšího upozornění.



DECLARATION OF CONFORMITY GS502AC - SHREDDER

- (EN) We declare under our sole responsibility that this product is in conformity with directive 2011/65/EU of the European parliament and of the council of 8 June on the restriction of the use of certain hazardous substances in electrical and electronic equipment is in conformity and accordance with the following standards and regulations:
- (DE) Der Hersteller erklärt eigenverantwortlich, dass dieses Produkt der Richtlinie 2011/65/EU des Europäischen Parlaments und des Rates vom 8. Juni 2011 über die Einschränkung der Anwendung von bestimmten gefährlichen Stoffen in elektrischen und elektronischen Geräten entspricht. den folgenden Standards und Vorschriften entspricht:
- (NL) Wij verklaren onder onze volledige verantwoordelijkheid dat dit product voldoet aan de conform Richtlijn 2011/65/EU van het Europees Parlement en de Raad van 8 juni 2011 betreffende beperking van het gebruik van bepaalde gevaarlijke stoffen in elektrische en elektronische apparatuur en in overeenstemming is met de volgende standaarden en reguleringen:
- (FR) Nous déclarons sous notre seule responsabilité que ce produit est conforme aux standards et directives suivants: est conforme à la Directive 2011/65/EU du Parlement Européen et du Conseil du 8 juin 2011 concernant la limitation d'usage de certaines substances dangereuses dans l'équipement électrique et électronique.
- (ES) Declaramos bajo nuestra exclusiva responsabilidad que este producto cumple con las siguientes normas y estándares de funcionamiento: se encuentra conforme con la Directiva 2011/65/UE del Parlamento Europeo y del Consejo de 8 de junio de 2011 sobre la restricción del uso de determinadas sustancias peligrosas en los equipos eléctricos y electrónicos.
- (IT) Dichiariamo, sotto la nostra responsabilità, che questo prodotto è conforme alle normative e ai regolamenti seguenti: è conforme alla Direttiva 2011/65/UE del Parlamento Europeo e del Consiglio dell'8 giugno 2011 sulla limitazione dell'uso di determinate sostanze pericolose nelle apparecchiature elettriche ed elettroniche.
- (SV) Vi garanterar på eget ansvar att denna produkt uppfyller och följer följande standarder och bestämmelser: uppfyller direktiv 2011/65/EU från Europeiska parlamentet och EG-rådet från den 8 juni 2011 om begränsningen av användning av farliga substanser i elektrisk och elektronisk utrustning.
- (DA) Vi erklærer under eget ansvar, at dette produkt er i overensstemmelse med følgende standarder og bestemmelser: er i overensstemmelse med direktiv 2011/65/EU fra Europa-Parlamentet og Rådet af 8. juni 2011 om begrænsning af anvendelsen af visse farlige stoffer i elektrisk og elektronisk udstyr.
- (PL) Deklarujemy na własną odpowiedzialność, że ten produkt spełnia wymogi zawarte w następujących normach i przepisach: jest zgodny z Dyrektywą 2011/65/UE Parlamentu Europejskiego i Rady z dnia 8 czerwca 2011 r. w sprawie ograniczenia stosowania niektórych niebezpiecznych substancji w sprzęcie elektrycznym i elektronicznym.
- (RO) Declaram prin aceasta ca răspunderea deplină că produsul acesta este în conformitate cu următoarele standarde sau directive: este în conformitate cu Directiva 2011/65/UE a Parlamentului European și a Consiliului din 8 iunie 2011 cu privire la interzicerea utilizării anumitor substanțe periculoase la echipamentele electrice și electronice.
- (PT) Declaramos, sob nossa exclusiva responsabilidade, que este produto está em conformidade com a directiva 2011/65/UE do Parlamento Europeu e com a directiva do conselho de 8 de Junho sobre a restrição da utilização de determinadas substâncias perigosas em equipamento eléctrico e electrónico está em conformidade e de acordo com as seguintes normas e regulamentações:
- (HU) Kizárólagos felelősségünk tudatában kijelentjük, hogy a termék megfelel az Európai Parlamentnek és a Tanácsnak az egyes veszélyes anyagok elektromos és elektronikus berendezésekben való alkalmazásának korlátozásáról szóló 2011/65/EU irányelvének (június 8.), valamint a következő szabványoknak és jogszabályoknak:
- (CS) Prohlašujeme na svou výhradní odpovědnost, že tento výrobek splňuje požadavky směrnice 2011/65/EU Evropské rady a parlamentu ze dne 8. června, která se týká omezení používání určitých nebezpečných látek v elektrických a elektronických zařízeních, a splňuje také všechny požadavky následujících norem a předpisů:

EN 60335-1, EN 60335-2-77, EN 62233, EN 55014-1, EN 55014-2, EN 61000-3-2, EN 61000-3-11, 2006/42/EC, 2014/30/EU, 2000/14/EC ANNEX V & 2005/88/EC, 2012/19/EU, 2011/65/EU

Zwolle, 01-10-2022

H.G.F Rosberg
CEO

VONROC • Lingenstraat 6 • 8028 PM Zwolle • The Netherlands



VONROC®
BUILD YOUR FUTURE

©2022 VONROC
WWW.VONROC.COM

2210-04