



VONROC®

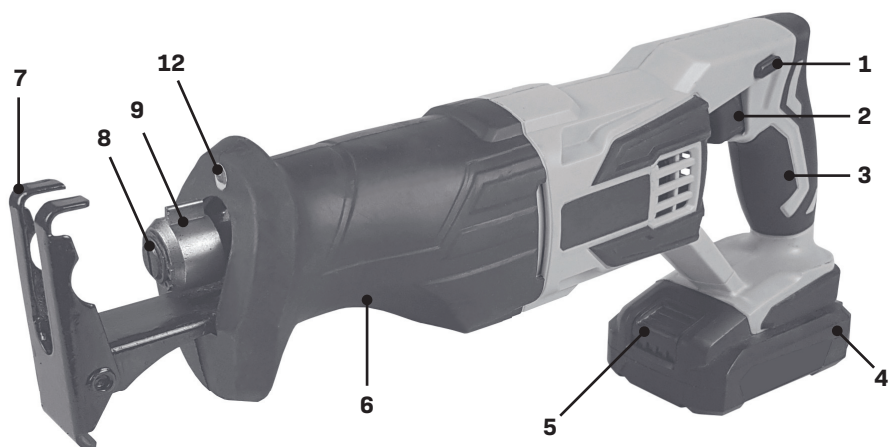
BUILD YOUR FUTURE

RECIPROCATING SAW RS501DC / S_RS501DC / S2_RS501DC S3_RS501DC / S4_RS501DC

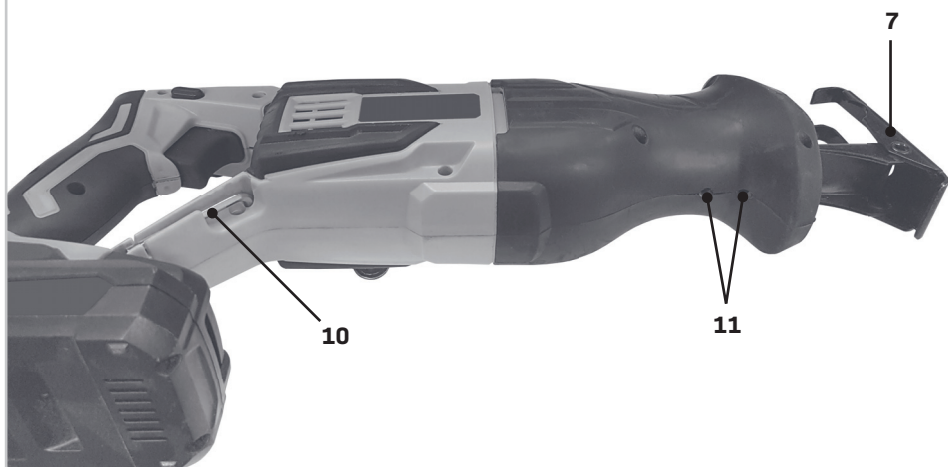


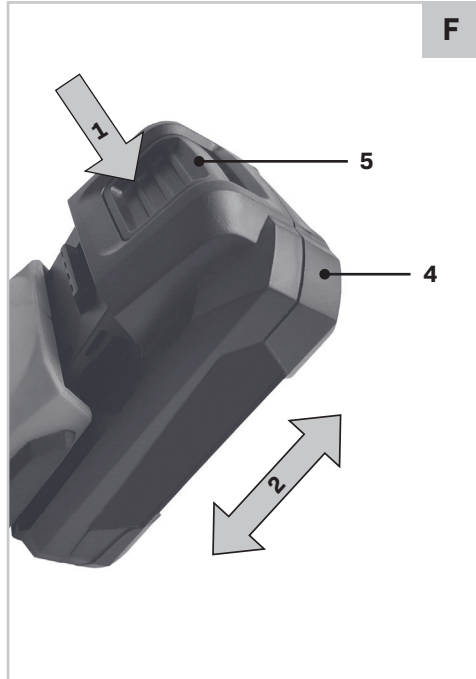
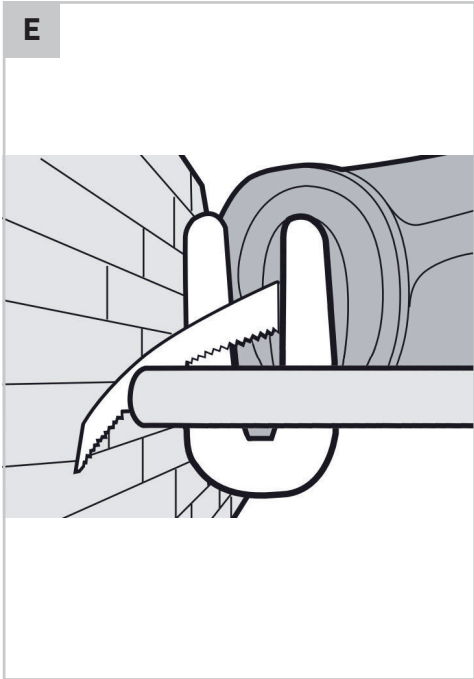
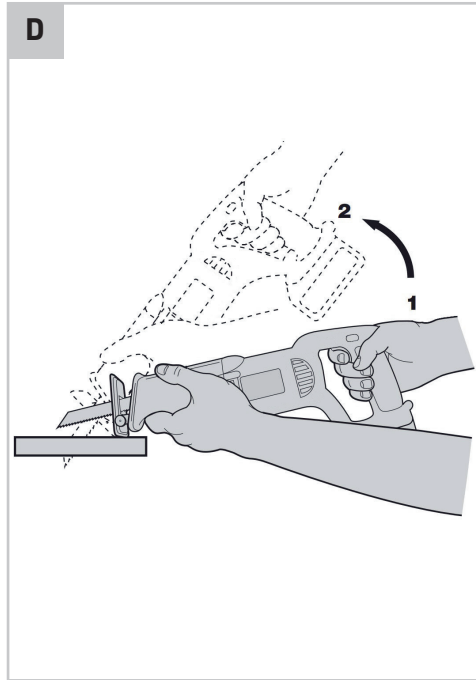
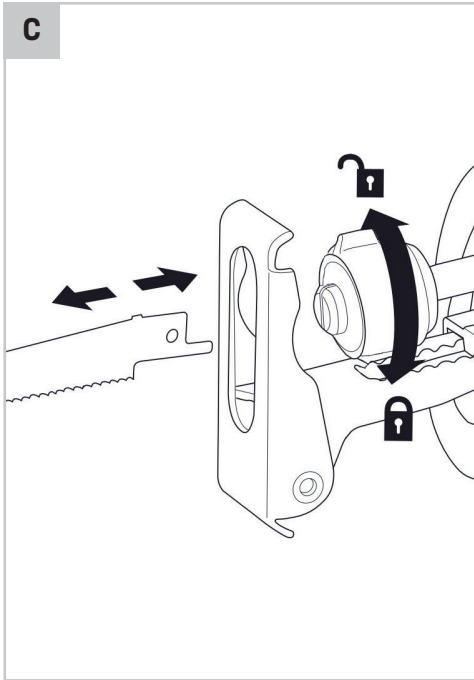
EN Original Instructions	05	DA Original vejledning	58
DE Übersetzung Der Originalbetriebsanleitung	12	PL Tłumaczenie instrukcji oryginalnej	66
NL Vertaling van de oorspronkelijke gebruiksaanwijzing	20	RO Traducere a instrucțiunilor originale	74
FR Traduction de la notice originale	27	PT Instruções originais	81
ES Traducción del manual original	35	HU Az eredeti használati útmutató fordítása	89
IT Traduzione delle istruzioni originali	43	CS Překlad originálního návodu k obsluze	97
SV Bruksanvisning i original	51	TR Orijinal talimatların çevirisi	105

A

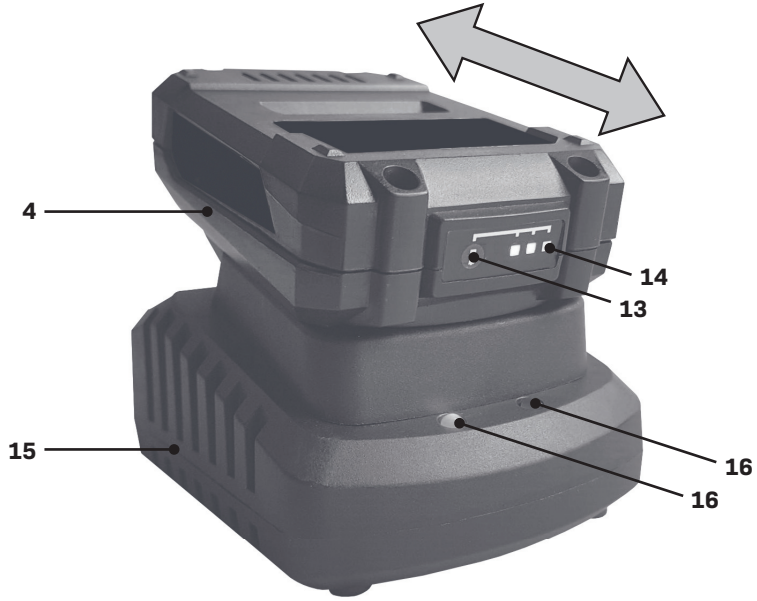


B





G



1. SAFETY INSTRUCTIONS

Read the enclosed safety warnings, the additional safety warnings and the instructions. Failure to follow the safety warnings and the instructions may result in electric shock, fire and/or serious injury. Save the safety warnings and the instructions for future reference.

The following symbols are used in the user manual or on the product:



Read the user manual.



Denotes risk of personal injury, loss of life or damage to the tool in case of non-observance of the instructions in this manual.



Keep bystanders, especially children and pets, at a distance greater than 10m.



Wear eye protection.



Wear ear protection.



Wear a dust mask protection.



Danger Area! Keep hands far away (10cm) from the cutting area while the machine is running. Danger of injury when coming in contact with the saw blade.



Indoor use only.



Class II machine - Double insulation - You don't need any earthed plug.



Time-lag miniature fuse-link.



Max temperature 45°C.



Do not throw the battery into fire.



Do not throw the battery into water.



Separate collection for Li-ion battery.



The product is in accordance with the applicable safety standards in the European directives.

GENERAL POWER TOOL SAFETY WARNINGS



WARNING! Read all safety warnings and all instructions. Failure to follow the warnings and instructions may result in electric shock, fire and/or serious injury.

Save all warnings and instructions for future reference.

The term "power tool" in the warnings refers to your mains-operated (corded) power tool or battery-operated (cordless) power tool.

1) Work area safety

- a) **Keep the work area clean and well lit.** Cluttered or dark areas invite accidents.
- b) **Do not operate power tools in explosive atmospheres, such as in the presence of flammable liquids, gases or dust.** Power tools create sparks which may ignite the dust or fumes.
- c) **Keep children and bystanders away while operating a power tool.** Distractions can cause you to lose control.

2) Electrical safety

- a) **Power tool plugs must match the outlet. Never modify the plug in any way. Do not use any adapter plugs with earthed (grounded) power tools.** Unmodified plugs and matching outlets will reduce risk of electric shock.
- b) **Avoid body contact with earthed or grounded surfaces, such as pipes, radiators, ranges and refrigerators.** There is an increased risk of electric shock if your body is earthed or grounded.
- c) **Do not expose power tools to rain or wet conditions.** Water entering a power tool will increase the risk of electric shock.
- d) **Do not abuse the cord. Never use the cord for carrying, pulling or unplugging the power tool. Keep cord away from heat, oil, sharp edges or moving parts.** Damaged or entangled cords increase the risk of electric shock.
- e) **When operating a power tool outdoors, use an extension cord suitable for outdoor use.** Use of a cord suitable for outdoor use reduces the risk of electric shock.
- f) **If operating a power tool in a damp location is unavoidable, use a residual current device (RCD) protected supply.** Use of an RCD reduces the risk of electric shock.

3) Personal safety

- a) **Stay alert, watch what you are doing and use common sense when operating a power tool.** Do not use a power tool while you are tired or under the influence of drugs, alcohol or medication. A moment of inattention while operating power tools may result in serious personal injury.
- b) **Use personal protective equipment. Always wear eye protection.** Protective equipment such as dust mask, non-skid safety shoes, hard hat, or hearing protection used for appropriate conditions will reduce personal injuries.
- c) **Prevent unintentional starting. Ensure the switch is in the off-position before connecting to power source and/or battery pack, picking up or carrying the tool.** Carrying power tools with your finger on the switch or energising power tools that have the switch on invites accidents.
- d) **Remove any adjusting key or wrench before turning the power tool on.** A wrench or a key left attached to a rotating part of the power tool may result in personal injury.
- e) **Do not overreach. Keep proper footing and balance at all times.** This enables better control of the power tool in unexpected situations.
- f) **Dress properly. Do not wear loose clothing or jewellery. Keep your hair, clothing and gloves away from moving parts.** Loose clothes, jewellery or long hair can be caught in moving parts.
- g) **If devices are provided for the connection of dust extraction and collection facilities, ensure these are connected and properly used.** Use of dust collection can reduce dust related hazards.
- h) **Do not let familiarity gained from frequent use of tools allow you to become complacent and ignore tool safety principles.** A careless action can cause severe injury within a fraction of a second.

4) Power tool use and care

- a) **Do not force the power tool. Use the correct power tool for your application.** The correct power tool will do the job better and safer at the rate for which it was designed.
- b) **Do not use the power tool if the switch does not turn it on and off.** Any power tool that cannot be controlled with the switch is dangerous and must be repaired.
- c) **Disconnect the plug from the power source and/or the battery pack from the power tool before making any adjustments, changing accessories,**

or storing power tools. Such preventive safety measures reduce the risk of starting the power tool accidentally.

- d) **Store idle power tools out of the reach of children and do not allow persons unfamiliar with the power tool or these instructions to operate the power tool.** Power tools are dangerous in the hands of untrained users.
- e) **Maintain power tools. Check for misalignment or binding of moving parts, breakage of parts and any other condition that may affect the power tool's operation. If damaged, have the power tool repaired before use.** Many accidents are caused by poorly maintained power tools.
- f) **Keep cutting tools sharp and clean.** Properly maintained cutting tools with sharp cutting edges are less likely to bind and are easier to control.
- g) **Use the power tool, accessories and tool bits etc. in accordance with these instructions, taking into account the working conditions and the work to be performed.** Use of the power tool for operations different from those intended could result in a hazardous situation.
- h) **Keep handles and grasping surfaces dry, clean and free from oil and grease.** Slippery handles and grasping surfaces do not allow for safe handling and control of the tool in unexpected situations.

5) Battery tool use and care

- a) **Recharge only with the charger specified by the manufacturer.** A charger that is suitable for one type of battery pack may create a risk of fire when used with another battery pack.
- b) **Use power tools only with specifically designated battery packs.** Use of any other battery packs may create a risk of injury and fire.
- c) **When battery pack is not in use, keep it away from other metal objects, like paper clips, coins, keys, nails, screws or other small metal objects that can make a connection from one terminal to another.** Shorting the battery terminals together may cause burns or a fire.
- d) **Under abusive conditions, liquid may be ejected from the battery; avoid contact. If contact accidentally occurs, flush with water. If liquid contacts eyes, additionally seek medical help.** Liquid ejected from the battery may cause irritation or burns.
- e) **Do not use a battery pack or tool that is damaged or modified.** Damaged or modified

batteries may exhibit unpredictable behaviour resulting in fire, explosion or risk of injury.

- f) **Do not expose a battery pack or tool to fire or excessive temperature.** Exposure to fire or temperature above 130 °C may cause explosion. NOTE The temperature „130 °C“ can be replaced by the temperature „265 °F“.
 - g) **Follow all charging instructions and do not charge the battery pack or tool outside the temperature range specified in the instructions.** Charging improperly or at temperatures outside the specified range may damage the battery and increase the risk of fire.
- 6) Service**
- a) **Have your power tool serviced by a qualified repair person using only identical replacement parts.** This will ensure that the safety of the power tool is maintained.
 - b) **Never service damaged battery packs.** Service of battery packs should only be performed by the manufacturer or authorized service providers.

SAFETY WARNINGS FOR RECIPROCATING SAWS

- **Hold power tool by insulated gripping surfaces, when performing an operation where the cutting accessory may contact hidden wiring.** Cutting accessory contacting a “live” wire may make exposed metal parts of the power tool “live” and could give the operator an electric shock.
- **Keep hands away from the sawing range. Do not reach under the workpiece.** Contact with the saw blade can lead to injuries.
- **Apply the machine to the workpiece only when switched on.** Otherwise there is danger of kickback when the cutting tool jams in the workpiece.
- **When sawing, the base plate must always faces against the workpiece.** The saw blade can become wedged and lead to loss of control over the machine.
- **When the cut is completed, switch off the machine and then pull the saw blade out of the cut only after it has come to a standstill.** In this manner you can avoid kickback and can place down the machine securely.
- **Use only undamaged saw blades that are in perfect condition.** Bent or dull saw blades can break, negatively influence the cut, or lead to kickback.
- **Do not brake the saw blade to a stop by applying side pressure after switching off.** The saw blade can be damaged, break or cause kickback.

- **Use clamps or another practical way to secure and support the workpiece to a stable platform.** Holding the workpiece by hand or against your body leaves it unstable and may lead to loss of control.
- **Use appropriate detectors to determine if utility lines are hidden in the work area or call the local utility company for assistance.** Contact with electric lines can lead to fire and electric shock. Damaging a gas line can lead to explosion. Penetrating a water line causes property damage.
- **When working with the machine, always hold it firmly with both hands and provide for a secure stance.** The power tool is guided more secure with both hands.
- **Secure the workpiece.** A workpiece clamped with clamping devices or in a vice is held more secure than by hand.
- **Always wait until the machine has come to a complete stop before placing it down.** The tool insert can jam and lead to loss of control over the power tool.

SAFETY WARNINGS FOR BATTERY

- a) **Do not open the battery.** Danger of short-circuiting.
- b) **Protect the battery against heat, e. g., against continuous intense sunlight, fire, water, and moisture.** Danger of explosion.
- c) **In case of damage and improper use of the battery, vapours may be emitted. Ventilate the area and seek medical help in case of complaints.** The vapours can irritate the respiratory system.
- d) **Use the battery only in conjunction with your Vonroc product.** This measure alone protects the battery against dangerous overload.
- e) **The battery can be damaged by pointed objects such as nails or screwdrivers or by force applied externally.** An internal short circuit can occur and the battery can burn, smoke, explode or overheat.

SAFETY WARNINGS FOR CHARGER

Intended use

Charge only CD801AA and CD803AA type rechargeable Battery packs with the charger. Other types of batteries may burst causing personal injury and damage.

- a) **The appliance is not to be used by persons (including children) with reduced physical, sensory or mental capabilities, or lack of expe-**

rience and knowledge, unless they have been given supervision or instruction.

- b) Children being supervised not to play with the appliance.
- c) Do not recharging non-rechargeable batteries!
- d) During charging, batteries must be placed in the well ventilated area!

Electrical safety



Always check that the voltage of the power supply corresponds to the voltage on the rating plate.

- Do not use the machine if the mains cable or the mains plug is damaged.
- Only use extension cables that are suitable for the power rating of the machine with a minimum thickness of 1.5 mm². If you use an extension cable reel, always fully unroll the cable.

2. MACHINE INFORMATION

Intended use

The machine is intended for sawing wood, plastic and metal while keeping the baseplate resting firmly on the workpiece. It is suitable for straight and curved cuts. It is also possible to cut flush to the workpiece surface. A suitable saw blade must always be used.

TECHNICAL SPECIFICATIONS



This manual has been drawn up for different sets / article numbers. Check the corresponding article number in below specifications table for the correct composition and contents of your set.

Model No.	Batteries included	Chargers included
RS501DC	-	-
S_RS501DC	CD801AA	CD802AA
S2_RS501DC	2 x CD801AA	CD802AA
S3_RS501DC	CD803AA	CD802AA
S4_RS501DC	CD801AA	CD802AA

Machine information	
Rated voltage	20V
No load speed	0-2800/min
Saw stroke	22mm
Max. saw capacity wood	100mm
Max. saw capacity steel	10mm
Weight	1.57 kg
Sound pressure level L _{PA}	82.2 dB(A), K=3dB(A)
Sound power level L _{WA}	93.2 dB(A), K=3dB(A)
Vibration 'sawing wooden beam'	16.844 m/s ² K=1.5 m/s ²
Vibration 'sawing plywood'	18.067 m/s ² K=1.5 m/s ²

Model No.	CD801AA
Battery Type	Lithium-Ion
Voltage	20V
Capacity	2.0 Ah
Recommended charger	CD802AA
Weight	0.3 kg

Model No.	CD802AA
Charger input	220-240V, 50Hz 0.4A
Charger output	21V 2.5A
Charging time 2Ah battery	60 minutes
Charging time 4Ah battery	120 minutes
Recommended batteries	CD801AA, CD803AA
Weight	0.36 kg

Model No.	CD803AA
Battery Type	Lithium-Ion
Voltage	20V
Capacity	4.0 Ah
Recommended charger	CD802AA
Weight	0.65 kg

Only use the following batteries of the VONROC VPOWER 20V battery platform. Using any other batteries could cause serious injury or damage the tool.

CD801AA 20V, 2Ah Lithium-Ion
CD803AA 20V, 4Ah Lithium-Ion

The following charger of the can be used to charge these batteries.

CD802AA Quick charger

The batteries of the VONROC VPOWER 20V battery platform are interchangeable with all the VONROC VPOWER 20V battery platform tools.

Vibration level

The vibration emission level stated in this instruction manual has been measured in accordance with a standardized test given in EN 62841; it may be used to compare one tool with another and as a preliminary assessment of exposure to vibration when using the tool for the applications mentioned.

- Using the tool for different applications, or with different or poorly maintained accessories, may significantly increase the exposure level.
- The times when the tool is switched off or when it is running but not actually doing the job, may significantly reduce the exposure level.

Protect yourself against the effects of vibration by maintaining the tool and its accessories, keeping your hands warm, and organizing your work patterns.

DESCRIPTION

The numbers in the text refer to the diagrams on page 2-4.

1. Lock-off button
2. On/Off button
3. Handle
4. Battery
5. Battery unlock button
6. Auxiliary handle
7. Baseplate
8. Chuck
9. Clamping lever
10. Hex key
11. Baseplate bolts
12. Worklight
13. Battery LED indicators button
14. Battery LED indicators
15. Charger
16. Charger LED indicators

3. ASSEMBLY



Before any work on the power tool, remove the battery.



The battery must be charged before first use.

Inserting the battery into the machine (Fig. A, F)



Ensure that the exterior of the battery is clean and dry before connecting to the charger or machine.

1. Insert the battery (4) into the base of the machine as shown in Fig. F.
2. Push the battery further forward until it clicks into place.

Removing the battery from the machine (Fig. A, F)

1. Push the battery unlock button (5)
2. Pull the battery out of the machine like shown in Fig. F.

Checking the battery charging status (Fig. G)

- To check the battery charge status, push the button (13) on battery shortly.
- The battery has 3 lights indicating the charge level, the more lights that burn, the more charge the battery has left.
- When the lights are not burning it means the battery is empty and must be charged immediately.

Charging the battery with the charger (Fig. G)

1. Take the battery (4) from the machine.
2. Turn the battery (4) to upside down position and slide it onto the charger (15) as shown in Fig. G.
3. Push the battery until it is fully pushed into the slot.
4. Plug the charger plug into an electrical outlet and wait for a while. The LED indicators on the charger (16) will lighten up and show the charger status.

The charger has 2 LED indicators (16) which indicate the status of the charging process:

Red LED Status	Green LED status	Charger status
Off	Off	No power
Off	On	Standby mode: - No battery is inserted or, - Battery inserted but charging has finished
On	Off	Battery charging in progress

- Fully charging the 2Ah battery may take up to 60 minutes.
- Fully charging the 4Ah battery may take up to 120 minutes.

After the battery is fully charged remove the charger plug from the outlet and remove the battery from the charger.



When the machine is not being used over a longer period of time it is best to store the battery in charged condition.

Replacing the saw blade (Fig. A, C)



When mounting the saw blade, wear protective gloves. Danger of injury when touching the saw blade.



Only use saw blades that correspond with the characteristic data given in the operating instructions.

Mounting the saw blade



Make sure the blade holder is free of material debris (such as splinters of wood or metal).

1. Turn the clamping lever (9) as far to the left as possible and hold it in this position.
2. Insert the saw blade in the chuck (8). Check that the saw blade is securely fixed and that the teeth are pointing downwards.
3. Let go of the clamping lever. Check whether the saw blade is locked in place.

Make sure to use the right sawblade for the corresponding material. Included with the machine is a coarse sawblade for wood and a fine sawblade for metal and plastics.

Removing the saw blade

1. Turn the clamping lever (9) as far to the left as possible and hold it in this position.
2. Remove the saw blade from the chuck (8).
3. Let go of the clamping lever.

4. OPERATION

Switching the machine on/off (Fig. A)

The on/off switch (2) is used for activating the machine and adjusting speed.

- To start the machine, press and hold the lock-off button (1) and press the on/off switch (2).
- The further the on/off switch (2) is being pushed, the faster the blade will move. The required speed depends on the material and can be determined by practical testing.
- To stop the machine, release the on/off switch (2).

Adjusting the base plate (Fig. B)

Due to its movability, the baseplate (7) angle adapts to the workpiece. Furthermore, the length of the baseplate can be adjusted depending on the required sawing depth.

1. Loosen the baseplate bolts (11) using the hex key (10) provided.
2. Adjust the baseplate (7).
3. Tighten the baseplate bolts (11) using the hex key (10) provided. It is possible to store the hex key onto the machine, as shown on Fig. B.

Plunge cutting (Fig. D)

Plunge cutting may only be used on soft materials such as wood, aerated concrete, gypsum plaster boards, etc. However, this requires a certain practise and is only possible with short saw blades.

1. Place the saw onto the workpiece and switch it on.
2. Ensure that the bottom edge of the footplate rests on the workpiece surface as shown.
3. Slowly saw into the workpiece at an angle, moving the saw to a vertical position and continue to saw along the cutting line.
4. Switch the saw off and lift off the workpiece when the work is complete.

Flush cutting (Fig. E)

Elastic bi-metal saw blades allow you to saw protruding objects (e.g. water pipes, iron bars, etc.) nearby the wall.

1. Apply the saw blade directly to the wall and bend slightly so that the footplate rests against the wall. Pay attention that the saw blade always extends beyond the diameter of the material being worked.
2. Switch the machine on and saw off the workpiece keeping constant lateral pressure against the wall.

Optimum use

- Adjust saw blade and stroke rate to suit the material to be processed. For right radius curves it is best to use a narrow saw blade. Apply coolant or lubricant to deal with the fluttering produced along the cut line when sawing metal.
- Check wood, chip boards, building materials etc, for hard materials (nails, screws etc.), before sawing and remove them, if necessary.
- Clamp material well. Do not support the workpiece with hand or foot. Do not touch objects or the floor with the saw running (danger of backlash).
- Put the footplate on the surface of the workpiece, and saw through it with constant contact pressure or feed. If the saw blade seizes switch the machine off immediately. Spread the gap with a suitable tool and pull out the saw blade.
- After finishing work, switch off the machine and only put down after it has come to a complete standstill.

5. MAINTENANCE

Before cleaning and maintenance, always switch off the machine and remove the battery pack from the machine.

Clean the machine casings regularly with a soft cloth, preferably after each use. Make sure that the ventilation openings are free of dust and dirt. Remove very persistent dirt using a soft cloth moistened with soapsuds. Do not use any solvents such as gasoline, alcohol, ammonia, etc. Chemicals such as these will damage the synthetic components.

ENVIRONMENT

Faulty and/or discarded electrical or electronic apparatus have to be collected at the appropriate recycling locations.

Only for EC countries

Do not dispose of power tools into domestic waste. According to the European Guideline 2012/19/EC for Waste Electrical and Electronic Equipment and its implementation into national right, power tools that are no longer usable must be collected separately and disposed of in an environmentally friendly way.

WARRANTY

VONROC products are developed to the highest quality standards and are guaranteed free of defects in both materials and workmanship for the period lawfully stipulated starting from the date of original purchase. Should the product develop any failure during this period due to defective material and/or workmanship then contact VONROC directly.

The following circumstances are excluded from this guarantee:

- Repairs and or alterations have been made or attempted to the machine by unauthorized service centers;
- Normal wear and tear;
- The tool has been abused, misused or improperly maintained;
- Non-original spare parts have been used.

This constitutes the sole warranty made by company either expressed or implied. There are no other warranties expressed or implied which extend beyond the face hereof, herein, including the implied warranties of merchantability and fitness for a particular purpose. In no event shall VONROC be liable for any incidental or consequential damages. The dealers remedies shall be limited to repair or replacement of nonconforming units or parts.

The product and the user manual are subject to change. Specifications can be changed without further notice.

1. SICHERHEITSANWEISUNGEN

Lesen Sie die beiliegenden Sicherheitsanweisungen, die zusätzlichen Sicherheitsanweisungen sowie diese Bedienungsanleitung sorgfältig durch. Bei Nichtbeachten der Sicherheitsanweisungen und der Bedienungsanleitung kann es zu einem Stromschlag, einem Brand und/oder schweren Verletzungen kommen. Bewahren Sie die Sicherheitsanweisungen und die Bedienungsanleitung zur künftigen Bezugnahme sicher auf.

Folgende Symbole werden im Benutzerhandbuch oder auf dem Produkt verwendet:



Benutzerhandbuch/Bedienungsanleitung lesen.



Lebens- und Verletzungsgefahr und Gefahr von Beschädigungen am Werkzeug/Gerät bei Nichteinhaltung der Anweisungen in dieser Bedienungsanleitung.



Halten Sie Zuschauer fern.



Augenschutz tragen.



Ohrschützer tragen.



Tragen Sie eine Staubschutzmaske.



Gefahrenbereich! Halten Sie die Hände (10 cm) vom Schnittbereich entfernt während die Maschine in Betrieb ist. Verletzungsgefahr, wenn man in Kontakt mit dem Sägeblatt gerät.



Nur zur Benutzung in Innenräumen.



Werkzeug/Gerät der Schutzklasse II - schutzisoliert - kein Schutzkontaktanschluss erforderlich.



Sicherungseinsatz für träge Sicherungen.



Höchsttemperatur 45°C.



Batterien/Akkus nicht in offene Feuer werfen.



Batterien/Akkus nicht ins Wasser werfen.



Der Li-Ionen-Akku muss separat der Wertstoffsammlung zugeführt werden.



Das Produkt entspricht den geltenden Sicherheitsnormen der europäischen Richtlinien.

ALLGEMEINE SICHERHEITSHINWEISE



WARNUNG! Lesen Sie alle Sicherheitshinweise, Anweisungen, Bilderungen und technischen Daten, mit denen dieses Elektrowerkzeug versehen ist. Versäumnisse bei der Einhaltung der nachfolgenden Anweisungen können elektrischen Schlag, Brand und/oder schwere Verletzungen verursachen.

Bewahren Sie alle Sicherheitshinweise und Anweisungen für die Zukunft auf.

Der in den Sicherheitshinweisen verwendete Begriff „Elektrowerkzeug“ bezieht sich auf netzbetriebene Elektrowerkzeuge (mit Netzleitung) oder auf akkubetriebene Elektrowerkzeuge (ohne Netzleitung).

1) Arbeitsplatzsicherheit

- a) **Halten Sie Ihren Arbeitsbereich sauber und gut beleuchtet.** Unordnung oder unbeleuchtete Arbeitsbereiche können zu Unfällen führen.
- b) **Arbeiten Sie mit dem Elektrowerkzeug nicht in explosionsgefährdeter Umgebung, in der sich brennbare Flüssigkeiten, Gase oder Stäube befinden.** Elektrowerkzeuge erzeugen Funken, die den Staub oder die Dämpfe entzünden können.
- c) **Halten Sie Kinder und andere Personen während der Benutzung des Elektrowerkzeugs fern.** Bei Ablenkung können Sie die Kontrolle über das Elektrowerkzeug verlieren.

2) Elektrische Sicherheit

- a) **Der Anschlussstecker des Elektrowerkzeugs muss in die Steckdose passen. Der Stecker darf in keiner Weise verändert werden. Verwenden Sie keine Adapterstecker gemeinsam mit geschützten Elektrowerkzeugen.** Unveränderte Stecker und passende Steckdosen verringern das Risiko eines elektrischen Schlages.
- b) **Vermeiden Sie Körperkontakt mit geerdeten Oberflächen wie von Rohren, Heizungen, Herden und Kühlschränken.** Es besteht ein erhöhtes Risiko durch elektrischen Schlag, wenn Ihr Körper geerdet ist.

- c) **Halten Sie Elektrowerkzeuge von Regen oder Nässe fern.** Das Eindringen von Wasser in ein Elektrowerkzeug erhöht das Risiko eines elektrischen Schlages.
- d) **Zweckentfremden Sie die Anschlussleitung nicht, um das Elektrowerkzeug zu tragen, aufzuhängen oder um den Stecker aus der Steckdose zu ziehen. Halten Sie die Anschlussleitung fern von Hitze, Öl, scharfen Kanten oder sich bewegenden Teilen.** Beschädigte oder verwickelte Anschlussleitungen erhöhen das Risiko eines elektrischen Schlages.
- e) **Wenn Sie mit einem Elektrowerkzeug im Freien arbeiten, verwenden Sie nur Verlängerungsleitungen, die auch für den Außenbereich geeignet sind.** Die Anwendung einer für den Außenbereich geeigneten Verlängerungsleitung verringert das Risiko eines elektrischen Schlages.
- f) **Wenn der Betrieb des Elektrowerkzeugs in feuchter Umgebung nicht vermeidbar ist, verwenden Sie einen Fehlerstromschutzschalter.** Der Einsatz eines Fehlerstromschutzschalters vermindert das Risiko eines elektrischen Schlages.
- 3) Sicherheit von Personen**
- a) **Seien Sie aufmerksam, achten Sie darauf, was Sie tun, und gehen Sie mit Vernunft an die Arbeit mit einem Elektrowerkzeug. Benutzen Sie kein Elektrowerkzeug, wenn Sie müde sind oder unter dem Einfluss von Drogen, Alkohol oder Medikamenten stehen.** Ein Moment der Unachtsamkeit beim Gebrauch des Elektrowerkzeugs kann zu ernsthaften Verletzungen führen.
- b) **Tragen Sie persönliche Schutzausrüstung und immer eine Schutzbrille.** Das Tragen persönlicher Schutzausrüstung, wie Staubmaske, rutschfeste Sicherheitsschuhe, Schutzhelm oder Gehörschutz, je nach Art und Einsatz des Elektrowerkzeugs, verringert das Risiko von Verletzungen.
- c) **Vermeiden Sie eine unbeabsichtigte Inbetriebnahme. Vergewissern Sie sich, dass das Elektrowerkzeug ausgeschaltet ist, bevor Sie es an die Stromversorgung und/oder den Akku anschließen, es aufnehmen oder tragen.** Wenn Sie beim Tragen des Elektrowerkzeugs den Finger am Schalter haben oder das Elektrowerkzeug eingeschaltet an die Stromversorgung anschließen, kann dies zu Unfällen führen.
- d) **Entfernen Sie Einstellwerkzeuge oder Schraubenschlüssel, bevor Sie das Elektrowerkzeug einschalten.** Ein Werkzeug oder Schlüssel, der sich in einem drehenden Teil des Elektrowerkzeugs befindet, kann zu Verletzungen führen.
- e) **Vermeiden Sie eine abnormale Körperhaltung. Sorgen Sie für einen sicheren Stand und halten Sie jederzeit das Gleichgewicht.** Dadurch können Sie das Elektrowerkzeug in unerwarteten Situationen besser kontrollieren.
- f) **Tragen Sie geeignete Kleidung. Tragen Sie keine weite Kleidung oder Schmuck. Halten Sie Haare und Kleidung fern von sich bewegenden Teilen.** Lockere Kleidung, Schmuck oder lange Haare können von sich bewegenden Teilen erfasst werden.
- g) **Wenn Staubabsaug- und -auffangeinrichtungen montiert werden können, sind diese anzuschließen und richtig zu verwenden.** Verwendung einer Staubabsaugung kann Gefährdungen durch Staub verringern.
- h) **Wiegen Sie sich nicht in falscher Sicherheit und setzen Sie sich nicht über die Sicherheitsregeln für Elektrowerkzeuge hinweg, auch wenn Sie nach vielfachem Gebrauch mit dem Elektrowerkzeug vertraut sind.** Achtloses Handeln kann binnen Sekundenbruchteilen zu schweren Verletzungen führen.
- 4) Verwendung und Behandlung des Elektrowerkzeugs**
- a) **Überlasten Sie das Elektrowerkzeug nicht. Verwenden Sie für Ihre Arbeit das dafür bestimmte Elektrowerkzeug.** Mit dem passenden Elektrowerkzeug arbeiten Sie besser und sicherer im angegebenen Leistungsbereich.
- b) **Benutzen Sie kein Elektrowerkzeug, dessen Schalter defekt ist.** Ein Elektrowerkzeug, das sich nicht mehr ein- oder ausschalten lässt, ist gefährlich und muss repariert werden.
- c) **Ziehen Sie den Stecker aus der Steckdose und/oder entfernen Sie einen abnehmbaren Akku, bevor Sie Geräteeinstellungen vornehmen, Einsatzwerkzeugteile wechseln oder das Elektrowerkzeug weglegen.** Diese Vorsichtsmaßnahme verhindert den unbeabsichtigten Start des Elektrowerkzeugs.
- d) **Bewahren Sie unbenutzte Elektrowerkzeuge außerhalb der Reichweite von Kindern auf. Lassen Sie keine Personen das Elektrowerkzeug benutzen, die mit diesem nicht vertraut sind oder diese Anweisungen nicht gelesen haben.** Elektrowerkzeuge sind gefährlich, wenn sie von unerfahrenen Personen benutzt werden.

- e) **Pflegen Sie Elektrowerkzeuge und Einsatzwerkzeug mit Sorgfalt. Kontrollieren Sie, ob bewegliche Teile einwandfrei funktionieren und nicht klemmen, ob Teile gebrochen oder so beschädigt sind, dass die Funktion des Elektrowerkzeugs beeinträchtigt ist. Lassen Sie beschädigte Teile vor dem Einsatz des Elektrowerkzeuges reparieren.** Viele Unfälle haben ihre Ursache in schlecht gewarteten Elektrowerkzeugen.
- f) **Halten Sie Schneidwerkzeuge scharf und sauber.** Sorgfältig gepflegte Schneidwerkzeuge mit scharfen Schneidkanten verklemmen sich weniger und sind leichter zu führen.
- g) **Verwenden Sie Elektrowerkzeug, Zubehör, Einsatzwerkzeuge usw. entsprechend diesen Anweisungen. Berücksichtigen Sie dabei die Arbeitsbedingungen und die auszuführende Tätigkeit.** Der Gebrauch von Elektrowerkzeugen für andere als die vorgesehenen Anwendungen kann zu gefährlichen Situationen führen.
- h) **Halten Sie Griffe und Griffflächen trocken, sauber und frei von Öl und Fett.** Rutschige Griffe und Griffflächen erlauben keine sichere Bedienung und Kontrolle des Elektrowerkzeugs in unvorhergesehenen Situationen.
- 5) Verwendung und Behandlung des Akkuwerkzeugs**
- a) **Laden Sie die Akkus nur mit Ladegeräten auf, die vom Hersteller empfohlen werden.** Durch ein Ladegerät, das für eine bestimmte Art von Akkus geeignet ist, besteht Brandgefahr, wenn es mit anderen Akkus verwendet wird.
- b) **Verwenden Sie nur die dafür vorgesehenen Akkus in den Elektrowerkzeugen.** Der Gebrauch von anderen Akkus kann zu Verletzungen und Brandgefahr führen.
- c) **Halten Sie den nicht benutzten Akku fern von Büroklammern, Münzen, Schlüsseln, Nägeln, Schrauben oder anderen kleinen Metallgegenständen, die eine Überbrückung der Kontakte verursachen könnten.** Ein Kurzschluss zwischen den Akkukontakten kann Verbrennungen oder Feuer zur Folge haben.
- d) **Bei falscher Anwendung kann Flüssigkeit aus dem Akku austreten. Vermeiden Sie den Kontakt damit. Bei zufälligem Kontakt mit Wasser abspülen. Wenn die Flüssigkeit in die Augen kommt, nehmen Sie zusätzlich ärztliche Hilfe in Anspruch.** Austretende Akkuflüssigkeit kann zu Hautreizungen oder Verbrennungen führen.
- e) **Benutzen Sie keinen beschädigten oder veränderten Akku.** Beschädigte oder veränderte Akkus können sich unvorhersehbar verhalten und zu Feuer, Explosion oder Verletzungsgefahr führen.
- f) **Setzen Sie einen Akku keinem Feuer oder zu hohen Temperaturen aus.** Feuer oder Temperaturen über 130 °C können eine Explosion hervorrufen.
- g) **Befolgen Sie alle Anweisungen zum Laden und laden Sie den Akku oder das Akkuwerkzeug niemals außerhalb des in der Betriebsanleitung angegebenen Temperaturbereichs.** Falsches Laden oder Laden außerhalb des zugelassenen Temperaturbereichs kann den Akku zerstören und die Brandgefahr erhöhen.
- 6) Service**
- a) **Lassen Sie Ihr Elektrowerkzeug nur von qualifiziertem Fachpersonal und nur mit Original-Ersatzteilen reparieren.** Damit wird sichergestellt, dass die Sicherheit des Elektrowerkzeugs erhalten bleibt.
- b) **Warten Sie niemals beschädigte Akkus.** Sämtliche Wartung von Akkus sollte nur durch den Hersteller oder bevollmächtigte Kundendienststellen erfolgen.

SICHERHEITSHINWEISE FÜR SÄBELSÄGEN

- **Halten Sie das Gerät an den isolierten Griffflächen, wenn Sie Arbeiten ausführen, bei denen das Einsatzwerkzeug verborgene Stromleitungen treffen kann.** Der Kontakt mit einer spannungsführenden Leitung kann auch metallene Geräteteile unter Spannung setzen und zu einem elektrischen Schlag führen.
- **Halten Sie die Hände vom Sägebereich fern.** Greifen Sie nicht unter das Werkstück. Bei Kontakt mit dem Sägeblatt besteht Verletzungsgefahr.
- **Führen Sie das Elektrowerkzeug nur eingeschaltet gegen das Werkstück.** Es besteht sonst die Gefahr eines Rückschlages, wenn sich das Einsatzwerkzeug im Werkstück verhakt.
- **Achten Sie darauf, dass die Fußplatte beim Sägen immer am Werkstück anliegt.** Das Sägeblatt kann sich verhaken und zum Verlust der Kontrolle über das Elektrowerkzeug führen.
- **Schalten Sie nach Beendigung des Arbeitsvorgangs das Elektrowerkzeug aus und ziehen Sie das Sägeblatt erst dann aus dem Schnitt, wenn dieses zum Stillstand gekommen ist.** So vermeiden Sie einen Rückschlag und können das Elektrowerkzeug sicher ablegen.

- **Verwenden Sie nur unbeschädigte, einwandfreie Sägeblätter.** Verbogene oder unscharfe Sägeblätter können brechen, den Schnitt negativ beeinflussen oder einen Rückschlag verursachen.
- **Bremsen Sie das Sägeblatt nach dem Ausschalten nicht durch seitliches Gegendrücken ab.** Das Sägeblatt kann beschädigt werden, brechen oder einen Rückschlag verursachen.
- **Befestigen und sichern Sie das Werkstück mittels Zwingen oder auf andere Art und Weise an einer stabilen Unterlage.** Wenn Sie das Werkstück nur mit der Hand oder gegen Ihren Körper halten, bleibt es labil, was zum Verlust der Kontrolle führen kann.
- **Verwenden Sie geeignete Suchgeräte, um verborgene Versorgungsleitungen aufzuspüren, oder ziehen Sie die örtliche Versorgungsgesellschaft hinzu.** Kontakt mit Elektroleitungen kann zu Feuer und elektrischem Schlag führen. Beschädigung einer Gasleitung kann zur Explosion führen. Eindringen in eine Wasserleitung verursacht Sachbeschädigung.
- **Halten Sie das Elektrowerkzeug beim Arbeiten fest mit beiden Händen und sorgen Sie für einen sicheren Stand.** Das Elektrowerkzeug wird mit zwei Händen sicherer geführt.
- **Sichern Sie das Werkstück.** Ein mit Spannvorrichtungen oder Schraubstock festgehaltenes Werkstück ist sicherer gehalten als mit Ihrer Hand.
- **Warten Sie, bis das Elektrowerkzeug zum Stillstand gekommen ist, bevor Sie es ablegen.** Das Einsatzwerkzeug kann sich verhaken und zum Verlust der Kontrolle über das Elektrowerkzeug führen.

SICHERHEITSHINWEISE FÜR AKKU

- a) **Öffnen Sie den Akku nicht.** Es besteht die Gefahr eines Kurzschlusses.
- b) **Schützen Sie den Akku vor Hitze, z. B. auch vor dauernder Sonneneinstrahlung, Feuer, Wasser und Feuchtigkeit.** Es besteht Explosionsgefahr.
- c) **Bei Beschädigung und unsachgemäßem Gebrauch des Akkus können Dämpfe austreten. Führen Sie Frischluft zu und suchen Sie bei Beschwerden einen Arzt auf.** Die Dämpfe können die Atemwege reizen.
- d) **Verwenden Sie den Akku nur in Verbindung mit Ihrem Vonroc Produkt.** Nur so wird der Akku vor gefährlicher Überlastung geschützt.


- e) **Durch spitze Gegenstände wie z. B. Nagel oder Schrau benzieher oder durch äußere Krafteinwirkung kann der Akku beschädigt werden.** Es kann zu einem internen Kurzschluss kommen und der Akku brennen, rauchen, explodieren oder überhitzen.

SICHERHEITSHINWEISE FÜR DAS LADEGERÄT Verwendungszweck

Nur für das Laden von wiederaufladbaren Li-Ionen-Akkus des Typs CD801AA und CD803AA geeignet. Andere Arten von Akkus können platzen und zu Verletzungen und Schäden führen.

- a) **Das Gerät darf nicht von Personen (einschließlich Kindern) mit eingeschränkten körperlichen, sensorischen bzw. geistigen Fähigkeiten, mangelnder Erfahrung bzw. fehlendem Wissen verwendet werden, wenn diese nicht beaufsichtigt werden oder eine Einweisung erhalten haben.**
- b) **Kinder sollten beaufsichtigt werden, um sicherzustellen, dass sie nicht mit dem Gerät spielen.**
- c) **Nicht wiederaufladbare Batterien dürfen nicht aufgeladen werden!**
- d) **Während des Ladens müssen sich die Akkus in einem gut belüfteten Raum befinden!**

Elektrische Sicherheit

 *Achten Sie stets darauf, dass die Spannung der Stromversorgung mit der Spannung auf dem Typenschild übereinstimmt.*

- Verwenden Sie die Maschine nicht, wenn das Netzkabel oder der Netzstecker beschädigt ist.
- Verwenden Sie nur Verlängerungskabel, die für die Leistungsaufnahme der Maschine geeignet sind und eine Mindestaderstärke von 1.5 mm² haben. Falls Sie eine Kabeltrommel verwenden, rollen Sie das Kabel immer vollständig ab.

2. ANGABEN ZUM WERKZEUG

Verwendungszweck

Die Maschine ist zum Sägen von Holz, Kunststoff und Metall bestimmt, wobei die Basisplatte fest auf dem Werkstück aufliegt. Es eignet sich für gerade und gebogene Schnitte. Es ist auch möglich, bündig an der Werkstückoberfläche zu schneiden. Es ist immer ein geeignetes Sägeblatt zu verwenden.

TECHNISCHE DATEN

Dieses Handbuch wurde für unterschiedliche Sets / Artikelnummern erstellt. Achten Sie in der Spezifikationstabelle mit den korrekten Zusammenstellungen und Inhalten für Ihr Set auf Ihre jeweilige Artikelnummer.

Modellnummer	Batterien enthalten	Ladegerät enthalten
RS501DC	-	-
S_RS501DC	CD801AA	CD802AA
S2_RS501DC	2 x CD801AA	CD802AA
S3_RS501DC	CD803AA	CD802AA
S4_RS501DC	CD801AA	CD802AA

Angaben zum Werkzeug	
Netzspannung	20V
Leerlaufdrehzahl	0-2800/min
Sägehub	22mm
Max. Sägeleistung Holz	100mm
Max. Sägeleistung Stahl	10mm
Gewicht	1,57 kg
Schalldruckpegel L_{PA}	82,2 dB(A), K=3dB(A)
Schallleistungspegel L_{WA}	93,2 dB(A), K=3dB(A)
Schwingung 'sägen holzbalken'	16,844 m/s ² K=1.5 m/s ²
Schwingung	18,067 m/s ² K=1.5 m/s ²

Modellnummer	CD801AA
Akkutyp	Lithium-Ion
Spannung	20V
Kapazität	2,0 Ah
Empfohlene Ladegeräte	CD802AA
Gewicht	0,3 kg

Modellnummer	CD802AA
Ladegerät Eingang	220-240V, 50Hz 0,4A
Ladegerät Ausgang	21V 2,5A
Ladezeit 2Ah Akku	60 Minuten
Ladezeit 4Ah Akku	120 Minuten
Empfohlene Akkus	CD801AA, CD803AA
Gewicht	0,36 kg

Modellnummer	CD803AA
Akkutyp	Lithium-Ion
Spannung	20V
Kapazität	4,0 Ah
Empfohlene Ladegeräte	CD802AA
Gewicht	0,65 kg

Verwenden Sie nur folgende Akkus der VONROC VPOWER 20V-Akku-Plattform. Die Verwendung anderer Akkus kann zu schweren Verletzungen oder einer Beschädigung des Werkzeugs führen.

CD801AA 20V, 2Ah Lithium-Ion
CD803AA 20V, 4Ah Lithium-Ion

Folgendes Ladegerät ist zum Aufladen dieser Akkus vorgesehen.

CD802AA Schnellladegerät

Die Akkus der VONROC VPOWER 20V-Akku-Plattform sind unter allen Werkzeugen der VONROC VPOWER 20V-Akku-Plattform austauschbar.

Vibrationsintensität

Die in dieser Bedienungsanleitung angegebene Vibrationsintensität wurde mit einem standardisierten Test gemäß EN 62841; gemessen. Anhand dieser Größe können Werkzeuge miteinander verglichen werden. Außerdem eignet sich diese Größe für eine erste Beurteilung der Vibrationsbelastung bei Verwendung des Werkzeugs für die angegebenen Anwendungszwecke.

- Bei Verwendung des Werkzeugs für andere Anwendungen oder mit anderem oder unzureichend gewartetem Zubehör kann sich die Vibrationsbelastung erheblich erhöhen.
- Wenn das Werkzeug ausgeschaltet ist, oder wenn es eingeschaltet ist, jedoch nicht genutzt wird, kann sich die Vibrationsbelastung erheblich verringern.

Schützen Sie sich vor den Auswirkungen der Vibration durch Wartung des Werkzeugs und des Zubehörs, halten Sie Ihre Hände warm, und organisieren Sie Ihren Arbeitsablauf.

BESCHREIBUNG

Die Buchstaben und Ziffern im folgenden Text verweisen auf die Abbildungen auf den Seiten 2 bis 4.

1. Lock-Off-Taste
2. Ein-/Ausschalter
3. Griff
4. Akku
5. Taste zum Entsperren des Akkus
6. Zusatzgriff
7. Basisplatte
8. Spannfutter
9. Klemmhebel
10. Sechskantschlüssel
11. Basisplattenschrauben
12. Arbeitsleuchte
13. Akku LED-Anzeigen-Taste
14. LED-Anzeige Akku
15. Ladegerät
16. LED-Anzeige Ladegerät

3. MONTAGE



Nehmen Sie vor allen Arbeiten am Elektrowerkzeug den Akku heraus.



Vor der ersten Verwendung muss der Akku aufgeladen werden.

Einsetzen des Akkus in das Werkzeug (Abb. A, F)



Überprüfen Sie, ob die Außenflächen des Akkus sauber und trocken sind, bevor Sie den Akku an das Ladegerät anschließen oder in das Werkzeug einsetzen.

1. Setzen Sie den Akku (4) in das Gerät ein.
2. Drücken Sie den Akku soweit nach vorn, bis der Akku hörbar einrastet.

Entnehmen des Akkus aus dem Werkzeug (Abb. A, F)

1. Drücken Sie die Akku-Freigabetast (5)
2. Ziehen Sie den Akku aus dem Werkzeug, wie in Abb. F dargestellt.

Überprüfen des Akkuladestands (Abb. G)

- Drücken Sie zum Überprüfen des Ladestands kurz die Taste (13) auf dem Akku.
- Der Akku ist mit 3 Leuchten zur Anzeige des Ladestands ausgestattet. Je mehr davon leuchten, desto höher der Ladestand.
- Wenn keine der Leuchten an ist, bedeutet das, dass der Akku leer ist und sofort aufgeladen werden muss.

Laden des Akkus über das Ladegerät (Abb. G)

1. Entnehmen Sie den Akku (4) aus dem Werkzeug.
2. Drehen Sie den Akku (4) mit der Unterseite nach oben, und schieben Sie ihn in das Ladegerät (15), wie in Abb. G dargestellt.
3. Drücken Sie den Akku vollständig in die Aufnahme.
4. Stecken Sie den Netzstecker des Ladegeräts in eine Steckdose, und warten Sie einen Moment. Die LED-Anzeigen am Ladegerät (16) leuchten zur Anzeige des Ladezustands auf.

Das Ladegerät verfügt über 2 LED-Anzeige (16), die den Ladevorgang anzeigt:

Rote LED	Grüne LED	Status Ladegerät
Aus	Aus	Keine Stromversorgung
Aus	An	Standby-Modus: - Kein Akku eingelegt oder, - Akku eingelegt, aber Ladevorgang seit abgeschlossen
An	Aus	Akku wird geladen

- Das vollständige Laden des 2Ah-Akkus kann bis zu 60 Minuten dauern.
- Das vollständige Laden des 4Ah-Akkus kann bis zu 120 Minuten dauern.

Ziehen Sie nach dem vollständigen Laden des Akkus den Stecker des Ladegeräts aus der Netzsteckdose, und entnehmen Sie den Akku aus dem Ladegerät.



Wenn das Werkzeug für einen längeren Zeitraum nicht verwendet wird, sollte das Werkzeug möglichst mit einem voll aufgeladenen Akku aufbewahrt werden.

Wechseln des Sägeblatts (Abb. A, C)



Tragen Sie beim Anbringen des Sägeblatts Schutzhandschuhe. Verletzungsgefahr beim Berühren des Sägeblattes.



Verwenden Sie nur Sägeblätter, die den Kenndaten in der Betriebsanleitung entsprechen.

Anbringen des Sägeblatts

Achten Sie darauf, dass der Sägeblatthalter frei von Materialrückständen ist (zum Beispiel Holz- oder Metallsplinter).

1. Drehen Sie den Klemmhebel (9) so weit wie möglich nach links und halten Sie ihn in dieser Position fest.
2. Setzen Sie das Sägeblatt in das Spannfutter (8) ein. Überprüfen Sie, dass das Sägeblatt sicher befestigt ist und die Zähne nach unten zeigen.
3. Lassen Sie den Klemmhebel los. Überprüfen Sie, ob das Sägeblatt richtig eingerastet ist.

Stellen Sie sicher, dass Sie das richtige Sägeblatt für das entsprechende Material verwenden. Zur Maschine gehört ein grobes Sägeblatt für Holz und ein feines Sägeblatt für Metall und Kunststoff.

Abnehmen des Sägeblatts

1. Drehen Sie den Klemmhebel (9) so weit wie möglich nach links und halten Sie ihn in dieser Position fest.
2. Nehmen Sie das Sägeblatt aus dem Spannfutter (8).
3. Lassen Sie den Klemmhebel los.

4. BETRIEB**Ein-/Ausschalten der Maschine (Abb. A)**

Das Werkzeug wird mit dem EIN/AUS-Schalter (2) ein- bzw. ausgeschaltet. Mit diesem Schalter wird außerdem die Geschwindigkeit abgeglichen.

- Um die Maschine zu starten, halten Sie die Lock-Off-Taste (1) gedrückt und drücken den Ein-/Ausschalter (2).
- Je weiter der Ein-/Ausschalter (2) gedrückt wird, desto schneller bewegt sich das Sägeblatt. Die erforderliche Geschwindigkeit hängt vom Material ab und kann durch praktische Tests ermittelt werden.
- Um die Maschine anzuhalten, lassen Sie den Ein-/Ausschalter (2) los.

Anpassung der Basisplatte (Abb. B)

Aufgrund ihrer Beweglichkeit passt sich der Winkel der Basisplatte (7) an das Werkstück an. Zudem kann die Länge der Basisplatte je nach erforderlicher Sägetiefe angepasst werden.

1. Lösen Sie die Schrauben der Basisplatte (11) mit dem mitgelieferten Sechskantschlüssel (10).

2. Passen Sie die Basisplatte (7) an.
3. Ziehen Sie die Schrauben der Basisplatte (11) mit dem mitgelieferten Sechskantschlüssel (10) fest. Der Sechskantschlüssel kann wie in Abb. B gezeigt an der Maschine aufbewahrt werden.

Einstechschneiden (Abb. D)

Einstechschneiden darf nur an weichen Stoffen wie Holz, Gasbeton, Gipskartonplatten usw. angewendet werden. Das erfordert jedoch eine gewisse Erfahrung und ist nur mit kurzen Sägeblättern möglich.

1. Setzen Sie die Säge auf das Werkstück auf und schalten sie an.
2. Achten Sie darauf, dass der untere Rand der Fußplatte auf der Werkstückoberfläche ruht, wie es gezeigt ist.
3. Sägen Sie langsam in einem Winkel in das Werkstück hinein, indem Sie die Säge in eine vertikale Lage bringen und entlang der Schneidlinie weitersägen.
4. Schalten Sie die Säge aus, und nehmen Sie das Werkstück auf, wenn die Arbeit beendet ist.

Bündiges Sägen (Abb. E)

Elastische Bimetall-Sägeblätter ermöglichen Ihnen, hervorstehende Gegenstände (z.B. Wasserleitungen, Eisenstangen usw.) in der Nähe der Wand abzusägen.

1. Legen Sie das Sägeblatt direkt an die Wand und biegen es leicht, so dass die Fußplatte direkt an der Wand ruht.
2. Schalten Sie das Gerät an und sägen das Werkstück ab, wobei ein konstanter seitlicher Druck auf die Wand beibehalten wird.

Optimale Nutzung

- Stellen Sie das Sägeblatt und die Hubgeschwindigkeit entsprechend dem zu bearbeitenden Material ein. Für genaue kreisrunde Kurven ist es am besten, ein schmales Sägeblatt zu benutzen. Beim Sägen von Metall kann Gleichlaufschwankungen durch Auftragen von Kühlmitteln oder Schmiermitteln entlang der Schneidlinie begegnet werden.
- Untersuchen Sie Holz, Spanplatten, Baumaterialien usw. vor dem Sägen auf Fremdkörper (Nägel, Schrauben usw.) und entfernen diese, wenn nötig.
- Klemmen Sie das Material gut fest. Stützen Sie das Werkstück nicht mit der Hand oder dem Fuß. Berühren Sie Gegenstände oder den Fußboden nicht mit der laufenden Säge (Rückstoßgefahr).

- Legen Sie die Fußplatte auf die Oberfläche des Werkstücks, und durchsägen Sie es mit einem konstanten Kontaktdruck oder Vorschub. Wenn das Sägeblatt blockiert wird, schalten Sie das Gerät sofort aus. Dehnen Sie den Spalt mit einem geeigneten Werkzeug aus und ziehen das Sägeblatt heraus.
- Wenn Sie mit der Arbeit fertig sind, schalten Sie das Gerät aus und legen es erst ab, wenn es völlig zum Stillstand gekommen ist.

Verarbeitungsmängeln Fehler aufweisen, wenden Sie sich bitte direkt an VONROC Kundendienst.

Folgende Umstände sind von der Garantie ausgeschlossen:

- Reparaturen und oder Änderungen an der Maschine, die durch nicht-autorisierte Servicestellen vorgenommen oder versucht wurden.
- Normale Abnutzung und Verschleiß.
- Das Werkzeug wurde übermäßig beansprucht, missbräuchlich verwendet oder falsch gewartet.
- Es wurden keine Original-Ersatzteile verwendet.

5. WARTUNG



Schalten Sie das Werkzeug immer aus, und entnehmen Sie den Akku aus dem Gerät, bevor Sie Reinigungs- oder Wartungsarbeiten am Werkzeug vornehmen.

Reinigen Sie das Werkzeuggehäuse regelmäßig mit einem weichen Lappen, vorzugsweise nach jeder Verwendung. Stellen Sie sicher, dass die Lüftungsöffnungen frei von Staub und Schmutz sind. Entfernen Sie anhaftenden Schmutz mit einem weichen Lappen, der leicht mit Seifenwasser befeuchtet wurde. Verwenden Sie keine Lösungsmittel wie Benzin, Alkohol, Ammoniak usw., da Chemikalien dieser Art die Kunststoffteile beschädigen.

Dies stellt die einzige Gewährleistung des Unternehmens dar, sowohl ausdrücklich als auch implizit. Es gibt keine anderen ausdrücklichen oder stillschweigenden Garantien, die über das hier Genannte hinausgehen, einschließlich der stillschweigenden Garantien der Marktgängigkeit oder Eignung für einen bestimmten Zweck. In keinem Fall ist VONROC haftbar für Neben- oder Folgeschäden. Die Rechtsmittel des Händlers beschränken sich auf Reparatur oder Ersatz fehlerhafter Einheiten oder Teile.

Am Produkt und am Benutzerhandbuch können Änderungen vorgenommen werden. Die technischen Daten können sich ohne Vorankündigung ändern.

UMWELTSCHUTZ



Schadhafte und/oder zu entsorgende elektrische oder elektronische Werkzeuge und Geräte müssen an den dafür vorgesehenen Recycling-Stellen abgegeben werden.

Nur für EG-Länder

Entsorgen Sie Elektrowerkzeuge nicht über den Hausmüll. Entsprechend der EU-Richtlinie 2012/19/EG über Elektro- und Elektronik-Altgeräte sowie der Umsetzung in nationales Recht müssen Elektrowerkzeuge, die nicht mehr im Gebrauch sind, getrennt gesammelt und umweltschonend entsorgt werden.

GARANTIE

VONROC-Produkte werden nach den höchsten Qualitätsstandards entwickelt und sind für den gesetzlich festgelegten Zeitraum, ausgehend von dem ursprünglichen Kaufdatum, garantiert frei von Fehlern in Material und Ausführung. Sollte das Produkt in diesem Zeitraum aufgrund von Material- und/oder

1. VEILIGHEIDSVOORSCHRIFTEN

Lees de bijgesloten veiligheidswaarschuwingen, de aanvullende veiligheidswaarschuwingen en de instructies. Het niet opvolgen van de veiligheidswaarschuwingen kan elektrische schokken, brand en/of ernstig letsel tot gevolg hebben. Bewaar de veiligheidswaarschuwingen en instructies als naslagwerk voor later.

De volgende symbolen worden gebruikt in de gebruikershandleiding of op het product:



Lees de gebruikershandleiding.



Gevaar voor lichamelijk letsel, overlijden of schade aan de machine wanneer de instructies in deze handleiding niet worden opgevolgd.



Houd omstanders op afstand.



Draag oogbescherming.



Draag gehoorscherming.



Draag een stofmasker.



Gevaarlijk gebied! Houd uw handen (10cm) van het zaaggebied verwijderd.



Alleen binnenshuis gebruiken.



Klasse II apparaat - Dubbel geïsoleerd - Een geaarde stekker is niet noodzakelijk.



Miniatuurzekering met vertragingstijd.



Max. temperatuur 45°C.



Accu niet verbranden.



Accu niet in het water gooien.



Aparte inzameling van Li-ion-accu's.



Het product is in overeenstemming met de van toepassing zijnde veiligheidsnormen in de Europese richtlijnen.

ALGEMENE VEILIGHEIDSVOORSCHRIFTEN



WAARSCHUWING! Lees alle veiligheidswaarschuwingen en alle instructies.

Het niet opvolgen van onderstaande instructies kan leiden tot een elektrische schok, brand en/of ernstig persoonlijk letsel.

Bewaar deze instructies goed.

De term "elektrisch gereedschap" in onderstaande waarschuwingen heeft betrekking op zowel apparatuur met een vaste elektriciteitskabel als op apparatuur met een accu (draadloze apparatuur).

1) Werkgebied

- Zorg voor een opgeruimde en goed verlichte werkomgeving.** Rommelige en donkere werkomgevingen leiden tot ongelukken.
- Gebruik elektrisch gereedschap nooit in een omgeving waar explosiegevaar bestaat, zoals in de nabijheid van ontvlambare vloeistoffen, gassen, dampen of andere stoffen.** Elektrische gereedschappen kunnen vonken veroorzaken, die deze stoffen tot ontbranding kunnen brengen.
- Wanneer u elektrisch gereedschap gebruikt, houd dan kinderen en omstanders op afstand.** Wanneer u wordt afgeleid, kunt u de controle over het gereedschap verliezen.

2) Elektrische veiligheid

- Stekkers van elektrische gereedschappen moeten probleemloos passen op het stopcontact. Breng nooit wijzigingen aan in of aan de stekker. Gebruik geen adapters voor geaarde elektrische gereedschappen.** Standaardstekkers en passende stopcontacten verkleinen de kans op een elektrische schok.
- Voorkom lichamelijk contact met geaarde oppervlakken van bijvoorbeeld pijpen, leidingen, radiatoren, fornuizen en koelkasten.** Wanneer uw lichaam geaard is, wordt de kans op een elektrische schok groter.
- Stel elektrische gereedschappen nooit bloot aan regen of vocht.** Wanneer er water binnendringt in een elektrisch gereedschap, wordt de kans op een elektrische schok groter.
- Gebruik het snoer niet om het elektrisch gereedschap te dragen, te verplaatsen of de stekker uit het stopcontact te trekken. Bescherm het snoer tegen olie, warmte, scherpe randen en bewegende delen.** Beschadigde of vastzittende snoeren vergroten de kans op een elektrische schok.

- e) **Wanneer u elektrische gereedschappen buiten gebruikt, gebruik dan een verlengkabel die geschikt is voor buitengebruik.** Door een kabel te gebruiken die geschikt is voor buitengebruik, wordt de kans op een elektrische schok kleiner.
- f) **Gebruik een aardlekbeveiliging (RCD) als niet te voorkomen is dat een powertool moet worden gebruikt in een vochtige omgeving.** Gebruik van een RCD vermindert het risico van elektrische schokken.
- 3) Persoonlijke veiligheid**
- a) **Blijf altijd alert, kijk goed wat u doet en gebruik uw gezonde verstand wanneer u een elektrisch gereedschap gebruikt. Gebruik geen elektrische gereedschappen wanneer u moe bent, of drugs, alcohol of medicijnen hebt gebruikt.** Eén moment van onachtzaamheid bij het gebruik van elektrische gereedschappen kan ernstige verwondingen tot gevolg hebben.
- b) **Gebruik persoonlijke beschermingsmiddelen. Draag altijd een veiligheidsbril.** Een gepast gebruik van veiligheidsvoorzieningen, zoals een stof masker, speciale werkschoenen met antislipzolen, een veiligheidshelm en gehoorbescherming verkleinen de kans op persoonlijk letsel.
- c) **Voorkom dat het gereedschap per ongeluk wordt gestart. Zorg dat de schakelaar op de UIT positie staat, voordat u de stekker in het stopcontact steekt.** Draag elektrisch gereedschap nooit met uw vinger op de schakelaar en steek ook nooit de stekker van ingeschakelde elektrische gereedschappen in het stopcontact: dit leidt tot ongelukken.
- d) **Verwijder alle instel en andere sleutels uit het elektrisch gereedschap voordat u hem inschakelt.** Instel en andere sleutels aan een ronddraaiend onderdeel van het elektrisch gereedschap kunnen tot verwondingen leiden.
- e) **Zorg dat u nooit uw evenwicht kunt verliezen; houd altijd twee voeten stevig op de vloer.** Hierdoor kunt u het elektrisch gereedschap in onverwachte situaties beter onder controle houden.
- f) **Zorg dat u geschikte kleding draagt. Draag geen loshangende kleding of sieraden. Houd uw haar, kleding en handschoenen uit de buurt van bewegende delen.** Loshangende kleding, sieraden en lang haar kunnen vast komen te zitten in bewegende delen.
- g) **Wanneer er voorzieningen zijn voor de aansluiting van stofafzuiginstallaties, zorg dan dat ze op de juiste wijze worden aangesloten en gebruikt.** Gebruik van deze voorzieningen vermindert de gevaren die door stof worden veroorzaakt.
- h) **Denk niet dat doordat u gereedschap vaak gebruikt, u wel weet hoe het allemaal werkt en dat u de veiligheidsbeginselen voor het gebruik van het gereedschap wel kunt negeren.** Een onbezonnen actie kan in een fractie van een seconde ernstig letsel tot gevolg hebben.
- 4) Gebruik en onderhoud van elektrisch gereedschap**
- a) **Oefen geen overmatige kracht uit op elektrisch gereedschap. Gebruik het juiste gereedschap voor uw specifieke toepassing.** Met het juiste elektrische gereedschap voert u de taak beter en veiliger uit wanneer dit op de snelheid gebeurt waarvoor het apparaat is ontworpen.
- b) **Gebruik nooit elektrisch gereedschap waarvan de AAN/UITschakelaar niet werkt.** Ieder elektrisch gereedschap dat niet kan worden in en uitgeschakeld met de schakelaar is gevaarlijk en moet worden gerepareerd.
- c) **Trek de stekker uit het stopcontact voordat u wijzigingen aanbrengt aan elektrische gereedschappen, accessoires verwisselt of het elektrisch gereedschap opbergt.** Wanneer u zich aan deze preventieve veiligheidsmaatregelen houdt, beperkt u het risico dat het gereedschap per ongeluk wordt gestart.
- d) **Berg elektrisch gereedschap dat niet in gebruik is op buiten bereik van kinderen en laat personen die niet bekend zijn met het gereedschap of deze instructies het apparaat niet gebruiken.** Elektrisch gereedschap is gevaarlijk in de handen van ongeofende gebruikers.
- e) **Zorg voor een goed onderhoud van elektrisch gereedschap. Controleer of bewegende delen op de juiste wijze zijn vastgezet. Controleer ook of er geen onderdelen defect zijn of dat er andere omstandigheden zijn die van invloed kunnen zijn op de werking van het gereedschap. Laat het gereedschap bij beschadigingen repareren vóór gebruik.** Veel ongelukken worden veroorzaakt door slecht onderhoud van het gereedschap.
- f) **Zorg dat snij en zaagwerktuigen scherp en schoon blijven.** Goed onderhouden snij en zaagwerktuigen met scherpe randen zullen minder snel vastlopen en zijn eenvoudiger onder controle te houden.
- g) **Gebruik alle elektrische gereedschappen, accessoires, bitjes etc., zoals aangegeven in deze instructies en op de wijze waarvoor het gereed-**

schap is ontworpen. Houd daarbij rekening met de werkomstandigheden en de uit te voeren taak. Gebruik van elektrisch gereedschap voor handelingen die afwijken van de taken waarvoor het apparaat is ontworpen kunnen leiden tot gevaarlijke situaties.

- h) **Houd handgrepen en greepoppervlakken droog, schoon en vrij van olie en vet.** Gladde handgrepen en greepoppervlakken maken veilig werken en controle over het gereedschap in onverwachte situaties onmogelijk.

5) Gebruik en onderhoud accugereedschap

- a) **Laad alleen op met de lader die door de fabrikant is gespecificeerd.** Een lader die voor een bepaalde accu geschikt is, kan brand veroorzaken wanneer deze met een andere accu wordt gebruikt.
- b) **Gebruik elektrisch gereedschap alleen met de speciaal hiervoor bedoelde accu's.** Gebruik van andere accu's kan kans op letsel en brand geven.
- c) **Wanneer de accu niet in gebruik is, houd deze dan uit de buurt van andere metalen voorwerpen zoals paperclips, munten, sleutels, spijkers, schroeven of andere kleine metalen voorwerpen die een verbinding tussen twee polen kunnen maken.** Kortsluiting tussen de accupolen kan brandwonden of brand veroorzaken.
- d) **Wanneer de accu niet juist wordt gebruikt, kan er vloeistof uit lopen; raak dit niet aan. Wanneer dit per ongeluk wel gebeurt, spoel dan met water. Wanneer de vloeistof in de ogen komt, moet u een arts raadplegen.** De vloeistof uit de accu kan irritaties of brandwonden veroorzaken.
- e) **Gebruiken niet een accu of gereedschap dat beschadigd is of gemodificeerd.** Beschadigde of gemodificeerde accu's kunnen onvoorspelbaar gedrag vertonen, wat brand, explosie of een risico van letsel met zich meebrengt.
- f) **Stel een accu over het gereedschap niet bloot aan open vuur of een uitzonderlijk hoge temperatuur.** Blootstelling aan vuur of een temperatuur hoger dan 130 °C, kan een explosie veroorzaken. NB De temperatuur van "130 °C" kan worden vervangen door de temperatuur van "265 °F".
- g) **Houd u aan alle instructies voor het laden en laad de accu of het gereedschap niet op buiten het temperatuurbereik dat in de instructies wordt aangeduid.** Op een onjuiste wijze laden of laden bij temperaturen buiten het aangeduide bereik kan de accu beschadigen en het risico van brand doen toenemen.

6) Service

- a) **Laat uw gereedschap onderhouden door een gekwalificeerde onderhoudstechnicus die alleen gebruikmaakt van identieke vervangingsonderdelen.** Dit zorgt ervoor dat de veiligheid van de power tool intact blijft.
- b) **Voer nooit servicewerkzaamheden uit aan beschadigde accu's.** Alleen de fabrikant of geautoriseerde service-providers mogen servicewerkzaamheden aan accu's uitvoeren.

VEILIGHEIDSVOORSCHRIFTEN VOOR RECIPROZAGEN

- **Houd het gereedschap aan de geïsoleerde greepvlakken vast als u werkzaamheden uitvoert waarbij het inzetgereedschap verborgen stroomleidingen kan raken.** Contact met een onder spanning staande leiding kan ook metalen delen van het gereedschap onder spanning zetten en tot een elektrische schok leiden.
- **Houd uw handen uit de buurt van de plaats waar wordt gezaagd.** Grijp niet onder het werkstuk. Bij aanraking van het zaagblad bestaat verwondingsgevaar.
- **Beweeg het elektrische gereedschap alleen ingeschakeld naar het werkstuk.** Anders bestaat er gevaar voor een terugslag als het inzetgereedschap in het werkstuk vasthaakt.
- **Let erop dat de voetplaat tijdens het zagen altijd tegen het werkstuk ligt.** Het zaagblad kan vasthaken en dit kan tot het verlies van de controle over het elektrische gereedschap leiden.
- **Schakel het elektrische gereedschap na beëindiging van de werkzaamheden uit en trek het zaagblad pas uit de zaagsnede nadat het gereedschap tot stilstand is gekomen.** Zo voorkomt u een terugslag en kunt u het elektrische gereedschap veilig neerleggen.
- **Gebruik alleen onbeschadigde zaagbladen die helemaal in orde zijn.** Verbogen of niet-scherpe zaagbladen kunnen breken, het zagen negatief beïnvloeden of een terugslag veroorzaken.
- **Rem het zaagblad na het uitschakelen niet af door er aan de zijkant tegen te drukken.** Anders kan het zaagblad beschadigd worden, breken of een terugslag veroorzaken.
- **Gebruik klemmen of een andere praktische manier om het werkstuk op een stabiel platform vast te zetten en te ondersteunen.** Het vasthouden van het werkstuk met de hand of

tegen uw lichaam leidt tot instabiliteit en dit kan resulteren in het verlies van controle.

- **Gebruik een geschikt detectieapparaat om verborgen stroom-, gas- of waterleidingen op te sporen of raad pleeg het plaatselijke energie- of waterleidingbedrijf.** Contact met elektrische leidingen kan tot brand of een elektrische schok leiden. Beschadiging van een gasleiding kan tot een explosie leiden. Breuk van een waterleiding veroorzaakt materiële schade.
- **Houd het elektrische gereedschap tijdens de werkzaamheden stevig met beide handen vast en zorg ervoor dat u stevig staat.** Het elektrische gereedschap wordt met twee handen veiliger geleid.
- **Zet het werkstuk vast.** Een met spanvoorzieningen of een bankschroef vastgehouden werkstuk wordt beter vastgehouden dan u met uw hand kunt doen.
- **Wacht tot het elektrische gereedschap tot stilstand is gekomen voordat u het neerlegt.** Het inzetgereedschap kan vasthaken en dit kan tot het verlies van de controle over het elektrische gereedschap leiden.

VEILIGHEIDSVOORSCHRIFTEN VOOR DE ACCU

- a) **Open de accu niet.** Er bestaat gevaar voor kortsluiting.
- b) **Bescherm de accu tegen hitte, bijvoorbeeld ook tegen voortdurend zonlicht, vuur, water en vocht.** Er bestaat explosiegevaar.
- c) **Bij beschadiging en onjuist gebruik van de accu kunnen er dampen vrijkomen. Zorg voor frisse lucht en raadpleeg bij klachten een arts.** De dampen kunnen de lucht wegen irriteren.
- d) **Gebruik de accu alleen in combinatie met uw Vonroc product.** Alleen zo wordt de accu tegen gevaarlijke overbelasting beschermd.
- e) **Door scherpe voorwerpen, zoals bijv. spijkers of schroevendraaiers of door krachthinwerking van buitenaf kan de accu beschadigd worden.** Het kan tot een interne kortsluiting leiden en de accu doen branden, roken, exploderen of oververhitten.

VEILIGHEIDSVOORSCHRIFTEN VOOR DE LADER

Bedoeld gebruik

Laad uitsluitend herlaadbare accupacks van het type CD801AA en CD803AA. Andere typen accu's kunnen exploderen, wat lichamelijk letsel en schade kan veroorzaken.

- a) **Het apparaat dient niet te worden gebruikt door personen (inclusief kinderen) met verminderde fysieke, zintuiglijke of mentale functies of per-**

sonen zonder enige ervaring en kennis, tenzij zij onder toezicht staan of zijn geïnstrueerd.

- b) **Laat kinderen onder toezicht niet met het apparaat spelen.**
- c) **Laad niet-herlaadbare accu's niet opnieuw op!**
- d) **Plaats de accu's tijdens het opladen in een goed geventileerde ruimte!**

Elektrische veiligheid



Controleer altijd of de spanning van de stroomtoevoer overeenkomt met de spanning op het typeplaatje.

- Gebruik de machine niet indien het netsnoer of de netstekker zijn beschadigd.
- Gebruik uitsluitend verlengkabels die geschikt zijn voor het vermogen van de machine met een minimale dikte van 1.5 mm². Indien u een verlengkabelhaspel gebruikt, rol dan altijd de kabel volledig uit.

2. TECHNISCHE INFORMATIE

Bedoeld gebruik


De machine is bedoeld voor het zagen van hout, plastic en metaal terwijl de grondplaat stevig op het werkstuk rust. Het is geschikt voor rechte en gebogen zaagsneden. Het is ook mogelijk om vlak op het werkstukoppervlak te snijden. Er moet altijd een geschikt zaagblad worden gebruikt.


TECHNISCHE SPECIFICATIES





Deze gebruikshandleiding is opgesteld voor verschillende sets / artikelnummers. Controleer het bijbehorende artikelnummer in de onderstaande specificaties voor de juiste samenstelling en inhoud van uw set.

Model Nr.	Batterijen meegeleverd	Acculader meegeleverd
RS501DC	-	-
S_RS501DC	CD801AA	CD802AA
S2_RS501DC	2 x CD801AA	CD802AA
S3_RS501DC	CD803AA	CD802AA
S4_RS501DC	CD801AA	CD802AA

Technische informatie	
Spanning	20V 
Onbelast toerental	0-2800/min
Zaagbeweging	22mm
Max. zaagcapaciteit hout	100mm
Max. zaagcapaciteit staal	10mm
Gewicht	1,57 kg
Geluidsdruk L_{PA}	82,2 dB(A), K=3dB(A)
Geluidsniveau L_{WA}	93,2 dB(A), K=3dB(A)
Trillingen 'zagen houten balk'	16,844 m/s ² K=1.5 m/s ²
Trillingen 'zagen multiplex'	18,067 m/s ² K=1.5 m/s ²

Model Nr.	CD801AA
Accu type	Lithium-Ion
Voltage	20V 
Vermogen	2,0 Ah
Aanbevolen laadapparaat	CD802AA
Gewicht	0,3 kg

Model Nr.	CD802AA
Acculader ingang	220-240V, 50Hz 0,4A
Acculader uitgangsvermogen	21V  2,5A
Oplaadtijd 2Ah accu	60 minuten
Oplaadtijd 4Ah accu	120 minuten
Aanbevolen accu's	CD801AA, CD803AA
Gewicht	0,36 kg

Model Nr.	CD803AA
Accu type	Lithium-Ion
Voltage	20V 
Vermogen	4,0 Ah
Aanbevolen laadapparaat	CD802AA
Gewicht	0,65 kg

Gebruik uitsluitend de volgende accu's van het VONROC VPOWER 20V accu-platform. Gebruik van andere accu's kan leiden tot ernstig letsel of tot beschadiging van het gereedschap.

CD801AA 20V, 2Ah Lithium-Ion
CD803AA 20V, 4Ah Lithium-Ion

De volgende lader kan worden gebruikt voor het opladen van deze accu's.
CD802AA Snellader

De accu's van het VONROC VPOWER 20V accu-platform kunnen worden gewisseld tussen alle gereedschappen van het VONROC VPOWER 20V accu-platform.

Trillingsniveau

Het trillingsemissieniveau, dat in deze gebruiksaanwijzing wordt vermeld, is gemeten in overeenstemming met een gestandaardiseerde test volgens EN 62841; deze mag worden gebruikt om twee machines met elkaar te vergelijken en als voorlopige beoordeling van de blootstelling aan trilling bij gebruik van de machine voor de vermelde toepassingen.

- Het gebruik van de machine voor andere toepassingen, of met andere of slecht onderhouden accessoires, kan het blootstellingsniveau aanzienlijk verhogen.
- Wanneer de machine is uitgeschakeld of wanneer deze loopt maar geen werk verricht, kan dit het blootstellingsniveau aanzienlijk reduceren.

Bescherm uzelf tegen de gevolgen van trilling door de machine en de accessoires te onderhouden, uw handen warm te houden en uw werkwijze te organiseren.

BESCHRIJVING

De nummers in de tekst verwijzen naar de diagrammen op pagina 2-4.

1. Knop voor vergrendeling in de Uit-stand
2. Aan/uit schakelaar
3. Handgreep
4. Accu
5. Ontgrendelingsknop accu
6. Hulphandgreep
7. Voetplaat
8. Zaaghouder
9. Klemhendel
10. Inbussleutel
11. Grondplaatbouten
12. Werklicht
13. Led-controlelampjes knop
14. Led-controlelampjes accu
15. Accu lader
16. Led-controlelampjes acculader

3. ASSEMBLAGE



Neem altijd voor werkzaamheden aan het elektrische gereedschap de accu uit het gereedschap.



De accu moet zijn opgeladen voordat deze voor het eerst wordt gebruikt.

De accu in de machine plaatsen (Afb. A, F)



Zorg ervoor dat het oppervlak van de accu schoon en droog is voordat u deze op de acculader of de machine aansluit.

1. Plaats de accu (4) in de onderkant van de machine, zoals is weergegeven in Fig. F.
2. Duw de accu verder naar voren tot deze vastklikt.

De accu van de machine verwijderen (Afb. A, F)

1. Duw op de ontgrendelingsknop van de accu (5)
2. Trek de accu uit de machine zoals afgebeeld in Fig. F.

De laadstatus van de accu controleren (Afb. G)

- Druk kort op de knop (13) op de accu om de laadstatus van de accu te controleren.
- Op de accu bevinden zich 3 lampjes die het laadniveau aangeven. Hoe meer lampjes branden, des te meer is de accu opgeladen.
- Wanneer de lampjes niet branden, wil dit zeggen dat de accu leeg is en onmiddellijk moet worden opgeladen.

De accu laden met de acculader (Afb. G)

1. Haal de accu (4) uit de machine.
2. Draai de accu (4) ondersteboven en schuif deze op de acculader (15), zoals is weergegeven in Afb. G.
3. Duw op de accu tot deze volledig in de sleuf zit.
4. Steek de stekker van de acculader in een stopcontact en wacht even. De Led-lampjes op de acculader (16) gaan branden en tonen de status van de lader.

De acculader heeft 2 led-controlelampjes (16) dat de status van het laadproces aangeeft:

Status rode LED	Status groene LED	Status van acculader
Uit	Uit	Geen stroom
Uit	Aan	Standby mode: - Geen accu geplaatst, of - Opladen van de accu is beëindigd, de accu is volledig opgeladen
Aan	Uit	Bezig met opladen van accu

- Het kan tot 60 minuten duren voordat de 2Ah accu volledig is opgeladen.
- Het kan tot 120 minuten duren voordat de 4Ah accu volledig is opgeladen.

Verwijder, als de accu volledig is opgeladen, de stekker van de acculader uit het stopcontact en haal de accu uit de acculader.



Wanneer deze machine gedurende een langere tijd niet wordt gebruikt, is het raadzaam de accu te bewaren in opgeladen toestand.



Het zaagblad vervangen (Afb. A, C)

Draag beschermende handschoenen wanneer u het zaagblad monteert. Gevaar voor persoonlijk letsel wanneer u het zaagblad aanraakt.



Gebruik alleen zaagbladen waarvan de typische gegevens overeenkomen met die in de bedieningsinstructies.

Het zaagblad monteren



Let erop dat de zaagbladhouder vrij is van resten van materiaal (zoals splinters van hout of metaal).

1. Draai de klemhendel (9) zover mogelijk naar links en houd de hendel in die positie.
2. Steek het zaagblad in de zaaghouder (8). Controleer dat het zaagblad stevig bevestigd is en dat de tanden naar beneden wijzen.
3. Laat de klemhendel los. Controleer dat het zaagblad op z'n plaats is vergrendeld.

Zorg ervoor dat u het juiste zaagblad voor het overeenkomstige materiaal gebruikt. Inbegrepen bij de machine is een grof zaagblad voor hout en een fijn zaagblad voor metaal en kunststoffen.

Het zaagblad verwijderen

1. Draai de klemhendel (9) zover mogelijk naar links en houd de hendel in die positie.
2. Haal het zaagblad uit de zaaghouder (8).
3. Laat de klemhendel los.

4. BEDIENING

De machine in-/uitschakelen (Afb. A)

De Aan / Uit schakelaar (2) wordt gebruikt om de machine in te schakelen en de snelheid in te stellen.

- U kunt de machine starten door op de knop (1) voor vergrendeling de Uit-stand te drukken en ingedrukt te houden en op de Aan/Uit-schakelaar (2) te drukken.
- Hoe verder u de Aan/Uit-schakelaar (2) duwt, des te sneller zal het zaagblad bewegen. Welke snelheid nodig is, is afhankelijk van het materiaal en kan door middel van een zaagttest worden vastgesteld.
- U kunt de machine uitschakelen door de Aan/Uit-schakelaar (2) los te laten.

De voetplaat afstellen (Afb. B)

Doordat de voetplaat (7) beweegbaar is, past de hoek ervan zich aan het werkstuk aan. Verder kan de lengte van de voetplaat worden afgesteld, afhankelijk van de vereiste zaagdiepte.

1. Draai de bouten van de voetplaat (11) los met de bijgeleverde inbussleutel (10).
2. Stel de voetplaat (7) af.
3. Draai de bouten van de voetplaat (11) vast met de bijgeleverde inbussleutel (10). U kunt de inbussleutel op de machine opbergen, zoals wordt getoond in Afb. B.

Invallend zagen (Afb. D)

Het maken van een gat mag alleen worden gedaan bij zachte materialen zoals hout, cellenbeton, gipsplaten, enz. Dit vereist echter enige oefening en is alleen mogelijk met korte zaagbladen.

1. Plaats de zaag op het werkstuk en schakel het in.
2. Zorg ervoor dat de onderste hoek van de zool rust op het werkstuk zoals is afgebeeld.

3. Zaag rustig onder een hoek in het werkstuk, beweeg de zaag naar een verticale positie en ga verder met zagen langs de zaaglijn.
4. Schakel de zaag uit en til hem van het werkstuk wanneer u klaar bent met zagen.

Vlak afzagen (Afb. E)

Elastische bi-metalen zaagbladen maken het mogelijk om uitstekende objecten (bijv. waterleidingen, ijzeren stangen, enz.) nabij een muur af te zagen.

1. Druk het zaagblad direct tegen de muur en buig het enigszins zodat de zool tegen de muur rust.
2. Schakel de machine in en zaag het werkstuk af door een constant laterale druk uit te oefenen langs de muur.

Zaagtips

- Pas het zaagblad en het toerental aan op het materiaal dat u gaat bewerken. Het is het beste om een smal zaagblad te gebruiken voor bochten. Gebruik een koel- of glijmiddel wanneer u metaal zaagt om vibraties te voorkomen.
- Controleer hout, spaanplaat, bouwmaterial enz., op harde objecten (spijkers, schroeven enz.), voordat u gaat zagen en verwijder deze indien nodig.
- Klem het materiaal stevig vast. Ondersteun het werkstuk nooit met uw hand of voet. Raak nooit objecten of de vloer aan wanneer de zaag nog ingeschakeld is (gevaar op een terugslag).
- Druk de zool stevig tegen het werkstuk en zaag net een constante druk en snelheid. Wanneer het zaagblad vastloopt schakel dan onmiddellijk de zaag uit. Maak de zaagsnede wijder met een geschikt stuk gereedschap en verwijder het zaagblad.
- Schakel de machine na het werk uit en leg het pas neer wanneer het zaagblad volledig stil staat.

5. ONDERHOUD



Schakel, voordat u met de reiniging en het onderhoud begint, altijd de machine uit en haal het accupack uit de machine.

Reinig de machinebehuizing regelmatig met een zachte doek, bij voorkeur iedere keer na gebruik. Zorg dat de ventilatiesleuven vrij van stof en vuil zijn. Gebruik bij hardnekkig vuil een zachte doek bevochtigd met zeepwater. Gebruik geen oplosmiddelen als benzine, alcohol, ammonia, etc. Dergelijke stoffen beschadigen de kunststof onderdelen.

MILIEU



Defecte en/of afgedankte elektrische of elektronische gereedschappen dienen ter verwerking te worden aangeboden aan een daarvoor verantwoordelijke instantie.

Uitsluitend voor EG-landen

Werp elektrisch gereedschap niet weg bij het huisvuil. Conform de Europese Richtlijn 2012/19/EG voor Afgedankte Elektrische en Elektronische Apparatuur en de implementatie ervan in nationaal recht moet niet langer te gebruiken elektrisch gereedschap gescheiden worden verzameld en op een milieuvriendelijke wijze worden verwerkt.

GARANTIE

VONROC producten zijn ontworpen volgens de hoogste kwaliteitsstandaarden en gegarandeerd vrij van defecten, zowel materieel als fabrieksfouten, tijdens de wettelijk vastgestelde garantieperiode vanaf de eerste aankoopdatum. Mocht het product tijdens deze periode gebreken vertonen veroorzaakt door defecte materialen en/of fabrieksfouten, neem dan rechtstreeks contact op met VONROC.

De volgende situaties vallen niet onder de garantie:

- Er zijn reparaties of aanpassingen aan de machine uitgevoerd, of er is een poging daartoe ondernomen, door een nietgeautoriseerd servicecentrum.
- Normale slijtage.
- De machine is misbruikt, verkeerd gebruikt of slecht onderhouden.
- Er zijn niet-originele reserveonderdelen gebruikt.

Dit vormt de enige garantie opgesteld door het bedrijf zowel expliciet als impliciet. Er bestaan geen andere garanties expliciet of impliciet welke verder gaan dan deze garantie, inclusief impliciete garanties van verkoopbaarheid en geschiktheid voor bepaalde doeleinden. In geen enkel geval kan VONROC aansprakelijk worden gesteld voor incidentele schade of gevolgschade. Reparaties van dealers zijn gelimiteerd tot de reparatie of vervanging van defecte producten of onderdelen.

Het product en de gebruikershandleiding zijn onderhevig aan wijzigingen. Specificaties kunnen zonder opgave van redenen worden gewijzigd.

1. CONSIGNES DE SÉCURITÉ

En plus des avertissements de sécurité suivants, veuillez également lire les avertissements de sécurité additionnels ainsi que les instructions. Le non-respect des avertissements de sécurité et des instructions peut entraîner une décharge électrique, un incendie et/ou des blessures graves. Veuillez conserver les avertissements de sécurité et les instructions pour consultation ultérieure.

Les symboles suivants sont utilisés dans le manuel d'utilisation ou apposés sur le produit:



Lisez le manuel d'utilisation.



Signale un risque de blessures, un danger mortel ou un risque d'endommagement de l'outil en cas de non-respect des instructions de ce manuel.



Tenir les autres personnes à distance.



Porter une protection oculaire.



Porter une protection auditive.



Porter un masque antipoussière.



Zone de danger ! Tenir les mains éloignées (10 cm) de la zone de coupe lorsque la machine est en marche. Risque de blessure en cas de contact avec la lame de scie.



Utilisation en intérieur uniquement.



Machine de classe II - Double isolation - Vous n'avez pas besoin de prise avec mise à la terre.



Fusible miniature à fusion lente.



Température max. 45°C.



Ne jetez pas la batterie au feu.



Ne jetez pas la batterie dans de l'eau.



La batterie Li-ion fait l'objet d'une collecte séparée.

CE Le produit est conforme aux normes de sécurité en vigueur spécifiées dans les directives européennes.

CONSIGNES GÉNÉRALES DE SÉCURITÉ



AVERTISSEMENT! Veuillez lire l'intégralité des avertissements de sécurité et des instructions. Le nonrespect de toutes les instructions indiquées cidessous peut entraîner un risque de choc électrique, d'incendie et/ou de blessures graves.

Conservez ces instructions.

Le terme "appareil électrique" mentionné dans tous les avertissements cidessous se rapporte à un appareil électrique qui se branche au réseau électrique (grâce à un câble d'alimentation) ou à un appareil électrique (sans fil) fonctionnant grâce à une batterie.

1) Espace de travail

- a) **Veillez toujours à garder votre espace de travail propre et bien éclairé.** Les espaces mal rangés et sombres peuvent être la cause d'accidents.
- b) **N'utilisez pas les appareils électriques dans des environnements susceptibles d'explosion, par exemple en présence de liquides inflammables, de gaz ou de particules.** Les appareils électriques provoquent des étincelles qui peuvent enflammer les particules des émanations.
- c) **Veillez à garder éloignés les enfants et les personnes se trouvant dans votre voisinage, lors de l'utilisation d'un appareil électrique.** Les distractions peuvent vous faire perdre le contrôle de l'appareil.

2) Mesures de sécurité électriques

- a) **Les prises des appareils électriques doivent être raccordées à la prise murale correspondante. Ne modifiez jamais la prise de l'appareil, de quelque façon que ce soit. N'utilisez pas d'adaptateurs qui mettent les appareils électriques à la terre (mise à la masse).** Des prises non modifiées et branchées à la prise murale correspondante réduiront les risques de choc électrique.
- b) **Évitez le contact direct avec les surfaces mises à la terre ou mises à la masse comme les canalisations, les radiateurs, les cuisinières et les réfrigérateurs.** En effet, le risque de choc électrique s'accrît si votre corps est mis à la terre ou à la masse.
- c) **N'utilisez pas d'outils électriques dans des environnements pluvieux ou humides.** Si de l'eau

s'introduit dans un appareil électrique, le risque de choc électrique augmentera.

- d) **N'utilisez pas le câble de manière abusive. N'utilisez jamais le câble pour transporter, tirer ou débrancher l'appareil électrique. Veillez à garder le câble éloigné des sources de chaleur, des huiles, des rebords coupants ou des pièces actionnées.** Les câbles endommagés ou entremêlés augmentent le risque de choc électrique.
- e) **Lorsque un appareil est utilisé à l'extérieur, utilisez uniquement un câble prolongateur prévu à cet effet.** L'utilisation d'un câble à usage extérieur réduit le risque de choc électrique.
- f) **Si vous êtes contraint d'utiliser un outil électrique dans un environnement humide, utilisez une alimentation protégée par un dispositif à courant résiduel (RCD).** L'utilisation d'un RCD réduit le risque de décharge électrique.

3) Sécurité personnelle

- a) **Restez vigilant, gardez un œil sur ce que vous faites et utilisez votre sens commun lors de l'utilisation d'un appareil électrique. N'utilisez pas un appareil électrique si vous êtes fatigué ou si vous êtes sous l'influence de drogues, d'alcool ou si vous prenez des médicaments.** Un moment d'inattention lors de l'utilisation des appareils électriques peut entraîner des blessures graves.
- b) **Utilisez un équipement de protection personnelle. Protégez-vous toujours les yeux.** Les équipements de protection, tels qu'un masque à poussière, des chaussures antidérapantes, des protections auditives ou un casque de sécurité, utilisés dans de bonnes conditions, réduiront le risque de blessures.
- c) **Prévenez tout démarrage involontaire. Assurez-vous que l'interrupteur est sur la position "arrêt avant de brancher l'appareil.** En effet, le transport des appareils électriques en gardant vos doigts sur l'interrupteur, ou le branchement de ces appareils en ayant l'interrupteur sur "marche accidents.
- d) **Retirez les clés de réglage ou les clés de vis de réglage avant d'allumer l'appareil électrique.** Une clé de vis de réglage ou une clé, laissée sur une pièce en mouvement de l'appareil électrique, peut entraîner des lésions corporelles.
- e) **Ne pas se précipiter. Gardez toujours vos pieds à plat et gardez votre équilibre.** Ceci permet de mieux contrôler l'appareil électrique dans des situations imprévues.

- f) **Habillez-vous convenablement. Ne portez pas de vêtements lâches ou de bijoux. Gardez vos cheveux, vêtements et gants éloignés des pièces actionnées.** En effet, ces derniers peuvent être pris dans les pièces en action.
- g) **Si les appareils sont fournis pour la connexion des équipements d'évacuation et de récupération de la poussière, assurez-vous que ces derniers soient correctement connectés et utilisés.** L'utilisation de ces appareils peut réduire les risques liés à la poussière.
- h) **Ne pensez pas être familiarisé avec l'outil après l'avoir utilisé à de nombreuses reprises, au point de ne plus rester vigilant et d'en oublier les consignes de sécurité.** Toute action imprudente peut engendrer de graves blessures en une fraction de seconde
- 4) Utilisation et entretien d'un appareil électrique**
- a) **Ne forcez pas l'appareil électrique. Utilisez l'appareil électrique adéquat pour votre application.** Un appareil électrique correctement choisi assurera un meilleur travail et un travail sans danger, au rythme auquel il a été conçu.
- b) **N'utilisez pas l'appareil électrique si l'interrupteur marche/arrêt ne fonctionne pas.** Un appareil électrique qui ne peut pas être commandé par l'interrupteur de contrôle est dangereux et doit être réparé.
- c) **Débranchez la prise du bloc d'alimentation avant d'effectuer des réglages, de changer des accessoires, ou de ranger les appareils électriques.** Ces mesures de sécurité préventives réduiront le risque de démarrage involontaire de l'appareil électrique.
- d) **Rangez les appareils électriques arrêtés hors de la portée des enfants et ne laissez aucune personne, non familiarisée avec l'outil ou ces instructions, utiliser l'appareil électrique.** Les appareils électriques sont dangereux entre les mains d'utilisateurs non formés.
- e) **Entretenez les appareils électriques. Vérifiez tout défaut d'alignement et l'enchaînement des pièces actionnées, la rupture de ces dernières, et les autres conditions qui peuvent affecter le fonctionnement des appareils électriques. En cas de dommages, faites réparer l'appareil électrique avant de le réutiliser.** Nombreux sont les accidents provoqués par des appareils électriques mal entretenus.
- f) **Veillez à garder les outils coupants aiguisés et propres.** Des outils coupants correctement entretenus avec des lames aiguisées sont moins susceptibles de se bloquer et sont plus faciles à contrôler.
- g) **Utilisez l'appareil électrique, les accessoires et les embouts, etc., conformément à ces instructions et de la manière prévue pour le type spécifique de l'appareil électrique, en prenant en compte les conditions de travail et le travail à effectuer.** L'utilisation de l'appareil électrique dans des applications différentes de celles prévues peut entraîner des situations dangereuses.
- h) **Gardez les poignées et les surfaces de préhension sèches, propres et exemptes d'huile et de graisse.** Des poignées et des surfaces de préhension glissantes ne permettent pas de manipuler et de contrôler l'outil correctement en cas de situations inattendues.
- 5) Utiliser et soigner les outils à batterie**
- a) **Rechargez la batterie uniquement avec le chargeur spécifié par le fabricant.** Un chargeur adapté à une certaine batterie peut être cause de danger d'incendie quand on l'utilise avec une batterie différente.
- b) **Utilisez chaque outil uniquement avec la batterie conçue pour lui.** L'utilisation de toute autre batterie peut être cause de danger de blessure ou d'incendie.
- c) **Lorsque une batterie n'est pas en usage, gardez-la hors d'atteinte d'objets métalliques tels que les trombones, pièces de monnaie, clés, clous, vis et autres petits objets métalliques pouvant faire le contact entre une borne et l'autre.** Un court-circuit entre les bornes de la batterie peut être cause de brûlures ou d'incendie.
- d) **Dans des circonstances extrêmes, du liquide peut gicler hors de la batterie ; évitez tout contact. En cas de contact accidentel, rincez à l'eau. En cas de contact du liquide avec les yeux, consultez un médecin.** Le liquide qui gicle d'une batterie peut causer irritations ou brûlures.
- e) **N'utilisez pas un bloc-batterie ou un outil endommagé ou modifié.** Une batterie endommagée ou altérée peut avoir un comportement imprévisible qui peut conduire à un incendie, une explosion ou un risque de blessure.
- f) **N'exposez pas le bloc-batterie ou l'outil au feu ou à des températures excessives.** L'exposition au feu ou à des températures dépassant 130 °C peut provoquer une explosion. REMARQUE La

température de “130°C” peut être remplacé par la température de “265°F”.

- g) **Respectez les instructions pour la charge et ne rechargez pas le bloc-batterie ou l'outil à une plage de températures hors de celle spécifiée dans les instructions.** Une charge mal effectuée ou à des températures hors de la plage spécifiée peut endommager la batterie et augmente le risque d'incendie.
- 6) **Maintenance**
- a) **L'entretien de votre outil électrique doit être confié à un réparateur qualifié qui utilise uniquement des pièces de rechange identiques aux pièces d'origine.** Cela permet d'assurer la sécurité de l'outil électrique
- b) **Ne réparez jamais des blocs-batteries endommagés.** Les réparations sur les blocs-batteries ne doivent être effectuées que par le fabricant ou l'un de ses prestataires de services agréés.

INSTRUCTIONS DE SÉCURITÉ POUR SCIÉS SABRE

- **Tenir l'outil par les surfaces de préhension isolées, lors de la réalisation d'une opération au cours de laquelle l'organe de coupe peut entrer en contact avec un câblage non apparent.** Le contact avec un fil « sous tension » peut également mettre « sous tension » les parties métalliques exposées de l'outil électrique et provoquer un choc électrique sur l'opérateur.
- **Garder les mains à distance de la zone de sciage.** Ne pas passer les mains sous la pièce à travailler. Lors d'un contact avec la lame de scie, il y a risque de blessures.
- **N'approchez l'outil électroportatif de la pièce à travailler que quand l'appareil est en marche.** Sinon, il y a risque d'un contrecoup, au cas où l'outil se coincerait dans la pièce.
- **Veiller à ce que la plaque de base repose bien sur la pièce à travailler lors du sciage.** La lame de scie risque de se coincer, ce qui entraîne une perte de contrôle de l'outil électroportatif.
- **Une fois l'opération terminée, arrêter l'outil électroportatif et ne retirer la lame de scie de sa ligne de coupe que lorsque celle-ci est complètement à l'arrêt.** Ainsi, un contrecoup est évité et l'outil électroportatif peut être retiré en toute sécurité.
- **N'utiliser que des lames de scie en parfait état.** Les lames de scie déformées ou émoussées

peuvent se casser, avoir des effets négatifs sur la qualité de la coupe ou causer un contrecoup.

- **Une fois l'appareil arrêté, ne pas stopper la lame de scie en exerçant une pression latérale sur celle-ci.** La lame de scie peut être endommagée, se casser ou causer un contrecoup.
- **Utiliser des pinces ou autre moyen pratique pour fixer et soutenir la pièce à usiner sur une plateforme stable.** Tenir la pièce à usiner par la main ou contre le corps la rend instable et peut conduire à une perte de contrôle.
- **Utiliser des détecteurs appropriés afin de déceler des conduites cachées ou consulter les entreprises d'approvisionnement locales.** Un contact avec des conduites d'électricité peut provoquer un incendie ou un choc électrique. Un endommagement d'une conduite de gaz peut provoquer une explosion. La perforation d'une conduite d'eau provoque des dégâts matériels.
- **Toujours bien tenir l'outil électroportatif des deux mains et veiller à toujours garder une position de travail stable.** Avec les deux mains, l'outil électroportatif est guidé de manière plus sûre.
- **Bloquer la pièce à travailler.** Une pièce à travailler serrée par des dispositifs de serrage appropriés ou dans un étau est fixée de manière plus sûre que tenue dans les mains.
- **Avant de déposer l'outil électroportatif, attendre que celui-ci soit complètement à l'arrêt.** L'outil risque de se coincer, ce qui entraînerait une perte de contrôle de l'outil électroportatif.

AVERTISSEMENTS DE SECURITE POUR L'ACCU

- a) **Ne pas ouvrir l'accu.** Risque de court-circuit.
- b) **Protéger l'accu de toute source de chaleur, comme p. ex. l'exposition directe au soleil, au feu, à l'eau et à l'humidité.** Il y a risque d'explosion.
- c) **En cas d'endommagement et d'utilisation non conforme de l'accu, des vapeurs peuvent s'échapper. Ventiler le lieu de travail et, en cas de malaises, consulter un médecin.** Les vapeurs peuvent entraîner des irritations des voies respiratoires.
- d) **N'utilisez l'accumulateur qu'avec votre produit Vonroc.** Ceci protège l'accumulateur contre une surcharge dangereuse.
- e) **Les objets pointus comme un clou ou un tournevis et le fait d'exercer une force extérieure sur le boîtier risque d'endommager l'accu.** Il peut en résulter un court-circuit interne et l'accu

risque de s'enflammer, de dégager des fumées, d'exploser ou de surchauffer.

produit dans le tableau des caractéristiques qui suit pour obtenir la composition et le contenu corrects de votre kit.

AVERTISSEMENTS DE SECURITE POUR LE CHARGEUR

Utilisation prévue

Chargez uniquement à l'aide de la batterie Li-ion rechargeable CD801AA un CD803AA. Tout autre type de batterie est susceptible d'éclater et de provoquer des blessures et des dommages matériels.

- a) **L'appareil n'est pas destiné à être utilisé par des personnes (notamment des enfants) souffrant de déficiences physiques, sensorielles ou mentales, ou par des personnes inexpérimentées ou non formées. Toute utilisation doit se faire sous la surveillance d'une personne responsable et avec les instructions appropriées.**
- b) **Même sous surveillance, les enfants ne doivent pas jouer avec l'appareil.**
- c) **Ne rechargez pas les batteries non rechargeables!**
- d) **Veuillez effectuer la recharge des batteries dans un endroit bien ventilé!**

Sécurité électrique



Vérifiez si la tension d'alimentation électrique correspond bien à celle de la plaque signalétique.

- N'utilisez pas la machine si le câble secteur ou la fiche secteur est endommagé.
- Utilisez uniquement des rallonges adaptées à la puissance nominale de la machine et d'une section minimum de 1.5 mm². Si vous utilisez une bobine de rallonge, déroulez toujours complètement le câble.

2. INFORMATIONS RELATIVES À LA MACHINE

Utilisation prévue

La machine est conçue pour scier le bois, le plastique et le métal tout, en maintenant la semelle reposer fermement sur l'ouvrage. Il convient aux coupes droites et incurvées. Il est également possible de couper au ras de la surface de la pièce. Une lame de scie adaptée doit toujours être utilisée.

SPÉCIFICATIONS TECHNIQUES




Ce manuel a été élaboré pour plusieurs kits / numéros d'articles différents. Consultez le numéro d'article correspondant à votre

N° de modèle	Batteries incluses	Chargeur inclus
RS501DC	-	-
S_RS501DC	CD801AA	CD802AA
S2_RS501DC	2 x CD801AA	CD802AA
S3_RS501DC	CD803AA	CD802AA
S4_RS501DC	CD801AA	CD802AA

Informations sur la machine	
Tension du réseau	20V
Vitesse à vide	0-2800/min
Course de la scie	22mm
Capacité maximale, bois	100mm
Capacité maximale, acier	10mm
Poids	1,57 kg
Pression sonore L _{PA}	82,2 dB(A), K=3dB(A)
Puissance sonore L _{WA}	93,2 dB(A), K=3dB(A)
Vibration 'sciage poutre en bois'	16,844 m/s ² K=1.5 m/s ²
Vibration 'sciage contre-plaqué'	18,067 m/s ² K=1.5 m/s ²

N° de modèle	CD801AA
Type de batterie	Lithium-Ion
Tension	20V
Capacité	2,0 Ah
Chargeurs recommandés	CD802AA
Poids	0,3 kg

N° de modèle	CD802AA
Entrée chargeur	220-240V, 50Hz 0,4A
Sortie chargeur	21V 2,5A
Durée de charge 2Ah Batterie	60 minutes
Durée de charge 4Ah Batterie	120 minutes
Accus recommandés	CD801AA, CD803AA
Poids	0,36 kg

N° de modèle	CD803AA
Type de batterie	Lithium-Ion
Tension	20V 
Capacité	4,0 Ah
Chargeurs recommandés	CD802AA
Poids	0,65 kg

N'utilisez que les batteries suivantes de la plateforme Batterie VONROC VPOWER 20V. L'utilisation de toute autre batterie pourrait provoquer de graves blessures ou endommager l'outil.

CD801AA 20V, 2Ah Lithium-Ion

CD803AA 20V, 4Ah Lithium-Ion

Le chargeur suivant peut être utilisé pour recharger ces batteries.

CD802AA Chargeur rapide

Les batteries de la plateforme Batterie VONROC VPOWER 20V sont interchangeables pour tous les outils de la plateforme Batterie VONROC VPOWER 20V.

Niveau de vibrations

Le niveau des vibrations émises, indiqué dans ce manuel, a été mesuré conformément à la procédure décrite par la norme EN 62841. Il peut être utilisé pour comparer deux outils ou pour réaliser une estimation préalable de l'exposition aux vibrations lors de l'utilisation de l'outil pour les applications mentionnées.

- L'utilisation de l'outil dans d'autres applications ou avec des accessoires différents ou mal entretenus peut considérablement augmenter le niveau d'exposition.
- La mise hors tension de l'outil et sa non-utilisation pendant qu'il est allumé peuvent considérablement réduire le niveau d'exposition.

Protégez-vous contre les effets des vibrations par un entretien correct de l'outil et de ses accessoires, en vous échauffant les mains et en organisant vos rythmes de travail.

DESCRIPTION

Les numéros dans le texte se rapportent aux schémas des pages 2-4.

1. Bouton de verrouillage
2. Interrupteur Marche/Arrêt

3. Poignée
4. Batterie
5. Bouton de libération Batterie
6. Poignée auxiliaire
7. Semelle
8. Mandrin
9. Levier de serrage
10. Clé à 6 pans
11. Boulon de la semelle
12. Lampe de travail
13. Bouton indicateur de batterie
14. Indicateur de charge de la batterie
15. Chargeur
16. Indicateurs à LED du chargeur

3. MONTAGE



Avant tous travaux sur l'outil électroportatif, sortez l'accu.



Vous devez charger la batterie avant la première utilisation.

Insertion de la batterie dans la machine (Fig. A, F)



Vérifiez que la surface extérieure de la batterie est propre et sèche avant de brancher le chargeur ou la machine.

1. Insérez la batterie (4) dans la base de la machine, comme illustré à la Fig. F.
2. Poussez la batterie vers l'avant jusqu'à ce qu'elle s'enclenche.

Retrait de la batterie de la machine (Fig. A, F)

1. Poussez le bouton de déverrouillage de la batterie (5).
2. Retirez la batterie de la machine, comme illustré à la Fig. B.

Contrôle de l'état de charge de la batterie (Fig. G)

- Pour vérifier l'état de charge de la batterie, appuyez brièvement sur le bouton (13) de la batterie.
- Quatre voyants indiquent le niveau de charge de la batterie. Plus il y a de voyants allumés, plus la charge est importante.
- Lorsque les voyants sont éteints cela indique que la batterie est vide et qu'elle doit être rechargée immédiatement.

Recharge de la batterie avec le chargeur (Fig. G)

1. Retirez la batterie (4) de la machine.
2. Retournez la batterie (4) et faites-la glisser dans le chargeur (15), comme illustré à la Fig. G.
3. Enfoncez la batterie tout au fond du logement.
4. Branchez la fiche du chargeur dans une prise électrique et patientez. Les indicateurs à LED sur le chargeur (16) s'allument et indiquent l'état du chargeur.

Le chargeur possède deux indicateur à LED (16) qui indique l'état du processus de charge:

État de l'indicateur à LED rouge	État de l'indicateur à LED vert	État du chargeur
Éteint	Éteint	Aucune alimentation
Éteint	Allumé	Mode veille: - Aucune batterie n'est insérée ou, - La batterie est insérée, mais la charge s'est achevée
Allumé	Éteint	Batterie en cours de charge

- Il faut compter jusqu'à 60 minutes pour recharger complètement la batterie 2Ah.
- Il faut compter jusqu'à 120 minutes pour recharger complètement la batterie 4Ah.

Lorsque la batterie est entièrement chargée, débranchez le chargeur de la prise secteur et retirez la batterie du chargeur.



Quand la machine n'est pas utilisée pendant une période prolongée, il est préférable d'entreposer la batterie rechargée.

Remplacer la lame de scie (Fig. A,C)



Portez des gants de protection pour installer la lame de scie. Risque de blessure en cas de contact avec la lame.



N'utilisez que des lames de scie correspondant aux caractéristiques mentionnées dans les instructions d'utilisation.

Installer la lame de scie



Assurez-vous que le porte-lame est exempt de tout débris de matériau (éclats de bois ou de métal par exemple).

1. Tournez le levier de serrage (9) aussi loin que possible vers la gauche et maintenez-le en position.
2. Insérez la lame de scie dans le mandrin (8). Contrôlez que la lame de scie est bien sécurisée et que les dents pointent vers le bas.
3. Relâchez le levier de serrage. Contrôlez que la lame de scie est bien verrouillée en place.

Assurez-vous d'utiliser la bonne lame de scie pour le matériau correspondant. Inclus avec la machine est une lame de scie grossière pour le bois et une lame de scie fine pour le métal et les plastiques.

Retirer la lame de scie

1. Tournez le levier de serrage (9) aussi loin que possible vers la gauche et maintenez-le en position.
2. Retirez la lame de scie du mandrin (8).
3. Relâchez le levier de serrage.

4. FONCTIONNEMENT

Allumer et éteindre la machine (Fig. A)

L'interrupteur marche/arrêt (2) permet d'activer la machine et de régler la vitesse.

- Pour démarrer la machine, maintenez le bouton de verrouillage (1) enfoncé et appuyez sur l'interrupteur Marche/Arrêt (2).
- Plus l'interrupteur Marche/Arrêt (2) est enfoncé, plus la lame se déplace rapidement. La vitesse requise dépend de la matière de la pièce et elle peut être définie après des tests pratiques.
- Pour éteindre la machine, relâchez l'interrupteur Marche/Arrêt (2).

Régler la semelle (Fig. B)

Du fait de sa mobilité, l'angle de la semelle (7) peut s'adapter à l'ouvrage. De plus, la longueur de la semelle peut être réglée en fonction de la profondeur de coupe voulue.

1. Dévissez les boulons de la semelle (11) à l'aide de la clé à six pans (10) fournie.
2. Réglez la semelle (7).
3. Revissez les boulons de la semelle (11) à l'aide de la clé à six pans (10) fournie. Il est possible de ranger la clé à six pans dans la machine, comme illustré par la Fig. B.

Sciage en plongée (Fig. D)

Le sciage en plongée peut être effectuée uniquement sur des matériaux tendres comme le bois, les bétons cellulaires, les plaques de plâtre etc.. Cela exige cependant une certaine pratique et est uniquement possible avec des lames courtes.

1. Appuyez la scie sur la pièce à découper et mettez la sous tension.
2. Assurez-vous que le bord inférieur de la semelle est en appui sur la surface de la pièce à découper comme le montre le schéma.
3. Commencez à découper en pénétrant la scie selon un angle incliné, puis mettez la scie verticalement et continuez à scier long de la ligne de coupe.
4. Mettez la scie hors tension et retirez-la de la pièce lorsque le travail est terminé.

Sciage des pièces affleurantes (Fig. E)

Les lames souples bi métal vous permettent de scier les objets rencontrés dans le mur (ex: tuyaux, barreaux etc.)

1. Posez directement contre le mur la lame de la scie et ensuite incurvez-la de manière à ce que la semelle reste en appui contre le mur.
2. Mettez l'outil sous tension et découpez la pièce en maintenant une pression latérale constante contre le mur.

Utilisation optimale

- Réglez la lame de sciage et la cadence en fonction du matériau. Pour des découpes à angle droit il est conseillé d'utiliser une lame étroite. Utilisez un produit refroidissant ou lubrifiant pour éviter les vibrations se manifestant le long de la ligne de coupe des métaux.
- Préalablement à toute découpe, vérifiez que le bois, l'aggloméré, les matériaux de construction ne comportent pas de corps étrangers (clous, vis, etc...), le cas échéant les retirer, si nécessaire.
- Fixez correctement le matériau. Ne le maintenez pas en place manuellement ou avec le pied. Ne touchez pas les objets ou le sol avec la scie sous tension (risque de coup de fouet).
- Appuyez la semelle sur la surface de la pièce à découper et sciez en effectuant une pression et progression constantes. En cas de blocage de la lame, éteignez immédiatement l'outil. Écartez les deux bords de la pièce avec un outil approprié et dégagez la lame.

- la fin de la découpe, éteignez l'outil et attendez qu'il soit complètement arrêté avec de le poser.

5. ENTRETIEN

Avant le nettoyage et l'entretien, mettez toujours la machine hors tension et retirez la batterie de la machine.

Nettoyez le corps de la machine régulièrement au moyen d'un chiffon doux, de préférence après chaque utilisation. Vérifiez que les ouvertures d'aération ne sont pas obstruées ni sales. Utilisez un chiffon doux légèrement humidifié avec de la mousse de savon pour nettoyer les taches persistantes. N'utilisez pas de produits de nettoyage tels que l'essence, l'alcool, l'ammoniac, etc.; ces produits peuvent endommager les parties synthétiques.

ENVIRONNEMENT

Les équipements électroniques ou électriques défectueux ou destinés à être mis au rebut doivent être déposés aux points de recyclage appropriés.

Uniquement pour les pays de l'UE

Ne jetez pas les outils électriques avec les déchets domestiques. Selon la Directive européenne 2012/19/CE relative aux déchets d'équipements électriques et électroniques et sa mise en œuvre dans le droit national, les outils électriques hors d'usage doivent être collectés séparément et mis au rebut de manière écologique.

GARANTIE

Les produits VONROC sont développés aux plus hauts standards de qualité et ils sont garantis contre les défauts de pièces et de main d'oeuvre pendant la durée légale stipulée à partir de la date d'achat d'origine du produit. En cas d'une quelconque panne du produit pendant cette durée qui serait due à un défaut matériel et/ou de main d'oeuvre, contactez directement VONROC.

Les circonstances suivantes ne sont pas prises en charge par la garantie:

- Des réparations ou altérations ont été effectuées ou tentées sur la machine par un centre de réparation non agréé.

- L'usure normale.
- L'outil a été maltraité, mal utilisé ou mal entretenu.
- Des pièces détachées non d'origine ont été utilisées.

Ceci constitue l'unique garantie accordée par la société explicitement ou implicitement. Il n'existe aucune autre garantie, explicite ou implicite, qui peut s'étendre au delà du contenu ici présent, y compris les garanties marchandes ou d'adaptation à des fins particulières. En aucun cas VONROC ne sera tenu responsable de dommages accidentels ou consécutifs. Les solutions proposées par les revendeurs devront se limiter à la réparation ou le remplacement des éléments ou pièces non conformes.

Le produit et le manuel d'utilisation sont sujets à modifications. Les spécifications peuvent changer sans préavis.

1. INSTRUCCIONES DE SEGURIDAD

Lea las advertencias de seguridad, las advertencias de seguridad adicionales y las instrucciones adjuntas. De no respetarse las advertencias de seguridad y las instrucciones, podrían producirse descargas eléctricas, incendios y/o lesiones graves. Conserve las advertencias de seguridad y las instrucciones para su posterior consulta.

Los siguientes símbolos se utilizan en el manual de usuario o en el producto:



Lea el manual de usuario.



Riesgo de lesiones personales.



Mantenga a terceros, especialmente niños y mascotas, a una distancia superior a 10 m.



Use protección ocular.



Use protectores auditivos.



Use mascarilla contra el polvo.



¡Área de peligro! Mantenga las manos alejadas (10 cm) del área de corte cuando la máquina está en funcionamiento. Peligro de lesiones al entrar en contacto con la hoja de la sierra.



Fusible cinta miniatura de tipo retardado.



Temperatura máx. 45°C.



No arroje la batería al fuego.



No arroje la batería al agua.



Recogida selectiva de la batería de iones de litio.



El producto es conforme con las normas de seguridad vigentes en las Directivas Europeas.

INSTRUCCIONES GENERALES DE SEGURIDAD



PRECAUCIÓN! Lea todas las advertencias de seguridad y todas las instrucciones. Si no lo hace, el uso indebido puede acarrear cortocircuitos, fuego o lesiones graves.

Conserve estas instrucciones.

El término "herramienta eléctrica", en todas las advertencias enumeradas a continuación se refiere a su herramienta eléctrica (i nalámbrica) que funciona con una batería o a través de la red eléctrica.

1) Área de trabajo

- a) **Trabaje en un lugar limpio y bien iluminado.** Lugares no iluminados o sucios propician accidentes.
- b) **No use herramientas eléctricas donde haya riesgo de fuego o explosión, p.ej: cerca de líquidos o gases inflamables, polvo etc.** Las herramientas eléctricas producen chispas que pueden producir la ignición de partículas de humo.
- c) **Mantenga a los niños y otras personas alejados mientras utiliza la herramienta eléctrica.** Las distracciones pueden hacer que pierda el control de la herramienta.

2) Seguridad eléctrica

- a) **Cerciórese de que las clavijas de la herramienta eléctrica están correctamente enchufadas. Nunca modifique la clavija. No utilice ningún adaptador para la clavija de una herramienta eléctrica con conexión a tierra.** Las clavijas que no se hayan cambiado y los enchufes adecuados reducen el riesgo de cortocircuitos.
- b) **Evite el contacto humano con superficies con conexiones a tierra como tubos metálicos, conductos, tubos de la calefacción, radiadores y refrigeradores.** El riesgo de cortocircuitos es mayor cuando el cuerpo está en contacto con el suelo.
- c) **No use herramientas eléctricas bajo la lluvia o en entornos húmedos.** Si entra agua en una herramienta eléctrica aumenta el riesgo de cortocircuito.
- d) **No utilice el cable para todo. Nunca utilice el cable para mover la máquina, empujarla o sacar la clavija del enchufe. Mantenga el cable alejado del calor, aceite, zonas cortantes o piezas en movimiento.** Los cables dañados o enredados aumentan el riesgo de cortocircuito.
- e) **Use un cable alargador impermeable adecuado para exteriores cuando trabaje con la herramienta eléctrica al aire libre.**

El riesgo de cortocircuito es menor si utiliza un cable alargador adecuado para exteriores.

- f) **Si no se puede evitar el uso de la herramienta eléctrica en un lugar húmedo, use suministro protegido mediante dispositivo diferencial residual (DDR).** El uso de un DDR reduce el riesgo de choque eléctrico.
 - h) **No permita que la familiaridad adquirida con el uso frecuente de las herramientas le haga confiarse e ignorar los principios de seguridad de las herramientas.** Una acción descuidada puede causar lesiones graves en una fracción de segundo.
- ### 3) Seguridad personal
- a) **No se descuide, preste atención a lo que está haciendo y utilice el sentido común mientras trabaje con esta herramienta. No use herramientas eléctricas cuando esté cansado o esté bajo los efectos del alcohol, las drogas o los medicamentos.** Un momento de distracción, mientras utilice la herramienta eléctrica, puede provocar lesiones personales graves.
 - b) **Use equipo de protección individual. Use siempre gafas protectoras.** El uso en condiciones apropiadas del equipo de seguridad como por ejemplo: mascarilla antipolvo, zapatos antideslizantes de seguridad, casco o protección para los oídos, disminuye el riesgo de sufrir lesiones personales.
 - c) **Evite arranques involuntarios. Asegúrese de que el interruptor está en la posición de apagado antes de conectarlo a la fuente de electricidad.** Transportar herramientas eléctricas con el dedo puesto sobre el interruptor o enchufarlas con el interruptor encendido puede causar accidentes.
 - d) **Quite cualquier llave de ajuste antes de encender la herramienta eléctrica.** Una llave olvidada junto a una pieza móvil de la herramienta eléctrica puede provocar lesiones personales graves.
 - e) **No se estire demasiado. Mantenga siempre el equilibrio y tenga los pies en el suelo.** Esto permite un mayor control de la herramienta eléctrica en situaciones inesperadas.
 - f) **Vístase apropiadamente. No lleve prendas holgadas o joyas. Mantenga su pelo, ropa y guantes alejados de las piezas móviles.** Las prendas holgadas, las joyas y el pelo largo pueden quedar atrapados en las piezas móviles.
 - g) **Si se han suministrado dispositivos para la extracción y recogida de polvo asegúrese de que estos estén conectados y se utilicen correctamente.**

rectamente. El uso de estos dispositivos puede reducir los riesgos relacionados con el polvo.

- h) **Mantenga las asas y las superficies de agarre secas, limpias y libres de aceite y grasa.** Las asas y las superficies de agarre resbaladizas no permiten un manejo y control seguros de la herramienta en situaciones inesperadas.
- 4) **Utilización y cuidados de la herramienta eléctrica**
- a) **No fuerce la herramienta eléctrica. Utilice la herramienta eléctrica adecuada para el trabajo que vaya a realizar.** Una herramienta eléctrica apropiada realizará un trabajo mejor y más seguro si se utiliza para el objetivo con el que ha sido diseñada.
- b) **No use herramientas que no pueden encenderse o apagarse con el interruptor.** Las herramientas que ya no se puedan encender y apagar son peligrosas y deben repararse.
- c) **Desenchufe la clavija de la toma de electricidad antes de realizar modificaciones, cambiar accesorios o guardar las herramientas eléctricas.** Tales medidas de seguridad preventivas reducen el riesgo de la puesta en marcha accidental.
- d) **Mantenga a los niños alejados de una herramienta eléctrica sin utilizar y no permita a personas que no estén familiarizadas con la máquina o estas instrucciones utilizar la herramienta.** La herramienta eléctrica puede ser peligrosa cuando la utilicen personas sin experiencia.
- e) **Conserve sus herramientas cuidadosamente. Verifique cualquier desalineación o agarrotamiento de piezas móviles, piezas dañadas y cualquier otra causa, que pudiera repercutir en el buen funcionamiento de la herramienta eléctrica. Si la herramienta está estropeada, repárela antes de utilizarla.** Muchos de los accidentes están causados por un mantenimiento insuficiente del equipo eléctrico.
- f) **Mantenga las herramientas de corte limpias y afiladas.** Sierras con esquinas cortantes con un buen mantenimiento se bloquean menos y son más fáciles de controlar.
- g) **Utilice la herramienta eléctrica, accesorios y brocas etc. Siguiendo las instrucciones atendiendo al tipo de herramienta eléctrica y tenga en cuenta las condiciones de trabajo y el tipo de trabajo que se va a realizar.** Puede ser peligroso realizar trabajos con la herramienta diferentes de aquellos para los que está diseñada.
- 5) **Uso y cuidado de las herramientas alimentadas por batería**
- a) **Recargue las baterías únicamente con el cargador recomendado por el fabricante.** Un cargador que es apto para un tipo de baterías determinado puede provocar riesgo de incendio si se usa para cargar otra clase de baterías.
- b) **Use las herramientas eléctricas sólo con las baterías indicadas específicamente.** El uso de otra clase de baterías diferente puede ocasionar el riesgo de derivar en lesiones o un incendio.
- c) **Cuando el paquete de baterías no esté en uso, consérvelo retirado de objetos metálicos como sujetapapeles, monedas, llaves, clavos, tornillos o cualquier otro objeto metálico pequeño que pueda hacer puente entre las terminales.** El contacto entre las terminales de la batería puede causar quemaduras o incendio.
- d) **Bajo condiciones extremas de abuso la batería podría expulsar un líquido; evite todo contacto. Si se produjese contacto accidentalmente, lávese bien con agua. Si el líquido hace contacto con los ojos, consulte también al médico.** El líquido emanado de la batería puede causar irritaciones o quemaduras.
- e) **No utilice una batería o una herramienta que esté dañada o modificada.** Las baterías dañadas o modificadas pueden presentar un comportamiento impredecible y provocar un incendio, una explosión o riesgo de lesiones.
- f) **No exponga una batería o una herramienta al fuego o a temperatura excesiva.** La exposición al fuego o a temperaturas superiores a 130 °C puede provocar una explosión. NOTA La temperatura "130 °C" puede sustituirse por la temperatura "265 °F".
- g) **Siga todas las instrucciones de carga y no cargue la batería o la herramienta fuera del rango de temperatura especificado en las instrucciones.** La carga incorrecta o a temperaturas fuera del rango especificado puede causar daños a la batería y aumentar el riesgo de incendio.
- 6) **Servicio**
- a) **Haga reparar su herramienta eléctrica por una persona cualificada, usando solo piezas de repuesto idénticas.** Esto garantiza que se mantenga la seguridad de la herramienta eléctrica.
- b) **Nunca repare las baterías dañadas.** El mantenimiento de las baterías debe ser realizado solo

por el fabricante o los proveedores de servicio autorizados.

ADVERTENCIAS DE SEGURIDAD PARA SIERRAS ALTERNATIVAS

- **Aferre la herramienta eléctrica por las superficies de agarre aisladas cuando realice alguna operación en la que el accesorio de corte pueda entrar en contacto con cables ocultos.** Si el accesorio de corte entra en contacto con un cable bajo tensión, puede exponer las partes metálicas de la herramienta a tensión y ocasionar una descarga eléctrica al operador.
- **Mantenga las manos alejadas de la zona de corte. No ponga la mano debajo de la pieza de trabajo.** El contacto con la hoja de la sierra puede causar lesiones.
- **Coloque la máquina sobre la pieza de trabajo solo cuando la máquina esté encendida.** De lo contrario, existe el riesgo de contragolpes cuando la herramienta de corte se atasca en la pieza de trabajo.
- **Durante el aserrado, la placa base debe estar siempre orientada hacia la pieza de trabajo.** La hoja de la sierra puede quedar atascada y provocar la pérdida de control de la máquina.
- **Después de terminar el corte, desconecte la máquina y extraiga la hoja de la sierra del corte solo después de que se haya detenido.** De esta manera puede evitar el contragolpe y puede apoyar la máquina de forma segura.
- **Use solo hojas de sierra en perfecto estado y que no estén dañadas.** Las hojas de sierra dobladas o desafiladas pueden romperse, arruinar el corte o causar un contragolpe.
- **No frene la hoja de sierra para pararla aplicando una presión lateral después de desconectarla.** La hoja de la sierra puede dañarse, romperse o causar un contragolpe.
- **Utilice mordazas u otra forma práctica de asegurar y apoyar la pieza de trabajo en una plataforma estable.** La sujeción de la pieza de trabajo con las manos o contra el cuerpo hace que esté inestable y puede llevar a perder el control.
- **Use detectores apropiados para determinar si hay líneas de servicios ocultas en el área de trabajo o llame a la compañía de servicios local para obtener ayuda.** Cualquier contacto con las líneas eléctricas puede provocar incendios y descargas eléctricas. Si se daña un tubo de gas, se puede provocar una explosión. Si se

penetra en una línea de agua, se pueden causar daños a la propiedad.

- **Cuando trabaje con la máquina, sujétela siempre bien con ambas manos y adopte una postura firme.** La herramienta eléctrica se guía de modo más seguro con ambas manos.
- **Inmovilice la pieza de trabajo.** Una pieza de trabajo fijada con dispositivos de fijación o en un tornillo de banco se sujeta de forma más segura que con la mano.
- **Espere siempre a que la máquina se detenga completamente antes de soltarla.** La pieza insertada puede atascarse y provocar la pérdida de control de la herramienta eléctrica.

ADVERTENCIAS DE SEGURIDAD PARA LA BATERÍA

- a) **No abra la batería.** Existe peligro de cortocircuito.
- b) **Proteja la batería del calor, p. ej., de la luz solar intensa continua, los incendios, el agua y la humedad.** Peligro de explosión.
- c) **En caso de daño y uso incorrecto de la batería, esta puede emitir vapores. Ventile el área y consulte un médico si se siente mal.** Los vapores pueden irritar el sistema respiratorio.
- d) **Utilice la batería solo junto con su producto Vonroc.** Esta medida protege la batería de sobrecargas peligrosas.
- e) **La batería se puede dañar con objetos puntiagudos como clavos o destornilladores o si se somete a alguna fuerza exterior.** Puede producirse un cortocircuito interno que dé lugar a que la batería se incendie, emita humo, explote o se sobrecaliente.

ADVERTENCIAS DE SEGURIDAD PARA EL CARGADOR

Uso previsto

Cargue solo las baterías recargables CD801AA y CD803AA con el cargador. Otros tipos de baterías pueden estallar y causar lesiones y daños.

- a) **El aparato no debe ser usado por personas (incluidos niños) con capacidad física, sensorial o mental reducida, o que no tengan experiencia o conocimiento suficientes, salvo que hayan sido capacitadas o estén bajo supervisión.**
- b) **Controle que los niños no jueguen con el aparato.**
- c) **No recargue baterías no recargables.**
- d) **Durante la carga, las baterías deben colocarse en un lugar bien ventilado.**

Seguridad eléctrica



Compruebe siempre que la tensión del suministro eléctrico corresponda con la tensión de la placa de características.

- No utilice la máquina si el cable o el enchufe eléctrico han sufrido daños.
- Utilice únicamente cables alargadores que sean adecuados para la potencia nominal de la máquina con un grosor mínimo de 1.5 mm². Si utiliza un cable alargador en rollo, desenrolle totalmente el cable.

2. INFORMACIÓN DE LA MÁQUINA

Uso previsto

La máquina ha sido diseñada para aserrar madera, plástico y metal, manteniendo la placa base firmemente apoyada en la pieza de trabajo. Es adecuada para cortes rectos y curvos. También se puede cortar a ras de la superficie de la pieza. Siempre se debe usar una hoja de sierra adecuada.

ESPECIFICACIONES TÉCNICAS



Este manual ha sido redactado para diferentes números de juegos/artículos. Compruebe el número de artículo correspondiente en la siguiente tabla de especificaciones para conseguir la composición y el contenido correctos de su juego.

Modelo n.º	Baterías incluidas	Cargador incluido
RS501DC	-	-
S_RS501DC	CD801AA	CD802AA
S2_RS501DC	2 x CD801AA	CD802AA
S3_RS501DC	CD803AA	CD802AA
S4_RS501DC	CD801AA	CD802AA

Información de la máquina	
Voltaje principal	20V
Velocidad sin carga	0-2800/min
Carrera de la sierra	22mm
Cap. máx. de la sierra, madera	100mm
Cap. máx. de la sierra, acero	10mm

Peso	1,57 kg
LpA (Nivel de presión sonora)	82,2 dB(A), K=3dB(A)
LwA (Nivel de potencia sonora)	93,2 dB(A), K=3dB(A)
Vibración "Aserrar vigas de madera"	16,844 m/s ² K=1,5 m/s ²
Vibración "Cortar madera contrachapada"	18,067 m/s ² K=1,5 m/s ²

Modelo n.º	CD801AA
Tipo de batería	iones de litio
Voltaje	20V
Capacidad	2,0 Ah
Cargador recomendado	CD802AA
Peso	0,3 kg

Modelo n.º	CD802AA
Entrada del cargador	220-240V, 50Hz 0,4A
Salida del cargador	21V 2,5A
Tiempo de carga de la batería de 2 Ah	60 minutos
Tiempo de carga de la batería de 4 Ah	120 minutos
Baterías recomendadas	CD801AA, CD803AA
Peso	0,36 kg

Modelo n.º	CD803AA
Tipo de batería	Liones de litio
Voltaje	20V
Capacidad	4,0 Ah
Cargador recomendado	CD802AA
Peso	0,65 kg

Use solo las siguientes baterías de la plataforma de baterías VONROC VPOWER 20V. El uso de cualquier otra batería puede causar lesiones graves o dañar la herramienta.

- CD801AA 20V, 2 Ah de iones de litio
- CD803AA 20V, 4 Ah de iones de litio

Para cargar estas baterías se puede utilizar el siguiente cargador de batería.
CD802AA Cargador rápido

Las baterías de la plataforma de baterías VONROC VPOWER 20V son intercambiables con todas las herramientas de la plataforma de baterías VONROC VPOWER 20V.

Nivel de vibración

El nivel de emisión de vibraciones indicado en este manual de instrucciones ha sido medido según una prueba estándar proporcionada en EN 62841 puede utilizarse para comparar una herramienta con otra y como valoración preliminar de la exposición a las vibraciones al utilizar la herramienta con las aplicaciones mencionadas.

- al utilizarla para distintas aplicaciones o con accesorios diferentes o con un mantenimiento deficiente, podría aumentar de forma notable el nivel de exposición.
- en las ocasiones en que se apaga la herramienta o cuando está funcionando pero no está realizando ningún trabajo, se podría reducir el nivel de exposición de forma importante.

Protéjase contra los efectos de la vibración realizando el mantenimiento de la herramienta y sus accesorios, manteniendo sus manos calientes y organizando sus patrones de trabajo.

DESCRIPCIÓN

Los números del texto se refieren a los diagramas de las páginas 2-4.

1. Botón de bloqueo
2. Botón de encendido / apagado
3. Empuñadura
4. Batería (no incluido)
5. Botón de desbloqueo de la batería
6. Empuñadura auxiliar
7. Placa de base
8. Mandril
9. Palanca de sujeción
10. Llave hexagonal
11. Pernos de la placa de base
12. Luz de trabajo
13. Botón de indicadores LED de batería
14. Indicadores LED de la batería
15. Cargador
16. Indicadores LED del cargador

3. MONTAJE



Antes de realizar cualquier trabajo en la herramienta eléctrica, extraiga la batería.



Debe cargarse la batería antes de usar por primera vez la herramienta.

Insertar la batería en la máquina (Fig. A, F)



Compruebe que la parte exterior de la batería esté limpia y seca antes de colocarla en el cargador o en la máquina.

1. Inserte la batería (4) en la base de la máquina como se muestra en la Fig. F.
2. Pulse la batería más hacia delante hasta que haga clic en su sitio.

Extraer la batería de la máquina (Fig. A, F)

1. Apriete los botones de desbloqueo de la batería (5).
2. Saque batería de la máquina como se muestra en la Fig. F.

Comprobación del estado de carga de la batería (Fig. G)

- Para comprobar el estado de carga de la batería, apriete brevemente el botón (13) de la batería.
- La batería tiene 3 luces que indican el nivel de carga, cuantas más luces estén encendidas, más batería queda.
- Cuando las luces están apagadas significa que la batería está vacía y debe cargarse inmediatamente.

Carga de la batería con el cargador (Fig.G)

1. Extraiga la batería (4) de la máquina.
2. Dé vuelta la batería (4) y deslícela en el cargador (15) como se muestra en la Fig G.
3. Empuje la batería hasta que quede totalmente colocada en la ranura.
4. Enchufe el enchufe del cargador en una toma de corriente eléctrica y espere un poco. Los indicadores de LED del cargador (16) se encenderán y mostrarán el estado del cargador.

El cargador tiene 2 indicadores de LED (16) que indican el estado del proceso de carga:

LED de estado rojo	LED de estado verde	Estado de la carga
Desactivado	Desactivado	Sin alimentación
Desactivado	Activado	Modo espera: - No hay ninguna batería insertada o, - Se ha insertado la batería pero el proceso de carga ha finalizado
Activado	Desactivado	Carga de la batería en curso

- La carga completa de la batería de 2 Ah puede llevar hasta 60 minutos.
- La carga completa de la batería de 4 Ah puede llevar hasta 120 minutos.

Después de que la batería esté totalmente cargada, desenchufe el enchufe del cargador de la toma de corriente y extraiga la batería del cargador.



Cuando la no vaya a utilizarse la máquina durante un período de tiempo prolongado, es conveniente guardar la batería cargada.

Sustitución de la hoja de la sierra (Fig. A, C)



Cuando monte la hoja de la sierra, use guantes protectores. Peligro de lesiones al tocar la hoja de la sierra.



Utilice únicamente hojas de sierra que correspondan con los datos de las características indicados en las instrucciones de funcionamiento.

Montar la hoja de la sierra



Compruebe que el portahoja no tenga restos de material (como astillas de madera o metal).

1. Gire la palanca de sujeción (9) lo más a la izquierda posible y mantenerla en esa posición.
2. Insertar la hoja de la sierra en el mandril (8). Compruebe que la hoja de la sierra está bien sujeta y que los dientes apuntan hacia abajo.
3. Suelte la palanca de sujeción. Compruebe si la hoja de la sierra está bloqueada en su sitio.

Asegúrese de usar la hoja de sierra adecuada para el material que corresponda. La máquina se suministra con una hoja de sierra para madera y una hoja de sierra fina para metal y plástico.

Desmontar la hoja de la sierra

1. Gire la palanca de sujeción (9) lo más a la izquierda posible y mantenerla en esa posición.
2. Extraer la hoja de sierra del mandril (8).
3. Suelte la palanca de sujeción.

4. FUNCIONAMIENTO

Encendido y apagado de la máquina (Fig. A)

El interruptor de encendido / apagado (2) se utiliza para activar la máquina y ajustar la velocidad.

- Para encender la máquina, mantenga pulsado el botón de desbloqueo (1) y después pulse el interruptor de Encendido/Apagado (2).
- Cuanto más se pulse el interruptor de encendido/apagado (2), más rápido se moverá la hoja. La velocidad requerida depende del material y puede establecerse mediante pruebas prácticas.
- Para parar la máquina, suelte el interruptor de encendido/apagado (2).

Ajuste de la placa de base (Fig. B)

Gracias a su movilidad, el ángulo de la placa de base (2) se adapta a la pieza de trabajo. Además, la longitud de la placa de base puede ajustarse en función de la profundidad de aserrado que se desee.

1. Afloje los pernos de la placa de base (11) utilizando la llave hexagonal (10) suministrada.
2. Ajuste la placa de base (2).
3. Apriete los pernos de la placa de base (11) utilizando la llave hexagonal (10) suministrada. La llave hexagonal puede guardarse en la máquina como se muestra en la Fig. B.

Corte de desplome (Fig. D)

El corte de desplome tan sólo puede utilizarse con materiales suaves como la madera, el hormigón aireado, los paneles de yeso, etc. Sin embargo, exige una determinada práctica y tan sólo es posible con hojas de sierra cortas.

1. Coloque la sierra en la pieza de trabajo y enciéndala.
2. Asegúrese de que el borde inferior de la placa base permanece en la pieza de trabajo tal y como se indica.

3. Corte lentamente la pieza de trabajo en ángulo, moviendo la sierra en posición vertical a lo largo de la línea de corte.
4. Apague la sierra y retírela de la pieza cuando haya acabado el trabajo.

Corte a ras (Fig. E)

Las hojas de las sierras elásticas bi-metálicas le permiten cortar objetos salientes (tuberías de agua, barras de acero, etc.) cercanas a la pared.

1. Aplique la hoja de la sierra directamente a la pared y tuerza ligeramente para que la placa base descansa en la pared.
2. Encienda la herramienta y sierre la pieza de trabajo manteniendo una presión lateral constante contra la pared.

Consejos sobre el corte

- Ajuste la carrera y la hoja de la sierra al material que se ha de cortar. Para las curvas derechas radiales, es mejor utilizar una cuchilla de sierra estrecha. Aplique un refrigerante o un lubricante para resolver la agitación producida en la línea de corte cuando corte metal.
- Compruebe que no hay cuerpos extraños en la madera, paneles centrales, materiales de construcción (tornillos, clavos, etc.), antes de cortar y sáquelos, si es necesario.
- Fije el material correctamente. No soporte la pieza de trabajo con la mano o el pie. No toque objetos o el suelo con la sierra girando (peligro de contragolpe).
- Deposite la placa base sobre la superficie de la pieza de trabajo y siérrela ejerciendo una presión constante de contacto o alimentación. Si la cuchilla de la sierra se detiene, apague inmediatamente la máquina. Extienda la diferencia con una herramienta adecuada y tire de la cuchilla de la sierra
- Una vez finalizado el trabajo, apague la herramienta y vuelva sólo a ponerla en marcha una vez se haya detenido por completo.

5. MANTENIMIENTO



Antes de realizar la limpieza y el mantenimiento, apague siempre la máquina y extraiga el paquete de baterías de la máquina.

Limpie la máquina regularmente con un trapo suave, preferiblemente tras cada utilización. Man-

tenga los agujeros de ventilación libres de polvo y suciedad. Elimine la suciedad persistente con un trapo suave humedecido con agua jabonosa. No utilice ningún disolvente como gasolina, alcohol, amoníaco, etc. Productos de esta clase dañan las partes de plástico.

MEDIOAMBIENTE



Los aparatos eléctricos o electrónicos defectuosos y/o desechados deben recogerse en lugares de reciclado apropiado.

Solo para países de la Comunidad Europea

No elimine las herramientas eléctricas como residuos domésticos. De acuerdo con la Directiva europea 2012/19/CE sobre residuos de aparatos eléctricos y electrónicos, y su transposición a las legislaciones nacionales, las herramientas eléctricas que ya no se utilizan deben recogerse por separado y eliminarse en modo ecológico.

CONDICIONES DE GARANTÍA

Los productos VONROC han sido desarrollados con los más altos estándares de calidad y VONROC garantiza que están exentos de defectos relacionados con los materiales y la fabricación durante el periodo legalmente estipulado, a contar desde la fecha de compra original. En caso de que el producto presente defectos relacionados con los materiales y/o la fabricación durante este periodo, póngase directamente en contacto VONROC.

La presente garantía se excluye en los siguientes casos:

- Si centros de servicios no autorizados han realizado o han intentado realizar reparaciones y/o alteraciones a la máquina.
- Si se ha producido un desgaste normal.
- Si la herramienta ha sido mal tratada o usada en modo impropio, o se ha realizado incorrectamente su mantenimiento.
- Si se han utilizado piezas de repuesto no originales.

La presente constituye la única garantía implícita y explícita que ofrece la compañía. No existen otras garantías explícitas o implícitas que excedan las citadas aquí, incluidas las garantías implícitas de comerciabilidad e idoneidad para una finalidad en

especial. VONROC no será considerada responsable en ningún caso por daños incidentales o consecuentes. Los recursos a disposición de los distribuidores se limitan a la reparación o a la sustitución de las unidades o piezas no conformes.

El producto y el manual de usuario están sujetos a variaciones. Las especificaciones pueden variarse sin previo aviso.

1. ISTRUZIONI DI SICUREZZA

Leggere accuratamente gli avvisi di sicurezza, gli avvisi di sicurezza aggiuntivi e le istruzioni. La mancata osservanza degli avvisi di sicurezza e delle istruzioni potrebbe causare scosse elettriche, incendio e/o gravi lesioni. Mantenere gli avvisi di sicurezza e le istruzioni a portata di mano per future consultazioni.

I seguenti simboli sono utilizzati nel presente manuale utente o sul prodotto:



Leggere il manuale utente.



Pericolo di lesioni personali.



Tenere i presenti (in particolare bambini e animali domestici) a più di 10 metri di distanza.



Indossare dispositivi di protezione per gli occhi.



Indossare dispositivi di protezione per l'udito.



Indossare una maschera antipolvere.



Area di pericolo! Tenere le mani a debita distanza (10 cm) dall'area di taglio mentre l'elettro utensile è in funzione. Pericolo di lesioni personali in caso di contatto con la lama.



Fusibile miniaturizzato a tempo ritardato.



Temperatura massima 45° C.



Non gettare la batteria nel fuoco.



Non gettare la batteria nell'acqua.



Raccolta differenziata per la batteria agli ioni di litio.



Il prodotto è conforme alle norme di sicurezza applicabili ai sensi delle direttive europee vigenti.

REGOLE GENERALI DI SICUREZZA



ATTENZIONE! Leggere tutte le avvertenze di sicurezza e tutte le istruzioni. Se non si seguono tutte le istruzioni sotto elencate, si può incorrere in uno shock elettrico, in un incendio e/o in lesioni serie.

Conservare queste istruzioni.

Il termine "arnese elettrico" in tutti gli avvertimenti sotto elencati si riferisce al vostro arnese elettrico che funziona a corrente (con filo) o ad un arnese che funziona a pile (senza filo).

1) Area di lavoro

- a) **Mantenere l'area di lavoro pulita e ben illuminata.** Aree buie e disordinate favoriscono gli incidenti.
- b) **Non usare arnesi elettrici in atmosfere esplosive, come vicino ai liquidi infiammabili, gas o polveri.** Gli arnesi elettrici creano scintille che possono incendiare la polvere dei vapori.
- c) **Tenere lontani bambini e altre persone mentre si accende l'arnese elettrico.** Le distrazioni possono farvi perdere il controllo.

2) Sicurezza elettrica

- a) **Le spine dell'arnese elettrico devono andare bene per la presa di corrente. Non modificare mai la spina in alcun modo. Non usare alcun adattatore con arnesi elettrici a terra (messo a terra).** Spine non modificate che vanno bene per le prese di corrente ridurranno il rischio di shock elettrico.
- b) **Evitare il contatto corporeo con superfici a terra come tubature, radiatori, fornelli e refrigeratori.** C'è un rischio maggiore di shock elettrico se il vostro corpo è a terra.
- c) **Non esporre arnesi elettrici alla pioggia o a condizioni di umidità.** Se dell'acqua penetra nell'arnese elettrico aumenterà il rischio di shock elettrico.
- d) **Non abusare del filo. Non usare mai il filo per trasportare, spingere o staccare dalla presa l'arnese elettrico. Tenere il filo lontano da calore, olio, bordi taglienti o parti mobili.** Fili danneggiati o aggrovigliati aumentano il rischio di shock elettrico.
- e) **Quando si accende un arnese elettrico all'aperto, usare una prolunga adatta a tale uso.** Usare un filo adatto all'uso all'aperto ridurrà il rischio di shock elettrico.
- f) **Se non è possibile evitare l'uso di un elettroutensile in ambiente umido, usare una**

rete di alimentazione protetta da un interruttore differenziale (salvavita). L'uso di un salvavita riduce il rischio di scosse elettriche.

3) Sicurezza personale

- a) **Stare vigili e attento quando si accende un arnese elettrico. Non usare un arnese elettrico mentre si è stanco o sotto l'effetto di droghe, alcool o medicinali.** Un momento di disattenzione mentre si accendono arnesi elettrici può causare delle gravi lesioni personali.
- b) **Usare dispositivi di protezione individuale. Indossare sempre una protezione per gli occhi.** Dispositivi di sicurezza come mascherina per la polvere, scarpe di sicurezza antiscivolo, casco, o protezioni per le orecchie usate nelle appropriate condizioni, ridurranno le lesioni personali.
- c) **Prevenire l'avvio accidentale. Assicurarsi che l'interruttore sia spento prima di collegarsi.** Trasportare elettroutensili tenendo il dito sull'interruttore di accensione o dare corrente ad elettroutensili con l'interruttore acceso può dare luogo a incidenti.
- d) **Rimuovere ogni chiave regolatrice o chiave per dadi prima di accendere l'arnese elettrico.** Una chiave per dadi o una chiave lasciata attaccata ad una parte rotante dell'arnese elettrico può provocare lesioni personali.
- e) **Cercare di mantenere l'equilibrio. Mantenere sempre un punto d'appoggio appropriato.** Questo consente un controllo migliore dell'arnese elettrico in situazioni inaspettate.
- f) **Vestirsi adeguatamente. Non indossare vestiti larghi o gioielli. Tenere lontano capelli, vestiti e guanti dalle parti mobili.** Vestiti larghi, gioielli o capelli lunghi possono essere presi nelle parti mobili.
- g) **Se vengono forniti dispositivi per la connessione dell'estrazione della polvere e attrezzature di raccolta, assicurarsi che questi siano collegati e usati correttamente.** L'uso di questi dispositivi può ridurre i rischi correlati alla polvere.
- h) **Non lasciare che la confidenza acquisita dall'uso frequente induca l'utilizzatore ad assumere comportamenti imprudenti e a ignorare i principi di sicurezza per l'utensile.** Una semplice distrazione può provocare gravi lesioni personali in una frazione di secondo.

4) Uso e manutenzione dell'arnese elettrico

- a) **Non forzare l'arnese elettrico. Usare l'arnese elettrico corretto per il vostro impiego.** L'arnese elettrico corretto farà il lavoro meglio e in maniera più sicura alla velocità per la quale è stato progettato.
- b) **Non usare l'arnese elettrico se l'interruttore non si accende o non si spegne.** Ogni arnese elettrico che non può essere controllato con l'interruttore è pericoloso e deve essere riparato.
- c) **Scollegare la spina dalla sorgente di elettricità prima di fare qualsiasi regolazione, cambiare gli accessori, o conservare arnesi elettrici.** Tali misure di sicurezza preventive riducono il rischio di accendere l'arnese elettrico accidentalmente.
- d) **Conservare gli arnesi elettrici inattivi fuori dalla portata dei bambini e non permettere a persone che non hanno confidenza con l'arnese elettrico o con queste istruzioni di usare l'arnese elettrico.** Gli arnesi elettrici sono pericolosi per utenti inesperti.
- e) **Mantenere gli arnesi elettrici. Controllare il non allineamento o l'attacco di parti mobili, la rottura di parti ed ogni altra condizione che può influire sul funzionamento degli arnesi elettrici. Se è danneggiato, far riparare l'arnese elettrico prima dell'uso.** Molti incidenti sono causati da arnesi elettrici mantenuti male.
- f) **Mantenere gli arnesi da taglio affilati e puliti.** È meno probabile che si attacchino degli arnesi da taglio mantenuti correttamente con tagli affilate e questi sono anche più facili da controllare.
- g) **Usare l'arnese elettrico, gli accessori e le parti dell'arnese ecc, secondo queste istruzioni e nel modo pensato per il particolare tipo di arnese elettrico, tenendo conto delle condizioni di lavoro e del lavoro da svolgere.** L'uso dell'arnese elettrico per operazioni diverse da quelle pensate potrebbe causare situazioni pericolose.
- h) **Mantenere le impugnature e le superfici di presa asciutte, pulite e libere da olio e grasso.** Impugnature e superfici di presa scivolose non consentono di maneggiare e controllare in sicurezza l'utensile in situazioni impreviste.

5) Uso e manutenzione dell'utensile a batteria

- a) **Ricaricare l'apparecchio esclusivamente con il caricabatterie specificato dal fabbricante.** Se si utilizza un caricabatterie di diverso tipo potrebbero verificarsi incendi.
- b) **Utilizzare gli utensili elettrici solo con i pacchi batterie appositamente prescritti.** L'uso di

pacchi batterie di diverso tipo aumenta il rischio di infortunio o incendio.

- c) **Quando il pacco batterie non è in uso, tenerlo lontano da oggetti metallici quali fermagli, monete, chiavi, chiodi, viti o altri piccoli oggetti metallici che potrebbero mettere in collegamento i due poli.** Se i poli vengono messi in corto circuito, la batteria potrebbe emettere scintille o fiammate.
- d) **In condizioni di uso scorretto, la batteria potrebbe emettere liquido: evitare pertanto di entrarvi in contatto. In caso di contatto accidentale, risciacquare con acqua. Se il liquido entra a contatto con gli occhi, consultare immediatamente un medico.** Il liquido emesso dalla batteria può causare irritazioni o ustioni.
- e) **Non utilizzare un pacco batterie o l'utensile se danneggiati o manomessi.** Pacchi batterie danneggiati o manomessi potrebbero avere comportamenti imprevisti con il rischio di incendiarsi, esplodere o provocare lesioni a persone.
- f) **Non esporre un pacco batterie o l'utensile alle fiamme o a temperature eccessivamente elevate.** L'esposizione alle fiamme o a temperature superiori a 130 °C potrebbe provocare un'esplosione. NOTA: la temperatura di "130 °C" corrisponde a "265 °F".
- g) **Seguire tutte le istruzioni per la ricarica e non caricare il pacco batterie o l'utensile a temperature che non rientrino nell'intervallo specificato nelle istruzioni.** Se si effettua la ricarica in modo improprio o a temperature non comprese nell'intervallo specificato, il pacco batterie potrebbe subire danni e potrebbe aumentare il rischio di incendi.

6) Riparazione

- a) **L'assistenza per l'elettroscopio deve essere prestata da un tecnico qualificato che utilizzi soltanto ricambi originali.** In questo modo viene garantita la sicurezza dell'elettroscopio.
- b) **Non tentare di riparare pacchi batterie danneggiati.** La riparazione dei pacchi batteria deve essere effettuata esclusivamente dal produttore o presso centri di assistenza autorizzati.

AVVERTENZE DI SICUREZZA PER LE SEGHE ALTERNATIVE

- **Quando si eseguono operazioni in cui l'accessorio da taglio potrebbe entrare in contatto con fili elettrici nascosti, tenerlo esclusivamente dalle superfici di presa isolate.** Gli accessori da taglio che vengono a contatto con un cavo sotto tensione trasmettono la corrente elettrica anche

alle parti metalliche esposte dell'elettrotensile, con il pericolo di provocare la folgorazione dell'operatore.

- **Tenere le mani lontane dal disco di taglio. Non sporgersi sotto il pezzo in lavorazione.** Il contatto con la lama della sega può provocare lesioni personali.
- **Appoggiare la lama sul pezzo da lavorare solo una volta acceso l'elettrotensile.** In caso contrario sussiste il pericolo di contraccolpo, se l'utensile da taglio si dovesse inceppare nel pezzo in lavorazione.
- **Durante l'esecuzione di un taglio il piedino deve essere sempre rivolto verso il pezzo in lavorazione.** La lama della sega può incastrarsi e comportare la perdita di controllo dell'elettrotensile.
- **Una volta terminata l'esecuzione del taglio, spegnere l'elettrotensile e prima di estrarre la lama dal taglio eseguito attendere che si sia arrestata completamente.** In questo modo è possibile evitare contraccolpi e appoggiare la macchina in sicurezza.
- **Usare esclusivamente lame integre, in perfette condizioni.** Lame deformate o non affilate possono rompersi, influenzare negativamente il taglio oppure causare un contraccolpo.
- **Dopo aver spento l'elettrotensile, non cercare di arrestare la lama esercitando pressione lateralmente.** La lama può danneggiarsi, rompersi o provocare un contraccolpo.
- **Utilizzare morsetti o altri metodi analoghi per sostenere il pezzo in lavorazione e assicurarlo su una piattaforma stabile.** Se si tiene il pezzo in lavorazione con una mano o contro il proprio corpo, il pezzo non è fissato in modo stabile e si potrebbe perdere il controllo.
- **Utilizzare rilevatori appropriati per stabilire se sono presenti fili elettrici o tubature nascosti nell'area di lavoro oppure telefonare all'azienda di erogazione locale per richiedere assistenza.** Un contatto accidentale con un filo elettrico può provocare un incendio e una scossa elettrica. Una tubatura del gas danneggiata può causare un'esplosione. La perforazione di una tubatura dell'acqua provoca danni materiali.
- **Durante il lavoro tenere saldamente l'elettrotensile con entrambe le mani e mantenere sempre un appoggio e un equilibrio adeguati.** Con entrambe le mani l'elettrotensile viene condotto in modo più sicuro.

- **Fissare il pezzo in lavorazione.** Un pezzo bloccato con dispositivi di bloccaggio o in una morsa viene tenuto fermo più saldamente che con le mani.
- **Attendere sempre che la macchina si sia arrestata completamente prima di appoggiarla.** L'utensile accessorio può incepparsi e portare alla perdita di controllo dell'elettrotensile.

AVVERTENZE DI SICUREZZA PER LA BATTERIA

- a) **Non aprire la batteria.** Pericolo di cortocircuito.
- b) **Proteggere la batteria dal calore, ad esempio dalla luce solare intensa, dal fuoco, dall'acqua e dall'umidità.** Pericolo di esplosione.
- c) **In caso di danni e uso improprio della batteria, potrebbero essere emessi dei vapori. Ventilare l'area e rivolgersi a un medico in caso di malessere.** I vapori possono irritare il sistema respiratorio.
- d) **Utilizzare la batteria solo in combinazione con il prodotto Vonroc.** Questo accorgimento protegge la batteria da un sovraccarico pericoloso.
- e) **La batteria può essere danneggiata da oggetti appuntiti come chiodi o cacciaviti o da una forza applicata esternamente.** Si può verificare un cortocircuito interno e la batteria potrebbe bruciare, fumare, esplodere o surriscaldarsi.

AVVERTENZE DI SICUREZZA PER IL CARICABATTERIE

Uso previsto

Caricare solo pacchi batteria ricaricabili di tipo CD801AA e CD803AA con il caricabatterie. Batterie di tipi diversi potrebbero esplodere provocando lesioni personali e danni.

- a) **L'apparecchio non deve essere usato da persone con capacità fisiche, sensoriali o mentali ridotte (bambini inclusi) o che non hanno alcuna esperienza o conoscenza dell'apparecchio, a meno che non siano sorvegliate o siano state istruite sull'uso del prodotto.**
- b) **Accertarsi che i bambini non giochino con il caricabatterie.**
- c) **Non ricaricare batterie non ricaricabili!**
- d) **Durante la carica le batterie devono rimanere inserite nell'area adeguatamente ventilata!**

Sicurezza elettrica



Controllare sempre che la tensione di alimentazione corrisponda alla tensione indicata sulla targhetta delle caratteristiche.

- Non utilizzare l'elettrotensile quando il cavo o la spina di alimentazione sono danneggiati.
- Utilizzare esclusivamente cavi di prolunga idonei per la potenza nominale dell'elettrotensile, con conduttori di sezione minima di 1.5 mm². Quando si utilizza un cavo di prolunga con avvolgicavo, svolgere sempre completamente il cavo.

2. INFORMAZIONI RELATIVE ALL'ELETTROTENSILE

Uso previsto

Questa sega alternativa è concepita per tagliare legno, materiale plastico e metallo, appoggiando il piedino con decisione sul pezzo in lavorazione. Esso è adatta per eseguire tagli curvi e tagli dritti. Inoltre è possibile eseguire tagli a filo della superficie del pezzo in lavorazione. Usare sempre una lama idonea.

DATI TECNICI



Il presente manuale è stato predisposto per diversi assortimenti / codici articolo. Verificare il codice articolo corrispondente nella tabella di specificazione sottostante per la composizione e i contenuti corretti per il proprio assortimento.

Numero modello	Batterie incluse	Caricabatterie incluso
RS501DC	-	-
S_RS501DC	CD801AA	CD802AA
S2_RS501DC	2 x CD801AA	CD802AA
S3_RS501DC	CD803AA	CD802AA
S4_RS501DC	CD801AA	CD802AA

Informazioni sul prodotto	
Tensione di corrente	20V
Velocità in assenza di carico	0-2800/min
Corsa della sega	22mm
Max. capacità di segatura legno	100mm
Max. capacità di segatura acciaio	10mm
Peso	1,57 kg
LpA (Livello pressione sonora)	82,2 dB(A), K=3dB(A)

LwA (Livello di potenza sonora)	93,2 dB(A), K=3dB(A)
Vibrazioni 'Segare le travi di legno'	16,844 m/s ² K=1,5 m/s ²
Vibrazioni 'Segare compensato'	18,067 m/s ² K=1,5 m/s ²

Modello n.°	CD801AA
Tipo di batteria	Ioni di litio
Tensione	20V
Capacità	2,0 Ah
Caricabatterie consigliato	CD802AA
Peso	0,3 kg

Modello n.°	CD802AA
Ingresso del caricabatterie	220-240V, 50Hz 0,4A
Uscita del caricabatterie	21V 2,5A
Tempo di ricarica batteria 2Ah	60 minuti
Tempo di ricarica batteria 4Ah	120 minuti
Batterie consigliate	CD801AA, CD803AA
Peso	0,36 kg

Modello n.°	CD803AA
Tipo di batteria	Ioni di litio
Tensione	20V
Capacità	4,0,Ah
Caricabatterie consigliato	CD802AA
Peso	0,65 kg

Utilizzare esclusivamente le batterie seguenti della piattaforma di batterie da 20V VONROC VPOWER. L'uso di batterie diverse potrebbe causare gravi lesioni personali o danni all'elettrotensile. Batteria agli ioni di litio da 20V, 2Ah, CD801AA
Batteria agli ioni di litio da 20V 4Ah, CD803AA

Il caricabatterie seguente può essere usato per caricare queste batterie.
Caricabatterie rapido CD802AA

Le batterie della piattaforma di batterie da 20V VONROC VPOWER sono intercambiabili con tutti gli elettrotensili con batterie della piattaforma da 20V VONROC VPOWER.

Livello delle vibrazioni

Il livello di emissione delle vibrazioni indicato sul retro di questo manuale di istruzioni è stato misurato in conformità a un test standardizzato stabilito dalla norma EN 62841 questo valore può essere utilizzato per mettere a confronto un l'utensile con un altro o come valutazione preliminare di esposizione alla vibrazione quando si impiega l'utensile per le applicazioni menzionate.

- se si utilizza l'utensile per applicazioni diverse, oppure con accessori differenti o in scarse condizioni, il livello di esposizione potrebbe aumentare notevolmente.
- i momenti in cui l'utensile è spento oppure è in funzione ma non viene effettivamente utilizzato per il lavoro, possono contribuire a ridurre il livello di esposizione.

Proteggersi dagli effetti della vibrazione effettuando la manutenzione dell'utensile e dei relativi accessori, mantenendo le mani calde e organizzando i metodi di lavoro.

DESCRIZIONE

I numeri che compaiono nel testo si riferiscono agli schemi riportati alle pagine 2-4.

1. Pulsante di sicurezza
2. Interruttore di accensione/spengimento
3. Impugnatura
4. Batteria
5. Pulsante di sblocco batteria
6. Impugnatura ausiliaria
7. Piedino
8. Mandrino
9. Leva di bloccaggio lama
10. Chiave a brugola
11. Bulloni di fissaggio del piedino
12. Luce da lavoro
13. Pulsante per spie a LED batteria
14. Spie a LED batteria
15. Caricabatterie
16. Indicatori a LED caricabatterie

3. MONTAGGIO



Prima di compiere qualsiasi intervento sull'elettroutensile rimuovere la batteria.



Prima del primo utilizzo la batteria deve essere caricata.

Inserimento della batteria nell'elettroutensile (Fig. A, F)



Assicurarsi che la batteria sia pulita esternamente prima di collegarla al caricabatterie o all'elettroutensile.

1. Inserire la batteria (4) nella base dell'elettroutensile, come illustrato nella Figura F.
2. Spingere in avanti la batteria finché scatta in posizione con un clic.

Rimozione della batteria dall'elettroutensile (Fig. A, F)

1. Premere i pulsanti di sblocco della batteria (5).
2. Estrarre la batteria dall'elettroutensile, come illustrato nella Fig. F.

Verifica dello stato di carica della batteria (Fig. G)

- Per verificare lo stato di carica della batteria, premere brevemente il pulsante (13) sulla batteria.
- La batteria presenta 3 spie che indicano il livello di carica: più spie sono accese più la batteria è carica.
- Se le spie non sono illuminate di rosso, significa che la batteria è completamente scarica e deve essere ricaricata immediatamente.

Carica della batteria con il caricabatterie (Fig. G)

1. Rimuovere la batteria (4) dalla macchina.
2. Capovolgere la batteria (4) e inserirla nel caricabatterie (15), come illustrato nella Fig. G.
3. Spingere la batteria finché si incastra nell'apposito alloggiamento.
4. Collegare la spina del caricabatterie a una presa elettrica e attendere un momento. Gli indicatori a LED sul caricabatterie (16) si illuminano e mostrano lo stato di carica della batteria.

Sul caricabatterie sono presenti 2 indicatori a LED (16) che mostrano lo stato del processo di carica:

Stato LED rosso	Stato LED verde	Stato del carica-batterie
Spento	Spento	Nessuna alimentazione
Spento	Acceso stabile	Modalità standby: - Nessuna batteria inserita oppure, - Batteria inserita ma la ricarica è terminata
Acceso stabile	Spento	Carica della batteria in corso

- Per caricare completamente la batteria da 2Ah possono essere necessari fino a 60 minuti.
- Per caricare completamente la batteria da 4Ah possono essere necessari fino a 120 minuti.

Una volta caricata la batteria, rimuovere la spina del caricabatterie dalla presa di corrente e rimuovere la batteria dal caricabatterie.



Se si prevede che la macchina non verrà usata per molto tempo si consiglia di conservare le batterie cariche.

Sostituzione della lama (Fig. A e C)



Per installare la lama indossare guanti di protezione. Pericolo di lesioni personali in caso di contatto con la lama della sega.



Utilizzare esclusivamente lame che corrispondano alle caratteristiche riportate nelle istruzioni per l'uso.

Installazione della lama



Assicurarsi che il portalama sia libero da residui di materiale (come schegge di legno o di metallo).

1. Ruotare la leva di bloccaggio lama (9) il più possibile verso sinistra e mantenerla in quella posizione.
2. Inserire la lama nel mandrino (8). Verificare che la lama sia fissata saldamente e che i denti siano rivolti verso il basso.
3. Lasciare la leva di bloccaggio lama. Controllare che la lama sia bloccata in posizione.

Assicurarsi di utilizzare la lama idonea per il materiale da tagliare. In dotazione con la sega viene fornita una lama da legno per tagli grossolani e una lama da metalli e materiali plastici per tagli fini.

Rimozione della lama

1. Ruotare la leva di bloccaggio lama (9) il più possibile verso sinistra e mantenerla in quella posizione.
2. Rimuovere la lama dal mandrino (8).
3. Lasciare la leva di bloccaggio lama.

4. FUNZIONAMENTO

Accensione e spegnimento dell'elettroutensile (Fig. A)

- Per accendere l'elettroutensile tenere premuto il pulsante di sicurezza (1), quindi premere l'interruttore di accensione/spegnimento (2).
- L'ulteriore pressione dell'interruttore di accensione/spegnimento (2) provocherà un'accelerazione del movimento della lama. La velocità richiesta dipende dal materiale e può essere stabilita con una prova pratica.
- Per arrestare l'elettroutensile rilasciare l'interruttore di accensione/spegnimento (2).

Regolazione del piedino (Fig. B)

Essendo il piedino (2) mobile, la sua angolazione si adatta al pezzo in lavorazione. Inoltre la lunghezza del piedino può essere regolata in base alla profondità di taglio richiesta.

1. Allentare i bulloni di fissaggio del piedino (11) con la chiave a brugola (10) in dotazione.
2. Regolare il piedino (2).
3. Stringere i bulloni di fissaggio del piedino (11) con la chiave a brugola (10) in dotazione. La chiave a brugola può essere conservata sulla macchina, come illustrato nella Fig. B.

Taglio a tuffo (Fig. D)

Il taglio a tuffo può essere utilizzato solo su materiali morbidi come legno, calcestruzzo aerato, cartoni in pietra da gesso, ecc. Tuttavia, questo richiede un certo esercizio ed è possibile solamente con lame di sega corte.

1. Posizionare la sega sul pezzo da lavorare e accenderla.

2. Assicurarsi che l'estremità inferiore della piastra di base sia appoggiata sulla superficie del pezzo da lavorare come indicato.
3. Segare lentamente il pezzo da lavorare ad un'angolazione, spostando la sega in posizione verticale e continuando a segare lungo la linea di taglio.
4. Spegnerla la sega e sollevare il pezzo da lavorare quando il lavoro è completato.

Segatura a filo (Fig. E)

Le lame di sega elastiche bimetalliche consentono la segatura di oggetti sporgenti (es. tubi dell'acqua, barre di ferro, ecc) vicino a una parete.

1. Applicare la lama della sega direttamente alla parete e piegarla leggermente in modo che la piastra di base rimanga appoggiata contro la parete.
2. Accendere la macchina e segare il pezzo da lavorare mantenendo una pressione laterale costante contro la parete.

Consigli per le operazioni di segatura

- Regolare la lama della sega e velocità della corsa adatte al materiale da lavorare. Per le curve a raggio perpendicolare è meglio utilizzare una lama della sega stretta. Applicare refrigerante o lubrificante per gestire il tremito prodotto lungo la linea di taglio quando si sega il metallo.
- Controllare la presenza di corpi estranei (chiodi, viti, ecc) su legno, tavole, materiali da costruzione, ecc, prima della segatura e rimuoverli, se necessario.
- Fissare bene il materiale. Non sostenere il pezzo da lavorare con le mani o i piedi. Non sfiorare oggetti o il pavimento con la sega in funzione (pericolo di rinculo).
- Posizionare la piastra di base sulla superficie del pezzo da lavorare e segare con una pressione di contatto o alimentazione costante. Se la lama della sega si blocca, spegnere immediatamente la macchina. Allargare la distanza con un utensile adatto ed estrarre la lama della sega.
- Dopo aver finito il lavoro, spegnere la macchina e posarla solo quando si è fermata completamente.

5. MANUTENZIONE



Prima di eseguire qualsiasi operazione di pulizia e intervento di manutenzione spegnere sempre l'elettrotensile e rimuovere la batteria dall'elettrotensile.

Pulire regolarmente il corpo dell'apparecchio con un panno morbido, preferibilmente dopo ogni utilizzo. Mantenere sgombre da polvere e sporcizia le fessure di ventilazione. Rimuovere lo sporco ostinato con un panno morbido, inumidito con acqua insaponata. Non utilizzare solventi, quali benzina, alcool, ammoniaca, ecc. Tali sostanze danneggiano i componenti in materiale plastico.

AMBIENTE



Le apparecchiature elettriche o elettroniche difettose e/o scartate devono essere raccolte presso gli opportuni siti di riciclaggio.

Solo per i Paesi CE

Non smaltire gli elettrotensili insieme ai rifiuti domestici. Secondo la Direttiva europea 2012/19/EC sui rifiuti delle apparecchiature elettriche ed elettroniche e relativa implementazione nelle normative locali, gli elettrotensili ormai inutilizzabili devono essere raccolti separatamente e smaltiti in modo ecologico.

DEFINIZIONI DELLA GARANZIA

I prodotti VONROC sono sviluppati secondo i più elevati standard di qualità e viene garantita l'assenza di difetti nei materiali e nella manodopera per il periodo contrattuale a partire dalla data di acquisto originale. Qualora il prodotto dovesse subire un guasto qualsiasi durante questo periodo a causa di difetti nei materiali e/o nella manodopera, si prega di contattare direttamente il VONROC.

Le seguenti circostanze sono escluse da questa garanzia:

- Riparazioni e/o modifiche alla macchina sono state eseguite o tentate da centri di assistenza non autorizzati.
- Normale usura.
- L'utensile è stato abusato, utilizzato o mantenuto in modo improprio.
- Sono state utilizzate parti di ricambio non originali

Ciò costituisce l'unica garanzia espressa o implicita fornita dall'azienda. Non esistono altre garanzie esprese o implicite che si estendono oltre il presente documento, ivi comprese le garanzie implicite di commerciabilità e idoneità per uno scopo particolare. In nessun caso VONROC sarà responsabile di

eventuali danni incidentali o consequenziali. I rimedi dei rivenditori saranno limitati alla riparazione o sostituzione di unità o parti non conformi.

Il prodotto e il manuale per l'utente sono soggetti a modifiche. I dati tecnici possono essere modificati senza ulteriore notifica.

1. SÄKERHETSANVISNINGAR

Läs de medföljande säkerhetsvarningarna, de kompletterande säkerhetsvarningarna och anvisningarna. Underlåtenhet att följa säkerhetsvarningarna och anvisningarna kan orsaka elstöt, brand och/eller allvarlig skada. Spara säkerhetsvarningarna och anvisningarna som framtida referensmaterial.

Följande symboler används i användarhandboken eller på produkten:



Läs användarhandboken.



Anger risk för personskada, dödsfall eller skada på verktyget om anvisningarna i denna handbok inte följs.



Håll åskådare, särskilt barn och husdjur på ett avstånd mer än 10 meter.



Använd skyddsglasögon.



Använd hörselskydd.



Använd en dammask.



Riskområde! Håll händerna långt borta (10 cm) från skärområdet när maskinen är igång. Risk för skador om man kommer i kontakt med sågklingan.



Använd endast inomhus.



Klass II-maskin - dubbelisolering - Du behöver ingen jordad kontakt.



Länk till tidsfördröjd miniatyrsäkring.



Maxtemperatur 45°C.



Kasta inte batteriet i elden.



Kasta inte batteriet i vatten.



Separat återvinning av litiumjonbatteriet.



Produkten uppfyller gällande säkerhetsnormer i EU-direktiven.

ALLMÄNNA SÄKERHETSFÖRESKRIFTER FÖR ELVERKTYG



VARNING! Läs alla säkerhetsvarningar och alla anvisningar. Underlåtenhet att följa varningar och instruktioner kan resultera i elstötar, brand och/eller allvarliga skador.

Spara alla varningar och instruktioner för framtida referens.

Uttrycket "elverktyg" i varningarna avser ditt nätanlutna (med sladd) verktyg eller batteridrivna (sladdlösa) elektriska verktyg.

1) Arbetsplatssäkerhet

- Håll arbetsplatsen ren och välbelyst.** Belamrade eller mörka områden inbjuder till olyckor.
- Använd inte elektriska verktyg i explosiva atmosfärer, såsom i närvaro av lättantändliga vätskor, gaser eller damm.** Elverktyg skapar gnistor som kan antända damm eller ångor.
- Håll barn och åskådare borta medan du arbetar med ett elverktyg.** Om du blir distraherad kan du tappa kontrollen.

2) Elsäkerhet

- Verktygets elkontakt måste passa till vägguttaget. Ändra inte kontakten på något sätt. Använd inte adapterkontakter med jordade elverktyg.** Omodifierade kontakter och matchande uttag minskar risken för elektrisk stöt.
- Undvik kroppskontakt med jordade ytor såsom rör, värmeelement, spisar och kylskåp.** Det finns en ökad risk för elektrisk stöt om din kropp är jordansluten eller jordad.
- Utsätt inte elektriska verktyg för regn eller väta.** Vatten som tränger in i ett elverktyg ökar risken för elstötar.
- Hantera inte elkabeln felaktigt. Använd aldrig sladden för att bära, dra eller koppla bort elverktyget från uttaget. Håll sladden borta från värme, olja, vassa kanter eller rörliga delar.** Skadade eller tilltrasslade sladdar ökar risken för elektrisk stöt.
- När du arbetar med ett elverktyg utomhus, använd en förlängningssladd som passar för utomhusanvändning.** Användning av en sladd som passar för utomhusanvändning minskar risken för elektrisk stöt.
- Om arbete med ett elverktyg i en fuktig lokal är oundvikligt, använd ett uttag som är skyddat**

med jordfelsbrytare. Användning av jordfelsbrytare minskar risken för elstötar.

3) Personlig säkerhet

- Var uppmärksam, kontrollera vad du gör och använd sunt förnuft när du arbetar med ett elektriskt verktyg.** Använd inte ett elverktyg när du är trött eller påverkad av droger, alkohol eller medicinering. Ett ögonblicks ouppmärksamhet under arbetet kan resultera i allvarliga personskador.
- Använd personlig skyddsutrustning. Bär alltid ögonskydd.** Skyddsutrustning såsom dammfilterskydd, halksäkra säkerhetsskor, skyddshjälm eller hörselskydd som används för lämpliga förhållanden minskar personskador.
- Förebygg oavsiktlig igångsättning. Se till att strömbrytaren är i avstängd position innan anslutning till strömkällan och/eller batteriet, verktyget lyfts upp eller bärs.** Om du bär elverktyg med ditt finger på strömbrytaren eller ansluter ett påkopplat elverktyg till nätströmmen kan en olycka inträffa.
- Avlägsna eventuell justeringsnyckel eller skiftnyckel innan du sätter på elverktyget.** En skiftnyckel eller en nyckel som sitter kvar på en roterande del av elverktyget kan resultera i personskada.
- Böj dig inte för långt. Bibehåll alltid ordentligt fotfäste och balans.** Detta möjliggör bättre kontroll av elverktyget i oväntade situationer.
- Bär lämpliga kläder. Använd inte vida kläder eller smycken. Håll hår, kläder och handskar borta från rörliga delar.** Lösa kläder, smycken eller långt hår kan fastna i rörliga delar.
- Om enheten är försedd med anslutning av dammsug och uppsamlingsmöjlighet, se till att dessa är anslutna och används korrekt.** Dammupptagning minskar dammrelaterade risker.
- Låt inte erfarenheten som uppnås vid frekvent användning av verktyg låta dig bli för självsäker och ignorera verktygsäkerhetsprinciperna.** En oförsiktig handling kan orsaka allvarliga skador under bråkdelen av en sekund.

4) Användning och skötsel av elverktyg

- Bruka inte våld när du använder elverktyget. Använd rätt slags elektriska verktyg för ditt arbete.** Det korrekta elverktyget gör arbetet bättre och säkrare vid den hastighet för vilket det konstruerades.

- b) **Använd inte elverktyget om strömbrytaren inte sätter på och stänger av det.** Ett elverktyg som inte kan kontrolleras med strömbrytaren är farligt och måste repareras.
- c) **Dra ur kontakten från strömkällan och/eller batteriet från elverktyget innan du gör några justeringar, byter tillbehör eller lägger undan elverktygen för förvaring.** Sådana förebyggande säkerhetsåtgärder minskar risken för att elverktyget startar oavsiktligt.
- d) **Förvara elverktyg oåtkomliga för barn och låt inte personer som är obekanta med verktyget eller dessa instruktioner använda verktyget.** Elektriska verktyg är farliga i händerna på oerfarna användare.
- e) **Underhåll av elektriska verktyg. Kontrollera för feljustering eller om delar och andra eventuella förhållanden som kan komma att påverka elverktygets funktion. Om det är skadat, se till att elverktyget blir reparerat före användning.** Många olyckor orsakas av dåligt underhållna elektriska verktyg.
- f) **Håll kapverktyg vassa och rena.** Korrekt underhållna kapverktyg med vassa kanter är mindre troliga att kärva och lättare att kontrollera.
- g) **Använd elverktyget, dess tillbehör och verktyg i enlighet med dessa instruktioner och under beaktande av arbetsförhållandena och det arbete som ska utföras.** Användning av elverktyget för andra uppgifter än vad som avsetts kan resultera i farliga situationer.
- h) **Se till att handtagen är torra, rena och fria från olja och fett.** Håll handtag och greppytor tillåter inte säker hantering och kontroll av verktyget i oväntade situationer.
- 5) Användning och skötsel av batteridrivna verktyg**
- a) **Ladda endast med den laddare som är specificerad av tillverkaren.** En laddare som passar till en typ av batteri kan ge upphov till brandfara när den används tillsammans med ett annat batteri.
- b) **Använd elverktygen enbart med det därtill avsedda batteriet.** Användning av andra batteri kan skapa en risk för skada och brand.
- c) **När batteriet inte används, håll det borta från andra metallföremål, såsom gem, mynt, nycklar, spikar, skruvar eller andra små metallföremål som kan skapa en förbindelse från ena polen till**

- den andra.** Kortslutning av batteriets terminaler kan leda till brännskada eller brand.
- d) **Vid felaktig hantering kan vätska komma ut från batteriet, undvik kontakt med denna. Spola med vatten vid oavsiktlig kontakt. Sök läkarhjälp om vätskan kommer i kontakt med ögon.** Vätska som kommer ut från batteriet kan orsaka irritation eller brännskada.
- e) **Använd inte batterier eller verktyg som är skadade eller modifierade.** Skadade eller modifierade batterier kan uppvisa oförutsägbart beteende som kan leda till brand, explosion eller risk för skada.
- f) **Utsätt inte batteri eller verktyg för eld eller överdriven temperatur.** Exponering för brand eller temperatur över 130 °C kan orsaka explosion. OBS! Temperaturen "130 °C" kan ersättas med temperaturen "265 °F".
- g) **Följ alla laddningsanvisningar och ladda inte batteriet eller verktyget utanför det temperaturområde som anges i instruktionerna.** Om du laddar batteriet felaktigt eller vid temperaturer utanför det angivna området kan det skada batteriet och öka risken för brand.

6) Service

- a) **Se till att ditt elverktyg får service av en kvalificerad reparatör, som endast använder identiska ersättningsdelar.** Detta säkerställer att elverktygets säkerhet upprätthålls.
- b) **Utför aldrig service på skadade batterier.** Service av batteri ska endast utföras av tillverkaren eller auktoriserade serviceleverantörer.

SÄKERHETSVARNINGAR FÖR PENDELSÅGAR

- **Håll elverktyget i de isolerade greppytorna när du utför arbete där kaptillbehör kan komma i kontakt med dolda ledningar.** Kaptillbehör som kommer i kontakt med en strömförande ledning kan göra att exponerade metalldelar hos elverktyget blir strömförande och kan ge användaren en elstöt.
- **Håll händerna borta från sågområdet. Sträck dig inte in under arbetsstycket.** Kontakt med sågbladet kan leda till personskador.
- **Applicera maskinen på arbetsstycket endast när den är påslagen.** Annars finns det risk för kast när kapverktyget fastnar i arbetsstycket.
- **Vid sågning måste bottenplattan alltid vara vänd mot arbetsstycket.** Sågbladet kan fastna och leda till förlust av kontroll över maskinen.

- När kapningen är klar, stäng av maskinen och dra sedan sågklingan ur snittet först när den har stannat. På det här sättet kan du undvika kast och placera maskinen säkert.
- Använd endast oskadade sågblad som är i perfekt skick. Böjda eller slöa sågblad kan gå sönder, påverka snittet negativt eller leda till kast.
- Bromsa inte sågklingan genom att applicera sidotryck efter avstängning. Sågbladet kan skadas, gå sönder eller orsaka kast.
- Använd klämmor eller något annat praktiskt sätt att stödja arbetsstycket vid ett stabilt underlag. Att hålla arbetsstycket för hand eller mot kroppen är instabilt och kan göra att du förlorar kontrollen.
- Använd lämpliga detektorer för att avgöra om det finns dolda ledningar inom arbetsområdet eller ring lokalt elbolag för hjälp. Kontakt med elektriska ledningar kan leda till brand och elektrisk stöt. Skador på en gasledning kan leda till explosion. Penetrering av en vattenledning kan orsaka egendomsskador.
- Håll alltid i maskinen stadigt med båda händerna och se till att du intar en säker ställning när du arbetar med den. Elverktyget hanteras säkrare med båda händerna.
- Säkra arbetsstycket. Ett arbetsstycke som klämts fast med klämmor eller i ett skruvstöd hålls säkrare än det görs för hand.
- Vänta alltid till maskinen stannat helt innan den läggs ned. Verktygets insats kan fastna och leda till att kontrollen förloras över verktyget.

SÄKERHETSVARNINGAR FÖR BATTERI

- a) **Öppna inte batteriet.** Risk för kortslutning.
- b) **Skydda batteriet mot hetta, t.ex. mot kontinuerlig intensiv solstrålning, brand, vatten och fukt.** Risk för explosion.
- c) **Vid skada och felaktig användning av batteriet kan ångor läcka ut. Ventilera området och sök medicinsk hjälp vid besvär.** Ångorna kan irritera andningssystemet.
- d) **Använd endast batteriet i kombination med din Vonroc-produkt.** Denna åtgärd ensamt skyddar batteriet mot farlig överbelastning.
- e) **Batteriet kan skadas av vassa föremål såsom spikar eller skruvmejslar eller externa krafter.** En intern kortslutning kan uppstå och batteriet kan brinna, avge rök, explodera eller överhettas.

SÄKERHETSVARNINGAR FÖR LADDARE

Avsedd användning

Ladda endast uppladdningsbara batterier av typen CD801AA och CD803AA med laddaren. Andra typer av batterier kan explodera och orsaka personskada och skada.

- a) **Apparaten får inte användas av personer (inklusive barn) med nedsatt fysisk eller mental förmåga eller brist på erfarenhet och kunskap, såvida de inte övervakas eller instrueras.**
- b) **Barn ska övervakas så att de inte leker med apparaten.**
- c) **Ladda inte batterier som inte är uppladdningsbara!**
- d) **Batterierna måste placeras i ett väl ventilerat område under laddning!**

Elsäkerhet



Kontrollera alltid så att spänningen på nätet motsvarar den spänning som finns angiven på märkplåten.

- Använd inte maskinen om nätkabeln eller nätkontakten är skadad.
- Använd endast förlängningskablar som är lämpliga för maskinens effekt med en minsta tjocklek på 1,5 mm². Om du använder en kabelvinda, rulla alltid ut kabeln helt.

2. MASKININFORMATION

Avsedd användning


Maskinen är avsedd för sågning av trä, plast och metall samtidigt som basplattan ligger stadigt på arbetsstycket. Den är lämplig för raka och böjda snitt. Det är också möjligt att såga i linje med arbetsstyckets yta. Ett lämpligt sågblad måste alltid användas.


TEKNISKA SPECIFIKATIONER





Denna handbok har tagits fram för olika uppsättningar / artikelnummer. Kontrollera motsvarande artikelnummer i specifikationstabellen nedan för korrekt sammansättning och innehåll i din uppsättning.

Modell-nr	Batterier ingår	Laddare ingår
RS501DC	-	-
S_RS501DC	CD801AA	CD802AA
S2_RS501DC	2 x CD801AA	CD802AA
S3_RS501DC	CD803AA	CD802AA
S4_RS501DC	CD801AA	CD802AA

Maskininformation	
Nominell spänning	20 V 
Varvtal utan belastning	0-2800/min
Sågs slag	22 mm
Max. sågkapacitet trä	100 mm
Max. sågkapacitet stål	10 mm
Vikt	1,57 kg
Ljudtrycknivå L_{PA}	82,2 dB(A), K=3dB(A)
Ljudeffektnivå L_{WA}	93,2 dB(A), K=3dB(A)
Vibration 'sawing wooden beam'	16,844 m/s ² K=1,5 m/s ²
Vibration vid sågning av plywood	18,067 m/s ² K=1,5 m/s ²

Modell-nr	CD801AA
Batterityp	Litiumjonteknik
Spänning	20 V 
Kapacitet	2,0 Ah
Rekommenderad laddare	CD802AA
Vikt	0,3 kg

Modell-nr	CD802AA
Laddare in	220-240V, 50Hz 0,4A
Laddare ut	21V  2,5A
Laddningstid 2 Ah batteri	60 minuter
Laddningstid 4 Ah batteri	120 minuter
Rekommenderade batterier	CD801AA, CD803AA
Vikt	0,36 kg

Modell-nr	CD803AA
Batterityp	Litiumjonteknik
Spänning	20 V 
Kapacitet	4,0 Ah
Rekommenderad laddare	CD802AA
Vikt	0,65 kg

Använd endast följande batterier från VONROC VPOWER 20V batteriplattform. Användning av andra batterier kan orsaka allvarliga skador eller skador på verktyget.

CD801AA 20V, 2Ah litiumjon
 CD803AA 20V, 4Ah litiumjon

Följande laddare kan användas för att ladda dessa batterier.

CD802AA snabbaddare

Batterierna från VONROC VPOWER 20V batteriplattform är utbytbara mellan alla VONROC VPOWER 20V batteriplattformens verktyg.

Vibrationsnivå

Vibrationsutsläppsnivån som anges i denna bruksanvisning har uppmätts i enlighet med ett standardiserat test i EN 62841, som kan användas för att jämföra verktyg med varandra och som en preliminär bedömning av exponering för vibrationer när du använder verktyget för angivna arbeten.

- Användning av verktyget för andra tillämpningar, eller med olika eller dåligt underhållna tillbehör kan avsevärt öka exponeringsnivån.
- De gånger då verktyget stängs av eller är på men egentligen inte används kan minska exponeringsnivån betydligt.

Skydda dig mot effekterna av vibrationer genom att underhålla verktyget och dess tillbehör, hålla händerna varma och organisera ditt arbetsmönster.

BESKRIVNING

Siffrorna i texten hänvisar till diagrammen på sidorna 2-4.

1. Låsknapp
2. Strömbrytare
3. Handtag
4. Batteri
5. Upplåsningsknapp för batteriet

6. Extrahandtag
7. Basplatta
8. Chuck
9. Klämspak
10. Insexnyckel
11. Bultar basplatta
12. Arbetsbelysning
13. Knapp för batteri-LED-indikatorer
14. Batteri-LED-indikatorer
15. Laddare
16. LED-laddningsindikering

3. MONTERING



Ta bort batteriet innan du utför något arbete på elverktyget.



Batteriet måste laddas innan det används för första gången.

Insättning av batteriet i maskinen (fig. A, F)



Se till att batteriets utsida är ren och torr innan du ansluter det till laddaren eller maskinen.

1. Sätt in batteriet (4) i maskinens bas enligt fig. F.
2. Skjut batteriet framåt tills det klickar på plats.

Borttagning av batteriet från maskinen (fig. A, F)

1. Tryck på batterilåsningknappen (5)
2. Dra ut batteriet ur maskinen enligt fig. F.

Kontroll av batteriets laddningsstatus (fig. G)

- Tryck kort på knappen (13) på batteriet för att kontrollera batteriets laddningsstatus.
- Batteriet har 3 lampor som indikerar laddningsnivån. Ju fler lampor som lyser, desto mer är batteriet laddat.
- När lamporna inte lyser betyder det att batteriet är tomt och måste laddas omedelbart.

Laddning av batteriet med laddaren (fig. G)

1. Ta ut batteriet (4) från maskinen.
2. Vänd batteriet (4) upp och ner och tryck in det i laddaren (15) enligt fig. G.
3. Tryck in batteriet tills det kommer in i luckan helt.
4. Koppla in laddarens kontakt i ett eluttag och vänta en stund. Laddarens LED-indikering (16) kommer att lysa och visa laddningsstatusen.

Laddaren har två laddningsindikeringslampa (16) som indikerar laddningsprocessens status:

Röd LED-status	Grön LED-status	Laddningsstatus
Av	Av	Ingen ström
Av	På	Standbyläge: - Inget batteri insatt eller - Batteriet är isatt men laddningen är klar
På	Av	Batteriladdning pågår

- Det kan ta upp till 60 minuter att fulladda 2 Ah-batteriet.
- Det kan ta upp till 120 minuter att fulladda 4 Ah-batteriet.

Ta ut laddningskontakten från uttaget och ta ut batteriet från laddaren när batteriet har fulladdats.



När maskinen inte används under längre tid är det bäst att lagra batteriet i laddat tillstånd.

Byte av sågblad (fig. A, C)



När du monterar sågbladet, använd skyddshandskar. Risk för skador om man kommer i kontakt med sågbladet.



Använd endast sågblad som motsvarar de karakteristiska data som anges i bruksanvisningen.

Montering av sågklinga



Se till att bladhållaren är fri från materialrester (t.ex. spån av trä eller metall).

1. Vrid klämspaken (9) så långt till vänster som möjligt och håll den i detta läge.
2. För in sågklingan i chucken (8). Kontrollera att sågklingan sitter ordentligt och att tänderna pekar nedåt.
3. Släpp klämspaken. Kontrollera om sågklingan är låst på plats.

Se till att använda rätt sågklinga för motsvarande material. Med maskinen medföljer en grov sågklinga för trä och en fin sågklinga för metall och plast.

Borttagning av sågklinga

1. Vrid klämspaken (9) så långt till vänster som möjligt och håll den i detta läge.
2. Ta ur sågklingan från chucken (8).
3. Släpp klämspaken.

4. HANTERING**Igångsättning och avstängning av maskinen (fig. A)**

Växelbrytaren (2) används för aktivering av maskinen och justering av hastigheten.

- För att starta maskinen, håll in låsknappen (1) och tryck på strömbrytaren (2).
- Ju längre strömbrytaren (2) trycks in, desto snabbare rör sig bladet. Den hastighet som krävs beror på materialet och kan avgöras genom praktiskt test.
- Släpp strömbrytaren (2) för att stoppa maskinen.

Inställning av basplattan (fig. B)

På grund av dess rörlighet anpassar sig basplattans (7) vinkel till arbetsstycket. Dessutom kan basplattans längd justeras beroende på önskat sågdjup.

1. Lossa basplattans bultar (11) med den medföljande insexnyckeln (10).
2. Justera basplattan (7).
3. Dra åt basplattans bultar (11) med den medföljande insexnyckeln (10). Det är möjligt att förvara insexnyckeln på maskinen, som visas på fig. B.

Instickssågning (fig. D)

Instickssågning får endast användas på mjuka material som trä, luftbetong, gipsskivor etc. Detta kräver dock en viss övning och är endast möjlig med korta sågblad.

1. Placera sågen på arbetsstycket och slå på den.
2. Se till att fotplattans nedre kant vilar på arbetsstyckets yta enligt bilden.
3. Såga långsamt in i arbetsstycket i en vinkel, flytta sågen till ett vertikalt läge och fortsätt såga längs skärlinjen.
4. Stäng av sågen och lyft av arbetsstycket när arbetet är klart.

Plansågning (fig. E)

Elastiska tvåmetallsågblad gör att du kan såga utskjutande föremål (såsom vattenledningar, järnstänger osv.) i närheten av väggen.

1. Applicera sågklingan direkt på väggen och böj något så att fotplattan vilar mot väggen. Var uppmärksam på att sågklingan alltid sträcker sig bortom diametern på det material som bearbetas.
2. Slå på maskinen och såga av arbetsstycket med konstant sidotryck mot väggen.

Optimal användning

- Justera sågbladet och slaghastigheten för att passa materialet som ska bearbetas. För korrekta radiekurvor är det bäst att använda ett smalt sågblad. Applicera kylvätska eller smörjmedel för att hantera fladder längs skärlinjen vid sågning av metall.
- Kontrollera trä, spånskivor, byggmaterial etc. för hårda material (spik, skruvar etc.), innan du sågar och ta bort dem vid behov.
- Kläm fast materialet väl. Stöd inte arbetsstycket med handen eller foten. Rör inte vid föremål eller golvet när sågen är igång (risk för kast).
- Sätt fotplattan på arbetsstyckets yta och såga igenom den med konstant kontaktryck eller matning. Stäng av maskinen omedelbart om sågklingan fastnar. Utöka gapet med ett lämpligt verktyg och dra ut sågbladet.
- Efter avslutat arbete, stäng av maskinen och lägg ner den först när den har stannat helt.

5. UNDERHÅLL

Stäng alltid av maskinen och ta ut batteriet från maskinen innan rengöring och underhåll.

Rengör maskinen hus regelbundet med en mjuk trasa, helst efter varje gång du använder maskinen. Se till att ventilationsöppningarna är fria från damm och smuts. Ta bort mycket ihållande smuts med en mjuk trasa fuktad med tvålösning. Använd inte lösningsmedel som bensen, alkohol, ammoniak osv. Sådana kemikalier skadar de syntetiska komponenterna.

MILJÖ

Felaktig och/eller kasserad elektrisk eller elektronisk utrustning måste lämnas in på lämpliga återvinningsstationer.

Endast för EU-länder

Kassera inte elverktyg i hushållsavfall. Enligt den europeiska riktlinjen 2012/19/EG om kasserad elektrisk och elektronisk utrustning och dess tillämpning i nationell rätt måste elverktyg som inte längre är användbara samlas in separat och kasseras på ett miljövänligt sätt.

GARANTI

VONROC-produkter är utvecklade enligt högsta kvalitetsstandard och garanteras fria från defekter i både material och utförande under den period som lagen föreskriver från och med inköpsdatumet. Om produkten skulle utveckla fel under denna period på grund av defekt material och/eller utförande, kontakta då VONROC direkt.

Följande omständigheter är undantagna från denna garanti:

- Reparationer och/eller ändringar har gjorts eller försökts utföras på maskinen av obehöriga servicecenter;
- Normalt slitage;
- Verktøget har missbrukats, använts på fel sätt eller underhållits felaktigt;
- Reservdelar som inte är original har använts.

Detta utgör den enda garantin som företaget ger antingen uttryckt eller underförstått. Det finns inga andra garantier uttryckta eller underförstådda som sträcker sig bortom detta, inklusive de underförstådda garantierna för säljbarhet och lämplighet för ett visst syfte. Under inga omständigheter ska VONROC hållas ansvarigt för indirekta skador eller följdskador. Återförsäljarnas åtgärder ska begränsas till reparation eller byte av enheter eller delar som inte uppfyller kraven.

Produkten och användarhandboken kan ändras. Specifikationerna kan ändras utan förvarning.

1. SIKKERHEDSANVISNINGER

Læs de vedlagte sikkerhedsadvarsler, de yderligere sikkerhedsadvarsler og vejledningen. Hvis sikkerhedsadvarslerne og vejledningen ikke følges, kan det resultere i elektrisk stød, brand og/eller alvorlige personskader. Gem sikkerhedsadvarslerne og vejledningen til fremtidig brug.

Følgende symboler anvendes i brugervejledningen eller på produktet:



Læs brugervejledningen.



Angiver risiko for personskade, dødsfald eller beskadigelse af værktøjet i tilfælde af manglende overholdelse af anvisningerne i denne vejledning.



Hold tilskuere, især børn og kæledyr, på en afstand på mindst 10 m.



Bær beskyttelsesbriller.



Bær høreværn.



Bær en støvmaskebeskyttelse.



Fareområde! Hold hænderne langt væk (10 cm) fra skæreamrådet, mens maskinen kører. Fare for personskade, når man kommer i kontakt med savklingen.



Kun til indendørs brug.



Klasse II maskine - Dobbelt isolering - Du har ikke brug for et jordforbundet stik.



Tidsforskuet miniature sikringsindsats.



Maks. temperatur 45°C.



Kast ikke batteriet ind i åben ild.



Kast ikke batteriet ned i vand.



Separat aflevering af Li-ion batteri.

CE Produktet er i overensstemmelse med de gældende sikkerhedsstandarder i EU-direktiverne.

GENERELLE SIKKERHEDSADVARSLER FOR ELVÆRKTØJ



ADVARSEL! Læs alle sikkerhedsadvarsler og alle anvisninger. Hvis advarslerne og vejledningen ikke følges, kan det resultere i elektrisk stød, brand og/eller alvorlige personskader.

Gem alle advarsler og instruktioner til fremtidig brug.

Udtrykket "el-værktøj" i advarslerne refererer til dit el-værktøj (med ledning) eller dit batteridrevet (ledningsfri) el-værktøj.

1) Sikkerhed på arbejdsområdet

- a) **Hold arbejdsområdet rent og godt oplyst.** Der er risiko for ulykker på rodede eller mørke områder.
- b) **Brug ikke el-værktøj i eksplosive atmosfærer, f.eks. i nærheden af brandfarlige væsker, gasser eller støv.** El-værktøj danner gnister, der kan antænde støv eller dampe.
- c) **Hold børn og tilskuere væk, mens du bruger et el-værktøj.** Distractioner kan få dig til at miste kontrollen.

2) El-sikkerhed

- a) **Stik på el-værktøj skal passe til stikkontakten. Stikket må aldrig modificeres på nogen måde. Brug ikke adapterstik med jordforbundne (jordede) el-værktøj.** Umodificerede stik og tilsvarende stikkontakter reducerer risikoen for elektrisk stød.
- b) **Undgå kropskontakt med jordede overflader, såsom rør, radiatorer, områder og køleskabe.** Der er en øget risiko for elektrisk stød, hvis din krop er jordet.
- c) **El-værktøjer må ikke udsættes for regn eller våde omgivelser.** Vand, der trænger ind i et el-værktøj, vil øge risikoen for elektrisk stød.
- d) **Misbrug ikke ledningen. Brug ikke ledningen til at bære, trække eller frakoble el-værktøjet. Hold ledningen væk fra varme, olie, skarpe kanter eller dele i bevægelse.** Beskadigede eller sammenfildrede ledninger øger risikoen for elektrisk stød.

- e) **Når du betjener et el-værktøj udendørs, skal du bruge en forlængerledning, der er velegnet til udendørs brug.** Brug af en ledning, der er velegnet til udendørs brug, reducerer risikoen for elektrisk stød.
- f) **Hvis det ikke kan undgås at bruge et maskinværktøj i et fugtigt miljø, bør du anvende en forsyning, der er beskyttet af en fejlstrømsafbryder (RCD).** Brugen af en RCD reducerer risikoen for elektrisk stød.

3) Personlig sikkerhed

- a) **Vær opmærksom, se hvad du laver, og brug din sunde fornuft, når du bruger et el-værktøj. Brug ikke et el-værktøj, når du er træt eller påvirket af stoffer, alkohol eller medicin.** Et øjeblikks uopmærksomhed under brug af el-værktøj kan resultere i alvorlig personskade.
- b) **Brug personligt sikkerhedsudstyr. Bær altid øjenværn.** Beskyttelsesudstyr såsom støvmaske, skridsikre sikkerhedssko, hjelm eller høreværn, der bruges til passende forhold, reducerer personskader.
- c) **Undgå utilsigtet start. Sørg for, at kontakten er slukket, før du tilslutter strømkilden og/eller batteripakken, tager maskinen op eller bærer værktøjet.** Hvis el-værktøj bæres med fingeren på kontakten, eller når el-værktøj strømføres med tændt kontakt, kan der nemt ske ulykker.
- d) **Fjern en eventuel justeringsnøgle eller skrue-nøgle, inden du tænder for el-værktøjet.** En skrue-nøgle eller en justeringsnøgle, der er fastgjort til en roterende del af el-værktøjet, kan resultere i personskade.
- e) **Ræk dig ikke for langt. Hold altid et korrekt fodfæste og balancen.** Dette giver bedre kontrol over el-værktøjet i uventede situationer.
- f) **Klæd dig korrekt. Bær ikke løst tøj eller smykker. Hold dit hår, tøj og handsker væk fra bevægelige dele.** Løst tøj, smykker eller langt hår kan sætte sig fast i bevægelige dele.
- g) **Hvis der leveres enheder til tilslutning af støvudsugnings- og opsamlingsfaciliteter, skal du sikre, at disse er tilsluttet og bliver brugt korrekt.** Brug af støvopsamling kan reducere støvrelaterede farer.
- h) **Lad ikke kendskab opnået gennem hyppig brug af værktøj lade dig blive tilbagelænet og ignorere værktøjsikkerhedsprincipper.** En skødesløs handling kan forårsage alvorlig personskade inden for en brøkdal af et sekund.

4) Brug og pleje af el-værktøj

- a) **Tving ikke el-værktøjet. Brug det korrekte el-værktøj til din opgave.** Det korrekte el-værktøj vil gøre et bedre stykke arbejde og vil være mere sikkert ved den hastighed, det var beregnet til.
- b) **Brug ikke el-værktøjet, hvis kontakten ikke tænder og slukker.** Ethvert el-værktøj, der ikke kan styres med kontakten, er farligt og skal repareres.
- c) **Tag stikket ud af strømkilden og/eller fjern batteripakken fra el-værktøjet, før du foretager justeringer, skifter tilbehør eller opbevarer el-værktøj.** Disse forebyggende sikkerhedsforanstaltninger reducerer risikoen for at starte el-værktøjet ved et uheld.
- d) **Opbevar inaktivt el-værktøj uden for børns rækkevidde, og lad ikke personer, der ikke har kendskab til el-værktøjet eller disse instruktioner, betjene værktøjet.** El-værktøjer er farlige i hænderne på utrænede brugere.
- e) **Vedligehold el-værktøjer. Se efter forkert justering eller binding af bevægelige dele, ødelagte dele og enhver anden tilstand, der kan påvirke el-værktøjets drift. Hvis det er beskadiget, bør du få el-værktøjet repareret før brug.** Mange ulykker forårsages af dårligt vedligeholdt el-værktøj.
- f) **Hold skæreværktøj skarpt og rent.** Korrekt vedligeholdt skæreværktøjer med skarpe skærekanter har mindre tilbøjelighed til at binde og er lettere at styre.
- g) **Brug el-værktøj, tilbehør og værktøjsbor osv. i overensstemmelse med disse instruktioner under hensyntagen til arbejdsforholdene og det arbejde, der skal udføres.** Brug af el-værktøjet til andet arbejde end det tilsigtede kan resultere i en farlig situation.
- h) **Hold håndtag og gribeblader tørre, rene og fri fra olie og fedtstof.** Glatte håndtag og gribeblader giver ikke mulighed for sikker håndtering og kontrol af værktøjet i uventede situationer.

5) Brug og pleje af værktøjsbatteri

- a) **Brug kun den oplader, der er specificeret af producenten, til opladning.** En oplader, der er egnet til én type batteripakke, kan forårsage risiko for brand, når den anvendes med en anden batteripakke.

- b) **Brug kun el-værktøj med specifikt udformede batteripakker.** Brug af andre batteripakker kan resultere i risiko for personskader og brand.
 - c) **Når batteripakken ikke er i brug, skal den holdes væk fra andre metalgenstande, som f.eks. papirclips, mønter, nøgler, søm, skruer eller andre små metalgenstande, der kan skabe en forbindelse fra den ene terminal til den anden.** Hvis batteriterminalerne kortsluttes, kan det forårsage forbrændinger eller en brand.
 - d) **Ved forkert anvendelse kan der slippe væske ud af batteriet; undgå kontakt. Skyl med vand, hvis der skulle opstå kontakt ved et uheld. Søg derudover lægehjælp, hvis der kommer væske ind i øjnene.** Væske fra batteriet kan forårsage irritation eller forbrændinger.
 - e) **Brug ikke en batteripakke eller et værktøj, der er beskadiget eller modificeret.** Beskadede eller modificerede batterier kan udvise uforudsigelig adfærd, hvilket resulterer i brand, eksplosion eller risiko for personskade.
 - f) **Undlad at udsætte en batteripakke eller et værktøj for åben ild eller for høj temperatur.** Udsættelse for åben ild eller temperatur over 130 °C kan forårsage eksplosion. BEMÆRK Temperaturen „130 °C“ kan erstattes af temperaturen „265 °F“.
 - g) **Følg alle opladningsinstruktioner, og oplad ikke batteripakken eller værktøjet uden for temperaturintervallet specificeret i instruktionerne.** Forkert opladning eller opladning ved temperaturer uden for det specificerede interval kan beskadige batteriet og øge risikoen for brand.
- #### 6) Service
- a) **Lad dit el-værktøj blive servicert af en kvalificeret reparatør, der kun bruger identiske reservedele.** Dette sikrer, at maskinværktøjet fortsat er sikkert at bruge.
 - b) **Foretag aldrig service på beskadigede batteripakker.** Service af batteripakker bør kun udføres af producenten eller autoriserede serviceudbydere.

SIKKERHEDSADVARSLER FOR FREM- OG TILBAGEGÅENDE SAVE

- **Hold fast rundt om el-værktøjet på de isolerede gribeblader, når der bliver udført arbejde, hvor skæretilbehøret muligvis kan komme i kontakt med skjulte ledninger.** Hvis skæretilbehør kommer i kontakt med en strømførende ledning,

kan det forårsage at el-værktøjets eksponerede metaldele bliver strømførende og udsætter brugeren for elektrisk stød.

- **Hold hænderne væk fra saveområdet. Ræk ikke ind under arbejdsemnet.** Kontakt med savklingen kan føre til personskader.
- **Brug kun maskinen på arbejdsemnet, når den er tændt.** Ellers er der fare for tilbageslag, når skæreværktøjet sætter sig fast i arbejdsemnet.
- **Ved savning skal bundpladen altid vende mod arbejdsemnet.** Savklingen kan blive klemt og føre til tab af kontrol over maskinen.
- **Når skæringen er afsluttet, skal du slukke for maskinen og derefter trække savklingen ud af snittet, når den holder stille.** På denne måde kan du undgå tilbageslag og stille maskinen sikkert ned.
- **Brug kun ubeskadigede savklinger, der er i perfekt stand.** Bøjede eller stumpe savklinger kan gå i stykker, påvirke snittet negativt eller føre til tilbageslag.
- **Brems ikke savklingen ved at lægge pres på siden efter slukning.** Savklingen kan blive beskadiget, gå i stykker eller forårsage tilbageslag.
- **Brug klemmer eller en anden praktisk måde til at fastgøre og støtte arbejdsemnet på en stabil platform.** Hvis du holder arbejdsemnet i hånden eller mod din krop, bliver det ustabilt og kan føre til tab af kontrol.
- **Brug passende detektorer til at afgøre, om der er skjulte forsyningsledninger på arbejdsområdet, eller ring til den lokale forsyningsvirksomhed for hjælp.** Kontakt med elektriske ledninger kan føre til brand og elektrisk stød. Beskadigelse af en gasledning kan føre til eksplosion. Gennemtrængning af en vandledning forårsager ejendomsskade.
- **Når du arbejder med maskinen, skal du altid holde den fast med begge hænder og sørge for et sikkert fodfæste.** El-værktøjet styres mere sikkert med begge hænder.
- **Fastgør arbejdsemnet.** Et arbejdsemne fastgjort med fastspændingsenheder eller i en skruestik holdes mere sikkert end med hånden.
- **Vent altid, til maskinen er standset helt, inden du lægger den ned.** Værktøjsindsatsen kan sidde fast og føre til mistet kontrol over elværktøjet.

SIKKERHEDSADVARSLER FOR BATTERI

- a) **Åbn ikke batteriet.** Fare for kortslutning.

- b) **Beskyt batteriet mod varme, f.eks. mod kontinuerligt intenst sollys, brand, vand og fugt.** Fare for eksplosion.
- c) **I tilfælde af skade og forkert brug af batteriet, kan der blive udsendt dampe. Udluft området, og søg lægehjælp i tilfælde af klager.** Dampene kan irritere åndedrætssystemet.
- d) **Brug kun batteriet sammen med dit Vonroc-produkt.** Denne foranstaltning alene beskytter batteriet mod farlig overbelastning.
- e) **Batteriet kan blive beskadiget af spidse genstande såsom søm eller skruetrækkere eller af eksternt påført kraft.** Der kan opstå en intern kortslutning, og batteriet kan brænde, ryge, eksplodere eller bliver overophedet.

SIKKERHEDSADVARSLER FOR OPLADER

Tilsigtet brug

Oplad kun genopladelige batteripakker af type CD801AA og CD803AA med opladeren. Andre typer batterier kan sprænge og dermed forårsage personskader og beskadigelser.

- a) **Dette apparat er ikke beregnet til at blive anvendt af personer (herunder børn) med reducerede fysiske, sansemæssige eller mentale evner samt med manglende erfaring eller viden, med mindre de er under opsyn eller bliver instrueret.**
- b) **Børn skal være under opsyn, så de ikke leger med apparatet.**
- c) **Oplad ikke batterier, der ikke er genopladelige!**
- d) **Under opladningen skal batterierne befinde sig i et område med god udluftning!**

El-sikkerhed



Kontroller altid, at strømforsyningsens spænding stemmer overens med spændingen på ydelsesskiltet.

- Brug ikke maskinen, hvis netledningen eller netstikket er beskadiget.
- Brug kun forlængerledninger, der er velegnede til maskinens effekt med en minimumstykkelser på 1,5 mm². Hvis du bruger en forlænger kabelrulle, skal du altid rulle kablet helt ud.

2. MASKINOPLYSNINGER

Tilsigtet brug

Maskinen er beregnet til savning af træ, plast og metal, mens bundpladen hviler fast på arbejdsem-

net. Den er velegnet til lige og kurvede snit. Det er også muligt at skære, så snittet flugter med arbejdsfladens overflade. Der skal altid bruges en passende savklinge.

TEKNISKE SPECIFIKATIONER



Denne vejledning er udarbejdet til forskellige sæt/varenumre. Kontroller det tilsvarende varenummer i nedenstående tabel med specifikationer for den korrekte sammensætning og indholdet af dit sæt.

Model nr.	Batterier medfølger	Opladere medfølger
RS501DC	-	-
S_RS501DC	CD801AA	CD802AA
S2_RS501DC	2 x CD801AA	CD802AA
S3_RS501DC	CD803AA	CD802AA
S4_RS501DC	CD801AA	CD802AA

Maskinoplysninger	
Nominal spænding	20 V
Uden belastningshastighed	0-2800/min
Savslag	22 mm
Maks. savkapacitet træ	100 mm
Maks. savkapacitet stål	10 mm
Vægt	1,57kg
Lydtrykkniveau L_{PA}	82,2 dB(A), K=3 dB(A)
Lydtrykeffekt L_{WA}	93,2 dB(A), K=3 dB(A)
Vibration 'savning af træbjælke'	16,844 m/s ² K=1,5 m/s ²
Vibration 'savning af krydsfiner'	18,067 m/s ² K=1,5 m/s ²

Model nr.	CD801AA
Batteritype	Lithium-Ion
Spænding	20 V
Kapacitet	2,0 Ah
Anbefalet oplader	CD802AA
Vægt	0,3kg

Model nr.	CD802AA
Opladerinput	220-240 V, 50 Hz 0,4 A
Opladeroutput	21 V 2,5 A
Opladningstid 2 Ah batteri	60 minutter
Opladningstid 4 Ah batteri	120 minutter
Anbefalede batterier	CD801AA, CD803AA
Vægt	0,36kg

Model nr.	CD803AA
Batteritype	Lithium-Ion
Spænding	20 V
Kapacitet	4,0 Ah
Anbefalet oplader	CD802AA
Vægt	0,65kg

Brug kun de følgende batterier af VONROC VPOWER 20V-batteriplatformen. Brug af andre batterier kan forårsage personskade eller beskadigelse af værktøjet.

CD801AA 20 V, 2 Ah Lithium-Ion
CD803AA 20 V, 4 Ah Lithium-Ion

Den følgende oplader kan bruges til at oplade disse batterier.

CD802AA Hurtig oplader

Batterierne af VONROC VPOWER 20V-batteriplatformen kan udskiftes med alle værktøjer af VONROC VPOWER 20V-batteriplatformen.

Vibrationsniveau

Det udsendte vibrationsniveau, der er angivet i denne brugsvejledning, er blevet målt i overensstemmelse med en standardiseret test i henhold til EN 62841. Den kan bruges til at sammenligne et værktøj med et andet og som en indledende vurdering af eksponering for vibration, når værktøjet bruges til de nævnte anvendelser.

- Når værktøjet bruges til forskellige anvendelser, eller med forskelligt eller dårligt vedligeholdt tilbehør, kan eksponeringsniveauet øges betydeligt.
- De gange, hvor værktøjet er slukket, eller når det er tændt, men ikke bruges til opgaven på det pågældende tidspunkt, kan det reducere eksponeringsniveauet betydeligt.

Beskyt dig mod vibrationseffekterne ved at vedligeholde værktøjet og dets tilbehør, holde dine hænder varme og organisere dine arbejdsmønstre.

BESKRIVELSE

Tallene i teksten henviser til diagrammerne på side 2-4.

1. Låseknop
2. Tænd-/slukknop
3. Håndtag
4. Batteri
5. Knap til oplåsning af batteri
6. Hjælpehåndtag
7. Bundplade
8. Spændepatron
9. Spændearm
10. Sekskantnøgle
11. Bolte til bundplade
12. Arbejdslys
13. Knap til LED-indikatorer for batteri
14. LED-indikatorer for batteri
15. Oplader
16. LED-indikatorer for oplader

3. MONTERING



Tag batteriet ud, inden der udføres arbejde på el-værktøjet.



Batteriet skal oplades inden første brug.

Sådan sættes batteriet ind i maskinen (fig. A, F)



Sørg for, at batteriets yderside er ren og tør, inden du forbinder det til opladeren eller maskinen.

1. Sæt batteriet (4) ind i maskinens base, som vist på Fig. F.
2. Skub batteriet længere frem, indtil det klikker på plads.

Sådan tages batteriet ud af maskinen (fig. A, F)

1. Tryk på knappen til oplåsning af batteri (5)
2. Træk batteriet ud af maskinen, som vist på fig. F.

Kontrol af batteriets opladestatus (fig. G)

- Tryk kortvarigt på knappen (13) på batteriet for at kontrollere batteriets opladningsstatus.

- Batteriet har 3 lamper, der angiver opladningsniveauet. Jo flere lamper, der lyser, des mere opladning er der tilbage i batteriet.
- Når lamperne ikke lyser, betyder det, at batteriet er tomt og skal oplades med det samme.

Opladning af batteriet med opladeren (fig. G)

1. Tag batteriet (4) ud af maskinen.
2. Vend batteriet (4) på hovedet, og skub det ind i opladeren (15), som vist på Fig. G.
3. Skub batteriet, indtil det er helt inde i åbningen.
4. Sæt opladerstikket i en stikkontakt, og vent et øjeblik. LED-indikatorerne på opladeren (16) lyser og viser opladerens status.

Opladeren har 2 LED-indikatorer (16), som indikerer opladningsprocessens status:

Rød LED-status	Grøn LED-status	Opladerstatus
Slukket	Slukket	Ingen strøm
Slukket	Tændt	Standby-tilstand: - Intet batteri isat, eller - Batteri isat, men opladning er afsluttet
Tændt	Slukket	Batteriopladning i gang

- Det kan tage op til 60 minutter at lade 2 Ah batteriet helt op.
- Det kan tage op til 120 minutter at lade 4 Ah batteriet helt op.

Når batteriet er ladet helt op, skal du tage opladerens stik ud af kontakten og fjerne batteriet fra opladeren.



Når maskinen ikke bruges gennem en længere periode, er det bedst at opbevare batteriet i opladet tilstand.



Udskiftning af savklingen (fig. A, C)

Bær beskyttelseshandsker ved montering af savklingen. Fare for personskade, når savklingen berøres.



Brug kun savklinger, der stemmer overens med de karakteristiske data, der er angivet i brugsanvisningerne.

Montering af savklingen

Sørg for, at klingeholderen er fri for materialerester (f.eks. træ- eller metalsplinter).

1. Drej spændearmen (9) så langt til venstre som muligt, og hold den i denne position.
2. Indsæt savklingen i spændepatronen (8).
Kontroller, at savklingen sidder godt fast, og at tænderne peger nedad.
3. Slip spændearmen. Kontrollér, om savklingen er låst fast.

Sørg for at bruge den rette savklinge til det tilsvarende materiale. Med maskinen følger der en grov savklinge til træ og en fin savklinge til metal og plast.

Fjernelse af savklingen

1. Drej spændearmen (9) så langt til venstre som muligt, og hold den i denne position.
2. Fjern savklingen fra spændepatronen (8).
3. Slip spændearmen.

4. BETJENING**Sådan tændes/slukkes maskinen (fig. A)**

Tænd/sluk-kontakten (2) bruges til at aktivere maskinen og justere hastigheden.

- Start maskinen ved at trykke og holde på låseknappen (1) og trykke på tænd/sluk-kontakten (2).
- Jo længere tænd/sluk-kontakten (2) trykkes, des hurtigere bevæger klingens sig. Den påkrævede hastighed afhænger af materialet og kan afgøres gennem praktisk test.
- Stop maskinen ved at slippe tænd/sluk-kontakten (2).

Justering af bundpladen (fig. B)

På grund af dens bevægelighed tilpasser bundpladens (7) vinkel sig til arbejdsemnet. Derudover kan bundpladens længde justeres afhængigt af den nødvendige savdybde.

1. Løsn boltene til bundpladen (11) ved hjælp af den medfølgende sekskantnøgle (10).
2. Juster bundpladen (7).
3. Stram boltene til bundpladen (11) ved hjælp af den medfølgende sekskantnøgle (10). Sekskantnøglen kan opbevares på maskinen, som vist på fig. B.

Dyksavning (fig. D)

Dyksavning må kun bruges på bløde materialer som træ, luftindblandet beton, gipsplader osv. Dette kræver dog en vis praksis og kan kun lade sig gøre med korte savklinger.

1. Placer saven på arbejdsemnet og tænd den.
2. Sørg for, at fodpladens nederste kant hviler på arbejdsemnets overflade som vist.
3. Sav langsomt ind i arbejdsemnet ved en vinkel ved at flytte saven til en lodret position og fortsætte med at save langs skærelinjen.
4. Sluk for saven, og løft arbejdsemnet, når arbejdet er afsluttet.

Flush-savning (fig. E)

Elastiske savklinger i to materialer giver dig mulighed for at save fremspringende genstande (f.eks. vandrer, jernstænger osv.) i nærheden af væggen.

1. Anvend savklingen direkte på væggen og bøj den let, så fodpladen hviler mod væggen. Vær opmærksom på, at savklingen altid strækker sig ud over diameteren på det materiale, der arbejdes på.
2. Tænd for maskinen og sav arbejdsemnet med konstant sidepres mod væggen.

Optimal brug

- Juster savklingen og slaglængden, så det passer til det materiale, der skal behandles. For at opnå de rette radiuskurver er det bedst at bruge en smal klinge. Påfør kølevæske eller smøremiddel for at håndtere den flagren, der kommer langs snitlinjen under savning af metal.
- Kontroller træ, spånplader, byggematerialer osv. for hårde materialer (søm, skruer osv.), inden du saver, og fjern dem, hvis det er nødvendigt.
- Klem materialet godt fast. Støt ikke arbejdsemnet med din hånd eller fod. Rør ikke ved genstande eller gulvet, mens saven kører (fare for tilbageslag).
- Placer fodpladen på overfladen af arbejdsemnet, og sav igennem den med konstant kontaktryk eller fremføring. Hvis savklingen griber fat, skal maskinen straks slukkes. Udvid hullet med et passende værktøj, og træk savklingen ud.
- Når arbejdet er afsluttet, skal maskinen slukkes og først lægges væk, når den er gået helt i stå.

5. VEDLIGEHOJDELSE



Før rengøring og vedligeholdelse skal du altid slukke for maskinen og fjerne batteripakken fra maskinen.

Rengør maskinbeklædningerne regelmæssigt med en blød klud, helst efter hver anvendelse. Sørg for, at der ikke er støv eller snavs i ventilationsåbningerne. Fjern snavs, der sidder meget godt fast, med en blød klud, der er fugtet i sæbevand. Brug ikke opløsningsmidler, som f.eks. benzin, sprit, ammoniak osv. Kemikalier som disse beskadiger de syntetiske komponenter.

MILJØ



Defekte og/eller bortskaffede elektriske og elektroniske apparater skal afleveres på en passende genbrugsstation.

Kun for lande i EU

Maskinværktøj må ikke bortskaffes sammen med husholdningsaffald. Ifølge EC-direktiv 2012/19/EU om affald af elektrisk og elektronisk udstyr og dets gennemførelse i den nationale lovgivning skal maskinværktøjer, der ikke længere anvendes, afleveres separat og bortskaffes på en miljøvenlig måde.

GARANTI

VONROC-produkter er udviklet til de højeste kvalitetsstandarder og er garanteret fri for defekter i både materialer og udførelse i den periode, der er retsligt angivet fra datoen for det originale køb. Hvis produktet skulle udvikle fejl i denne periode på grund af defekt materiale og/eller udførelse, bedes du kontakte VONROC direkte.

Følgende omstændigheder er udelukket fra denne garanti:

- Uautoriserede servicecentre har foretaget eller gjort forsøg på at foretage reparationer og/eller ændringer på maskinen;
- Normal slitage;
- Værktøjet er blevet misbrugt, brugt forkert eller ikke passende vedligeholdt;
- Der er anvendt ikke-originale reservedele.

Dette udgør den eneste garanti, virksomheden har givet, enten udtrykt eller underforstået. Der er

ingen andre garantier, udtrykt eller underforstået, som strækker sig ud over denne, herunder de underforståede garantier for salgbarhed og egnethed til et bestemt formål. Under ingen omstændigheder skal VONROC holdes ansvarlig for tilfældige skader eller følgeskader. Forhandlerens retsmidler skal være begrænset til reparation eller udskiftning af enheder eller dele, der ikke overholder kravene.

Produktet og brugervejledningen er genstand for ændringer. Specifikationer kan ændres uden yderligere varsel.

1. INSTRUKCJE BEZPIECZEŃSTWA

Przeczytać dołączone ostrzeżenia dotyczące bezpieczeństwa, dodatkowe ostrzeżenia dotyczące bezpieczeństwa oraz instrukcje. Nieprzestrzeganie ostrzeżeń dotyczących bezpieczeństwa oraz instrukcji może prowadzić do porażenia prądem, pożaru i/lub poważnych obrażeń ciała. Zachować ostrzeżenia dotyczące bezpieczeństwa oraz instrukcje na przyszłość.

Następujące symbole są umieszczone w instrukcji obsługi lub na produkcie:



Przeczytać instrukcje obsługi.



Oznacza ryzyko obrażeń ciała, śmierci lub uszkodzenia narzędzia w razie nieprzestrzegania poleceń z instrukcji.



Osoby postronne, zwłaszcza dzieci, oraz zwierzęta powinny się znajdować w odległości większej niż 10 metrów od maszyny.



Korzystaj ze środków ochrony wzroku.



Korzystaj ze środków ochrony słuchu.



Noś maskę przeciwpyłową



Obszar niebezpieczny! Trzymać dłonie z dala (10 cm) od obszaru cięcia podczas pracy maszyny. Ryzyko obrażeń ciała w wyniku zetknięcia się z tarczą.



Tylko do użytku w pomieszczeniach.



Maszyna klasy II - Podwójna izolacja - Nie trzeba stosować wtyczek z uziemieniem.



Miniaturowy topik z opóźnieniem czasowym.



Maks. temperatura 45° C.



Nie wrzucać akumulatora do ognia.



Nie wrzucać akumulatora do wody.



Zbiórka selektywna akumulatora litowo jonowego.



Produkt spełnia wymogi odpowiednich norm bezpieczeństwa podanych w dyrektywach UE.

OGÓLNE ZALECENIA DOTYCZĄCE BEZPIECZEŃSTWA



UWAGA! Przeczytać wszystkie ostrzeżenia dotyczące bezpieczeństwa i wszystkie instrukcje. Nieprzestrzeganie wszystkich poniższych instrukcji może być przyczyną porażenia prądem, pożaru i/lub poważnych obrażeń.

Zachowaj poniższe instrukcje.

Termin „elektronarzędzia akumulatorowe” we wszystkich ostrzeżeniach zamieszczonych poniżej odnosi się do elektronarzędzi akumulatorowych zasilanych sieciowo (przewodowych) lub elektronarzędzi akumulatorowych działających na baterie (beprzewodowych).

1) Obszar roboczy

- a) **Obszar roboczy należy utrzymywać w czystości.** Powinien on być dobrze oświetlony. Nieład i złe oświetlenie mogą z łatwością doprowadzić do wypadku.
- b) **Nie korzystaj z elektronarzędzi akumulatorowych w warunkach, w których łatwo może dojść do wybuchu, np. w obecności łatwopalnych cieczy, gazów lub pyłu.** Podczas pracy elektronarzędzi akumulatorowych powstają iskry, które mogą doprowadzić do zapłonu pyłu lub oparów.
- c) **Dzieci i inne osoby postronne powinny pozostać w bezpiecznej odległości od pracującego urządzenia.** Rozproszenie uwagi może spowodować utratę kontroli nad urządzeniem.

2) Bezpieczeństwo związane z elektrycznością

- a) **Wtyczki elektronarzędzi akumulatorowych muszą być odpowiednie do danego gniazda.** Pod żadnym pozorem nie należy modyfikować wtyczki w jakikolwiek sposób. Nie należy używać adapterów, które uzimają elektronarzędzia akumulatorowe. Stosowanie wtyczek nie poddanych modyfikacjom oraz odpowiednich gniazd zmniejsza ryzyko porażenia prądem.
- b) **Należy unikać bezpośredniego kontaktu fizycznego z powierzchniami uziemionymi, takimi jak rury, grzejniki, kuchenki, lodówki.** Ryzyko porażenia prądem jest większe, jeśli ciało osoby obsługującej urządzenie jest uziemione.

- c) **Nie należy wystawiać elektronarzędzi akumulatorowych na działanie deszczu lub wilgoci.** Dostanie się wody do wnętrza elektronarzędzia akumulatorowego zwiększy ryzyko porażenia prądem.
- d) **Nie należy używać przewodu w niewłaściwy sposób. Pod żadnym pozorem nie należy wykorzystywać przewodu do przenoszenia lub ciągnięcia elektronarzędzia akumulatorowego, ani do jego odłączania od sieci. Przewodu nie należy wystawiać na działanie ciepła, smarów. Powinien on znajdować się w bezpiecznej odległości od ostrych krawędzi i części ruchomych.** Przewody uszkodzone lub poplątane zwiększają ryzyko porażenia prądem.
- e) **Podczas korzystania z elektronarzędzia akumulatorowego na wolnym powietrzu, należy używać przewodu przedłużacza przystosowanego do użytku na zewnątrz.** Używanie przewodu nadającego się do użytku na wolnym powietrzu zmniejsza ryzyko porażenia prądem.
- f) **Jeśli obsługa elektronarzędzia w wilgotnym miejscu jest nieunikniona, użyć zasilania wyposażonego w wyłącznik różnicowo-prądowy.** Użycie wyłącznika różnicowo-prądowego zmniejsza ryzyko porażenia prądem.
- 3) Bezpieczeństwo osoby obsługującej urządzenie**
- a) **Przez cały czas należy mieć się na baczności, uważać na to, co się robi, a w czasie obsługi elektronarzędzia akumulatorowego postępować mając na uwadze zdrowy rozsądek. Urządzenia nie powinny obsługiwać osoby zmęczone lub będące pod wpływem narkotyków, alkoholu lub leków.** Chwila nieuwagi w czasie obsługi elektronarzędzi akumulatorowych może być przyczyną powstania poważnych obrażeń ciała.
- b) **Należy korzystać ze sprzętu ochronnego oraz zawsze nosić okulary ochronne.** Sprzęt ochronny, jak na przykład maska przeciwpyłowa, antypoślizgowe obuwie ochronne, kask lub słuchawki ochronne używane we właściwych sytuacjach pozwoli na zmniejszenie ryzyka obrażeń ciała.
- c) **Unikać niezamierzonego uruchomienia. Przed podłączeniem urządzenia do sieci, zawsze sprawdzić, czy przełącznik znajduje się w pozycji „wyłączony”.** Przenoszenie elektronarzędzi z palcem na przełączniku lub włączonych elektronarzędzi z przełącznikiem w położeniu włączenia jest bardzo niebezpieczne i może powodować wypadki.
- d) **Przed włączeniem elektronarzędzia akumulatorowego należy usunąć z niego wszystkie klucze nastawcze lub maszynowe.** Pozostawienie klucza zamocowanego na jednej z części obrotowych urządzenia może spowodować powstanie obrażeń ciała.
- e) **Nie należy sięgać ponad urządzeniem. Przez cały czas należy zachować odpowiednią równowagę i zapewnić odpowiednie oparcie dla stóp.** Pozwoli to na lepsze kontrolowanie urządzenia w nieoczekiwanych sytuacjach.
- f) **Należy nosić odpowiednie ubranie. Do pracy z urządzeniem nie wkładać luźnych ubrań ani biżuterii. Włosy, ubranie i rękawiczki trzymać z dala od części ruchomych.** Luźne części ubrania, biżuteria lub długie włosy mogą zostać wciągnięte przez części ruchome.
- g) **Jeśli w urządzeniu przewidziano elementy służące do odprowadzania i zbierania pyłu, należy sprawdzić, czy są podłączone, i czy działają we właściwy sposób.** Korzystanie z tego typu elementów pozwala ograniczyć ryzyko związane z wydzielaniem pyłu podczas pracy urządzenia.
- h) **Nie zezwalać na to, aby rutyna związana z częstym korzystaniem z narzędzi powodowała nadmierną pewność siebie i ignorowanie zasad bezpiecznego korzystania z narzędzi.** Nieodpowiedzialne działanie może spowodować poważne obrażenia ciała w ułamku sekundy.
- 4) Obsługa i konserwacja elektronarzędzi akumulatorowych**
- a) **Urządzenia nie należy przeciążać. Należy korzystać z narzędzia odpowiedniego do danego typu pracy.** Odpowiednio dobrane urządzenie pozwoli na lepsze i bezpieczniejsze wykonanie pracy, we właściwym dla urządzenia tempie.
- b) **Z elektronarzędzia akumulatorowego nie należy korzystać, jeśli nie można go wyłączyć i wyłączyć przy pomocy przełącznika.** Urządzenie, którego nie można kontrolować używając przełącznika jest niebezpieczne i powinno być oddane do naprawy.
- c) **Przed przystąpieniem do regulowania elektronarzędzi akumulatorowych, wymiany akcesoriów lub przygotowywania urządzeń do okresu przechowywania, należy odłączyć wtyczkę od źródła zasilania.** Tego typu środki ostrożności zmniejszają ryzyko przypadkowego uruchomienia urządzenia.

- d) **Nieczyste elektronarzędzia akumulatorowe należy przechowywać poza zasięgiem dzieci. Nie należy pozwolić, aby osoby nie znające urządzenia lub niniejszych instrukcji obsługi użyły urządzenia.** Elektronarzędzia akumulatorowe w rękach niekompetentnych użytkowników stanowią zagrożenie.
- e) **Elektronarzędzia akumulatorowe należy utrzymywać w dobrym stanie technicznym. Należy sprawdzać, czy części ruchome są właściwie założone, i czy się nie zacinają. Należy również sprawdzać, czy jakieś części nie są uszkodzone oraz sprawdzać wszelkie inne elementy, które mogą wpłynąć na pracę urządzeń. Jeśli urządzenie jest uszkodzone, przed przystąpieniem do jego użytkowania, należy je naprawić.** Częstą przyczyną wypadków jest zły stan techniczny urządzeń.
- f) **Narzędzia służące do cięcia powinny być naostrzone i utrzymywane w czystości.** Jeśli narzędzia służące do cięcia, które posiadają ostre krawędzie tnące, są właściwie konserwowane, istnieje mniejsze prawdopodobieństwo ich zacinania się. Ponadto, łatwiej je kontrolować.
- g) **Elektronarzędzia akumulatorowego, akcesoriów, nakładek, itp. należy używać zgodnie z niniejszymi instrukcjami oraz w sposób właściwy dla danego rodzaju urządzenia, z uwzględnieniem warunków pracy oraz jej rodzaju.** Używanie urządzenia niezgodnie z przeznaczeniem może prowadzić do powstania sytuacji niebezpiecznych.
- h) **Uchwyty należy utrzymywać w stanie suchym, czystym i niezabrudzonym olejem lub smarem.** Śliskie uchwyty i powierzchnie do chwytania nie pozwalają na bezpieczne obchodzenie się z narzędziem i panowanie nad nim w nieoczekiwanych sytuacjach.
- 5) **Użytkowanie i konserwacja urządzenia zasilanego akumulatorami**
- a) **Ładować tylko przy użyciu ładowarki określonej przez producenta.** Ładowarka przewidziana dla jednego rodzaju akumulatorów stwarza ryzyko pożaru w przypadku użycia jej z innym zestawem akumulatorów.
- b) **Należy używać jedynie akumulatorów przeznaczonych dla danego urządzenia.** Użycie innych akumulatorów stwarza ryzyko wystąpienia obrażeń ciała lub pożaru.
- c) **Kiedy akumulatorki nie są używane, należy przechowywać je z dala od przedmiotów metalowych, takich jak spinacze do papieru, monety,**

klucze, gwoździe, śruby lub inne niewielkie przedmioty metalowe, które mogłyby spowodować zwarcie pomiędzy stykami. Zwarcie styków akumulatora może spowodować pożar.

- d) **W przypadku przecięcia z akumulatora może wycieknąć płyn; nie należy go dotykać. W razie przypadkowego kontaktu przemyć skórę wodą. W przypadku dostania się płynu do oczu należy skontaktować się z lekarzem.** Płyn z akumulatora może powodować podrażnienia lub oparzenia.
- e) **Nie używać uszkodzonego ani zmodyfikowanego akumulatora lub narzędzia.** Uszkodzone lub zmodyfikowane akumulatory mogą działać w sposób nieoczekiwany, co może powodować pożar, wybuch lub ryzyko obrażeń ciała.
- f) **Nie wystawiać akumulatora ani narzędzia na działanie płomienia lub zbyt wysokiej temperatury.** Narażenie na działanie płomienia lub temperatury powyżej 130°C może spowodować wybuch. UWAGA Temperaturę „130 °C“ można zastąpić temperaturą „265 °F“.
- g) **Przestrzegać wszystkich instrukcji ładowania i nie ładować akumulatora ani narzędzia poza zakresem temperatury podanym w instrukcji.** Nieprawidłowe ładowanie lub ładowanie w temperaturze poza podanym zakresem może spowodować uszkodzenie akumulatora i zwiększyć ryzyko pożaru.
- 6) **Serwis**
- a) **Zlecać serwisowanie elektronarzędzie wykwalifikowanemu technikowi stosującymi jedynie części zamienne identyczne z oryginalnymi.** Zapewni to zachowanie bezpieczeństwa elektronarzędzia.
- b) **Nigdy nie serwisować uszkodzonych akumulatorów.** Serwisowanie akumulatorów może spowodować wyłączenie producenta lub autoryzowany serwis.

OSTRZEŻENIA DOTYCZĄCE BEZPIECZEŃSTWA UŻYTKOWANIA PIŁ SZABLASTYCH

- **Trzymać elektronarzędzie tylko za izolowane powierzchnie do chwytania podczas wykonywania prac, podczas których akcesorium tnące może zetknąć się z ukrytym okablowaniem.** Zetknięcie się osprzętu tnącego z przewodem pod napięciem może sprawić, że odsłonięte metalowe części narzędzia również będą pod napięciem i spowodować porażenie operatora prądem.

- **Trzymać dłonie z dala od zakresu pracy brzeszczota. Nie sięgać pod obrabiany element.** Kontakt z brzeszczotem może prowadzić do obrażeń ciała.
- **Przykładać maszynę do obrabianego elementu tylko wtedy, gdy jest włączona.** W przeciwnym razie istnieje ryzyko odrzucenia maszyny po utknięciu brzeszczota w obrabianym elemencie.
- **Podczas piłowania płyta podstawy musi być zawsze przyłożona do obrabianego elementu.** Brzeszczot może się zaklinować i spowodować utratę panowania nad maszyną.
- **Po zakończeniu piłowania wyłączyć maszynę, a następnie wyjąć brzeszczot z cięcia, dopiero gdy się zatrzyma.** W ten sposób można uniknąć odrzutu i bezpiecznie odłożyć maszynę.
- **Używać wyłącznie nieuszkodzone brzeszczoty w idealnym stanie.** Zgięte lub stępione brzeszczoty mogą pękać, negatywnie wpływać na jakość cięcia lub prowadzić do odrzutu.
- **Nie hamować brzeszczota do zatrzymania poprzez naciskanie na brzeszczot z boku po wyłączeniu.** Brzeszczot może ulec uszkodzeniu, pęknąć lub spowodować odrzut.
- **Należy zastosować zaciski lub inne podobne narzędzia, aby zabezpieczyć i unieruchomić obrabiany element na stabilnym podłożu.** Trzymanie obrabianego elementu w ręku lub podpieranie go ciałem nie zapewnia odpowiedniej stabilności i może prowadzić do utraty kontroli nad nim.
- **Użyć odpowiednich detektorów do sprawdzenia, czy w miejscu pracy nie znajdują się ukryte kable elektryczne/rury wodne/gazowe lub skontaktować się z lokalnym dostawcą energii/wody/gazu w celu uzyskania pomocy.** Kontakt z kablem elektrycznym może prowadzić do pożaru i porażenia prądem. Uszkodzenie rury z gazem może prowadzić do wybuchu. Przebiecie rury z wodą spowoduje uszkodzenie mienia.
- **Podczas pracy maszyną zawsze mocno trzymać ją obiema rękami i stać w stabilnej pozycji.** Tym elektronarzędziem pracuje się i kieruje bezpieczniej przy użyciu obu rąk.
- **Zamocować obrabiany element.** Obrabiany element zaciśnięty zaciskami lub w imadle jest zamocowany mocniej niż trzymany ręką.
- **Przed odłożeniem maszyny zawsze poczekać na jej całkowite zatrzymanie.** Końcówka narzędziowa może utknąć i doprowadzić do utraty panowania nad elektronarzędziem.

OSTRZEŻENIA DOTYCZĄCE AKUMULATORA

- a) **Nie otwierać akumulatora.** Ryzyko zwarcia.
- b) **Chronić akumulator przed gorącym, np. długotrwającym silnym nasłonecznieniem, ogniem, wodą i wilgocią.** Ryzyko wybuchu.
- c) **W razie uszkodzenia i błędnego użytkowania akumulatora, może dojść do emisji oparów. Przewietrzyć miejsce emisji i uzyskać pomoc lekarską w razie dolegliwości.** Opary mogą powodować podrażnienie układu oddechowego.
- d) **Używać akumulatora wyłącznie w połączeniu z produktem marki Vonroc.** Takie postępowanie chroni akumulator przed niebezpiecznym przeciążeniem.
- e) **Akumulator może zostać uszkodzony przez ostro zakończone przedmioty, jak gwoździe lub wkręta, albo przez uderzenie z zewnątrz.** Może dojść do wewnętrznego zwarcia i akumulator może zacząć się palić, dymić, wybuchnąć lub przegrzać się.

OSTRZEŻENIA DOTYCZĄCE ŁADOWARKI

Przeznaczenie

Za pomocą ładowarki ładować wyłącznie akumulatory typu CD801AA i CD803AA. Baterie mogą pękać, powodując obrażenia ciała i uszkodzenia mienia.

- a) **Urządzenie nie jest przeznaczone do użytku przez osoby (w tym dzieci) o ograniczonych zdolnościach fizycznych, czuciowych lub umysłowych albo nie posiadające doświadczenia i wiedzy, chyba że zostały one odpowiednio poinstruowane i są pod nadzorem.**
- b) **Dzieciom nie wolno pozwalać bawić się urządzeniem.**
- c) **Nie ładować zwykłych baterii!**
- d) **Podczas ładowania akumulatory muszą znajdować się w dobrze wentylowanym miejscu!**

Bezpieczeństwo elektryczne



Zawsze sprawdzać, czy napięcie zasilania jest zgodne z napięciem podanym na tabliczce znamionowej.

- Nie używać urządzenia, jeśli jego kabel zasilający jest uszkodzony lub wtyczka kabla zasilającego jest uszkodzona.
- Używać wyłącznie przedłużaczy przystosowanych do pracy z parametrami zasilania urządzenia o minimalnej grubości 1,5 mm². W przypadku korzystania z przedłużacza w zwoju, zawsze całkowicie rozwinąć zwój.

2. INFORMACJE O MASZYNIE

Przeznaczenie

Ta maszyna służy do piłowania drewna, tworzyw sztucznych i metalu po mocnym przyłożeniu płyty podstawy do obrabianego elementu. Nadaje się do wykonywania cięć prostych i zakrzywionych. Można również wykonywać cięcia na płasko z powierzchnią obrabianego elementu. Należy zawsze używać właściwego brzeszczota.

DANE TECHNICZNE



Niniejsza instrukcja dotyczy różnych zestawów/numerów artykułów. Sprawdzić odpowiedni numer artykułu w poniższej tabeli, aby uzyskać informacje na temat zawartości zestawu.

Nr. modelu	Baterie w komplecie	Ladowarka w komplecie
RS501DC	-	-
S_RS501DC	CD801AA	CD802AA
S2_RS501DC	2 x CD801AA	CD802AA
S3_RS501DC	CD803AA	CD802AA
S4_RS501DC	CD801AA	CD802AA

Informacje o maszynie	
Napięcie znamionowe	20V
Prędkość bez obciążenia	0-2800/min
Skok brzeszczota	22mm
Maks. grubość piłowania drewna	100mm
Maks. grubość piłowania stali	10mm
Ciężar	1,57 kg
Poziom ciśnienia akustycznego L_{PA}	82,2 dB(A), K=3dB(A)
Poziom mocy akustycznej L_{WA}	93,2 dB(A), K=3dB(A)
Drgania „piłowanie drewnianej belki”	16,844 m/s ² K=1,5 m/s ²
Drgania „piłowanie sklejkki”	18,067 m/s ² K=1,5 m/s ²

Nr. modelu	CD801AA
Typ akumulatora	Litowo-jonowy
Napięcie	20V
Pojemność	2,0 Ah
Zalecana ładowarka	CD802AA
Ciężar	0,3 kg

Nr. modelu	CD802AA
Parametry wyjściowe ładowarki	220-240V, 50Hz 0,4A
Parametry wyjściowe ładowarki	21V 2,5A
Czas ładowania akumulatora 2 Ah	60 minut
Czas ładowania akumulatora 4 Ah	120 minut
Zalecane akumulatory	CD801AA, CD803AA
Ciężar	0,36 kg

Nr. modelu	CD803AA
Typ akumulatora	Litowo-jonowy
Napięcie	20V
Pojemność	4,0 Ah
Zalecana ładowarka	CD802AA
Ciężar	0,65 kg

Używać wyłącznie następujących akumulatorów z platformy akumulatorów VONROC VPOWER 20 V. Użycie innych akumulatorów może spowodować poważne obrażenia ciała lub uszkodzenie narzędzia.
 CD801AA 20 V, 2 Ah Litowo-jonowy
 CD803AA 20 V, 4 Ah Litowo-jonowy

Następującej ładowarki można używać do ładowania tych akumulatorów.
 CD802AA Szybka ładowarka

Akumulatory należące do platformy VONROC VPOWER 20 V można stosować we wszystkich narzędziach z platformy VONROC VPOWER 20 V.

Poziom drgań

Poziom emisji drgań podany w tej instrukcji obsługi został zmierzony zgodnie ze standaryzowanym testem podanym w normie EN 62841; może on służyć do porównywania narzędzi ze sobą oraz do wstępnego oszacowania ekspozycji na drgania podczas użytkowania narzędzia do podanych zastosowań.

- używanie narzędzia do innych zastosowań lub z innymi lub źle konserwowanymi akcesoriami może znacząco zwiększać poziom ekspozycji.
- okresy, gdy narzędzie jest wyłączone lub okresy, gdy jest włączone, ale nie pracuje, mogą znacząco zmniejszać poziom ekspozycji.

Chronić się przed wpływem drgań, konserwując odpowiednio narzędzie i akcesoria, utrzymując ciepłotę dłoni oraz odpowiednio organizując pracę.

OPIS

Liczby w tekście odnoszą się do rysunków na stronach 2-4.

1. Przycisk wyłączenia blokady
2. Włącznik
3. Uchwyt
4. Akumulator
5. Przycisk odblokowania akumulatora
6. Uchwyt pomocniczy
7. Płyta podstawy
8. Uchwyt
9. Dźwignia zaciskająca
10. Klucz imbusowy
11. Śruby płyty podstawy
12. Światło robocze
13. Przycisk diod LED akumulatora
14. Diody LED akumulatora
15. Ładowarka
16. Diody LED ładowarki

3. MONTAŻ



Przed rozpoczęciem jakichkolwiek pracy dotyczących elektronarzędzia, wyjąć akumulator.



Akumulator należy naładować przed pierwszym użyciem.

Wkładanie akumulatora do narzędzia (Rys. A, F)



Dopilnować, aby zewnętrzna powierzchnia akumulatora była czysta i sucha przed podłączeniem do ładowarki lub narzędzia.

1. Włożyć akumulator (4) w podstawę narzędzia, zgodnie z rys. F.
2. Wcisnąć akumulator dalej, aż zatrzaśnie się w poprawnym położeniu.

Wymywanie akumulatora z narzędzia (Rys. A, F)

1. Nacisnąć przycisk odblokowania akumulatora (5).
2. Wyjąć akumulator z narzędzia zgodnie z rys. F.

Sprawdzanie stanu naładowania akumulatora (Rys. G)

- Aby sprawdzić stan naładowania akumulatora, wcisnąć przycisk (13) na akumulatorze na chwilę.
- Akumulator ma 3 diody informujące o poziomie naładowania. Im więcej świeci diod, tym wyższy poziom naładowania akumulatora.
- Jeśli diody nie świecą, oznacza to, że akumulator jest rozładowany i wymaga niezwłocznego naładowania.

Ładowanie akumulatora ładowarką (Rys. G)

1. Wyjąć akumulator (4) z narzędzia.
2. Ustawić akumulator (4) spodem do góry i wsunąć go na ładowarkę (15) zgodnie z rys. G.
3. Wcisnąć akumulator do oporu do gniazdka.
4. Podłączyć ładowarkę do gniazdka i poczekać chwilę. Dioda LED na Akumulator (16) zaświeci się, informując o stanie ładowania.

Akumulator jest wyposażona w 2 diodę LED (16), informującą o stanie procesu ładowania:

Stan czerwonej diody LED	Stan zielonej diody LED	Stan ładowarki
Wył.	Wył.	Brak zasilania
Wył.	Wł.	Tryb gotowości: - Nie włożono akumulatora lub - Włożono akumulator, ale ładowanie zostało zakończone
Wł.	Wył.	Ładowanie akumulatora w toku

- Całkowite naładowanie akumulatora 2Ah może trwać do 60 minut.
- Całkowite naładowanie akumulatora 4Ah może trwać do 120 minut.

Po całkowitym naładowaniu akumulatora wyjąć wtyczkę ładowarki z gniazdka i wyjąć akumulator z ładowarki.



Kiedy narzędzie nie jest używane przez długi okres, najlepiej przechowywać akumulator w stanie naładowanym.

Wymiana brzeszczota (Rys. A, C)



Podczas wymiany brzeszczota nosić rękawice ochronne. Ryzyko obrażeń ciała w wyniku dotknięcia brzeszczota.



Używać wyłącznie brzeszczotów zgodnych z danymi technicznymi podanymi w instrukcji.

Montaż brzeszczota



Dopilnować, aby uchwyt brzeszczota był wolny od resztek materiału (np. drewnianych lub metalowych wiórów)

1. Obrócić dźwignię zaciskającą (9) do oporu w lewo i zatrzymać ją w tym położeniu.
2. Włożyć brzeszczot w uchwyt (8). Sprawdzić, czy brzeszczot jest mocno zamocowany i jego zęby są skierowane w dół.
3. Puścić dźwignię zaciskającą. Sprawdzić, czy brzeszczot jest zablokowany.

Dopilnować stosowania brzeszczota dopasowanego do obrabianego materiału. Do maszyny dołączony jest brzeszczot do drewna z dużymi zębami i brzeszczot do metalu i tworzyw sztucznych z małymi zębami.

Demontaż brzeszczota

1. Obrócić dźwignię zaciskającą (9) do oporu w lewo i zatrzymać ją w tym położeniu.
2. Wyjąć brzeszczot z uchwytu (8).
3. Puścić dźwignię zaciskającą.

4. OBSŁUGA

Włączanie i wyłączanie narzędzia (Rys. A)

Włącznik (2) służy do włączania narzędzia i regulacji prędkości.

- Aby włączyć maszynę, wcisnąć i przytrzymać przycisk wyłączania blokady (1) i wcisnąć włącznik (2).
- Im dalej włącznik (2) jest wciśnięty, tym szybciej porusza się brzeszczot. Wymagana prędkość zależy od materiału i można ją stwierdzić, wykonując testy praktyczne.
- Aby zatrzymać maszynę, zwolnić włącznik (2).

Regulacja płyty podstawy (Rys. B)

Z uwagi na możliwość ruchu, kąt nachylenia płyty podstawy (7) dostosowuje się do obrabianego elementu. Poza tym długość płyty podstawy można dostosować w zależności od wymaganej głębokości piłowania.

1. Poluzować śruby płyty podstawy (11) kluczem imbusowym (10) dołączonym do zestawu.
2. Wyregulować płytę podstawy (7).
3. Dokręcić śruby płyty podstawy (11) kluczem imbusowym (10) dołączonym do zestawu. Klucz imbusowy można przechowywać na maszynie zgodnie z rys. B.

Piłowanie wgłębne (Rys. D)

Piłowanie wgłębne można stosować wyłącznie do materiałów miękkich, jak drewno, gazobeton, płyta gipsowo-kartonowa itp. Wymaga to jednak pewnej wprawy i jest możliwe wyłącznie w połączeniu z krótkimi brzeszczotami.

1. Umieścić piłę na obrabianym przedmiocie i włączyć ją.
2. Dopilnować, aby dolna krawędź płyty podstawy spoczywała na powierzchni obrabianego elementu zgodnie z rysunkiem.
3. Powoli wcinać się piłą w obrabiany element pod kątem, przesuwając piłę do położenia pionowego, a następnie piłować dalej wzdłuż linii cięcia.
4. Wyłączyć piłę i unieść ją z obrabianego elementu po zakończeniu pracy.

Cięcie na płasko z powierzchnią (Rys. E)

Elastyczne bimetalowe brzeszczoty pozwalają na piłowanie przedmiotów wystających (np. Rur wodociągowych, żelaznych prętów itp.) ze ściany w pobliżu jej powierzchni.

1. Przyłożyć brzeszczot bezpośrednio do ściany i lekko zgiąć brzeszczot, aby płyta podstawy opierała się o ścianę. Uważać, aby brzeszczot zawsze wystawał poza średnicę obrabianego materiału.
2. Włączyć maszynę i odciąć obrabiany element, wywierając stałe nacisk poprzeczny na ścianę.

Optymalne stosowanie

- Dostosować brzeszczot i prędkość pracy piły do obrabianego materiału. Do wycinania krzywych pod kątem prostym najlepiej używać wąskich brzeszczotów. Zastosować środek chłodzący lub smary, aby poradzić sobie z drzeniem wzdłuż linii cięcia podczas piłowania metalu.

- Sprawdzić drewno, płyty wiórowe, materiały budowlane itp. pod kątem twardych materiałów (gwoździ, wkrętów itp.) przed piłowaniem i usunąć je w razie potrzeby.
- Dobrze zaciskać materiał. Nie podierać obrabianego elementu dłonią lub stopą. Nie dotykać przedmiotów ani podłogi uruchomioną piłą (ryzyko odrzutu).
- Przyłożyć płytę podstawy do powierzchni obrabianego przedmiotu i piłować, utrzymując stałą nacisk płyty na przedmiot i stałą prędkość posuwu. Jeśli brzeszczot utknie, natychmiast wyłączyć maszynę. Rozszerzyć szczelinę cięcia właściwym narzędziem i wyciągnąć brzeszczot.
- Po skończeniu pracy wyłączyć maszynę i odłożyć ją dopiero po jej całkowitym zatrzymaniu.

5. KONSERWACJA



Przed rozpoczęciem czyszczenia i konserwacji zawsze wyłączać maszynę i wyjąć z niej akumulator.

Czyścić obudowę maszyny regularnie miękką ściereczką, najlepiej po każdym użyciu. Dopilnować, aby otwory wentylacyjne były wolne od pyłu, kurzu i zabrudzeń. Usuwać odporne zabrudzenia miękką ściereczką zwilżoną mydlinami. Nie używać żadnych rozpuszczalników, takich jak benzyna, alkohol, amoniak itp. Takie substancje chemiczne spowodują uszkodzenie części z tworzyw sztucznych.

ŚRODOWISKO



Uszkodzone i/lub niepotrzebne urządzenia elektryczne lub elektroniczne podlegają zbiórce w odpowiednich punktach recyklingu.

Tylko kraje WE

Nie wyrzucać elektronarzędzi wraz z odpadami z gospodarstw domowych. Zgodnie z dyrektywą 2012/19/EU dotyczącą zużytych urządzeń elektrycznych i elektronicznych oraz jej wdrożeniem do prawodawstwa krajowego, elektronarzędzia, które już nie nadają się do użytku, podlegają oddzielnej zbiórce oraz utylizacji w sposób przyjazny dla środowiska. Produkt i instrukcja obsługi podlegają zmianom. Dane techniczne podlegają zmianom bez uprzedzenia.

GWARANCJA

Produkty VONROC są wytwarzane zgodnie z najwyższymi standardami jakości i producent udziela gwarancji na wady materiałowe i wady wykonania na okres wymagany prawem, licząc od dnia zakupu. Jeśli wystąpi usterka produktu w tym okresie spowodowana wadą materiałową i/lub wadą wykonania, proszę bezpośrednio skontaktować się ze sprzedawcą VONROC.

Następujące okoliczności powodują unieważnienie gwarancji:

- Przeprowadzono naprawy lub modyfikacje narzędzia w serwisie innym lub autoryzowany lub podjęto ich próbe;
- Normalne zużycie nie jest objęte gwarancją;
- Narzędzie było używane niezgodnie z przeznaczeniem, źle z nim się obchodzono lub było nieprawidłowo konserwowane;
- Użyto części zamiennych innych niż oryginalne.

Niniejsza gwarancja to wyłączna gwarancja producenta i nie obowiązują żadne inne wyrażone ani dorozumiane gwarancje. Nie obowiązują żadne inne wyrażone ani dorozumiane gwarancje o zakresie przekraczającym niniejszą gwarancję, co obejmuje dorozumiane gwarancje przydatności do sprzedaży i przydatności do określonego celu. W żadnym przypadku firma VONROC nie ponosi odpowiedzialności za straty przypadkowe lub wynikowe. Zadośćuczynienie sprzedawcy jest ograniczone do naprawy lub wymiany niezgodnych urządzeń lub części.

Produkt i instrukcja obsługi podlegają zmianom. Dane techniczne podlegają zmianom bez uprzedzenia.

1. INSTRUCȚIUNI DE SIGURANȚĂ

Citiți avertizările de siguranță, avertizările de siguranță suplimentare și instrucțiunile. Nerespectarea avertizărilor de siguranță poate cauza producerea de electrocutări, incendii și/sau răniri grave. Păstrați avertizările de siguranță și instrucțiunile pentru referințe viitoare.

În manualul de utilizare sau pe produs se utilizează următoarele simboluri:



Citiți manualul de utilizare.



Indică riscul de rănire personală, pierderea vieții sau deteriorarea sculei în cazul în care nu se respectă instrucțiunile din acest manual.



Persoanele din jur, în special copiii și animalele de companie trebuie să păstreze o distanță mai mare de 10m.



Purtați echipament de protecție pentru ochi.



Purtați echipament de protecție pentru urechi.



Purtați mască de protecție antipraf.



Zonă de pericol! Păstrați mâinile la distanță (10 cm) față de zona de tăiere în timp ce mașina este în funcțiune. Pericol de rănire atunci când intrați în contact cu lama ferăstrăului.



Destinat numai utilizării în interior.



Mașină din clasa II - Izolație dublă - Nu este necesară o priză cu împământare.



Siguranță în miniatură de tip Time-lag.



Max 45°C

Temperatură max. 45°C.



Nu aruncați bateria în foc.



Nu aruncați bateria în apă.



Colectare separată pentru bateria Li-ion.



Produsul este în conformitate cu standardele de siguranță aplicabile din directivele europene.

AVERTISMENTE GENERALE DE SIGURANȚĂ PRIVIND UNELTELE ELECTRICE



AVERTISMENT! Citiți toate avertismentele de siguranță și toate instrucțiunile.

Nerespectarea avertismentelor și instrucțiunilor poate cauza producerea de electrocutări, incendii și/sau răniri grave.

Păstrați toate avertizările și instrucțiunile pentru consultare ulterioară.

Termenul „unealtă electrică” din avertismente se referă la scula electrică (cu fir) sau la unealta electrică cu baterie (fără fir).

1) Siguranța zonei de lucru

- Păstrați zona de lucru curată și bine iluminată.** Zonele dezordonate sau întunecate duc la accidente.
- Nu operați uneltele electrice în atmosfere explozive, cum ar fi în prezența lichidelor, gazelor sau pulberilor explozive.** Uneltele electrice generează scânteii care pot aprinde pulberea sau fumurile inflamabile.
- Țineți la distanță copiii și persoanele din jur în timp ce operați o unealtă electrică.** Distragerile vă pot cauza pierderea controlului.

2) Siguranța electrică

- Ștecherile uneltelor electrice trebuie să se potrivească cu priza. Nu modificați niciodată în nici un fel mufele. Nu folosiți adaptoare de priză cu scule electrice legate de pământ (împământate).** Mufele nemodificate și prizele adecvate reduc riscul șocului electric.
- Evitați contactul corpului cu suprafețele împământate precum țevi, radiatoare, cuptoare și frigidere.** Există un risc mai mare de electrocutare dacă vă este corpul împământat.
- Nu expuneți uneltele electrice la ploaie sau condiții de umezeală.** Apa care pătrunde într-o unealtă electrică va spori riscul de electrocutare.
- Nu manipulați necorespunzător cablul. Nu folosiți niciodată cordonul pentru a purta, a trage sau a deconecta unealta. Feriți cordonul de căl-**

dură, ulei, margini ascuțite sau piese mobile.

Cordoane distruse sau încurcate cresc riscul de electrocutare.

- e) **Atunci când operați o unealtă de lucru în aer liber, utilizați un prelungitor pentru exterior.** Folosirea unui cordon adecvat pentru uzul în aer liber scade riscul de electrocutare.
 - f) **În cazul în care operarea unei unelte electrice într-un spațiu cu umiditate nu poate fi evitată, utilizați o alimentare cu protecție pentru dispozitivele de curent rezidual (RCD).** Utilizarea unui RCD reduce riscul de electrocutare.
- 3) Siguranța personală**
- a) **Fiți precauți, fiți atenți la ceea ce faceți și respectați regulile de bun simț atunci când operați o unealtă electrică. Nu folosiți unealta electrică atunci când sunteți obosit sau sub influența drogurilor, alcoolului sau unui tratament medicamentos.** Un moment de neatenție în timpul operării uneltelor electrice poate cauza vătămări corporale grave.
 - b) **Utilizați echipamentul de protecție corporală. Purtați întotdeauna protecție pentru ochi.** Echipamentul de protecție precum masca de praf, pantofii de protecție antiderapați, casca de protecție sau protecția auzului utilizate în condiții adecvate vor reduce rănilor personale.
 - c) **Preîntâmpinați pornirea accidentală. Asigurați-vă că comutatorul este în poziția-oprit înainte de a vă conecta la sursa de alimentare și / sau la baterie, de a ridica sau purta instrumentul.** Purtarea de unelte electrice ținând degetul pe comutator sau alimentarea uneltelor electrice care au comutatorul pornit duce la accidente.
 - d) **Îndepărtați orice cheie sau clește de reglare înainte de a porni unealta electrică.** Un clește sau o cheie lăsată atașată unei piese rotative a uneltei electrice poate cauza vătămări corporale.
 - e) **Nu vă întindeți pentru a utiliza unealta de lucru. Mențineți-vă întotdeauna stabilitatea și echilibrul.** Acest lucru permite un control mai bun al uneltei electrice în situații neașteptate.
 - f) **Îmbrăcați-vă corespunzător. Nu purtați haine largi sau bijuterii. Țineți-vă părul, îmbrăcămintea și mânușile departe de piesele mobile.** Hainele largi, bijuteriile sau părul lung pot fi prinse în părțile mobile.

- g) **În cazul în care dispozitivele prezintă posibilitatea conectării de accesorii pentru aspirația și colectarea prafului, asigurați-vă că aceste accesorii sunt conectate și utilizate în mod corespunzător.** Utilizarea colectării prafului poate reduce pericolele legate de praf.
- h) **Nu lăsați ca obișnuința obținută prin utilizarea frecventă a uneltelor să vă permită să deveniți impasibil și să ignorați principiile de siguranță în utilizarea uneltelor.** O acțiune neglijentă poate provoca accidente grave într-o fracțiune de secundă.

4) Utilizarea și îngrijirea uneltelor electrice

- a) **Nu forțați unealta electrică. Utilizați unealta electrică adecvată aplicației dvs.** Unealta electrică corectă va face munca mai bine și mai sigur la rata pentru care a fost proiectată.
- b) **Nu utilizați unealta electrică în cazul în care întrerupătorul nu comută în poziția pornit și oprit.** Orice unealtă electrică care nu poate fi controlată cu comutatorul este periculoasă și trebuie reparată.
- c) **Deconectați ștecherul de la sursa de alimentare și/sau acumulatorul de la unealta electrică înaintea efectuării oricăror reglaje, modificării accesoriilor sau depozitării uneltelor electrice.** Aceste măsuri preventive de precauție reduc riscul de pornire accidentală.
- d) **Nu depozitați unelte electrice în stare inactivă la îndemâna copiilor și nu permiteți persoanelor nefamiliarizate cu unealta de lucru sau cu aceste instrucțiuni să o utilizeze.** Unelte electrice sunt periculoase în mâinile utilizatorilor neinstruiți.
- e) **Efectuați întreținerea uneltelor electrice. Verificați alinierea sau configurarea greșită a pieselor mobile, ruperea pieselor și orice alte condiții care ar putea afecta funcționarea uneltei electrice. În cazul deteriorării, reparați unealta electrică înainte de uz.** Multe accidente sunt cauzate de unelte electrice slab întreținute.
- f) **Păstrați unelte de tăiat ascuțite și curate.** Unelte de tăiat corect întreținute cu muchii ascuțite au mai puține șanse să se lege și sunt mai ușor de controlat.
- g) **Utilizați unealta electrică, accesoriile și cuțitele uneltei etc. conform acestor instrucțiuni, ținând cont de condițiile de lucru și de lucrarea ce trebuie să fie efectuată.** Folosirea uneltei

electrice pentru operații diferite decât acelea destinate pot cauza o situație periculoasă.

- h) **Țineți mânerele și suprafețele de prindere uscate, curate și lipsite de ulei și unsoare.** Mânere și suprafețele de prindere alunecoase nu permit manipularea și controlul uneltei în de siguranță în situații neașteptate.

5) Utilizarea și îngrijirea uneltelor cu acumulator

- a) **Reîncărcați folosind exclusiv încărcătorul specificat de către producător.** Dacă un încărcător conceput pentru un anumit tip de acumulatori este folosit cu alt acumulator, acest lucru poate genera risc de incendiu.
- b) **Utilizați uneltele electrice exclusiv împreună cu acumulatorii specificați.** Utilizarea altor acumulatori poate cauza risc de rănire și incendiu.
- c) **Atunci când nu folosiți acumulatorul, păstrați-l ferit de alte obiecte metalice, precum agrafe de birou, monede, chei, cuie, șuruburi sau alte obiecte metalice mici care pot realiza conexiunea între cele două borne.** Scurtcircuitarea bornelor bateriei poate cauza arsuri sau incendiu.
- d) **În condiții de utilizare incorectă, este posibil să fie evacuat lichid din baterie; evitați contactul cu acesta. În cazul în care se produce accidental contactul, clătiți cu apă. Dacă lichidul intră în contact cu ochii, solicitați ajutor medical suplimentar.** Lichidul scurs din acumulator poate cauza iritații sau arsuri.
- e) **Nu folosiți un acumulator sau o unealtă care este deteriorată sau modificată.** Acumulatorii deteriorați sau modificați pot avea un comportament imprevizibil care rezultă în foc, explozie sau risc de rănire.
- f) **Nu expuneți acumulatorul sau unealta la foc sau temperatură excesivă.** Expunerea la foc sau temperaturi de peste 130 °C poate provoca explozie. OBSERVAȚIE Temperatura „130 °C” poate fi înlocuită cu temperatura „265 °F”.
- g) **Respectați toate instrucțiunile de încărcare și reîncărcați acumulatorul sau unealta în afara intervalului de temperatură specificat în instrucțiuni.** Încărcarea necorespunzătoare sau la temperaturi în afara domeniului specificat poate deteriora acumulatorul și poate crește riscul de incendiu.

6) Service

- a) **Prevedeți repararea uneltei de lucru de către o persoană calificată, folosind exclusiv piese**

de schimb identice. Acest lucru va garanta păstrarea în siguranță a uneltei electrice.

- b) **Niciodată nu serviți acumulatorii deteriorați.** Servisarea acumulatorilor ar trebui să fie efectuată numai de către producător sau furnizorii autorizați de service.

AVERTIZĂRI DE SIGURANȚĂ PENTRU FIERĂSTRĂILE TIP SABIE

- **Țineți unealta electrică de suprafețele izolate pentru prindere atunci când efectuați o operație în care accesoriile de debitare pot atinge cabluri ascunse.** Tăierea unui cablu sub tensiune de către accesoriul de debitat ar putea determina scurgerea curentului în componentele metalice expuse ale uneltei electrice și ar putea electrocuta operatorul.
- **Țineți mâinile la distanță de spațiul de tăiere. Nu băgați mâinile sub piesa de lucru.** Contactul cu lama fierăstrăului poate duce la vătămări corporale.
- **Aplicați mașina pe piesa de lucru numai când aceasta este pornită.** În caz contrar, există pericolul de recul atunci când scula de tăiere se blochează în piesa de lucru.
- **În timpul tăierii, placa de bază trebuie să fie întotdeauna orientată către piesa de lucru.** Lama fierăstrăului se poate toci și puteți pierde controlul asupra mașinii.
- **La finalizarea tăierii, opriți mașina și scoateți lama fierăstrăului din tăietură numai după oprire.** Astfel, puteți evita reculul și puteți pune deoparte mașina în siguranță.
- **Utilizați numai lame de fierăstrău nedeteriorate care sunt în stare perfectă.** Lamele de fierăstrău îndoite sau tocite se pot rupe, pot impacta negativ tăietura sau pot provoca recul.
- **Nu opriți lama fierăstrăului aplicând presiune laterală după oprire.** Lama de fierăstrău se poate deteriora, rupe sau poate cauza recul.
- **Utilizați clești sau o altă modalitate practică de a fixa și sprijini piesa de prelucrat pe o platformă stabilă.** Ținând piesa în mână sau sprijinită de corp, aceasta va fi instabilă și poate conduce la pierderea controlului.
- **Utilizați detectoare adecvate pentru a determina dacă liniile de utilități sunt ascunse în zona de lucru sau pentru a solicita asistență companiei locale de utilități.** Contactul cu liniile electrice poate duce la incendii și șocuri electrice. Deteriorarea unei conducte de gaz poate

duce la explozie. Penetrarea unei linii de apă provoacă daune materiale.

- **Atunci când lucrați cu mașina, țineți-o ferm cu ambele mâini și asigurați-vă o poziție sigură.** Scula electrică este mai bine manevrată cu ambele mâini.
- **Fixați piesa de prelucrat.** O piesă de prelucrat prinsă în dispozitive de prindere sau într-o menghină este fixată mai sigur decât cu mâinile.
- **Întotdeauna așteptați până când mașina s-a oprit complet înainte de a așeza jos.** Inserția sculei se poate bloca și poate duce la pierderea controlului asupra unelei electrice.

AVERTISMENTE DE SIGURANȚĂ PENTRU BATERIE

- a) **Nu deschideți bateria.** Pericol de scurtcircuitare.
- b) **Protejați bateria împotriva căldurii, de ex. împotriva expunerii puternice la soare, foc, apă și umiditate.** Pericol de explozie.
- c) **În cazul deteriorării și utilizării necorespunzătoare a bateriei, pot fi emiși vapori. Ventilați zona și solicitați asistență medicală în caz de sesizări.** Vaporii pot irita sistemul respirator.
- d) **Utilizați bateria numai împreună cu produsul dvs. Vonroc.** Numai această măsură protejează bateria împotriva supraîncărcării periculoase.
- e) **Bateria poate fi deteriorată de obiecte ascuțite, cum ar fi cuie sau șurubelnițe sau prin forță aplicată extern.** Poate apărea un scurtcircuit intern și bateria poate arde, exploda sau supraîncălzi.

AVERTISMENTE DE SIGURANȚĂ PENTRU STAȚII DE ÎNCĂRCARE

Domeniul de utilizare

Încărcați doar acumulatorii de tip CD801AA și CD803AA cu încărcătorul. Alte tipuri de acumulatori pot exploda provocând rănire personală și daune.

- a) **Aparatul nu trebuie utilizat de către persoane (inclusiv copii) cu capacități fizice, senzoriale sau mentale reduse, sau de către persoane lipsite de experiență și cunoștințe, cu excepția cazului în care acestea au fost supravegheate și instruite.**
- b) **Nu lăsați copiii nesupravegheați să se joace cu aparatul.**
- c) **Nu reîncărcați bateriile ne-reîncărcabile!**
- d) **În timpul încărcării, acumulatorii trebuie amplasați într-o zonă bine ventilată!**

Instrucțiuni de siguranță privind alimentarea electrică



Verificați întotdeauna ca tensiunea de la alimentarea cu energie să corespundă tensiunii de pe plăcuța cu specificații.

- Nu utilizați aparatul în cazul în care cablul de alimentare sau ștecherul este deteriorat sau defect.
- Folosiți numai cabluri prelungitoare adecvate pentru puterea mașinii cu o grosime minimă de 1,5 mm². Dacă utilizați o bobină de cablu de extensie, derulați întotdeauna complet cablul.

2. INFORMAȚII CU PRIVIRE LA MAȘINĂ

Domeniul de utilizare


Mașina este concepută pentru tăierea lemnului, plasticului și metalului în timp ce placa de bază este ferm așezată pe piesa de lucru. Aceasta este adecvată pentru tăieturile drepte și curbe. De asemenea, este posibil să tăiați la nivel la suprafața piesei de lucru. Trebuie utilizată întotdeauna o lamă de fierăstrău adecvată.


SPECIFICAȚII TEHNICE





Acest manual a fost realizat pentru diferite numere de seturi/articole. Verificați numărul articolului corespunzător în tabelul de specificații de mai jos pentru a vedea compoziția și conținutul exact al setului.

Nr. model	Acumulatori inclus	Încărcătoare inclus
RS501DC	-	-
S_RS501DC	CD801AA	CD802AA
S2_RS501DC	2 x CD801AA	CD802AA
S3_RS501DC	CD803AA	CD802AA
S4_RS501DC	CD801AA	CD802AA

Informații despre mașină	
Tensiune nominală	20 V 
Turație la mers în gol	0-2800/min
Cursa fierăstrăului	22 mm
Capacitate max. de tăiere în lemn	100 mm
Capacitate max. de tăiere în oțel	10 mm
Greutate	1,57 kg
Nivelul presiunii sonore L_{PA}	82,2 dB(A), K=3dB(A)
Nivelul puterii sonore L_{WA}	93,2 dB(A), K=3dB(A)
Vibrații „tăiere grindă de lemn”	16,844 m/s ² K=1,5 m/s ²
Vibrații „tăierea placajului”	18,067 m/s ² K=1,5 m/s ²

Nr. model	CD801AA
Tip acumulator	Litiu ion
Tensiune	20 V 
Capacitate	2,0 Ah
Încărcător recomandat	CD802AA
Greutate	0,3 kg

Nr. model	CD802AA
Intrare încărcător	220-240V, 50Hz 0,4A
Ieșire încărcător	21V  2,5A
Timp de încărcare acumulator 2Ah	60 minute
Timp de încărcare acumulator 4Ah	120 minute
Acumulatori recomandați	CD801AA, CD803AA
Greutate	0,36 kg

Nr. model	CD803AA
Tip acumulator	Litiu ion
Tensiune	20 V 
Capacitate	4,0 Ah
Încărcător recomandat	CD802AA
Greutate	0,65 kg

Utilizați numai următoarele baterii ale platformei VONROC VPOWER 20V. Utilizarea altor baterii poate provoca vătămări corporale grave sau defectarea uneltei.

CD801AA 20 V, 2 Ah Litiu-Ion
CD803AA 20 V, 4 Ah Litiu-Ion

Următorul încărcător al dispozitivului poate fi utilizat pentru a încărca aceste baterii.

CD802AA Încărcător rapid

Bateriile platformei VONROC VPOWER 20V sunt interschimbabile cu toate uneltele VONROC VPOWER 20V.

Nivelul vibrațiilor

Nivelul emisiilor de vibrații menționat în acest manual de instrucțiuni a fost măsurat în conformitate cu un test standardizat precizat în EN 62841; poate fi folosit pentru a compara o sculă cu alta și ca evaluare preliminară a expunerii la vibrații atunci când folosiți scula pentru aplicațiile menționate.

- Utilizarea sculei pentru aplicații diferite sau cu accesorii diferite și prost întreținute, poate crește semnificativ nivelul de expunere.
- Momentele în care scula este oprită sau când funcționează dar nu execută nicio lucrare, pot reduce semnificativ nivelul de expunere.

Protejați-vă împotriva efectelor vibrațiilor prin întreținerea sculei și a accesoriilor sale, păstrând mâinile calde și organizând procesele de lucru.

DESCRIERE

Numerele din text se referă la diagramele de la paginile 2-4.

1. Buton blocare
2. Buton pornire/oprire
3. Parte de manipulare
4. Baterie
5. Buton deblocare acumulator
6. Mâner auxiliar
7. Placă de bază
8. Mandrină
9. Manetă de prindere
10. Cheie hexagonală
11. Șuruburi placă de bază
12. Lumină de lucru
13. Buton indicator cu LED pentru acumulator
14. Indicatori acumulator LED
15. Încărcător
16. Indicatori LED încărcător

3. ASAMBLAREA



Înainte de orice lucrare asupra uneltei, decuplați bateria.



Înainte de prima utilizare, acumulatorul trebuie să fie încărcat.

Introducerea acumulatorului în mașină (Fig. A, F)



Asigurați-vă că exteriorul acumulatorului este curat și uscat înainte de a îl conecta la acumulator sau la mașină.

1. Introduceți bateria (4) în suportul mașinii, așa cum este indicat în Fig. F.
2. Apăsăți acumulatorul până când se fixează în poziție.

Scoaterea acumulatorului din mașină (Fig. A, F)

1. Apăsăți butonul de deblocare a acumulatorului (5)
2. Trageți acumulatorul din aparat, așa cum este indicat în Fig. F.

Verificarea nivelului de încărcare a acumulatorului (Fig. G)

- Pentru a verifica nivelul de încărcare a acumulatorului, apăsați scurt butonul (13) de pe acumulator.
- Acumulatorul este prevăzut cu 3 lumini care indică nivelul de încărcare, numărul de lumini aprinse semnifică gradul de încărcare a bateriei.
- Atunci când luminile sunt stinse, acest lucru semnifică faptul că acumulatorul este descărcat și trebuie încărcat imediat.

Încărcarea acumulatorului folosind încărcătorul (Fig. G)

1. Scoateți acumulatorul (4) din mașină.
2. Întoarceți invers acumulatorul (4) și împingeți-l în încărcător (15), așa cum este indicat în Fig. G.
3. Apăsăți acumulatorul până când este introdus complet în locaș.
4. Conectați mufa încărcătorului la o priză electrică și așteptați o perioadă. Indicatorii LED de pe încărcător (16) se vor aprinde și vor indica nivelul de încărcare.

Încărcătorul are 2 indicatori LED (16), care indică nivelul procesului de încărcare:

LED roșu de stare	LED verde de stare	Stare încărcător
Oprit	Oprit	Fără alimentare
Oprit	Pornit	Mod de așteptare: - Nu este niciun acumulator introdus sau, - Acumulator introdus dar încărcarea s-a sfârșit
Pornit	Oprit	Încărcare acumulator în progres

- Încărcarea completă a acumulatorului de 2Ah poate dura până la 60 minute.
- Încărcarea completă a acumulatorului de 4Ah poate dura până la 120 minute.

După încărcarea completă a acumulatorului, scoateți mufa încărcătorului din priză și îndepărtați acumulatorul din încărcător.



Atunci când nu folosiți mașina, este indicat să depozitați acumulatorul în stare încărcată.

Înlocuirea lamei de fierăstrău (Fig. A, C)



La montarea lamei de fierăstrău, purtați mănuși de protecție. Pericol de rănire atunci când atingeți lama ferăstrăului.



Utilizați numai lame care corespund datelor caracteristice din instrucțiunile de operare.

Montarea lamei de ferăstrău



Asigurați-vă că suportul lamei nu prezintă reziduuri de material (cum ar fi așchii de lemn sau metal).

1. Rotiți maneta de prindere (9) cât mai mult posibil spre stânga și mențineți-o în această poziție.
2. Introduceți lama de fierăstrău în mandrină (8). Verificați dacă lama de fierăstrău este fixată în siguranță, iar dinții sunt îndreptați în jos.
3. Eliberați maneta de prindere. Verificați dacă lama de fierăstrău este fixată în poziție.

Asigurați-vă că utilizați lama adecvată pentru tipul de material respectiv. Alături de mașina este

inclusă o lamă pentru tăiere grosieră pentru lemn și o lamă pentru tăiere fină pentru metal și plastic.

Îndepărtarea lamei de ferăstrău

1. Rotiți maneta de prindere (9) cât mai mult posibil spre stânga și mențineți-o în această poziție.
2. Scoateți lama de ferăstrău din mandrină (8).
3. Eliberați maneta de prindere.

4. UTILIZAREA

Pornirea/oprirea mașinii (Fig. A)

Comutatorul de pornire/oprire (2) este utilizat pentru acționarea mașinii și reglarea vitezei.

- Pentru a porni mașina, apăsați și mențineți apăsat butonul de blocare (1) și apăsați butonul de pornire/oprire (2).
- Cu cât este mai apăsat comutatorul de pornire/oprire (2), cu atât lama se va mișca mai repede. Viteza necesară depinde de material și poate fi determinată prin teste practice.
- Pentru a opri mașina, eliberați comutatorul de pornire/oprire (2).

Reglarea plăcii de bază (Fig. B)

Datorită mobilității sale, unghiul plăcii de bază (7) se adaptează la piesa de lucru. În plus, lungimea plăcii de bază se poate ajusta în funcție de adâncimea de tăiere necesară.

1. Slăbiți șuruburile plăcii de bază (11) folosind cheia hexagonală (10) furnizată.
2. Ajustați placa de bază (7).
3. Strângeți șuruburile plăcii de bază (11) folosind cheia hexagonală (10) furnizată. Este posibil să depozitați cheia hexagonală în mașină, așa cum este indicat în Fig. B.

Decuparea (Fig. D)

Decuparea se poate realiza numai pe materialele moi, cum ar fi lemn, beton aerat, plăci din gips, etc. Cu toate acestea, acest lucru necesită o anumită practică și este posibil numai cu lame de ferăstrău scurte.

1. Așezați fierăstrăul pe piesa de lucru și porniți-l.
2. Asigurați-vă că marginea inferioară a plăcii se sprijină pe suprafața piesei de lucru așa cum este indicat.
3. Începeți să tăiați încet în piesa de lucru la un unghi, deplasând ferăstrăul într-o poziție verticală și continuați să tăiați de-a lungul liniei de tăiere.

4. Opriți fierăstrăul și ridicați piesa de lucru la finalizarea sarcinii.

Tăiere la nivel (Fig. E)

Lamele elastice bimetalice vă permit să tăiați obiecte proeminente (de ex. conducte de apă, țevi de fier, etc.) din paropierea unui perete.

1. Aplicați lama fierăstrăului direct pe zid și îndoiți puțin astfel încât placa să se sprijine de zid. Aveți grijă ca lama să fie mai lungă de diametrul materialul utilizat.
2. Porniți mașina și tăiați piesa de lucru menținând o presiune laterală constantă pe zid.

Utilizare optimă

- Reglați lama și cursa astfel încât să fie adecvate materialului de procesat. Pentru curbele cu rază dreaptă, cel mai bine este să folosiți o lamă de fierăstrău îngustă. Aplicați agent de răcire sau lubrifiant pentru a reduce efectul de vibrație generat de-a lungul liniei de tăiere la tăierea metalului.
- Verificați dacă placa de lemn, plăcile aglomerate și materialele de construcție etc. prezintă materiale dure (de exemplu, cuie, șuruburi, etc.) înainte de tăiere și îndepărtați-le dacă este necesar.
- Prindeți bine materialul. Nu susțineți piesa de lucru cu mâna sau piciorul. Nu atingeți obiectele sau podeaua cu fierăstrăul în funcțiune (pericol de recul).
- Așezați placa pe suprafața piesei de lucru și tăiați cu presiune de contact constantă sau cu un avans constant. Dacă lama se blochează, opriți mașina. Lărgiți spațiul cu o unealtă adecvată și scoateți lama fierăstrăului.
- După finalizarea lucrării, deconectați mașina și scoateți-o numai după ce s-a oprit complet.

5. ÎNTREȚINEREA



Înainte de curățare și întreținere, opriți alimentarea electrică a mașinii și scoateți acumulatorul din mașină.

Curățați regulat carcasa cu o cârpă moale, de preferat după fiecare utilizare. Curățați fantele de aerisire de praf și murdărie. Îndepărtați murdăria persistentă cu o cârpă moale înmuiată în clăbuci de săpun. Nu folosiți solvenți precum benzină, alcool, amoniac, etc. Astfel de substanțe chimice vor deteriora componentele sintetice.

MEDIU



Aparatele electrice sau electronice deteriorate și/sau defecte trebuie colectate în locurile de reciclare corespunzătoare.

Numai pentru țările din CE

Nu aruncați echipamentele acționate electric împreună cu gunoiul menajer. Conform Indicației europene 2012/19/CE pentru echipamente electrice și electronice uzate și a implementării sale la nivel național, echipamentele acționate electric scoase din uz trebuie colectate separat și evacuate într-o manieră ecologică.

GARANȚIE

Produsele VONROC sunt realizate la cele mai înalte standarde de calitate și sunt garantate în privința materialelor și a manoperei pentru întreaga perioadă de utilizare în garanție, începând cu data achiziției. În cazul în care produsul prezintă defecțiuni în perioada de garanție din cauza materialului defect și/sau a manoperei, contactați direct VONROC.

Următoarele circumstanțe sunt excluse de la această garanție:

- Reparațiile sau modificările care realizate sau care s-au încercat a fi efectuate de centre de service neautorizate;
- Uzura în condiții normale de utilizare;
- Unealta care a fost abuzată, utilizată într-un mod neglijent sau întreținută în mod inadecvat;
- Folosirea unor piese de schimb neoriginale.

Aceasta acoperă garanția companiei, explicită sau implicită. Nu există alte garanții explicite sau implicite care să se extindă dincolo de cele indicate aici, incluzând garanțiile, vandabilitatea sau adecvarea pentru un anumit scop. În nicio situație, VONROC nu este responsabil pentru daunele incidentale sau consecvențiale. Reparațiile efectuate de reprezentant trebuie să fie limitate la reparațiile sau la înlocuirea unităților sau a pieselor neconforme.

Produsul și manualul de utilizare pot suferi modificări. Specificațiile se pot modifica fără notificare prealabilă.

1. INSTRUÇÕES DE SEGURANÇA

Leia os avisos de segurança fornecidos, os avisos de segurança adicionais e as instruções. O não cumprimento dos avisos de segurança e das instruções pode resultar em choque elétrico, incêndio e/ou ferimentos graves. Guarde os avisos de segurança e as instruções para referência futura.

Os seguintes símbolos são utilizados no manual do utilizador ou no produto:



Leia o manual do utilizador.



Indica o risco de ferimentos, morte ou danos na ferramenta se as instruções indicadas neste manual não forem seguidas.



Os transeuntes, em especial crianças e animais de estimação, devem manter-se a uma distância superior a 10 m.



Use protecção ocular.



Use protecção auricular.



Use uma máscara de poeiras.



Área de perigo! Mantenha as mãos afastadas (10 cm) da área de corte enquanto a máquina estiver em funcionamento. Há o risco de ferimentos se entrar em contacto com a lâmina da serra.



Apenas para utilização no interior.



Máquina de classe II - isolamento duplo - Não é necessária uma ficha de ligação à terra.



Fusível miniatura com desfasamento.



Temperatura máx. de 45 °C.



Não deite a bateria no fogo.



Não coloque a bateria dentro de água.



Recolha selectiva para bateria de iões de lítio.



O produto está em conformidade com as normas de segurança aplicáveis nas directivas europeias.

AVISOS GERAIS DE SEGURANÇA SOBRE A FERRAMENTA ELÉCTRICA



AVISO! Leia todos os avisos de segurança e instruções. O não cumprimento dos avisos de segurança e as instruções podem resultar em choque eléctrico, incêndio e/ou ferimentos graves.

Guarde todos os avisos e instruções para referência futura.

O termo "ferramenta eléctrica" indicado nos avisos diz respeito à ferramenta eléctrica com alimentação pela rede (com fio) ou por bateria (sem fio).

1) Segurança na área de trabalho

- Mantenha a área de trabalho limpa e devidamente iluminada.** As áreas obstruídas ou escuras são propícias para acidentes.
- Não utilize ferramentas eléctricas em atmosferas explosivas, por exemplo, na presença de líquidos inflamáveis, gases ou poeiras.** As ferramentas eléctricas produzem faíscas que podem causar ignição de poeiras ou vapores.
- Quando utilizar uma ferramenta eléctrica, mantenha as crianças e transeuntes afastados.** As distrações podem causar perda de controlo.

2) Segurança eléctrica

- As fichas da ferramenta eléctrica devem corresponder à tomada. Nunca modifique, de forma alguma, a ficha. Não utilize quaisquer fichas adaptadoras com ferramentas eléctricas ligadas à terra (massa).** As fichas e tomadas correspondentes não modificadas reduzem o risco de choque eléctrico.
- Evite o contacto do corpo com superfícies ligadas à terra ou massa, como tubos, radiadores, fogões ou frigoríficos.** Há um maior risco de choque eléctrico se o corpo estiver ligado à terra ou à massa.
- Não exponha as ferramentas eléctricas à chuva ou a ambientes húmidos.** A entrada de água numa ferramenta eléctrica aumenta o risco de choque eléctrico.

- Não utilize o cabo de maneira abusiva. Nunca utilize o cabo para transportar, puxar ou desligar a ferramenta eléctrica. Mantenha o cabo afastado de fontes de calor, óleo, extremidades afiadas ou peças móveis.** Cabos danificados ou enrolados aumenta o risco de choque eléctrico.
- Quando utilizar uma ferramenta eléctrica no exterior, opte por uma extensão adequada para utilização no exterior.** A utilização de um cabo adequado para utilização no exterior reduz o risco de choque eléctrico.
- Se não for possível evitar trabalhar com uma ferramenta eléctrica num local húmido, utilize uma fonte de alimentação protegida por um dispositivo de corrente residual (DCR).** A utilização de um DCR reduz o risco de choque eléctrico.

3) Segurança eléctrica

- Esteja atento, preste atenção ao que está a fazer e tenha senso comum quando utilizar uma ferramenta eléctrica. Não utilize uma ferramenta eléctrica quando estiver cansado ou sob o efeito de drogas, álcool ou medicamentos.** Um momento de distração durante a utilização de ferramentas eléctricas pode resultar em ferimentos graves.
- Use equipamento de protecção individual. Use sempre protecção ocular.** O equipamento de protecção, como, por exemplo, máscara de poeiras, sapatos de segurança antiderrapantes, capacete de segurança ou protecção auditiva, utilizado nas condições adequadas, reduz o risco de ferimentos.
- Evite accionamentos acidentais. Assegure-se de que o gatilho está desligado antes de ligar a ferramenta à corrente eléctrica e/ou as baterias e antes de levantar ou transportar a ferramenta.** O transporte de ferramentas eléctricas com o dedo colocado no interruptor ou a ligação à corrente das ferramentas eléctricas com o interruptor ligado pode dar origem a acidentes.
- Retire eventuais chaves de ajuste ou chaves de fendas antes de ligar a ferramenta eléctrica.** Uma chave de fenda ou de ajuste montada numa peça rotativa da ferramenta eléctrica pode causar ferimentos.
- Não tente chegar a pontos fora do alcance. Mantenha-se sempre numa posição firme e bem equilibrada.** Desta forma, será mais fácil

controlar a ferramenta eléctrica em situações inesperadas.

- f) **Use vestuário adequado. Não use roupa larga ou jóias. Mantenha o cabelo, a roupa e as jóias afastados das peças móveis.** As roupas largas, as jóias ou o cabelo comprido podem ficar presos nestas peças.
 - g) **Se for prevista a montagem de dispositivos de extracção e recolha de poeiras, assegure-se de que estão ligados e que são utilizados de forma correcta.** A utilização de dispositivos de extracção de poeiras pode reduzir os riscos inerentes.
 - h) **Não permita que a familiaridade obtida através do uso frequente de ferramentas faça com que seja complacente e ignore os princípios de segurança da ferramenta.** Uma acção irreflectida pode causar ferimentos graves numa fracção de segundos.
- 4) Utilização e cuidados a ter com a ferramenta com baterias**
- a) **Não sobrecarregue a ferramenta eléctrica. Utilize a ferramenta eléctrica correcta para o seu trabalho.** A ferramenta eléctrica adequada efectua o trabalho de maneira mais eficiente e segura se for utilizada de acordo com a capacidade para a qual foi concebida.
 - b) **Não utilize a ferramenta eléctrica se não conseguir ligar ou desligar o gatilho.** Qualquer ferramenta eléctrica que não possa ser controlada através do gatilho é perigosa e tem de ser reparada.
 - c) **Retire a ficha da fonte de alimentação e/ou a bateria da ferramenta eléctrica, caso seja possível fazê-lo, antes de efectuar quaisquer ajustes, substituir acessórios ou guardar ferramentas eléctricas.** Estas medidas de segurança preventivas reduzem o risco de ligar a ferramenta eléctrica acidentalmente.
 - d) **Mantenha as ferramentas eléctricas que não estiverem a ser utilizadas fora do alcance das crianças. Não permita que a ferramenta eléctrica seja utilizada por pessoas não familiarizadas com a mesma ou que não tenham lido estas instruções.** As ferramentas eléctricas são perigosas nas mãos de pessoas que não possuam as qualificações necessárias para manuseá-las.
 - e) **Faça a manutenção das ferramentas eléctricas. Verifique se as peças móveis da ferramenta eléctrica estão alinhadas e não emperram, bem como se existem peças partidas ou danificadas**

ou quaisquer outras condições que possam afectar o funcionamento da mesma. Se a ferramenta eléctrica estiver danificada, esta não deve ser utilizada até que seja reparada. Muitos acidentes têm como principal causa ferramentas eléctricas com uma manutenção insuficiente.

- f) **Mantenha as ferramentas de corte afiadas e limpas.** As ferramentas de corte sujeitas a uma manutenção adequada, com arestas de corte afiadas, bloqueiam com menos frequência e controlam-se com maior facilidade.
 - g) **Utilize a ferramenta eléctrica, os acessórios e as peças de ferramenta, etc., de acordo com estas instruções, considerando as condições de trabalho e a tarefa a ser executada.** A utilização da ferramenta eléctrica para fins diferentes dos previstos pode resultar em situações perigosas.
 - h) **Mantenha as pegas e as superfícies de fixação secas, limpas e sem óleo e gordura.** As pegas escorregadias e as superfícies de fixação não permitem o manuseamento seguro e o controlo da ferramenta em situações imprevistas.
- 5) Utilização e cuidados a ter com a ferramenta com baterias**
- a) **Recarregue apenas com o carregador especificado pelo fabricante.** Um carregador adequado para um tipo de bateria pode causar um incêndio se for utilizado com outra bateria.
 - b) **Utilize apenas ferramentas eléctricas que tenham pilhas especificamente concebidas.** A utilização de outro tipo de baterias pode causar lesões e incêndio.
 - c) **Quando não utilizar a bateria, mantenha-a afastada de outros objectos metálicos, tais como cliques para papel, moedas, chaves, pregos, parafusos ou outros pequenos objectos metálicos que permitam fazer a ligação entre um terminal e outro.** O curto-circuito dos terminais da bateria pode causar queimaduras ou um incêndio.
 - d) **Em condições abusivas, pode derramar líquido da bateria, devendo evitar o contacto. Se tocar acidentalmente no líquido, lave bem com água. Se o líquido entrar em contacto com os olhos, consulte um médico.** O líquido derramado da bateria pode causar irritação ou queimaduras.
 - e) **Não utilize baterias ou ferramentas danificadas ou modificadas.** As baterias danificadas ou modificadas podem ter um comportamento

inesperado, resultando em incêndio, explosão ou risco de ferimentos.

- f) **Não exponha as baterias ou as ferramentas a fogo ou a temperaturas excessivas.** A exposição a fogo ou a temperaturas superiores a 130 °C podem causar uma explosão. NOTA: a temperatura “130 °C” pode ser substituída pela temperatura “265 °F”.
- g) **Siga todas as instruções de carregamento e não carregue a bateria ou a ferramenta fora do intervalo de temperaturas especificado nas instruções.** O carregamento inadequado ou de acordo com temperaturas fora do intervalo especificado pode danificar a bateria e aumentar o risco de incêndio.
- 6) **Assistência**
- a) **A sua ferramenta eléctrica só deve ser reparada por pessoal qualificado e só devem ser utilizadas peças sobressalentes idênticas.** Desta forma, é garantida a segurança da ferramenta eléctrica.
- b) **Nunca repare baterias danificadas.** A reparação de baterias deve ser efectuada apenas pelo fabricante ou fornecedores de assistência autorizados.

AVISOS DE SEGURANÇA PARA SERRAS ALTERNADAS

- **Segure a ferramenta eléctrica pelas superfícies de fixação isoladas quando efectuar uma operação em que o acessório de corte possa entrar em contacto com fios ocultos.** Um acessório de corte que entre em contacto com um fio sob tensão eléctrica pode fazer com que as peças de metal expostas da ferramenta conduzam electricidade e electrocutem o utilizador.
- **Mantenha as mãos afastadas do alcance da serra. Nunca manuseie a parte inferior da peça de trabalho.** O contacto com a lâmina da serra pode causar ferimentos.
- **Só deve colocar a máquina em contacto com a peça de trabalho depois de ligá-la.** Caso contrário, há o risco do efeito de recuo se a ferramenta de corte ficar encravada na peça de trabalho.
- **Quando serrar, a placa de apoio deve ficar sempre virada contra a peça de trabalho.** A lâmina da serra pode ficar encravada e causar perda de controlo da máquina.
- **Quando o corte for concluído, desligue a máquina e depois puxe a lâmina da serra para fora**

da área de corte depois de parar por completo.

Assim, pode evitar o efeito de recuo e pode pousar a máquina em segurança.

- **Utilize apenas lâminas de serra não danificadas que estejam em condições perfeitas.** As lâminas de serra dobradas ou embotadas podem partir-se, o que pode afectar o corte ou causar o efeito de recuo.
- **Depois de desligar a ferramenta, não aplique uma pressão lateral para parar a rotação da lâmina da serra.** A lâmina da serra pode ficar danificada, partir-se ou causar o efeito de recuo.
- **Utilize grampos ou outra maneira de fixar e suportar a peça de trabalho numa plataforma estável.** Se segurar a peça de trabalho com a mão ou contra o corpo, a peça pode ficar instável e causar perda de controlo.
- **Utilize detectores adequados para determinar se as linhas de abastecimento de energia estão ocultas na área de trabalho ou contacte a empresa de serviços públicos para obter assistência.** O contacto com linhas eléctricas pode dar origem a um incêndio e choque eléctrico. Os danos numa conduta de gás podem dar origem a uma explosão. A perfuração de uma linha de água causa danos materiais.
- **Quando utilizar a máquina, segure-a sempre com firmeza com ambas as mãos e coloque-se numa posição com firmeza.** A ferramenta eléctrica é orientada de maneira mais firme com ambas as mãos.
- **Fixe a peça de trabalho.** É aconselhável apertar uma peça de trabalho com dispositivos de fixação ou num torno do que fazê-lo à mão.
- **Antes de pousar a máquina, aguarde sempre até esta parar por completo.** O suporte de ferramentas pode encravar e resultar em perda de controlo da ferramenta eléctrica.

AVISOS DE SEGURANÇA SOBRE A BATERIA

- a) **Não abra a bateria.** Perigo de curto-circuito.
- b) **Proteja a bateria do calor, por exemplo, contra exposição contínua a luz solar, fogo, água e humidade.** Perigo de explosão.
- c) **Em caso de danos e uso inadequado da bateria, podem ser emitidos vapores. Ventile a área e contacte um médico se houver queixas.** Os vapores podem irritar o sistema respiratório.
- d) **Utilize a bateria em conjunto com o seu produto industrial da Vonroc.** Esta é a única protecção contra sobrecarga perigosa.

- e) **A bateria pode ser perfurada por objectos danificados como pregos ou chaves de parafusos ou se for aplicada força externa.** Pode ocorrer um curto-circuito interno e a bateria pode queimar, causar fumo, explodir ou sobreaquecer.

o número do artigo correspondente na tabela de especificações indicada abaixo para obter a composição e conteúdos correctos do seu conjunto.

AVISOS DE SEGURANÇA SOBRE O CARREGADOR

Utilização pretendida

Deve utilizar apenas as baterias recarregáveis CD801AA e CD803AA no carregador. Outros tipos de baterias podem rebentar, causando ferimentos e danos.

- a) **O equipamento não deve ser utilizado por pessoas (incluindo crianças) com capacidades físicas, sensoriais ou mentais reduzidas ou com falta de experiência e conhecimentos, a menos que tenham supervisão ou instrução.**
- b) **As crianças devem ser vigiadas, para que não brinquem com o equipamento.**
- c) **Não recarregue pilhas não recarregáveis!**
- d) **Durante o processamento de carregamento, as baterias devem ser colocadas em locais bem ventilados!**

Segurança eléctrica



Verifique sempre se a tensão da fonte de alimentação corresponde à tensão na placa sinalética.

- Não utilize a máquina se o cabo de alimentação ou a ficha estiver danificada.
- Utilize apenas extensões que sejam adequadas para a potência nominal da máquina com uma espessura mínima de 1,5 mm². Se utilizar um enrolador de extensão, desenrole sempre o cabo por completo.

2. INFORMAÇÕES SOBRE A MÁQUINA

Utilização pretendida

A máquina é concebida para serrar madeira, plástico e metal, devendo manter a placa de apoio bem fixada na peça de trabalho. É adequada para cortes rectos e curvos. Pode também fazer cortes alinhados na superfície da peça de trabalho. Deve ser sempre utilizada uma lâmina de serra adequada.

ESPECIFICAÇÕES TÉCNICAS

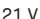



Este manual foi elaborado para conjuntos/ números de artigos diferentes. Verifique

Modelo n.º	Baterias incluídas	Carregadores incluídos
RS501DC	-	-
S_RS501DC	CD801AA	CD802AA
S2_RS501DC	2 CD801AA	CD802AA
S3_RS501DC	CD803AA	CD802AA
S4_RS501DC	CD801AA	CD802AA

Informações sobre a máquina	
Tensão nominal	20 V
Sem velocidade de carga	0 - 2800/min
Curso da serra	22 mm
Capacidade máx. de serragem em madeira	100 mm
Capacidade máx. de serragem em aço	10 mm
Peso	1,57 kg
Nível de pressão sonora L _{PA}	82,2 dB (A), K=3 dB (A)
Nível de potência sonora L _{WA}	93,2 dB (A), K=3 dB (A)
Vibração durante a serragem de vigas de madeira	16,844 m/s ² K=1,5 m/s ²
Vibração durante a serragem de madeira compensada	18,067 m/s ² K=1,5 m/s ²

Modelo n.º	CD801AA
Tipo de bateria	Iões de lítio
Tensão	20 V
Capacidade	2,0 Ah
Carregador recomendado	CD802AA
Peso	0,3 kg

Modelo n.º	CD802AA
Entrada do carregador	220 - 240 V, 50 Hz, 0,4 A
Saída do carregador	21 V  2,5 A
Tempo de carregamento de uma bateria de 2 Ah	60 minutos
Tempo de carregamento de uma bateria de 4 Ah	120 minutos
Baterias recomendadas	CD801AA, CD803AA
Peso	0,36 kg

Modelo n.º	CD803AA
Tipo de bateria	Iões de lítio
Tensão	20 V 
Capacidade	4,0 Ah
Carregador recomendado	CD802AA
Peso	0,65 kg

Utilize apenas as seguintes baterias da plataforma de baterias VONROC VPOWER, 20 V. A utilização de quaisquer outras baterias podem causar ferimentos graves ou danos na ferramenta.

CD801AA Iões de lítio, 20 V, 2 Ah

CD803AA Iões de lítio, 20 V, 4 Ah

O seguinte carregador pode ser utilizado para carregar estas baterias.

CD802AA Carregador rápido

As baterias da plataforma de baterias VPOWER de 20 V da VONROC podem ser utilizadas com todas as ferramentas da plataforma de baterias VPOWER de 20 V da VONROC.

Nível de vibração

O nível de emissão de vibrações indicado neste manual de instruções foi medido em conformidade com um teste padrão especificado pela norma EN 62841; pode ser utilizado para comparar ferramentas e como avaliação preliminar da exposição a vibrações quando utilizar a ferramenta para as aplicações indicadas.

- A utilização da ferramenta para aplicações diferentes, ou com acessórios diferentes ou com uma manutenção deficiente, pode aumentar consideravelmente o nível de exposição.

- O número de vezes que a ferramenta é desligada ou está ligada, mas não está a ser utilizada, pode reduzir significativamente o nível de exposição.

Proteja-se contra os efeitos da vibração, através de uma manutenção da ferramenta e dos respectivos acessórios, mantendo as mãos quentes e organizando os seus padrões de trabalho.

DESCRIÇÃO

Os números indicados no texto dizem respeito aos diagramas nas páginas 2 e 4.

1. Botão de desbloqueio
2. Botão para ligar/desligar
3. Pega
4. Bateria
5. Patilha de desbloqueio da bateria
6. Pega auxiliar
7. Placa de apoio
8. Mandril
9. Alavanca de fixação
10. Chave hexagonal
11. Parafusos da placa de apoio
12. Luz de trabalho
13. Botão dos indicadores LED da bateria
14. Indicadores LED da bateria
15. Carregador
16. Indicadores LED do carregador

3. MONTAGEM



Retire a bateria antes de efectuar qualquer tarefa na ferramenta eléctrica.



A bateria deve ser carregada antes de utilizá-la pela primeira vez.

Inserir a bateria na máquina (Fig. A, F)



Assegure-se de que o exterior da bateria está limpo e seco antes de ligá-lo ao carregador ou máquina.

1. Insira a bateria (4) na base da máquina, como indicado na Fig. F.
2. Empurre a bateria ainda mais até encaixar no respectivo local.

Retirar a bateria da máquina (Fig. A, F)

1. Carregue na patilha de desbloqueio da bateria (5)
2. Retire a bateria da máquina, como indicado na Fig. F.

Verificar o estado de carregamento da bateria (Fig. G)

- Para verificar o estado de carga da bateria, prima ligeiramente o botão (13) na bateria.
- A bateria 3 indicadores luminosos que mostram o nível de carga, quanto maior for o número de indicadores luminosos acesos, maior é a carga restante na bateria.
- Se os indicadores luminosos não se acenderem, isso significa que a bateria não tem carga e que deve carregá-la de imediato.

Carregar a máquina com o carregador (Fig. G)

1. Retire a bateria (4) da máquina.
2. Vire a bateria (4) ao contrário e deslize-a para dentro do carregador (15) como indicado na Fig. G.
3. Empurre a bateria até estar totalmente encaixada na ranhura.
4. Ligue a ficha do carregador numa tomada eléctrica e aguarde alguns instantes. Os indicadores LED no carregador (16) acendem-se e mostram o estado de carregador.

O carregador tem 2 indicadores LED (16), que indicam o estado do processo de carregamento:

Estado do LED vermelho	Estado do LED verde	Estado do carregador
Desligado	Desligado	Sem energia
Desligado	Ligado	Modo de espera: - A bateria não foi inserida ou - a bateria foi inserida, mas o carregamento foi concluído
Ligado	Desligado	Carregamento da bateria em curso

- O carregamento total da bateria de 2 Ah pode demorar até cerca de 60 minutos.
- O carregamento total da bateria de 4 Ah pode demorar até cerca de 120 minutos.

Quando a bateria estiver totalmente carregada, retire a ficha do carregador da tomada e retire a bateria do carregador.



Se não utilizar a máquina durante um período de tempo mais prolongado, é aconselhável armazenar a bateria no estado carregado.

Substituir a lâmina da serra (Fig. A, C)



Quando montar a lâmina da serra, use luvas de protecção. Há o risco de ferimentos se tocar na lâmina da serra.



Utilize apenas lâminas da serra de acordo com os dados de características indicados nas instruções de funcionamento.

Montar a lâmina da serra



O suporte da lâmina não deve ter quaisquer resíduos de material (como, por exemplo, farpas de madeira ou metal).

1. Rode a alavanca de fixação (9) o máximo possível para a esquerda e segure-a nesta posição.
2. Insira a lâmina da serra no mandril (8). Verifique se a lâmina da serra está bem fixada e se os dentes estão a apontar para baixo.
3. Liberte a alavanca de fixação. Verifique se a lâmina da serra está fixada no respectivo local.

Deve utilizar a lâmina da serra do material correspondente. A máquina inclui uma lâmina de serra grossa para madeira e uma lâmina de serra fina para metal e plástico.

Retirar a lâmina da serra

1. Rode a alavanca de fixação (9) o máximo possível para a esquerda e segure-a nesta posição.
2. Retire a lâmina da serra do mandril (8).
3. Liberte a alavanca de fixação.

4. FUNCIONAMENTO

Ligar/desligar a máquina (Fig. A)

O interruptor para ligar/desligar (2) é utilizado para activar a máquina e regular a velocidade.

- Para ligar a máquina, mantenha o botão de desbloqueio (1) premido e, em seguida, prima o botão para ligar/desligar (2).

- Quanto mais pressionar o interruptor para ligar/desligar (2), maior é a velocidade da lâmina. A velocidade necessária depende do material e pode ser determinada por ensaios práticos.
- Para parar a máquina, liberte o interruptor para ligar/desligar (2).

Regular a placa de apoio (Fig. B)

Devido à respectiva mobilidade, o ângulo da placa de apoio (7) adapta-se à peça de trabalho. Além disso, o comprimento da placa de base pode ser ajustada de acordo com a profundidade de serra necessária.

1. Desaperte os parafusos da placa de apoio (11) com a chave hexagonal (10) fornecida.
2. Ajuste a placa de apoio (7).
3. Aperte os parafusos da placa de apoio (11) com a chave hexagonal (10) fornecida. É possível armazenar a chave hexagonal na máquina, como indicado na Fig. B.

Corte longitudinal (Fig. D)

O corte longitudinal só pode ser utilizado em materiais macios, como madeira, betão arejado, placas de gesso, etc. No entanto, isto requer alguma prática e é possível apenas com lâmina de serra curtas.

1. Coloque a serra sobre a peça de trabalho e ligue-a.
2. Verifique se a extremidade inferior da plataforma fica assente na superfície da peça de trabalho, como indicado.
3. Serre lentamente a serra na lâmina em ângulo, movendo a serra para uma posição vertical e continue a serrar ao longo da linha de corte.
4. Desligue a serra e levante a peça de trabalho quando a tarefa estiver concluída.

Corte alinhado (Fig. E)

As lâminas de bimetálico flexíveis permitem-lhe serrar objectos salientes (por exemplo, condutas de água, barras de ferro, etc.) perto da parede.

1. Aplique a lâmina da serra na parede e dobre-a ligeiramente para que a plataforma fique encostada à parede. Tenha em atenção que a lâmina da serra estica-se sempre para além do diâmetro do material que está a ser cortado.
2. Ligue a máquina e serre a peça de trabalho, mantendo uma pressão lateral constante contra a parede.

Utilização adequada

- Ajuste a lâmina da serra e a velocidade de curso para adequar-se ao material que vai ser processado. Para curvas com um raio adequado, é aconselhável utilizar uma lâmina de serra estreita. Aplique líquido de refrigeração ou um lubrificante para lidar com as variações produzidas ao longo da linha de corte quando serrar metal.
- Verifique se a madeira, aglomerados de partículas, materiais de construção, etc., têm materiais duros (pregos, parafusos, etc.), antes de serrá-los ou removê-los, se necessário.
- Fixe bem o material. Não suporte a peça de trabalho com as mãos ou os pés. Não toque em objectos ou no chão com a serra em funcionamento (perigo de recuo).
- Coloque a plataforma na superfície da peça de trabalho e serre-a com uma pressão de contacto ou inserção constante. Se a lâmina da serra bloquear, desligue a máquina de imediato. Aumente a folga com uma ferramenta adequada e retire a lâmina da serra.
- Quando terminar o trabalho, desligue a máquina e pouse-a apenas depois de parar por completo.

5. MANUTENÇÃO



Antes de efectuar a limpeza e a manutenção, desligue sempre a máquina e retire a bateria da máquina.

Limpe a carcaça da máquina com regularidade com um pano macio, de preferência após cada utilização. Certifique-se de que as aberturas de ventilação não têm pó ou sujidade. Retire a sujidade muito persistente com um pano macio humedecido com água de sabão. Não utilize solventes, como gasolina, álcool, amoníaco, etc. Este tipo de produtos químicos danificam os componentes sintéticos.

AMBIENTE



Os equipamentos eléctricos ou electrónicos defeituosos e/ou eliminados devem ser recolhidos em locais de reciclagem adequados.

Apenas para os países da CE

Não elimine as ferramentas eléctricas em conjunto com os resíduos domésticos. De acordo com a directiva europeia 2012/19/CE sobre resíduos de equipamentos eléctricos e electrónicos e a respectiva implementação na legislação nacional, as ferramentas eléctricas que já não sejam utilizadas devem ser recolhidas em separado e eliminadas de maneira ecológica.

GARANTIA

Os produtos da VONROC são desenvolvidos de acordo com os padrões de qualidade mais elevados e não apresentam quaisquer defeitos em termos de materiais e mão-de-obra em relação ao período estipulado por lei, cujo início é a partir da data de compra original. Se o produto apresentar qualquer falha durante este período devido a qualquer defeito de material e/ou de mão-de-obra, contacte a VONROC directamente.

As seguintes circunstâncias estão excluídas desta garantia:

- Se forem efectuadas ou tentadas quaisquer reparações e/ou alterações na máquina por centros de assistência não autorizados;
- Desgaste normal;
- Se a ferramenta foi utilizada de maneira abusiva, indevida ou a manutenção for efectuada de maneira incorrecta;
- Se forem utilizadas peças sobresselentes não originais.

Isto constitui a única garantia feita pela empresa, de maneira expressa ou implícita. Não existem quaisquer outras garantias expressas ou implícitas que se prolonguem, incluindo as garantias implícitas de comercialização e adequação para fins específicos. A VONROC não será, em nenhuma circunstância, responsável por danos incidentais ou indirectos. Os fornecedores devem estar limitados a reparar ou substituir as unidades ou peças que não estejam em conformidade.

O equipamento e o manual do utilizador estão sujeitos a alterações sem aviso prévio. As especificações podem ser alteradas sem aviso prévio.

1. BIZTONSÁGI UTASÍTÁSOK

Olvassa el az összes mellékelt biztonsági figyelmeztetést. A figyelmeztetések és utasítások be nem tartása áramütéshez, tűz keletkezéséhez vagy akár súlyos személyi sérüléshez vezethet. Őrizze meg a biztonsági figyelmeztetéseket és utasításokat későbbre is.

A használati útmutatóban és a terméken a következő jelölésekkel találkozhat:



Olvassa el a használati útmutatót.



Jelzi a személyi sérülések, az életveszély vagy a szerszám károsodásának veszélyét.



Ügyeljen rá, hogy a közelben tartózkodók, különösen a gyermekek és a kisállatok legalább 10 méteres távolságot tartsanak a berendezéstől.



Viseljen védőszemüveget.



Viseljen fülvédőt.



Viseljen porvédő álarcot.



Veszélyes terület! A kezeket tartsa a vágási területtől biztonságos (legalább 10 cm) távolságban, amikor a gép működésben van. A fűrészlap megérintése súlyos személyi sérülést eredményezhet.



Csak beltéri használatra.



II. osztályú gép - Dupla szigetelés - Nincs szükség dugóra.



Késleltető miniatűr olvadóbetét.



Max hőmérséklet 45°C.



Az akkumulátort tűzbe dobni tilos.



Az akkumulátort vízbe dobni tilos.



Li-ion akkumulátor szelektív gyűjtése.



A termék megfelel az európai irányelvek releváns biztonsági követelményeinek.

AZ ELEKTROMOS SZERSZÁMOKRA VONATKOZÓ ÁLTALÁNOS BIZTONSÁGI FIGYELMEZTETÉSEK



FIGYELMEZTETÉS! Olvasson el minden biztonsági figyelmeztetést és utasítást.

A figyelmeztetések és az utasítások be nem tartása áramütéshez, tűz keletkezéséhez vagy akár súlyos személyi sérüléshez vezethet.

Az összes figyelmeztetést és utasítást őrizze meg, mert később még szüksége lehet rájuk.

A figyelmeztetésekben szereplő „elektromos szerszám” kifejezés az Ön hálózatról működő (vezeték) elektromos szerszámára vagy akkumulátorral működő (vezeték nélküli) elektromos szerszámára utal.

1) A munkaterület biztonsága

- a) **Gondoskodjon a munkaterület tisztaságáról és megfelelő megvilágításáról.** A rendezetlen és sötét területeken valószínűbb a balesetek előfordulása.
- b) **Ne használja az elektromos szerszámokat robbanásveszélyes légtérben, például ahol gyúlékony folyadékok, gázok vagy por vannak jelen.** Az elektromos szerszámok használata során keletkező szikra lángra lobbanthatja a port és füstöt.
- c) **Az elektromos szerszám használata során a gyermekeket és a közelben tartózkodó személyeket tartsa távol a munkaterülettől.** Ha valami eltereli a figyelmét, elveszítheti az irányítást.

2) Elektromos biztonság

- a) **Az elektromos szerszám dugóinak megfelelőnek kell lenniük az aljzathoz. Soha ne próbálja semmilyen módon módosítani a dugót. Földelt elektromos szerszámokhoz ne használjon semmilyen adapterdugót.** Az eredeti (értsd: módosítás nélküli) dugók és megfelelő hálózati aljzatok használatával mérsékelhető az elektromos áramütés veszélye.
- b) **Ügyeljen arra, hogy teste ne érintkezzen földelt felületekkel, például csövezetékkel, radiátorral, tűzhellyel vagy hűtőszekrényel.** Ha teste földelődik, megnő az áramütés kockázata.
- c) **Óvja az elektromos szerszámokat az esőtől és nedves környezettől.** Az elektromos szerszám-

ba kerülő víz növeli az elektromos áramütés veszélyét.

- d) **Ne használja helytelenül (nem előírászerűen) a kábelt. A kábelt soha ne használja az elektromos szerszám hordozására, húzására vagy az aljzathoz történő kihúzására. A kábelt tartsa távol hőforrásoktól, olajtól, hegyes élektől és mozgó alkatrészekről.** A sérült vagy megtekeredett kábelek növelik az elektromos áramütés veszélyét.
 - e) **Az elektromos szerszám kültéri használata esetén kültéri használatra alkalmas hosszabító kábelt használjon.** A kültéri használatra alkalmas kábel használatával mérsékelhető az elektromos áramütés veszélye.
 - f) **Ha az elektromos szerszámot mindenképpen nedves környezetben kell használni, akkor használjon áramvédő kapcsolóval (RCD) ellátott tápforrást.** Az áramvédő kapcsolóval ellátott tápforrás használatával mérsékelhető az elektromos áramütés veszélye.
- ### 3) Személyi biztonság
- a) **Az elektromos szerszám használata során maradjon éber, koncentráljon az éppen végzett műveletre és használja a józan ítélőképességét. Ha fáradt, vagy ha kábítószert, alkoholt vagy gyógyszer hatása alatt áll, ne használjon elektromos szerszámot.** Az elektromos szerszámok használata közben egyetlen pillanatnyi figyelmetlenség is súlyos személyi sérülést okozhat.
 - b) **Használjon egyéni védőfelszerelést. Mindig viseljen szemvédő felszerelést.** A megfelelő körülményekhez való védőeszközökkel (például pormaszkkal, csúszásgátló biztonsági cipővel, munkavédelmi sisakkal vagy hallásvédő eszközzel) csökkenthető a személyi sérülések kockázata.
 - c) **Gondoskodjon a gép véletlen elindulásának a megelőzéséről. A szerszám tápforráshoz és/vagy akkumulátorcsomaghoz történő csatlakoztatása, kézbevétele vagy hordozása előtt győződjön meg róla, hogy a kapcsoló OFF (kikapcs.) állásban van.** Ha úgy hordozza az elektromos szerszámot, hogy az ujjá a kapcsolón van, vagy úgy helyezi feszültség alá az elektromos szerszámot, hogy a kapcsolója ON (bekapcs.) helyzetben van, ez növeli a balesetek kockázatát.
 - d) **Az elektromos szerszám bekapcsolása előtt távolítsa el a csavarkulcsokat vagy beállító**

- kulcsokat.** Az elektromos szerszám forgó alkatrészein felejtett csavarkulcs vagy beállító kulcs személyi sérülést okozhat.
- e) **Ne próbáljon túlnyújtva vagy kitekeredett testhelyzetben dolgozni. Mindig két lábbal, egyensúlyban álljon a talajon.** Így könnyebben tudja irányítani az elektromos szerszámot a váratlan helyzetekben.
- f) **Viseljen megfelelő öltözetet. Ne viseljen laza ruhát vagy ékszert. Haját, ruháját és kesztyűjét tartsa távol a mozgó alkatrészekről.** A mozgó alkatrészek behúzhatják a ruhákat, az ékszereket és a hosszú haját.
- g) **Ha a szerszámhoz porelszívó és porgyűjtő eszköz is lehet csatlakoztatni, akkor gondoskodjon ezek csatlakoztatásáról és megfelelő használatáról.** A porgyűjtő rendszerek használatával csökkenthetők a porral kapcsolatos veszélyek.
- h) **Ne engedje, hogy a szerszámok gyakori használata során szerzett tapasztalatai túlzott biztonságérzetet keltsenek Önben, és amiatt elhanyagolja a biztonsági alapelveket.** A gondatlan cselekvés már a másodperc törtrésze alatt is súlyos sérülést okozhat.
- 4) Az elektromos szerszám használata és ápolása**
- a) **Az elektromos szerszámot tilos túlzott erő-kifejtéssel használni. Az alkalmazási célnak megfelelő elektromos szerszámot használjon.** A megfelelő elektromos szerszám biztonságosabban és hatékonyabban végzi a munkát azon a fordulatszámon, amire azt tervezték.
- b) **Ne használja az elektromos szerszámot, ha az nem kapcsolható be/ki a főkapcsolóval.** Bármely elektromos szerszám veszélyes lehet, amit a kapcsolóval nem lehet irányítani, ezért az ilyen elektromos szerszámot meg kell javíttatni.
- c) **Válassza le a dugót a tápforrásról és/vagy az akkumulátorcsomagot az elektromos szerszámról, mielőtt bármilyen módosítást végez, tartozékot cserél vagy eltávolítja az elektromos szerszámot.** Ezekkel a megelőző biztonsági intézkedésekkel csökkenti az elektromos szerszám véletlen beindulásának esélyét.
- d) **A használaton kívüli elektromos szerszámot olyan helyen tárolja, ahol gyermekek nem férhetnek hozzá; ne engedje, hogy olyan személyek használják, akik az elektromos szerszámot és ezeket az utasításokat nem ismerik.** Az elektromos szerszámok rendkívül veszélyesek lehetnek szakképzetlen felhasználók kezeiben.
- e) **Tartsa karban az elektromos szerszámokat. Ellenőrizze, hogy a mozgó alkatrészek nem állítottak-e el vagy nem szorulnak-e, nincsenek-e a szerszámon törött alkatrészek, és nem állnak-e fenn olyan körülmények, amelyek befolyásolhatják a szerszám működését. Ha az elektromos szerszám sérült, használat előtt javíttassa meg.** A nem megfelelően karbantartott elektromos szerszámok számos balesetet okoznak.
- f) **Tartsa élesen és tisztán a vágószerszámokat.** A megfelelően karbantartott, éles vágószerszámok beszorulásának kisebb a valószínűsége, ráadásul könnyebben irányíthatók.
- g) **Az elektromos szerszámot, tartozékokat és szerszámszárazakat stb. a használati útmutatónak megfelelően használja, a munkakörülmények és az elvégzendő feladat figyelembevételével.** Ha az elektromos szerszámot a rendeltetési céljától eltérően használják, ez veszélyhelyzetet teremthet.
- h) **Tartsa a fogantyúkat és egyéb markolási felületeket szárazon, tisztán, olajtól és zsírtól mentesen.** Váratlan helyzetekben a csúszós fogantyúk és egyéb markolási felületek akadályozzák a szerszám biztonságos kezelését és irányítását.
- 5) Az akkumulátoros szerszám használata és ápolása**
- a) **Újratöltéshez csak a gyártó által megjelölt töltőt használja.** Az a töltő, amely alkalmas egy bizonyos típusú akkumulátor töltésére, másik típusú akkumulátornál tűzveszélyt okozhat.
- b) **Csak a kifejezetten hozzájuk készült akkumulátorral használja az elektromos szerszámokat.** Bármilyen másfajta akkumulátor használata tűz- és balesetveszélyt idézhet elő.
- c) **Amikor az akkumulátor nincs használatban, óvja olyan más fém tárgytól, mint a gémpapocsa, a pénzérme, kulcs, szög, csavar és más kis fém tárgyak, amely a két kapcsot össze képes kötni.** Az akkumulátor kapcsok rövidre zárása égési sérülést vagy tüzet okozhat.
- d) **Nem előírászerű körülmények között az akkumulátorból folyadék szivároghat; kerülje a vele való érintkezést. Ha véletlenül mégis a bőrre kerül, vízzel öblítse le. Ha a folyadék szembe kerül, forduljon orvoshoz is.** Az akkumulátorból származó folyadék bőrirritató hatású, égési sérülést is okozhat.

- e) **Sérült vagy átalakított akkucsomagot és szerzámot ne használjon.** A sérült vagy átalakított akkumulátorok kiszámíthatatlanul viselkedhetnek, tüzet, robbanást vagy sérülést okozhatnak.
- f) **Tűztől és szélsőséges hőmérséklettől óvja az akkucsomagot és a szerzámot.** Ha tűznek vagy 130 °C-on felüli hőmérsékletnek teszi ki, robbanást okozhat. MEGJEGYZÉS: a „130 °C” „265 °F”-nak (Fahrenheit foknak) felel meg.
- g) **Tartsa be a töltésre vonatkozó összes utasítást, és ne töltse az akkucsomagot vagy a szerzámot a kezelési útmutatóban megadott tartományon kívül eső hőmérséklet mellett.** Nem megfelelő vagy a megadott tartományon kívüli hőmérséklet mellett történő töltés károsíthatja az akkumulátort, és tűzveszéllyel jár.
- 6) **Szerviz**
- a) **Az elektromos szerzámot képzett javító szakemberrel javíttassa, csakis az eredetivel azonos pótalkatrészeket használjon fel.** Ezzel biztosítja az elektromos szerzám folyamatosan biztonságos működését.
- b) **Sérült akkucsomagot soha ne szervizeljen.** Akkucsomagok szervizelését csak a gyártó vagy annak megbízott szolgáltatója végezheti.

AZ ORRFŰRÉSSZEL KAPCSOLATOS BIZTONSÁGI FIGYELMEZTETÉSEK

- **Az elektromos szerzámot a szigetelt markolási felületein fogja, amikor olyan munkát végez vele, ahol a vágószerzám rejtett vezetékét érhet.** Ha a vágószerzám feszültség alatt levő vezetékhez ér, a szerzám fém részei feszültség alá kerülnek, és a kezelőt áramütés érheti.
- **Tartsa távol a kezét a fűrész működési hatótávolságától. Ne nyúljon a munkadarab alá.** A fűrészlap érintése sérüléshez vezethet.
- **A gépet csak akkor helyezze a munkadarabra, amikor a gép be van kapcsolva.** Máskülönben a vágószerzám beragadhat a munkadarabra, ami veszélyes visszarúgást eredményezhet.
- **Fűrészeléskor a talplemeznek mindig fel kell feküdnie a munkadarabra.** A fűrészlap beékelődhet, és ilyenkor fennáll a veszélye, hogy Ön elveszíti az irányítását a gép felett.
- **Amikor a vágás befejeződött, kapcsolja ki a gépet, és csak azt követően húzza ki a fűrészlapot a vágatból, hogy a fűrészlap teljesen megállt.** Így elkerülheti a visszarúgást, és biztonságosan leteheti a gépet.

- **Kizárólag tökéletes állapotban lévő, sérülés nélküli fűrészlapokat használjon.** A meghajlott vagy életlen fűrészlapok eltörhetnek, kedvezőtlenül befolyásolhatják a vágást, vagy akár visszarúgáshoz is vezethetnek.
- **Ne fékezze le a fűrészlapot úgy, hogy a gép kikapcsolása után oldalirányú nyomást fejt ki a fűrészlapra.** A fűrészlap megsérülhet, eltörhet, vagy akár visszarúgást is okozhat.
- **Használjon szorítókat vagy más praktikus módszert a munkadarab stabil platformhoz való rögzítéséhez és megtámasztásához.** A készülék feletti uralmának elvesztéséhez vezethet, ha a munkadarabot a kezében tartja vagy a testéhez támasztja.
- **Alkalmas detektorral ellenőrizze, vannak-e rejtett közmű vezetékek a területen, amelyen dolgozni fog, vagy kérjen segítséget a helyi közművektől.** Elektromos vezetékek érintése tüzet vagy áramütést okozhat. Gázvezeték sérülése robbanáshoz vezethet. Vízvezeték sérülése anyagi kárt okoz.
- **A géppel történő munkavégzés során minden esetben stabilan, két kézzel fogja a gépet, és álljon stabil terpeszállásban.** Az elektromos szerzám biztonságosabban vezethető, ha két kézzel fogja.
- **Rögzítse a munkadarabot.** Sokkal biztonságosabb a munkadarabot szorítóeszközzel vagy satuban rögzíteni, mint kézzel.
- **Mindig várja meg a gép teljes leállítását, mielőtt letenné.** A szerzámcsár megszorulhat, és az elektromos szerzám feletti uralom elvesztését okozhatja.

BIZTONSÁGI FIGYELMEZTETÉSEK AZ AKKUMULÁTORHOZ

- a) **Ne bontsa szét az akkumulátort.** Az veszélyes rövidzárlatot okozhat.
- b) **Hőbepárolgástól védje az akkumulátort, pl. ne tegye ki folyamatos erős napsugárzásnak, tűztől, víztől és más nedvességtől is védje.** Robbanásveszély.
- c) **Ha az akkumulátor sérült, vagy rendellenesen használják, gőzök áramolhatnak belőle. Szellőztesse át a munkaterületet, és ha egészségi panaszai vannak, kérjen orvosi segítséget.** A gőzök irritálhatják a légutakat.
- d) **Az akkumulátort csak a Vonroc termékéhez használja.** Ezzel az intézkedéssel veszélyes túlterheléstől védi az akkumulátorát.

- e) Az akkumulátor megsérülhet, ha a külsejét hegyes tárggyal (pl. szeggel, csavarhúzóval) vagy erőszakosan manipulálják. Belső rövidzárlat következhet be, amittől az akkumulátor leégphet, füstölhet, robbanhat vagy túlmelegedhet.


A TÖLTŐVEL KAPCSOLATOS BIZTONSÁGI FIGYELMEZTETÉSEK

Rendeltetése

A töltővel kizárólag CD801AA és CD803AA típusú újratölthető akkumulátorcsomagokat töltsön fel. Másfajta elemek használata személyi sérülést és károkat okozhat.

- a) A készüléket csökkent fizikai, érzékszervi vagy szellemi képességű személyek (gyermeket is ideértve), valamint megfelelő tapasztalattal és tudással nem rendelkező személyek csak akkor használhatják, ha közben felügyelik őket vagy előzőleg ellátnak a megfelelő utasításokkal.
- b) Figyelni kell, nehogy a gyerekek játszanak a készülékkel.
- c) Nem újratölthető elemek újratöltésével próbálkozni tilos!
- d) Az akkumulátorok töltését jól szellőző helyen kell végezni!

Elektromos biztonság

 Mindig ellenőrizze, hogy a tápellátás megfelel-e az adattáblán feltüntetett feszültségnek.

- Ne használja a gépet, ha a hálózati kábel vagy a hálózati csatlakozódugó sérült.
- Csak olyan hosszabbító kábelt használjon amely megfelel a berendezés névleges teljesítményének és legalább 1,5 mm² vastag. Ha tekercset használ a hosszabbító kábelhez, mindig teljesen tekerje le a kábelt.

2. A GÉP ADATAI

Rendeltetése


A gépet arra tervezték, hogy fából, műanyagból vagy fémből készült munkadarabot vágjanak vele, miközben a talplemez szorosan nekitámaszkodik a munkadarabnak. Egyenes és ívelt vágásra is alkalmas. Továbbá a munkadarab felületével szintben is lehet vele vágni. Minden esetben a célra alkalmas fűrészlapot kell használni.


MŰSZAKI ADATOK





Ez az útmutató különböző készülékekhez / cikkszámokhoz készült. A készlet megfelelő összetételéhez és tartalmához ellenőrizze a műszaki adatokat tartalmazó lenti táblázat vonatkozó cikkszámát.

Modellazonosító	Akkumulátorok a csomagban	Töltők a csomagban
RS501DC	-	-
S_RS501DC	CD801AA	CD802AA
S2_RS501DC	2 x CD801AA	CD802AA
S3_RS501DC	CD803AA	CD802AA
S4_RS501DC	CD801AA	CD802AA

A gép adatai	
Névleges feszültség	20 V 
Üresjárat fordulat/szám	0-2800/perc
Fűrészlököt	22 mm
Max. fűrészelési kapacitás (fa)	100 mm
Max. fűrészelési kapacitás (acél)	10 mm
Súly	1,57 kg
Hangnyomásszint L _{PA}	82,2 dB(A) K= 3 dB(A)
Hangteljesítményszint L _{WA}	93,2 dB(A) K= 3 dB(A)
Rezgés fa gerenda fűrészelésékor	16,844 m/s ² K=1,5 m/s ²
Rezgés furnérlemez fűrészelésékor	18,067 m/s ² K=1,5 m/s ²

Modellazonosító	CD801AA
Akkumulátor típusa	Lítium-ion
Feszültség	20 V 
Kapacitás	2,0 Ah
Ajánlott töltő	CD802AA
Súly	0,3 kg

Modellazonosító	CD802AA
A töltő bemenete	220-240V, 50 Hz 0,4 A
A töltő kimenete	21 V  2,5 A
2 Ah-s akkumulátor töltési ideje	60 perc
4 Ah-s akkumulátor töltési ideje	120 perc
Ajánlott akkumulátorok	CD801AA, CD803AA
Súly	0,36 kg

Modellazonosító	CD803AA
Akkumulátor típusa	Lítium-ion
Feszültség	20 V 
Kapacitás	4,0 Ah
Ajánlott töltő	CD802AA
Súly	0,65 kg

VONROC VPOWER 20 V akkumulátorplatformból csak a következő akkumulátorokat használja.

Más akkumulátor használata súlyos sérüléshez és a szerszám károsodásához vezethet.

CD801AA 20 V, 2 Ah-s lítium-ion

CD803AA 20 V, 4 Ah-s lítium-ion

Ezek az akkumulátorok az alábbi töltővel tölthetők.

CD802AA Gyorstöltő

A VONROC VPOWER 20V platform akkumulátorai csereszabatosak minden VONROC VPOWER 20V akkumulátor platform szerszámmal.

Rezgés értékek

A használati útmutatóban megadott rezgés kibocsátási értékek mérése az EN 62841 szabvány szerinti egységesített eljárással történt; az értékek használhatók gépek összehasonlítására és a munkavégzés közbeni rezgés terhelés előzetes megbecslésére az adott alkalmazási területen.

- Ha az elektromos kéziszerszámot más területen használják vagy más vagy rossz karban tartott tartozékkal, a rezgés terhelés jelentősen megnövekedhet.
- Azok az időtartamok, amely alatt a gép üresen jár vagy áll, jelentősen csökkenthetik a tényleges terhelést.

Védje magát a rezgés hatásától, tartsa karban a gépet és a tartozékokat, melegítsen be és szervezze meg okosan a munkáját.

LEÍRÁS

A szövegbeli számok a 2–4. oldal képeire utalnak.

1. Reteszgomb
2. Főkapcsoló gomb
3. Fogantyú
4. Akkumulátor
5. Akkumulátorkioldó gomb
6. Segédfogantyú
7. Talplemez
8. Tokmány
9. Befogókar
10. Imbuszkulcs
11. Talplemezcsavarok
12. Munkalámpa
13. Akkumulátor LED-jelzőlámpák gomb
14. Akkumulátor LED-jelzőlámpák
15. Töltő
16. A töltő LED-jelzőlámpái

3. ÖSSZESZERELÉS



Az elektromos szerszámon végzett bármilyen munka előtt távolítsa el az akkumulátort.



Az akkumulátort első használat előtt először fel kell tölteni.

Az akkumulátor behelyezése a gépbe (A és F ábra)



A töltőre vagy a gépre csatlakoztatás előtt ellenőrizze, hogy az akkumulátor külseje tiszta és száraz legyen.

1. Tegye az akkumulátort (4) a gép talpába az „F” ábrán látható módon.
2. Kattanásig nyomja az akkumulátort a helyére.

Az akkumulátor kivétele a gépből (A és F ábra)

1. Nyomja meg az akkumulátor kioldó gombját (5)
2. Vegye ki az akkumulátort a gépből az „F” ábrán látható módon.

Az akkumulátor töltési állapotának ellenőrzése (G ábra)

- A töltöttségi szint ellenőrzéséhez nyomja meg röviden a gombot (13).

- Az akkumulátor 3 lámpával mutatja a töltési szintet, minél több világít, annál több töltése van még az akkumulátornak.
- Ha a lámpák nem világítanak, az akkumulátor lemerült, azonnal tölteni kell.

Az akkumulátor töltése a töltővel (G ábra)

1. Vegye ki a gépből az akkumulátort (4).
2. Fordítsa fejfelé az akkumulátort (4), és csúsztassa a töltőre (15) a „G” ábrán látható módon.
3. Nyomja be egészen az akkumulátort a nyílásba.
4. Dugja a töltődugót villamos aljzatba és várjon. A gépen a LED jelzők (16) világítani kezdenek és jelzik a töltő állapotát.

A töltőn 2 LED jelzőlámpa (16) van, amelyek mutatják a töltési folyamatot:

Piros LED állapot	Zöld LED állapot	Töltés állapot
Nem világít	Nem világít	Nincs áram
Nem világít	Világít	Készenlét mód: - Nincs behelyezve akkumulátor vagy - Akkumulátor behelyezve, de a töltés befejeződött
Világít	Nem világít	Akkumulátor töltődik

- A(z) 2 Ah-s akkumulátor teljes feltöltése 60 percet vesz igénybe.
- A(z) 4 Ah-s akkumulátor teljes feltöltése 120 percet vesz igénybe.

Az akkumulátor teljes feltöltése után húzza ki a töltődugót az aljzatból és vegye ki az akkumulátort a töltőből.



Ha a gépet hosszabb ideig nem használják, jobb az akkumulátort töltött állapotban tárolni.

Fűrészlap cseréje (A és C ábra)



A fűrészlap felszereléséhez viseljen védőkesztyűt. A fűrészlap megérintése sérülést eredményezhet.



Csak olyan fűrészlapot használjon, amely megfelel a kezelési útmutatóban megadott jellemző adatoknak.

A fűrészlap felszerelése



Győződjön meg arról, hogy a fűrészlaptartó anyagtermelékektől mentes (például fa- vagy fémszilánkoktól).

1. Forgassa el teljesen balra a befogókart (9), és tartsa ebben a pozícióban.
2. Helyezze be a fűrészlapot a tokmányba (8). Győződjön meg róla, hogy a fűrészlap stabilan rögzült, valamint hogy a fogak lefelé néznek.
3. Engedje el a befogókart. Győződjön meg róla, hogy a fűrészlap rögzült a helyére.

Az anyagnak megfelelő fűrészlapot használjon. A géphez mellékelünk egy durva fűrészlapot, amivel fát lehet vágni, valamint egy finom fűrészlapot, amivel fémet és műanyagot lehet vágni.

A fűrészlap leszerelése

1. Forgassa el teljesen balra a befogókart (9), és tartsa ebben a pozícióban.
2. Távolítsa el a fűrészlapot a tokmányból (8).
3. Engedje el a befogókart.

4. HASZNÁLAT

A gép be- és kikapcsolása (A ábra)

A főkapcsoló (2) a gép bekapcsolására és a fordulatszám beállítására szolgál.

- A gép beindításához nyomja és tartsa lenyomva a reteszgombot (1), majd nyomja le a főkapcsolót (2).
- Minél jobban benyomja a főkapcsolót (2), annál gyorsabban fog mozogni a lap. A kívánt fordulatszám a munkadarab anyagától függ, és próbálgatással határozható meg.
- A gép kikapcsolásához engedje fel a főkapcsolót (2).

A talplemez beállítása (B ábra)

A talplemez (7) mozgatható, így a dőlésszögével képes igazodni a munkadarab felületéhez. Továbbá a talplemez hosszúsága is módosítható a szükséges fűrészelési mélységnek megfelelően.

1. Lazítsa meg talplemez csavarjait (11) a mellékelt imbuszkulcs (10) segítségével.
2. Állítsa be a talplemezt (7).

- Húzza meg talplemez csavarjait (11) a mellékelt imbuszkulcs (10) segítségével. Az imbuszkulcs eltávolítható a gépen (lásd a B ábrát).

Beszűrő fűrészelés (D ábra)

Csak puha anyagokon (például fa, gázbeton, gipszkartonlemez stb.) lehet beszűrő fűrészelést végezni. Megfelelő tapasztalat szükséges hozzá, és csak rövid fűrészlapokkal lehet végezni.

- Helyezze a fűrészlapot a munkadarabra, és kapcsolja be a fűrészlapot.
- Ügyeljen rá, hogy a talplemez alsó széle a képen látható módon felfeküdjön a munkadarab felületére.
- Fűrészelj bele rézsűsen és lassan a munkadarabra. Fokozatosan mozgassa a fűrészlapot függőleges helyzetig, majd folytassa a fűrészelést a vágóvonal mentén.
- Amikor végzett a munkával, kapcsolja ki a fűrészlapot, majd emelje ki a munkadarabból.

Szintben történő fűrészelés („E” ábra)

Az elasztikus bimetál fűrészlapokkal lefűrészelték a kilógó objektumok (például vízvezetékek, vasrudak stb.) a falak közelében.

- Tegye a fűrészlapot közvetlenül a falra, és hajlítsa meg kissé a fűrészlapot, hogy a talplemez felfeküdjön a falra. Figyeljen rá, hogy a fűrészlap mindig túlnyúljon a megmunkálni kívánt anyag átmérőjén.
- Kapcsolja be a gépet, majd fűrészelve le a munkadarabot úgy, hogy állandó oldalirányú nyomást fejt ki a falra.

Optimális használat

- Állítsa be a fűrészlapot és a löketszámot a feldolgozni kívánt anyaghoz megfelelően. Szarkerekítéshez a keskeny fűrészlap a legjobb választás. Fémek fűrészelésénél a vágóvonal mentén rezgés keletkezik. Ennek enyhítésére használjon hűtőközeget vagy kenőanyagot.
- Mielőtt elkezd fűrészelni, ellenőrizze, hogy vannak-e kemény anyagok (szegek, csavarok stb.) a fában, forgácslapokban, építőanyagokban stb. Ha vannak, a fűrészelés előtt távolítsa el őket.
- Fogja be jól az anyagot. Ne próbálja kézzel vagy lábbal megtámasztani a munkadarabot. Amikor a fűrész működésben van, ne érjen vele objektumokhoz vagy a padlóhoz (visszarúgás veszélye).

- Tegye a talplemezt a munkadarab felületére, majd állandó érintkezési nyomással vagy előtolással fűrészelve át a munkadarabot. Ha a fűrészlap beragad, azonnal kapcsolja ki a gépet. Tágítsa ki a hézagot egy arra alkalmas szerszámmal, majd húzza ki a fűrészlapot.
- A munka befejezése után kapcsolja ki a gépet, és csak akkor tegye le a gépet, amikor az teljesen megállt.

5. KARBANTARTÁS



Tisztítás és karbantartás előtt mindig kapcsolja ki a gépet és vegye ki belőle az akkumulátort.

A gép burkolatát rendszeresen, lehetőleg minden használat után törölje át puha ronggyal. Ügyeljen arra, hogy a szellőzőnyílások portól és piszoktól mentesek legyenek. Makacs szennyeződésekhez használjon szappanos vízzel átitatott ruhát. Oldószert, benzint, alkoholt, ammóniát stb. ne használjon. Ezek a vegyszerek kárt tesznek a szintetikus alkatrészekben.

KÖRNYEZETVÉDELEM



A hibás vagy már feleslegessé vált elektromos, elektronikus készülékeket az ezzel foglalkozó begyűjtő helyeken kell leadni.

Csak EU országokban

Elektromos szerszámokat ne dobjon a háztartási hulladékba. Az elektromos és elektronikai hulladékokra vonatkozó, 2012/19/EU európai irányelv és annak a nemzeti törvénykezésbe történő átültetése értelmében az elhasznált elektromos készülékeket külön kell gyűjteni és környezetbarát módon kell kiselejtezni.

JÓTÁLLÁS

A VONROC termékei a legmagasabb minőségi normák szerint készülnek, és az eredeti vásárlás napjától számított, törvényileg előírt időtartamig garantáljuk, hogy anyag- és gyártási hibáktól mentesen fognak működni. Ha a terméken ezen időszak alatt bármilyen hiba jelentkezik anyag- és/vagy gyártási hiba miatt, kérjük, forduljon közvetlenül a VONROC vállalatához.

A szavatosság nem érvényes a következő körülmények egyikére sem:

- Nem hivatalos szervizközpontok javítást vagy módosítást végeztek (vagy megkíséreltek javítani vagy módosítani végezni) a gépen;
- Normál elhasználódás és kopás;
- A szerszámot erőszakkal vagy nem rendeltetésszerűen használták, vagy a karbantartása nem volt megfelelő;
- Nem eredeti pótalkatrészeket használtak.

A jelen garancia a vállalat által (akár kifejezetten, akár hallgatólagosan) biztosított kizárólagos garancia. Nem léteznek olyan egyéb garanciák (sem kifejezett, sem hallgatólagos garanciák, beleértve az értékesíthetőségre és az adott célra való alkalmasságra vonatkozó hallgatólagos garanciákat is), amelyek a jelen garancia hatókörén túlmutatnak. A VONROC semmilyen esetben sem felelős semmilyen járulékos vagy következményes kárért. A forgalmazók jogorvoslati teendői az előírásoknak nem megfelelő egységek vagy alkatrészek javítására és cseréjére korlátozódnak.

A termék és a használati útmutató változtatásának jogát fenntartjuk. A műszaki adatok előzetes bejelentés nélkül változhatnak.

1. BEZPECSÍTÉSI POKYNY

Přečtete si přiložené bezpečnostní výstrahy, dodatečné bezpečnostní výstrahy a bezpečnostní pokyny. Nebudete-li dodržovat tyto bezpečnostní výstrahy a pokyny, může dojít k úrazu elektrickým proudem, k vzniku požáru nebo k vážného zranění. Uchovejte tyto bezpečnostní výstrahy a pokyny pro budoucí použití.

V této uživatelské příručce a na tomto výrobku jsou použity následující symboly:



Přečtete si uživatelskou příručku.



Upozorňuje na riziko zranění osob, ztráty života nebo poškození zařízení, nebudou-li dodržovány pokyny uvedené v tomto návodu.



Udržujte přihlížející, zejména děti a domácí zvířata, ve vzdálenosti větší než 10 metrů.



Používejte ochranu zraku.



Používejte ochranu sluchu.



Používejte ochrannou masku proti prachu.



Nebezpečný prostor! Udržujte ruce v bezpečné vzdálenosti (10 cm) od místa řezu, když je nářadí v provozu. Nebezpečí zranění při kontaktu s pilovým listem.



Není určeno pro venkovní použití.



Stroj třídy II – Dvojitá izolace – Nemusí být použit uzemňovací vodič.



Miniaturní pomalá pojistka s tavnou vložkou.



Maximální teplota 45 °C.



Nevhazujte akumulátor do ohně.



Nevhazujte akumulátor do vody.



Použijte tříděný odpad pro akumulátory Li-Ion.

CE Tento výrobek je vyroben v souladu s platnými bezpečnostními normami, které jsou uvedeny ve směrnicích EU.

ZÁKLADNÍ BEZPEČNOSTNÍ VÝSTRAHY PRO ELEKTRICKÉ NÁŘADÍ



VAROVÁNÍ! Přečtěte si všechny bezpečnostní výstrahy a všechny pokyny. Nebudete-li dodržovat tyto bezpečnostní výstrahy a pokyny, může dojít k úrazu elektrickým proudem, k vzniku požáru nebo k způsobení vážného zranění.

Uschovejte všechny bezpečnostní výstrahy a pokyny pro budoucí použití.

Termín elektrické nářadí v těchto varováních odkazuje na elektrické nářadí napájené z elektrické sítě (s napájecím kabelem) nebo z akumulátoru (bez napájecího kabelu).

1) Bezpečnost pracovního prostoru

- a) **Udržujte pracoviště uklizené a dobře osvětlené.** Neuklizená nebo tmavá místa přivolávají nehody.
- b) **Nepoužívejte elektrická nářadí ve výbušných prostředích, jako jsou místa s přítomností hořlavých kapalin, plynů nebo prachu.** V elektrickém nářadí dochází k jiskření, které může způsobit vznícení prachu nebo výparů.
- c) **Při práci s tímto elektrickým nářadím udržujte děti a okolostojící osoby v bezpečné vzdálenosti.** Rozptylování může způsobit ztrátu kontroly nad nářadím.

2) Elektrická bezpečnost

- a) **Zástrčka napájecího kabelu nářadí musí odpovídat zásuvce. Zástrčku nikdy žádným způsobem neupravujte. Nepoužívejte u uzemněného elektrického nářadí žádné adaptéry zástrček.** Neupravené zástrčky a odpovídající zásuvky budou snižovat riziko úrazu elektrickým proudem.
- b) **Vyvarujte se kontaktu s uzemněnými povrchy, jako jsou potrubí, radiátory, trouby a ledničky.** Dojde-li k uzemnění vašeho těla, hrozí zvýšené riziko způsobení úrazu elektrickým proudem.
- c) **Nevystavujte elektrické nářadí dešti ani vlhkému prostředí.** Dostane-li se do elektrického nářadí voda, zvýší se riziko úrazu elektrickým proudem.

- d) **Nezacházejte špatně s napájecím kabelem. Nikdy nepoužívejte napájecí kabel pro přenášení nebo tahání elektrického nářadí a netahejte za tento kabel při odpojování zástrčky od zásuvky. Dbejte na to, aby tento kabel nepřecházel přes horké a mastné povrchy nebo přes ostré hrany, a aby se nedostal do kontaktu s pohyblivými díly.** Poškozené nebo zamotané kabely zvyšují riziko úrazu elektrickým proudem.
- e) **Používáte-li elektrické nářadí venku, použijte prodlužovací kabel vhodný pro venkovní použití.** Použití prodlužovacího kabelu pro venkovní použití snižuje riziko úrazu elektrickým proudem.
- f) **Musíte-li používat toto elektrické nářadí ve vlhkém prostředí, používejte v elektrickém obvodu proudový chránič (RCD).** Použití proudového chrániče (RCD) snižuje riziko úrazu elektrickým proudem.

3) Bezpečnost osob

- a) **Při práci s tímto elektrickým nářadím buďte stále pozorní, sledujte, co provádíte, a používejte zdravý rozum. Nepoužívejte elektrické nářadí, jste-li unaveni nebo jste-li pod vlivem drog, alkoholu nebo léků.** Nepozornost při práci s elektrickým nářadím může vést k velmi nebezpečným zraněním.
- b) **Používejte osobní ochranné prostředky. Vždy používejte ochranu zraku.** Ochranné prostředky, jako jsou maska proti prachu, neklouzavá pracovní ochranná obuv, pevná přilba nebo chrániče sluchu, které jsou používány v příslušných podmínkách, zmenšují riziko způsobení zranění osob.
- c) **Zabraňte náhodnému spuštění nářadí. Před připojením elektrického nářadí k napájecímu zdroji nebo před vložením akumulátoru do nářadí, před zvednutím nářadí nebo před jeho přenášením se ujistěte, zda je spínač nářadí v poloze vypnuto.** Přenášení elektrického nářadí s prstem na spouštěcím spínači nebo připojení elektrického nářadí k zdroji elektrické energie, je-li spouštěcí spínač v poloze zapnuto, zvyšuje pravděpodobnost vzniku nehod.
- d) **Před zapnutím elektrického nářadí vždy odstraňte všechny klíče a seřizovací přípravky.** Klíče nebo seřizovací přípravky ponechané na rotující části elektrického nářadí mohou způsobit zranění osob.

- e) **Nepřeceňujte své síly. Vždy udržujte správný postoj a rovnováhu.** Tak si zachováte lepší kontrolu nad nářadím v neočekávaných situacích.
- f) **Vhodně se oblékejte. Nenoste volný oděv nebo šperky. Udržujte vlasy, oblečení a rukavice v bezpečné vzdálenosti od všech pohyblivých částí.** Volný oděv, šperky nebo dlouhé vlasy mohou být zachyceny pohyblivými se díly.
- g) **Jsou-li zařízení vybavena adaptérem pro připojení odsávacího systému, ujistěte se, zda je odsávací zařízení správně připojeno a zda správně plní svoji funkci.** Použití odsávání prachu může snížit rizika spojená prací v prašném prostředí.
- h) **Nedovolte, aby jistota získaná častým používáním nářadí vedla ke snížení vaší pozornosti a ignorování zásad bezpečné práce s nářadím.** Chvilková nepozornost může během zlomku sekundy způsobit vážné zranění.
- 4) Použití elektrického nářadí a jeho údržba**
- a) **Nepřetěžujte elektrické nářadí. Používejte pro prováděnou práci správné elektrické nářadí.** Správné elektrické nářadí provede práci lépe a bezpečněji, je-li použito pro práce, pro které je určeno.
- b) **Nepoužívejte elektrické nářadí, nepracuje-li správně jeho spouštěcí spínač.** Nemůžete-li elektrické nářadí ovládat pomocí spouštěcího spínače, takové nářadí je velmi nebezpečné a musí být opraveno.
- c) **Před prováděním jakéhokoliv seřízení, před výměnou příslušenství nebo před uložení odpojte napájecí kabel nářadí od napájecího zdroje nebo z nářadí vyjměte akumulátor.** Tato preventivní bezpečnostní opatření snižují riziko náhodného spuštění elektrického nářadí.
- d) **Uložte nepoužívané elektrické nářadí mimo dosah dětí a nedovolte osobám, které nejsou obeznámeny s tímto nářadím nebo s těmito pokyny, aby toto elektrické nářadí používaly.** Elektrické nářadí je v rukách neproškolených osob nebezpečné.
- e) **Provádějte údržbu elektrického nářadí. Zkontrolujte vychýlení nebo zablokování pohyblivých částí, poškození dílů a stavy nářadí, které by mohly mít vliv na správnou funkci nářadí. Je-li elektrické nářadí poškozeno, před použitím zajistěte jeho opravu.** Mnoho nehod bývá způsobeno nedostatečnou údržbou elektrického nářadí.
- f) **Udržujte řezné nástroje ostré a čisté.** U správně udržovaných řezných nástrojů s ostrými řeznými břity je menší pravděpodobnost jejich zablokování a lépe se s nimi pracuje.
- g) **Používejte elektrické nářadí, příslušenství, pracovní nástroje atd. v souladu s těmito pokyny a berte v úvahu pracovní podmínky a práci, která má být provedena.** Použití elektrického nářadí pro operace, pro které není určeno, může vést k nebezpečným situacím.
- h) **Dbejte na to, aby byly rukojeti a úchopné povrchy suché, čisté a ztavené oleji a maziv.** Kluzké rukojeti a plochy pro úchop neumožňují bezpečnou manipulaci a ovládání nářadí v neočekávaných situacích.
- 5) Použití a údržba akumulátorového nářadí**
- a) **K nabíjení používejte výhradně nabíječku předepsanou výrobcem.** Nabíječka vhodná pro jeden typ akumulátoru může způsobit požár při vložení jiného, nevhodného typu.
- b) **Používejte elektrické nářadí pouze s předepsanými akumulátory.** Použití jiných typů akumulátoru může způsobit požár nebo zranění.
- c) **Když akumulátor nepoužíváte, uložte ho mimo dosah kovových předmětů, jako jsou kancelářské sponky, mince, klíče, hřebíky, šroubky nebo jiné malé kovové předměty, které by mohly zkratovat jeho kontakty.** Zkratování kontaktů akumulátoru může způsobit popáleniny nebo požár.
- d) **Za nevhodných podmínek může z akumulátoru unikat kapalina. Vyvarujte se kontaktu s touto kapalinou. Dojde-li k náhodnému kontaktu s touto kapalinou, zasažené místo omyjte vodou. Dostane-li se kapalina do očí, ihned si je vypláchněte vodou a vyhledejte lékařskou pomoc.** Unikající kapalina z akumulátoru může způsobit podráždění pokožky nebo popáleniny.
- e) **Nepoužívejte poškozený nebo upravený akumulátor či nářadí.** Poškozené nebo upravené akumulátory se mohou chovat nepředvídatelně, což může způsobit požár, výbuch nebo nebezpečí zranění.
- f) **Nevystavujte akumulátor a nářadí ohni ani nadměrným teplotám.** Vystavení účinkům ohně nebo teplot nad 130 °C může způsobit výbuch. POZNÁMKA Teplota „130 °C“ odpovídá teplotě „265 °F“.
- g) **Dodržujte všechny pokyny pro nabíjení a nenabíjejte akumulátor ani nářadí mimo teplotní**

rozsah předepsaný v těchto pokynech. Nesprávné nabíjení nebo nabíjení při teplotě mimo předepsaný rozsah může poškodit akumulátor a zvýšit nebezpečí vzniku požáru.

6) Servis

- a) **Svěřte opravu svého elektrického nářadí pouze osobě s příslušnou kvalifikací, která bude používat výhradně originální náhradní díly.** Tím zajistíte bezpečný provoz tohoto elektrického nářadí.
- b) **Nikdy neopravujte poškozené akumulátorové moduly.** Opravy akumulátorů smí provádět výhradně výrobce nebo technik autorizovaného servisu.

BEZPEČNOSTNÍ VÝSTRAHY PRO MEČOVÉ PILY

- **Při provádění prací, během kterých se může pracovní příslušenství dostat do kontaktu se skrytou elektroinstalací, držte toto elektrické nářadí za izolované plochy určené pro úchop.** Pracovní příslušenství, které se dostane do kontaktu s „živým“ elektrickým vodičem, může způsobit, že nechráněné kovové části nářadí budou také „živé“, což by mohlo vést k úrazu obsluhy elektrickým proudem.
- **Udržujte ruce v bezpečné vzdálenosti od místa řezu. Nesahejte pod obrobek.** Kontakt s pilovým listem může způsobit zranění.
- **Přikládejte toto nářadí k obrobku pouze v případě, je-li zapnuto.** Nedodržíte-li tento pokyn, bude hrozit riziko zpětného rázu, když se pilový list při spuštění nářadí zablokuje v obrobku.
- **Při řezání musí být základna vždy otočena směrem k obrobku.** Pilový list se může zaklínit, a to může způsobit ztrátu kontroly nad nářadím.
- **Po dokončení řezu vypněte nářadí a, jakmile se pilový list zcela zastaví, vytáhněte jej z řezu.** Tímto způsobem můžete zabránit zpětnému rázu a můžete bezpečně odložit nářadí.
- **Používejte pouze nepoškozené pilové listy, které jsou v perfektním stavu.** Ohnuté nebo tupé pilové listy se mohou zlomit, budou negativně ovlivňovat kvalitu řezu nebo budou způsobovat zpětné rázy.
- **Nezastavujte pilový list po vypnutí nářadí vyvíjením bočního tlaku na tento pilový list.** Pilový list může být poškozen, zlomen nebo může způsobit zpětný ráz.
- **Použijte svorky nebo jiný praktický způsob, jak podepřít obrobek a zajistit ho na stabilní podložce.** Když držíte obrobek rukou nebo opřený

o tělo, zůstává nestabilní a můžete nad ním ztratit kontrolu.

- **Použijte vhodné detektory pro detekci skrytých inženýrských sítí v pracovním prostoru nebo požádejte o pomoc rozvodnou společnost.** Kontakt s elektrickým vedením může způsobit požár a úraz elektrickým proudem. Poškození plynového potrubí může způsobit výbuch. Narušení vodovodního potrubí může mít za následek poškození majetku.
- **Při práci držte toto nářadí vždy pevně oběma rukama a udržujte bezpečný pracovní postoj.** Toto nářadí je vedeno bezpečněji, je-li drženo oběma rukama.
- **Zajistěte obrobek.** Obrobek upevněný v upínacím zařízení nebo ve svěráku je zajištěn lépe než při držení rukou.
- **Před odložením nářadí vždy počkejte, dokud nedojde k jeho úplnému zastavení.** Pilový list se může zablokovat, což může vést k ztrátě kontroly nad tímto elektrickým nářadím.

BEZPEČNOSTNÍ VAROVÁNÍ PRO AKUMULÁTOR

- a) **Akumulátor nerozebírejte.** Nebezpečí zkratu.
- b) **Chraňte akumulátor před teplem, např. před nepřetržitým intenzivním slunečním světlem, ohněm, vodou a vlhkostí.** Nebezpečí výbuchu.
- c) **V případě poškození a nesprávného použití akumulátoru se mohou uvolňovat výpary. V případě potíží vyvětrejte místnost a vyhledejte lékařskou pomoc.** Výpary mohou dráždit dýchací ústrojí.
- d) **Používejte tento akumulátor výhradně s vaším výrobkem značky Vonroc.** Toto opatření samo o sobě chrání akumulátor před nebezpečným přetížením.
- e) **Akumulátor může být poškozen ostrými předměty, jako například hřebíky nebo šroubováky, nebo větší silou.** Může dojít k vnitřnímu zkratu a vznícení, vzniku kouře, výbuchu nebo přehřátí akumulátoru.

BEZPEČNOSTNÍ VAROVÁNÍ PRO NABÍJEČKU

Zamýšlené použití

Touto nabíječkou nabíjejte výhradně akumulátorové moduly typu CD801AA a CD803AA. Ostatní typy akumulátorů mohou prasknout a způsobit zranění a poškození.

- a) **Tento výrobek není určen k použití osobami (včetně dětí) se sníženými fyzickými, smys-**

lovými nebo duševními schopnostmi, nebo s nedostatkem zkušeností a znalostí, pokud jim nebyl stanoven dohled nebo pokud jim nebyly poskytnuty potřebné instrukce.

- b) Děti musí být pod dozorem, aby si s tímto zařízením nehrály.
- c) Nenabíjejte baterie, které nejsou k nabíjení určeny!
- d) Během nabíjení musí být akumulátory umístěny na dobře větraném místě!

Elektrická bezpečnost



Vždy zkontrolujte, zda se napájecí napětí sítě shoduje s napájecím napětím na výkonovém štítku.

- Nepoužívejte tento výrobek, je-li poškozen jeho napájecí kabel nebo zástrčka.
- Používejte pouze prodlužovací kabely, které jsou vhodné pro příkon tohoto zařízení a které mají minimální průřez 1,5 mm². Budete-li používat prodlužovací kabel na cívce, vždy odmotejte celý kabel.

2. INFORMACE O ZAŘÍZENÍ

Zamýšlené použití

Toto nářadí je určeno pro řezání dřeva, plastů a kovů. Při řezání musí být základna nářadí řádně opřena o obrobek. Toto nářadí je vhodné pro přímé i obloukové řezy. Je možné také provádění srovnávacích řezů na povrchu obrobku. Vždy musí být použit vhodný pilový list.

TECHNICKÉ ÚDAJE



Tato uživatelská příručka platí pro různá čísla zboží / různé sady. V níže uvedené tabulce specifikací si můžete ověřit správný obsah vaší sady podle odpovídajícího čísla.

Model č.	Akumulátory v dodávce	Nabíječky v dodávce
RS501DC	-	-
S_RS501DC	CD801AA	CD802AA
S2_RS501DC	2 x CD801AA	CD802AA
S3_RS501DC	CD803AA	CD802AA
S4_RS501DC	CD801AA	CD802AA

Informace o nářadí	
Jmenovité napětí	20 V
Otáčky naprázdno	0–2800/min
Zdvih pilového listu	22 mm
Max. tloušťka řezaného dřeva	100 mm
Max. tloušťka řezané oceli	10 mm
Hmotnost	1,57 kg
Úroveň akustického tlaku L _{PA}	82,2 dB(A), K = 3 dB(A)
Úroveň akustického výkonu L _{WA}	93,2 dB(A), K = 3 dB(A)
Vibrace při řezání dřevěného hranolu	16,844 m/s ² K = 1,5 m/s ²
Vibrace při řezání překližky	18,067 m/s ² K = 1,5 m/s ²

Model č.	CD801AA
Typ akumulátoru	Lithium-Ion
Napětí	20 V
Kapacita	2,0 Ah
Doporučená nabíječka	CD802AA
Hmotnost	0,3 kg

Model č.	CD802AA
Vstup nabíječky	220–240 V, 50 Hz 0,4 A
Výstup nabíječky	21V 2,5 A
Doba nabíjení 2Ah akumulátoru	60 minut
Doba nabíjení 4Ah akumulátoru	120 minut
Doporučené akumulátory	CD801AA, CD803AA
Hmotnost	0,36 kg

Model č.	CD803AA
Typ akumulátoru	Lithium-Ion
Napětí	20 V
Kapacita	4,0 Ah
Doporučená nabíječka	CD802AA
Hmotnost	0,65 kg

Používejte pouze následující akumulátory z platformy VONROC VPOWER 20 V. Použití jakýchkoliv jiných akumulátorů může způsobit vážné zranění nebo poškození nářadí.

CD801AA 20 V, 2Ah lithium-iontový
 CD803AA 20 V, 4Ah lithium-iontový

Pro nabíjení těchto akumulátorů se může používat následující nabíječka.

CD802AA Rychlonabíječka

Akumulátory platformy VONROC VPOWER 20V se mohou používat ve všech akumulátorových nářadích na platformě VONROC VPOWER 20V.

Vibrace

Deklarovaná úroveň vibrací uvedená v tomto návodu byla měřena v souladu se standardní zkušební metodou předepsanou normou EN 62841. Tato úroveň vibrací může být použita pro srovnání jednotlivých nářadí mezi sebou a také při předběžném posouzení působících vibrací při používání nářadí při uvedených aplikacích.

- Použití tohoto nářadí pro jiné aplikace nebo s odlišným nebo špatně udržovaným příslušenstvím může značně zvýšit působení vibrací.
- Doba, kdy je nářadí vypnuto nebo kdy je v chodu, ale aktuálně nevykonává žádnou práci, může působení vibrací značně zmírnit.

Chraňte se před působením vibrací prováděním řádné údržby tohoto nářadí i jeho příslušenství, udržujte ruce v teple a provádějte práci správným způsobem.

POPIS

Čísla v následujícím textu odkazují na obrázky na stranách 2-4.

1. Zajišťovací tlačítko
2. Vypínač
3. Rukojeť
4. Akumulátor
5. Tlačítko pro uvolnění akumulátoru
6. Pomocná rukojeť
7. Základna
8. Držák
9. Upínací páčka
10. Šestihranný klíč
11. Šrouby základny
12. Pracovní svítidla
13. Tlačítko LED indikátorů akumulátoru
14. LED indikátory akumulátoru
15. Nabíječka
16. LED indikátory nabíječky

3. SESTAVENÍ



Před zahájením jakékoliv práce na elektrickém nářadí vyjměte z tohoto nářadí akumulátor.



Před prvním použitím musí být akumulátor nabit.

Vložení akumulátoru do nářadí (obr. A, F)



Před vložením do nabíječky nebo do nářadí zkontrolujte, že je povrch akumulátoru čistý a suchý.

1. Zasuňte akumulátor (4) do základny nářadí, jak je zobrazeno na obr. F.
2. Zatlačte akumulátor úplně dopředu, dokud nezaklapne na své místo.

Vyjmутí akumulátoru z nářadí (obr. A, F)

1. Stiskněte tlačítko pro uvolnění akumulátoru (5)
2. Vytáhněte akumulátor z nářadí, jak je zobrazeno na obr. F.

Kontrola stavu nabití akumulátoru (obr. G)

- Chcete-li zkontrolovat stav nabití akumulátoru, krátce stiskněte tlačítko (13) na akumulátoru.
- Akumulátor je vybaven 3 kontrolkami, které indikují stav jeho nabití: čím více kontrolky svítí, tím více je akumulátor nabit.
- Pokud tyto kontrolky nesvítí, znamená to, že je akumulátor vybitý a musíte ho okamžitě nabít.

Nabíjení akumulátoru pomocí nabíječky (obr. G)

1. Vyjměte akumulátor (4) ze stroje.
2. Obraťte akumulátor (4) spodní stranou nahoru a zasuňte ho do nabíječky (15), jak je zobrazeno na obr. G.
3. Zatlačte na akumulátor, dokud nebude zcela zasunut do slotu.
4. Připojte zástrčku nabíječky do elektrické zásuvky a chvíli počkejte. LED indikátory na nabíječce (16) se rozsvítí a zobrazí aktuální stav nabití akumulátoru.

Tato nabíječka je vybavena 2 LED indikátory (16), které informují o stavu procesu nabíjení:

Stav červené LED	Stav zelené LED	Stav nabíječky
Nesvítí	Nesvítí	Žádné napájení
Nesvítí	Svítí	Pohotovostní režim: - Není vložen žádný akumulátor nebo - Akumulátor je vložen, ale nabíjení skončilo
Svítí	Nesvítí	Probíhá nabíjení akumulátoru

- Úplné nabití akumulátoru s kapacitou 2 Ah může trvat až 60 minut.
- Úplné nabití akumulátoru s kapacitou 4 Ah může trvat až 120 minut.

Jakmile bude akumulátor zcela nabit, odpojte zástrčku kabelu nabíječky ze zásuvky a vyjměte akumulátor z nabíječky.



Nebude-li toto nářadí používáno delší dobu, dohlédněte na to, aby akumulátor byl před uložením nabit.

Výměna pilového listu (obr. A, C)



Při manipulaci s pilovým listem používejte rukavice. Nebezpečí zranění při kontaktu s pilovým listem.



Používejte pouze pilové listy, které splňují požadavky technických údajů uvedených v tomto návodu.

Nasazení pilového listu



Ujistěte se, zda v držáku pilového listu nejsou žádné nečistoty (jako dřevěné nebo kovové piliny).

1. Otočte upínací páčku (9) co nejvíce doleva a držte ji v této poloze.
2. Vložte pilový list do držáku (8). Zkontrolujte, zda je pilový list bezpečně upevněn a zda jeho zuby směřují dolů.
3. Uvolněte upínací páčku. Zkontrolujte, zda je pilový list řádně zajištěn.

Dohlédněte na to, abyste pro daný materiál použili správný pilový list. S touto pilou je dodáván pilový

list s hrubými zuby na řezání dřeva a pilový list s jemnými zuby na řezání kovu.

Vyjmutí pilového listu

1. Otočte upínací páčku (9) co nejvíce doleva a držte ji v této poloze.
2. Vytáhněte pilový list z držáku (8).
3. Uvolněte upínací páčku.

4. OVLÁDÁNÍ

Zapnutí a vypnutí nářadí (obr. A)

Vypínač (2) slouží k zapnutí nářadí a pro nastavení otáček.

- Chcete-li spustit toto nářadí, podržte stisknuté zajišťovací tlačítko (1) a stiskněte vypínač (2).
- Čím více vypínač stisknete (2), tím rychleji se bude pilový list pohybovat. Vhodná rychlost závisí na řezaném materiálu a může být určena praktickou zkouškou.
- Chcete-li nářadí vypnout, uvolněte vypínač (2).

Nastavení základny (obr. B)

Díky své pohyblivosti se úhel sklonu základny (7) přizpůsobuje obrobku. Navíc může být délka základny nastavena v závislosti na požadované hloubce řezu.

1. Povolte šrouby základny (11) pomocí dodaného šestihranného klíče (10).
2. Nastavte základnu (7).
3. Utáhněte šrouby základny (11) pomocí dodaného šestihranného klíče (10). Šestihranný klíč může být uložen na nářadí, jak je zobrazeno na obr. B.

Ponorné řezy (obr. D)

Ponorné řezy mohou být použity pouze na měkkých materiálech, jako je dřevo, pórobeton, sádkarotonové desky atd. Vyžaduje to ovšem určitou praxi a je to možné pouze s krátkými pilovými listy.

1. Položte pilu na obrobek a zapněte ji.
2. Ujistěte se, zda se spodní hrana základny opírá o povrch obrobku jako na uvedeném obrázku.
3. Pomalu řezejte šikmo do obrobku, nastavujte pilu do svislé polohy a potom pokračujte v řezání podél čáry řezu.
4. Jakmile bude práce dokončena, vypněte pilu a zvedněte ji z obrobku.

Srovnávací řezy (obr. E)

Elastické bimetalové pilové listy vám umožní uřezání vyčnívajících objektů (například vodovodní trubky, železné tyče atd.) v blízkosti stěny.

1. Přiložte pilový list přímo na stěnu a mírně jej ohněte tak, aby se základna pily opírala o stěnu. Dávejte pozor, aby použitý pilový list vždy přesahoval průměr řezaného materiálu.
2. Zapněte nářadí a při řezávání materiálu udržujte konstantní boční tlak na stěnu.

Optimální použití

- Nastavte pilový list a rychlost pohybu tak, aby vyhovovaly řezanému materiálu. Pro pravouhlé obloukové řezy jsou nevhodnější úzké pilové listy. Při řezání kovu použijte chladicí kapalinu nebo mazivo, abyste se vypořádali s chvěním vznikajícím podél čáry řezu.
- Před řezáním zkontrolujte dřevo, dřevotřískové desky, stavební materiály atd., zda v nich nejsou tvrdé materiály (hřebíky, šrouby atd.), a je-li to nutné, odstraňte je.
- Upněte si řádně materiál. Nepodpírejte obrobek rukou nebo nohou. Nedotýkejte se pilou předmětů nebo podlahy, je-li tato pila v chodu (nebezpečí odskoku).
- Umístěte základnu na povrch obrobku a provádějte průřez s konstantním kontaktním tlakem nebo posuvem. Dojde-li k zablokování pilového listu, ihned nářadí vypněte. Zajistěte vzniklý otvor vhodným nástrojem a vytáhněte pilový list z řezu.
- Po dokončení práce nářadí vypněte a odložte jej až po jeho úplném zastavení.

5. ÚDRŽBA

Nářadí před čištěním a prováděním údržby vždy vypněte a vyjměte z něj akumulátor.

Pravidelně čistěte kryt zařízení jemným hadříkem, ideálně po každém použití. Ujistěte se, zda nejsou větrací otvory zaneseny prachem nebo jinými nečistotami. Odolnější nečistoty odstraňte pomocí jemného hadříku navlhčeného v mýdlové pěně. Nepoužívejte žádná rozpouštědla, jako jsou benzín, líh, čpavek atd. Takové chemické látky mohou způsobit poškození dílů z umělé hmoty.

OCHRANA ŽIVOTNÍHO PROSTŘEDÍ

Poškozená a likvidovaná elektrická nebo elektronická zařízení musí být odevzdána ve sběrných dvorech, které jsou určeny pro tento účel.

Pouze pro země EU

Nevyhazujte elektrická nářadí do běžného domácího odpadu. Podle evropské směrnice 2012/19/EC týkající se likvidace elektrických a elektronických zařízení a její implementace do vnitrostátního práva, musí být nepoužívaná elektrická nářadí shromažďována odděleně a jejich likvidace musí být provedena tak, aby nedošlo k ohrožení životního prostředí.

ZÁRUKA

Výrobky VONROC jsou vyvíjeny v souladu s požadavky norem na nejvyšší kvalitu a je zaručeno, že po dobu platné záruky, která začíná běžet dnem původního nákupu, nebudou na těchto výrobcích žádné vady materiálu, ani vady způsobené špatným dílenským zpracováním. Dojde-li během tohoto období k závadě v důsledku vady materiálu nebo dílenského zpracování, kontaktujte přímo firmu VONROC.

Z této záruky jsou vyloučeny následující případy:

- Opravy nebo úpravy tohoto zařízení byly provedeny nebo byly provedeny pokusy o jejich provedení v neautorizovaných servisech;
- Běžné opotřebení;
- Toto zařízení bylo nesprávně použito, nevhodně použito nebo nebyla prováděna jeho správná údržba;
- Byly použity neoriginální náhradní díly.

Výše uvedeně představuje jedinou záruku poskytovanou společností, ať už výslovnou nebo předpokládanou. Neexistují žádné další záruky, výslovné ani nebo předpokládané, které přesahují rámec zde uvedeného, včetně předpokládaných záruk prodejnosti a vhodnosti pro určitý účel. VONROC v žádném případě neodpovídá za jakékoliv náhodné nebo následné škody. Opravné prostředky prodejců se omezují výhradně na opravu nebo výměnu nevhodujících jednotek nebo dílů.

Na tomto výrobku a v tomto návodu mohou být prováděny změny. Technické údaje mohou být změněny bez předchozího upozornění.

1. GÜVENLİK TALİMATLARI

Ekteki güvenlik uyarılarını, ilave güvenlik uyarılarını ve talimatları okuyun. Güvenlik uyarılarını ve talimatları izlememek elektrik çarpması, yangın ve/veya ciddi yaralanma ile sonuçlanabilir. Güvenlik uyarılarını ve talimatları ilerde bakmak üzere muhafaza edin.

Aşağıdaki semboller kullanıcı kılavuzunda veya ürün üzerinde kullanılmaktadır:



Kullanıcı kılavuzunu okuyun.



Bedensel yaralanma riski.



Başta çocuklar ve evcil hayvanlar olmak üzere etrafta bulunanları yaklaşık 10 m'den daha uzak mesafede tutun.



Güvenlik eldivenleri giyin.



Duyuma koruması takın.



Bir toz maskesi takın.



Tehlike Bölgesi! Makine çalışırken elinizi kesme alanından uzak tutun (10 cm). Testere bıçağına temas ettiğinizde yaralanma tehlikesi mevcuttur.



Gecikmeli minyatür sigorta bağlantısı.



Maksimum sıcaklık 45 °C.



Pili ateşe atmayın.



Pili suya atmayın.



Ürün, Avrupa yönergelerindeki geçerli güvenlik standartlarına uygundur.



Ürün, Avrupa yönergelerindeki geçerli güvenlik standartlarına uygundur.

GENEL ELEKTRİK ALET GÜVENLİK UYARILARI



UYARI Tüm güvenlik uyarılarını ve tüm talimatları okuyun. Uyarılara uyulmadı ve talimatlar elektrik çarpmasına, yangına ve/veya ciddi yaralanmalara neden olabilir.

Tüm uyarıları ve talimatları gelecekte başvurmak üzere saklayın.

Uyarılardaki "elektrikli alet" terimi, şebeke elektriği ile çalışan (kablolu) elektrikli alet veya pil ile çalışan (kablesiz) elektrikli alet anlamına gelir.

1) İş aşanı güvenliği

- İş alanını temiz ve aydınlık tutun.** Dağınık veya karanlık bölgeler, kazalara davetiye çıkarır.
- Elektrikli aletleri, yanıcı sıvıların, gazların veya tozun var olduğu patlayıcı atmosferlerde kullanmayın.** Elektrikli aletler, tozu veya dumanları ateşleyebilecek kıvılcımlar oluşturur.
- Bir elektrikli aleti kullanırken, çocukları ve çevredekileri uzak tutun.** Dikkatiniz dağılırsa kontrolü kaybedebilirsiniz.

2) Elektrik güvenliği

- Elektrikli alet fişleri, prize uygun olmalıdır. Fişi, hiçbir şekilde modifiye etmeyin. Topraklı elektrikli aletlerle, herhangi bir fiş adaptörü kullanmayın.** Modifiye edilmemiş fişler ve buna uygun prizler, elektrik çarpması riskini azaltır.
- Borular, radyatörler, ocaklar ve buzdolapları gibi topraklı yüzeylerle temastan kaçınınız.** Eğer vücudunuz topraklanmışsa, elektrik çarpması riski daha fazla olur.
- Elektrikli aletleri yağmura veya ıslaklığa maruz bırakmayın.** Bir elektrikli alete su girmesi durumunda, elektrik çarpması riski artacaktır.
- Kabloya kötü davranmayın. Kabloyu taşıma amacıyla, elektrikli aleti ya da elektrikli aletin fişini çekmek için kullanmayın. Kabloyu ısıdan, yağdan, keskin kenarlardan ya da hareketli parçalardan uzak tutun.** Hasar görmüş ya da do-laşmış kablolar, elektrik çarpması riskini artırır.
- Bir elektrikli aleti dış mekanlarda kullanırken, dış mekan kullanımına uygun bir uzatma kablosu kullanın.** Dış mekan kullanımına uygun ir kablo kullanıldığında, elektrik çarpması riski azalır.
- Elektrikli aleti nemli bir konumda çalıştırmak kaçınılmazsa, kaçak akım cihazı (RCD) korumalı bir kaynak kullanın.** RCD kullanımı elektrik çarpması riskini azaltır.

3) Kişisel güvenlik

- Elektrikli aleti kullanırken tetikte kalın, ne yaptığınıza dikkat edin ve sağduyulu davranın.** Bir elektrikli aleti yorgun olduğunuzda ya da uyuşturu, alkol veya ilaç etkisindeyken kullanmayın.

- Elektrikli aleti kullanırken bir anlık dikkatsizlik ciddi kişisel yaralanmalara neden olabilir.
- b) **Kişisel koruyucu donanım kullanın. Her zaman göz koruması takın.** Uygun durumlar için kullanılan toz maskesi, kaymaz güvenlik ayakkabıları, baret veya kulak tıkacı gibi koruyucu donanımlar, kişisel yaralanma riskini azaltacaktır.
- c) **Kasıtsız çalışmayı önleyin. Bir elektrik kaynağını ve/veya pil takımını bağlamadan, aleti kaldırmadan ya da taşımadan önce elektrikli aletin anahtarının kapalı durumda olduğundan emin olun.** Elektrikli aletleri parmağınız anahtar üzerindeyken taşımak veya anahtarı açık elektrikli aletleri harekete geçirmek kazalara davetiye çıkarır.
- d) **Elektrikli aleti açık duruma getirmeden önce her türlü ayar anahtarını çıkarın.** Elektrikli aletin dönen bir parçasında kalan bir anahtar, kişisel yaralanmalara neden olabilir.
- e) **Fazla uzanmayın. Ayaklarınızı sağlam basın ve her zaman dengeli olun.** Böylece beklenmeyen durumlarda elektrikli aleti daha iyi kontrol edebilirsiniz.
- f) **Uygun kıyafetler giyin. Bol kıyafetler giymeyin, takılar takmayın. Saçınızı, kıyafetlerinizi ve eldivenlerinizi, hareketli parçalardan uzak tutun.** Bol kıyafetler, takılar veya uzun saç, hareketli parçalara takılabilir.
- g) **Eğer cihazlar toz giderme ve toplama tesislerinin bağlantısı için sağlanmışsa, bunların bağlandığından ve düzgün bir şekilde kullanıldığından emin olun.** Toz toplama ile tozla ilgili tehlikeleri azaltılabilir.
- h) **Aletlerin sık kullanılmasından edindiğiniz bilgi birikiminin sizi aşırı rehavete sürüklemesine izin vermeyin ve araç güvenliği ilkelerini göz ardı etmeyin.** Dikkatsiz bir hareket, bir saniyeden bile kısa sürede ciddi yaralanmalara neden olabilir.
- 4) Elektrikli alet kullanımı ve bakımı**
- a) **Elektrikli aleti zorlamayın. Uygulamanız için doğru elektrikli aleti kullanın.** Doğru elektrikli alet, tasarımı amacına uygun olarak işi daha iyi yapacaktır.
- b) **Eğer anahtarlar açılıp kapatılmıyorsa, elektrikli aleti kullanmayın.** Anahtarla kumanda edilemeyen elektrikli aletler tehlikelidir ve tamir edilmelidir.
- c) **Herhangi bir ayar, aksesuar değişimi ya da depolama işleminden önce elektrikli aletin fişini elektrik kaynağından çıkarın ve/veya pil takımını elektrikli aletten çıkarın.** Bu tür önle-
- yici güvenlik önlemleri, elektrikli aletin kazara çalışma riskini azaltır.
- d) **Boş durumdaki elektrikli aletleri çocukların erişemeyeceği bir yerde muhafaza edin ve elektrikli aletin nasıl çalıştığını ya da bu talimatları bilmeyen kişilerin elektrikli aleti kullanmasına izin vermeyin.** Elektrikli aletler, eğitimsiz kullanıcıların elinde tehlikeli olur.
- e) **Elektrikli aletlerin bakımını yapın. Hatalı ayarlar veya hareketli parçaların bağlanması, parça kırılmaları ve elektrikli aletin çalışmasını etkileyecek diğer durumlar için kontrol gerçekleştirin. Eğer herhangi bir hasar varsa, elektrikli alet kullanılmadan önce tamir edilmelidir.** Çoğu kazaya bakımı iyi yapılmayan elektrikli aletler neden olur.
- f) **Kesme aletlerini keskin ve temiz tutun.** Bakımı iyi yapılan ve keskin kenarlara sahip kesme aletlerinde donmalar daha az yaşanır ve kontrol edilmeleri daha kolay olur.
- g) **Elektrikli aleti, aksesuarlarını ve torna kalemlerini bu talimatlara uygun olarak kullanın, çalışma koşullarını ve gerçekleştirecek olan işi dikkate alın.** Elektrikli aletin kullanım amacı dışında kullanılması, tehlikeli durumlarla sonuçlanabilir.
- h) **Tutamakları ve tutma yerlerini kuru, temiz ve yağdan arındırılmış şekilde muhafaza edin.** Kaygan tutamaklar ve tutma yerleri, beklenmedik durumlarda aletin güvenli şekilde taşınmasına ve kontrol edilmesine izin vermez.
- 5) Pili alet kullanımı ve bakımı**
- a) **Yalnızca üretici tarafından belirtilen şarj aletiyle şarj edin.** Bir türde pil takımı için uygun bir şarj cihazı, başka bir pil takımı ile kullanıldığında yangın riski oluşturabilir.
- b) **Elektrikli aletleri yalnızca özel olarak belirlenmiş pil takımlarıyla kullanın.** Başka pil takımlarının kullanımı yaralanma ve yangın riski oluşturabilir.
- c) **Pil takımı kullanılmadığı zamanda, ataşlar, bozuk paralar, anahtarlar, çiviler, vidalar veya diğer küçük metal nesnelere gibi bir uçtan diğerine bir bağlantı yapabilecek diğer metal nesnelere uzak tutun.** Pil uçlarını birbirine kısa devre yaptırmak yanıklara veya yangına neden olabilir.
- d) **Bozulma durumlarında pilden sıvı çıkabilir; temastan kaçın. Kazara temas gerçekleşirse, suyla yıkayın. Sıvı gözlerle temas ederse ayrıca**

tıbbi yardım isteyin. Pilden çıkan sıvı tahriş veya yanıklara neden olabilir.

- e) **Hasarlı veya üzerinde değişiklik yapılmış bir batarya veya aleti kullanmayın.** Hasarlı veya üzerinde değişiklik yapılmış bataryalar, yangın, patlama ya da yaralanma riskiyle sonuçlanan beklenmedik davranışlar sergileyebilir.
 - f) **Batarya veya aleti ateşe veya aşırı sıcaklığa maruz bırakmayın.** Ateşe veya 130 °C üzeri sıcaklıklara maruz kalması patlamaya yol açabilir. NOT Sıcaklık birimi olarak kullanılan „130 °C“ yerine „265 °F“ kullanılabilir.
 - g) **Tüm şarj talimatlarına uyun ve batarya veya aleti talimatlarda belirtilen sıcaklık aralığının dışındaki ortamlarda şarj etmeyin.** Yanlış şekilde veya belirtilen aralığın dışındaki sıcaklıklarda şarj etmek bataryayı zarar verebilir ve yangın riskini artırabilir.
- 6) Servis**
- a) **Elektrikli aletinizin servis işlemlerini, yalnızca aynı yedek parçaları kullanan vasıflı bir tamircinin yapmasını sağlayın.** Bu, elektrikli aletin güvenliğinin korunmasını sağlayacaktır.
 - b) **Hasarlı bataryalara asla kendiniz bakım yapmaya çalışmayın.** Bataryadaki bakım işlemleri sadece üretici veya yetkili servisler tarafından yapılmalıdır.

TİLKİ KUYRUĞU TESTERELER İÇİN GÜVENLİK UYARILARI

- **Bir işlem sırasında kesme aleti gizli kablolarla temas edebileceği için kesim aksesuarını yalıtımlı tutma yüzeylerinden tutun.** Kesici aletin, “elektrik akımı” bulunan kablolarla temas halinde “akım”, elektrikli aletin iletken metal parçaları üzerinden operatöre iletilerek elektrik çarpmasına yol açabilir.
- **Ellerinizi kesim alanından uzak tutun. Üzerinde çalıştığımız parçaya altından ulaşmayı denemeyin.** Testere bıçağı ile temas yaralanmalara neden olabilir.
- **Makineyi ancak çalıştırıldıktan sonra iş parçasına doğru ilerletin.** Aksi halde, kesici alet iş parçasında sıkıştığında geri tepme tehlikesi vardır.
- **Testereyle kesim yaparken, taban plakası her zaman iş parçasına bakmalıdır.** Testere bıçağı sıkışabilir ve makinede kontrol kaybına yol açabilir.
- **Kesim tamamlandığında, makineyi kapatın ve ardından testere bıçağını kesilen yerden ancak durduktan sonra çekin.** Bu şekilde geri tepmeyi

önleyebilir ve makineyi güvenli bir şekilde yerleştirebilirsiniz.

- **Sadece hasar görmemiş, mükemmel durumda olan testere bıçaklarını kullanın.** Kıvrılmış veya körelmiş testere bıçakları kırılabilir, kesimi olumsuz etkileyebilir veya geri tepmeye neden olabilir.
- **Kapattıktan sonra yandan baskı uygulayarak testere bıçağını durdurmayın.** Testere bıçağı zarar görebilir, kırılabilir veya geri tepmeye neden olabilir.
- **İş parçasını sabit bir platforma sabitlemek ve desteklemek için mengene veya benzer pratik yöntemler kullanın.** İş parçasını elinizle tutmak veya vücudunuza yaslamak iş parçasını stabil hale getirmeye ve kontrol kaybına neden olabilir.
- **Çalışma alanında gizli tesisat hattı olup olmadığını belirlemek için uygun detektörler kullanın veya yardım için yerel kamu hizmet şirketini arayın.** Elektrik hatları ile temas yangına ve elektrik çarpmasına neden olabilir. Bir doğalgaz hattının hasar görmesi patlamaya neden olabilir. Su hattını delmek maddi hasara neden olur.
- **Makine ile çalışırken aleti daima iki elinizle tutun ve sağlam bir duruş sağlayın.** Elektrikli alet iki elinizle daha güvenli yönlendirilir.
- **İş parçasını sabitleyin.** Kelepçeleme aletleriyle veya bir mengene ile sıkıştırılmış bir iş parçası, elle olduğundan daha güvenli tutulur.
- **Makineyi yere koymadan önce tamamen durmasını bekleyin.** Alet ek parçası sıkışabilir ve elektrikli alet üzerinde kontrol kaybına yol açabilir.

BATARYA İÇİN GÜVENLİK UYARILARI

- a) **Bataryanın içini açmayın.** Kısa devre tehlikesi.
- b) **Bataryayı ısıya, sürekli yoğun güneş ışığına, yangına, suya ve neme karşı koruyun.** Patlama tehlikesi.
- c) **Bataryanın hasar görmesi ve yanlış kullanılması durumunda duman çıkabilir. Bölgeyi havalandırın ve şikayet durumunda tıbbi yardım alın.** Duman solunum sistemini tahriş edebilir.
- d) **Bataryayı sadece Vonroc ürününüzle bağlantılı olarak kullanın.** Bu önlem tek başına bataryayı tehlikeli aşırı yüklenmeye karşı korur.
- e) **Batarya, çivi veya tornavida gibi sivri uçlu nesnelere veya dışarıdan uygulanan kuvvetten ötürü zarar görebilir.** Dahili bir kısa devre oluşabilir ve batarya yanabilir, duman çıkabilir, patlayabilir veya aşırı ısınabilir.

ŞARJ ALETİ İÇİN GÜVENLİK UYARILARI**Kullanım amacı**

Şarj aleti ile yalnızca CD801AA ve CD803AA tipi Şarj edilebilir bataryaları şarj edin. Diğer pil türleri patlayarak fiziksel yaralanma ve hasara neden olabilir.

- a) Cihaz, gözetim veya talimat verilmedikleri takdirde kısıtlı düzeyde fiziksel, duyuşal veya zihinsel becerilere sahip olan veya deneyim ve bilgiden yoksun bulunan kişiler (çocuklar dahil) tarafından kullanılamaz.**
- b) Çocuklar cihazla oynamaları için gözetim altında tutulmalıdır.**
- c) Şarj edilebilir olmayan özellikle pilleri şarj etmeyin!**
- d) Şarj sırasında piller iyi havalandırılmalı bir bölgeye yerleştirilmelidir!**

Elektrik güvenliği

Daima güç kaynağı geriliminin anma değerleri plakasındaki gerilime karşılık gelip gelmediğini kontrol edin.

- Güç kaynağı kablosu veya şebeke fişi hasar görmüşse makineyi kullanmayın.
- Sadece makinenin güç değerleri açısından uygun, minimum 1,5 mm² kalınlığa sahip uzatma kabloları kullanın. Bir uzatma kablosu makarası kullanıyorsanız kabloyu daima tamamen açın.

2. MAKİNE BİLGİSİ**Kullanım amacı**

Makine, taban levhasını iş parçası üzerine sıkıca tutmak koşuluyla ahşap, plastik ve metal kesmek için tasarlanmıştır. Düz ve kıvrımlı kesimler için uygundur. İş parçası yüzeyiyle aynı hızda kesmek de mümkündür. Her zaman uygun bir testere bıçağı kullanılmalıdır.

TEKNİK SPESİFİKASYONLAR

Bu kılavuz farklı takımlar/ürün numaraları için hazırlanmıştır. Takımınızın doğru bileşenleri ve içeriği için aşağıdaki özellikler tablosundaki ilgili ürün numarasına bakın.

Model No.	Batarya dahildir	Şarj cihazları dahildir
RS501DC	-	-
S_RS501DC	CD801AA	CD802AA
S2_RS501DC	2 x CD801AA	CD802AA
S3_RS501DC	CD803AA	CD802AA
S4_RS501DC	CD801AA	CD802AA

Makine bilgisi

Şebeke voltajı	20V
Yüksüz devir	0-2800/min
Testere vuruşu	22mm
Maks. testere kapasitesi ahşap	100mm
Maks. testere kapasitesi çelik	10mm
Ağırlık	1.57 kg
LpA (ses basıncı seviyesi)	82.2 dB(A), K=3dB(A)
LwA (ses şiddeti seviyesi)	93.2 dB(A), K=3dB(A)
Vibrasyon 'Ahşap kiriş testere'	16.844 m/s ² K=1.5 m/s ²
Vibrasyon 'Kontrplak gördüm'	18.067 m/s ² K=1.5 m/s ²

Model No.	CD801AA
Pil tipi	Lityum-iyon
Voltajı	20V
Kapasitesi	2,0 Ah
Önerilen şarj cihazı	CD802AA
Ağırlık	0,3 kg

Model No.	CD802AA
Şarj cihazı girişi	220-240V, 50Hz 0,4A
Şarj cihazı çıkışı	21V
Şarj süresi 2Ah batarya	60 dakika
Şarj süresi 4Ah batarya	120 dakika
Önerilen bataryalar	CD801AA, CD803AA
Ağırlık	0,36 kg

Model No.	CD803AA
Pil tipi	Lityum-iyon
Voltajı	20V
Kapasitesi	4,0 Ah
Önerilen şarj cihazı	CD802AA
Ağırlık	0,65 kg

Sadece aşağıdaki VONROC VPOWER 20V batarya platformuna ait bataryaları kullanın. Başka batarya kullanmak, ciddi yaralanmalara neden olabilir veya alete zarar verebilir.

CD801AA 20V, 2Ah Lityum-iyon
CD803AA 20V, 4Ah Lityum-iyon

Bu bataryaları şarj etmek için aşağıdaki şarj aleti kullanılabilir.

CD802AA Hızlı şarj aleti

VONROC VPOWER 20V batarya platformuna ait bataryalar, tüm VONROC VPOWER 20V batarya platformu aletleriyle karşılıklı değiştirilebilir.

Vibrasyon seviyesi

Bu talimat kılavuzunda belirtilen vibrasyon emisyon seviyesi EN 62841 içinde verilen bir standart teste uygun olarak ölçülmüştür; bir aleti başka bir aletle karşılaştırmak için ve aleti adı geçen uygulamalar için kullanırken bir ilk maruz kalma değerlendirmesi olarak kullanılabilir.

- aleti farklı uygulamalar için veya farklı ya da kötü bakılan aksesuarlarla kullanmak maruz kalma seviyesini büyük ölçüde artırabilir.
- aletin kapalı olduğu veya çalışıp da gerçekten işi yapmadığı zamanlar maruz kalma seviyesini büyük ölçüde azaltabilir.

Aletin ve aksesuarların bakımını yaparak, ellerinizi sıcak tutarak ve çalışma düzenlerinizi organize ederek vibrasyonun etkilerine karşı kendinizi koruyun.

AÇIKLAMA

Metindeki numaralar sayfa 2-4'deki çizimleri işaret etmektedir.

1. Kilitleme düğmesi
2. Açma/Kapama düğmesi
3. Tutamak
4. Pil (ürüne dahil değildir)
5. Pil kilidini açma düğmesi
6. İlave kol
7. Taban plakası
8. Matkap kovani
9. Kelepçeleme kolu
10. Allen anahtarı
11. Taban plakası civataları
12. Çalışma lambası
13. Pil LED göstergeleri düğmesi
14. Pil LED göstergeleri

15. Şarj aleti

16. Şarj aleti LED göstergesi

3. MONTAJ



Elektrikli alet üzerinde herhangi bir çalışma yapmadan önce, pili çıkarın.



İlk kullanımdan önce pil şarj edilmelidir.

Pilin makineye takılması (Şekil A, F)



Şarj aletine veya makineye bağlamadan önce pilin dış kısmının temiz ve kuru olmasını sağlayın.

1. Pili (4) Şekil F'de gösterildiği gibi makinenin alt kısmına takın.
2. Yerine oturana kadar pili daha ileriye itin.

Pilin makineden çıkartılması (Şekil A, F)

1. Pil kilit açma düğmesine (5) basın.
2. Pili Şekil F'de gösterildiği gibi makineden çıkarın.

Batarya şarj durumunun kontrol edilmesi (Şekil G)

- Batarya şarj durumunu kontrol etmek için, batarya üzerindeki düğmeye (13) kısa süreli basın.
- Batarya, şarj seviyesini belirten 3 ışığa sahiptir, ne kadar çok ışık yanarsa, bataryada o kadar çok şarj kalmış demektir.
- Işıklar yanmıyorsa batarya boş demektir ve hemen şarj edilmelidir.

Bataryanın şarj cihazıyla şarj edilmesi (Şekil G)

1. Bataryayı (4) makineden çıkartın.
2. Bataryayı (4) baş aşağı konuma çevirin ve Şekil G'de gösterildiği gibi şarj cihazının (15) üzerine kaydırın.
3. Yuvaya tamamen itilene kadar bataryayı itin.
4. Şarj cihazı fişini bir elektrik çıkışına takın ve bir süre bekleyin. Şarj cihazı (16) üzerindeki LED göstergeleri yanacak ve şarj durumunu gösterecektir.

Şarj cihazı, şarj sürecinin durumunu gösteren 2 LED göstergesine (16) sahiptir.

Kırmızı LED Durumu	Yeşil LED Durumu	Şarj Cihazı Durumu
Kapalı	Kapalı	Güç yok
Kapalı	Açık	Bekleme modu: - Batarya yerleştirilmemiş veya, - Batarya yerleştirilmiş fakat şarj işlemi sona ermiş
Açık	Kapalı	Batarya şarja devam ediyor

- 2Ah bataryayı tam olarak şarj etmek 60 dakika sürebilir.
- 4Ah bataryayı tam olarak şarj etmek 120 dakika sürebilir.

Batarya tamamen şarj olduktan sonra şarj cihazı fişini prizden çıkarın ve bataryayı şarj cihazından çıkarın.



Makine daha uzun bir süre kullanılmadığında, bataryayı şarj edilmiş durumda saklamak en iyisidir.

Testere bıçağının değiştirilmesi (Şekil A, C)



Testere bıçağını monte ederken koruyucu eldiven kullanın. Testere bıçağına dokunulduğunda yaralanma tehlikesi.



Sadece kullanım talimatlarında verilen karakteristik verilere karşılık gelen testere bıçaklarını kullanın.

Testere bıçağının takılması



Bıçak tutucusunda malzeme artıkları (tahta kıymıkları veya metal gibi) bulunmadığından emin olun.

1. Kelepçeleme kolunu (9) mümkün olduğunca sola çevirin ve bu konumda tutun.
2. Testere bıçağını kovana (8) yerleştirin. Testere bıçağının sağlam bir şekilde sabitlendiğinden ve dişlerin aşağıya dönük olduğundan emin olun.
3. Kelepçeleme kolunu bırakın. Testere bıçağının yerine kilitlenip kilitlenmediğini kontrol edin.

İlgili malzeme için doğru testere bıçağını kullandığınızdan emin olun. Makine ile birlikte aħşap için kalın dişli bir testere bıçağı ve metal ve plastik için ince dişli bir testere bıçağı verilir.

Testere bıçağının çıkartılması

1. Kelepçeleme kolunu (9) mümkün olduğunca sola çevirin ve bu konumda tutun.
2. Testere bıçağını kovandan (8) çıkartın.
3. Kelepçeleme kolunu bırakın.

4. ÇALIŞTIRMA

Makinenin açılması/kapatılması (Şekil A)

Açma/kapama düğmesi (2) makineyi çalıştırmak ve hızı ayarlamak için kullanılır.

- Makineyi çalıştırmak için, kilitleme düğmesine (1) basılı tutun ve açma/kapama düğmesine (2) basın.
- Açma/kapama düğmesine (2) ne kadar çok basılırsa, bıçak o kadar hızlı hareket eder. Gerekli hız, malzemeye bağlıdır ve pratik testlerle belirlenebilir.
- Makineyi durdurmak için açma/kapama düğmesini (2) bırakın.

Taban plakasının ayarlanması (Şekil B)

Hareketliği sayesinde taban plakası (7) açısı iş parçasına adapte olur. Ayrıca, taban plakasının uzunluğu, gerekli kesme derinliğine bağlı olarak ayarlanabilir.

1. Ürünle gelen allen anahtarını (10) kullanarak taban plakası civatalarını (11) gevşetin.
2. Taban plakası (7) ayarlayın.
3. Ürünle gelen allen anahtarını (10) kullanarak taban plakası civatalarını (11) sıkın. Allen anahtarını, Şekil B'de gösterildiği gibi makede saklamak mümkündür.

Daldırma kesimi (Şekil D)

Daldırma kesimi sadece aħşap, gözenekli beton, alçı levha ürünleri gibi yumuşak materyallerle kullanılabilir. Bununla birlikte bu kesim için belirli bir pratik gerekir ve sadece kısa testere bıçaklarıyla mümkündür.

1. Testere tabanını iş parçası üzerine koyun ve aleti çalıştırın.
2. Ayaklığın alt kenarının şekilde gösterildiği gibi iş parçasına yaslandığından emin olun.
3. Testereyi dikey bir konuma hareket ettirerek iş parçasını yavaşça kesin ve kesim çizgisi boyunca kesme işlemine devam edin.
4. İş tamamlandığında testereyi kapatın ve iş parçasını kaldırın.

Kenar kesimi (Şekil E)

Elastik bi-metal testere bıçakları duvar yakınında çıkıntı yapan nesnelere (örn. su boruları, demir çubuklar vb.) kesmenizi sağlar.

1. Testere bıçağını doğrudan duvara uygulayın ve ayaklık duvara dayanacak şekilde hafifçe eğin.
2. Makineyi çalıştırın ve iş parçasını duvara karşı sabit bir yatay basıncı koruyarak kesin.

Kesim önerileri

- Testere bıçağını ve vuruş hızını işlenecek malzemeye uygun şekilde ayarlayın. Sağa doğru kıvrımlar için dar bir testere bıçağının kullanılması daha iyidir. Metal kesimi sırasında kesim hattında oluşan titreşimle başa çıkmak için soğutucu veya yağlayıcı kullanın.
- Kesmeden önce ahşap, sunta, inşaat malzemelerini vb. yabancı maddeler (tırnak, vida vb.) açısından kontrol edin ve gerekirse bunları kaldırın.
- Malzemeyi kelepçeyle iyi tutturun. İş parçasını el veya ayakla desteklemeyin. Testere çalışırken diğer nesnelere veya zemine temas etmeyin (geri tepme riski).
- Ayaklığı iş parçasının üzerine koyun ve sabit temas basıncı veya besleme yoluyla kesim işlemini yapın. Testere bıçağı takılırsa makineyi hemen durdurun. Boşluğu uygun bir aletle geçirin ve testere bıçağını çekip çıkartın.
- İş sona erdikten sonra makineyi durdurun ve ancak tamamen durduktan sonra yere indirin.

5. BAKIM

Temizlik ve bakımdan önce her zaman makineyi kapatın ve pil takımını makineden çıkarın.

Makine kaplamalarını yumuşak bir bezle, tercihen her kullanımdan sonra düzenli olarak temizleyin. Havalandırma deliklerinin toz ve kirden arınmış olduğundan emin olun. Çok inatçı kirleri sabun köpüğüyle ıslatılmış yumuşak bir bezle çıkarın. Benzin, alkol, amonyak vs. gibi çözücü maddeleri kullanmayın. Bunlar gibi kimyasallar sentetik bileşenlere zarar verecektir.

ÇEVRE

Arızalı ve/veya atılmış elektrikli veya elektronik ekipmanların uygun geri dönüşüm konularında toplanması gerekir.

Yalnızca AT ülkeleri için

Elektrikli aletleri evsel atık olarak atmayın. Atık Elektrikli ve Elektronik Donanım için Avrupa İlkeleri 2012/19/EU'ya ve bunun yerel hukuk çerçevesinde uygulamasına göre, artık kullanılamaz olan elektrikli aletler ayrı olarak toplanmalı ve çevre dostu bir yolla imha edilmelidir.

GARANTİ

VONROC ürünleri yüksek kalite standartları doğrultusunda geliştirilmiştir ve ilk satın alımdan itibaren kanunen belirlenen süre boyunca materyal ve işçilik açısından kusursuz olacağı garanti edilmektedir. Bu süre zarfında, kusurlu materyal ve/veya işçilikten dolayı üründe herhangi bir arıza meydana gelmesi durumunda, doğrudan VONROC iletişim kurun.

Takip eden durumlar bu garanti kapsamı dışındadır:

- Yetkisiz servis merkezleri tarafından yapılan veya yapılmaya teşebbüs edilen onarım ve/veya değişiklikler.
- Normal aşınma ve eskime.
- Cihazın kötü ve yanlış kullanılması veya cihaza yanlış bakım yapılması.
- Orijinal olmayan yedek parçaların kullanılması

Bu, şirket tarafından açık ya da zımni verilmiş tek garantiyi oluşturur. Belirli bir amaç için ticarete elverişlilik ve uygunluğun zımni garantileri dahil dış görüşünün ötesine uzanan açık veya zımni başka hiçbir garanti yoktur. VONROC herhangi bir arıza veya dolaylı zarardan hiçbir halükarda sorumlu olmayacaktır. Bayilerin getireceği çözümler uygunsuz birimlerin veya parçaların onarımı veya değiştirilmesiyle sınırlı olacaktır.

Ürün ve kullanıcı kılavuzu değişikliği tabidir. Spesifikasyonlar başka bir uyarı olmaksızın değiştirilebilir.



DECLARATION OF CONFORMITY

RS501DC / S_RS501DC / S2_RS501DC / S3_RS501DC / S4_RS501DC - RECIPROCATING SAW

- (EN) We declare under our sole responsibility that this product is in conformity with directive 2011/65/EU of the European parliament and of the council of 8 June on the restriction of the use of certain hazardous substances in electrical and electronic equipment is in conformity and accordance with the following standards and regulations:
- (DE) Der Hersteller erklärt eigenverantwortlich, dass dieses Produkt der Direktive 2011/65/EU des Europäischen Parlaments und des Rats vom 8. Juni 2011 über die Einschränkung der Anwendung von bestimmten gefährlichen Stoffen in elektrischen und elektronischen Geräten entspricht, den folgenden Standards und Vorschriften entspricht:
- (NL) Wij verklaren onder onze volledige verantwoordelijkheid dat dit product voldoet aan de conform Richtlijn 2011/65/EU van het Europees Parlement en de Raad van 8 juni 2011 betreffende beperking van het gebruik van bepaalde gevaarlijke stoffen in elektrische en elektronische apparatuur en in overeenstemming is met de volgende standaarden en reguleringen:
- (FR) Nous déclarons sous notre seule responsabilité que ce produit est conforme aux standards et directives suivants: est conforme à la Directive 2011/65/EU du Parlement Européen et du Conseil du 8 juin 2011 concernant la limitation d'usage de certaines substances dangereuses dans l'équipement électrique et électronique.
- (ES) Declaramos bajo nuestra exclusiva responsabilidad que este producto cumple con las siguientes normas y estándares de funcionamiento: se encuentra conforme con la Directiva 2011/65/UE del Parlamento Europeo y del Consejo de 8 de junio de 2011 sobre la restricción del uso de determinadas sustancias peligrosas en los equipos eléctricos y electrónicos.
- (IT) Dichiariamo, sotto la nostra responsabilità, che questo prodotto è conforme alle normative e ai regolamenti seguenti: è conforme alla Direttiva 2011/65/UE del Parlamento Europeo e del Consiglio dell'8 giugno 2011 sulla limitazione dell'uso di determinate sostanze pericolose nelle apparecchiature elettriche ed elettroniche.
- (SV) Vi försäkrar under vårt eget ansvar att denna produkt överensstämmer med Europaparlamentets och rådets direktiv 2011/65/EU av den 8 juni om begränsning av användningen av vissa farliga ämnen i elektrisk och elektronisk utrustning och är i överensstämmelse och enlighet med följande standarder och föreskrifter:
- (DA) Vi erklærer under eget ansvar, at dette produkt er i overensstemmelse med Europa-Parlamentets og Rådets direktiv 2011/65/EU af 8. juni om begrænsning af brugen af visse farlige stoffer i elektrisk og elektronisk udstyr og overholder og er i overensstemmelse med følgende standarder og regler:
- (PL) Deklarujemy na własną odpowiedzialność, że ten produkt spełnia wymogi zawarte w następujących normach i przepisach: jest zgodny z Dyrektywą 2011/65/UE Parlamentu Europejskiego i Rady z dnia 8 czerwca 2011 r. w sprawie ograniczenia stosowania niektórych niebezpiecznych substancji w sprzęcie elektrycznym i elektronicznym.
- (RO) Declaram sub responsabilitatea exclusivă că acest produs este în conformitate cu Directiva 2011/65/EU a Parlamentului și a Consiliului European din 8 iunie privind restricționarea utilizării anumitor substanțe periculoase în echipamentele electrice și electronice și în conformitate cu următoarele standarde și reglementări:
- (PT) Declaramos, sob nossa exclusiva responsabilidade, que este produto está em conformidade com a diretiva 2011/65/UE do Parlamento Europeu e com a do conselho de 8 de Junho sobre a restrição da utilização de determinadas substâncias perigosas em equipamento eléctrico e electrónico está em conformidade e de acordo com as seguintes normas e regulamentações:
- (HU) Kizárólagos felelősségünk tudatában kijelentjük, hogy ez a termék megfelel az Európai Parlamentnek és a Tanácsnak az egyes veszélyes anyagok elektromos és elektronikus berendezésekben való alkalmazásának korlátozásáról szóló 2011/65/EU irányelvének (2011. június 8.), valamint a következő szabványoknak és jogszabályoknak:
- (CS) Prohlašujeme na svou výhradní odpovědnost, že tento výrobek splňuje požadavky směrnice 2011/65/EU Evropské rady a parlamentu ze dne 8. června, která se týká omezení používání určitých nebezpečných látek v elektrických a elektronických zařízeních, a splňuje také všechny požadavky následujících norem a předpisů:
- (TR) Tek sorumlusu biz olmak üzere bu ürünün Avrupa Parlamentosunun 2011/65/EU ve 8 Haziran 2011 tarihli konseyin elektrikli ve elektronik ekipmanlarda belirlenmiş tehlikeli maddelere kullanımının kısıtlanmasını hakkındaki talimatları ile birlikte aşağıda belirtilen standart ve yönergelere uygun ve uyumlu olduğunu beyan ederiz:

RS501DC:

2011/65/EU, 2014/30/EU, 2006/42/EC, EN62841-1, EN62841-2-11, EN 55014-1, EN 55014-2, 2006/66/EC, 2013/56/EU, UN38.3, 2012/19/EC

S_RS501DC/ S2_RS501DC/ S3_RS501DC/ S4_RS501DC:

EN 55014-1, EN 55014-2, EN 61000-3-2, EN 61000-3-3, EN 62233, EN 62841-1, EN 62841-2-11, EN 60335-1, EN 60335-2-29, EN 62133, 2006/66/EC, 2013/56/EU, UN38.3, 2006/42/EC, 2011/65/EU, 2012/19/EU, 2014/35/EU, 2014/30/EU

Zwolle, 01-03-2022

H.G.F Rosberg
CEO

VONROC - Lingenstraat 6 - 8028 PM Zwolle - The Netherlands



VONROC®
BUILD YOUR FUTURE

©2022 VONROC
WWW.VONROC.COM

2203-24