



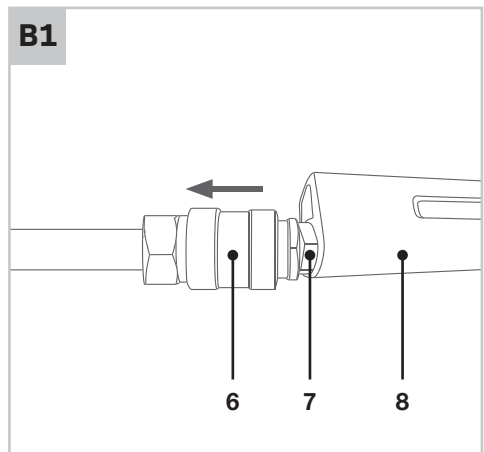
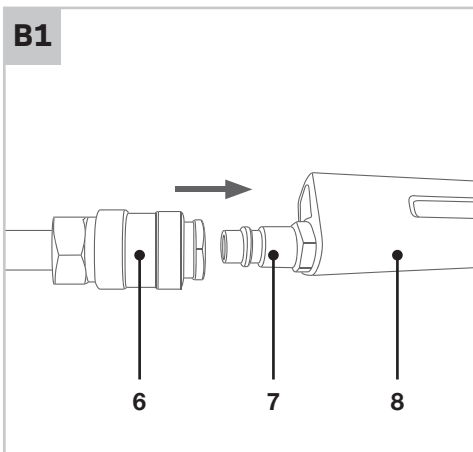
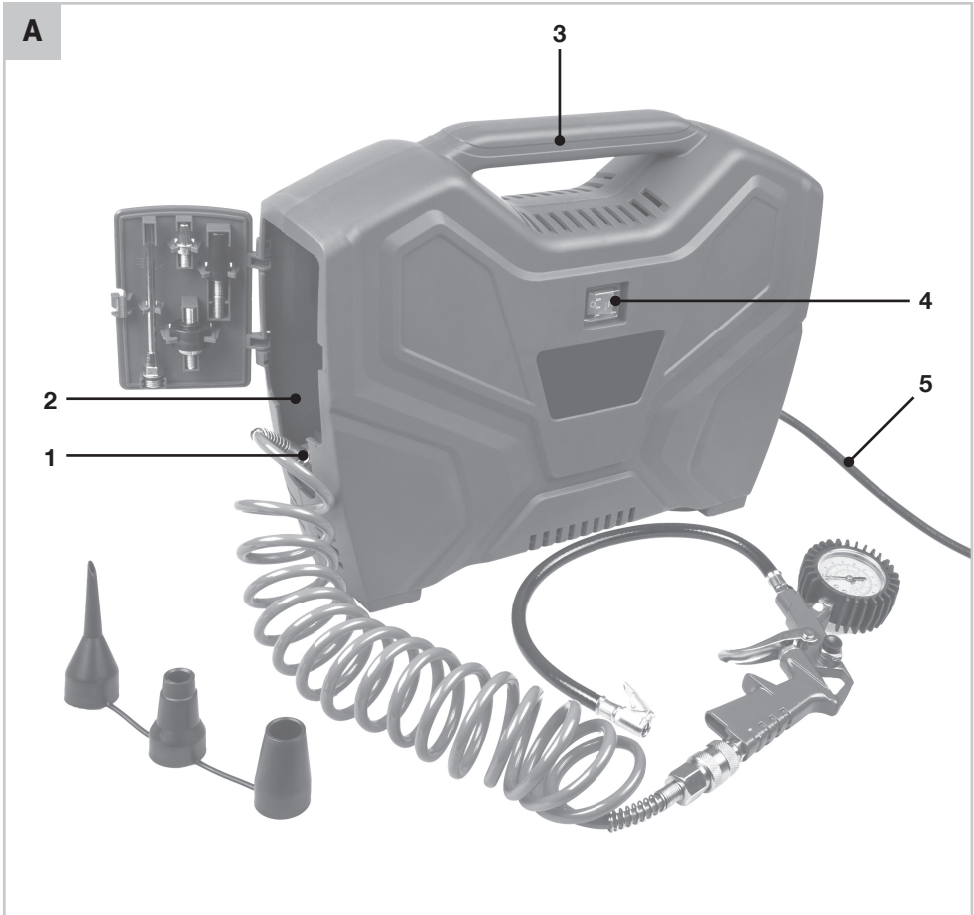
VONROC®

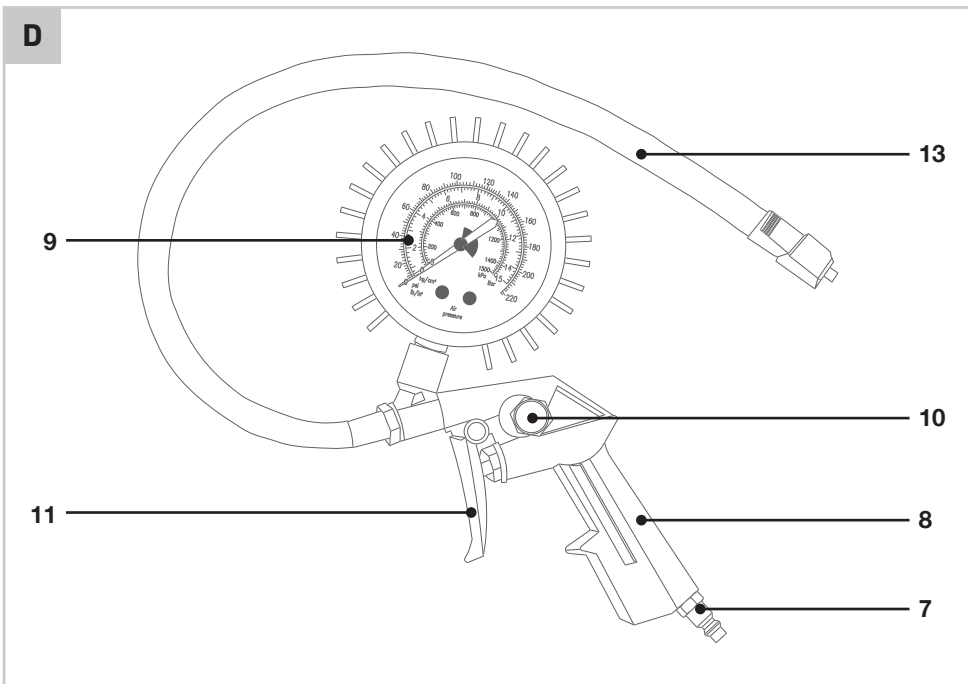
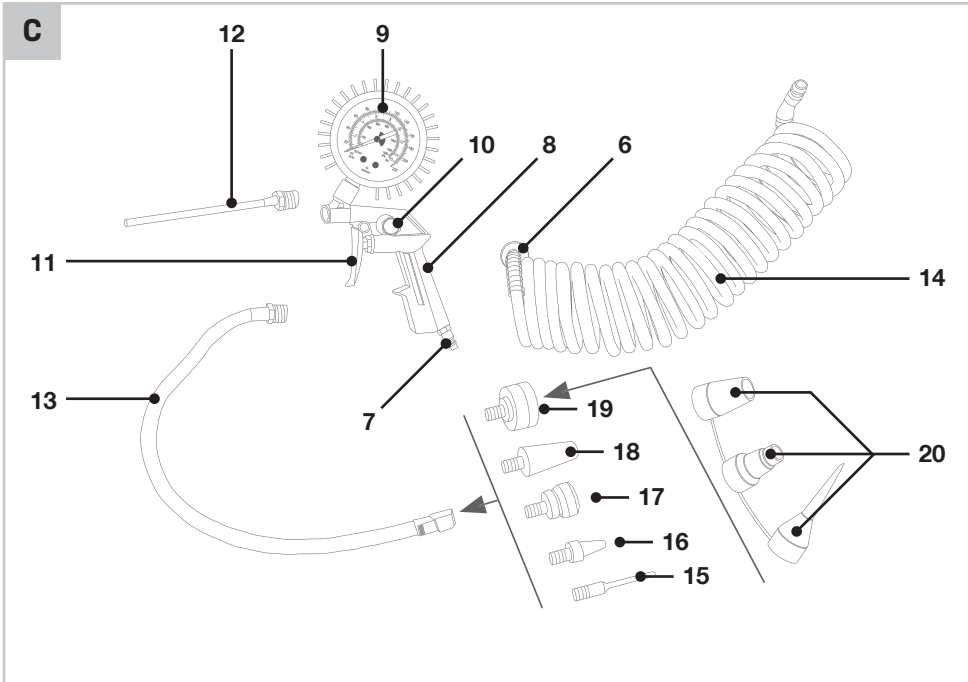
BUILD YOUR FUTURE

PORTABLE COMPRESSOR CR501AC



| | | |
|-----------|---|----|
| EN | Original Instructions | 04 |
| DE | Übersetzung Der Originalbetriebsanleitung | 09 |
| NL | Vertaling van de oorspronkelijke gebruiksaanwijzing | 16 |
| FR | Traduction de la notice originale | 22 |
| ES | Traducción del manual original | 29 |
| IT | Traduzione delle istruzioni originali | 35 |
| SV | Översättning av bruksanvisning i original | 42 |
| DA | Oversættelse af den originale brugsanvisning | 47 |
| PL | Tłumaczenie instrukcji oryginalnej | 53 |
| RO | Traducere a instrucțiunilor originale | 60 |
| PT | Tradução do manual original | 66 |
| HU | Az eredeti utasítások fordítása | 73 |
| CS | Překlad původního návodu | 79 |





1. SAFETY INSTRUCTIONS

Read the enclosed safety warnings, the additional safety warnings and the instructions. Failure to follow the safety warnings and the instructions may result in electric shock, fire and/or serious injury. Save the safety warnings and the instructions for future reference.

The following symbols are used in the user manual or on the product:



Read the user manual.



Denotes risk of personal injury, loss of life or damage to the tool in case of non-observance of the instructions in this manual.



Indoor use only.



Wear ear protection.



Sound power level.



Risk of electric shock.



Risk of burns caused by hot surfaces.



Caution: the compressor could start automatically in case of a black-out and subsequent reset.



Class II machine - Double insulation - You don't need any earthed plug.



Do not dispose of the product in unsuitable containers.



The product is in accordance with the applicable safety standards in the European directives.

GENERAL POWER TOOL SAFETY WARNINGS



WARNING! Read all safety warnings and all instructions. Failure to follow the warnings and instructions may result in electric shock, fire and/or serious injury.

Save all warnings and instructions for future reference.

The term “power tool” in the warnings refers to your mains-operated (corded) power tool or battery-operated (cordless) power tool.

1) Work area safety

- a) **Keep the work area clean and well lit.** Cluttered or dark areas invite accidents.
- b) **Do not operate power tools in explosive atmospheres, such as in the presence of flammable liquids, gases or dust.** Power tools create sparks which may ignite the dust or fumes.
- c) **Keep children and bystanders away while operating a power tool.** Distractions can cause you to lose control.

2) Electrical safety

- a) **Power tool plugs must match the outlet. Never modify the plug in any way. Do not use any adapter plugs with earthed (grounded) power tools.** Unmodified plugs and matching outlets will reduce risk of electric shock.
- b) **Avoid body contact with earthed or grounded surfaces, such as pipes, radiators, ranges and refrigerators.** There is an increased risk of electric shock if your body is earthed or grounded.
- c) **Do not expose power tools to rain or wet conditions.** Water entering a power tool will increase the risk of electric shock.
- d) **Do not abuse the cord. Never use the cord for carrying, pulling or unplugging the power tool. Keep cord away from heat, oil, sharp edges or moving parts.** Damaged or entangled cords increase the risk of electric shock.
- e) **When operating a power tool outdoors, use an extension cord suitable for outdoor use.** Use of a cord suitable for outdoor use reduces the risk of electric shock.
- f) **If operating a power tool in a damp location is unavoidable, use a residual current device (RCD) protected supply.** Use of an RCD reduces the risk of electric shock.

3) Personal safety

- a) **Stay alert, watch what you are doing and use common sense when operating a power tool. Do not use a power tool while you are tired or under the influence of drugs, alcohol or medication.** A moment of inattention while operating power tools may result in serious personal injury.

- b) **Use personal protective equipment. Always wear eye protection.** Protective equipment such as dust mask, non-skid safety shoes, hard hat, or hearing protection used for appropriate conditions will reduce personal injuries.
 - c) **Prevent unintentional starting. Ensure the switch is in the off-position before connecting to power source and/or battery pack, picking up or carrying the tool.** Carrying power tools with your finger on the switch or energising power tools that have the switch on invites accidents.
 - d) **Remove any adjusting key or wrench before turning the power tool on.** A wrench or a key left attached to a rotating part of the power tool may result in personal injury.
 - e) **Do not overreach. Keep proper footing and balance at all times.** This enables better control of the power tool in unexpected situations.
 - f) **Dress properly. Do not wear loose clothing or jewellery. Keep your hair, clothing and gloves away from moving parts.** Loose clothes, jewellery or long hair can be caught in moving parts.
 - g) **If devices are provided for the connection of dust extraction and collection facilities, ensure these are connected and properly used.** Use of dust collection can reduce dust related hazards.
 - h) **Do not let familiarity gained from frequent use of tools allow you to become complacent and ignore tool safety principles.** A careless action can cause severe injury within a fraction of a second.
- 4) Power tool use and care**
- a) **Do not force the power tool. Use the correct power tool for your application.** The correct power tool will do the job better and safer at the rate for which it was designed.
 - b) **Do not use the power tool if the switch does not turn it on and off.** Any power tool that cannot be controlled with the switch is dangerous and must be repaired.
 - c) **Disconnect the plug from the power source and/or the battery pack from the power tool before making any adjustments, changing accessories, or storing power tools.** Such preventive safety measures reduce the risk of starting the power tool accidentally.
 - d) **Store idle power tools out of the reach of children and do not allow persons unfamiliar with the power tool or these instructions to operate the power tool.** Power tools are dangerous in the hands of untrained users.
 - e) **Maintain power tools. Check for misalignment or binding of moving parts, breakage of parts and any other condition that may affect the power tool's operation. If damaged, have the power tool repaired before use.** Many accidents are caused by poorly maintained power tools.
 - f) **Keep cutting tools sharp and clean.** Properly maintained cutting tools with sharp cutting edges are less likely to bind and are easier to control.
 - g) **Use the power tool, accessories and tool bits etc. in accordance with these instructions, taking into account the working conditions and the work to be performed.** Use of the power tool for operations different from those intended could result in a hazardous situation.
 - h) **Keep handles and grasping surfaces dry, clean and free from oil and grease.** Slippery handles and grasping surfaces do not allow for safe handling and control of the tool in unexpected situations.
- 5) Battery tool use and care**
- a) **Recharge only with the charger specified by the manufacturer.** A charger that is suitable for one type of battery pack may create a risk of fire when used with another battery pack.
 - b) **Use power tools only with specifically designed battery packs.** Use of any other battery packs may create a risk of injury and fire.
 - c) **When battery pack is not in use, keep it away from other metal objects, like paper clips, coins, keys, nails, screws or other small metal objects that can make a connection from one terminal to another.** Shorting the battery terminals together may cause burns or a fire.
 - d) **Under abusive conditions, liquid may be ejected from the battery; avoid contact. If contact accidentally occurs, flush with water. If liquid contacts eyes, additionally seek medical help.** Liquid ejected from the battery may cause irritation or burns.
 - e) **Do not use a battery pack or tool that is damaged or modified.** Damaged or modified batteries may exhibit unpredictable behaviour resulting in fire, explosion or risk of injury.
 - f) **Do not expose a battery pack or tool to fire or excessive temperature.** Exposure to fire or temperature above 130 °C may cause explosion. NOTE The temperature „130 °C“ can be replaced by the temperature „265 °F“.
 - g) **Follow all charging instructions and do not charge the battery pack or tool outside the**

temperature range specified in the instructions.

Charging improperly or at temperatures outside the specified range may damage the battery and increase the risk of fire.

6) Service

- a) **Have your power tool serviced by a qualified repair person using only identical replacement parts.** This will ensure that the safety of the power tool is maintained.
- b) **Never service damaged battery packs.** Service of battery packs should only be performed by the manufacturer or authorized service providers.

SPECIAL SAFETY INSTRUCTIONS

- Warning! The compressor may only be used in suitable rooms (with good ventilation and an ambient temperature from 0°C to +40°C).
- Do not perform any actions on the compressor without first having taken the plug out of the plug socket.
- Do not aim water jets or jets of flammable liquids at the compressor.
- Do not place flammable objects near the compressor.
- Switch the switch (3) to the "0" position (OFF) during dwell time.
- Never aim the air jet at persons or animals.
- N.B.: some parts of the compressor such as the head and the feed-through pipes may reach high temperatures. Do not touch these parts to avoid burns.
- Transport the compressor by lifting it or by using the special grips or handles.
- Children and animals should be kept far away from the area of operation of the machine.
- If you use the compressor to spray paint:
 - a) Do not work in enclosed spaces or near naked flames.
 - b) Make sure that the environment in which you will be working has dedicated ventilation.
 - c) Protect your nose and mouth with a dedicated mask.
- Do not use the compressor when the electrical cable or the plug is damaged, and instruct an authorised Support Service to replace them with an original part.
- When the compressor is placed on a surface higher than the floor, it should be secured to prevent it from falling down during operation.
- Do not put objects or your hands in the pro-

tective covers to avoid physical damage and damage to the compressor.

- Do not use the compressor as a blunt instrument against persons, objects or animals in order to prevent serious damage.
- If the compressor is no longer in use, always take the plug out of the plug socket.
- Always make sure that compressed-air hoses are used for compressed air and which are characterised by a maximum pressure adjusted to that of the compressor. Do not try to repair the hose if it is damaged.

SAFETY INSTRUCTIONS FOR WORKING WITH COMPRESSED AIR GUNS

- The compressor and hoses can get very hot during operation. Touching them can cause burns.
- The gases or vapours sucked in by the compressor intake must be kept free of admixtures that could lead to fires or explosions inside the compressor.
- When removing the hose coupling, always hold the hose coupling firmly to avoid injury caused by the hose flying off.
- When working with the blow-out gun, wear goggles. Foreign bodies and blown out particles can easily cause injuries.
- Do not direct the blow-out gun at people or use it to clean clothing you are wearing.

Electrical safety

When using electric machines always observe the safety regulations applicable in your country to reduce the risk of fire, electric shock and personal injury. Read the following safety instructions.



Always check that the voltage of the power supply corresponds to the voltage on the rating plate label.

Replacing cables or plugs

Immediately throw away old cables or plugs when they have been replaced by new ones. It is dangerous to insert the plug of a loose cable in the wall outlet.

Using extension cables

Only use an approved extension cable suitable for the power input of the machine. The minimum conductor size is 1.5 mm². When using a cable reel always unwind the reel completely.

2. MACHINE INFORMATION

Intended use

This appliance is designed for blowing air for cleaning jobs, inflating car tires, bicycle tires, inflatable mattresses, sport balls and etc. in conjunction with the supplied adapter. The appliance is not designed for continuous operation.

TECHNICAL SPECIFICATIONS

| Model No. | CR501AC |
|----------------------|-----------------|
| Voltage | 220-240 V~ |
| Frequency | 50 Hz |
| Motor power | 1100 W |
| Operating mode | S3 15% -10 min* |
| Idling speed | 3750/min |
| IP Class | IP 20 |
| Air intake | 180 l/min |
| Max. outlet pressure | 8.0 Bar |
| Weight | 4.9 kg |
| Sound power level | 97 dB (A) |

* S3 = intermittent operation without the impact of the start-up. This means that during a period of 10 minutes, the maximum operating time is 15% (1.5 min).

DESCRIPTION

The numbers in the text refer to the diagrams on page 2-3.

1. Quick coupler air outlet
2. Accessory compartment
3. Carrying handle
4. Switch
5. Electricity cable
6. Quick coupler
7. Connector
8. Air gun
9. Manometer
10. Release valve
11. Trigger
12. Extension nozzle
13. Hose with air coupler
14. Air hose
15. Ball needle
16. Universal adapter small
17. Valve adapter

18. Universal adapter
19. Nozzle adapter for the nozzle set
20. Nozzle set

3. OPERATION



For household use only.



The appliance vibrates during operation. During operation, always put it down backwards on its rubber feet.

Connecting the device to an outlet (Fig. A)

1. Open the cover and take out the air hose (14) and required accessories from the storage compartment (2).
2. Make sure the ON/OFF switch (4) is in the position 'O' (switch off).
3. Connect the electricity cable (5) to an outlet.



Before using the machine, make sure that the mains voltage complies with the specifications on the rating plate. Long supply cables, extensions, cable reels etc. cause a drop in voltage and can impede motor start up.



The appliance vibrates during operation. During operation, always put it down backwards on its rubber feet.

On/Off switch (Fig. A)

- Move the ON/OFF switch (4) into the position 'I' to switch the appliance on.
- Move the ON/OFF switch (4) into the position 'O' to switch the appliance off.



The appliance is not designed for continuous operation. To prevent the motor from overheating, the appliance may only be used as follows: Within a period of 10 minutes, the appliance may only be operated for 15% of the period so 1,5 minute. During the rest of the period (8.5 minutes) the appliance needs to cool down again.

Connecting the air gun (Fig. B1)

- Insert the connector (7) of the air gun (8) into the quick coupler (6) on the air hose. When pushing, the connector clicks into place to secure the air gun.

Disconnecting the air gun (Fig. B2)

When releasing the quick coupler, be sure to hold the coupling to protect yourself from injury from the rebounding hose.

- Pull back the sleeve on the quick coupler (6) and remove the tool.

Using the air gun as blow-out pistol (Fig. C)

This way the air gun (8) can be used for blowing air for several cleaning purposes and to clear hard-to-reach areas. The trigger (11) on the gun (8) allows exact dosing of the air volume.

1. Unscrew the hose (13) from the air gun (8)
2. Replace it by the extension nozzle (12).

Using the air gun for inflating car tires (Fig. C & D)

This way the air gun (8) can be used for inflating tires, inflatable beds etc.

1. In case the hose (13) is not assembled, connect it to the air gun (8) by screwing.
2. Connect the air coupler directly to a air valve of the object to be inflated. To connect: press the clamp on the hose (13) and push it onto the valve of the object.
3. First check the pressure of the object. Read the pressure on the gauge (9):
 - Pressure too high: press the button (10) on the left side to release air.
 - Pressure too low: press the trigger (11) to fill the object till required pressure.
4. Check pressure by releasing the trigger (11) and read the pressure gauge (9).
5. Disconnect the tyre inflating gun.



Check the service-manual of your car for the correct tyre pressure of your car.



The manometer (9) is not calibrated! After inflating tires always check the tire pressure with a calibrated device, for example at a petrol station.



Risk of injury! Do not pump any objects up to more than the intended pressure. They could burst and cause injury and/or material damage.

Using the adapters for inflating other items (Fig. C & D)

The air gun (8) comes with several adapter types (15-20) for inflating all kinds of objects. These adapters (15-19) can be connected directly to the air coupler (13). To connect, press the clamp on the coupler (13) and attach the adapter (15-19) you want to use.

Ball needle (Fig. C)

The ball needle (15) can be used to inflate balls. Push the needle (15) into a ball valve and inflate the ball as described above.

Universal adapter (Fig. C)

The universal adapters (16,18) facilitates easy inflation of air mattresses, swimming bands etc. Push one of the adapters (16,18) onto the valve and inflate as described above.

Valve adapter (Fig. C)

The valve adapter (17) facilitates easy inflation of bicycle tires. And works well with 'Sclaverand' valves, race valves and universal 'Dunlop' valves. Push the adapter (17) onto the valve and inflate as described above.

Nozzle set (Fig. C)

The nozzles (20) facilitates easy inflation of air mattresses, swimming bands etc. Push one of the nozzles (20) onto the nozzle adapter (19) and inflate as described above.

4. MAINTENANCE

Always disconnect the machine from the main power supply before carrying out any maintenance work.

Clean the machine casings regularly with a soft cloth, preferably after each use. Make sure that the ventilation openings are free of dust and dirt. Remove very persistent dirt using a soft cloth moistened with soapsuds. Do not use any solvents such as gasoline, alcohol, ammonia, etc. Chemicals such as these will damage the synthetic components.

ENVIRONMENT



Faulty and/or discarded electrical or electronic apparatus have to be collected at the appropriate recycling locations.

Only for EC countries

Do not dispose of power tools into domestic waste. According to the European Guideline 2012/19/EC for Waste Electrical and Electronic Equipment and its implementation into national right, power tools that are no longer usable must be collected separately and disposed of in an environmentally friendly way.

WARRANTY

VONROC products are developed to the highest quality standards and are guaranteed free of defects in both materials and workmanship for the period lawfully stipulated starting from the date of original purchase. Should the product develop any failure during this period due to defective material and/or workmanship then contact VONROC directly.

The following circumstances are excluded from this guarantee:

- Repairs and or alterations have been made or attempted to the machine by unauthorized service centers;
- Normal wear and tear;
- The tool has been abused, misused or improperly maintained;
- Non-original spare parts have been used.

This constitutes the sole warranty made by company either expressed or implied. There are no other warranties expressed or implied which extend beyond the face hereof, herein, including the implied warranties of merchantability and fitness for a particular purpose. In no event shall VONROC be liable for any incidental or consequential damages. The dealers remedies shall be limited to repair or replacement of nonconforming units or parts.

The product and the user manual are subject to change. Specifications can be changed without further notice.

1. SICHERHEITSANWEISUNGEN

Lesen Sie die beiliegenden Sicherheitsanweisungen, die zusätzlichen Sicherheitsanweisungen sowie die Bedienungsanleitung. Das Nichtbeachten der Sicherheitsanweisungen und der Bedienungsanleitung kann zu einem Stromschlag, Feuer und/oder schweren Verletzungen führen. Bewahren Sie die Sicherheitsanweisungen und die Bedienungsanleitung zur künftigen Bezugnahme auf.

Folgende Symbole werden im Benutzerhandbuch oder auf dem Produkt verwendet:



Lesen Sie das Benutzerhandbuch.



Lebens- und Verletzungsgefahr und Gefahr von Beschädigungen am Gerät bei Nichteinhaltung der Sicherheitsvorschriften in dieser Anleitung.



Nur für Innenbereiche!



Gehörschutz tragen.



Außengeräusch.



Deutet das Vorhandensein elektrischer Spannung an.



Verbrennungsgefahr durch heiße Oberflächen.



Achtung! Der Kompressor könnte bei einem Stromausfall nach rückkehr des Stroms automatisch neustarten.



Werkzeug/Gerät der Schutzklasse II -schutzisoliert - kein Schutzkontaktanschluss erforderlich.



Produkt vorschriftsmäßig entsorgen, nicht über den Hausmüll.



Das Produkt entspricht den geltenden Sicherheitsnormen der europäischen Richtlinien.

ALLGEMEINE SICHERHEITSHINWEISE



ACHTUNG! Lesen Sie alle Sicherheitshinweise und Anweisungen. Fehler bei der Einhaltung der nachstehend aufgeführten Anweisungen können elektrischen Schlag, Brand und/oder schwere Verletzungen verursachen.

Bewahren Sie diese Anweisungen gut auf. Der nachfolgend verwendete Begriff „Elektrowerkzeug“ bezieht sich auf netzbetriebene Elektrowerkzeuge (mit Netzkabel) und auf akkubetriebene Elektrowerkzeuge (ohne Netzkabel).

1) Arbeitsplatz

- a) **Halten Sie Ihren Arbeitsbereich sauber und aufgeräumt.** Unordnung und unbeleuchtete Arbeitsbereiche können zu Unfällen führen.
- b) **Arbeiten Sie mit dem Gerät nicht in explosionsgefährdeter Umgebung, in der sich brennbare Flüssigkeiten, Gase oder Staub befinden.** Elektrowerkzeuge erzeugen Funken, die den Staub oder die Dämpfe entzünden können.
- c) **Halten Sie Kinder und andere Personen während der Benutzung des Elektrowerkzeugs fern.** Bei Ablenkung können Sie die Kontrolle über das Gerät verlieren.

2) Elektrische Sicherheit

- a) **Der Anschlussstecker des Gerätes muss in die Steckdose passen. Der Netzstecker darf in keiner Weise verändert werden. Verwenden Sie keine Adapterstecker gemeinsam mit geschützten Geräten.** Unveränderte Netzstecker und passende Steckdosen verringern das Risiko eines elektrischen Schlages.
- b) **Vermeiden Sie Körperkontakt mit geerdeten Oberflächen, wie von Rohren, Heizungen, Herden und Kühlschränken.** Es besteht ein erhöhtes Risiko durch elektrischen Schlag, wenn Ihr Körper geerdet ist.
- c) **Halten Sie das Gerät von Regen oder Nässe fern.** Das Eindringen von Wasser in ein Elektrogerät erhöht das Risiko eines elektrischen Schlages.
- d) **Zweckfremden Sie das Netzkabel nicht, um das Gerät zu tragen, aufzuhängen oder um den Netzstecker aus der Steckdose zu ziehen. Halten Sie das Netzkabel fern von Hitze, Öl, scharfen Kanten oder sich bewegenden Geräteteilen.** Beschädigte oder verwickelte Netzkabel erhöhen das Risiko eines elektrischen Schlages.

- e) **Wenn Sie mit einem Elektrowerkzeug im Freien arbeiten, verwenden Sie nur Verlängerungskabel, die auch für den Außenbereich zugelassen sind.** Die Anwendung eines für den Außenbereich geeigneten Verlängerungskabels verringert das Risiko eines elektrischen Schlages.
- f) **Wenn sich Arbeiten mit einem Elektrowerkzeug in feuchten Umgebungen nicht vermeiden lassen, verwenden Sie eine Stromversorgung mit einer Fehlerstrom-Schutzeinrichtung (RCD).** Durch die Verwendung einer RCD wird die Gefahr eines elektrischen Schlages verringert.

3) Sicherheit von Personen

- a) **Seien Sie aufmerksam. Achten Sie darauf, was Sie tun, und gehen Sie mit Vernunft an die Arbeit mit einem Elektrowerkzeug. Benutzen Sie das Gerät nicht, wenn Sie müde sind oder unter dem Einfluss von Drogen, Alkohol oder Medikamenten stehen.** Ein Moment der Unachtsamkeit beim Gebrauch des Gerätes kann zu ernsthaften Verletzungen führen.
- b) **Tragen Sie persönliche Schutzausrüstung und immer eine Schutzbrille.** Das Tragen persönlicher Schutzausrüstung, wie Staubmaske, rutschfeste Sicherheitsschuhe, Schutzhelm oder Gehörschutz, je nach Art und Einsatz des Elektrowerkzeuges, verringert das Risiko von Verletzungen.
- c) **Vermeiden Sie eine unbeabsichtigte Inbetriebnahme. Vergewissern Sie sich, dass der Schalter in der Position „AUS(0)“ ist, bevor Sie den Netzstecker in die Steckdose stecken.** Wenn Sie beim Tragen des Geräts den Finger am Schalter haben oder das Gerät eingeschaltet an die Stromversorgung anschließen, kann dies zu Unfällen führen.
- d) **Entfernen Sie Einstellwerkzeuge oder Schraubenschlüssel, bevor Sie das Gerät einschalten.** Ein Werkzeug oder Schlüssel, der sich in einem drehenden Geräteteil befindet, kann zu Verletzungen führen.
- e) **Überschätzen Sie sich nicht. Sorgen Sie für einen sicheren Stand und halten Sie jederzeit das Gleichgewicht.** Dadurch können Sie das Gerät in unerwarteten Situationen besser kontrollieren.
- f) **Tragen Sie geeignete Kleidung. Tragen Sie keine weite Kleidung oder Schmuck. Halten Sie Haare, Kleidung und Handschuhe fern von sich bewegenden Teilen.** Lockere Kleidung, Schmuck oder lange Haare können von sich bewegenden Teilen erfasst werden.

- g) **Wenn Staubabsaug- und -auffangeinrichtungen montiert werden können, vergewissern Sie sich, dass diese angeschlossen sind und richtig verwendet werden.** Das Verwenden dieser Einrichtungen verringert Gefährdungen durch Staub.
- h) **Achten Sie darauf, nicht durch häufigen Gebrauch von Werkzeugen nachlässig zu werden und die Prinzipien zum sicheren Umgang mit den Werkzeugen zu ignorieren.** Eine unachtsame Handlung kann innerhalb von Sekundenbruchteilen schwere Verletzungen verursachen.
- 4) Sorgfältiger Umgang und Gebrauch von Elektrowerkzeugen**
- a) **Überlasten Sie das Gerät nicht. Verwenden Sie für Ihre Arbeit das dafür bestimmte Elektrowerkzeug.** Mit dem passenden Elektrowerkzeug arbeiten Sie besser und sicherer im angegebenen Leistungsbereich.
- b) **Benutzen Sie kein Elektrowerkzeug, dessen Schalter defekt ist.** Ein Elektrowerkzeug, das sich nicht mehr ein- oder ausschalten lässt, ist gefährlich und muss repariert werden.
- c) **Ziehen Sie den Netzstecker aus der Steckdose, bevor Sie Geräteeinstellungen vornehmen, Zubehörteile wechseln oder das Gerät weglegen.** Diese Vorsichtsmaßnahme verhindert den unbeabsichtigten Start des Geräts.
- d) **Bewahren Sie unbenutzte Elektrowerkzeuge außerhalb der Reichweite von Kindern auf. Lassen Sie Personen das Gerät nicht benutzen, die mit diesem nicht vertraut sind oder diese Anweisungen nicht gelesen haben.** Elektrowerkzeuge sind gefährlich, wenn Sie von unerfahrenen Personen benutzt werden.
- e) **Pflegen Sie das Gerät mit Sorgfalt. Kontrollieren Sie, ob bewegliche Geräteteile einwandfrei funktionieren und nicht klemmen, ob Teile gebrochen oder so beschädigt sind, dass die Funktion des Gerätes beeinträchtigt ist. Lassen Sie beschädigte Teile vor dem Einsatz des Gerätes reparieren.** Viele Unfälle haben ihre Ursache in schlecht gewarteten Elektrowerkzeugen.
- f) **Halten Sie Schneidwerkzeuge scharf und sauber.** Sorgfältig gepflegte Schneidwerkzeuge mit scharfen Schneidkanten verkleben sich weniger und sind leichter zu führen.
- g) **Verwenden Sie Elektrowerkzeug, Zubehör, Einsatzwerkzeuge usw. entsprechend diesen Anweisungen und so, wie es für diesen speziellen Gerätetyp vorgeschrieben ist. Berücksichtigen Sie dabei die Arbeitsbedingungen und die auszuführende Tätigkeit.** Der Gebrauch von Elektrowerkzeugen für andere als die vorgesehenen Anwendungen kann zu gefährlichen Situationen führen.
- h) **Halten Sie Griffe und Greifflächen immer trocken, sauber und frei von Öl und Fett.** Rutschige Griffe und Greifflächen verhindern in unerwarteten Situationen den sicheren Umgang mit dem Werkzeug und die richtige Kontrolle darüber.
- 5) Umgang mit Akkuwerkzeugen**
- a) **Zum Laden ist ausschließlich das vom Hersteller angegebene Ladegerät zu verwenden.** Ein Ladegerät, das für eine Art von Akku geeignet ist, kann bei Verwendung mit einer anderen Art von Akku Brandgefahr verursachen.
- b) **Elektrowerkzeuge dürfen nur mit speziell dazu bestimmten Akkus verwendet werden,** da bei der Verwendung anderer Akkus Verletzungs- und Brandgefahr entstehen kann.
- c) **Wenn der Akku nicht in Gebrauch ist, ist er von Büroklammern, Münzen, Schlüssel, Nägel, Schrauben und anderen kleinen Metallobjekten fernzuhalten, die eine Verbindung zwischen den Polen bilden können.** Kurzschließen der Pole kann Brand oder Verbrennungen verursachen.
- d) **Bei falschem Umgang mit dem Akku kann Flüssigkeit aus dem Akku austreten. Die Berührung dieser Flüssigkeit ist zu vermeiden. Bei Berührung den betroffenen Körperteil mit Wasser abspülen. Bei Berührung der Flüssigkeit mit den Augen muss zusätzlich ärztliche Hilfe gerufen werden.** Die Akkuflüssigkeit kann Reizungen oder Verbrennungen verursachen.
- e) **Verwenden Sie keinesfalls Akkus und Werkzeuge, die beschädigt oder verändert wurden.** Beschädigte oder veränderte Akkus können ein unvorhersehbares Verhalten zeigen, das zu Feuer, Explosionen oder Verletzungsgefahren führt.
- f) **Setzen Sie Akkus oder Werkzeuge keinem Feuer oder Temperaturen über 130 °C können zu Explosionen führen. HINWEIS: Die Temperaturangabe „130 °C“ kann durch die Temperaturangabe „265 °F“ ersetzt werden.**
- g) **Beachten Sie alle Hinweise zum Aufladen und laden Sie Akkus oder Werkzeuge nicht außerhalb der in der Anleitung angegebenen Temperaturbereiche auf.** Unsachgemäßes Aufladen oder Aufladen bei Temperaturen außerhalb des angegebenen Bereichs kann den Akku schädigen und die Brandgefahr erhöhen.

6) Service

- a) **Lassen Sie Ihre Werkzeuge durch einen qualifizierten Reparaturtechniker ausschließlich mit identischen Ersatzteilen warten.** So lässt sich eine gleich bleibende Sicherheit des Elektrowerkzeugs gewährleisten.
- b) **Beschädigte Akkus dürfen keinesfalls gewartet werden.** Die Wartung von Akkus darf nur vom Hersteller oder von Vertragswerkstätten durchgeführt werden.

SPEZIELLE SICHERHEITSVORSCHRIFTEN

- Warnung! Der Kompressor darf nur in entsprechenden Räumen verwendet werden (mit einer guten Belüftung und einer Raumtemperatur von 0°C bis +40°C).
- Vor dem Ausführen von Handlungen am Kompressor immer erst den Stecker aus der Steckdose ziehen.
- Kein Wasser oder entflammbare Flüssigkeiten auf den Kompressor sprühen.
- In der Nähe des Kompressors dürfen sich keine entflammbaren Objekte befinden.
- Wenn der Kompressor angehalten ist, den Schalter (4) auf die Stellung „0“ (OFF) schalten.
- Den Luftstrahl nicht auf Personen oder Tiere richten.
- Vorsicht: Einige Kompressorteile, wie z. B. der Kopf und die Leitungen, können hohe Temperaturen erreichen. Um Brandwunden zu vermeiden, diese Teile nicht berühren.
- Zum Transport des Kompressors das Gerät anheben oder die speziellen Transportgriffe verwenden.
- Kinder und Tiere weit vom Funktionsbereich des Geräts entfernt halten.
- Wenn Sie den Kompressor für Anstricharbeiten verwenden:
 - a) Nicht in geschlossenen Umgebungen oder in der Nähe von offenem Feuer arbeiten.
 - b) Sicherstellen, dass die Arbeitsumgebung mit entsprechender Ventilation ausgestattet ist.
 - c) Nase und Mund mit einer entsprechenden Maske schützen.
- Wenn das Stromkabel oder der Stecker beschädigt ist, den Kompressor nicht gebrauchen und das beschädigte Teil bei einem autorisierten Servicezentrum gegen ein Originalteil austauschen lassen.
- Wenn der Kompressor auf einer Fläche oberhalb des Fußbodens aufgestellt wird, muss er fest-

gesetzt werden, damit er während des Betriebs nicht fallen kann.

- Keine Objekte oder Hände durch die Schutzgitter stecken, um Verletzungen und Schäden am Kompressor zu vermeiden.
- Den Kompressor und das Zubehör nicht gegen Personen, Dinge oder Tiere richten, um schwere Schäden zu vermeiden.
- Bei Nichtverwendung des Kompressors immer den Stecker aus der Steckdose ziehen.
- Sicherstellen, dass immer Pneumatikleitungen für Druckluft verwendet werden, die für einen mit dem Kompressor übereinstimmenden Maximaldruck geeignet sind. Beschädigte Leitungen nicht versuchen zu reparieren.

SICHERHEITSHINWEISE ZUM ARBEITEN MIT DRUCKLUFT UND AUSBLASPISTOLEN

- Verdichterpumpe und Leitungen erreichen im Betrieb hohe Temperaturen. Berührungen führen zu Verbrennungen.
- Die vom Kompressor angesaugte Luft ist frei von Beimengungen zu halten, die in der Verdichterpumpe zu Bränden oder Explosionen führen können.
- Halten Sie beim Lösen der Schlauchkupplung das Kupplungsstück des Schlauches mit der Hand fest. So vermeiden Sie Verletzungen durch den zurückschnellenden Schlauch.
- Bei Arbeiten mit der Ausblaspistole Schutzbrille tragen. Durch Fremdkörper und weggeblasene Teile können leicht Verletzungen verursacht werden.
- Mit der Ausblaspistole keine Personen anblasen oder Kleidung am Körper reinigen. Verletzungsgefahr!

Elektrische Sicherheit

Beachten beim Benutzen von Elektromaschinen immer die örtlichen Sicherheitsvorschriften bezüglich Feuerrisiko, Elektroschock und Verletzung. Lesen Sie außer den folgenden Hinweisen ebenfalls die Sicherheitsvorschriften im einschlägigen Sonderteil. Die Hinweise müssen sicher aufbewahrt werden!



Überprüfen Sie immer, ob Ihre Netzspannung der des Typenschildes entspricht.

Austausch von Kabeln oder Steckern

Alte Kabel oder Stecker sofort wegwerfen, wenn sie durch neue ersetzt wurden. Es ist gefährlich,

den Stecker eines losen Kabels in eine Steckdose zu stecken.

Verwendung von Verlängerungskabeln

Nur ein zugelassenes Verlängerungskabel verwenden, das für die Eingangsleistung der Maschine geeignet ist. Die minimale Leitergröße beträgt 1,5 mm². Bei Verwendung einer Kabeltrommel die Trommel immer vollständig abwickeln.

2. ANGABEN ZUM WERKZEUG

Verwendungszweck

Dieses Gerät ist zum Blasen von Luft für Reinigungsarbeiten sowie zum Aufblasen von Autoreifen, Fahrradreifen, Luftmatratzen, Sportbällen etc. in Verbindung mit dem mitgelieferten Adapter vorgesehen. Das Gerät ist nicht für den Dauerbetrieb ausgelegt.

TECHNISCHE DATEN

| Modellnummer | CR501AC |
|------------------|------------------|
| Spannung | 220-240 V~ |
| Frequenz | 50 Hz |
| Motorleistung | 1100 W |
| Leerlaufdrehzahl | 3750/min |
| Betriebsart | S3 15% -10 Min.* |
| IP Klasse | IP 20 |
| Ansaugleistung | 180 l/min |
| Maximaldruck | 8.0 bar |
| Gewicht | 4.9 kg |
| Außengeräusch | 97 dB (A) |

* S3 = Aussetzbetrieb ohne Auswirkungen der Inbetriebnahme. Das bedeutet, dass während eines Zeitraums von 10 Minuten die maximale Betriebsdauer 15% (1,5 min) beträgt.

BESCHREIBUNG

Die Ziffern im nachstehenden Text verweisen auf die Abbildungen auf Seite 2-3.

1. Schnellkupplung-Luftauslass
2. Zubehörfach
3. Tragegriff
4. Schalter
5. Stromkabel

6. Schnellkupplung
7. Anschluss
8. Luftpistole
9. Manometer
10. Ablassventil
11. Abzug
12. Verlängerungsdüse
13. Schlauch mit Luftpumpe
14. Luftpumpe
15. Ballnadel
16. Universaladapter, klein
17. Ventiladapter
19. Universaladapter
19. Düsenadapter für Düsenset
20. Düsenset

3. BETRIEB



Nur für den Heimgebrauch.



Das Gerät vibriert während des Betriebs. Stellen Sie es daher während des Betriebs immer auf seine GummifüÙe.

Anschluss des Geräts an eine Steckdose (Fig. A)

1. Open the cover and take out the air hose (14) and required accessories from the storage compartment (2).
2. Achten Sie darauf, dass der Ein-/Ausschalter (4) in der Position 'O' (ausgeschaltet) steht.
3. Stecken Sie das Stromkabel (5) in eine Steckdose.



Stellen Sie vor der Verwendung der Maschine sicher, dass die Netzspannung mit den Angaben auf dem Typenschild übereinstimmt. Lange Versorgungskabel, Verlängerungen, Kabeltrommeln usw. verursachen einen Rückgang der Spannung und können den Motoranlauf behindern.



Das Gerät vibriert während des Betriebs. Stellen Sie es daher während des Betriebs immer auf seine GummifüÙe.

Ein-/Ausschalter (Fig. A)

- Stellen Sie den Ein-/Ausschalter (4) in die Position 'I', um das Gerät einzuschalten.
- Stellen Sie den Ein-/Ausschalter (4) in die Position 'O', um das Gerät auszuschalten.



Das Gerät ist nicht für den Dauerbetrieb ausgelegt. Um die Überhitzung des Motors zu vermeiden, darf das Gerät nur wie folgt verwendet werden: Innerhalb eines Zeitraums von 10 Minuten darf das Gerät nur für 15% dieses Zeitraums, also für 1,5 Minuten betrieben werden. Während des restlichen Zeitraums (8,5 Minuten) muss das Gerät wieder abkühlen.

Anschließen der Luftpistole (Fig. B1)

- Stecken Sie den Anschluss (7) der Luftpistole (8) in die Schnellkupplung (6) am Luftschlauch. Beim Hineinschieben rastet der Anschluss ein, um die Luftpistole zu sichern.

Trennen der Luftpistole (Fig. B2)



Halten Sie die Schnellkupplung beim Lösen gut fest, um sich vor Verletzungen durch den sich lösenden Schlauch zu schützen.

- Ziehen Sie an der Hülse der Schnellkupplung (6) und nehmen Sie das Werkzeug ab.

Verwendung der Luftpistole als Ausblaspistole (Fig. C)

Auf diese Weise kann die Luftpistole (8) zum Einblasen von Luft für verschiedene Reinigungszwecke sowie für schwer erreichbare Stellen verwendet werden. Der Auslöser (11) an der Pistole (8) ermöglicht die exakte Dosierung des Luftvolumens.

- Schrauben Sie den Schlauch (13) von der Luftpistole (8) ab.
- Ersetzen Sie ihn durch die Verlängerungsdüse (12).

Verwendung der Luftpistole zum Aufblasen von Autoreifen (Fig. C & D)

Auf diese Weise kann die Luftpistole (8) zum Aufpumpen von Reifen, Luftbetten usw. verwendet werden.

- Falls der Schlauch (13) noch nicht montiert ist, schrauben Sie ihn an die Luftpistole (8).
- Verbinden Sie die Luftkupplung direkt mit einem Luftventil des Gegenstands, der aufgeblasen werden soll. Anschließen: Drücken Sie die Klemme am Schlauch (13) zusammen und schieben Sie den Schlauch über das Ventil des aufzublasenden Gegenstands.

- Überprüfen Sie zuerst den Druck des aufzublasenden Gegenstands. Lesen Sie den Druck vom Manometer ab (9):
 - Zu hoher Druck: Drücken Sie auf den Knopf auf der linken Seite, um Luft abzulassen (10).
 - Zu niedriger Druck: Drücken Sie auf den Ein-/Ausschalter, um das Objekt bis zum gewünschten Druck zu füllen (11).
- Überprüfen Sie den Druck, indem Sie den Ein-/Ausschalter (11) loslassen und den Wert vom Manometer ablesen.
- Koppeplen Sie die Reifenfüllpistole wieder ab.



Der korrekte Reifendruck für Kraftfahrzeuge ist der entsprechenden Wartungsanleitung zu entnehmen.



Das Manometer (9) ist nicht kalibriert! Überprüfen Sie nach dem Aufpumpen von Reifen immer mit einem geeichten Gerät den Reifendruck, beispielsweise an einer Tankstelle.



Verletzungsgefahr! Pumpen Sie Gegenstände nicht auf mehr als den vorgegebenen Druck auf. Sie könnten platzen und Verletzungen und/oder Sachschäden verursachen.

Verwendung des Adapters zum Aufblasen anderer Gegenstände (Fig. C & D)

Die Luftpistole (8) ist mit mehreren Adaptertypen (15-20) zum Aufblasen verschiedener Gegenstände ausgestattet. Diese Adapter (15-19) können direkt mit der Luftkupplung (13) verbunden werden. Zum Anschließen drücken Sie die Klemme an der Kupplung (13) zusammen und bringen Sie den Adapter (15-19) an, den Sie verwenden möchten.

Ballnadel (Fig. C)

Die Ballnadel (15) kann verwendet werden, um Bälle aufzublasen. Drücken Sie die Nadel (15) in ein Ballventil und blasen Sie den Ball wie oben beschrieben auf.

Universaladapter (Fig. C)

Der Universaladapter (16, 18) erleichtert das Aufblasen von Luftmatratzen, Schwimmreifen usw. Schieben Sie den Adapter (16, 18) auf das Ventil

und blasen Sie den Gegenstand wie oben beschrieben auf.

Ventiladapter (Fig. C)

Der Ventiladapter (17) erleichtert das Aufblasen von Fahrradreifen. Und er eignet sich gut für 'Sclaverand'-Ventile, Rennradventile und 'Dunlop'-Universalventile. Schieben Sie den Adapter (17) auf das Ventil und blasen Sie den Gegenstand wie oben beschrieben auf.

Düsenset (Fig. C)

Das Düsenset (20) erleichtert das Aufblasen von Luftmatratzen, Schwimmreifen usw. Schieben Sie eine der Düsen (20) auf den Düsenadapter (19) und blasen Sie den Gegenstand wie oben beschrieben auf.

5. WARTUNG



Trennen Sie die Maschine immer vom Stromnetz, bevor Sie Wartungsarbeiten durchführen.

Die Maschinengehäuse regelmäßig mit einem weichen Tuch reinigen, vorzugsweise nach jedem Gebrauch. Sicherstellen, dass die Ventilatoröffnungen frei von Staub und Schmutz sind. Sehr hartnäckigen Schmutz mit einem mit Seifenlauge befeuchteten Tuch entfernen. Keine Lösungsmittel, wie Benzin, Alkohol, Ammoniak usw., da solche Chemikalien die synthetischen Komponenten beschädigen können.

UMWELTSCHUTZ



Schadhafte und/oder zu entsorgende elektrische oder elektronische Werkzeuge und Geräte müssen an den dafür vorgesehenen Recycling-Stellen abgegeben werden.

Nur für EG-Länder

Entsorgen Sie Elektrowerkzeuge nicht über den Hausmüll. Entsprechend der EU-Richtlinie 2012/19/ EG über Elektro- und Elektronik-Altgeräte sowie der Umsetzung in nationales Recht müssen Elektrowerkzeuge, die nicht mehr im Gebrauch sind, getrennt gesammelt und umweltschonend entsorgt werden.

GARANTIE

VONROC-Produkte werden nach den höchsten Qualitätsstandards entwickelt und sind für den gesetzlich festgelegten Zeitraum, ausgehend von dem ursprünglichen Kaufdatum, garantiert frei von Fehlern in Material und Ausführung. Sollte das Produkt in diesem Zeitraum aufgrund von Material- und/ oder Verarbeitungsmängeln Fehler aufweisen, wenden Sie sich bitte direkt an VONROC Kundendienst.

Folgende Umstände sind von der Garantie ausgeschlossen:

- Reparaturen und oder Änderungen an der Maschine, die durch nicht-autorisierte Servicestellen vorgenommen oder versucht wurden.
- Normale Abnutzung und Verschleiß.
- Das Werkzeug wurde übermäßig beansprucht, missbräuchlich verwendet oder falsch gewartet.
- Es wurden keine Original-Ersatzteile verwendet.

Dies stellt die einzige Gewährleistung des Unternehmens dar, sowohl ausdrücklich als auch implizit. Es gibt keine anderen ausdrücklichen oder stillschweigenden Garantien, die über das hier Genannte hinausgehen, einschließlich der stillschweigenden Garantien der Marktgängigkeit oder Eignung für einen bestimmten Zweck. In keinem Fall ist VONROC haftbar für Neben- oder Folgeschäden. Die Rechtsmittel des Händlers beschränken sich auf Reparatur oder Ersatz fehlerhafter Einheiten oder Teile.

Am Produkt und am Benutzerhandbuch können Änderungen vorgenommen werden. Die technischen Daten können sich ohne Vorankündigung ändern.

1. VEILIGHEIDSVOORSCHRIFTEN

Lees de bijgesloten veiligheidsvoorschriften, de aanvullende veiligheidsvoorschriften en de instructies. Het niet in acht nemen van de veiligheidsvoorschriften en de instructies kan leiden tot elektrische schok, brand en/of ernstig letsel. Bewaar de veiligheidsvoorschriften en de instructies voor toekomstig gebruik.

De volgende symbolen worden gebruikt in de gebruikershandleiding of op het product:



Lees de gebruikershandleiding.



Gevaar voor lichamelijk letsel of materiële schade wanneer de instructies in deze handleiding niet worden opgevolgd.



Alleen voor gebruik binnenshuis!



Draag bij gebruik van deze machine gehoorbescherming.



Geluidvermogen.



Gevaar voor elektrische schok.



Gevaar voor brandwonden veroorzaakt door warme oppervlakken.



Pas op! De compressor kan bij stroomuitval en daaropvolgend stroomherstel automatisch van start gaan.



Klasse II apparaat - Dubbel geïsoleerd - Een geaarde stekker is niet noodzakelijk.



Werp het product niet weg in ongeschikte containers.



Het product is in overeenstemming met de van toepassing zijnde veiligheidsnormen in de Europese richtlijnen.

ALGEMENE VEILIGHEIDSVOORSCHRIFTEN



WAARSCHUWING! Lees alle veiligheids-
waarschuwingen en alle instructies. Het
niet opvolgen van onderstaande instructies
kan leiden tot een elektrische schok, brand
en/of ernstig persoonlijk letsel.

Bewaar deze instructies.

De term “elektrisch gereedschap” in onderstaande waarschuwingen heeft betrekking op zowel apparatuur met een vaste elektriciteitskabel als op apparatuur met een accu (draadloze apparatuur).

1) Werkgebied

- a) **Zorg voor een opgeruimde en goed verlichte werkomgeving.** Rommelige en donkere werkomgevingen leiden tot ongelukken.
- b) **Gebruik elektrisch gereedschap nooit in een omgeving waar explosiegevaar bestaat, zoals in de nabijheid van ontvlambare vloeistoffen, gassen, dampen of andere stoffen.** Elektrische gereedschappen kunnen vonken veroorzaken, die deze stoffen tot ontbranding kunnen brengen.
- c) **Wanneer u elektrisch gereedschap gebruikt, houd dan kinderen en omstanders op afstand.** Wanneer u wordt afgeleid, kunt u de controle over het gereedschap verliezen.

2) Elektrische veiligheid

- a) **Stekkers van elektrische gereedschappen moeten probleemloos passen op het stopcontact. Breng nooit wijzigingen aan in of aan de stekker. Gebruik geen adapters voor geaarde elektrische gereedschappen.** Standaardstekkers en passende stopcontacten verkleinen de kans op een elektrische schok.
- b) **Voorkom lichamelijk contact met geaarde oppervlakken van bijvoorbeeld pijpen, leidingen, radiatoren, fornuizen en koelkasten.** Wanneer uw lichaam geaard is, wordt de kans op een elektrische schok groter.
- c) **Stel elektrische gereedschappen nooit bloot aan regen of vocht.** Wanneer er water binnendringt in een elektrisch gereedschap, wordt de kans op een elektrische schok groter.
- d) **Gebruik het snoer niet om het elektrisch gereedschap te dragen, te verplaatsen of de stekker uit het stopcontact te trekken. Bescherm het snoer tegen olie, warmte, scherpe randen en bewegende delen.** Beschadigde of

- vastzittende snoeren vergroten de kans op een elektrische schok.
- e) **Wanneer u elektrische gereedschappen buiten gebruikt, gebruik dan een verlengkabel die geschikt is voor buitengebruik.** Door een kabel te gebruiken die geschikt is voor buitengebruik, wordt de kans op een elektrische schok kleiner.
- f) **Gebruik een aardlekbeveiliging (RCD) als niet te voorkomen is dat een powertool moet worden gebruikt in een vochtige omgeving.** Gebruik van een RCD vermindert het risico van elektrische schokken.
- 3) Persoonlijke veiligheid**
- a) **Blijf altijd alert, kijk goed wat u doet en gebruik uw gezonde verstand wanneer u een elektrisch gereedschap gebruikt. Gebruik geen elektrische gereedschappen wanneer u moe bent, of drugs, alcohol of medicijnen hebt gebruikt.** Eén moment van onachtzaamheid bij het gebruik van elektrische gereedschappen kan ernstige verwondingen tot gevolg hebben.
- b) **Gebruik persoonlijke beschermingsmiddelen. Draag altijd een veiligheidsbril.** Een gepast gebruik van veiligheidsvoorzieningen, zoals een stofmasker, speciale werkschoenen met antislipzolen, een veiligheidshelm en gehoorbescherming verkleinen de kans op persoonlijk letsel.
- c) **Voorkom dat het gereedschap per ongeluk wordt gestart. Zorg dat de schakelaar op de UITpositie staat, voordat u de stekker in het stopcontact steekt.** Draag elektrisch gereedschap nooit met uw vinger op de schakelaar en steek ook nooit de stekker van ingeschakelde elektrische gereedschappen in het stopcontact: dit leidt tot ongelukken.
- d) **Verwijder alle instel en andere sleutels uit het elektrisch gereedschap voordat u hem inschakelt.** Instel en andere sleutels aan een ronddraaiend onderdeel van het elektrisch gereedschap kunnen tot verwondingen leiden.
- e) **Zorg dat u nooit uw evenwicht kunt verliezen; houd altijd twee voeten stevig op de vloer.** Hierdoor kunt u het elektrisch gereedschap in onverwachte situaties beter onder controle houden.
- f) **Zorg dat u geschikte kleding draagt. Draag geen loshangende kleding of sieraden. Houd uw haar, kleding en handschoenen uit de buurt van bewegende delen.** Loshangende kleding, sieraden en lang haar kunnen vast komen te zitten in bewegende delen.
- g) **Wanneer er voorzieningen zijn voor de aansluiting van stofafzuiginstallaties, zorg dan dat ze op de juiste wijze worden aangesloten en gebruikt.** Gebruik van deze voorzieningen vermindert de gevaren die door stof worden veroorzaakt.
- h) Denk niet dat doordat u gereedschap vaak gebruikt, u wel weet hoe het allemaal werkt en dat u de veiligheidsbeginselen voor het gebruik van het gereedschap wel kunt negeren. Een onbezonnen actie kan in een fractie van een seconde ernstig letsel tot gevolg hebben.
- 4) Gebruik en onderhoud van elektrisch gereedschap**
- a) **Oefen geen overmatige kracht uit op elektrisch gereedschap. Gebruik het juiste gereedschap voor uw specifieke toepassing.** Met het juiste elektrische gereedschap voert u de taak beter en veiliger uit wanneer dit op de snelheid gebeurt waarvoor het apparaat is ontworpen.
- b) **Gebruik nooit elektrisch gereedschap waarvan de AAN/UITschakelaar niet werkt.** Ieder elektrisch gereedschap dat niet kan worden in en uitgeschakeld met de schakelaar is gevaarlijk en moet worden gerepareerd.
- c) **Trek de stekker uit het stopcontact voordat u wijzigingen aanbrengt aan elektrische gereedschappen, accessoires verwisselt of het elektrisch gereedschap opbergt.** Wanneer u zich aan deze preventieve veiligheidsmaatregelen houdt, beperkt u het risico dat het gereedschap per ongeluk wordt gestart.
- d) **Berg elektrisch gereedschap dat niet in gebruik is op buiten bereik van kinderen en laat personen die niet bekend zijn met het gereedschap of deze instructies het apparaat niet gebruiken.** Elektrisch gereedschap is gevaarlijk in de handen van ongevoefde gebruikers.
- e) **Zorg voor een goed onderhoud van elektrisch gereedschap. Controleer of bewegende delen op de juiste wijze zijn vastgezet. Controleer ook of er geen onderdelen defect zijn of dat er andere omstandigheden zijn die van invloed kunnen zijn op de werking van het gereedschap. Laat het gereedschap bij beschadigingen repareren vóór gebruik.** Veel ongelukken worden veroorzaakt door slecht onderhoud van het gereedschap.
- f) **Zorg dat snij en zaagwerktuigen scherp en schoon blijven.** Goed onderhouden snij en zaagwerktuigen met scherpe randen zullen minder snel vastlopen en zijn eenvoudiger onder controle te houden.

- g) **Gebruik alle elektrische gereedschappen, accessoires, bitjes etc., zoals aangegeven in deze instructies en op de wijze waarvoor het gereedschap is ontworpen. Houd daarbij rekening met de werkomstandigheden en de uit te voeren taak.** Gebruik van elektrisch gereedschap voor handelingen die afwijken van de taken waarvoor het apparaat is ontworpen kunnen leiden tot gevaarlijke situaties.
- h) **Houd handgrepen en greepoppervlakken droog, schoon en vrij van olie en vet.** Gladde handgrepen en greepoppervlakken maken veilig werken en controle over het gereedschap in onverwachte situaties onmogelijk.
- 5) Gebruik en onderhoud accugereedschap**
- a) **Laad alleen op met de lader die door de fabrikant is gespecificeerd.** Een lader die voor een bepaalde accu geschikt is, kan brand veroorzaken wanneer deze met een andere accu wordt gebruikt.
- b) **Gebruik elektrisch gereedschap alleen met de speciaal hiervoor bedoelde accu's.** Gebruik van andere accu's kan kans op letsel en brand geven.
- c) **Wanneer de accu niet in gebruik is, houd deze dan uit de buurt van andere metalen voorwerpen zoals paperclips, munten, sleutels, spijkers, schroeven of andere kleine metalen voorwerpen die een verbinding tussen twee polen kunnen maken.** Kortsluiting tussen de accupolen kan brandwonden of brand veroorzaken.
- d) **Wanneer de accu niet juist wordt gebruikt, kan er vloeistof uit lopen; raak dit niet aan. Wanneer dit per ongeluk wel gebeurt, spoel dan met water. Wanneer de vloeistof in de ogen komt, moet u een arts raadplegen.** De vloeistof uit de accu kan irritaties of brandwonden veroorzaken.
- e) **Gebruiken niet een accu of gereedschap dat beschadigd is of gemodificeerd.** Beschadigde of gemodificeerde accu's kunnen onvoorspelbaar gedrag vertonen, wat brand, explosie of een risico van letsel met zich meebrengt.
- f) **Stel een accu over het gereedschap niet bloot aan open vuur of een uitzonderlijk hoge temperatuur.** Blootstelling aan vuur of een temperatuur hoger dan 130 °C, kan een explosie veroorzaken. NB De temperatuur van "130 °C" kan worden vervangen door de temperatuur van "265 °F".
- g) **Houd u aan alle instructies voor het laden en laad de accu of het gereedschap niet op buiten het temperatuurbereik dat in de instructies wordt aangeduid.** Op een onjuiste wijze laden of laden bij temperaturen buiten het aange-

deide bereik kan de accu beschadigen en het risico van brand doen toenemen.

6) Service

- a) **Laat uw gereedschap onderhouden door een gekwalificeerde onderhoudstechnicus die alleen gebruikmaakt van identieke vervangingsonderdelen.** Dit zorgt ervoor dat de veiligheid van de powertool intact blijft.
- b) **Voer nooit servicewerkzaamheden uit aan beschadigde accu's.** Alleen de fabrikant of geautoriseerde service-providers mogen servicewerkzaamheden aan accu's uitvoeren.

SPECIALE VEILIGHEIDSVOORSCHRIFTEN

- Waarschuwing! De compressor mag alleen worden gebruikt in daarvoor geschikte ruimtes (met goede ventilatie en een omgevingstemperatuur tussen 0°C en +40°C).
- Geen handelingen aan de compressor uitvoeren zonder eerst de stekker uit het stopcontact te hebben getrokken.
- Geen waterstralen of stralen van ontvlambare vloeistoffen op de compressor richten.
- Geen ontvlambare voorwerpen in de buurt van de compressor zetten.
- De schakelaar (4) in stand "0" (OFF) zetten, wanneer de compressor niet wordt gebruikt.
- Nooit de luchtstraal op personen of dieren richten.
- Bepaalde delen van de compressor (zoals cilinderkop en doorvoerbuizen) kunnen hoge temperaturen bereiken. Raak deze onderdelen niet aan om brandwonden te vermijden.
- U kunt de compressor transporteren door hem op te heffen of door gebruik te maken van de speciale grepen of handvaten.
- Kinderen en dieren moeten ver de het werkgebied van de machine gehouden worden.
- Als u de compressor gebruikt om verf of andere ontvlambare vloeistoffen te spuiten:
 - a) Niet werken in gesloten omgevingen of in de nabijheid van open vlammen.
 - b) Zich ervan vergewissen dat de omgeving waar gewerkt wordt een geschikte luchtverversinginstallatie heeft.
 - c) Neus en mond beschermen met een aangepast masker.
- Als de elektrische kabel of de stekker beschadigd is de compressor niet gebruiken en zich tot een geautoriseerde assistentiedienst wenden

voor de vervanging ervan met een origineel onderdeel.

- Als de compressor op een schap of een oppervlak hoger dan de vloer geplaatst wordt moet deze vastgezet worden om te vermijden dat deze valt tijdens de werking.
- Geen voorwerpen en handen binnenin de beschermingsroosters steken om fysieke schade en schade aan de compressor te voorkomen.
- De compressor niet als stomp voorwerp tegenover personen, dingen of dieren gebruiken om zware schade te vermijden.
- Als de compressor niet meer gebruikt wordt, dient u altijd de stekker uit het stopcontact trekken.
- Gebruik alleen pneumatische leidingen die geschikt zijn voor de aangegeven maximum druk van de compressor. Probeer een pneumatische leiding niet te herstellen wanneer deze is beschadigd.

VEILIGHEIDSVOORSCHRIFTEN VOOR HET WERKEN MET PERSLUCHT EN UITBLAASPISTOLEN

- Compressiepomp en leidingen bereiken tijdens de werking van de compressor hoge temperaturen. Aanraken heeft brandwonden tot gevolg.
- De door de compressor aangezogen lucht dient vrij van bijmengsels te worden gehouden die in de compressiepomp kunnen leiden tot brand of explosies.
- Pak bij het losmaken van de slangkoppeling de koppeling van de slang met de hand vast. Zodoende vermijdt u verwondingen door de terugspringende slang.
- Als u met de uitblaaspistool werkt dient u een veiligheidsbril te dragen. Door vreemde voorwerpen en weggeblazen deeltjes kunnen gemakkelijk verwondingen worden veroorzaakt.
- Met de uitblaaspistool niet tegen personen blazen of kleding op het lichaam reinigen. Lichamelijk gevaar!

Elektrische veiligheid

Neem bij het gebruik van elektrische machines altijd de plaatselijk geldende veiligheidsvoorschriften in acht in verband met brandgevaar, gevaar voor elektrische schokken en lichamelijk letsel. Lees behalve onderstaande instructies ook de veiligheidsvoorschriften in het apart bijgevoegde veiligheids-katern door. Bewaar de instructies zorgvuldig!



Controleer altijd of uw netspanning overeenkomt met de waarde op het typeplaatje.

Snoeren of stekkers vervangen

Gooi oude kabels of stekkers meteen weg nadat ze zijn vervangen door nieuwe. Het is gevaarlijk om de stekker van een losse kabel in een stopcontact te steken.

Verlengsnoeren gebruiken

Gebruik uitsluitend een goedgekeurd verlengsnoer dat geschikt is voor het opgenomen vermogen van het apparaat. De minimumafmeting van de geleider is 1,5 mm². Wanneer u een snoerhaspel gebruikt, rol de haspel dan geheel af.

2. MACHINE GEGEVENS

Gebruiksdoeleinde

Dit apparaat is ontworpen voor het blazen van lucht voor reinigingswerkzaamheden, het oppompen van autobanden, fietsbanden, opblaasbare matrassen, sportballen, etc. met gebruik van de bijgeleverde adapter.

Het apparaat is niet ontworpen voor doorlopend gebruik.

TECHNISCHE SPECIFICATIES

| Modelnr. | CR501AC |
|--------------------|-----------------|
| Spanning | 220-240 V~ |
| Frequentie | 50 Hz |
| Motor vermogen | 1100 W |
| Bedrijfsmodus | S3 15% -10 min* |
| Toerental onbelast | 3750/min |
| IP Klasse | IP 20 |
| Lucht inlaat | 180 l/min |
| Max. druk uitlaat | 8.0 bar |
| Gewicht | 4.9 kg |
| Geluidsvermogen | 97 dB (A) |

* S3 = onderbroken gebruik zonder de invloed van het opstarten. Dit betekent dat de maximale bedieningstijd tijdens een gebruikperiode van 10 minuten 15% (1,5 min) is.

BESCHRIJVING

De nummers in de tekst verwijzen naar de diagram men op pagina 2-3.

1. Luchtuitlaat met snelkoppeling
2. Accessoires compartiment
3. Handgreep
4. Schakelaar
5. Netsnoer
6. Snelkoppeling
7. Connector
8. Luchtpistool
9. Manometer
10. Ontluchtingsventiel
11. Trekker
12. Verlengstuk
13. Slang met luchtkoppeling
14. Luchtslang
15. Balnaald
16. Universele adapter klein
17. Ventieladapter
18. Universele adapter
19. Mondstuk-adaptor voor de mondstuk-set
20. Mondstuk-set

3. BEDIENING



Alleen voor doe-het-zelf doeleinden.



Dit apparaat trilt tijdens gebruik. Plaats het apparaat tijdens gebruik altijd achterwaarts op de rubberen voeten.

Het apparaat aansluiten (Fig. A)

1. Open het deksel en neem de luchtslang (14) en de benodigde accessoires uit het opbergvak (2).
2. Zet de AAN/UIT-schakelaar (4) in de 'O' positie (uitgeschakeld).
3. Steek het netsnoer (5) in een stopcontact.



Controleer voordat u het apparaat gebruikt dat de spanning van het stopcontact overeenkomt met de specificaties op het typeplaatje. Lange netsnoeren, verlengsnoeren, kabelhaspels etc. kunnen de spanning verlagen wat het starten van de motor kan belemmeren.



Dit apparaat trilt tijdens gebruik. Plaats het apparaat tijdens gebruik altijd achterwaarts op de rubberen voeten.

Aan/uit-schakelaar (Fig. A)

- Zet de AAN/UIT-schakelaar (4) in de 'I' positie om het apparaat in te schakelen.
- Zet de AAN/UIT-schakelaar (4) in de 'O' positie om het apparaat uit te schakelen.



Het apparaat is niet ontworpen voor doorlopend gebruik. Om te voorkomen dat de motor oververhit raakt, mag het apparaat alleen als volgt gebruikt worden: Binnen een periode van 10 minuten mag het apparaat slecht 15% (1,5 min) van de periode gebruikt worden. Tijdens de rest van de periode (8,5 minuten) moet het apparaat afkoelen.

Het luchtpistool aansluiten (Fig. B1)

- Steek de connector (7) van het luchtpistool (8) in de snelkoppeling (6) van de luchtslang. De connector klikt tijdens het drukken stevig vast en vergrendeld het luchtpistool.

Het luchtpistool verwijderen (Fig. B2)



Let op dat u tijdens het loslaten van de snelkoppeling de koppeling vasthoudt om uzelf te beschermen tegen letsel veroorzaakt door de terugverende slang.

- Trek de koppeling van de snelkoppeling (6) naar achteren en verwijder het luchtpistool.

Het luchtpistool gebruiken als uitblaaspistool (Fig. C)

Op deze manier kan het luchtpistool (8) gebruikt worden voor verschillende reinigingsdoeleinden en het reinigen van moeilijk bereikbare plaatsen. De trekker (11) op het luchtpistool (8) zorgt voor nauwkeurige dosering van het luchtvolume.

1. Draai de slang (13) uit het luchtpistool (8).
2. Vervang het met het verlengstuk (12).

Het luchtpistool gebruiken voor het oppompen van autobanden (Fig. C & D)

Op deze manier kan het luchtpistool (8) gebruikt worden voor het oppompen van autobanden, luchtbedden, etc.

1. Als de slang (13) nog niet is aangesloten, sluit deze dan aan op het luchtpistool (8) door de slang vast te draaien.
2. Sluit de slang met luchtkoppeling (6d) direct aan op het ventiel van het voorwerp dat moet worden opgeblazen. Aansluiten: druk op de

- klem van de slang (13) en druk de slang op het ventiel van het voorwerp.
3. Controleer eerst de druk van het voorwerp. Lees de druk op de drukmeter (9):
 - Druk te hoog: druk op de knop (10) links om lucht te laten ontsnappen.
 - Druk te laag: druk op de trekker (11) om het object te vullen tot aan het benodigde drukniveau.
 4. Controleer de druk door de trekker (11) los te laten en de waarde op de drukmeter (9) af te lezen.
 5. Ontkoppel het bandenpompstool.



Raadpleeg de onderhoudshandleiding van uw auto voor de juiste druk van uw autobanden.



De manometer is niet gekalibreerd! Controleer na het oppompen van banden altijd de druk met een gekalibreerd apparaat, bijvoorbeeld bij een benzinstation.



Letselgevaar! Pomp voorwerpen niet harder op dan de voorgeschreven druk. Ze kunnen barsten en letsel en/of materiële schade veroorzaken.

De adapters gebruiken om andere voorwerpen op te blazen (Fig. C & D)

Het luchtpistool (8) wordt geleverd met verschillende adapters (15-20) voor het oppompen van allerlei voorwerpen. Deze adapters kunnen direct op de luchtkoppeling (13) worden aangesloten. Aansluiten: druk op de klem van de luchtkoppeling (13) en bevestig de adapter (15-19) die u wilt gebruiken.

Balnaald (Fig. C)

De balnaald (15) kan ook worden gebruikt om ballen op te pompen. Duw de naald (15) in het ventiel van de bal en pomp de bal op zoals hierboven beschreven.

Ventieladapter (Fig. C)

Met de ventieladapter (16, 18) kunt u eenvoudig fietsbanden oppompen. De adapter werkt goed met 'Sclaverand' ventielen, race ventielen en universele 'Dunlop' ventielen. Druk de adapter (16, 18) op het ventiel en pomp de band op zoals hierboven beschreven.

Universele adapter (Fig. C)

De universele adapter (17) kan eenvoudig luchtmatrassen, zwembandjes, etc. oppompen. Druk de adapter (17) in het ventiel en pomp het voorwerp op zoals hierboven beschreven.

Mondstuk-set (Fig. C)

Met de mondstukken (20) kunt u gemakkelijk luchtbedden, zwembandjes, enz. oppompen. Druk één van de mondstukken (20) in het mondstuk-adapter (19) en pomp het voorwerp op, zoals hierboven wordt beschreven.

4. ONDERHOUD



Verbreek altijd eerst de aansluiting op de stroomvoorziening en voer dan pas onderhoudswerk aan de machine uit.

Maak de behuizing van het apparaat regelmatig schoon met een zachte doek, bij voorkeur na ieder gebruik. Controleer of de ventilatie-openingen vrij zijn van stof en vuil. Verwijder hardnekkig vuil met een zachte doek vochtig gemaakt met een zee-ploosmiddel. Gebruik geen oplosmiddelen zoals benzine, alcohol, ammoniak, enzovoorts. Chemicaliën zoals deze kunnen de synthetische componenten beschadigen.

MILIEU



Defecte en/of afgedankte elektrische of elektronische gereedschappen dienen ter verwerking te worden aangeboden aan een daarvoor verantwoordelijke instantie.

Uitsluitend voor EG-landen

Werp elektrisch gereedschap niet weg bij het huisvuil. Conform de Europese Richtlijn 2012/19/EG voor Afgedankte Elektrische en Elektronische Apparatuur en de implementatie ervan in nationaal recht moet niet langer te gebruiken elektrisch gereedschap gescheiden worden verzameld en op een milieuvriendelijke wijze worden verwerkt.

GARANTIE

VONROC producten zijn ontworpen volgens de hoogste kwaliteitsstandaarden en gegarandeerd vrij van defecten, zowel materieel als fabrieksfouten, tijdens de wettelijk vastgestelde garantieperiode vanaf de eerste aankoopdatum. Mocht het product tijdens deze periode gebreken vertonen veroorzaakt door defecte materialen en/of fabrieksfouten, neem dan rechtstreeks contact op met VONROC.

De volgende situaties vallen niet onder de garantie:

- Er zijn reparaties of aanpassingen aan de machine uitgevoerd, of er is een poging daartoe ondernomen, door een niet geautoriseerd servicecentrum.
- Normale slijtage.
- De machine is misbruikt, verkeerd gebruikt of slecht onderhouden.
- Er zijn niet-originele reserveonderdelen gebruikt.

Dit vormt de enige garantie opgesteld door het bedrijf zowel expliciet als impliciet. Er bestaan geen andere garanties expliciet of impliciet welke verder gaan dan deze garantie, inclusief impliciete garanties van verkoopbaarheid en geschiktheid voor bepaalde doeleinden. In geen enkel geval kan VONROC aansprakelijk worden gesteld voor incidentele schade of gevolgschade. Reparaties van dealers zijn gelimiteerd tot de reparatie of vervanging van defecte producten of onderdelen.

Het product en de gebruikershandleiding zijn onderhevig aan wijzigingen. Specificaties kunnen zonder opgaaf van redenen worden gewijzigd.

1. CONSIGNES DE SÉCURITÉ

Consultez les avertissements de sécurité, les avertissements de sécurité additionnels ainsi que les instructions fournis ici. Le non respect des avertissements de sécurité et des instructions peut occasionner une électrocution, un incendie ou des blessures graves. Conservez les avertissements de sécurité et les instructions pour référence future.

Les symboles suivants sont utilisés dans le manuel d'utilisation ou apposés sur le produit:



Lisez le manuel d'utilisation.



Indique un risque de blessures, un danger mortel ou un risque d'endommagement de l'outil en cas du non-respect des consignes de ce mode d'emploi.



Réservé à une utilisation à l'intérieur !



Utiliser un dispositif de protection de l'ouïe.



Niveau de puissance sonore.



Indique un risque de décharges électriques.



Risque de brûlure causé par les surfaces chaudes.



Attention: le compresseur est susceptible de redémarrer automatiquement en cas de black-out et retablisement successif de la tension.



Machine de classe II - Double isolation - Vous n'avez pas besoin de prise avec mise à la terre.



Ne jetez pas le produit dans des conteneurs qui ne sont pas prévus à cet effet.



Le produit est conforme aux normes de sécurité en vigueur spécifiées dans les directives européennes.

CONSIGNES GÉNÉRALES DE SÉCURITÉ



AVERTISSEMENT! Veuillez lire l'intégralité des avertissements de sécurité et des instructions. Le nonrespect de toutes les instructions indiquées cidessous peut entraîner un risque de choc électrique, d'incendie et/ou de blessures graves.

Conservez ces instructions.

Le terme "appareil électrique" mentionné dans tous les avertissements cidessous se rapporte à un appareil électrique qui se branche au réseau électrique (grâce à un câble d'alimentation) ou à un appareil électrique (sans fil) fonctionnant grâce à une batterie.

1) Espace de travail

- a) **Veillez toujours à garder votre espace de travail propre et bien éclairé.** Les espaces mal rangés et sombres peuvent être la cause d'accidents.
- b) **N'utilisez pas les appareils électriques dans des environnements susceptibles d'explosion, par exemple en présence de liquides inflammables, de gaz ou de particules.** Les appareils électriques provoquent des étincelles qui peuvent enflammer les particules des émanations.
- c) **Veillez à garder éloignés les enfants et les personnes se trouvant dans votre voisinage, lors de l'utilisation d'un appareil électrique.** Les distractions peuvent vous faire perdre le contrôle de l'appareil.

2) Mesures de sécurité électriques

- a) **Les prises des appareils électriques doivent être raccordées à la prise murale correspondante. Ne modifiez jamais la prise de l'appareil, de quelque façon que ce soit. N'utilisez pas d'adaptateurs qui mettent les appareils électriques à la terre (mise à la masse).** Des prises non modifiées et branchées à la prise murale correspondante réduiront les risques de choc électrique.
- b) **Évitez le contact direct avec les surfaces mises à la terre ou mises à la masse comme les canalisations, les radiateurs, les cuisinières et les réfrigérateurs.** En effet, le risque de choc électrique s'accroît si votre corps est mis à la terre ou à la masse.
- c) **N'utilisez pas d'outils électriques dans des environnements pluvieux ou humides.** Si de l'eau s'introduit dans un appareil électrique, le risque de choc électrique augmentera.

- d) **N'utilisez pas le câble de manière abusive. N'utilisez jamais le câble pour transporter, tirer ou débrancher l'appareil électrique. Veillez à garder le câble éloigné des sources de chaleur, des huiles, des rebords coupants ou des pièces actionnées.** Les câbles endommagés ou entremêlés augmentent le risque de choc électrique.
- e) **Lorsque un appareil est utilisé à l'extérieur, utilisez uniquement un câble prolongateur prévu à cet effet.** L'utilisation d'un câble à usage extérieur réduit le risque de choc électrique.
- f) **Si vous êtes contraint d'utiliser un outil électrique dans un environnement humide, utilisez une alimentation protégée par un dispositif à courant résiduel (RCD).** L'utilisation d'un RCD réduit le risque de décharge électrique.

3) Sécurité personnelle

- a) **Restez vigilant, gardez un œil sur ce que vous faites et utilisez votre sens commun lors de l'utilisation d'un appareil électrique. N'utilisez pas un appareil électrique si vous êtes fatigué ou si vous êtes sous l'influence de drogues, d'alcool ou si vous prenez des médicaments.** Un moment d'inattention lors de l'utilisation des appareils électriques peut entraîner des blessures graves.
- b) **Utilisez un équipement de protection personnelle. Protégez-vous toujours les yeux.** Les équipements de protection, tels qu'un masque à poussière, des chaussures antidérapantes, des protections auditives ou un casque de sécurité, utilisés dans de bonnes conditions, réduiront le risque de blessures.
- c) **Prévenez tout démarrage involontaire. Assurez-vous que l'interrupteur est sur la position "arrêt avant de brancher l'appareil.** En effet, le transport des appareils électriques en gardant vos doigts sur l'interrupteur, ou le branchement de ces appareils en ayant l'interrupteur sur "marche" accidents.
- d) **Retirez les clés de réglage ou les clés de vis de réglage avant d'allumer l'appareil électrique.** Une clé de vis de réglage ou une clé, laissée sur une pièce en mouvement de l'appareil électrique, peut entraîner des lésions corporelles.
- e) **Ne pas se précipiter. Gardez toujours vos pieds à plat et gardez votre équilibre.** Ceci permet de mieux contrôler l'appareil électrique dans des situations imprévues.
- f) **Habillez-vous convenablement. Ne portez pas de vêtements lâches ou de bijoux. Gardez**

- vos cheveux, vêtements et gants éloignés des pièces actionnées.** En effet, ces derniers peuvent être pris dans les pièces en action.
- g) **Si les appareils sont fournis pour la connexion des équipements d'évacuation et de récupération de la poussière, assurez-vous que ces derniers soient correctement connectés et utilisés.** L'utilisation de ces appareils peut réduire les risques liés à la poussière.
- h) **Ne pensez pas être familiarisé avec l'outil après l'avoir utilisé à de nombreuses reprises, au point de ne plus rester vigilant et d'en oublier les consignes de sécurité.** Toute action imprudente peut engendrer de graves blessures en une fraction de seconde.
- 4) Utilisation et entretien d'un appareil électrique**
- a) **Ne forcez pas l'appareil électrique. Utilisez l'appareil électrique adéquat pour votre application.** Un appareil électrique correctement choisi assurera un meilleur travail et un travail sans danger, au rythme auquel il a été conçu.
- b) **N'utilisez pas l'appareil électrique si l'interrupteur marche/arrêt ne fonctionne pas.** Un appareil électrique qui ne peut pas être commandé par l'interrupteur de contrôle est dangereux et doit être réparé.
- c) **Débranchez la prise du bloc d'alimentation avant d'effectuer des réglages, de changer des accessoires, ou de ranger les appareils électriques.** Ces mesures de sécurité préventives réduiront le risque de démarrage involontaire de l'appareil électrique.
- d) **Rangez les appareils électriques arrêtés hors de la portée des enfants et ne laissez aucune personne, non familiarisée avec l'outil ou ces instructions, utiliser l'appareil électrique.** Les appareils électriques sont dangereux entre les mains d'utilisateurs non formés.
- e) **Entretenez les appareils électriques. Vérifiez tout défaut d'alignement et l'enchaînement des pièces actionnées, la rupture de ces dernières, et les autres conditions qui peuvent affecter le fonctionnement des appareils électriques. En cas de dommages, faites réparer l'appareil électrique avant de le réutiliser.** Nombreux sont les accidents provoqués par des appareils électriques mal entretenus.
- f) **Veillez à garder les outils coupants aiguisés et propres.** Des outils coupants correctement entretenus avec des lames aiguisées sont moins susceptibles de se bloquer et sont plus faciles à contrôler.
- g) **Utilisez l'appareil électrique, les accessoires et les embouts, etc., conformément à ces instructions et de la manière prévue pour le type spécifique de l'appareil électrique, en prenant en compte les conditions de travail et le travail à effectuer.** L'utilisation de l'appareil électrique dans des applications différentes de celles prévues peut entraîner des situations dangereuses.
- h) **Gardez les poignées et les surfaces de préhension sèches, propres et exemptes d'huile et de graisse.** Des poignées et des surfaces de préhension glissantes ne permettent pas de manipuler et de contrôler l'outil correctement en cas de situations inattendues.
- 5) Utiliser et soigner les outils à batterie**
- a) **Rechargez la batterie uniquement avec le chargeur spécifié par le fabricant.** Un chargeur adapté à une certaine batterie peut être cause de danger d'incendie quand on l'utilise avec une batterie différente.
- b) **Utilisez chaque outil uniquement avec la batterie conçue pour lui.** L'utilisation de toute autre batterie peut être cause de danger de blessure ou d'incendie.
- c) **Lorsque une batterie n'est pas en usage, gardez-la hors d'atteinte d'objets métalliques tels que les trombones, pièces de monnaie, clés, clous, vis et autres petits objets métalliques pouvant faire le contact entre une borne et l'autre.** Un court-circuit entre les bornes de la batterie peut être cause de brûlures ou d'incendie.
- d) **Dans des circonstances extrêmes, du liquide peut gicler hors de la batterie ; évitez tout contact. En cas de contact accidentel, rincez à l'eau. En cas de contact du liquide avec les yeux, consultez un médecin.** Le liquide qui gicle d'une batterie peut causer irritations ou brûlures.
- e) **N'utilisez pas un bloc-batterie ou un outil endommagé ou modifié.** Une batterie endommagée ou altérée peut avoir un comportement imprévisible qui peut conduire à un incendie, une explosion ou un risque de blessure.
- f) **N'exposez pas le bloc-batterie ou l'outil au feu ou à des températures excessives.** L'exposition au feu ou à des températures dépassant 130 °C peut provoquer une explosion. REMARQUE La température de "130°C" peut être remplacé par la température de "265°F".

- g) **Respectez les instructions pour la charge et ne rechargez pas le bloc-batterie ou l'outil à une plage de températures hors de celle spécifiée dans les instructions.** Une charge mal effectuée ou à des températures hors de la plage spécifiée peut endommager la batterie et augmente le risque d'incendie.
- 6) **Maintenance**
- a) **L'entretien de votre outil électrique doit être confié à un réparateur qualifié qui utilise uniquement des pièces de rechange identiques aux pièces d'origine.** Cela permet d'assurer la sécurité de l'outil électrique
- b) **Ne réparez jamais des blocs-batteries endommagés.** Les réparations sur les blocs-batteries ne doivent être effectuées que par le fabricant ou l'un de ses prestataires de services agréés.

RÈGLES DE SÉCURITÉ SPÉCIALES

- Avertissement ! Le compresseur ne peut être utilisé que dans des endroits appropriés (avec une bonne ventilation et par des températures de 0°C à +40°C).
- Retirez toujours la fiche de la prise avant d'agir sur le compresseur de quelle façon que ce soit.
- Ne dirigez jamais un jet d'eau ni un jet de matière inflammable sur le compresseur.
- Ne placez aucun objet inflammable à proximité du compresseur.
- Pendant que l'appareil n'est pas en usage, mettez le Interrupteur (4) sur "0".
- Ne dirigez jamais le jet d'air comprimé sur une personne ni sur un animal.
- Attention: certaines parties du compresseur, comme le piston et les tuyaux de transmission, peuvent atteindre des températures très élevées. Faites attention à ne pas les toucher pour ne pas vous brûler.
- Pour transporter le compresseur, soulevez-le sur un chariot ou par les poignées destinées à cet usage.
- Les enfants et les animaux ne doivent pas entrer dans la zone de fonctionnement de l'appareil.
- Si vous utilisez le compresseur pour diffuser de la peinture:
 - a) Ne travaillez pas dans une pièce close, ni à proximité d'une flamme nue.
 - b) Assurez-vous que l'endroit où vous travaillez possède une ventilation adéquate.
 - c) Protégez-vous le nez et la bouche au moyen d'un masque approprié.

- N'utilisez pas le compresseur si le câble d'alimentation ou la fiche est endommagé; faites appel à un service d'entretien reconnu pour les faire remplacer par une pièce d'origine.
- Lorsque le compresseur est placé sur une surface surélevée par rapport au sol, il doit être solidement amarré pour qu'il ne puisse tomber pendant qu'il est en marche.
- Ne mettez pas les mains, ni aucun objet, à l'intérieur des grilles de protection, pour ne pas vous blesser ni endommager le compresseur.
- N'utilisez pas le compresseur comme objet contondant contre des personnes, des animaux ni des objets, pour éviter de graves dommages.
- Si le compresseur n'est plus en usage, débranchez toujours la fiche de la prise.
- Les tuyaux utilisés pour l'air comprimé doivent toujours être adaptés à la pression maximum du compresseur. N'essayez jamais de réparer un tuyau endommagé.

CONSIGNES DE SÉCURITÉ RELATIVES AU TRAVAIL AVEC DE L'AIR COMPRIMÉ ET DES PISTOLETS À AIR

- La pompe du compresseur et les câbles atteignent des températures élevées en fonctionnement. Tout contact provoque des brûlures.
- L'air aspiré par le compresseur doit être maintenu exempt d'impuretés, elles pourraient entraîner des explosions ou des incendies dans la pompe du compresseur.
- Maintenez la pièce de connexion du flexible de la main pendant que vous détachez le raccord. Vous éviterez de la sorte des blessures par le tuyau qui rebondit.
- Portez des lunettes de protection lorsque vous travaillez avec le pistolet à air. Des corps étrangers et des pièces emportées par le souffle peuvent provoquer facilement des blessures.
- Ne dirigez pas le jet sur des personnes et ne nettoyez pas des vêtements au corps avec le pistolet à air. Risque de blessure!

Electricité et sécurité

Lors d'utilisation de machines électriques, observez les consignes de sécurité locales en vigueur en matière de risque d'incendie, de chocs électriques et de lésion corporelle. En plus des instructions ci-dessous, lisez entièrement les consignes de sécurité contenues dans le cahier de sécurité fourni à part. Conservez soigneusement ces instructions!



Vérifiez toujours si la tension de votre réseau correspond à la valeur mentionnée sur la plaque signalétique.

Remplacement des câbles ou des prises

Jetez immédiatement les vieux câbles ou les vieilles prises après les avoir remplacé(e)s. Il est dangereux de brancher une prise d'un câble altéré dans une prise de courant.

Utilisation d'une rallonge

N'utilisez que des rallonges homologuées, adaptées à l'alimentation électrique de cette machine. La section minimum fil conducteur doit être de 1,5 mm². Si vous utilisez un enrouleur de câble, déroulez toujours le câble complètement.

2. INFORMATIONS RELATIVES LA MACHINE

Usage prévu

Cet appareil est conçu pour souffler l'air pour les travaux de nettoyage, gonfler les pneus de véhicules, les pneus de vélos, les matelas gonflables, les ballons de sports, etc. en conjonction avec l'adaptateur fourni. L'appareil n'est pas conçu pour fonctionner en continu.

SPÉCIFICATIONS TECHNIQUES

| N° de modele | CR501AC |
|----------------------------|------------------|
| Voltage | 220-240 V~ |
| Fréquence | 50 Hz |
| Puissance du moteur | 1100 W |
| Mode de fonctionnement | S3 15 % -10 min* |
| Ralenti | 3750/min |
| Classe IP | IP 20 |
| Entrée d'air | 180 l/min |
| Pression de sortie max | 8.0 Bar |
| Poids | 4.9 kg |
| Niveau de puissance sonore | 97 dB (A) |

* S3 = fonctionnement intermittent sans l'impact du démarrage. Cela signifie que pendant une période de 10 minutes, le temps de fonctionnement maximum est de 15 % (soit 1,5 min).

DESCRIPTION

Les numéros dans le texte se rapportent aux schémas de la page 2-3.

1. Raccord rapide pour la sortie d'air
2. Compartiment pour accessoires
3. Poignée de transport
4. Interrupteur
5. Câble d'alimentation
6. Raccord rapide
7. Connecteur
8. Pistolet
9. Manomètre
10. Clapet de détente
11. Gâchette
12. Buse de rallonge
13. Flexible avec raccord pneumatique
14. Flexible
15. Embout pour ballon
16. Petit adaptateur universel
17. Adaptateur pour valve
18. Adaptateur universel
19. Adaptateur d'embout pour le jeu d'embouts
20. Jeu d'embout

3. FONCTIONNEMENT



À usage domestique uniquement.



L'appareil vibre pendant le fonctionnement. Quand l'appareil est en marche, reposez-le toujours sur ses pieds en caoutchouc.

Raccordement de l'appareil à une prise (Fig. A)

1. Ouvrez le couvercle et sortez le flexible pneumatique (14) et les accessoires dont vous avez besoin du compartiment de rangement (2).
2. Assurez-vous que l'interrupteur MARCHE/ARRÊT (3) est en position « 0 » (arrêt).
3. Branchez le câble d'alimentation (4) à une prise.



Avant d'utiliser l'appareil, assurez-vous que la tension secteur est conforme aux spécifications sur la plaque signalétique. Les câbles d'alimentation longs, les rallonges, les enrouleurs de câble, etc. causent une chute de tension et peuvent empêcher le démarrage du moteur.



L'appareil vibre pendant le fonctionnement. Pendant le fonctionnement, reposez-le toujours sur ses pieds en caoutchouc.

Interrupteur Marche/Arrêt (Fig. A)

- Déplacez l'interrupteur MARCHE/ARRÊT (4) en position « I » pour mettre l'appareil en marche.
- Déplacez l'interrupteur MARCHE/ARRÊT (4) en position « O » pour arrêter l'appareil.



L'appareil n'est pas conçu pour un fonctionnement continu. Pour empêcher la surchauffe du moteur, l'appareil doit être utilisé uniquement comme suit : Sur une période de 10 minutes, l'appareil ne peut être utilisé que pendant 15 % de la période, soit 1,5 minutes. Durant le reste de la période (8,5 minutes) l'appareil doit refroidir.

Connexion du pistolet (Fig. B1)

- Insérez le connecteur (7) du pistolet (8) dans le raccord rapide (6) sur le flexible. Lorsque vous l'enfoncez, le connecteur s'enclenche en position pour fixer le pistolet.

Déconnexion du pistolet (Fig. B2)

Lorsque vous relâchez le raccord rapide, assurez-vous de tenir le raccord afin de vous protéger contre les blessures causées par le rebond du flexible.

- Tirez le manchon du raccord rapide (6) vers l'arrière et retirez l'outil.

Utilisation du pistolet pour le soufflage (Fig. C)

Le pistolet (8) peut être utilisé de cette manière pour souffler l'air afin d'effectuer différentes tâches de nettoyage et pour les zones difficiles d'accès. La gâchette (11) sur le pistolet (8) permet de doser de manière précise le volume d'air.

1. Dévissez le flexible (13) du pistolet (8)
2. Remplacez-le par la buse de rallonge (12).

Utilisation du pistolet pour le gonflage des pneus de véhicule (Fig. C & D)

Le pistolet (8) peut être utilisé de cette manière pour gonfler les pneus, les lits gonflables, etc.

1. Si le flexible (13) n'est pas assemblé, raccordez-le au pistolet (8) en le vissant.
2. Raccordez le raccord pneumatique directement à la valve pneumatique de l'objet à gonfler.
Pour le raccordement : appuyez sur la pince du flexible (13) et enfoncez-le sur la valve de l'objet.

3. Contrôlez d'abord la pression de l'objet. Lisez la pression indiquée par le manomètre (9):
 - Pression trop élevée : appuyez sur le bouton (10) de gauche pour laisser échapper de l'air.
 - Pression trop basse : appuyez sur la gâchette (11) pour gonfler l'objet jusqu'à la pression voulue.
4. Pour vérifier la pression atteinte, relâchez la gâchette (11) et consultez le cadran du manomètre (9).
5. Déconnecter l'embout de gonflage.



Consultez le manuel de votre automobile pour connaître la pression correcte des pneus avant de les gonfler.



Le manomètre (9) n'est pas étalonné ! Après le gonflage des pneus, vérifiez toujours la pression des pneus avec un appareil étalonné, par ex. dans une station essence.



Risque de blessures ! Ne gonflez aucun objet au-delà de la pression prévue. Il pourrait éclater et provoquer des blessures ou des dégâts matériels.

Utilisation des adaptateurs pour gonfler d'autres objets (Fig. C & D)

Le pistolet (8) est fourni avec plusieurs adaptateurs (15-20) pour gonfler tout type d'objet. Ces adaptateurs (15-19) peuvent être raccordés directement au raccord pneumatique (13). Pour le raccordement, appuyez sur la pince du raccord (13) et fixez l'adaptateur que vous voulez utiliser.

Embout pour ballon (Fig. C)

L'embout pour ballon (15) peut être utilisé pour gonfler les ballons. Enfoncez l'embout (15) dans la valve d'un ballon et gonflez selon les instructions ci-dessus.

Adaptateur universel (Fig. C)

L'adaptateur universel (16, 18) facilite le gonflage des matelas pneumatiques, des brassards, etc. Enfoncez l'adaptateur (16, 18) sur la valve et gonflez selon les instructions ci-dessus.

Adaptateur pour valve (Fig. C)

L'adaptateur pour valve (17) facilite le gonflage des pneus de vélo. Il fonctionne parfaitement avec les

valves Sclaverand, valves de course et valves "Dunlop" universelles. Enfoncez l'adaptateur (17) sur la valve et gonflez selon les instructions ci-dessus.

Jeu d'embout (Fig. C)

Les embouts (20) facilitent le gonflage des matelas pneumatiques, des brassards, etc. Enfoncez l'un des embouts (20) sur l'adaptateur d'embout (19) et procédez au gonflage comme décrit ci-dessus.

4. ENTRETIEN



Débranchez toujours la machine du secteur avant d'effectuer toute opération de maintenance.

Nettoyez régulièrement le boîtier de la machine à l'aide d'un chiffon doux et de préférence après chaque utilisation. Assurez-vous que les fentes d'aération restent exemptes de poussière et de saletés. Supprimez les taches tenaces à l'aide d'un chiffon doux légèrement humide et d'une solution savonneuse. N'utilisez aucun solvant comme de l'essence, de l'alcool, de l'ammoniaque, etc. car ces produits chimiques peuvent endommager les composants synthétiques.

ENVIRONNEMENT



Les équipements électroniques ou électriques défectueux ou destinés à être mis au rebut doivent être déposés aux points de recyclage appropriés.

Uniquement pour les pays de l'UE

Ne jetez pas les outils électriques avec les déchets domestiques. Selon la Directive européenne 2012/19/CE relative aux déchets d'équipements électriques et électroniques et sa mise en œuvre dans le droit national, les outils électriques hors d'usage doivent être collectés séparément et mis au rebut de manière écologique.

GARANTIE

Les produits VONROC sont développés aux plus hauts standards de qualité et ils sont garantis contre les défauts de pièces et de main d'œuvre pendant la durée légale stipulée à partir de la date d'achat d'origine du produit. En cas d'une quelconque panne du produit pendant cette durée qui serait due à un défaut matériel et/ou de main d'œuvre, contactez directement VONROC.

Les circonstances suivantes ne sont pas prises en charge par la garantie:

- Des réparations ou altérations ont été effectuées ou tentées sur la machine par un centre de réparation non agréé.
- L'usure normale.
- L'outil a été maltraité, mal utilisé ou mal entretenu.
- Des pièces détachées non d'origine ont été utilisées.

Ceci constitue l'unique garantie accordée par la société explicitement ou implicitement. Il n'existe aucune autre garantie, explicite ou implicite, qui peut s'étendre au-delà du contenu ici présent, y compris les garanties marchandes ou d'adaptation à des fins particulières. En aucun cas VONROC ne sera tenu responsable de dommages accidentels ou consécutifs. Les solutions proposées par les revendeurs devront se limiter à la réparation ou le remplacement des éléments ou pièces non conformes.

Le produit et le manuel d'utilisation sont sujets à modifications. Les spécifications peuvent changer sans préavis.

1. INSTRUCCIONES DE SEGURIDAD

Lea las advertencias de seguridad, las advertencias de seguridad adicionales y las instrucciones adjuntas. De no respetarse las advertencias de seguridad y las instrucciones, podrían producirse descargas eléctricas, incendios y/o lesiones graves. Conserve las advertencias de seguridad y las instrucciones para su posterior consulta.

Los siguientes símbolos se utilizan en el manual de usuario o en el producto:



Lea el manual de usuario.



Denota riesgo de lesiones personales, pérdida de vida o daños a la herramienta en caso de incumplimiento de las instrucciones del presente manual.



Use solo en interiores.



Utilice un mecanismo para proteger los oídos.



Nivel de potencia acústica.



Retire el enchufe de la toma de corriente.



Riesgo de quemaduras causadas por superficies calientes.



¡Atención! El compresor puede volver a arrancar automáticamente en caso de interrupción generalizada de la corriente y tras da misma.



Máquina de clase II - Doble aislamiento - No necesita enchufe con puesta a tierra.



No tire el producto en contenedores no apropiados.



El producto es conforme con las normas de seguridad vigentes en las Directivas Europeas.

INSTRUCCIONES GENERALES DE SEGURIDAD



PRECAUCIÓN! Lea todas las advertencias de seguridad y todas las instrucciones. Si no lo hace, el uso indebido puede acarrear cortocircuitos, fuego o lesiones graves.

Conserve estas instrucciones.

El término "herramienta eléctrica", en todas las advertencias enumeradas a continuación se refiere a su herramienta eléctrica (i nalámbrica) que funciona con una batería o a través de la red eléctrica.

1) Área de trabajo

- Trabaje en un lugar limpio y bien iluminado.** Lugares no iluminados o sucios propician accidentes.
- No use herramientas eléctricas donde haya riesgo de fuego o explosión, p.ej: cerca de líquidos o gases inflamables, polvo etc.** Las herramientas eléctricas producen chispas que pueden producir la ignición de partículas de humo.
- Mantenga a los niños y otras personas alejados mientras utiliza la herramienta eléctrica.** Las distracciones pueden hacer que pierda el control de la herramienta.

2) Seguridad eléctrica

- Cerciérese de que las clavijas de la herramienta eléctrica están correctamente enchufadas. Nunca modifique la clavija. No utilice ningún adaptador para la clavija de una herramienta eléctrica con conexión a tierra.** Las clavijas que no se hayan cambiado y los enchufes adecuados reducen el riesgo de cortocircuitos.
- Evite el contacto humano con superficies con conexiones a tierra como tubos metálicos, conductos, tubos de la calefacción, radiadores y refrigeradores.** El riesgo de cortocircuitos es mayor cuando el cuerpo está en contacto con el suelo.
- No use herramientas eléctricas bajo la lluvia o en entornos húmedos.** Si entra agua en una herramienta eléctrica aumenta el riesgo de cortocircuito.
- No utilice el cable para todo. Nunca utilice el cable para mover la máquina, empujarla o sacar la clavija del enchufe. Mantenga el cable alejado del calor, aceite, zonas cortantes o piezas en movimiento.** Los cables dañados o enredados aumentan el riesgo de cortocircuito.
- Use un cable alargador impermeable adecuado para exteriores cuando trabaje con la herra-**

- mienta eléctrica al aire libre.** El riesgo de cortocircuito es menor si utiliza un cable alargador adecuado para exteriores.
- f) **Si no se puede evitar el uso de la herramienta eléctrica en un lugar húmedo, use suministro protegido mediante dispositivo diferencial residual (DDR).** El uso de un DDR reduce el riesgo de choque eléctrico.
- h) **No permita que la familiaridad adquirida con el uso frecuente de las herramientas le haga confiarse e ignorar los principios de seguridad de las herramientas.** Una acción descuidada puede causar lesiones graves en una fracción de segundo.
- 3) Seguridad personal**
- a) **No se descuide, preste atención a lo que está haciendo y utilice el sentido común mientras trabaje con esta herramienta. No use herramientas eléctricas cuando esté cansado o esté bajo los efectos del alcohol, las drogas o los medicamentos.** Un momento de distracción, mientras utilice la herramienta eléctrica, puede provocar lesiones personales graves.
- b) **Use equipo de protección individual. Use siempre gafas protectoras.** El uso en condiciones apropiadas del equipo de seguridad como por ejemplo: mascarilla antipolvo, zapatos antideslizantes de seguridad, casco o protección para los oídos, disminuye el riesgo de sufrir lesiones personales.
- c) **Evite arranques involuntarios. Asegúrese de que el interruptor está en la posición de apagado antes de conectarlo a la fuente de electricidad.** Transportar herramientas eléctricas con el dedo puesto sobre el interruptor o enchufarlas con el interruptor encendido puede causar accidentes.
- d) **Quite cualquier llave de ajuste antes de encender la herramienta eléctrica.** Una llave olvidada junto a una pieza móvil de la herramienta eléctrica puede provocar lesiones personales graves.
- e) **No se estire demasiado. Mantenga siempre el equilibrio y tenga los pies en el suelo.** Esto permite un mayor control de la herramienta eléctrica en situaciones inesperadas.
- f) **Vístase apropiadamente. No lleve prendas holgadas o joyas. Mantenga su pelo, ropa y guantes alejados de las piezas móviles.** Las prendas holgadas, las joyas y el pelo largo pueden quedar atrapados en las piezas móviles.
- g) **Si se han suministrado dispositivos para la extracción y recogida de polvo asegúrese de que estos estén conectados y se utilicen correctamente.** El uso de estos dispositivos puede reducir los riesgos relacionados con el polvo.
- h) **Mantenga las asas y las superficies de agarre secas, limpias y libres de aceite y grasa.** Las asas y las superficies de agarre resbaladizas no permiten un manejo y control seguros de la herramienta en situaciones inesperadas.
- 4) Utilización y cuidados de la herramienta eléctrica**
- a) **No fuerce la herramienta eléctrica. Utilice la herramienta eléctrica adecuada para el trabajo que vaya a realizar.** Una herramienta eléctrica apropiada realizará un trabajo mejor y más seguro si se utiliza para el objetivo con el que ha sido diseñada.
- b) **No use herramientas que no pueden encenderse o apagarse con el interruptor.** Las herramientas que ya no se puedan encender y apagar son peligrosas y deben repararse.
- c) **Desenchufe la clavija de la toma de electricidad antes de realizar modificaciones, cambiar accesorios o guardar las herramientas eléctricas.** Tales medidas de seguridad preventivas reducen el riesgo de la puesta en marcha accidental.
- d) **Mantenga a los niños alejados de una herramienta eléctrica sin utilizar y no permita a personas que no estén familiarizadas con la máquina o estas instrucciones utilizar la herramienta.** La herramienta eléctrica puede ser peligrosa cuando la utilicen personas sin experiencia.
- e) **Conserve sus herramientas cuidadosamente. Verifique cualquier desalineación o agarramiento de piezas móviles, piezas dañadas y cualquier otra causa, que pudiera repercutir en el buen funcionamiento de la herramienta eléctrica. Si la herramienta está estropeada, repárela antes de utilizarla.** Muchos de los accidentes están causados por un mantenimiento insuficiente del equipo eléctrico.
- f) **Mantenga las herramientas de corte limpias y afiladas.** Sierras con esquinas cortantes con un buen mantenimiento se bloquean menos y son más fáciles de controlar.
- g) **Utilice la herramienta eléctrica, accesorios y brocas etc. Siguiendo las instrucciones atendiendo al tipo de herramienta eléctrica y tenga en cuenta las condiciones de trabajo y el tipo de trabajo que se va a realizar.** Puede ser peligroso realizar trabajos con la herramienta diferentes de aquellos para los que está diseñada.

5) Uso y cuidado de las herramientas alimentadas por batería

- a) **Recargue las baterías únicamente con el cargador recomendado por el fabricante.** Un cargador que es apto para un tipo de baterías determinado puede provocar riesgo de incendio si se usa para cargar otra clase de baterías.
- b) **Use las herramientas eléctricas sólo con las baterías indicadas específicamente.** El uso de otra clase de baterías diferente puede ocasionar el riesgo de derivar en lesiones o un incendio.
- c) **Cuando el paquete de baterías no esté en uso, consérvelo retirado de objetos metálicos como sujetapapeles, monedas, llaves, clavos, tornillos o cualquier otro objeto metálico pequeño que pueda hacer puente entre las terminales.** El contacto entre las terminales de la batería puede causar quemaduras o incendio.
- d) **Bajo condiciones extremas de abuso la batería podría expulsar un líquido; evite todo contacto. Si se produjese contacto accidentalmente, lávese bien con agua. Si el líquido hace contacto con los ojos, consulte también al médico.** El líquido emanado de la batería puede causar irritaciones o quemaduras.
- e) **No utilice una batería o una herramienta que esté dañada o modificada.** Las baterías dañadas o modificadas pueden presentar un comportamiento impredecible y provocar un incendio, una explosión o riesgo de lesiones.
- f) **No exponga una batería o una herramienta al fuego o a temperatura excesiva.** La exposición al fuego o a temperaturas superiores a 130 °C puede provocar una explosión.
NOTA: La temperatura "130 °C" puede sustituirse por la temperatura "265 °F".
- g) **Siga todas las instrucciones de carga y no cargue la batería o la herramienta fuera del rango de temperatura especificado en las instrucciones.** La carga incorrecta o a temperaturas fuera del rango especificado puede causar daños a la batería y aumentar el riesgo de incendio.

6) Servicio

- a) **Haga reparar su herramienta eléctrica por una persona cualificada, usando solo piezas de repuesto idénticas.** Esto garantiza que se mantenga la seguridad de la herramienta eléctrica.
- b) **Nunca repare las baterías dañadas.** El mantenimiento de las baterías debe ser realizado solo por el fabricante o los proveedores de servicio autorizados.

NORMAS DE SEGURIDAD ESPECÍFICAS

- ¡Precaución! El compresor sólo puede utilizarse en espacios adecuados (con buena ventilación y una temperatura ambiente comprendida entre los +0°C y +40° C).
- No ejecute ninguna actividad en el compresor sin haber desconectado primero el enchufe de la toma de alimentación eléctrica.
- No dirija chorros de agua o de líquidos inflamables hacia el compresor.
- No coloque objetos inflamables cerca del compresor.
- Coloque el botón de regulación (4) de la presión en la posición "0"(OFF = apagado) durante las pausas del funcionamiento.
- No dirija nunca el chorro de aire hacia personas o animales.
- Nota: algunas partes del compresor como el cabezal y los tubos de alimentación directa pueden alcanzar altas temperaturas. No toque estas partes para evitar quemaduras.
- Transporte el compresor empleando una carretilla elevadora o mediante las empuñaduras o mangos especiales.
- Mantenga a los niños y a los animales retirados del área de funcionamiento del equipo.
- Si usa el compresor para pintar a presión:
 - a) No trabaje en áreas cerradas o cerca al fuego.
 - b) Asegúrese de que el área donde trabaja cuenta con la ventilación adecuada.
 - c) Protégase la nariz y la boca con una máscara apropiada.
- No use el compresor si el cable de alimentación o el enchufe están dañados. Pida a un servicio autorizado que lo sustituya por una parte de recambio original.
- Cuando el compresor esté colocado sobre una superficie más alta que el suelo, deberá asegurarlo para evitar que se caiga mientras está en funcionamiento.
- No introduzca ningún objeto, ni las manos en las cubiertas de protección para evitar lesiones físicas y daños al compresor.
- No use el compresor para golpear personas, objetos o animales; evite daños y lesiones graves.
- Siempre que no esté usando el compresor, retire el enchufe de la toma de alimentación eléctrica.
- Asegúrese de usar siempre para el aire comprimido tubería neumática adecuada para la presión máxima que permite el compresor. No trate de reparar la tubería si está dañada.

INDICACIONES DE SEGURIDAD PARA EL TRABAJO CON PISTOLAS DE AIRE COMPRIMIDO

- El compresor y las mangueras pueden calentarse mucho durante el funcionamiento. Pueden producir quemaduras al contacto.
- Los gases o vapores aspirados por la entrada del compresor deben mantenerse libres de aditivos que puedan provocar incendios o explosiones en el interior del compresor.
- Al desmontar el cabezal de acoplamiento, sujételo siempre con firmeza para evitar el riesgo de sufrir lesiones causadas por el desprendimiento de la manguera.
- Utilice gafas de seguridad cuando trabaje con la pistola de soplado. Los cuerpos extraños y las partículas sopladas pueden provocar lesiones con facilidad.
- No dirija la pistola de soplado hacia las personas ni la utilice para limpiar la ropa que lleva puesta.

Seguridad eléctrica

Cuando utilice máquinas eléctricas, cumpla siempre las normas de seguridad aplicables en su país para reducir el riesgo de incendios, descargas eléctricas y lesiones corporales. Lea las siguientes instrucciones de seguridad.



Compruebe siempre que la tensión de la fuente de energía corresponda con la tensión de la etiqueta de la placa de datos.

Sustitución de cables o enchufes

Deseche inmediatamente los cables o enchufes viejos retirados cuando hayan sido sustituidos por otros nuevos. Es peligroso insertar el enchufe de un cable suelto a una toma de corriente de pared.

Uso de cables prolongadores

Use solo un cable prolongador apto para la potencia nominal de la máquina. El tamaño mínimo del conductor es de 1,5 mm². Cuando utilice un carrete de cable, desenróllelo siempre completamente.

2. INFORMACIÓN DE LA MÁQUINA

Uso previsto

Este aparato está diseñado para soplar aire para trabajos de limpieza, inflar neumáticos de automóviles, neumáticos de bicicletas, colchones inflables, pelotas deportivas, etc. en conjunto con el adaptador suministrado.

El aparato no está diseñado para un funcionamiento continuo.

ESPECIFICACIONES TÉCNICAS

| Modelo n.º | CR501AC |
|----------------------------|------------------|
| Voltaje | 220-240 V~ |
| Frecuencia | 50 Hz |
| Potencia del motor | 1100 W |
| Modo de funcionamiento | S3 15 % -10 min* |
| Velocidad en vacío | 3750/min |
| Clase IP | IP 20 |
| Entrada de aire | 180 l/min |
| Presión de salida máx | 8.0 Bar |
| Peso | 4,9 kg |
| Nivel de potencia acústica | 97 dB (A) |

* S3 = funcionamiento intermitente sin el impacto del arranque. Esto significa que durante un período de 10 minutos, el tiempo máximo de funcionamiento es del 15 % (1,5 minutos).

DESCRIPCIÓN

Los números del texto se refieren a los diagramas de las páginas 2-3.

1. Salida de aire del acoplador rápido
2. Compartimento para los accesorios
3. Asa de transporte
4. Interruptor
5. Cable eléctrico
6. Acoplador rápido
7. Conector
8. Pistola de aire
9. Manómetro
10. Válvula de liberación
11. Gatillo
12. Boquilla de extensión
13. Manguera con acoplador de aire
14. Manguera de aire

- 15. Aguja de bola
- 16. Adaptador universal pequeño
- 17. Adaptador de válvula
- 18. Adaptador universal
- 19. Adaptador de boquilla para el juego de boquillas
- 20. Juego de boquillas

3. FUNCIONAMIENTO



Para uso doméstico únicamente.



El aparato vibra durante el funcionamiento. Durante el funcionamiento, coloque la pistola siempre hacia atrás sobre sus patas de goma.

Conexión de la pistola a una toma de corriente (Fig. A)

1. Abra la tapa y saque la manguera de aire (14) y los accesorios necesarios del compartimento de almacenamiento (2).
2. Asegúrese de que el interruptor de encendido y apagado ON/OFF (4) esté en la posición «O» (Apagado).
3. Conecte el cable eléctrico (5) a una toma de corriente.



Antes de utilizar el aparato, asegúrese de que la tensión de red cumple con las especificaciones de la placa de características. Los cables de alimentación largos, las prolongaciones, las bobinas de cable, etc. causan una caída de tensión y pueden impedir que arranque el motor.



El aparato vibra durante el funcionamiento. Durante el funcionamiento, coloque la pistola siempre hacia atrás sobre sus patas de goma.

Interruptor de encendido/apagado (Fig. A)

- Ponga el interruptor de encendido y apagado ON/OFF (4) en la posición «I» para encender el aparato.
- Ponga el interruptor de encendido y apagado ON/OFF (4) en la posición «O» para apagar el aparato.



El aparato no está diseñado para un funcionamiento continuo. Para evitar el sobrecalentamiento del motor, el aparato debe utilizarse exclusivamente de la siguiente manera: En un período de 10 minutos, el aparato solo puede funcionar durante el 15 % del período, es decir, 1,5 minutos. Durante el resto del período (8,5 minutos), el aparato debe enfriarse.

Conexión de la pistola de aire comprimido (Fig. B1)

- Inserte el conector (7) de la pistola de aire (8) en el acoplador rápido (6) de la manguera de aire. Al empujar, el conector encaja en su sitio para asegurar la pistola de aire comprimido.

Desconexión de la pistola de aire comprimido (Fig. B2)



Cuando suelte el enganche rápido, asegúrese de sujetar el enganche para protegerse de las lesiones causadas por la manguera si rebota.

- Tire hacia atrás del manguito del acoplador rápido (6) y retire la herramienta.

Utilización de la pistola de aire comprimido como pistola de soplado (Fig. C)

De esta manera, la pistola de aire (8) se puede utilizar para soplar aire para varios fines de limpieza y para limpiar zonas de difícil acceso. El gatillo (11) de la pistola (8) permite una dosificación exacta del volumen de aire.

1. Desatornille la manguera (13) de la pistola de aire (8)
2. Reemplácela por la boquilla de extensión (12).

Utilización de la pistola de aire para inflar neumáticos de automóviles (Fig. C y D)

De esta manera, la pistola de aire comprimido (8) puede utilizarse para inflar neumáticos, colchones hinchables, etc.

1. En caso de que la manguera (13) no esté montada, conéctela a la pistola de aire (8) atorillándola.
2. Conecte el acoplador de aire directamente a una válvula de aire del objeto a inflar. Para realizar la conexión: presione la abrazadera sobre la manguera (13) y empújela sobre la válvula del objeto.

3. Compruebe primero la presión del objeto. Lectura de la presión en el manómetro (9):
 - Presión demasiado alta: pulse el botón (10) del lado izquierdo para liberar aire.
 - Presión demasiado baja: presione el gatillo (11) para llenar el objeto hasta la presión requerida.
4. Compruebe la presión soltando el gatillo (11) y lea el valor el manómetro (9).
5. Desconexión de la pistola de inflado de neumáticos.



Compruebe el manual de servicio de su coche para conocer la presión correcta de los neumáticos de su coche.



¡El manómetro (9) no está calibrado! Después de inflar los neumáticos, compruebe siempre la presión de los neumáticos con un dispositivo calibrado, por ejemplo, en una gasolinera.



¡Riesgo de lesiones personales! No supere nunca el nivel de presión previsto en ningún objeto. Los objetos podrían reventar y causar lesiones y/o daños materiales.

Utilización de los adaptadores para inflar otros objetos (Fig. C y D)

La pistola de aire comprimido (8) se suministra con varios tipos de adaptadores (15-20) para inflar todo tipo de objetos. Estos adaptadores (15-19) se pueden conectar directamente al acoplador de aire (13). Para realizar la conexión, presione la abrazadera en el acoplador (13) y conecte el adaptador (15-19) que desee utilizar.

Adaptador para balones (Fig. C)

Con el adaptador para balones (15) se pueden inflar balones. Introduzca el adaptador (15) en la válvula del balón e ínflalo como se ha descrito anteriormente.

Adaptador universal (Fig. C)

Los adaptadores universales (16,18) facilitan el inflado de colchones de aire, manguitos de natación, etc. Coloque uno de los adaptadores (16,18) sobre la válvula e infle como se ha descrito anteriormente.

Adaptador de válvula (Fig. C)

El adaptador de válvula (17) facilita el inflado de neumáticos de bicicletas. Funciona bien con válvulas «Sclaverand», válvulas de carrera y válvulas universales «Dunlop». Empuje el adaptador (17) sobre la válvula y proceda con el inflado tal como se ha descrito anteriormente.

Juego de boquillas (Fig. C)

Las boquillas (20) facilitan el inflado de colchones de aire, manguitos de natación, etc. Empuje una de las boquillas (20) sobre el adaptador de boquilla (19) e infle como se describe anteriormente.

4. MANTENIMIENTO



Desconecte siempre el aparato de la red eléctrica principal antes de realizar cualquier trabajo de mantenimiento.

Limpie regularmente la carcasa del aparato con un paño suave, preferentemente después de cada uso. Compruebe que los orificios de ventilación estén libres de polvo y suciedad. Elimine el polvo persistente utilizando un paño suave humedecido con agua y jabón. No use disolventes tales como gasolina, alcohol, amoníaco, etc. Tales productos químicos pueden dañar los componentes sintéticos.

MEDIOAMBIENTE



Los aparatos eléctricos o electrónicos defectuosos y/o desechados deben recogerse en lugares de reciclado apropiado.

Solo para países de la Comunidad Europea

No elimine las herramientas eléctricas como residuos domésticos. De acuerdo con la Directiva europea 2012/19/CE sobre residuos de aparatos eléctricos y electrónicos, y su transposición a las legislaciones nacionales, las herramientas eléctricas que ya no se utilizan deben recogerse por separado y eliminarse en modo ecológico.

CONDICIONES DE GARANTÍA

Los productos VONROC han sido desarrollados con los más altos estándares de calidad y VONROC garantiza que están exentos de defectos relacionados con los materiales y la fabricación durante el periodo legalmente estipulado, a contar desde la fecha de compra original. En caso de que el producto presente defectos relacionados con los materiales y/o la fabricación durante este periodo, póngase directamente en contacto VONROC.

La presente garantía se excluye en los siguientes casos:

- Si centros de servicios no autorizados han realizado o han intentado realizar reparaciones y/o alteraciones a la máquina.
- Si se ha producido un desgaste normal.
- Si la herramienta ha sido mal tratada o usada en modo impropio, o se ha realizado incorrectamente su mantenimiento.
- Si se han utilizado piezas de repuesto no originales.

La presente constituye la única garantía implícita y explícita que ofrece la compañía. No existen otras garantías explícitas o implícitas que excedan las citadas aquí, incluidas las garantías implícitas de comerciabilidad e idoneidad para una finalidad en especial. VONROC no será considerada responsable en ningún caso por daños incidentales o consecuentes. Los recursos a disposición de los distribuidores se limitan a la reparación o a la sustitución de las unidades o piezas no conformes.

El producto y el manual de usuario están sujetos a variaciones. Las especificaciones pueden variarse sin previo aviso.

1. ISTRUZIONI DI SICUREZZA

Leggere accuratamente gli avvisi di sicurezza, gli avvisi di sicurezza aggiuntivi e le istruzioni. La mancata osservanza degli avvisi di sicurezza e delle istruzioni potrebbe causare scosse elettriche, incendio e/o gravi lesioni. Mantenere gli avvisi di sicurezza e le istruzioni a portata di mano per future consultazioni.

I seguenti simboli sono utilizzati nel presente manuale utente o sul prodotto:



Leggere il manuale utente.



Indica il rischio di lesioni personali, morte o danni all'utensile in caso di mancata osservanza delle istruzioni contenute nel presente manuale.



Solo per uso interno.



Indossare protezioni acustiche.



Livello di potenza sonora.



Rischio di scosse elettriche.



Rischio di ustioni causate da superfici molto calde.



Attenzione: il compressore potrebbe avviarsi automaticamente in caso di blackout e successivo ripristino della corrente.



Apparecchio di Classe II – Doppio isolamento - Non è necessario il collegamento a terra.



Non smaltire il prodotto in contenitori non idonei.



Il prodotto è conforme agli standard pertinenti in materia di sicurezza previsti dalla legislazione Europea.

REGOLE GENERALI DI SICUREZZA



ATTENZIONE! Leggere tutte le avvertenze di sicurezza e tutte le istruzioni. Se non si seguono tutte le istruzioni sotto elencate, si può incorrere in uno shock elettrico, in un incendio e/o in lesioni serie.

Conservare queste istruzioni.

Il termine "arnese elettrico" in tutti gli avvertimenti sotto elencati si riferisce al vostro arnese elettrico che funziona a corrente (con filo) o ad un arnese che funziona a pile (senza filo).

1) Area di lavoro

- a) **Mantenere l'area di lavoro pulita e ben illuminata.** Aree buie e disordinate favoriscono gli incidenti.
- b) **Non usare arnesi elettrici in atmosfere esplosive, come vicino ai liquidi infiammabili, gas o polveri.** Gli arnesi elettrici creano scintille che possono incendiare la polvere dei vapori.
- c) **Tenere lontani bambini e altre persone mentre si accende l'arnese elettrico.** Le distrazioni possono farvi perdere il controllo.

2) Sicurezza elettrica

- a) **Le spine dell'arnese elettrico devono andare bene per la presa di corrente. Non modificare mai la spina in alcun modo. Non usare alcun adattatore con arnesi elettrici a terra (messo a terra).** Spine non modificate che vanno bene per le prese di corrente ridurranno il rischio di shock elettrico.
- b) **Evitare il contatto corporeo con superfici a terra come tubature, radiatori, fornelli e frigoriferi.** C'è un rischio maggiore di shock elettrico se il vostro corpo è a terra.
- c) **Non esporre arnesi elettrici alla pioggia o a condizioni di umidità.** Se dell'acqua penetra nell'arnese elettrico aumenterà il rischio di shock elettrico.
- d) **Non abusare del filo. Non usare mai il filo per trasportare, spingere o staccare dalla presa l'arnese elettrico. Tenere il filo lontano da calore, olio, bordi taglienti o parti mobili.** Fili danneggiati o aggrovigliati aumentano il rischio di shock elettrico.
- e) **Quando si accende un arnese elettrico all'aperto, usare una prolunga adatta a tale uso.** Usare un filo adatto all'uso all'aperto ridurrà il rischio di shock elettrico.

- f) **Se non è possibile evitare l'uso di un elettro-utensile in ambiente umido, usare una rete di alimentazione protetta da un interruttore differenziale (salvavita).** L'uso di un salvavita riduce il rischio di scosse elettriche.

3) Sicurezza personale

- a) **Stare vigili e attento quando si accende un arnese elettrico. Non usare un arnese elettrico mentre si è stanco o sotto l'effetto di droghe, alcool o medicinali.** Un momento di disattenzione mentre si accendono arnesi elettrici può causare delle gravi lesioni personali.
- b) **Usare dispositivi di protezione individuale. Indossare sempre una protezione per gli occhi.** Dispositivi di sicurezza come mascherina per la polvere, scarpe di sicurezza antiscivolo, casco, o protezioni per le orecchie usate nelle appropriate condizioni, ridurranno le lesioni personali.
- c) **Prevenire l'avvio accidentale. Assicurarsi che l'interruttore sia spento prima di collegarsi.** Trasportare elettro-utensili tenendo il dito sull'interruttore di accensione o dare corrente ad elettro-utensili con l'interruttore acceso può dare luogo a incidenti.
- d) **Rimuovere ogni chiave regolatrice o chiave per dadi prima di accendere l'arnese elettrico.** Una chiave per dadi o una chiave lasciata attaccata ad una parte rotante dell'arnese elettrico può provocare lesioni personali.
- e) **Cercare di mantenere l'equilibrio. Mantenere sempre un punto d'appoggio appropriato.** Questo consente un controllo migliore dell'arnese elettrico in situazioni inaspettate.
- f) **Vestirsi adeguatamente. Non indossare vestiti larghi o gioielli. Tenere lontano capelli, vestiti e guanti dalle parti mobili.** Vestiti larghi, gioielli o capelli lunghi possono essere presi nelle parti mobili.
- g) **Se vengono forniti dispositivi per la connessione dell'estrazione della polvere e attrezzature di raccolta, assicurarsi che questi siano collegati e usati correttamente.** L'uso di questi dispositivi può ridurre i rischi correlati alla polvere.
- h) **Non lasciare che la confidenza acquisita dall'uso frequente induca l'utilizzatore ad assumere comportamenti imprudenti e a ignorare i principi di sicurezza per l'utensile.** Una semplice distrazione può provocare gravi lesioni personali in una frazione di secondo.

4) Uso e manutenzione dell'arnese elettrico

- a) **Non forzare l'arnese elettrico. Usare l'arnese elettrico corretto per il vostro impiego.** L'arnese elettrico corretto farà il lavoro meglio e in maniera più sicura alla velocità per la quale è stato progettato.
 - b) **Non usare l'arnese elettrico se l'interruttore non si accende o non si spegne.** Ogni arnese elettrico che non può essere controllato con l'interruttore è pericoloso e deve essere riparato.
 - c) **Scollegare la spina dalla sorgente di elettricità prima di fare qualsiasi regolazione, cambiare gli accessori, o conservare arnesi elettrici.** Tali misure di sicurezza preventive riducono il rischio di accendere l'arnese elettrico accidentalmente.
 - d) **Conservare gli arnesi elettrici inattivi fuori dalla portata dei bambini e non permettere a persone che non hanno confidenza con l'arnese elettrico o con queste istruzioni di usare l'arnese elettrico.** Gli arnesi elettrici sono pericolosi per utenti inesperti.
 - e) **Mantenere gli arnesi elettrici. Controllare il non allineamento o l'attacco di parti mobili, la rottura di parti ed ogni altra condizione che può influire sul funzionamento degli arnesi elettrici. Se è danneggiato, far riparare l'arnese elettrico prima dell'uso.** Molti incidenti sono causati da arnesi elettrici mantenuti male.
 - f) **Mantenere gli arnesi da taglio affilati e puliti.** È meno probabile che si attacchino degli arnesi da taglio mantenuti correttamente con tagli affilati e questi sono anche più facili da controllare.
 - g) **Usare l'arnese elettrico, gli accessori e le parti dell'arnese ecc, secondo queste istruzioni e nel modo pensato per il particolare tipo di arnese elettrico, tenendo conto delle condizioni di lavoro e del lavoro da svolgere.** L'uso dell'arnese elettrico per operazioni diverse da quelle pensate potrebbe causare situazioni pericolose.
 - h) **Mantenere le impugnature e le superfici di presa asciutte, pulite e libere da olio e grasso.** Impugnature e superfici di presa scivolose non consentono di maneggiare e controllare in sicurezza l'utensile in situazioni impreviste.
- 5) Uso e manutenzione dell'utensile a batteria**
- a) **Ricaricare l'apparecchio esclusivamente con il caricabatterie specificato dal fabbricante.** Se si utilizza un caricabatterie di diverso tipo potrebbero verificarsi incendi.
 - b) **Utilizzare gli utensili elettrici solo con i pacchi batterie appositamente prescritti.** L'uso di

pacchi batterie di diverso tipo aumenta il rischio di infortunio o incendio.

- c) **Quando il pacco batterie non è in uso, tenerlo lontano da oggetti metallici quali fermagli, monete, chiavi, chiodi, viti o altri piccoli oggetti metallici che potrebbero mettere in collegamento i due poli.** Se i poli vengono messi in corto circuito, la batteria potrebbe emettere scintille o fiammate.
 - d) **In condizioni di uso scorretto, la batteria potrebbe emettere liquido: evitare pertanto di entrarvi in contatto. In caso di contatto accidentale, risciacquare con acqua. Se il liquido entra a contatto con gli occhi, consultare immediatamente un medico.** Il liquido emesso dalla batteria può causare irritazioni o ustioni.
 - e) **Non utilizzare un pacco batterie o l'utensile se danneggiati o manomessi.** Pacchi batterie danneggiati o manomessi potrebbero avere comportamenti imprevisti con il rischio di incendiarsi, esplodere o provocare lesioni a persone.
 - f) **Non esporre un pacco batterie o l'utensile alle fiamme o a temperature eccessivamente elevate.** L'esposizione alle fiamme o a temperature superiori a 130 °C potrebbe provocare un'esplosione.
 NOTA: la temperatura di "130 °C" corrisponde a "265 °F".
 - g) **Seguire tutte le istruzioni per la ricarica e non caricare il pacco batterie o l'utensile a temperature che non rientrino nell'intervallo specificato nelle istruzioni.** Se si effettua la ricarica in modo improprio o a temperature non comprese nell'intervallo specificato, il pacco batterie potrebbe subire danni e potrebbe aumentare il rischio di incendi.
- 6) Riparazione**
- a) **L'assistenza per l'elettro-utensile deve essere prestata da un tecnico qualificato che utilizzi soltanto ricambi originali.** In questo modo viene garantita la sicurezza dell'elettro-utensile.
 - b) **Non tentare di riparare pacchi batterie danneggiati.** La riparazione dei pacchi batteria deve essere effettuata esclusivamente dal produttore o presso centri di assistenza autorizzati.

ISTRUZIONI DI SICUREZZA SPECIALI

- Avvertenza! Il compressore può essere utilizzato solo in locali idonei (con buona ventilazione e una temperatura ambientale da 0 ° C a + 40 ° C).
- Non eseguire alcuna azione sul compressore senza prima aver staccato la spina dalla presa di corrente.
- Non puntare getti d'acqua o getti di liquidi infiammabili sul compressore.
- Non sistemare oggetti infiammabili vicino al compressore.
- Spostare l'interruttore (4) in posizione "0" (spento) durante le pause.
- Non dirigere mai il getto dell'aria verso persone o animali.
- NB: alcuni componenti del compressore, come la testata e i tubi di alimentazione possono raggiungere temperature elevate. Non toccare queste parti per evitare scottature.
- Trasportare il compressore sollevandolo o utilizzando i manici o appigli appositamente concepiti.
- Bambini e animali devono essere tenuti lontano dalla zona di funzionamento dell'elettrotensile.
- Se si utilizza il compressore per verniciare a spruzzo:
 - a) Non lavorare in ambienti chiusi o in prossimità di fiamme libere.
 - b) Assicurarsi che l'ambiente in cui si dovrà lavorare disponga di un sistema di ventilazione dedicato.
 - c) Proteggere naso e bocca con una maschera apposita.
- Non usare il compressore quando il cavo elettrico o la spina sono danneggiati, richiedere al personale del Servizio di assistenza autorizzato di sostituirli con ricambi originali.
- Quando il compressore è posto su una superficie superiore del pavimento, dovrebbe essere bloccato per evitare che cada durante il funzionamento.
- Non inserire oggetti o le mani nelle coperture di protezione per evitare danni fisici e danni al compressore.
- Non utilizzare il compressore come corpo contundente contro persone, cose o animali, al fine di prevenire gravi danni.
- Se il compressore non è più in uso, staccare sempre la spina dalla presa di corrente.
- Accertarsi sempre che per l'aria compressa siano usati tubi flessibili per aria compressa e che

questi siano specificamente designati per una pressione adeguata a quella del compressore. Non tentare di riparare il tubo se è danneggiato.

ISTRUZIONI DI SICUREZZA PER LAVORI CON LE PISTOLE AD ARIA COMPRESSA

- Il compressore e i tubi flessibili possono scaldarsi molto durante l'uso. Il contatto con essi può provocare delle ustioni. I gas o vapori aspirati dalla presa d'aria del compressore non devono contenere additivi che potrebbero provocare incendi o esplosioni all'interno dell'apparecchio.
- Quando si rimuove il raccordo del tubo flessibile tenerlo saldamente, in modo da evitare di ferirsi se il tubo dovesse essere espulso con violenza.
- Quando si lavora con la pistola ad aria compressa, indossare occhiali di protezione. Corpi estranei e particelle soffiate via possono facilmente provocare lesioni.
- Non dirigere la pistola ad aria compressa verso persone e non usarla per pulire gli indumenti indossati.

Sicurezza elettrica

Quando utilizar máquinas eléctricas deve sempre respeitar as normas de segurança em vigor no local, devido ao perigo de incêndio, de choques eléctricos ou ferimentos pessoais. Para além das instruções abaixo, leia também as instruções de segurança apresentadas no folheto de segurança em anexo. Guarde as instruções num lugar seguro!



Verificare sempre che la tensione della rete di alimentazione corrisponda al valore riportato sulla targhetta dei valori nominali dell'elettrotensile.

Sostituzione di cavi o spine

Gettare via immediatamente i cavi o le spine vecchi dopo averli sostituiti. È pericoloso inserire la spina di un cavo allentato nella presa a muro.

Utilizzo di cavi di prolunga

Utilizzare esclusivamente un cavo di prolunga omologato adatto per la potenza nominale della macchina. La dimensione minima del conduttore è 1,5 mm². Quando si utilizza un avvolgicavo svolgere sempre completamente la bobina.

2. INFORMAZIONI RELATIVE ALL'ELETTROUTENSILE

Usò previsto

Questo apparecchio è concepito per soffiare aria durante l'esecuzione di lavori di pulizia e per il gonfiaggio di pneumatici di automobili e biciclette, materassini ad aria, palloni sportivi, ecc., in combinazione con l'adattatore fornito in dotazione.

Questo apparecchio non è progettato per il funzionamento continuo.

DATI TECNICI

| Modello n.º | CR501AC |
|---------------------------|-----------------|
| Tensione | 220-240 V~ |
| Frequenza | 50 Hz |
| Potenza motore | 1100 W |
| Modalità operativa | S3 15% -10 min* |
| Regime al minimo | 3750/min |
| Classe di protezione | IP 20 |
| Aria aspirata | 180 l/min |
| Pressione max. di uscita | 8.0 Bar |
| Peso | 4,9 kg |
| Livello di potenza sonora | 97 dB (A) |

* S3 = funzionamento intermittente senza influsso sul processo di avviamento. Questo significa che in un intervallo di tempo di 10 minuti il tempo di funzionamento massimo del motore è pari al 15% (ossia 1,5 min).

DESCRIZIONE

I numeri che compaiono nel testo si riferiscono agli schemi riportati alle pagine 2-3.

1. Uscita dell'aria con raccordo a innesto rapido
2. Scomparto accessori
3. Manico di trasporto
4. Interruttore
5. Cavo elettrico
6. Raccordo a innesto rapido
7. Connettore
8. Pistola ad aria
9. Manometro
10. Valvola di scarico
11. Grilletto
12. Ugello prolunga

13. Tubo flessibile con raccordo aria
14. Tubo flessibile
15. Valvola ad ago
16. Adattatore universale piccolo
17. Adattatore valvola
18. Adattatore universale
19. Adattatore ugello per kit di ugelli
20. Kit di ugelli

3. UTILIZZO



Solo per uso domestico.



L'apparecchio vibra durante il funzionamento. Durante il funzionamento appoggiarlo sempre in posizione sicura sui suoi piedini di gomma.

Collegamento dell'apparecchio a una presa di corrente (Fig. A)

1. Aprire il coperchio ed estrarre il tubo flessibile dell'aria (14) e gli accessori richiesti dallo scomparto accessori (2).
2. Assicurarsi che l'interruttore di accensione/spengimento (4) nella posizione "0" (apparecchio spento).
3. Collegare il cavo elettrico (5) a una presa di corrente.



Prima di utilizzare l'apparecchio accertarsi che la tensione di rete corrisponda alle specifiche tecniche riportate sulla targhetta dei valori nominali. L'impiego di cavi di alimentazione lunghi, prolunghie, avvolgicavo, ecc. provoca una caduta di tensione e può ostacolare l'avvio del motore.



L'apparecchio vibra durante il funzionamento. Durante il funzionamento appoggiarlo sempre in posizione sicura sui suoi piedini di gomma.

Interruttore di accensione/spengimento (Fig. A)

- Spostare l'interruttore di accensione/spengimento (4) nella posizione "I" per accendere l'apparecchio.
- Spostare l'interruttore di accensione/spengimento (4) nella posizione "0" per spegnere l'apparecchio.



Questo apparecchio non è progettato per il funzionamento continuo. Per evitare che il motore si surriscaldi l'apparecchio può essere usato solo come descritto di seguito: In un intervallo di 10 minuti il motore può funzionare solo per il 15% del periodo, ossia per 1,5 minuti. Durante il resto del periodo (8,5 minuti) l'apparecchio deve raffreddarsi di nuovo.

Collegamento della pistola ad aria compressa (Fig. B1)

- Inserire il connettore (7) della pistola ad aria compressa (8) nel raccordo a innesto rapido (6) del tubo flessibile. Quando il connettore viene premuto scatta in posizione e blocca la pistola ad aria compressa.

Distacco della pistola ad aria compressa dal tubo flessibile (Fig. B2)



Quando si rilascia il raccordo a innesto rapido assicurarsi di tenerlo fermo per proteggersi da possibili lesioni causate dal rimbalzo de tubo.

- Tirare indietro il manicotto sul raccordo a innesto rapido (6) e rimuovere l'utensile.

Uso della pistola ad aria compressa come pistola di soffiaggio (Fig. C)

In questa modalità la pistola ad aria compressa (8) può essere usata per soffiare l'aria per svariati scopi di pulizia e per pulire zone difficili da raggiungere. Il grilletto (11) della pistola (8) consente di dosare con esattezza il volume dell'aria.

1. Svitare il tubo flessibile (13) dalla pistola ad aria compressa (8).
2. Sostituirlo con l'ugello prolunga (12).

Uso della pistola ad aria compressa per gonfiare gli pneumatici delle automobili (Fig. C e D)

In questa modalità la pistola ad aria compressa (8) può essere usata per gonfiare pneumatici, letti gonfiabili, ecc.

1. Se il tubo flessibile (13) non è montato, collegarlo alla pistola ad aria compressa (8) avvitandolo.
2. Collegare il raccordo dell'aria direttamente a una valvola dell'aria dell'oggetto da gonfiare. Per effettuare la connessione premere il morsetto sul tubo flessibile (13) e spingerlo sulla valvola dell'oggetto.

3. Innanzitutto controllare la pressione dell'oggetto. Leggere il valore della pressione sul manometro (9):
 - Pressione troppo alta: premere il pulsante (10) sulla sinistra per scaricare l'aria.
 - Pressione troppo bassa: premere il grilletto (11) per gonfiare l'oggetto fino a raggiungere la pressione richiesta.
4. Controllare la pressione rilasciando il grilletto (11) e leggere il manometro (9).
5. Scollegare la pistola per il gonfiaggio di pneumatici.



Consultare il manuale di manutenzione della propria auto per verificare quale debba essere la pressione corretta degli pneumatici.



Il manometro (9) non è calibrato! Dopo il gonfiaggio dei pneumatici, controllare sempre la loro pressione con un dispositivo calibrato, ad esempio presso un distributore di benzina.



Rischio di lesioni personali! Non gonfiare oggetti a una pressione superiore a quella prevista. Potrebbero esplodere e provocare lesioni a persone e danni materiali.

Uso degli adattatori per gonfiare altri oggetti (Fig. C e D)

La pistola ad aria compressa (8) viene fornita con diversi adattatori (15-20) per gonfiare tutti i tipi di oggetti. Questi adattatori (15-19) possono essere collegati direttamente al raccordo del tubo dell'aria (13). Per il collegamento premere il morsetto sul raccordo (13) e montare l'adattatore (15-19) che si vuole utilizzare.

Valvola ad ago (Fig. C)

La valvola ad ago (15) può essere usata per gonfiare i palloni. Inserire la valvola ad ago (15) nella valvola di un pallone, come descritto sopra.

Adattatore universale (Fig. C)

Gli adattatori universali (16,18) agevolano il gonfiaggio di materassi ad aria, braccioli salvagente, ecc. Inserire uno degli adattatori (16,18) sulla valvola e procedere al gonfiaggio come descritto sopra.

Adattatore per valvole (Fig. C)

L'adattatore per valvole (17) agevola il gonfiaggio degli pneumatici delle biciclette. Inoltre è adatto per l'uso con le valvole "Sclaverand", le valvole da corsa e le valvole universali "Dunlop". Inserire l'adattatore (17) sulla valvola e gonfiare, come descritto sopra.

Kit di ugelli (Fig. C)

Gli ugelli (20) agevolano il gonfiaggio di materassi ad aria, braccioli salvagente, ecc. Inserire uno degli ugelli (20) sull'adattatore per ugelli (19) e procedere al gonfiaggio come descritto sopra.

4. MANUTENZIONE

Prima di eseguire qualsiasi intervento di manutenzione scollegare sempre la macchina dalla presa di corrente.

Pulire regolarmente il corpo dell'elettrotensile con un panno morbido, preferibilmente dopo ogni uso. Assicurarsi che le prese d'aria siano libere da polvere e sporczia. Rimuovere lo sporco particolarmente ostinato con un panno morbido inumidito con acqua e sapone. Non utilizzare solventi come benzina, alcol, ammoniaca, ecc. Le sostanze chimiche di questo tipo danneggiano i componenti sintetici.

RISPETTO AMBIENTALE

Le apparecchiature elettriche o elettroniche difettose e/o scartate devono essere raccolte presso gli opportuni siti di riciclaggio.

Solo per i Paesi CE

Non smaltire gli elettrotensili insieme ai rifiuti domestici. Secondo la Direttiva europea 2012/19/EC sui rifiuti delle apparecchiature elettriche ed elettroniche e relativa implementazione nelle normative locali, gli elettrotensili ormai inutilizzabili devono essere raccolti separatamente e smaltiti in modo ecologico.

DEFINIZIONI DELLA GARANZIA

I prodotti VONROC sono sviluppati secondo i più elevati standard di qualità e viene garantita l'assenza di difetti nei materiali e nella manodopera per il periodo contrattuale a partire dalla data di acquisto originale. Qualora il prodotto dovesse subire un guasto qualsiasi durante questo periodo a causa di difetti nei materiali e/o nella manodopera, si prega di contattare direttamente il VONROC.

Le seguenti circostanze sono escluse da questa garanzia:

- Riparazioni e/o modifiche alla macchina sono state eseguite o tentate da centri di assistenza non autorizzati.
- Normale usura.
- L'utensile è stato abusato, utilizzato o manutenu- to in modo improprio.
- Sono state utilizzate parti di ricambio non origi- nali.

Cio costituisce l'unica garanzia espressa o implicita fornita dall'azienda. Non esistono altre garanzie espresse o implicite che si estendono oltre il presente documento, ivi comprese le garanzie im- plicite di commerciabilità e idoneità per uno scopo particolare. In nessun caso VONROC sarà responsa- bile di eventuali danni incidentali o consequenziali. I rimedi dei rivenditori saranno limitati alla ripara- zione o sostituzione di unità o parti non conformi.

Il prodotto e il manuale per l'utente sono soggetti a modifiche. I dati tecnici possono essere modificati senza ulteriore notifica.

1. SÄKERHETSFÖRESKRIFTER

Läs de medföljande säkerhetsvarningarna, de tillkommande säkerhetsvarningarna och anvisningarna. Om inte säkerhetsvarningarna och anvisningarna följs kan detta orsaka elstöt, brand och/eller allvarliga kroppsskador. Behåll säkerhetsvarningarna och anvisningarna för framtida bruk.

Följande symboler används i bruksanvisningen eller på produkten:



Läs igenom bruksanvisningen.



Anger risk för personskada, dödsfall eller skada på verktyget om anvisningarna i denna handbok inte följs.



Använd endast inomhus.



Använd hörselskydd.



Ljudeffektnivå.



Risk för elstöt.



Risk för brännskador orsakade av heta ytor.



Varning: kompressorn kan starta automatiskt vid ett strömavbrott och efterföljande återställning.



Klass II-maskin - dubbel isolering - du behöver ingen jordad kontakt.



Släng inte produkten i olämpliga behållare.



Produkten är i överensstämmelse med tillämpliga säkerhetsstandarder i EU-direktiven.

ALLMÄNNA SÄKERHETSFRSKRIFTER



Varning! Läs alla säkerhetsvarningar och alla anvisningar. Om inte alla instruktioner som anges nedan efterföljs kan detta leda till el-stöt, eldsvåda och/eller allvarliga skada.

Spara dessa instruktioner.

Termen "elektriskt redskap" i varningarna som anges nedan hänvisar till elektriska verktyg (med sladd, anslutet till el-nätet) eller batteridrivna (sladdlösa) elektriska verktyg.

1) Arbetsutrymme

- Se till att arbetsutrymmet är städat och väl upplyst.** Stökiga och mörka utrymmen ger anledning till olyckor.
- Använd inte elektriska verktyg i explosiv luft, såsom i närheten av lättantändliga vätskor, gaser eller damm.** Elektriska verktyg åstadkommer gnistor som kan sätta eld på damm eller gas.
- Håll barn och obehöriga på avstånd när du använder ett elektriskt verktyg.** Om du blir distraherad kan du tappa kontrollen över verktyget.

2) El-säkerhet

- Stickkontakten till elektriska verktyg måste passa el-uttaget. Ändra aldrig på något sätt på stickkontakten. Använd inte adapterkontakter till jordade elektriska verktyg.** Oförändrade stickkontakter och passande uttag minskar risken för el-stöt.
- Undvik kroppskontakt med jordade ytor såsom rör, element, spisar och kylskåp.** Risken för el-stöt är större om din kropp är jordad.
- Låt inte elektriska verktyg utsättas för regn eller våta förhållanden.** Om det kommer in vatten i ett elektriskt verktyg ökar risken för el-stöt.
- Skada inte kabeln. Använd aldrig kabeln för att bära eller dra det elektriska verktyget eller för att dra ut stickkontakten. Håll sladden borta från höga temperaturer, olja, vassa kanter eller rörliga delar.** Skadade eller hoptrasslade kablar ökar risken för el-stöt.
- När du använder ett elektriskt verktyg utomhus måste förlängningskabeln vara lämplig för utomhusbruk.** Om man använder en förlängningskabel för utomhusbruk minskar risken för el-stöt.
- Använd jordfelskydd (RCD) om arbete med ett elverktyg i fuktig miljö är oundvikligt.** Användning av RCD minskar risken för elstöt.

3) Personlig säkerhet

- Var uppmärksam, titta på det du håller på med och använd sunt förnuft när du arbetar med ett elektriskt verktyg. Använd inte elektriska verktyg när du är trött eller står under inflytande av droger, alkohol eller mediciner. Ett ögonblick**

- uppmärksamhet vid användandet av elektriska verktyg kan leda till allvarliga personskador.
- b) **Använd personlig skyddsutrustning. Bär alltid skyddsglasögon.** Säkerhetsutrustning såsom skyddsmasker, skor med anti-halksula, hjälm eller hörselskydd som används vid rätt omständigheter kommer att minska personskador.
- c) **Förhindra oavsiktlig igångsättning. Se till att strömbrytaren är avslagen innan du sätter stickkontakten i eluttaget.** Om du bär elverktyg med fingret på brytaren eller strömsätter elverktyg vars brytare är aktiverad kan du råka ut för en olycka.
- d) **Ta bort skiftnycklar och skruvnycklar innan ett elektriskt verktyg slås på.** En skift- eller skruvnyckel som lämnas kvar fastsatt vid det elektriska verktygets roterande delar kan leda till personskada.
- e) **Sträck dig inte för långt. Se till att du alltid står stadigt och i balans.** På så sätt har du bättre kontroll över det elektriska verktyget i oväntade situationer.
- f) **Klä dig rätt. Bär inte löst sittande kläder eller smycken. Håll håret, kläder och handskar borta från rörliga delar.** Löst sittande kläder, smycken eller långt hår kan fastna i de rörliga delarna.
- g) **Om apparater för uppsugning och uppsamling av damm finns tillgängliga, se till att de ansluts och används korrekt.** Om sådana apparater används kan dammrelaterade faror minskas.
- h) **Låt inte erfarenheten som uppnås vid frekvent användning av verktyg låta dig bli för självsäker och ignorera verktygs säkerhetsprinciperna.** En oförsiktig handling kan orsaka allvarliga skador under bråkdelen av en sekund.
- 4) Underhåll av elektriska verktyg**
- a) **Överbelasta inte ett elektriskt verktyg. Använd rätt sorts verktyg till det arbete du vill utföra.** Rätt sorts elektriskt verktyg gör arbetet bättre och säkrare i den hastighet det var designat för.
- b) **Använd inte verktyget om strömbrytaren är trasig.** Om ett elektriskt verktyg inte kan kontrolleras med hjälp av en strömbrytare är det farligt och måste lagas.
- c) **Koppla loss stickkontakten från verktyget innan du utför några justeringar, byter tillbehör eller förvarar det.** Med dessa preventiva säkerhetsåtgärder minskas risken för att det elektriska verktyget går på av misstag.
- d) **Förvara elektriska verktyg som inte är i bruk utom räckhåll för barn och låt inte personer som inte känner till verktyget eller dessa instruktioner använda det.** Elektriska verktyg är farliga i händerna på oerfarna användare.
- e) **Underhåll elektriska verktyg. Kontrollera att alla rörliga delar är i rät linje och fastsatta, att inga delar är trasiga och att de är korrekt monterade. Kontrollera även annat som kan påverka verktygets funktion. Om det elektriska verktyget är trasigt måste det repareras innan det tas i bruk.** Många olyckor förorsakas av dåligt underhållna elektriska verktyg.
- f) **Håll alltid sågande och skärande verktyg vassa och rena.** Sågande och skärande verktyg med vassa eggar/skär fastnar inte så lätt och är enklare att hålla kontroll över.
- g) **Använd det elektriska verktyget, dess tillbehör, borrande eller skärande delar etc. enligt dessa instruktioner och på det sätt som det är avsett för. Ta med förutsättningarna och det arbete som ska utföras i beräkningarna.** Att använda ett elektriskt verktyg för andra arbeten än det är avsett för kan resultera i farliga situationer.
- h) **Se till att handtagen är torra, rena och fria från olja och fett.** Hala handtag och greppytor tillåter inte säker hantering och kontroll av verktyget i oväntade situationer.
- 5) Användning och skötsel av batteri och laddare**
- a) **Använd endast den laddare som anges av tillverkaren.** En laddare som passar en typ av batteri kan orsaka brand om den används för ett annat batteri.
- b) **Använd endast elverktyget med ett batteripack som är avsett för verktyget.** Användning av andra batteripack kan medföra risk för skador och brand.
- c) **När du inte använder batteriet ska det förvaras så att inga små metallföremål som t.ex. gem, mynt, spikar, skruvar osv. kan kortslua kontaktarna på batteriet.** Kortslutning av batterikontaktarna kan orsaka brännskador eller brand.
- d) **Under extrema förhållanden kan vätska läcka ut från batteriet; undvik kontakt. Skölj med vatten vid kontakt med kroppsdelar. Uppsök genast en läkare om du får vätska i ögonen.** Vätska från batteriet kan orsaka irritation eller frätskador.
- e) **Använd inte batterier eller verktyg som är skadade eller modifierade.** Skadade eller modifierade batterier kan uppvisa oförutsägbart beteende som kan leda till brand, explosion eller risk för skada.

- f) **Utsätt inte batteri eller verktyg för eld eller överdriven temperatur.** Exponering för brand eller temperatur över 130 °C kan orsaka explosion. OBS! Temperaturen "130 °C" kan ersättas med temperaturen "265 °F".
- g) **Följ alla laddningsanvisningar och ladda inte batteriet eller verktyget utanför det temperaturområde som anges i instruktionerna.** Om du laddar batteriet felaktigt eller vid temperaturer utanför det angivna området kan det skada batteriet och öka risken för brand.
- 6) Service**
- a) **Låt ditt elverktyg servas av en kvalificerad reparatör och enbart med originalreservdelar.** Detta säkerställer att elverktygets säkerhet upprätthålls.
- b) **Utför aldrig service på skadade batterier.** Service av batteri ska endast utföras av tillverkaren eller auktoriserade serviceleverantörer.

SÄRSKILDA SÄKERHETSANVISNINGAR

- Varning! Kompressorn får bara användas i lämpliga utrymmen (med god ventilation och en omgivningstemperatur från 0 °C till +40 °C).
- Utför inga åtgärder på kompressorn utan att först ha lossat kontakten från uttaget.
- Rikta inte vattenstrålar eller strålar med brandfarliga vätskor mot kompressorn.
- Placera inga lättantändliga föremål i närheten av kompressorn.
- Vrid omkopplaren (3) till läget "0" (AV) under uppehållstid.
- Rikta aldrig luftstrålen mot människor eller djur.
- Observera: vissa delar av kompressorn, t.ex. huvudet och genomströmningsrören, kan nå höga temperaturer. Undvik att vidröra dessa delar för att eliminera risken för brännskador.
- Transportera kompressorn genom att lyfta den eller använda de speciella greppen eller handtagen.
- Barn och djur ska hållas långt borta från området där maskinen arbetar.
- Om du använder kompressorn för att spruta färg:
 - a) Arbeta inte i slutna utrymmen eller i närheten av öppna lågor.
 - b) Se till att miljön där du arbetar har särskild ventilation.
 - c) Skydda din mun och näsa med lämplig mask.
- Använd inte kompressorn när den elektriska kablarna eller kontakten är skadad, och be en

auktoriserad serviceverkstad att byta ut den mot en originaldel.

- När kompressorn placeras på en yta högre än golvet, bör den säkras så att den inte faller ner under drift.
- Placera inte föremål eller händer i skyddskåporna för att undvika fysiska skador och skador på kompressorn.
- Använd inte kompressorn som ett trubbigt instrument mot personer, föremål eller djur för att förhindra allvarliga skador.
- Om kompressorn inte längre används, dra alltid ur kontakten ur vägguttaget.
- Se alltid till att tryckluftsslanger används för tryckluft och som kännetecknas av ett maximalt tryck anpassat till kompressorns. Försök inte reparera slangen om den är skadad.

SÄKERHETSINSTRUKTIONER FÖR ARBETE MED LUFTRYCKSPISTOLER

- Kompressorn och slanger kan bli väldigt heta under drift. Att vidröra dem kan resultera i brännskador.
- De gaser eller ångor som sugts in av kompressorintaget måste hållas fria från tillsatser som kan leda till bränder eller explosioner inuti kompressorn.
- När slangkopplingen lossas, håll alltid i slangkopplingen ordentligt för att undvika skador som orsakas av att slangen flyger av.
- Skyddsglasögon ska användas vid arbete med högtryckspistol. Främmande objekt och utblåsta partiklar kan lätt orsaka skador.
- Rikta inte högtryckspistol mot människor eller för rengöring av de kläder du bär.

Elektrisk säkerhet

När du använder elektriska maskiner beakta alltid de gällande säkerhetsbestämmelserna i ditt land för att reducera elfara, elektriska stötar och personskadorna. Läs de följande säkerhetsanvisningarna och också de bifogade säkerhetsanvisningarna.



Kontrollera alltid att strömförsörjningens spänning överensstämmer med spänningen på märkplåten.

Byte av kablar och stickproppar

Kasta omgående gamla kablar eller stickkontakter som har ersatts med nya. Det är farligt att sticka in stickkontakten av en lös kabel i vägguttaget.

Användning av kabelförlängningar

Använd enbart godkända kabelförlängningar passande för maskinens ineffekt. Min. ledarestorlek är 1.5 mm². När du använder kabelrulle linda alltid av rullen helt.

2. MASKININFORMATION

Avsedd användning

Den här utrustningen är avsedd att blåsa luft för rengöringsjobb, uppblåsning av bildäck, cykeldäck, uppblåsbara madrasser, sportbollar etc. i kombination med den medföljande adaptern. Utrustningen är inte lämplig för kontinuerlig drift.

TEKNISKA SPECIFIKATIONER

| Modellnr | CR501AC |
|-------------------|-----------------|
| Spänning | 220-240 V~ |
| Frekvens | 50 Hz |
| Motoreffekt | 1100 W |
| Driftsläge | S3 15% -10 min* |
| Tomgångsvarvtal | 3750/min |
| IP-klass | IP 20 |
| Luftintag | 180 l/min |
| Max. utgångstryck | 8.0 Bar |
| Vikt | 4,9 kg |
| Ljudeffektnivå | 97 dB (A) |

* S3 = intermittent drift utan påverkan av uppstarten. Det innebär att den maximala drifttiden under 10 minuter är 15 % (1,5 min).

BESKRIVNING

Siffrorna i texten hänvisar till diagrammen på sidorna 2-3.

1. Snabbkoppling luftutgång
2. Tillbehörsutrymme
3. Bärhandtag
4. Brytare
5. Elkabel
6. Snabbkoppling
7. Kontakt
8. Tryckluftpistol
9. Tryckmätare
10. Frigöringsventil
11. Avtryckare

12. Förlängningsmunstycke
13. Slang med luftkoppling
14. Luftslang
15. Bollnål
16. Universal adapter liten
17. Ventiladapter
18. Universal adapter
19. Munstyckesadapter för munstyckessats
20. Munstyckessats

3. DRIFT



Endast för hushållsbruk.



Utrustningen vibrerar under drift. Under drift ska den alltid ställas ner bakåt på gum-mifötterna.

Anslutning av enheten till ett uttag (Fig. A)

1. Öppna skyddet och ta ut luftslangen (14) och nödvändiga tillbehör från förvaringsfacket (2).
2. Se till att omkopplaren för PÅ/AV (4) är i läge "0" (avstängd).
3. Anslut elkabeln (5) till ett uttag.



Innan maskinen används, se till att nätspänningen överensstämmer med specifikationerna på typskylten. Långa matningskablar, förlängningar, kabelrullar etc. orsakar spänningsfall och kan hindra motorstart.



Utrustningen vibrerar under drift. Under drift ska den alltid ställas ner bakåt på gum-mifötterna.

Strömbrytare (Fig. A)

- Flytta omkopplaren PÅ/AV (4) till läget "I" för att starta utrustningen.
- Flytta omkopplaren PÅ/AV (4) till läge "0" för att stänga av utrustningen.



Utrustningen är inte lämplig för kontinuerlig drift. För att förhindra att motorn överhettas får utrustningen endast användas enligt följande: Inom en period av 10 minuter får apparaten endast användas under 15 % av perioden, alltså 1,5 minuter. Under resten av perioden (8,5 minuter) måste utrustningen kylas ner igen.

Anslutning av tryckluftpistol (Fig. B1)

- Sätt i kontakten (7) på tryckluftpistolen (8) i snabbkopplingen (6) på luftslangen. Kontakten klickar på plats för att säkra tryckluftpistolen.

Koppla ur tryckluftpistol (Fig. B2)

När snabbkopplingen frigörs ska kopplingen hållas för att skydda dig från skador.

- Dra tillbaka hylsan på snabbkopplingen (6) och avlägsna verktyget.

Användning av tryckluftpistol som utblåspistol (Fig. C)

Tryckluftpistolen (8) kan användas för att blåsa luft för flera rengöringsändamål och för att rensa hårda områden. Avtryckaren (11) på pistolen (8) tillåter exakt dosering av luftvolym.

1. Skruva loss slangen (13) från tryckluftpistolen (8).
2. Byt ut den mot förlängningsmunstycket (12).

Användning av tryckluftpistol för uppblåsning av bildäck (Fig. C & D)

Tryckluftpistolen (8) kan användas för påfyllning av täck, uppblåsbara madrasser etc.

1. Om slangen (13) inte är monterad, anslut den till tryckluftpistolen (8) genom att skruva fast den.
2. Anslut luftkopplingen direkt till en luftventil på föremålet som ska blåsas upp. För att ansluta: tryck på klämman på slangen (13) och tryck in den i ventilen på föremålet.
3. Kontrollera först trycket på föremålet. Läs av trycket på mätaren (9):
 - För högt tryckt, tryck på knappen (10) på vänster sida för att släppa ut luft.
 - För lågt tryck, tryck på avtryckaren (11) för att fylla föremålet till önskat tryck.
4. Kontrollera trycket genom att släppa upp avtryckaren (11) och läs av tryckmätaren (9).
5. Koppla ur pistolen.



Se servicemanualen för din bil för rätt däcktryck.



Tryckmätaren (9) är inte kalibrerad! Efter påfyllning av däck, kontrollera alltid däcktrycket med en kalibrerad enhet, till exempel på en bensinstation.



Risk för personskada! Pumpa inte upp några föremål mer än det avsedda trycket. Bristning kan ske och orsaka person-/ materialskador.

Användning av tryckluftpistol för uppblåsning av andra föremål (Fig. C & D)

Tryckluftpistolen (8) levereras med flera adaptertyper (15-20) för uppblåsning av alla slags föremål. Dessa adapter (15-19) kan anslutas direkt till luftkopplingen (13). För att ansluta, tryck på klämman på kopplingen (13) och fäst den adapter (15-19) du vill använda.

Bollnål (Fig. C)

Bollnålen (15) kan användas för att fylla på bollar. Tryck in nålen (15) i en bollventil och fyll på bollen enligt beskrivningen ovan.

Universal adapter (Fig. C)

De universella adapterna (16,18) underlättar enkel uppblåsning av luftmadrasser, badringar etc. Tryck in en av adapterna (16,18) i ventilen och blås upp enligt beskrivningen ovan.

Ventiladapter (Fig. C)

Ventiladaptern (17) främjar enkel uppblåsning av cykeldäck. Den fungerar bra med „Slave-rand“-ventiler, raceventiler och universella „Dunlop“-ventiler. Tryck in adaptern (17) i en ventil och fyll på enligt beskrivningen ovan.

Munstyckessats (Fig. C)

Munstyckena (20) underlättar enkel uppblåsning av luftmadrasser, badringar etc. Tryck in ett av munstyckena (20) på munstyckesadaptern (19) och blås upp enligt beskrivningen ovan.

4. UNDERHÅLL

Innan rengöring och underhåll ska du alltid stänga av maskinen och dra ut nätkontakten ur vägguttaget.

Rengör maskinen hus regelbundet med en mjuk trasa, helst efter varje gång du använder maskinen. Se till att ventilationsöppningarna är fria från damm och smuts. Ta bort mycket ihållande smuts med en mjuk trasa fuktad med tvållösning. Använd inte lösningsmedel som bensin, alkohol, ammoniak osv. Sådana kemikalier skadar de syntetiska komponenterna.

MILJÖ



Felaktig och/eller kasserad elektrisk eller elektronisk utrustning måste lämnas in på lämpliga återvinningsstationer.

Endast för EU-länder

Släng inte elverktyg i hushållsavfallet. Enligt det europeiska WEEE-direktivet 2012/19/EU för avfall från elektrisk och elektronisk utrustning och dess tillämpning nationellt ska elverktyg som inte längre kan användas samlas in separat och kasseras på ett miljövänligt sätt.

GARANTI

VONROC produkter är utvecklade enligt högsta kvalitetsstandard och garanteras vara utan defekter både vad gäller material och tillverkning under den period som stipuleras enligt lag med början från ursprungligt inköpsdatum. Om något fel uppstår på produkten under denna period på grund av material- och/eller tillverkningsfel skall VONROC kontaktas direkt.

Följande omständigheter exkluderas från denna garanti:

- Reparationer eller ändringar som gjorts eller försökt göras på maskinen av ett icke auktoriserat servicecenter.
- Normalt slitage.
- Verktøget har missbrukats, använts fel eller underhållits på felaktigt sätt.
- Icke-originalreservdelar har använts.

Detta utgör hela garantin från företaget, antingen uttryckt eller underförstått. Det finns inga andra garantier, uttalade eller underförstådda som gäller utöver ordalydelsen härav, häri, inklusive de uttalade garantierna för säljbarhet och lämplighet för ett särskilt syfte. Under inga omständigheter skall VONROC hållas ansvarig för några oförutsedda eller indirekta skador. Återförsäljarens åtgärder skall begränsas till reparation eller byte av felaktiga enheter eller delar.

Med förbehåll för ändringar i produkten och bruksanvisningen. Specifikationer kan ändras utan förvarning.

1. SIKKERHEDSANVISNINGER

Læs de medfølgende sikkerhedsadvarsler, de supplerende sikkerhedsadvarsler og instruktionerne. Såfremt sikkerhedsadvarsler og instruktioner ikke følges, kan dette medfølge elektriske stød, brand og/eller alvorlige ulykker. Gem alle sikkerhedsadvarsler og instruktioner til fremtidig reference.

Følgende symboler anvendes i denne brugermanual eller på produktet:



Læs brugermanualen.



Angiver risiko for personskade, dødsfald eller beskadigelse af værktøjet i tilfælde af manglende overholdelse af anvisningerne i denne vejledning.



Kun til indendørs brug.



Brug høreværn.



Lydtrykkeffekt.



Risiko for elektrisk stød.



Risiko for forbrændinger forårsaget af varme overflader.



Forsigtig! Kompressoren kan starte automatisk i tilfælde af en strømsvigt og efterfølgende nulstilling.



Klasse II-maskine - Dobbeltisoleret - Du har ikke brug for et jordstik.



Kassér ikke produktet i en forkert container.



Produktet overholder de gældende sikkerhedsstandarder i de europæiske direktiver.

GENERELLE SIKKERHEDSFORSKRIFTER



Advarsel! Læs alle sikkerhedsadvarsler og alle anvisninger. Hvis alle nedenstående instruktioner ikke følges, kan det resultere i elektrisk stød, brand og/eller alvorlig personskade.

Gem disse instruktioner.

Udtrykket "elektrisk maskine" i alle advarslerne nedenfor henviser til elektriske maskiner/værktøj/redskaber, der via en ledning tilkobles elnettet eller strømforsynes via batteri (accu).

1) Arbejdsområde

- a) **Arbejdsområdet skal være rent og tilstrækkeligt belyst.** Rodede og mørke arbejdsområder giver større risiko for ulykker.
- b) **Brug ikke elektriske maskiner i eksplosive omgivelser, f.eks. i nærheden af brandfarlige væsker, gasser eller støv.** Elektriske maskiner frembringer gnister, som kan antænde støv eller dampe.
- c) **Hold børn og omkringstående på afstand, når der bruges elektriske maskiner.** Hvis man distraheres, kan man miste kontrollen over den elektriske maskine.

2) Elektrisk sikkerhed

- a) **Stik til elektriske maskiner skal passe til stikkontakten. Der må ikke foretages ændringer af stikket. Brug ikke snydepropper til jordede (jordforbundne) elektriske maskiner.** Originale stik og tilsvarende kontakter mindsker risikoen for elektrisk stød.
- b) **Undgå kropskontakt med jordede eller jordforbundne overflader som f.eks. rør, radiatorer, komfurer og køleskabe.** Der er øget risiko for elektrisk stød, hvis kroppen er jordet eller jordforbundet.
- c) **Elektriske maskiner må ikke udsættes for regn eller våde omgivelser.** Hvis der kommer vand i den elektriske maskine, øges risikoen for elektrisk stød.
- d) **Brug ikke ledningen forkert. Brug ikke ledningen til at bære eller trække maskinen og heller ikke for at tage ledningen ud af stikkontakten. Hold ledningen væk fra stærk varme, olie, skarpe kanter og bevægelige dele.** Beskadigede eller filtrede ledninger øger risikoen for elektrisk stød.
- e) **Når en elektrisk maskine bruges udendørs, skal man bruge en forlængerledning, der er beregnet til udendørs brug.** Hvis der bruges en forlængerledning, der er beregnet til udendørs brug, mindskes risikoen for elektrisk stød.
- f) **Hvis det ikke kan undgås at bruge et maskinværktøj i et fugtigt miljø, bør du anvende en forsyning, der er beskyttet af en fejlstrømsafbryder (RCD).** Brugen af en RCD reducerer risikoen for elektrisk stød.

3) Personlig sikkerhed

- a) **Vær agtpågivende, hold øjnene rette mod det, du laver, og brug almindelig sund fornuft, når du bruger en elektrisk maskine. Brug ikke en elektrisk maskine, hvis du er træt eller er under påvirkning af narkotika, alkohol eller medicin.** Et øjeblik uopmærksomhed under arbejdet med en elektrisk maskine kan resultere i alvorlig personskade.
- b) **Brug personligt sikkerhedsudstyr. Brug altid beskyttelsesbriller.** Sikkerhedsudstyr som støvmaske, skridsikre sko, hjelm eller høreværn, brugt når det er nødvendigt, mindsker risikoen for personskade.
- c) **Undgå utilsigtet start. Sørg for, at der er slukket på afbryderen, før stikket sættes i stikkontakten.** Hvis maskinværktøj bæres med fingeren på kontakten, eller når maskinværktøj strømføres med tændt kontakt, kan der nemt ske ulykker.
- d) **Fjern justeringsnøgler og tænger, før der tændes for den elektriske maskine.** En tang eller nøgle, der sidder på en roterende del af den elektriske maskine, kan resultere i personskade.
- e) **Ræk ikke for langt ud. Stå sikkert på fødderne og vær altid i god balance.** Det giver bedre kontrol over maskinen i uventede situationer.
- f) **Tag passende tøj på. Bær ikke løstsiddende tøj eller smykker. Hold hår, tøj og handsker væk fra bevægelige dele.** Løstsiddende tøj, smykker eller langt hår kan blive grebet af bevægelige dele.
- g) **Hvis der forefindes tilslutning til støvudsugning og -opsamling, skal man sørge for, at udstyret er tilsluttet og bruges.** Brug disse muligheder for at mindske risikoen for støvrelaterede risici.
- h) **Lad ikke kendskab opnået gennem hyppig brug af værktøj lade dig blive tilbagelænet og ignorere værktøjsikkerhedsprincipper.** En skødesløs handling kan forårsage alvorlig personskade inden for en brøkdelt af et sekund.

4) Brug og behandling af elektriske maskiner

- a) **Brug ikke magt på den elektriske maskine. Brug kun den elektriske maskine til det, den er beregnet til.** Den rette elektriske maskine gør arbejdet bedre og mere sikkert ved den effekt, der er foreskrevet.
- b) **Brug ikke den elektriske maskine, hvis afbryderen ikke kan tænde og slukke.** En elektrisk maskine, der ikke kan tændes og slukkes på afbryderen, er farlig og skal repareres.
- c) **Tag stikket ud af stikkontakten før justering, udskiftning af tilbehør, og før den elektriske**

- maskine gemmes væk.** Sådanne forebyggende sikkerhedsforanstaltninger mindsker risikoen for, at den elektriske maskine starter ved et uheld.
- d) **Elektriske maskiner, der ikke bruges, skal opbevares utilgængeligt for børn, og personer, der ikke har kendskab til den elektriske maskine eller disse instruktioner, må ikke bruge den elektriske maskine.** Elektriske maskiner er farlige i hænderne på uøvede personer.
- e) **Elektriske maskiner skal vedligeholdes. Check for forkert justering og fastsiddende bevægelige dele, defekte dele og andre ting, som kan påvirke den elektriske maskines korrekte funktion. Hvis den elektriske maskine er beskadiget, skal den repareres før brug.** Mange ulykker skyldes, at elektriske maskiner er dårligt vedligeholdt.
- f) **Skærende værktøj skal holdes skarpe og rene.** Korrekt vedligeholdt skærende værktøj med skarpe skær kommer ikke så let til at sidde fast og er nemmere at styre.
- g) **Brug den elektriske maskine, tilbehør, tool-bits osv. i henhold til disse instruktioner og på den måde, som denne specielle maskine er beregnet til, idet man skal tage hensyn til arbejdsforholdene og arbejdet, der skal udføres.** Brug af den elektriske maskine til andet, end den er beregnet til, kan resultere i farlige situationer.
- h) **Hold håndtag og gribeblader tørre, rene og fri fra olie og fedtstof.** Glatte håndtag og gribeblader giver ikke mulighed for sikker håndtering og kontrol af værktøjet i uventede situationer.
- 5) Batteriværktøj anvendelse og vedligeholdelse**
- a) **Genoplad kun med oplader som er specificeret af fabrikanten.** En oplader som er anvendelig for en type batteripakning kan forårsage brand, når den anvendes med en anden batteripakning.
- b) **Anvend kun elektroværktøj med særlig egnede batteripakninger.** Anvendelse af enhver anden batteripakning kan give risiko for ulykker og brandfare.
- c) **Når batteripakning ikke anvendes, holdes det altid på afstand af enhver metalgenstand såsom papirklips, mønter, nøgler, søm eller andre små metal genstande der kan lave en forbindelse fra én terminal til en anden.** Ved at kortslutte batteriterminalerne sammen kan forårsage brandfare.
- d) **Under dårlige forhold kan væske udløbe fra batteriet; undgå kontakt med dette. Hvis kontakt alligevel forekommer, skylles der med vand. Hvis væske kommer i øjnene, skal der øjeblikkeligt søges lægehjælp.** Væske som udløber fra batteriet kan forårsage irritationer og forbrændinger.
- e) **Brug ikke en batteripakke eller et værktøj, der er beskadiget eller modificeret.** Beskadigede eller modificerede batterier kan udvise uforudsigelig adfærd, hvilket resulterer i brand, eksplosion eller risiko for personskade.
- f) **Undlad at udsætte en batteripakke eller et værktøj for åben ild eller for høj temperatur.** Udsættelse for åben ild eller temperatur over 130 °C kan forårsage eksplosion. BEMÆRK Temperaturen „130 °C“ kan erstattes af temperaturen „265 °F“.
- g) **Følg alle opladningsinstruktioner, og oplad ikke batteripakken eller værktøjet uden for temperaturintervallet specificeret i instruktionerne.** Forkert opladning eller opladning ved temperaturer uden for det specificerede interval kan beskadige batteriet og øge risikoen for brand.
- 6) Service**
- a) **Få foretaget service på dit maskinværktøj af en kvalificeret reparatør, der kun bruger identiske udskiftningsdele.** Dette sikrer, at maskinværktøjet fortsat er sikkert at bruge.
- b) **Foretag aldrig service på beskadigede batteripakker.** Service af batteripakker bør kun udføres af producenten eller autoriserede serviceudbydere.
- SPECIELLE SIKKERHEDSANVISNINGER**
- Advarsel! Kompressoren må kun bruges i velegnede lokaler (med god ventilation og en omgivelsestemperatur fra 0°C til +40°C).
 - Undlad at udføre handlinger på kompressoren uden først at have taget stikket ud af stikkontakten.
 - Undlad at rette vandstråler eller stråler med brandfarlige væsker mod kompressoren.
 - Undlad at placere brændbare genstande nær kompressoren.
 - Sæt kontakten (3) i positionen "0" (SLUK) under hviletid.
 - Ret aldrig luftstrålen mod mennesker eller dyr.
 - NB: Nogle af kompressorens dele, f.eks. hovedet og gennemføringsrørene, kan nå høje temperaturer. Undlad at røre ved disse dele for at undgå forbrændinger.
 - Transporter kompressoren ved at løfte den eller ved hjælp af de specielle greb eller håndtag.
 - Børn og dyr skal holdes langt væk fra maskinens driftsområde.

- Hvis du bruger kompressoren til at sprøjte maling:
 - a) Undlad at arbejde i lukkede rum eller i nærheden af åben ild.
 - b) Sørg for, at det miljø, du arbejder i, har særlig ventilation.
 - c) Beskyt din næse og mund med en særlig maske.
- Undlad at bruge kompressoren, når det elektriske kabel eller stikket er beskadiget, og bed en autoriseret supporttjeneste om at udskifte dem med en original del.
- Når kompressoren placeres på en overflade, der er højere end gulvet, skal den fastgøres for at forhindre, at den falder ned under drift.
- Undlad at stikke genstande eller dine hænder ind i beskyttelsesdækslerne for at undgå personskade og beskadigelse af kompressoren.
- Brug ikke kompressoren som et stump instrument mod personer, genstande eller dyr for at undgå alvorlig skade.
- Hvis kompressoren ikke længere er i brug, skal du altid trække stikket ud af stikkontakten.
- Sørg altid for, at trykluftslanger bruges til trykluft, og som er kendetegnet ved et maksimalt tryk, der er tilpasset kompressorens tryk. Forsøg ikke at reparere slangen, hvis den er beskadiget.

SIKKERHEDSINSTRUKTIONER TIL ARBEJDE MED TRYKLUFTPISTOLER

- Kompressoren og slangerne kan blive meget varme under drift. Hvis de berøres, kan det forårsage forbrændinger.
- Gasser eller dampe, der suges ind af kompressorindtaget, skal holdes fri for tilsætningsstoffer, der kan føre til brand eller eksplosioner inde i kompressoren.
- Når du fjerner slangekoblingen, skal du altid holde fast i slangekoblingen for at undgå personskade forårsaget af, at slangen flyver af.
- Bær beskyttelsesbriller, når du arbejder med udblæsningspistolen. Fremmedlegemer og udblæste partikler kan let forårsage personskade.
- Undlad at rette udblæsningspistolen mod personer og at bruge den til at rengøre tøj, du har på.

Elektrisk sikkerhed

Når man anvender elektriske maskiner, skal de gældende lokale forskrifter altid følges for at reducere risikoen for brand, elektrisk stød og personskader. Læs sikkerhedsforskrifterne nedenfor.



Kontroller altid, at strømforsyningen svarer til den spænding, der er angivet på typeskiltet.

Udskiftning af kabler og stik

Det er farligt at sætte stikket på et løst kabel i stikkontakten.

Brug af forlængerledninger

Brug kun godkendte forlængerledninger, som passer til maskinens indgangseffekt. Mindste ledertykkelse er 1,5 mm². Hvis der anvendes en kabeltromle, skal kablet altid rulles helt ud.

2. MASKINOPLYSNINGER

Tilsigtet brug

Dette apparat er designet til at blæse luft til rengøringsopgaver, oppumpning af bildæk, cykeldæk, oppustelige madrasser, sportsbolde osv. sammen med den medfølgende adapter. Apparatet er ikke beregnet til kontinuerlig drift.

TEKNISKE SPECIFIKATIONER

| Model nr. | CR501AC |
|-------------------|-----------------|
| Spænding | 220-240 V~ |
| Frekvens | 50 Hz |
| Motoreffekt | 1100 W |
| Driftstilstand | S3 15% -10 min* |
| Tomgangshastighed | 3750/min |
| IP-klasse | IP 20 |
| Luftindtag | 180 l/min |
| Maks. udgangstryk | 8,0 Bar |
| Vægt | 4,9 kg |
| Lydeffektniveau | 97 dB (A) |

* S3 = intermitterende drift uden opstartens påvirkning. Dette betyder, at i løbet af en periode på 10 minutter er den maksimale driftstid 15% (1,5 min).

BESKRIVELSE

Tallene i teksten henviser til diagrammerne på side 2-3.

1. Luftudgang til hurtigkobling
2. Tilbehørsrum
3. Bærehåndtag

4. Kontakt
5. Elektrisk kabel
6. Hurtigkobling
7. Konnektor
8. Luftpistol
9. Manometer
10. Udløserventil
11. Afrækker
12. Forlængerdyse
13. Slange med luftkobling
14. Luftslange
15. Boldnål
16. Universal adapter lille
17. Ventiladapter
18. Universal adapter
19. Dyseadapter til dysesættet
20. Dysesæt

3. BETJENING



Kun til husholdningsbrug.



Apparatet vibrerer under drift. Under drift skal det altid stilles baglæns ned på gummifødderne.

Tilslutning af enheden til en stikkontakt (fig. A)

1. Åbn dækslet og tag luftslangen (14) og påkrævet tilbehør ud af opbevaringsrummet (2).
2. Sørg for, at tænd/sluk-kontakten (4) er i positionen 'O' (sluk).
3. Slut det elektriske kabel (5) til en stikkontakt.



Inden du bruger maskinen, skal du sørge for, at netspændingen er i overensstemmelse med specifikationerne på ydelseskiltet. Lange forsyningskabler, forlængere, kabelruller osv. forårsager et fald i spændingen og kan forhindre motorstart.



Apparatet vibrerer under drift. Under drift skal det altid stilles baglæns ned på gummifødderne.

Tænd/sluk-kontakt (fig. A)

- Flyt tænd/sluk-kontakten (4) til positionen 'I' for at tænde apparatet.
- Flyt tænd/sluk-kontakten (4) til positionen 'O' for at slukke apparatet.



Apparatet er ikke beregnet til kontinuerlig drift. For at forhindre, at motoren overophedes, må apparatet kun bruges på følgende måde: Inden for en periode på 10 minutter må apparatet kun bruges i 15% af perioden, dvs. 1,5 minutter. I resten af perioden (8,5 minutter) skal apparatet afkøles igen.

Tilslutning af luftpistolen (fig. B1)

- Indsæt konnektoren (7) fra luftpistolen (8) i hurtigkoblingen (6) på luftslangen. Når du trykker, klikker konnektoren på plads for at sikre luftpistolen.

Frakobling af luftpistolen (fig. B2)



Når du frigiver hurtigkoblingen, skal du sørge for at holde koblingen for at beskytte dig selv mod personskade på grund af tilbageslagsslangen.

- Træk røret på hurtigkoblingen (6) tilbage og fjern værktøjet.

Brug af luftpistolen som udblæsningspistol (fig. C)

På denne måde kan luftpistolen (8) bruges til at blæse luft til adskillige rengøringsformål og til at rense områder, der er svært tilgængelige. Udløseren (11) på pistolen (8) gør det muligt at dosere luftmængden præcist.

1. Løsn slangen (13) fra luftpistolen (8).
2. Udskift den ved forlængerdyse (12).

Brug af luftpistolen til oppumpning af bildæk (fig. C og D)

På denne måde kan luftpistolen (8) bruges til oppumpning af dæk, oppustelige senge osv.

1. I tilfælde af at slangen (13) ikke er monteret, skal du slutte den til luftpistolen (8) ved at skruue.
2. Slut luftkoblingen direkte til luftventilen på den genstand, der skal pumpes op. For at tilslutte: Tryk på klampen på slangen (13), og tryk den på genstandens ventil.
3. Kontrollér først genstandens tryk. Læs trykket på måleren (9):
 - Tryk for højt: Tryk på knappen (10) på den venstre side for at frigive luft.
 - Tryk for lavt: Tryk på udløseren (11) for at fylde genstanden til det påkrævede tryk.
4. Kontrollér trykket ved at frigive udløseren (11) og læse trykmåleren (9).
5. Frakobl pistolen til oppumpning af dæk.



Kontrollér servicevejledningen til din bil for din bils korrekte dæktryk.



Manometeret (9) er ikke kalibreret! Når du har pumpet dæk op, skal du altid kontrollere dæktrykket med en kalibreret enhed, f. eks. ved en tankstation.



Risiko for personskade! Pump ikke genstande op til mere end det tilsigtede tryk. De kan sprænge og forårsage personskade og/eller materiel skade.

Brug af adapterne til oppumpning af andre genstande (fig. C og D)

Luftpistolen (8) kommer med flere adaptertyper (15-20) til oppumpning af alle slags genstande. Disse adaptere (15-19) kan sluttes direkte til luftkoblingen (13). For at tilslutte skal du trykke på klampen på koblingen (13) og fastgøre den adapter (15-19), du vil bruge.

Boldnål (fig. C)

Boldnålen (15) kan bruges til at pumpe bolde op. Tryk nålen (15) ind i en boldventil og pump bolden op som beskrevet herover.

Universal adapter (fig. C)

De universale adaptere (16,18) gør det let at oppumpe luftmadrasser, svømmebånd osv. Tryk en af adapterne (16,18) på ventilen, og oppump som beskrevet herover.

Ventiladapter (fig. C)

Ventiladapteren (17) gør det let at oppumpe cykeldæk. Og den virker godt med 'Sclaverand'-ventiler, racerventiler og universale 'Dunlop'-ventiler. Tryk adapteren (17) på ventilen og pump op som beskrevet herover.

Dysesæt (fig. C)

Dyserne (20) gør det let at oppumpe luftmadrasser, svømmebånd osv. Tryk en af dyserne (20) på dyseadapteren (19), og oppump som beskrevet herover.

4. VEDLIGEHOLDELSE



Inden rengøring og vedligeholdelse skal maskinen altid slukkes, og netstikket skal tages ud af stikkontakten.

Rengør maskinbeklædningerne regelmæssigt med en blød klud, helst efter hver anvendelse. Sørg for, at der ikke er støv eller snavs i ventilationsåbningerne. Fjern snavs, der sidder meget godt fast, med en blød klud, der er fugtet i sæbevand. Brug ikke opløsningsmidler, som f.eks. benzin, sprit, ammoniak osv. Kemikalier som disse beskadiger de syntetiske komponenter.

MILJØ



Defekte og/eller bortskaffede elektriske og elektroniske apparater skal afleveres på en passende genbrugsstation.

Kun for EU-lande

Smid ikke el-værktøjer ud sammen med almindeligt affald. I henhold til de europæiske direktiver 2012/19/EU for elektrisk og elektronisk udstyr og er implementeret i henhold til nationale rettigheder, el-værktøj som ikke længere er anvendelig skal indsamles separat og genbruges på en miljøvenlig måde.

GARANTI

VONROC produkter er udviklet efter de højeste kvalitetsstandarder og er garanteret fri for mangler i såvel materialer som udførelse i den lovpligtige periode, der starter fra datoen for det oprindelige køb. Skulle produktet udvikle nogen fejl i løbet af denne periode på grund af defekte materialer og/eller fabrikationsfejl, så kontakt VONROC direkte.

De følgende forhold er udelukket fra denne garanti:

- Reparationer og eller rettelser er blevet foretaget eller forsøgt foretaget på maskinen af uautoriserede servicecentre.
- Normal slitage.
- Værktøjet har været misligholdt, misbrugt eller vedligeholdt forkert.
- Ikke originale reservedele er blevet anvendt.

Dette udgør den eneste garanti fra virksomheden enten udtrykt eller underforstået. Der er ingen andre garantier udtrykt eller underforstået, som

strækker sig ud over forsiden heraf, heri, herunder underforståede garantier for salgbarhed og egnethed til et bestemt formål. VONROC vil under ingen omstændigheder være ansvarlig for hændelige skader eller følgeskader. Forhandlernes afhjælpningsmidler vil være begrænsede til reparation eller udskiftning af fejlbehæftede enheder eller dele.

Produktet og brugermanualen kan ændres. Specifikationer kan ændres uden forudgående varsel.

1. INSTRUKCJE DOTYCZĄCE

Przeczytać dołączone ostrzeżenia dotyczące bezpieczeństwa, dodatkowe ostrzeżenia dotyczące bezpieczeństwa oraz instrukcję. Nieprzestrzeganie ostrzeżeń dotyczących bezpieczeństwa oraz instrukcji może prowadzić do porażenia prądem, pożaru i/lub poważnych obrażeń ciała. Zachować ostrzeżenia dotyczące bezpieczeństwa oraz instrukcje na przyszłość.

Następujące symbole są umieszczone w instrukcji obsługi lub na produkcie:



Przeczytać podręcznik użytkownika.



Oznacza ryzyko możliwego urazu, utraty życia bądź uszkodzenia narzędzia w przypadku nie zastosowania się do poleceń w niniejszej instrukcji.



Tylko do użytku wewnątrz pomieszczeń!



Noś nauszники ochronne.



Poziom natężenia dźwięku.



Oznacza ryzyko porażenia prądem elektrycznym.



Ryzyko poparzenia gorącymi powierzchniami.



Działanie kompresora jest w pełni zautomatyzowane. Regulator ciśnienia zatrzyma kompresor, kiedy osiągnięta zostanie wartość maksymalna, a uruchomi ponownie po osiągnięciu wartości minimalnej ciśnienia.



Maszyna klasy II - Podwójna izolacja – Nie trzeba stosować wtyczek z uziemieniem.



Nie wyrzucać urządzenia do nieodpowiednich pojemników.



Urządzenie jest zgodne z odpowiednimi normami bezpieczeństwa zawartymi w dyrektywach europejskich.

OGÓLNE ZALECENIA DOTYCZĄCE BEZPIECZEŃSTWA



UWAGA! Przeczytać wszystkie ostrzeżenia dotyczące bezpieczeństwa i wszystkie instrukcje. Nieprzestrzeganie wszystkich poniższych instrukcji może być przyczyną porażenia prądem, pożaru i/lub poważnych obrażeń.

Zachowaj poniższe instrukcje.

Termin „elektronarzędzia akumulatorowe” we wszystkich ostrzeżeniach zamieszczonych poniżej odnosi się do elektronarzędzi akumulatorowych zasilanych sieciowo (przewodowych) lub elektronarzędzi akumulatorowych działających na baterie (beprzewodowych).

1) Obszar roboczy

- a) **Obszar roboczy należy utrzymywać w czystości.** Powinien on być dobrze oświetlony. Nieład i złe oświetlenie mogą z łatwością doprowadzić do wypadku.
- b) **Nie korzystaj z elektronarzędzi akumulatorowych w warunkach, w których łatwo może dojść do wybuchu, np. w obecności łatwopalnych cieczy, gazów lub pyłu.** Podczas pracy elektronarzędzi akumulatorowych powstają iskry, które mogą doprowadzić do zapłonu pyłu lub oparów.
- c) **Dzieci i inne osoby postronne powinny pozostać w bezpiecznej odległości od pracującego urządzenia.** Rozproszenie uwagi może spowodować utratę kontroli nad urządzeniem.

2) Bezpieczeństwo związane z elektrycznością

- a) **Wtyczki elektronarzędzi akumulatorowych muszą być odpowiednie do danego gniazda. Pod żadnym pozorem nie należy modyfikować wtyczki w jakikolwiek sposób. Nie należy używać adapterów, które uziemiają elektronarzędzia akumulatorowe.** Stosowanie wtyczek nie poddanych modyfikacjom oraz odpowiednich gniazd zmniejsza ryzyko porażenia prądem.
- b) **Należy unikać bezpośredniego kontaktu fizycznego z powierzchniami uziemionymi, takimi jak rury, grzejniki, kuchenki, lodówki.** Ryzyko porażenia prądem jest większe, jeśli ciało osoby obsługującej urządzenie jest uziemione.
- c) **Nie należy wystawiać elektronarzędzi akumulatorowych na działanie deszczu lub wilgoci.**

Dostanie się wody do wnętrza elektronarzędzia akumulatorowego zwiększy ryzyko porażenia prądem.

- d) **Nie należy używać przewodu w niewłaściwy sposób. Pod żadnym pozorem nie należy wykorzystywać przewodu do przenoszenia lub ciągnięcia elektronarzędzia akumulatorowego, ani do jego odłączania od sieci. Przewodu nie należy wystawiać na działanie ciepła, smarów. Powinien on znajdować się w bezpiecznej odległości od ostrych krawędzi i części ruchomych.** Przewody uszkodzone lub poplątane zwiększają ryzyko porażenia prądem.
 - e) **Podczas korzystania z elektronarzędzia akumulatorowego na wolnym powietrzu, należy używać przewodu przedłużacza przystosowanego do użytku na zewnątrz.** Używanie przewodu nadającego się do użytku na wolnym powietrzu zmniejsza ryzyko porażenia prądem.
 - f) **Jeśli obsługa elektronarzędzia w wilgotnym miejscu jest nieunikniona, użyć zasilania wyposażonego w wyłącznik różnicowo-prądowy.** Użycie wyłącznika różnicowo-prądowego zmniejsza ryzyko porażenia prądem.
- #### 3) Bezpieczeństwo osoby obsługującej urządzenie
- a) **Przez cały czas należy mieć się na baczności, uważać na to, co się robi, a w czasie obsługi elektronarzędzia akumulatorowego postępować mając na uwadze zdrowy rozsądek. Urządzenia nie powinny obsługiwać osoby zmęczone lub będące pod wpływem narkotyków, alkoholu lub leków.** Chwila nieuwagi w czasie obsługi elektronarzędzi akumulatorowych może być przyczyną powstania poważnych obrażeń ciała.
 - b) **Należy korzystać ze sprzętu ochronnego oraz zawsze nosić okulary ochronne.** Sprzęt ochronny, jak na przykład maska przeciwpyłowa, antypoślizgowe obuwie ochronne, kask lub słuchawki ochronne używane we właściwych sytuacjach pozwoli na zmniejszenie ryzyka obrażeń ciała.
 - c) **Unikać niezamierzonego uruchomienia. Przed podłączeniem urządzenia do sieci, zawsze sprawdzić, czy przełącznik znajduje się w pozycji „wyłączony”.** Przenoszenie elektronarzędzi z palcem na przełączniku lub włączonych elektronarzędzi z przełącznikiem w położeniu włączenia jest bardzo niebezpieczne i może powodować wypadki.

- d) **Przed włączeniem elektronarzędzia akumulatorowego należy usunąć z niego wszystkie klucze nastawcze lub maszynowe.** Pozostawienie klucza zamocowanego na jednej z części obrotowych urządzenia może spowodować powstanie obrażeń ciała.
- e) **Nie należy sięgać ponad urządzeniem. Przez cały czas należy zachować odpowiednią równowagę i zapewnić odpowiednie oparcie dla stóp.** Pozwoli to na lepsze kontrolowanie urządzenia w nieoczekiwanych sytuacjach.
- f) **Należy nosić odpowiednie ubranie. Do pracy z urządzeniem nie wkładać luźnych ubrań ani biżuterii. Włosy, ubranie i rękawiczki trzymać z dala od części ruchomych.** Luźne części ubrania, biżuteria lub długie włosy mogą zostać wciągnięte przez części ruchome.
- g) **Jeśli w urządzeniu przewidziano elementy służące do odprowadzania i zbierania pyłu, należy sprawdzić, czy są podłączone, i czy działają we właściwy sposób.** Korzystanie z tego typu elementów pozwala ograniczyć ryzyko związane z wydzielaniem pyłu podczas pracy urządzenia.
- h) **Nie zezwalać na to, aby rutyna związana z częstym korzystaniem z narzędzi powodowała nadmierną pewność siebie i ignorowanie zasad bezpiecznego korzystania z narzędzi.** Nieodpowiedzialne działanie może spowodować poważne obrażenia ciała w ułamku sekundy.
- 4) Obsługa i konserwacja elektronarzędzi akumulatorowych**
- a) **Urządzenia nie należy przeciążać. Należy korzystać z narzędzia odpowiedniego do danego typu pracy.** Odpowiednio dobrane urządzenie pozwoli na lepsze i bezpieczniejsze wykonanie pracy, we właściwym dla urządzenia tempie.
- b) **Z elektronarzędzia akumulatorowego nie należy korzystać, jeśli nie można go włączyć i wyłączyć przy pomocy przełącznika.** Urządzenie, którego nie można kontrolować używając przełącznika jest niebezpieczne i powinno być oddane do naprawy.
- c) **Przed przystąpieniem do regulowania elektronarzędzi akumulatorowych, wymiany akcesoriów lub przygotowywania urządzeń do okresu przechowywania, należy odłączyć wtyczkę od źródła zasilania.** Tego typu środki ostrożności zmniejszają ryzyko przypadkowego uruchomienia urządzenia.
- d) **Nieczynne elektronarzędzia akumulatorowe należy przechowywać poza zasięgiem dzieci.**
- Nie należy pozwolić, aby osoby nie znające urządzenia lub niniejszych instrukcji obsługi używały urządzenia.** Elektronarzędzia akumulatorowe w rękach niekompetentnych użytkowników stanowią zagrożenie.
- e) **Elektronarzędzia akumulatorowe należy utrzymywać w dobrym stanie technicznym. Należy sprawdzać, czy części ruchome są właściwie założone, i czy się nie zacinają. Należy również sprawdzać, czy jakieś części nie są uszkodzone oraz sprawdzać wszelkie inne elementy, które mogą wpłynąć na pracę urządzeń. Jeśli urządzenie jest uszkodzone, przed przystąpieniem do jego użytkowania, należy je naprawić.** Często przyczyną wypadków jest zły stan techniczny urządzeń.
- f) **Narzędzia służące do cięcia powinny być naostrzone i utrzymywane w czystości.** Jeśli narzędzia służące do cięcia, które posiadają ostre krawędzie tnące, są właściwie konserwowane, istnieje mniejsze prawdopodobieństwo ich zacinania się. Ponadto, łatwiej je kontrolować.
- g) **Elektronarzędzia akumulatorowego, akcesoriów, nakładek, itp. należy używać zgodnie z niniejszymi instrukcjami oraz w sposób właściwy dla danego rodzaju urządzenia, z u wzięciem pod uwagę warunków pracy oraz jej rodzaju.** Używanie urządzenia niezgodnie z przeznaczeniem może prowadzić do powstania sytuacji niebezpiecznych.
- h) **Uchwyty należy utrzymywać w stanie suchym, czystym i niezabrudzonym olejem lub smarem.** Śliskie uchwyty i powierzchnie do chwytania nie pozwalają na bezpieczne obchodzenie się z narzędziem i panowanie nad nim w nieoczekiwanych sytuacjach.
- 5) Użytkowanie i konserwacja urządzenia zasilanego akumulatorami**
- a) **Ładować tylko przy użyciu ładowarki określonej przez producenta.** Ładowarka przewidziana dla jednego rodzaju akumulatorów stwarza ryzyko pożaru w przypadku użycia jej z innym zestawem akumulatorów.
- b) **Należy używać jedynie akumulatorów przeznaczonych dla danego urządzenia.** Użycie innych akumulatorów stwarza ryzyko wystąpienia obrażeń ciała lub pożaru.
- c) **Kiedy akumulatorki nie są używane, należy przechowywać je z dala od przedmiotów metalowych, takich jak spinacze do papieru, monety, klucze, gwoździe, śruby lub inne niewielkie**

- przedmioty metalowe, które mogłyby spowodować zwarcie pomiędzy stykami.** Zwarcie styków akumulatora może spowodować pożar.
- d) **W przypadku przecięcia z akumulatora może wycieknąć płyn; nie należy go dotykać. W razie przypadkowego kontaktu przemyć skórę wodą. W przypadku dostania się płynu do oczu należy skontaktować się z lekarzem.** Płyn z akumulatora może powodować podrażnienia lub oparzenia.
- e) **Nie używać uszkodzonego ani zmodyfikowanego akumulatora lub narzędzia.** Uszkodzone lub zmodyfikowane akumulatory mogą działać w sposób nieoczekiwany, co może powodować pożar, wybuch lub ryzyko obrażeń ciała.
- f) **Nie wystawiać akumulatora ani narzędzia na działanie płomienia lub zbyt wysokiej temperatury.** Narażenie na działanie płomienia lub temperatury powyżej 130°C może spowodować wybuch. UWAGA Temperaturę „130 °C“ można zastąpić temperaturą „265 °F“.
- g) **Przestrzegać wszystkich instrukcji ładowania i nie ładować akumulatora ani narzędzia poza zakresem temperatury podanym w instrukcji.** Nieprawidłowe ładowanie lub ładowanie w temperaturze poza podanym zakresem może spowodować uszkodzenie akumulatora i zwiększyć ryzyko pożaru.
- 6) Serwis**
- a) **Zlecać serwisowanie elektronarzędzie wykwalifikowanemu technikowi stosującymi jedynie części zamienne identyczne z oryginalnymi.** Zapewni to zachowanie bezpieczeństwa elektronarzędzia.
- b) **Nigdy nie serwisować uszkodzonych akumulatorów.** Serwisowanie akumulatorów może przeprowadzać wyłącznie producent lub autoryzowany serwis.

SZCZEGÓŁOWE ZASADY BEZPIECZEŃSTWA

- Ostrzeżenie! Kompresor można używać wyłącznie w odpowiednich pomieszczeniach (z dobrym przepływem powietrza oraz temperaturą pomieszczenia od 0°C do +40°C).
- Nie dokonywać żadnych prac konserwacyjnych bez wcześniejszego wyjęcia wtyczki z gniazdka.
- Nie należy kierować na kompresor strumieni wody lub płynów łatwopalnych.
- Nie ustawiać przedmiotów łatwopalnych w bezpośrednim sąsiedztwie kompresora.

- Podczas przerw w pracy ustawić regulator (4) ciśnienia w położeniu "0" (OFF = WYŁ.).
- Nigdy nie kierować strumienia powietrza na osoby lub zwierzęta.
- UWAGA: niektóre podzespoły kompresora, takie jak głowica i przewody przepustowe mogą osiągać wysokie temperatury. Dotknięcie tych elementów grozi poparzeniem.
- Do podniesienia kompresora używać specjalnych uchwytów i mocowań.
- Dzieci i zwierzęta nie powinny znajdować się w pobliżu urządzenia w trakcie jego pracy.
- Jeśli kompresor jest wykorzystywany do rozpylania farby:
 - a) nie należy przebywać w zamkniętym pomieszczeniu lub w pobliżu ognia.
 - b) upewnić się, że środowisko pracy jest dobrze wentylowane.
 - c) chronić nos i usta za pomocą maski.
- Nie używać kompresora, gdy uszkodzeniu uległ kabel zasilający lub wtyczka; wymiany uszkodzonego elementu może dokonać jedynie pracownik autoryzowanego serwisu.
- Jeżeli zachodzi konieczność umieszczenia kompresora na podwyższeniu, należy zadbać o to, aby nie spadł na ziemię po rozpoczęciu pracy.
- Nie wkładać żadnych przedmiotów lub rąk pod pokrywę zabezpieczającą – grozi to uszkodzeniem ciała oraz samego kompresora.
- W celu uniknięcia poważnych uszkodzeń nie używać kompresora niezgodnie z jego przeznaczeniem w stosunku do ludzi, zwierząt i przedmiotów.
- Jeśli kompresor nie jest używany przez dłuższy okres czasu, należy wyjąć wtyczkę z gniazdka zasilającego.
- Upewnić się, że przewody przepustowe sprężonego powietrza są wykorzystywane ze sprężonym powietrzem (o czym świadczy maksymalna wartość ciśnienia dostosowana do ciśnienia samego kompresora). Nie naprawiać uszkodzonych przewodów samodzielnie.

WSKAZÓWKI BEZPIECZEŃSTWA DLA PRAC ZE SPRĘŻONYM POWIETRZEM I PISTOLETEM DO PRZEDMUCHIWANIA

- Kompresor i przewody osiągają podczas pracy wysokie temperatury. Dotykание ich prowadzi do poparzeń.
- Zasysane przez kompresor gazy lub opary muszą być wolne od domieszek, ponieważ mogą

one w kompresorze prowadzić do zapalenia lub eksplozji.

- Przy poluzowaniu szybkozłączki należy przytrzymać ręką element sprzęgający węża, aby uniknąć zranień przez podrywający się wąż.
- Przy pracach z pistoletem do przedmuchiwania nosić okulary ochronne. Ciała obce i zdmuchiwane części mogą łatwo spowodować zranienia.
- Nie dmuchać pistoletem do przedmuchiwania na inne osoby i nie czyścić nim założonych ubrań.

Bezpieczeństwo elektryczne

Pod czas wykorzystania urządzenia elektrycznego należy zawsze przestrzegać odpowiednie przepisy bezpieczeństwa, które są ważne w Waszym kraju w celu zmniejszenia ryzyka pożaru, porażenia prądem elektrycznym oraz zranienia personelu.



Zawsze sprawdzać, czy napięcie zasilania jest zgodne z napięciem podanym na tabliczce znamionowej.

Wymiana kabli i wtyczek

Utylizować stare kable lub wtyczki niezwłocznie po ich zastąpieniu nowymi. Włożenie wtyczki niepodłączonego kabla do gniazda sieciowego jest niebezpieczne.

Korzystanie z przedłużaczy

Stosować jedynie atestowane kable przedłużeniowe przystosowane do mocy maszyny. Minimalny rozmiar przewodu to 1,5 mm². Podczas korzystania z kabla w zwoju, zawsze całkowicie rozwinąć zwój.

2. INFORMACJE O MASZYNI

Przeznaczenie

To urządzenie jest przeznaczone do nadmuchu powietrza w celu czyszczenia, pompowania opon samochodowych i rowerowych, dmuchanych materacy, piłek sportowych itp. w połączeniu z dołączonym adapterem. Urządzenie nie jest przeznaczone do ciągłej pracy.

SPECYFIKACJA TECHNICZNA

| Nr modelu | CR501AC |
|---------------|------------|
| Napięcie | 220-240 V~ |
| Częstotliwość | 50 Hz |
| Moc silnika | 1100 W |

| | |
|---------------------------|-----------------|
| Tryb pracy | S3 15% -10 min* |
| Predkosc na biegu jałowym | 3750/min |
| Stopień ochrony | IP 20 |
| Pobór powietrza | 180 l/min |
| Maks. ciśnienie wyjściowe | 8.0 barów |
| Ciezar | 4.9 kg |
| Poziom natężenia dźwięku | 97 dB (A) |

* S3 = praca przerywana bez wpływu rozruchu. Oznacza to, że podczas 10 minut maksymalny czas pracy wynosi 15% (1,5 min).

OPIS

Liczy w tekście odnoszą się do rysunków na stronach 2-3

1. Szybkozłącze wylotu powietrza
2. Komora akcesoriów
3. Rączka do przenoszenia
4. Włęcznik
5. Kabel zasilający
6. Szybkozłącze
7. Złącze
8. Uchwyt pistoletowy
9. Manometr
10. Zawór spustowy
11. Spust
12. Dysza przedłużeniowa
13. Wąż ze złączem powietrznym
14. Przewód powietrzny
15. Igła do piłek
16. Mały adapter uniwersalny
17. Adapter zaworu
18. Adapter uniwersalny
19. Adapter dyszy do zestawu dysz
20. Zestaw dysz

3. OBSŁUGA



Tylko do użytku domowego.



Urządzenie drga podczas pracy. Podczas pracy zawsze stawiać urządzenie na jego gumowych nóżkach.

Podłączanie urządzenia do gniazdka (Fig. A)

1. Otworzyć pokrywę i wyjąć wąż powietrzny (14) i wymagane akcesoria ze schowka (2).

2. Dopilnować, aby włącznik (4) znajdował się w położeniu „0” (wyłączony).
3. Podłączyć kabel zasilający (5) do gniazdka.



Przed użyciem maszyny sprawdzić, czy napięcie sieciowe jest zgodne z parametrami podanymi na tabliczce znamionowej. Długie kable zasilające, przedłużacze, szpule kabli itp. powodują spadek napięcia i mogą utrudniać uruchomienie silnika.



Urządzenie drga podczas pracy. Podczas pracy zawsze stawiać urządzenie na jego gumowych nóżkach.

Włącznik (Fig. A)

- Przewrócić włącznik (4) w położenie „I”, aby włączyć urządzenie.
- Przewrócić włącznik (4) w położenie „0”, aby wyłączyć urządzenie.



Urządzenie nie jest przeznaczone do ciągłej pracy. Aby zapobiec przegrzaniu silnika, urządzenia można używać wyłącznie w następujący sposób: W czasie 10 minut urządzenie może być używane przez 15% tego czasu, czyli 1,5 minuty. Przez pozostały czas (8,5 minuty) urządzenie musi stygnąć.

Podłączanie uchwytu pistoletowego (Fig. B1)

- Podłączyć złącze (7) uchwytu pistoletowego (8) do szybkozłącza (6) węża powietrznego. Po wciśnięciu złącze zatrzaskuje się w odpowiedniej pozycji, mocując uchwyt pistoletowy.

Odłączanie uchwytu pistoletowego (Fig. B2)



Podczas odłączania szybkozłącza konieczne trzymać szybkozłącze, aby chronić się przed zranieniem przez wyskakujący wąż.

- Odciągnąć tuleję szybkozłącza (6) i odłączyć narzędzie.

Korzystanie z uchwytu pistoletowego jako dmuchawy (Fig. C)

W ten sposób uchwytu pistoletowego (8) można używać do dmuchania powietrzem podczas różnorodnego czyszczenia i oczyszczania trudno dostępnych miejsc. Spust (11) na uchwycie pistoletowym (8) pozwala na precyzyjną regulację przepływu powietrza.

1. Odkręcić wąż (13) od uchwytu pistoletowego (8).
2. Zastąpić go dyszą przedłużeniową (12).

Korzystanie z uchwytu pistoletowego do pompowania opon samochodowych (Fig. C & D)

W ten sposób uchwytu pistoletowego (8) można używać do pompowania opon, dmuchanych materacy itp.

1. Jeśli wąż (13) nie jest przymocowany, przykręcić go do uchwytu pistoletowego (8).
2. Podłączyć złącze powietrzne bezpośrednio do zaworu powietrznego przedmiotu do nadmuchiwania. Aby podłączyć: nacisnąć zacisk na węży (13) i wcisnąć go na zawór przedmiotu do nadmuchiwania.
3. Najpierw sprawdzić ciśnienie przedmiotu do nadmuchiwania. Odczytać ciśnienie na ciśnieniomierzu (9):
 - Ciśnienie zbyt wysokie: nacisnąć przycisk (10) znajdujący się z lewej strony, aby zmniejszyć ciśnienie.
 - Ciśnienie zbyt niskie: nacisnąć przycisk spustowy (11), aby napompować aż do osiągnięciażądanego ciśnienia.
4. Sprawdzić ciśnienie na ciśnieniomierzu (9) poprzez zwolnienie przycisku spustowego (11).
5. Odłączyć pistolet do pompowania opon.



Sprawdzić w instrukcji obsługi samochodu właściwe ciśnienie w oponach.



Manometr (9) nie jest skalibrowany! Po nadmuchiowaniu opon zawsze sprawdzić ciśnienie w oponach urządzeniem skalibrowanym, np. na stacji benzynowej.



Ryzyko obrażeń ciała! Nie pompować żadnych przedmiotów powyżej ich zalecanego poziomu ciśnienia. Może dojść do ich pęknięcia i spowodowania obrażeń ciała i/lub uszkodzenia mienia.

Korzystanie z adapterów do pompowania innych przedmiotów (Fig. C & D)

Uchwyt pistoletowy (8) jest dostarczany z kilkoma rodzajami adapterów (15-20) do pompowania różnych przedmiotów. Te adaptery (15-19) można podłączać bezpośrednio do złącza powietrznego (13). Aby podłączyć adapter, nacisnąć zacisk na złączu (13) i podłączyć adapter, którego chce się użyć.

Igła do piłek (Fig. C)

Igła do piłek (15) służy do pompowania piłek. Wcisnąc igłę (15) w zawór piłki i napompować piłkę zgodnie z opisem powyżej.

Adapter uniwersalny (Fig. C)

Adapter uniwersalny (16, 18) ułatwia pompowanie materacy dmuchanych, kół ratunkowych itp. Wcisnąc adapter (16, 18) na zawór i napompować zgodnie z opisem powyżej.

Adapter zaworu (Fig. C)

Adapter zaworu (17) ułatwia pompowanie opon rowerowych. Adapter współpracuje dobrze z zaworami typu 'Sclaverand', zaworami wyścigowymi oraz uniwersalnymi zaworami „Dunlop”. Wcisnąc adapter (17) na zawór i napompować zgodnie z opisem powyżej.

Zestaw dysz (Fig. C)

Dysze (20) ułatwiają pompowanie materacy dmuchanych, kół ratunkowych itp. Wcisnąc jedną z dysz (20) na adapter dyszy (19) i napompować zgodnie z opisem powyżej.

4. KONSERWACJA

Zawsze odłączać narzędzie od zasilania sieciowego przed rozpoczęciem przeprowadzania jakichkolwiek prac konserwacyjnych.

Czyścić obudowę maszyny regularnie miękką ściereczką, najlepiej po każdym użyciu. Dopilnować, aby otwory wentylacyjne były wolne od pyłu, kurzu i zabrudzeń. Usuwać odporne zabrudzenia miękką ściereczką zwilżoną mydlinami. Nie używać żadnych rozpuszczalników, takich jak benzyna, alkohol, amoniak itp. Takie substancje chemiczne spowodują uszkodzenie części z tworzyw sztucznych.

SRODOWISKO

Uszkodzone i/lub niepotrzebne urządzenia elektryczne lub elektroniczne podlegają zbiórce w odpowiednich punktach recyklingu.

Tylko kraje WE

Nie wyrzucać elektronarzędzi wraz z odpadami z gospodarstw domowych. Zgodnie z dyrektywa 2012/19/WE dotycząca zużytych urządzeń elek-

trycznych i elektronicznych oraz jej wdrożeniem do prawodawstwa krajowego, elektronarzędzia, które już nie nadają się do użytku, podlegają oddzielnej zbiórce oraz utylizacji w sposób przyjazny dla środowiska.

GWARANCJA

Produkty VONROC są wytwarzane zgodnie z najwyższymi standardami jakości i producent udziela gwarancji na wady materiałowe i wady wykonania na okres wymagany prawem, licząc od dnia zakupu. Jeśli wystąpi usterka produktu w tym okresie spowodowana wadą materiałową i/lub wadą wykonania, proszę bezpośrednio skontaktować się ze sprzedawcą VONROC.

Następujące okoliczności powodują unieważnienie gwarancji:

- Przeprowadzono naprawy lub modyfikacje narzędzia w serwisie innym lub autoryzowany lub podjęto ich próbę;
- Normalne zużycie nie jest objęte gwarancją;
- Narzędzie było używane niezgodnie z przeznaczeniem, źle z nim się obchodzono lub było nieprawidłowo konserwowane;
- Użyto części zamiennych innych niż oryginalne.

Niniejsza gwarancja to wyłączna gwarancja producenta i nie obowiązują żadne inne wyrażone ani dorozumiane gwarancje. Nie obowiązują żadne inne wyrażone ani dorozumiane gwarancje o zakresie przekraczającym niniejszą gwarancję, co obejmuje dorozumiane gwarancje przydatności do sprzedaży i przydatności do określonego celu. W żadnym przypadku firma VONROC nie ponosi odpowiedzialności za straty przypadkowe lub wynikowe. Zadośćuczynienie sprzedawcy jest ograniczone do naprawy lub wymiany niezgodnych urządzeń lub części.

Produkt i instrukcja obsługi podlegają zmianom. Dane techniczne podlegają zmianom bez uprzedzenia.

1. INSTRUCȚIUNI DE SIGURANȚĂ

Citiți avertizările de siguranță, avertizările de siguranță suplimentare și instrucțiunile. Nerespectarea avertizărilor de siguranță poate cauza producerea de electrocutări, incendii și/sau răni grave. Păstrați avertizările de siguranță și instrucțiunile pentru referințe viitoare.

În manualul de utilizare sau pe produs se utilizează următoarele simboluri:



Citiți manualul de utilizare.



Indică riscul de rănire personală, pierderea vieții sau deteriorarea sculei în cazul în care nu se respectă instrucțiunile din acest manual.



Destinat utilizării în interior.



Purtați protecții antifonice.



Nivelul puterii sonore.



Pericol de electrocutare.



Pericol de arsuri cauzate de suprafețe fierbinți.



Atenție: compresorul ar putea porni automat în caz de oprire și resetare ulterioară.



Mașină clasa II - Izolație dublă - Nu aveți nevoie de nicio priză de împământare.



Nu scoateți din uz produsul în containere neadekvate.



Produsul este în conformitate cu standardele de siguranță aplicabile din directivele europene.

REGULI GENERALE DE PROTECȚIA MUNCII



AVERTISMENT! Citiți toate avertizările de siguranță și toate instrucțiunile. Respectarea tuturor instrucțiunilor prezentate în cele ce urmează este obligatorie pentru evitarea riscurilor de electrocutare, incendiu și/sau de vătămări grave.

Păstrați aceste instrucțiuni.

Termenul "sculă electrică" ce apare în toate avertismentele de mai jos se referă la scula electrică alimentată la priză (prin cablu de alimentare) sau la scula electrică alimentată prin acumulatori (fără cablu de alimentare).

1) Spațiul de lucru

- a) **Mențineți spațiul de lucru curat și bine iluminat.** Spațiile de lucru dezordonate și întunecate predispun la accidente.
- b) **Nu utilizați sculele electrice în medii explozive, ca de exemplu în prezența unor materiale inflamabile cum ar fi lichide, gaze sau praf.** Sculele electrice produc scânteii, care pot aprinde praful sau vaporii.
- c) **În timpul lucrului cu o sculă electrică, nu lăsați copiii sau privitorii să se apropie.** Micșorarea atenției vă poate face să pierdeți controlul.

2) Securitatea din punct de vedere electric

- a) **Ștecherile sculelor electrice trebuie să se potrivească în priza de alimentare. Nu modificați ștecherul niciodată și în nici un fel. Nu folosiți ștechere de adaptare pentru sculele electrice cu legare la pământ (împământate).** Ștecherile nemodificate și prizele de alimentare corespunzătoare vor reduce riscul de electrocutare.
- b) **Evitați contactul corporal cu suprafețele împământate, cum ar fi conducte, radiatoare, plite sau frigider.** Există un risc sporit de electrocutare în cazul în care corpul dumneavoastră este legat la pământ.
- c) **Nu expuneți sculele electrice la ploaie sau la umezeală.** În urma intrării apei într-o sculă electrică va crește riscul de electrocutare.
- d) **Nu forțați cablul de alimentare. Nu folosiți niciodată cablul de alimentare pentru transportul, tragerea sau scoaterea din priză a sculei electrice. Țineți cablul de alimentare departe de sursele de căldură, petrol, vârfuri ascuțite sau de piese în mișcare.** Cablurile de alimentare deteriorate sau încălcite duc la creșterea riscului de electrocutare.

- e) **Atunci când folosiți o sculă electrică în exterior, utilizați un prelungitor corespunzător lucrului în exterior.** Utilizarea unui prelungitor corespunzător lucrului în exterior reduce riscul de electrocutare.
- f) **În cazul în care operarea unei unelte electrice într-un spațiu cu umiditate nu poate fi evitată, utilizați o alimentare cu dispozitiv de protecție la curent rezidual (RCD).** Utilizarea unui dispozitiv RCD reduce riscul electrocutării.
- 3) Securitatea personală**
- a) **Atunci când folosiți o sculă electrică fiți concentrat, fiți atent la ceea ce faceți și acționați conform bunului simț. Nu folosiți o sculă electrică atunci când sunteți sub influența drogurilor, alcoolului sau a medicamentelor.** Un moment de neatenție în timpul utilizării sculelor electrice poate duce la vătămări personale grave.
- b) **Utilizați echipamentul de protecție corporală. Folosiți întotdeauna ochelari de protecție.** Folosirea echipamentelor de protecție conform condițiilor de lucru, ca de exemplu măști de praf, încălțăminte de protecție anti-alunecare, căști de protecție sau antifoane va reduce vătămrile personale.
- c) **Evitați pornirea accidentală. Înainte de a introduce scula electrică în priza de alimentare, asigurați-vă că aveți comutatorul de acționare în poziția oPRIT (off).** Transportarea uneltelor electrice ținând degetul pe întrerupător sau alimentarea cu tensiune a uneltelor electrice ce au întrerupătorul în poziția pornit înlesnesc producerea.
- d) **Înainte de a pune în funcțiune scula electrică, îndepărtați toate penele sau cheile de reglare. O cheie sau o pană care au fost lăsate atașate de o parte rotativă a sculei electrice poate duce la vătămări personale.**
- e) **Nu vă întindeți pentru a ajunge la punctul de lucru.** Mențineți permanent un contact ferm al piciorului și un echilibru stabil. În acest fel puteți controla mai bine scula electrică în situații neprevăzute.
- f) **Îmbrăcați-vă în mod adecvat. Nu purtați haine largi sau bijuterii. Părul, hainele și mănușile trebuie menținute departe de părțile în mișcare.** Hainele largi, părul și bijuteriile pot fi agățate și prinse de părțile în mișcare.
- g) **Dacă dispozitivele sunt construite pentru a fi conectate la echipamente de extragere și colectare a prafului, asigurați-vă că aceste echipamente sunt conectate și funcționează corect.**
- Folosirea unor astfel de echipamente poate reduce pericolele legate de praf.
- h) **Nu lăsați ca obișnuința obținută prin utilizarea frecventă a uneltelor să vă permită să deveniți impasibil și să ignorați principiile de siguranță în utilizarea uneltelor.** O acțiune neglijentă poate provoca accidente grave într-o fracțiune de secundă.
- 4) Utilizarea și întreținerea sculei electrice**
- a) **Nu forțați scula electrică. Folosiți scula electrică adecvată operațiunii care trebuie efectuată.** O sculă electrică adecvată își va efectua mai bine și mai în siguranță sarcina deoarece este folosită la parametrii pentru care a fost proiectată.
- b) **Nu folosiți scula electrică în cazul în care comutatorul de acționare nu realizează pornirea și oprirea acesteia.** Orice sculă electrică ce nu poate fi comandată cu ajutorul comutatorului de acționare este periculoasă și trebuie reparată.
- c) **Înainte de a efectua orice fel de reglaje, schimbări ale accesoriilor sau pe perioada depozitării sculelor electrice deconectați ștecherul de la sursa de energie electrică.** Astfel de măsuri preventive reduc riscul de pornire accidentală a sculei electrice.
- d) **Nu depozitați sculele electrice neutilizate la îndemâna copiilor și nu permiteți persoanelor care nu sunt familiare cu sculele electrice sau cu prezentele instrucțiuni să le utilizeze.** Sculele electrice sunt periculoase atunci când sunt utilizate de către persoane neinstruite.
- e) **Întrețineți sculele electrice. Verificați alinierea sau prinderea părților în mișcare, verificați componentele sculei pentru a vă asigura că nu sunt sparte și, de asemenea, verificați orice alte situații care ar putea afecta funcționarea sculei electrice. Dacă scula electrică se defectează, reparați-o înainte de a o refolosi.** Sculele electrice întreținute necorespunzător duc la producerea multor accidente.
- f) **Mențineți sculele așchietoare ascuțite și curate.** Sculele așchietoare întreținute corespunzător, având muchiile tăietoare ascuțite, se înțepenesc mai greu și sunt mai ușor de controlat.
- g) **Utilizați sculele electrice, accesoriile și burghiile etc., în conformitate cu prezentele instrucțiuni și în mod corespunzător tipului de sculă electrică utilizat, ținând seama de condițiile de lucru și de sarcina care trebuie efectuată.** Utilizarea unor scule electrice pentru operații diferite de cele pentru care acestea au fost proiectate poate duce la situații periculoase.

- h) **Țineți mânerele și suprafețele de prindere uscate, curate și lipsite de ulei și unsoare.** Mânere și suprafețele de prindere alunecoase nu permit manipularea și controlul uneltei în de siguranță în situații neașteptate.
- 5) Utilizarea și întreținerea uneltei cu acumulator**
- a) **Încărcați din nou numai cu încărcătorul specificat de producătorul.** Încărcătorul potrivit cu un tip de acumulator poate crea riscul incendiului dacă este utilizat cu un alt acumulator.
- b) **Folosiți instrumentele electrice numai cu acumulator proiectate specific.** Utilizarea oricăror alte acumulatori pot crea riscul accidentului personal și al incendiului.
- c) **În timp ce acumulatorul nu este utilizat, feriți-l de alte obiecte metalice cum ar fi cleme de birou, monede, chei, cuie, șuruburi ori alte obiecte metalice mărunte care ar putea crea conexiunea de la un terminal până la celălalt.** Scurtcircuitarea terminalelor bateriei poate cauza arsuri sau incendiu.
- d) **Ca urmare a folosirii necorespunzătoare, din acumulator se poate scurge lichid. Evitați contactul cu acesta. În caz de contact accidental, clătiți cu apă. Dacă lichidul intră în contact cu ochi, pe lângă măsurile amintite consultați și un medic.** Lichidul care se scurge din acumulator poate provoca iritarea pielii sau arsuri.
- e) **Nu folosiți un acumulator sau o unealtă care este deteriorată sau modificată.** Acumulatorii deteriorați sau modificați pot avea un comportament imprevizibil care rezultă în foc, explozie sau risc de rănire.
- f) **Nu expuneți acumulatorul sau unealta la foc sau temperatură excesivă.** Expunerea la foc sau temperaturi de peste 130 °C poate provoca explozie. **OBSERVAȚIE** Temperatura „130 °C” poate fi înlocuită cu temperatura „265 °F”.
- g) **Respectați toate instrucțiunile de încărcare și nu încărcați acumulatorul sau unealta în afara intervalul de temperatură specificat în instrucțiuni.** Încărcarea necorespunzătoare sau la temperaturi în afara domeniului specificat poate deteriora acumulatorul și poate crește riscul de incendiu.
- 6) Service**
- a) **Prevedeți repararea uneltei de lucru de către o persoană calificată, folosind exclusiv piese de schimb identice.** Astfel, vă asigurați că este păstrată siguranța uneltei electrice.

- b) **Niciodată nu servișați acumulatorii deteriorați.** Servisarea acumulatorilor ar trebui să fie efectuată numai de către producător sau furnizorii autorizați de service.

INSTRUCȚIUNI SPECIALE PRIVIND SIGURANȚA

- Avertisment! Compresorul poate fi utilizat numai în încăperi adecvate (cu o ventilație bună și o temperatură ambientală de la 0°C la 40°C).
- Nu efectuați nicio acțiune asupra compresorului fără a scoate ștecherul din priză.
- Nu îndreptați jeturile de apă sau jeturile de lichide inflamabile către compresor.
- Nu amplasați obiecte inflamabile lângă compresor.
- Duceți comutatorul (3) în poziția „0” (OPRIT) în timpul perioadei de oprire.
- Nu îndreptați niciodată jetul de aer către persoane sau animale.
- Notă: unele părți ale compresorului, cum ar fi capul și conductele de alimentare, pot atinge temperaturi ridicate. Nu atingeți aceste părți pentru a evita arsurile.
- Transportați compresorul ridicându-l sau folosind mânerele sau prinderile speciale.
- Copiii și animalele trebuie ținute departe de zona de funcționare a mașinii.
- Dacă folosiți compresorul pentru pulverizarea vopselei:
 - a) Nu lucrați în spații închise sau lângă flăcări goale.
 - b) Asigurați-vă că mediul în care veți lucra are o ventilație asigurată.
 - c) Protejați-vă nasul și gura cu o mască dedicată.
- Nu utilizați compresorul atunci când cablul electric sau ștecherul sunt deteriorate și instruiți un service de asistență autorizat să le înlocuiască cu o piesă originală.
- Când compresorul este așezat pe o suprafață mai înaltă decât podeaua, acesta trebuie fixat pentru a-i preveni căderea în timpul funcționării.
- Nu puneți obiecte sau mâinile în capacele de protecție pentru a evita deteriorarea fizică și defectarea compresorului.
- Nu folosiți compresorul ca obiect contondent pentru a lovi persoane, obiecte sau animale pentru a preveni defectarea gravă.
- Dacă compresorul nu mai este utilizat, scoateți întotdeauna ștecherul din priză.
- Asigurați-vă întotdeauna că furtunurile de aer comprimat sunt utilizate pentru aerul comprimat

și au presiune maximă ajustată la cea a compresorului. Nu încercați să reparați furtunul în cazul în care acesta este deteriorat.

INSTRUCȚIUNI DE SIGURANȚĂ PENTRU UTILIZAREA PISTOALELOR CU AER COMPRIMAT

- Compresorul și furtunurile se pot încălzi foarte mult în timpul funcționării. Atingerea acestora poate provoca arsuri.
- Gazele sau vaporii absorbiți prin partea de admisie a compresorului trebuie să fie păstrate libere de amestecuri care ar putea duce la incendii sau explozii în interiorul compresorului.
- Când scoateți cuplajul furtunului, țineți-l întotdeauna ferm pentru a evita rănirea cauzată de expulzarea furtunului.
- Când lucrați cu pistolul de suflare, purtați ochelari de protecție. Corpurile străine și particulele suflate pot provoca răni.
- Nu îndreptați pistolul de suflare spre oameni și nu îl folosiți pentru a curăța hainele pe care le purtați.

Securitate electrică

Folosind mașini electrice, întotdeauna respectați regulamentele de protecție valabile în țara dvs. pentru a reduce riscul incendiului, electrocutării și accidentelor personale. Citiți următoarele instrucțiuni de securitate și de asemenea instrucțiunile de securitate atașate.



Întotdeauna controlați dacă voltajul rețelei de alimentare corespunde cu voltajul indicat pe plăci cu valori.

Înlocuirea cablurilor sau fișelor

Aruncați cablurile sau fișele imediat după ce le ați înlocuit cu cele noi. Este periculos să puneți ștecher unui cablu necunoscut în priză de perete.

Utilizarea cablurilor de prelungire

Utilizați numai cablu aprobat și potrivit pentru puterea absorbită a mașinii. Conductorul trebuie să fie minim de 1,5 mm². Dacă folosiți cablul înfășurat, întotdeauna îl desfășurați complet.

2. INFORMAȚII CU PRIVIRE LA MAȘINA

Domeniul de utilizare

Acest aparat este conceput pentru suflarea aerului pentru lucrările de curățare, umflarea anvelopelor auto, a anvelopelor pentru biciclete, a saltelelor gonflabile, a mingilor etc., împreună cu adaptorul furnizat. Acest aparat nu este potrivit pentru funcționare continuă.

SPECIFICAȚII TEHNICE

| Nr. model | CR501AC |
|--------------------------|-----------------|
| Tensiune | 220-240 V~ |
| Frecvență | 50 Hz |
| Puterea motorului | 1100 W |
| Mod de operare | S3 15% -10 min* |
| Turație la mers în gol | 3750/min |
| Clasa IP | IP 20 |
| Admisie aer | 180 l/min |
| Presiunea max. de ieșire | 8.0 Bar |
| Greutate | 4.9 kg |
| Nivelul de putere sonoră | 97 dB (A) |

* S3 = funcționare intermitentă fără impactul pornirii. Aceasta înseamnă că pe o perioadă de 10 minute, timpul maxim de funcționare este de 15% (1,5 minute).

DESCRIERE

Numerale din text se referă la diagramele de la paginile 2-3.

1. Cuplor rapid pentru ieșirea de aer
2. Compartiment pentru accesorii
3. Mâner de transport
4. Comutator
5. Cablu electric
6. Cuplaj rapid
7. Racord
8. Pistol cu aer
9. Manometru
10. Supapă de descărcare
11. Declanșator
12. Duza de extensie
13. Furtun cu cuplor de aer
14. Furtun de aer

15. Ac pentru mingi
16. Adaptor universal mic
17. Adaptor supapă
18. Adaptor universal
19. Adaptor de duze pentru setul de duze
20. Set de duze

3. OPERAREA



Numai pentru uz casnic.



Aparatul produce vibrații în timpul funcționării. În timpul funcționării, așezați-l întotdeauna pe picioarele de cauciuc.

Conectarea dispozitivului la o priză (Fig. A)

1. Deschideți capacul și scoateți furtunul de aer (14) și accesoriile necesare din compartimentul de depozitare (2).
2. Asigurați-vă că comutatorul PORNIT/OPRIT (4) este în poziția „0” (oprit).
3. Conectați cablul electric (5) la o priză.



Înainte de a utiliza mașina, asigurați-vă că tensiunea de rețea este conformă cu specificațiile de pe plăcuța cu date tehnice. Cablurile de alimentare lungi, extensiile, bobinele de cablu etc. determină o scădere a tensiunii și pot împiedica pornirea motorului.



Aparatul produce vibrații în timpul funcționării. În timpul funcționării, așezați-l întotdeauna pe picioarele de cauciuc.

Comutator de pornire/oprire (Fig. A)

- Deplașați comutatorul PORNIRE/OPRIRE (4) în poziția „I” pentru a porni aparatul.
- Deplașați comutatorul PORNIRE/OPRIRE (4) în poziția „0” pentru a opri aparatul.



Acest aparat nu este potrivit pentru funcționare continuă. Pentru a preveni supraîncălzirea motorului, aparatul poate fi utilizat numai după cum urmează: Într-o perioadă de 10 minute, aparatul poate fi utilizat doar 15% din perioadă, deci 1,5 minute. În restul perioadei (8,5 minute) aparatul trebuie lăsat să se răcească.

Conectarea pistolului cu aer (Fig. B1)

- Introduceți conectorul (7) al pistolului de aer (8) în cuplorul rapid (6) de pe furtunul de aer. Când apăsați, conectorul se fixează în poziție pentru a fixa pistolul de aer.

Deconectarea pistolului de aer (Fig. B2)



Când eliberați cuplorul rapid, asigurați-vă că țineți cuplorul pentru a vă proteja de rănile cauzate de furtunul de recuperare.

- Trageți înapoi manșonul cuplorului rapid (6) și scoateți unealta.

Folosirea pistolului cu aer ca pistol de suflare (Fig. C)

În acest fel, pistolul de aer (8) poate fi utilizat pentru suflarea aerului în mai multe scopuri de curățare și pentru a curăța zonele dificile. Declanșatorul (11) de pe pistol (8) permite dozarea exactă a volumului de aer.

1. Deșurubați furtunul (13) de la pistolul cu aer (8).
2. Înlocuiți-l cu duza de extensie (12).

Utilizarea pistolului de aer pentru umflarea anvelopelor auto (Fig. C și D)

În acest fel, pistolul de aer (8) poate fi utilizat pentru umflarea anvelopelor, a saltelelor etc.

1. În cazul în care furtunul (13) nu este asamblat, conectați-l la pistolul de aer (8) prin înșurubare.
2. Conectați cuplorul de aer direct la o supapă de aer a obiectului de umflat. Pentru conectare: apăsați clema pe furtun (13) și împingeți-o pe supapa obiectului.
3. Mai întâi verificați presiunea obiectului. Citiți presiunea de pe manometru (9):
 - Presiune prea mare: apăsați butonul (10) din partea stângă pentru a elibera aerul.
 - Presiune prea mică: apăsați pe declanșator (11) pentru a umfla obiectul până la presiunea necesară.
4. Verificați presiunea eliberând declanșatorul (11) și citiți manometrul (9).
5. Deconectați pistolul de umflare a anvelopei.



Verificați manualul de service al mașinii pentru a verifica presiunea corectă a anvelopelor.



Manometrul (9) nu este calibrat! După umflarea anvelopelor verificați întotdeauna presiunea anvelopelor cu un dispozitiv calibrat, de exemplu la o benzinărie.



Pericol de accidentare! Nu umflați obiecte cu o presiune mai mare decât cea specificată. Acestea pot exploda și pot provoca răni și/sau pagube materiale.

Utilizarea adaptoarelor pentru umflarea altor articole (Fig. C și D)

Pistolul de aer (8) vine cu mai multe tipuri de adaptoare (15-20) pentru umflarea a tot felul de obiecte. Aceste adaptoare (15-19) pot fi conectate direct la cuplorul de aer (13). Pentru conectare, apăsați clema de pe cuplul (13) și atașați adaptorul (15-19) pe care doriți să îl utilizați.

Acul pentru mingi (Fig. C)

Acul pentru mingi (15) poate fi folosit pentru a umfla mingi. Împingeți acul (15) într-o supapă de minge și umflați mingea conform descrierii de mai sus.

Adaptor universal (Fig. C)

Adaptoarele universale (16,18) facilitează umflarea ușoară a saltelelor de aer, a colacilor de înot etc. Împingeți unul dintre adaptoare (16,18) în supapă și umflați așa cum este descris mai sus.

Adaptor supapă (Fig. C)

Adaptorul de supapă (17) facilitează umflarea ușoară a anvelopelor de bicicletă. Și funcționează bine cu supapele „Sclaverand”, supapele de curse și supapele universale „Dunlop”. Împingeți adaptorul (17) în supapă și umflați așa cum este descris mai sus.

Set duze (Fig. C)

Duzele (20) facilitează umflarea saltelelor de aer, a colacilor de înot etc. Împingeți una dintre duze (20) în adaptorul de duză (19) și umflați așa cum este descris mai sus.

4. ÎNTREȚINERE



Înainte de curățare și întreținere, opriți alimentarea electrică a mașinii și deconectați fișa cablului de alimentare de la priza de rețea.

Curățați regulat carcasa cu o cârpă moale, de preferat după fiecare utilizare. Curățați fanțele de aerisire de praf și murdărie. Îndepărtați murdăria persistentă cu o cârpă moale înmuiată în clăbuci de săpun. Nu folosiți solvenți precum benzină, alcool, amoniac, etc. Astfel de substanțe chimice vor deteriora componentele sintetice.

MEDIU



Aparatele electrice sau electronice deteriorate și/sau defecte trebuie colectate în locurile de reciclare corespunzătoare.

Numai pentru țările din CE

Nu aruncați echipamentele acționate electric împreună cu gunoiul menajer. Conform Indicației europene 2012/19/EU pentru echipamente electrice și electronice uzate și a implementării sale la nivel național, echipamentele acționate electric scoase din uz trebuie colectate separat și evacuate într-o manieră ecologică.

GARANȚIE

Produsele VONROC sunt realizate la cele mai înalte standarde de calitate și sunt garantate în privința materialelor și a manoperei pentru întreaga perioadă de utilizare în garanție, începând cu data achiziției. În cazul în care produsul se defectează în timpul perioadei de utilizare, contactați direct VONROC.

Următoarele circumstanțe sunt excluse de la această garanție:

- Reparațiile sau modificările care realizate sau care s-au încercat a fi efectuate de centre de service neautorizate.
- Uzura în condiții normale.
- Unealta care a fost abuzată, utilizată într-un mod neglijent sau întreținută în mod inadecvat.
- Folosirea unor piese de schimb neoriginale.

Aceasta acoperă garanția companiei, explicită sau implicită. Nu există alte garanții explicite sau implicite care să se extindă dincolo de cele indicate aici, incluzând garanțiile, vandabilitatea sau adecvarea pentru un anumit scop. În nicio situație, VONROC nu este responsabil pentru daunele incidentale sau consecvențiale. Reparațiile efectuate de reprezentant trebuie să fie limitate la reparațiile sau la înlocuirea unităților sau a pieselor neconforme.

Produsul și manualul de utilizare pot suferi modificări. Specificațiile se pot modifica fără notificare prealabilă.

1. INSTRUÇÕES DE SEGURANÇA

Leia os avisos de segurança fornecidos, os avisos de segurança adicionais e as instruções. O não cumprimento dos avisos de segurança e das instruções pode resultar em choque eléctrico, incêndio e/ou ferimentos graves. Guarde os avisos de segurança e as instruções para referência futura.

Os seguintes símbolos são utilizados no manual do utilizador ou no produto:



Leia o manual do utilizador.



Indica o risco de ferimentos, morte ou danos na ferramenta se as instruções indicadas neste manual não forem seguidas.



Apenas para utilização no interior.



Use protecção auricular.



Nível de potência sonora.



Risco de choque eléctrico.



Risco de queimaduras causadas por superfícies quentes.



Atenção: o compressor pode ser ligado automaticamente no caso de corte de energia e subsequente reposição.



Máquina de classe II - Isolamento duplo - Não é necessário uma ficha com ligação à terra.



Não elimine o produto em recipientes não adequados.



O produto está em conformidade com as normas de segurança aplicáveis nas directivas europeias.

AVISOS GERAIS DE SEGURANÇA SOBRE A FERRAMENTA ELÉCTRICA



AVISO! Leia todos os avisos de segurança e instruções. O não cumprimento dos avisos de segurança e as instruções podem resultar em choque eléctrico, incêndio e/ou ferimentos graves.

Guarde todos os avisos e instruções para referência futura.

O termo “ferramenta eléctrica” indicado nos avisos diz respeito à ferramenta eléctrica com alimentação pela rede (com fio) ou por bateria (sem fio).

1) Segurança da área de trabalho

- a) **Mantenha a área de trabalho limpa e devidamente iluminada.** As áreas obstruídas ou escuras são propícias a acidentes.
- b) **Não utilize ferramentas eléctricas em atmosferas explosivas, por exemplo, na presença de líquidos inflamáveis, gases ou poeiras.** As ferramentas eléctricas produzem faíscas que podem causar ignição de poeiras ou vapores.
- c) **Quando utilizar uma ferramenta eléctrica, mantenha as crianças e transeuntes afastados.** As distrações podem causar perda de controlo.

2) Segurança eléctrica

- a) **As fichas da ferramenta eléctrica devem corresponder à tomada. Nunca modifique, de forma alguma, a ficha. Não utilize quaisquer fichas adaptadoras com ferramentas eléctricas ligadas à terra (massa).** As fichas e tomadas correspondentes não modificadas reduzem o risco de choque eléctrico.
- b) **Evite o contacto do corpo com superfícies ligadas à terra ou massa, como tubos, radiadores, fogões ou frigoríficos.** Há um maior risco de choque eléctrico se o corpo estiver ligado à terra ou à massa.
- c) **Não exponha as ferramentas eléctricas à chuva ou a ambientes húmidos.** A entrada de água numa ferramenta eléctrica aumenta o risco de choque eléctrico.
- d) **Não utilize o cabo de maneira abusiva. Nunca utilize o cabo para transportar, puxar ou desligar a ferramenta eléctrica. Mantenha o cabo afastado de fontes de calor, óleo, extremidades afiadas ou peças móveis.** Cabos danificados ou enrolados aumenta o risco de choque eléctrico.
- e) **Quando utilizar uma ferramenta eléctrica no exterior, opte por uma extensão adequada para utilização no exterior.** A utilização de um cabo adequado para utilização no exterior reduz o risco de choque eléctrico.
- f) **Se não for possível evitar trabalhar com uma ferramenta eléctrica num local húmido, utilize uma fonte de alimentação protegida por um dispositivo de corrente residual (DCR).** A uti-

lização de um DCR reduz o risco de choque eléctrico.

3) Segurança eléctrica

- a) **Esteja atento, preste atenção ao que está a fazer e tenha senso comum quando utilizar uma ferramenta eléctrica. Não utilize uma ferramenta eléctrica quando estiver cansado ou sob o efeito de drogas, álcool ou medicamentos.** Um momento de distração durante a utilização de ferramentas eléctricas pode resultar em ferimentos graves.
- b) **Use equipamento de protecção individual. Use sempre protecção ocular.** O equipamento de protecção, como, por exemplo, máscara de poeiras, sapatos de segurança antiderrapantes, capacete de segurança ou protecção auditiva, utilizado nas condições adequadas, reduz o risco de ferimentos.
- c) **Evite accionamentos acidentais. Assegure-se de que o gatilho está desligado antes de ligar a ferramenta à corrente eléctrica e/ou as baterias e antes de levantar ou transportar a ferramenta.** O transporte de ferramentas eléctricas com o dedo colocado no interruptor ou a ligação à corrente das ferramentas eléctricas com o interruptor ligado pode dar origem a acidentes.
- d) **Retire eventuais chaves de ajuste ou chaves de fendas antes de ligar a ferramenta eléctrica.** Uma chave de fenda ou de ajuste montada numa peça rotativa da ferramenta eléctrica pode causar ferimentos.
- e) **Não tente chegar a pontos fora do alcance. Mantenha-se sempre numa posição firme e bem equilibrada.** Desta forma, será mais fácil controlar a ferramenta eléctrica em situações inesperadas.
- f) **Use vestuário adequado. Não use roupa larga ou jóias. Mantenha o cabelo, a roupa e as jóias afastados das peças móveis.** As roupas largas, as jóias ou o cabelo comprido podem ficar presos nestas peças.
- g) **Se for prevista a montagem de dispositivos de extracção e recolha de poeiras, assegure-se de que estão ligados e que são utilizados de forma correcta.** A utilização de dispositivos de extracção de poeiras pode reduzir os riscos inerentes.
- h) **Não permita que a familiaridade obtida através do uso frequente de ferramentas faça com que seja complacente e ignore os princípios de segurança da ferramenta.** Uma acção irreflectida

pode causar ferimentos graves numa fracção de segundos.

4) Utilização e cuidados a ter com a ferramenta com baterias

- a) **Não sobrecarregue a ferramenta eléctrica. Utilize a ferramenta eléctrica correcta para o seu trabalho.** A ferramenta eléctrica adequada efectua o trabalho de maneira mais eficiente e segura se for utilizada de acordo com a capacidade para a qual foi concebida.
- b) **Não utilize a ferramenta eléctrica se não conseguir ligar ou desligar o gatilho.** Qualquer ferramenta eléctrica que não possa ser controlada através do gatilho é perigosa e tem de ser reparada.
- c) **Retire a ficha da fonte de alimentação e/ou a bateria da ferramenta eléctrica, antes de efectuar quaisquer ajustes, substituir acessórios ou guardar ferramentas eléctricas.** Estas medidas de segurança preventivas reduzem o risco de ligar a ferramenta eléctrica acidentalmente.
- d) **Mantenha as ferramentas eléctricas que não estiverem a ser utilizadas fora do alcance das crianças. Não permita que a ferramenta eléctrica seja utilizada por pessoas não familiarizadas com a mesma ou que não tenham lido estas instruções.** As ferramentas eléctricas são perigosas nas mãos de pessoas que não possuam as qualificações necessárias para manuseá-las.
- e) **Faça a manutenção das ferramentas eléctricas. Verifique se as peças móveis da ferramenta eléctrica estão alinhadas e não emperram, bem como se existem peças partidas ou danificadas ou quaisquer outras condições que possam afectar o funcionamento da mesma. Se a ferramenta eléctrica estiver danificada, esta não deve ser utilizada até que seja reparada.** Muitos acidentes têm como principal causa ferramentas eléctricas com uma manutenção insuficiente.
- f) **Mantenha as ferramentas de corte afiadas e limpas.** As ferramentas de corte sujeitas a uma manutenção adequada, com arestas de corte afiadas, bloqueiam com menos frequência e controlam-se com maior facilidade.
- g) **Utilize a ferramenta eléctrica, os acessórios e as peças de ferramenta, etc., de acordo com estas instruções, considerando as condições de trabalho e a tarefa a ser executada.** A utilização da ferramenta eléctrica para fins diferentes dos previstos pode resultar em situações perigosas.

- h) **Mantenha as pegas e as superfícies de fixação secas, limpas e sem óleo e gordura.** As pegas e as superfícies de fixação escorregadias não permitem o manuseamento seguro e o controlo da ferramenta em situações imprevistas.

5) Utilização e cuidados a ter com a ferramenta com baterias

- a) **Recarregue apenas com o carregador especificado pelo fabricante.** Um carregador adequado para um tipo de bateria pode causar um incêndio se for utilizado com outra bateria.
- b) **Utilize apenas ferramentas eléctricas que tenham baterias especificamente concebidas.** A utilização de outro tipo de baterias pode causar ferimentos e incêndio.
- c) **Quando não utilizar a bateria, mantenha-a afastada de outros objectos metálicos, tais como cliques para papel, moedas, chaves, pregos, parafusos ou outros pequenos objectos metálicos que permitam fazer a ligação entre um terminal e outro.** O curto-circuito dos terminais da bateria pode causar queimaduras ou um incêndio.
- d) **Em condições abusivas, pode derramar líquido da bateria, devendo evitar o contacto. Se tocar acidentalmente no líquido, lave bem com água. Se o líquido entrar em contacto com os olhos, consulte um médico.** O líquido derramado da bateria pode causar irritação ou queimaduras.
- e) **Não utilize baterias ou ferramentas danificadas ou modificadas.** As baterias danificadas ou modificadas podem ter um comportamento inesperado, resultando em incêndio, explosão ou risco de ferimentos.
- f) **Não exponha as baterias ou as ferramentas a fogo ou a temperaturas excessivas.** A exposição a fogo ou a temperaturas superiores a 130 °C podem causar uma explosão. NOTA: a temperatura "130 °C" pode ser substituída pela temperatura "265 °F".
- g) **Siga todas as instruções de carregamento e não carregue a bateria ou a ferramenta fora do intervalo de temperaturas especificado nas instruções.** O carregamento inadequado ou de acordo com temperaturas fora do intervalo especificado pode danificar a bateria e aumentar o risco de incêndio.

6) Assistência

- a) **A sua ferramenta eléctrica só deve ser reparada por pessoal qualificado e só devem ser utilizadas peças sobressalentes idênticas.** Desta

forma, é garantida a segurança da ferramenta eléctrica.

- b) **Nunca repare baterias danificadas.** A reparação de baterias deve ser efectuada apenas pelo fabricante ou fornecedores de assistência autorizados.

INSTRUÇÕES ESPECÍFICAS DE SEGURANÇA

- Aviso! O compressor só pode ser utilizado em salas adequadas (com ventilação adequada e a uma temperatura ambiente que se situe entre 0 °C e +40 °C).
- Antes de efectuar quaisquer acções no compressor, retire a ficha da tomada de parede.
- Não aponte jactos de água ou jactos de líquidos inflamáveis na direcção do compressor.
- Não coloque objectos inflamáveis perto do compressor.
- Coloque o interruptor (3) na posição "0" (Desligado) durante o período de espera.
- Nunca aponte o jacto de ar para pessoas ou animais.
- Nota: algumas partes do compressor, como a cabeça e os tubos de passagem, podem atingir temperaturas elevadas. Não toque nestas peças para evitar queimaduras.
- Para transportar o compressor, levante-o ou utilize as pegas ou cabos especiais.
- As crianças e os animais devem ser mantidos afastados da área de funcionamento da máquina.
- Se utilizar o compressor para pulverizar tinta:
 - a) Não trabalhe em espaços confinados ou perto de chamas livres.
 - b) Assegure-se de que o ambiente no qual está a trabalhar tem uma ventilação adequada.
 - c) Proteja o nariz e a boca com uma máscara específica.
- Não utilize o compressor se o cabo eléctrico ou a ficha estiverem danificados e peça ao centro de assistência autorizado para substituí-lo por uma peça original.
- Se colocar o compressor numa superfície mais elevada do que o chão, deve ser protegido para evitar que caia durante o funcionamento.
- Não coloque objectos ou as mãos dentro das coberturas de protecção para evitar ferimentos e danos no compressor.
- Não utilize o compressor como objecto contra pessoas, objectos ou animais para evitar ferimentos graves.

- Se o compressor já não estiver a ser utilizado, retire sempre a ficha da tomada de parede.
- Assegure-se sempre de que as manguerias de ar comprimido são utilizadas para ar comprimido e que têm uma pressão máxima ajustada à do compressor. Não repare a mangueria se apresentar danos.

INSTRUÇÕES DE SEGURANÇA PARA TRABALHAR COM PISTOLAS DE AR COMPRIMIDO

- O compressor e as manguerias podem ficar muito quentes durante o funcionamento. Se tocar nestes, pode sofrer queimaduras.
- Os gases ou vapores aspirados pela admissão do compressor não devem ter misturas, porque podem causar um incêndio ou uma explosão no interior do compressor.
- Quando retirar o acoplamento da mangueria, segure-o sempre com firmeza para evitar ferimentos causados pela projecção da mangueria.
- Use óculos quando trabalhar com a pistola de ar comprimido. Os corpos estranhos e as partículas projectadas podem causar ferimentos facilmente.
- Não aponte a pistola de ar comprimido nem utilize-a para limpar a roupa que esteja a usar.

Segurança eléctrica

Quando utilizar máquinas eléctricas, cumpra sempre os regulamentos de segurança aplicáveis ao seu país para reduzir o risco de incêndio, choque eléctrico e ferimentos. Leia as seguintes instruções de segurança.



Verifique sempre se a tensão da fonte de alimentação corresponde à tensão indicada na etiqueta da placa sinalética.

Substituir cabos ou fichas

Deite fora de imediato cabos e fichas antigas que tenham sido substituídos por novos. É perigoso inserir a ficha de um cabo solto numa tomada de parede.

Utilizar extensões

Utilize apenas as extensões aprovadas que sejam adequadas para a entrada de alimentação da máquina. A espessura mínima do condutor é de 1,5 mm². Quando utilizar um enrolador de cabos, desenrole sempre o enrolador por completo.

2. INFORMAÇÕES SOBRE A MÁQUINA

Utilização pretendida

Este equipamento é concebido para soprar ar em tarefas de limpeza, encher pneus de automóveis, pneus de bicicletas, colchões insufláveis, bolas de desporto, etc., em conjunto com o transformador fornecido. O equipamento não é concebido para funcionamento contínuo.

ESPECIFICAÇÕES TÉCNICAS

| Modelo n.º | CR501AC |
|--------------------------|-------------------|
| Tensão | 220 - 240 V ~ |
| Frequência | 50 Hz |
| Potência do motor | 1100 W |
| Modo de funcionamento | S3 15 % - 10 min* |
| Velocidade sem carga | 3750/min |
| Classe IP | IP 20 |
| Admissão de ar | 180 l/min |
| Pressão máx. de saída | 8,0 bar |
| Peso | 4,9 kg |
| Nível de potência sonora | 97 dB (A) |

* S3 = funcionamento intermitente sem o impacto do arranque. Isto significa que durante um período de 10 minutos, o período máximo de funcionamento é de 15 % (1,5 min).

DESCRIÇÃO

Os números indicados no texto dizem respeito aos diagramas nas páginas 2 e 3.

1. Saída de ar do acoplador rápido
2. Compartimento de acessórios
3. Pega de transporte
4. Gatilho
5. Cabo eléctrico
6. Acoplador rápido
7. Conector
8. Pistola de ar comprimido
9. Manómetro
10. Válvula de escape
11. Gatilho
12. Extensão do bico
13. Mangueira com o acoplador pneumático
14. Mangueira de ar
15. Agulha de ponta esférica

16. Adaptador universal pequeno
17. Adaptador da válvula
18. Adaptador universal
19. Adaptador do bico para o conjunto de bicos
20. Conjunto de bicos

3. FUNCIONAMENTO



Apenas para utilização doméstica.



O equipamento vibra durante o funcionamento. Durante o funcionamento, coloque sempre o equipamento ao contrário sobre os pés de borracha.

Ligar o dispositivo numa tomada (Fig. A)

1. Abra a cobertura e retire a mangueira de ar (14) e os acessórios necessários do compartimento de armazenamento (2).
2. Verifique se o interruptor para ligar/desligar (4) está na posição "0" (interruptor desligado).
3. Ligue o cabo eléctrico (5) a uma tomada.



Antes de utilizar a máquina, certifique-se de que a tensão de rede está em conformidade com as especificações indicadas na placa sinalética. Cabos de alimentação compridos, extensões, enroladores de cabos, etc., causam queda de tensão e podem impedir o arranque do motor.



O equipamento vibra durante o funcionamento. Durante o funcionamento, coloque sempre o equipamento ao contrário sobre os pés de borracha.

Interruptor para ligar/desligar (Fig. A)

- Coloque o interruptor para ligar/desligar (4) na posição "I" para ligar o equipamento.
- Coloque o interruptor para ligar/desligar (4) na posição "0" para desligar o equipamento.



O equipamento não é concebido para funcionamento contínuo. Para evitar sobreaquecimento do motor, o equipamento só pode ser utilizado da seguinte maneira: Durante um período de 10 minutos, o equipamento só pode ser utilizado durante 15 % do período, por conseguinte, 1,5 minutos. Durante o resto do período (8,5 minutos), o equipamento tem de ser arrefecido novamente.

Ligar a pistola de ar comprimido (Fig. B1)

- Insira o conector (7) da pistola de ar comprimido (8) no acoplador rápido (6) na mangueira de ar. Quando empurrar, o conector encaixa no respectivo local para fixar a pistola de ar comprimido.

Desligar a pistola de ar comprimido (Fig. B2)

Quando libertar o acoplador rápido, segure no acoplador para proteger-se de ferimentos causados pelo ricochete da mangueira.

- Puxe a manga no acoplador rápido (6) e retire a ferramenta.

Utilizar a pistola de ar comprimido como pistola de sopro (Fig. C)

Assim, a pistola de ar comprimido (8) pode ser utilizada para soprar ar para várias finalidades de limpeza e para limpar áreas de difícil acesso. O gatilho (11) na pistola (8) permite distribuir uma dosagem exacta do volume de ar.

1. Desaperte a mangueira (13) da pistola de ar comprimido (8)
2. Substitua-a pela extensão do bico (12).

Utilizar a pistola de ar comprimido para encher os pneus do automóvel (Fig. C e D)

Deste modo, a pistola de ar comprimido (8) pode ser utilizada para encher pneus, camas insufláveis, etc.

1. No caso da mangueira (13) não estar montada, aparafuse-a à pistola de ar comprimido (8).
2. Ligue o acoplador pneumático directamente a uma válvula de ar do objecto que vai ser enchido. Para ligar: carregue no grampo na mangueira (13) e empurre na direcção da válvula do objecto.
3. Verifique primeiro a pressão do objecto. Veja a pressão no indicador (9):
 - Pressão demasiado elevada: carregue no botão (10) no lado esquerdo para libertar o ar.
 - Pressão demasiado reduzida: carregue no gatilho (11) para encher o objecto até atingir a pressão necessária.
4. Verifique a pressão, libertando o gatilho (11) e verifique o valor no manómetro (9).
5. Desligue a pistola de enchimento dos pneus.



Verifique o manual de utilização do seu automóvel para obter a pressão correcta dos pneus do seu automóvel.



O manómetro (9) não está calibrado! Depois de encher os pneus, verifique sempre a pressão dos pneus com um dispositivo calibrado, por exemplo, numa estação de serviço.



Risco de ferimentos! Não bombeie os objectos a uma pressão superior à pretendida. Podem rebentar e causar ferimentos e/ou danos materiais.

Utilizar os adaptadores para encher outros objectos (Fig. C e D)

A pistola de ar comprimido (8) é fornecida com vários tipos de adaptadores (15-20) para encher todo o tipo de objectos. Estes adaptadores (15-19) podem ser ligados directamente ao acoplador pneumático (13). Para estabelecer a ligação, carregue no grampo no acoplador (13) e monte o adaptador (15-19) que pretende utilizar.

Agulha de ponta esférica (Fig. C)

A agulha de ponta esférica (15) pode ser utilizada para encher bolas. Insira a agulha (15) numa válvula esférica e encha a bola, como descrito acima.

Adaptador universal (Fig. C)

Os adaptadores universais (16,18) facilitam o enchimento de colchões de ar, braçadeiras, etc. Empurre um dos adaptadores (16,18) para dentro da válvula e encha-o como descrito acima.

Adaptador da válvula (Fig. C)

O adaptador da válvula (17) facilita o enchimento de pneus dos pneus da bicicleta. Além disso, é adequado para válvulas "Sclaverand", válvulas de corrida e válvulas "Dunlop" universais. Insira o adaptador (17) na válvula e encha, como descrito acima.

Conjunto de bicos (Fig. C)

Os bicos (20) facilitam o enchimento de colchões de ar, braçadeiras, etc. Empurre um dos bicos (20) para dentro do adaptador do bico (19) e encha-o como descrito acima.

4. MANUTENÇÃO



Desligue a máquina da fonte de alimentação antes de efectuar quaisquer tarefas de manutenção.

Limpe a caixa da máquina com frequência com um pano macio, de preferência após cada utilização. Certifique-se de que as aberturas de ventilação não têm pó ou sujidade. Retire a sujidade muito persistente com um pano macio humedecido com água de sabão. Não utilize solventes, como gasolina, álcool, amoníaco, etc. Este tipo de produtos químicos danificam os componentes sintéticos.

AMBIENTE



Os aparelhos eléctricos ou electrónicos defeituosos e/ou eliminados devem ser recolhidos em locais de reciclagem adequados.

Apenas para os países da CE

Não elimine as ferramentas eléctricas em conjunto com os resíduos domésticos. De acordo com a directiva europeia 2012/19/CE sobre resíduos de equipamentos eléctricos e electrónicos e a respectiva implementação na legislação nacional, as ferramentas eléctricas que já não sejam utilizadas devem ser recolhidas em separado e eliminadas de maneira ecológica.

GARANTIA

Os produtos da VONROC são desenvolvidos de acordo com os padrões de qualidade mais elevados e não apresentam quaisquer defeitos em termos de materiais e mão-de-obra em relação ao período estipulado por lei, cujo início é a partir da data de compra original. Se o produto apresentar qualquer falha durante este período devido a qualquer defeito no material e/ou de mão-de-obra, contacte a VONROC directamente.

As seguintes circunstâncias estão excluídas desta garantia:

- Se forem efectuadas ou tentadas quaisquer reparações e/ou alterações na máquina por centros de assistência não autorizados;
- Desgaste normal;

- Se a ferramenta foi utilizada de maneira abusiva, indevida ou a manutenção for efectuada de maneira incorrecta;
- Se forem utilizadas peças sobresselentes não originais.

Isto constitui a única garantia feita pela empresa, de maneira expressa ou implícita. Não existem quaisquer outras garantias expressas ou implícitas que se prolonguem, incluindo as garantias implícitas de comercialização e adequação para fins específicos. A VONROC não será, em nenhuma circunstância, responsável por danos incidentais ou indirectos. Os fornecedores devem estar limitados a reparar ou substituir as unidades ou peças que não estejam em conformidade.

O equipamento e o manual do utilizador estão sujeitos a alterações sem aviso prévio. As especificações podem ser alteradas sem aviso prévio.

1. BIZTONSÁGI UTASÍTÁSOK

Olvasza el az összes mellékelt biztonsági figyelmeztetést. A figyelmeztetések és utasítások be nem tartása áramütéshez, tűz keletkezéséhez vagy akár súlyos személyi sérüléshez vezethet. Őrizze meg a biztonsági figyelmeztetéseket és utasításokat későbbre is.

A használati útmutatóban és a terméken a következő jelölésekkel találkozhat:



Olvasza el a használati útmutatót.



Jelzi a személyi sérülések, az életveszély vagy a szerszám károsodásának veszélyét a használati útmutató utasításainak be nem tartása esetén.



Csak beltéri használatra.



Viseljen fülvédőt.



Hangteljesítményszint.



Áramütés veszélye.



Forró felületek által okozott égési sérülések veszélye.



Figyelem: áramszünet és az azt követő visszaállítás esetén a kompresszor automatikusan elindulhat.



II érintésvédelmi osztályú gép - Kettős szigetelés: földvezeték nélküli csatlakozó aljzatról is használható.



A terméket hulladékként ne tegye arra nem alkalmas konténerbe.



A termék megfelel az európai irányelvek rá vonatkozó biztonsági követelményeinek.

AZ ELEKTROMOS SZERSZÁMOKRA VONATKOZÓ ÁLTALÁNOS BIZTONSÁGI FIGYELMEZTETÉSEK



FIGYELMEZTETÉS! Olvasson el minden biztonsági figyelmeztetést és utasítást.

A biztonsági figyelmeztetések és útmutatások be nem tartása áramütést, tüzet és/vagy súlyos sérülést okozhat.

Az összes figyelmeztetést és utasítást őrizze meg, mert később még szüksége lehet rájuk.

A figyelmeztetésekben szereplő „elektromos szerszám” kifejezés az Ön hálózatról működő (vezeték) elektromos szerszámára vagy akkumulátorral működő (vezeték nélküli) elektromos szerszámra utal.

1) A munkaterület biztonsága

- Gondoskodjon a munkaterület tisztaságáról és megfelelő megvilágításáról.** A rendezetlen és sötét területeken valószínűbb a balesetek előfordulása.
- Ne használja az elektromos szerszámokat robbanásveszélyes légtérben, például ahol gyúlékony folyadékok, gázok vagy por vannak jelen.** Az elektromos szerszámok használata során keletkező szikra lángra lobbanthatja a port és füstöt.
- Az elektromos szerszám használata során a gyermekeket és a közelben tartózkodó személyeket tartsa távol a munkaterülettől.** Ha valami eltereli a figyelmét, elveszítheti az irányítást.

2) Elektromos biztonság

- Az elektromos szerszám dugóinak megfelelőnek kell lenniük az aljzathoz. Soha ne próbálja semmilyen módon módosítani a dugót. Földelt elektromos szerszámhoz ne használjon semmilyen adapterdugót.** Az eredeti (értsd: módosítás nélküli) dugók és megfelelő hálózati aljzatok használatával mérsékelhető az elektromos áramütés veszélye.
- Ügyeljen arra, hogy teste ne érintkezzen földelt felületekkel, például csővezetékekkel, radiátorral, tűzhellyel vagy hűtőszekrényvel.** Ha teste földelődik, megnő az áramütés kockázata.
- Óvja az elektromos szerszámokat az esőtől és nedves környezettől.** Az elektromos szerszámba kerülő víz növeli az elektromos áramütés veszélyét.
- Ne használja helytelenül (nem előírászerűen) a kábelt. A kábelt soha ne használja az elektromos szerszám hordozására, húzására vagy az aljzathoz történő kihúzására. A kábelt tartsa távol hőforrásoktól, olajtól, hegyes élektől és mozgó alkatrészekről.** A sérült vagy megtekeredett kábelek növelik az elektromos áramütés veszélyét.
- Az elektromos szerszám kültéri használata esetén kültéri használatra alkalmas hosszabító kábelt használjon.** A kültéri használatra

alkalmas kábel használatával mérsékelhető az elektromos áramütés veszélye.

- f) **Ha az elektromos szerszámot mindenképpen nedves környezetben kell használni, akkor használjon áramvédő kapcsolóval (RCD) ellátott tápforrást.** Az áramvédő kapcsolóval ellátott tápforrás használatával mérsékelhető az elektromos áramütés veszélye.

3) Személyi biztonság

- a) **Az elektromos szerszám használata során maradjon éber, koncentráljon az éppen végzett műveletre és használja a józan ítélőképességét. Ha fáradt, vagy ha kábítószert, alkoholt vagy gyógyszer hatása alatt áll, ne használjon elektromos szerszámot.** Az elektromos szerszámok használata közben egyetlen pillanatnyi figyelmetlenség is súlyos személyi sérülést okozhat.
- b) **Használjon egyéni védőfelszerelést. Mindig viseljen szemvédő felszerelést.** A megfelelő körülményekhez való védőeszközökkel (például pormaszkkal, csúszásgátló biztonsági cipővel, munkavédelmi sisakkal vagy hallásvédő eszközzel) csökkenthető a személyi sérülések kockázata.
- c) **Gondoskodjon a gép véletlen elindulásának a megelőzéséről. A szerszám tápforráshoz és/vagy akkumulátorcsomaghoz történő csatlakoztatása, kézbevétele vagy hordozása előtt győződjön meg róla, hogy a kapcsoló OFF (kikapcs.) állásban van.** Ha úgy hordozza az elektromos szerszámot, hogy az ujjja a kapcsolón van, vagy úgy helyezi feszültség alá, hogy a kapcsolója ON (bekapcs.) helyzetben van, ez növeli a balesetek kockázatát.
- d) **Az elektromos szerszám bekapcsolása előtt távolítsa el a csavarkulcsokat vagy beállító kulcsokat.** Az elektromos szerszám forgó alkatrészein felejtett csavarkulcs vagy beállító kulcs személyi sérülést okozhat.
- e) **Ne próbáljon túlnyújtózva vagy kitekeredett testhelyzetben dolgozni. Mindig két lábbal, egyensúlyát megtartva álljon a talajon.** Így könnyebben tudja irányítani az elektromos szerszámot a váratlan helyzetekben.
- f) **Viseljen megfelelő öltözetet. Ne viseljen laza ruhát vagy ékszert. Hajját, ruháját és kesztyűjét tartsa távol a mozgó alkatrészektől.** A mozgó alkatrészek behúzhatják a ruhákat, az ékszereket és a hosszú haját.
- g) **Ha a szerszámhoz porszívó és porgyűjtő eszközt is lehet csatlakoztatni, akkor gondoskod-**

jon ezek csatlakoztatásáról és megfelelő használatáról. A porgyűjtő rendszerek használatával csökkenthetők a porral kapcsolatos veszélyek.

- h) **Ne engedje, hogy a szerszámok gyakori használata során szerzett tapasztalatai túlzott biztonságerzetet keltsenek Önben, és amiatt elhanyagolja a biztonsági alapelveket.** A gondatlan cselekvés már a másodperc töredéke alatt is súlyos sérülést okozhat.
- 4) **Az elektromos szerszám használata és ápolása**
- a) **Az elektromos szerszámot tilos túlzott erő-kifejtéssel használni. Az alkalmazási célnak megfelelő elektromos szerszámot használjon.** A megfelelő elektromos szerszám biztonságosabban és hatékonyabban végzi a munkát azon a fordulatszámon, amire azt tervezték.
- b) **Ne használja az elektromos szerszámot, ha az nem kapcsolható be/ki a főkapcsolóval.** Bármely elektromos szerszám veszélyes lehet, amit a kapcsolóval nem lehet irányítani, ezért az ilyen elektromos szerszámot meg kell javíttatni.
- c) **Válassza le a dugót a tápforrásról és/vagy az akkumulátorcsomagot az elektromos szerszámról, mielőtt bármilyen módosítást végez, tartozékot cserél vagy eltárolja az elektromos szerszámot.** Ezekkel a megelőző biztonsági intézkedésekkel csökkenthető az elektromos szerszám véletlen elindulásának a kockázata.
- d) **A használaton kívüli elektromos szerszámot olyan helyen tárolja, ahol gyermekek nem férhetnek hozzá; ne engedje, hogy olyan személyek használják, akik az elektromos szerszámot és ezeket az utasításokat nem ismerik.** Az elektromos szerszámok rendkívül veszélyesek lehetnek szakképzetlen felhasználók kezeiben.
- e) **Tartsa karban az elektromos szerszámokat. Ellenőrizze, hogy a mozgó alkatrészek nem állítottak-e el vagy nem szorulnak-e, nincsenek-e a szerszámon törött alkatrészek, és nem állnak-e fenn olyan körülmények, amelyek befolyásolhatják a szerszám működését. Ha az elektromos szerszám sérült, használat előtt javíttassa meg.** A nem megfelelően karbantartott elektromos szerszámok számos balesetet okoznak.
- f) **Tartsa élesen és tisztán a vágószerszámokat.** A megfelelően karbantartott, éles vágószerszámok beszorulásának kisebb a valószínűsége, ráadásul könnyebben irányíthatók.
- g) **Az elektromos szerszámot, tartozékokat és szerszámszárakat stb. a használati útmuta-**

- tónak megfelelően használja, a munkakörülmények és az elvégzendő feladat figyelembevételével. Ha az elektromos szerszámot a rendeltetési céljától eltérően használják, ez veszélyhelyzetet teremthet.
- h) **Tartsa a fogantyúkat és egyéb markolási felületeket szárazon, tisztán, olajtól és zsírtól mentesen.** Váratlan helyzetekben a csúszós fogantyúk és egyéb markolási felületek akadályozzák a szerszám biztonságos kezelését és irányítását.
- 5) **Az akkumulátoros szerszám használata és ápolása**
- a) **Újratöltéshez csak a gyártó által megjelölt töltőt használja.** Az a töltő, amely alkalmas egy bizonyos típusú akkumulátor töltésére, másik típusú akkumulátornál tűzveszélyt okozhat.
- b) **Csak a kifejezetten hozzájuk készült akkumulátorral használja az elektromos szerszámokat.** Bármilyen másfajta akkumulátor használata tűz- és balesetveszélyt idézhet elő.
- c) **Amikor az akkumulátor nincs használatban, óvja olyan más fém tárgytól, mint a gémpapocsa, a pénzérmé, kulcs, szög, csavar és más kis fém tárgyak, amely a két kapcsot össze képes kötni.** Az akkumulátor kapcsok rövidre zárása égési sérülést vagy tüzet okozhat.
- d) **Nem előírászerű körülmények között az akkumulátorból folyadék szivároghat; kerülje a vele való érintkezést. Ha véletlenül mégis a bőrre kerül, vízzel öblítse le. Ha a folyadék szembe kerül, forduljon orvoshoz.** Az akkumulátorból származó folyadék bőrizgató hatású, égési sérülést is okozhat.
- e) **Sérült vagy átalakított akkucsomagot és szerszámot ne használjon.** A sérült vagy átalakított akkumulátorok kiszámíthatatlanul viselkedhetnek, tüzet, robbanást vagy sérülést okozhatnak.
- f) **Tűztől és szélsőséges hőmérséklettől óvja az akkucsomagot és a szerszámot.** Ha tűznek vagy 130 °C-on felüli hőmérsékletnek teszi ki, robbanást okozhat. MEGJEGYZÉS: a „130 °C” „265 °F”-nak (Fahrenheit foknak) felel meg.
- g) **Tartsa be a töltésre vonatkozó összes utasítást, és ne töltse az akkucsomagot vagy a szerszámot a kezelési útmutatóban megadott tartományon kívül eső hőmérséklet mellett.** Nem megfelelő vagy a megadott tartományon kívüli hőmérséklet mellett történő töltés károsíthatja az akkumulátort, és tűzveszéllyel jár.

6) Szerviz

- a) **Az elektromos szerszámot képzett javító szakemberrel javíttassa, csakis az eredetivel azonos pótalkatrészeket használjon fel.** Ez biztosítja, hogy az elektromos szerszám továbbra is biztonságos maradjon.
- b) **Sérült akkucsomagot soha ne szervizeljen.** Akkucsomagok szervizelését csak a gyártó vagy annak megbízott szolgáltatója végezheti.

SPECIÁLIS BIZTONSÁGI ÚTMUTATÁSOK

- Figyelmeztetés! A kompresszor csak megfelelő helyiségekben használható (jó szellőzéssel, 0 °C és +40 °C közötti környezeti hőmérséklettel).
- Ne végezzen semmilyen műveletet a kompresszoron anélkül, hogy előtte a kábelt kihúzza volna a csatlakozóaljzatból.
- Ne irányítson a kompresszorra vízsugarat vagy gyúlékony folyadéksugarat.
- Ne helyezzen gyúlékony tárgyakat a kompresszor közelébe.
- A leállási idő alatt kapcsolja a kapcsolót (3) „0” állásba (KI).
- Soha ne irányítsa a légsugarat személyekre vagy állatokra.
- Megjegyzés: a kompresszor egyes részei, például a fej és a átvető csövek magas hőmérsékletet érhetnek el. Az égési sérülések elkerülése érdekében ne érintse meg ezeket az alkatrészeket.
- A kompresszort felemelve vagy a speciális fogantyúk és markolatok segítségével szállítsa.
- A gyermekeket és állatokat a gép működési területétől távol kell tartani.
- Ha a kompresszort festékszórásra használja:
 - a) Ne dolgozzon zárt térben vagy nyílt láng közelében.
 - b) Győződjön meg arról, hogy a környezet, amelyben dolgozni fog, az erre a célra kijelölt szellőzéssel rendelkezik.
 - c) Védje az orrát és a száját erre a célra kijelölt maszk segítségével.
- Ne használja a kompresszort, ha az elektromos kábel vagy a csatlakozó sérült, és azok eredeti alkatrésze történő kicseréléséhez kérje hivatalos szerviz segítségét.
- Ha a kompresszort a padlónál magasabban fekvő felületre helyezi, rögzítenie kell, hogy működés közben ne essen le.
- A kompresszor fizikai károsodásának és károsodásának elkerülése érdekében ne helyezzen tárgyakat vagy a kezét a védőburkolatba.

- Ne használja a kompresszort tompa eszközként személyek, tárgyak vagy állatok ellen súlyos sérülések kivédésére.
- Ha a kompresszor már nincs használatban, mindig húzza ki a dugaszt a csatlakozóaljzatból.
- Mindig ügyeljen arra, hogy sűrített levegős tömlőket használjon a sűrített levegőhöz, amelyeket a kompresszor maximális nyomása jellemez. Ne próbálja meg megjavítani a tömlőt, ha az sérült.

BIZTONSÁGI UTASÍTÁSOK SŪRÍTETT PISZTOLLYAL TÖRTÉNŐ MUNKAVÉGZÉSHEZ

- A kompresszor és a tömlők működés közben nagyon felforrósodhatnak. Megérintésük égési sérülést okozhat.
- A kompresszor bemeneténél beszívott gázokat vagy gőzöket a kompresszoron belül tüzet vagy robbanást okozó keverékektől mentesen kell tartani.
- A tömlőcsatlakozó eltávolításakor mindig erősen ragadja meg a tömlőcsatlakozót, hogy elkerülje az elrepülő tömlő által okozott sérüléseket.
- Amikor a fúvópisztollyal dolgozik, viseljen védőszemüveget. Az idegen testek és a fűjt részecskék könnyen sérülést okozhatnak.
- A fúvópisztolyt ne irányítsa emberre, ill. ne használja fel a ruhadarabjai tisztítására.

Elektromos biztonság

Villamos kisgépek használatakor mindig tartsa be az adott ország tűz és áramütés elleni és egyéb balesetek elkerülését célzó szabályokat. Olvassa el a következő biztonsági utasításokat.



Mindig ellenőrizze, hogy a tápellátás megfelelő-e az adattáblán feltüntetett feszültségnek.

Kábelek és dugók cseréje

Azonnal selejtezze le a régi kábeleket és dugókat, ha azokat újakra cserélte. Veszélyes lehet egy meg lazult kábel dugóját a fali aljzathoz csatlakoztatni.

Hosszabbító kábelek használata

Csak a gép felvett teljesítményéhez megfelelő, jóváhagyott hosszabbító kábelt használjon. A vezeték minimális keresztmetszete: 1,5 mm². Kábeldob használatakor mindig teljesen tekercselje le a vezetékét.

2. A GÉP ADATAI

Rendeltetése

A berendezést tisztítási munkálatoknál a levegő-fúvás biztosítására, gépjárművek, kerékpárok gumiabroncsának, felfújható matracok, sportlabdák stb. felfújására alakítottuk ki, a megfelelő adapter használata mellett. A készülék nem folyamatos működtetésre készült.

MŰSZAKI ADATOK

| Modellazonosító | CR501AC |
|------------------------|-------------------|
| Feszültség | 220-240 V |
| Frekvencia | 50 Hz |
| Motor teljesítménye | 1100 W |
| Üzem mód | S3 15% - 10 perc* |
| Alapjárat fordulatszám | 3750/min |
| IP-osztály | IP 20 |
| Levegőbeszívás | 180 l/perc |
| Max. kimeneti nyomás | 8,0 bar |
| Súly | 4,9 kg |
| Hangteljesítményszint | 97 dB (A) |

* S3 = időszakos működtetés az indítás hatása nélkül. Ez azt jelenti, hogy egy 10 perces időtartam során a maximális üzemi idő 15% (1,5 perc).

LEÍRÁS

A szövegbeli számok a 2–3. oldal képeire utalnak.

1. Gyorscsatlakozó (légkimenet)
2. Tartozékok rekesze
3. Hordfogatnyű
4. Kapcsoló
5. Elektromos kábel
6. Gyorscsatlakozó
7. Csatlakozó
8. Légpisztoly
9. Nyomásmérő
10. Kioldószelep
11. Indítókapcsoló
12. Hosszabbító fúvóka
13. Légszűrős tömlő
14. Légtömlő
15. Tűszelep
16. Univerzális adapter, kicsi
17. Szelepadapter

18. Univerzális adapter
19. Fúvókakészlet fúvókaadaptere
20. Fúvókakészlet

3. KEZELÉS



Kizárólag háztartásokban történő használatra.



A berendezés üzemelés közben vibrál. Működés közben mindig fordítva helyezze le a gumilábakra.

A berendezés kimenethez történő csatlakoztatása (A ábra)

1. Nyissa fel a fedelet és vegye ki a tárolórekeszből (2) a légtömlőt (14) és a szükséges tartozékokat.
2. Győződjön meg róla, hogy a BE/KI kapcsoló (4) „0” állásban van (ki van kapcsolva).
3. Csatlakoztassa a elektromos kábelt (5) egy aljzathoz.



A gép használata előtt győződjön meg arról, hogy a hálózati feszültség megegyezik az adattáblán feltüntetett műszaki adatok értékével. Hosszú tápkábelek, hosszabbítók, kábeldobok stb. feszültségesezt okoznak és gátolhatják a motor indítását.



A berendezés üzemelés közben vibrál. Működés közben mindig fordítva helyezze le a gumilábakra.

Főkapcsoló gomb (A ábra)

- A berendezés bekapcsolásához kapcsolja a BE/KI kapcsolót (4) „I” állásba.
- A berendezés kikapcsolásához kapcsolja a BE/KI kapcsolót (4) „0” állásba.



A készülék nem folyamatos működtetésre készült. A motor túlmelegedésének elkerüléséhez a készüléket az alábbiak szerint használja: 10 perces időtartamon belül a berendezést kizárólag az időtartam 15%-ának megfelelő ideig lehet üzemeltetni, azaz mindösszesen 1,5 percig. A pihenési idő során (8,5 perc) a berendezésnek újból le kell hűlnie.

A légpisztoly csatlakoztatása (B1 ábra)

- Illessze a légpisztoly (8) csatlakozóját (7) a légtömlő gyorscsatlakozójába (6). A csatlakozó benyomásakor az a helyére kattán, így rögzítve a légpisztolyt.

A légpisztoly lecsatlakoztatása (B2 ábra)



A visszaugró tömlő által okozott sérülés elkerülése érdekében a gyorscsatlakozó kiengedésekor mindenképpen tartsa meg a csatlakozót.

- Húzza vissza a gyorscsatlakozó karmantyúját (6) és távolítsa el az eszközt.

A légpisztoly lefúvó pisztolyként történő alkalmazása (C ábra)

Ezzel az üzemmóddal a légpisztolyt (8) számos tisztítási céllal, többek között nehezen elérhető területek megtisztítására is alkalmazhatja. A pisztoly (8) indítógombja (11) használatával a levegő mennyiség pontosan szabályozható.

1. Csavarja ki a tömlőt (13) a légpisztolyból (8)
2. Helyezze be a hosszabbító fúvókát (12).

A légpisztoly alkalmazása gépjárművek abroncsának felfújásához (C és D ábra)

Ezzel az üzemmóddal a légpisztolyt (8) abroncsok, ágyak stb. felfújására is alkalmazhatja.

1. Ha a tömlő (13) nincs felszerelve, akkor csavarja rá légpisztolyra (8).
2. Csatlakoztassa a légcsatlakozót közvetlenül a felfújandó objektumhoz. Csatlakoztatás: nyomja meg a tömlőn (13) található bilincset és nyomja rá az objektum szelepeére.
3. Először ellenőrizze az objektumban található nyomást. Olvassa le az értéket a mérőről (9):
 - Ha a nyomás túl magas: nyomja meg a bal oldalon található gombot (10) a levegő kieresztéséhez.
 - Ha a nyomás túl alacsony: nyomja meg az indítógombot (11), hogy az objektumot felfújja a kívánt nyomásértékre.
4. Ellenőrizze a nyomást az indítógomb (11) kioldásával, majd olvassa le a nyomásmérőt (9).
5. Csatlakoztassa le az abroncsot felfújó pisztolyt.



A megfelelő nyomáshoz olvassa el a gépjármű használati utasítását.



A nyomásmérőt (9) nem kalibráltuk! Az abroncsok felfújását követően egy kalibrált eszköz, például benzinkúti nyomásmérő segítségével ellenőrizze az abroncs nyomását.



Sérülésveszély! Soha ne fújja az adott objektumot a megadott nyomásértéknél magasabb nyomásra. Akár fel is robbanhat és személyi sérülést és/vagy anyagi kárt is okozhat.

A légpisztoly alkalmazása egyéb tárgyak felfújásához (C és D ábra)

A légpisztolyhoz (8) számos adaptert adunk (15-20), így a használatukkal Ön mindenféle objektumot felfújhat. Az adaptereket (15-19) közvetlenül a légcsatlakozóra (13) lehet kötni. A csatlakoztatáshoz nyomja meg a csatlakozó (13) bilincset és csatlakoztassa a használni kívánt adapterek (15-19) egyikét.

Tűszelep (C ábra)

A tűszelepet (15) labdák felfújásánál lehet alkalmazni. Nyomja be a szelepet (15) a labda szelepébe, majd a fentiek szerint fújja fel a labdát.

Univerzális adapter (C ábra)

Az univerzális adapterrel (16, 18) könnyen felfújhatók a légmattacok, úszógumik stb. Nyomja rá a szelepre az egyik adaptert (16, 18), majd a fentiek szerint fújja fel az adott tárgyat.

Szelepadapter (C ábra)

A szelepadapterrel (17) a kerékpárok gumijai fújhatók fel könnyen. Jól illeszkedik a „Sclaverand” típusú szelepekre, a versenyszelepekre és az univerzális „Dunlop” szelepekre. Nyomja rá az adaptert (17) a szelepre, majd a fentiek szerint fújja fel a kerékpárbelső.

Fúvókakészlet (C ábra)

Ezekkel a fúvókákkal (20) könnyen felfújhatók a légmattacok, úszógumik stb. Nyomja rá a fúvókáadapterre (19) az egyik fúvókát (20), majd a fentiek szerint fújja fel az adott tárgyat.

4. KARBANTARTÁS



Karbantartási munkák elvégzése előtt mindig válassza le a gépet a hálózati tápellátásról.

A gép burkolatát rendszeresen, lehetőleg minden használat után törölje át puha ronggyal. Ügyeljen arra, hogy a szellőzőnyílások portól és piszoktól mentesek legyenek. Makacs szennyeződésekhez használjon szappanos vízzel átitatott ruhát. Oldószert, benzint, alkoholt, ammóniát stb. ne használjon. Ezek a vegyszerek kárt tesznek a szintetikus alkatrészekben.

KÖRNYEZET



A hibás vagy már feleslegessé vált elektromos, elektronikus készülékeket az ezzel foglalkozó begyűjtő helyeken kell leadni.

Csak EU országokban

Elektromos szerszámot ne dobjon a háztartási hulladékba. Az elektromos és elektronikai hulladékokra vonatkozó, 2012/19/EU európai irányelv és annak a nemzeti törvénykezésbe történő átültetése értelmében az elhasználdott elektromos készülékeket külön kell gyűjteni és környezetbarát módon kell kiselejtezni.

GARANCIA

A VONROC termékei a legmagasabb minőségi normák szerint készülnek, és az eredeti vásárlás napjától számított, törvényileg előírt időtartamig garantáljuk, hogy anyag- és gyártási hibáktól mentesen fognak működni. Ha a termékben ezen időszak alatt bármilyen hiba jelentkezik anyag- és/vagy gyártási hiba miatt, kérjük, forduljon közvetlenül az Ön VONROC kapcsolattartójához.

A szavatosság nem érvényes a következő körülmények egyikére sem:

- Nem hivatalos szervizközpontok javítást vagy módosítást végeztek (vagy megkíséreltek javítást vagy módosítást végezni) a gépen;
- Normál elhasználódás és kopás;
- A szerszámot erőszakosan vagy nem rendeltetésszerűen használták, vagy a karbantartása nem volt megfelelő;
- Nem eredeti pótalkatrészeket használtak.

A jelen garancia a vállalat által (akár kifejezetten, akár hallgatólágosan) biztosított kizárólagos garancia. Nem léteznek olyan egyéb garanciák (sem kifejezett, sem hallgatólágos garanciák, beleértve az értékesíthetőségre és az adott célra való alkalmasságra vonatkozó hallgatólágos garanciákat is), amelyek a jelen garancia hatókörén túlmutatnak. A VONROC semmilyen esetben sem felelős semmilyen járulékos vagy következményes kárért. A forgalmazók jogorvoslati teendői az előírásoknak nem megfelelő egységek vagy alkatrészek javítására és cseréjére korlátozódnak.

A termék és a használati útmutató változtatásának jogát fenntartjuk. A műszaki adatok előzetes bejelentés nélkül változhatnak.

1. BEZPEČNOSTNÍ POKYNY

Přečtěte si přiložené bezpečnostní výstrahy, dodatečné bezpečnostní výstrahy a bezpečnostní pokyny. Nebudete-li dodržovat tyto bezpečnostní výstrahy a pokyny, může dojít k úrazu elektrickým proudem, k vzniku požáru nebo k vážnému zranění. Ušchovejte tyto bezpečnostní výstrahy a pokyny pro budoucí použití.

V tomto návodu k obsluze a na tomto výrobku jsou použity následující symboly:



Přečtěte si uživatelskou příručku.



Upozorněje na riziko zranění osob, ztráty života nebo poškození zařízení, nebudou-li dodržovány pokyny uvedené v tomto návodu.



Není určeno pro venkovní použití.



Používejte ochranu sluchu.



Hladina akustického výkonu.



Nebezpečí úrazu elektrickým proudem.



Riziko popálení následkem kontaktu s horkými povrchy.



Upozornění: kompresor se může automaticky rozběhnout v případě výpadku a následného obnovení napájení.



Výrobek třídy II - Dvojitá izolace - Není nutné použití uzemňovacího vodiče.



Nevyhazujte tento výrobek do nevhodného kontejneru.



Tento výrobek je vyroben v souladu s platnými bezpečnostními normami, které jsou uvedeny ve směrnicích EU.

ZÁKLADNÍ BEZPEČNOSTNÍ VÝSTRAHY PRO ELEKTRICKÉ NÁŘADÍ



VAROVÁNÍ! Přečtěte si všechny bezpečnostní výstrahy a všechny pokyny. Nebudete-li dodržovat tyto bezpečnostní výstrahy a pokyny, může dojít k úrazu elektrickým proudem, k vzniku požáru nebo k způsobení vážného zranění.

Uschovejte všechny bezpečnostní výstrahy a pokyny pro budoucí použití.

Termín elektrické nářadí v těchto varováních odkazuje na elektrické nářadí napájené z elektrické sítě (s napájecím kabelem) nebo z akumulátoru (bez napájecího kabelu).

1) Bezpečnost pracovního prostoru

- a) **Udržujte pracoviště uklizené a dobře osvětlené.** Neuklizená nebo tmavá místa přivolávají nehody.
- b) **Nepoužívejte elektrická nářadí ve výbušných prostředích, jako jsou místa s přítomností hořlavých kapalin, plynů nebo prachu.** V elektrickém nářadí dochází k jiskření, které může způsobit vznícení prachu nebo výparů.
- c) **Při práci s tímto elektrickým nářadím udržujte děti a okolostojící osoby v bezpečné vzdálenosti.** Rozptylování může způsobit ztrátu kontroly nad nářadím.

2) Elektrická bezpečnost

- a) **Zástrčka napájecího kabelu nářadí musí odpovídat zásuvce. Zástrčku nikdy žádným způsobem neupravujte. Nepoužívejte u uzemněného elektrického nářadí žádné adaptéry zástrček.** Neupravené zástrčky a odpovídající zásuvky budou snižovat riziko úrazu elektrickým proudem.
- b) **Vyvarujte se kontaktu s uzemněnými povrchy, jako jsou potrubí, radiátory, trouby a ledničky.** Dojde-li k uzemnění vašeho těla, hrozí zvýšené riziko způsobení úrazu elektrickým proudem.
- c) **Nevystavujte elektrické nářadí dešti ani vlhkému prostředí.** Dostane-li se do elektrického nářadí voda, zvýší se riziko úrazu elektrickým proudem.
- d) **Nezacházejte špatně s napájecím kabelem. Nikdy nepoužívejte napájecí kabel pro přenášení nebo tahání elektrického nářadí a netahejte za tento kabel při odpojování zástrčky od zásuvky. Dbejte na to, aby tento kabel nepřecházel přes horké a mastné povrchy nebo přes ostré hrany, a aby se nedostal do kontaktu s pohyblivými se díly.** Poškozené nebo zamotané kabely zvyšují riziko úrazu elektrickým proudem.
- e) **Používáte-li elektrické nářadí venku, použijte prodlužovací kabel vhodný pro venkovní použití.** Použití prodlužovacího kabelu pro venkovní použití snižuje riziko úrazu elektrickým proudem.
- f) **Musíte-li používat toto elektrické nářadí ve vlhkém prostředí, používejte v elektrickém obvodu**

proudový chránič (RCD). Použití proudového chrániče (RCD) snižuje riziko úrazu elektrickým proudem.

3) Bezpečnost osob

- a) **Při práci s tímto elektrickým nářadím buďte stále pozorní, sledujte, co provádíte, a používejte zdravý rozum. Nepoužívejte elektrické nářadí, jste-li unaveni nebo jste-li pod vlivem drog, alkoholu nebo léků.** Nepozornost při práci s elektrickým nářadím může vést k velmi nebezpečným zraněním.
- b) **Používejte osobní ochranné prostředky. Vždy používejte ochranu zraku.** Ochranné prostředky, jako jsou maska proti prachu, neklouzavá pracovní ochranná obuv, pevná přilba nebo chrániče sluchu, které jsou používány v příslušných podmínkách, zmenšují riziko způsobení zranění osob.
- c) **Zabraňte náhodnému spuštění nářadí. Před připojením elektrického nářadí k napájecímu zdroji nebo před vložením akumulátoru do nářadí, před zvednutím nářadí nebo před jeho přenášením se ujistěte, zda je spínač nářadí v poloze vypnuto.** Přenášení elektrického nářadí s prstem na spouštěcím spínači nebo připojení elektrického nářadí ke zdroji elektrické energie, je-li spouštěcí spínač v poloze zapnuto, zvyšuje pravděpodobnost vzniku nehod.
- d) **Před zapnutím elektrického nářadí vždy odstraňte všechny klíče a seřizovací přípravky.** Klíče nebo seřizovací přípravky ponechané na rotující části elektrického nářadí mohou způsobit zranění osob.
- e) **Nepřeceňujte své síly. Vždy udržujte správný postoj a rovnováhu.** Tak si zachováte lepší kontrolu nad nářadím v neočekávaných situacích.
- f) **Vhodně se oblékejte. Nenoste volný oděv nebo šperky. Udržujte vlasy, oblečení a rukavice v bezpečné vzdálenosti od všech pohyblivých částí.** Volný oděv, šperky nebo dlouhé vlasy mohou být zachyceny pohyblivými se díly.
- g) **Jsou-li zařízení vybavena adaptérem pro připojení odsávacího systému, ujistěte se, zda je odsávací zařízení správně připojeno a zda správně plní svoji funkci.** Použití odsávání prachu může snížit rizika spojená prací v prašném prostředí.
- h) **Nedovoďte, aby jistota získaná častým používáním nářadí vedla ke snížení vaší pozornosti a ignorování zásad bezpečné práce s nářadím.** Chvilková nepozornost může během zlomku sekundy způsobit vážné zranění.

4) Použití elektrického nářadí a jeho údržba

- a) **Nepřetěžujte elektrické nářadí. Používejte pro prováděnou práci správné elektrické nářadí.** Správné elektrické nářadí provede práci lépe a bezpečněji, je-li použito pro práce, pro které je určeno.
 - b) **Nepoužívejte elektrické nářadí, nepracuje-li správně jeho spouštěcí spínač.** Nemůžete-li elektrické nářadí ovládat pomocí spouštěcího spínače, takové nářadí je velmi nebezpečné a musí být opraveno.
 - c) **Před prováděním jakéhokoliv seřízení, před výměnou příslušenství nebo před uložením odpojte napájecí kabel nářadí od napájecího zdroje nebo z nářadí vyjměte akumulátor.** Tato preventivní bezpečnostní opatření snižují riziko náhodného spuštění elektrického nářadí.
 - d) **Uložte nepoužívané elektrické nářadí mimo dosah dětí a nedovoďte osobám, které nejsou obeznámeny s tímto nářadím nebo s těmito pokyny, aby toto elektrické nářadí používaly.** Elektrické nářadí je v rukách neproškolených osob nebezpečné.
 - e) **Provádějte údržbu elektrického nářadí. Zkontrolujte vychýlení nebo zablokování pohyblivých částí, poškození dílů a stavy nářadí, které by mohly mít vliv na správnou funkci nářadí. Je-li elektrické nářadí poškozeno, před použitím zajistěte jeho opravu.** Mnoho nehod bývá způsobeno nedostatečnou údržbou elektrického nářadí.
 - f) **Udržujte řezné nástroje ostré a čisté.** U správně udržovaných řezných nástrojů s ostrými řeznými břity je menší pravděpodobnost jejich zablokování a lépe se s nimi pracuje.
 - g) **Používejte elektrické nářadí, příslušenství, pracovní nástroje atd. v souladu s těmito pokyny a berte v úvahu pracovní podmínky a práci, která má být provedena.** Použití elektrického nářadí pro operace, pro které není určeno, může vést k nebezpečným situacím.
 - h) **Dbějte na to, aby byly rukojeti a úchopné povrchy suché, čisté a zbavené olejů a maziv.** Kluzké rukojeti a plochy pro úchop neumožňují bezpečnou manipulaci a ovládání nářadí v neočekávaných situacích.
- 5) Použití a údržba akumulátorového nářadí**
- a) **K nabíjení používejte výhradně nabíječku předepsanou výrobcem.** Nabíječka vhodná pro jeden typ akumulátoru může způsobit požár při vložení jiného, nevhodného typu.

- b) **Používejte elektrické nářadí pouze s předepsanými akumulátory.** Použití jiných typů akumulátoru může způsobit požár nebo zranění.
- c) **Když akumulátor nepoužíváte, uložte ho mimo dosah kovových předmětů, jako jsou kancelářské sponky, mince, klíče, hřebíky, šroubky nebo jiné malé kovové předměty, které by mohly zkratovat jeho kontakty.** Zkratování kontaktů akumulátoru může způsobit popáleniny nebo požár.
- d) **Za nevhodných podmínek může z akumulátoru unikat kapalina. Vyvarujte se kontaktu s touto kapalinou. Dojde-li k náhodnému kontaktu s touto kapalinou, zasažené místo omyjte vodou. Dostane-li se kapalina do očí, ihned si je vypláchněte vodou a vyhledejte lékařskou pomoc.** Unikající kapalina z akumulátoru může způsobit podráždění pokožky nebo popáleniny.
- e) **Nepoužívejte poškozený nebo upravený akumulátor či nářadí.** Poškozené nebo upravené akumulátory se mohou chovat nepředvídatelně, což může způsobit požár, výbuch nebo nebezpečí zranění.
- f) **Nevystavujte akumulátor a nářadí ohni ani nadměrným teplotám.** Vystavení účinkům ohně nebo teplot nad 130 °C může způsobit výbuch. POZNÁMKA: Teplota „130 °C“ odpovídá teplotě „265 °F“.
- g) **Dodržujte všechny pokyny pro nabíjení a nenabíjejte akumulátor ani nářadí mimo teplotní rozsah předepsaný v těchto pokynech.** Nesprávné nabíjení nebo nabíjení při teplotě mimo předepsaný rozsah může poškodit akumulátor a zvýšit nebezpečí vzniku požáru.

6) Servis

- a) **Svěřte opravu svého elektrického nářadí pouze osobě s příslušnou kvalifikací, která bude používat výhradně originální náhradní díly.** Tím zajistíte bezpečný provoz tohoto elektrického nářadí.
- b) **Nikdy neopravujte poškozené akumulátorové moduly.** Opravy akumulátorů smí provádět výhradně výrobce nebo technik autorizovaného servisu.

SPECIÁLNÍ BEZPEČNOSTNÍ POKYNY

- Varování! Kompresor smí být používán pouze ve vhodných místnostech (s dobrým větráním a okolní teplotou od 0 °C do +40 °C).
- Neprovádějte na kompresoru žádné úkony, dokud nedojde k odpojení zástrčky napájecího kabelu od síťové zásuvky.

- Nesměřujte na kompresor proud vody nebo proud hořlavých kapalin.
 - Neumisťujte do blízkosti kompresoru žádné hořlavé předměty.
 - Když kompresor právě nepotřebujete, přepněte spínač (3) do polohy „0“ (vypnuto).
 - Nikdy nesměřujte proud stlačeného vzduchu na osoby nebo na zvířata.
 - Poznámka: Některé díly kompresoru, jako jsou hlava a průchozí potrubí, mohou dosahovat vysokých teplot. Nedotýkejte se těchto dílů, abyste se nepopálili.
 - Při přepravě kompresor nadzvedněte pomocí speciálních úchopů či rukojetí.
 - Děti a zvířata se musí nacházet v dostatečně bezpečné vzdálenosti od provozního prostoru tohoto stroje.
 - Používáte-li tento kompresor pro nástřik barev:
 - a) Nepracujte v uzavřeném prostoru ani v blízkosti otevřeného plamene.
 - b) Ujistěte se, zda je v prostředí, ve kterém budete pracovat, zajištěno dostatečné větrání.
 - c) Chraňte si nos a ústa speciální maskou.
 - Nepoužívejte kompresor, je-li poškozen jeho napájecí kabel nebo zástrčka, a požádejte autorizovaný servis o jejich výměnu za originální náhradní díl.
 - Je-li kompresor umístěn na povrchu, který je výše než podlaha, zajistěte, aby během provozu kompresoru nedošlo k jeho pádu.
 - Nevkládejte předměty nebo ruce do ochranných krytů, protože by mohlo dojít k způsobení zranění nebo k poškození kompresoru.
 - Nepoužívejte tento kompresor a jeho příslušenství jako nástroj proti osobám, předmětům nebo zvířatům, protože by mohlo dojít k způsobení vážných škod.
 - Pokud kompresor už nepoužíváte, vždy odpojte zástrčku napájecího kabelu ze síťové zásuvky.
 - Vždy se ujistěte, zda jsou pro stlačený vzduch používány speciální hadice na stlačený vzduch a zda jsou tyto hadice dimenzovány na stlačený vzduch generovaný tímto kompresorem. Je-li hadice poškozena, nepokoušejte se ji opravit.
- Plyny nebo páry nasávané do kompresoru nesmí obsahovat příměsi, které by mohly vést k požáru nebo výbuchu uvnitř kompresoru.
 - Při demontáži hadicové spojky vždy držte hadicovou spojku pevně, aby nedošlo ke zranění způsobenému odlétnutím hadice.
 - Při práci s ofukovací pistolí používejte ochranné brýle. Cizí tělesa a odfouknuté částice mohou snadno způsobit zranění.
 - Nemiřte ofukovací pistolí na lidi ani ji nepoužívejte k čištění oděvů, které máte na sobě.

Elektrická bezpečnost

Používáte-li elektrická zařízení, vždy dodržujte platné bezpečnostní předpisy, aby bylo omezeno riziko způsobení požáru, úrazu elektrickým proudem nebo zranění osob. Prostudujte si následující bezpečnostní pokyny.



Vždy zkontrolujte, zda se napájecí napětí sítě shoduje s napájecím napětím na výkonovém štítku.

Výměna kabelů nebo zástrček

Po výměně napájecích kabelů nebo zástrček staré kabely a zástrčky ihned zlikvidujte. Připojení zástrčky poškozeného kabelu k síťové zásuvce je velmi nebezpečné.

Použití prodlužovacích kabelů

Používejte pouze schválený prodlužovací kabel, který je vhodný pro příkon tohoto stroje. Minimální průřez vodiče je 1,5 mm². Používáte-li cívku s kabelem, vždy z cívky odviňte celý kabel.

2. INFORMACE O ZAŘÍZENÍ

Zamýšlené použití

Toto zařízení je určeno pro foukání vzduchu při úklidových pracích, při huštění pneumatik vozidel, pneumatik kol, nafukovacích matrací, sportovních míčů atd. pomocí dodaných adaptérů. Toto zařízení není určeno pro nepřetržitý provoz.

TECHNICKÉ ÚDAJE

| Model č. | CR501AC |
|--------------|------------|
| Napětí | 220-240 V~ |
| Frekvence | 50 Hz |
| Výkon motoru | 1100 W |

BEZPEČNOSTNÍ POKYNY PRO PRÁCI S PISTOLEMI NA STLAČENÝ VZDUCH

- Kompresor a hadice se mohou během používání velmi zahřát. Kontakt s nimi může způsobit popáleniny.

| | |
|----------------------------|-------------------|
| Provozní režim | S3 15 % - 10 min* |
| Volnoběžné otáčky | 3750/min |
| Třída ochrany IP | IP 20 |
| Vstup vzduchu | 180 l/min |
| Max. tlak na výstupu | 8,0 bar |
| Hmotnost | 4,9 kg |
| Hladina akustického výkonu | 97 dB(A) |

* S3 = přerušovaný provoz bez vlivu na spouštění zařízení. To znamená, že během časového intervalu 10 minut, je maximální provozní doba 15 % (1,5 minuty).

POPIS

Číslo v následujícím textu odkazují na obrázky na stranách 2 - 3.

1. Rychlospojka výstupu vzduchu
2. Prostor pro uložení příslušenství
3. Rukojeť pro přenášení
4. Spínač
5. Napájecí kabel
6. Rychlospojka
7. Konektor
8. Pistolová rukojeť
9. Ukazatel tlaku
10. Výpustný ventil
11. Spoušť
12. Prodloužená tryska
13. Spojka hadice
14. Vzduchová hadice
15. Jehla na míče
16. Malý univerzální adaptér
17. Adaptér na ventily
18. Univerzální adaptér
19. Adaptér trysky pro sadu trysek
20. Sada trysek

3. POUŽITÍ



Pouze pro použití v domácnosti.



Toto zařízení během provozu vibruje. Během provozu postavte kompresor vždy na gumové patky.

Připojení zařízení k elektrické zásuvce (obr. A)

1. Otevřete kryt a vyjměte z úložného prostoru (2) hadici na stlačený vzduch (14) a požadované příslušenství.

2. Ujistěte se, zda je spínač zapnuto/vypnuto (4) v poloze „0“ (vypnuto).
3. Připojte napájecí kabel (5) k elektrické zásuvce.



Před použitím tohoto zařízení se ujistěte, zda se napájecí napětí sítě shoduje s parametry uvedenými na štítku s technickými údaji. Dlouhé napájecí kabely, prodloužení, cívky s kabely atd., způsobují pokles napájecího napětí a mohou bránit spuštění motoru kompresoru.



Toto zařízení během provozu vibruje. Během provozu postavte kompresor vždy na gumové patky.

Vypínač (Obr. A)

- Chcete-li toto zařízení spustit, nastavte spínač zapnuto/vypnuto (4) do polohy „I“.
- Chcete-li toto zařízení vypnout, nastavte spínač zapnuto/vypnuto (4) do polohy „0“.



Toto zařízení není určeno pro nepřetržitý provoz. Použijte toto zařízení pouze následujícím způsobem, abyste zabránili přehřívání motoru: Během 10 minut provozu může být toto zařízení používáno pouze 15 % tohoto časového intervalu, což je 1,5 minuty. Během zbývajících doby tohoto intervalu (8,5 minuty) musí toto zařízení znovu vychladnout.

Připojení pistolové rukojeti (obr. B1)

- Zasuňte konektor (7) pistolové rukojeti (8) do rychlospojky (6) na hadici se stlačeným vzduchem. Při natlačení konektoru do rychlospojky dojde ke kliknutí, které upozorní na řádné zajištění pistolové rukojeti.

Odpojení pistolové rukojeti (Obr. B2)



Při uvolňování rychlospojky se ujistěte, zda vždy držíte tuto spojku, abyste se chránili před zraněním způsobeným odskakující hadicí.

- Stáhněte objímku na rychlospojce směrem dozadu (6) a odpojte nářadí.

Použití pistolové rukojeti pro čištění stlačeným vzduchem (obr. C)

Takto lze pistolovou rukojeť (8) používat k ofukování při různých aplikacích čištění a k čištění obtížně

dosažitelných míst. Spoušť (11) pistolové rukojeti (8) umožňuje přesnou regulaci průtoku vzduchu.

1. Vyšroubujte hadici (13) z pistolové rukojeti (8)
2. Nahradte ji prodlouženou tryskou (12).

Použití pistolové rukojeti pro huštění pneumatik vozidel (obr. C a D)

Tímto způsobem může být pistolová rukojeť (8) použita pro huštění pneumatik, nafukovacích matrací atd.

1. Není-li na pistolové rukojeti našroubována hadice (13), našroubujte ji na pistolovou rukojeť (8).
2. Připojte spojku přímo na ventilek předmětu, který chcete nahustit. Připojení: stiskněte páčku na hadici (13) a natlačte ji na ventilek předmětu, který chcete nahustit.
3. Nejprve zkontrolujte tlak objektu. Odečtěte tlak na manometru (9):
 - Příliš vysoký tlak: pro snížení tlaku stiskněte tlačítko (10) na levé straně.
 - Příliš nízký tlak: stiskněte spoušť (11) pro nahuštění objektu na požadovaný tlak.
4. Zkontrolujte tlak uvolněním spouště (11) a odečtením na manometru (9).
5. Odpojte pistolu pro huštění pneumatik.



Správný tlak vzduchu v pneumatikách vašeho vozidla si vyhledejte v servisním návodu.



Manometr (9) není kalibrován! Po nahuštění pneumatiky vždy zkontrolujte tlak vzduchu v pneumatice pomocí kalibrovaného ukazatele tlaku, například na benzínové stanici.



Riziko zranění! Neprovádějte huštění žádných výrobků na vyšší než maximálně povolený tlak. Mohlo by dojít k jejich prasknutí, k způsobení zranění nebo k různým poškozením.

Použití adaptérů pro huštění jiných položek (obr. C a D)

Tato pistolová rukojeť je dodávána s několika typy adaptérů (15-20) pro huštění různých předmětů. Tyto adaptéry (15-19) mohou být připojeny přímo na spojku (13). Chcete-li provést připojení, stiskněte páčku na spojce (13) a připojte adaptér (15-19), který chcete použít.

Jehla na míče (obr. C)

Jehla na míče (15) může být použita pro huštění míčů. Zatlačte jehlu (15) do ventilků míče a proveďte nahuštění míče podle výše uvedeného postupu.

Univerzální adaptér (obr. C)

Univerzální adaptéry (16,18) umožňuje snadné nafukování vzduchových matrací, plaveckých pomůcek atd. Zatlačte jeden z adaptérů (16,18) na ventil a proveďte nafouknutí podle výše uvedeného postupu.

Adaptér na ventilký (obr. C)

Adaptér na ventilký (17) umožňuje snadné huštění pneumatik kol. A funguje s ventilký typu „Slave-rand“, speciálními ventilký a univerzálními ventilký „Dunlop“. Natlačte adaptér (17) na ventilek a proveďte nahuštění podle výše uvedeného postupu.

Sada trysek (obr. C)

Trysky (20) umožňuje snadné nafukování vzduchových matrací, plaveckých pomůcek atd. Zatlačte jednu z trysek (20) na adaptér trysek (19) a proveďte nafouknutí podle výše uvedeného postupu.

4. ÚDRŽBA



Před prováděním jakéhokoliv úkonu údržby toto nářadí vždy odpojte od napájecího zdroje.

Pravidelně čistěte kryt zařízení jemným hadříkem, ideálně po každém použití. Ujistěte se, zda nejsou větrací otvory zaneseny prachem nebo jinými nečistotami. Odolnější nečistoty odstraňte pomocí jemného hadříku navlhčeného v mýdlové pění. Nepoužívejte žádná rozpouštědla, jako jsou benzín, líh, čpavek atd. Takové chemické látky mohou způsobit poškození dílů z umělé hmoty.

OCHRANA ŽIVOTNÍHO PROSTŘEDÍ



Poškozená a likvidovaná elektrická nebo elektronická zařízení musí být odevzdána ve sběrných dvorech, které jsou určeny pro tento účel.

Pouze pro země EU

Nevyhazujte elektrická nářadí do běžného domácího odpadu. Podle evropské směrnice 2012/19/EC týkající se likvidace elektrických a elektronických

kých zařízení a její implementace do vnitrostátního práva, musí být nepoužívána elektrická nářadí shromažďována odděleně a jejich likvidace musí být provedena tak, aby nedošlo k ohrožení životního prostředí.

ZÁRUKA

Výrobky VONROC jsou vyvíjeny v souladu s požadavky norem na nejvyšší kvalitu a je zaručeno, že po dobu platné záruky, která začíná běžet dnem původního nákupu, nebudou na těchto výrobcích žádné vady materiálu, ani vady způsobené špatným dílenským zpracováním. Dojde-li během tohoto období k závadě v důsledku vady materiálu nebo dílenského zpracování, kontaktujte přímo firmu VONROC.

Z této záruky jsou vyloučeny následující případy:

- Opravy nebo úpravy tohoto zařízení byly provedeny nebo byly provedeny pokusy o jejich provedení v neautorizovaných servisech;
- Běžné opotřebení;
- Toto zařízení bylo nesprávně použito, nevhodně použito nebo nebyla prováděna jeho správná údržba;
- Byly použity neoriginální náhradní díly.

Výše uvedené představuje jedinou záruku poskytovanou společností, ať už výslovnou nebo předpokládanou. Neexistují žádné další záruky, výslovné ani nebo předpokládané, které přesahují rámec zde uvedeného, včetně předpokládaných záruk prodejnosti a vhodnosti pro určitý účel. VONROC v žádném případě neodpovídá za jakékoliv náhodné nebo následné škody. Opravné prostředky prodejců se omezují výhradně na opravu nebo výměnu nevhovujících jednotek nebo dílů.

Na tomto výrobku a v tomto návodu mohou být prováděny změny. Technické údaje mohou být změněny bez předchozího upozornění.



**DECLARATION OF CONFORMITY
CR501AC - PORTABLE COMPRESSOR**

- (EN) We declare under our sole responsibility that this product is in conformity with directive 2011/65/EU of the European parliament and of the council of 8 June on the restriction of the use of certain hazardous substances in electrical and electronic equipment is in conformity and accordance with the following standards and regulations:
- (DE) Der Hersteller erklärt eigenverantwortlich, dass dieses Produkt der Direktive 2011/65/EU des Europäischen Parlaments und des Rats vom 8. Juni 2011 über die Einschränkung der Anwendung von bestimmten gefährlichen Stoffen in elektrischen und elektronischen Geräten entspricht. den folgenden Standards und Vorschriften entspricht:
- (NL) Wij verklaren onder onze volledige verantwoordelijkheid dat dit product voldoet aan de conform Richtlijn 2011/65/EU van het Europees Parlement en de Raad van 8 juni 2011 betreffende beperking van het gebruik van bepaalde gevaarlijke stoffen in elektrische en elektronische apparatuur en in overeenstemming is met de volgende standaarden en reguleringen:
- (FR) Nous déclarons sous notre seule responsabilité que ce produit est conforme aux standards et directives suivants: est conforme à la Directive 2011/65/EU du Parlement Européen et du Conseil du 8 juin 2011 concernant la limitation d'usage de certaines substances dangereuses dans l'équipement électrique et électronique.
- (ES) Declaramos bajo nuestra exclusiva responsabilidad que este producto cumple con las siguientes normas y estándares de funcionamiento: se encuentra conforme con la Directiva 2011/65/UE del Parlamento Europeo y del Consejo de 8 de junio de 2011 sobre la restricción del uso de determinadas sustancias peligrosas en los equipos eléctricos y electrónicos.
- (IT) Dichiaro, sotto la nostra responsabilità, che questo prodotto è conforme alle normative e ai regolamenti seguenti: è conforme alla Direttiva 2011/65/UE del Parlamento Europeo e del Consiglio dell'8 giugno 2011 sulla limitazione dell'uso di determinate sostanze pericolose nelle apparecchiature elettriche ed elettroniche.
- (SV) Vi garanterar på eget ansvar att denna produkt uppfyller och följer följande standarder och bestämmelser: uppfyller direktiv 2011/65/EU från Europeiska parlamentet och EG-rådet från den 8 juni 2011 om begränsningen av användning av farliga substanser i elektrisk och elektronisk utrustning.
- (DA) Vi erklærer under eget ansvar, at dette produkt er i overensstemmelse med følgende standarder og bestemmelser: er i overensstemmelse med direktiv 2011/65/EU fra Europa-Parlamentet og Rådet af 8. juni 2011 om begrænsning af anvendelsen af visse farlige stoffer i elektrisk og elektronisk udstyr.
- (PL) Deklarujemy na własną odpowiedzialność, że ten produkt spełnia wymogi zawarte w następujących normach i przepisach: jest zgodny z Dyrektywą 2011/65/UE Parlamentu Europejskiego i Rady z dnia 8 czerwca 2011 r. w sprawie ograniczenia stosowania niektórych niebezpiecznych substancji w sprzęcie elektrycznym i elektronicznym.
- (RO) Declaram prin aceasta cu răspunderea deplină că produsul acesta este în conformitate cu următoarele standarde sau directive: este în conformitate cu Directiva 2011/65/UE a Parlamentului European și a Consiliului din 8 iunie 2011 cu privire la interzicerea utilizării anumitor substanțe periculoase la echipamentele electrice și electronice.
- (PT) Declaramos, sob nossa exclusiva responsabilidade, que este produto está em conformidade com a diretiva 2011/65/UE do Parlamento Europeu e com a do conselho de 8 de Junho sobre a restrição da utilização de determinadas substâncias perigosas em equipamento eléctrico e electrónico está em conformidade e de acordo com as seguintes normas e regulamentações:
- (HU) Kizárólagos felelősségünk tudatában kijelentjük, hogy ez a termék megfelel az Európai Parlamentnek és a Tanácsnak az egyes veszélyes anyagok elektromos és elektronikus berendezésekből való alkalmazásának korlátozásáról szóló 2011/65/EU irányelvének (2011. június 8.), valamint a következő szabványoknak és jogszabályoknak:
- (CS) Prohlašujeme na svou výhradní odpovědnost, že tento výrobek splňuje požadavky směrnice 2011/65/EU Evropské rady a parlamentu ze dne 8. června, která se týká omezení používání určitých nebezpečných látek v elektrických a elektronických zařízeních, a splňuje také všechny požadavky následujících norem a předpisů:

**EN1012-1, EN 60335-1, EN 1012-1, EN55014-1, EN55014-2, EN61000-3-2, EN61000-3-3
2011/65/EU, 2006/42/EC, 2014/30/EU, 2012/19/EU**

Zwolle, 01-05-2022

H.G.F Rosberg
CEO

VONROC - Lingenstraat 6 • 8028 PM Zwolle • The Netherlands



VONROC®
BUILD YOUR FUTURE

©2022 VONROC
WWW.VONROC.COM

2205-11