



VONROC®

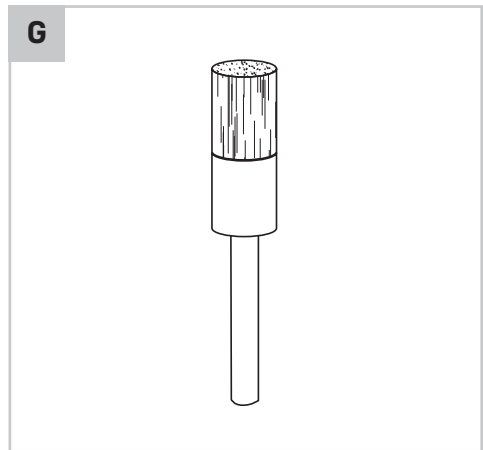
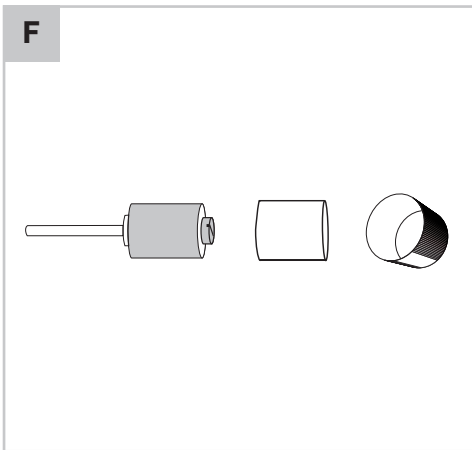
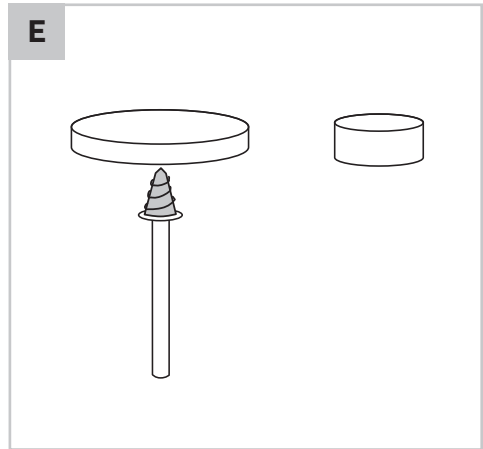
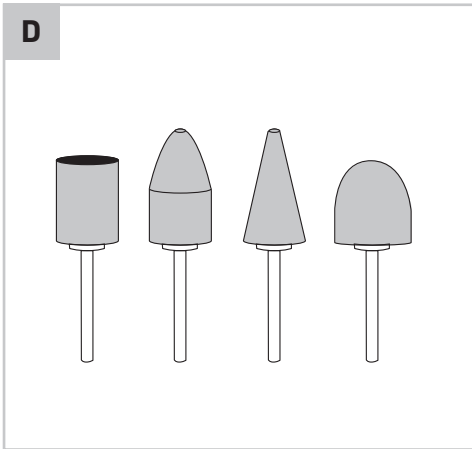
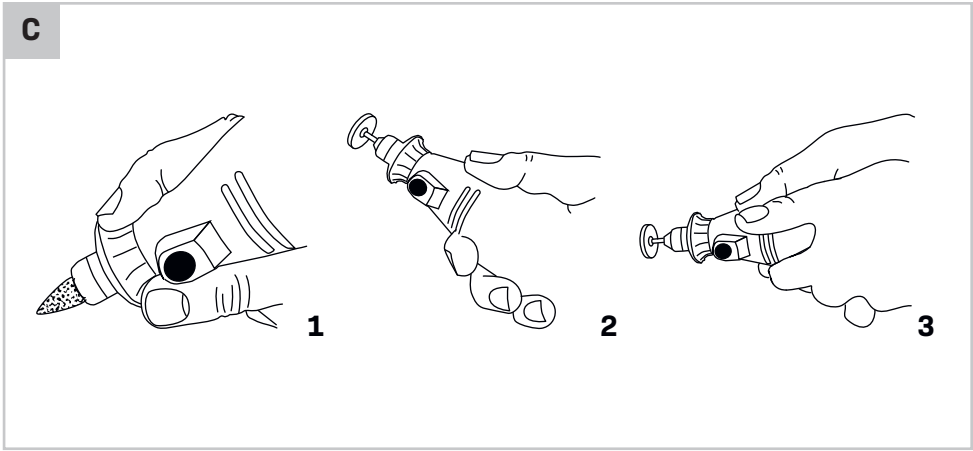
BUILD YOUR FUTURE

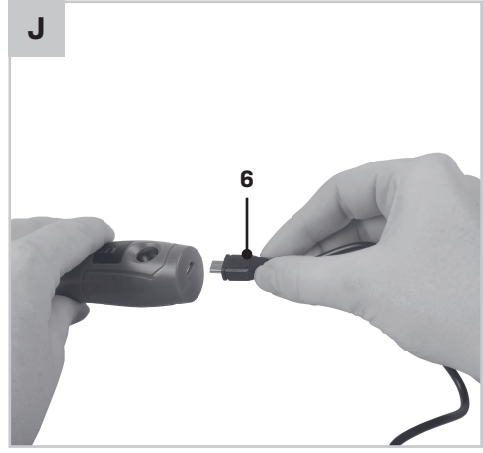
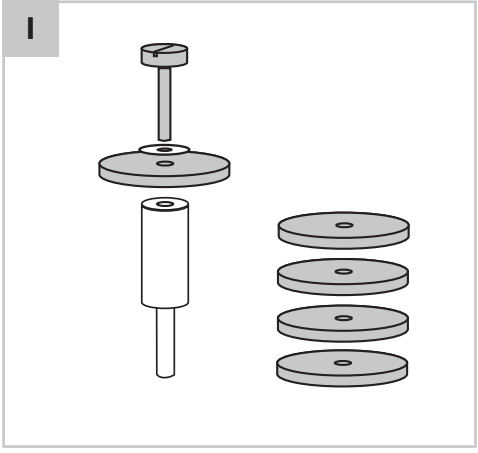
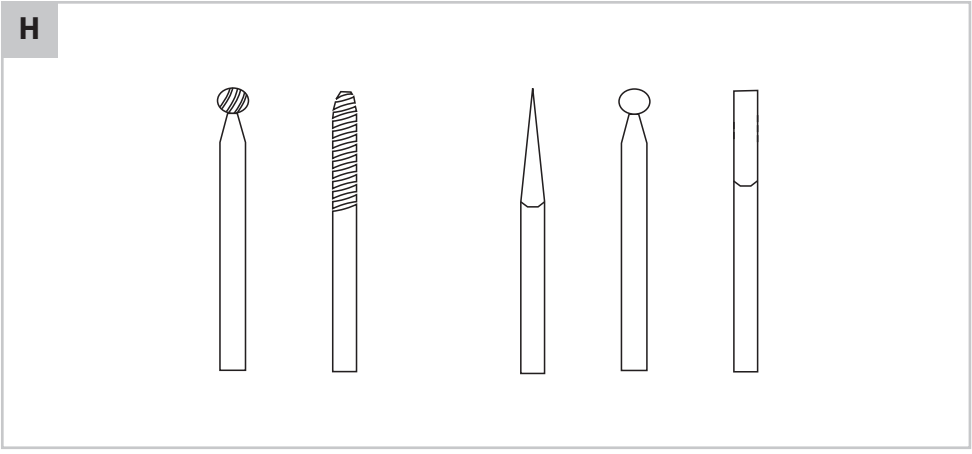
ROTARY MULTI TOOL CT503DC



EN	Original Instructions	05
DE	Übersetzung Der Originalbetriebsanleitung	12
NL	Vertaling van de oorspronkelijke gebruiksaanwijzing	21
FR	Traduction de la notice originale	30
ES	Traducción del manual original	39
IT	Traduzione delle istruzioni originali	47
SV	Översättning av bruksanvisning i original	56
DA	Oversættelse af den originale brugsanvisning	63
PL	Tłumaczenie instrukcji oryginalnej	71
RO	Traducere a instrucțiunilor originale	80
PT	Tradução do manual original	89
HU	Az eredeti utasítások fordítása	98
CS	Překlad původního návodu	106
TR	Orijinal talimatların çevirisi	115







1. SAFETY INSTRUCTIONS

Read the enclosed safety warnings, the additional safety warnings and the instructions. Failure to follow the safety warnings and the instructions may result in electric shock, fire and/or serious injury. Save the safety warnings and the instructions for future reference.

The following symbols are used in the user manual or on the product:



Denotes risk of personal injury, loss of life or damage to the tool in case of nonobservance of the instructions in this manual.



Risk of electric shock



Variable speed control



Indoor use only



Wear ear and eye protection



Wear a dust mask



Do not press the spindle lock button while the motor is running.



Class II machine - Double insulation - You don't need any earthed plug.



Max temperature 40°C



Do not throw the battery into fire



Do not throw the battery into water



Do not dispose of the product in unsuitable containers.



Separate collection for Li-ion battery.



The product is in accordance with the applicable safety standards in the European directives.

GENERAL POWER TOOL SAFETY WARNINGS



WARNING! Read all safety warnings and all instructions. Failure to follow the warnings and instructions may result in electric shock, fire and/or serious injury.

Save all warnings and instructions for future reference.

The term “power tool” in the warnings refers to your mains-operated (corded) power tool or battery-operated (cordless) power tool.

1) Work area safety

- a) **Keep the work area clean and well lit.** Cluttered or dark areas invite accidents.
- b) **Do not operate power tools in explosive atmospheres, such as in the presence of flammable liquids, gases or dust.** Power tools create sparks which may ignite the dust or fumes.
- c) **Keep children and bystanders away while operating a power tool.** Distractions can cause you to lose control.

2) Electrical safety

- a) **Power tool plugs must match the outlet. Never modify the plug in any way. Do not use any adapter plugs with earthed (grounded) power tools.** Unmodified plugs and matching outlets will reduce risk of electric shock.
- b) **Avoid body contact with earthed or grounded surfaces, such as pipes, radiators, ranges and refrigerators.** There is an increased risk of electric shock if your body is earthed or grounded.
- c) **Do not expose power tools to rain or wet conditions.** Water entering a power tool will increase the risk of electric shock.
- d) **Do not abuse the cord. Never use the cord for carrying, pulling or unplugging the power tool. Keep cord away from heat, oil, sharp edges or moving parts.** Damaged or entangled cords increase the risk of electric shock.
- e) **When operating a power tool outdoors, use an extension cord suitable for outdoor use.** Use of a cord suitable for outdoor use reduces the risk of electric shock.
- f) **If operating a power tool in a damp location is unavoidable, use a residual current device (RCD) protected supply.** Use of an RCD reduces the risk of electric shock.

3) Personal safety

- a) **Stay alert, watch what you are doing and use common sense when operating a power tool. Do not use a power tool while you are tired or under the influence of drugs, alcohol or medication.** A moment of inattention while operating power tools may result in serious personal injury.

- b) **Use personal protective equipment. Always wear eye protection.** Protective equipment such as dust mask, non-skid safety shoes, hard hat, or hearing protection used for appropriate conditions will reduce personal injuries.
 - c) **Prevent unintentional starting. Ensure the switch is in the off-position before connecting to power source and/or battery pack, picking up or carrying the tool.** Carrying power tools with your finger on the switch or energising power tools that have the switch on invites accidents.
 - d) **Remove any adjusting key or wrench before turning the power tool on.** A wrench or a key left attached to a rotating part of the power tool may result in personal injury.
 - e) **Do not overreach. Keep proper footing and balance at all times.** This enables better control of the power tool in unexpected situations.
 - f) **Dress properly. Do not wear loose clothing or jewellery. Keep your hair, clothing and gloves away from moving parts.** Loose clothes, jewellery or long hair can be caught in moving parts.
 - g) **If devices are provided for the connection of dust extraction and collection facilities, ensure these are connected and properly used.** Use of dust collection can reduce dust related hazards.
 - h) **Do not let familiarity gained from frequent use of tools allow you to become complacent and ignore tool safety principles.** A careless action can cause severe injury within a fraction of a second.
- 4) Power tool use and care**
- a) **Do not force the power tool. Use the correct power tool for your application.** The correct power tool will do the job better and safer at the rate for which it was designed.
 - b) **Do not use the power tool if the switch does not turn it on and off.** Any power tool that cannot be controlled with the switch is dangerous and must be repaired.
 - c) **Disconnect the plug from the power source and/or the battery pack from the power tool before making any adjustments, changing accessories, or storing power tools.** Such preventive safety measures reduce the risk of starting the power tool accidentally.
 - d) **Store idle power tools out of the reach of children and do not allow persons unfamiliar with the power tool or these instructions to operate the power tool.** Power tools are dangerous in the hands of untrained users.
 - e) **Maintain power tools. Check for misalignment or binding of moving parts, breakage of parts and any other condition that may affect the power tool's operation. If damaged, have the power tool repaired before use.** Many accidents are caused by poorly maintained power tools.
 - f) **Keep cutting tools sharp and clean.** Properly maintained cutting tools with sharp cutting edges are less likely to bind and are easier to control.
 - g) **Use the power tool, accessories and tool bits etc. in accordance with these instructions, taking into account the working conditions and the work to be performed.** Use of the power tool for operations different from those intended could result in a hazardous situation.
 - h) **Keep handles and grasping surfaces dry, clean and free from oil and grease.** Slippery handles and grasping surfaces do not allow for safe handling and control of the tool in unexpected situations.
- 5) Battery tool use and care**
- a) **Recharge only with the charger specified by the manufacturer.** A charger that is suitable for one type of battery pack may create a risk of fire when used with another battery pack.
 - b) **Use power tools only with specifically designed battery packs.** Use of any other battery packs may create a risk of injury and fire.
 - c) **When battery pack is not in use, keep it away from other metal objects, like paper clips, coins, keys, nails, screws or other small metal objects that can make a connection from one terminal to another.** Shorting the battery terminals together may cause burns or a fire.
 - d) **Under abusive conditions, liquid may be ejected from the battery; avoid contact. If contact accidentally occurs, flush with water. If liquid contacts eyes, additionally seek medical help.** Liquid ejected from the battery may cause irritation or burns.
 - e) **Do not use a battery pack or tool that is damaged or modified.** Damaged or modified batteries may exhibit unpredictable behaviour resulting in fire, explosion or risk of injury.
 - f) **Do not expose a battery pack or tool to fire or excessive temperature.** Exposure to fire or temperature above 130 °C may cause explosion. NOTE The temperature „130 °C“ can be replaced by the temperature „265 °F“.
 - g) **Follow all charging instructions and do not charge the battery pack or tool outside the**

temperature range specified in the instructions. Charging improperly or at temperatures outside the specified range may damage the battery and increase the risk of fire.

6) Service

- a) **Have your power tool serviced by a qualified repair person using only identical replacement parts.** This will ensure that the safety of the power tool is maintained.
- b) **Never service damaged battery packs.** Service of battery packs should only be performed by the manufacturer or authorized service providers.

SPECIFIC SAFETY INSTRUCTIONS

- a) **This power tool is intended to function as a grinder, sander, wire brush, polisher, carving or cut-off tool. Read all safety warnings, instructions, illustrations and specifications provided with this power tool.** Failure to follow all instructions listed below may result in electric shock, fire and/or serious injury.
- c) **Do not use accessories which are not specifically designed and recommended by the tool manufacturer.** Just because the accessory can be attached to your power tool, it does not assure safe operation.
- d) **The rated speed of the grinding accessories must be at least equal to the maximum speed marked on the power tool.** Grinding accessories running faster than their rated speed can break and fly apart.
- e) **The outside diameter and the thickness of your accessory must be within the capacity rating of your power tool.** Incorrectly sized accessories cannot be adequately controlled.
- f) **The arbour size of wheels, sanding drums or any other accessory must properly fit the spindle or collet of the power tool.** Accessories that do not match the mounting hardware of the power tool will run out of balance, vibrate excessively and can lead to loss of control of the power tool.
- g) **Mandrel mounted wheels, sanding drums, cutters or other accessories must be fully inserted into the collet or chuck.** If the mandrel is insufficiently held and/or the overhang of the wheel is too long, the mounted wheel may become loose and be ejected at high velocity.
- h) **Do not use a damaged accessory. Before each use inspect the accessory such as abrasive wheels for chips and cracks, sanding drum for cracks, tear or excess wear, wire brush for loose or cracked wires. If power tool or accessory is dropped, inspect for damage or install an undamaged accessory. After inspecting and installing an accessory, position yourself and bystanders away from the plane of the rotating accessory and run the power tool at maximum no-load speed for one minute.** Damaged accessories will normally break apart during this test time.
- i) **Wear personal protective equipment. Depending on application, use face shield, safety goggles or safety glasses. As appropriate, wear dust mask, hearing protectors, gloves and workshop apron capable of stopping small abrasive or workpiece fragments.** The eye protection must be capable of stopping flying debris generated by various operations. The dust mask or respirator must be capable of filtering particles generated by your operation. Prolonged exposure to high intensity noise may cause hearing loss.
- j) **Keep bystanders a safe distance away from work area. Anyone entering the work area must wear personal protective equipment.** Fragments of workpiece or of a broken accessory may fly away and cause injury beyond immediate area of operation.
- k) **Hold power tool by insulated gripping surfaces only, when performing an operation where the cutting accessory may contact hidden wiring.** Cutting accessory contacting a "live" wire may make exposed metal parts of the power tool "live" and could give the operator an electric shock.
- l) **Always hold the tool firmly in your hand(s) during the start-up.** The reaction torque of the motor, as it accelerates to full speed, can cause the tool to twist.
- m) **Use clamps to support workpiece whenever practical. Never hold a small workpiece in one hand and the tool in the other hand while in use.** Clamping a small workpiece allows you to use your hand(s) to control the tool. Round material such as dowel rods, pipes or tubing have a tendency to roll while being cut, and may cause the bit to bind or jump toward you.
- n) **Position the cord clear of the spinning accessory.** If you lose control, the cord may be cut or snagged and your hand or arm may be pulled into the spinning accessory.
- o) **Never lay the power tool down until the accessory has come to a complete stop.** The spinning accessory may grab the surface and pull the power tool out of your control.

- p) **After changing the bits or making any adjustments, make sure the collet nut, chuck or any other adjustment devices are securely tightened.** Loose adjustment devices can unexpectedly shift, causing loss of control, loose rotating components will be violently thrown.
- q) **Do not run the power tool while carrying it at your side.** Accidental contact with the spinning accessory could snag your clothing, pulling the accessory into your body.
- r) **Regularly clean the power tool's air vents.** The motor's fan will draw the dust inside the housing and excessive accumulation of powdered metal may cause electrical hazards.
- s) **Do not operate the power tool near flammable materials.** Sparks could ignite these materials.
- t) **Do not use accessories that require liquid coolants.** Using water or other liquid coolants may result in electrocution or shock.

Kickback and related warnings

Kickback is a sudden reaction to a pinched or snagged rotating wheel, sanding band, brush or any other accessory. Pinching or snagging causes rapid stalling of the rotating accessory which in turn causes the uncontrolled power tool to be forced in the direction opposite of the accessory's rotation. For example, if an abrasive wheel is snagged or pinched by the workpiece, the edge of the wheel that is entering into the pinch point can dig into the surface of the material causing the wheel to climb out or kick out. The wheel may either jump toward or away from the operator, depending on direction of the wheel's movement at the point of pinching. Abrasive wheels may also break under these conditions.

Kickback is the result of power tool misuse and/or incorrect operating procedures or conditions and can be avoided by taking proper precautions as given below.

- a) **Maintain a firm grip on the power tool and position your body and arm to allow you to resist kickback forces.** The operator can control kickback forces, if proper precautions are taken.
- b) **Use special care when working corners, sharp edges etc. Avoid bouncing and snagging the accessory.** Corners, sharp edges or bouncing have a tendency to snag the rotating accessory and cause loss of control or kickback.
- c) **Do not attach a toothed saw blade.** Such blades create frequent kickback and loss of control.
- d) **Always feed the bit into the material in the same direction as the cutting edge is exiting from the**

material (which is the same direction as the chips are thrown). Feeding the tool in the wrong direction causes the cutting edge of the bit to climb out of the work and pull the tool in the direction of this feed.

- e) **When using rotary files, cut-off wheels, high-speed cutters or tungsten carbide cutters, always have the work securely clamped.** These wheels will grab if they become slightly canted in the groove, and can kickback. When a cut-off wheel grabs, the wheel itself usually breaks. When a rotary file, high-speed cutter or tungsten carbide cutter grabs, it may jump from the groove and you could lose control of the tool.

ADDITIONAL SAFETY INSTRUCTIONS FOR GRINDING AND CUTTING-OFF OPERATIONS

Safety warnings specific for grinding and abrasive cutting-off operations:

- a) **Use only wheel types that are recommended for your power tool and only for recommended applications. For example: do not grind with the side of a cut-off wheel.** Abrasive cut-off wheels are intended for peripheral grinding, side forces applied to these wheels may cause them to shatter.
- b) **For threaded abrasive cones and plugs use only undamaged wheel mandrels with an unrelieved shoulder flange that are of correct size and length.** Proper mandrels will reduce the possibility of breakage.
- c) **Do not "jam" a cut-off wheel or apply excessive pressure. Do not attempt to make an excessive depth of cut.** Overstressing the wheel increases the loading and susceptibility to twisting or snagging of the wheel in the cut and the possibility of kickback or wheel breakage.
- d) **Do not position your hand in line with and behind the rotating wheel.** When the wheel, at the point of operation, is moving away from your hand, the possible kickback may propel the spinning wheel and the power tool directly at you.
- e) **When wheel is pinched, snagged or when interrupting a cut for any reason, switch off the power tool and hold the power tool motionless until the wheel comes to a complete stop. Never attempt to remove the cut-off wheel from the cut while the wheel is in motion otherwise kickback may occur.** Investigate and take corrective action to eliminate the cause of wheel pinching or snagging.
- f) **Do not restart the cutting operation in the workpiece. Let the wheel reach full speed and**

carefully re-enter the cut. The wheel may bind, walk up or kickback if the power tool is restarted in the workpiece.

- g) **Support panels or any oversized workpiece to minimize the risk of wheel pinching and kick-back.** Large workpieces tend to sag under their own weight. Supports must be placed under the workpiece near the line of cut and near the edge of the workpiece on both sides of the wheel.
- h) **Use extra caution when making a “pocket cut” into existing walls or other blind areas.** The protruding wheel may cut gas or water pipes, electrical wiring or objects that can cause kick-back.

ADDITIONAL SAFETY INSTRUCTIONS FOR WIRE BRUSHING OPERATIONS

Safety warnings specific for wire brushing operations:

- a) **Be aware that wire bristles are thrown by the brush even during ordinary operation. Do not overstress the wires by applying excessive load to the brush.** The wire bristles can easily penetrate light clothing and/or skin.
- b) **Allow brushes to run at operating speed for at least one minute before using them. During this time no one is to stand in front or in line with the brush.** Loose bristles or wires will be discharged during the run-in time.
- c) **Direct the discharge of the spinning wire brush away from you.** Small particles and tiny wire fragments may be discharged at high velocity during the use of these brushes and may become imbedded in your skin.

FOR THE CHARGER

Intended use

Charge only rechargeable battery packs. Other types of batteries may burst causing personal injury and damage.

- a) **The appliance is not to be used by persons (including children) with reduced physical, sensory or mental capabilities, or lack of experience and knowledge, unless they have been given supervision or instruction**
- b) **Children being supervised not to play with the appliance**
- c) **Do not recharging non-rechargeable batteries!**
- d) **During charging, batteries must be placed in the well ventilated area!**
- e) **Integrated batteries may only be removed for disposal by qualified personnel.** Opening the housing shell can destroy the power tool.

To remove the battery from the power tool, press the On/Off switch (5) until the battery is fully discharged. Unscrew the screws on the housing and remove the housing shell in order to remove the battery. To prevent a short circuit, disconnect the connectors on the battery one at a time and then isolate the poles. Even when fully discharged, the battery still contains a residual capacity, which can be released in case of a short circuit.

Electrical safety

When using electric machines always observe the safety regulations applicable in your country to reduce the risk of fire, electric shock and personal injury. Read the following safety instructions.



Always check that the power supply corresponds to the voltage on the rating plate.



Your machine is double insulated, therefore no earthwire is required.

2. MACHINE INFORMATION

Intended use

This power tool is intended to function as a grinder, sander, wire brush, polisher, carving or cut-off tool. This combitool is great for editing of materials like wood, plastic, stone, shell aluminium, brass and steel. Always use the proper accessories and speed setting.

TECHNICAL SPECIFICATIONS

Model No.	CT503DC
Rechargeable Battery	4V Li-ion 600mAh
Battery charging time	2 hours
Maximum disc diameter	Ø35 mm
Maximum drill diameter	Ø2.3 mm
No load speed	5000/10000/15000/min
Capacity of spring chuck	2.3 mm
Weight	0.1 kg
Lpa (Sound pressure level)	79+3 dB(A)
Lwa (Sound power level)	90+3 dB(A)
Vibration	1.177+1.5 m/s ²

Vibration level

The vibration emission level stated in this instruction manual has been measured in accordance with a standardised test given in EN 60745; it may

be used to compare one tool with another and as a preliminary assessment of exposure to vibration when using the tool for the applications mentioned.

- using the tool for different applications, or with different or poorly maintained accessories, may significantly increase the exposure level.
- the times when the tool is switched off or when it is running but not actually doing the job, may significantly reduce the exposure level.

Protect yourself against the effects of vibration by maintaining the tool and its accessories, keeping your hands warm, and organizing your work patterns.

DESCRIPTION

The numbers in the following text refer to the pictures on page 2-4

1. Collet chuck
2. Spindle lock
3. On/off button and speed adjustment button
4. Speed indication lights
5. Charger indication light
6. Charger cable

3. ASSEMBLY



Always make sure the machine is turned off before mounting an accessory.



Warning! Change accessories by inserting an accessory into the collet (or chuck) as far possible to minimize run out and unbalance.

Assembly of accessories (Fig. B)

Press the spindle lock button (2) and hold it. Unscrew the collet chuck (1) by hand. Put the accessory in its place. Press the spindle lock button (2) when fastening the collet chuck (1).



Do not press the spindle lock button while the motor is running.

4. OPERATION

Switch on the machine by pressing the on/off button (3). By pressing the on/off button (3) a second time, the machine will adjust to speed 2, press for the third time and the machine will adjust to speed 3. By pressing the on/off button (3) for a fourth time, the machine switches off. Do not put the machine down when the motor is still running. Do not place the machine on a dusty surface. Dust particles may enter the mechanism.



Too high a load at a low speed of the Combitool can burn out the engine.

The battery must be charged before first use.

Charging the device (with the charger)

- Plug the charger cable (6) (included) into an adapter (not included).
- Plug the charger cable (6) into the machine. (fig. J)
- Plug the charger plug into an electrical outlet and wait for a while. The charger indication light (5) will lighten up and show the charging status.

LED	Charger status
Red	Battery charging in progress
Green	Battery charging finished, battery fully charged

- After the battery is fully charged remove the charger plug from the outlet and remove the small plug from the device.

Holding and guiding the tool (Fig. C)

- For precision work (engraving): pencil grip (C1)
- For rough work (grinding): paring knife hand grip (C2)
- When you need to keep the tool parallel to the work surface (e.g. using a cut-off wheel): 2 hand golf grip (C3)

Optimal use of the combi tool and its accessories (Fig. A)

For optimal use of the accessories use the correct speed. You can refer to the overview "Recommended speed setting" below to determine the correct speed, based on the material being worked on and the type of accessory being used. This overview enables you to select both correct accessory and the optimum speed.

The 3 speeds indication lights (4) are equal to the numbers 1, 2 and 3 in the overview "Recommend-

end speed setting". Ultimately, the best way to determine the correct speed for work on any material is to practice on a piece of scrap.

RECOMMENDED SPEED SETTING

Grinding stones (Fig. D)

Material	Speed setting
Stone, shell	1-2
Steel	2-3
Aluminium, brass	2
Plastic	1-2

Felt wheels and tip (Fig. E)

The felt wheels or tip should be screwed on the mandrel.

Material	Speed setting
Steel	2-3
Aluminium, brass	2
Plastic	2-3

Sanding bands and disc (sanding disc not included) (Fig. F)

Material	Speed setting
Wood	3
Steel	1-2
Aluminium, brass	2
Plastic	1-2

Bristle brush (Fig. G)

Material	Speed setting
Stone, shell	2
Aluminium, brass	2

High speed cutter, Diamond wheel point and Drill (Fig. H)

Material	Speed setting
Stone, shell	3
Steel	2
Aluminium, brass	3
Plastic	1-2

Abrasive disc (Disc not included) (Fig. I)

Material	Speed setting
Steel	2-3
Aluminium, brass	2
Plastic	1-2

5. MAINTENANCE



Make sure that the machine is not live when carrying out maintenance work on the motor.

Keep the ventilation slots of the machine clean to prevent overheating of the engine. Regularly clean the machine housing with a soft cloth, preferably after each use. Keep the ventilation slots free from dust and dirt. If the dirt does not come off use a soft cloth moistened with soapy water. Never use solvents such as petrol, alcohol, ammonia water, etc. These solvents may damage the plastic parts. Please clean the tool immediately after use.

ENVIRONMENT



Damaged and/or disposed of electrical or electronic devices must be dropped off at recycling stations intended for that purpose.

Only for EC countries

Do not dispose of power tools into domestic waste. According to the European Guideline 2012/19/ EU for Waste Electrical and Electronic Equipment and its implementation into national right, power tools that are no longer usable must be collected separately and disposed of in an environmentally friendly way.

WARRANTY

VONROC products are developed to the highest quality standards and are guaranteed free of defects in both materials and workmanship for the period lawfully stipulated starting from the date of original purchase. Should the product develop any failure during this period due to defective material and/or workmanship then contact VONROC directly. The following circumstances are excluded from this guarantee:

- Repairs and or alterations have been made or attempted to the machine by unauthorized service centers;

- Normal wear and tear;
- The tool has been abused, misused or improperly maintained;
- Non-original spare parts have been used.

This constitutes the sole warranty made by company either expressed or implied. There are no other warranties expressed or implied which extend beyond the face hereof, herein, including the implied warranties of merchantability and fitness for a particular purpose. In no event shall VONROC be liable for any incidental or consequential damages. The dealers remedies shall be limited to repair or replacement of nonconforming units or parts.

The product and the user manual are subject to change. Specifications can be changed without further notice.

1. SICHERHEITSANWEISUNGEN

Lesen Sie die beiliegenden Sicherheitsanweisungen, die zusätzlichen Sicherheitsanweisungen sowie diese Bedienungsanleitung sorgfältig durch. Bei Nichtbeachten der Sicherheitsanweisungen und der Bedienungsanleitung kann es zu einem Stromschlag, einem Brand und/oder schweren Verletzungen kommen. Bewahren Sie die Sicherheitsanweisungen und die Bedienungsanleitung zur künftigen Bezugnahme sicher auf.

Folgende Symbole werden im Benutzerhandbuch oder auf dem Produkt verwendet:



Lebens- und Verletzungsgefahr und Gefahr von Beschädigungen am Werkzeug/Gerät bei Nichteinhaltung der Anweisungen in dieser Bedienungsanleitung.



Gefahr eines Stromschlags.



Die Drehzahl der Maschine kann elektronisch eingestellt werden.



Nur zur Benutzung in Innenräumen.



Schutzbrille und Gehörschutz tragen



Tragen Sie eine Staubschutzmaske.



Nicht auf den Spindelarretierungsknopf drücken, während der Motor läuft.



Werkzeug/Gerät der Schutzklasse II - schutzisoliert - kein Schutzkontaktanschluss erforderlich.



Höchsttemperatur 40°C.



Batterien/Akkus nicht in offene Feuer werfen.



Batterien/Akkus nicht ins Wasser werfen.



Produkt vorschriftsmäßig entsorgen, nicht über den Hausmüll.



Der Li-Ionen-Akku muss separat der Wertstoffsammlung zugeführt werden.



Das Produkt entspricht den geltenden Sicherheitsnormen der europäischen Richtlinien.

ALLGEMEINE SICHERHEITSHINWEISE



ACHTUNG! Lesen Sie alle Sicherheitshinweise und Anweisungen. Fehler bei der Einhaltung der nachstehend aufgeführten Anweisungen können elektrischen Schlag, Brand und/oder schwere Verletzungen verursachen.

Bewahren Sie diese Anweisungen gut auf. Der nachfolgend verwendete Begriff „Elektrowerkzeug“ bezieht sich auf netzbetriebene Elektrowerkzeuge (mit Netzkabel) und auf akkubetriebene Elektrowerkzeuge (ohne Netzkabel).

1) Arbeitsplatz

- Halten Sie Ihren Arbeitsbereich sauber und aufgeräumt.** Unordnung und unbeleuchtete Arbeitsbereiche können zu Unfällen führen.
- Arbeiten Sie mit dem Gerät nicht in explosionsgefährdeter Umgebung, in der sich brennbare Flüssigkeiten, Gase oder Staub befinden.** Elektrowerkzeuge erzeugen Funken, die den Staub oder die Dämpfe entzünden können.
- Halten Sie Kinder und andere Personen während der Benutzung des Elektrowerkzeugs fern.** Bei Ablenkung können Sie die Kontrolle über das Gerät verlieren.

2) Elektrische Sicherheit

- Der Anschlussstecker des Gerätes muss in die Steckdose passen. Der Netzstecker darf in keener Weise verändert werden. Verwenden Sie keine Adapterstecker gemeinsam mit schutzgeerdeten Geräten. Unveränderte Netzstecker** und passende Steckdosen verringern das Risiko eines elektrischen Schlages.
- Vermeiden Sie Körperkontakt mit geerdeten Oberflächen, wie von Rohren, Heizungen, Herden und Kühlschränken.** Es besteht ein erhöhtes Risiko durch elektrischen Schlag, wenn Ihr Körper geerdet ist.
- Halten Sie das Gerät von Regen oder Nässe fern.** Das Eindringen von Wasser in ein Elektrogerät erhöht das Risiko eines elektrischen Schlages.
- Zweckentfremden Sie das Netzkabel nicht, um das Gerät zu tragen, aufzuhängen oder um den Netzstecker aus der Steckdose zu ziehen. Halten Sie das Netzkabel fern von Hitze, Öl, scharfen Kanten oder sich bewegenden Geräteteilen.**

Beschädigte oder verwickelte Netzkabel erhöhen das Risiko eines elektrischen Schlages.

- Wenn Sie mit einem Elektrowerkzeug im Freien arbeiten, verwenden Sie nur Verlängerungskabel, die auch für den Außenbereich zugelassen sind.** Die Anwendung eines für den Außenbereich geeigneten Verlängerungskabels verringert das Risiko eines elektrischen Schlages
- Wenn sich Arbeiten mit einem Elektrowerkzeug in feuchten Umgebungen nicht vermeiden lassen, verwenden Sie eine Stromversorgung mit einer Fehlerstrom-Schutzeinrichtung (RCD).** Durch die Verwendung einer RCD wird die Gefahr eines elektrischen Schlages verringert.

3) Sicherheit von Personen

- Seien Sie aufmerksam. Achten Sie darauf, was Sie tun, und gehen Sie mit Vernunft an die Arbeit mit einem Elektrowerkzeug. Benutzen Sie das Gerät nicht, wenn Sie müde sind oder unter dem Einfluss von Drogen, Alkohol oder Medikamenten stehen.** Ein Moment der Unachtsamkeit beim Gebrauch des Gerätes kann zu ernsthaften Verletzungen führen.
- Tragen Sie persönliche Schutzausrüstung und immer eine Schutzbrille.** Das Tragen persönlicher Schutzausrüstung, wie Staubmaske, rutschfeste Sicherheitsschuhe, Schutzhelm oder Gehörschutz, je nach Art und Einsatz des Elektrowerkzeuges, verringert das Risiko von Verletzungen.
- Vermeiden Sie eine unbeabsichtigte Inbetriebnahme. Vergewissern Sie sich, dass der Schalter in der Position „AUS(0)“ ist, bevor Sie den Netzstecker in die Steckdose stecken.** Wenn Sie beim Tragen des Geräts den Finger am Schalter haben oder das Gerät eingeschaltet an die Stromversorgung anschließen, kann dies zu Unfällen führen.
- Entfernen Sie Einstellwerkzeuge oder Schraubenschlüssel, bevor Sie das Gerät einschalten.** Ein Werkzeug oder Schlüssel, der sich in einem drehenden Geräteteil befindet, kann zu Verletzungen führen.
- Überschätzen Sie sich nicht. Sorgen Sie für **einen sicheren Stand und halten Sie jederzeit das Gleichgewicht.** Dadurch können Sie das Gerät in unerwarteten Situationen besser kontrollieren.
- Tragen Sie geeignete Kleidung. Tragen Sie keine weite Kleidung oder Schmuck. Halten Sie Haare, Kleidung und Handschuhe fern von sich**

- bewegenden Teilen.** Lockere Kleidung, Schmuck oder lange Haare können von sich bewegenden Teilen erfasst werden.
- g) **Wenn Staubabsaug- und -auffangeinrichtungen montiert werden können, vergewissern Sie sich, dass diese angeschlossen sind und richtig verwendet werden.** Das Verwenden dieser Einrichtungen verringert Gefährdungen durch Staub.
- h) **Achten Sie darauf, nicht durch häufigen Gebrauch von Werkzeugen nachlässig zu werden und die Prinzipien zum sicheren Umgang mit den Werkzeugen zu ignorieren.** Eine unachtsame Handlung kann innerhalb von Sekundenbruchteilen schwere Verletzungen verursachen.
- 4) Sorgfältiger Umgang und Gebrauch von Elektrowerkzeugen**
- a) Überlasten Sie das Gerät nicht. Verwenden **Sie für Ihre Arbeit das dafür bestimmte Elektrowerkzeug.** Mit dem passenden Elektrowerkzeug arbeiten Sie besser und sicherer im angegebenen Leistungsbereich.
- b) **Benutzen Sie kein Elektrowerkzeug, dessen Schalter defekt ist.** Ein Elektrowerkzeug, das sich nicht mehr ein- oder ausschalten lässt, ist gefährlich und muss repariert werden.
- c) **Ziehen Sie den Netzstecker aus der Steckdose, bevor Sie Geräteeinstellungen vornehmen, Zubehörteile wechseln oder das Gerät weglegen.** Diese Vorsichtsmaßnahme verhindert den unbeabsichtigten Start des Geräts.
- d) **Bewahren Sie unbenutzte Elektrowerkzeuge außerhalb der Reichweite von Kindern auf. Lassen Sie Personen das Gerät nicht benutzen, die mit diesem nicht vertraut sind oder diese Anweisungen nicht gelesen haben.** Elektrowerkzeuge sind gefährlich, wenn Sie von unerfahrenen Personen benutzt werden.
- e) **Pflegen Sie das Gerät mit Sorgfalt. Kontrollieren Sie, ob bewegliche Geräteteile einwandfrei funktionieren und nicht klemmen, ob Teile gebrochen oder so beschädigt sind, dass die Funktion des Gerätes beeinträchtigt ist. Lassen Sie beschädigte Teile vor dem Einsatz des Gerätes reparieren.** Viele Unfälle haben ihre Ursache in schlecht gewarteten Elektrowerkzeugen.
- f) **Halten Sie Schneidwerkzeuge scharf und sauber.** Sorgfältig gepflegte Schneidwerkzeuge mit scharfen Schneidkanten verklemmen sich weniger und sind leichter zu führen.
- g) **Verwenden Sie Elektrowerkzeug, Zubehör, Einsatzwerkzeuge usw. entsprechend diesen Anweisungen und so, wie es für diesen speziellen Gerätetyp vorgeschrieben ist. Berücksichtigen Sie dabei die Arbeitsbedingungen und die auszuführende Tätigkeit.** Der Gebrauch von Elektrowerkzeugen für andere als die vorgesehenen Anwendungen kann zu gefährlichen Situationen führen.
- h) **Halten Sie Griffe und Greifflächen immer trocken, sauber und frei von Öl und Fett.** Rutschige Griffe und Greifflächen verhindern in unerwarteten Situationen den sicheren Umgang mit dem Werkzeug und die richtige Kontrolle darüber.
- 5) Umgang mit Akkuwerkzeugen**
- a) **Zum Laden ist ausschließlich das vom Hersteller angegebene Ladegerät zu verwenden.** Ein Ladegerät, das für eine Art von Akku geeignet ist, kann bei Verwendung mit einer anderen Art von Akku Brandgefahr verursachen.
- b) **Elektrowerkzeuge dürfen nur mit speziell dazu bestimmten Akkus verwendet werden,** da bei der Verwendung anderer Akkus Verletzungs- und Brandgefahr entstehen kann.
- c) **Wenn der Akku nicht in Gebrauch ist, ist er von Büroklammern, Münzen, Schlüssel, Nägel, Schrauben und anderen kleinen Metallobjekten fernzuhalten, die eine Verbindung zwischen den Polen bilden können.** Kurzschließen der Pole kann Brand oder Verbrennungen verursachen.
- d) **Bei falschem Umgang mit dem Akku kann Flüssigkeit aus dem Akku austreten. Die Berührung dieser Flüssigkeit ist zu vermeiden. Bei Berührung den betroffenen Körperteil mit Wasser abspülen. Bei Berührung der Flüssigkeit mit den Augen muss zusätzlich ärztliche Hilfe gerufen werden.** Die Akkuflüssigkeit kann Reizungen oder Verbrennungen verursachen.
- e) **Verwenden Sie keinesfalls Akkus und Werkzeuge, die beschädigt oder verändert wurden.** Beschädigte oder veränderte Akkus können ein unvorhersehbares Verhalten zeigen, das zu Feuer, Explosionen oder Verletzungsgefahren führt.
- f) **Setzen Sie Akkus oder Werkzeuge keinem Feuer oder übermäßigen Temperaturen aus.** Feuer oder Temperaturen über 130 °C können zu Explosionen führen. HINWEIS: Die Temperaturangabe „130 °C“ kann durch die Temperaturangabe „265 °F“ ersetzt werden.
- g) **Beachten Sie alle Hinweise zum Aufladen und laden Sie Akkus oder Werkzeuge nicht**

außerhalb der in der Anleitung angegebenen Temperaturbereiche auf. Unsachgemäßes Aufladen oder Aufladen bei Temperaturen außerhalb des angegebenen Bereichs kann den Akku schädigen und die Brandgefahr erhöhen.

6) Service

- a) **Lassen Sie Ihre Werkzeuge durch einen qualifizierten Reparaturtechniker ausschließlich mit identischen Ersatzteilen warten.** So lässt sich eine gleich bleibende Sicherheit des Elektrowerkzeugs gewährleisten.
- b) **Beschädigte Akkus dürfen keinesfalls gewartet werden.** Die Wartung von Akkus darf nur vom Hersteller oder von Vertragswerkstätten durchgeführt werden.

ZUSÄTZLICHE SICHERHEITSVORSCHRIFTEN

- a) **Dieses Elektrowerkzeug ist zur Verwendung als Schleifmaschine, Sandschleifer, Drahtbürste, Poliermaschine, Schnitz- oder Schneidwerkzeug vorgesehen. Beachten Sie alle Sicherheitshinweise, Anweisungen, Abbildungen und technischen Angaben, die zu diesem Elektrowerkzeug zur Verfügung gestellt werden.** Die Nichtbeachtung der folgenden Anweisungen kann einen elektrischen Schlag, Brand und/oder schwere Verletzungen zur Folge haben.
- c) **Verwenden Sie nur Zubehörteile, die den Spezifikationen entsprechen und vom Werkzeughersteller empfohlen wurden.** Die Tatsache, dass ein Zubehörteil an dem Elektrowerkzeug angebracht werden KANN, gewährleistet noch keinen sicheren Betrieb.
- d) **Die Nenndrehzahl von Schleifzubehör muss mindestens gleich der maximalen Drehzahl sein, die auf dem Elektrowerkzeug angegeben ist.** Schleifzubehör, das mit einer höheren Drehzahl als seiner Nenndrehzahl betrieben wird, kann auseinanderbrechen und die Teile können umherfliegen.
- e) **Der Außendurchmesser und die Dicke von Zubehörteilen müssen innerhalb der Nennwerte Ihres Elektrowerkzeugs liegen.** Zubehör in der falschen Größe wird möglicherweise nicht ausreichend kontrolliert.
- f) **Die Dorngröße von Schleifscheiben oder walzen und von jeglichem anderen Zubehör muss genau derjenigen der Spindel und der Spannzange des Elektrowerkzeugs entsprechen.** Zubehör, dessen Größe nicht genau den Befestigungs-

vorrichtungen des Elektrowerkzeugs entspricht, läuft unrund, vibriert übermäßig und kann zum Verlust der Kontrolle über das Werkzeug führen.

- g) **Auf einem Dorn montierte Schleifscheiben oder -walzen, Fräser oder anderes Zubehör muss vollständig in die Spannzange oder das Spannfutter eingesetzt werden.** Wenn der Dorn nur unzureichend befestigt ist und/oder der Überhang des Zubehörteils zu lang ist, kann es sich lösen und mit hoher Geschwindigkeit weggeschleudert werden.
- h) **Verwenden Sie kein beschädigtes Zubehör. Überprüfen Sie das Zubehör vor jedem Gebrauch: z.B. Schleifscheiben auf Splitter und Risse, Schleifwalzen auf Risse oder übermäßigen Verschleiß, Drahtbürsten auf lose oder gebrochene Drähte.** Wenn ein Elektrowerkzeug oder Zubehörteil fallen gelassen wurde, untersuchen Sie es auf Schäden oder bringen Sie ein unbeschädigtes Zubehörteil an. Nach der Überprüfung und der Befestigung von Zubehörteilen achten Sie darauf, dass Sie und andere Personen nicht im Bereich des rotierenden Zubehörs stehen, und lassen Sie das Elektrowerkzeug bei maximaler Leerlaufdrehzahl für eine Minute laufen. Beschädigte Zubehörteile werden in der Regel während dieses Testlaufs auseinanderbrechen.
- i) **Tragen Sie persönliche Schutzausrüstung. Je nach Anwendung sind Gesichtsschutz oder Schutzbrille zu tragen. Je nach Anwendung sind Staubmaske, Gehörschutz, Handschuhe und Arbeitsschürze zu tragen, die Schleifpartikel oder Werkstückfragmente vom Benutzer fernhalten.** Der Augenschutz muss dazu geeignet sein, umherfliegende Teilchen abzuhalten, die bei verschiedenen Arbeitsverfahren erzeugt werden. Die Staubmaske oder das Atemgerät muss Teilchen filtern können, die durch die Arbeit erzeugt werden. Eine längere Belastung durch laute Geräusche kann zu Gehörschäden führen.
- j) **Andere Personen müssen einen sicheren Abstand zum Arbeitsbereich einhalten. Jede Person, die den Arbeitsbereich betritt, muss persönliche Schutzausrüstung tragen.** Splitter von Werkstücken oder von gebrochenen Zubehörteilen können weggeschleudert werden und daher auch außerhalb des eigentlichen Arbeitsbereichs Verletzungen verursachen.
- k) **Halten Sie das Gerät nur an den isolierten Griffflächen fest, wenn eine Arbeit durchgeführt**

wird, bei denen das Schneidwerkzeug eine verborgene Stromleitung berühren könnte.

Schneidzubehör, das ein "spannungsführendes" Kabel berührt, kann die freiliegenden Metallteile des Elektrowerkzeugs "spannungsführend" machen, wodurch der Benutzer einen Stromschlag erleiden kann.

- l) **Halten Sie das Werkzeug beim Anlaufen immer fest in der Hand bzw. in den Händen.** Das Reaktionsmoment des Motors, während dieser auf volle Geschwindigkeit beschleunigt, kann dazu führen, dass sich das Werkzeug verdreht.
- m) **Verwenden Sie wann immer möglich Klammern, um das Werkstück zu unterstützen. Halten Sie während der Arbeit niemals ein kleines Werkstück mit der einen Hand und das Werkzeug mit der anderen Hand fest.** Wenn Sie kleine Werkstücke einspannen, können Sie das Werkzeug mit den Händen steuern. Runde Werkstücke wie Dübelstangen, Rohre oder Schläuche neigen beim Schneiden zum Wegrollen, wodurch sich das Bit festsetzen oder wegspringen kann.
- n) **Halten Sie das Netzkabel von dem rotierenden Zubehör fern.** Wenn Sie die Kontrolle verlieren, kann das Kabel sonst von der Maschine durchtrennt oder erfasst werden, wodurch Ihre Hand oder Ihr Arm in das sich drehende Zubehör gezogen werden.
- o) **Legen Sie das Elektrowerkzeug niemals ab, bevor das Zubehör nicht zum Stillstand gekommen ist.** Das rotierende Zubehör kann sonst in die jeweilige Oberfläche eindringen und Sie verlieren die Kontrolle über das Elektrowerkzeug.
- p) **Nach dem Austauschen von Bits oder dem Vornehmen von Einstellungen ist sicherzustellen, dass die Spannzangenmutter, das Spannfutter und jede andere Justiervorrichtung fest angezogen ist.** Lockere Justiervorrichtungen können sich unerwartet verschieben, was zu Kontrollverlust führen kann, sowie dazu, dass gelockerte rotierende Komponenten umhergeschleudert werden.
- q) **Lassen Sie das Elektrowerkzeug nicht laufen, während Sie es tragen.** Bei versehentlichem Kontakt mit rotierendem Zubehör könnte Ihre Kleidung daran hängen bleiben, wodurch das Zubehörteil in Richtung Ihres Körpers gezogen wird, was zu Verletzungen führen kann.
- r) **Reinigen Sie regelmäßig die Luftdüsen des Elektrowerkzeugs.** Der Lüfter des Motors zieht Staub in das Innere des Gehäuses, und eine

übermäßige Ansammlung von Metallpulver kann elektrische Gefahren verursachen.

- s) **Betreiben Sie das Elektrowerkzeug nicht in der Nähe brennbarer Materialien.** Funken können diese Materialien entzünden.
- t) **Verwenden Sie keine Zubehörteile, für die flüssige Kühlmittel erforderlich sind.** Die Verwendung von Wasser oder anderen flüssigen Kühlmitteln kann zu einem Stromschlag führen.

Rückschlag und damit verbundene Warnhinweise

Ein Rückschlag ist die plötzliche Reaktion auf eine rotierende Schleifscheibe, ein Schleifband, eine Bürste oder anderes Zubehör, das eingeklemmt wird oder stecken bleibt. Das Verklemmen oder Steckenbleiben bewirkt ein schnelles Stehenbleiben des rotierenden Zubehörs, was wiederum bewirkt, dass sich das Elektrowerkzeug unkontrolliert entgegen der Drehrichtung des Zubehörteils bewegt. Wenn beispielsweise eine Schleifscheibe im Werkstück eingeklemmt wird oder stecken bleibt, gräbt sich der Rand der Scheibe, der in den Klemmpunkt eindringt, praktisch in die Oberfläche des Werkstücks ein, was dazu führt, dass sich die Scheibe ungewollt plötzlich wieder herausbewegt. Die Scheibe springt dann entweder in Richtung Bediener oder von ihm weg, abhängig davon, in welche Richtung sie sich zum Zeitpunkt des Einklemmens gerade bewegt hat. Schleifscheiben können unter solchen Bedingungen auch zerbrechen. Ein Rückschlag ist das Ergebnis davon, dass ein Elektrowerkzeug falsch verwendet wurde bzw. dass mit falschen Arbeitsverfahren oder unter falschen Bedingungen gearbeitet wurde, die wie nachfolgend erläutert durch geeignete Vorsichtsmaßnahmen vermeidbar sind.

- a) **Halten Sie das Elektrowerkzeug immer gut fest und halten Sie Körper und Arm so, dass Sie Rückschläge standhalten können.** Der Bediener kann die Rückschlagkräfte kontrollieren, wenn entsprechende Vorsichtsmaßnahmen getroffen wurden.
- b) **Besondere Vorsicht gilt an Ecken, scharfen Kanten usw. Vermeiden Sie, dass das Zubehör plötzlich abbrillt oder stecken bleibt.** An Ecken, scharfen Kanten oder beim Abprallen kann das rotierende Zubehör stecken bleiben, was zu Kontrollverlust oder Rückschlag führt.
- c) **Verwenden Sie keine gezahnten Sägeblätter.** Solche Klingen erzeugen häufig einen Rückschlag und den Verlust der Kontrolle.

- d) **Führen Sie das Bit immer in die gleiche Richtung durch das Material, in der die Schneidkante aus dem Material austritt (d.h. in die gleiche Richtung, in die dann die Späne ausgeworfen werden).** Wird das Werkzeug in die falsche Richtung bewegt, "klettert" die Schneidkante des Bits aus dem Werkstück heraus und zieht das Werkzeug in Richtung dieser Bewegung.
- e) **Sogen Sie bei Verwendung von rotierenden Feilen, Trennscheiben, Hochgeschwindigkeits- oder Wolframcarbid- Scheiben dafür, dass das Werkstück immer sicher eingespannt ist.** Solche Scheiben fressen sich fest, wenn sie sich in der Schnittlinie leicht verkanten, was zu einem Rückschlag führen kann. Wenn eine Trennscheibe stecken bleibt, bricht die Scheibe in der Regel durch. Wenn eine rotierende Feile, eine Hochgeschwindigkeits- oder Wolframcarbid-Scheibe stecken bleibt, kann sie aus der Schnittlinie springen und Sie können die Kontrolle über das Werkzeug verlieren.

ZUSÄTZLICHE SICHERHEITSHINWEISE BEIM SCHLEIFEN UND TRENNEN **Spezifische Sicherheitshinweise beim Schleifen und Trennschleifen:**

- a) **Verwenden Sie nur Schleifscheibentypen, die für Ihr Elektrowerkzeug empfohlen werden und nur solche, die für Ihre Anwendung empfohlen wurden. Zum Beispiel:** Schleifen Sie nicht mit der Seite einer Trennscheibe. Scheiben zum Trennschleifen sind zum Umfangsschleifen vorgesehen, wenn auf sie Seitenkräfte angewandt werden, können diese Scheiben zerbrechen.
- b) **Verwenden Sie für Gewindeschleifkegel und -einsätze nur unbeschädigte Dorne mit einem einfürmigen Schulterflansch in der richtigen Größe und Länge.** Die richtigen Dorne reduzieren die Möglichkeit eines Bruchs.
- c) **Achten Sie darauf, auf eine Trennscheibe keinen übermäßigen Druck anzuwenden. Versuchen Sie nicht, eine übermäßige Schnitttiefe zu erreichen.** Eine Überlastung der Scheibe erhöht die Beanspruchung und die Möglichkeit, dass sie sich verdreht oder in der Schnittlinie hängen bleibt, was einen Rückschlag oder einen Bruch der Scheibe zur Folge haben kann.
- d) **Halten Sie Ihre Hand nicht in einer Linie mit und hinter der sich drehenden Scheibe.** Wenn die Scheibe sich während der Arbeit von Ihrer Hand wegbewegt, kann der mögliche Rückschlag die rotierende Scheibe und das Elektrowerkzeug direkt in Richtung des Bedieners treiben.

- e) **Wenn eine Scheibe eingeklemmt oder stecken geblieben ist oder der Schnitt aus irgendeinem Grund unterbrochen wird, schalten Sie das Elektrowerkzeug aus und halten Sie es bewegungslos, bis die Scheibe vollständig stillsteht. Versuchen Sie niemals, die Trennscheibe aus dem Schnitt zu entfernen, während sie sich noch bewegt, da es ansonsten zu einem Rückschlag kommen kann.** Untersuchen Sie die Situation und ergreifen Sie Korrekturmaßnahmen, um die Ursache für das Einklemmen oder Steckenbleiben zu beseitigen.
- f) **Starten Sie den Schneidvorgang nicht neu, während sich die Scheibe noch im Werkstück befindet. Lassen Sie die Scheibe erst volle Geschwindigkeit erreichen und setzen Sie sie dann vorsichtig wieder in die Schnittlinie ein.** Die Scheibe kann stecken bleiben, sich nach oben bewegen oder zu einem Rückschlag führen, wenn das Elektrowerkzeug neu gestartet wird, während die Scheibe noch im Werkstück steckt.
- g) **Stützen Sie Platten oder große Werkstücke ab, um das Risiko zu minimieren, dass die Scheibe eingeklemmt wird und einen Rückschlag verursacht.** Große Werkstücke können unter ihrem eigenen Gewicht durchhängen. Daher müssen unter dem Werkstück in der Nähe der Schnittlinie und in der Nähe der Werkstückkante auf beiden Seiten der Scheibe Stützen angebracht werden.
- h) **Seien Sie besonders vorsichtig, wenn Sie einen "Taschen-Schnitt" in bestehende Wände oder andere nicht einsehbare Bereiche vornehmen wollen.** Die vorstehende Scheibe kann Gas-, Wasser- oder Stromleitungen durchtrennen oder andere Objekte berühren, die zu einem Rückschlag führen können.

ZUSÄTZLICHE SICHERHEITSANWEISUNGEN FÜR DAS ABBÜRSTEN MIT DRAHTBÜRSTE **Spezifische Sicherheitsanweisungen für das Abbürsten mit Drahtbürste:**

- a) **Achten Sie darauf, dass die Drahtborsten sogar während des Normalbetriebs durch die Bürste gedreht werden. Überbeanspruchen Sie die Drähte nicht, indem Sie übermäßige Kraft auf die Bürste ausüben.** Die Drahtborsten können leichte Kleidung und/oder die Haut problemlos durchdringen.
- b) **Lassen Sie die Bürsten mindestens eine Minute vor deren Nutzung bei Betriebsdrehzahl laufen.**

Während dieser Zeit darf niemand vor oder neben der Bürste stehen. Lose Borsten oder Drähte werden während der Einlaufzeit entladen.

- c) **Richten Sie die Entladung der drehenden Drahtbürste von Ihrem Körper weg.** Kleine Partikel und winzige Drahtfragmente können bei hoher Geschwindigkeit während der Nutzung dieser Bürsten entladen und in Ihrer Haut eingeschlossen werden.

FÜR DAS LADEGERÄT

Verwendungszweck

Nur für das Laden von wiederaufladbaren Li-Ionen-Akkus. Andere Arten von Akkus können platzen und zu Verletzungen und Schäden führen.

- a) **Das Gerät darf nicht von Personen (einschließlich Kindern) mit eingeschränkten körperlichen, sensorischen bzw. geistigen Fähigkeiten, mangelnder Erfahrung bzw. fehlendem Wissen verwendet werden, wenn diese nicht beaufsichtigt werden oder eine Einweisung erhalten haben**
- b) **Kinder sollten beaufsichtigt werden, um sicherzustellen, dass sie nicht mit dem Gerät spielen.**
- c) **Nicht wiederaufladbare Batterien dürfen nicht aufgeladen werden!**
- d) **Während des Ladens müssen sich die Akkus in einem gut belüfteten Raum befinden!**
- e) **Integrierte Akkus dürfen nur zur Entsorgung von Fachpersonal entnommen werden.**
Durch das Öffnen der Gehäuseschale kann das Elektrowerkzeug zerstört werden. Um den Akku aus dem Elektrowerkzeug zu entnehmen, betätigen Sie den Ein-/Ausschalter (5) so lange, bis der Akku vollständig entladen ist. Drehen Sie die Schrauben am Gehäuse heraus und nehmen Sie die Gehäuseschale ab, um den Akku zu entnehmen. Um einen Kurzschluss zu verhindern, trennen Sie die Anschlüsse am Akku einzeln nacheinander und isolieren Sie anschließend die Pole. Auch bei vollständiger Entladung ist noch eine Restkapazität im Akku enthalten, die im Kurzschlussfall freigesetzt werden kann.

Elektrische Sicherheit

Beachten beim Benutzen von Elektromaschinen immer die örtlichen Sicherheitsvorschriften bezüglich Feuerrisiko, Elektroschock und Verletzung. Lesen Sie den folgenden Hinweisen.



Überprüfen Sie immer, ob Ihre Netzspannung der des Typenschildes entspricht.



Gerät der Schutzklasse II – schutzisoliert – kein Schutzkontakt erforderlich.

2. ANGABEN ZUM WERKZEUG

Verwendungszweck

Dieses Elektrowerkzeug dient als Schleifmaschine, Sandschleifer, Drahtbürste, Poliermaschine, Schnitz- oder Schnittwerkzeug. Dieses Kombi-Werkzeug eignet sich hervorragend für die Bearbeitung von Materialien, wie Holz, Kunststoff, Stein, Aluminiumschale, Messing und Stahl. Verwenden Sie immer das entsprechende Zubehör und die entsprechenden Drehzahleinstellungen.

TECHNISCHE DATEN

Modellnummer	CT503DC
Aufladbarer Akku	4V Li-ion 600mAh
Akku-Ladedauer	2 Std
Maximaler scheidendurchmesser	Ø35 mm
Maximaler Bohrer-Durchmesser	Ø2,3 mm
Drehzahl unbelastet	5000/10000/15000/min
Kapazität Spannange	2,3 mm
Gewicht	0,1 kg
Lpa (Schalldruck)	79+3 dB(A)
Lwa (Schalleistung)	90+3 dB(A)
Vibrationswert	1,177+1,5 m/s ²

Vibrationsstufe

Die im dieser Bedienungsanleitung angegebene Vibrationsemissionsstufe wurde mit einem standardisierten Test gemäß EN 60745 gemessen; Sie kann verwendet werden, um ein Werkzeug mit einem anderen zu vergleichen und als vorläufige Beurteilung der Vibrationsexposition bei Verwendung des Werkzeugs für die angegebenen Anwendungszwecke.

- die Verwendung des Werkzeugs für andere Anwendungen oder mit anderem oder schlecht gewartetem Zubehör kann die Expositionsstufe erheblich erhöhen.
- Zeiten, zu denen das Werkzeug ausgeschaltet ist, oder wenn es läuft aber eigentlich nicht

eingesetzt wird, können die Expositionsstufe erheblich verringern.

Schützen Sie sich vor den Auswirkungen der Vibration durch Wartung des Werkzeugs und des Zubehörs, halten Sie Ihre Hände warm und organisieren Sie Ihren Arbeitsablauf.

BESCHREIBUNG

Die Ziffern im nachstehenden Text verweisen auf die Abbildungen auf Seite 2-4

1. Spannzange
2. Spindelverriegelung
3. An-/Ausschalter und Drehzahleinstelltaste
4. Drehzahl-Lichtanzeige
5. Ladegerät-Lichtanzeige
6. Ladekabel

3. MONTAGE



Stellen Sie immer sicher, dass die Maschine ausgeschaltet ist, bevor Sie ein Zubehörteil befestigen.



Achtung! Wechseln Sie Zusatzgeräte, indem Sie ein Zusatzgerät in den Einspannring (oder das Futter) so weit wie möglich einführen, um ungleichmäßigen Lauf oder ein Herausrutschen zu verhindern.

Montage des Zubehörs (Abb. B)

Halten Sie die Spindelverriegelungstaste (2) gedrückt. Schrauben Sie das Spannzangenfutter (1) von Hand ab. Platzieren Sie das Zubehör. Drücken Sie die Spindelverriegelungstaste (2), während das Spannzangenfutter (1) befestigt wird.



Nicht auf den Spindelarretierknopf drücken, während der Motor läuft.

4. BETRIEB

Schalten Sie die Maschine durch Drücken der Ein-/Austaste (3) ein. Beim zweiten Drücken der Ein-/Austaste (3) wird die Maschine auf Drehzahl 2 eingestellt, beim dritten Drücken wird sie auf Drehzahl 3 eingestellt. Beim vierten Drücken der Ein-/Austaste (3) wird die Maschine ausgeschaltet. Legen Sie die Maschine nicht hin, wenn der Motor noch läuft. Legen Sie die Maschine nicht auf

staubigen Oberflächen ab. Anderenfalls können Staubteilchen in den Mechanismus gelangen.



Zu hohe Belastung bei zu niedriger Geschwindigkeit des Combitoool kann zum Verschmoren des Motors führen.

Der Akku muss vor der erstmaligen Benutzung aufgeladen werden.

Aufladen des Geräts (mit dem Ladegerät)

- Stecken Sie das Ladekabel (6) (mitgeliefert) in ein Netzteil (nicht mitgeliefert).
- Stecken Sie das Ladekabel (6) in die Maschine. (Abb. J)
- Verbinden Sie den Ladestecker mit einer Steckdose und warten Sie einen Moment. Das Anzeigelicht am Ladegerät (5) leuchtet auf und zeigt den Ladestatus an.

LED	Status Ladegerät
Rot	Akku wird geladen
Grün	Laden des Akkus abgeschlossen, Akku vollständig aufgeladen

- Nachdem die Batterie vollständig geladen ist, den Ladestecker aus der Steckdose entfernen und den kleinen Stecker aus dem Gerät entfernen.

Halten und Führen des Werkzeugs (Abb. C)

- Für Präzisionsarbeit (Gravur): Bleistiftgriff (C1)
- Für grobe Arbeit (Schleifen): Handgriff des Schälmessers (C2)
- Wenn Sie das Werkzeug parallel zur Arbeitsfläche halten müssen (z. B. mit einer Trennscheibe): Zweihändiger Golfgriff (C3)

Optimale Nutzung des Kombi-Werkzeugs und seines Zubehörs (Abb. A)

Verwenden Sie zur optimalen Nutzung des Zubehörs die richtige Drehzahl. Sie können Bezug auf die Übersicht „Empfohlene Drehzahleinstellung“ unten nehmen, um die richtige Drehzahl basierend auf dem zu bearbeitenden Material und dem zu verwendenden Zubehörtyp zu bestimmen. Diese Übersicht ermöglicht Ihnen sowohl die richtige Auswahl des Zubehörs als auch der optimalen Drehzahl. Die 3 Drehzahl-Lichtanzeigen (4) entsprechen den Ziffern, 1, 2 und 3 in der Übersicht „Empfohlene Drehzahleinstellung“. Letztlich ist die beste Mög-

lichkeit zur Bestimmung der richtigen Drehzahl für die Arbeit an einem Material die Übung an einem Abfallstück.

EMPFOHLENE DREHZAHLEINSTELLUNG

Schleifsteine (Abb. D)

Material	Geschwindigkeit
Stein, Muschel	1-2
Stahl	2-3
Aluminium, Messing	2
Kunststoff	1-2

Filzscheiben und Tip (Abb. E)

The felt wheels or tip should be screwed on the mandrel.

Material	Geschwindigkeit
Stahl	2-3
Aluminium, Messing	2
Kunststoff	2-3

Schleifringe und -scheiben (Schleifscheibe nicht im Lieferumfang enthalten) (Abb. F)

Material	Geschwindigkeit
Holz	3
Stahl	1-2
Aluminium, Messing	2
Kunststoff	1-2

Borstenpinsel (Abb. G)

Material	Geschwindigkeit
Stein, Muschel	2
Aluminium, Messing	2

Fräser, Gravierpunkt und Bohrer (Abb. H)

Material	Geschwindigkeit
Stein, Muschel	3
Stahl	2
Aluminium, Messing	3
Kunststoff	1-2

Schleifscheibe (nicht mitgeliefert) (Abb. I)

Material	Geschwindigkeit
Stahl	2-3
Aluminium, Messing	2
Kunststoff	1-2

5. WARTUNG



Trennen Sie die Maschine vom Netz, wenn Sie am Mechanismus Wartungsarbeiten ausführen müssen.

Reinigen Sie das Maschinengehäuse regelmäßig mit einem weichen Tuch, vorzugsweise nach jedem Einsatz. Halten Sie die Lüfterslitze frei von Staub und Schmutz. Entfernen Sie hartnäckigen Schmutz mit einem weichen Tuch, angefeuchtet mit Seifenwasser. Verwenden Sie keine Lösungsmittel wie Benzin, Alkohol, Ammonia, usw. Derartige Stoffe beschädigen die Kunststoffteile.

UMWELT



Schadhafte und/oder entsorgte elektrische oder elektronische Geräte müssen an den dafür vorgesehenen Recycling-Stellen abgegeben werden.

Nur für EG-Länder

Entsorgen Sie Elektrowerkzeuge nicht über den Hausmüll. Entsprechend der Europäischen Richtlinie 2012/19/EU für Elektro- und Elektronikschrott sowie der Einführung in das nationale Recht müssen Elektrowerkzeuge, die nicht mehr im Gebrauch sind, getrennt gesammelt und umweltfreundlich entsorgt werden.

GARANTIE

VONROC-Produkte werden nach den höchsten Qualitätsstandards entwickelt und sind für den gesetzlich festgelegten Zeitraum, ausgehend von dem ursprünglichen Kaufdatum, garantiert frei von Fehlern in Material und Ausführung. Sollte das Produkt in diesem Zeitraum aufgrund von Material- und/oder Verarbeitungsmängeln Fehler aufweisen, wenden Sie sich bitte direkt an VONROC Kundendienst.

Folgende Umstände sind von der Garantie ausgeschlossen:

- Reparaturen und oder Änderungen an der Maschine, die durch nicht-autorisierte Service-stellen vorgenommen oder versucht wurden.
- Normale Abnutzung und Verschleiß.
- Das Werkzeug wurde übermäßig beansprucht, missbräuchlich verwendet oder falsch gewartet.
- Es wurden keine Original-Ersatzteile verwendet.

Dies stellt die einzige Gewährleistung des Unternehmens dar, sowohl ausdrücklich als auch implizit. Es gibt keine anderen ausdrücklichen oder stillschweigenden Garantien, die über das hier Genannte hinausgehen, einschließlich der stillschweigenden Garantien der Marktgängigkeit oder Eignung für einen bestimmten Zweck. In keinem Fall ist VONROC haftbar für Neben- oder Folgeschäden. Die Rechtsmittel des Händlers beschränken sich auf Reparatur oder Ersatz fehlerhafter Einheiten oder Teile.

Am Produkt und am Benutzerhandbuch können Änderungen vorgenommen werden. Die technischen Daten können sich ohne Vorankündigung ändern.

1. VEILIGHEIDSVOORSCHRIFTEN

Lees de bijgesloten veiligheidswaarschuwingen, de aanvullende veiligheidswaarschuwingen en de instructies. Het niet opvolgen van de veiligheidswaarschuwingen kan elektrische schokken, brand en/of ernstig letsel tot gevolg hebben. Bewaar de veiligheidswaarschuwingen en instructies als naslagwerk voor later.

De volgende symbolen worden gebruikt in de gebruikershandleiding of op het product:



Gevaar voor lichamelijk letsel, overlijden of schade aan de machine wanneer de instructies in deze handleiding niet worden opgevolgd.



Gevaar voor elektrische schokken



Het toerental van de machine kan elektronisch worden ingesteld.



Alleen binnenshuis gebruiken



Draag oog- en gehoorbescherming



Draag bij gebruik van deze machine een stofmasker.



Druk de asvergrendelingsknop niet in terwijl de motor draait.



Klasse II apparaat - Dubbel geïsoleerd - Een geaarde stekker is niet noodzakelijk.



Max. temperatuur 40°C



Accu niet verbranden



Accu niet in het water gooien



Werp het product niet weg in ongeschikte containers.



Aparte inzameling van Li-ion-accu's.



Het product is in overeenstemming met de van toepassing zijnde veiligheidsnormen in de Europese richtlijnen.

ALGEMENE VEILIGHEIDSVORSCHRIFTEN

WAARSCHUWING! Lees alle veiligheids-waarschuwingen en alle instructies. Het niet opvolgen van onderstaande instructies kan leiden tot een elektrische schok, brand en/of ernstig persoonlijk letsel.

Bewaar deze instructies.

De term "elektrisch gereedschap" in onderstaande waarschuwingen heeft betrekking op zowel apparatuur met een vaste elektriciteitskabel als op apparatuur met een accu (draadloze apparatuur).

1) Werkgebied

- a) **Zorg voor een opgeruimde en goed verlichte werkomgeving.** Rommelige en donkere werkomgevingen leiden tot ongelukken
- b) **Gebruik elektrisch gereedschap nooit in een omgeving waar explosiegevaar bestaat, zoals in de nabijheid van ontvlambare vloeistoffen, gassen, dampen of andere stoffen.** Elektrische gereedschappen kunnen vonken veroorzaken, die deze stoffen tot ontbranding kunnen brengen.
- c) **Wanneer u elektrisch gereedschap gebruikt, houd dan kinderen en omstanders op afstand.** Wanneer u wordt afgeleid, kunt u de controle over het gereedschap verliezen.

2) Elektrische veiligheid

- a) **Stekkers van elektrische gereedschappen moeten probleemloos passen op het stopcontact. Breng nooit wijzigingen aan in of aan de stekker. Gebruik geen adapters voor geaarde elektrische gereedschappen.** Standaardstekkers en passende stopcontacten verkleinen de kans op een elektrische schok.
- b) **Voorkom lichamelijk contact met geaarde oppervlakken van bijvoorbeeld pijpen, leidingen, radiatoren, fornuizen en koelkasten.** Wanneer uw lichaam geaard is, wordt de kans op een elektrische schok groter.
- c) **Stel elektrische gereedschappen nooit bloot aan regen of vocht.** Wanneer er water binnendringt in een elektrisch gereedschap, wordt de kans op een elektrische schok groter.
- d) **Gebruik het snoer niet om het elektrisch gereedschap te dragen, te verplaatsen of de stekker uit het stopcontact te trekken. Bescherm het snoer tegen olie, warmte, scherpe randen en bewegende delen.** Beschadigde of vastzittende snoeren vergroten de kans op een elektrische schok.

- e) **Wanneer u elektrische gereedschappen buiten gebruikt, gebruik dan een verlengkabel die geschikt is voor buitengebruik.** Door een kabel te gebruiken die geschikt is voor buitengebruik, wordt de kans op een elektrische schok kleiner.
- f) **Gebruik een aardlekbeveiliging (RCD) als niet te voorkomen is dat een powertool moet worden gebruikt in een vochtige omgeving.** Gebruik van een RCD vermindert het risico van elektrische schokken.

3) Persoonlijke veiligheid

- a) **Blijf altijd alert, kijk goed wat u doet en gebruik uw gezonde verstand wanneer u een elektrisch gereedschap gebruikt. Gebruik geen elektrische gereedschappen wanneer u moe bent, of drugs, alcohol of medicijnen hebt gebruikt.** Eén moment van onachtzaamheid bij het gebruik van elektrische gereedschappen kan ernstige verwondingen tot gevolg hebben.
- b) **Gebruik persoonlijke beschermingsmiddelen. Draag altijd een veiligheidsbril.** Een gepast gebruik van veiligheidsvoorzieningen, zoals een stof masker, speciale werkschoenen met antislipzolen, een veiligheidshelm en gehoorbescherming verkleinen de kans op persoonlijk letsel.
- c) **Voorkom dat het gereedschap per ongeluk wordt gestart. Zorg dat de schakelaar op de UITpositie staat, voordat u de stekker in het stopcontact steekt.** Draag elektrisch gereedschap nooit met uw vinger op de schakelaar en steek ook nooit de stekker van ingeschakelde elektrische gereedschappen in het stopcontact: dit leidt tot ongelukken.
- d) **Verwijder alle instel en andere sleutels uit het elektrisch gereedschap voordat u hem inschakelt.** Instel en andere sleutels aan een ronddraaiend onderdeel van het elektrisch gereedschap kunnen tot verwondingen leiden.
- e) **Zorg dat u nooit uw evenwicht kunt verliezen; houd altijd twee voeten stevig op de vloer.** Hierdoor kunt u het elektrisch gereedschap in onverwachte situaties beter onder controle houden.
- f) **Zorg dat u geschikte kleding draagt. Draag geen loshangende kleding of sieraden. Houd uw haar, kleding en handschoenen uit de buurt van bewegende delen.** Loshangende kleding, sieraden en lang haar kunnen vast komen te zitten in bewegende delen.
- g) **Wanneer er voorzieningen zijn voor de aansluiting van stofafzuiginstallaties, zorg dan dat ze op de**

- juiste wijze worden aangesloten en gebruikt.**
Gebruik van deze voorzieningen vermindert de gevaren die door stof worden veroorzaakt.
- h) **Denk niet dat doordat u gereedschap vaak gebruikt, u wel weet hoe het allemaal werkt en dat u de veiligheidsbeginselen voor het gebruik van het gereedschap wel kunt negeren.** Een onbezonnen actie kan in een fractie van een seconde ernstig letsel tot gevolg hebben.
- 4) Gebruik en onderhoud van elektrisch gereedschap**
- a) **Oefen geen overmatige kracht uit op elektrisch gereedschap. Gebruik het juiste gereedschap voor uw specifieke toepassing.** Met het juiste elektrische gereedschap voert u de taak beter en veiliger uit wanneer dit op de snelheid gebeurt waarvoor het apparaat is ontworpen.
- b) **Gebruik nooit elektrisch gereedschap waarvan de AAN/UITschakelaar niet werkt.** Ieder elektrisch gereedschap dat niet kan worden in en uitgeschakeld met de schakelaar is gevaarlijk en moet worden gerepareerd.
- c) **Trek de stekker uit het stopcontact voordat u wijzigingen aanbrengt aan elektrische gereedschappen, accessoires verwisselt of het elektrisch gereedschap opbergt.** Wanneer u zich aan deze preventieve veiligheidsmaatregelen houdt, beperkt u het risico dat het gereedschap per ongeluk wordt gestart.
- d) **Berg elektrisch gereedschap dat niet in gebruik is op buiten bereik van kinderen en laat personen die niet bekend zijn met het gereedschap of deze instructies het apparaat niet gebruiken.** Elektrisch gereedschap is gevaarlijk in de handen van ongeoefende gebruikers.
- e) **Zorg voor een goed onderhoud van elektrisch gereedschap. Controleer of bewegende delen op de juiste wijze zijn vastgezet. Controleer ook of er geen onderdelen defect zijn of dat er andere omstandigheden zijn die van invloed kunnen zijn op de werking van het gereedschap. Laat het gereedschap bij beschadigingen repareren vóór gebruik.** Veel ongelukken worden veroorzaakt door slecht onderhoud van het gereedschap.
- f) **Zorg dat snij en zaagwerktuigen scherp en schoon blijven.** Goed onderhouden snij en zaagwerktuigen met scherpe randen zullen minder snel vastlopen en zijn eenvoudiger onder controle te houden.
- g) **Gebruik alle elektrische gereedschappen, accessoires, bitjes etc., zoals aangegeven in deze instructies en op de wijze waarvoor het gereedschap is ontworpen. Houd daarbij rekening met de werkomstandigheden en de uit te voeren taak.** Gebruik van elektrisch gereedschap voor handelingen die afwijken van de taken waarvoor het apparaat is ontworpen kunnen leiden tot gevaarlijke situaties.
- h) **Houd handgrepen en greepoppervlakken droog, schoon en vrij van olie en vet.** Gladde handgrepen en greepoppervlakken maken veilig werken en controle over het gereedschap in onverwachte situaties onmogelijk.
- 5) Gebruik en onderhoud accugereedschap**
- a) **Laad alleen op met de lader die door de fabrikant is gespecificeerd.** Een lader die voor een bepaalde accu geschikt is, kan brand veroorzaken wanneer deze met een andere accu wordt gebruikt.
- b) **Gebruik elektrisch gereedschap alleen met de speciaal hiervoor bedoelde accu's.** Gebruik van andere accu's kan kans op letsel en brand geven.
- c) **Wanneer de accu niet in gebruik is, houd deze dan uit de buurt van andere metalen voorwerpen zoals paperclips, munten, sleutels, spijkers, schroeven of andere kleine metalen voorwerpen die een verbinding tussen twee polen kunnen maken.** Kortsluiting tussen de accupolen kan brandwonden of brand veroorzaken.
- d) **Wanneer de accu niet juist wordt gebruikt, kan er vloeistof uit lopen; raak dit niet aan. Wanneer dit per ongeluk wel gebeurt, spoel dan met water. Wanneer de vloeistof in de ogen komt, moet u een arts raadplegen.** De vloeistof uit de accu kan irritaties of brandwonden veroorzaken.
- e) **Gebruiken niet een accu of gereedschap dat beschadigd is of gemodificeerd.** Beschadigde of gemodificeerde accu's kunnen onvoorspelbaar gedrag vertonen, wat brand, explosie of een risico van letsel met zich meebrengt.
- f) **Stel een accu over het gereedschap niet bloot aan open vuur of een uitzonderlijk hoge temperatuur.** Blootstelling aan vuur of een temperatuur hoger dan 130 °C, kan een explosie veroorzaken. NB De temperatuur van "130 °C" kan worden vervangen door de temperatuur van "265 °F".
- g) **Houd u aan alle instructies voor het laden en laad de accu of het gereedschap niet op buiten het temperatuurbereik dat in de instructies wordt aangeduid.** Op een onjuiste wijze laden of laden bij temperaturen buiten het aangeduide bereik kan de accu beschadigen en het risico van brand doen toenemen.

6) Service

- a) **Laat uw gereedschap onderhouden door een gekwalificeerde onderhoudstechnicus die alleen gebruikmaakt van identieke vervangingsonderdelen.** Dit zorgt ervoor dat de veiligheid van de powertool intact blijft.
- b) **Voer nooit servicewerkzaamheden uit aan beschadigde accu's.** Alleen de fabrikant of geautoriseerde service-providers mogen servicewerkzaamheden aan accu's uitvoeren.

SPECIALE VEILIGHEIDSLINSTRUCTIES

- a) **Dit elektrisch gereedschap is bedoeld voor gebruik als slijper, schuurmachine, staalborstel, polijstmachine, snijd of afkortgereedschap. Lees alle veiligheidswaarschuwingen, instructies, afbeeldingen en specificaties die met dit elektrisch gereedschap zijn meegeleverd.** Het niet navolgen van alle onderstaande instructies kan resulteren in een elektrische schok, brand en/of ernstig letsel.
- c) **Gebruik geen accessoires die niet speciaal door de fabrikant zijn ontwikkeld en door de fabrikant worden aanbevolen.** Zelfs als het accessoire op het gereedschap past garandeert dit geen veilig gebruik.
- d) **Het nominale toerental van de accessoires moet gelijk of hoger zijn aan het maximale toerental dat op het elektrisch gereedschap wordt aangegeven.** Slijp accessoires die sneller draaien dan hun nominale toerental kunnen breken en uit elkaar vliegen.
- e) **De buitendiameter en de dikte van uw accessoire moet binnen de capaciteit van uw elektrisch gereedschap vallen.** Accessoires met een verkeerde maat kunnen niet goed onder controle worden gehouden.
- f) **Het asgat van schijven, schuurtrommels of andere accessoires moet goed op de as of hals van het elektrische gereedschap passen.** Accessoires die niet goed op het gereedschap passen draaien uit balans, trillen hard en kunnen u de controle over het gereedschap laten verliezen.
- g) **Borstels, schuurtrommels, slijpschijven of andere accessoires moeten volledig in de kraag of spankop worden geduwd.** Als de stift niet goed vastzit en/of het accessoire te ver uitsteekt, kan het geplaatste accessoire losgaan en met hoge snelheid worden weggeslingerd.
- h) **Gebruik geen beschadigde accessoires. Controleer accessoires zoals slijpschijven voor elk gebruik altijd eerst op beschadigingen en**

scheuren, schuurtrommels op scheuren of slijtage, draadborstels op losse of gebroken draden. Als u het elektrische gereedschap of een accessoire laat vallen, controleer deze dan op schade of plaats een onbeschadigde accessoire. **Positioneer uzelf na het inspecteren en plaatsen van een accessoire zo dat u en omstanders niet op één lijn met de draairichting staan van het draaiende accessoire en laat het elektrische gereedschap één minuut onbelast draaien.**

Beschadigde accessoires zullen normaal gesproken afbreken tijdens deze testperiode.

- i) **Draag persoonlijke beschermingsmiddelen.** Gebruik afhankelijk van de situatie gezichtsbescherming, werkbril of veiligheidsbril. Gebruik wanneer nodig een stofmasker, gehoorbescherming, handschoenen en een veiligheidsschort die kleine stukken accessoire of werkstuk kunnen stoppen. De veiligheidsbril moet kleine stukken puin die door diverse werkzaamheden worden veroorzaakt kunnen tegenhouden. Het stof- of gasmasker moet geschikt zijn voor het filteren van de deeltjes die door uw werkzaamheden worden veroorzaakt. Langdurige blootstelling aan harde geluiden kan gehoorverlies veroorzaken.
- j) **Houd omstanders op een veilige afstand van het werkgebied. Iedereen die het werkgebied betreedt moet persoonlijke beschermingsmiddelen dragen.** Delen van het werkstuk of een gebroken accessoire kunnen wegvliegen en letsel veroorzaken buiten het werkgebied.
- k) **Houd het elektrische gereedschap vast aan de geïsoleerde oppervlakken wanneer u werkzaamheden uitvoert waardoor het accessoire in contact kan komen met verborgen bedrading.** Accessoires die bedrading onder spanning raken kunnen het gereedschap onder stroom zetten en de gebruiker een elektrische schok geven.
- l) **Houd het gereedschap altijd stevig in uw hand(en) tijdens het inschakelen.** De koppelreactie van de motor, als het versnelt naar de maximale snelheid, kan het gereedschap laten draaien.
- m) **Gebruik wanneer mogelijk klemmen om het werkstuk te ondersteunen. Houd een klein werkstuk nooit in één hand terwijl u het gereedschap met de andere hand gebruikt.** Als u een klein werkstuk klemt kunt u het gereedschap met uw hand(en) bedienen. Ronde materialen zoals staven, buizen of slangen kunnen tijdens het snijden weggrollen en ervoor zorgen dat het accessoire vastbijt of richting u springt.

- n) **Plaats het snoer uit de buurt van het draaiende accessoire.** Als u de controle over het gereedschap verliest kan het snoer beschadigen of worden gegrepen en kan uw hand of arm in de richting van het draaiende accessoire worden getrokken.
- o) **Leg het gereedschap nooit neer voordat het accessoire helemaal tot stilstand is gekomen.** Het draaiende accessoire kan zich vastbijten in het oppervlak en het gereedschap uit uw handen trekken.
- p) **Controleer nadat u een accessoire wisselt of aanpassingen maakt altijd of de spanmoer, spankop en verstelmechanismen goed vastzitten.** Losse verstelmechanismen kunnen onverwacht verschuiven, waardoor u de controle kunt verliezen. Losse draaiende componenten kunnen hard weg worden geslingerd.
- q) **Zet het gereedschap nooit aan terwijl u het naast uw lichaam houdt.** Onopzettelijk contact met het draaiende accessoire kan uw kleding grijpen, waardoor het accessoire in uw lichaam kan snijden.
- r) **Reinig regelmatig de luchtopeningen van het gereedschap.** De ventilator van de motor zuigt stof in de behuizing en opgehoopt metaalpoeder kan een gevaarlijke elektrische schok veroorzaken.
- s) **Gebruik het gereedschap nooit in de buurt van ontvlambare materialen.** Vonken kunnen deze materialen ontsteken.
- t) **Gebruik geen accessoires die vloeibare koelvloeistof nodig hebben.** Het gebruik van water of andere vloeistoffen kan elektrocutie of een elektrische schok veroorzaken.

Terugslag en bijbehorende waarschuwingen

Terugslag is een plotselinge reactie op een vastgelopen of vastgebeten slijpschijf, schuurband, borstel of ander accessoire. Vastlopen of vastbijten zorgt ervoor dat het draaiende accessoire snel stopt met draaien waardoor het gereedschap in de tegenovergestelde richting van de draairichting van het accessoire wordt geforceerd. Bijvoorbeeld, als een slijpschijf vastloopt of zich in het werkstuk vastbijt, zal de rand van de schijf zich in het materiaal vastbijten en daarna naar boven klimmen of uit het werkstuk schieten. De schijf kan zowel van als naar de gebruiker schieten, afhankelijk van de draairichting van de schijf tijdens het vastlopen. Slijpschijven kunnen ook breken. Terugslag is het resultaat van verkeerde handelingen en/of

onjuist gebruik van het gereedschap, of situaties die kunnen worden voorkomen door onderstaande maatregelen tot nemen.

- a) **Houd het elektrische gereedschap stevig vast en positioneer uw lichaam en armen zo dat u terugslag kunt weerstaan.** De gebruiker kan terugslag onder controle houden als de juiste voorzorgsmaatregelen worden genomen.
- b) **Let extra goed op tijdens het werken aan hoeken, scherpe randen etc. Voorkom stuiteren en vastlopen van het accessoire.** Hoeken, scherpe randen of stuiteren hebben de neigen het accessoire vast te laten lopen waardoor u de controle kunt verliezen of er terugslag optreedt.
- c) **Bevestig nooit een getand zaagblad.** Deze zaagbladen veroorzaken regelmatig terugslag of controleverlies.
- d) **Voer het accessoire altijd op dezelfde manier in zoals deze uit het materiaal is gekomen (dezelfde richting als het gruis dat wordt weggeslingerd).** Als het gereedschap op de verkeerde manier wordt ingevoerd klimt het accessoire uit het werkstuk en trekt het gereedschap dezelfde kant op.
- e) **Als u roterende vijlen, slijpschijven, hogesnelheid schijven of hardmetalen schijven gebruikt, klem het werkstuk dan altijd goed vast.** Deze accessoires lopen vast als ze licht gekanteld worden in de zaagsnede en kunnen terugslag veroorzaken. Als een slijpschijf vastloopt, zal deze normaal gesproken breken. Als een roterende vijl, hoge snelheid slijpschijf of hardmetalen schijf vastloopt, kan het uit de zaagsnede schieten waardoor u de controle over het gereedschap kunt verliezen.

EXTRA VEILIGHEIDSINSTRUCTIES VOOR SLIJPEN EN AFKORTEN

Veiligheids waarschuwingen specifiek voor slijpen en afkorten:

- a) **Gebruik alleen schijven die worden aanbevolen voor uw elektrisch gereedschap en voor de aanbevolen toepassingen. Bijvoorbeeld: niet schuren met de zijkant van een slijpschijf.** Slijpschijven zijn bedoeld voor slijpwerkzaamheden, als druk op de zijkant wordt uitgeoefend kunnen ze breken.
- b) **Gebruik voor stiftfreezen en pluggen alleen onbeschadigde stiften met een flens van de juiste maat en lengte.** De juiste stift verminderd de kans dat de schijf breekt.
- c) **Forceer een slijpschijf nooit in het werkstuk en druk er niet hard op. Probeer nooit een extra**

- diepe zaagsnede te maken.** Overbelasting van de schijf verhoogt de kans op vastlopen of vasthaken in de zaagsnede en verhoogt de kans op terugslag of het breken van de schijf.
- d) **Plaats uw hand nooit op één lijn en achter de draaiende schijf.** Als de schijf tijdens gebruik van uw hand af beweegt, kan de terugslag de draaiende schijf en het gereedschap richting u duwen.
- e) **Als de schijf vastloopt, vasthaakt of wanneer u het slijpen moet onderbreken, schakel het gereedschap dan uit en houd het gereedschap vast tot het accessoire volledig tot stilstand is gekomen. Probeer de schijf nooit uit het werkstuk te halen als het nog beweegt, anders kan er terugslag optreden.** Onderzoek waarom de schijf vastloopt en verhelp de oorzaak zodat het niet meer kan gebeuren.
- f) **Start de werkzaamheden nooit in het werkstuk. Laat de schijf eerst de maximale snelheid bereiken en voer hem daarna weer voorzichtig in de zaagsnede.** De schijf kan vastlopen, uit het werkstuk schieten, of terugslag veroorzaken als het gereedschap in het werkstuk wordt gestart.
- g) **Ondersteun panelen of grote werkstukken om het risico op vastlopen en terugslag te verkleinen.** Grote werkstukken kunnen door hun eigen gewicht inzakken. Steunen moeten onder het werkstuk worden geplaatst bij de zaagsnede en de rand van het werkstuk aan beide kanten van de schijf.
- h) **Wees extra voorzichtig wanneer u een zaagsnede maakt in muren of andere blinde gebieden.** De schijf kan gas- of waterleidingen, elektrische bedrading of objecten die terugslag veroorzaken raken.

AANVULLENDE VEILIGHEIDSINSTRUCTIES VOOR WERKZAAMHEDEN MET DRAADBORSTEL

Waarschuwingen in verband met de veiligheid, speciaal voor werkzaamheden met draadborstel:

- a) **Bedenk dat haren van de borstel worden weggeslingerd, ook tijdens normale toepassing. Zet niet te veel kracht op de draden, oefen niet te veel kracht uit op de borstel.** De haren van de borstel kunnen gemakkelijk dunne kleding en/of de huid binnendringen.
- b) **Laat borstels gedurende ten minste één minuut op bedrijfssnelheid draaien voordat u ze gebruikt. Gedurende deze tijd mag niemand voor of op één lijn met de borstel staan.** Er zullen gedurende de inlooptijd borstelharen worden weggeslingerd.

- c) **Richt de draadborstel van u af zodat losse haren niet naar u toe worden geslingerd.** Kleine deeltjes en minuscule fragmenten van haren kunnen tijdens het gebruik van deze borstels op hoge snelheid worden weggeslingerd en zij kunnen zich in uw huid vastzetten.

TEN AANZIEN VAN DE ACCULADER

Bedoeld gebruik

Laad uitsluitend herlaadbare accupacks. Andere typen accu's kunnen exploderen, wat lichamelijk letsel en schade kan veroorzaken.

- a) **Het apparaat dient niet te worden gebruikt door personen (inclusief kinderen) met verminderde fysieke, zintuiglijke of mentale functies of personen zonder enige ervaring en kennis, tenzij zij onder toezicht staan of zijn geïnstrueerd**
- b) **Laat kinderen onder toezicht niet met het apparaat spelen**
- c) **Laad niet-herlaadbare accu's niet opnieuw op!**
- d) **Plaats de accu's tijdens het opladen in een goed geventileerde ruimte!**
- e) **Geïntegreerde accu's mogen alleen voor het afvoeren door vakpersoneel verwijderd worden.** Door het openen van de behuizingsschaal kan het elektrische gereedschap vernietigd worden. Om de accu uit het elektrische gereedschap te nemen, drukt u zo lang op de aan-/uitschakelaar (5) tot de accu volledig ontladen is. Draai de schroeven er aan de behuizing uit en haal de behuizingsschaal eraf om de accu te verwijderen. Om een kortsluiting te verhinderen, maakt u de aansluitingen aan de accu afzonderlijk na elkaar los en isoleert u daarna de polen. Ook bij volledige ontlading is nog een restcapaciteit in de accu voorhanden die bij kortsluiting vrij kan komen.

Elektrische veiligheid

Neem bij het gebruik van elektrische machines altijd de plaatselijk geldende veiligheidsvoorschriften in acht in verband met brandgevaar, gevaar voor elektrische schokken en lichamelijk letsel. Lees onderstaande instructies.



Controleer altijd of uw netspanning overeenkomt met de waarde op het typeplaatje.



Klasse II apparaat - Dubbel geïsoleerd - een gearde stekker is niet noodzakelijk.

2. TECHNISCHE INFORMATIE

Bedoeld gebruik

Dit elektrisch gereedschap is bedoeld voor gebruik als slijper, schuurmachine, staalborstel, polijst-machine, snij- of afkortgereedschap. Dit combige-reedschap is zeer goed geschikt voor het bewerken van materialen zoals hout, kunststof, natuursteen, aluminium, koper en staal. Gebruik altijd de juiste accessoires en instelling van de snelheid.

TECHNISCHE SPECIFICATIES

Modelnr.	CT503DC
Herlaadbare accu	4V Li-ion 600mAh
Accu laadtijd	2 uur
Maximale schijfdiameter	Ø35 mm
Maximale boordiameter	Ø2,3 mm
Toerental, onbelast	5000/10000/15000/min
Capaciteit, spantang	2,3 mm
Gewicht	0,1 kg
Lpa (geluidsdruk)	79+3 dB(A)
Lwa (geluidsvermogen)	90+3 dB(A)
Vibratiewaarde	1,177+1,5 m/s ²

Trillingsniveau

Het trillingsemissieniveau, dat in deze gebruiksaanwijzing wordt vermeld, is gemeten in overeenstemming met een gestandaardiseerde test volgens EN 60745; deze mag worden gebruikt om twee machines met elkaar te vergelijken en als voorlopige beoordeling van de blootstelling aan trilling bij gebruik van de machine voor de vermelde toepassingen.

- gebruik van de machine voor andere toepassingen, of met andere of slecht onderhouden accessoires, kan het blootstellingsniveau aanzienlijk verhogen.
- wanneer de machine is uitgeschakeld of wanneer deze loopt maar geen werk verricht, kan dit het blootstellingsniveau aanzienlijk reduceren.

Bescherm uzelf tegen de gevolgen van trilling door de machine en de accessoires te onderhouden, uw handen warm te houden en uw werkwijze te organiseren.

BESCHRIJVING

De nummers in de tekst verwijzen naar de illustraties op pagina 2-4

1. Spankop
2. Asvergrendeling
3. Aan/Uit-knop en knop voor snelheidsregeling
4. Lampjes voor snelheidsaanduiding
5. Lampje voor laadaanduiding
6. Kabel van de lader

3. MONTAGE



Schakel vooral altijd eerst de machine uit voordat u een accessoire monteert.



Waarschuwing! Plaats accessoire zo ver mogelijk in de spantang of spankop, zodat uitloop en onbalans tot een minimum beperkt worden.

Montage van accessoires (Fig. B)

Druk de asvergrendelingsknop (2) in en houd de knop ingedrukt. Schroef met de hand de spankop (1) los. Plaats het accessoire in de kop. Houd de asvergrendelingsknop (2) ingedrukt wanneer u de spankop (1) vastzet.



Druk de asvergrendelingsknop niet in terwijl de motor draait.

4. BEDIENING

Schakel de machine in met een druk op de Aan/Uit-knop (3). Door een tweede keer op de Aan/Uit-knop (3) te drukken, schakelt u de machine over op snelheid 2, druk een derde keer op de knop en de machine schakelt over op snelheid 3. U schakelt de machine uit door een vierde keer op de Aan/Uit-knop (3) te drukken. Leg de machine niet meer wanneer de motor nog loopt. Leg de machine niet op een stoffig oppervlak. Er kunnen dan stofdeeltjes in het mechanisme komen.



Een te hoge belasting bij een lage snelheid van de Combitool kan de motor laten verbranden.

De accu moet vóór het eerste gebruik volledig worden opgeladen.

De accu laden (met de acculader)

- Steek de stekker van de kabel (6) van de lader (meegeleverd) in een adapter (niet meegeleverd).
- Steek de stekker van de kabel (6) van de lader in de machine. (afb. J)

- Steek de stekker van de acculader in een stopcontact en wacht even. Het ledcontrolelampje (5) gaat branden en toont de status van de lader.

LED	Status van acculader
Rood	Bezig met opladen van accu
Groen	Opladen van de accu is beëindigd, de accu is volledig opgeladen

- Verwijder nadat de accu volledig is opgeladen, de stekker van de lader uit het stopcontact en haal de kleine stekker uit het gereedschap weg.

Het gereedschap vasthouden en leiden (Afb. C)

- Voor precisiewerk (graveren): potloodgreep (C1)
- Voor ruw werk (schuren): schilmesgreep (C2)
- Wanneer u het gereedschap parallel ten opzichte van het werkkoppervlak moeten houden (bijv. wanneer u een snijwiel gebruikt): golfgreep (C3) met twee handen

Optimaal gebruik van het combigereedschap en zijn accessoires (Afb. A)

Voor optimaal gebruik van de accessoires is het belangrijk dat u de juiste snelheid toepast. U kunt het overzicht "Aanbevolen snelheidsinstelling" hieronder raadplegen voor de juiste snelheid, op basis van het materiaal dat wordt bewerkt en het type accessoire dat wordt gebruikt. Aan de hand van het overzicht kunt u zowel het juiste accessoire als de optimale snelheid selecteren.

De 3 indicatielampje (4) voor de snelheid zijn gelijk aan de nummers 1, 2 en 3 in het overzicht "aanbevolen de instelling van de snelheid". Uiteindelijk is de beste manier om de juiste snelheid voor het werk aan een materiaal te bepalen uitproberen op een stukje afvalmateriaal.

AANBEVOLEN INSTELLING VAN DE SNELHEID

Slijpstenen (Fig. D)

Materiaal	Snelheid
Steen, gips	1-2
Staal	2-3
Aluminium, messing	2
Kunststof	1-2

Vilten schijven en tips (Fig. E)

De vilten accessoires dienen op de bijgeleverde as te worden gemonteerd.

Materiaal	Snelheid
Staal	2-3
Aluminium, messing	2
Kunststof	2-3

Schuurbanden en -schijven

(schuurschijven niet inbegrepen) (Fig. F)

Materiaal	Snelheid
Hout	3
Staal	1-2
Aluminium, messing	2
Kunststof	1-2

Borstel (Fig. G)

Materiaal	Snelheid
Steen, gips	2
Aluminium, messing	2

HSS freesje, graveerpunt en boortje (Fig. H)

Materiaal	Snelheid
Steen, gips	3
Staal	2
Aluminium, messing	3
Kunststof	1-2

Schuurschijf (Schijf niet meegeleverd) (Afb. I)

Materiaal	Snelheid
Staal	2-3
Aluminium, messing	2
Kunststof	1-2

5. ONDERHOUD



Zorg dat de machine niet onder spanning staat wanneer onderhoudswerkzaamheden aan het mechaniek worden uitgevoerd.

Reinig de machinebehuizing regelmatig met een zachte doek, bij voorkeur iedere keer na gebruik.

Zorg dat de ventilatiesleuven vrij van stof en vuil zijn. Gebruik bij hardnekkig vuil een zachte doek bevochtigd met zeepwater. Gebruik geen oplosmiddelen als benzine, alcohol, ammonia, etc. Dergelijke stoffen beschadigen de kunststof onderdelen.

dealers zijn gelimiteerd tot de reparatie of vervanging van defecte producten of onderdelen.

Het product en de gebruikershandleiding zijn onderhevig aan wijzigingen. Specificaties kunnen zonder opgave van redenen worden gewijzigd.

MILIEU



Defecte en/of afgedankte elektrische of elektronische gereedschappen dienen ter verwerking te worden aangeboden aan een daarvoor verantwoordelijke instantie.

Uitsluitend voor EG-landen

Werp elektrisch gereedschap niet weg bij het huisvuil. Volgens de Europese Richtlijn 2012/19/EU voor Afgedankte Elektrische en Elektronische Apparatuur en de implementatie ervan in nationaal recht moet niet langer te gebruiken elektrisch gereedschap gescheiden worden verzameld en op een milieuvriendelijke wijze worden verwerkt.

GARANTIE

VONROC producten zijn ontworpen volgens de hoogste kwaliteitsstandaarden en gegarandeerd vrij van defecten, zowel materieel als fabrieksfouten, tijdens de wettelijk vastgestelde garantieperiode vanaf de eerste aankoopdatum. Mocht het product tijdens deze periode gebreken vertonen veroorzaakt door defecte materialen en/of fabrieksfouten, neem dan rechtstreeks contact op met VONROC.

De volgende situaties vallen niet onder de garantie:

- Er zijn reparaties of aanpassingen aan de machine uitgevoerd, of er is een poging daartoe ondernomen, door een nietgeautoriseerd servicecentrum.
- Normale slijtage.
- De machine is misbruikt, verkeerd gebruikt of slecht onderhouden.
- Er zijn niet-originele reserveonderdelen gebruikt

Dit vormt de enige garantie opgesteld door het bedrijf zowel expliciet als impliciet. Er bestaan geen andere garanties expliciet of impliciet welke verder gaan dan deze garantie, inclusief impliciete garanties van verkoopbaarheid en geschiktheid voor bepaalde doeleinden. In geen enkel geval kan VONROC aansprakelijk worden gesteld voor incidentele schade of gevolgschade. Reparaties van

1. CONSIGNES DE SÉCURITÉ

En plus des avertissements de sécurité suivants, veuillez également lire les avertissements de sécurité additionnels ainsi que les instructions. Le non-respect des avertissements de sécurité et des instructions peut entraîner une décharge électrique, un incendie et/ou des blessures graves. Veuillez conserver les avertissements de sécurité et les instructions pour consultation ultérieure.

Les symboles suivants sont utilisés dans le manuel d'utilisation ou apposés sur le produit:



Signale un risque de blessures, un danger mortel ou un risque d'endommagement de l'outil en cas de non-respect des instructions de ce manuel.



Risque de choc électrique



Le nombre de rotations de la machine peut être réglé électroniquement.



Utilisation à l'intérieur uniquement



Portez une protection auditive et des accessoires de protection pour les yeux.



Portez un masque anti-poussière.



N'appuyez pas sur le bouton de blocage de l'axe lorsque le moteur fonctionne.



Machine de classe II - Double isolation
- Vous n'avez pas besoin de prise avec mise à la terre.



Température max. 40°C



Ne jetez pas la batterie au feu



Ne jetez pas la batterie dans l'eau



Ne jetez pas le produit dans des conteneurs qui ne sont pas prévus à cet effet.



La batterie Li-ion fait l'objet d'une collecte séparée.



Le produit est conforme aux normes de sécurité en vigueur spécifiées dans les directives européennes.

CONSIGNES GÉNÉRALES DE SÉCURITÉ

AVERTISSEMENT! Veuillez lire l'intégralité des avertissements de sécurité et des instructions. Le nonrespect de toutes les instructions indiquées cidessous peut entraîner un risque de choc électrique, d'incendie et/ou de blessures graves.

Conservez ces instructions.

Le terme "appareil électrique" mentionné dans tous les avertissements cidessous se rapporte à un appareil électrique qui se branche au réseau électrique (grâce à un câble d'alimentation) ou à un appareil électrique (sans fil) fonctionnant grâce à une batterie.

1) espace de travail

- a) **Veillez toujours à garder votre espace de travail propre et bien éclairé.** Les espaces mal rangés et sombres peuvent être la cause d'accidents.
- b) **N'utilisez pas les appareils électriques dans des environnements susceptibles d'explosion, par exemple en présence de liquides inflammables, de gaz ou de particules.** Les appareils électriques provoquent des étincelles qui peuvent enflammer les particules des émanations.
- c) **Veillez à garder éloignés les enfants et les personnes se trouvant dans votre voisinage, lors de l'utilisation d'un appareil électrique.** Les distractions peuvent vous faire perdre le contrôle de l'appareil.

2) mesures de sécurité électriques

- a) **Les prises des appareils électriques doivent être raccordées à la prise murale correspondante. Ne modifiez jamais la prise de l'appareil, de quelque façon que ce soit. N'utilisez pas d'adaptateurs qui mettent les appareils électriques à la terre (mise à la masse).** Des prises non modifiées et branchées à la prise murale correspondante réduiront les risques de choc électrique.
- b) **Évitez le contact direct avec les surfaces mises à la terre ou mises à la masse comme les canalisations, les radiateurs, les cuisinières et les réfrigérateurs.** En effet, le risque de choc électrique s'accroît si votre corps est mis à la terre ou à la masse.

- c) **N'utilisez pas d'outils électriques dans des environnements pluvieux ou humides.** Si de l'eau s'introduit dans un appareil électrique, le risque de choc électrique augmentera.
- d) **N'utilisez pas le câble de manière abusive. N'utilisez jamais le câble pour transporter, tirer ou débrancher l'appareil électrique. Veillez à garder le câble éloigné des sources de chaleur, des huiles, des rebords coupants ou des pièces actionnées.** Les câbles endommagés ou entremêlés augmentent le risque de choc électrique.
- e) **Lorsque un appareil est utilisé à l'extérieur, utilisez uniquement un câble prolongateur prévu à cet effet.** L'utilisation d'un câble à usage extérieur réduit le risque de choc électrique.
- f) **Si vous êtes contraint d'utiliser un outil électrique dans un environnement humide, utilisez une alimentation protégée par un dispositif à courant résiduel (RCD).** L'utilisation d'un RCD réduit le risque de décharge électrique.
- 3) Sécurité personnelle**
- a) **Restez vigilant, gardez un œil sur ce que vous faites et utilisez votre sens commun lors de l'utilisation d'un appareil électrique. N'utilisez pas un appareil électrique si vous êtes fatigué ou si vous êtes sous l'influence de drogues, d'alcool ou si vous prenez des médicaments.** Un moment d'inattention lors de l'utilisation des appareils électriques peut entraîner des blessures graves.
- b) **Utilisez un équipement de protection personnelle. Protégez-vous toujours les yeux.** Les équipements de protection, tels qu'un masque à poussière, des chaussures antidérapantes, des protections auditives ou un casque de sécurité, utilisés dans de bonnes conditions, réduiront le risque de blessures.
- c) **Prévenez tout démarrage involontaire. Assurez-vous que l'interrupteur est sur la position "arrêt avant de brancher l'appareil.** En effet, le transport des appareils électriques en gardant vos doigts sur l'interrupteur, ou le branchement de ces appareils en ayant l'interrupteur sur "marche accidents.
- d) **Retirez les clés de réglage ou les clés de vis de réglage avant d'allumer l'appareil électrique.** Une clé de vis de réglage ou une clé, laissée sur une pièce en mouvement de l'appareil électrique, peut entraîner des lésions corporelles.
- e) **Ne pas se précipiter. Gardez toujours vos pieds à plat et gardez votre équilibre.** Ceci permet de mieux contrôler l'appareil électrique dans des situations imprévues.
- f) **Habillez-vous convenablement. Ne portez pas de vêtements lâches ou de bijoux. Gardez vos cheveux, vêtements et gants éloignés des pièces actionnées.** En effet, ces derniers peuvent être pris dans les pièces en action.
- g) **Si les appareils sont fournis pour la connexion des équipements d'évacuation et de récupération de la poussière, assurez-vous que ces derniers soient correctement connectés et utilisés.** L'utilisation de ces appareils peut réduire les risques liés à la poussière.
- h) **Ne pensez pas être familiarisé avec l'outil après l'avoir utilisé à de nombreuses reprises, au point de ne plus rester vigilant et d'en oublier les consignes de sécurité.** Toute action imprudente peut engendrer de graves blessures en une fraction de seconde.
- 4) Utilisation et entretien d'un appareil électrique**
- a) **Ne forcez pas l'appareil électrique. Utilisez l'appareil électrique adéquat pour votre application.** Un appareil électrique correctement choisi assurera un meilleur travail et un travail sans danger, au rythme auquel il a été conçu.
- b) **N'utilisez pas l'appareil électrique si l'interrupteur marche/arrêt ne fonctionne pas.** Un appareil électrique qui ne peut pas être commandé par l'interrupteur de contrôle est dangereux et doit être réparé.
- c) **Débranchez la prise du bloc d'alimentation avant d'effectuer des réglages, de changer des accessoires, ou de ranger les appareils électriques.** Ces mesures de sécurité préventives réduiront le risque de démarrage involontaire de l'appareil électrique.
- d) **Rangez les appareils électriques arrêtés hors de la portée des enfants et ne laissez aucune personne, non familiarisée avec l'outil ou ces instructions, utiliser l'appareil électrique.** Les appareils électriques sont dangereux entre les mains d'utilisateurs non formés.
- e) **Entretenez les appareils électriques. Vérifiez tout défaut d'alignement et l'enchaînement des pièces actionnées, la rupture de ces dernières, et les autres conditions qui peuvent affecter le fonctionnement des appareils électriques. En cas de dommages, faites réparer l'appareil électrique avant de le réutiliser.** Nombreux sont les accidents provoqués par des appareils électriques mal entretenus.

- f) **Veillez à garder les outils coupants aiguisés et propres.** Des outils coupants correctement entretenus avec des lames aiguisées sont moins susceptibles de se bloquer et sont plus faciles à contrôler.
 - g) **Utilisez l'appareil électrique, les accessoires et les embouts, etc., conformément à ces instructions et de la manière prévue pour le type spécifique de l'appareil électrique, en prenant en compte les conditions de travail et le travail à effectuer.** L'utilisation de l'appareil électrique dans des applications différentes de celles prévues peut entraîner des situations dangereuses.
 - h) **Gardez les poignées et les surfaces de préhension sèches, propres et exemptes d'huile et de graisse.** Des poignées et des surfaces de préhension glissantes ne permettent pas de manipuler et de contrôler l'outil correctement en cas de situations inattendues.
 - h) **Gardez les poignées et les surfaces de préhension sèches, propres et exemptes d'huile et de graisse.** Des poignées et des surfaces de préhension glissantes ne permettent pas de manipuler et de contrôler l'outil correctement en cas de situations inattendues.
- 5) Utiliser et soigner les outils à batterie**
- a) **Rechargez la batterie uniquement avec le chargeur spécifié par le fabricant.** Un chargeur adapté à une certaine batterie peut être cause de danger d'incendie quand on l'utilise avec une batterie différente.
 - b) **Utilisez chaque outil uniquement avec la batterie conçue pour lui.** L'utilisation de toute autre batterie peut être cause de danger de blessure ou d'incendie.
 - c) **Lorsque une batterie n'est pas en usage, gardez-la hors d'atteinte d'objets métalliques tels que les trombones, pièces de monnaie, clés, clous, vis et autres petits objets métalliques pouvant faire le contact entre une borne et l'autre.** Un court-circuit entre les bornes de la batterie peut être cause de brûlures ou d'incendie.
 - d) **Dans des circonstances extrêmes, du liquide peut gicler hors de la batterie ; évitez tout contact. En cas de contact accidentel, rincez à l'eau. En cas de contact du liquide avec les yeux, consultez un médecin.** Le liquide qui gicle d'une batterie peut causer irritations ou brûlures.
 - e) **N'utilisez pas un bloc-batterie ou un outil endommagé ou modifié.** Une batterie

endommagée ou altérée peut avoir un comportement imprévisible qui peut conduire à un incendie, une explosion ou un risque de blessure.

- f) **N'exposez pas le bloc-batterie ou l'outil au feu ou à des températures excessives.** L'exposition au feu ou à des températures dépassant 130 °C peut provoquer une explosion. REMARQUE La température de "130°C" peut être remplacé par la température de "265°F".
 - g) **Respectez les instructions pour la charge et ne rechargez pas le bloc-batterie ou l'outil à une plage de températures hors de celle spécifiée dans les instructions.** Une charge mal effectuée ou à des températures hors de la plage spécifiée peut endommager la batterie et augmente le risque d'incendie.
- 6) Maintenance**
- a) **L'entretien de votre outil électrique doit être confié à un réparateur qualifié qui utilise uniquement des pièces de rechange identiques aux pièces d'origine.** Cela permet d'assurer la sécurité de l'outil électrique.
 - b) **Ne réparez jamais des blocs-batteries endommagés.** Les réparations sur les blocs-batteries ne doivent être effectuées que par le fabricant ou l'un de ses prestataires de services agréés.

CONSIGNES DE SECURITE SPECIALES

- a) **Cet outil électrique a été conçu pour le meulage, le ponçage, le brossage métallique, le sculptage ou le tronçonnage. Merci de lire tous les avertissements, toutes les instructions, illustrations et spécifications fournis avec cet outil électrique.** Le non-respect de toutes les instructions mentionnées ci-dessous peut conduire à des chocs électriques, des incendies et/ou de graves blessures.
- c) **N'utilisez aucun accessoire qui ne soit pas spécifiquement conçu et recommandé par le fabricant de l'outil.** Le fait que l'accessoire puisse être installé sur votre outil électrique, ne garantit pas la sûreté de son fonctionnement.
- d) **La vitesse nominale des accessoires de meulage doit être au moins égale à la vitesse maximum indiquée sur l'outil électrique.** Les accessoires de meulage tournant plus vite que leur vitesse nominale peuvent se briser et voler en éclat.
- e) **Le diamètre extérieur et l'épaisseur de votre accessoire doivent correspondre à la capacité nominale de votre outil électrique.** Des

- accessoires mal dimensionnés ne peuvent être correctement contrôlés.
- f) **La taille de l'arbre ou du trou d'insertion des disques, rouleaux à poncer et de tous les autres accessoires doit parfaitement correspondre à l'axe ou à la douille de serrage de votre outil électrique.** Les accessoires mal adaptés au dispositif de fixation de l'outil électrique tournent de façon déséquilibrée, ils vibrent de façon excessive et peuvent provoquer la perte de contrôle de l'outil.
- g) **Les disques, rouleaux de ponçage, couteaux ou autres accessoires à monter sur mandrin doivent être complètement insérés dans la douille de serrage ou dans le mandrin.** Si le mandrin n'est pas suffisamment tenu et/ ou si le surplomb du disque est trop long, le disque installé peut se détacher et être éjecté à grande vitesse.
- h) **N'utilisez pas d'accessoires endommagés.** Avant chaque utilisation, inspectez l'accessoire, contrôlez par exemple, l'absence de copeaux ou de fissures sur les disques abrasifs, l'absence de fissures, de déchirures ou de traces d'usure excessive sur les rouleaux de ponçage et l'absence de fils manquants ou brisés sur les brosses métalliques. Si l'outil électrique ou son accessoire chute, contrôlez l'absence de dommages ou installez un accessoire en parfait état. Après avoir inspecté et installé un accessoire, éloignez-vous et les personnes alentours du plan de l'accessoire rotatif et faites tourner l'outil à sa puissance maximum à vide pendant une minute. C'est généralement durant ce délai de test que les accessoires endommagés se brisent.
- i) **Portez des équipements de protection individuelle. En fonction de l'opération à effectuer, utilisez un écran facial, ou des lunettes de protection. Selon les cas, portez un masque anti-poussières, des protections auditives, des gants et un tablier d'atelier, capables de stopper les petits fragments abrasifs ou les débris de la pièce travaillée.** La protection oculaire doit être capable de stopper les débris volants générés par les diverses opérations. Le masque antipoussières ou le respirateur doit être capable de filtrer les particules générées par votre intervention. Une exposition prolongée à un bruit intense peut provoquer la perte de l'ouïe.
- j) **Maintenez les personnes alentours à une distance sûre de la zone de travail. Toute personne pénétrant dans la zone de travail doit porter des équipements de protection individuelle.** Les fragments provenant de la pièce travaillée ou d'un accessoire brisé peuvent voler et provoquer des blessures au delà de la zone d'intervention immédiate.
- k) **Tenez l'outil électrique par ses surfaces de préhension isolées lorsque vous réalisez une opération pendant laquelle l'accessoire de coupe peut entrer en contact avec des fils cachés.** Un accessoire de coupe entrant en contact avec un fil sous tension peut mettre les parties métalliques exposées de l'outil sous tension et provoquer un choc électrique à l'utilisateur.
- l) **Tenez toujours l'outil fermement dans votre/ vos main(s) au moment du démarrage.** Le couple de réaction du moteur, au moment de l'accélération pour atteindre son plein régime, peut provoquer la torsion de l'outil.
- m) **Utilisez autant que possible des pinces pour soutenir la pièce à travailler. Ne tenez jamais les petites pièces dans une main avec l'outil en marche dans l'autre.** La fixation des petites pièces vous permet d'utiliser vos mains pour contrôler l'outil. Les pièces rondes comme les chevilles en bois, les tuyaux ou les tubes ont tendance à rouler pendant leur découpe et l'embout peut alors se coincer ou être dirigé vers vous.
- n) **Éloignez le cordon de l'accessoire en rotation.** Si vous perdez le contrôle, le cordon peut être sectionné ou arraché et entraîner votre main ou votre bras vers l'accessoire en rotation.
- o) **Ne posez jamais l'outil électrique avant que l'accessoire ne soit complètement arrêté.** L'accessoire en rotation pourrait toucher la surface et l'outil deviendrait incontrôlable.
- p) **Après avoir changé d'embout ou procéder à un réglage, assurez-vous que l'écrou de serrage, le mandrin ou les autres dispositifs de réglage sont correctement serrés.** Des dispositifs mal fixés peuvent brusquement se décaler et provoquer une perte de contrôle projetant violemment les composants en rotation.
- q) **Ne mettez pas l'outil électrique en marche alors que vous le tenez sur votre flanc.** Tout contact accidentel avec l'accessoire en rotation pourrait accrocher vos vêtements et attirer l'accessoire vers votre corps. Nettoyez régulièrement les fentes d'aération de l'outil électrique. Le ventilateur du moteur entraîne la poussière à l'intérieur du corps de l'outil et une accumu-

lation excessive de poussière de métal peut engendrer un risque électrique.

- s) **Ne faites pas fonctionner l'outil électrique près de matières inflammables.** Les étincelles pourraient enflammer ces matières.
- t) **N'utilisez pas d'accessoires nécessitant des fluides réfrigérants.** L'utilisation d'eau ou d'autre liquide de refroidissement peut conduire à une électrocution ou à un choc électrique.

Rebonds et avertissements associés

Un rebond est une réaction soudaine au pincement ou au coincement d'un disque en rotation, d'une bande de ponçage, d'une brosse ou de toute autre accessoire. Le pincement ou le coincement provoquent le calage soudain de l'accessoire en rotation, ce qui entraîne ensuite l'outil incontrôlable dans une direction opposée au sens de rotation de l'accessoire.

Par exemple, si un disque abrasif est accroché ou pincé par une pièce, le bord du disque entrant dans le point de pincement peut creuser la surface de la matière et provoquer la sortie ou le rebond du disque. Le disque peut alors sauter dans la direction de l'utilisateur ou dans la direction opposée, selon le sens de déplacement du disque au moment du pincement. Les disques abrasifs peuvent également éclater dans ces circonstances.

Le rebond est le résultat d'une mauvaise utilisation de l'outil électrique et/ou de procédures ou de conditions de fonctionnement incorrectes et il peut être évité en prenant les précautions adéquates, indiquées ci-dessous.

- a) **Tenez l'outil fermement et placez votre corps et votre bras de façon à vous permettre de résister à la force d'un rebond.** L'utilisateur peut contrôler la force d'un rebond en prenant les précautions nécessaires.
- b) **Soyez particulièrement vigilant lorsque vous intervenez dans des coins, sur des arêtes vives, etc. Évitez de faire rebondir et d'accrocher l'accessoire.** Les coins, les arêtes vives ou les à coups ont tendance à faire accrocher l'accessoire en rotation et à provoquer la perte de contrôle ou un rebond.
- c) **N'utilisez pas de lame de scie à dents.** Ces lames provoquent de fréquents rebonds et des pertes de contrôle.
- d) **Faites toujours entrer l'embout dans la matière dans le sens correspondant au sens de sortie**

du bord tranchant de la matière (le sens d'éjection des débris). L'insertion de l'outil dans le mauvais sens provoque la sortie du bord tranchant de l'embout de la pièce et entraîne l'outil dans le sens d'insertion.

- e) **Si vous utilisez des limes rotatives, des disques de sciage, des accessoires de coupe à haute vitesse ou en carbure de tungstène, fixez toujours parfaitement la pièce à travailler.** Ces disques accrochent s'ils sont légèrement inclinés dans la fente et ils peuvent rebondir. Lorsqu'un disque de tronçonnage accroche, généralement le disque lui-même se brise. Lorsqu'une lime rotative, un accessoire de coupe à haute vitesse ou en carbure de tungstène accrochent, ils peuvent sauter hors de la fente et provoquer la perte de contrôle de l'outil.

CONSIGNES DE SÉCURITÉ SUPPLÉMENTAIRES CONCERNANT LES OPÉRATIONS DE MEULAGE ET DE SCIAGE

Avvertissements de sécurité spécifiques pour les opérations de meulage et de sciage abrasif:

- a) **N'utilisez que des types de disques recommandés pour votre outil électrique et uniquement pour les opérations recommandées.**
Par exemple: ne meulez pas avec le bord d'un disque à tronçonner. Les disques à tronçonner abrasifs sont conçus pour le meulage périphérique, les forces latérales appliquées à ces disques peuvent les faire éclater.
- b) **Avec les meules abrasives à pointe ou coniques, n'utilisez que des mandrins de disque en parfait état avec bride épaulée sans détalonnage, de la bonne taille et de la bonne longueur.** Les mandrins adaptés réduisent la possibilité d'éclatement.
- c) **Ne "bloquez" pas un disque à tronçonner et ne lui appliquez pas de pression excessive.**
Ne tentez pas de procéder à une découpe trop profonde. La surcontrainte d'un disque augmente les risques de torsion ou d'accrochage du disque dans la coupe et la possibilité d'un rebond ou de l'éclatement du disque.
- d) **Ne placez pas votre main en ligne avec le disque en rotation ou derrière lui.** Si le disque s'éloigne de votre main au moment de l'intervention, le rebond possible peut propulser le disque en rotation et l'outil directement dans votre direction.
- e) **Si le disque se coince, accroche ou si vous interrompez une découpe pour une quelconque raison, éteignez l'outil électrique et mainte-**

nez-le immobile jusqu'à ce que le disque soit complètement arrêté. Ne tentez jamais de retirer le disque à tronçonner de la coupe alors que le disque est toujours en mouvement, un rebond est sinon possible. Cherchez la cause du problème et supprimez la cause du pincement ou l'accrochage du disque.

- f) **Ne redémarrez l'intervention si l'outil est dans la pièce à scier. Laissez le disque atteindre sa pleine vitesse et réinsérez-le dans la coupe avec précaution.** Le disque peut se coincer, se soulever ou rebondir si l'outil est redémarré dans la pièce à scier.
- g) **Soutenez les panneaux ou les grandes pièces afin de minimiser le risque de pincement du disque et les rebonds.** Les grandes pièces ont tendance à s'affaisser sous leur propre poids. Des supports doivent être placés sous la pièce, près de la ligne de coupe et près des bords, des deux côtés du disque.
- h) **Prenez des précautions supplémentaires pour les découpes de cavités dans des murs existants ou dans toute zone à visibilité limitée.** La partie saillante du disque peut tronçonner des tuyaux de gaz ou d'eau, des câbles électriques ou des objets pouvant provoquer un rebond.

INSTRUCTIONS DE SÉCURITÉ SUPPLÉMENTAIRES POUR LES OPÉRATIONS DE BROSSAGE MÉTALLIQUE

Avertissements de sécurité spécifiques pour les opérations de brossage métallique:

- a) **Gardez à l'esprit que des brins de fil métallique peuvent être projetés par la brosse même en cas d'utilisation normale. Ne forcez pas sur les fils en appliquant une trop grande force sur la brosse.** Les brins de fil peuvent facilement pénétrer les vêtements légers et/ou la peau.
- b) **Laissez les brosses fonctionner à leur vitesse de service pendant au moins une minute avant de les utiliser. Pendant ce délai, personne ne doit se tenir devant ou en alignement avec la brosse.** Les brins ou les fils détachés peuvent être projetés pendant la phase de démarrage.
- c) **Dirigez loin de vous la partie refoulement des brosses métalliques en rotation.** De petites particules et des fragments fins de fils métalliques peuvent être projetés à n'importe quelle vitesse pendant l'utilisation de ces brosses et ils peuvent pénétrer dans votre peau.

POUR LE CHARGEUR

Utilisation prévue

Ne rechargez que les bloc-batteries rechargeables. Les autres types de batteries peuvent éclater et provoquer des blessures ou des dommages.

- a) **L'appareil n'est pas destiné à être utilisé par des personnes (notamment des enfants) souffrant de déficiences physiques, sensorielles ou mentales, ou par des personnes inexpérimentées ou non formées. Toute utilisation doit se faire sous la surveillance d'une personne responsable et avec les instructions appropriées.**
- b) **Même sous surveillance, les enfants ne doivent pas jouer avec l'appareil.**
- c) **Ne rechargez pas les batteries non rechargeables!**
- d) **Veillez effectuer la recharge des batteries dans un endroit bien ventilé!**
- e) **Les accus intégrés ne doivent être retirés que par une personne qualifiée et uniquement pour leur mise au rebut.** L'outil électroportatif risque d'être endommagé lors de l'ouverture de la coque de boîtier. Pour retirer l'accu de l'outil électroportatif, actionnez l'interrupteur Marche / Arrêt (5) jusqu'à ce que l'accu soit entièrement déchargé. Dévissez les vis du carter et retirez la coque du carter. Pour éviter un court-circuit, débranchez les connexions de l'accu séparément, l'une après l'autre, et isolez ensuite les pôles. Même à l'état déchargé, l'accu conserve une capacité résiduelle risquant de produire un courant en cas de court-circuit.

Sécurité électrique

Lors d'utilisation de machines électriques, observez les consignes de sécurité locales en vigueur en matière de risque d'incendie, de chocs électriques et de lésion corporelle. Lisez les instructions ci-dessous.



Vérifiez toujours si la tension de votre réseau correspond à la valeur mentionnée sur la plaque signalétique.



Machine de la classe II – Double isolation – vous n'avez pas besoin d'une prise avec mise à terre.

2. INFORMATIONS RELATIVES LA MACHINE

Utilisation prévue

Cet outil électrique a été conçu pour le meulage, le ponçage, le brossage métallique, le polissage, le sculptage ou le tronçonnage. Cet outil combiné est parfait pour rectifier les matières comme le bois, le plastique, la pierre, les coques en aluminium, le laiton et l'acier. Utilisez toujours des accessoires adaptés et les bonnes vitesses.

SPÉCIFICATIONS TECHNIQUES

N° de modèle	CT503DC
Batterie rechargeable	4V Li-ion 600mAh
Durée de charge de la batterie	2 heures
Diamètre maximal du disque	Ø35 mm
Diamètre maximale de foret	Ø2,3 mm
Vitesse à vide	5000/10000/15000/min
Capacité griffe de serrage	2,3 mm
Poids	0,1 kg
Lpa (pression sonore)	79+3 dB(A)
Lwa (puissance sonore)	90+3 dB(A)
Valeur vibratoire	1,177+1,5 m/s ²

Niveau de vibrations

Le niveau de vibrations émises indiqué en ce manuel d'instruction a été mesuré conformément à l'essai normalisé de la norme EN 60745; il peut être utilisé pour comparer plusieurs outils et pour réaliser une évaluation préliminaire de l'exposition aux vibrations lors de l'utilisation de l'outil pour les applications mentionnées.

- l'utilisation de l'outil dans d'autres applications, ou avec des accessoires différents ou mal entretenus, peut considérablement augmenter le niveau d'exposition.
- la mise hors tension de l'outil et sa nonutilisation pendant qu'il est allumé peuvent considérablement réduire le niveau d'exposition.

Protégez-vous contre les effets des vibrations par un entretien correct de l'outil et de ses accessoires, en gardant vos mains chaudes et en structurant vos schémas de travail.

DESCRIPTION

Les numéros dans le texte se rapportent aux schémas des pages 2-4.

1. Mandrin
2. Verrouillage de l'axe
3. Bouton Marche/Arrêt et bouton de réglage de la vitesse
4. Témoins de vitesse
5. Témoin du chargeur
6. Câble du chargeur

3. MONTAGE



Assurez-vous toujours que la machine est éteinte avant d'installer un accessoire.



Avertissement ! Changez les accessoires en les introduisant au maximum dans le collier (ou le mandrin), afin de minimiser les déséquilibres et d'éviter qu'ils ne ressortent.

Montage des accessoires (Fig. B)

Maintenez le bouton de verrouillage de l'axe (2) enfoncé. Dévissez la bague du mandrin (1) à la main. Installez l'accessoire à sa place. Enfoncez le bouton de verrouillage de l'axe (2) pour resserrer la bague du mandrin (1).



N'appuyez pas sur le bouton de blocage de l'axe lorsque le moteur fonctionne.

4. FONCTIONNEMENT

Mettez la machine en marche en appuyant sur le bouton Marche/Arrêt (3). Si vous appuyez une nouvelle fois sur le bouton Marche/Arrêt (3), la machine passe à la vitesse 2, appuyez une troisième fois et la machine passe à la vitesse 3. Si vous appuyez une quatrième fois sur le bouton Marche/Arrêt (3), la machine s'éteint. Ne reposez pas la machine, tant que le moteur tourne encore. Ne posez pas la machine sur une surface poussiéreuse. Des particules de poussière pourraient pénétrer dans le mécanisme.



Une charge trop élevée par une vitesse trop basse du Multitour peut faire griller le moteur.

La batterie doit être complètement rechargée avant la première utilisation.

Recharger la machine (à l'aide du chargeur)

- Branchez le câble du chargeur (6) (fourni) dans un adaptateur (non fourni).
- Branchez le câble du chargeur (6) dans la machine. (Fig. J)
- Branchez la prise du chargeur dans une prise électrique murale et patientez un moment. Le témoin du chargeur (5) s'allume et indique l'état de la charge.

LED	État du chargeur
Rouge	Batterie en cours de charge
Vert	Charge de la batterie terminée, batterie complètement chargée

- Une fois la batterie complètement rechargée, retirez la prise du chargeur de la prise murale et retirez la petite prise de l'appareil.

Tenir et guider l'outil (Fig. C)

- Pour les travaux de précision (gravure): tenir la machine comme un stylo (C1)
- Pour les travaux plus grossiers (meulage): tenir par la poignée comme un couteau à éplucher (C2)
- Si vous devez garder l'outil parallèle à la surface de l'ouvrage (en utilisant un disque de tronçonnage par exemple): Comme une poignée de club de golf à deux mains (C3)

Utilisation optimale de l'outil combiné et de ses accessoires (Fig. A)

Pour utiliser les accessoires de façon optimale, utilisez la bonne vitesse. Vous pouvez consulter l'aperçu "Paramétrage recommandé pour la vitesse" ci-dessous afin de déterminer la bonne vitesse en fonction de la matière sur laquelle vous travaillez et le type d'accessoire utilisé. Cette vue d'ensemble vous permet de sélectionner à la fois le bon accessoire et la vitesse optimale.

Les 3 témoins de vitesse (4) correspondent aux chiffres 1, 2 et 3 de la vue d'ensemble "Paramétrage recommandé pour la vitesse". Finalement, le meilleur moyen de déterminer la bonne vitesse pour travailler n'importe quelle matière est de s'entraîner sur des chutes.

PARAMÉTRAGE RECOMMANDÉ POUR LA VITESSE

Pierres à aiguiser (Fig. D)

Matériau	Vitesse
Pierre, coquille	1-2
Acier	2-3
Aluminium, laiton	2
Plastique	1-2

Disque et pointe en feutre (Fig. E)

Les accessoires en feutre doivent être montés sur l'axe fourni.

Matériau	Vitesse
Acier	2-3
Aluminium, laiton	2
Plastique	2-3

Bandes et disques à poncer (disque de ponçage non fourni) (Fig. F)

Matériau	Vitesse
Bois	3
Acier	1-2
Aluminium, laiton	2
Plastique	1-2

Pinceau en soie de porc (Fig. G)

Matériau	Vitesse
Pierre, coquille	2
Aluminium, laiton	2

Brosses en acier inoxydable et non métalliques (Fig. H)

Matériau	Vitesse
Pierre, coquille	3
Acier	2
Aluminium, laiton	3
Plastique	1-2

Disque abrasif (non fourni) (Fig. I)

Matériau	Vitesse
Acier	2-3
Aluminium, laiton	2
Plastique	1-2

5. ENTRETIEN

Assurez-vous d'éteindre la machine avant de procéder à des opérations de maintenance sur le système mécanique.

Nettoyez régulièrement le carter au moyen d'un chiffon doux, de préférence à l'issue de chaque utilisation. Veillez à ce que les fentes d'aération soient indemnes de poussière et de saletés. En présence de saleté tenace, employez un chiffon doux humecté d'eau savonneuse. Proscrivez l'emploi de solvants comme l'essence, l'alcool, l'ammoniaque etc. car ces substances attaquent les pièces en plastique.

ENVIRONNEMENT

Tout équipement électronique ou électrique défectueux dont vous souhaitez vous débarrasser doit être déposé dans un centre de collecte adapté.

Uniquement pour les pays CE

Ne jetez pas les outils électriques avec les déchets domestiques. Selon la directive européenne 2012/19/EU « Déchets d'équipements électriques et électroniques » et sa mise en oeuvre dans le droit national, les outils électriques hors d'usage doivent être collectés séparément et mis au rebut de manière écologique.

GARANTIE

Les produits VONROC sont développés aux plus hauts standards de qualité et ils sont garantis contre les défauts de pièces et de main d'oeuvre pendant la durée légale stipulée à partir de la date d'achat d'origine du produit. En cas d'une quelconque panne du produit pendant cette durée qui serait due à un défaut matériel et/ou de main d'oeuvre, contactez directement VONROC.

Les circonstances suivantes ne sont pas prises en charge par la garantie:

- Des réparations ou altérations ont été effectuées ou tentées sur la machine par un centre de réparation non agréé.
- L'usure normale.
- L'outil a été maltraité, mal utilisé ou mal entretenu.
- Des pièces détachées non d'origine ont été utilisées

Ceci constitue l'unique garantie accordée par la société explicitement ou implicitement. Il n'existe aucune autre garantie, explicite ou implicite, qui peut s'étendre au delà du contenu ici présent, y compris les garanties marchandes ou d'adaptation à des fins particulières. En aucun cas VONROC ne sera tenu responsable de dommages accidentels ou consécutifs. Les solutions proposées par les revendeurs devront se limiter à la réparation ou le remplacement des éléments ou pièces non conformes.

Le produit et le manuel d'utilisation sont sujets à modifications. Les spécifications peuvent changer sans préavis.

1. NORMAS DE SEGURIDAD

Lea las advertencias de seguridad, las advertencias de seguridad adicionales y las instrucciones adjuntas. Si no respeta las advertencias de seguridad y las instrucciones, pueden ocasionarse descargas eléctricas, incendios y/o lesiones graves. Guarde las advertencias de seguridad y las instrucciones para su futura consulta.

En el manual de usuario y en el producto se emplean los siguientes símbolos:



Indica peligro de accidente, de muerte o riesgo de provocar averías en el aparato en caso de no seguir las instrucciones de este manual.



Riesgo de choque eléctrico.



Se puede establecer el número de revoluciones de la máquina de forma electrónica.



Use solo en interiores.



Utilice siempre protectores oculares. Utilice protectores auditivos.



Utilice gafas protectoras.



Não elimine o produto em recipientes não adequados.



Máquina de clase II - Doble aislamiento - No necesita enchufe con puesta a tierra.



Temperatura máx. 40°C



No arroje la batería al fuego.



No arroje la batería al agua.



No tire el producto en contenedores no apropiados.



Recogida selectiva de la batería de iones de litio.



El producto es conforme a las normas de seguridad aplicables según las directivas europeas.

INSTRUCCIONES GENERALES DE SEGURIDAD



PRECAUCIÓN! Lea todas las advertencias de seguridad y todas las instrucciones. Si no lo hace, el uso indebido puede acarrear cortocircuitos, fuego o lesiones graves.

Conserve estas instrucciones.

El término "herramienta eléctrica", en todas las advertencias enumeradas a continuación se refiere a su herramienta eléctrica (i nalámbrica) que funciona con una batería o a través de la red eléctrica.

1) Área de trabajo

- a) **Trabaje en un lugar limpio y bien iluminado.** Lugares no iluminados o sucios propician accidentes.
- b) **No use herramientas eléctricas donde haya riesgo de fuego o explosión, p.ej: cerca de líquidos o gases inflamables, polvo etc.** Las herramientas eléctricas producen chispas que pueden producir la ignición de partículas de humo.
- c) **Mantenga a los niños y otras personas alejados mientras utiliza la herramienta eléctrica.** Las distracciones pueden hacer que pierda el control de la herramienta.

2) Seguridad eléctrica

- a) **Cerciórese de que las clavijas de la herramienta eléctrica están correctamente enchufadas. Nunca modifique la clavija. No utilice ningún adaptador para la clavija de una herramienta eléctrica con conexión a tierra.** Las clavijas que no se hayan cambiado y los enchufes adecuados reducen el riesgo de cortocircuitos.
- b) **Evite el contacto humano con superficies con conexiones a tierra como tubos metálicos, conductos, tubos de la calefacción, radiadores y refrigeradores.** El riesgo de cortocircuitos es mayor cuando el cuerpo está en contacto con el suelo.
- c) **No use herramientas eléctricas bajo la lluvia o en entornos húmedos.** Si entra agua en una herramienta eléctrica aumenta el riesgo de cortocircuito.
- d) **No utilice el cable para todo. Nunca utilice el cable para mover la máquina, empujarla o sacar la clavija del enchufe. Mantenga el cable alejado del calor, aceite, zonas cortantes o piezas en movimiento.** Los cables dañados o enredados aumentan el riesgo de cortocircuito.
- e) **Use un cable alargador impermeable adecuado para exteriores cuando trabaje con la herramienta eléctrica al aire libre.**

El riesgo de cortocircuito es menor si utiliza un cable alargador adecuado para exteriores.

- f) **Si no se puede evitar el uso de la herramienta eléctrica en un lugar húmedo, use suministro protegido mediante dispositivo diferencial residual (DDR).** El uso de un DDR reduce el riesgo de choque eléctrico.
 - h) **No permita que la familiaridad adquirida con el uso frecuente de las herramientas le haga confiarse e ignorar los principios de seguridad de las herramientas.** Una acción descuidada puede causar lesiones graves en una fracción de segundo.
- 3) Seguridad personal**
- a) **No se descuide, preste atención a lo que está haciendo y utilice el sentido común mientras trabaje con esta herramienta. No use herramientas eléctricas cuando esté cansado o esté bajo los efectos del alcohol, las drogas o los medicamentos.** Un momento de distracción, mientras utilice la herramienta eléctrica, puede provocar lesiones personales graves.
 - b) **Use equipo de protección individual. Use siempre gafas protectoras.** El uso en condiciones apropiadas del equipo de seguridad como por ejemplo: mascarilla antipolvo, zapatos antideslizantes de seguridad, casco o protección para los oídos, disminuye el riesgo de sufrir lesiones personales.
 - c) **Evite arranques involuntarios. Asegúrese de que el interruptor está en la posición de apagado antes de conectarlo a la fuente de electricidad.** Transportar herramientas eléctricas con el dedo puesto sobre el interruptor o enchufarlas con el interruptor encendido puede causar accidentes.
 - d) **Quite cualquier llave de ajuste antes de encender la herramienta eléctrica.** Una llave olvidada junto a una pieza móvil de la herramienta eléctrica puede provocar lesiones personales graves.
 - e) **No se estire demasiado. Mantenga siempre el equilibrio y tenga los pies en el suelo.** Esto permite un mayor control de la herramienta eléctrica en situaciones inesperadas.
 - f) **Vístase apropiadamente. No lleve prendas holgadas o joyas. Mantenga su pelo, ropa y guantes alejados de las piezas móviles.** Las prendas holgadas, las joyas y el pelo largo pueden quedar atrapados en las piezas móviles.
 - g) **Si se han suministrado dispositivos para la extracción y recogida de polvo asegúrese de que estos estén conectados y se utilicen co-**

rectamente. El uso de estos dispositivos puede reducir los riesgos relacionados con el polvo.

- h) **Mantenga las asas y las superficies de agarre secas, limpias y libres de aceite y grasa.** Las asas y las superficies de agarre resbaladizas no permiten un manejo y control seguros de la herramienta en situaciones inesperadas.
- 4) Utilización y cuidados de la herramienta eléctrica**
- a) **No fuerce la herramienta eléctrica. Utilice la herramienta eléctrica adecuada para el trabajo que vaya a realizar.** Una herramienta eléctrica apropiada realizará un trabajo mejor y más seguro si se utiliza para el objetivo con el que ha sido diseñada.
 - b) **No use herramientas que no pueden encenderse o apagarse con el interruptor.** Las herramientas que ya no se puedan encender y apagar son peligrosas y deben repararse.
 - c) **Desenchufe la clavija de la toma de electricidad antes de realizar modificaciones, cambiar accesorios o guardar las herramientas eléctricas.** Tales medidas de seguridad preventivas reducen el riesgo de la puesta en marcha accidental.
 - d) **Mantenga a los niños alejados de una herramienta eléctrica sin utilizar y no permita a personas que no estén familiarizadas con la máquina o estas instrucciones utilizar la herramienta.** La herramienta eléctrica puede ser peligrosa cuando la utilicen personas sin experiencia.
 - e) **Conserve sus herramientas cuidadosamente. Verifique cualquier desalineación o agrietamiento de piezas móviles, piezas dañadas y cualquier otra causa, que pudiera repercutir en el buen funcionamiento de la herramienta eléctrica. Si la herramienta está estropeada, repárela antes de utilizarla.** Muchos de los accidentes están causados por un mantenimiento insuficiente del equipo eléctrico.
 - f) **Mantenga las herramientas de corte limpias y afiladas.** Sierras con esquinas cortantes con un buen mantenimiento se bloquean menos y son más fáciles de controlar.
 - g) **Utilice la herramienta eléctrica, accesorios y brocas etc. Siguiendo las instrucciones atendiendo al tipo de herramienta eléctrica y tenga en cuenta las condiciones de trabajo y el tipo de trabajo que se va a realizar.** Puede ser peligroso realizar trabajos con la herramienta diferentes de aquellos para los que está diseñada.

5) Uso y cuidado de las herramientas alimentadas por batería

- a) **Recargue las baterías únicamente con el cargador recomendado por el fabricante.** Un cargador que es apto para un tipo de baterías determinado puede provocar riesgo de incendio si se usa para cargar otra clase de baterías.
 - b) **Use las herramientas eléctricas sólo con las baterías indicadas específicamente.** El uso de otra clase de baterías diferente puede ocasionar el riesgo de derivar en lesiones o un incendio.
 - c) **Cuando el paquete de baterías no esté en uso, consérvelo retirado de objetos metálicos como sujetapapeles, monedas, llaves, clavos, tornillos o cualquier otro objeto metálico pequeño que pueda hacer puente entre las terminales.** El contacto entre las terminales de la batería puede causar quemaduras o incendio.
 - d) **Bajo condiciones extremas de abuso la batería podría expulsar un líquido; evite todo contacto. Si se produjese contacto accidentalmente, lávese bien con agua. Si el líquido hace contacto con los ojos, consulte también al médico.** El líquido emanado de la batería puede causar irritaciones o quemaduras.
 - e) **No utilice una batería o una herramienta que esté dañada o modificada.** Las baterías dañadas o modificadas pueden presentar un comportamiento impredecible y provocar un incendio, una explosión o riesgo de lesiones.
 - f) **No exponga una batería o una herramienta al fuego o a temperatura excesiva.** La exposición al fuego o a temperaturas superiores a 130 °C puede provocar una explosión. NOTA La temperatura "130 °C" puede sustituirse por la temperatura "265 °F".
 - g) **Siga todas las instrucciones de carga y no cargue la batería o la herramienta fuera del rango de temperatura especificado en las instrucciones.** La carga incorrecta o a temperaturas fuera del rango especificado puede causar daños a la batería y aumentar el riesgo de incendio.
- 6) Servicio**
- a) **Haga reparar su herramienta eléctrica por una persona cualificada, usando solo piezas de repuesto idénticas.** Esto garantiza que se mantenga la seguridad de la herramienta eléctrica.
 - b) **Nunca repare las baterías dañadas.** El mantenimiento de las baterías debe ser realizado solo

por el fabricante o los proveedores de servicio autorizados.

INSTRUCCIONES DE SEGURIDAD ESPECÍFICAS

- a) **Esta herramienta eléctrica ha sido concebida para funcionar como amoladora, lijadora, cepilladora, pulidora, talladora o cortadora. Lea todas las advertencias de seguridad, las instrucciones, las ilustraciones y las especificaciones suministradas con esta herramienta eléctrica.** En caso de no seguir todas las instrucciones indicadas más adelante pueden producirse descargas eléctricas, incendios o lesiones graves.
- c) **No use accesorios que no hayan sido especialmente diseñados por el fabricante de la herramienta y que no estén recomendados por este.** Puesto que el accesorio puede acoplarse a la herramienta eléctrica, no garantiza un funcionamiento seguro.
- d) **La velocidad nominal de los accesorios de amolado debe ser por lo menos igual a la velocidad máxima indicada en la herramienta eléctrica.** Los accesorios de amolado que funcionen más rápido que la velocidad nominal pueden romperse y volar en pedazos.
- e) **El diámetro externo y el espesor del accesorio deben corresponder a la capacidad nominal de la herramienta eléctrica.** Los accesorios de dimensiones incorrectas no pueden ser controlados en modo adecuado.
- f) **El tamaño del eje de los discos, tambores de lijado o cualquier otro accesorio debe corresponder exactamente con el eje o el collarín de la herramienta.** Los accesorios que no coincidan con el soporte de montaje de la herramienta quedarán desequilibrados, vibrarán excesivamente y pueden ocasionar la pérdida de control.
- g) **Los discos montados en mandriles, tambores de lijado, hojas u otros accesorios deben estar totalmente insertados en el collarín o el mandril.** Si el mandril no está bien sujeto y/o la saliente del disco es demasiado larga, el disco montado puede aflojarse y ser despedido a alta velocidad.
- h) **No use accesorios dañados. Antes de cada uso, controle que los accesorios tales como los discos abrasivos no estén astillados ni rajados, los tambores de lijado no estén rajados, partidos o excesivamente desgastados, que los cepillos no tengan alambres sueltos o cortados. Si la**

herramienta eléctrica o el accesorio se caen, controle que no tengan daños o instale un accesorio sin daños. Después de controlar e instalar un accesorio, aléjese y haga alejar a otras personas del plano del accesorio giratorio y haga funcionar la herramienta a máxima velocidad sin carga durante un minuto. Los accesorios dañados por lo general se separan durante este tiempo de prueba.

- i) **Use dispositivos de protección individual. Dependiendo de la aplicación, use máscara facial, anteojos o gafas de seguridad. En su caso, use mascarilla antipolvo, protectores auditivos, guantes y delantal de trabajo capaces de detener peños fragmentos abrasivos o fragmentos de piezas de trabajo.** La protección ocular debe ser capaz de detener los residuos volantes generados por las diferentes operaciones. La mascarilla o careta contra el polvo debe ser capaz de filtrar las partículas generadas durante el funcionamiento. La exposición prolongada al ruido intenso puede causar pérdida auditiva.
- j) **Mantenga a las personas ajenas alejadas de la zona de trabajo. Todos los que accedan a la zona de trabajo deben usar equipo de protección individual.** Los fragmentos de la pieza de trabajo o de un accesorio roto pueden salir volando y causar lesiones más allá de la zona de funcionamiento.
- k) **Aferre la herramienta solo por las superficies de agarre aisladas cuando realice operaciones en que el accesorio de corte pueda entrar en contacto con cables ocultos.** Si el accesorio de corte entra en contacto con un cable bajo tensión, puede hacer que las piezas metálicas expuestas de la herramientas se carguen causando una descarga eléctrica al operador.
- l) **Siempre aferre bien la herramienta con las manos durante el arranque.** El par de reacción del motor al acelerar a máxima velocidad puede hacer que la herramienta gire.
- m) **Use abrazaderas para fijar la pieza de trabajo siempre que sea factible. Nunca aferre una pieza pequeña en una mano y la herramienta en la otra mientras la usa.** Fijar una pieza de trabajo pequeña le permite usar ambas manos para controlar la herramienta. Los materiales redondeados tales como las varillas, tubos o conductos tienden a girar mientras se los corta, y pueden hacer que la broca se atasque o salte hacia usted.

- n) **Coloque el cable de modo que no interfiera con el accesorio rotante.** Si pierde el control, el cable puede cortarse o engancharse y lo puede tirar con la mano o el brazo hacia el accesorio rotante.
- o) **Nunca apoye la herramienta eléctrica hasta que el accesorio se haya detenido completamente.** El accesorio rotante puede coger la superficie y hacerle perder el control del cable de corriente.
- p) **Después de cambiar las brocas o de hacer cualquier ajuste, compruebe que la tuerca del collarín, el mandril o cualquier otro dispositivo de ajuste esté bien ajustado.** Los dispositivos que tienen flojo el ajuste pueden deslizarse improvisamente, causando la pérdida de control y perder los componentes giratorios lanzándolos violentamente.
- q) **No haga funcionar la herramienta eléctrica mientras la transporta consigo.** El contacto accidental con el accesorio rotante puede hacer que se enganche la ropa, tirando el accesorio hacia el cuerpo.
- r) **Limpiar regularmente las salidas de aire de la herramienta eléctrica.** El ventilador del motor atrae el polvo hacia el interior de la carcasa y la excesiva acumulación de metal pulverizado puede causar riesgos eléctricos.
- s) **No haga funcionar la herramienta eléctrica cerca de materiales inflamables.** Las chispas pueden encender estos materiales.
- t) **No use accesorios que requieran líquidos refrigerantes.** Usar agua u otro líquido refrigerante puede causar electrocución o descarga eléctrica.

Rebotes y advertencias relacionadas

El rebote es una reacción repentina a un apretón o enganche en el disco rotatorio, plato de soporte, cepillo o cualquier otro accesorio. Los apretones o enganches causan paros rápidos del accesorio rotatorio que, a su vez, hacen que la herramienta sin control se fuerce en la dirección opuesta a la rotación del accesorio. Por ejemplo, si la pieza de trabajo engancha o aprieta un disco abrasivo, el borde del disco que entra en el punto del apretón puede penetrar en la superficie del material haciendo que el disco salte o rebote. El disco puede saltar hacia el operador o en el sentido contrario, dependiendo de la dirección del movimiento del disco en el punto de apriete. Los discos abrasivos también pueden romperse en estas condiciones. El rebote es el resultado del mal uso de la herramienta.

ta y/o el procedimiento o condiciones de funcionamiento incorrectos y puede evitarse tomando las medidas de precaución adecuadas que se indican a continuación.

- a) **Mantenga aferrada firmemente la herramienta y coloque las manos y el cuerpo de modo que resistan a la fuerza de rebote.** El operador puede controlar las fuerzas de rebote si adopta las debidas precauciones.
- b) **Tenga especial cuidado cuando trabaje en las esquinas, aristas, etc. Evite hacer rebotar y atascar el accesorio.** Las esquinas, aristas o rebotes tienden a enganchar el accesorio rotante y a causar pérdida de control o inversión de dirección.
- c) **No monte una hoja de sierra dentada.** Estas hojas producen frecuentes rebotes y pérdida de control.
- d) **Siempre haga avanzar la broca en el material en la misma dirección en que el borde de corte sale del material (que es la misma dirección en que son arrojadas las astillas).** Hacer avanzar la herramienta en dirección errónea hace que el borde de corte de la broca salte de la pieza de trabajo y tire la herramienta en la dirección en esa dirección.
- e) **Cuando use limas rotativas, discos de corte, hojas de alta velocidad o de carburo de tungsteno, mantenga siempre bien fijada la pieza de trabajo.** Estos discos se enganchan si se inclinan ligeramente en la ranura, y pueden rebotar. Cuando un disco de corte se atasca, generalmente se rompe. Cuando una lima rotatoria, hoja de alta velocidad o de carburo de tungsteno se atasca, puede saltarse de la ranura y usted puede perder el control de la herramienta.

OTRAS INSTRUCCIONES DE SEGURIDAD PARA OPERACIONES DE AMOLADO Y DE CORTE

Advertencias De Seguridad Comunes Para Operaciones De Desbaste O Corte Mediante Disco Abrasivo:

- a) **Use solamente los tipos de discos recomendados para su herramienta eléctrica y para las aplicaciones recomendadas. Por ejemplo: no amole con el costado de un disco de corte.** Los discos de corte abrasivo han sido diseñados para amolado periférico, si se aplica una fuerza lateral a estos discos, se pueden astillar.
- b) Para conos y conectores abrasivos roscados, use solo mandriles de discos no dañados con brida de resalte del tamaño y largo correcto.

Los mandriles correctos reducen la posibilidad de roturas.

- c) **No “atasque” el disco de corte ni ejercite una presión excesiva. No intente realizar un corte de profundidad excesiva.** Sobrecargar el disco aumenta la carga y la susceptibilidad de retorcimiento o atascamiento del disco durante el corte y la posibilidad de rebote y o rotura del disco.
- d) **No coloque la mano en línea con el disco rotativo y detrás de él.** Cuando el disco, en el punto de operación, se aleja de su mano, el posible rebote puede impulsar el disco rotativo y la herramienta eléctrica directamente hacia usted.
- e) **Cuando el disco se atasca o se engancha, o cuando interrumpa el corte por cualquier motivo, apague la herramienta eléctrica y manténgala inmóvil hasta que el disco se detenga completamente.** Nunca intente extraer el disco de corte mientras está en movimiento, pues puede producirse un rebote. Averigüe y tome medidas correctivas para eliminar la causa del apretón o enganche del disco.
- f) **No reinicie la operación de corte en la pieza. Deje que el disco alcance la máxima velocidad y vuelva a entrar con cuidado en el corte.** El disco puede agarrotarse, acercarse o rebotar si la herramienta eléctrica se reinicia en la pieza de trabajo.
- g) **Coloque paneles de soporte o cualquier pieza sobredimensionada para minimizar el riesgo de apretones y rebotes del disco.** Las piezas de trabajo grandes tienden a hundirse bajo su propio peso. Los soportes deben colocarse debajo de la pieza de trabajo, cerca de la línea de corte y cerca del borde de la pieza a ambos lados del disco.
- h) **Use precauciones extra cuando haga un “corte de bolsillo” en paredes existentes u otras zonas ciegas.** Si el disco sobresale puede cortar tubos de gas o de agua, cableados eléctricos y objetos que pueden causar rebote.

INSTRUCCIONES DE SEGURIDAD ADICIONALES PARA LAS OPERACIONES DE CEPILLADO METÁLICO

Advertencias de seguridad específicas para las operaciones de cepillado metálico:

- a) **Tenga en cuenta que el cepillo aplica las cerdas metálicas incluso durante las operaciones habituales. No sobrecargue los alambres ejerciendo demasiada fuerza sobre el cepillo.** Las cerdas metálicas pueden penetrar fácilmente en ropa ligera o en la piel.

- b) **Antes de utilizarlos, deje que los cepillos funcionen a velocidad de operación durante un minuto. Durante este tiempo, evite la presencia de personas delante del cepillo o en su recorrido.** Las cerdas o alambres sueltos saldrán disparados durante el periodo de rodaje.
- c) **Aleje la proyección del cepillo metálico giratorio de usted.** Durante el uso de estos cepillos, pueden salir disparados pequeños fragmentos de alambre y partículas a gran velocidad que se le pueden clavar en la piel.

PARA EL CARGADOR

Uso previsto

Cargue solo las baterías recargables. Otros tipos de baterías pueden estallar y causar lesiones y daños.

- a) **El aparato no debe ser usado por personas (incluidos niños) con capacidad física, sensorial o mental reducida, o que no tengan experiencia o conocimiento, salvo que hayan sido capacitadas o estén bajo supervisión.**
- b) **Controle que los niños no jueguen con el aparato.**
- c) **No recargue baterías no recargables.**
- d) **Durante la carga, las baterías deben colocarse en un lugar ventilado.**
- e) **Las baterías integradas solamente podrán ser retiradas por personal técnico cualificado.** Puede dañar la herramienta eléctrica si abre la carcasa del compartimento. Para sacar la batería de la herramienta eléctrica, pulse el interruptor de encendido/apagado (On/Off) (5) hasta que la batería se descargue por completo. Afloje los tornillos del compartimento y retire la carcasa para sacar la batería. Para evitar cortocircuitos, desconecte los conectores de la batería uno por uno y, a continuación, aisle los polos. Incluso descargada por completo, la batería sigue conteniendo una capacidad residual, que puede liberarse en caso de cortocircuito.

Seguridad eléctrica

Tenga siempre presentes las normas de seguridad locales con respecto al peligro de incendio, peligro de sufrir descargas eléctricas y peligro de accidentes. Lea, además de las instrucciones que siguen a continuación, las normas de seguridad que aparecen en el cuadernillo anexo. Guarde cuidadosamente las instrucciones.



Controle que la tensión de la red sea la misma que la que aparece indicada en la placa.



Herramienta de tipo II – Doble aislamiento – No requiere enchufe con conexión a tierra.

2. INFORMACIÓN DE LA MÁQUINA

Uso previsto

Esta herramienta eléctrica ha sido concebida para funcionar como amoladora, lijadora, cepilladora, pulidora, cincel y herramienta de corte. Esta herramienta combinada es perfecta para trabajar materiales como madera, plástico, piedra, aluminio exterior, latón y acero. Utilice siempre los accesorios y la velocidad adecuados.

CARACTERÍSTICAS TÉCNICAS

Modelo n.º	CT503DC
De la batería recargable	4V Li-ion 600mAh
Tiempo de carga de la batería	2 horas
Diámetro máximo de disco	Ø35 mm
Diámetro máximo de broca	Ø2,3 mm
Velocidad en vacío	5000/10000/15000/min
Capacidad de la mordaza	2,3 mm
Peso	0,1 kg
Lpa (volumen de sonido)	79+3 dB(A)
Lwa (potencia acústica)	90+3 dB(A)
Valor de vibración	1,177+1.5 m/s ²

Nivel de vibración

El nivel de emisión de vibraciones indicado en este manual de instrucciones ha sido medido según una prueba estándar proporcionada en EN 60745; puede utilizarse para comparar una herramienta con otra y como valoración preliminar de la exposición a las vibraciones al utilizar la herramienta con las aplicaciones mencionadas.

- al utilizarla para distintas aplicaciones o con accesorios diferentes o con un mantenimiento deficiente, podría aumentar de forma notable el nivel de exposición.
- en las ocasiones en que se apaga la herramienta o cuando está funcionando pero no está realizando ningún trabajo, se podría reducir el nivel de exposición de forma importante.

Protéjase contra los efectos de la vibración realizando el mantenimiento de la herramienta y sus accesorios, manteniendo sus manos calientes y organizando sus patrones de trabajo.

DESCRIPCIÓN

Los números del texto se refieren a los diagramas de las páginas 2-4

1. Mandril de pinza
2. Botón del husillo
3. Botón de encendido/apagado y botón de ajuste de velocidad
4. Luces indicadoras de velocidad
5. Luz indicadora del cargador
6. Cable de carga

3. MONTAJE



Extraiga siempre la batería antes de montar un accesorio.



¡Aviso! Cambie los accesorios insertándolos completamente dentro de la boquilla de mordazas convergentes para minimizar el riesgo de desequilibrio o desprendimiento de la pieza.

Montaje de los accesorios (Fig. B)

Pulse el botón de bloqueo del husillo (2) y manténgalo pulsado. Desenrosque el mandril de pinza (1) con la mano. Ponga el accesorio en su lugar. Apriete el botón de bloqueo del husillo (2) cuando apriete el mandril de pinza (1).



No apriete el botón de bloqueo del husillo mientras el motor está en funcionamiento.

4. FUNCIONAMIENTO

Encienda la máquina pulsando el interruptor de encendido/apagado (On/Off) (3). Presionando el botón de encendido/apagado (3) por segunda vez, la máquina se ajusta en la velocidad 2, y presionándolo por tercera vez, la máquina se ajusta en la velocidad 3. Presionando el botón de encendido/apagado (3) por cuarta vez, la máquina se apaga. No ponga la herramienta hacia abajo cuando el motor todavía esté en funcionamiento. No ponga la máquina sobre una superficie con polvo. Las partículas de polvo podrían penetrar en el mecanismo.



Al utilizar el Multiherramienta a una velocidad baja con trabajos de alta intensidad, se puede llegar a sobrecargar el motor.

Debe cargarse la batería antes de usar por primera vez la herramienta.

Carga de la batería (con el cargador)

- Enchufe el cable del cargador (6) (suministrado) en un adaptador (no suministrado).
- Enchufe el cable del cargador (6) en la máquina. (Fig. J)
- Enchufe el enchufe del cargador en una toma de corriente eléctrica y espere un poco. Los indicadores de LED se encenderán y mostrarán el estado del cargador.

LED	Estado del cargador
Rojo	Carga de la batería en curso
Verde	Ha finalizado la carga de la batería, batería totalmente cargada

- Después de que la batería esté totalmente cargada, desenchufe el enchufe del cargador de la toma de corriente y extraiga la batería del cargador.

Sujeción y guía de la herramienta (Fig. C)

- Para trabajos de precisión (grabado): empuñadura de lápiz (C1)
- Para trabajos duros (amoladura): empuñadura manual de cuchillo pelador (C2)
- Cuando necesite mantener la herramienta en paralelo con la superficie de trabajo (p. ej., utilizando un disco de corte): Empuñadura de golf con las dos manos (C3)

Uso óptimo de la herramienta combinada y sus accesorios (Fig. A)

Para realizar un uso óptimo de los accesorios, utilice la velocidad correcta. Consulte la descripción general del apartado “Ajuste de velocidad recomendado”, a continuación, para determinar la velocidad correcta en función del material que vaya a trabajar y el tipo de accesorio empleado. Esta descripción general le permite seleccionar tanto el accesorio correcto como la velocidad óptima. Las luces de indicación de las 3 velocidades (4) equivalen a los números 1, 2 y 3 en el apartado “Ajuste de velocidad recomendado”. Por último, la

mejor forma de determinar la velocidad correcta para trabajar cualquier material es probar en una pieza de desecho.

AJUSTE DE VELOCIDAD RECOMENDADO

Muelas (Fig. D)

Material	Velocidad
Piedra, concha	1-2
Acero	2-3
Aluminio, latón	2
Plástico	1-2

Discos y punta de fieltro (Fig. E)

Los accesorios de fieltro deben ser montados sobre el eje que se adjunta.

Material	Velocidad
Acero	2-3
Aluminio, latón	2
Plástico	2-3

Cintas y discos de pulir (disco de lija no incluido) (Fig. F)

Material	Velocidad
Madera	3
Acero	1-2
Aluminio, latón	2
Plástico	1-2

Cepillo de cerdas (Fig. G)

Material	Velocidad
Piedra, concha	2
Aluminio, chapa	2

Pequeña fresa, broca pequeña de de buril (Fig. H)

Material	Velocidad
Piedra, concha	3
Acero	2
Aluminio, latón	3
Plástico	1-2

Disco abrasivo (disco no suministrado) (Fig. I)

Material	Velocidad
Acero	2-3
Aluminio, latón	2
Plástico	1-2

5. MANTENIMIENTO



Asegúrese de que la máquina no esté conectada cuando realice tareas de mantenimiento en el motor.

Limpie periódicamente el alojamiento de la herramienta con un paño suave, preferiblemente cada vez que la utilice. Mantenga las ranuras de ventilación sin polvo ni suciedad. Si no puede retirar la suciedad, utilice un paño suave y agua jabonosa. No emplee nunca disolventes como gasolina, alcohol, amoníaco, etc. Estos disolventes pueden dañar las partes plásticas.

USO ECOLÓGICO



Cualquier aparato eléctrico o electrónico desechado y/o defectuoso tiene que depositarse en los lugares apropiados para ello.

Sólo para países CE

No deseche las herramientas eléctricas con los residuos domésticos. De conformidad con la Directiva Europea 2012/19/EU sobre residuos de aparatos eléctricos y electrónicos y su implementación en el derecho nacional, las herramientas eléctricas que dejen de funcionar deben recogerse por separado y desecharse de forma respetuosa con el medio ambiente.

GARANTÍA

Los productos VONROC han sido desarrollados con los más altos estándares de calidad y VONROC garantiza que están exentos de defectos relacionados con los materiales y la fabricación durante el periodo legalmente estipulado, a contar desde la fecha de compra original. En caso de que el producto presente defectos relacionados con los materiales y/o la fabricación durante este periodo, póngase directamente en contacto con su distribuidor VONROC.

La presente garantía se excluye en los siguientes casos:

- Si centros de servicios no autorizados han reallizado o han intentado realizar reparaciones y/o alteraciones a la máquina.
- Si se ha producido un desgaste normal.
- Si la herramienta ha sido mal tratada o usada en modo impropio, o se ha realizado incorrectamente su mantenimiento.
- Si se han utilizado piezas de repuesto no originales.

La presente constituye la única garantía implícita y explícita que ofrece la compañía. No existen otras garantías explícitas o implícitas que excedan las citadas aquí, incluidas las garantías implícitas de comerciabilidad e idoneidad para una finalidad en especial. VONROC no será considerada responsable en ningún caso por daños incidentales o consecuentes. Los recursos a disposición de los distribuidores se limitan a la reparación o a la sustitución de las unidades o piezas no conformes.

El producto y el manual de usuario están sujetos a cambios. Las especificaciones pueden modificarse sin previo aviso.

1. AVVERTENZE DI SICUREZZA

Leggere le avvertenze di sicurezza contenute nel presente manuale, le avvertenze di sicurezza aggiuntive e le istruzioni. La mancata osservanza delle avvertenze di sicurezza e delle istruzioni potrebbe causare scosse elettriche, incendi e/o lesioni gravi. Conservare le avvertenze di sicurezza e le istruzioni per una futura consultazione.

I simboli riportati di seguito vengono utilizzati all'interno del manuale per l'utente oppure sono indicati sul prodotto:



Segnala il rischio di lesioni personali, di morte o di danni all'apparecchio in caso di non osservanza delle istruzioni di questo manuale.



Rischio di scosse elettriche.



Velocità elettronica variabile.



Solo per uso interno.



Indossare dispositivi di protezioni per l'udito e gli occhi.



Indossare una mascherina anti-polvere.



Non premere il pulsante di blocco dell'albero con il motore in funzione.



Apparecchio di Classe II - Doppio isolamento - Non è necessario il collegamento a terra.



Temperatura massima 40°C.



Non gettare la batteria nel fuoco.



Non gettare la batteria nell'acqua.



Non smaltire il prodotto in contenitori non idonei.



Raccolta differenziata per la batteria agli ioni di litio.



Il prodotto è conforme alle norme di sicurezza vigenti ai sensi delle direttive europee.

REGOLE GENERALI DI SICUREZZA



ATTENZIONE! Leggere tutte le avvertenze di sicurezza e tutte le istruzioni. Se non si seguono tutte le istruzioni sotto elencate, si può incorrere in uno shock elettrico, in un incendio e/o in lesioni serie.

Conservare queste istruzioni.

Il termine "arnese elettrico" in tutti gli avvertimenti sotto elencati si riferisce al vostro arnese elettrico che funziona a corrente (con filo) o ad un arnese che funziona a pile (senza filo).

1) Area di lavoro

- a) **Mantenere l'area di lavoro pulita e ben illuminata.** Aree buie e disordinate favoriscono gli incidenti.
- b) **Non usare arnesi elettrici in atmosfere esplosive, come vicino ai liquidi infiammabili, gas o polveri.** Gli arnesi elettrici creano scintille che possono incendiare la polvere dei vapori.
- c) **Tenere lontani bambini e altre persone mentre si accende l'arnese elettrico.** Le distrazioni possono farvi perdere il controllo.

2) Sicurezza elettrica

- a) **Le spine dell'arnese elettrico devono andare bene per la presa di corrente. Non modificare mai la spina in alcun modo. Non usare alcun adattatore con arnesi elettrici a terra (messo a terra).** Spine non modificate che vanno bene per le prese di corrente ridurranno il rischio di shock elettrico.
- b) **Evitare il contatto corporeo con superfici a terra come tubature, radiatori, fornelli e refrigeratori.** C'è un rischio maggiore di shock elettrico se il vostro corpo è a terra.
- c) **Non esporre arnesi elettrici alla pioggia o a condizioni di umidità.** Se dell'acqua penetra nell'arnese elettrico aumenterà il rischio di shock elettrico.
- d) **Non abusare del filo. Non usare mai il filo per trasportare, spingere o staccare dalla presa l'arnese elettrico. Tenere il filo lontano da calore, olio, bordi taglienti o parti mobili.** Fili danneggiati o aggrovigliati aumentano il rischio di shock elettrico.
- e) **Quando si accende un arnese elettrico all'aperto, usare una prolunga adatta a tale uso.** Usare un filo adatto all'uso all'aperto ridurrà il rischio di shock elettrico.
- f) **Se non è possibile evitare l'uso di un elettrotensile in ambiente umido, usare una rete di alimentazione protetta da un interruttore**

differenziale (salvavita). L'uso di un salvavita riduce il rischio di scosse elettriche.

3) Sicurezza personale

- a) **Stare vigili e attento quando si accende un arnese elettrico. Non usare un arnese elettrico mentre si è stanco o sotto l'effetto di droghe, alcool o medicinali.** Un momento di disattenzione mentre si accendono arnesi elettrici può causare delle gravi lesioni personali.
 - b) **Usare dispositivi di protezione individuale. Indossare sempre una protezione per gli occhi.** Dispositivi di sicurezza come mascherina per la polvere, scarpe di sicurezza antiscivolo, casco, o protezioni per le orecchie usate nelle appropriate condizioni, ridurranno le lesioni personali.
 - c) **Prevenire l'avvio accidentale. Assicurarsi che l'interruttore sia spento prima di collegarsi.** Trasportare elettrotensili tenendo il dito sull'interruttore di accensione o dare corrente ad elettrotensili con l'interruttore acceso può dare luogo a incidenti.
 - d) **Rimuovere ogni chiave regolatrice o chiave per dadi prima di accendere l'arnese elettrico.** Una chiave per dadi o una chiave lasciata attaccata ad una parte rotante dell'arnese elettrico può provocare lesioni personali.
 - e) **Cercare di mantenere l'equilibrio. Mantenere sempre un punto d'appoggio appropriato.** Questo consente un controllo migliore dell'arnese elettrico in situazioni inaspettate.
 - f) **Vestirsi adeguatamente. Non indossare vestiti larghi o gioielli. Tenere lontano capelli, vestiti e guanti dalle parti mobili.** Vestiti larghi, gioielli o capelli lunghi possono essere presi nelle parti mobili.
 - g) **Se vengono forniti dispositivi per la connessione dell'estrazione della polvere e attrezzature di raccolta, assicurarsi che questi siano collegati e usati correttamente.** L'uso di questi dispositivi può ridurre i rischi correlati alla polvere.
 - h) **Non lasciare che la confidenza acquisita dall'uso frequente induca l'utilizzatore ad assumere comportamenti imprudenti e a ignorare i principi di sicurezza per l'utensile.** Una semplice distrazione può provocare gravi lesioni personali in una frazione di secondo.
- #### 4) Uso e manutenzione dell'arnese elettrico
- a) **Non forzare l'arnese elettrico. Usare l'arnese elettrico corretto per il vostro impiego.** L'arnese elet-

- trico corretto farà il lavoro meglio e in maniera più sicura alla velocità per la quale è stato progettato.
- b) **Non usare l'arnese elettrico se l'interruttore non si accende o non si spegne.** Ogni arnese elettrico che non può essere controllato con l'interruttore è pericoloso e deve essere riparato.
 - c) **Scollegare la spina dalla sorgente di elettricità prima di fare qualsiasi regolazione, cambiare gli accessori, o conservare arnesi elettrici.** Tali misure di sicurezza preventive riducono il rischio di accendere l'arnese elettrico accidentalmente.
 - d) **Conservare gli arnesi elettrici inattivi fuori dalla portata dei bambini e non permettere a persone che non hanno confidenza con l'arnese elettrico o con queste istruzioni di usare l'arnese elettrico.** Gli arnesi elettrici sono pericolosi per utenti inesperti.
 - e) **Mantenere gli arnesi elettrici. Controllare il non allineamento o l'attacco di parti mobili, la rottura di parti ed ogni altra condizione che può influire sul funzionamento degli arnesi elettrici. Se è danneggiato, far riparare l'arnese elettrico prima dell'uso.** Molti incidenti sono causati da arnesi elettrici mantenuti male.
 - f) **Mantenere gli arnesi da taglio affilati e puliti.** È meno probabile che si attacchino degli arnesi da taglio mantenuti correttamente con tagli affilate e questi sono anche più facili da controllare.
 - g) **Usare l'arnese elettrico, gli accessori e le parti dell'arnese ecc, secondo queste istruzioni e nel modo pensato per il particolare tipo di arnese elettrico, tenendo conto delle condizioni di lavoro e del lavoro da svolgere.** L'uso dell'arnese elettrico per operazioni diverse da quelle pensate potrebbe causare situazioni pericolose.
 - h) **Mantenere le impugnature e le superfici di presa asciutte, pulite e libere da olio e grasso.** Impugnature e superfici di presa scivolose non consentono di maneggiare e controllare in sicurezza l'utensile in situazioni impreviste.
- 5) **Uso e manutenzione dell'utensile a batteria**
 - a) **Ricaricare l'apparecchio esclusivamente con il caricabatterie specificato dal fabbricante.** Se si utilizza un caricabatterie di diverso tipo potrebbero verificarsi incendi.
 - b) **Utilizzare gli utensili elettrici solo con i pacchi batterie appositamente prescritti.** L'uso di pacchi batterie di diverso tipo aumenta il rischio di infortunio o incendio.
 - c) **Quando il pacco batterie non è in uso, tenerlo lontano da oggetti metallici quali fermagli, monete, chiavi, chiodi, viti o altri piccoli oggetti metallici che potrebbero mettere in collegamento i due poli.** Se i poli vengono messi in corto circuito, la batteria potrebbe emettere scintille o fiammate.
 - d) **In condizioni di uso scorretto, la batteria potrebbe emettere liquido: evitare pertanto di entrarvi in contatto. In caso di contatto accidentale, risciacquare con acqua. Se il liquido entra a contatto con gli occhi, consultare immediatamente un medico.** Il liquido emesso dalla batteria può causare irritazioni o ustioni.
 - e) **Non utilizzare un pacco batterie o l'utensile se danneggiati o manomessi.** Pacchi batterie danneggiati o manomessi potrebbero avere comportamenti imprevisti con il rischio di incendiarsi, esplodere o provocare lesioni a persone.
 - f) **Non esporre un pacco batterie o l'utensile alle fiamme o a temperature eccessivamente elevate.** L'esposizione alle fiamme o a temperature superiori a 130 °C potrebbe provocare un'esplosione. **NOTA:** la temperatura di "130 °C" corrisponde a "265 °F".
 - g) **Seguire tutte le istruzioni per la ricarica e non caricare il pacco batterie o l'utensile a temperature che non rientrino nell'intervallo specificato nelle istruzioni.** Se si effettua la ricarica in modo improprio o a temperature non comprese nell'intervallo specificato, il pacco batterie potrebbe subire danni e potrebbe aumentare il rischio di incendi.
- 6) **Riparazione**
 - a) **L'assistenza per l'elettro utensile deve essere prestata da un tecnico qualificato che utilizzi soltanto ricambi originali.** In questo modo viene garantita la sicurezza dell'elettro utensile.
 - b) **Non tentare di riparare pacchi batterie danneggiati.** La riparazione dei pacchi batteria deve essere effettuata esclusivamente dal produttore o presso centri di assistenza autorizzati.
- ISTRUZIONI DI SICUREZZA SPECIFICHE**
- a) **Questo elettro utensile è destinato a funzionare come smerigliatrice, levigatrice, spazzola metallica, lucidatrice, come strumento di incisione e taglio. Leggere tutte le avvertenze di sicurezza, le istruzioni, le illustrazioni e le specifiche tecniche fornite insieme a questo elettro utensile.** La mancata osservanza delle istruzioni seguenti può dar luogo a una scossa elettrica, un incendio e/o lesioni personali gravi.
 - c) **Non utilizzare accessori non progettati specificatamente e non raccomandati dal costruttore**

- dell'elettrotensile. Il fatto che un accessorio possa essere fissato all'elettrotensile, non ne garantisce la sicurezza di utilizzo.
- d) **La velocità nominale degli accessori deve essere almeno pari alla velocità massima indicata sull'elettrotensile.** Gli accessori di smerigliatura che girano a una velocità maggiore rispetto alla loro velocità nominale possono rompersi e andare in mille pezzi.
- e) **Il diametro esterno e lo spessore dell'accessorio devono rientrare nel valore della capacità nominale dell'elettrotensile.** Gli accessori di dimensioni non corrette non possono essere controllati in modo adeguato.
- f) **La dimensione dell'albero delle mole, dei cilindri abrasivi o di qualsiasi altro accessorio deve adattarsi correttamente al fuso o alla pinza dell'elettrotensile.** Gli accessori che non corrispondono alla struttura di fissaggio dell'elettrotensile si sbilanciano, vibrano eccessivamente e possono causare la perdita di controllo.
- g) **Le mole, i cilindri abrasivi, le frese o gli altri accessori montati sul mandrino devono essere completamente inseriti nella pinza o nel mandrino.** Se la mola non è sufficientemente fissata e/o l'oggetto della ruota è troppo lungo, la ruota montata potrebbe allentarsi e staccarsi ad alta velocità.
- h) **Non utilizzare un accessorio danneggiato. Prima di ogni utilizzo controllare gli accessori per verificare ad esempio che sui dischi abrasivi non vi siano scheggiature e lesioni, che non siano presenti crepe o segni eccessivi di usura sul cilindro abrasivo, che le spazzole metalliche non abbiano filamenti metallici staccati o spezzati. Se l'elettrotensile o l'accessorio cade, verificare se ha subito eventuali danni o montare un accessorio integro. Dopo l'ispezione e l'installazione di un accessorio, allontanarsi o fare allontanare le persone presenti nelle vicinanze dal piano dell'accessorio rotante e azionare l'elettrotensile a vuoto alla massima velocità per un minuto.** Gli accessori danneggiati si rompono in genere durante questo periodo di prova.
- i) **Indossare dispositivi di protezione individuale. A seconda del lavoro da eseguire, indossare uno schermo facciale, occhiali di sicurezza oppure occhiali con protezioni laterali. Se opportuno, indossare una mascherina antipolvere, protezioni per l'udito, guanti e un grembiule da lavoro in grado di arrestare piccole particelle di abrasivo o piccoli frammenti del pezzo in lavorazione.** Il dispositivo di protezione per gli occhi deve impedire ai detriti volanti generati durante le varie lavorazioni di raggiungere gli occhi. La mascherina antipolvere o il respiratore deve essere in grado di filtrare la polvere che si genera durante il lavoro. L'esposizione prolungata a rumore molto intenso può provocare la perdita dell'udito.
- j) **Tenere le persone presenti a distanza di sicurezza dall'area di lavoro. Chiunque acceda all'area di lavoro deve indossare dispositivi di protezione individuale adeguati.** Frammenti del pezzo in lavorazione o di un accessorio rotto possono volare via e causare lesioni al di là dell'immediata area di lavoro.
- k) **Quando si eseguono operazioni in cui l'accessorio da taglio potrebbe entrare in contatto con fili elettrici nascosti, tenerlo esclusivamente dalle superfici di presa isolate.** Gli accessori da taglio che vengono a contatto con un cavo sotto tensione trasmettono la corrente elettrica anche alle parti metalliche esposte dell'elettrotensile e potrebbero provocare la folgorazione dell'operatore.
- l) **Tenere sempre l'utensile saldamente in mano durante l'avvio.** La coppia di reazione del motore, mentre accelera a piena velocità, può causare l'attorcigliamento dell'utensile.
- m) **Usare i morsetti per sostenere il pezzo ogni volta che risulti pratico. Non reggere mai un piccolo pezzo in lavorazione in una mano e l'utensile nell'altra mano durante l'uso.** Il serraggio di un piccolo pezzo in lavorazione consente di utilizzare la mano per controllare l'utensile. Il materiale tondo, come le aste dei tasselli, i tubi o le tubazioni, ha la tendenza a rotolare durante il taglio, e possono far sì che la punta si incastri o.
- n) **Posizionare il cavo di alimentazione lontano dall'accessorio rotante.** In caso di perdita di controllo, il cavo potrebbe essere tagliato o impigliarsi, trascinando la mano o il braccio dell'operatore verso l'accessorio rotante.
- o) **Non appoggiare mai l'elettrotensile finché l'accessorio non si sia completamente arrestato.** L'accessorio rotante potrebbe fare presa sulla superficie e trascinare l'elettrotensile facendone perdere il controllo.
- p) **Dopo aver sostituito le punte o effettuato qualsiasi regolazione, assicurarsi che il dado di**

- serraggio, il mandrino o qualsiasi altro dispositivo di regolazione sia sufficientemente serrato.** I dispositivi serrati in modo lasco possono muoversi improvvisamente, causando la perdita del controllo, e i componenti rotanti allentati verranno scagliati.
- q) **Non accendere l'elettrotensile mentre lo si trasporta sul fianco.** Un contatto accidentale con l'accessorio rotante potrebbe farlo impigliare agli indumenti dell'utilizzatore trascinandolo verso il suo corpo.
- r) **Pulire regolarmente le prese d'aria dell'elettrotensile.** La ventola di raffreddamento del motore attira la polvere all'interno dell'alloggiamento e l'accumulo eccessivo di polvere di metallo può causare rischi elettrici.
- s) **Non utilizzare l'elettrotensile in prossimità di materiali infiammabili.** Le scintille potrebbero incendiare tali materiali.
- t) **Non utilizzare accessori che richiedono refrigeranti liquidi.** L'utilizzo di acqua o altri liquidi refrigeranti può provocare elettrocuzione o scossa elettrica.

Contraccolpo e relative avvertenze

Il contraccolpo è una reazione improvvisa provocata da un disco, un platello, una spazzola o qualsiasi altro accessorio in rotazione che rimanga schiacciato o impigliato. Ciò provoca un arresto immediato dell'accessorio rotante che a sua volta causa la perdita di controllo dell'elettrotensile, che viene spinto nella direzione opposta rispetto alla rotazione dell'accessorio. Ad esempio, se il disco abrasivo rimane schiacciato o impigliato dal pezzo da lavorare, il bordo del disco penetrato nel punto di schiacciamento può scavare nel materiale e causare lo scavalco o il contraccolpo del disco. Il disco può saltare sia verso l'operatore che in direzione opposta a seconda della direzione del movimento del disco nel punto di schiacciamento. In queste condizioni i dischi abrasivi possono anche rompersi. Il contraccolpo è il risultato di un uso errato dell'elettrotensile e/o di metodi o condizioni di lavoro scorretti e può essere evitato prendendo le appropriate precauzioni, come descritto di seguito.

- a) **Mantenere una presa salda sull'elettrotensile, posizionando il corpo e le braccia in modo da resistere alle forze di contraccolpo.** Con le necessarie precauzioni, l'operatore può controllare le forze di contraccolpo.

- b) **Prestare particolare attenzione quando si lavorano angoli, estremità appuntite ecc. Evitare che l'accessorio rimbalzi o si impigli.** Angoli, estremità appuntite o rimbalzi tendono a fare impigliare l'accessorio rotante, provocando la perdita di controllo o il contraccolpo dell'elettrotensile.
- c) **Non montare una lama dentata.** Queste lame creano contraccolpi e perdita di controllo frequenti.
- d) **Alimentare sempre la punta nel materiale nella stessa direzione di fuoriuscita dell'angolo di taglio dal materiale (si tratta della stessa direzione di fuoriuscita delle scaglie).** L'alimentazione dell'utensile nella direzione errata causa la fuoriuscita dell'angolo di taglio della punta dal pezzo in lavorazione e l'indirizzamento dell'utensile nella direzione di questa alimentazione.
- e) **Quando si utilizzano lime rotanti, mole di taglio, frese ad alta velocità o frese in carburo di tungsteno, serrare sempre il pezzo in lavorazione in modo adeguato.** Queste ruote fanno presa se rimangono impigliate nella scanalatura e possono provocare un contraccolpo. Quando un disco da taglio fa presa, la ruota stessa generalmente si rompe. Quando una lima rotante, una mola da taglio o una fresa al carburo di tungsteno fa presa, potrebbe fuoriuscire dalla scanalatura e far perdere il controllo dell'utensile.

ULTERIORI ISTRUZIONI DI SICUREZZA PER LE OPERAZIONI DI SMERIGLIATURA E DI TAGLIO

Avvertenze di sicurezza specifiche per le operazioni di smerigliatura e taglio abrasivo:

- a) **Utilizzare esclusivamente tipi di dischi raccomandati per il proprio elettrotensile e soltanto per le applicazioni raccomandate. Per esempio, non molare utilizzando il disco dal lato di taglio.** I dischi per taglio abrasivo sono progettati per la smerigliatura periferica. Forze laterali applicate a questi dischi possono causarne la frantumazione.
- b) **Per i coni filettati abrasivi e le spine utilizzare solamente mole non danneggiate con flangia non compensata di dimensione e lunghezza adeguata.** Le mole adeguate riducono il rischio di rottura.
- c) **Non far incastrare il disco da taglio né applicare una pressione eccessiva. Non tentare di eseguire tagli troppo profondi.** Eccessive

- sollecitazioni del disco ne aumentano il carico e la suscettibilità alla torsione o all'inceppamento nel taglio, con la possibilità di contraccolpi o di rotture.
- d) **Non posizionarsi con la mano allineata al disco in rotazione e rimanere dietro di esso.** Quando il disco si muove nella direzione di allontanamento dalla mano, il possibile contraccolpo potrebbe la mola in rotazione e l'elettrotensile direttamente verso di sé.
- e) **Quando il disco si inceppa o quando un taglio si interrompe per qualsiasi ragione, spegnere l'elettrotensile e tenerlo immobile fino al suo completo arresto. Non tentare mai di rimuovere il disco da taglio mentre è in movimento, altrimenti potrebbe verificarsi un contraccolpo.** Esaminare e intraprendere azioni correttive per eliminare le cause che inceppano o impigliano la ruota.
- f) **Non riprendere il taglio nel pezzo in lavorazione. Far raggiungere la massima velocità al disco e poi rientrare con attenzione nel taglio.** Se l'elettrotensile viene riavviato quando è ancora dentro al pezzo in lavorazione il disco potrebbe incepparsi, scavalcare il pezzo o subire un contraccolpo.
- g) **Pannelli o altri pezzi di grandi dimensioni devono essere sorretti per ridurre al minimo il rischio che la mola si schiacci o subisca un contraccolpo.** I pezzi più grandi tendono a incurvarsi sotto il loro stesso peso. È opportuno collocare dei supporti sotto al pezzo da entrambi i lati, vicino la linea di taglio e alle estremità del pannello, da entrambi i lati del disco.
- h) **Prestare ancora più attenzione quando si eseguono "tagli a tuffo" all'interno di pareti esistenti o di altre aree.** La parte sporgente del disco potrebbe tagliare tubi del gas o dell'acqua, cavi elettrici od oggetti che possono provocare un contraccolpo.
- b) **Consentire alle spazzole di girare alla velocità ordinaria per almeno un minuto prima di utilizzarle. Durante questo periodo di tempo nessuno deve sostare di fronte o in linea con la spazzola.** Le setole o i fili allentati vengono scaricati durante l'esercizio.
- c) **Indirizzare lo scaricamento della spazzola rotante lontano da sé.** Le piccole particelle e i piccoli frammenti di filo possono essere scaricati ad alta velocità durante l'utilizzo di queste spazzole e possono penetrare nella propria pelle.

CARICABATTERIE

Uso previsto

Caricare solo batterie ricaricabili. Batterie di tipi diversi potrebbero esplodere provocando lesioni personali e danni.

- a) **L'apparecchio non deve essere usato da persone con capacità fisiche, sensoriali o mentali ridotte (bambini inclusi) o che non hanno alcuna esperienza o conoscenza dell'apparecchio, a meno che non siano sorvegliate o siano state istruite sull'uso del prodotto.**
- b) **Accertarsi che i bambini non giochino con il caricabatterie.**
- c) **Non ricaricare batterie non ricaricabili!**
- d) **Mentre il caricabatteria è in funzione sistemarlo in un luogo ben ventilato!**
- e) **Le batterie integrate possono essere rimosse solo per lo smaltimento da parte di personale qualificato.** L'apertura dell'involucro può distruggere l'utensile elettrico. Per rimuovere la batteria dall'attrezzo elettrico, premere l'interruttore On / Off (6) finché la batteria non è completamente scarica. Svitare le viti sull'alloggiamento e rimuovere il guscio dell'alloggiamento per rimuovere la batteria. Per evitare un cortocircuito, scollegare i connettori sulla batteria uno alla volta e quindi isolare i poli. Anche se completamente scaricata, la batteria contiene ancora una capacità residua, che può essere rilasciata in caso di cortocircuito.

LE ISTRUZIONI DI SICUREZZA AGGIUNTIVE PER IL FUNZIONAMENTO DELLE SPAZZOLE METALLICHE

Avvertenze specifiche per il funzionamento delle spazzole metalliche:

- a) **Considerare che le setole delle spazzole possono essere scagliate dalla spazzola anche durante il normale funzionamento. Non applicare una forza eccessiva sulla spazzola sollecitando eccessivamente i fili.** Le setole possono facilmente penetrare gli indumenti leggeri e/o la pelle.

Norme elettriche di sicurezza

Quando utilizar máquinas eléctricas deve sempre respeitar as normas de segurança em vigor no local, devido ao perigo de incêndio, de choques eléctricos ou ferimentos pessoais. Para além das instruções abaixo, leia também as instruções de segurança apresentadas no folheto de segurança em anexo. Guarde as instruções num lugar seguro!



Accertarsi sempre che l'alimentazione elettrica corrisponda alla tensione indicata sulla targhetta dei dati caratteristici.



Macchina classe II - Doppio isolamento - Non è necessaria la messa a terra.

2. INFORMAZIONI RELATIVE ALL'ELETTROUTENSILE

Usò previsto

Questo elettrotensile è destinato a funzionare come smerigliatrice, levigatrice, spazzola metallica, lucidatrice, come strumento di incisione e taglio. Questo utensile combinato si adatta perfettamente per la correzione di materiali, quali legno, plastica, pietra, scatola in alluminio, ottone ed acciaio. Utilizzare sempre le impostazioni del numero di giri e gli accessori indicati.

DATI TECNICI

Numero modello	CT503DC
Batteria ricaricabile	4V Li-ion 600mAh
Tempo di carica batteria	2 ore
Diametro massimo disco	Ø35 mm
Diametro massimo del trapano	Ø2,3 mm
Velocità a vuoto	5000/10000/15000/min
Capacità del mandrino a molla	2,3 mm
Peso	0,1 kg
Lpa (Livello di pressione sonora)	79+3 dB(A)
Lwa (Livello di potenza sonora)	90+3 dB(A)
Vibrazione	1,177+1.5 m/s ²

Livello delle vibrazioni

Il livello di emissione delle vibrazioni indicato sul retro di questo manuale di istruzioni è stato misurato in conformità a un test standardizzato stabilito dalla norma EN 60745; questo valore può essere utilizzato per mettere a confronto un l'utensile con un altro o come valutazione preliminare di esposizione alla vibrazione quando si impiega l'utensile per le applicazioni menzionate.

- se si utilizza l'utensile per applicazioni diverse, oppure con accessori differenti o in scarse condizioni, il livello di esposizione potrebbe aumentare notevolmente.
- i momenti in cui l'utensile è spento oppure è in funzione ma non viene effettivamente utilizzato

per il lavoro, possono contribuire a ridurre il livello di esposizione.

Proteggersi dagli effetti della vibrazione effettuando la manutenzione dell'utensile e dei relativi accessori, mantenendo le mani calde e organizzando i metodi di lavoro.

DESCRIZIONE

I numeri contenuti nel testo sottostante si riferiscono alle illustrazioni a pagina 2-4

1. Mandrino di serraggio
2. Blocco fuso
3. Pulsante di accensione/spengimento e manopola di regolazione velocità
4. Indicatori di velocità
5. Indicatore di carica
6. Cavo del caricabatterie

3. MONTAGGIO



Accertarsi sempre che la macchina sia spenta prima di montare un accessorio.



Avvertenza! Cambiare gli accessori inserendoli nella bussola di chiusura (o nel mandrino) e spingendoli bene in fondo il più possibile per minimizzare fuoriuscite e instabilità.

Assemblaggio degli accessori (Fig. B)

Premere il pulsante di blocco fuso (2) e tenerlo premuto. Svitare manualmente il mandrino del colletto (1). Collocare l'accessorio nella sua sede preposta. Premere il pulsante di blocco del mandrino (2) durante il fissaggio del mandrino del colletto (1).



Non premere il pulsante di blocco dell'albero con il motore in funzione.

4. FUNZIONAMENTO

Accendere l'elettrotensile premere l'interruttore di accensione/spengimento (3). Premendo il pulsante di accensione/spengimento (3) una seconda volta, la macchina viene impostata sulla velocità 2 e premendo una terza volta, la macchina viene impostata sulla velocità 3. Premendo il pulsante di accensione/spengimento (3) una quarta volta, la macchina viene spenta. Non collocare la macchina in basso quando il motore è ancora acceso. Non

appoggiare la macchina su una superficie polverosa. Le particelle di polvere possono penetrare nel meccanismo.



Un carico troppo elevato ad un numero di giri ridotto del Combitoool può bruciare il motore.

Prima del primo utilizzo la batteria deve essere caricata.

Carica del dispositivo (con il caricabatterie)

- Inserire il cavo del caricabatterie (6) (in dotazione) nell'adattatore (non in dotazione).
- Inserire il caricabatterie (6) nella macchina. (fig. J)
- Collegare la spina del caricabatterie a una presa elettrica e attendere un momento. L'indicatore del caricabatterie (5) si illumina e mostra lo stato di carica della batteria.

LED	Stato caricabatterie
Rosso	In carica
Verde	Carica terminata, batteria completamente carica

- Una volta caricata la batteria, rimuovere la spina del caricabatterie dalla presa e staccare la spina piccola dal dispositivo.

Reggere e guidare l'utensile (Fig. C)

- Per il lavoro di precisione (incisione): impugnatura a matita (C1)
- Per il lavoro grosso (smerigliatura): impugnatura a spelucchino (C2)
- In caso di necessità di mantenimento in parallelo dell'utensile sulla superficie di lavoro (per esempio utilizzando un disco da taglio): 2 impugnatura golf (C3)

Utilizzo ottimale dell'utensile combinato e dei suoi accessori (Fig. A)

Per un utilizzo ottimale degli accessori utilizzare la velocità corretta. È possibile fare riferimento alla panoramica Inferiore all'Impostazione raccomandata velocità per determinare la velocità corretta sulla base del pezzo in lavorazione e al tipo di accessorio utilizzato. Questa panoramica consente di selezionare sia l'accessorio corretto, sia la velocità ottimale. I 3 indicatori di velocità (4) corrispondono alle cifre 1, 2 e 3 nella panoramica "Impostazione raccomandata velocità". In fin dei conti, il modo migliore per determinare la velocità corretta per il lavoro con qualsiasi materiale e l'utilizzo di un pezzo di prova.

IMPOSTAZIONE RACCOMANDATA VELOCITÀ

Mole (Fig. D)

Materiale	Velocità
Pietra, seppia	1-2
Acciaio	2-3
Aluminio, ottone	2
Plastico	1-2

Dischi e punte di feltro (Fig. E)

Gli accessori di feltro devono essere montati sull'asse dotazioni.

Materiale	Velocità
Acciaio	2-3
Aluminio, ottone	2
Plastico	2-3

Nastri e dischi di molatura (disco abrasivo non incluso) (Fig. F)

Materiale	Velocità
Legno	3
Acciaio	1-2
Aluminio, ottone	2
Plastico	1-2

Spazzole di acciaio (Fig. G)

Materiale	Velocità
Pietra, seppia	2
Aluminio, ottone	2

Pequeña fresa, broca pequeña de de buril (Fig. H)

Materiale	Velocità
Pietra, seppia	3
Acciaio	2
Aluminio, ottone	3
Plastico	1-2

Disco abrasivo (disco non in dotazione) (Fig. I)

Materiale	Velocità
Acciaio	2-3
Aluminio, ottone	2
Plastico	1-2

5. MANUTENZIONE

Assicurarsi che la macchina non sia in funzione mentre si effettuano operazioni di manutenzione sul motore.

Pulire regolarmente il corpo macchina con un panno morbido, possibilmente dopo ogni uso. Eliminare polvere e sporco dalle feritoie di ventilazione. Se lo sporco non è asportabile, usare un panno morbido inumidito con acqua saponata. Non usare mai solventi come benzina, alcool, ammoniaca, ecc, perché potrebbero danneggiare i componenti in plastica.

AMBIENTE

Strumenti elettrici e/o elettronici difettosi o usurati devono essere smaltiti in appropriate aree di riciclaggio.

Soltanto per paesi CE

Non smaltire gli elettrodomestici nei contenitori per rifiuti domestici. Ai sensi della Direttiva 2012/19/EU del Parlamento europeo in materia di Rifiuti da apparecchiature elettriche ed elettroniche e della relativa attuazione nell'ambito della legislazione nazionale, gli elettrodomestici inutilizzabili devono essere raccolti separatamente e smaltiti in modo ecocompatibile.

DEFINIZIONI DELLA GARANZIA

I prodotti VONROC sono sviluppati secondo i più elevati standard di qualità e viene garantita l'assenza di difetti nei materiali e nella manodopera per il periodo contrattuale a partire dalla data di acquisto originale. Qualora il prodotto dovesse subire un guasto qualsiasi durante questo periodo a causa di difetti nei materiali e/o nella manodopera, si prega di contattare direttamente il VONROC.

Le seguenti circostanze sono escluse da questa garanzia:

- Riparazioni e/o modifiche alla macchina sono state eseguite o tentate da centri di assistenza non autorizzati.
- Normale usura.
- L'utensile è stato abusato, utilizzato o manutenu-
to in modo improprio.
- Sono state utilizzate parti di ricambio non originali

Ciò costituisce l'unica garanzia espressa o implicita fornita dall'azienda. Non esistono altre garanzie espresse o implicite che si estendono oltre il presente documento, ivi comprese le garanzie implicite di commerciabilità e idoneità per uno scopo particolare. In nessun caso VONROC sarà responsabile di eventuali danni incidentali o consequenziali. I rimedi dei rivenditori saranno limitati alla riparazione o sostituzione di unità o parti non conformi.

Il prodotto e il manuale per l'utente sono soggetti a modifiche. I dati tecnici possono essere modificati senza ulteriore notifica.

1. SÄKERHETSANVISNINGAR

Läs de medföljande säkerhetsvarningarna, de kompletterande säkerhetsvarningarna och anvisningarna. Underlåtenhet att följa säkerhetsvarningarna och anvisningarna kan orsaka elstöt, brand och/eller allvarlig skada. Spara säkerhetsvarningarna och anvisningarna som framtida referensmaterial.

Följande symboler används i användarhandboken eller på produkten:



Anger risk för personskada, dödsfall eller skada på verktyget om anvisningarna i denna handbok inte följs.



Risk för elstöt



Hastighetsreglage



Använd endast inomhus



Använd hörsel- och ögonskydd



Använd en dammask



Tryck inte på spindellåsknappen när motorn är igång.



Klass II-maskin - dubbel isolering - du behöver ingen jordad kontakt.



Maxtemperatur 40 °C



Kasta inte batteriet i elden



Kasta inte batteriet i vatten



Kassera inte produkten i olämpliga containrar.



Separat återvinning av litiumjonbatteriet.



Produkten uppfyller gällande säkerhetsnormer i EU-direktiven.

ALLMÄNNA SÄKERHETSFÖRESKRIFTER FÖR ELVERKTYG



VARNING! Läs alla säkerhetsvarningar och alla anvisningar. Underlåtenhet att följa varningar och instruktioner kan resultera i elstötar, brand och/eller allvarliga skador.

Spara alla varningar och instruktioner för framtida referens.

Uttrycket "elverktyg" i varningarna avser ditt nätanslutna (med sladd) verktyg eller batteridrivna (sladdlösa) elektriska verktyg.

1) Arbetsplats säkerhet

- Håll arbetsplatsen ren och välbelyst.** Belamrade eller mörka områden inbjuder till olyckor.
- Använd inte elektriska verktyg i explosiva atmosfärer, såsom i närvaro av lättantändliga vätskor, gaser eller damm.** Elverktyg skapar gnistor som kan antända damm eller ångor.
- Håll barn och åskådare borta medan du arbetar med ett elverktyg.** Om du blir distraherad kan du tappa kontrollen.

2) Elsäkerhet

- Verktygets elkontakt måste passa till vägguttaget. Ändra inte kontakten på något sätt. Använd inte adapterkontakter med jordade elverktyg.** Omodifierade kontakter och matchande uttag minskar risken för elektrisk stöt.
- Undvik kroppskontakt med jordade ytor såsom rör, värmeelement, spisar och kylskåp.** Det finns en ökad risk för elektrisk stöt om din kropp är jordansluten eller jordad.
- Utsätt inte elektriska verktyg för regn eller väta.** Vatten som tränger in i ett elverktyg ökar risken för elstötar.
- Hantera inte elkabeln felaktigt. Använd aldrig sladden för att bära, dra eller koppla bort elverktyet från uttaget. Håll sladden borta från värme, olja, vassa kanter eller rörliga delar.** Skadade eller tilltrasslade sladdar ökar risken för elektrisk stöt.
- När du arbetar med ett elverktyg utomhus, använd en förlängningssladd som passar för utomhusanvändning.** Användning av en sladd som passar för utomhusanvändning minskar risken för elektrisk stöt.
- Om arbete med ett elverktyg i en fuktig lokal är oundvikligt, använd ett uttag som är skyddat med jordfelsbrytare (RCD).** Användning av jordfelsbrytare minskar risken för elstötar.

3) Personlig säkerhet

- Var uppmärksam, kontrollera vad du gör och använd sunt förnuft när du arbetar med ett elektriskt verktyg. Använd inte ett elverktyg när du är trött eller påverkad av droger, alkohol eller**

- medicinering.** Ett ögonblicks ouppmärksamhet under arbetet kan resultera i allvarliga personskador.
- b) **Använd personlig skyddsutrustning. Bär alltid ögonskydd.** Skyddsutrustning såsom dammfilterskydd, halksäkra säkerhetsskor, skyddshjälm eller hörselskydd som används för lämpliga förhållanden minskar personskador.
- c) **Förebygg oavsiktlig igångsättning. Se till att strömbrytaren är i avstängd position innan anslutning till strömkällan och/eller batteriet, verktyget lyfts upp eller bärs.** Om du bär elverktyg med ditt finger på strömbrytaren eller ansluter ett påkopplat elverktyg till nätströmmen kan en olycka inträffa.
- d) **Avlägsna eventuell justeringsnyckel eller skiftnyckel innan du sätter på elverktyget.** En skiftnyckel eller en nyckel som sitter kvar på en roterande del av elverktyget kan resultera i personskada.
- e) **Böj dig inte för långt. Bibehåll alltid ordentligt fotfäste och balans.** Detta möjliggör bättre kontroll av elverktyget i oväntade situationer.
- f) **Bär lämpliga kläder. Använd inte vida kläder eller smycken. Håll hår, kläder och handskar borta från rörliga delar.** Lösa kläder, smycken eller långt hår kan fastna i rörliga delar.
- g) **Om enheten är försedd med anslutning av dammsug och uppsamlingsmöjlighet, se till att dessa är anslutna och används korrekt.** Dammupptagning minskar dammrelaterade risker.
- h) **Låt inte erfarenheten som uppnås vid frekvent användning av verktyg låta dig bli för självsäker och ignorera verktygs säkerhetsprinciperna.** En oförsiktig handling kan orsaka allvarliga skador under bråkdelen av en sekund.
- 4) Användning och skötsel av elverktyg**
- a) **Bruka inte våld när du använder elverktyget. Använd rätt slags elektriska verktyg för ditt arbete.** Rätt elverktyg gör arbetet bättre och säkrare vid den hastighet som det har konstruerats för.
- b) **Använd inte elverktyget om strömbrytaren inte sätter på och stänger av det.** Ett elverktyg som inte kan kontrolleras med strömbrytaren är farligt och måste repareras.
- c) **Dra ur kontakten från strömkällan och/eller batteriet från elverktyget innan du gör några justeringar, byter tillbehör eller lägger undan elverktygen för förvaring.** Sådana förebyggande säkerhetsåtgärder minskar risken för att elverktyget startar oavsiktligt.
- d) **Förvara elverktyg oåtkomliga för barn och låt inte personer som är obekanta med verktyget eller dessa instruktioner använda verktyget.** Elektriska verktyg är farliga i händerna på oerfarna användare.
- e) **Underhåll av elektriska verktyg. Kontrollera för feljustering eller om rörliga delar har fastnat, bristning hos delar och andra eventuella förhållanden som kan komma att påverka elverktygets funktion. Om det är skadat, se till att elverktyget blir reparerat före användning.** Många olyckor orsakas av dåligt underhållna elektriska verktyg.
- f) **Håll kapverktyg vassa och rena.** Korrekt underhållna kapverktyg med vassa kanter är mindre troliga att kärva och lättare att kontrollera.
- g) **Använd elverktyget, dess tillbehör och verktyg i enlighet med dessa instruktioner och under beaktande av arbetsförhållandena och det arbete som ska utföras.** Användning av elverktyget för andra uppgifter än vad som avsetts kan resultera i farliga situationer.
- h) **Se till att handtagen är torra, rena och fria från olja och fett.** Hala handtag och greppytor tillåter inte säker hantering och kontroll av verktyget i oväntade situationer.
- 5) Användning och skötsel av batteridrivna verktyg**
- a) **Ladda endast med den laddare som är specificerad av tillverkaren.** En laddare som passar till en typ av batteri kan ge upphov till brandfara när den används tillsammans med ett annat batteri.
- b) **Använd elverktygen enbart med det därtill avsedda batteriet.** Användning av andra batterier kan skapa en risk för skada och brand.
- c) **När batteriet inte används, håll det borta från andra metallföremål, såsom gem, mynt, nycklar, spikar, skruvar eller andra små metallföremål som kan skapa en förbindelse från ena polen till den andra.** Kortslutning av batteriets terminaler kan leda till brännskada eller brand.
- d) **Vid felaktig hantering kan vätska komma ut från batteriet, undvik kontakt med denna. Spola med vatten vid oavsiktlig kontakt. Sök läkarhjälp om vätskan kommer i kontakt med ögon.** Vätska som kommer ut från batteriet kan orsaka irritation eller brännskada.

- e) **Använd inte batterier eller verktyg som är skadade eller modifierade.** Skadade eller modifierade batterier kan uppvisa oförutsägbart beteende som kan leda till brand, explosion eller risk för skada.
 - f) **Utsätt inte batteri eller verktyg för eld eller överdriven temperatur.** Exponering för brand eller temperatur över 130 °C kan orsaka explosion. OBS! Temperaturen "130 °C" kan ersättas med temperaturen "265 °F".
 - g) **Följ alla laddningsanvisningar och ladda inte batteriet eller verktyget utanför det temperaturområde som anges i instruktionerna.** Om du laddar batteriet felaktigt eller vid temperaturer utanför det angivna området kan det skada batteriet och öka risken för brand.
- 6) Service**
- a) **Se till att ditt elverktyg får service av en kvalificerad reparatör, som endast använder identiska ersättningsdelar.** Detta säkerställer att elverktygets säkerhet upprätthålls.
 - b) **Utför aldrig service på skadade batterier.** Service av batteri ska endast utföras av tillverkaren eller auktoriserade serviceleverantörer.

SÄRSKILDA SÄKERHETSANVISNINGAR

- a) **Detta elverktyg är avsett att fungera som en vinkelslip, för slipning, stålborstning, polering och som skär- och kapverktyg. Läs alla säkerhetsvarningar, anvisningar, illustrationer och specifikationer som medföljer detta elverktyg.** Underlåtenhet att följa alla anvisningar som anges nedan kan resultera i elstöt, brand och/eller allvarlig skada.
- c) **Använd inte tillbehör som inte specifikt har utformats och rekommenderats av verktygstillverkaren.** Bara för att tillbehöret kan användas med ditt elverktyg innebär det inte att det är säkert.
- d) **Det nominella varvtalet för vinkelsliptillbehör måste vara minst lika med det högsta varvtalet som anges på elverktyget.** Vinkelsliptillbehör som körs med högre varvtal än det nominella varvtalet kan gå sönder och flyga isär.
- e) **Ditt tillbehörs yttre diameter och tjocklek måste vara i enlighet med ditt elverktygs kapacitetsklassning.** Tillbehör av felaktigt storlek kan inte kontrolleras i tillräcklig utsträckning.
- f) **Hålstorleken på skivorna, sliptrumman eller andra tillbehör måste passa korrekt på spindeln eller chucken på elverktyget.** Tillbehör som inte matchar monteringshårdvaran på elverktyget kommer att köras ur balans, vibrera överdrivet och kan leda till förlust av kontrollen av elverktyget.
- g) **Spindelmonterade skivor, sliptrummor, kutter eller andra tillbehör måste sättas i helt i spindeln eller chucken.** Om spindeln inte tillräckligt kan hålla fast eller om skivan är för lång kan den monterade skivan lossna och matas ut med hög hastighet.
- h) **Använd inte ett skadat tillbehör. Inspektera slipskivor och slipplattor för flisor, sprickor och slitage samt sliptrumman för sprickor och slitage, stålborste för lösa eller spräckta trådar innan varje användning. Om elverktyget eller ett tillbehör tappas, inspektera det för skador eller installera ett oskadat tillbehör. Efter inspektion och installation av ett tillbehör, håll dig själv och kringstående borta från det roterande tillbehörets rotationsplan och kör verktyget med maximalt tomgångsvarvtal i en minut. Skadade tillbehör faller normalt sönder under denna testtid.**
- i) **Bär personlig skyddsutrustning. Använd ansiktsmask eller skyddsglasögon beroende på tillämpning. Bär dammask, hörselskydd, handskar och skyddsförkläde som kan stoppa små bitar av slipmaterial och arbetsstycken.** Ögonskyddet måste kunna stoppa flygande flisor som skapas vid olika tillämpningar. Dammasken eller andningsmasken måste kunna filtrera partiklar som skapas vid ditt arbete. Lång exponering för buller kan orsaka hörselnedsättning.
- j) **Håll kringstående på ett säkert avstånd från arbetsområdet. Alla som befinner sig på arbetsområdet måste bära skyddsutrustning.** Bitar av arbetsstycken eller trasiga tillbehör kan flyga iväg och orsaka skada även bortom arbetsområdets omedelbara närhet.
- k) **Håll endast elverktyg i de isolerade greppytorna när du utför arbete där skärtillbehör kan komma i kontakt med dolda ledningar.** Kaptillbehör som kommer i kontakt med en strömförande ledning kan göra att exponerade metalldelar hos elverktyget blir strömförande och kan ge användaren en elstöt.
- l) **Håll alltid fast verktyget med händerna under start.** Reaktionsvridmomentet hos motorn då den accelererar till full hastighet kan göra att verktyget vrider sig.
- m) **Använd klämmor för att stödja arbetsstycken närhelst så är praktiskt. Håll aldrig ett litet**

- arbetsstycke i en hand och verktyget i en andra under användning.** Fastklämning av ett litet arbetsstycke låter din använda dina händer för att kontrollera verktyget. Runda material såsom runda träpinnar, rör eller rörledningar har en tendens att rulla när de kapas och orsaka att bitsen fastnar eller jobbar mot dig.
- n) **Håll sladden borta från det roterande tillbehöret.** Om du förlorar kontrollen kan sladden kapas eller fastna och din hand eller arm kan dras in i det roterande tillbehöret.
- o) **Lägg aldrig ifrån dig elverktyget förrän tillbehöret har stannat helt och hållet.** Det roterande tillbehöret kan få tag i ytan och dra med sig elverktyget så att du förlorar kontrollen.
- p) **Efter att bitsen bytts eller andra någon justering gjorts, se till att hylsans mutter, chucken eller andra inställningsenheter är säkert åtdragna.** Lösa inställningsenheter kan oväntat ändras och göra att kontrollen förloras, lösa roterande komponenter kommer att kastas iväg med kraft.
- q) **Låt inte elverktyget vara igång när du bär det vid din sida.** Det roterande tillbehöret kan oavsiktligt fastna i dina kläder och dra verktyget mot din kropp.
- r) **Rengör ditt elverktygs luftventiler regelbundet.** Motorns fläkt drar in damm i huset och stor ansamling av metalldamm kan orsaka elfara.
- s) **Använd inte elverktyget nära lättantändliga material.** Gnistor kan antända sådana material.
- t) **Använd inte tillbehör som kräver kylvätskor.** Användning av vatten eller andra kylvätskor kan resultera i elstöt eller elchock.

Rekyl och relaterade varningar

Rekyl är en plötslig reaktion på en klämd eller fastkörd roterande skiva, slipband, borste eller något annat tillbehör. Klämning eller fastkörning orsakar snabb överstegring hos det roterande tillbehöret, vilket i sin tur tvingar det okontrollerade elverktyget i motsatt riktning mot tillbehörets rotation. Om en slipskiva till exempel fastnar eller kläms fast i arbetsstycket kan skivans kant som går in i en klämpunkt gräva in sig i materialets yta, vilket kan orsaka att skivan går av. Skivan kan antingen hoppa mot eller från användaren, beroende på skivans rörelseriktning vid punkten där det fastnar. Slipskivor kan också gå sönder under dessa förhållanden. Rekyl är ett resultat av verktygsmissbruk och/eller felaktiga arbetsprocedurer eller förhållanden och kan undvikas genom tillämpning av försiktighetsåtgärder som beskrivs nedan.

- a) **Ha ett stadigt grepp om elverktyget och placera din kropp och arm på ett sätt som gör att du ta upp rekylkrafterna.** Användaren kan kontrollera rekyl om rätt försiktighetsåtgärder vidtas.
- b) **Var särskilt försiktig när du bearbetar hörn, vassa kanter osv. Undvik att låta tillbehöret studsas eller fastna.** Hörn, vassa kanter och studsning har en tendens att få det roterande tillbehöret att fastna och orsaka förlust av kontroll eller rekyl.
- c) **Fäst inte ett tandat sågblad.** Sådana blad orsakar ofta rekyl och förlust av kontroll.
- d) **Mata alltid bitsen i materialet i samma riktning som kapkanten utgår från materialet (vilket är samma riktning som spånet kastas).** Matning av verktyget i fel riktning för att kapkanten hos bitsen klättrar ut från arbetet och drar verktyget i dess matningsriktning.
- e) **När rotationsfil, kapskivor, höghastighetskuttar eller kuttar av volframskarbid används, ha alltid arbetsstycket väl fastklämt.** Dessa skivor kommer att hugga tag om de hakar i kanten något och kan orsaka rekyl. När en kapskiva huggar tag bryts vanligtvis själva skivan. När en rotationsfil, höghastighets kutter eller volframskarbid huggar tag kan den hoppa från spåret och du förlorar kontrollen över verktyget.

YTTERLIGARE SÄKERHETSINSTRUKTIONER FÖR VINKELSLIPNING OCH KAPNING SARBE- TEN

Särskilda säkerhetsvarningar för slipning och kapslipning:

- a) **Använd endast skivtyper som rekommenderas för ditt elverktyg och endast för rekommenderade arbeten. Slipa till exempel inte med sidan av en kapskiva.** Kapskivor med slipfunktion är avsedda för perifer slipning. Om de utsätts för sidotryck kan de brytas sönder.
- b) **För gängade slipande koner och tappar använd endast oskadade skivspindlar med en obelastad axelfläns som har korrekt storlek och längd.** Korrekta spindlar minskar risken för eventuella bristningar.
- c) **Se till att kapskivan inte kommer i kläm och utsätt den inte för högt tryck. Försök inte skära för djupt.** Om skivan påfrestas för mycket kan den överbelastas. Risken ökar då för att den snedvrids eller hakar fast och orsakar rekyl eller att skivan går sönder.
- d) **Placera inte din hand framför och bakom den roterande skivan.** Om skivan rör sig bort från din

- hand när elverktyget är igång kan det slungas direkt mot dig i händelse av rekyl.
- När skivan nyper eller kläms fast eller arbetet avbryts av någon anledning, koppla från elverktyget och håll det stadigt tills skivan stannar helt. Försök aldrig dra ut den roterande kapskivan ur skärspåret då detta kan leda till rekyl. Undersök anledningen för nypningen eller inklämningen och vidta korrigerande åtgärder.
 - Starta inte om kapningen om elverktyget är i arbetsstycket. Låt skivan uppnå fullt varvtal och för försiktigt in den i skärspåret. I annat fall kan skivan klämmas fast, hoppa ur arbetsstycket eller orsaka rekyl.
 - Stöd paneler och stora arbetsstycken för att minimera risken för att skivor kläms fast och för rekyl. Stora arbetsstycken tenderar att bägna under sin egen vikt. Stöd måste därför placeras under arbetsstycket, nära skärspåret och vid kanten, på båda sidor om skivan.
 - Var extra försiktig vid "instickskapning" i befintliga väggar eller andra dolda områden. Den utstickande skivan kan kapa gas- eller vattenledningar, elledningar eller föremål som kan orsaka kast.

YTTERLIGARE SÄKERHETSÅTGÄRDER FÖR ARBETEN MED STÅLBORSTNING

Säkerhetsvarningar specifikt för arbeten med stålborstning:

- Var medveten om att trådborst kastas iväg av borsten även under normalt arbete. Överskrid inte tillåten belastning på borsten genom överdrivet tryck på borsten. Trådborst kan lätt tränga igenom lätta kläder och/eller huden.
- Låt borsten köra i drifhastighet i minst en minut innan den används. Under denna tid skall ingen stå framför eller i linje med borsten. Lösa trådborst eller trådar kommer att kastas iväg under inkörningstiden.
- Rikta utkastet från den snurrande trådborsten bort från dig. Små partiklar och tunna trådfragment kan kastas iväg med hög hastighet under användningen av dessa borstar och kan tränga igenom huden.

FÖR LADDAREN

Avsedd användning

Ladda endast laddningsbara batteripaket. Andra typer av batterier kan explodera och orsaka personskada och skada.

- Apparaten får inte användas av personer (inklusive barn) med nedsatt fysisk eller mental förmåga eller brist på erfarenhet och kunskap, såvida de inte övervakas eller instrueras.
- Barn skall övervakas så att de inte leker med apparaten.
- Ladda inte batterier som inte är uppladdningsbara!
- Batterierna måste placeras i ett väl ventilerat område under laddning!
- Inbyggda batterier ska endast tas bort för kasserings av kvalificerad personal. Öppning av höljet kan förstöra elverktyget.
För att ta bort batteriet från elverktyget, tryck in strömbrytaren (5) tills batteriet är helt urladdat. Skruva loss skruvarna på höljet och ta bort höljets skal för att ta bort batteriet. För att förhindra kortslutning, koppla bort kontaktarna på batteriet en åt gången och isolera sedan polerna. Även när batteriet är helt urladdat innehåller det fortfarande en kvarvarande kapacitet som kan frigöras vid kortslutning.

Elsäkerhet

Följ alltid säkerhetsföreskrifterna som gäller i ditt land när du arbetar med elverktyg för att minska risken för brand, elstöt och personskada. Läs följande säkerhetsanvisningar.



Kontrollera alltid så att spänningen på nätet motsvarar den spänning som finns angiven på märkplåten.



Din maskin är dubbelisolerad, då behövs ingen jordledare.

2. MASKININFORMATION

Avsedd användning

Detta elverktyg är avsett att fungera som en vinkelslip, slipning, stålborstning, polering, skär- och kapverktyg. Detta kombiverktyg är utmärkt för arbete med material såsom trä, plast, sten, aluminiumrör, mässing och stål. Använd alltid korrekta tillbehör och hastighetsinställning.

TEKNISKA SPECIFIKATIONER

Modell-nr	CT503DC
Uppladdningsbart batteri	4V litiumjon 600mAh
Batteriuppladdningstid	2 timmar

Maximal skivdiameter	Ø 35 mm
Maximal borrhål diameter	Ø2,3 mm
Varvtal utan belastning	5000/10000/15000/min
Fjäderchuckens kapacitet	2,3 mm
Vikt	0,1 kg
Lpa (Ljudtrycksnivå)	79 + 3 dB(A)
Lwa (Ljudeffektnivå)	90 + 3 dB(A)
Vibration	1,177 +1,5 m/s ²

Vibrationsnivå

Vibrationsutsläppsnivån som anges i denna bruksanvisning har uppmätts i enlighet med ett standardiserat test i EN 60745, som kan användas för att jämföra verktyg med varandra och som en preliminär bedömning av exponering för vibrationer när du använder verktyget för angivna.

- Användning av verktyget för andra tillämpningar, eller med olika eller dåligt underhållna tillbehör kan avsevärt öka exponeringsnivån.
- De gånger då verktyget stängs av eller är på men egentligen inte används kan minska exponeringsnivån betydligt.

Skydda dig mot effekterna av vibrationer genom att underhålla verktyget och dess tillbehör, hålla händerna varma och organisera ditt arbetsmönster.

BESKRIVNING

Siffrorna i texten hänvisar till diagrammen på sidorna 2-4

1. Chuckhylsa
2. Spindellås
3. På/av-knapp och hastighetsjusteringsknapp
4. Hastighetsindikeringslampa
5. Laddningsindikeringslampa
6. Laddarkabel

3. MONTERING



Se alltid till att maskinen är avstängd innan något tillbehör monteras.



Varning! Byt tillbehör genom att sätta in ett tillbehör i hylsan (eller chucken) så långt det är möjligt för att minimera utlopp och obalans.

Montering av tillbehör (fig. B)

Tryck på spindellåsknappen (2) och håll den intryckt. Skruva loss hylsan (1) för hand. Placera tillbehöret på dess plats. Tryck på spindellåsknappen (2) vid fastsättning av hylsan (1).



Tryck inte på spindellåsknappen när motorn är igång.

4. HANTERING

Slå på maskinen genom att trycka på strömbrytaren (3). Genom att trycka på strömbrytaren (3) en andra gång kommer maskinen att justera till hastighet 2, tryck för tredje gången och maskinen justerar till hastighet 3. Genom att trycka på strömbrytaren (3) en fjärde gång stängs maskinen av. Lägg inte ner maskinen när motorn fortfarande är igång. Placera inte maskinen på ett dammig underlag. Dammpartiklar kan komma in i mekanismen.



För hög belastning vid låg hastighet på multiverktyget kan bränna ut motorn.

Batteriet måste laddas innan det används för första gången.

Laddning av enheten (med laddaren)

- Anslut laddarkabeln (6) (ingår) i en adapter (ingår ej).
- Anslut laddarkabeln (6) till maskinen. (fig. J)
- Koppla in laddarens kontakt i ett eluttag och vänta en stund. Laddarens indikeringslampa (5) kommer att lysa och visa laddningsstatusen.

LED	Laddningsstatus
Röd	Batteriladdning pågå
Grön	Batteriladdning slutförd, batteri fulladdat

- Efter att batteriet laddats fullt, ta bort laddarens kontakt från uttaget och ta bort den lilla kontakten från enheten.

Hålla och styra verktyget (fig. C)

- För precisionsarbete (graving): penngrepp (C1)
- För grövre arbeten (vinkelslipning): parkopplar knivhandgrepp (C2)
- När du behöver hålla verktyget parallellt med arbetsytan (t.ex. använda en kapskiva): 2 händer golfgrepp (C3)

Optimal användning av kombiverktyget och dess tillbehör (fig. A)

För optimal användning av tillbehören använd korrekt hastighet. Du kan referera till översikten "Rekommenderad hastighetsinställning" nedan för att avgöra korrekt hastighet baserat på det material som arbetas med och typ av tillbehör som används. Denna översikt gör att du kan välja både korrekt tillbehör och optimal hastighet.

De 3 indikeringslamporna för hastigheten (4) är lika med siffrorna 1, 2 och 3 i översikten "Rekommenderad hastighetsinställning". Det ultimata sättet att avgöra korrekt hastighet för arbete på ett material är att testa på en bit skräpmaterial.

REKOMMENDERAD HASTIGHETSINSTÄLLNING

Slipstenar (fig. D)

Material	Hastighetsinställning
Sten, skal	1-2
Stål	2-3
Aluminium, mässing	2
Plast	1-2

Filthjul och spets (fig. E)

Filthjulen eller spetsen ska skruvas fast på dornen.

Material	Hastighetsinställning
Stål	2-3
Aluminium, mässing	2
Plast	2-3

Slipband och skiva (slipskiva ingår inte sekunder (fig. F)

Material	Hastighetsinställning
Trä	3
Stål	1-2
Aluminium, mässing	2
Plast	1-2

Borstborste (fig. G)

Material	Hastighetsinställning
Sten, skal	2
Aluminium, mässing	2

Höghastighetsfräs, diamantspets och borr (fig. H)

Material	Hastighetsinställning
Sten, skal	3
Stål	2
Aluminium, mässing	3
Plast	1-2

Slipskiva (skiva ingår ej) (fig. I)

Material	Hastighetsinställning
Stål	2-3
Aluminium, mässing	2
Plast	1-2

5. UNDERHÅLL



Se till att maskinen inte är strömansluten när underhållsarbete utförs på motorn.

Håll ventilationsöppningarna på maskinen rena för att förhindra att motorn överhettas. Rengör verktygets hölje regelbundet med en mjuk trasa, helst efter varje användning. Håll ventilationsöppningarna fria från damm och smuts. Om smutsen inte kan fås bort, använd en mjuk trasa doppad i tvålatten. Använd aldrig lösningsmedel som bensin, alkohol, ammoniak, etc. Dessa typer av lösningsmedel kan skada plastdelarna. Rengör alltid verktyget omedelbart efter användning.

MILJÖ



Skadade och/eller kasserade elektriska eller elektroniska apparater måste slängas på återvinningsstationer avsedda för detta ändamål.

Endast för EU-länder

Kassera inte elverktyg i hushållsavfall. Enligt den europeiska riktlinjen 2012/19/EU om kasserad elektrisk och elektronisk utrustning och dess tillämpning i nationell rätt måste elverktyg som inte längre är användbara samlas in separat och kasseras på ett miljövänligt sätt.

GARANTI

VONROC-produkter är utvecklade enligt högsta kvalitetsstandard och garanteras fria från defekter i både material och utförande under den period som lagen föreskriver från och med inköpsdatumet. Om produkten skulle utveckla fel under denna period på grund av defekt material och/eller utförande, kontakta då VONROC direkt.

Följande omständigheter är undantagna från denna garanti:

- Reparationer och/eller ändringar har gjorts eller försökts utföras på maskinen av obehöriga servicecenter;
- Normalt slitage;
- Verktuget har missbrukats, använts på fel sätt eller underhållits felaktigt;
- Reservdelar som inte är original har använts.

Detta utgör den enda garantin som företaget ger antingen uttryckt eller underförstått. Det finns inga andra garantier uttryckta eller underförstådda som sträcker sig bortom detta, inklusive de underförstådda garantierna för säljbarhet och lämplighet för ett visst syfte. Under inga omständigheter ska VONROC hållas ansvarigt för indirekta skador eller följdskador. Återförsäljarnas åtgärder ska begränsas till reparation eller byte av enheter eller delar som inte uppfyller kraven.

Produkten och användarhandboken kan ändras. Specifikationerna kan ändras utan förvarning.

1. SIKKERHEDSANVISNINGER

Læs de vedlagte sikkerhedsadvarsler, de yderligere sikkerhedsadvarsler og vejledningen. Hvis sikkerhedsadvarslerne og vejledningen ikke følges, kan det resultere i elektrisk stød, brand og/eller alvorlige personskader. Gem sikkerhedsadvarslerne og vejledningen til fremtidig brug.

Følgende symboler anvendes i brugervejledningen eller på produktet:



Angiver risiko for personskade, dødsfald eller beskadigelse af værktøjet i tilfælde af manglende overholdelse af anvisningerne i denne vejledning.



Risiko for elektrisk stød



Variabel hastighedskontrol



Kun til indendørs brug



Brug høreværn og øjenbeskyttelse



Bær en støvmaske



Tryk ikke på spindellåseknappen, mens motoren kører.



Klasse II-maskine - Dobbeltisoleret - Du har ikke brug for et jordstik.



Maks. temperatur 40°C



Kast ikke batteriet ind i åben ild



Kast ikke batteriet ned i vand



Bortskaf ikke produktet i uegnede beholdere.



Separat aflevering af Li-ion batteri.



Produktet er i overensstemmelse med de gældende sikkerhedsstandarder i EU-direktiverne.

GENERELLE SIKKERHEDSADVARSLER FOR ELVÆRKTØJ



ADVARSEL! Læs alle sikkerhedsadvarsler og alle anvisninger. Hvis advarslerne og vejledningen ikke følges, kan det resultere i elektrisk stød, brand og/eller alvorlige personskader.

Gem alle advarsler og instruktioner til fremtidig brug.

Udtrykket "el-værktøj" i advarslerne refererer til dit el-værktøj (med ledning) eller dit batteridrevne (ledningsfri) el-værktøj.

1) Sikkerhed på arbejdsområdet

- a) **Hold arbejdsområdet rent og godt oplyst.** Der er risiko for ulykker på rodede eller mørke områder.
- b) **Brug ikke el-værktøj i eksplosive atmosfærer, f.eks. i nærheden af brandfarlige væsker, gasser eller støv.** El-værktøj danner gnister, der kan antænde støv eller dampe.
- c) **Hold børn og tilskuere væk, mens du bruger et el-værktøj.** Distractioner kan få dig til at miste kontrollen.

2) El-sikkerhed

- a) **Stik på el-værktøj skal passe til stikkontakten. Stikket må aldrig modificeres på nogen måde. Brug ikke adapterstik med jordforbundne (jordede) el-værktøj.** Umodificerede stik og tilsvarende stikkontakter reducerer risikoen for elektrisk stød.
- b) **Undgå kropskontakt med jordede overflader, såsom rør, radiatorer, områder og køleskabe.** Der er en øget risiko for elektrisk stød, hvis din krop er jordet.
- c) **El-værktøjer må ikke udsættes for regn eller våde omgivelser.** Vand, der trænger ind i et el-værktøj, vil øge risikoen for elektrisk stød.
- d) **Misbrug ikke ledningen. Brug ikke ledningen til at bære, trække eller frakoble el-værktøjet. Hold ledningen væk fra varme, olie, skarpe kanter eller dele i bevægelse.** Beskadigede eller sammenfildrede ledninger øger risikoen for elektrisk stød.
- e) **Når du betjener et el-værktøj udendørs, skal du bruge en forlængerledning, der er velegnet til udendørs brug.** Brug af en ledning, der er velegnet til udendørs brug, reducerer risikoen for elektrisk stød.

- f) **Hvis det ikke kan undgås at bruge et maskinværktøj i et fugtigt miljø, bør du anvende en forsyning, der er beskyttet af en fejlstrømsafbryder (RCD).** Brugen af en RCD reducerer risikoen for elektrisk stød.

3) Personlig sikkerhed

- a) **Vær opmærksom, se hvad du laver, og brug din sunde fornuft, når du bruger et el-værktøj. Brug ikke et el-værktøj, når du er træt eller påvirket af stoffer, alkohol eller medicin.** Et øjeblik uopmærksomhed under brug af el-værktøj kan resultere i alvorlig personskade.
- b) **Brug personligt sikkerhedsudstyr. Bær altid øjenværn.** Beskyttelsesudstyr såsom støvmaske, skridsikre sikkerhedssko, hjelm eller høreværn, der bruges til passende forhold, reducerer personskader.
- c) **Undgå utilsigtet start. Sørg for, at kontakten er slukket, før du tilslutter strømkilden og/eller batteripakken, tager maskinen op eller bærer værktøjet.** Hvis el-værktøj bæres med fingeren på kontakten, eller når el-værktøj strømføres med tændt kontakt, kan der nemt ske ulykker.
- d) **Fjern en eventuel justeringsnøgle eller skruenøgle, inden du tænder for el-værktøjet.** En skruenøgle eller en justeringsnøgle, der er fastgjort til en roterende del af el-værktøjet, kan resultere i personskade.
- e) **Ræk dig ikke for langt. Hold altid et korrekt fodfæste og balancen.** Dette giver bedre kontrol over el-værktøjet i uventede situationer.
- f) **Klæd dig korrekt. Bær ikke løst tøj eller smykker. Hold dit hår, tøj og handsker væk fra bevægelige dele.** Løst tøj, smykker eller langt hår kan sætte sig fast i bevægelige dele.
- g) **Hvis der leveres enheder til tilslutning af støvudsugnings- og opsamlingsfaciliteter, skal du sikre, at disse er tilsluttet og bliver brugt korrekt.** Brug af støvopsamling kan reducere støvrelaterede farer.
- h) **Lad ikke kendskab opnået gennem hyppig brug af værktøj lade dig blive tilbagelænet og ignorere værktøjssikkerhedsprincipper.** En skødesløs handling kan forårsage alvorlig personskade inden for en brøkdel af et sekund.

4) Brug og pleje af el-værktøj

- a) **Tving ikke el-værktøjet. Brug det korrekte el-værktøj til din opgave.** Det korrekte el-værktøj vil gøre et bedre stykke arbejde og vil være

- mere sikkert ved den hastighed, det var beregnet til.
- b) **Brug ikke el-værktøjet, hvis kontakten ikke tænder og slukker.** Ethvert el-værktøj, der ikke kan styres med kontakten, er farligt og skal repareres.
 - c) **Tag stikket ud af strømkilden og/eller fjern batteripakken fra el-værktøjet, før du foretager justeringer, skifter tilbehør eller opbevarer el-værktøj.** Disse forebyggende sikkerhedsforanstaltninger reducerer risikoen for at starte el-værktøjet ved et uheld.
 - d) **Opbevar inaktivt el-værktøj uden for børns rækkevidde, og lad ikke personer, der ikke har kendskab til el-værktøjet eller disse instruktioner, betjene værktøjet.** El-værktøjer er farlige i hænderne på utrænede brugere.
 - e) **Vedligehold el-værktøjer. Se efter forkert justering eller binding af bevægelige dele, ødelagte dele og enhver anden tilstand, der kan påvirke el-værktøjets drift. Hvis det er beskadiget, bør du få el-værktøjet repareret før brug.** Mange ulykker forårsages af dårligt vedligeholdt el-værktøj.
 - f) **Hold skæreværktøj skarpt og rent.** Korrekt vedligeholdt skæreværktøjer med skarpe skærekanter har mindre tilbøjelighed til at binde og er lettere at styre.
 - g) **Brug el-værktøj, tilbehør og værktøjsbor osv. i overensstemmelse med disse instruktioner under hensyntagen til arbejdsforholdene og det arbejde, der skal udføres.** Brug af el-værktøjet til andet arbejde end det tilsigtede kan resultere i en farlig situation.
 - h) **Hold håndtag og gribeflader tørre, rene og fri fra olie og fedtstof.** Glatte håndtag og gribeflader giver ikke mulighed for sikker håndtering og kontrol af værktøjet i uventede situationer.
- 5) **Brug og pleje af værktøjsbatteri**
 - a) **Brug kun den oplader, der er specificeret af producenten, til opladning.** En oplader, der er egnet til én type batteripakke, kan forårsage risiko for brand, når den anvendes med en anden batteripakke.
 - b) **Brug kun el-værktøj med specifikt udformede batteripakker.** Brug af andre batteripakker kan resultere i risiko for personskader og brand.
 - c) **Når batteripakken ikke er i brug, skal den holdes væk fra andre metalgenstande, som f.eks. papirclips, mønter, nøgler, søm, skruer eller**

andre små metalgenstande, der kan skabe en forbindelse fra den ene terminal til den anden.

Hvis batteriterminalerne kortsluttes, kan det forårsage forbrændinger eller en brand.

- d) **Ved forkert anvendelse kan der slippe væske ud af batteriet; undgå kontakt. Skyl med vand, hvis der skulle opstå kontakt ved et uheld. Søg derudover lægehjælp, hvis der kommer væske ind i øjnene.** Væske fra batteriet kan forårsage irritation eller forbrændinger.
- e) **Brug ikke en batteripakke eller et værktøj, der er beskadiget eller modificeret.** Beskadigede eller modificerede batterier kan udvise uforudsigelig adfærd, hvilket resulterer i brand, eksplosion eller risiko for personskade.
- f) **Undlad at udsætte en batteripakke eller et værktøj for åben ild eller for høj temperatur.** Udsættelse for åben ild eller temperatur over 130 °C kan forårsage eksplosion. BEMÆRK Temperaturen „130 °C“ kan erstattes af temperaturen „265 °F“.
- g) **Følg alle opladningsinstruktioner, og oplad ikke batteripakken eller værktøjet uden for temperaturintervallet specificeret i instruktionerne.** Forkert opladning eller opladning ved temperaturer uden for det specificerede interval kan beskadige batteriet og øge risikoen for brand.

6) Service

- a) **Lad dit el-værktøj blive serviceeret af en kvalificeret reparatør, der kun bruger identiske reservedele.** Dette sikrer, at maskinværktøjet fortsat er sikkert at bruge.
- b) **Foretag aldrig service på beskadigede batteripakker.** Service af batteripakker bør kun udføres af producenten eller autoriserede serviceudbydere.

SPECIFIKKE SIKKERHEDSANVISNINGER

- a) **Dette el-værktøj er beregnet til funktioner såsom slibning, finpudsning, stålborstebehandling, polering, ud- og afskæring. Læs alle sikkerhedsadvarsler, instruktioner, illustrationer og specifikationer, der følger med dette el-værktøj.** Hvis alle nedenstående instruktioner ikke følges, kan det resultere i elektrisk stød, brand og/eller alvorlige kvæstelser.
- c) **Brug ikke tilbehør, som ikke er udformet specifikt til – og anbefalet af – værktøjsproducenten.** Blot fordi tilbehøret kan anbringes i el-værktøjet, er det ikke nødvendigvis ensbetydende med sikker drift.

- d) **Slibetilbehørets nominelle hastighed skal være mindst lig med den maksimale hastighed, der er markeret på el-værktøjet.** Slibetilbehør, der anvendes med højere hastighed end deres nominelle omdrejningstal, kan gå i stykker og flyve fra hinanden.
- e) **Den udvendige diameter og tykkelsen af dit tilbehør skal være inden for dit el-værktøjs nominelle kapacitet.** Tilbehør i ukorrekt størrelse kan ikke kontrolleres tilstrækkeligt.
- f) **Størrelsen på hjul, slibetromler eller andet tilbehør skal passe korrekt til el-værktøjets spindel eller spændetang.** Tilbehør, som ikke passer til el-værktøjets monteringsdele, kører uregelmæssigt, vibrerer for meget og kan forårsage, at man mister kontrollen over værktøjet.
- g) **Boremonterede hjul, slibetromler, fræsere eller andet tilbehør skal sættes helt ind i bore- eller spændepatronen.** Hvis borepatronen ikke holdes ordentligt fast og/eller hvis skiven rager for langt ud, kan skiven løsne sig og falde af med høj hastighed.
- h) **Anvend ikke beskadiget tilbehør.** Inden hver anvendelse skal tilbehøret kontrolleres, som f.eks. slibeskiver for splinter og revner, slibevalser for revner og kraftigt slid, metalbørsten for løse eller revnede metaltråde. Hvis maskinværktøjet eller tilbehøret tabes, skal det efterses for skader, eller der skal monteres et stykke tilbehør, der ikke er beskadiget. Når du har eftersat og monteret et stykke tilbehør, skal du selv og evt. tilskuere stille jer på afstand af det roterende tilbehørs plane overflade og tænde el-værktøjet ved maksimal hastighed uden last i et minut. Beskadiget tilbehør går som regel i stykker i løbet af denne testtid.
- i) **Bær personligt sikkerhedsudstyr. Afhængigt af anvendelsen bør du bruge ansigtsskærm eller sikkerhedsbriller. Bær om nødvendigt støvmasker, hørevern, handsker og værkstedsforklæde, der kan stoppe små slibestykker eller fragmenter.** Øjenværnet skal kunne stoppe flyvende rester, der opstår under forskellige driftsformer. Støvmasken eller filtermasken skal kunne filtrere partikler, der opstår under driften. Længerevarende eksponering for høje lyde kan resultere i høretab.
- j) **Personer i nærheden skal holde sig i sikker afstand fra arbejdsområdet. Alle, der bevæger sig ind på arbejdsområdet, skal bære personligt sikkerhedsudstyr.** Fragmenter fra arbejdsemner eller ødelagt tilbehør kan flyve væk og forårsage kvæstelser uden for det umiddelbare driftsområde.
- k) **Hold kun fast rundt om el-værktøjet på de isolerede gribeblader, når der bliver udført arbejde, hvor skæretilbehøret muligvis kan komme i kontakt med skjulte ledninger.** Hvis skæretilbehør kommer i kontakt med en strømførende ledning, kan det forårsage at el-værktøjets eksponerede metaldele bliver strømførende og udsætter brugeren for elektrisk stød.
- l) **Hold altid godt fast rundt om værktøjet med din hånd/hænder under opstart.** Motorens reaktionsmoment, når det accelererer op til fuldt omdrejningstal, kan forårsage at værktøjet vibrerer.
- m) **Anvend om muligt klemmeanordninger til at fastholde arbejdsemnet. Hold aldrig fast i et lille arbejdsemne med den ene hånd og værktøjet med den anden under anvendelsen.** Når et lille arbejdsemne bliver klemt fast, er det muligt at bruge begge hænder til styre værktøjet. Rundt materiale så som dyvelstænger, rør eller rørføring tenderer til at rulle ved skæring, hvilket kan forårsage at bits binder eller til at slå tilbage.
- n) **Anbring ledningen på afstand af det roterende tilbehør.** Hvis du mister kontrollen, kan ledningen blive skåret over eller indfanget, og din hånd eller arm kan blive trukket ind i det roterende tilbehør.
- o) **Læg aldrig el-værktøjet ned, før tilbehøret er standset helt.** Det roterende tilbehør kan gribe fat i overfladen, hvilket kan forårsage, at du mister kontrollen over el-værktøjet.
- p) **Efter at have skiftet delene eller foretaget justeringer, skal du sørge for, at spændebøjlen, patronen eller andre justeringsanordninger er ordentligt spændt.** Løse indstillingsenheder kan forårsage uventede skift, hvilket kan medføre at du mister kontrollen over værktøjet og roterende dele slynges ud.
- q) **Lad ikke el-værktøjet være tændt, mens du bærer det.** Hvis roterende tilbehør ved et uheld kommer i berøring med dit tøj, kan det trække tilbehøret hen mod dig.
- r) **Rengør el-værktøjets udluftningshuller regelmæssigt.** Motorblæseren trækker støv ind i huset, og en for stor akkumulering af metalpulver kan forårsage el-farer.
- s) **Anvend ikke el-værktøjet i nærheden af brændbare materialer.** Gnister kan antænde disse materialer.

t) **Anvend ikke tilbehør, der kræver kølevæske.**

Hvis der anvendes vand eller andre kølevæsker, kan det resultere i stød, som evt. forårsager dødsfald eller chok.

Tilbageslag og relaterede advarsler

Tilbageslag er en pludselig reaktion på en roterende skive, slibeband, børste eller andet tilbehør, der bliver klemt inde eller indfanget. Når det roterende tilbehør bliver klemt inde eller indfanget, standser det hurtigt, hvilket til gengæld tvinger det ukontrollerede el-værktøj i den modsatte retning af tilbehørets rotation.

Hvis en slibeskive f.eks. bliver klemt inde eller fanget af arbejdsemnet, kan kanten af skiven, der trænger ind i klempunktet, gribe fat i materialets overflade og dermed få skiven til at springe ud eller slå tilbage. Skiven kan enten bevæge sig hen mod eller væk fra operatøren, afhængigt af skivens bevægelsesretning ved klempunktet. Slibeskiver kan også blive ødelagt under disse forhold.

Tilbageslag opstår som et resultat af ikke korrekt brug af el-værktøjet og/eller forkerte anvendelsesprocedurer eller -forhold, hvilket kan undgås ved at træffe de passende foranstaltninger, som angivet herunder.

- Hold godt fast i maskinværktøjet, og anbring din krop og arm på en sådan måde, at du kan modstå tilbageslagskræfter.** Brugeren kan styre tilbageslagskraften, hvis der træffes passende foranstaltninger.
- Vær særlig forsigtig når du arbejder på hjørner, skarpe kanter osv. Undgå tilbageslag og at tilbehøret sætter sig fast.** Ved hjørner, skarpe kanter eller vibration tenderer roterende tilbehør til at sætte sig fast, hvilket forårsager tilbageslag eller at du mister kontrollen.
- Montér ingen savklinge med savtænder.** Disse klinger kan skabe hyppigt tilbageslag og tab af kontrol.
- Før altid den pågældende del ind i materialet i den samme retning, som skæringen bliver udført, indtil den er kommet igennem hele materialet (hvilket er den samme retning som spånerne bliver kastet).** Hvis værktøjet føres i den modsatte retning, kan det forårsage at delen springer ud af emnet og det får værktøjet til at slå tilbage.
- Når der anvendes roterende file, skæreskiver, skærehoveder med høj hastighed eller wolframkarbid-skærehoveder skal arbejdsemnet altid spændes godt fast.** Disse skiver sætter sig fast,

hvis de kommer en smule i klemme i en rille og kan slå tilbage. Når en skæreskive sætter sig fast, bremser skiven for det meste af sig selv. Når en roterende fil, et skærehoved med høj hastighed eller wolframkarbid-skærehoved sætter sig fast, kan de springe ud af rillen og du mister kontrollen over værktøjet.

YDERLIGERE SIKKERHEDSINSTRUKTIONER FOR SLIBE- OG SKÆREDRIFT

Specifikke sikkerhedsadvarsler for slibe- og skæreanvendelser:

- Anvend kun hjul typer, der anbefales til dit el-værktøj, og kun til det tilsigtede formål. F.eks.: Slib ikke med siden af en skæreskive.** Slibende skæreskiver er beregnet til periferisk slibning. Sidekræfter mod disse skiver kan forårsage at de brister.
- Ved slibekonusser og -hjul med gevind må der kun anvendes ubeskadigede spændepatroner med en yderflange, der er af korrekt størrelse og længde.** Korrekte spændepatroner reducerer muligheden for brud.
- Undgå at skæreskiven sætter sig fast eller at bruger for mange kræfter. Forsøg ikke at foretage et for dybt snit.** Hvis skiven overbelastes, øges belastningen og risikoen for, at skiven bliver snoet eller sætter sig fast i snittet samt for, at der opstår tilbageslag eller skivebeskadigelse.
- Placér ikke din hånd på linje med og bagved den roterende skive.** Når skiven bevæger sig væk fra din hånd under anvendelsen, kan det mulige tilbageslag drive den roterende skive og el-værktøjet direkte hen mod dig.
- Når skiven sætter sig fast, eller når en skæring af en eller anden årsag afbrydes, skal du slukke for el-værktøjet og holde det stille, indtil skiven stopper helt. Forsøg aldrig at fjerne skæreskiven fra snittet, mens skiven er i bevægelse, da der så kan opstå tilbageslag.** Undersøg og træf korrigerende foranstaltninger for at afhjælpe årsagen til at skiven sætter sig fast.
- Genstart ikke skæringen direkte i arbejdsemnet. Lad skiven nå den fulde hastighed og før den forsigtigt ind i snittet.** Skiven kan sætte sig fast, springe ud eller slå tilbage, hvis el-værktøjet startes i arbejdsemnet igen.
- Understøt plader eller et evt. overdimensioneret arbejdsemne for at minimere risikoen for, at skiven sætter sig fast og slår tilbage.** Større arbejdsemner tenderer til at synke nedad pga.

egenvægten. Der skal anbringes støtter under arbejdsemnet tæt på skærelinjen og kanten af arbejdsemnet på begge sider af skiven.

- h) **Vær ekstra forsigtig, når du laver et "lømmesnit" i eksisterende vægge eller andre blinde områder.** Den udragende skive kan skære gas- eller vandrør, el-ledninger eller genstande over, som kan forårsage tilbageslag.

YDERLIGERE SIKKERHEDSINSTRUKTIONER FOR ANVENDELSE AF STÅLBØRSTE

Specifikke sikkerhedsadvarsler ved anvendelse af stålbørste:

- a) **Vær opmærksom på at tråde i en stålbørste løsner sig af sig selv ved normal anvendelse. Overbelast ikke trådene ved at bruge for mange kræfter mod børsten.** Trådene i børsten kan let trænge igennem let tøj og/eller hud.
- b) **Lad børster køre ved driftshastighed i mindst et minut inden anvendelsen. I dette tidsrum må der ikke befinde sig personer foran eller på linje med børsten.** Løse hår eller tråde kan slippe ud af børsten under indkøringsfasen.
- c) **Ret den roterende stålbørste væk fra dig.** Små partikler og mindre trådstykker kan løsne sig fra børsten med meget høj hastighed under anvendelsen af disse børster, og de kan trænge ind i din hud.

VEDRØRENDE OPLADEREN

Tilsigtet brug

Der må kun oplades genopladelige batteripakker. Andre typer batterier kan sprænge og dermed forårsage personskader og beskadigelser.

- a) **Dette apparat er ikke beregnet til at blive anvendt af personer (herunder børn) med reducerede fysiske, sansemæssige eller mentale evner samt med manglende erfaring eller viden, med mindre de er under opsyn eller bliver instrueret**
- b) **Børn skal være under opsyn, så de ikke leger med apparatet**
- c) **Oplad ikke batterier, der ikke er genopladelige!**
- d) **Under opladningen skal batterierne befinde sig i et område med god udluftning!**
- e) **Indbyggede batterier må kun fjernes til bortskaffelse af kvalificeret personale.** Åbning af husets yderbeklædning kan ødelægge el-værktøjet. For at fjerne batteriet fra el-værktøjet skal du trykke på tænd/sluk-kontakten (5), indtil batteriet er helt afladet. Løsn skruerne på huset og fjern husets yderbeklædning for at fjerne batteriet. For at forhindre en kortslutning skal

du afbryde konnektorerne på batteriet én ad gangen og derefter isolere polerne. Selv når det er helt afladet, indeholder batteriet stadigvæk en restkapacitet, som kan frigives i tilfælde af kortslutning.

El-sikkerhed

Når du bruger el-maskiner, skal du altid overholde de gældende sikkerhedsbestemmelser i dit land for at reducere risikoen for brand, elektrisk stød og personskader. Læs de følgende sikkerhedsinstruktioner.



Kontrollér altid, at strømforsyningen stemmer overens med spændingen på ydelsesskiltet.



Din maskine er dobbeltisoleret, derfor kræves ingen jordledning.

2. MASKINOPLYSNINGER

Tilsigtet brug

Dette el-værktøj er beregnet til funktioner så som slibning, finpudsning, stålbørstebehandling, polering, ud- og afskæring. Dette kombi-værktøj er velegnet til bearbejdning af materialer så som træ, plastik, sten, aluminiumskal, messing og stål. Anvend altid korrekt tilbehør og hastighedsindstilling.

TEKNISKE SPECIFIKATIONER

Model nr.	CT503DC
Genopladeligt batteri	4V Li-ion 600mAh
Batteriets opladningstid	2 timer
Maksimal skivediameter	Ø35 mm
Maksimal borediameter	Ø2,3 mm
Uden belastningshastighed	5.000/10.000/15.000/min
Fjederpatronens kapacitet	2,3 mm
Vægt	0,1kg
Lpa (lydtrykniveau)	79+3 dB(A)
Lwa (lydeffektniveau)	90+3 dB(A)
Vibration	1,177 +1,5 m/s ²

Vibrationsniveau

Det vibrationsmissionsniveau, der er angivet i denne brugervejledning, er målt i overensstemmelse med en standardiseret test i henhold til EN 60745; den kan bruges til at sammenligne et værktøj med et andet og som en foreløbig vurde-

ring af eksponering for vibrationer, når værktøjet bruges til de nævnte funktioner.

- Brug af værktøjet til forskellige funktioner eller med forskelligt eller dårligt vedligeholdt tilbehør kan øge eksponeringsniveauet.
- de gange, hvor værktøjet er slukket, eller når det er tændt, men ikke bruges til opgaven på det pågældende tidspunkt, kan det reducere eksponeringsniveauet betydeligt.

Beskyt dig mod vibrationseffekterne ved at vedligeholde værktøjet og dets tilbehør, holde dine hænder varme og organisere dine arbejdsmønstre.

BESKRIVELSE

Tallene i følgende tekst henviser til billederne på side 2-4

1. Spændepatron
2. Spindellås
3. Tænd/sluk-knap og hastighedsjusteringsknap
4. Indikatorlampe for hastighed
5. Indikatorlampe for opladning
6. Opladerkabel

3. SAMLING



Sørg altid for, at maskinen er slukket, før du monterer et tilbehør.



Advarsel! Udskift tilbehør ved at indsætte et tilbehør i spændepatronen (eller patronen) så langt ind som muligt for at minimere udløb og ubalance.

Montering af tilbehør (Bill. B)

Tryk på spindellåsknappen (2) og hold den nede. Skru spændepatronen (1) af med hånden. Anbring tilbehøret i spændepatronen. Tryk på spindellåsknappen (2) når spændepatronen (1) fastgøres.



Tryk ikke på spindellåsknappen, mens motoren kører.

4. BETJENING

Tænd for maskinen ved at trykke på tænd-/sluk-knappen (3). Ved at trykke på tænd/sluk-knappen (3) en gang til vil maskinen justere til hastighed 2, tryk tredje gang, så vil maskinen justere til hastighed 3. Ved tryk på tænd/sluk-knappen (3) en fjerde

gang slukker maskinen. Sæt ikke maskinen fra dig, mens motoren stadig kører. Placer ikke maskinen på en støvet overflade. Støvparkler kan trænge ind i mekanismen.



Ved for høj belastning og lav hastighed kan motoren i dit Combitool brænde sammen.

Batteriet skal oplades inden første brug.

Opladning af enheden (med opladeren)

- Sæt opladerkablet (6) (medfølger) ind i en adapter (medfølger ikke).
- Sæt opladerkablet (6) i maskinen. (fig. J)
- Sæt opladerstikket i en stikkontakt, og vent et stykke tid. Indikatorlampen for opladning (5) lyser og viser opladestatusen.

LED	Opladerstatus
Rød	Batteriopladning i gang
Grøn	Batteriopladning afsluttet, batteri helt opladet

- Når batteriet er fuldt opladet, skal du tage opladerstikket ud af stikkontakten og fjerne det lille stik fra enheden.

Sådan holder og styrer du værktøjet (Bill. C)

- Til præcisionsarbejde (gravering): blyantsgreb (C1)
- Til groft arbejde (slibning): skæreknivs håndgreb (C2)
- Når du skal holde værktøjet parallelt med arbejdsfladen (f.eks. ved hjælp af et skærehjul): 2 hånds golfgreb (C3)

Optimal brug af kombiværktøjet og dets tilbehør (fig. A)

For optimal brug af tilbehøret brug den korrekte hastighed. Du kan se på oversigten "Anbefalede hastighedsindstilling" nedenfor for at afgøre den korrekte hastighed, baseret på det materiale, der arbejdes med, og den type tilbehør, der anvendes. Denne oversigt gør det muligt at vælge både det korrekte tilbehør og den optimale hastighed. De 3 hastighedsindikatorlys (4) er lig med tallene 1, 2 og 3 i oversigten "Anbefalet hastighedsindstilling". Men derudover er den bedste måde at fastlægge den korrekte arbejdhastighed på et givent materiale selv at udføre en test på et stykke restmateriale.

ANBEFALET HASTIGHEDSINDSTILLING

Slibesten (Bill. D)

Materiale	Hastighedsindstilling
Sten, skaller	1-2
Stål	2-3
Aluminium, messing	2
Plastik	1-2

Filthjul og -spids (Bill. E)

Filthjulene og -tippen skal skrues på dornen.

Materiale	Hastighedsindstilling
Stål	2-3
Aluminium, messing	2
Plastik	2-3

Slibebånd og -skive (slibeskive medfølger ikke) (fig. F)

Materiale	Hastighedsindstilling
Træ	3
Stål	1-2
Aluminium, messing	2
Plastik	1-2

Børstehår (Bill. G)

Materiale	Hastighedsindstilling
Sten, skaller	2
Aluminium, messing	2

Højhastighedsskærer, diamanthjulsspids og boremaskine (Bill. H)

Materiale	Hastighedsindstilling
Sten, skaller	3
Stål	2
Aluminium, messing	3
Plastik	1-2

Slibeskive (skive medfølger ikke) (fig. I)

Materiale	Hastighedsindstilling
Stål	2-3
Aluminium, messing	2
Plastik	1-2

5. VEDLIGEHOLDELSE



Sørg for, at maskinen ikke er spændingsførende, når der udføres vedligeholdelsesarbejde på motoren.

Hold maskinens ventilationsåbninger rene for at forhindre overophedning af motoren. Rengør maskinhuset regelmæssigt med en blød klud; helst efter hver anvendelse. Hold ventilationsåbningerne fri for støv og snavs. Hvis snavset ikke går af, skal du bruge en blød klud fugtet med sæbevand. Brug aldrig opløsningsmidler såsom benzin, alkohol, ammoniakvand osv. Disse opløsningsmidler kan beskadige plastikdelene. Rengør venligst værktøjet umiddelbart efter brug.

MILJØ



Beskadigede og/eller bortskaffede elektriske eller elektroniske enheder skal afleveres på genbrugsstationer beregnet til dette formål.

Kun for lande i EU

Maskinværktøj må ikke bortskaffes sammen med husholdningsaffald. Ifølge EU-direktiv 2012/19/EU om affald af elektrisk og elektronisk udstyr og dets gennemførelse i den nationale lovgivning skal maskinværktøjer, der ikke længere anvendes, afleveres separat og bortskaffes på en miljøvenlig måde.

GARANTI

VONROC-produkter er udviklet til de højeste kvalitetsstandarder og er garanteret fri for defekter i både materialer og udførelse i den periode, der er retsligt angivet fra datoen for det originale køb. Hvis produktet skulle udvikle fejl i denne periode på grund af defekt materiale og/eller udførelse, bedes du kontakte VONROC direkte. Følgende omstændigheder er udelukket fra denne garanti:

- Uautoriserede servicecentre har foretaget eller gjort forsøg på at foretage reparationer og/eller ændringer på maskinen;
- Normal slitage;
- Værktøjet er blevet misbrugt, brugt forkert eller ikke passende vedligeholdt;
- Der er anvendt ikke-originale reservedele.

Dette udgør den eneste garanti, virksomheden har givet, enten udtrykt eller underforstået. Der er ingen andre garantier, udtrykt eller underforstået, som strækker sig ud over denne, herunder de underforståede garantier for salgbarhed og egnethed til et bestemt formål. Under ingen omstændigheder skal VONROC holdes ansvarlig for tilfældige skader eller følgeskader. Forhandlerens retsmidler skal være begrænset til reparation eller udskiftning af enheder eller dele, der ikke overholder kravene.

Produktet og brugervejledningen er genstand for ændringer. Specifikationer kan ændres uden yderligere varsel.

1. INSTRUKCJE BEZPIECZEŃSTWA

Przeczytać dołączone ostrzeżenia dotyczące bezpieczeństwa, dodatkowe ostrzeżenia dotyczące bezpieczeństwa oraz instrukcję. Nieprzestrzeganie ostrzeżeń dotyczących bezpieczeństwa oraz instrukcji może prowadzić do porażenia prądem, pożaru i/lub poważnych obrażeń ciała. Zachować ostrzeżenia dotyczące bezpieczeństwa oraz instrukcje na przyszłość.

Następujące symbole są umieszczone w instrukcji obsługi lub na produkcie:



W razie nie przestrzegania danej instrukcji obsługi może powstać ryzyko zranienia oraz zginięcia personelu lub uszkodzenia narzędzia.



Ryzyko porażenia prądem.



Ilość obrotów urządzenia można ustawić elektronicznie.



Tylko do użytku w pomieszczeniach.



Nosić okulary ochronne oraz ochraniać uszy.



Noś maskę przeciwpyłową.



Nie wciskać przycisku blokady wrzeciona, gdy silnik pracuje.



Maszyna klasy II - Podwójna izolacja - Nie trzeba stosować wtyczek z uziemieniem.



Maks. Temperatura 40°C.



Nie wrzucać akumulatora do ognia.



Nie wrzucać akumulatora do wody.



Nie wyrzucać produktu do nieodpowiednich pojemników.



Zbiórka selektywna akumulatora litowo-jonowego.



Produkt spełnia wymogi odpowiednich norm bezpieczeństwa podanych w dyrektywach UE.

OGÓLNE ZALECENIA DOTYCZĄCE BEZPIECZEŃSTWA



UWAGA! Przeczytać wszystkie ostrzeżenia dotyczące bezpieczeństwa i wszystkie instrukcje. Nieprzestrzeganie wszystkich poniższych instrukcji może być przyczyną porażenia prądem, pożaru i/lub poważnych obrażeń.

Zachowaj ponizsze instrukcje.

Termin „elektronarzędzia akumulatorowe” we wszystkich ostrzeżeniach zamieszczonych poniżej odnosi się do elektronarzędzi akumulatorowych zasilanych sieciowo (przewodowych) lub elektronarzędzi akumulatorowych działających na baterie (bezprzewodowych).

1) Obszar roboczy

- a) **Obszar roboczy należy utrzymywać w czystości.** Powinien on być dobrze oświetlony. Nietład i złe oświetlenie mogą z łatwością doprowadzić do wypadku.
- b) **Nie korzystaj z elektronarzędzi akumulatorowych w warunkach, w których łatwo może dojść do wybuchu, np. w obecności łatwopalnych cieczy, gazów lub pyłu.** Podczas pracy elektronarzędzi akumulatorowych powstają iskry, które mogą doprowadzić do zapłonu pyłu lub oparów.
- c) **Dzieci i inne osoby postronne powinny pozostać w bezpiecznej odległości od pracującego urządzenia.** Rozproszenie uwagi może spowodować utratę kontroli nad urządzeniem.

2) Bezpieczeństwo związane z elektrycznością

- a) **Wtyczki elektronarzędzi akumulatorowych muszą być odpowiednie do danego gniazda. Pod żadnym pozorem nie należy modyfikować wtyczki w jakikolwiek sposób. Nie należy używać adapterów, które uzimniają elektronarzędzia akumulatorowe.** Stosowanie wtyczek nie poddanych modyfikacjom oraz odpowiednich gniazd zmniejsza ryzyko porażenia prądem.
- b) **Należy unikać bezpośredniego kontaktu fizycznego z powierzchniami uziemionymi, takimi jak rury, grzejniki, kuchenki, lodówki.** Ryzyko porażenia prądem jest większe, jeśli ciało osoby obsługującej urządzenie jest uziemione.
- c) **Nie należy wystawiać elektronarzędzi akumulatorowych na działanie deszczu lub wilgoci.** Dostanie się wody do wnętrza elektronarzędzia akumulatorowego zwiększy ryzyko porażenia prądem.

- d) **Nie należy używać przewodu w niewłaściwy sposób. Pod żadnym pozorem nie należy wykorzystywać przewodu do przenoszenia lub ciągnięcia elektronarzędzia akumulatorowego, ani do jego odłączania od sieci. Przewodu nie należy wystawiać na działanie ciepła, smarów. Powinien on znajdować się w bezpiecznej odległości od ostrych krawędzi i części ruchomych.** Przewody uszkodzone lub poplątane zwiększają ryzyko porażenia prądem.
 - e) **Podczas korzystania z elektronarzędzia akumulatorowego na wolnym powietrzu, należy używać przewodu przedłużacza przystosowanego do użytku na zewnątrz.** Używanie przewodu nadającego się do użytku na wolnym powietrzu zmniejsza ryzyko porażenia prądem.
 - f) **Jeśli obsługa elektronarzędzia w wilgotnym miejscu jest nieunikniona, użyć zasilania wyposażonego w wyłącznik różnicowo-prądowy.** Użycie wyłącznika różnicowo-prądowego zmniejsza ryzyko porażenia prądem.
- #### 3) Bezpieczeństwo osoby obsługującej urządzenie
- a) **Przez cały czas należy mieć się na baczności, uważać na to, co się robi, a w czasie obsługi elektronarzędzia akumulatorowego postępować mając na uwadze zdrowy rozsądek. Urządzenia nie powinny obsługiwać osoby zmęczone lub będące pod wpływem narkotyków, alkoholu lub leków.** Chwila nieuwagi w czasie obsługi elektronarzędzi akumulatorowych może być przyczyną powstania poważnych obrażeń ciała.
 - b) **Należy korzystać ze sprzętu ochronnego oraz zawsze nosić okulary ochronne.** Sprzęt ochronny, jak na przykład maska przeciwpyłowa, antypoślizgowe obuwie ochronne, kask lub słuchawki ochronne używane we właściwych sytuacjach pozwoli na zmniejszenie ryzyka obrażeń ciała.
 - c) **Unikać niezamierzonego uruchomienia. Przed podłączeniem urządzenia do sieci, zawsze sprawdzić, czy przełącznik znajduje się w pozycji „wyłączony”.** Przenoszenie elektronarzędzi z palcem na przełączniku lub włączonych elektronarzędzi z przełącznikiem w położeniu włączenia jest bardzo niebezpieczne i może powodować wypadki.
 - d) **Przed włączeniem elektronarzędzia akumulatorowego należy usunąć z niego wszystkie klucze nastawcze lub maszynowe.** Pozostawienie klucza zamocowanego na jednej z części obrotowych

- wych urządzenia może spowodować powstanie obrażeń ciała.
- e) **Nie należy sięgać ponad urządzeniem. Przez cały czas należy zachować odpowiednią równowagę i zapewnić odpowiednie oparcie dla stóp.** Pozwoli to na lepsze kontrolowanie urządzenia w nieoczekiwanych sytuacjach.
 - f) **Należy nosić odpowiednie ubranie. Do pracy z urządzeniem nie wkładać luźnych ubrań ani biżuterii. Włosy, ubranie i rękawiczki trzymać z dala od części ruchomych.** Luźne części ubrania, biżuteria lub długie włosy mogą zostać wciągnięte przez części ruchome.
 - g) **Jeśli w urządzeniu przewidziano elementy służące do odprowadzania i zbierania pyłu, należy sprawdzić, czy są podłączone, i czy działają we właściwy sposób.** Korzystanie z tego typu elementów pozwala ograniczyć ryzyko związane z wydzielaniem pyłu podczas pracy urządzenia.
 - h) **Nie zezwalać na to, aby rutyna związana z częstym korzystaniem z narzędzi powodowała nadmierną pewność siebie i ignorowanie zasad bezpiecznego korzystania z narzędzi.** Nieodpowiedzialne działanie może spowodować poważne obrażenia ciała w ułamku sekundy.
- 4) Obsługa i konserwacja elektronarzędzi akumulatorowych**
- a) **Urządzenia nie należy przeciążać. Należy korzystać z narzędzia odpowiedniego do danego typu pracy.** Odpowiednio dobrane urządzenie pozwoli na lepsze i bezpieczniejsze wykonanie pracy, we właściwym dla urządzenia tempie.
 - b) **Z elektronarzędzia akumulatorowego nie należy korzystać, jeśli nie można go włączyć i wyłączyć przy pomocy przełącznika.** Urządzenie, którego nie można kontrolować używając przełącznika jest niebezpieczne i powinno być oddane do naprawy.
 - c) **Przed przystąpieniem do regulowania elektronarzędzi akumulatorowych, wymiany akcesoriów lub przygotowywania urządzeń do okresu przechowywania, należy odłączyć wtyczkę od źródła zasilania.** Tego typu środki ostrożności zmniejszają ryzyko przypadkowego uruchomienia urządzenia.
 - d) **Nieczyste elektronarzędzia akumulatorowe należy przechowywać poza zasięgiem dzieci. Nie należy pozwolić, aby osoby nie znające urządzenia lub niniejszych instrukcji obsługi użyły urządzenia.** Elektronarzędzia akumulatorowe w rękach niekompetentnych użytkowników stanowią zagrożenie.
 - e) **Elektronarzędzia akumulatorowe należy utrzymywać w dobrym stanie technicznym. Należy sprawdzać, czy części ruchome są właściwie założone, i czy się nie zacinają. Należy również sprawdzać, czy jakieś części nie są uszkodzone oraz sprawdzać wszelkie inne elementy, które mogą wpłynąć na pracę urządzeń. Jeśli urządzenie jest uszkodzone, przed przystąpieniem do jego użytkowania, należy je naprawić.** Częstą przyczyną wypadków jest zły stan techniczny urządzeń.
 - f) **Narzędzia służące do cięcia powinny być naostrzone i utrzymywane w czystości.** Jeśli narzędzia służące do cięcia, które posiadają ostre krawędzie tnące, są właściwie konserwowane, istnieje mniejsze prawdopodobieństwo ich zacinania się. Ponadto, łatwiej je kontrolować.
 - g) **Elektronarzędzia akumulatorowego, akcesoriów, nakładek, itp. należy używać zgodnie z niniejszymi instrukcjami oraz w sposób właściwy dla danego rodzaju urządzenia, z u wzięciem pod uwagę warunków pracy oraz jej rodzaju.** Używanie urządzenia niezgodnie z przeznaczeniem może prowadzić do powstania sytuacji niebezpiecznych.
 - h) **Uchwyty należy utrzymywać w stanie suchym, czystym i niezabrudzonym olejem lub smarem.** Śliskie uchwyty i powierzchnie do chwytania nie pozwalają na bezpieczne obchodzenie się z narzędziem i panowanie nad nim w nieoczekiwanych sytuacjach.
- 5) Użytkowanie i konserwacja urządzenia zasilanego akumulatorami**
- a) **Ładować tylko przy użyciu ładowarki określonej przez producenta.** Ładowarka przewidziana dla jednego rodzaju akumulatorów stwarza ryzyko pożaru w przypadku użycia jej z innym zestawem akumulatorów.
 - b) **Należy używać jedynie akumulatorów przeznaczonych dla danego urządzenia.** Użycie innych akumulatorów stwarza ryzyko wystąpienia obrażeń ciała lub pożaru.
 - c) **Kiedy akumulatorki nie są używane, należy przechowywać je z dala od przedmiotów metalowych, takich jak spinacze do papieru, monety, klucze, gwoździe, śruby lub inne niewielkie przedmioty metalowe, które mogłyby spowodować zwarcie pomiędzy stykami.** Zwarcie styków akumulatora może spowodować pożar.
 - d) **W przypadku przeciążenia z akumulatora może wycieknąć płyn; nie należy go dotykać. W razie przypadkowego kontaktu przemyć**

- skórę wodą. W przypadku dostania się płynu do oczu należy skontaktować się z lekarzem. Płyn z akumulatora może powodować podrażnienia lub oparzenia.
- e) **Nie używać uszkodzonego ani zmodyfikowanego akumulatora lub narzędzia.** Uszkodzone lub zmodyfikowane akumulatory mogą działać w sposób nieoczekiwany, co może powodować pożar, wybuch lub ryzyko obrażeń ciała.
- f) **Nie wystawiać akumulatora ani narzędzia na działanie płomienia lub zbyt wysokiej temperatury.** Narażenie na działanie płomienia lub temperatury powyżej 130°C może spowodować wybuch. UWAGA Temperaturę „130 °C“ można zastąpić temperaturą „265 °F“.
- g) **Przestrzegać wszystkich instrukcji ładowania i nie ładować akumulatora ani narzędzia poza zakresem temperatury podanym w instrukcji.** Nieprawidłowe ładowanie lub ładowanie w temperaturze poza podanym zakresem może spowodować uszkodzenie akumulatora i zwiększyć ryzyko pożaru.
- 6) **Serwis**
- a) **Zlecać serwisowanie elektronarzędzie wykwalifikowanemu technikowi stosującymi jedynie części zamienne identyczne z oryginalnymi.** Zapewni to zachowanie bezpieczeństwa elektronarzędzia.
- b) **Nigdy nie serwisować uszkodzonych akumulatorów.** Serwisowanie akumulatorów może przeprowadzać wyłącznie producent lub autoryzowany serwis.

SZCZEGÓŁOWE INSTRUKCJE BEZPIECZEŃSTWA

- a) **To elektronarzędzie jest przeznaczone do użytku w roli narzędzia do szlifowania, szlifowania drewna, szlifowania szczotką drucianą, polerowania, wycinania lub odcinania. Przeczytać wszystkie ostrzeżenia dotyczące bezpieczeństwa, ilustracje oraz dane techniczne dołączone do tego elektronarzędzia.** Nieprzestrzeganie wszystkich instrukcji podanych poniżej może prowadzić do porażenia prądem, pożaru i/lub poważnych obrażeń ciała.
- c) **Nie używać akcesoriów, które nie są specjalnie przeznaczone do tego narzędzia i zalecane przez jego producenta.** Fakt, że akcesorium można podłączyć do elektronarzędzia nie oznacza, że jego użytkowanie będzie bezpieczne.
- d) **Znamionowe obroty akcesorium do szlifowania muszą być co najmniej równe maksymalnym obrotom podanym na elektronarzędziu.** Akcesoria do szlifowania pracujące z obrotami przekraczającymi obroty znamionowe mogą pęknąć i rozlecieć się na kawałki.
- e) **Zewnętrzna średnica i grubość akcesorium muszą mieścić się w zakresie dopuszczalnym dla elektronarzędzia.** Akcesoria o nieodpowiednich rozmiarach nie mogą być poprawnie kontrolowane.
- f) **Rozmiar otworu tarczy, bębna do szlifowania i innych akcesoriów musi pasować do wrzeciona lub tulei zaciskowej elektronarzędzia.** Akcesoria nie pasujące do elementów mocujących elektronarzędzia będą pracować niewyważone, nadmiernie drgać i mogą prowadzić do utraty panowania nad elektronarzędziem.
- g) **Tarcze montowane na trzpieniu, bębny do szlifowania, tarcze tnące i inne akcesoria muszą zostać całkowicie włożone w tuleję lub uchwyt.** Jeśli trzpień będzie zamocowany za słabo i/lub tarcza będzie za bardzo wystawać, zamontowana tarcza może się poluzować i zostać wyrzucona z wysoką prędkością.
- h) **Nie używać uszkodzonych akcesoriów. Przed każdym użyciem sprawdzać akcesoria, takie jak tarcze ściernie, pod kątem pęknięć i odłamków, takie jak bębny do szlifowania pod kątem pęknięć, rozerwania lub nadmiernego zużycia, a szczotki druciane pod kątem luźnych lub pękniętych drutów. Jeśli elektronarzędzie lub akcesorium zostanie upuszczone, sprawdzić pod kątem uszkodzeń lub zamocować nieuszkodzone akcesorium. Po sprawdzeniu i zamocowaniu akcesorium ustawić własne ciało oraz osoby postronne z dala od płaszczyzny obrotów akcesorium obrotowego i uruchomić elektronarzędzie z maksymalnymi obrotami bez obciążenia na minutę.** Uszkodzone akcesoria zwykle rozpadają się w czasie takiego testu.
- i) **Nosić środki ochrony osobistej. W zależności od zastosowania stosować tarczę chroniącą twarz lub ochronne okulary. W razie potrzeby nosić maskę przeciwpyłową, ochronniki słuchu, rękawice i roboczy fartuch, zatrzymujący małe elementy cierne lub drobne kawałki obrabianego przedmiotu. Środki ochrony oczu muszą być w stanie zatrzymać wyrzucone w powietrze odłamki powstające podczas różnych prac. Maskę przeciwpyłową lub oddechową musi być**

w stanie filtrować cząstki powstające podczas wykonywanej pracy. Przedłużona ekspozycja na hałas o wysokim natężeniu może powodować utratę słuchu.

- j) **Osoby postronne muszą znajdować się w bezpiecznej odległości od obszaru pracy. Każda osoba wchodząca w obszar pracy musi mieć na sobie środki ochrony osobistej.** Kawałki obrabianego przedmiotu lub pękniętego akcesorium mogą zostać wyrzucone w powietrze i spowodować obrażenia ciała poza bezpośrednim obszarem pracy.
- k) **Trzymać narzędzie tylko za izolowane powierzchnie do chwytania podczas wykonywania prac, podczas których osprzęt tnący może zetknąć się z ukrytym okablowaniem.** Zetknięcie się osprzętu tnącego z przewodem pod napięciem może sprawić, że odsłonięte metalowe części narzędzia również będą pod napięciem i spowodować porażenie operatora prądem.
- l) **Zawsze mocno trzymać narzędzie w ręce (rękach) podczas jego uruchamiania.** Reakcyjny moment obrotowy silnika rozpędzającego się do pełnej prędkości może powodować skręcanie narzędzia.
- m) **Używać zacisków do mocowania obrabianego elementu, kiedy to praktyczne. Nigdy nie trzymać małego obrabianego elementu w jednej ręce i narzędzia w drugiej ręce podczas użytkowania. Zaciśnięcie małego obrabianego elementu pozwala na używanie ręki (rąk) do panowania nad narzędziem.** Okrągłe materiały, jak kołki ustalające lub rury, zwykle staczają się podczas przecinania i mogą powodować utknięcie końcówki lub jej odskoczenie w kierunku użytkownika.
- n) **Umieszczają przewód zasilania z dala od obracających się akcesoriów.** W razie utraty panowania nad narzędziem przewód może zostać przecięty lub pochwycony, a dłoń lub ręka użytkownika może zostać wciągnięta w obracające się akcesorium.
- o) **Nigdy nie odkładać elektronarzędzia, dopóki akcesorium całkowicie się nie zatrzyma.** Obracające się akcesorium może zaczepić o powierzchnię i wyrwać elektronarzędzie z rąk użytkownika.
- p) **Po wymianie końcówki lub przeprowadzeniu regulacji dopilnować, aby nakrętka tulei, uchwyt lub inne urządzenia regulacyjne były mocno dokręcone/ dociśnięte.** Luźne urzą-

dzenia regulacyjne mogą się nagle przesunąć, powodując utratę panowania nad narzędziem i nagłe wyrzucenie luźnych obracających się komponentów.

- q) **Nie włączać elektronarzędzia podczas przenoszenia go u boku.** Przypadkowy kontakt z obracającym się akcesorium może spowodować zaczepienie ubrania, wciągając akcesorium w ciało użytkownika.
- r) **Regularnie czyścić otwory wentylacyjne elektronarzędzia.** Wentylator silnika wciąga pył do wnętrza obudowy, a nadmierne nagromadzenie się opiłków metalu może powodować zagrożenia elektryczne.
- s) **Nie używać elektronarzędzia w pobliżu materiałów łatwopalnych.** Iskry mogą spowodować ich zapłon.
- t) **Nie używać akcesoriów wymagających płynnych chłodziw.** Użycie wody lub innego płynnego chłodziwa może spowodować porażenie prądem.

Ostrzeżenia dotyczące odrzutu itp

Odrzut to nagła reakcja na zablokowanie lub zaczepienie się obracającej się tarczy, paska do szlifowania, szczotki lub innego akcesorium. Ściśnięcie lub zaczepienie powoduje nagłe utknięcie obracającego się akcesorium, co z kolei prowadzi do utraty panowania nad elektronarzędziem i odrzucenia go w kierunku przeciwnym do kierunku obrotów akcesorium. Na przykład, jeśli tarcza ścierna zostanie zaczepiona lub ściśnięta przez obrabiany przedmiot, krawędź tarczy wchodząca w miejsce ściśnięcia może zagłębić się w powierzchnię materiału, powodując wyskoczenie lub wyrzucenie tarczy. Tarcza może wyskoczyć w kierunku operatora lub od operatora, w zależności od kierunku ruchu tarczy w momencie ściśnięcia. Tarcze ścierne mogą także pękać w takich okolicznościach. Odrzut jest rezultatem błędnego użytkowania elektronarzędzia i/lub stosowania błędnych metod bądź warunków pracy i można go uniknąć, stosując środki ostrożności opisane poniżej.

- a) **Utrzymywać silny chwyt elektronarzędzia i ustawiać ciało oraz ramię tak, aby móc stawić opór sile odrzutu.** Operator może kontrolować siły odrzutu, przestrzegając odpowiednich środków ostrożności.
- b) **Zachować szczególną ostrożność podczas pracy z rogami, ostrymi krawędziami itp. Unikać odbijania i zaczepiania akcesorium.** Rogi, ostre krawędzie lub odbicia często powodują utyka-

nie obrotowego akcesorium i utratę panowania nad narzędziem albo odrzut.

- c) **Nie mocować zębatych tarcz.** Takie tarcze powodują częsty odrzut i utratę panowania.
- d) **Zawsze wprowadzać końcówkę w materiał w kierunku zgodnym z kierunkiem opuszczania materiału przez krawędź skrawającą (kierunek wyrzucania wiórów/ opiłków).** Wprowadzanie narzędzia w błędnym kierunku spowoduje, że krawędź skrawająca będzie się podnosić i wyskakiwać z obrabianego elementu, pociągając narzędzie w kierunku posuwu.
- e) **Podczas korzystania z obrotowych pilników, tarcz odcinających, ostrzy ze stali szybko tnących lub z węgla wolframu, zawsze solidnie mocować obrabiany element zaciskami.** Takie tarcze utykają i odskakują, jeśli zostaną delikatnie przechylone w rowki. Kiedy dojdzie do utknięcia tarczy odcinającej, sama tarcza zwykle pęka. Kiedy dojdzie do utknięcia obrotowego pilnika, tarczy odcinającej, ostrza ze stali szybko tnącej lub z węgla wolframu, takie narzędzie może wyskoczyć z rowka i spowodować utratę panowania nad narzędziem.

DODATKOWE INSTRUKCJE BEZPIECZEŃSTWA DOTYCZĄCE SZLIFOWANIA I ODCINANIA

Szczególne ostrzeżenia dotyczące bezpieczeństwa dla szlifowania i odcinania szlifierką:

- a) **Używać tylko rodzajów tarcz przeznaczonych dla elektronarzędzia i przeznaczonych do wybranego zastosowania. Na przykład: nie szlifować bokiem tarczy do odcinania.** Tarcze do odcinania ściernego są przeznaczone do szlifowania obwodowego, a siła działająca na te tarcze z boku może powodować ich rozpad.
- b) **W przypadku gwintowanych ściernych końcówek stożkowych i cylindrycznych stosować wyłącznie nieuszkodzone trzpienie tarczy z kołnierzami bez podcięcia o prawidłowym rozmiarze i prawidłowej długości.** Prawidłowe trzpienie ograniczają ryzyko pęknięcia.
- c) **Nie blokować tarczy odcinającej ani nie stosować nadmiernego nacisku. Nie podejmować prób wykonywania cięcia o nadmiernej głębokości.** Przeciążenie tarczy zwiększa obciążenie i ryzyko skręcenia lub utknięcia tarczy w miejscu cięcia oraz ryzyko odrzutu lub pęknięcia tarczy.
- d) **Nie ustawiać ręki w jednej linii i za obrotową tarczą.** Kiedy tarcza w miejscu pracy porusza się w kierunku od ręki operatora, możliwy

odrzut może pchnąć obracającą się tarczę i elektronarzędzie bezpośrednio w operatora.

- e) **Kiedy tarcza utyka, jest ściskana lub w razie przerwania cięcia z jakiegokolwiek powodu, wyłączyć elektronarzędzie i trzymać je nieruchomo, aż do całkowitego zatrzymania tarczy. Nigdy nie próbować wyjmować tarczy do odcinania z miejsca cięcia, gdy tarcza się porusza, bo w przeciwnym razie może dojść do odrzutu.** Sprawdzić i usunąć przyczynę utyknięcia lub ściskania tarczy.
- f) **Nie wznawiać cięcia, gdy tarcza jest w obrabianym przedmiocie. Pozwolić tarczy na osiągnięcie pełnych obrotów i ostrożnie ponownie wprowadzić ją w miejsce cięcia.** Tarcza może utykać, unosić się z miejsca cięcia albo powodować odrzut, jeśli elektronarzędzie zostanie uruchomione ponownie z tarczą w miejscu cięcia.
- g) **Podpierać panele lub zbyt duże obrabiane przedmioty, aby ograniczyć ryzyko utyknięcia tarczy i odrzutu.** Duże obrabiane przedmioty często opadają pod własnym ciężarem. Umieścić podpory pod obrabianym przedmiotem w pobliżu linii cięcia i w pobliżu krawędzi obrabianego przedmiotu po obu stronach tarczy.
- h) **Zachować szczególną ostrożność podczas wykonywania cięcia „kieszeniowego” (wcinania się) w istniejących ścianach lub innych zasłoniętych miejscach.** Wystająca tarcza może przeciąć rury z gazem lub wodą, przewody elektryczne lub objekty mogące powodować odrzut.

DODATKOWE INFORMACJE DOTYCZĄCE BEZPIECZEŃSTWA SZCZOTKOWANIA SZCZOTKĄ DRUCIANĄ

Informacje dotyczące bezpieczeństwa szczotkowania szczotką drucianą:

- a) **Pamiętać, że kawałki drutu szczotki są z niej wyrzucane nawet podczas normalnej pracy. Nie przeciążać drutów, nadmiernie dociskając szczotkę.** Druty ze szczotki mogą z łatwością przebić lekką odzież i/lub skórę.
- b) **Przed użyciem szczotki drucianej pozwolić, aby pracowała z prędkością obrotową przez co najmniej minutę.** W tym czasie nikt nie może stać w jednej linii ze szczotką ani przed nią. Luźne druty zostaną wyrzucone podczas tego czasu.
- c) **Kierować strumień usuwanego materiału z wirującej szczotki drucianej z dala od siebie.** Małe cząsteczki i drobne fragmenty drutu mogą być wyrzucane z wysoką prędkością podczas korzystania z takich szczotek i wbić się w skórę.

DOTYCZY ŁADOWARKI

Przeznaczenie

Ładować wyłącznie akumulatora, a nie baterie jednorazowego użytku. Baterie mogą pękać, powodując obrażenia ciała i uszkodzenia mienia.

- Urządzenie nie jest przeznaczone do użytku przez osoby (w tym dzieci) o ograniczonych zdolnościach fizycznych, czuciowych lub umysłowych albo nie posiadające doświadczenia i wiedzy, chyba że zostały one odpowiednio poinstruowane i są pod nadzorem.**
- Dzieciom nie wolno pozwalać bawić się urządzeniem**
- Nie ładować zwykłych baterii!**
- Podczas ładowania akumulatory muszą znajdować się w dobrze wentylowanym miejscu!**
- Wbudowane akumulatory wolno wyjmować tylko i wyłącznie przez wykwalifikowany personel w celu ich utylizacji.** Otwieranie skorupy obudowy może spowodować trwałe uszkodzenie elektronarzędzia. Aby wyjąć akumulator z elektronarzędzia, należy wielokrotnie uruchamiać włącznik/wyłącznik (5), aby spowodować całkowite wyładowanie się akumulatora. Wykręcić śruby z obudowy i zdjąć skorupę obudowy, aby wyjąć akumulator. Aby uniknąć zwarcia wewnętrznego akumulatora, jego przyłącza należy oddzielnie odłączać, izolując po kolei wszystkie bieguny. Także w przypadku całkowitego wyładowania, w akumulatorze znajduje się tzw. 'pozostała pojemność', która może doprowadzić do zwarcia.

Bezpieczeństwo związane z elektryczną ością

Pod czas wykorzystania urządzenia elektrycznego należy zawsze przestrzegać odpowiednie przepisy bezpieczeństwa, które są ważne w Waszym kraju w celu zmniejszenia ryzyka pożaru, porażenia prądem elektrycznym oraz zranienia personelu.



Sprawdzić, czy napięcie sieciowe jest zgodne z parametrami na tabliczce znamionowej.



II klasy – Izolacja podwójna – Wasze gniazdo nie potrzebuje uziemienia.

2. INFORMACJE O MASZYNIE

Przeznaczenie

To elektronarzędzie jest przeznaczone do użytku w roli narzędzia do szlifowania, szlifowania drewna, szlifowania szczotką drucianą, polerowania, wycinania lub odcinania. To wielofunkcyjne narzędzie doskonale nadaje się do obróbki materiałów, takich jak drewno, tworzywa sztuczne, kamień, aluminium, mosiądz i stal. Zawsze używać odpowiednich akcesoriów i ustawić prędkości.

DANE TECHNICZNE

Model No.	CT503DC
Akumulator	4V litowo-jonowy 600mAh
Czas ładowania akumulatora	2 godziny
Maksymalna średnica tarczy	Ø35 mm
Maksymalna średnica wiertła	Ø2,3 mm
Liczba obrotów, bez obciążenia	5000/10000/15000/min
Gniazdo na akcesoria	2,3 mm
Masa	0,1 kg
Lpa hałas (ciśnienie)	79+3 dB(A)
Lwa hałas (nateżenie)	90+3 dB(A)
Wibracje	1.177+1,5 m/s ²

Poziom wibracji

Poziom emisji wibracji podany na końcu tej instrukcji został zmierzony zgodnie z testem standaryzowanym podanym w EN60745; może służyć do porównania jednego narzędzia z innym i jako ocena wstępna narażenia na wibracje w trakcie używania narzędzia do wymienionych zadań.

- używanie narzędzia do innych zadań, lub z innymi albo źle utrzymanymi akcesoriami, może znacząco zwiększyć poziom narażenia.
- przypadki, kiedy narzędzie jest wyłączone lub jest czynne, ale aktualnie nie wykonuje zadania, mogą znacząco zmniejszyć poziom narażenia.

Należy chronić się przed skutkami wibracji przez konserwację narzędzia i jego akcesoriów, zakładanie rękawic i właściwą organizację pracy.

OPIS

Liczby w tekście odnoszą się do rysunków na stronach 2-4.

1. Tuleja zaciskowa
2. Blokada wrzeciona
3. Włącznik i przycisk regulacji prędkości
4. Kontrolki szybkości
5. Kontrolka ładowania
6. Kabel ładowania

3. MONTAŻ



Przed zamontowaniem akcesorium zawsze dopilnować, aby narzędzie było wyłączone.



Ostrzeżenie! Podczas wymiany akcesoriów akcesoria proszę wkładać do tulei zaciskowej możliwie jak najgłębiej, w celu maksymalnego ograniczenia niebezpieczeństwa uwolnienia akcesoriów i uniknięcia nie równomiernego zrównoważenia.

Montowanie akcesoriów (Fig. B)

Przycisnąć i przytrzymać przycisk blokady wrzeciona (2). Wykręcić uchwyt z tuleją zaciskową (1) ręką. Włożyć akcesorium na miejsce. Trzymać wciśnięty przycisk blokady wrzeciona (2), dokręcając uchwyt z tuleją zaciskową (1).



Nie wciskać przycisku blokady wrzeciona, gdy silnik pracuje.

4. OBSŁUGA

Włączyć narzędzie, wciskając włącznik (3). Ponowne wciśnięcie włącznika (3) spowoduje przestawienie narzędzia na 2. bieg, a naciśnięcie włącznika po raz trzeci spowoduje przestawienie narzędzia na 3. bieg. Wciśnięcie włącznika (3) po raz czwarty spowoduje wyłączenie narzędzia. Nie odkładać narzędzia, gdy jego silnik nadal pracuje. Nie kłaść narzędzia na powierzchni zapyłonej. Częsteczki kurzu lub pyłu mogą przedostać się do mechanizmów wewnętrznych.



Przy małych prędkościach zbytne obciążenie. Narzędzie wielofunkcyjne może doprowadzić do przepalenia silnika.

Akumulator należy naładować przed pierwszym użyciem.

Ładowanie akumulatora (ładowarka)

- Podłączyć kabel ładowania (6) (dołączony) do zasilacza (nie dołączyć).

- Podłączyć kabel ładowania (6) do narzędzia. (rys. J)
- Podłączyć ładowarkę do gniazdka i poczekać chwilę. Kontrolka ładowania (5) zaświeci się, informując o stanie ładowania.

Dioda LED	Stan ładowarki
Czerwona	Ładowanie akumulatora w toku
Zielona	Ładowanie akumulatora zakończone akumulator całkowicie naładowany

- Po całkowitym naładowaniu akumulatora wyjąć wtyczkę ładowarki z gniazdka i wyjąć małą wtyczkę z urządzenia.

Trzymanie i prowadzenie narzędzia (Fig. C)

- Do prac precyzyjnych (grawerowanie): uchwyt długopisowy (C1)
- Do prac zgrubnych (szlifowanie): uchwyt nożowy (C2)
- Kiedy konieczne jest utrzymywanie narzędzia równoległe do obrabianej powierzchni (np. używanie tarczy odcinającej): Oburęczny chwyt golfowy (C3)

Optymalne korzystanie z narzędzia wielofunkcyjnego i akcesoriów (Fig. A)

Aby zapewnić optymalne wykorzystanie akcesoriów, używać prawidłowej prędkości obrotowej. Patrz opis „Zalecane ustawienie prędkości” poniżej, aby określić prawidłową prędkość w zależności od obrabianego materiału i rodzaju używanego akcesorium. Ten przegląd pozwala na wybór właściwego akcesorium i optymalnej prędkości.

3 kontrolki prędkości (4) odpowiada liczbom 1, 2, i 3 w opisie „Zalecane ustawienie prędkości”. Ostatecznie najlepszym sposobem stwierdzenia optymalnej prędkości obrotowej do pracy z każdym materiałem jest poćwiczenie na jego niepotrzebnym kawałku.

ZALECANE USTAWIENIE PRĘDKOŚCI

Kamienie szlifierskie (Fig. D)

Material	Prędkość
Kamień, muzła	1-2
Stal	2-3
Aluminium, miedź	2
Plastik	1-2

Tracze filcowe i końcówki (Fig. E)

Tarcze filcowe i końcówki należy wkręcać w trzpień.

Material	Prędkość
Stal	2-3
Aluminium, miedź	2
Plastik	2-3

Szlifowanie zespoły i płyty (Fig. F)

Material	Prędkość
Drewno	3
Stal	1-2
Aluminium, miedź	2
Plastik	1-2

Szczotka szczecinowa (Fig. G)

Material	Prędkość
Kamień, muzła	2
Aluminium, miedź	2

Frez, końcówka do grawerowania i wiertło (Fig. H)

Material	Prędkość
Kamień, muzła	3
Stal	2
Aluminium, miedź	3
Plastik	1-2

Tarcza ścierna (tarcza nie dołączona) (rys. I)

Material	Prędkość
Stal	2-3
Aluminium, miedź	2
Plastik	1-2

5. KONSERWACJA

Przed konserwacją silnika, upewnij się, czy przyrząd nie jest włączony i czy jest odłączony z sieci.

Otwory wentylacyjne urządzenia należy czyścić w celu uniknięcia przegrzania się silnika. Ostonę urządzenia należy czyścić regularnie miękką szmatką (najlepiej po każdym użyciu). Otwory wentylacyjne trzymaj z dala od pyłu i brudu. Jeśli nie można

usunąć brudu, wtedy należy zastosować miękką szmatką namoczoną w wodzie z mydłem. Nigdy nie używać rozpuszczalników takich jak benzyna alkoholowa, woda amoniakalna, itp. Tego rodzaju rozpuszczalniki mogą zniszczyć plastikowe części.

ŚRODOWISKO

Uszkodzone oraz /lub wybrakowane urządzenie elektryczne lub elektroniczne musi być utylizowane w odpowiedni sposób.

Tylko dla krajów Komisji Europejskiej

Nie wolno wyrzucać elektronarzędzi do domowych śmietników. Zgodnie z Dyrektywą Europejską nr 2012/19/EU dotyczącą Utylizacji Wyposażenia Elektrycznego i Elektronicznego i jej wdrożeniem w krajowe prawo, nieużywane elektronarzędzia należy gromadzić oddzielnie i utylizować w sposób przyjazny dla środowiska.

GWARANCJA

Produkty VONROC są wytwarzane zgodnie z najwyższymi standardami jakości i producent udziela gwarancji na wady materiałowe i wady wykonania na okres wymagany prawem, licząc od dnia zakupu. Jeśli wystąpi usterka produktu w tym okresie spowodowana wadą materiałową i/lub wadą wykonania, proszę bezpośrednio skontaktować się ze sprzedawcą VONROC.

Następujące okoliczności powodują unieważnienie gwarancji:

- Przeprowadzono naprawy lub modyfikacje narzędzia w serwisie innym lub autoryzowany lub podjęto ich próbę;
- Normalne zużycie nie jest objęte gwarancją;
- Narzędzie było używane niezgodnie z przeznaczeniem, źle z nim się obchodzono lub było nieprawidłowo konserwowane;
- Użyto części zamiennych innych niż oryginalne.

Niniejsza gwarancja to wyłączna gwarancja producenta i nie obowiązują żadne inne wyrażone ani dorozumiane gwarancje. Nie obowiązują żadne inne wyrażone ani dorozumiane gwarancje o zakresie przekraczającym niniejszą gwarancję, co obejmuje dorozumiane gwarancje przydatności do sprzedaży i przydatności do określonego celu. W żadnym przypadku firma VONROC nie ponosi odpowiedzialności

za straty przypadkowe lub wynikowe. Zadośćuczynienie sprzedawcy jest ograniczone do naprawy lub wymiany niezgodnych urządzeń lub części.

Produkt i podręcznik użytkownika może ulec zmianom. Dane techniczne mogą ulec zmianie bez obowiązku powiadamiania użytkownika.

1. INSTRUCȚIUNI DE SIGURANȚĂ

Citiți avertizările de siguranță, avertizările de siguranță suplimentare și instrucțiunile. Nerespectarea avertizărilor de siguranță poate cauza producerea de electrocutări, incendii și/sau răni grave. Păstrați avertizările de siguranță și instrucțiunile pentru referințe viitoare.

În manualul de utilizare sau pe produs se utilizează următoarele simboluri:



Indică riscul de rănire personală, pierderea vieții sau deteriorarea sculei în cazul în care nu se respectă instrucțiunile din acest manual.



Pericol de electrocutare



Control al vitezei variabile



Destinat numai utilizării în interior



Purtați protecție pentru urechi și ochi



Purtați o mască antipraf



Nu apăsați butonul de blocare a axului în timp ce motorul este în funcțiune.



Mașină clasa II - Izolație dublă - Nu aveți nevoie de nicio priză împământată.



Temperatură culoare lampă 40°C



Nu aruncați bateria în foc



Nu aruncați bateria în apă



Nu eliminați produsul în containere neadecvate.



Colectare separată pentru bateria Li-ion.



Produsul este în conformitate cu standardele de siguranță aplicabile din directivele europene.

AVERTISMENTE GENERALE DE SIGURANȚĂ PRIVIND UNELELE ELECTRICE



AVERTISMENT! Citiți toate avertismentele de siguranță și toate instrucțiunile.

Nerespectarea avertismentelor și instrucțiunilor poate cauza producerea de electrocutări, incendii și/sau răniri grave.

Păstrați toate avertismentele și instrucțiunile pentru consultare ulterioară.

Termenul „unealtă electrică” din avertismente se referă la scula electrică (cu fir) sau la unealta electrică cu baterie (fără fir).

1) Siguranța zonei de lucru

- Păstrați zona de lucru curată și bine iluminată.** Zonele dezordonate sau întunecate duc la accidente.
- Nu operați uneltele electrice în atmosfere explozive, cum ar fi în prezența lichidelor, gazelor sau pulberilor explozive.** Uneltele electrice generează scântei care pot aprinde pulberea sau fumul inflamabile.
- Țineți la distanță copiii și persoanele din jur în timp ce operați o unealtă electrică.** Distragerile vă pot cauza pierderea controlului.

2) Siguranța electrică

- Ștecherile uneltelor electrice trebuie să se potrivească cu priza. Nu modificați niciodată în nici un fel mufele. Nu folosiți adaptoare de priză cu scule electrice legate de pământ (împământate).** Mufele nemodificate și prizele adecvate reduc riscul șocului electric.
- Evitați contactul corpului cu suprafețele împământate precum țevi, radiatoare, cuptoare și frigidere.** Există un risc mai mare de electrocutare dacă vă este corpul împământat.
- Nu expuneți uneltele electrice la ploaie sau condiții de umezeală.** Apa care pătrunde într-o unealtă electrică va spori riscul de electrocutare.
- Nu manipulați necorespunzător cablul. Nu folosiți niciodată cordonul pentru a purta, a trage sau a deconecta unealta. Feriți cordonul de căldură, ulei, margini ascuțite sau piese mobile.** Cordoane distruse sau încurcate cresc riscul de electrocutare.
- Atunci când operați o unealtă de lucru în aer liber, utilizați un prelungitor pentru exterior.** Folosirea unui cordon adecvat pentru uzul în aer liber scade riscul de electrocutare.

- În cazul în care operarea unei unelte electrice într-un spațiu cu umiditate nu poate fi evitată, utilizați o alimentare cu protecție pentru dispozitivele de curent rezidual (RCD).** Utilizarea unui RCD reduce riscul de electrocutare.

3) Siguranța personală

- Fiți precauți, fiți atenți la ceea ce faceți și respectați regulile de bun simț atunci când operați o unealtă electrică. Nu folosiți unealta electrică atunci când sunteți obosit sau sub influența drogurilor, alcoolului sau unui tratament medicamentos.** Un moment de neatenție în timpul operării uneltelor electrice poate cauza vătămări corporale grave.
- Utilizați echipamentul de protecție corporală. Purtați întotdeauna protecție pentru ochi.** Echipamentul de protecție precum masca de praf, pantofii de protecție antiderapanți, casca de protecție sau protecția auzului utilizate în condiții adecvate vor reduce rănille personale.
- Preîntâmpinați pornirea accidentală. Asigurați-vă că comutatorul este în poziția oprit înainte de a vă conecta la sursa de alimentare și / sau la baterie, de a ridica sau purta instrumentul.** Purtarea de unelte electrice ținând degetul pe comutator sau alimentarea uneltelor electrice care au comutatorul pornit duc la accidente.
- Îndepărtați orice cheie sau clește de reglare înainte de a porni unealta electrică.** Un clește sau o cheie lăsată atașată unei piese rotative a uneltei electrice poate cauza vătămări corporale.
- Nu vă întindeți pentru a utiliza unealta de lucru. Mențineți-vă întotdeauna stabilitatea și echilibrul.** Acest lucru permite un control mai bun al uneltei electrice în situații neașteptate.
- Îmbrăcați-vă corespunzător. Nu purtați haine largi sau bijuterii. Țineți-vă părul, îmbrăcămintea și mânușile departe de piesele mobile.** Hainele largi, bijuteriile sau părul lung pot fi prinse în părțile mobile.
- În cazul în care dispozitivele prezintă posibilitatea conectării de accesorii pentru aspirația și colectarea prafului, asigurați-vă că aceste accesorii sunt conectate și utilizate în mod corespunzător.** Utilizarea colectării prafului poate reduce pericolele legate de praf.
- Nu lăsați ca obișnuința obținută prin utilizarea frecventă a uneltelor să vă permită să deveniți impasibil și să ignorați principiile de siguranță**

în utilizarea uneltelor. O acțiune neglijentă poate provoca accidente grave într-o fracțiune de secundă.

4) Utilizarea și îngrijirea uneltelor electrice

- a) **Nu forțați unealta electrică. Utilizați unealta electrică adecvată aplicației dvs.** Unealta electrică corectă va face munca mai bine și mai sigur la rata pentru care a fost proiectată.
 - b) **Nu utilizați unealta electrică în cazul în care întrerupătorul nu comută în poziția pornit și oprit.** Orice unealtă electrică care nu poate fi controlată cu comutatorul este periculoasă și trebuie reparată.
 - c) **Deconectați ștecherul de la sursa de alimentare și/sau acumulatorul de la unealta electrică înaintea efectuării oricăror reglaje, modificării accesoriilor sau depozitării uneltelor electrice.** Aceste măsuri preventive de precauție reduc riscul de pornire accidentală.
 - d) **Nu depozitați uneltele electrice în stare inactivă la îndemâna copiilor și nu permiteți persoanelor nefamiliarizate cu unealta de lucru sau cu aceste instrucțiuni să o utilizeze.** Uneltele electrice sunt periculoase în mâinile utilizatorilor neinstruiți.
 - e) **Efectuați întreținerea uneltelor electrice. Verificați alinierea sau configurarea greșită a pieselor mobile, ruperea pieselor și orice alte condiții care ar putea afecta funcționarea uneltei electrice.** În cazul deteriorării, reparați unealta electrică înainte de uz. Multe accidente sunt cauzate de unelte electrice slab întreținute.
 - f) **Păstrați uneltele de tăiat ascuțite și curate.** Uneltele de tăiat corect întreținute cu muchii ascuțite au mai puține șanse să se lege și sunt mai ușor de controlat.
 - g) **Utilizați unealta electrică, accesoriile și cuțitele uneltei etc. conform acestor instrucțiuni, ținând cont de condițiile de lucru și de lucrarea ce trebuie să fie efectuată.** Folosirea uneltei electrice pentru operații diferite decât acelea destinate pot cauza o situație periculoasă.
 - h) **Țineți mânerul și suprafețele de prindere uscate, curate și lipsite de ulei și unsoare.** Mânere și suprafețele de prindere alunecoase nu permit manipularea și controlul uneltei în de siguranță în situații neașteptate.
- 5) **Utilizarea și îngrijirea bateriei uneltei**
- a) **Reîncărcați folosind exclusiv încărcătorul specificat de către producător.** Dacă un încărcător

conceput pentru un anumit tip de acumulatori este folosit cu alt acumulator, acest lucru poate genera risc de incendiu.

- b) **Utilizați uneltele electrice exclusiv împreună cu acumulatorii specificați.** Utilizarea altor acumulatori poate cauza risc de rănire și incendiu.
 - c) **Atunci când nu folosiți acumulatorul, păstrați-l ferit de alte obiecte metalice, precum agrafe de birou, monede, chei, cuie, șuruburi sau alte obiecte metalice mici care pot realiza conexiunea între cele două borne.** Scurtcircuitarea bornelor bateriei poate cauza arsuri sau incendiu.
 - d) **În condiții de utilizare incorectă, este posibil să fie evacuat lichid din baterie; evitați contactul cu acesta. În cazul în care se produce accidental contactul, clătiți cu apă. Dacă lichidul intră în contact cu ochii, solicitați ajutor medical suplimentar.** Lichidul scurs din acumulator poate cauza iritații sau arsuri.
 - e) **Nu folosiți un acumulator sau o unealtă care este deteriorată sau modificată.** Acumulatorii deteriorați sau modificați pot avea un comportament imprevizibil care rezultă în foc, explozie sau risc de rănire.
 - f) **Nu expuneți acumulatorul sau unealta la foc sau temperatură excesivă.** Expunerea la foc sau temperaturi de peste 130 °C poate provoca explozie. **OBSERVAȚIE** Temperatura „130 °C” poate fi înlocuită cu temperatura „265 °F”.
 - g) **Respectați toate instrucțiunile de încărcare și nu încărcați acumulatorul sau unealta în afara intervalului de temperatură specificat în instrucțiuni.** Încărcarea necorespunzătoare sau la temperaturi în afara domeniului specificat poate deteriora acumulatorul și poate crește riscul de incendiu.
- 6) **Service**
- a) **Prevedeți repararea uneltei de lucru de către o persoană calificată, folosind exclusiv piese de schimb identice.** Acest lucru va garanta păstrarea în siguranță a uneltei electrice.
 - b) **Niciodată nu servișați acumulatorii deteriorați.** Servisarea acumulatorilor ar trebui să fie efectuată numai de către producător sau furnizorii autorizați de service.

INSTRUCȚIUNI SPECIFICE DE SIGURANȚĂ

- a) **Această unealtă electrică este proiectată pentru a fi folosită ca polizor, mașină de șlefuit, perie de sârmă, unealtă de sculptură sau unealtă de tăiere. Citiți toate avertizările de siguranță,**

- instrucțiunile, ilustrațiile și specificațiile furnizate împreună cu această sculă electrică.** Nerespectarea tuturor instrucțiunilor enumerate mai jos poate cauza producerea de electrocutări, incendii și/sau răniri grave.
- c) **Nu utilizați accesorii care nu sunt special concepuți și recomandați de către producătorul uneltei.** Doar pentru că un accesoriu poate fi atașat de scula electrică, acest lucru nu asigură funcționarea în siguranță.
- d) **Turația nominală a accesoriilor de polizare trebuie să fie cel puțin egală cu viteza maximă marcată pe scula electrică.** Accesoriile de polizare care funcționează mai rapid decât viteza lor nominală se pot rupe sau se pot desprinde.
- e) **Diametrul exterior și grosimea accesoriului trebuie să se încadreze în capacitățile specifice uneltei dvs. electrice.** Accesoriile dimensionate incorect nu pot fi controlate în mod adecvat.
- f) **Dimensiunea axului discurilor, tamburilor de șlefuire sau a oricăror alte accesorii trebuie să se potrivească perfect cu axul uneltei electrice.** Accesoriile care nu se potrivesc cu echipamentul de montare al sculei electrice se vor dezechilibra, vor vibra excesiv și pot duce la pierderea controlului uneltei electrice.
- g) **Discurile montate pe mandrină, cilindrii de șlefuit, frezele sau alte accesorii trebuie să fie introduse complet în bucșa elastică sau în mandrină.** Dacă mandrina nu este fixată bine și/sau tija discului este prea lungă, discul montat se poate slăbi și poate fi aruncat din unealtă la viteze mari.
- h) **Nu utilizați un accesoriu deteriorat. Înainte de fiecare utilizare controlați dacă accesoriile precum discurile abrazive nu sunt sparte și fisurate, dacă tamburul de șlefuire nu este fisurat, uzată sau foarte tocită, dacă periile de sârmă nu prezintă fire desprinse sau rupte. Dacă unealta electrică sau accesoriul cade pe jos, verificați dacă nu s-a deteriorat sau folosiți un accesoriu nedeteriorat. După ce ați controlat și montat dispozitivul de lucru, țineți persoanele aflate în preajmă în afara planului de rotație al accesoriului și lăsați scula electrică să funcționeze un minut la turația maximă la mers în gol.** De cele mai multe ori, accesoriile deteriorate se rup în această perioadă de probă.
- i) **Purtați echipament de protecție corporală. În funcție de utilizare, purtați o protecție completă a feței, protecție pentru ochi sau ochelari de protecție. Dacă este cazul, purtați o mască antipraf, protecții antifonice, mănuși și șort de protecție care să vă ferească de micile așchii sau particule de material.** Ochii trebuie protejați de corpurile străine aflate în zbor, apărute în cursul diferitelor aplicații. Masca antipraf sau masca de protecție respiratorie trebuie să poată filtra particulele generate de operația pe care o efectuați. Expunerea prelungită la zgomotul de intensitate ridicată poate cauza pierderea auzului.
- j) **Țineți persoanele din jur la o distanță sigură față de zona de lucru. Oricine pătrunde în sectorul de lucru trebuie să poarte echipament personal de protecție.** Fragmente din piesa de prelucrare sau din dispozitivele rupte pot zbura necontrolat și provoca răniri chiar în afara sectorului direct de lucru.
- k) **Țineți uneltele electrice numai de suprafețele izolate pentru prindere atunci când efectuați o operație în care accesoriul de debitare poate atinge cabluri ascunse.** Tăierea unui cablu sub tensiune de către accesoriul de debitat ar putea determina scurgerea curentului în componentele metalice expuse ale uneltei electrice și ar putea electrocuta operatorul.
- l) **Țineți întotdeauna unealta bine în mână/mâini în timpul pornirii.** Reacția de cuplu a motorului, pe măsură ce accelerează la viteză maximă, poate provoca răsucirea uneltei.
- m) **Utilizați clești pentru a susține piesa de prelucrat ori de câte ori se poate. Nu țineți niciodată într-o mână o piesă de prelucrat de dimensiuni mici și cu cealaltă mână unealta în timp ce aceasta este în funcțiune.** Fixarea unei piese de prelucrat de dimensiuni mici vă permite să vă utilizați mâna/mâinile pentru a controla unealta. Materialul rotund, cum ar fi cuiele din lemn, conductele sau tuburile au tendința de a se rostogoli în timpul tăierii și pot face ca burghiul să se îndoie sau să sară spre dvs.
- n) **Poziționați cablul la distanță față de accesoriul care se rotește.** Dacă pierdeți controlul asupra mașinii, cablul de alimentare poate fi tăiat sau prins iar mâna sau brațul dumneavoastră poate nimeri sub accesoriul care se rotește.
- o) **Nu lăsați niciodată unealta de lucru jos până când accesoriul nu se oprește complet.** Accesoriul rotativ poate ajunge în contact cu suprafața de sprijin, fapt care vă poate face să pierdeți controlul asupra sculei electrice.

- p) **După înlocuirea accesoriilor sau efectuarea oricărui reglaj, asigurați-vă că piulița bușei elastice, mandrina sau orice alte dispozitive de reglare sunt strânse bine.** Dispozitivele de reglare slăbite se pot roti pe neașteptate, cauzând pierderea controlului, componentele rotative slăbite fiind aruncate violent.
- q) **Nu puneți unealta electrică în funcțiune în timp ce o cărați pe lângă corp.** În urma unui contact accidental cu accesoriul rotativ, acesta vă poate prinde îmbrăcămintea, trăgând accesoriul în corpul dvs.
- r) **Curățați în mod regulat orificiile de aerisire ale unelei electrice.** Ventilatorul motorului va atrage praful în interiorul carcasei, iar acumularea excesivă de pulbere metalică poate cauza pericole electrice.
- s) **Nu operați unealta electrică lângă materiale inflamabile.** Scântelele pot duce la aprinderea acestor materiale.
- t) **Nu utilizați accesoriile ce necesită agenți de răcire lichizi.** Utilizarea apei sau a altor agenți de răcire lichizi poate cauza electrocutare sau șoc electric.

Recul și avertizările aferente acestuia

Recul este o reacție bruscă a unui disc rotativ, periei, bandă de șlefuire, perie sau a oricărui alt accesoriu care a fost ciupit sau agățat în timpul rotirii. Blocarea sau agățarea determină oprirea rapidă a accesoriului rotativ, fapt ce cauzează, în schimb, împingerea necontrolată a unelei electrice în direcția opusă sensului de rotație a accesoriului. Dacă, de exemplu, un disc de șlefuit se agață sau se blochează în piesa de prelucrare, marginea discului de șlefuit care penetrează direct piesa de prelucrare se poate agăța în aceasta și duce astfel la smulgerea discului de șlefuit sau poate provoca recul. Discul se va deplasa către operator sau în sens opus acestuia, în funcție de direcția de rotație a discului în punctul de blocare. În această situație discurile de șlefuit se pot chiar rupe. Reculul este rezultatul utilizării incorecte a mașinii și/sau al procedurilor sau al condițiilor incorecte de funcționare, care pot fi evitate urmând măsurile de precauție adecvate, după cum este indicat mai jos.

- a) **Țineți bine unealta electrică și aduceți-vă corpul și brațele într-o poziție în care să puteți controla forțele de recul.** Operatorul poate controla forțele de recul dacă sunt adoptate măsuri adecvate pentru protecție.

- b) **Fiți deosebit de atenți atunci când lucrați pe colțuri, muchii ascuțite etc. Evitați salturile și agățarea accesoriului.** Accesoriul aflat în mișcare de rotație are tendința să se blocheze în colțuri, pe muchii ascuțite sau când ricoșează în urma izbirii, determinând astfel pierderea controlului sau reculul.
- c) **Nu atașați o lamă de ferăstrău cu dinți.** Asemenea dispozitive de lucru provoacă frecvent recul sau duc la pierderea controlului.
- d) **Introduceți întotdeauna accesoriul în material în aceeași direcție cu marginea de tăiere care iese din material (care este aceeași direcție în care sunt aruncate așchiile).** Introducerea unelei în direcția greșită determină ca muchiile de tăiere ale accesoriului să iasă din piesa de prelucrat și să tragă unealta în direcția respectivă.
- e) **Atunci când utilizați pile rotative, discuri de tăiere, freze de mare viteză sau accesorii de tăiat din carbură de tungsten, fixați întotdeauna piesa de prelucrat.** Aceste discuri se vor înțepeni dacă se curbează ușor în tăietură și pot ricoșa. Când un disc de debitat se curbează, de obicei acesta se rupe. Atunci când o pilă rotativă, freză de mare viteză sau disc de tăiere din carbură de tungsten se blochează, acesta poate sări din canelură și ați putea pierde controlul asupra unelei.

INSTRUCȚIUNI SUPLIMENTARE DE SIGURANȚĂ PENTRU OPERAȚIUNILE DE POLIZARE ȘI TĂIERE

Avertizări de siguranță specifice operațiilor de polizare și tăiere abrazivă:

- a) **Utilizați exclusiv tipuri de discuri recomandate pentru unealta dvs. electrică și numai pentru aplicațiile recomandate. Spre exemplu: nu polizați cu partea laterală a discului de debitat.** Discurile de tăiere sunt destinate îndepărtării de material cu marginea discului, întrucât exercitarea forțelor laterale asupra discurilor poate duce la ruperea lor.
- b) **Pentru conuri filetate abrazive și prize, utilizați numai mandrine cu disc nedeteriorate, cu o flanșă umăr continuă care să aibă dimensiunea și lungimea potrivită.** Mandrinele corespunzătoare vor reduce posibilitatea ruperii.
- c) **Nu „blocați” un disc de debitat sau nu apăsați excesiv pe acesta. Nu executați tăieri exagerat de adânci.** Suprasolicitarea discului mărește sarcina și probabilitatea de răsucire și blocare

a discului în tăietură, precum și posibilitatea producerii reculului sau a ruperii discului.

- d) **Nu poziționați mâna pe aceeași direcție și în spatele discului ce se rotește.** În timpul operării, atunci când discul se deplasează în direcția opusă mâinii dvs., eventualul recul ar putea propulsa discul ce se rotește și unealta electrică direct înspre dvs.
- e) **Atunci când discul este ciupit, agățat sau când se întrerupe debitarea din orice motiv, opriți unealta electrică și țineți-o în poziție fixă până când discul se oprește complet. Nu încercați niciodată să extrageți discul de tăiere din tăietură în timp ce discul este în mișcare, altfel se poate produce un recul.** Examinați și adoptați măsuri de corecție pentru a elimina cauza ciupirii sau agățării discului.
- f) **Nu porniți din nou operațiunea de tăiere atunci când discul se află în tăietura din piesa de prelucrat. Lăsați discul de tăiere să atingă turația maximă și numai după aceea continuați să tăiați cu precauție.** Dacă reporniți scula electrică în piesa de prelucrare, discul se poate bloca, sări afară sau provoca recul.
- g) **Susțineți panourile sau orice alte piese de prelucrat de mari dimensiuni pentru a reduce la minimum ciupirea discului și reculul.** Piese mari se pot încovoia sub propria greutate. Piesele de sprijin trebuie poziționate sub piesa de prelucrare, atât în apropierea liniei de tăiere cât și în apropierea marginii, pe ambele laturi ale discului.
- h) **Acordați o atenție suplimentară la efectuarea unui „buzunar” în pereți sau în alte locuri fără vizibilitate.** La penetrarea în sectorul vizat, discul de tăiere poate cauza recul dacă nimeriște în conducte de gaz sau de apă, conductori electrici sau alte obiecte.

INSTRUCȚIUNI SUPPLEMENTARE DE SIGURANȚĂ PENTRU PERIA DE SĂRMĂ

Avertizări de siguranță specifice operațiunilor de frecare cu perii de sârmă:

- a) **Rețineți că firele de sârmă sunt proiectate din perie chiar și în timpul operării obișnuite. Nu suprasolicitați periele de sârmă aplicând o sarcină excesivă asupra uneltei.** Firele de sârmă pot penetra cu ușurință îmbrăcămintea subțire și/sau pielea.
- b) **Lăsați periele să ruleze la viteza de funcționare timp de cel puțin un minut înainte de a le utiliza.**

În acest timp, nimeni nu trebuie să stea în față sau în linie cu peria. Perii sau fire libere vor fi eliminate în timpul rulării.

- c) **Direcționați descărcarea periei de sârmă rotitoare departe de dvs.** Particulele mici și fragmentele mici de sârmă pot fi descărcate cu viteză mare în timpul utilizării acestor perii și pot pătrunde sub piele.

INFORMAȚII CU PRIVIRE LA ÎNCĂRCĂTOR

Domeniul de utilizare

Reîncărcați grupul de baterii reîncărcabile. Alte tipuri de acumulatori pot exploda provocând rănire personală și daune.

- a) **Aparatul nu trebuie utilizat de către persoane (inclusiv copii) cu capacități fizice, senzoriale sau mentale reduce, sau de către persoane lipsite de experiență și cunoștințe, cu excepția cazului în care acestea au fost supravegheate și instruite**
- b) **Nu lăsați copiii nesupravegheați să se joace cu aparatul**
- c) **Nu reîncărcați bateriile ne-reîncărcabile!**
- d) **În timpul încărcării, acumulatorii trebuie amplasați într-o zonă bine ventilată!**
- e) **Bateriile integrate pot fi îndepărtate numai de către personal calificat.** Deschiderea carcasei poate distruge unealta electrică.
- Pentru a scoate bateria din scula electrică, apăsați butonul de pornire/oprire (5) până la baterie este complet descărcat. Deșurubați șuruburile de pe carcasa și scoateți carcasa carcasei pentru a scoate bateria. Pentru a preveni scurtcircuitul, deconectați conectorii de la baterie pe rând și apoi izolați terminalele. Chiar și atunci când este complet descărcată, bateria conține încă o capacitate reziduală, care poate fi eliberată în cazul unui scurtcircuit.

Instrucțiuni de siguranță privind alimentarea electrică

Atunci când folosiți aparate electrice, respectați întotdeauna reglementările de siguranță aplicabile în țara dumneavoastră, pentru a reduce riscul de incendii, electrocutare și rănire personală. Citiți următoarele instrucțiuni de siguranță.



Verificați întotdeauna ca alimentarea cu energie să corespundă tensiunii de pe plăcuța cu specificații.



Această mașină prezintă izolare dublă, prin urmare, nu este necesară împământarea.

2. INFORMAȚII CU PRIVIRE LA MAȘINĂ

Domeniul de utilizare

Această unealtă electrică este proiectată pentru a fi folosită ca polizor, mașină de șlefuit, perie de sârmă, unealtă de sculptură sau unealtă de tăiere. Această unealtă multifuncțională este excelentă pentru editarea materialelor precum lemnul, plasticul, piatra, aluminiul, alama și oțelul. Folosiți întotdeauna accesoriile și turația corespunzătoare.

SPECIFICAȚII TEHNICE

Nr. model	CT503DC
Acumulatorul	4V Li-ion 600mAh
Timp de încărcare acumulator	2 ore
Diametrul maxim al discului	Ø35 mm
Diametrul maxim al burghiului	Ø2,3 mm
Turație la mers în gol	5000/10000/15000/min
Capacitatea mandrinei cu arc	2,3 mm
Greutate	0,1 kg
Lpa (Nivel presiune sonoră)	79+3 dB(A)
Lwa (Nivel putere sonoră)	90+3 dB(A)
Vibrație	1,177+1,5 m/s ²

Nivelul vibrațiilor

Nivelul emisiilor de vibrații menționat în acest manual de instrucțiuni a fost măsurat în conformitate cu un test standardizat precizat în EN 60745; poate fi folosit pentru a compara o sculă cu alta și ca evaluare preliminară a expunerii la vibrații atunci când folosiți scula pentru aplicațiile menționate.

- utilizarea sculei pentru aplicații diferite sau cu accesorii diferite și prost întreținute poate crește semnificativ nivelul de expunere.
- momentele în care scula este oprită sau când funcționează dar nu execută nicio lucrare, pot reduce semnificativ nivelul de expunere.

Protejați-vă împotriva efectelor vibrațiilor prin întreținerea sculei și a accesoriilor sale, păstrând mâinile calde și organizând procesele de lucru.

DESCRIERE

Numerale din textul următor se referă la imaginile de la paginile 2-4

1. Mandrină
2. Blocare ax
3. Buton de pornire/oprire și buton de reglare a vitezei
4. Lumini indicare turație
5. Becul indicatorului încărcătorului
6. Cablu încărcător

3. MONTAREA



Asigurați-vă întotdeauna că mașina este oprită înainte de a monta un accesoriu.



Avertizare! Schimbați accesoriile prin introducerea unui accesoriu în patron (sau mandrină) pe cât posibil pentru a minimiza uzura și dezechilibrul.

Montarea accesoriilor (Fig. B)

Apăsăți butonul de blocare a axului (2) și țineți-l apăsat. Deșurubați manual mandrina (1). Puneți accesoriul în poziția sa. Apăsăți butonul de blocare a axului (2) atunci când strângeți mandrina (1).



Nu apăsați butonul de blocare a axului în timp ce motorul este în funcțiune.

4. UTILIZAREA

Porniți mașina apăsând butonul de pornire/oprire (3). Prin apăsarea butonului de pornire/oprire (3) încă o dată, mașina se va seta la viteza 2, iar prin apăsarea pentru a treia oară, mașina se va seta la viteza 3. Prin apăsarea butonului de pornire/oprire (3) pentru a patra oară, mașina se oprește. Nu lăsați mașina din mână când motorul este încă în funcțiune. Nu amplasați mașina pe o suprafață cu praf. Particulele de praf pot pătrunde în mecanism.



O sarcină prea mare la o turație redusă a unelei multifuncționale poate arde motorul.

Înainte de prima utilizare, acumulatorul trebuie să fie încărcat.

Încărcarea aparatului (folosind încărcătorul)

- Conectați cablul încărcătorului (6) (inclus) la un adaptor (nu este inclus).
- Conectați cablul încărcătorului (6) la aparat. (fig. J)
- Conectați mufa încărcătorului la o priză electrică și așteptați o perioadă. Indicatorul luminos de

Încărcare (5) se va aprinde și va indica starea de încărcare.

LED	Stare încărcător
Roșu	Încărcare acumulator în progres
Verde	Încărcare acumulator terminată, acumulatorul este încărcat complet

- După ce bateria este complet încărcată, scoateți fișa încărcătorului din priză și scoateți fișa mică de la dispozitiv.

Ținerea și ghidarea uneltei (Fig. C)

- Pentru lucrări de precizie (gravură): mâner de tip creion (C1)
- Pentru lucrări dure (șlefuire): mâner tip cuțit (C2)
- Atunci când trebuie să țineți unealta paralelă cu suprafața de lucru (de exemplu, atunci când folosiți un disc de debitat): mâner tip golf pentru 2 mâini (C3)

Utilizarea optimă a uneltei și a accesoriilor sale (Fig. A)

Pentru o utilizare optimă a accesoriilor, folosiți turația corectă. Puteți consulta prezentarea generală „Setarea recomandată a turației” de mai jos pentru a determina turația corectă, în funcție de materialul pe care se lucrează și de tipul de accesoriu utilizat. Această prezentare generală vă permite să selectați atât accesoriul corect, cât și turația optimă. Cele 3 indicatoare luminoase de turație (4) sunt egale cu numerele 1, 2 și 3 din prezentarea generală „Setarea recomandată a turației”. În cele din urmă, cel mai bun mod de a determina turația corectă de lucru pe orice material este de a exersa pe o bucată de probă.

SETAREA RECOMANDATĂ A TURAȚIEI

Pietre de polizat (Fig. D)

Material	Setare viteză
Piatră, scoică	1-2
Oțel	2-3
Aluminiu, alamă	2
Plastic	1-2

Discuri și vârf de pâslă (Fig. E)

Discurile sau vârfurile de pâslă trebuie înșurubate pe dorn.

Material	Setare viteză
Oțel	2-3
Aluminiu, alamă	2
Plastic	2-3

Benzi și disc de șlefuit (discul de șlefuit nu este inclus) (Fig. F)

Material	Setare viteză
Lemn	3
Oțel	1-2
Aluminiu, alamă	2
Plastic	1-2

Perie (Fig. G)

Material	Setare viteză
Piatră, scoică	2
Aluminiu, alamă	2

Freză de mare viteză, vârf diamantat și burghiu (Fig. H)

Material	Setare viteză
Piatră, scoică	3
Oțel	2
Aluminiu, alamă	3
Plastic	1-2

Disc abraziv (discul nu este inclus) (Fig. I)

Material	Setare viteză
Oțel	2-3
Aluminiu, alamă	2
Plastic	1-2

5. ÎNTREȚINEREA



Asigurați-vă că aparatul nu este sub tensiune atunci când efectuați lucrări de întreținere a motorului.

Păstrați curate fantele de ventilație ale dispozitivului pentru a preveni supra-încălzirea motorului. Curățați periodic carcasa mașinii cu o cârpă moale, de preferință după fiecare utilizare. Curățați fantele de aerisire de praf și murdărie. Dacă murdăria nu se desprinde, folosiți o cârpă moale, umezită cu apă cu săpun. Nu folosiți niciodată solvenți precum benzină, alcool, apă cu amoniac etc. Acești solvenți pot deteriora piesele din plastic. Vă rugăm să curățați unealta imediat după utilizare.

MEDIU



Aparatele electrice sau electronice deteriorate și/sau eliminate trebuie aruncate la stațiile de reciclare destinate acestui scop.

Numai pentru țările din CE

Nu aruncați echipamentele acționate electric împreună cu gunoiul menajer. Conform Indicației europene 2012/19/EU pentru echipamente electrice și electronice uzate și a implementării sale la nivel național, echipamentele acționate electric scoase din uz trebuie colectate separat și evacuate într-o manieră ecologică.

GARANȚIE

Produsele VONROC sunt realizate la cele mai înalte standarde de calitate și sunt garantate în privința materialelor și a manoperei pentru întreaga perioadă de utilizare în garanție, începând cu data achiziției. În cazul în care produsul prezintă defecțiuni în perioada de garanție din cauza materialului defect și/sau a manoperei, contactați direct VONROC. Următoarele circumstanțe sunt excluse de la această garanție:

- Reparațiile sau modificările care realizate sau care s-au încercat a fi efectuate de centre de service neautorizate;
- Uzura în condiții normale de utilizare;
- Unealta care a fost abuzată, utilizată într-un mod neglijent sau întreținută în mod inadecvat;
- Folosirea unor piese de schimb neoriginale.

Aceasta acoperă garanția companiei, explicită sau implicită. Nu există alte garanții explicite sau implícite care să se extindă dincolo de cele indicate aici, incluzând garanțiile, vandabilitatea sau adecvarea pentru un anumit scop. În nicio situație, VONROC nu este responsabil pentru daunele incidentale sau consecvențiale. Reparațiile efectuate de reprezentant trebuie să fie limitate la reparațiile sau la înlocuirea unităților sau a pieselor neconforme.

Produsul și manualul de utilizare pot suferi modificări. Specificațiile se pot modifica fără notificare prealabilă.

1. INSTRUÇÕES DE SEGURANÇA

Leia os avisos de segurança fornecidos, os avisos de segurança adicionais e as instruções. O não cumprimento dos avisos de segurança e das instruções pode resultar em choque eléctrico, incêndio e/ou ferimentos graves. Guarde os avisos de segurança e as instruções para referência futura.

Os seguintes símbolos são utilizados no manual do utilizador ou no produto:



Indica o risco de ferimentos, morte ou danos na ferramenta se as instruções indicadas neste manual não forem seguidas.



Risco de choque eléctrico



Controlo de velocidade variável



Apenas para utilização no interior



Use protecção ocular e auricular



Use uma máscara anti-poeira



Não carregue no botão de bloqueio do eixo enquanto o motor estiver em funcionamento.



Máquina de classe II - Isolamento duplo
- Não é necessário uma ficha com ligação à terra.



Temperatura máx.: 40 °C



Não deite a bateria no fogo



Não coloque a bateria dentro de água



Não elimine o produto em recipientes não adequados.



Recolha selectiva para bateria de iões de lítio.



O produto está em conformidade com as normas de segurança aplicáveis nas directivas europeias.

AVISOS GERAIS DE SEGURANÇA SOBRE A FERRAMENTA ELÉCTRICA



AVISO! Leia todos os avisos de segurança e instruções. O não cumprimento dos avisos de segurança e as instruções podem resultar em choque eléctrico, incêndio e/ou ferimentos graves.

Guarde todos os avisos e instruções para referência futura.

O termo “ferramenta eléctrica” indicado nos avisos diz respeito à ferramenta eléctrica com alimentação pela rede (com fio) ou por bateria (sem fio).

1) Segurança da área de trabalho

- Mantenha a área de trabalho limpa e devidamente iluminada.** As áreas obstruídas ou escuras são propícias a acidentes.
- Não utilize ferramentas eléctricas em atmosferas explosivas, por exemplo, na presença de líquidos inflamáveis, gases ou poeiras.** As ferramentas eléctricas produzem faíscas que podem causar ignição de poeiras ou vapores.
- Quando utilizar uma ferramenta eléctrica, mantenha as crianças e transeuntes afastados.** As distrações podem causar perda de controlo.

2) Segurança eléctrica

- As fichas da ferramenta eléctrica devem corresponder à tomada. Nunca modifique, de forma alguma, a ficha. Não utilize quaisquer fichas adaptadoras com ferramentas eléctricas ligadas à terra (massa).** As fichas e tomadas correspondentes não modificadas reduzem o risco de choque eléctrico.
- Evite o contacto do corpo com superfícies ligadas à terra ou massa, como tubos, radiadores, fogões ou frigoríficos.** Há um maior risco de choque eléctrico se o corpo estiver ligado à terra ou à massa.
- Não exponha as ferramentas eléctricas à chuva ou a ambientes húmidos.** A entrada de água numa ferramenta eléctrica aumenta o risco de choque eléctrico.
- Não utilize o cabo de maneira abusiva. Nunca utilize o cabo para transportar, puxar ou desligar a ferramenta eléctrica. Mantenha o cabo afastado de fontes de calor, óleo, extremidades afiadas ou peças móveis.** Cabos danificados ou enrolados aumenta o risco de choque eléctrico.

- e) **Quando utilizar uma ferramenta eléctrica no exterior, opte por uma extensão adequada para utilização no exterior.** A utilização de um cabo adequado para utilização no exterior reduz o risco de choque eléctrico.
- f) **Se não for possível evitar trabalhar com uma ferramenta eléctrica num local húmido, utilize uma fonte de alimentação protegida por um dispositivo de corrente residual (DCR).** A utilização de um DCR reduz o risco de choque eléctrico.
- 3) Segurança eléctrica**
- a) **Esteja atento, preste atenção ao que está a fazer e tenha bom senso quando utilizar uma ferramenta eléctrica. Não utilize uma ferramenta eléctrica quando estiver cansado ou sob o efeito de drogas, álcool ou medicamentos.** Um momento de distração durante a utilização de ferramentas eléctricas pode resultar em ferimentos graves.
- b) **Use equipamento de protecção individual. Use sempre protecção ocular.** O equipamento de protecção, como, por exemplo, máscara de poeiras, sapatos de segurança antiderrapantes, capacete de segurança ou protecção auditiva, utilizado nas condições adequadas, reduz o risco de ferimentos.
- c) **Evite accionamentos acidentais. Assegure-se de que o gatilho está desligado antes de ligar a ferramenta à corrente eléctrica e/ou as baterias e antes de levantar ou transportar a ferramenta.** O transporte de ferramentas eléctricas com o dedo colocado no interruptor ou a ligação à corrente das ferramentas eléctricas com o interruptor ligado pode dar origem a acidentes.
- d) **Retire eventuais chaves de ajuste ou chaves de fendas antes de ligar a ferramenta eléctrica.** Uma chave de fenda ou de ajuste montada numa peça rotativa da ferramenta eléctrica pode causar ferimentos.
- e) **Não tente chegar a pontos fora do alcance. Mantenha-se sempre numa posição firme e bem equilibrada.** Desta forma, será mais fácil controlar a ferramenta eléctrica em situações inesperadas.
- f) **Use vestuário adequado. Não use roupa larga ou jóias. Mantenha o cabelo, a roupa e as jóias afastados das peças móveis.** As roupas largas, as jóias ou o cabelo comprido podem ficar presos nestas peças.
- g) **Se for prevista a montagem de dispositivos de extracção e recolha de poeiras, assegure-se de que estão ligados e que são utilizados de forma correcta.** A utilização de dispositivos de extracção de poeiras pode reduzir os riscos inerentes.
- h) **Não permita que a familiaridade obtida através do uso frequente de ferramentas faça com que seja complacente e ignore os princípios de segurança da ferramenta.** Uma acção irreflectida pode causar ferimentos graves numa fracção de segundos.
- 4) Utilização e cuidados a ter com a ferramenta com baterias**
- a) **Não sobrecarregue a ferramenta eléctrica. Utilize a ferramenta eléctrica correcta para o seu trabalho.** A ferramenta eléctrica adequada efectua o trabalho de maneira mais eficiente e segura se for utilizada de acordo com a capacidade para a qual foi concebida.
- b) **Não utilize a ferramenta eléctrica se não conseguir ligar ou desligar o gatilho.** Qualquer ferramenta eléctrica que não possa ser controlada através do gatilho é perigosa e tem de ser reparada.
- c) **Retire a ficha da fonte de alimentação e/ou a bateria da ferramenta eléctrica, caso seja possível fazê-lo, antes de efectuar quaisquer ajustes, substituir acessórios ou guardar ferramentas eléctricas.** Estas medidas de segurança preventivas reduzem o risco de ligar a ferramenta eléctrica acidentalmente.
- d) **Mantenha as ferramentas eléctricas que não estiverem a ser utilizadas fora do alcance das crianças. Não permita que a ferramenta eléctrica seja utilizada por pessoas não familiarizadas com a mesma ou que não tenham lido estas instruções.** As ferramentas eléctricas são perigosas nas mãos de pessoas que não possuam as qualificações necessárias para manuseá-las.
- e) **Faça a manutenção das ferramentas eléctricas. Verifique se as peças móveis da ferramenta eléctrica estão alinhadas e não emperram, bem como se existem peças partidas ou danificadas ou quaisquer outras condições que possam afectar o funcionamento da mesma. Se a ferramenta eléctrica estiver danificada, esta não deve ser utilizada até que seja reparada.** Muitos acidentes têm como principal causa ferramentas eléctricas com uma manutenção insuficiente.

- f) **Mantenha as ferramentas de corte afiadas e limpas.** As ferramentas de corte sujeitas a uma manutenção adequada, com arestas de corte afiadas, bloqueiam com menos frequência e controlam-se com maior facilidade.
- g) **Utilize a ferramenta eléctrica, os acessórios e as peças de ferramenta, etc., de acordo com estas instruções, considerando as condições de trabalho e a tarefa a ser executada.** A utilização da ferramenta eléctrica para fins diferentes dos previstos pode resultar em situações perigosas.
- h) **Mantenha as pegas e as superfícies de fixação secas, limpas e sem óleo e gordura.** As pegas escorregadias e as superfícies de fixação não permitem o manuseamento seguro e o controlo da ferramenta em situações imprevistas.

5) Utilização e cuidados a ter com a ferramenta com baterias

- a) **Recarregue apenas com o carregador especificado pelo fabricante.** Um carregador adequado para um tipo de bateria pode causar um incêndio se for utilizado com outra bateria.
- b) **Utilize apenas ferramentas eléctricas que tenham pilhas especificamente concebidas.** A utilização de outro tipo de baterias pode causar lesões e incêndio.
- c) **Quando não utilizar a bateria, mantenha-a afastada de outros objectos metálicos, tais como cliques para papel, moedas, chaves, pregos, parafusos ou outros pequenos objectos metálicos que permitam fazer a ligação entre um terminal e outro.** O curto-circuito dos terminais da bateria pode causar queimaduras ou um incêndio.
- d) **Em condições abusivas, pode derramar líquido da bateria, devendo evitar o contacto. Se tocar acidentalmente no líquido, lave bem com água. Se o líquido entrar em contacto com os olhos, consulte um médico.** O líquido derramado da bateria pode causar irritação ou queimaduras.
- e) **Não utilize baterias ou ferramentas danificadas ou modificadas.** As baterias danificadas ou modificadas podem ter um comportamento inesperado, resultando em incêndio, explosão ou risco de ferimentos.
- f) **Não exponha as baterias ou as ferramentas a fogo ou a temperaturas excessivas.** A exposição a fogo ou a temperaturas superiores a 130 °C podem causar uma explosão. NOTA: a temperatura "130 °C" pode ser substituída pela temperatura "265 °F".

- g) **Siga todas as instruções de carregamento e não carregue a bateria ou a ferramenta fora do intervalo de temperaturas especificado nas instruções.** O carregamento inadequado ou de acordo com temperaturas fora do intervalo especificado pode danificar a bateria e aumentar o risco de incêndio.

6) Assistência

- a) **A sua ferramenta eléctrica só deve ser reparada por pessoal qualificado e só devem ser utilizadas peças sobressalentes idênticas.** Desta forma, é garantida a segurança da ferramenta eléctrica.
- b) **Nunca repare baterias danificadas.** A reparação de baterias deve ser efectuada apenas pelo fabricante ou fornecedores de assistência autorizados.

INSTRUÇÕES ESPECÍFICAS DE SEGURANÇA

- a) **Esta ferramenta eléctrica foi concebida para funcionar como rebarbadora, lixadeira, escova metálica, polidor, trincha ou ferramenta de corte. Leia todos os avisos de segurança, instruções, ilustrações e especificações fornecidos com esta ferramenta eléctrica.** O não cumprimento de todas as instruções indicadas abaixo podem resultar em choque eléctrico, incêndio e/ou ferimentos graves.
- c) **Não utilize acessórios que não tenham sido concebidos e recomendados especificamente pelo fabricante da ferramenta.** O facto de poder instalar o acessório na ferramenta eléctrica, não garante um funcionamento seguro.
- d) **A velocidade nominal dos acessórios de rebarbação deve ser, pelo menos, igual à velocidade máxima assinalada na ferramenta eléctrica.** Os acessórios de rebarbação funcionam mais depressa do que à velocidade nominal e são projectados.
- e) **O diâmetro externo e a espessura do acessório devem estar de acordo com a capacidade da ferramenta eléctrica.** Os acessórios com tamanho incorrecto não podem ser controlados de maneira adequada.
- f) **O tamanho do eixo das rodas, rolos de lixagem ou qualquer outro acessório deve ficar instalado correctamente no veio ou no pinça da ferramenta eléctrica.** Os acessórios que não correspondam ao equipamento de montagem da ferramenta eléctrica podem ficar desequilibrados, vibrar excessivamente e podem causar perda de controlo da ferramenta eléctrica.

- g) **Os discos montados em mandris, os rolos de lixagem, ferramentas de corte ou outros acessórios devem ser inseridos totalmente na pinça ou no mandril.** Se o mandril não estiver fixado correctamente e/ou a consola do disco for demasiado comprida, o disco montado pode soltar-se e ser ejectado a uma velocidade elevada.
- h) **Não utilize acessórios danificados. Antes de cada utilização, inspecione o acessórios, por exemplo, procure rachas e fendas nos discos abrasivos, rachas no rolo de lixagem, danos ou desgaste excessivo, fios partidos ou rachados na escova metálica. Se deixar cair a ferramenta eléctrica ou os acessórios, verifique o respectivo estado. Após inspecionar e instalar um acessório, coloque-se a si mesmo e quaisquer outras pessoas presentes no local numa posição afastada do ângulo de trabalho do acessório rotativo e ligue a ferramenta eléctrica na respectiva velocidade máxima em vazio durante um minuto.** Os acessórios danificados irão normalmente fragmentar-se durante este período de teste.
- i) **Use equipamento de protecção individual. Dependendo da operação, use uma viseira ou óculos de protecção. Conforme necessário, use uma máscara anti-poeira, protectores auditivos, luvas e um avental de oficina que o proteja contra pequenos fragmentos abrasivos ou da peça.** A protecção ocular tem de ser capaz de proteger contra a projecção de detritos resultantes de várias operações. A máscara anti-pó ou um filtro respiratório equivalente tem de ser capaz de filtrar as partículas criadas pela utilização da ferramenta. A exposição prolongada a ruído de grande intensidade pode causar perda de audição.
- j) **Mantenha as pessoas presentes no local a uma distância segura da área de trabalho. Qualquer pessoa que entre no perímetro da área de trabalho tem de usar equipamento de protecção individual.** Pode dar-se o caso de fragmentos da peça de trabalho ou de um acessório partido serem projectados para longe e causarem ferimentos fora da área de trabalho imediata.
- k) **Segure a ferramenta eléctrica apenas pelas superfícies de fixação isoladas quando efectuar uma operação em que o acessório de corte possa entrar em contacto com fios ocultos.** Um acessório de corte que entre em contacto com um fio sob tensão eléctrica pode fazer com que as peças de metal expostas da ferramenta conduzam electricidade e electrocutem o utilizador.
- l) **Segure sempre a ferramenta com firmeza na(s) mão(s) durante o arranque.** O binário de reacção do motor, quando atinge a velocidade máxima, pode fazer com que a ferramenta torça.
- m) **Use grampos para apoiar a peça de trabalho, sempre que for prático. Quando estiver a trabalhar numa peça de trabalho, nunca a segure com uma mão e a ferramenta na outra mão.** A fixação de uma peça de trabalho pequena permite-lhe utilizar a(s) mão(s) para controlar a ferramenta. Os materiais redondos, como cavilhas, canos ou tubos têm tendência para rodar quando estão a ser cortados e podem fazer com que a broca fique bloqueada ou seja projectada na sua direcção.
- n) **Afaste o cabo de alimentação do acessório rotativo.** Se perder o controlo da ferramenta, o cabo poderá ser cortado ou ficar preso no acessório, puxando a sua mão ou o seu braço na direcção da lâmina em rotação.
- o) **Nunca pouse a ferramenta eléctrica antes de o acessório ficar completamente imobilizado.** O acessório rotativo poderá ficar preso na superfície onde pousou a ferramenta eléctrica e puxá-la para longe das suas mãos, fazendo-o perder o controlo da mesma.
- p) **Depois de substituir as brocas ou efectuar quaisquer ajustes, assegure-se de que a porca de aperto, o mandril ou qualquer outro dispositivo de regulação estão apertados com firmeza.** Se estiverem soltos, os dispositivos de regulação podem deslocar-se de maneira inesperada e causar perda de controlo, os componentes soltos podem ser projectados de maneira violenta.
- q) **Não ligue a ferramenta eléctrica enquanto a estiver a transportar.** Um contacto accidental do acessório rotativo com a sua roupa poderá prendê-la no mesmo, puxando o acessório na direcção do seu corpo.
- r) **Limpe regularmente as aberturas de ventilação da ferramenta eléctrica.** A ventoinha do motor irá puxar as partículas no interior da caixa da ferramenta e a acumulação excessiva de metal em pó poderá causar riscos eléctricos.
- s) **Não utilize a ferramenta eléctrica perto de materiais inflamáveis.** Estes materiais poderão ser inflamados por faíscas da ferramenta.

- t) **Não utilize acessórios que necessitem de líquidos de refrigeração.** A utilização de água ou outros líquidos de refrigeração poderá resultar em electrocussão ou choque eléctrico.

Recuo e avisos relacionados

O efeito de recuo é uma reacção súbita resultante do aperto ou bloqueio de um disco rotativo, de uma lixa, escova ou de qualquer outro acessório. O aperto ou bloqueio causa uma paragem rápida do acessório rotativo, o que, por sua vez, faz com que a ferramenta eléctrica seja impelida na direcção oposta à rotação do acessório.

Por exemplo, se um disco abrasivo ficar preso ou for apertado pela peça de trabalho, a extremidade do disco que estiver em contacto com o ponto de aperto pode penetrar a superfície do material, fazendo o disco subir ou saltar da peça. O disco poderá então saltar na direcção do utilizador ou para longe do mesmo, dependendo da direcção do movimento do disco no ponto de aperto. Os discos abrasivos podem também partir-se nestas condições.

O efeito de recuo é o resultado de uma utilização abusiva da ferramenta eléctrica e/ou de condições ou procedimentos de utilização incorrectos e pode ser evitado tomando as precauções indicadas abaixo.

- Segure a ferramenta eléctrica com firmeza e posicione o seu corpo e o seu braço de forma a poder resistir ao efeito de coice.** O operador pode controlar o efeito de recuo se forem tomadas as devidas precauções.
- Tenha especial cuidado ao utilizar a ferramenta em cantos, extremidades aguçadas, etc. Evite que o acessório salte ou fique preso na peça de trabalho.** Os cantos, as extremidades aguçadas ou o facto de o acessório rotativo saltar tendem a fazê-lo ficar preso na peça de trabalho e, conseqüentemente, a causar a perda do controlo da ferramenta ou a ocorrência do efeito de recuo.
- Não fixe uma lâmina de serra de dentes.** Estas lâminas originam frequentemente o efeito de recuo e a perda do controlo da ferramenta.
- Insira sempre a broca no material na mesma direcção da extremidade de corte está a sair do material (que está na direcção das lascas projectadas).** Se segurar na ferramenta pelo lado incorrecto, isso faz com que a extremidade de corte saia da peça de trabalho e empurre a ferramenta na direcção desta inserção.
- Se utilizar limas rotativas, discos de corte, ferramentas de corte de alta velocidade ou fer-**

ramentas de corte de carboneto de tungsténio, fixe sempre bem a peça de trabalho. Estes discos podem ficar presos se ficarem ligeiramente inclinados na ranhura e causar o efeito de recuo. Quando um disco de corte fica preso, normalmente parte-se. Quando uma lima rotativa, uma ferramenta de corte de alta velocidade ou uma ferramenta de corte de carboneto de tungsténio fica presa, pode saltar da ranhura e fazer com que perca o controlo da ferramenta.

INSTRUÇÕES DE SEGURANÇA ADICIONAIS PARA OPERAÇÕES DE REBARBAÇÃO E CORTE

Avisos de segurança específicos para operações de rebarbação e corte abrasivo:

- Utilize apenas os tipos de disco recomendados para a sua ferramenta eléctrica e apenas para as aplicações recomendadas. Por exemplo, não rebarbe materiais com a parte lateral de um disco de corte.** Os discos de corte abrasivo destinam-se a efectuar rebarbações periféricas, quaisquer forças laterais sobre estes discos podem estilhaçá-las.
- No que respeita a fichas e cones abrasivos roscados, utilize apenas mandris de discos não danificados com uma flange curva sem relevo de tamanho e comprimento correctos.** Mandris bem instalados reduzem a probabilidade de rotura.
- Não utilize o disco de corte de forma forçada nem aplique uma pressão excessiva no mesmo. Não efectue cortes excessivamente profundos.** Utilizar o disco de forma forçada aumenta a respectiva carga de trabalho e a susceptibilidade à torção ou ao bloqueio do mesmo no corte, bem como a possibilidade de ocorrer o efeito de recuo ou a fragmentação do disco.
- Não posicione o seu corpo directamente atrás do disco rotativo.** Quando o disco, no ponto da operação, estiver a afastar-se da sua mão, o possível efeito de recuo pode impelir o disco rotativo e a ferramenta eléctrica directamente contra si.
- Quando o disco estiver a emperrar ou ao interromper um corte por qualquer razão, desligue a ferramenta eléctrica e segure-a sem se mexer até que o disco fique completamente imobilizado. Nunca retire o disco de corte do corte enquanto o disco estiver em movimento. Caso contrário, poderá ocorrer o efeito de recuo.** Investigue e tome acções correctivas para eliminar a causa de aperto ou bloqueio do disco.

- f) **Não recomece a operação de corte na peça de trabalho. Deixe o disco alcançar a velocidade máxima e continue o corte de forma cuidadosa.** O disco pode ficar dobrado ou saltar da peça de trabalho ou emperrar se a ferramenta eléctrica for ligada em contacto com a peça.
- g) **Suporte quaisquer painéis ou qualquer peça de trabalho sobredimensionada para minimizar o risco de aperto do disco e ocorrência do efeito de coice.** As peças de trabalho de grandes dimensões tendem a vergar sobre o seu próprio peso. Devem ser colocados apoios debaixo da peça de trabalho perto da linha de corte e da extremidade da peça a trabalho em ambos os lados do disco.
- h) **Tenha especial cuidado ao efectuar um corte directo em paredes ou noutras áreas em que não seja possível visualizar quaisquer objectos ocultos dentro das mesmas.** O disco saliente pode cortar a canalização de gás ou água, a cablagem eléctrica ou outros objectos que podem causar o efeito de coice.
- a) **O equipamento não deve ser utilizado por pessoas (incluindo crianças) com capacidades físicas, sensoriais ou mentais reduzidas ou com falta de experiência e conhecimentos, a menos que tenham supervisão ou instrução**
- b) **As crianças devem ser vigiadas, para que não brinquem com o equipamento**
- c) **Não recarregue baterias não recarregáveis!**
- d) **Durante o carregamento, as baterias devem ser colocadas em locais bem ventilados!**
- e) **As baterias integradas só podem ser removidas por pessoal qualificado.** A abertura do invólucro da caixa pode destruir a ferramenta eléctrica. Para retirar a bateria da ferramenta eléctrica, carregue no interruptor para ligar/desligar (5) até a bateria ser totalmente descarregada. Desaperte os parafusos na caixa e retire o invólucro da caixa para retirar a bateria. Para evitar um curto-circuito, desligue cada um dos conectores na bateria e, em seguida, isole os pólos. Mesmo quando está totalmente descarregada, a bateria contém uma carga residual, que pode ser libertada se ocorrer um curto-circuito.

INSTRUÇÕES ADICIONAIS DE SEGURANÇA PARA OPERAÇÕES COM ESCOVAS METÁLICAS

Avisos de segurança específicos para operações com escovas metálicas:

- a) **Tenha em atenção que as cerdas são projectadas pela escova, mesmo durante operações habituais. Não aplique uma carga excessiva na escova porque pode expor os pêlos a um esforço excessivo.** As cerdas metálicas podem penetrar facilmente em roupa leve e/ou na pele.
- b) **Aguarde pelo menos um minuto até as escovas atingirem a velocidade de funcionamento antes de utilizá-las. Durante este período, não permita que outras pessoas se coloquem à frente ou alinhadas com a escova.** As cerdas ou fios soltos são descarregados durante o período de funcionamento.
- c) **Quando a escova metálica estiver a roda, não aponte a descarga na sua direcção.** Durante a utilização destas escovas, podem ser projectadas pequenas partículas e fragmentos de fio a uma velocidade elevada e penetrar na sua pele.

PARA O CARREGADOR

Utilização pretendida

Carregue apenas as baterias recarregáveis. Outros tipos de baterias podem rebentar, causando ferimentos e danos.

Segurança eléctrica

Quando utilizar máquinas eléctricas, cumpra sempre os regulamentos de segurança aplicáveis ao seu país para reduzir o risco de incêndio, choque eléctrico e ferimentos. Leia as seguintes instruções de segurança.



Verifique sempre se a fonte de alimentação corresponde à tensão indicada na placa sinalética.



A sua máquina tem um isolamento duplo, por conseguinte não é necessário um fio de ligação à terra.

2. INFORMAÇÕES SOBRE A MÁQUINA

Utilização pretendida

Esta ferramenta eléctrica foi concebida para funcionar como rebarbadora, lixadeira, escova metálica, polidora, trincha ou ferramenta de corte. Esta ferramenta combinada é muito adequada para trabalhar com materiais como madeira, plástico, pedra, casco de alumínio, latão e aço. Utilize sempre os acessórios e a regulação de rede adequados.

ESPECIFICAÇÕES TÉCNICAS

Modelo n.º	CT503DC
Bateria recarregável	Iões de lítio, 4V, 600 mAh
Tempo de carregamento da bateria	2 horas
Diâmetro máximo do disco	Ø 35 mm
Diâmetro máximo da broca	Ø 2,3 mm
Sem velocidade de carga	5000/10 000/15 000/min
Capacidade da pinça de fixação	2,3 mm
Peso	0,1 kg
Lpa (nível de pressão sonora)	79 + 3 dB(A)
Lwa (nível de potência sonora)	90 + 3 dB(A)
Vibração	1,177 + 1,5 m/s ²

Nível de vibração

O nível de emissão de vibrações indicado neste manual de instruções foi medido em conformidade com um teste padrão especificado pela norma EN 60745; pode ser utilizado para comparar ferramentas e como avaliação preliminar da exposição a vibrações quando utilizar a ferramenta nas aplicações indicadas.

- a utilização da ferramenta para aplicações diferentes, ou com acessórios diferentes ou com uma manutenção deficiente, pode aumentar consideravelmente o nível de exposição.
- o número de vezes que a ferramenta é desligada ou está ligada, mas não está a ser utilizada, pode reduzir significativamente o nível de exposição.

Proteja-se contra os efeitos da vibração, através de uma manutenção da ferramenta e dos respectivos acessórios, mantendo as mãos quentes e organizando os seus padrões de trabalho.

DESCRIÇÃO

Os números indicados no texto a seguir dizem respeito às imagens nas páginas 2 e 4

1. Pinça de fixação
2. Bloqueio do eixo
3. Botão para ligar/desligar e botão de regulação da velocidade
4. Luzes indicadores de velocidade
5. Luz indicadora do carregador
6. Cabo do carregador

3. MONTAGEM



Antes de montar um acessório, assegure-se sempre de que a máquina está desligada.



Aviso! Para substituir os acessórios, insira um acessório na pinça (ou mandril) o máximo possível para minimizar o reposicionamento e o desequilíbrio.

Montagem dos acessórios (Fig. B)

Carregue no botão de bloqueio do eixo (2) e mantenha-o premido. Desaperte a pinça de fixação (1) à mão. Coloque o acessório no respectivo local. Carregue no botão de bloqueio do eixo (2) quando apertar a pinça de fixação (1).



Não carregue no botão de bloqueio do eixo enquanto o motor estiver em funcionamento.

4. FUNCIONAMENTO

Para ligar a máquina, carregue no botão para ligar/desligar (3). Se carregar no botão para ligar/desligar (3) uma segunda vez, a máquina é regulada para a velocidade 2. Se carregar uma terceira vez, a máquina é regulada para a velocidade 3. Se carregar no botão para ligar/desligar (3) uma quarta vez, a máquina é desligada. Não desligue a máquina com o motor ainda em funcionamento. Não coloque a máquina sobre uma superfície com pó. Podem entrar partículas de pó no mecanismo.



Uma carga demasiado elevada a uma velocidade reduzida da ferramenta combinada pode queimar o motor.

A bateria deve ser carregada antes de utilizá-la pela primeira vez.

Carregar o dispositivo (com o carregador)

- Ligue o cabo do carregador (6) (incluído) num adaptador (não incluído).
- Ligue o cabo do carregador (6) na máquina. (Fig. J)
- Ligue a ficha do carregador numa tomada elétrica e aguarde uns instantes. A luz indicadora do carregador (5) acende-se e mostra o estado de carregamento.

LED	Estado do carregador
Vermelho	Carregamento da bateria em curso
Verde	O carregamento da bateria foi concluído, a bateria está totalmente carregada

- Quando a bateria estiver totalmente carregada, retire a ficha do carregador da tomada e retire a ficha pequena do dispositivo.

Segurar e orientar a ferramenta (Fig. C)

- Para tarefas de precisão (gravura): lápis com fixação (C1)
- Para tarefas exigentes (rebarbação): pega para faca de aparar (C2)
- Se for necessário manter a ferramenta paralela com a superfície de trabalho (por exemplo, quando utilizar um disco de corte): Pega de golfe com as 2 mãos (C3)

Utilização ideal da ferramenta combinada e respectivos acessórios (Fig. A)

Escolha a velocidade correcta para utilizar os acessórios de maneira correcta. Pode consultar a descrição geral “Regulação de velocidade recomendada” indicada abaixo para determinar a velocidade correcta, com base no material a trabalhar e no tipo de acessório que está a ser utilizado. Esta descrição geral permite-lhe escolher o acessório correcto e a velocidade ideal.

As 3 luzes indicadoras de velocidade (4) correspondem aos números 1, 2 e 3 indicados na descrição geral “Regulação de velocidade recomendada”. A melhor maneira de determinar a velocidade de trabalho correcta em qualquer material é praticar num pedaço de refugo.

REGULAÇÃO DE VELOCIDADE RECOMENDADA

Pedras de rebarbação (Fig. D)

Material	Regulação de velocidade
Pedra, invólucro	1-2
Aço	2-3
Alumínio, latão	2
Plástico	1-2

Discos e ponta de feltro (Fig. E)

Os discos ou a ponta de feltro devem ser apertados no mandril.

Material	Regulação de velocidade
Aço	2-3
Alumínio, latão	2
Plástico	2-3

Bandas e disco de lixa (o disco de lixa não está incluído) (Fig. F)

Material	Regulação de velocidade
Madeira	3
Aço	1-2
Alumínio, latão	2
Plástico	1-2

Escova de cerdas (Fig. G)

Material	Regulação de velocidade
Pedra, invólucro	2
Alumínio, latão	2

Ferramenta de corte de alta velocidade, ponta do disco de diamante e berbequim (Fig. H)

Material	Regulação de velocidade
Pedra, invólucro	3
Aço	2
Alumínio, latão	3
Plástico	1-2

Disco abrasivo (disco não incluído) (Fig. I)

Material	Regulação de velocidade
Aço	2-3
Alumínio, latão	2
Plástico	1-2

5. MANUTENÇÃO



Certifique-se de que o equipamento não tem corrente eléctrica quando efectuar o trabalho de manutenção no motor.

Mantenha as aberturas de ventilação da máquina limpas para evitar o sobreaquecimento do motor. Limpe a caixa da máquina com regularidade com um pano macio, de preferência após cada utilização. Se a sujidade não sair, utilize um pano macio humedecido com água com sabão. Não utilize solventes, como gasolina, álcool, amoníaco, água, etc. Estes solventes podem danificar as peças de plástico. Limpe a ferramenta de imediato após a utilização.

AMBIENTE



Os dispositivos eléctricos ou electrónicos danificados e/ou eliminados devem ser colocados em pontos de reciclagem específicos.

Apenas para os países da CE

Não elimine as ferramentas eléctricas em conjunto com os resíduos domésticos. De acordo com a directiva europeia 2012/19/UE sobre resíduos de equipamentos eléctricos e electrónicos e a respectiva implementação na legislação nacional, as ferramentas eléctricas que já não sejam utilizadas devem ser recolhidas em separado e eliminadas de maneira ecológica.

GARANTIA

Os produtos da VONROC são desenvolvidos de acordo com os padrões de qualidade mais elevados e não apresentam quaisquer defeitos em termos de materiais e mão-de-obra em relação ao período estipulado por lei, cujo início é a partir da data de compra original. Se o produto apresentar qualquer falha durante este período devido a qualquer defeito no material e/ou de mão-de-obra, contacte a VONROC directamente.

As seguintes circunstâncias estão excluídas desta garantia:

- Se forem efectuadas ou tentadas quaisquer reparações e/ou alterações na máquina por centros de assistência não autorizados;

- Desgaste normal;
- Se a ferramenta foi utilizada de maneira abusiva, indevida ou a manutenção for efectuada de maneira incorrecta;
- Se forem utilizadas peças sobresselentes não originais.

Isto constitui a única garantia feita pela empresa, de maneira expressa ou implícita. Não existem quaisquer outras garantias expressas ou implícitas que se prolonguem, incluindo as garantias implícitas de comercialização e adequação para fins específicos. A VONROC não será, em nenhuma circunstância, responsável por danos incidentais ou indirectos. Os fornecedores devem estar limitados a reparar ou substituir as unidades ou peças que não estejam em conformidade.

O equipamento e o manual do utilizador estão sujeitos a alterações sem aviso prévio. As especificações podem ser alteradas sem aviso prévio.

1. BIZTONSÁGI UTASÍTÁSOK

Olvassa el az összes mellékelt biztonsági figyelmeztetést. A figyelmeztetések és utasítások be nem tartása áramütéshez, tűz keletkezéséhez vagy akár súlyos személyi sérüléshez vezethet. Őrizze meg a biztonsági figyelmeztetéseket és utasításokat későbbre is.

A használati útmutatóban és a terméken a következő jelölésekkel találkozhat:



A jelen útmutató utasításainak be nem tartása esetén balesetveszély, életveszély vagy a szerszám károsodásának veszélyét jelöli.



Áramütés veszélye



Fordulatszám-szabályozás



Csak beltéri használatra



Viseljen fülvédő és szemvédő eszközt



Viseljen porvédő álarcot



Amikor jár a motor, ne nyomja meg a tengelyrögzőt gombot.



II. érintésvédelmi osztályú gép – kettős szigetelés: földvezeték nélküli csatlakozó aljzatról is használható.



Max. hőmérséklet: 40 °C



Az akkumulátort tűzbe dobni tilos



Az akkumulátort vízbe dobni tilos



A terméket hulladékként ne tegye arra nem alkalmas konténerbe.



Li-ion akkumulátor szelektív gyűjtése.



A termék megfelel az európai irányelvek releváns biztonsági követelményeinek.

AZ ELEKTROMOS SZERSZÁMOKRA VONATKOZÓ ÁLTALÁNOS BIZTONSÁGI FIGYELMEZTETÉSEK



FIGYELMEZTETÉS! Olvasson el minden biztonsági figyelmeztetést és utasítást.

A biztonsági figyelmeztetések és útmutatások be nem tartása áramütést, tüzet és/vagy súlyos sérülést okozhat.

Az összes figyelmeztetést és utasítást őrizze meg, mert később még szüksége lehet rájuk.

A figyelmeztetésekben szereplő „elektromos szerszám” kifejezés az Ön hálózatról működő (vezetékes) elektromos szerszámára vagy akkumulátorral működő (vezeték nélküli) elektromos szerszámra utal.

1) A munkaterület biztonsága

- Gondoskodjon a munkaterület tisztaságáról és megfelelő megvilágításáról.** A rendezetlen és sötét területeken valószínűbb a balesetek előfordulása.
- Ne használja az elektromos szerszámokat robbanásveszélyes légtérben, például ahol gyúlékony folyadékok, gázok vagy por vannak jelen.** Az elektromos szerszámok használata során keletkező szikra lángra lobbanthatja a port és füstöt.
- Az elektromos szerszám használata során a gyermekeket és a közelben tartózkodó személyeket tartsa távol a munkaterülettől.** Ha valami eltereli a figyelmét, elveszítheti az irányítást.

2) Elektromos biztonság

- Az elektromos szerszám dugóinak megfelelőnek kell lenniük az aljzathoz. Soha ne próbálja semmilyen módon módosítani a dugót. Földelt elektromos szerszámhoz ne használjon semmilyen adapterdugót.** Az eredeti (értsd: módosítás nélküli) dugók és megfelelő hálózati aljzatok használatával mérsékelhető az elektromos áramütés veszélye.
- Ügyeljen arra, hogy teste ne érintkezzen földelt felületekkel, például csövezetékkel, radiátorral, tűzhellyel vagy hűtőszekrényvel.** Ha teste földelődik, megnő az áramütés kockázata.
- Óvja az elektromos szerszámokat az esőtől és nedves környezettől.** Az elektromos szerszámba kerülő víz növeli az elektromos áramütés veszélyét.

- d) **Ne használja helytelenül (nem előírászerűen) a kábelt. A kábelt soha ne használja az elektromos szerszám hordozására, húzására vagy az aljzataból történő kihúzására. A kábelt tartsa távol hőforrásoktól, olajtól, hegyes élektől és mozgó alkatrészekről. A sérült vagy megtekeredett kábelek növelik az elektromos áramütés veszélyét.**
- e) **Az elektromos szerszám kültéri használata esetén kültéri használatra alkalmas hosszabító kábelt használjon.** A kültéri használatra alkalmas kábel használatával mérsékelhető az elektromos áramütés veszélye.
- f) **Ha az elektromos szerszámot mindenképpen nedves környezetben kell használni, akkor használjon áramvédő kapcsolóval (RCD) ellátott tápforrást.** Az áramvédő kapcsolóval ellátott tápforrás használatával mérsékelhető az elektromos áramütés veszélye.
- 3) Személyi biztonság**
- a) **Az elektromos szerszám használata során maradjon éber, koncentráljon az éppen végzett műveletre és használja a józan ítélőképességét. Ha fáradt, vagy ha kábítószert, alkoholt vagy gyógyszer hatása alatt áll, ne használjon elektromos szerszámot.** Az elektromos szerszámok használata közben egyetlen pillanatnyi figyelmetlenség is súlyos személyi sérülést okozhat.
- b) **Használjon egyéni védőfelszerelést. Mindig viseljen szemvédő felszerelést.** A megfelelő körülményekhez való védőeszközökkel (például pormaszkkal, csúszásgátló biztonsági cipővel, munkavédelmi sisakkal vagy hallásvédő eszközzel) csökkenthető a személyi sérülések kockázata.
- c) **Gondoskodjon a gép véletlen elindulásának a megelőzéséről. A szerszám tápforráshoz és/vagy akkumulátorcsomaghoz történő csatlakoztatása, kézbevétele vagy hordozása előtt győződjön meg róla, hogy a kapcsoló OFF (kikapcs.) állásban van.** Ha úgy hordozza az elektromos szerszámot, hogy az ujjja a kapcsolón van, vagy úgy helyezi feszültség alá, hogy a kapcsolója ON (bekapcs.) helyzetben van, ez növeli a balesetek kockázatát.
- d) **Az elektromos szerszám bekapcsolása előtt távolítsa el a csavarkulcsokat vagy beállító kulcsokat.** Az elektromos szerszám forgó alkatrészein felejtett csavarkulcs vagy beállító kulcs személyi sérülést okozhat.
- e) **Ne próbáljon túlnyújtóztatva vagy kitekeredett testhelyzetben dolgozni. Mindig két lábbal, egyensúlyát megtartva álljon a talajon.** Így könnyebben tudja irányítani az elektromos szerszámot a váratlan helyzetekben.
- f) **Viseljen megfelelő öltözetet. Ne viseljen laza ruhát vagy ékszert. Haját, ruháját és kesztyűjét tartsa távol a mozgó alkatrészekről.** A mozgó alkatrészek behúzzhatják a ruhákat, az ékszereket és a hosszú haját.
- g) **Ha a szerszámhoz porelszívó és porgyűjtő eszközt is lehet csatlakoztatni, akkor gondoskodjon ezek csatlakoztatásáról és megfelelő használatáról.** A porgyűjtő rendszerek használatával csökkenthetők a porral kapcsolatos veszélyek.
- h) **Ne engedje, hogy a szerszámok gyakori használata során szerzett tapasztalatai túlzott biztonságérzetet keltsenek Önben, és amiatt elhanyagolja a biztonsági alapelveket.** A gondatlan cselekvés már a másodperc törtrésze alatt is súlyos sérülést okozhat.
- 4) Az elektromos szerszám használata és ápolása**
- a) **Az elektromos szerszámot tilos túlzott erő-kifejtéssel használni. Az alkalmazási célnak megfelelő elektromos szerszámot használjon.** A megfelelő elektromos szerszám biztonságosabban és hatékonyabban végzi a munkát azon a fordulatszámon, amire azt tervezték.
- b) **Ne használja az elektromos szerszámot, ha az nem kapcsolható be/ki a főkapcsolóval.** Bármely elektromos szerszám veszélyes lehet, amit a kapcsolóval nem lehet irányítani, ezért az ilyen elektromos szerszámot meg kell javíttatni.
- c) **Válassza le a dugót a tápforrásról és/vagy az akkumulátorcsomagot az elektromos szerszámról, mielőtt bármilyen módosítást végez, tartozékot cserél vagy eltávolítja az elektromos szerszámot.** Ezekkel a megelőző biztonsági intézkedésekkel csökkenthető az elektromos szerszám véletlen elindulásának a kockázata.
- d) **A használaton kívüli elektromos szerszámot olyan helyen tárolja, ahol gyermekek nem férhetnek hozzá; ne engedje, hogy olyan személyek használják, akik az elektromos szerszámot és ezeket az utasításokat nem ismerik.** Az elektromos szerszámok rendkívül veszélyesek lehetnek szakképzetlen felhasználók kezében.
- e) **Tartsa karban az elektromos szerszámokat. Ellenőrizze, hogy a mozgó alkatrészek nem állítottak-e el vagy nem szorulnak-e, nincse-**

- nek-e a szerszámon törött alkatrészek, és nem állnak-e fenn olyan körülmények, amelyek befolyásolhatják a szerszám működését. Ha az elektromos szerszám sérült, használat előtt javíttassa meg. A nem megfelelően karbantartott lektromos szerszámok számos balesetet okoznak.
- f) **Tartsa élesen és tisztán a vágószerszámokat.** A megfelelően karbantartott, éles vágószerszámok beszorulásának kisebb a valószínűsége, ráadásul könnyebben irányíthatók.
- g) **Az elektromos szerszámot, tartozékokat és számszárakat stb. a használati útmutatónak megfelelően használja, a munkakörülmények és az elvégzendő feladat figyelembevételével.** Ha az elektromos gépet a rendeltetési céljától eltérően használják, ez veszélyhelyzetet teremthet.
- h) **Tartsa a fogantyúkat és egyéb markolási felületeket szárazon, tisztán, olajtól és zsírtól mentesen.** Váratlan helyzetekben a csúszós fogantyúk és egyéb markolási felületek akadályozzák a szerszám biztonságos kezelését és irányítását.
- 5) Az akkumulátoros szerszám használata és ápolása**
- a) **Újratöltéshez csak a gyártó által megjelölt töltőt használja.** Az a töltő, amely alkalmas egy bizonyos típusú akkumulátor töltésére, másik típusú akkumulátornál tűzveszélyt okozhat.
- b) **Csak a kifejezetten hozzájuk készült akkumulátorral használja az elektromos szerszámokat.** Bármilyen másfajta akkumulátor használata tűz- és balesetveszélyt idézhet elő.
- c) **Amikor az akkumulátor nincs használatban, óvja olyan más fém tárgytól, mint a gémkapocs, a pénzérme, kulcs, szög, csavar és más kis fém tárgyak, amely a két kapcsot össze képes kötni.** Az akkumulátor kapcsok rövidre zárása égési sérülést vagy tüzet okozhat.
- d) **Nem előírászerű körülmények között az akkumulátorból folyadék szivároghat; kerülje a vele való érintkezést. Ha véletlenül mégis a bőrre kerül, vízzel öblítse le. Ha a folyadék szembe kerül, forduljon orvoshoz.** Az akkumulátorból származó folyadék bőrizgató hatású, égési sérülést is okozhat.
- e) **Sérült vagy átalakított akkucsomagot és szerszámot ne használjon.** A sérült vagy átalakított akkumulátorok kiszámíthatatlanul viselkedhetnek, tüzet, robbanást vagy sérülést okozhatnak.
- f) **Tűztől és szélsőséges hőmérséklettől óvja az akkucsomagot és a szerszámot.** Ha tűznek vagy 130 °C-on felüli hőmérsékletnek teszi ki, robbanást okozhat. MEGJEGYZÉS: a „130 °C” „265 °F”-nak (Fahrenheit foknak) felel meg.
- g) **Tartsa be a töltésre vonatkozó összes utasítást, és ne töltsen az akkucsomagot vagy a szerszámot a kezelési útmutatóban megadott tartományon kívül eső hőmérséklet mellett.** Nem megfelelő vagy a megadott tartományon kívüli hőmérséklet mellett történő töltés károsíthatja az akkumulátort, és tűzveszéllyel jár.
- 6) Szerviz**
- a) **Az elektromos szerszámot képzett javító szakemberrel javíttassa, csakis az eredetivel azonos pótalkatrészeket használjon fel.** Ez biztosítja, hogy az elektromos szerszám továbbra is biztonságos maradjon.
- b) **Sérült akkucsomagot soha ne szervizeljen.** Akkucsomagok szervizelését csak a gyártó vagy annak megbízott szolgáltatója végezheti.

TERMÉKSPECIFIKUS BIZTONSÁGI UTASÍTÁSOK

- a) **Ezt az elektromos szerszámot köszörülésre, csiszolásra, drótkéfézésre, polírozásra, faragásra és darabolásra tervezték. Ismerje meg az elektromos géphez biztosított minden figyelmeztetést, utasítást, ábrát és műszaki adatot.** Az alábbiakban felsorolt utasítások figyelmen kívül hagyása áramütést, tüzet és/vagy súlyos sérülést okozhat.
- c) **Csak kifejezetten a termékhez készült vagy a gyártó által ajánlott tartozékokat használjon.** Attól, hogy valamely tartozék felhelyezhető az elektromos szerszámára, még nem jelenti, hogy biztonságos is a használata.
- d) **A köszörülőtartozékok névleges fordulatszáma legalább akkora legyen, mint az elektromos szerszámon megadott legnagyobb fordulatszám.** A névleges fordulatszámunknál gyorsabban forgó köszörülőtartozékok eltörhetnek és lerepülhetnek a gépről.
- e) **Csak olyan tartozékot szabad használni, amelynek külső átmérője és vastagsága az elektromos szerszám terhelhetőségi értékein belül van.** A nem megfelelő méretű tartozékokat nem lehet megfelelően irányítani.
- f) **Csak olyan korongot, csiszolóhengert vagy egyéb tartozékot szabad használni, amelynek a tengelymérete megfelelően illeszkedik az elektromos szerszám orsójához, illetve befogópat-**

- ronjához.** Az elektromos szerszám rögzítőszerelékéhez nem illő tartozékok kiegyensúlyozatlanul fognak működni és túlzottan fognak vibrálni, és még az elektromos szerszám feletti uralom elvesztését is eredményezhetik.
- g) **A tűskés rögzítésű korongokat, csiszolóhengereket, vágószerszámokat és egyéb tartozékokat teljesen be kell helyezni a befogópatronba, illetve a tokmányba.** Ha nem megfelelő a tűske rögzítése, és/vagy túl hosszú a korong túlnyúlása, a rögzített korong kilazulhat és nagy sebességgel kilökődhet.
- h) **Sérült tartozékot ne használjon. Használat előtt mindig vizsgálja meg, hogy a tartozékon (például a köszörűkorongon) nincs-e hasadás vagy repedés, a csiszolóhengeren nincs-e nyoma repedésnek, törésnek vagy erős kopásnak, a drótkéfe drótszájai nincsenek-e kilazulva vagy megrepedve. Ha az elektromos szerszám vagy valamelyik tartozéka leesett, ellenőrizze, hogy nem sérült-e meg, vagy szereljen fel másik, ép tartozékot. A tartozék vizsgálatát és felszerelését követően győződjön meg, hogy sem Ön, sem más nincs a forgó tartozék síkjában, és járassa az elektromos szerszámot egy percen keresztül a legnagyobb üresjárati sebességen.** Ha a tartozék sérült, ennyi idő alatt rendszerint széttörik.
- i) **Viseljen egyéni védőeszközt. Az adott munkától függően arcvédő pajzsot, biztonsági szemüveget vagy védőszemüveget használjon. Szükség esetén porvédő álarcot, hallásvédelmet, kesztyűt, valamint a kisebb csiszolóanyag darabkák és munkadarab forgácsok kivédésére alkalmas védőkötényt is viseljen.** A szemvédő eszköznek képesnek kell lennie megvédeni a szemet a különböző műveleteknél keletkező repülő törmeléktől. A pormaszknak vagy légzőkészüléknek ki kell szűrnie a munka közben keletkező részecskéket. Az erős zaj hosszabb idő alatt halláskárosodást tud okozni.
- j) **Gondoskodjon arról, hogy a munkavégzésben nem érintett személyek biztonságos távolságban maradjanak a munkaterülettől. A munkaterületen mindenkinek személyi védőfelszerelést kell hordania.** A munkadararól vagy az esetlegesen törött tartozékról kirepülő forgács a közvetlen munkaterületen túl is sérülést okozhat.
- k) **Az elektromos szerszámot csak a szigetelt markolati felületeinél tartsa, amikor olyan helyen végez munkát, ahol a vágószerszám rejtett vezetőket érhet.** Ha a vágószerszám feszültség alatt levő vezetékhez ér, a szerszám fém részei feszültség alá kerülnek, és a kezelőt áramütés érheti.
- l) **Az indítás során mindig tartsa erősen a szerszámot a kezében/kezeiben.** Amint a motor felgyorsul a teljes fordulatszámra, a közben fellépő reakciós nyomaték miatt elfordulhat a szerszám.
- m) **Lehetőség szerint támassza meg leszorítókkal a munkadarabot. Soha dolgozzon úgy a szerszámmal, hogy az egyik kezében egy kis munkadarabot tart, a másikban pedig a szerszámot.** Ha befogja a kis munkadarabot, a kezével/kezeivel jobban irányíthatja a szerszámot. A kör alakú anyagok (például tiplirudak vagy csövek) a vágás során hajlamosak forogni (gördülni), és ennek hatására megakadhat vagy a kezelő felé lökődhet a fej.
- n) **A zsinór mindig legyen távol a forgó tartozéktól.** Ha ugyanis elveszíti uralmát a gép felett, akkor előfordulhat, hogy a forgó tartozék elvágja vagy behúzza a csatlakozózsínort, amely aztán a kezét vagy karját is a forgó tartozéknak rántja.
- o) **Tilos az elektromos szerszámot letenni, amíg a tartozék forgása teljesen le nem állt.** Megtörténhet, hogy a forgó tartozék belemar a felületbe, és a gépet kirántja a kezéből.
- p) **A fejek cseréjét vagy bármilyen beállítás követően győződjön meg róla, hogy a befogópatron anyája, a tokmány, illetve bármely egyéb állítóeszköz biztonságosan meg van húzva.** Ha az állítóeszközök meg vannak lazulva, akkor váratlanul elmozdulhatnak, és ennek hatására a kezelő elveszítheti az uralmát a gép felett, a meglazult forgó alkatrészek pedig erősen lerepülhetnek a gépről.
- q) **Ne járassa az elektromos szerszámot, miközben azt a testén lógatva egyik helyről a másikra viszi.** Ha véletlenül hozzáér a forgó tartozékhoz, az elkaphatja a ruháját, és így a tartozék a testébe fúródhat.
- r) **Rendszeresen tisztítsa meg az elektromos szerszámon a szellőzőnyílásokat.** A motor ventilátor ugyanis beszívja a port a házba, a sok összegyűlt fémpor pedig villamosság szempontjából veszélyes helyzetet teremthet.
- s) **Ne használja az elektromos szerszámot gyúlékony anyagok közelében.** A szikrák tüzet okozhatnak.
- t) **Hűtőfolyadékot igénylő tartozékokat ne használjon.** A víz vagy más hűtőfolyadék használata áramütést okozhat.

Visszarúgás és a hozzá kapcsolódó figyelmeztetések

A visszarúgás a gép hirtelen reakciója a forgó csiszolókorong, csiszolóhengerek, kefe vagy egyéb tartozék megszorulására vagy elakadására. A megszorulás vagy elakadás hatására a forgó tartozék hirtelen leáll, a kezelő uralma alól kiszabadult elektromos szerszám pedig a tartozék forgásirányával ellentétes irányba lökődik.

Amikor például a köszörűkorong elakad vagy megszorul a munkadarabban, megtörténhet, hogy a korongnak a megszorulási ponton belépő pereme beleváj a munkadarab felületébe, amitől a korong kicsúszik vagy visszarúg. A tárcsa a kezelő irányába vagy ellentétes irányba is lökődhet, attól függően, hogy éppen milyen irányban mozog a korong az elakadási ponton. A csiszolótárcsa ilyen helyzetben könnyen el is törhet.

A visszarúgás minden esetben a villamos kéziszerszám rossz használatának, a nem megfelelő munkamódszernek vagy körülménynek a következménye, az alább felsorolt megfelelő óvintézkedésekkel elkerülhető.

- a) **Markolja meg erősen az elektromos szerszámot, és tartsa úgy a karját, illetve úgy álljon az elektromos szerszám mellett, hogy ellen tudjon állni a visszarúgás erejének.** A kezelő a visszarúgás erejét megfelelő óvintézkedésekkel le tudja győzni.
- b) **Legyen különösen óvatos a sarkoknál, éles széleken stb. Akadályozza meg, hogy a tartozék ide-oda ugráljon vagy befeszüljön.** A sarkok, éles peremek vagy a gép ugrálása miatt a forgó tartozék könnyen megszorul, amitől a gépkezelő elveszítheti uralmát a gép felett vagy a gép visszarúghat.
- c) **Ne csatlakoztasson fogazott fűrészkorongot.** Ilyen szerszámok gyakran váltanak ki visszarúgást vagy a gép feletti uralom elvesztését.
- d) **Mindig ugyanolyan irányba vezesse be a fejet az anyagba, mint amerre a vágóél kilép az anyagból (ez pedig megegyezik a forgácskirepülés irányával).** Ha nem megfelelő irányban vezet be a szerszámot, a fej vágóéle kiugrik a munkadarabból, és a szerszám a bevezetési irány felé lökődik.
- e) **Forgószelők, vágókorongok, nagy sebességű vágóeszközök vagy volfrám-karbid vágóeszközök használata esetén mindig fogja be biztonságosan a munkadarabot.** Ha ezek a korongok akár csak kicsit is megdőlnek oldalra a horonyban, akkor belemarnak az anyagba, ami

visszarúgást eredményezhet. Amikor egy vágókorong bemarkol, maga a korong általában eltörik. Amikor egy forgószelő, egy nagy sebességű vágóeszköz vagy egy volfrám-karbid vágóeszköz bemarkol, akkor kiugorhat a horonyból, és emiatt Ön elveszítheti az uralmat a szerszám felett.

TOVÁBBI BIZTONSÁGI UTASÍTÁSOK KÖSZÖRÜLÉSI ÉS DARABOLÁSI MŰVELETEKHEZ

Köszörülési és daraboló köszörülési műveletekhez kapcsolódó biztonsági figyelmeztetések:

- a) **Csak az elektromos szerszámmal ajánlott típusú korongokat használja, és azokat is csak az ajánlott felhasználási célokra. Tilos például köszörülni a daraboló köszörűkorong oldalával.** A daraboló köszörűkorong kerületi csiszolásra, köszörülésre szolgál, a korongra oldalirányban ható erőktől viszont darabokra törhet.
- b) **Menetes csiszolóképek és -hengerek esetén kizárólag alászűrő nélküli karimájú, megfelelő méretű és hosszúságú, sértetlen korongtűskéket használjon.** A megfelelő tűskékkel csökkenthető a törés valószínűsége.
- c) **Ne „erőltesse” a daraboló köszörűkorongot, és ne gyakoroljon rá túlságosan nagy nyomást. Ne próbáljon túlságosan mélyen vágni vele.** A túl nagy erőhatás fokozza a korong terhelését, növelve a korong vágatba szorulásának, görbülésének esélyét, ami visszarúgáshoz vagy korongtöréshez is vezethet.
- d) **Soha ne tegye a kezét a forgó koronggal egy vonalba vagy a forgó korong mögé.** Amikor a korong a műveletvégzés pontjában éppen távolodik a kezelő kezétől, egy esetleges visszarúgáskor a forgó korong és az elektromos szerszám egyenesen a gépkezelő felé fog lökődni.
- e) **Ha a korong megszorul vagy megakad, vagy valamilyen okból meg kell szakítani a vágást, akkor az elektromos szerszámot kapcsolja ki, majd tartsa mozdulatlanul, amíg a korong forgása teljesen le nem áll. A még forgó korongot ne próbálja kiemelni a vágatból, mert visszarúgás következhet be.** Derítse ki, mi okozza a korong megszorulását vagy elakadását, és szüntesse meg az okot.
- f) **A vágást ne indítsa újra úgy, hogy a korong a munkadarabban van. Várjon, amíg a korong elér teljes fordulatszámát, majd óvatosan engedje vissza a vágatba.** A korong beköthet, felfelé kicsúszhat vagy visszarúghat, ha a munkadarabban indítja újra az elektromos szerszámot.

- g) **A megszorulás és visszarúgás esélyét minimálisan csökkentheti a panelek és a túlméretes munkadarabok megtámasztásával.** A nagy méretű munkadarabok hajlamosak megereszkedni saját súlyuk alatt. A korong mindkét oldalán, a vágás vonalának közelében és a munkadarab széléhez közel is helyezzen el támasztékokat.
- h) **Legyen különösen óvatos, ha bemélyedést vág meglévő falba vagy egyéb vakterületekre.** A kiálló koronggal belevághat a gáz- és vízvezeték csövekbe, elektromos vezetékbe vagy más tárgyba, ami visszarúgást okozhat.

TOVÁBBI BIZTONSÁGI UTASÍTÁSOK DRÓTKÉFÉS MŰVELETEKHEZ

A drótképes műveletekhez kapcsolódó biztonsági figyelmeztetések:

- a) **Ne feledje, hogy a drótkéfe még normál működés közben is kilövell magából sörtéket. Ne terhelje túl a keféet, máskülönbén a drótokat túlzott feszültség éri.** A drótsörték könnyen behatolhatnak a vékony ruha és/vagy akár a bőr alá is.
- b) **Használat előtt hagyja legalább egy percig járni a keféket üzemi fordulatszámom. Ezen időszak alatt senkinek sem szabad a kefével egyvonalban vagy a kefe előtt tartózkodnia.** A bejáratási időszak alatt a meglazult sörték vagy drótok lerepülnek a keféről.
- c) **Úgy irányítsa a szerszámot, hogy a forgó drótkéferől ne Ön felé repüljenek le a darabok.** Ezen kefék használata során nagy sebességgel lerepülhetnek kis részecskék vagy apró drótdarabok, és ezek beágyazódhatnak az Ön bőrébe.

A TÖLTŐRŐL

Rendeltetése

Csak az újratölthető akkucsomagokat szabad tölteni. Másfajta elemek használata személyi sérülést és károkat okozhat.

- a) **A készüléket csökkent fizikai, érzékszervi vagy szellemi képességű személyek (gyermeket is ideértve), valamint megfelelő tapasztalattal és tudással nem rendelkező személyek csak akkor használhatják, ha közben felügyelik őket vagy előzőleg ellátják őket a megfelelő utasításokkal**
- b) **Figyelni kell, nehogy a gyerekek játszanak a készülékkel**
- c) **Nem újratölthető elemek újratöltésével próbálkozni tilos!**
- d) **Az akkumulátorok töltését jól szellőző helyen kell végezni!**

- e) **A beépített akkumulátorokat kiselejtezőskor csak képzett szakember szerelheti ki.** A házburkolat felnyitása az elektromos szerszám használatatlanná válását eredményezheti. Ha szeretné eltávolítani az akkumulátort az elektromos szerszámból, nyomja meg az On/Off főkapcsolót (5), amíg az akkumulátor teljesen ki nem jön. Hajtsa ki a házon található csavarokat, majd távolítsa el a házburkolatot, hogy kivehesse az akkumulátort. A rövidzárlat megelőzése érdekében egyesével válassza le az akkumulátor csatlakozóit, majd szigetelje a pólusokat. Az akkumulátorban még akkor is valamennyi töltés (maradékcapacitás), amikor teljesen le van merülve, és a töltés rövidzárlat esetén felszabadulhat.

Elektromos biztonság

Villamos kiegészítők használatakor mindig tartsa be az adott ország tűz és áramütés elleni és egyéb balesetek elkerülését célzó szabályokat. Olvassa el a következő biztonsági utasításokat.



Mindig ellenőrizze, hogy a szerszám adattábláján megadott feszültség megfelel-e az áramforrás feszültségének.



A gépe kettős szigetelésű, ezért nincs szükség földvezetékre.

2. A GÉP ADATAI

Rendeltetése

Ezt az elektromos szerszámot köszörülésre, csiszolásra, drótkéfézésre, polírozásra, faragásra és darabolásra terveztük. Ezzel a kombinált szerszámmal kiválóan munkálhatók meg a fából, műanyagból, kőből, alumíniumlemezről, sárgarézről vagy acélból készült munkadarabok. Minden esetben a megfelelő tartozékokat használja a megfelelő fordulatszám-beállításokkal.

MŰSZAKI ADATOK

Modellazonosító	CT503DC
Újratölthető akkumulátor	4 V, li-ion, 600 mAh
Töltési idő	2 óra
Maximális korongátmérő	Ø35 mm
Maximális fúrásátmérő	Ø2,3 mm
Üresjárat fordulat/szám	5000/10000/15000/perc
A rugós tokmány kapacitása	2,3 mm

Súly	0,1 kg
Lpa (hangnyomásszint)	79+3 dB(A)
Lwa (hangteljesítményszint)	90+3 dB(A)
Rezgés	1,177+1,5 m/s ²

Rezgés értékek

A használati útmutatóban megadott rezgés kibocsátási értékek mérése az EN 60745 szabvány szerinti egységesített eljárással történt; az értékek használható gépek összehasonlítására és a munkavégzés közbeni rezgés terhelés előzetes megbecslésére az adott alkalmazási területen.

- ha a szerszámot más területen használják vagy más vagy rossz karban tartott tartozékkal, a rezgés terhelés jelentősen.
- azok az időtartamok, amely alatt a gép üresen jár vagy áll, jelentősen csökkenthetik a tényleges terhelést.

Védje magát a rezgés hatásától, tartsa karban a gépet és a tartozékokat, melegítsen be és szervezze meg okosan a munkáját.

LEÍRÁS

Az alábbi szövegbeli számok a 2-4 oldal képeire utalnak

1. Tokmány
2. Tengelyrögzítés
3. Főkapcsoló és sebességállító gomb
4. Fordulatszámjelző lámpák
5. Töltésjelző lámpa
6. Töltőkábel

3. ÖSSZESZERELÉS



Mielőtt bármilyen tartozékot rögzít, mindig győződjön meg róla, hogy a gép ki van kapcsolva.



Figyelmeztetés! A kiugrás és az egyenetlen működés esélyének minimalizálása érdekében a tartozékcseré során a lehető legmélyebbre helyezze be a tartozékot a befogópatronba (vagy a tokmányba).

Tartozékok felszerelése (B ábra)

Nyomja meg a tengelyrögzítő gombot (2) és tartsa meg így. Csavarja le kézzel a tokmányt (1) Tegye be a helyére a tartozékot. Nyomja a tengelyrögzítő gombot (2) a tokmány (1) rögzítése közben.



Amikor jár a motor, ne nyomja meg a tengelyrögzítő gombot.

4. HASZNÁLAT

A gépet a főkapcsoló gomb (3) megnyomásával kapcsolja be. Ha a főkapcsoló gombot (3) másodszor is megnyomja, akkor a gép módosítja a sebességet 2, a harmadszori megnyomása a gép módosítja a sebességet 3. A főkapcsoló gomb (3) negyedik megnyomására a gép kikapcsol. Ne tegye le a gépet, amíg a motor még jár. A gépet ne tegye le poros felületre. A porrészeccskek bejuthatnak a szerkezetbe.



Ha kis fordulatszámon túl nagy terheléssel próbálja használni a kombinált szerszámot, leéghet a motor.

Az akkumulátort első használat előtt először fel kell tölteni.

Az eszköz töltése (a töltővel)

- Csatlakoztassa a töltőkábelt (6) (mellékelve a termékhez) egy adapterhez (nem része a csomagynak).
- Csatlakoztassa a töltőkábelt (6) a géphez. (J ábra)
- Dugja a töltő dugót villamos aljzatba és várjon. A töltésjelző lámpa (5) világitani kezd, és jelzi a töltési állapotot.

LED	Töltés állapot
Piros	Akkumulátor töltődik
Zöld	Akkumulátor töltése kész, teljesen feltöltődött.

- Az akkumulátor teljes feltöltése után húzza ki a töltődugót az aljzattól, és húzza ki a kis dugót az eszközből.

A szerszám tartása és irányítása (C ábra)

- Precíziós munka esetén (gravírozás): ceruzás fogás (C1)
- Nagyolómunka esetén (köszörülés): konyhakésses fogás (C2)
- Ha a munkafelülettel párhuzamosan kell tartania a szerszámot (például darabolókorong használat esetén): 2-kezes golfütős fogás (C3)

A kombinált szerszám és tartozékainak optimális használata (A ábra)

A tartozékok optimális használata érdekében a megfelelő fordulatszámot alkalmazza. Az alábbi „Ajánlott fordulatszám-beállítás” összefoglaló segítségével meghatározhatja a megfelelő fordulatszámot a megmunkálandó anyag és a használni kívánt tartozék típusa alapján. Ezzel az összefoglalóval kiválaszthatja a megfelelő tartozékot és az optimális fordulatszámot is.

A 3 sebességjelző lámpa (4) megfelel az „Ajánlott fordulatszám-beállítás” összefoglalóban található 1-es, 2-es és 3-as számnak. Alternatív megoldásként úgy határozható meg a legjobban az egyes anyagokhoz való ideális fordulatszám, ha egy kis selejtdarabon teszteli azt.

AJÁNLOTT FORDULATSZÁM-BEÁLLÍTÁS

Köszörűkövek (D ábra)

Anyag	Fordulatszám-beállítás
Kő, lap	1-2
Acél	2-3
Alumínium, sárgaréz	2
Műanyag	1-2

Filckorongok és -hegy („E” ábra)

A filckorongokat, illetve a filchegyet fel kell csavarni a tuskére.

Anyag	Fordulatszám-beállítás
Acél	2-3
Alumínium, sárgaréz	2
Műanyag	2-3

Csiszolóhengerek és -korong (a csiszolókorong nem része a csomagnak) (F ábra)

Anyag	Fordulatszám-beállítás
Fa	3
Acél	1-2
Alumínium, sárgaréz	2
Műanyag	1-2

Sörtés kefe (G ábra)

Anyag	Fordulatszám-beállítás
Kő, lap	2
Alumínium, sárgaréz	2

Nagy sebességű vágóeszköz, gyémánt gravírozófej és fúrószár (H ábra)

Anyag	Fordulatszám-beállítás
Kő, lap	3
Acél	2
Alumínium, sárgaréz	3
Műanyag	1-2

Dörztárcsa (nem része a csomagnak) (F ábra)

Anyag	Fordulatszám-beállítás
Acél	2-3
Alumínium, sárgaréz	2
Műanyag	1-2

5. KARBANTARTÁS



Amikor a motoron karbantartási munkát szeretne végezni, előbb győződjön meg róla, hogy a gép nincs feszültség alatt.

A motor túlmelegedésének a megelőzése érdekében tartsa tisztán a gép szellőzőnyílásait. Rendszeresen tisztítsa meg a gép házát egy puha törlőkendővel, lehetőleg minden egyes használat után. Ügyeljen rá, hogy a szellőzőnyílásokon ne legyen por vagy kosz. Ha a kosz másképp nem jön le, használjon egy szappanos vízzel átnedvesített puha törlőkendőt. Soha ne használjon oldószereket (például benzint, alkoholt, ammóniás vizet stb.), mert ezek károsíthatják a műanyag alkatrészeket. Kérjük, használat után azonnal tisztítsa meg a szerszámot.

KÖRNYEZETVÉDELEM



A sérült és/vagy kiselejtezett elektromos vagy elektronikus eszközöket az erre a célra szolgáló újrahasznosító központokba kell vinni.

Csak EU országokban

Elektromos szerszámot ne dobjon a háztartási hulladékba. Az elektromos és elektronikai hulladékokra vonatkozó, 2012/19/EK európai irányelv és annak a nemzeti törvénykezésbe történő átültetése értelmében az elhasznált elektromos készülékeket külön kell gyűjteni és környezetbarát módon kell ártalmatlanítani.

JÓTÁLLÁS

A VONROC termékei a legmagasabb minőségi normák szerint készülnek, és az eredeti vásárlás napjától számított, törvényileg előírt időtartamig garantáljuk, hogy anyag- és gyártási hibáktól mentesen fognak működni. Ha a termékben ezen időszak alatt bármilyen hiba jelentkezik anyag- és/vagy gyártási hiba miatt, kérjük, forduljon közvetlenül az Ön VONROC kapcsolattartójához.

A szavatosság nem érvényes a következő körülmények egyikére sem:

- Nem hivatalos szervizközpontok javítást vagy módosítást végeztek (vagy megkíséreltek javítást vagy módosítást végezni) a gépen;
- Normál elhasználódás és kopás;
- A szerszámot erőszakosan vagy nem rendeltetésszerűen használták, vagy a karbantartása nem volt megfelelő;
- Nem eredeti pótalkatrészeket használtak.

A jelen garancia a vállalat által (akár kifejezetten, akár hallgatólagosan) biztosított kizárólagos garancia. Nem léteznek olyan egyéb garanciák (sem kifejezett, sem hallgatólagos garanciák, beleértve az értékesíthetőségre és az adott célra való alkalmasságra vonatkozó hallgatólagos garanciákat is), amelyek a jelen garancia hatókörén túlmutatnak. A VONROC semmilyen esetben sem felelős semmilyen járulékos vagy következményes kárért. A forgalmazók jogorvoslati teendői az előírásoknak nem megfelelő egységek vagy alkatrészek javítására és cseréjére korlátozódnak.

A termék és a használati útmutató változtatásának jogát fenntartjuk. A műszaki adatok előzetes bejelentés nélkül változhatnak.

1. BEZPEČNOSTNÍ POKYNY

Přečtete si přiložené bezpečnostní výstrahy, dodatečné bezpečnostní výstrahy a bezpečnostní pokyny. Nebudete-li dodržovat tyto bezpečnostní výstrahy a pokyny, může dojít k úrazu elektrickým proudem, k vzniku požáru nebo k vážnému zranění. Ušchovejte tyto bezpečnostní výstrahy a pokyny pro budoucí použití.

V tomto návodu k obsluze a na tomto výrobku jsou použity následující symboly:



Upozorňuje na nebezpečí zranění osob, ztráty života nebo poškození náradí, nebudou-li dodržovány pokyny uvedené v tomto návodu.



Riziko úrazu způsobeného elektrickým proudem



Plynulá regulace otáček



Pouze pro použití v interiéru



Používejte ochranu zraku a sluchu



Používejte masku proti prachu



Je-li motor v chodu, netiskněte zajišťovací tlačítko hřídele.



Výrobek třídy II – Dvojitá izolace – Není nutné použití uzemňovacího vodiče.



Maximální teplota 40 °C



Nevhazujte akumulátor do ohně



Nevhazujte akumulátor do vody



Nelikvidujte tento výrobek do nevhodného kontajneru.



Použijte tříděný odpad pro akumulátory Li-Ion.



Tento výrobek byl vyroben v souladu s platnými bezpečnostními normami, které jsou uvedeny ve směrnicih EU.

ZÁKLADNÍ BEZPEČNOSTNÍ VÝSTRAHY PRO ELEKTRICKÉ NÁŘADÍ



VAROVÁNÍ! *Přečtěte si všechny bezpečnostní výstrahy a všechny pokyny. Nebudete-li dodržovat tyto bezpečnostní výstrahy a pokyny, může dojít k úrazu elektrickým proudem, k vzniku požáru nebo k způsobení vážného zranění.*

Uschovejte všechny bezpečnostní výstrahy a pokyny pro budoucí použití.

Termín elektrické nářadí v těchto varováních odkazuje na elektrické nářadí napájené z elektrické sítě (s napájecím kabelem) nebo z akumulátoru (bez napájecího kabelu).

1) Bezpečnost pracovního prostoru

- Udržujte pracoviště uklizené a dobře osvětlené.** Neuklizená nebo tmavá místa přivolávají nehody.
- Nepoužívejte elektrická nářadí ve výbušných prostředích, jako jsou místa s přítomností hořlavých kapalin, plynů nebo prachu.** V elektrickém nářadí dochází k jiskření, které může způsobit vznícení prachu nebo výparů.
- Při práci s tímto elektrickým nářadím udržujte děti a okolostojící osoby v bezpečné vzdálenosti.** Rozptylování může způsobit ztrátu kontroly nad nářadím.

2) Elektrická bezpečnost

- Zástrčka napájecího kabelu nářadí musí odpovídat zásuvce. Zástrčku nikdy žádným způsobem neupravujte. Nepoužívejte u uzemněného elektrického nářadí žádné adaptéry zástrček.** Neupravené zástrčky a odpovídající zásuvky budou snižovat riziko úrazu elektrickým proudem.
- Vyvarujte se kontaktu s uzemněnými povrchy, jako jsou potrubí, radiátory, trouby a ledničky.** Dojde-li k uzemnění vašeho těla, hrozí zvýšené riziko způsobení úrazu elektrickým proudem.
- Nevystavujte elektrické nářadí dešti ani vlhkému prostředí.** Dostane-li se do elektrického nářadí voda, zvýší se riziko úrazu elektrickým proudem.
- Nezacházejte špatně s napájecím kabelem. Nikdy nepoužívejte napájecí kabel pro přenášení nebo tahání elektrického nářadí a netahejte za tento kabel při odpojování zástrčky od zásuvky. Dbejte na to, aby tento kabel nepřecházel přes horké a mastné povrchy nebo přes ostré hrany, a aby se nedostal do kontaktu s pohyblivými se**

díly. Poškozené nebo zamotané kabely zvyšují riziko úrazu elektrickým proudem.

- Používáte-li elektrické nářadí venku, použijte prodlužovací kabel vhodný pro venkovní použití.** Použití prodlužovacího kabelu pro venkovní použití snižuje riziko úrazu elektrickým proudem.
- Musíte-li používat toto elektrické nářadí ve vlhkém prostředí, používejte v elektrickém obvodu proudový chránič (RCD).** Použití proudového chrániče (RCD) snižuje riziko úrazu elektrickým proudem.

3) Bezpečnost osob

- Při práci s tímto elektrickým nářadím buďte stále pozorní, sledujte, co provádíte, a používejte zdravý rozum. Nepoužívejte elektrické nářadí, jste-li unaveni nebo jste-li pod vlivem drog, alkoholu nebo léků.** Nepozornost při práci s elektrickým nářadím může vést k velmi nebezpečným zraněním.
- Používejte osobní ochranné prostředky. Vždy používejte ochranu zraku.** Ochranné prostředky, jako jsou maska proti prachu, neklouzavá pracovní ochranná obuv, pevná přilba nebo chrániče sluchu, které jsou používány v příslušných podmínkách, zmenšují riziko způsobení zranění osob.
- Zabraňte náhodnému spuštění nářadí. Před připojením elektrického nářadí k napájecímu zdroji nebo před vložením akumulátoru do nářadí, před zvednutím nářadí nebo před jeho přenášením se ujistěte, zda je spínač nářadí v poloze vypnuto.** Přenášení elektrického nářadí s prstem na spouštěcím spínači nebo připojení elektrického nářadí ke zdroji elektrické energie, je-li spouštěcí spínač v poloze zapnuto, zvyšuje pravděpodobnost vzniku nehod.
- Před zapnutím elektrického nářadí vždy odstraňte všechny klíče a seřizovací přípravky.** Klíče nebo seřizovací přípravky ponechané na rotující části elektrického nářadí mohou způsobit zranění osob.
- Nepřeceňujte své síly. Vždy udržujte správný postoj a rovnováhu.** Tak si zachováte lepší kontrolu nad nářadím v neočekávaných situacích.
- Vhodně se oblékejte. Nenoste volný oděv nebo šperky. Udržujte vlasy, oblečení a rukavice v bezpečné vzdálenosti od všech pohyblivých částí.** Volný oděv, šperky nebo dlouhé vlasy mohou být zachyceny pohyblivými se díly.

- g) **Jsou-li zařízení vybavena adaptérem pro připojení odsávacího systému, ujistěte se, zda je odsávací zařízení správně připojeno a zda správně plní svoji funkci.** Použití odsávání prachu může snížit rizika spojená prací v prašném prostředí.
- h) **Nedovolte, aby jistota získaná častým používáním nářadí vedla ke snížení vaší pozornosti a ignorování zásad bezpečné práce s nářadím.** Chvilková nepozornost může během zlomku sekundy způsobit vážné zranění.
- 4) Použití elektrického nářadí a jeho údržba**
- a) **Nepřetěžujte elektrické nářadí. Používejte pro prováděnou práci správné elektrické nářadí.** Správné elektrické nářadí provede práci lépe a bezpečněji, je-li použito pro práce, pro které je určeno.
- b) **Nepoužívejte elektrické nářadí, nepracuje-li správně jeho spouštěcí spínač.** Nemůžete-li elektrické nářadí ovládat pomocí spouštěcího spínače, takové nářadí je velmi nebezpečné a musí být opraveno.
- c) **Před prováděním jakéhokoliv seřízení, před výměnou příslušenství nebo před uložením odpojte napájecí kabel nářadí od napájecího zdroje nebo z nářadí vyjměte akumulátor.** Tato preventivní bezpečnostní opatření snižují riziko náhodného spuštění elektrického nářadí.
- d) **Uložte nepoužívané elektrické nářadí mimo dosah dětí a nedovolte osobám, které nejsou obeznámeny s tímto nářadím nebo s těmito pokyny, aby toto elektrické nářadí používaly.** Elektrické nářadí je v rukách neproškolených osob nebezpečné.
- e) **Provádějte údržbu elektrického nářadí. Zkontrolujte vychýlení nebo zablokování pohyblivých částí, poškození dílů a stavy nářadí, které by mohly mít vliv na správnou funkci nářadí. Je-li elektrické nářadí poškozeno, před použitím zajistěte jeho opravu.** Mnoho nehod bývá způsobeno nedostatečnou údržbou elektrického nářadí.
- f) **Udržujte řezné nástroje ostré a čisté.** U správně udržovaných řezných nástrojů s ostrými řeznými bity je menší pravděpodobnost jejich zablokování a lépe se s nimi pracuje.
- g) **Používejte elektrické nářadí, příslušenství, pracovní nástroje atd. v souladu s těmito pokyny a berte v úvahu pracovní podmínky a práci, která má být provedena.** Použití elektrického nářadí pro operace, pro které není určeno, může vést k nebezpečným situacím.
- h) **Dbejte na to, aby byly rukojeti a úchopné povrchy suché, čisté a zbavené olejů a maziv.** Kluzké rukojeti a plochy pro úchop neumožňují bezpečnou manipulaci a ovládání nářadí v neočekávaných situacích.
- 5) Použití a údržba akumulátorového nářadí**
- a) **K nabíjení používejte výhradně nabíječku předepsanou výrobcem.** Nabíječka vhodná pro jeden typ akumulátoru může způsobit požár při vložení jiného, nevhodného typu.
- b) **Používejte elektrické nářadí pouze s předepsanými akumulátory.** Použití jiných typů akumulátoru může způsobit požár nebo zranění.
- c) **Když akumulátor nepoužíváte, uložte ho mimo dosah kovových předmětů, jako jsou kancelářské sponky, mince, klíče, hřebíky, šroubky nebo jiné malé kovové předměty, které by mohly zkratovat jeho kontakty.** Zkratování kontaktů akumulátoru může způsobit popáleniny nebo požár.
- d) **Za nevhodných podmínek může z akumulátoru unikat kapalina. Vyvarujte se kontaktu s touto kapalinou. Dojde-li k náhodnému kontaktu s touto kapalinou, zasažené místo omyjte vodou. Dostane-li se kapalina do očí, ihned si je vypláchněte vodou a vyhledejte lékařskou pomoc.** Unikající kapalina z akumulátoru může způsobit podráždění pokožky nebo popáleniny.
- e) **Nepoužívejte poškozený nebo upravený akumulátor či nářadí.** Poškozené nebo upravené akumulátory se mohou chovat nepředvídatelně, což může způsobit požár, výbuch nebo nebezpečí zranění.
- f) **Nevystavujte akumulátor a nářadí ohni ani nadměrným teplotám.** Vystavení účinkům ohně nebo teplot nad 130 °C může způsobit výbuch. POZNÁMKA: Teplota „130 °C“ odpovídá teplotě „265 °F“.
- g) **Dodržujte všechny pokyny pro nabíjení a nenabíjejte akumulátor ani nářadí mimo teplotní rozsah předepsaný v těchto pokynech.** Nesprávné nabíjení nebo nabíjení při teplotě mimo předepsaný rozsah může poškodit akumulátor a zvýšit nebezpečí vzniku požáru.
- 6) Servis**
- a) **Svěřte opravu svého elektrického nářadí pouze osobě s příslušnou kvalifikací, která bude používat výhradně originální náhradní díly.** Tím zajistíte bezpečný provoz tohoto elektrického nářadí.

- b) **Nikdy neopravujte poškozené akumulátorové moduly.** Opravy akumulátorů smí provádět výhradně výrobce nebo technik autorizovaného servisu.

SPECIFICKÉ BEZPEČNOSTNÍ POKYNY

- a) **Toto elektrické nářadí je určeno k používání jako bruska, drátěný kartáč, leštička, řezbářské nářadí nebo rozbrušovačka. Přečtěte si všechny bezpečnostní výstrahy, pokyny, ilustrace a technické údaje dodané s tímto elektrickým nářadím.** Nebude-li dodržovat všechny níže uvedené pokyny, může dojít k úrazu elektrickým proudem, k vzniku požáru nebo k způsobení vážného zranění.
- c) **Nepoužívejte příslušenství, které není konkrétně navrženo a doporučeno výrobcem tohoto nářadí.** Fakt, že příslušenství může být připevněno k vašemu nářadí, není zárukou jeho bezpečného použití.
- d) **Jmenovité otáčky brusného příslušenství musí minimálně odpovídat maximálním otáčkám uvedeným na štítku nářadí.** Brusné příslušenství otáčející se rychleji, než jsou jeho jmenovité otáčky, se může rozpadnout a rozletět na různé strany.
- e) **Vnější průměr a tloušťka vašeho příslušenství musí odpovídat kapacitě vašeho elektrického nářadí.** Příslušenství s nesprávnou velikostí nemůže být odpovídajícím způsobem ovládáno.
- f) **Velikost upínacích otvorů kotoučů, brusných válců nebo jakéhokoliv jiného příslušenství musí přesně odpovídat rozměrům vřetena nebo upínacího pouzdra tohoto elektrického nářadí.** Příslušenství, u kterých se neshodují montážní prvky, bude nevyváženě, bude nadměrně vibrovat a může způsobit ztrátu ovladatelnosti tohoto elektrického nářadí.
- g) **Kotouče, brusné válce, frézy a jiné příslušenství montované na upínací stopky musí být zcela zasunuty do upínacího pouzdra nebo do sklíčidla.** Není-li upínací stopka řádně upevněna nebo je-li přesah kotouče příliš velký, namontovaný kotouč se může uvolnit a může být vysokou rychlostí odmrštěn.
- h) **Nepoužívejte poškozené příslušenství. Před každým použitím zkontrolujte příslušenství, jako jsou řezací kotouče, zda nejsou popraskány nebo jinak poškozeny, dále brusné válce, zda nejsou prasklé nebo nadměrně opotřebované a zda nejsou příliš uvolněny nebo ulámány dráty kartáče. Dojde-li k pádu elektrického nářadí nebo příslušenství, zkontrolujte, zda nedošlo k jejich poškození nebo použijte nepoškozené**

příslušenství. Po kontrole a instalaci příslušenství se postavte vy i ostatní osoby tak, abyste nestáli v ose rotace otáčejícího se příslušenství a uveďte elektrické nářadí na jednu minutu do maximálních otáček. Během této zkušební doby dojde u poškozeného příslušenství obvykle k jeho zničení.

- i) **Používejte osobní ochranné prostředky. Podle prováděné práce používejte obličejový štít a ochranné nebo bezpečnostní brýle. V závislosti na provozních podmínkách používejte masku proti prachu, ochranu sluchu, rukavice a dílenkou zástěru, která je schopná odolat odlétávajícím částicám materiálu.** Ochrana zraku musí být schopna zastavit odlétávající částičky materiálu vznikající při různých operacích. Masky proti prachu nebo respirátory musí být schopny filtrovat částičky vytvářené při prováděné práci. Dlouhodobé působení vysoké hluchnosti může způsobit ztrátu sluchu.
- j) **Udržujte okolo stojící osoby v bezpečné vzdálenosti od pracovního prostoru. Každá osoba vstupující do pracovního prostoru musí používat osobní ochranné prostředky.** Odlétávající fragmenty obrobku nebo úlomky příslušenství mohou způsobit zranění i mimo bezprostřední pracovní prostor.
- k) **Při provádění prací, během kterých se může pracovní nástroj dostat do kontaktu se skrytým elektrickým vedením, držte elektrické nářadí pouze za izolovaná místa určená pro úchop.** Pracovní příslušenství, které se dostane do kontaktu s „živým“ elektrickým vodičem, může způsobit, že nechráněné kovové části nářadí budou také „živé“, což by mohlo vést k úrazu obsluhy elektrickým proudem.
- l) **Při spuštění držte nářadí vždy pevně v ruce (v rukách).** Momentová reakce motoru při jeho zrychlování na maximální otáčky může způsobit krut nářadí.
- m) **Kdykoli je to možné, používejte k upnutí obrobku svorky. Při práci nikdy nedržte malý obrobek v jedné ruce a nářadí v druhé ruce.** Upnutí malého obrobku vám umožní používat vaše ruce pro ovládání nářadí. Kulaté materiály, jako jsou dřevěné tyče na kolíky, trubky nebo potrubí, mají tendenci se během řezání protáčet, a mohou tak způsobit zablokování nástroje nebo jeho odskočení směrem na vás.
- n) **Ved'te napájecí kabel tak, aby se nedostal do blízkosti rotujícího příslušenství.** Dojde-li k vaší nepozornosti, napájecí kabel může být přetržen

nebo může dojít k jeho zachycení a vaše ruce nebo paže může být vtažena do rotujícího příslušenství.

- o) **Nikdy elektrické nářadí nepokládejte, dokud se jeho pracovní příslušenství úplně nezastaví.** Rotující příslušenství se může zachytit o povrch, čímž může dojít k ztrátě kontroly nad nářadím.
- p) **Po výměně bitu nebo provedení jakéhokoliv nastavení se ujistěte, že je bezpečně utažena matice upínacího pouzdra, sklíčidlo nebo jiné seřizovací zařízení.** Uvolněná seřizovací zařízení se mohou neočekávaně posunout, mohou způsobit ztrátu kontroly a uvolněné rotující komponenty budou odmrštěny.
- q) **Přenášíte-li elektrické nářadí v ruce podél těla, nikdy jej nespouštějte.** Při náhodném kontaktu s rotujícím pracovním příslušenstvím, které by se mohlo zachytit o váš oděv, by mohlo dojít k vašemu zranění.
- r) **Pravidelně čistěte větrací otvory elektrického nářadí.** Ventilátor motoru bude nasávat prach do skříně motoru a nadměrné nahromadění kovového prachu uvnitř nářadí může způsobit závadu nebo úraz elektrickým proudem.
- s) **Nepoužívejte elektrické nářadí v blízkosti hořlavých materiálů.** Jiskry mohou způsobit vznícení těchto materiálů.
- t) **Nepoužívejte příslušenství vyžadující použití chladicí kapaliny.** Použití vody nebo jiné chladicí kapaliny může vést k smrtelnému nebo k závažnému zranění elektrickým proudem.

Zpětný ráz a příslušná varování

Zpětný ráz je náhlou reakcí na zaseknutí nebo zablokování rotujícího kotouče, brusného pásu, kartáče nebo jiného pracovního příslušenství. Zaseknutí nebo zablokování způsobí rychlé zastavení rotujícího příslušenství, což způsobí nekontrolovaný pohyb elektrického nářadí v opačném směru, než je směr otáčení příslušenství v místě jeho zablokování. Dojde-li například k zaseknutí nebo zablokování brusného kotouče v obrobku, část kotouče, která vniká do místa zablokování, se může zaryt do povrchu materiálu, což způsobí vyběhnutí nebo vyhození kotouče. Kotouč může vyskočit směrem k obsluze nebo směrem od obsluhy, v závislosti na směru pohybu kotouče v místě jeho zablokování. V takových situacích dochází také k prasknutí brusných kotoučů.

Zpětný ráz vzniká v důsledku nesprávného použití elektrického nářadí nebo v důsledku nesprávných provozních postupů či provozních podmínek a může

mu být zabráněno, budou-li dodržovány níže uvedené pokyny.

- a) **Stále udržujte pevný úchop elektrického nářadí a udržujte takovou polohu vašeho těla a paží, která vám umožní odolávat silám zpětného rázu.** Jsou-li zavedena správná opatření, obsluha může zvládat síly zpětného rázu.
- b) **Při práci v rozích nebo na ostrých hranách buďte velmi opatrní. Zabraňte odrážení a zachytávání pracovního příslušenství.** Rohy, ostré hrany nebo odsakování mají tendenci způsobovat zablokování rotujícího příslušenství a způsobují ztrátu ovladatelnosti nářadí nebo jeho zpětný ráz.
- c) **Nepoužívejte s tímto nářadím ozubené pilové kotouče.** Při použití těchto kotoučů dochází často k zpětným rázům a k ztrátě kontroly nad nářadím.
- d) **Vždy posouvejte pracovní nástroj do materiálu ve stejném směru, jakým vystupuje z materiálu pracovní hrana (což je stejný směr, jakým jsou odváděny třísky).** Posuv nářadí nesprávným směrem způsobuje stoupání pracovní hrany nástroje z obrobku a odtahování nářadí ve směru tohoto posuvu.
- e) **Jsou-li použity rotační frézy, rozbrušovací kotouče, vysokootáčkové frézy nebo frézy s destičkami karbidu wolframu, vždy zajistěte řádné a bezpečné upnutí obrobku.** Dojde-li k mírnému náklonu těchto pracovních nástrojů v zářezu, budou se zachytávat a mohou způsobovat zpětné rázy. Dojde-li k zablokování rozbrušovacího kotouče, obvykle se zlomí. Dojde-li k zablokování rotační frézy, rozbrušovacího kotouče, vysokootáčkové frézy nebo frézy s destičkami karbidu wolframu, mohou vyskočit ze zářezu a ztratíte kontrolu nad nářadím.

DALŠÍ BEZPEČNOSTNÍ POKYNY PRO BRUSNÉ A ROZBRUŠOVACÍ PRÁCE

Bezpečnostní výstrahy specifické pro brusné i řezné pracovní operace:

- a) **Používejte pouze typy kotoučů, které jsou doporučeny pro vaše elektrické nářadí a pouze pro doporučené aplikace. Například: Neprovádějte broušení boční plochou řezného kotouče.** Řezné kotouče jsou určeny pro obvodové broušení a boční síly působící na tyto kotouče mohou způsobit jejich roztříštění.
- b) **U brusných kuželů a válečků se závity používejte pouze nepoškozené upínací stopky s hladkou opěrnou přírubou, které mají správnou velikost**

- a **délku**. Správné upínací stopky snižují riziko možného zlomení.
- c) **Dbejte na to, aby nedošlo k zablokování řezného kotouče a nevyvíjejte na něj příliš velký tlak. Nepokoušejte se provádět řezání s příliš velkou hloubkou řezu.** Nadměrné namáhání takového kotouče zvětšuje jeho zatížení a jeho sklon ke kroucení nebo zasekávání v řezu a zvyšuje možnost zpětného rázu nebo rozlomení kotouče.
- d) **Nevkládejte ruku do osy kotouče nebo za rotující kotouč.** Pohybuje-li se kotouč v místě zablokování směrem od vaší ruky a dojde-li k zpětnému rázu, rotující kotouč a elektrické nářadí mohou být odhozeny přímo na vás.
- e) **Dojde-li z jakéhokoli důvodu k zablokování kotouče nebo k přerušení řezu, vypněte elektrické nářadí a držte toto nářadí bez pohybu, dokud nedojde k úplnému zastavení kotouče. Nikdy se nepokoušejte vyjmout řezný kotouč z řezu, je-li tento kotouč v pohybu, protože by mohlo dojít k zpětnému rázu.** Přezkoumejte situaci a proveďte opravnu akci, abyste eliminovali příčinu zablokování kotouče.
- f) **Nezahajujte znovu řez, nachází-li se kotouč v obrobku. Počkejte, dokud kotouč nedosáhne maximálních otáček a opatrně jej zaveďte do řezu.** Dojde-li k opětovnému spuštění nářadí v řezu, kotouč se může zaseknout, vyskočit z řezu nebo může dojít k zpětnému rázu.
- g) **Rozměrné panely nebo příliš velké obrobky si podepřete, abyste minimalizovali riziko přivření kotouče a zpětného rázu.** Velké obrobky mají tendenci se působením vlastní hmotnosti prohýbat. Podpěry musí být umístěny pod obrobkem v blízkosti čáry řezu a v blízkosti okrajů obrobku na obou stranách kotouče.
- h) **Budte velmi opatrní při provádění ponorných řezů do stávajících stěn nebo do jiných ploch, za které nevidíte.** Přesahující část kotouče může přeřezat plynové nebo vodovodní potrubí, elektrické vedení nebo předměty, které mohou způsobit zpětný ráz.

DALŠÍ BEZPEČNOSTNÍ POKYNY PRO PRÁCE S DRÁTĚNÝM KARTÁČEM

Bezpečnostní varování specifická pro práce s drátěnými kotouči:

- a) **Uvědomte si, že z kartáče dochází k uvolňování jednotlivých štětin i při běžném provozu. Nepřetěžujte štětiny kartáče vyvíjením nadměrného tlaku na kartáč.** Štětiny drátěného kartáče

mohou snadnou proniknout oděvem nebo pokožkou.

- b) **Před použitím nechte kartáče alespoň jednu minutu v chodu na maximálních otáčkách. Během této doby nesmí před kartáčem nebo v jeho ose stát žádné osoby.** Během této doby budou z kartáče odmršťovány uvolněné štětiny nebo dráty.
- c) **Nasměrujte odmršťované části z rotujícího drátěného kartáče směrem od vás.** Malé částičky a drobné fragmenty drátů mohou být při použití těchto kartáčů odmršťovány vysokou rychlostí a mohou pronikat do pokožky.

POKYNY PRO NABÍJEČKU

Zamýšlené použití

Nabíjejte pouze nabíjecí baterie (akumulátory). Ostatní typy akumulátorů mohou prasknout a způsobit zranění a poškození.

- a) **Tento výrobek není určen k použití osobami (včetně dětí) se sníženými fyzickými, smyslovými nebo duševními schopnostmi, nebo s nedostatkem zkušeností a znalostí, pokud nejsou pod dozorem nebo nebyly poučeny o správném používání**
- b) **Děti musí být pod dozorem, aby si s tímto nářadím nehrály**
- c) **Nenabíjejte baterie, které nejsou k nabíjení určeny!**
- d) **Během nabíjení musí být akumulátory umístěny na dobře větraném místě!**
- e) **Vestavěné akumulátory smí vyjmout za účelem likvidace pouze kvalifikovaná osoba.** Otevřením krytu pláště může dojít ke zničení elektrického nářadí.

Chcete-li vyjmout akumulátor z elektrického nářadí, podržte stisknuté tlačítko zapnuto/vypnuto (5), dokud se akumulátor zcela nevybije. Odšroubujte šrouby na plášti a sejměte kryt pláště, abyste mohli akumulátor vyjmout. Abyste předešli zkratu, odpojte konektory na akumulátoru jeden po druhém a poté izolujte póly. I po úplném vybití akumulátor stále obsahuje zbytkovou kapacitu, která se může uvolnit v případě zkratu.

Elektrická bezpečnost

Používáte-li elektrická zařízení, vždy dodržujte platné bezpečnostní předpisy, aby bylo omezeno riziko způsobení požáru, úrazu elektrickým proudem nebo zranění osob. Prostudujte si následující bezpečnostní pokyny.



Vždy zkontrolujte, zda se napájecí napětí sítě shoduje s napájecím napětím na výkonovém štítku.



Vaše nářadí je opatřeno dvojitou izolací, a proto není nutné použití uzemňovacího vodiče.

2. INFORMACE O ZAŘÍZENÍ

Použití v souladu s určením

Toto elektrické nářadí je určeno k tomu, aby bylo používáno jako bruska, drátěný kartáč, leštička, řezbářské nářadí nebo rozbrušovačka. Toto kombinované nářadí je ideální pro práce s materiály, jako jsou dřevo, plasty, kámen, hliník, mosaz a ocel. Vždy používejte správné příslušenství a vhodně nastavené otáčky.

TECHNICKÉ ÚDAJE

Model č.	CT503DC
Akumulátor	4 V Li-Ion 600 mAh
Doba nabíjení akumulátoru	2 hodiny
Maximální průměr kotouče	Ø35 mm
Maximální průměr vrtáku	Ø 2,3 mm
Otáčky naprázdno	5000/10000/15000/min
Kapacita sklíčidla	2,3 mm
Hmotnost	0,1 kg
Lpa (akustický tlak)	79 + 3 dB(A)
Lwa (akustický výkon)	90 + 3 dB(A)
Vibrace	1,177 +1,5 m/s ²

Úroveň vibrací

Deklarovaná úroveň vibrací uvedená v tomto návodu byla měřena v souladu se standardní zkušební metodou předepsanou normou EN 60745. Tato úroveň vibrací může být použita pro srovnání jednotlivých nářadí mezi sebou a také při předběžném posouzení působících vibrací při používání nářadí při uvedených aplikacích.

- použití tohoto nářadí pro jiné aplikace nebo s odlišným nebo špatně udržovaným příslušenstvím může značně zvýšit působení vibrací.
- doba, kdy je nářadí vypnuto nebo kdy je v chodu, ale aktuálně nevykonává žádnou práci, může působení vibrací značně zmírnit.

Chraňte se před působením vibrací prováděním řádné údržby tohoto nářadí i jeho příslušenství, udržujte ruce v teple a provádějte práci správným způsobem.

POPIS

Čísla v následujícím textu odkazují na obrázky na stranách 2 až 4.

1. Upínací sklíčidlo
2. Zajištění hřídele
3. Tlačítko zap/vyp a tlačítko nastavení rychlosti
4. Kontrolky otáček
5. Indikátor nabíjení
6. Kabel nabíječky

3. MONTÁŽ



Před montáží pracovního příslušenství se vždy ujistěte, zda je nářadí vypnuto.



Varování! Při výměně příslušenství zatlačte nové příslušenství do upínacího pouzdra (sklíčidla) co nejhlouběji, abyste minimalizovali jeho házení a nevyvážení.

Nasazení příslušenství (Obr. B)

Stiskněte a držte tlačítko zajištění hřídele (2). Manuálně povolte kleštinu (1). Vložte pracovní příslušenství na určené místo. Při utahování kleštiny (1) stiskněte tlačítko zajištění vřetena (2).



Je-li motor v chodu, netiskněte zajišťovací tlačítko hřídele.

4. OVLÁDÁNÍ

Zapněte nářadí stisknutím tlačítka zapnuto/vypnuto (3). Druhým stisknutím tlačítka zap/vyp (3) stroj nastaví rychlost 2, třetím stisknutím stroj nastaví rychlost 3. Čtvrtým stisknutím tlačítka zap/vyp (3) se stroj vypne. Nepokládejte nářadí, je-li motor ještě v chodu. Nepokládejte nářadí na zaprášený povrch. Do mechanismu by se mohly dostat částice prachu.



Příliš vysoké zatížení tohoto nářadí při nízkých otáčkách může způsobit přepálení jeho motoru.

Před prvním použitím musí být akumulátor nabit.

Nabíjení zařízení (pomocí nabíječky)

- Zapojte kabel nabíječky (6) (je součástí dodávky) do adaptéru (není součástí dodávky).
- Připojte kabel nabíječky (6) do zařízení. (obr. J)
- Připojte zástrčku nabíječky do elektrické zásuvky a chvíli počkejte. Kontrolka nabíječky (5) se rozsvítí a bude zobrazovat stav nabíjení.

LED	Stav nabíječky
Červená	Probíhá nabíjení akumulátoru
Zelená	Nabíjení akumulátoru dokončeno, akumulátor je zcela nabit

- Jakmile bude akumulátor zcela nabit, vypojte zástrčku kabelu nabíječky ze síťové zásuvky a odpojte malou zástrčku ze zařízení.

Držení a vedení nářadí (Obr. C)

- Pro přesné práce (rytecké práce): tužkový úchop (C1)
- Pro hrubé práce (broušení): nožový úchop (C2)
- Potřebujete-li nářadí udržovat v rovnoběžné poloze vzhledem k pracovnímu povrchu (například při použití rozbrušovacího kotouče): obě ruce a golfový úchop (C3)

Optimální použití kombinovaného nářadí a jeho příslušenství (Obr. A)

Používejte správné otáčky zaručující optimální použití příslušenství. Podle níže uvedeného přehledu „Doporučené nastavení otáček“ zvolte správné otáčky, vycházejte při tom z opracovávaného materiálu a typu použitého příslušenství. Tento přehled vám umožní provedení správné volby pracovního příslušenství a optimálních otáček.

3 kontrolky otáček (4) odpovídají číslům 1, 2 a 3 v přehledu „Doporučené nastavení otáček“. Nakonec nejlepším způsobem pro určení správných otáček pro práci s jakýmkoli materiálem, je provedení zkoušky na kousku odpadového materiálu.

DOPORUČENÉ NASTAVENÍ OTÁČEK

Brusná tělíska (Obr. D)

Materiál	Nastavení otáček
Kámen, zdivo	1-2
Ocel	2-3
Hliník, mosaz	2
Plast	1-2

Plstěné kotouče a tělíska (Obr. E)

Plstěný kotouč nebo plstěné tělísko je nutné našroubovat na upínací stopku.

Materiál	Nastavení otáček
Ocel	2-3
Hliník, mosaz	2
Plast	2-3

Brusné pásy a kotouče (brusný kotouč není součástí dodávky) (Obr. F)

Materiál	Nastavení otáček
Dřevo	3
Ocel	1-2
Hliník, mosaz	2
Plast	1-2

Štětinový kartáč (Obr. G)

Materiál	Nastavení otáček
Kámen, zdivo	2
Hliník, mosaz	2

Vysokorychlostní fréza, diamantový kotoučový hrot a vrták (Obr. H)

Materiál	Nastavení otáček
Kámen, zdivo	3
Ocel	2
Hliník, mosaz	3
Plast	1-2

Brusný kotouč (kotouč není součástí dodávky) (Obr. I)

Materiál	Nastavení otáček
Ocel	2-3
Hliník, mosaz	2
Plast	1-2

5. ÚDRŽBA



Před prováděním údržby motoru se ujistěte, zda je stroj odpojen od napájecího napětí.

Udržujte větrací drážky na zařízení čisté, abyste zabránili přehřátí motoru. Pravidelně čistěte kryt stroje měkkým hadrem, pokud možno po každém použití. Dbejte na to, aby nebyly větrací drážky zaneseny prachem a jinými nečistotami. Nemůžete-li nečistoty odstranit, použijte měkký hadřík navlhčený v mýdlovém roztoku. Nikdy nepoužívejte rozpouštědla, jako jsou benzin, líh, čpavek atd., protože tato rozpouštědla mohou poškodit plastové díly. Čistěte prosím toto nářadí ihned po použití.

OCHRANA ŽIVOTNÍHO PROSTŘEDÍ



Poškozená a likvidovaná elektrická nebo elektronická zařízení musí být odevzdána ve sběrných dvorech, které jsou určeny pro tento účel.

Pouze pro země EU

Nevyhazujte elektrická nářadí do běžného domácího odpadu. Podle evropské směrnice 2012/19/EU týkající se likvidace elektrických a elektronických zařízení a její implementace do vnitrostátního práva, musí být nepoužívaná elektrická nářadí shromažďována odděleně a jejich likvidace musí být provedena tak, aby nedošlo k ohrožení životního prostředí.

ZÁRUKA

Výrobky VONROC jsou vyvíjeny v souladu s požadavky norem na nejvyšší kvalitu a je zaručeno, že po dobu platné záruky, která začíná běžet dnem původního nákupu, nebudou na těchto výrobcích žádné vady materiálu, ani vady způsobené špatným dílenským zpracováním. Dojde-li během tohoto období k závadě v důsledku vady materiálu nebo dílenského zpracování, kontaktujte přímo firmu VONROC.

Z této záruky jsou vyloučeny následující případy:

- Opravy nebo úpravy tohoto zařízení byly provedeny nebo byly provedeny pokusy o jejich provedení v neautorizovaných servisech;
- Běžné opotřebování.
- Toto zařízení bylo nesprávně použito, nevhodně použito nebo nebyla prováděna jeho správná údržba;

- Byly použity neoriginální náhradní díly.

Výše uvedené představuje jedinou záruku poskytovanou společností, ať už výslovnou nebo předpokládanou. Neexistují žádné další záruky, výslovné ani nebo předpokládané, které přesahují rámec zde uvedeného, včetně předpokládaných záruk prodejnosti a vhodnosti pro určitý účel. VONROC v žádném případě neodpovídá za jakékoliv náhodné nebo následné škody. Opravné prostředky prodejce se omezují výhradně na opravu nebo výměnu nevhodujících jednotek nebo dílů.

Na tomto výrobku a v tomto návodu mohou být prováděny změny. Technické údaje mohou být změněny bez předchozího upozornění.

1. GÜVENLİK TALİMATLARI

Ekteki güvenlik uyarılarını, ilave güvenlik uyarılarını ve talimatları okuyun. Güvenlik uyarılarını ve talimatları izlememek elektrik çarpması, yangın ve/veya ciddi yaralanma ile sonuçlanabilir. Güvenlik uyarılarını ve talimatları ilerde bakmak üzere muhafaza edin.

Aşağıdaki semboller kullanıcı kılavuzunda veya ürün üzerinde kullanılmaktadır:



Bu kılavuzdaki talimatlara uymama durumunda bedensel yaralanma, can kaybı veya alete hasat riskini belirtir.



Elektrik çarpması riski.



Değişken hız kontrolü.



Yalnızca kapalı mekan kullanımı.



Kulak ve göz koruyucusu takın.



Bir toz maskesi takın.



Motor çalışırken mil kilidi düşmesine basmayın.



II. Sınıf makine - İkili yalıtım - İhtiyacınız yok topraklı fiş.



Maksimum sıcaklık 40° C.



Pili atese atmayın.



Pili suya atmayın.



Ürünü uygun olmayan kaplara atmayın.



Li-ion pil için ayrı toplama.



Ürün, Avrupa yönergelerindeki geçerli güvenlik standartlarına uygundur.

GENEL ELEKTRİK ALET GÜVENLİK UYARILARI



UYARI Tüm güvenlik uyarılarını ve tüm talimatları okuyun. Uyarılara uyulmadı ve talimatlar elektrik çarpmasına, yangına ve/veya ciddi yaralanmalara neden olabilir.

Tüm uyarıları ve talimatları gelecekte başvurmak üzere saklayın.

Uyarılardaki “elektrikli alet” terimi, şebeke elektrliği ile çalışan (kablolu) elektrikli alet veya pil ile çalışan (kablosuz) elektrikli alet anlamına gelir.

1) İş aşanı güvenliği

- İş alanını temiz ve aydınlık tutun.** Dağınık veya karanlık bölgeler, kazalara davetiye çıkarır.
- Elektrikli aletleri, yanıcı sıvıların, gazların veya tozun var olduğu patlayıcı atmosferlerde kullanmayın.** Elektrikli aletler, tozu veya dumanları ateşleyebilecek kıvılcımlar oluşturur.
- Bir elektrikli aleti kullanırken, çocukları ve çevredekileri uzak tutun.** Dikkatiniz dağılırsa kontrolü kaybedebilirsiniz.

2) Elektrik güvenliği

- Elektrikli alet fişleri, prize uygun olmalıdır. Fişi, hiçbir şekilde modifiye etmeyin. Topraklı elektrikli aletlerle, herhangi bir fiş adaptörü kullanmayın.** Modifiye edilmiş fişler ve buna uygun prizler, elektrik çarpması riskini azaltır.
- Borular, radyatörler, ocaklar ve buzdolapları gibi topraklı yüzeylerle temastan kaçının.** Eğer vücudunuz topraklanmışsa, elektrik çarpması riski daha fazladır.
- Elektrikli aletleri yağmura veya ıslaklığa maruz bırakmayın.** Bir elektrikli alete su girmesi durumunda, elektrik çarpması riski artacaktır.
- Kabloya kötü davranmayın. Kabloya taşıma amacıyla, elektrikli aleti ya da elektrikli aletin fişini çekmek için kullanmayın. Kabloyu ısıdan, yağdan, keskin kenarlardan ya da hareketli parçalardan uzak tutun.** Hasar görmüş ya da doğmuş kablolar, elektrik çarpması riskini artırır.
- Bir elektrikli aleti dış mekanlarda kullanırken, dış mekan kullanımına uygun bir uzatma kablosu kullanın.** Dış mekan kullanımına uygun bir kablo kullanıldığında, elektrik çarpması riski azalır.
- Elektrikli aleti nemli bir konumda çalıştırmak kaçınılmazsa, kaçak akım cihazı (RCD) korumalı bir kaynak kullanın.** RCD kullanımı elektrik çarpması riskini azaltır.

3) Kişisel güvenlik

- Elektrikli aleti kullanırken tetikte kalın, ne yaptığınıza dikkat edin ve sağduyulu davranın. Bir elektrikli aleti yorgun olduğunuzda ya da uyuşturucu, alkol veya ilaç etkisindeyken kullanmayın.** Elektrikli aleti kullanırken bir anlık dikkatsizlik ciddi kişisel yaralanmalara neden olabilir.

- b) **Kişisel koruyucu donanım kullanın. Her zaman göz koruması takın.** Uygun durumlar için kullanılan toz maskesi, kaymaz güvenlik ayakkabıları, baret veya kulak tıkaçı gibi koruyucu donanımlar, kişisel yaralanma riskini azaltacaktır.
- c) **Kasıtsız çalışmayı önleyin. Bir elektrik kaynağını ve/veya pil takımını bağlamadan, aleti kaldırmadan ya da taşımadan önce elektrikli aletin anahtarının kapalı durumda olduğundan emin olun.** Elektrikli aletleri parmağınız anahtar üzerindeki hareketi geçirmek kazalara davetiye çıkarır.
- d) **Elektrikli aleti açık duruma getirmeden önce her türlü ayar anahtarını çıkarın.** Elektrikli aletin dönen bir parçasında kalan bir anahtar, kişisel yaralanmalara neden olabilir.
- e) **Fazla uzanmayın. Ayaklarınızı sağlam basın ve her zaman dengeli olun.** Böylece beklenmeyen durumlarda elektrikli aleti daha iyi kontrol edebilirsiniz.
- f) **Uygun kıyafetler giyin. Bol kıyafetler giymeyin, takılar takmayın. Saçınızı, kıyafetlerinizi ve eldivenlerinizi, hareketli parçalardan uzak tutun.** Bol kıyafetler, takılar veya uzun saç, hareketli parçalara takılabilir.
- g) **Eğer cihazlar toz giderme ve toplama tesislerinin bağlantısı için sağlanmışsa, bunların bağlandığından ve düzgün bir şekilde kullanıldığından emin olun.** Toz toplama ile tozla ilgili tehlikeleri azaltılabilir.
- h) **Aletlerin sık kullanılmasından edindiğiniz bilgi birikiminin sizi aşırı rehavete sürüklemesine izin vermeyin ve araç güvenliği ilkelerini göz ardı etmeyin.** Dikkatsiz bir hareket, bir saniyeden bile kısa sürede ciddi yaralanmalara neden olabilir.
- 4) Elektrikli alet kullanımı ve bakımı**
- a) **Elektrikli aleti zorlamayın. Uygulamanız için doğru elektrikli aleti kullanın.** Doğru elektrikli alet, tasarım amacına uygun olarak işi daha iyi yapacaktır.
- b) **Eğer anahtarlar açılıp kapatılmıyorsa, elektrikli aleti kullanmayın.** Anahtarla kumanda edilemeyen elektrikli aletler tehlikelidir ve tamir edilmelidir.
- c) **Herhangi bir ayar, aksesuar değişimi ya da depolama işleminden önce elektrikli aletin fişini elektrik kaynağından çıkarın ve/veya pil takımını elektrikli aletten çıkarın.** Bu tür önleyici güvenlik önlemleri, elektrikli aletin kazara çalışma riskini azaltır.
- d) **Boş durumdaki elektrikli aletleri çocukların erişmeyeceği bir yerde muhafaza edin ve elektrikli aletin nasıl çalıştığını ya da bu talimatları bilmeyen kişilerin elektrikli aleti kullanmasına izin vermeyin.** Elektrikli aletler, eğitimsiz kullanıcıların elinde tehlikeli olur.
- e) **Elektrikli aletlerin bakımını yapın. Hatalı ayarlar veya hareketli parçaların bağlanması, parça kırılmaları ve elektrikli aletin çalışmasını etkileyecek diğer durumlar için kontrol gerçekleştirin.** Eğer herhangi bir hasar varsa, elektrikli alet kullanılmadan önce tamir edilmelidir. Çoğu kazaya bakımı iyi yapılmayan elektrikli aletler neden olur.
- f) **Kesme aletlerini keskin ve temiz tutun.** Bakımı iyi yapılan ve keskin kenarlara sahip kesme aletlerinde donmalar daha az yaşanır ve kontrol edilmeleri daha kolay olur.
- g) **Elektrikli aleti, aksesuarlarını ve torna kalemlerini bu talimatlara uygun olarak kullanın, çalışma koşullarını ve gerçekleştirilecek olan işi dikkate alın.** Elektrikli aletin kullanım amacı dışında kullanılması, tehlikeli durumlarla sonuçlanabilir.
- h) **Tutamakları ve tutma yerlerini kuru, temiz ve yağdan arındırılmış şekilde muhafaza edin.** Kaygan tutamaklar ve tutma yerleri, beklenmedik durumlarda aletin güvenli şekilde taşınmasına ve kontrol edilmesine izin vermez.
- 5) Pili alet kullanımı ve bakımı**
- a) **Yalnızca üretici tarafından belirtilen şarj aletiyle şarj edin.** Bir türde pil takımı için uygun bir şarj cihazı, başka bir pil takımı ile kullanıldığında yangın riski oluşturabilir.
- b) **Elektrikli aletleri yalnızca özel olarak belirlenmiş pil takımlarıyla kullanın.** Başka pil takımlarının kullanımı yaralanma ve yangın riski oluşturabilir.
- c) **Pil takımı kullanılmadığı zamanda, ataşlar, bozuk paralar, anahtarlar, çiviler, vidalar veya diğer küçük metal nesnelere gibi bir uçtan diğerine bir bağlantı yapabilecek diğer metal nesnelere uzak tutun.** Pil uçlarını birbirine kısa devre yaptırmak yanıklara veya yangına neden olabilir.
- d) **Bozulma durumlarında pilden sıvı çıkabilir; temastan kaçının. Kazara temas gerçekleşirse, suyla yıkayın. Sıvı gözlerle temas ederse ayrıca tıbbi yardım isteyin.** Pilden çıkan sıvı tahriş veya yanıklara neden olabilir.
- e) **Hasarlı veya üzerinde değişiklik yapılmış bir batarya veya aleti kullanmayın.** Hasarlı veya üzerinde değişiklik yapılmış bataryalar, yangın, patlama ya da yaralanma riskiyle sonuçlanan beklenmedik davranışlar sergileyebilir.

- f) **Batarya veya aleti ateşe veya aşırı sıcaklığa maruz bırakmayın.** Ateşe veya 130 °C üzeri sıcaklıklara maruz kalması patlamaya yol açabilir. NOT Sıcaklık birimi olarak kullanılan „130 °C“ yerine „265 °F“ kullanılabilir.
- g) **Tüm şarj talimatlarına uyun ve batarya veya aleti talimatlarda belirtilen sıcaklık aralığının dışındaki ortamlarda şarj etmeyin.** Yanlış şekilde veya belirtilen aralığın dışındaki sıcaklıklarda şarj etmek bataryayı zarar verebilir ve yangın riskini artırabilir.
- 6) **Servis**
- a) **Elektrikli aletinizin servis işlemlerini, yalnızca aynı yedek parçaları kullanan vasıflı bir tamircinin yapmasını sağlayın.** Bu, elektrikli aletin güvenliğinin korunmasını sağlayacaktır.
- b) **Hasarlı bataryalara asla kendiniz bakım yapmaya çalışmayın.** Bataryadaki bakım işlemleri sadece üretici veya yetkili servisler tarafından yapılmalıdır.

ÖZEL GÜVENLİK TALİMATLARI

- a) **Bu elektrikli el aleti taşlama, zımparalama, tel fırçalama, parlatma, oyma veya kesme aleti olarak işlev görür. Bu elektrikli aletle birlikte sağlanan tüm güvenlik uyarılarını, talimatları, çizimleri ve spesifikasyonları okuyun.** Aşağıda listelenen tüm güvenlik uyarılarını ve talimatları izlememek elektrik çarpması, yangın ve/veya ciddi yaralanma ile sonuçlanabilir.
- c) **Alet üreticisi tarafından özellikle tasarlanmamış ve önerilmemiş aksesuarları kullanmayın.** Aksesuar elektrikli aletinize takılabiliyor diye güvenli işlemi garanti etmez.
- d) **Aksesuarın anma hızı elektrikli alet üzerinde işaretli maksimum hızın azından eşit olmalıdır.** Anma hızlarından hızlı çalışan taşlama aksesuarları kırılıp parçalanabilir.
- e) **Aksesuarınızın dış çapı ve kalınlığı elektrikli aletinizin kapasite oranı içinde olmalıdır.** Yanlış boyuttaki aksesuarlar yeterince korunamaz ve kontrol edilemez.
- f) **Disklerin, zımpara tamburlarının veya başka herhangi bir aksesuarın mil boyutu, elektrikli aletin kovan veya yuvasına uygun şekilde oturmalıdır.** Elektrikli el aletin montaj donanımına uymayan aksesuarlar dengesini kaybeder, aşırı titreşir ve elektrikli el aletin kontrolünün kaybedilmesine neden olur.
- g) **Mandrel üzerine monte edilmiş diskler, zımpara tamburları, kesiciler veya diğer aksesuarlar, yuva veya kovanın içine tam olarak yerleştirilme-**

lidir. Mandrel yeterli şekilde tutulmazsa ve/veya diskin çıkıntısı çok uzunsa, monte edilen disk gevşeyebilir ve yüksek hızla fırlayabilir.

- h) **Her kullanımdan önce taşlama disklerini aşınma ve çatlaklar, zımpara tamburunu çatlak, yırtılma veya aşırı yıpranma, tel fırçasını gevşek veya çatlakmış teller açısından kontrol edin. Elektrikli alet veya aksesuar düşürülürse, hasar açısından kontrol edin veya hasar görmemiş bir aksesuar takın. Bir aksesuarı kontrol ettikten ve taktıktan sonra, kendinizi ve izleyicileri dönen aksesuarın yüzeyinden uzaklaştırın ve elektrikli aleti bir dakikalığına maksimum yüksüz hızda çalıştırın.** Hasar görmüş aksesuarlar normal olarak bu test süresi içinde parçalanacaktır.
- i) **Kişisel koruyucu donanım takın. Uygulamaya bağlı olarak yüz siperi, koruyucu gözlük veya emniyet gözlüğü kullanın. Uygun görüldüğü şekilde, küçük aşındırıcı ve iş parçalarını durdurabilecek toz maskesi, duyma koruyucuları, eldivenler ve atölye önlüğü giyin.** Göz koruması çeşitli işlemler tarafından üretilen uçuşan molozu durdurabilecek nitelikte olmalıdır. Toz maskesi veya respiratör, yaptığınız işlem tarafından üretilen parçacıkları filtre edebilmelidir. Yüksek yoğunluktaki gürültüye uzun süre maruz kalma, işitme kaybına neden olabilir.
- j) **İzleyicileri iş alanından güvenli bir mesafede tutun. Çalışma alanına giren herkes kişisel koruyucu donanım giymelidir.** İş parçası veya kırılmış bir aksesuarın parçaları fırlayabilir ve acil işlem alanının ötesinde yaralanmaya neden olabilir.
- k) **Elektrikli aleti yalnızca izole edilmiş tutma yüzeylerinden tutun, bir işlem gerçekleştirirken kesme aksesuarı gizli tellerle veya kendi kordonuyla temas edebilir.** Kesme aksesuarının “elektrikli” bir telle temas etmesi, elektrikli aletin açık metal kısımlarına “elektrik” verebilir ve operatörü elektrik çarparabilir.
- l) **Aleti çalıştırma sırasında daima ellerinizle sıkıca tutun.** Motorun reaksiyon torku, tam hızla çıktıkça, aletin dönmesine neden olabilir.
- m) **Pratik olduğunda, iş parçasını desteklemek için kelepçeler kullanın. Kullanım sırasında asla küçük bir iş parçasını bir elinizle, aleti diğer elinizle tutmayın.** Küçük bir iş parçasını kelepçeyle sabitlemek, aleti kontrol etmek için ellerinizi kullanmanıza olanak sağlar. İnşaat demirleri, plastik veya demir borular gibi yuvarlak malzemeler kesilirken yuvarlanma eğilimindedir ve ucun sıkışmasına veya size fırlamasına neden olabilir.

- n) **Kordonu dönen aksesuardan uzağa konumlandırın.** Kontrolü kaybederseniz, kordon kesilebilir veya takılabilir ve eliniz veya kolunuz dönen aksesuara kapılabilir.
- o) **Aksesuar tamamen durana kadar elektrikli aleti asla bir yere koymayın.** Dönen aksesuar yüzeyi tutabilir ve elektrikli aleti kontrolünüzden çıkarabilir.
- p) **Uçları değiştirdikten veya herhangi bir ayar yaptıktan sonra, yuva somunu, mandrel veya diğer ayar cihazlarının sağlam bir şekilde sıkıldığından emin olun.** Gevşek ayar cihazları beklenmedik bir şekilde kayabilir, bu da kontrol kaybına neden olarak gevşek dönen parçaların şiddetle fırlamasına yol açabilir.
- q) **Yan tarafınızda taşırken elektrikli aleti çalıştırmayın.** Dönen aksesuarla kazara temas kıyafetinize takılabilir ve aksesuarı bedeninize çekebilir.
- r) **Elektrikli aletin havalandırma deliklerini düzenli olarak temizleyin.** Motorun fanı tozu yuvanın içine çekecektir ve toz haline gelmiş metalin aşırı birikimi elektrik tehlikelerine neden olabilir.
- s) **Elektrikli aleti alev alan maddelerin yakınında çalıştırmayın.** Kıvılcımlar bu maddeleri tutuşturabilir.
- t) **Sıvı soğutucu gerektiren aksesuarlar kullanmayın.** Su veya diğer sıvı soğutucuları kullanmak elektrik yüzünden ölüm veya elektrik çarpmasıyla sonuçlanabilir.

Geri Tepme ve İlgili Uyarılar

Geri tepme, sıkıştırılmış veya takılmış dönen çark, destek tamponu, fırça veya başka diğer aksesuara ani bir tepkidir. Sıkıştırma veya takılma dönen aksesuarın hızlı teklemesine neden olur, bu da kontrol edilmeyen elektrikli aletin bağlama noktasında aksesuarın dönüşün karşı yönünde zorlanmasına neden olur. Örneğin, bir taşlama çarkı iş parçası tarafından takılır veya sıkıştırılırsa, sıkıştırma noktasına giren çarkın kenarı çarkın yükselmesine veya atmasına neden olarak materyalin yüzeyini delebilir. Çark sıkıştırma noktasında çarkın hareketinin yönüne bağlı olarak operatöre doğru veya operatörden uzağa sıçrayabilir. Taşlama çarkları ayrıca koşullar altında da bozulabilir. Geri tepme elektrikli aletin hatalı kullanımı ve/veya yanlış işlem prosedürleri veya koşullarının sonucunda oluşur ve aşağıdaki gibi uygun önlemler alınarak engellenebilir.

- a) **Elektrikli aleti sıkı tutun ve bedeninizi ve kolunuzu geri tepme kuvvetlerine dayanmaya izin verecek şekilde konumlandırın.** Doğru önlemler alınırsa, operatör geri tepme kuvvetlerini kontrol edebilir.
- b) **Köşelerde, keskin kenarlarda vs. çalışırken özel dikkat gösterin. Aksesuarı sallamaktan ve taktırmaktan kaçının.** Köşeler, keskin kenarlar veya sallamak, dönen aksesuarın takılması eğilimine sahiptir ve kontrol kaybına veya geri tepmeye neden olur.
- c) **Zincir testere oyma bıçağı veya dişli testere bıçağı takmayın.** Bu tür bıçaklar sıklıkla geri tepme ve kontrol.
- d) **Daima disk malzemeye, kesici kenarın malzemedeki çıkışı ile aynı yönde (metal talaşlarının atıldığıyla aynı yön) takın.** Alete yanlış yönde takmak, diskin kesme kenarının iş parçasından çıkmasına ve aleti bu besleme yönüne doğru çekmesine neden olur.
- e) **Döner eğeler, kesme diskleri, yüksek hızlı kesiciler veya tungsten karbür kesiciler kullanılırken, iş parçasının daima sağlam bir şekilde sabitlenmesini sağlayın.** Bu diskler, yuvada hafifçe bükülürlerse takılır ve geri tepebilir. Bir kesim disk takılırsa, genellikle disk kırılır. Döner bir eğe, yüksek hızlı kesici veya tungsten karbür kesici takılırsa, yuvadan çıkabilir ve aletin kontrolünü kaybedebilirsiniz.

TAŞLAMA VE KESME İŞLEMLERİ İÇİN EK GÜVENLİK TALİMATLARI

Taşlama ve aşındırıcı kesme işlemleri için özel güvenlik uyarıları:

- a) **Yalnızca elektrikli aletiniz için önerilen disk türlerini, yalnızca önerilen uygulamalar için kullanın.** Örneğin: kesme çarkının kenarıyla taşlama yapmayın. Aşındırıcı kesme çarkları çevresel taşlama içindir, bu disklere yandan uygulanan kuvvetler onların parçalanmasına neden olabilir.
- b) **Dişli aşındırıcı koniler ve tapalar için, yalnızca doğru ebat ve uzunlukta olan, tam bir omuz flanşına sahip olan hasar görmemiş disk mandrellerini kullanın.** Uygun mandreller kırılma olasılığını azaltacaktır.
- c) **Kesme diskini "sıkıştırmayın" veya üzerine aşırı basınç uygulamayın. Aşırı derin bir kesim yapmaya kalkışmayın.** Diski aşırı girmek, yükü ve kesimdeki diskin bükülme ve takılma ihtimalini ve geri tepme veya disk kırılma olasılığını artırır.

- d) **Elinizi dönen diskle aynı hizaya ve diskin arkasına getirmeyin.** Çalışma noktasında disk elinizden uzaklaşırken, olası geri tepme dönen disk ve elektrikli aleti doğrudan size doğru itebilir.
- e) **Disk takıldığında, sıkıştığında veya herhangi bir nedenden ötürü bir kesme işlemini yarıda bıraktığında, elektrikli aleti kapatın ve disk tamamen durana kadar aleti hareketsiz tutun.** Disk hareket halindeyken asla kesme diskini kesilen yerden ayırmaya kalkışmayın, aksi takdirde geri tepme meydana gelebilir. Diskin takılma veya sıkışma sebebinin gidermek için araştırın ve düzeltici işlem uygulayın.
- f) **İş parçasındaki kesme işlemini yeniden başlatmayın.** Diskin tam hıza ulaşmasını bekleyin ve kesişe dikkatlice yeniden girin. Elektrikli alet iş parçasında yeniden başlatılırsa disk takılabilir, yukarı çıkabilir veya geri tepebilir.
- g) **Diskin sıkışma ve geri tepme riskini azaltmak için paneller veya büyük bir iş parçasıyla destekleyin.** Büyük iş parçaları kendi ağırlıklarının altında çökme eğilimine sahiptir. Destekler iş parçasının altına, kesim hattının yakınına ve diskin her iki tarafında iş parçasının kenarının yakınına yerleştirilmelidir.
- h) **Mevcut duvarlar veya diğer kör bölgelerde bir “cep kesimi” yaparken ekstra dikkat gösterin.** Çıkıntı yapan disk gaz veya su borularını, elektrik kablolarını veya geri tepmeye neden olabilecek nesnelere kesebilir.

TEL FIRÇALAMA İŞLEMLERİ İÇİN EK GÜVENLİK TALİMATLARI

Tel fırçalama işlemleri için özel güvenlik uyarıları:

- a) **Sıradan çalıştırma sırasında bile fırça kollarının fırça tarafından fırlatılabileceğini unutmayın.** Fırçaya aşırı yük uygulayarak telleri fazla sıkmayın. Tel kollar ince kıyafetlere ve/veya cilde kolayca nüfuz edebilir.
- b) **Fırçaları kullanmadan önce en az bir dakika çalıştırma hızında çalıştırmalarını bekleyin.** Bu sürede kimse fırçanın önünde veya yanında durmamalıdır. Çalışma sırasında gevşek kollar veya teller boşalır.
- c) **Döner tel fırçasının boşalmasını doğrudan kendinizden uzağa yönlendirin.** Bu fırçaların kullanımını sırasında küçük parçacıklar ve küçük tel parçaları yüksek hızlarda boşalabilir ve derin iz altına girebilir.

ŞARJ CİHAZI İÇİN

Kullanım amacı

Yalnızca şarj edilebilir pilleri şarj edin. Diğer pil türleri patlayarak fiziksel yaralanma ve hasara neden olabilir.

- a) **Cihaz, gözetim altında tutulmaksızın veya cihazın kullanımı hakkında bilgi verilmeksizin, fiziksel (çocuklar dahil), duyuşsal veya zihinsel kapasiteleri sınırlı veya ilgili deneyim ve bilgisizden yoksun kişiler tarafından kullanılmalıdır.**
- b) **Çocuklar cihazla oynamaları için gözetim altında tutulmalıdır.**
- c) **Şarj edilebilir olmayan pilleri şarj etmeyin!**
- d) **Şarj sırasında piller iyi havalandırılmalı bir bölgeye yerleştirilmelidir!**
- e) **Entegre piller sadece kalifiye personel tarafından atılması için çıkartılabilir.** Muhafaza kılıfının açılması elektrikli alete zarar verebilir. Pili aletten çıkarmak için, tamamen çıkana kadar Açma/Kapama düğmesine (5) basın. Muhafazanın üzerindeki vidaları sökün ve bataryayı çıkarmak için muhafaza kılıfını çıkarın. Kısa devreyi önlemek için, pil üzerindeki konnektörleri teker teker çıkarın ve kutulara yalıtım uygulayın. Pil tamamen boşaldığında bile, kısa devre olması durumunda serbest kalabilecek bir artık kapasite içerir.

Elektrik güvenliği

Elektrikli makineleri kullanırken yangın, elektrik çarpması ve bedensel yaralanma riskini azaltmak için ülkenizde geçerli güvenlik düzenlemelerine her zaman uyun. Aşağıdaki güvenlik talimatlarını ve ayrıca ekteki güvenlik talimatlarını okuyun.



Güç kaynağının voltajının, anma değeriplakası etiketi üzerindeki voltaja karşılık geldiğini her zaman kontrol edin.



Sınıf II makine-Çift İzolasyon -Topraklanmış prize ihtiyacınız yok.

2. MAKİNE BİLGİSİ

Kullanım amacı

Bu elektrikli el aleti taşlama, zımparalama, tel fırçalama, parlatma, oyma veya kesme aleti olarak işlev görür. Bu çok amaçlı döner el aleti, ahşap, plastik, taş, kabuk alüminyum, pirinç ve çelik gibi malzemelerin düzenlenmesi için mükemmeldir. Daima uygun aksesuarları ve hız ayarını kullanın.

TEKNİK SPESİFİKASYONLAR

Model No.	CT503DC
Şarj Edilebilir Pil	4V Li-ion 600mAh
Pil şarj süresi	2 saat
Maksimum disk çapı	Ø35 mm
Maksimum matkap çapı	Ø2.3 mm
Yüksüz hız	5000/10000/15000/min
Yaylı matkap kovanının kapasitesi	2.3 mm
Ağırlık	0.1 kg
Lpa (Akustik basınç seviyesi)	79+3 dB(A)
Lwa (Akustik güç seviyesi)	90+3 dB(A)
Titreşim	1.177+1.5 m/s ²

Vibrasyon seviyesi

Bu talimat kılavuzunda belirtilen vibrasyon emisyon seviyesi EN 60745; içinde verilen bir standart teste uygun olarak ölçülmüştür; bir aleti başka bir aletle karşılaştırmak için ve aleti adı geçen uygulamalar için kullanırken bir ilk maruz kalma değerlendirmesi olarak kullanılabilir.

- aleti farklı uygulamalar için veya farklı ya da kötü bakılan aksesuarlarla kullanmak maruz kalma seviyesini büyük ölçüde artırabilir.
- aletin kapalı olduğu veya çalışıp da gerçekten işi yapmadığı zamanlar maruz kalma seviyesini büyük ölçüde azaltabilir.

Aletin ve aksesuarların bakımını yaparak, ellerinizi sıcak tutarak ve çalışma düzenlerinizi organize ederek vibrasyonun etkilerine karşı kendinizi koruyun.

ACIKLAMA

Metindeki numaralar sayfa 2-4'deki çizimleri işaret etmektedir.

1. Kovan adaptörü
2. Milli kilit
3. Açma/kapatma düğmesi ve hız ayarlama düğmesi
4. Hız göstere lambaları
5. Sarj göstere lambası
6. Şarj kablosu

3. MONTAJ

Bir aksesuarı takmadan önce daima makinenin kapalı konumda olduğundan emin olun.



Uyarı! Dışarı fırlama ve dengesizliği en aza indirmek için aksesuarları yuvaya (veya matkap kovana) takarak değiştirin.

Aksesuarların takılması (Şekil B)

Mil kilidi düğmesine (2) basın ve basılı tutun. Pens adaptörünü (1) elle gevşetin. Aksesuarları yerine takın. Pens adaptörünü (1) sıkarken mil kilidi düğmesine (2) basın.



Motor çalışırken mil kilidi düğmesine basmayın.

4. ÇALIŞTIRMA

Açma/kapama düğmesine (3) basarak makineyi çalıştırın. Açma/kapama düğmesine (3) ikinci kez bastığınızda, makine hız 2'ye ayarlanacak, üçüncü kez bastığınızda makine hız 3'e ayarlanacaktır. Açma/kapama düğmesine (3) dördüncü kez basıldığında makine kapanır. Makineyi motor çalışırken yere koymayın. Makineyi tozlu bir zemine koymayın. Toz partikülleri mekanizmaya girebilir.



Çok amaçlı döner el aletine düşük hızda çok yüksek bir yük verilmesi motoru yakabilir.

İlk kullanımdan önce pil şarj edilmelidir.**Cihazı şarj etme (şarj cihazıyla)**

- Şarj kablosunu (6) (ürünle birlikte mevcuttur) bir adaptöre (ürünle birlikte mevcut değildir) takın.
- Şarj kablosunu (6) makineye takın (Şekil J).
- Şarj cihazı fişini bir elektrik prizine takın ve bir süre bekleyin. Şarj göstere lambası (5) yanacak ve şarj durumunu gösterecektir.

LED	Şarj cihazı durumu
Kırmızı	Pil şarj ediliyor
Yeşil	Pilin şarjı tamamlandı, bil tamamen şarj edildi

- Pil tamamen şarj olduktan sonra şarj cihazı fişini prizden çıkarın ve küçük fişi de makineden çıkarın.

Aleti tutma ve yönlendirme (Şekil C)

- İnce işler için (oyma işleri): kalem tutuşu (C1);
- Kaba işler için (taşlama): soyma bıçağı el tutuşu (C2);
- Aleti çalışma yüzeyine paralel tutmanız gerektiğinde (örn. kesme diski kullanımı): 2 elle golf tutuşu (C3).

Setli kalıpcı taşlama ve aksesuarlarının en verimli kullanımı (Şekil A)

Aksesuarların en verimli kullanımı için doğru hızı kullanın. Üzerinde çalışılan malzemeye ve kullanılan aksesuara bağlı olarak doğru hızı belirlemek için aşağıdaki “Önerilen hız ayarı” genel başlığına bakabilirsiniz. Bu konu başlığı hem doğru aksesuarı hem de ideal hızı seçmenizi sağlar.

Buradaki 3 hız gösterge lambası (4) “Önerilen hız ayarı” başlığındaki 1, 2 ve 3 numaralarına eşittir. Sonuç olarak herhangi bir malzemeye çalışma anlamında en doğru hızı belirlemenin en iyi yolu, bir hurda parçası üzerinde denemektir.

ÖNERİLEN HIZ AYARI

Taşlama taşları (Şekil D)

Malzeme	Hız ayarı
Taş, kabuk	1-2
Çelik	2-3
Alüminyum, pirinç	2
Plastik	1-2

Perdahlama çarkları ve ucu (Şekil E)

Perdahlama çarkları ve ucu, mandrel üzerine vidalanmalıdır.

Malzeme	Hız ayarı
Çelik	2-3
Alüminyum, pirinç	2
Plastik	2-3

Kumlama şeritleri ve disk (zımpara disk dahil değildir) (Şekil F)

Malzeme	Hız ayarı
Ahşap	3
Çelik	1-2
Alüminyum, pirinç	2
Plastik	1-2

Sert fırça (Şekil G)

Malzeme	Hız ayarı
Taş, kabuk	2
Alüminyum, pirinç	2

Yüksek hızlı kesici, Elmaslı çark noktası ve Matkap (Şekil H)

Malzeme	Hız ayarı
Taş, kabuk	3
Çelik	2
Alüminyum, pirinç	3
Plastik	1-2

Zımpara disk (disk dahil değildir) (Şekil I)

Malzeme	Hız ayarı
Çelik	2-3
Alüminyum, pirinç	2
Plastik	1-2

5. BAKIM



Motorda bakım çalışması yaparken makinenin enerji bağlantısı olmadığından emin olun.

Motorun aşırı ısınmasını önlemek için makinenin havalandırma deliklerini temiz tutun. Makine muhafazasını düzenli olarak (tercihen her kullanımdan sonra) yumuşak bir bez ile temizleyin. Havalandırma deliklerinde toz ve kir olmamasına dikkat edin. Kir çıkmazsa, sabunlu suyla nemlendirilmiş yumuşak bir bez kullanın. Asla petrol, alkol, amonyaklı su vs. kullanmayın. Bu çözücüler plastik parçalara zarar verebilir. Aleti her kullanımdan sonra lütfen hemen temizleyin.

ÇEVRE



Arızalı ve/veya atılmış elektrikli veya elektronik ekipmanların uygun geri dönüşüm konumlarında toplanması gerekir.

Yalnızca AT ülkeleri için

Elektrikli aletleri evsel atık olarak atmayın. Atık Elektrikli ve Elektronik Donanım için Avrupa İlkeleri 2012/19/EU'ya ve bunun yerel hukuk çerçevesinde uygulamasına göre, artık kullanılamaz olan elektrikli aletler ayrı olarak toplanmalı ve çevre dostu bir yolla imha edilmelidir.

GARANTİ

VONROC ürünleri yüksek kalite standartları doğrultusunda geliştirilmiştir ve ilk satın alımdan itibaren kanunen belirlenen süre boyunca materyal ve işçilik açısından kusursuz olacağı garanti edilmektedir. Bu süre zarfında, kusurlu materyal ve/veya işçilikten dolayı üründe herhangi bir arıza meydana gelmesi durumunda, doğrudan VONROC iletişim kurun.

Takip eden durumlar bu garanti kapsamı dışındadır:

- Yetkisiz servis merkezleri tarafından yapılan veya yapılmaya teşebbüs edilen onarım ve/veya değişiklikler.
- Normal aşınma ve eskime.
- Cihazın kötü ve yanlış kullanılması veya cihaza yanlış bakım yapılması.
- Orijinal olmayan yedek parçaların kullanılması

Bu, şirket tarafından açık ya da zımni verilmiş tek garantiyi oluşturur. Belirli bir amaç için ticarete elverişlilik ve uygunluğun zımni garantileri dahil dış görünüşünün ötesine uzanan açık veya zımni başka hiçbir garanti yoktur. VONROC herhangi bir arıza veya dolaylı zarardan hiçbir halükarda sorumlu olmayacaktır. Bayilerin getireceği çözümler uygunsuz birimlerin veya parçaların onarımı veya değiştirilmesiyle sınırlı olacaktır.

**Ürün ve kullanıcı kılavuzu değişikliğe tabidir.
Spesifikasyonlar başka bir uyarı olmaksızın değiştirilebilir.**



DECLARATION OF CONFORMITY CT503DC - ROTARY MULTI TOOL

- (EN) We declare under our sole responsibility that this product is in conformity with directive 2011/65/EU of the European parliament and of the council of 8 June on the restriction of the use of certain hazardous substances in electrical and electronic equipment is in conformity and accordance with the following standards and regulations:
- (DE) Der Hersteller erklärt eigenverantwortlich, dass dieses Produkt der Richtlinie 2011/65/ EU des Europäischen Parlaments und des Rats vom 8. Juni 2011 über die Einschränkung der Anwendung von bestimmten gefährlichen Stoffen in elektrischen und elektronischen Geräten entspricht. den folgenden Standards und Vorschriften entspricht:
- (NL) Wij verklaren onder onze volledige verantwoordelijkheid dat dit product voldoet aan de conform Richtlijn 2011/65/EU van het Europees Parlement en de Raad van 8 juni 2011 betreffende beperking van het gebruik van bepaalde gevaarlijke stoffen in elektrische en elektronische apparatuur en in overeenstemming is met de volgende standaarden en reguleringen:
- (FR) Nous déclarons sous notre seule responsabilité que ce produit est conforme aux standards et directives suivants: est conforme à la Directive 2011/65/EU du Parlement Européen et du Conseil du 8 juin 2011 concernant la limitation d'usage de certaines substances dangereuses dans l'équipement électrique et électronique.
- (ES) Declaramos bajo nuestra exclusiva responsabilidad que este producto cumple con las siguientes normas y estándares de funcionamiento: se encuentra conforme con la Directiva 2011/65/UE del Parlamento Europeo y del Consejo de 8 de junio de 2011 sobre la restricción del uso de determinadas sustancias peligrosas en los equipos eléctricos y electrónicos.
- (IT) Dichiariamo, sotto la nostra responsabilità, che questo prodotto è conforme alle normative e ai regolamenti seguenti: è conforme alla Direttiva 2011/65/UE del Parlamento Europeo e del Consiglio dell'8 giugno 2011 sulla limitazione dell'uso di determinate sostanze pericolose nelle apparecchiature elettriche ed elettroniche.
- (SV) Vi försäkrar under vårt eget ansvar att denna produkt överensstämmer med Europaparlamentets och rådets direktiv 2011/65/EU av den 8 juni om begränsning av användningen av vissa farliga ämnen i elektrisk och elektronisk utrustning och är i överensstämmelse och enlighet med följande standarder och föreskrifter:
- (DA) Vi erklærer under eget ansvar, at dette produkt er i overensstemmelse med Europa-Parlamentets og Rådets direktiv 2011/65/EU af 8. juni om begrænsning af brugen af visse farlige stoffer i elektrisk og elektronisk udstyr og overholder og er i overensstemmelse med følgende standarder og regler:
- (PL) Deklarujemy na własną odpowiedzialność, że ten produkt spełnia wymogi zawarte w następujących normach i przepisach: jest zgodny z Dyrektywą 2011/65/UE Parlamentu Europejskiego i Rady z dnia 8 czerwca 2011 r. w sprawie ograniczenia stosowania niektórych niebezpiecznych substancji w sprzęcie elektrycznym i elektronicznym.
- (RO) Declărăm sub responsabilitatea exclusivă că acest produs este în conformitate cu Directiva 2011/65/UE a Parlamentului și a Consiliului European din 8 iunie privind restricționarea utilizării anumitor substanțe periculoase în echipamentele electrice și electronice și în conformitate cu următoarele standarde și reglementări:
- (PT) Declaramos, sob nossa exclusiva responsabilidade, que este produto está em conformidade com a directiva 2011/65/UE do Parlamento Europeu e com a do conselho de 8 de Junho sobre a restrição da utilização de determinadas substâncias perigosas em equipamento eléctrico e electrónico está em conformidade e de acordo com as seguintes normas e regulamentações:
- (HU) Kizárólagos felelősségünk tudatában kijelentjük, hogy ez a termék megfelel az Európai Parlamentnek és a Tanácsnak az egyes veszélyes anyagok elektromos és elektronikus berendezésekben való alkalmazásának korlátozásáról szóló 2011/65/EU irányelvének (2011. június 8.), valamint a következő szabványoknak és jogszabályoknak:
- (CS) Prohlašujeme na svou výhradní odpovědnost, že tento výrobek splňuje požadavky směrnice 2011/65/EU Evropské rady a parlamentu ze dne 8. června, která se týká omezení používání určitých nebezpečných látek v elektrických a elektronických zařízeních, a splňuje také všechny požadavky následujících norem a předpisů:
- (TR) Tek sorumlusu biz olmak üzere bu ürünün Avrupa Parlamentosunun 2011/65/EU ve 8 Haziran 2011 tarihli konseyin elektrikli ve elektronik ekipmanlarda belirlenmiş tehlikeli malzeme kullanımının kısıtlanması hakkındaki talimatları ile birlikte aşağıda belirtilen standart ve yönergelerle uygun ve uyumlu olduğunu beyan ederiz:

EN 55014-1, EN 55014-2, EN 60745-1, EN 60745-2-23, 2006/42/EC, 2014/35/EU, 2012/19/EU, 2011/65/EU

Zwolle, 01-04-2022

H.G.F Rosberg
CEO

VONROC • Lingenstraat 6 • 8028 PM Zwolle • The Netherlands



VONROC®
BUILD YOUR FUTURE

©2022 VONROC
WWW.VONROC.COM

2204-27