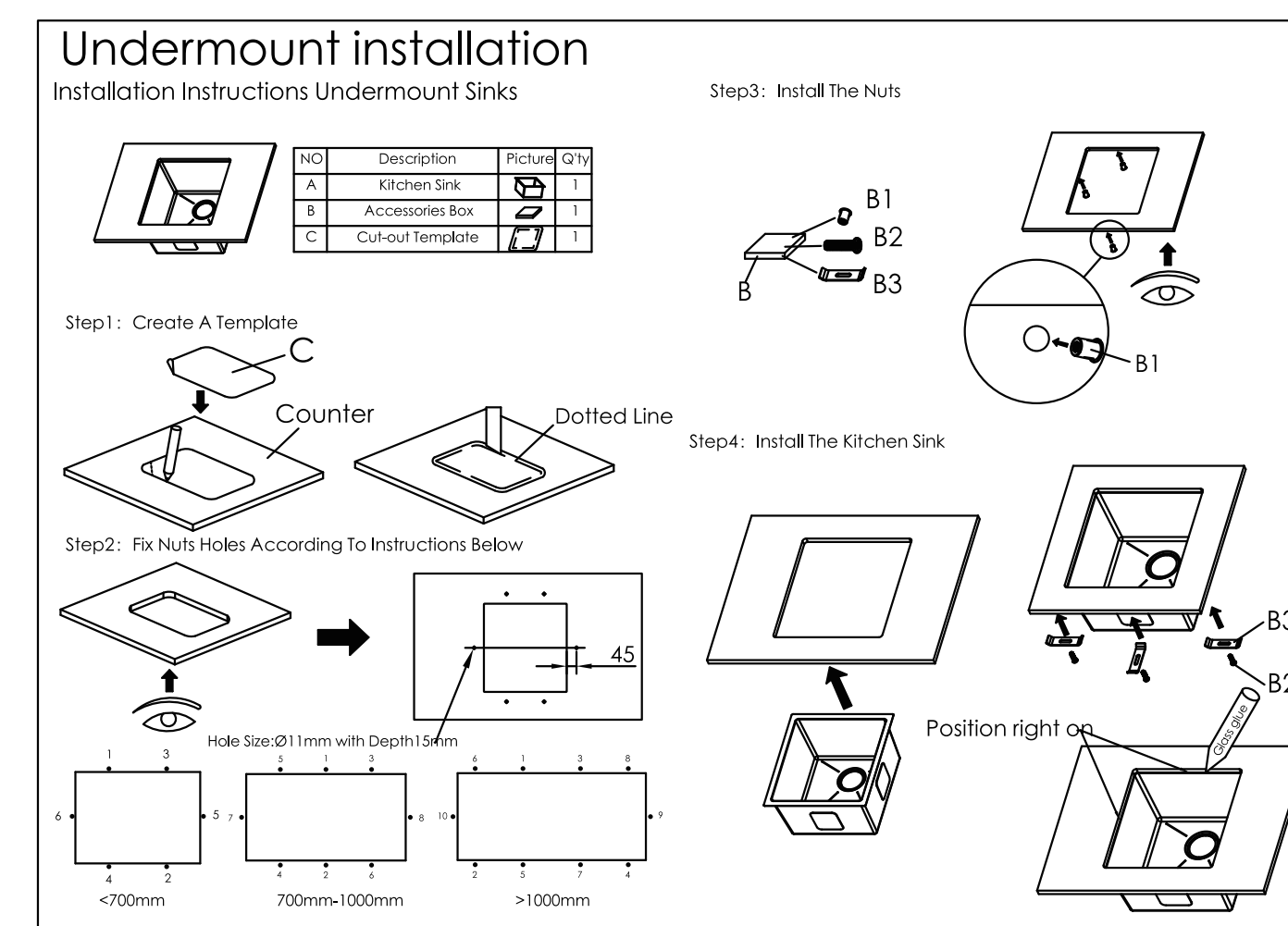
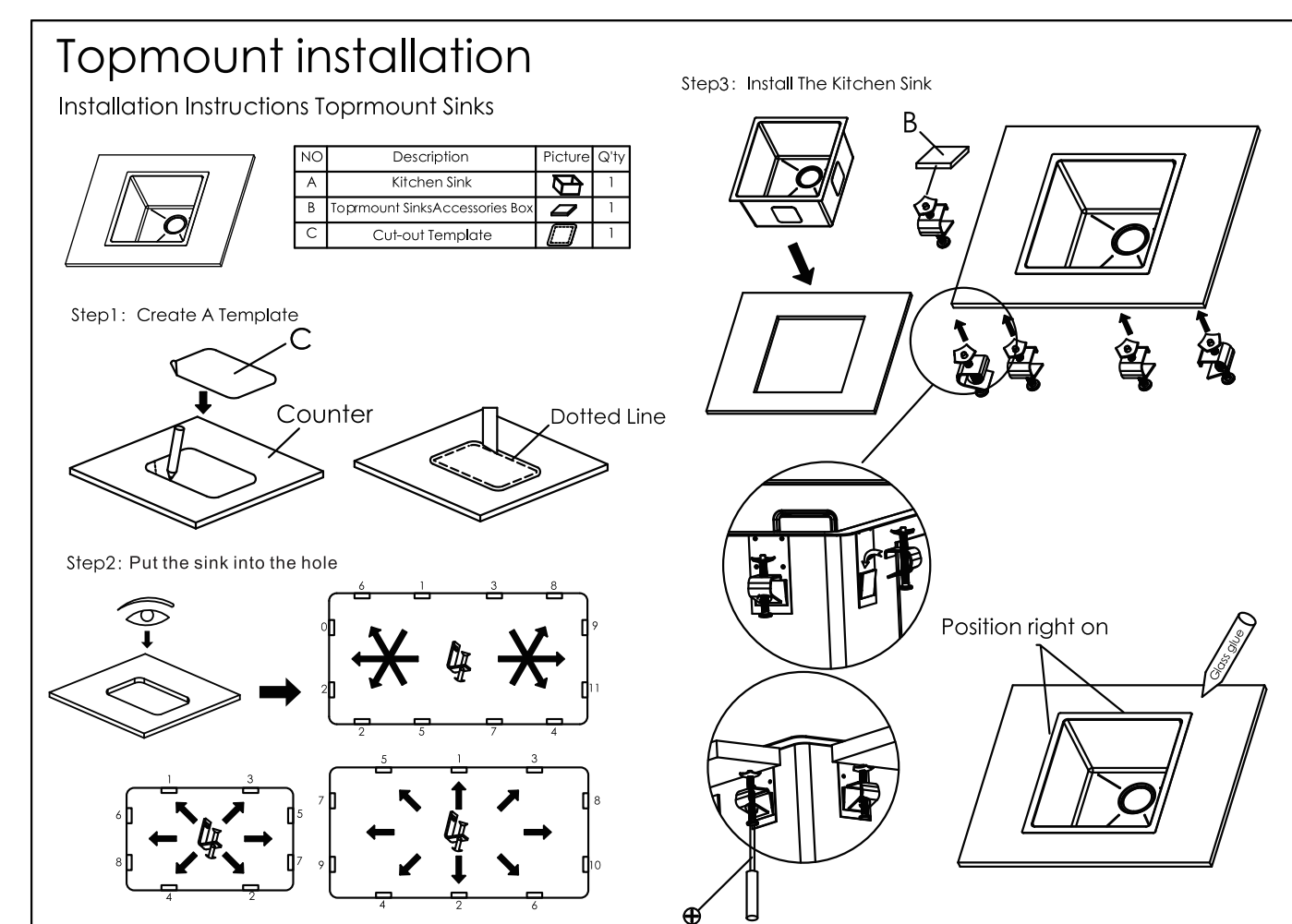


Overall Size



For undermount

Please use the inner dimensions of the sink as reference

Topmount  
Dotted Line Model