



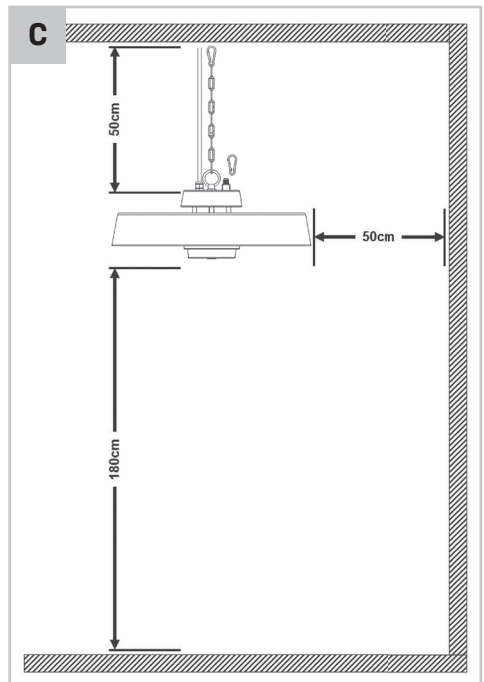
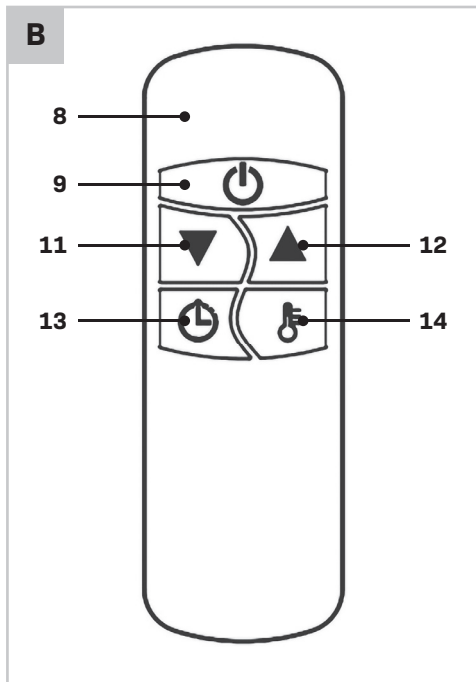
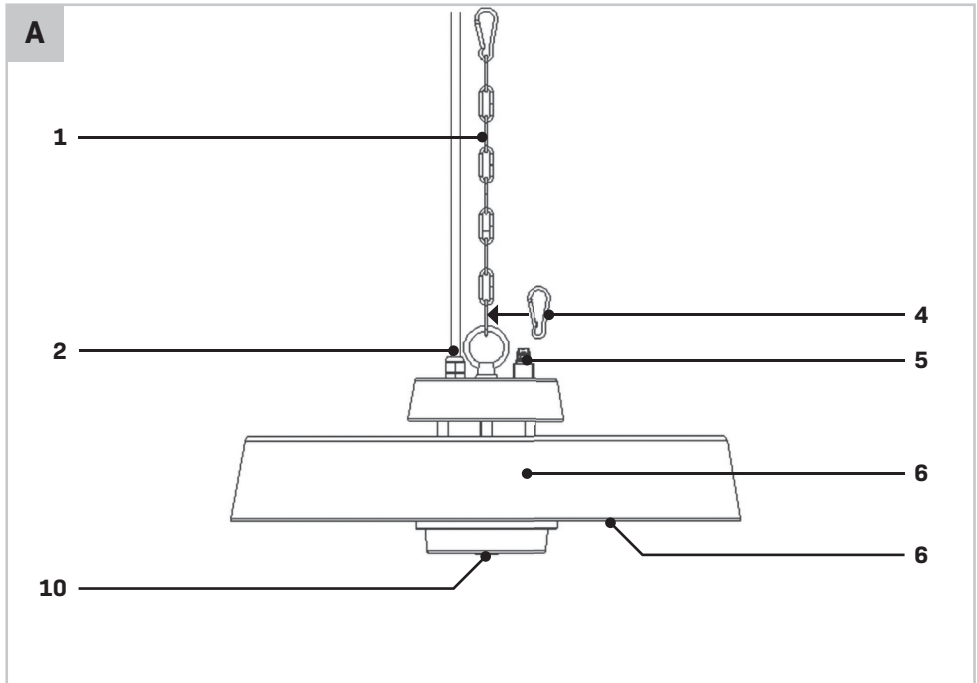
**VONROC®**

BUILD YOUR FUTURE

## PATIO HEATER VULCANO PH509AC



<b>EN</b>	Original Instructions	03
<b>DE</b>	Übersetzung Der Originalbetriebsanleitung	08
<b>NL</b>	Vertaling van de oorspronkelijke gebruiksaanwijzing	14
<b>FR</b>	Traduction de la notice originale	19
<b>ES</b>	Traducción del manual original	25
<b>IT</b>	Traduzione delle istruzioni originali	31
<b>SV</b>	Översättning av bruksanvisning i original	36
<b>DA</b>	Oversættelse af den originale brugsanvisning	41
<b>PL</b>	Tłumaczenie instrukcji oryginalnej	47
<b>RO</b>	Traducere a instrucțiunilor originale	52
<b>TR</b>	Orijinal talimatların çevirisi	57



## 1. SAFETY INSTRUCTIONS

Read the enclosed safety warnings, the additional safety warnings and the instructions. Failure to follow the safety warnings and the instructions may result in electric shock, fire and/or serious injury. Save the safety warnings and the instructions for future reference.

The following symbols are used in the user manual or on the product:



*Read the user manual.*



*Denotes risk of personal injury, loss of life or damage to the heater in case of nonobservance of the instructions in this manual.*



*Risk of electric shock.*



*Caution: hot surface!*



*Do not cover the device.*



*Earthing symbol. This appliance is classified as protection class I and must be connected to an earthed mains socket.*



*The product is in accordance with the applicable safety standards in the European directives.*

### GENERAL SAFETY WARNINGS

**THESE INSTRUCTIONS SHOULD BE READ CAREFULLY AND RETAINED FOR FUTURE REFERENCE, The manufacturer cannot be held liable for any damages caused by failure to observe these instructions.**

### IMPORTANT SAFETY INSTRUCTIONS

READ CAREFULLY-The infrared heater is designed for safe operation. Nevertheless, installation, maintenance and operation of the heater can be dangerous. Observing the following procedures will reduce the risk of fire, electric shock, injury to persons and keep installation time to a minimum. Save these instructions for future use.

- Read all instruction before using this heater.
- Remove the unit from its packaging and check to make sure it is in good condition before using.

- Do not let children play with parts of package (such as plastic bags).
- Check the household voltage to ensure it matches the heater's rated specification.
- Check the power cord and plug carefully before used, to make sure that they are not damaged.
- Before unplugging the power cord, be sure to turn off the power, when energizing the unit, be sure your hands are dry to prevent from electric shock.
- Only use the terrace radiator outdoors or in a large open space. Keep all flammable objects such as tarpaulins, parasols, branches, furniture, curtains, paper etc. out of the way of the device (at least 1 meter also if they are if they are non-stationary objects!). The distance to the walls must be at least 1 meter. The head must be located at least 180 cm above the ground. If you place the device under a roof, there must be a space of at least 50 cm between the cap of the terrace radiator and the (non-flammable) ceiling. With a flammable roof (wood, plastic, tarpaulin etc.) this distance must be at least 1 meter. Always ensure good ventilation!
- Do not locate the device just above or below a wall socket (not in the immediate vicinity).
- The terrace heater is only intended for household use. You should not therefore use it on construction sites, in glasshouses, barns or stalls etc., even if they are largely open. There is usually too much flammable material there.
- Do not use this terrace heater as sauna heating or as a permanent space or room heater.
- Do not use this terrace heater in a kennel or any other location where animals are present.
- Do not use near or in the immediate vicinity of a bath or swimming pool or any source of liquid. Despite the fact that the device is splash proof, you need to be careful with water. Ensure that it cannot fall into the water and do not expose it to powerful jets of water. Do not touch it with wet hands and do not place the device in the area immediately around a bath, washroom, swimming pool or other water supply, as this is dangerous.
- To protect against electric shock, do not immerse cord or plug in water or any other liquid.
- Do not insert or allow foreign objects to enter any ventilation or exhaust opening, as this may cause an electric shock, fire or damage to the heater.

- Ensure there is sufficient light. The switches on the device must be properly visible from a distance of 1 meter.
  - Always unplug the heater when not in use. Never leave the device unsupervised when in use, but switch it off and unplug. Do not use the device with a programmer, timer or any other device that switches the device on automatically.
  - Do not use the heater with an external voltage regulator such as dimmer, speed controller etc. This produces an electrical hazard.
  - Make sure that the cord does not hang over (sharp) edges, does not make strong curves, does not touch hot surfaces. Do not wrap the cord around the device.
  - Do not allow cord to overhang the counter top where it can be easily pulled by children.
  - Do not put fingers or foreign objects into the grill while in operation.
  - Do not leave the appliance unattended when in use.
  - This heater is not intended for use in bathrooms, laundry and similar indoor locations, never locate the heater where it may fall into a bathtub or other water container.
  - No liability can be accepted for any damage caused by non-compliance with these instructions or any other improper use or mishandling.
  - This appliance can be used by children aged from 8 years and above and persons with reduced physical, sensory or mental capabilities or lack of experience and knowledge if they have been given supervision or instruction concerning use of the appliance in a safe way and understand the hazards involved. Children shall not play with the appliance. Cleaning and user maintenance shall not be made by children without supervision.
  - If the device for any reason produces cracks or breaks, or if you establish any imperfection or interruption to the aluminium casing or any other part, immediately stop the operation of the device and take the plug from the socket.
  - If the power cord is damaged in any way, it must be replaced by the manufacturer or its service agent or a similarly qualified person in order to avoid a hazard.
  - To prevent overheating of this appliance, keep the air inlets and outlets clean and free of anything that may cause blockage. Check all inlets and outlets from time to time to ensure it is clear of any dirt or dust accumulation. DO NOT COVER.
- The warning label not to cover the device must also be placed in a clearly visible location after installation: it should not therefore be on the back.
- Parts of the heater may exceed 200°C, contact with the heating tube, reflector, or metal parts near the heating tube, may cause severe BURNS. To avoid burns, do not let bare skin touch the hot surface.
  - NEVER place hands under the heating elements. ALWAYS allow heating element to cool at least 10 minutes before touching the heating tube or adjacent parts.
  - Do not store any burnable liquids or materials like paint, petrol, gas tanks etc. in the immediate surroundings of the device. Don't use the device in flammable ambience, such as nearby combustible gas tanks, gas tubes or spray cans. Danger of explosion and fire!
  - This product contains recyclable materials. Do not dispose this product as unsorted community waste. Please contact your local authorities for the nearest collection point.

#### Electrical safety



*Always check that the voltage of the power supply corresponds to the voltage on the rating plate.*

- Do not use the machine if the mains cable or the mains plug is damaged.
- Only use extension cables that are suitable for the power rating of the machine with a minimum thickness of 1.5 mm<sup>2</sup>. If you use an extension cable reel, always fully unroll the cable.

## 2. MACHINE INFORMATION

#### Intended use

This product is designed as a patio heater for domestic environments. The heater is intended for private gardens or other outdoor areas at home. The heater may not be used to heat an indoor space, usage as a non-household outdoor space heater or for the drying of textiles or other materials. This heater is not equipped with a device to control the room temperature so do not use this heater in spaces when they are occupied by persons not capable of leaving the room on their own, unless constant supervision is provided. The device is to be used only for its prescribed purpose. Any other use is deemed to be a case of misuse.

### TECHNICAL SPECIFICATIONS

Model No.	PH509AC
Voltage	220-240 V~
Frequency	50-60 Hz
Power	2000 W
Power settings	1: 1000W 2: 2000W
Heating element type	Carbon fibre lamp
Heating time	3 seconds
Wave length	3.0-1000 microns
Radiant efficiency	90%
Heating distance	2-3m
Heating area	7-9m <sup>2</sup>
Colour temperature	1600 K
Overheat protection	Yes
Electronic soft start	Yes
Ingress protection class	IP44
Protection class	Class I
Weight	2.36 kg

### DESCRIPTION

The numbers in the text refer to the diagrams on page 2.

1. Hanging chain
2. Power cable
3. Hanging hook
4. Carbine hook
5. On/off switch
6. Heater
7. Protective grill
8. Remote control
9. Remote control on/off button
10. Receiver for remote control with display
11. Down button
12. Up button
13. Timer button
14. Heat level button

### 3. ASSEMBLY



*This heater should be installed by a competent person, i.e. a qualified electrician.*



*Always disconnected the heater from the electrical supply and allow it to cool before installation.*

#### Installing the heater (Fig. A, C)



*Always mount the device with the supplied accessories.*

Before starting the installation, take the following into consideration:

- Place the device on a firm, level ceiling surface; installation of the heater should be on a strong rigid support (such as strong wooden beams or metal rails etc).
- The device must be hung so that there is 50 cm of free space between the heater and any ceiling, tent canvas etc. There must also be at least 1.80 m between the ground and the underside of the device. Refer to Fig. C. The device can never be hung on a hook in the wall as it could hang at a slant!
- The Hook used to hang the heater must be able to take a weight 3 or 4 times that of the heater itself.
- Ensure that the power supply cable is well mounted and that it does not come into contact with reflector of the heater or that does not trail into heated area.
- Do not install the heater on an inflammable surface.
- If the heater is to be used outside, a weatherproof outlet is highly recommended.
- Before drilling ensure that there are no wires or water pipes in the area where the heater is to be installed.

To install the heater, follow these steps:

- The device is supplied with a hanging chain (1) and two carbine hooks (4). Put a carbine hook (4) on both ends of the chain (1).
- Mount one side of the chain onto the hanging hook (3) using the carbine hook (4), as shown on fig. A.
- Provide an attachment point from which the device can hang down freely and that is sturdy enough to hold the heater without any problems.

Fix it firmly in such a way that it cannot drop, slip, slide or otherwise move.

- Attach the unused carabine hook (4) on the heater chain onto the provided ceiling hook or ceiling hanging eye.
- Take into account the minimum distances as shown on figure C.
- Plug the patio heater into a grounded power outlet. Check beforehand if the voltage rating matches the device.
- Check that the carabiners close properly and that the device hangs immovably. It must not be able to slide, drop, slide or the like! Only operate the heater when it is in the upright position.

#### Assembling the remote control (Fig. B)

- Flip the remote control (8) to the backside and remove the battery cover.
- Insert 2 AAA/ Alkaline type batteries into the remote control (8) in accordance with the instructions and polarity of the batteries..
- Change the batteries in the same way depicted above.

## 4. OPERATION

#### Switching on/off (Fig. A, B)

The heater can be turned on and off using the remote control (8) only. Before use, the power switch (5) on the heater must first be turned on. Without a remote control, the heater cannot be operated. If you do not have the remote control in your possession, please contact Vonroc customer service.

- First turn the switch (5) on the heater to the 'ON' position.
- Press the button (9) on the remote control (8) to turn the heater on.
- To turn the heater off, again press the button (9) on the remote control (8).
- Press the switch (5) on the heater to the 'OFF' position to power off.

Note: Make sure to point the remote control (8) in the direction of the remote control receiver (10). All VONROC heaters and their remote controls use the same frequency, so it is possible to control several heaters with just one remote.

#### Adjusting the power level (Fig. A, B)

The heater power can be adjusted in two levels:

- Level 1 - 1000W (50% power) 'L1' on display (10)
- Level 2 - 2000W (100% power) 'L2' on display (10)

The desired level can be selected using the remote control. Press the heat level button (14) and afterwards use the up button (12) to increase the level and down (11) button to decrease the level.

#### Using the timer function (Fig. A, B)

The heater is equipped with a timer function, enabling the heater to remain on for a selected amount of time. The selectable range is between 0 and 24 hours and will be shown on the display (10).

For example, when selecting 3 hours on the timer, the heater will remain on for 3 hours and then will automatically turn off.

To use the timer, press the heat level button (13) and afterwards set the timer using the up button (12) and down (11) button.

## 5. MAINTENANCE



*Always make sure that the machine is not connected to the mains electricity when you carry out any maintenance of the mechanism.*



**CAUTION:** Risk of Electric Shock. DO NOT open or try to repair the heater yourself.

Clean the machine casings regularly with a soft cloth, preferably after each use. Make sure that the ventilation openings are free of dust and dirt. Re-move very persistent dirt using a soft cloth moistened with soapsuds. Do not use any solvents such as gasoline, alcohol, ammonia, etc. Chemicals such as these will damage the synthetic components.

- DO NOT use alcohol, gasoline, abrasive powders, furniture polish or rough brushes to clean the heater. This may cause damage or deterioration to the surface of the heater.
- DO NOT immerse the heater in water
- Wait until the heater is completely dry before use.

**ATTENTION:**

- Always disconnect the heater from the electricity supply and allow it to cool before attempting to clean it.
- If the heater has collected dust or dirt inside the unit or around the heating element, have to unit cleaned by a qualified service agent. Do not operate the heater in this condition.
- The only maintenance required is cleaning of the external surfaces of the heater.
- Do not touch the heating element with bare fingers, as residue from your hand could affect the life of the lamp. If it is accidentally touched, remove the finger marks with a soft cloth moistened with mentholated spirit or alcohol.
- Do not attempt to repair or adjust any electrical or mechanical functions on this heater.
- The heater contains no user serviceable parts. Should the product suffer damage or break-down, it must be returned to the manufacturer or its service agent.
- Damaged supply cords to be replaced by the manufacturer, service agent or similarly qualified person in order to avoid hazard.

**Storage**

Store the heater in a cool, dry location when not in use to prevent dust and dirt build up. Use packaging carton to store.

**Trouble Shooting**

If the heater will not operate, please check the following before seeking repair or service:

- Check if the power cord is plugged into an electrical outlet, if not plug in.
- Check if electricity to the main fuse is working.
- Make certain the power switches are turned on. If not, choose a setting.

**ENVIRONMENT**

*Faulty and/or discarded electrical or electronic apparatus have to be collected at the appropriate recycling locations.*

**Only for EC countries**

Do not dispose of power tools into domestic waste. According to the European Guideline 2012/19/EC for Waste Electrical and Electronic Equipment and its implementation into national right, power tools that are no longer usable must be collected

separately and disposed of in an environmentally friendly way.

**WARRANTY**

VONROC products are developed to the highest quality standards and are guaranteed free of defects in both materials and workmanship for the period lawfully stipulated starting from the date of original purchase. Should the product develop any failure during this period due to defective material and/or workmanship then contact VONROC directly.

The following circumstances are excluded from this guarantee:

- Repairs and/or alterations have been made or attempted to the machine by unauthorized service centers;
- Normal wear and tear;
- The tool has been abused, misused or improperly maintained;
- Non-original spare parts have been used.

This constitutes the sole warranty made by company either expressed or implied. There are no other warranties expressed or implied which extend beyond the face hereof, herein, including the implied warranties of merchantability and fitness for a particular purpose. In no event shall VONROC be liable for any incidental or consequential damages. The dealers remedies shall be limited to repair or replacement of nonconforming units or parts.

**The product and the user manual are subject to change. Specifications can be changed without further notice.**

## 1. SICHERHEITSANWEISUNGEN

Lesen Sie die beiliegenden Sicherheitsanweisungen, die zusätzlichen Sicherheitsanweisungen sowie diese Bedienungsanleitung sorgfältig durch. Bei Nichtbeachten der Sicherheitsanweisungen und der Bedienungsanleitung kann es zu einem Stromschlag, einem Brand und/oder schweren Verletzungen kommen. Bewahren Sie die Sicherheitsanweisungen und die Bedienungsanleitung zur künftigen Bezugnahme sicher auf.

Folgende Symbole werden im Benutzerhandbuch oder auf dem Produkt verwendet:



*Lesen Sie das Benutzerhandbuch.*



*Bedeutet, dass bei Nichtbeachtung der Anweisungen in dieser Anleitung Verletzungen, Tod oder Beschädigung des Heizgeräts die Folge sein können.*



*Gefahr eines Stromschlags.*



*Achtung, Heiße Oberfläche!*



*Das Gerät nicht abdecken.*



*Erdungssymbol. Dieses Gerät ist als Schutzklasse I eingestuft und muss an eine geerdete Netzsteckdose angeschlossen werden.*



*Das Produkt entspricht den geltenden Sicherheitsnormen der europäischen Richtlinien.*

**ALLGEMEINE SICHERHEITSHINWEISE  
DIESE ANWEISUNGEN MÜSSEN SORGFÄLTIG  
GELESEN UND ZUM SPÄTEREN NACHSCHLAGEN  
AUFBEWAHRT WERDEN, Der Hersteller kann nicht  
für Schäden haftbar gemacht werden, die durch  
Nichtbeachtung dieser Anweisungen entstehen.**

**WICHTIGE SICHERHEITSANWEISUNGEN**  
SORGFÄLTIG LESEN – Dieses Infrarotheizgerät ist für einen sicheren Betrieb ausgelegt. Dennoch können Installation, Wartung und Betrieb des Heizgeräts gefährlich sein. Die Einhaltung der folgenden Verfahren verringert das Risiko von Feuer, Stromschlag und Verletzungen und reduziert die Installationsdauer auf ein Minimum. Bewahren Sie

diese Anweisungen zur späteren Verwendung auf.

- Lesen Sie alle Anweisungen, bevor Sie das Heizgerät verwenden.
- Nehmen Sie das Gerät aus der Verpackung und prüfen Sie vor der Verwendung, ob es in gutem Zustand ist.
- Lassen Sie keine Kinder mit Teilen der Verpackung (wie z. B. Plastiktüten) spielen.
- Prüfen Sie die Haushaltsspannung, um sicherzustellen, dass sie mit der Nennspezifikation des Heizgeräts übereinstimmt.
- Überprüfen Sie das Netzkabel und den Netzstecker vor der Verwendung sorgfältig, um sicherzustellen, dass sie nicht beschädigt sind.
- Bevor Sie das Netzkabel aus der Steckdose ziehen, achten Sie darauf, das Gerät auszuschalten. Beim Einschalten ist darauf zu achten, dass Ihre Hände trocken sind, um einen Stromschlag zu vermeiden.
- Verwenden Sie den Terrassenheizstrahler nur im Freien oder in einem großen offenen Bereich. Halten Sie alle brennbaren Gegenstände wie Planen, Sonnenschirme, Äste, Möbel, Vorhänge, Papier usw. von dem Gerät fern (mindestens 1 Meter, auch wenn es sich um bewegliche Gegenstände handelt!). Der Abstand zu den Wänden muss mindestens 1 Meter betragen. Der Kopf muss sich mindestens 180 cm über dem Boden befinden. Wenn das Gerät unter einem Dach aufgestellt wird, muss zwischen dem Deckel des Terrassenheizstrahlers und der (nicht brennbaren) Decke ein Abstand von mindestens 50 cm bestehen. Bei einem brennbaren Dach (aus Holz, Kunststoff, Plane usw.) muss dieser Abstand mindestens 1 Meter betragen. Sorgen Sie immer für eine gute Belüftung!
- Platzieren Sie das Gerät nicht direkt über oder unter einer Wandsteckdose (also nicht in unmittelbarer Nähe).
- Diese Terrassenheizung ist nur für den Privatgebrauch bestimmt. Sie sollten sie daher nicht auf Baustellen, in Gewächshäusern, Scheunen oder Ställen usw. verwenden, auch wenn diese weitgehend offen gestaltet sind. Dort ist normalerweise zu viel brennbares Material vorhanden.
- Verwenden Sie diese Terrassenheizung nicht als Saunaheizgerät oder als ständige Heizung für Bereiche oder Zimmer.
- Verwenden Sie diese Terrassenheizung nicht in einem Zwinger oder an einem anderen Ort, an dem sich Tiere befinden.



- Verwenden Sie das Gerät nicht in der Nähe oder in unmittelbarer Nähe einer Badewanne, eines Swimmingpools oder einer Flüssigkeitsquelle. Obwohl das Gerät spritzwassergeschützt ist, sollte der Kontakt mit Wasser vermieden werden. Stellen Sie sicher, dass das Gerät nicht ins Wasser fallen kann, und setzen Sie es keinen starken Wasserstrahlen aus. Berühren Sie das Gerät nicht mit nassen Händen und stellen Sie es nicht in der unmittelbaren Umgebung einer Badewanne, eines Waschrums, eines Swimmingpools oder einer anderen Stelle mit Wasserversorgung auf, da dies zu Gefahren führen kann.
- Zum Schutz vor Stromschlägen tauchen Sie Kabel oder Stecker keinesfalls in Wasser oder andere Flüssigkeiten ein.
- Stecken Sie keine Gegenstände in die Lüftungs- oder Abluftöffnungen und lassen Sie auch keine Gegenstände in diese Öffnungen eindringen, da dies zu einem Stromschlag, Brand oder einer Beschädigung des Heizgeräts führen kann.
- Sorgen Sie für ausreichende Beleuchtung. Die Schalter am Gerät müssen aus einer Entfernung von 1 Meter gut sichtbar sein.
- Ziehen Sie immer den Netzstecker ab, wenn Sie das Gerät nicht benutzen. Lassen Sie das Gerät während des Betriebs nie unbeaufsichtigt, sondern schalten Sie es aus und ziehen Sie den Netzstecker ab. Verwenden Sie das Gerät nicht mit einem Programmiergerät, einer Zeitschaltuhr oder einer anderen Vorrichtung, die das Gerät automatisch einschaltet.
- Verwenden Sie das Heizgerät nicht mit einem externen Spannungsregler wie Dimmer, Drehzahlsteller usw. Dadurch entsteht eine elektrische Gefährdung.
- Achten Sie darauf, dass das Kabel nicht über (scharfe) Kanten hängt, nicht stark gebogen oder geknickt wird und keine heißen Oberflächen berühren kann. Wickeln Sie nicht das Kabel um das Gerät.
- Lassen Sie das Kabel nicht über eine Thekenplatte o.ä. hinausragen, wo Kindern leicht daran ziehen können.
- Stecken Sie während des Betriebs keine Finger oder Gegenstände in das Gitter.
- Lassen Sie das Gerät nicht unbeaufsichtigt, während es läuft.
- Dieses Heizgerät ist nicht für den Gebrauch in Badezimmern, Wäschereien und ähnlichen Innenräumen vorgesehen. Stellen Sie das Heizgerät niemals so auf, dass es in eine Badewanne oder einen anderen Wasserbehälter fallen kann.
- Es kann keine Haftung für Schäden übernommen werden, die durch Nichtbeachtung dieser Anweisungen oder durch unsachgemäße Verwendung oder falsche Handhabung entstehen.
- Dieses Gerät kann von Kindern ab 8 Jahren und Personen mit eingeschränkter körperlicher, sensorischer oder geistiger Leistungsfähigkeit oder mangelnder Erfahrung und mangelndem Wissen verwendet werden, wenn sie eine Aufsicht oder Anweisung zur sicheren Verwendung des Geräts erhalten haben und die Gefahren verstehen beteiligt. Kinder dürfen nicht mit dem Gerät spielen. Reinigung und Wartung durch den Benutzer dürfen nicht von Kindern ohne Aufsicht durchgeführt werden.
- Sollte das Gerät aus irgendeinem Grund Risse oder Brüche aufweisen, oder sollten Sie eine Unvollkommenheit oder Unterbrechung am Aluminiumgehäuse oder einem anderen Teil feststellen, stellen Sie den Betrieb des Geräts sofort ein und ziehen Sie den Netzstecker aus der Steckdose.
- Wenn das Stromkabel auf irgendeine Weise beschädigt ist, muss es vom Hersteller, seinem Kundendienst oder einer ähnlich qualifizierten Person ausgetauscht werden, um eine Gefährdung zu vermeiden.
- Um eine Überhitzung dieses Geräts zu vermeiden, halten Sie die Lufteinlässe und -auslässe sauber und frei von allem, was eine Verstopfung verursachen könnte. Überprüfen Sie regelmäßig alle Ein- und Auslässe, um sicherzustellen, dass sie frei von Schmutz- oder Staubansammlungen sind. NICHT ABDECKEN. Der Warnaufkleber mit dem Hinweis, das Gerät nicht abzudecken, muss nach der Installation gut sichtbar sein. Er sollte sich daher nicht auf der Rückseite befinden.
- Teile des Heizgeräts können 200°C überschreiten. Der Kontakt mit dem Heizrohr, dem Reflektor oder Metallteilen in der Nähe des Heizrohrs kann daher schwere VERBRENNUNGEN verursachen. Um Verbrennungen zu vermeiden, lassen Sie keine nackte Haut die heiße Oberfläche berühren.
- Halten Sie NIEMALS die Hände unter die Heizelemente. Lassen Sie das Heizelement IMMER mindestens 10 Minuten abkühlen, bevor Sie das

- Heizrohr oder benachbarte Teile berühren.
- Lagern Sie in der unmittelbaren Umgebung des Geräts keine brennbaren Flüssigkeiten oder Materialien wie Farbe, Benzin, Gastanks usw. Verwenden Sie das Gerät nicht in brennbarer Umgebung, wie z. B. in der Nähe von Tanks mit brennbarem Gas, Gasrohren oder Sprühdosen. Explosions- und Brandgefahr!
- Dieses Produkt enthält wiederverwertbare Materialien. Entsorgen Sie dieses Produkt nicht als unsortierten Restmüll. Die nächstgelegene Entsorgungsstelle erfahren Sie bei den örtlichen Behörden.

### Elektrische Sicherheit



*Achten Sie stets darauf, dass die Spannung der Stromversorgung mit der Spannung auf dem Typenschild übereinstimmt.*

- Verwenden Sie die Maschine nicht, wenn das Netzkabel oder der Netzstecker beschädigt ist.
- Verwenden Sie nur Verlängerungskabel, die für die Leistungsaufnahme der Maschine geeignet sind und eine Mindestaderstärke von 1,5 mm<sup>2</sup> haben. Falls Sie eine Kabeltrommel verwenden, rollen Sie das Kabel immer vollständig ab.

## 2. ANGABEN ZUM WERKZEUG

### Verwendungszweck

Dieses Produkt ist als Terrassenheizung für den Hausgebrauch konzipiert. Die Heizung ist für private Gärten oder andere Außenbereiche zu Hause vorgesehen. Die Heizung darf nicht zum Heizen eines Innenraums, als Nicht-Haushalts-Außenraumheizung oder zum Trocknen von Textilien oder anderen Materialien verwendet werden. Diese Heizung ist nicht mit einer Vorrichtung zur Steuerung der Raumtemperatur ausgestattet. Verwenden Sie diese Heizung daher nicht in Räumen, in denen sich Personen aufhalten, die den Raum nicht alleine verlassen können, es sei denn, dies wird ständig überwacht. Das Gerät darf nur für den vorgeschriebenen Zweck verwendet werden. Jede andere Verwendung gilt als Missbrauch.

### TECHNISCHE DATEN

Modellnr.	PH509AC
Spannung	220-240 V ~
Frequenz	50-60 Hz
Leistung	2000 W
Heizelementtyp	Kohlefaserlampe
Leistungseinstellungen	1: 1000 W 2: 2000 W
Aufheizdauer	3 Sekunden
Wellenlänge	3,0-1000 Mikrometer
Strahlungsleistung	90%
Heizstrecke	2-3m
Heizbereich	7-9m <sup>2</sup>
Farbtemperatur	1600 K
Überhitzungsschutz	Ja
Elektronischer Sanftanlauf	Ja
Eindringenschutzklasse	IP44
Schutzklasse	Klasse I
Gewicht	2,36 kg

### BESCHREIBUNG

Die Buchstaben und Ziffern im folgenden Text verweisen auf die Abbildungen auf Seite 2.

1. Aufhängekette
2. Stromkabel
3. Aufhängehaken
4. Karabinerhaken
5. Ein-/Ausschalter
6. Heizung
7. Schutzgitter
8. Fernbedienung
9. Fernbedienungstaste zum Ein-/Ausschalten
10. Empfänger für Fernbedienung mit Display
11. Abwärts-Taste
12. Aufwärts-Taste
13. Timer-Taste
14. Taste für die Heizstufe

### 3. MONTAGE



*Dieses Heizgerät sollte von einer sachkundigen Person, d. h. von einem qualifizierten Elektriker, installiert werden.*



*Trennen Sie das Heizgerät vor der Installation immer vom Stromnetz und lassen Sie es abkühlen.*

#### Installation des Heizgeräts (Abb. A, C)



*Montieren Sie das Gerät nur mit dem mitgelieferten Zubehör.*

Vor Installationsbeginn sollten Sie Folgendes berücksichtigen:

- Bringen Sie das Gerät an einer festen, geraden Deckenfläche an; die Installation des Heizgeräts sollte auf einer stabilen, starren Unterlage erfolgen (z. B. starken Holzbalken oder Metallschienen usw.).
- Das Gerät muss so aufgehängt werden, dass zwischen dem Heizgerät und jeder Decke, Zeltplane usw. ein Freiraum von 50 cm bleibt. Außerdem muss zwischen dem Boden und der Unterseite des Geräts ein Abstand von mindestens 1,80 m vorhanden sein. Siehe Abb. C. Das Gerät darf niemals an einem Haken an der Wand aufgehängt werden, da es dann schräg hängen könnte!
- Der Haken, an dem das Heizgerät aufgehängt wird, muss das 3- bis 4-fache Gewicht des Heizgeräts tragen können.
- Stellen Sie sicher, dass die Kabel richtig montiert sind und nicht mit dem Reflektor des Heizgeräts in Berührung kommen oder in den beheizten Bereich gelangen können.
- Bringen Sie das Heizgerät keinesfalls auf einer brennbaren Oberfläche an.
- Wenn das Heizgerät im Freien verwendet werden soll, wird eine wetterfeste Steckdose dringend empfohlen.
- Vergewissern Sie sich vor dem Bohren, dass sich keine Kabel oder Wasserleitungen in dem Bereich befinden, in dem das Heizgerät angebracht werden soll.

Gehen Sie zur Installation des Heizgeräts wie folgt vor:

- Das Gerät wird mit einer Aufhängekette (1) und zwei Karabinerhaken (4) geliefert. Bringen Sie an beiden Enden der Kette (1) einen Karabinerhaken (4) an.

- Montieren Sie eine Seite der Kette mit Hilfe des Karabinerhakens (4) am Aufhängehaken (3), wie in Abb. A gezeigt.
- Sorgen Sie für einen Befestigungspunkt, von dem das Gerät frei herunterhängen kann und der stabil genug ist, um das Heizgerät ohne Probleme zu halten. Befestigen Sie das Gerät auf sichere Weise, so dass es nicht fallen, verrutschen, abrutschen oder sich anderweitig bewegen kann.
- Befestigen Sie den unbenutzten Karabinerhaken (4) an der Heizgerätkette an dem vorgesehenen Haken oder der Aufhängeöse an der Decke.
- Berücksichtigen Sie dabei die Mindestabstände, die in Abbildung C angegeben sind.
- Schließen Sie die Terrassenheizung an eine geerdete Steckdose an. Prüfen Sie vorher, ob die Nennspannung mit dem Gerät übereinstimmt.
- Prüfen Sie, ob die Karabiner richtig schließen und ob das Gerät unbeweglich hängt. Es darf nicht verrutschen, herunterfallen oder ähnliches! Betreiben Sie das Heizgerät nur in aufrechter Position.

#### Zusammenbau der Fernbedienung (Abb. B)

- Drehen Sie die Fernbedienung (8) um und entfernen Sie den Batteriefachdeckel.
- Legen Sie 2 Alkali-Batterien vom Typ AAA in die Fernbedienung (8) ein, und beachten Sie dabei die Anweisungen und die Polarität der Batterien.
- Wechseln Sie die Batterien auf die gleiche Weise wie oben dargestellt.

### 4. BETRIEB

#### Ein-/Ausschalten (Abb. A, B)

Das Heizgerät kann nur mit der Fernbedienung (8) ein- und ausgeschaltet werden. Vor dem Gebrauch muss zuerst der Netzschalter (5) am Heizgerät eingeschaltet werden. Ohne Fernbedienung kann die Heizung nicht betrieben werden. Wenn sich die Fernbedienung nicht in Ihrem Besitz befindet, wenden Sie sich bitte an den Vonroc-Kundendienst.

- Stellen Sie zuerst den Schalter (5) am Heizgerät auf die Position 'ON' (Ein).
- Drücken Sie die Taste (9) auf der Fernbedienung (8), um das Heizgerät einzuschalten.
- Um das Heizgerät auszuschalten, drücken Sie auf der Fernbedienung (8) erneut die Taste (9).
- Stellen Sie den Schalter (5) am Heizgerät auf die Position 'OFF' (Aus), um das Gerät auszuschalten.

Hinweis: Achten Sie darauf, die Fernbedienung (8) in Richtung des Fernbedienungsempfängers (10) zu richten. Alle VONROC-Heizgeräte und ihre Fernbedienungen verwenden dieselbe Frequenz, so dass es möglich ist, mehrere Heizgeräte mit nur einer Fernbedienung zu steuern.

#### Anpassung der Leistungsstufe (Abb. A, B)

Die Heizleistung kann in zwei Stufen eingestellt werden:

- Stufe 1 - 1000W (50 % Leistung) 'L1' auf dem Display (10)
- Stufe 2 - 2000W (100 % Leistung) 'L2' auf dem Display (10)

Die gewünschte Stufe ist über die Fernbedienung auswählbar. Drücken Sie die Taste für die Heizstufe (14) und danach die Aufwärts-Taste (12), um die Stufe zu erhöhen, bzw. die Abwärts-Taste (11), um die Stufe zu verringern.

#### Verwendung der Timer-Funktion (Abb. A, B)

Die Heizung ist mit einer Timer-Funktion ausgestattet, um sie für eine gewünschte Dauer eingeschaltet zu lassen. Der wählbare Bereich liegt zwischen 0 und 24 Stunden und wird auf dem Display (10) angezeigt.

Wenn mit dem Timer beispielsweise 3 Stunden gewählt werden, bleibt die Heizung 3 Stunden lang an und schaltet sich danach automatisch aus.

Um den Timer zu nutzen, drücken Sie die Taste für die Heizstufe (13) und stellen danach den Timer mit Hilfe der Aufwärts-Taste (12) und der Abwärts-Taste (11) ein.

## 5. WARTUNG



*Achten Sie immer darauf, dass die Maschine nicht an das Stromnetz angeschlossen ist, wenn Sie Wartungsarbeiten an dem Gerät durchführen.*



*VORSICHT: Stromschlagrisiko. Öffnen Sie das Heizgerät NICHT und versuchen Sie NICHT, es selbst zu reparieren*

Die Maschinengehäuse regelmäßig mit einem weichen Tuch reinigen, vorzugsweise nach jedem Gebrauch. Sicherstellen, dass die Ventilatoröffnungen frei von Staub und Schmutz sind. Sehr hartnäckigen Schmutz mit einem mit Seifenlauge befeuchteten

Tuch entfernen. Keine Lösungsmittel, wie Benzin, Alkohol, Ammoniak usw., da solche Chemikalien die synthetischen Komponenten beschädigen können.

- Verwenden Sie zum Reinigen des Heizgeräts KEINESFALLS Alkohol, Benzin, Scheuerpulver, Möbelpolitur oder raue Bürsten. Dies kann zu einer Beschädigung oder Verschlechterung der Oberfläche des Geräts führen.
- Das Heizgerät NICHT in Wasser eintauchen.
- Warten Sie vor der nächsten Verwendung, bis das Heizgerät vollständig trocken ist.

#### ACHTUNG:

- Trennen Sie das Heizgerät vor einem Reinigungsversuch immer von der Stromversorgung und lassen Sie es abkühlen.
- Wenn sich Staub oder Schmutz im Inneren des Geräts oder um das Heizelement herum angesammelt hat, muss das Gerät von einem qualifizierten Kundendienstmitarbeiter gereinigt werden. Betreiben Sie das Heizgerät in einem solchen Fall nicht weiter.
- Die einzige erforderliche Pflege ist die Reinigung der Außenflächen des Heizgeräts.
- Berühren Sie das Heizelement nicht mit bloßen Fingern, da Rückstände von der Hand die Lebensdauer der Lampe beeinträchtigen könnten. Wenn es versehentlich berührt wird, entfernen Sie die Fingerabdrücke mit einem weichen, mit mentholisiertem Alkohol oder Alkohol befeuchteten Tuch.
- Versuchen Sie nicht, elektrische oder mechanische Funktionen dieses Heizgerät zu reparieren oder einzustellen.
- Das Heizgerät enthält keine vom Benutzer zu wartenden Teile. Sollte das Produkt einen Schaden oder einen Defekt erleiden, muss es an den Hersteller oder dessen Kundendienstvertreter zurückgeschickt werden.
- Ein beschädigtes Netzkabel muss vom Hersteller, dem Kundendienst oder einer ähnlich qualifizierten Person ausgetauscht werden, um Gefährdungen zu vermeiden.

#### Aufbewahrung

Bewahren Sie das Heizgerät bei Nichtgebrauch an einem kühlen, trockenen Ort auf, um die Ansammlung von Staub und Schmutz zu vermeiden. Verwenden Sie zur Aufbewahrung den Verpackungskarton.

### Fehlersuche

Wenn das Heizgerät nicht funktioniert, überprüfen Sie bitte Folgendes, bevor Sie eine Reparatur oder Wartung durchführen lassen:

- Prüfen Sie, ob das Netzkabel an eine Steckdose angeschlossen ist; falls nicht, stecken Sie es ein
- Prüfen Sie, ob die Stromzufuhr zur Hauptsicherung funktioniert
- Stellen Sie sicher, dass die Netzschalter eingeschaltet sind; falls nicht, wählen Sie eine Einstellung

## UMWELTSCHUTZ



*Schadhafte und/oder zu entsorgende elektrische oder elektronische Werkzeuge und Geräte müssen an den dafür vorgesehenen Recycling-Stellen abgegeben werden.*

### Nur für EG-Länder

Entsorgen Sie Elektrowerkzeuge nicht über den Hausmüll. Entsprechend der EU-Richtlinie 2012/19/EG über Elektro- und Elektronik-Altgeräte sowie der Umsetzung in nationales Recht müssen Elektrowerkzeuge, die nicht mehr im Gebrauch sind, getrennt gesammelt und umweltschonend entsorgt werden.

## GARANTIE

VONROC-Produkte werden nach den höchsten Qualitätsstandards entwickelt und sind für den gesetzlich festgelegten Zeitraum, ausgehend von dem ursprünglichen Kaufdatum, garantiert frei von Fehlern in Material und Ausführung. Sollte das Produkt in diesem Zeitraum aufgrund von Material- und/oder Verarbeitungsmängeln Fehler aufweisen, wenden Sie sich bitte direkt an VONROC Kundendienst.

Folgende Umstände sind von der Garantie ausgeschlossen:

- Reparaturen und oder Änderungen an der Maschine, die durch nicht-autorisierte Servicestellen vorgenommen oder versucht wurden.
- Normale Abnutzung und Verschleiß.
- Das Werkzeug wurde übermäßig beansprucht, missbräuchlich verwendet oder falsch gewartet.
- Es wurden keine Original-Ersatzteile verwendet.

Dies stellt die einzige Gewährleistung des Unternehmens dar, sowohl ausdrücklich als auch implizit.

Es gibt keine anderen ausdrücklichen oder stillschweigenden Garantien, die über das hier Genannte hinausgehen, einschließlich der stillschweigenden Garantien der Marktgängigkeit oder Eignung für einen bestimmten Zweck. In keinem Fall ist VONROC haftbar für Neben- oder Folgeschäden. Die Rechtsmittel des Händlers beschränken sich auf Reparatur oder Ersatz fehlerhafter Einheiten oder Teile.

**Am Produkt und am Benutzerhandbuch können Änderungen vorgenommen werden. Die technischen Daten können sich ohne Vorankündigung ändern.**

## 1. VEILIGHEIDSVOORSCHRIFTEN

Lees de bijgesloten veiligheidswaarschuwingen, de aanvullende veiligheidswaarschuwingen en de instructies. Het niet opvolgen van de veiligheidswaarschuwingen kan elektrische schokken, brand en/of ernstig letsel tot gevolg hebben. Bewaar de veiligheidswaarschuwingen en instructies als naslagwerk voor later.

De volgende symbolen worden gebruikt in de gebruikershandleiding of op het product:



*Lees de gebruikershandleiding.*



*Duidt op het risico van lichamelijk letsel, overlijden en/of beschadiging van de verwarming, als de instructies in deze gebruiksaanwijzing niet in acht worden genomen.*



*Gevaar voor elektrische schokken.*



*Opgepast heet oppervlak!*



*Dek het toestel niet af.*



*Aardingssymbool. Dit apparaat is geclassificeerd als beschermingsklasse I en moet worden aangesloten op een geaard stopcontact.*



*Het product is in overeenstemming met de van toepassing zijnde veiligheidsnormen in de Europese richtlijnen.*

**ALGEMENE VEILIGHEIDSVOORSCHRIFTEN**  
**LEES DEZE INSTRUCTIES AANDACHTIG DOOR EN**  
**BEWAAR ZE ZODAT U ZE LATER OOK NOG KUNT**  
**RAADPLEGEN, De fabrikant kan niet aansprakelijk**  
**worden gesteld voor schade die wordt veroorzaakt**  
**door het niet in acht nemen van deze instructies.**

### BELANGRIJKE VEILIGHEIDSVOORSCHRIFTEN

LEES AANDACHTIG DOOR - De infrarood kachel is ontworpen voor veilig gebruik. Toch kan installatie, onderhoud en gebruik van de verwarming gevaarlijk zijn. Wanneer u de volgende procedures in acht neemt zal dat het risico van brand, elektrische schok, persoonlijk letsel verminderde en de tijd die de installatie vraagt tot een minimum beperken.

Bewaar deze instructies zodat u ze later ook nog kunt raadplegen.

- Lees alle instructies voor u deze verwarming in gebruik neemt.
- Haal het toestel uit de verpakking en controleer dat het in goede staat is, voordat u het gaat gebruiken.
- Laat niet kinderen spelen met onderdelen van de verpakking (zoals plastic zakken).
- Controleer de spanning van de stroomvoorziening in uw huis, zodat u zeker weet dat die overeenkomt met de nominale specificatie van de verwarming.
- Controleer het netsnoer en de stekker goed voor u ze gebruikt, zodat u zeker weet dat ze niet beschadigd zijn.
- U moet, voordat u de stekker uit het stopcontact trekt, het toestel uitschakelen, let erop, wanneer u het toestel inschakelt, dat uw handen droog zijn zodat een elektrische schok wordt voorkomen.
- Gebruik de terrasverwarming alleen buiten of in een grote open ruimte. Houd alle brandbare voorwerpen zoals dekkleden, parasols, takken, meubilair, gordijnen, papier, enz. weg bij het toestel (ten minste 1 meter, ook als het niet-stationaire voorwerpen zijn!). De afstand tot muren moet ten minste 1 meter zijn. De kop moet zich ten minste 180 cm boven de grond bevinden. Plaats u het toestel onder een dak, dan moet er een ruimte zijn van ten minste 50 cm tussen de kap van de terrasverwarming en het (niet-brandbare) plafond. Met een brandbaar dak (hout, kunststof, doek, enz.) moet de afstand ten minste 1 meter zijn. Zorg altijd voor goede ventilatie!
- Plaats het toestel niet vlak boven of onder een wandstopcontact (niet in de onmiddellijke nabijheid).
- De terrasverwarming is alleen bedoeld voor huishoudelijk gebruik. U mag het toestel daarom niet gebruiken op bouwlocaties, in kassen, schuren of stallen, enz., zelfs niet als zij grotendeels open zijn. Er is daar meestal teveel brandbaar materiaal.
- Gebruik de terrasverwarming niet als verwarming in een sauna of als een permanente verwarming in een ruimte of een vertrek.
- Gebruik de terrasverwarming niet in een kennel of een andere locatie waar dieren aanwezig zijn.
- Gebruik het toestel niet in de onmiddellijke nabijheid van een bad of zwembad of een andere

vloeistofbron. Het toestel is wel spatwaterbestendig, maar u moet voorzichtig zijn met water. Zorg ervoor dat het toestel niet in het water kan vallen en stel het niet bloot aan krachtige waterstralen. Raak het niet aan met natte handen en plaats het toestel niet in de ruimte direct rond een bad, badkamer, zwembad of een andere watervoorziening, omdat dat gevaarlijk is.

- Bescherm uzelf tegen een elektrische schok, dompel het snoer of de stekken niet onder in water of een andere vloeistof.
- Steek geen vreemde voorwerpen in een ventilatieopening of uitlaatopening en laat geen voorwerpen in het toestel komen, omdat dit een elektrische schok, brand of beschadiging van de verwarming kan veroorzaken.
- Zorg voor voldoende verlichting. De schakelaars van het toestel moeten goed zichtbaar zijn van een afstand van 1 meter.
- Trekt altijd de stekker van de verwarming uit het stopcontact, wanneer u het toestel niet gebruikt. Laat het toestel nooit onbeheerd achter terwijl het in gebruik is, maar schakel het uit en trekt de stekker uit het stopcontact. Gebruik het toestel niet met een tijdklok of een ander toestel dat de verwarming automatisch inschakelt.
- Gebruikte verwarming niets met een externe spanningsregelaar zoals een dimmer, snelheidsregelaar, enz. Hierdoor ontstaat een elektrisch risico.
- Controleer dat het snoeren niet over (scherpe) randen hangt, dat er geen knikken inzitten, dat het niet in contact komt met hete oppervlakken. Wind het snoer niet rond het toestel.
- Laat het koord niet over een werkblad hangen waar kinderen er gemakkelijk aan kunnen trekken.
- Steek geen vingers of vreemde voorwerpen in het rooster, terwijl het toestel aanstaat.
- Laat het apparaat niet onbeheerd achter wanneer het in gebruik is.
- De verwarming is niet bedoeld voor gebruik in badkamers, wasruimtes of dergelijke locaties binnenshuis, plaats de verwarming nooit op een plaats waar het toestel in een badkuip of in een andere waterbak kan vallen.
- Er kan geen aansprakelijkheid worden aanvaard voor schade die wordt veroorzaakt door het niet naleven van deze instructies of door ander niet passend gebruik of verkeerde behandeling.
- Dit apparaat kan worden gebruikt door kinderen van 8 jaar en ouder en personen met verminderde fysieke, sensorische of mentale vermogens of gebrek aan ervaring en kennis, mits ze onder toezicht staan of instructies hebben gekregen over het veilig gebruiken van het apparaat en de gevaren begrijpen. Betrokken kinderen mogen niet met het apparaat spelen. Reiniging en gebruikersonderhoud mogen niet zonder toezicht door kinderen worden uitgevoerd.
- Als het toestel om welke reden dan ook scheuren of breuken laat zien, of als u een beschadiging of onderbreking van de aluminium behuizing of een ander onderdeel vaststelt, schakel het toestel dan onmiddellijk uit en trek de stekker uit het stopcontact.
- Als het netsnoer op welke manier dan ook beschadigd is, moet het worden vervangen door de fabrikant of servicemedewerkers of andere gekwalificeerde personen zodat risico's worden voorkomen.
- Voor: oververhitting van dit apparaat, houd luchtinlaten en -uitlaten schoon en vrij van alles wat de openingen zou kunnen blokkeren. Controleer van tijd tot tijd alle inlaten en uitlaten, zodat u zeker weet dat er zich geen vuil of stof in heeft verzameld. **DEK HET TOESTEL NIET AF.** Het waarschuwingslabel met de tekst dat het toestel niet mag worden afgedekt, moet ook na de installatie op een duidelijk zichtbare plaats worden geplakt: het mag niet op de achterzijde zitten.
- Delen van de verwarming kunnen warmer worden dan 200oC, contact met de verwarmingsbuis, reflector of metalen delen dicht bij de verwarmingsbuis, kan ernstige **BRANDWONDEN** veroorzaken. Voorkom brandwonden, let erop dat u niet het hete oppervlak met de blote huid aanraakt.
- Plaats **NOOIT** uw handen onder de verwarmings-elementen. Laat het verwarmingselement **ALTIJD** 10 minuten afkoelen, voordat u de verwarmingsbuis of delen dicht daarbij aanraakt.
- Berg niet brandbare vloeistoffen of materialen, zoals verf, petroleum, gastanks, enz. in de onmiddellijke nabijheid van het toestel. Gebruik het toestel niet in een brandbare atmosfeer, zoals in de buurt van brandbare gastanks, gasbuizen of spuitbussen. Gevaar voor explosie en brand!
- Dit product bevat materialen die kunnen worden gerecycled. Gooi dit product niet weg als ongesorteerd huishoudelijk afval. Neem contact op met de plaatselijke autoriteiten voor het dichtstbijzijnde inzamelpunt.

**Elektrische veiligheid**

*Controleer altijd of de spanning van de stroomtoevoer overeenkomt met de spanning op het typeplaatje.*

- Gebruik de machine niet indien het netsnoer of de netstekker zijn beschadigd.
- Gebruik uitsluitend verlengkabels die geschikt zijn voor het vermogen van de machine met een minimale dikte van 1,5 mm<sup>2</sup>. Indien u een verlengkabelhaspel gebruikt, rol dan altijd de kabel volledig uit.

**2. TECHNISCHE INFORMATIE****Bedoeld gebruik**

Dit product is ontworpen als terrasverwarmer voor woonomgevingen. De kachel is bedoeld voor privé-tuinen of andere buitenruimtes in huis. De kachel mag niet worden gebruikt voor het verwarmen van een binnenruimte, voor gebruik als niet-huishoudelijke buitenverwarmer of voor het drogen van textiel of andere materialen. Deze kachel is niet uitgerust met een apparaat om de kamertemperatuur te regelen, dus gebruik deze kachel niet in ruimtes waar ze worden bewoond door personen die de kamer niet alleen kunnen verlaten, tenzij er constant toezicht wordt geboden. Het apparaat mag alleen worden gebruikt voor het voorgeschreven doel. Elk ander gebruik wordt als misbruik aangemerkt.

**TECHNISCHE SPECIFICATIES**

Modelnr.	PH509AC
Spanning	220 - 240 V ~
Frequentie	50-60 Hz
Vermogen	2000 W
Vermogensinstellingen	1: 1000 W 2: 2000 W
Type verwarmingselement	Carbonfiberlamp
Verwarmingstijd	3 seconden
Golf lengte	3,0 - 1000 micron
Straalefficiëntie	90%
Verwarmingsafstand	2 - 3 m
Verwarmingsbereik 7 - 9m <sup>2</sup>	7-9m <sup>2</sup>
Kleurtemperatuur	1600 K

Oververhittingsbeveiliging	Ja
Elektronische zachte start	Ja
Beschermingsklasse tegen indringing	IP44
Beschermingsklasse	Klasse I
Gewicht	2,36 kg

**BESCHRIJVING**

De nummers in de tekst verwijzen naar de diagrammen op pagina 2.

1. Ophangketting
2. Voedingskabel
3. Ophanghaak
4. Karabijnhaak
5. Aan/uit-schakelaar
6. Verwarming
7. Beschermend rooster
8. Afstandsbediening
9. Aan/Uit-schakelaar van de afstandsbediening
10. Ontvanger voor de afstandsbediening met display
11. Knop Omlaag
12. Knop Omhoog
13. Timer-knop
14. Knop Verwarmingsniveau

**3. ASSEMBLAGE**

*Deze verwarming moet worden geïnstalleerd door een vakbekwaam persoon, d.w.z. een bevoegd elektricien.*



*Koppel voor installatie de verwarming altijd los van de stroomvoorziening en laat het toestel afkoelen.*

**De verwarming installeren (Afb. A, C)**

*Monteer het toestel altijd met de bijgeleverde accessoires.*

Houd, voordat u met de installatie begint, rekening met het volgende:

- Plaats het toestel op een stevig, vlak plafondoppervlak; de installatie van de verwarming moet worden uitgevoerd op een sterke, stijve steun (zoals sterke houten balken of een metalen rails, enz.).
- Het toestel moet zo worden opgehangen dat er een vrije ruimte van 50 cm is tussen de verwar-



ming en een plafond, tentdoek, enz. Er moet ook ten minste 1,80 m ruimte zijn tussen de grond en de onderzijde van het toestel. Zie Afb. C.

Het toestel mag nooit worden opgehangen aan een haak in de muur, omdat het dan schuin kan hangen!

- De haak die wordt gebruikt voor het ophangen van de verwarming moet een gewicht van 3 tot 4 keer dat van de verwarming zelf kunnen dragen.
- Zorg ervoor dat de voedingskabel goed is aangelegd en dat de kabel niet in contact komt met de reflector van de verwarming of in het verwarmde gebied ligt.
- Installeer de verwarming niet op een brandbaar oppervlak.
- Als de verwarming buiten moet worden gebruikt, is het zeer aan te bevelen een weersbestendig stopcontact te gebruiken.
- Controleer voor u gaat boren dat er geen draden of waterleidingen liggen in het gebied waar de verwarming moet worden geïnstalleerd.

Ga als volgt stapsgewijs te werk bij het installeren van de verwarming:

- Het toestel wordt geleverd met een ophangketting (1) en twee karabijnhaken (4). Breng een karabijnhaak (4) aan beide zijden van de ketting (1) aan.
- Plaats één zijde van de ketting met behulp van de karabijnhaak (4) op de ophanghaak (3), zoals wordt getoond in afb. A.
- Zorg voor een bevestigingspunt waaraan het toestel vrij kan hangen en dat stevig genoeg is, zodat de verwarming zonder problemen aan kan hangen. Zet het stevig zo vast dat het niet kan vallen, wegglijden, wegschuiven of op een andere manier kan bewegen.
- Bevestig een ongebruikte karabijnhaak (4) op de ketting van de verwarming op de geleverde plafondhaak of een ophang oog aan het plafond.
- Houd rekening met de minimale afstanden, zoals in afbeelding C wordt getoond.
- Steek de stekker van de terrasverwarming in een geaard stopcontact. Controleer van tevoren of de nominale spanning overeenkomt met die van het toestel.
- Controleer dat de karabijnhaken goed sluiten en dat het toestel onbeweeglijk hangt. Het mag niet kunnen glijden, vallen, verschuiven of iets dergelijks! Gebruik de verwarming alleen wanneer je deze in een rechtstandige positie is.

#### De afstandsbediening monteren (Afb. B)

- Keer de afstandsbediening (8) om en verwijder het batterijkapje.
- Plaats 2 alkalinebatterijen van het type AAA in de afstandsbediening (8), volg daarbij de instructies en let op de polariteit van de batterijen.
- Vervangen de batterijen op de wijze die hierboven wordt beschreven.

## 4. BEDIENING

### In-/uitschakelen (Afb. A, B)

De verwarming kan alleen met de afstandsbediening (8) in- en uitgeschakeld worden. Voordat u de verwarming kunt gebruiken, moet u de Aan/uitschakelaar (5) op de verwarming op Aan zetten. U kunt de verwarming niet bedienen zonder de afstandsbediening. Heeft u de afstandsbediening niet, neem dan contact op met de klantenservice van Vonroc.

- Zet eerst de schakelaar (5) op de verwarming in de stand 'ON' (Aan).
- Zet de verwarming aan met een druk op de knop (9) op de afstandsbediening (8).
- U kunt de verwarming uitschakelen door weer op de knop (9) op de afstandsbediening (8) te drukken.
- U schakelt de verwarming helemaal uit door de schakelaar (5) in de stand 'OFF' (Uit) te drukken.

NB: Denk eraan dat u de afstandsbediening (8) in de richting van de ontvanger (10) van de afstandsbediening moet wijzen. Alle VONROC-verwarmingen en hun afstandsbedieningen gebruiken dezelfde frequentie, dus u kunt meerdere verwarmingen bedienen met slechts één afstandsbediening.

### Het vermogensniveau afstellen (Afb. A, B)

Het vermogen van de verwarming kan op de volgende twee niveaus worden afgesteld:

- Niveau 1 - 1000W (50% van het vermogen) 'L1' op de display (10)
- Niveau 2 - 2000W (100% van het vermogen) 'L2' op de display (10)

Het gewenste niveau kan m.b.v. de afstandsbediening worden ingesteld. Druk op de knop Verwarmingsniveau (14) en gebruik daarna de knop Omhoog (12) om het niveau te verhogen en de knop Omlaag (11) om het niveau te verlagen.

### Het gebruik van de timerfunctie (Afb. A, B)

De verwarming is voorzien van een timerfunctie, waarmee het mogelijk is om de verwarming gedurende een bepaalde, geselecteerde tijd nog te laten functioneren. De te selecteren tijd varieert van 0 - 24 uur en wordt op de display (10) weergegeven. Als op de timer bijvoorbeeld de tijd '3 uur' wordt geselecteerd, zal de verwarming nog 3 uur blijven functioneren en daarna automatisch uitschakelen. Om de Timer te gebruiken, drukt u op de knop Verwarmingsniveau (14) en daarna stelt u de Timer in met de knop Omhoog (12) en de knop Omlaag (11).

## 5. ONDERHOUD



*Controleer altijd dat het toestel niet op de stroomvoorziening is aangesloten wanneer u onderhoud aan het mechanisme uitvoert.*



**VOORZICHTIG:** *Risico op een elektrische schok. Maak de verwarming NIET open en probeer NIET zelf de verwarming te repareren.*

Maak de behuizing van het apparaat regelmatig schoon met een zachte doek, bij voorkeur na ieder gebruik. Controleer of de ventilatie-openingen vrij zijn van stof en vuil. Verwijder hardnekkig vuil met een zachte doek vochtig gemaakt met een zee-oplossing. Gebruik geen oplosmiddelen zoals benzine, alcohol, ammoniak, enzovoorts. Chemicaliën zoals deze kunnen de synthetische componenten beschadigen.

- GEBRUIK GEEN alcohol, benzine, schuurpoeders, meubelwas of ruwe borstels voor het reinigen van de verwarming. Dit kan beschadiging en aantasting van het oppervlak van de verwarming tot gevolg hebben.
- Dompel de verwarming NIET onder in water.
- Gebruik de verwarming pas weer deze geheel droog is.

### LET OP:

- Koppel voor u de verwarming gaat schoonmaken, het toestel altijd los van de stroomvoorziening en laat het afkoelen.
- Als er zich een stof of vuil heeft verzameld binnen in het toestel of rond het verwarmingselement, laat het toestel dan reinigen door een gekwalificeerde servicemonteur. Schakel de

verwarming niet wanneer het toestel in deze staat is.

- Het enige onderhoud dat de verwarming vraagt is het schoonmaken van de oppervlakken aan de buitenzijde.
- Raak het verwarmingselement niets met blote vingers aan, omdat resten van uw hand de levensduur van de lamp kunnen bekorten. Heeft u het element per ongeluk aangeraakt, verwijder dan de vingerafdrukken met een zachte doek die u vochtig heeft gemaakt met spiritus of alcohol.
- Probeer niet elektrische of mechanische functies op deze verwarming te repareren of af te stellen.
- De verwarming bevat geen onderdelen waaraan de gebruiker onderhoud kan uitvoeren. Als dit product beschadigd raakt of niet meer werkt, moet het worden teruggestuurd naar de fabrikant of zijn servicemonteur.
- Als het netsnoer beschadigd is, moet het worden vervangen door de fabrikant, een servicemonteur of iemand met een dergelijke kwalificatie, zodat risico's worden voorkomen.

### Opslag

Berg de verwarming op in een koele, droge opslagruimte, wanneer u het toestel niet gebruikt, zodat er zich geen vuil en stof op kunnen verzamelen. Gebruik de verpakking voor opslagdoeleinden.

### Oplossen van problemen

Als de verwarming niet werkt, controleer dan het volgende voordat u een verzoek indient voor reparatie of service:

- Controleer of de stekker van het netsnoer wel in het stopcontact is gestoken, als dat niet het geval is, steek de stekker in het stopcontact.
- Controleer of er spanning op het stopcontact staat.
- Controleer dat de Aan/uit-schakelaar in de juiste stand staat, is dat niet het geval, schakel dan de verwarming in.

## MILIEU



*Defecte en/of afgedankte elektrische of elektronische gereedschappen dienen ter verwerking te worden aangeboden aan een daarvoor verantwoordelijke instantie.*

### Uitsluitend voor EG-landen

Werp elektrisch gereedschap niet weg bij het huisvuil. Conform de Europese Richtlijn 2012/19/EG voor Afdankte Elektrische en Elektronische Apparatuur en de implementatie ervan in nationaal recht moet niet langer te gebruiken elektrisch gereedschap gescheiden worden verzameld en op een milieuvriendelijke wijze worden verwerkt.

## GARANTIE

VONROC producten zijn ontworpen volgens de hoogste kwaliteitsstandaarden en gegarandeerd vrij van defecten, zowel materieel als fabrieksfouten, tijdens de wettelijk vastgestelde garantieperiode vanaf de eerste aankoopdatum. Mocht het product tijdens deze periode gebreken vertonen veroorzaakt door defecte materialen en/of fabrieksfouten, neem dan rechtstreeks contact op met VONROC.

De volgende situaties vallen niet onder de garantie:

- Er zijn reparaties of aanpassingen aan de machine uitgevoerd, of er is een poging daartoe ondernomen, door een nietgeautoriseerd servicecentrum.
- Normale slijtage.
- De machine is misbruikt, verkeerd gebruikt of slecht onderhouden.
- Er zijn niet-originele reserveonderdelen gebruikt.

Dit vormt de enige garantie opgesteld door het bedrijf zowel expliciet als impliciet. Er bestaan geen andere garanties expliciet of impliciet welke verder gaan dan deze garantie, inclusief impliciete garanties van verkoopbaarheid en geschiktheid voor bepaalde doeleinden. In geen enkel geval kan VONROC aansprakelijk worden gesteld voor incidentele schade of gevolgschade. Reparaties van dealers zijn gelimiteerd tot de reparatie of vervanging van defecte producten of onderdelen.

**Het product en de gebruikershandleiding zijn onderhevig aan wijzigingen. Specificaties kunnen zonder opgaaft van redenen worden gewijzigd.**

## 1. CONSIGNES DE SÉCURITÉ

En plus des avertissements de sécurité suivants, veuillez également lire les avertissements de sécurité additionnels ainsi que les instructions. Le non-respect des avertissements de sécurité et des instructions peut entraîner une décharge électrique, un incendie et/ou des blessures graves. Veuillez conserver les avertissements de sécurité et les instructions pour consultation ultérieure.

Les symboles suivants sont utilisés dans le manuel d'utilisation ou apposés sur le produit:



*Lisez le manuel d'utilisation.*



*Indique un risque de blessure, de décès ou de détérioration de l'appareil de chauffage en cas de non-respect des consignes de ce manuel.*



*Risque de décharge électrique.*



*Attention surface chaude!*



*Ne couvrez pas l'appareil.*



*Symbole de mise à la terre. Cet appareil est classé dans la classe de protection I et doit être connecté à une prise secteur mise à la terre.*



*Le produit est conforme aux normes de sécurité en vigueur spécifiées dans les directives européennes.*

**CONSIGNES GÉNÉRALES DE SÉCURITÉ  
CES INSTRUCTIONS DOIVENT ÊTRE LUES AVEC  
ATTENTION ET CONSERVÉES POUR POUVOIR S'Y RÉ-  
FÉRER ULTÉRIEUREMENT, Le fabricant ne saurait  
être tenu responsable pour un quelconque domma-  
ge consécutif au non-respect de ces instructions.**

### CONSIGNES DE SÉCURITÉ IMPORTANTES

À LIRE AVEC ATTENTION - L'appareil de chauffage à infrarouge a été conçu pour fonctionner en toute sécurité. Cependant, l'installation, la maintenance et l'utilisation de l'appareil de chauffage peuvent être dangereuses. Le respect des procédures qui suivent permet de réduire le risque d'incendie, de décharge électrique, de blessure et il permet de

réduire la durée de l'installation à son minimum. Veuillez à bien conserver ces consignes pour pouvoir vous y référer dans le futur.

- Veuillez à lire toutes les consignes avant d'utiliser ce radiateur.
- Sortez l'appareil de son emballage et contrôlez son bon état avant de l'utiliser.
- Ne laissez pas les enfants jouer avec les morceaux d'emballage (les sacs en plastique par exemple).
- Vérifiez la tension électrique de votre habitation afin de confirmer qu'elle correspond à la tension nominale de l'appareil de chauffage mentionnée.
- Contrôlez soigneusement le cordon électrique et la prise avant l'utilisation, afin de garantir qu'ils sont en bon état.
- Avant de débrancher le cordon électrique, veuillez à éteindre l'appareil et avant de mettre l'appareil en marche, veuillez à ce que vos mains soient sèches, afin d'éviter toute décharge électrique.
- Veuillez à n'utiliser le chauffage de terrasse qu'à l'extérieur ou dans un lieu spacieux et ouvert. Veuillez à éloigner tous les objets inflammables comme les barnums, les bâches, les parasols, les branches, les meubles, les rideaux, le papier, etc. du passage de l'appareil de chauffage (à au moins 1 mètre, même si ce ne sont pas des objets fixes !). La distance avec les murs ne doit pas être inférieure à 1 mètre. La tête doit se trouver à au moins 180 cm au-dessus du sol. Si vous placez l'appareil sous un toit, un espace d'au moins 50 cm doit séparer le chapeau du chauffage de terrasse et le plafond (matériau non-inflammable). Si le toit est en matériau inflammable (bois, plastique, bâche, etc.) la distance doit au moins être égale à 1 mètre. Veuillez à toujours disposer d'une bonne ventilation !
- Ne positionnez pas l'appareil sur ou sous une prise murale (et jamais à proximité immédiate).
- Le chauffage de terrasse n'a été conçu que pour un usage domestique. Vous ne devez donc pas l'utiliser sur des chantiers de construction, dans des serres, des granges ou des écuries, etc., même si ces endroits sont largement découverts. Ces endroits renferment trop de matières inflammables.
- N'utilisez pas ce chauffage de terrasse comme moyen de chauffage dans des saunas ou comme chauffage permanent.
- N'utilisez pas ce chauffage de terrasse dans un chenil ou dans tout autre endroit accueillant des animaux.
- Ne l'utilisez pas à proximité d'une baignoire, d'une piscine ou de tout autre point d'eau. Bien que l'appareil soit protégé contre les éclaboussures, vous devez rester vigilant avec l'eau. Veuillez à ce qu'il ne tombe pas dans l'eau et ne l'exposez pas à de puissants jets d'eau. Ne touchez pas l'appareil avec les mains mouillées et ne l'installez pas à proximité immédiate d'une baignoire, de sanitaires, d'une piscine ou de tout autre point d'eau car cela représente un risque.
- Afin de vous protéger d'une décharge électrique, n'immergez pas le cordon électrique ou la prise dans l'eau, ni dans aucun autre liquide.
- N'insérez et ne laissez pénétrer aucuns corps étrangers dans les ouvertures de ventilation et d'échappement car cela pourrait occasionner une décharge électrique ou un incendie et endommager l'appareil de chauffage.
- Veuillez à ce que l'éclairage soit suffisant. Les interrupteurs de l'appareil doivent rester visibles à une distance de 1 mètre.
- Veuillez à toujours débrancher l'appareil de chauffage lorsqu'il n'est pas utilisé. Ne laissez jamais l'appareil sans surveillance lorsqu'il est en marche. Veuillez à l'éteindre et le débrancher. N'utilisez pas de programmateur, de minuteur ou tout autre dispositif de mise en marche automatique avec l'appareil.
- N'utilisez de régulateur de tension externe, comme un variateur ou un régulateur de vitesse, etc. avec l'appareil. Cela pourrait créer un risque électrique.
- Veuillez à ne pas faire pendre le cordon sur des bords (tranchants), à ne pas trop le plier et à ne pas le faire reposer sur des surfaces chaudes. N'enroulez pas le cordon autour de l'appareil.
- Ne laissez pas le cordon pendre d'une table ou autre afin que les enfants ne puissent pas tirer dessus.
- Veuillez ne pas mettre les doigts et à ne rien insérer dans la grille quand l'appareil est en marche.
- Ne laissez pas l'appareil sans surveillance lorsqu'il est en marche.
- Cet appareil de chauffage n'a pas été conçu pour être utilisé dans des salles de bains, des

buanderie ou tout autre endroit similaire. N'installez jamais l'appareil de chauffage dans un endroit d'où il pourrait tomber, soit dans une baignoire, soit dans un autre contenant rempli d'eau.

- Aucune responsabilité ne saurait être acceptée pour un quelconque dommage consécutif au non-respect de ces consignes ou à une quelle qu'autre utilisation ou manipulation incorrectes.
- Cet appareil peut être utilisé par des enfants âgés de 8 ans et plus et des personnes ayant des capacités physiques, sensorielles ou mentales réduites ou un manque d'expérience et de connaissances s'ils ont reçu une supervision ou des instructions concernant l'utilisation de l'appareil en toute sécurité et comprennent les dangers impliqués. Les enfants ne doivent pas jouer avec l'appareil. Le nettoyage et l'entretien par l'utilisateur ne doivent pas être effectués par des enfants sans surveillance.
- Si, pour une quelconque raison, l'appareil présente des fissures ou des cassures ou si vous détectez une quelconque imperfection ou un quelconque manque d'intégrité sur le boîtier en aluminium, éteignez immédiatement l'appareil et débranchez la prise électrique.
- Si le cordon électrique est endommagé d'une quelconque façon, il doit être remplacé par le fabricant ou l'un de ses prestataires de services ou par une personne de même qualification, afin d'éviter tout risque.
- Afin d'éviter toute surchauffe de cet appareil, gardez les arrivées et les sorties d'air propres et exemptes de tout ce qui pourrait les obturer. Contrôlez de temps en temps les arrivées et les sorties d'air afin de vérifier l'absence d'accumulation de saletés ou de poussière. NE PAS COUVRIR. Cette étiquette d'avertissement indiquant de ne pas couvrir l'appareil doit également être apposée à un endroit bien visible après l'installation. Elle ne doit pas se retrouver derrière l'appareil.
- Certaines pièces de l'appareil peuvent dépasser 200°C, tout contact avec le tube chauffant, le réflecteur ou les pièces métalliques près du tube chauffant peuvent occasionner de graves BRÛLURES. Afin d'éviter les brûlures, ne touchez pas les surfaces chaudes à main nue.
- Ne placez JAMAIS vos mains sous les éléments chauffants. Veillez à TOUJOURS laisser l'élément chauffant refroidir au moins 10 minutes avant

de toucher le tube chauffant ou les pièces à proximité.

- Veillez à ne jamais ranger de liquides inflammables ou des substances comme de la peinture, de l'essence, des bonbonnes de gaz, etc. à proximité immédiate de l'appareil. N'utilisez pas l'appareil dans des environnements inflammables, près de bombonnes de gaz, de canalisations de gaz ou de bombes aérosols par exemple. Risque d'explosion et d'incendie !
- Ce produit est composé de matières recyclables. Ne jetez pas ce produit avec les déchets ménagers non triés. Contactez vos autorités locales pour savoir où le centre de collecte le plus proche se trouve.

### Sécurité électrique



*Vérifiez si la tension d'alimentation électrique correspond bien à celle de la plaque signalétique.*

- N'utilisez pas la machine si le câble secteur ou la fiche secteur est endommagé.
- Utilisez uniquement des rallonges adaptées à la puissance nominale de la machine et d'une section minimum de 1,5 mm<sup>2</sup>. Si vous utilisez une bobine de rallonge, déroulez toujours complètement le câble.

## 2. INFORMATIONS RELATIVES À LA MACHINE

### Utilisation conforme

Ce produit est conçu comme un chauffe-terrace pour les environnements domestiques. Le radiateur est destiné aux jardins privés ou à d'autres espaces extérieurs de la maison. Le radiateur ne doit pas être utilisé pour chauffer un espace intérieur, pour une utilisation comme radiateur extérieur non domestique ou pour le séchage de textiles ou d'autres matériaux. Cet appareil de chauffage n'est pas équipé d'un dispositif de contrôle de la température ambiante. N'utilisez donc pas cet appareil dans des locaux occupés par des personnes incapables de quitter la pièce par elles-mêmes, à moins qu'une surveillance constante ne soit fournie. L'appareil doit être utilisé uniquement aux fins prescrites. Toute autre utilisation est considérée comme un cas d'abus.

## SPÉCIFICATIONS TECHNIQUES

N° de modèle	PH509AC
Tension	220-240 V ~
Fréquence	50-60 Hz
Puissance	2000 W
Réglage puissance	1: 1000 W 2: 2000 W
Type d'élément chauffant	Lampe en fibre de carbone
Délai de chauffe	3 secondes
Longueur d'onde	3,0-1000 microns
Efficacité du rayonnement	90%
Distance de chauffe	2-3m
Zone de chauffe	7-9m <sup>2</sup>
Température de couleur	1600 K
Protection contre la surchauffe	Oui
Démarrage électronique progressif	Oui
Indice de protection	IP44
Classe de protection	Classe I
Poids	2,36 kg

## DESCRIPTION

Les numéros dans le texte se rapportent aux schémas des pages 2.

1. Chaîne de suspension
2. Câble électrique
3. Crochet de suspension
4. Mousqueton
5. Interrupteur Marche/Arrêt
6. Chauffage
7. Grille de protection
8. Télécommande
9. Bouton Marche/Arrêt Télécommande
10. Récepteur pour la télécommande avec écran
11. Bouton Bas
12. Bouton Haut
13. Bouton Minuterie
14. Bouton Niveau de chauffage

## 3. MONTAGE



*Cet appareil de chauffage doit être installé par une personne compétente, un électricien qualifié par exemple.*



*Veillez à toujours débrancher l'appareil de chauffage de l'alimentation électrique et à le laisser refroidir avant de l'installer quelque part.*

### Installer l'appareil de chauffage (Fig. A, C)



*Veillez à toujours installer l'appareil avec les accessoires fournis avec.*

Avant de commencer l'installation, veillez à respecter ce qui suit:

- Positionnez l'appareil sur un surface du plafond, robuste et de niveau ; l'appareil de chauffage doit être installé sur une surface rigide solide (comme une poutre en bois ou un rail métallique, etc.).
- L'appareil doit pendre de sorte qu'il reste un espace libre de 50 cm entre lui et le plafond, la toile de tente, etc. Il doit également rester au moins 1,80 m entre le sol et le dessous de l'appareil. Consultez la Fig. C. L'appareil ne doit jamais pendre d'un crochet installé sur un mur car il serait alors de biais !
- Le crochet utilisé pour suspendre l'appareil de chauffage doit pouvoir supporter 3 à 4 fois le poids de l'appareil lui-même.
- Veillez à ce que le câble d'alimentation soit correctement installé, qu'il ne touche pas le réflecteur de l'appareil de chauffage et qu'il ne traîne pas dans la zone de chauffe.
- N'installez pas l'appareil de chauffage sur une surface inflammable.
- Si l'appareil de chauffage doit être utilisé à l'extérieur, l'utilisation d'une prise étanche est fortement préconisée.
- Avant de percer, contrôlez qu'il n'y a aucun câble et aucune canalisation dans la zone où l'appareil de chauffage doit être installé.

Pour installer l'appareil de chauffage, respectez les étapes suivantes :

- L'appareil est livré avec une chaîne de suspension (1) et deux mousquetons (4). Installez un mousqueton (4) à chaque extrémité de la chaîne (1).

- Installez un côté de la chaîne dans le crochet de suspension (3) à l'aide du mousqueton (4), comme illustré par la fig. A.
- Veillez à choisir un système de fixation d'où l'appareil pourra pendre librement et suffisamment solide pour supporter l'appareil de chauffage sans problème. Fixez-le fermement de sorte qu'il ne puisse ni chuter, ni glisser, ni coulisser, ni bouger d'une quelconque façon.
- Fixez le mousqueton libre (4) sur la chaîne de l'appareil au crochet ou à l'anneau dans le plafond.
- Respectez les distances recommandées, comme illustré par la figure C.
- Branchez le chauffage de terrasse dans une prise de courant reliée à la terre. Contrôlez en amont que la tension nominale correspond à la tension de l'appareil.
- Contrôlez que les mousquetons se referment correctement que l'appareil pend sans bouger. Il ne doit ni glisser, ni chuter, ni coulisser ! Ne faites fonctionner l'appareil de chauffage que s'il est bien droit.

#### Assembler la télécommande (Fig. B)

- Retournez la télécommande (8) et retirez le cache-piles.
- Insérez 2 piles alcalines AAA dans la télécommande (8) en respectant les instructions et la polarité des piles.
- Le remplacement des piles est réalisé de la même manière que décrite ci-dessus.

## 4. FONCTIONNEMENT

#### Mise en marche et extinction (Fig. A, B)

Il n'est possible d'allumer et d'éteindre l'appareil de chauffage qu'avec la télécommande (8). Avant l'utilisation, l'interrupteur (5) sur l'appareil de chauffage doit d'abord être mis sur la position Marche. Il est impossible de faire fonctionner l'appareil de chauffage sans la télécommande. Si vous perdez la télécommande, prenez contact avec le service client de Vonroc.

- Passez d'abord l'interrupteur (5) sur l'appareil de chauffage sur la position (Marche) "ON".
- Appuyez sur le bouton (9) de la télécommande (8) pour allumer l'appareil de chauffage.
- Pour éteindre l'appareil de chauffage, appuyez une nouvelle fois sur le bouton (9) de la télécommande (8).

- Placez l'interrupteur (5) sur l'appareil de chauffage sur la position (Arrêt) "OFF" pour couper l'alimentation.

Remarque : Veillez à bien diriger la télécommande (8) vers le récepteur de la télécommande (10).

Tous les appareils de chauffage Vonroc et leurs télécommandes utilisent la même fréquence, il est donc possible de commander plusieurs appareils de chauffage avec une seule télécommande.

#### Régler le niveau de puissance (Fig. A, B)

L'appareil de chauffage propose deux niveaux de puissance :

- Niveau 1 - 1000W (puissance à 50%) 'L1' sur l'écran (10)
- Niveau 2 - 2000W (puissance à 100%) 'L2' sur l'écran (10)

Le niveau voulu peut être sélectionné à l'aide de la télécommande. Appuyez sur le bouton pour le niveau de chauffage (14) et utilisez ensuite le bouton Haut (12) pour augmenter le niveau et le bouton Bas (11) pour diminuer le niveau.

#### Utiliser la fonction Minuterie (Fig. A, B)

Le chauffage est équipé d'une fonction Minuterie qui permet de maintenir le chauffage allumé pendant une durée définie. La plage est comprise entre 0 et 24 heures et elle est affichée sur l'écran (10).

Si vous sélectionnez 3 heures sur la minuterie par exemple, le chauffage reste allumé pendant 3 heures avant de s'éteindre automatiquement.

Pour utiliser la minuterie, appuyez sur le bouton Niveau de chauffage (13) et réglez ensuite la minuterie à l'aide du bouton Haut (12) et du bouton Bas (11).

## 5. ENTRETIEN



*Veillez à ce que la machine ne soit pas branchée au réseau électrique si vous devez procéder à la maintenance du mécanisme.*



**ATTENTION :** *Risque de décharge électrique. Veillez à NE JAMAIS ouvrir l'appareil de chauffage ou tenter de le réparer vous-même.*

Nettoyez régulièrement le boîtier de la machine à l'aide d'un chiffon doux et de préférence après chaque utilisation. Assurez-vous que les fentes

d'aération restent exemptes de poussière et de saletés. Supprimez les taches tenaces à l'aide d'un chiffon doux légèrement humidifié avec une solution savonneuse. N'utilisez aucun solvant, essence, alcool, ammoniacque, etc. car ces produits chimiques peuvent endommager les composants synthétiques.

- N'utilisez PAS d'alcool, d'essence, de poudre abrasive, de produit de polissage ou de brosse dure pour nettoyer l'appareil de chauffage. Cela pourrait endommager et détériorer la surface de l'appareil de chauffage.
- Ne plongez pas l'appareil de chauffage dans l'eau
- Veillez à ce que l'appareil de chauffage soit parfaitement sec avant de l'utiliser.

#### ATTENTION:

- Veillez à toujours débrancher l'appareil de chauffage de l'alimentation électrique et à le laisser refroidir avant de le nettoyer.
- Si l'appareil de chauffage a accumulé de la poussière ou des saletés à l'intérieur et autour de l'élément chauffant, il doit être nettoyé par un prestataire de service qualifié. Ne faites pas fonctionner l'appareil de chauffage dans ces conditions.
- La seule maintenance que nécessite l'appareil de chauffage est le nettoyage de ses surfaces extérieures.
- Ne touchez pas l'élément chauffant à mains nues car cela pourrait affecter la durée de vie de la lampe. Si vous le touchez accidentellement, retirez les traces de doigts à l'aide d'un chiffon doux légèrement humidifié avec un spiritueux ou un alcool mentholé.
- Ne tentez pas de réparer ou de régler le fonctionnement électrique ou mécanique de cet appareil de chauffage.
- L'appareil de chauffage ne contient aucune pièce réparable par l'utilisateur. Si l'appareil subit un dommage ou une panne, il doit être retourné au fabricant ou à son prestataire de service.
- Les cordons d'alimentation endommagés doivent être remplacés par le fabricant ou l'un de ses prestataires de service ou par une personne de même qualification, afin d'éviter tout risque.

#### Rangement

Veillez à ranger l'appareil de chauffage dans un endroit, frais et sec lorsqu'il n'est pas utilisé, afin d'empêcher toute accumulation de poussière et de saletés. Utilisez le carton d'emballage pour le ranger.

#### Dépannage

Si l'appareil de chauffage ne fonctionne plus, contrôlez ce qui suit avant de faire appel à un service de réparation :

- Contrôlez que le cordon électrique est bien branché dans une prise de courant, si c'est le cas
- Contrôlez que l'électricité arrive bien au fusible principal
- Assurez-vous que les interrupteurs sont bien en position Marche, choisissez un niveau de réglage

#### ENVIRONNEMENT



*Les équipements électroniques ou électriques défectueux ou destinés à être mis au rebut doivent être déposés aux points de recyclage appropriés.*

#### Uniquement pour les pays de l'UE

Ne jetez pas les outils électriques avec les déchets domestiques. Selon la Directive européenne 2012/19/CE relative aux déchets d'équipements électriques et électroniques et sa mise en œuvre dans le droit national, les outils électriques hors d'usage doivent être collectés séparément et mis au rebut de manière écologique.

#### GARANTIE

Les produits VONROC sont développés aux plus hauts standards de qualité et ils sont garantis contre les défauts de pièces et de main d'oeuvre pendant la durée légale stipulée à partir de la date d'achat d'origine du produit. En cas d'une quelconque panne du produit pendant cette durée qui serait due à un défaut matériel et/ou de main d'oeuvre, contactez directement VONROC.



Les circonstances suivantes ne sont pas prises en charge par la garantie:

- Des réparations ou altérations ont été effectuées ou tentées sur la machine par un centre de réparation non agréé.
- L'usure normale.
- L'outil a été maltraité, mal utilisé ou mal entretenu.
- Des pièces détachées non d'origine ont été utilisées.

Ceci constitue l'unique garantie accordée par la société explicitement ou implicitement. Il n'existe aucune autre garantie, explicite ou implicite, qui peut s'étendre au delà du contenu ici présent, y compris les garanties marchandes ou d'adaptation à des fins particulières. En aucun cas VONROC ne sera tenu responsable de dommages accidentels ou consécutifs. Les solutions proposées par les revendeurs devront se limiter à la réparation ou le remplacement des éléments ou pièces non conformes.

**Le produit et le manuel d'utilisation sont sujets à modifications. Les spécifications peuvent changer sans préavis.**

## 1. INSTRUCCIONES DE SEGURIDAD

Lea las advertencias de seguridad, las advertencias de seguridad adicionales y las instrucciones adjuntas. De no respetarse las advertencias de seguridad y las instrucciones, podrían producirse descargas eléctricas, incendios y/o lesiones graves. Conserve las advertencias de seguridad y las instrucciones para su posterior consulta.

Los siguientes símbolos se utilizan en el manual de usuario o en el producto:



*Lee el manual del usuario.*



*Denota riesgo de lesiones corporales, muerte o daños al calefactor en caso de incumplimiento de las instrucciones del presente manual.*



*Riesgo de choque eléctrico.*



*Precaución: superficie caliente.*



*No cubra el dispositivo.*



*Símbolo de puesta a tierra. Este aparato está clasificado como clase de protección I y debe conectarse a una toma de corriente con toma de tierra.*



*El producto es conforme con las normas de seguridad vigentes en las Directivas Europeas.*

### GENERAL SAFETY WARNINGS

**ESTAS INSTRUCCIONES DEBEN LEERSE CUIDADOSAMENTE Y CONSERVARSE PARA SU FUTURA CONSULTA. El fabricante no se hace responsable de los daños causados por el incumplimiento de estas instrucciones.**

### INSTRUCCIONES DE SEGURIDAD IMPORTANTES

LEER CUIDADOSAMENTE - El calefactor de infrarrojos ha sido diseñado para un funcionamiento seguro. A pesar de ello, la instalación, el mantenimiento y el funcionamiento del calefactor pueden ser peligrosos. Si se respetan los siguientes procedimientos, se reduce el riesgo de incendio, descarga eléctrica y lesiones personales y se reduce al mínimo el tiempo de instalación. Guarde estas instrucciones para futuras consultas.

- Lea todas las instrucciones antes de usar el calefactor.
- Saque la unidad del embalaje y compruebe que esté en buenas condiciones antes de usarla.
- No deje que los niños jueguen con las partes del embalaje (como las bolsas de plástico).
- Compruebe el voltaje de la casa para asegurarse de que coincida con la especificación de funcionamiento del calefactor.
- Compruebe atentamente el cable de alimentación y el enchufe antes del uso, para asegurarse de que no estén dañados.
- Antes de desenchufar el cable de alimentación, apague la unidad y, cuando la encienda, asegúrese de tener las manos secas, para evitar una descarga eléctrica.
- Use el calefactor de terrazas solo al aire libre o en un espacio abierto amplio. Mantenga todos los objetos inflamables como lonas, sombrillas, ramas, muebles, cortinas, papel, etc., alejados del dispositivo (a por lo menos 1 metro, incluso si son objetos no estacionarios). Debe estar a por lo menos 1 metro de distancia de las paredes. La pantalla debe estar situada al menos a 180 cm del suelo. Si coloca el dispositivo debajo de un techo, debe haber un espacio de por lo menos 50 cm entre la parte superior del calefactor de terrazas y el techo (no inflamable). Con un techo inflamable (madera, plástico, lona, etc.) la distancia debe ser de por lo menos 1 metro. ¡Asegure siempre una buena ventilación!
- No coloque el dispositivo justo por encima o por debajo de un enchufe de pared (no muy cerca).
- El calefactor de terrazas ha sido concebido solo para uso doméstico. Por lo tanto, no debe usarse en obras de construcción, en invernaderos, graneros, establos, etc., aunque sean muy abiertos. Suelen tener demasiados materiales inflamables.
- No use este calefactor de terrazas como calefactor de saunas o como calefactor permanente de espacios o habitaciones.
- No use este calefactor de terrazas en casetas de perros ni en ningún otro lugar donde haya animales.
- No lo utilice cerca o en las inmediaciones de bañeras, piscinas o cualquier otro depósito de líquidos. A pesar de que el dispositivo es a prueba de salpicaduras, hay que tener cuidado con el agua. Asegúrese de que no se caiga en el agua y no lo exponga a chorros de agua potentes. No toque el dispositivo con las manos húmedas ni lo coloque en áreas inmediatamente próximas a baños, lavabos, piscinas u otro suministro de agua, ya que es peligroso.
- Para protegerse contra las descargas eléctricas, no sumerja el cable o el enchufe en agua ni en ningún otro líquido.
- No introduzca ni deje entrar objetos extraños en ninguna abertura de ventilación o de salida pues pueden ocasionarse descargas eléctricas, incendios o daños en el calefactor.
- Compruebe que haya suficiente luz. Los interruptores del dispositivo deben resultar bien visibles desde una distancia de 1 metro.
- Desenchufe siempre el calefactor cuando no lo use. Nunca deje el dispositivo sin supervisión cuando esté en uso, apáguelo y desenchúfelo. No use el dispositivo con un programador, temporizador o cualquier otro dispositivo que lo encienda automáticamente.
- No use el calefactor con un regulador de tensión externo, como un regulador de intensidad, un regulador de velocidad, etc. Esto produce un peligro eléctrico.
- Compruebe que el cable no cuelgue sobre aristas afiladas, no haga curvas pronunciadas y no toque superficies calientes. No enrolle el cable alrededor del dispositivo.
- No deje sobresalir el cable de la encimera, donde pueda ser tirado fácilmente por los niños.
- No ponga los dedos ni objetos extraños en la rejilla durante el funcionamiento.
- Nunca deje el aparato sin vigilancia cuando esté funcionando.
- Este calefactor no ha sido diseñado para ser utilizado en baños, lavanderías y lugares interiores similares. Nunca coloque el calefactor donde pueda caerse en una bañera u otro recipiente de agua.
- No asumiremos responsabilidad alguna por los daños causados por el incumplimiento de estas instrucciones o por cualquier otro uso o manejo indebido.
- Este aparato puede ser utilizado por niños a partir de 8 años y personas con capacidades físicas, sensoriales o mentales reducidas o con falta de experiencia y conocimiento si han recibido supervisión o instrucciones sobre el uso del aparato de forma segura y comprenden los peligros involucrados. Los niños no deben jugar con el aparato. Los niños no deben realizar la limpieza y el mantenimiento del usuario sin supervisión.

- Si por cualquier motivo el dispositivo se agrieta o se rompe o si nota alguna imperfección o anomalía en la carcasa de aluminio o en cualquier otra pieza, detenga inmediatamente el funcionamiento del dispositivo y saque el enchufe de la toma.
- Si el cable de alimentación se daña de cualquier modo, debe ser sustituido por el fabricante, sus centros de servicios u otras personas con cualificación similar, para evitar peligros.
- Para evitar el sobrecalentamiento de este aparato, mantenga las entradas y salidas de aire limpias y libres de cualquier elemento que pudiese causar una obstrucción. Compruebe periódicamente todas las entradas y salidas para asegurarse de que estén libres de toda acumulación de suciedad o polvo. **NO CUBRIR EL DISPOSITIVO.** La etiqueta de advertencia de no cubrir el dispositivo también debe colocarse en un lugar claramente visible después de la instalación. No debe colocarse en la parte posterior.
- Algunas piezas del calefactor pueden superar los 200 °C, por lo tanto, el contacto con el tubo calefactor, el reflector o las piezas metálicas cercanas al tubo calefactor puede causar **QUEMADURAS** graves. Para evitar quemaduras, no toque con la piel desnuda la superficie caliente.
- **NUNCA** coloque las manos debajo de los elementos calefactores. **SIEMPRE** deje que el elemento calefactor se enfríe durante por lo menos 10 minutos antes de tocar el tubo calefactor o las piezas próximas.
- No guarde ningún líquido o material inflamable, como pintura, gasolina, depósitos de gas, etc., cerca del dispositivo. No utilice el dispositivo en ambientes inflamables, como depósitos de combustible cercanos, tubos de gas o botes de aerosol. ¡Peligro de explosión e incendio!
- Este producto contiene materiales reciclables. No elimine este producto como residuo doméstico sin clasificar. Póngase en contacto con las autoridades locales para conocer el punto de recogida más cercano.

**Seguridad eléctrica**



*Compruebe siempre que la tensión del suministro eléctrico corresponda con la tensión de la placa de características.*

- No utilice la máquina si el cable o el enchufe eléctrico han sufrido daños.
- Utilice únicamente cables alargadores que

sean adecuados para la potencia nominal de la máquina con un grosor mínimo de 1,5 mm<sup>2</sup>. Si utiliza un cable alargador en rollo, desenrolle totalmente el cable.

**2. INFORMACION DE LA MAQUINA**

**Uso previsto**

Este producto está diseñado como un calentador de patio para ambientes domésticos. El calentador está diseñado para jardines privados u otras áreas al aire libre en el hogar. El calentador no se puede usar para calentar un espacio interior, como un calentador de espacio exterior no doméstico o para secar textiles u otros materiales. Este calentador no está equipado con un dispositivo para controlar la temperatura de la habitación, por lo que no lo use en espacios donde estén ocupados por personas que no pueden salir de la habitación por sí mismas, a menos que se proporcione una supervisión constante. El dispositivo debe utilizarse únicamente para el propósito prescrito. Cualquier otro uso se considera un caso de mal uso.

**ESPECIFICACIONES TECNICAS**

N.º de modelo	PH509AC
Tensión	220-240 V ~
Frecuencia	50-60 Hz
Potencia	2000 W
Ajuste de potencia	1: 1000 W 2: 2000 W
Tipo de elemento calefactor	Lámpara de fibra de carbono
Tiempo de calentamiento	3 segundos
Longitud de onda	3.0-1000 micrones
Eficiencia radiante	90 %
Distancia de calentamiento	2-3 m
Área de calentamiento	7-9 m <sup>2</sup>
Temperatura de color	1600 K
Protección contra sobrecalentamiento	Sí
Arranque electrónico suave	Sí
Clase de protección de entrada	IP44
Clase de protección	Clase I
Peso	2,36 kg

## DESCRIPCION

Los números del texto se refieren a los diagramas de las página 2.

1. Cadena para colgar
2. Cable de alimentación
3. Gancho para colgar
4. Mosquetón
5. Interruptor de encendido/apagado
6. Calefactor
7. Rejilla protectora
8. Mando a distancia
9. Interruptor de encendido/apagado del mando a distancia
10. Receptor para mando a distancia con pantalla
11. Botón bajar
12. Botón subir
13. Botón del temporizador
14. Botón de nivel de calor

## 3. MONTAJE



*Este calefactor debe ser instalado por una persona competente, es decir, un electricista cualificado.*



*Desconecte siempre el calefactor del suministro eléctrico y deje que se enfríe antes de la instalación.*

### Instalación del calefactor (Fig. A, C)



*Monte siempre el dispositivo con los accesorios suministrados.*

Antes de iniciar la instalación, tenga en cuenta lo siguiente:

- Coloque el dispositivo en un techo de superficie firme y nivelada; el calefactor debe instalarse en un soporte rígido y resistente (como vigas de madera, rieles de metal resistentes, etc.).
- El dispositivo debe ser colgado de modo que queden 50 cm libres entre el calefactor y el techo, la lona de la carpa, etc. También debe quedar por lo menos 1,80 m entre el suelo y la parte inferior del dispositivo. Consulte la Fig. C. El dispositivo nunca debe colgarse de un gancho en la pared pues puede quedar inclinado.
- El gancho utilizado para colgar el calefactor debe poder soportar un peso 3 o 4 veces mayor que su propio peso.
- Compruebe que los cables de alimentación

estén bien montados y que no entren en contacto con el reflector del calefactor o que no se arrastren por la zona calefaccionada.

- No coloque el calefactor sobre una superficie inflamable.
- Si el calefactor se va a usar en un lugar exterior, se recomienda una toma a prueba de intemperie.
- Antes de perforar compruebe que no haya cables o tubos de agua en el área donde vaya a instalar el calefactor.

Para instalar el calefactor, siga los pasos que se indican a continuación:

- El dispositivo se suministra con una cadena para colgar (1) y dos mosquetones (4). Coloque un mosquetón (4) en ambos extremos de la cadena (1).
- Monte un lado de la cadena en el gancho para colgar (3) usando el mosquetón (4), como se muestra en la Fig. A.
- Busque un punto de sujeción del que pueda colgar libremente el dispositivo, que sea lo suficientemente resistente para sostener el calefactor sin problemas. Fíjelo firmemente de modo tal que no se caiga, se resbale, se deslice o se mueva de ninguna forma.
- Una el otro mosquetón (4) de la cadena del calefactor con el gancho de techo provisto o el ojo de colgar del techo.
- Tenga en cuenta las distancias mínimas, como se muestra en la Fig. C.
- Enchufe el calefactor de terrazas en una toma de corriente con puesta a tierra. Compruebe de antemano si el voltaje nominal coincide con el del aparato.
- Compruebe que los mosquetones se cierren correctamente y que el dispositivo quede colgado inmóvil. ¡No debe deslizarse, caerse ni desplazarse de ningún otro modo! Utilice el calefactor solo cuando está en posición vertical.

### Montaje del mando a distancia (Fig. B)

- De vuelta el mando a distancia (8) y sáquele la tapa del alojamiento de las pilas.
- Coloque 2 pilas alcalinas AAA en el mando a distancia (8) de acuerdo con las instrucciones y la polaridad de las pilas.
- Cambie las pilas como se muestra arriba.

## 4. FUNCIONAMIENTO

### Encendido y apagado (Fig. A, B)

El calefactor puede encenderse y apagarse solo con el mando a distancia (8). Antes de usar el calefactor, hay que encenderlo antes con el interruptor de encendido (5). Sin el mando a distancia, no se puede utilizar el calefactor. Si no tiene el mando a distancia, contacte con el servicio de atención al cliente de Vonroc.

- Primero, ponga el interruptor (5) del calefactor en la posición de (encendido) 'ON'.
- Pulse el botón (9) del mando a distancia (8) para encender el calefactor.
- Para apagar el calefactor, vuelva a pulsar el botón (9) del mando a distancia (8).
- Pulse el interruptor (5) del calefactor hacia la posición de (apagado) 'OFF' para apagarlo.

Nota: Asegúrese de apuntar el mando a distancia (8) en dirección al receptor del mando a distancia (10). Todos los calefactores VONROC y sus mandos a distancia usan la misma frecuencia, por ello se pueden controlar varios calefactores con un solo mando a distancia.

### Ajuste del nivel de potencia (Fig. A, B)

La potencia del calefactor puede ajustarse en dos niveles:

- Nivel 1 - 1000 W (50 % de la potencia) 'L1' en la pantalla (10)
- Nivel 2 - 2000 W (100 % de la potencia) 'L2' en la pantalla (10)

El nivel deseado se puede seleccionar con el mando a distancia. Pulse el botón de nivel de calor (14) y, después, con el botón subir (12), aumente el nivel y, con el botón bajar (11) disminúyalo.

### Uso de la función temporizador (Fig. A, B)

El calefactor está equipado con una función de temporizador, que permite dejar encendido el calefactor durante un tiempo predeterminado. El rango seleccionable es de 0 a 24 horas y se muestra en la pantalla (10).

Por ejemplo, si se seleccionan 3 horas en el temporizador, el calefactor quedará encendido durante 3 horas y luego se apagará automáticamente.

Para usar el temporizador, pulse el botón de nivel de calor (13) y después ajuste el temporizador con los botones subir (12) y bajar (11).

## 5. MANTENIMIENTO



*Compruebe siempre que la máquina no esté conectada a la red eléctrica cuando realice alguna operación de mantenimiento del mecanismo.*



**PRECAUCIÓN:** *Riesgo de descarga eléctrica. NO abra ni intente reparar el calefactor usted mismo*

Limpie regularmente la carcasa del aparato con un paño suave, preferentemente después de cada uso. Compruebe que los orificios de ventilación estén libres de polvo y suciedad. Elimine la suciedad persistente utilizando un paño suave humedecido con agua y jabón. No use disolventes tales como gasolina, alcohol, amoníaco, etc. Tales productos químicos pueden dañar los componentes sintéticos.

- NO use alcohol, gasolina, polvos abrasivos, lustramuebles o cepillos ásperos para limpiar el calefactor. Ello puede dañar o deteriorar la superficie del calefactor.
- NO sumerja el calefactor en agua.
- Espere a que el calefactor se seque completamente antes de usarlo.

### ATENCIÓN:

- Desconecte siempre el calefactor del suministro eléctrico y deje que se enfríe antes de intentar limpiarlo.
- Si el calefactor ha acumulado polvo o suciedad en su interior o alrededor del elemento calefactor, debe ser limpiado por un agente de servicio cualificado. No utilice el calefactor en estas condiciones.
- El único mantenimiento necesario es la limpieza de las superficies externas del calefactor.
- No toque el elemento calefactor con los dedos desnudos, pues los residuos de su mano podrían afectar a la vida de la lámpara. Si la toca accidentalmente, quite las marcas de los dedos con un paño suave humedecido con alcohol o una bebida espirituosa mentolada.
- No intente reparar ni ajustar ninguna función eléctrica o mecánica de este calefactor.
- El calefactor no contiene piezas que puedan ser reparadas por el usuario. En caso de que el producto sufra daños o averías, debe ser enviado al fabricante o a su agente de servicio.

- Si el cable de alimentación se daña, debe ser sustituido por el fabricante, un agente de servicio u otra persona con una cualificación similar, para evitar peligros.

### Almacenamiento

Guarde el calefactor en un lugar fresco y seco cuando no lo utilice para evitar que se acumule el polvo y la suciedad. Utilice el cartón del embalaje para guardarlo.

### Solución de problemas

Si el calefactor no funciona, compruebe lo siguiente antes de solicitar la reparación o servicio:

- Compruebe si el cable de alimentación está enchufado en una toma de corriente, si no lo está, enchúfelo.
- Compruebe si el fusible principal tiene electricidad.
- Cerciórese de que los interruptores de alimentación estén encendidos. Si no lo están, elija un ajuste.

## MEDIOAMBIENTE



*Los aparatos eléctricos o electrónicos defectuosos y/o desechados deben recogerse en lugares de reciclado apropiado.*

### Solo para países de la Comunidad Europea

No elimine las herramientas eléctricas como residuos domésticos. De acuerdo con la Directiva europea 2012/19/CE sobre residuos de aparatos eléctricos y electrónicos, y su transposición a las legislaciones nacionales, las herramientas eléctricas que ya no se utilizan deben recogerse por separado y eliminarse en modo ecológico.

## CONDICIONES DE GARANTÍA

Los productos VONROC han sido desarrollados con los más altos estándares de calidad y VONROC garantiza que están exentos de defectos relacionados con los materiales y la fabricación durante el periodo legalmente estipulado, a contar desde la fecha de compra original. En caso de que el producto presente defectos relacionados con los materiales y/o la fabricación durante este periodo, póngase directamente en contacto VONROC.

La presente garantía se excluye en los siguientes

casos:

- Si centros de servicios no autorizados han realizado o han intentado realizar reparaciones y/o alteraciones a la máquina.
- Si se ha producido un desgaste normal.
- Si la herramienta ha sido mal tratada o usada en modo impropio, o se ha realizado incorrectamente su mantenimiento.
- Si se han utilizado piezas de repuesto no originales.

La presente constituye la única garantía implícita y explícita que ofrece la compañía. No existen otras garantías explícitas o implícitas que excedan las citadas aquí, incluidas las garantías implícitas de comerciabilidad e idoneidad para una finalidad en especial. VONROC no será considerada responsable en ningún caso por daños incidentales o consecuentes. Los recursos a disposición de los distribuidores se limitan a la reparación o a la sustitución de las unidades o piezas no conformes.

**El producto y el manual de usuario están sujetos a variaciones. Las especificaciones pueden variarse sin previo aviso.**

## 1. ISTRUZIONI DI SICUREZZA

Leggere accuratamente gli avvisi di sicurezza, gli avvisi di sicurezza aggiuntivi e le istruzioni. La mancata osservanza degli avvisi di sicurezza e delle istruzioni potrebbe causare scosse elettriche, incendio e/o gravi lesioni. Mantenere gli avvisi di sicurezza e le istruzioni a portata di mano per future consultazioni.

I seguenti simboli sono utilizzati nel presente manuale utente o sul prodotto:



*Leggere il manuale per l'utente.*



*Indica il rischio di lesioni personali, perdita della vita o danni all'elettrodomestico in caso di mancata osservanza delle istruzioni contenute nel presente manuale.*



*Rischio di scosse elettriche.*



*Precaución: superficie caliente.*



*Non coprire il dispositivo.*



*Simbolo di messa a terra. Questo apparecchio è classificato come classe di protezione I e deve essere collegato a una presa di rete con messa a terra.*



*Il prodotto è conforme agli standard pertinenti in materia di sicurezza previsti dalla legislazione Europea.*

### REGOLE GENERALI DI SICUREZZA

**QUESTE ISTRUZIONI DEVONO ESSERE LETTE ATTENTAMENTE E CONSERVATE PER CONSULTAZIONI FUTURE, il produttore non può essere ritenuto responsabile per eventuali danni causati dalla mancata osservanza delle presenti istruzioni.**

### ISTRUZIONI DI SICUREZZA IMPORTANTI

LEGGERE ATTENTAMENTE - Il riscaldatore a infrarossi è progettato per un funzionamento sicuro. Tuttavia, l'installazione, la manutenzione e il funzionamento del radiatore possono risultare pericolosi. L'osservanza delle seguenti procedure ridurrà il rischio di incendi, scosse elettriche, lesioni alle persone e ridurrà al minimo il tempo di installazione. Conservare le presenti istruzioni per uso futuro.

- Leggere tutte le istruzioni prima di utilizzare questo radiatore.
- Rimuovere l'unità dalla confezione e verificare che sia in buone condizioni prima dell'uso.
- Non lasciare che i bambini giochino con parti dell'imballaggio (come i sacchetti di plastica).
- Controllare la tensione domestica per assicurarsi che corrisponda alle specifiche nominali del radiatore.
- Controllare attentamente il cavo di alimentazione e la spina prima dell'uso, per assicurarsi che non siano danneggiati.
- Prima di scollegare il cavo di alimentazione, assicurarsi di spegnere l'alimentazione, quando si alimenta l'unità, assicurarsi di avere le mani asciutte per evitare scosse elettriche.
- Utilizzare il radiatore per terrazze esclusivamente all'aperto o in un ampio spazio aperto. Tenere tutti gli oggetti infiammabili come teloni, ombrelloni, rami, mobili, tende, carta ecc. a distanza da dispositivo (almeno 1 metro anche se si tratta di oggetti non fissi!). La distanza dalle pareti deve essere pari ad almeno 1 metro. La testa deve essere posizionata ad almeno 180 cm dal suolo. Se si posiziona il dispositivo sotto un tetto, deve esserci uno spazio di almeno 50 cm tra la calotta del radiatore per terrazze e il soffitto (non infiammabile). Con un tetto infiammabile (legno, plastica, telone ecc.), questa distanza deve essere di almeno 1 metro. Assicurare sempre una buona ventilazione!
- Non posizionare il dispositivo appena sopra o sotto una presa a muro (non nelle immediate vicinanze).
- Il radiatore per terrazze è destinato esclusivamente all'uso domestico. Pertanto, non è consigliabile utilizzarlo nei cantieri, nelle serre, nei fienili o nelle bancarelle ecc., anche se si tratta per lo più di spazi aperti. Solitamente sono presenti troppi materiali infiammabili in quei luoghi.
- Non utilizzare questo radiatore per terrazze per riscaldare saune o come riscaldamento permanente per spazi o ambienti chiusi.
- Non utilizzare questo radiatore per terrazze in un canile o in qualsiasi altro luogo in cui siano presenti animali.
- Non utilizzare vicino o nelle immediate vicinanze di una vasca da bagno o una piscina o qualsiasi fonte di liquidi. Nonostante il dispositivo sia a prova di schizzi, è necessario fare attenzione con l'acqua. Assicurarsi che non possa cadere in

- acqua e non esporlo a potenti getti d'acqua. Non toccarlo con le mani bagnate e non posizionare il dispositivo nell'area immediatamente attigua a una vasca da bagno, un bagno, una piscina o altra fonte d'acqua, poiché potrebbe risultare pericoloso.
- Per proteggersi dalle scosse elettriche, non immergere il cavo o la spina in acqua o in qualsiasi altro liquido.
  - Non inserire né consentire l'ingresso di oggetti estranei nelle aperture di ventilazione o di scarico, poiché ciò potrebbe causare scosse elettriche, incendi o danni al radiatore.
  - Assicurarsi che vi sia una quantità sufficiente di luce. Gli interruttori sul dispositivo devono essere adeguatamente visibili da una distanza di 1 metro.
  - Scollegare sempre il radiatore quando non è in uso. Non lasciare mai il dispositivo incustodito quando è in uso; ricordarsi di spegnerlo e scollegarlo. Non utilizzare il dispositivo con un programmatore, un timer o qualsiasi altro dispositivo che accenda automaticamente il dispositivo.
  - Non utilizzare il radiatore con un regolatore di tensione esterno come un commutatore, regolatore di velocità, ecc. Così facendo potrebbe insorgere un rischio elettrico.
  - Assicurarsi che il cavo non penda su bordi (affilati), non formi curve sporgenti e non tocchi superfici calde. Non avvolgere il cavo attorno al dispositivo.
  - Non lasciare che il cavo sporga dal piano di lavoro dove può essere facilmente tirato dai bambini.
  - Non inserire le dita od oggetti estranei nella griglia durante il funzionamento.
  - Non lasciare l'apparecchio incustodito quando è in uso.
  - Questo radiatore non è destinato per l'uso in bagno, lavanderia e luoghi interni simili, non posizionare mai il radiatore dove potrebbe cadere in una vasca da bagno o in un altro contenitore d'acqua.
  - Non può essere accettata alcuna responsabilità per eventuali danni causati dal mancato rispetto delle presenti istruzioni o da qualsiasi altro uso improprio o manomissione.
  - Questo apparecchio può essere utilizzato da bambini di età pari o superiore a 8 anni e da persone con ridotte capacità fisiche, sensoriali o mentali o con mancanza di esperienza e conoscenza se sono stati supervisionati o istruiti sull'uso dell'apparecchio in modo sicuro e comprendono i pericoli coinvolti. I bambini non devono giocare con l'apparecchio. La pulizia e la manutenzione dell'utente non devono essere eseguite da bambini senza supervisione.
  - Se, per qualsiasi motivo, il dispositivo produce crepe o rotture, o se si riscontrano imperfezioni o interruzioni al corpo in alluminio o a qualsiasi altra parte, interrompere immediatamente il funzionamento del dispositivo e staccare la spina dalla presa.
  - Se il cavo di alimentazione è danneggiato in qualsiasi modo, deve essere sostituito dal costruttore, da un suo rappresentante addetto all'assistenza o da altre persone con qualifica simile al fine di evitare rischi per la sicurezza.
  - Per evitare il surriscaldamento di questo apparecchio, mantenere gli ingressi e le uscite dell'aria puliti e liberi da qualsiasi cosa che possa causarne il blocco. Controllare tutti gli ingressi e le uscite di tanto in tanto per assicurarsi che siano liberi da accumuli di polvere o sporcizia. NON COPRIRLI. L'etichetta di avvertenza di non coprire il dispositivo deve essere posta in un luogo ben visibile anche dopo l'installazione: non deve quindi trovarsi sul retro.
  - Alcune parti del radiatore potrebbero superare i 200°C, il contatto con il tubo di riscaldamento, il riflettore o le parti metalliche vicino al tubo di riscaldamento può causare USTIONI gravi. Per evitare ustioni, non lasciare che la pelle nuda entri a contatto con la superficie incandescente.
  - Non mettere MAI le mani sotto gli elementi riscaldanti. Lasciare SEMPRE raffreddare l'elemento riscaldante per almeno 10 minuti prima di toccare il tubo di riscaldamento o le parti adiacenti.
  - Non conservare liquidi o materiali combustibili come vernice, benzina, serbatoi di gas ecc. nelle immediate vicinanze del dispositivo. Non utilizzare il dispositivo in ambienti infiammabili, come nei pressi di serbatoi di gas combustibili, tubi del gas o bombolette spray. Pericolo di esplosione e di incendio!
  - Questo prodotto contiene materiali riciclabili. Non smaltire questo prodotto tra i rifiuti comunitari indifferenziati. Si prega di contattare le autorità locali per il punto di raccolta più vicino.



**Sicurezza elettrica**



*Controllare sempre che la tensione di alimentazione corrisponda alla tensione indicata sulla targhetta delle caratteristiche.*

- Non utilizzare l'elettrodomestico quando il cavo o la spina di alimentazione sono danneggiati.
- Utilizzare esclusivamente cavi di prolunga idonei per la potenza nominale dell'elettrodomestico, con conduttori di sezione minima di 1,5 mm<sup>2</sup>. Quando si utilizza un cavo di prolunga con avvolgicavo, svolgere sempre completamente il cavo.

**2. INFORMAZIONI RELATIVE ALL'ELETTRODOMESTICO**

**Destinazione d'uso**

Questo prodotto è concepito come stufa da esterno per ambienti domestici. Il riscaldatore è destinato a giardini privati o altre aree esterne della casa. Il riscaldatore non può essere utilizzato per riscaldare uno spazio interno, per essere utilizzato come riscaldatore per ambienti esterni non domestico o per asciugare tessuti o altri materiali. Questa stufa non è dotata di un dispositivo per controllare la temperatura ambiente, quindi non usare questa stufa in spazi quando sono occupati da persone che non sono in grado di lasciare la stanza da sole, a meno che non sia fornita una supervisione costante. Il dispositivo deve essere utilizzato solo per lo scopo prescritto. Qualsiasi altro utilizzo è considerato un caso di uso improprio.

**DATI TECNICI**

<b>No. modello</b>	<b>PH509AC</b>
Tensione	220-240 V ~
Frequenza	50-60 Hz
Potenza	2000 W
Impostazioni di potenza	1: 1000 W 2: 2000 W
Tipo di elemento riscaldante	Lampada in fibra di carbonio
Tempo di riscaldamento	3 secondi
Lunghezza d'onda	3.0-1000 micron
Efficienza radiante	90%
Distanza di riscaldamento	2-3m
Area di riscaldamento	7-9m <sup>2</sup>

Temperatura di colore	1600 K
Protezione dal surriscaldamento	Sì
Soft start elettronico	Sì
Classe di protezione dagli ingressi	IP44
Classe di protezione	Classe I
Peso	2,36 kg

**DESCRIZIONE**

I numeri che compaiono nel testo si riferiscono agli schemi riportati alle pagine 2.

1. Catena di sospensione
2. Cavo di alimentazione
3. Gancio di sospensione
4. Gancio a carabina
5. Interruttore di accensione/spengimento
6. Radiatore
7. Griglia protettiva
8. Telecomando
9. Tasto di accensione/spengimento del telecomando
10. Ricevitore per telecomando con display
11. Tasto giù
12. Tasto su
13. Tasto Timer
14. Tasto Livello di calore

**3. MONTAGGIO**



*Questo radiatore deve essere installato da una persona competente, ad es. un elettricista qualificato.*



*Scollegare sempre il radiatore dalla rete elettrica e lasciarlo raffreddare prima dell'installazione.*

**Installazione del radiatore (Fig. A, C)**



*Montare sempre il dispositivo con gli accessori in dotazione.*

Prima di iniziare l'installazione, tenere presente quanto segue:

- Posizionare il dispositivo su una superficie del soffitto stabile e uniforme; l'installazione del radiatore deve avvenire su un supporto rigido e resistente (come travi di legno robuste o guide metalliche, ecc.).

- Il dispositivo deve essere appeso in modo che vi siano 50 cm di spazio libero tra il radiatore e qualsiasi soffitto, tenda, telo, ecc. Deve inoltre esserci almeno 1,80 m tra il pavimento e la parte inferiore del dispositivo. Fare riferimento alla to Fig. C. Il dispositivo non può mai essere appeso a un gancio nel muro poiché potrebbe essere appeso di traverso!
- Il Gancio utilizzato per appendere il radiatore deve essere in grado di sostenere un peso 3 o 4 volte quello del radiatore stesso.
- Assicurarsi che i cavi di alimentazione siano ben montati e che non vengano a contatto con il riflettore del radiatore o che non finiscano nella zona riscaldata.
- Non installare il radiatore su una superficie infiammabile.
- Se il radiatore deve essere utilizzato all'esterno, si consiglia vivamente l'uso di una presa resistente agli agenti atmosferici.
- Prima di forare, assicurarsi che non ci siano cavi o tubi dell'acqua nella zona in cui deve essere installato il radiatore.

Per installare il radiatore, seguire questi passaggi:

- Il dispositivo viene fornito con una catena di sospensione (1) e due ganci a carabina (4). Inserire un gancio a carabina (4) su entrambe le estremità della catena (1).
- Montare un lato della catena sul gancio di sospensione (3) utilizzando il gancio a carabina (4), come mostrato in fig. A.
- Fornire un punto di attacco dal quale il dispositivo possa pendere liberamente e che sia abbastanza robusto da sostenere il radiatore senza problemi. Fissarlo saldamente in modo che non possa cadere, scivolare, scorrere o spostarsi in altro modo.
- Fissare il gancio a carabina inutilizzato (4) sulla catena del radiatore al gancio da soffitto in dotazione o all'occhiello di sospensione dal soffitto.
- Tenere in considerazione le distanze minime come mostrato in figura C.
- Collegare il radiatore per patio a una presa di corrente con messa a terra. Verificare in anticipo se la tensione nominale corrisponde a quella del dispositivo.
- Verificare che i moschettoni si chiudano correttamente e che il dispositivo rimanga bloccato. Non deve essere in grado di scivolare, cadere,

scorrere o simili! Mettere in funzione il radiatore soltanto quando è in posizione verticale.

#### Assemblaggio del telecomando (Fig. B)

- Capovolgere il telecomando (8) sul retro e rimuovere il coperchio della batteria.
- Inserire 2 batterie di tipo AAA/alcaline nel telecomando (8) rispettando le istruzioni e la polarità delle batterie.
- Sostituire le batterie come illustrato sopra.

## 4. FUNZIONAMENTO

### Accensione e spegnimento (Fig. A, B)

Il radiatore può essere acceso e spento solo con il telecomando (8). Prima dell'uso, è necessario prima accendere l'interruttore di alimentazione (5). Non è possibile utilizzare il radiatore senza un telecomando. Se non si ha in possesso il telecomando, contattare il servizio clienti Vonroc.

- Per prima cosa, ruotare l'interruttore (5) sul radiatore in posizione "ON".
- Premere il pulsante (9) sul telecomando (8) per accendere il radiatore.
- Per spegnere il radiatore, premere nuovamente il pulsante (9) sul telecomando (8).
- Premere l'interruttore (5) sul radiatore in posizione 'OFF' per spegnere.

Nota: Assicurarsi di puntare il telecomando (8) in direzione del ricevitore del telecomando (10). Tutti i radiatori VONROC e i relativi telecomandi utilizzano la stessa frequenza, pertanto è possibile controllare più radiatori con un solo telecomando.

### Regolazione del livello di potenza (Fig. A, B)

La potenza del radiatore può essere regolata su due livelli:

- Livello 1: 1000 W (50% di potenza) - "L1" sul display (10)
- Livello 2: 2000 W (100% di potenza) - "L2" sul display (10)

È possibile selezionare il livello di calore desiderato con il telecomando. Premere il tasto Livello di calore (14) quindi usare il tasto su (12) per aumentare il livello e il tasto giù (11) per ridurlo.

**Uso della funzione timer (Fig. A, B)**

Il riscaldatore è dotato della funzione Timer, che consente di mantenerlo acceso per un periodo di tempo selezionato. L'intervallo selezionabile è compreso tra 0 e 24 ore e viene visualizzato sul display (10).

Per esempio, selezionando 3 ore sul timer, il riscaldatore rimane acceso per 3 ore, dopodiché si spegne automaticamente.

Per usare il timer, premere il tasto Livello di calore (13), quindi impostare il timer con il tasto su (12) e giù (11).

**5. MANUTENZIONE**

*Assicurarsi sempre che la macchina non sia collegata alla rete elettrica quando si esegue una qualsiasi manutenzione del meccanismo.*



**ATTENZIONE:** *Rischio di scossa elettrica. NON aprire né tentare di riparare da soli il radiatore.*

Pulire regolarmente il corpo dell'elettrodomestico con un panno morbido, preferibilmente dopo ogni uso. Assicurarsi che le prese d'aria siano libere da polvere e sporczia. Rimuovere lo sporco particolarmente ostinato con un panno morbido inumidito con acqua e sapone. Non utilizzare solventi come benzina, alcol, ammoniaca, ecc. Le sostanze chimiche di questo tipo danneggiano i componenti sintetici.

- NON usare alcol, benzina, polveri abrasive, lucido per mobili o spazzole ruvide per pulire il radiatore. Ciò potrebbe causare danni o deterioramento alla superficie del radiatore.
- NON immergere il radiatore nell'acqua
- Attendere che il radiatore sia completamente asciutto prima dell'uso.

**ATTENZIONE:**

- Scollegare sempre il radiatore dalla rete elettrica e lasciarlo raffreddare prima di tentare di pulirlo.
- Se il radiatore ha accumulato polvere o sporczia all'interno dell'unità o attorno all'elemento riscaldante, far pulire l'unità da un tecnico dell'assistenza qualificato. Non utilizzare il radiatore in questa condizione.
- L'unica manutenzione richiesta è la pulizia delle superfici esterne del radiatore.

- Non toccare l'elemento riscaldante a mani nude, poiché eventuali residui presenti sulla mano potrebbero compromettere la durata della lampada. Se viene toccato accidentalmente, rimuovere le impronte con un panno morbido inumidito con alcol mentolato.
- Non tentare di effettuare la riparazione o regolazione delle funzioni elettriche o meccaniche di questo radiatore.
- Il radiatore non contiene parti riparabili dall'utente. Se il prodotto subisce danni o guasti, deve essere restituito al produttore o al suo rappresentante addetto all'assistenza.
- I cavi di alimentazione danneggiati devono essere sostituiti dal costruttore, da un suo rappresentante addetto all'assistenza o da altre persone con qualifica simile al fine di evitare rischi per la sicurezza.

**Stoccaggio**

Conservare il radiatore in un luogo fresco e asciutto quando non viene utilizzato per evitare l'accumulo di polvere e sporco. Utilizzare il cartone di imballaggio per lo stoccaggio.

**Risoluzione dei problemi**

In caso di mancato funzionamento del radiatore, controllare quanto segue prima di richiedere la riparazione o l'assistenza:

- Controllare che il cavo di alimentazione sia collegato a una presa elettrica, altrimenti collegarlo
- Controllare che l'elettricità del fusibile principale funzioni
- Assicurarsi che gli interruttori di alimentazione siano accesi. In caso contrario, scegliere un'impostazione

**AMBIENTE**

*Le apparecchiature elettriche o elettroniche difettose e/o scartate devono essere raccolte presso gli opportuni siti di riciclaggio.*

**Solo per i Paesi CE**

Non smaltire gli elettrodomestici insieme ai rifiuti domestici. Secondo la Direttiva europea 2012/19/EC sui rifiuti delle apparecchiature elettriche ed elettroniche e relativa implementazione nelle normative locali, gli elettrodomestici ormai inutilizzabili devono essere raccolti separatamente e smaltiti in modo ecologico.

## DEFINIZIONI DELLA GARANZIA

I prodotti VONROC sono sviluppati secondo i più elevati standard di qualità e viene garantita l'assenza di difetti nei materiali e nella manodopera per il periodo contrattuale a partire dalla data di acquisto originale. Qualora il prodotto dovesse subire un guasto qualsiasi durante questo periodo a causa di difetti nei materiali e/o nella manodopera, si prega di contattare direttamente il VONROC.

Le seguenti circostanze sono escluse da questa garanzia:

- Riparazioni e/o modifiche alla macchina sono state eseguite o tentate da centri di assistenza non autorizzati.
- Normale usura.
- L'utensile è stato abusato, utilizzato o manutenu- to in modo improprio.
- Sono state utilizzate parti di ricambio non originali

Ciò costituisce l'unica garanzia espressa o implicita fornita dall'azienda. Non esistono altre garanzie espresse o implicite che si estendono oltre il presente documento, ivi comprese le garanzie implicite di commerciabilità e idoneità per uno scopo particolare. In nessun caso VONROC sarà responsabile di eventuali danni incidentali o consequenziali. I rimedi dei rivenditori saranno limitati alla riparazione o sostituzione di unità o parti non conformi.

**Il prodotto e il manuale per l'utente sono soggetti a modifiche. I dati tecnici possono essere modificati senza ulteriore notifica.**

## 1. SÄKERHETSFÖRESKRIFTER

Läs de medföljande säkerhetsvarningarna, de tillkommande säkerhetsvarningarna och anvisningarna. Om inte säkerhetsvarningarna och anvisningarna följs kan detta orsaka elstöt, brand och/eller allvarliga kroppsskador. Behåll säkerhetsvarningarna och anvisningarna för framtida bruk.

Följande symboler används i bruksanvisningen eller på produkten:



Läs igenom bruksanvisningen.



Anger risk för personskada, dödsfall eller skada på verktyget om anvisningarna i denna handbok inte följs.



Risk för elstöt.



Varning het yta!



Täck inte över enheten.



Jordningssymbol. Denna apparat är klassad som skyddsklass I och måste anslutas till ett jordat eluttag.



Produkten uppfyller gällande säkerhetsnormer i EU-direktiven.

**ALLMÄNNA SÄKERHETSFRSKRIFTER  
DESSA INSTRUKTIONER BÖR LÄSAS NOGA OCH  
BEVARAS FÖR FRAMTIDA REFERENS, Tillverkaren  
kan inte hållas ansvarig för skador orsakade av att  
dessa instruktioner inte följts.**

### VIKTIGA SÄKERHETSANVISNINGAR

LÄS NOGA - den infraröda värmaren är konstruerad för säker drift. Ändå kan installation, underhåll och drift av värmaren vara farlig. Att följa följande procedurer minskar risken för brand, elstöt, personskada och håller installationstiden till ett minimum. Spara dessa instruktioner för framtida behov.

- Läs alla instruktioner innan du använder värmaren.
- Ta ut enheten ur förpackningen och kontrollera att den är i gott skick innan du använder den.
- Låt inte barn leka med delar av förpackningen (t.ex. plastpåsar).

- Kontrollera nätspänningen för att säkerställa att den överensstämmer med värmaren.
- Kontrollera nätsladden och kontakten noggrant innan du använder dem för att se till att de inte skadas.
- Innan du drar ur nätsladden, se till att stänga av strömmen. Se till att händerna är torra för att förhindra elektrisk stöt.
- Använd endast terrassvärmaren utomhus eller i ett stort öppet utrymme. Förvara alla brandfarliga föremål som presenningar, parasoller, grenar, möbler, gardiner, papper etc. ur vägen för enheten (minst 1 meter även om de är om de inte är stationära föremål!). Avståndet till väggar måste vara minst 1 meter. Huvudet måste vara placerat minst 180 cm över marken. Om du placerar enheten under ett tak måste det finnas ett utrymme på minst 50 cm mellan locket på terrassvärmaren och det (icke brännbara) taket. Med ett brandfarligt tak (trä, plast, presenning etc.) måste detta avstånd vara minst 1 meter. Tills se alltid till god ventilation!
- Placera inte enheten precis ovanför eller under ett vägguttag (inte i omedelbar närhet).
- Terrassvärmaren är endast avsedd för användning i hemmet. Du bör därför inte använda den på byggarbetsplatser, i växthus, ladugårdar eller spiltor, även om de till stor del är öppna. Det finns vanligtvis för mycket brandfarligt material där.
- Använd inte denna terrassvärmare som bastuuppvärmning eller som permanent värmeelement.
- Använd inte denna terrassvärmare i en kennel eller någon annan plats där djur finns.
- Använd inte i närheten av ett badkar, en pool eller någon vätskekälla. Trots att enheten är stänksäker måste du vara försiktig med vatten. Se till att den inte kan falla i vattnet och utsätt den inte för kraftiga vattenstrålar. Rör inte vid den med våta händer och placera inte enheten i området omedelbart runt ett badkar, tvättrum, pool eller annan vattenförsörjning, eftersom det är farligt.
- För att skydda mot elektriska stötar får du inte sänka ner sladden eller plugga in den i vatten eller någon annan vätska.
- Sätt inte in eller låt främmande föremål tränga in i ventilation eller avgasöppningar, eftersom det kan orsaka elektrisk stöt, brand eller skada på värmaren.
- Se till att det finns tillräckligt med ljus. Strömbrytarna på enheten måste vara ordentligt synliga från en meters avstånd.
- Koppla alltid bort värmaren när den inte används. Lämna aldrig enheten utan tillsyn när den används, utan stäng av den och dra ur kontakten. Använd inte enheten med en programmeringsanordning, timer eller någon annan enhet som slår på enheten automatiskt.
- Använd inte värmaren med en extern spänningsregulator som dimmer, hastighetsregulator etc. Detta medför en elektrisk risk.
- Se till att sladden inte hänger över (vassa) kanter, inte böjs kraftigt, inte vidrör heta ytor. Vira inte sladden runt enheten.
- Låt inte sladden hänga över bänkskivan där den lätt kan dras i av barn.
- Lägg inte fingrar eller främmande föremål i värmeelementet medan den är i drift.
- Lämna aldrig apparaten utan uppsikt när den används.
- Denna värmare är inte avsedd för användning i badrum, tvättstugor och liknande platser inomhus, placera aldrig värmaren där den kan hamna i ett badkar eller någon annan vattenbehållare.
- Inget ansvar kan godtas för skador orsakade av bristande efterlevnad av dessa instruktioner eller annan felaktig användning eller felaktig hantering.
- Denna apparat kan användas av barn från 8 år och uppåt och personer med nedsatt fysisk, sensorisk eller mental förmåga eller bristande erfarenhet och kunskap om de har fått tillsyn eller instruktioner om hur apparaten ska användas på ett säkert sätt och förstår farorna. Inblandade. Barn får inte leka med apparaten. Rengöring och underhåll av användare får inte utföras av barn utan tillsyn.
- Om enheten av någon anledning orsakar sprickor eller brott, eller om du upptäcker brister eller brott i aluminiumhöljet eller någon annan del, ska du omedelbart stoppa enheten och ta ut kontakten ur uttaget.
- Om en strömsladd är skadad på något sätt måste den bytas av tillverkaren, tillverkarens serviceombud eller liknande kvalificerad personal för att undvika fara.
- För att förhindra överhettning av denna apparat, håll luftinlopp och utlopp rena och fria från allt som kan orsaka blockering. Kontrollera alla inlopp och utlopp då och då för att säkerställa

att de är fria från smuts eller damm. TÄCK INTE. Varningsetiketten måste också placeras på ett tydligt synligt ställe efter installationen och får inte täcka enheten: den ska därför inte vara på baksidan.

- Delar av värmaren kan överstiga 200°C, kontakt med värmeröret, reflektorn eller metalldelar nära värmeröret kan orsaka allvarliga brännskador. Låt inte bar hud komma i kontakt med den heta ytan för att undvika brännskador.
- Placera ALDRIG händerna under värmeelementen. Låt ALLTID värmeelementet svalna minst 10 minuter innan du rör vid värmeröret eller intelligande delar.
- Förvara inga brännbara vätskor eller material som färg, bensin, bensintankar etc. i enhetens omedelbara närhet. Använd inte enheten i lättantändlig miljö, såsom närliggande brännbara gastankar, gasrör eller sprayburkar. Risk för explosion och brand!
- Denna produkt innehåller återvinningsbara material. Kasta inte denna produkt som osorterat hushållsavfall. Kontakta din lokala myndighet för närmaste återvinningsställe.

#### Elsäkerhet



*Kontrollera alltid att strömförsörjningens spänning motsvarar spänningen på typskylten.*

- Om elverkygets nätkabel är skadad måste den bytas ut mot en speciellt förberedd nätsladd som finns tillgänglig via serviceorganisationen.
- Använd endast förlängningskablar som är lämpliga för maskinens effektvärde med ett minimum tjocklek 1,5 mm<sup>2</sup>. Om du använder en förlängningskabelrulle ska du alltid rulla ur kabeln helt.

## 2. MASKININFORMATION

#### Avsedd användning

Denna produkt är utformad som en uteplatsvärmare för hemmamiljöer. Värmaren är avsedd för privata trädgårdar eller andra utomhusområden hemma. Värmaren får inte användas för att värma ett inomhusutrymme, användning som en utomhusvärmare eller för torkning av textilier eller andra material. Denna värmare är inte utrustad med en anordning för att reglera rumstemperaturen, så använd inte denna värmare i utrymmen när de är upptagna

av personer som inte kan lämna rummet på egen hand, såvida inte konstant tillsyn ges. Enheten ska endast användas för det föreskrivna syftet. All annan användning anses vara ett fall av missbruk.

#### TEKNISKA SPECIFIKATIONER

Modellnr	PH509AC
Spänning	220-240 V ~
Frekvens	50-60 Hz
Effekt	2000 W
Effektinställningar	1: 1000 W 2: 2000 W
Värmeelement typ	kolfiberlampa
Uppvärmningstid	3 sekunder
Våglängd	3,0-1000 mikron
Strålningseffektivitet	90 %
Uppvärmningsavstånd	2-3 m
Värmeområde	7-9 m <sup>2</sup>
Färgtemperatur	1600 K
Överhettningsskydd	Ja
Elektronisk mjukstart	Ja
Kapslingsklass	IP44
Skyddsklass	Klass I
Vikt	2,36 kg

#### BESKRIVNING

Siffrorna i texten nedan hänvisar till bilderna på sidorna 2.

1. Upphängningskedja
2. Strömkabel
3. Upphängningskrok
4. Karbinhake
5. Strömbytare
6. Värmare
7. Skyddsgaller
8. Fjärrkontroll
9. Fjärrkontroll på/av
10. Mottagare för fjärrkontroll med display
11. Ned-knapp
12. Upp-knapp
13. Timerknapp
14. Knapp för värmenivå

### 3. MONTERING



Värmaren ska installeras av en behörig person, dvs. en kvalificerad elektriker.



Koppla alltid bort värmaren från eluttaget och låt den svalna före installationen.

#### Installera värmaren (fig. A, C)



Montera alltid enheten med de medföljande tillbehören.

Innan du påbörjar installationen bör du ta hänsyn till följande:

- Placera enheten på en fast, jämn takyta. Installationen av värmaren ska ske på ett starkt styvt stöd (t.ex. starka träbjälkar eller metallskenor etc.).
- Apparaten måste hängas så att det finns 50 cm ledigt utrymme mellan värmaren och eventuellt tak, tältduk etc. Det måste också finnas minst 1,80 m mellan marken och enhetens undersida. Se fig. C. Enheten ska aldrig hängas på en krok i väggen eftersom den kan hänga snett!
- Kroken som används för att hänga upp värmaren måste kunna ta en vikt 3 eller 4 gånger så mycket som värmaren.
- Se till att försörjningskablarna är välmonterade och att de inte kommer i kontakt med värmarens reflektor eller att de inte går in i uppvärmt område.
- Installera inte värmaren på en lättantändlig yta.
- Om värmaren ska användas utomhus rekommenderas ett väderbeständigt uttag.
- Innan du borrar, se till att det inte finns några ledningar eller vattenledningar i det område där värmaren ska installeras.

För att installera värmaren, följ dessa steg:

- Enheten levereras med en upphängningskedja (1) och två karbinhakar (4). Sätt en karbinhake (4) i kedjans båda ändar (1).
- Montera ena sidan av kedjan på upphängningskroken (3) med hjälp av karbinhaken (4), som visas i fig. A.
- Ge en anslutningspunkt från vilken enheten kan hänga fritt och som är tillräckligt robust för att hålla i värmaren utan problem. Fixera den ordentligt på ett sådant sätt att den inte kan tappas, skjutas iväg, glida eller på annat sätt röra sig.

- Fäst den oanvända karbinhaken (4) på värmarens kedja på den medföljande takkroken eller takupphängningsöglan.
- Ta hänsyn till minsta avstånd som visas i figur C.
- Anslut terrassvärmaren till ett jordat eluttag. Kontrollera i förväg om spänningsnivån matchar enheten.
- Kontrollera att karbinhakarna stängs ordentligt och att enheten hänger stilla. Den får inte kunna tappas, skjutas iväg, glida eller liknande! Använd endast värmaren när den står i upprätt läge.

#### Montering av fjärrkontrollen (fig. B)

- Vänd fjärrkontrollen (8) och ta bort batteriluckan på baksidan.
- Sätt i två AAA/alkaliska batterier i fjärrkontrollen (8) enligt instruktionerna och batteriernas polaritet.
- Byt batterierna på samma sätt som ovan.

### 4. DRIFT

#### Igångsättning och avstängning (fig. A, B)

Värmaren kan endast slås på och av med fjärrkontrollen (8). Före användning måste strömbrytaren (5) på värmaren först sättas på. Utan fjärrkontroll kan värmaren inte användas. Kontakta Vonroc kundtjänst om du inte har fjärrkontrollen.

- Vrid först strömbrytaren (5) på värmaren till påslaget läge "ON".
- Tryck på knappen (9) på fjärrkontrollen (8) för att sätta på värmaren.
- Tryck på knappen (9) på fjärrkontrollen (8) för att sätta på värmaren.
- Tryck strömbrytaren (5) på värmaren till läge "OFF" för att stänga av.

Notera: Se till att rikta fjärrkontrollen (8) mot fjärrkontrollens mottagare (10). Alla VONROC-värmare och deras fjärrkontroller använder samma frekvens, så det är möjligt att styra flera värmare med bara en fjärrkontroll.

#### Justera effektnivån (bild A, B)

Värmeeffekten kan justeras till två nivåer:

- Nivå 1 - 1000 W (50 % effekt) "L1" på displayen (10)
- Nivå 2 - 2000 W (100 % effekt) "L2" på displayen (10)

Den önskade nivån kan väljas med fjärrkontrollen. Tryck på knappen för värmenivå (14) och använd därefter upp-knappen (12) för att öka nivån och ned-knappen (11) för att minska nivån.

### Användning av timerfunktion (bild A,B)

Värmaren är utrustad med en timerfunktion som gör att den kan vara påslagen under en vald tid. Det valbara området är mellan 0 och 24 timmar och kommer att visas på displayen (10).

Till exempel, när du väljer 3 timmar på timern, kommer värmaren att vara på i 3 timmar och stängs sedan av automatiskt.

För att använda timern, tryck på värmenivåknappen (13) och ställ sedan in timern med upp-knappen (12) och ned-knappen (11).

## 5. UNDERHÅLL



Se alltid till att maskinen inte är ansluten till elnätet när du utför underhåll av mekanismen.



**FÖRSIKTIGHET:** Risk för elstöt. Försök INTE öppna eller reparera värmaren själv

Rengör maskinens hus regelbundet med en mjuk trasa, helst efter varje gång du använder maskinen. Se till att ventilationsöppningarna är fria från damm och smuts. Ta bort envis smuts med en mjuk trasa fuktad med tvållösning. Använd inte lösningsmedel som bensin, alkohol, ammoniak osv. Sådana kemikalier skadar de syntetiska komponenterna.

- Använd INTE alkohol, bensin, slipande pulver, möbelpolish eller grova borstar för att rengöra värmaren. Detta kan orsaka skada eller försämring av värmarens yta.
- Sänk ALDRIG värmaren i vatten.
- Vänta tills värmaren är helt torr före användning.

### OBS!:

- Koppla alltid bort värmaren från eluttaget och låt den svalna innan du rengör den.
- Om värmaren har samlat damm eller smuts inuti enheten eller runt värmeelementet, måste enheten rengöras av en kvalificerad servicetekniker. Använd inte värmaren i detta tillstånd.
- Det enda underhåll som krävs är rengöring av värmarens yttre ytor.

- Rör inte vid värmeelementet med bara fingrar, eftersom rester från handen kan påverka lampans livslängd. Vid oavsiktlig beröring avlägsnar du fingermärkena med en mjuk trasa fuktad med menthol eller alkohol.
- Försök inte reparera eller justera några elektriska eller mekaniska funktioner på denna värmare.
- Värmaren innehåller inga delar som kan repareras av användaren. Om produkten skadas eller går sönder, måste den returneras till tillverkaren eller dess serviceagent.
- Om en strömsladd är skadad måste den bytas av tillverkaren, tillverkarens serviceombud eller liknande kvalificerad personal för att undvika fara.

### Förvaring

Förvara värmaren på en sval, torr plats när den inte används för att förhindra att damm och smuts byggs upp. Använd förpackningskartongen för att lagra den.

### Felsökning

Om värmaren inte fungerar ska du kontrollera följande innan du söker reparation eller service:

- Kontrollera om nätsladden är ansluten till ett eluttag, om inte, anslut den
- Kontrollera om elen till huvudsäkringen fungerar
- Se till att strömbrytarna är på. Om inte, välj en inställning

## MILJÖ



Felaktig och/eller kasserad elektrisk eller elektronisk utrustning måste lämnas in på lämpliga återvinningsstationer.

### Endast för EU-länder

Släng inte elverktyg i hushållsavfallet. Enligt det europeiska WEEE-direktivet 2012/19/EU för avfall från elektrisk och elektronisk utrustning och dess tillämpning nationellt ska elverktyg som inte längre kan användas samlas in separat och kasseras på ett miljövänligt sätt.



## GARANTI

VONROC produkter är utvecklade enligt högsta kvalitetsstandard och garanteras vara utan defekter både vad gäller material och tillverkning under den period som stipuleras enligt lag med början från ursprungligt inköpsdatum. Om något fel uppstår på produkten under denna period på grund av material- och/eller tillverkningsfel skall VONROC kontaktas direkt.

Följande omständigheter exkluderas från denna garanti:

- Reparationer eller ändringar som gjorts eller försökt göras på maskinen av ett icke auktoriserat servicecenter.
- Normalt slitage.
- Verktyget har missbrukats, använts fel eller underhållits på felaktigt sätt.
- Icke-originalreservdelar har använts.

Detta utgör hela garantin från företaget, antingen uttryckt eller underförstått. Det finns inga andra garantier, uttalade eller underförstådda som gäller utöver ordalydelsen härav, häri, inklusive de uttalade garantierna för säljbarhet och lämplighet för ett särskilt syfte. Under inga omständigheter skall VONROC hållas ansvarig för några oförutsedda eller indirekta skador. Återförsäljarens åtgärder skall begränsas till reparation eller byte av felaktiga enheter eller delar.

**Med förbehåll för ändringar i produkten och bruksanvisningen. Specifikationer kan ändras utan förvarning.**

## 1. SIKKERHEDSANVISNINGER

Læs de medfølgende sikkerhedsadvarsler, de supplerende sikkerhedsadvarsler og instruktionerne. Såfremt sikkerhedsadvarsler og instruktioner ikke følges, kan dette medføre elektriske stød, brand og/eller alvorlige ulykker. Gem alle sikkerhedsadvarsler og instruktioner til fremtidig reference.

Følgende symboler anvendes i denne brugermanual eller på produktet:



Læs brugermanualen.



Angiver risiko for personskade, dødsfald eller beskadigelse af varmeren i tilfælde af manglende overholdelse af anvisningerne i denne vejledning.



Risiko for elektrisk stød.



Forsigtig: varm overflade!



Dæk ikke enheden til.



Jordforbindelse symbol. Dette apparat er klassificeret som beskyttelsesklasse I og skal tilsluttes en jordet stikkontakt.



Produktet overholder de gældende sikkerhedsstandarder i de europæiske direktiver.

**GENERELLE SIKKERHEDSFORSKRIFTER  
DISSE INSTRUKTIONER SKAL LÆSES OMHYGGELIGT  
OG GEMMES TIL FREMTIDIG REFERENCE, Producenten kan ikke holdes ansvarlig for skader forårsaget af manglende overholdelse af disse instruktioner.**

### VIGTIGE SIKKERHEDSANVISNINGER

LÆS OMHYGGELIGT - Den infrarøde varmer er udviklet til sikker betjening. Ikke desto mindre kan varmerens installation, vedligeholdelse og betjening være farlig. Overholdelsen af de følgende procedurer reducerer risikoen for brand, elektrisk stød, personskade og holder installationstiden på et minimum. Gem disse instruktioner til fremtidig brug.

- Læs alle instruktioner, inden du bruger denne varmer.
- Tag enheden ud af dens emballage, og kontroller, at den er i god stand inden brug.

- Lad ikke børn lege med emballagedele (såsom plastikposer).
- Kontrollér husstandens spænding for at sikre, at den svarer til varmerens nominelle specifikation.
- Kontrollér netledningen og stikket omhyggeligt inden brug, for at sikre, at de ikke er beskadigede.
- Før du trækker netledningen ud, skal du sørge for at slukke for strømmen, og når du tænder for enheden, skal du sørge for, at dine hænder er tørre, for at forhindre elektrisk stød.
- Brug kun terrassevarmeren udendørs eller i et stort åbent område. Hold alle brændbare genstande som presenninger, parasoller, grene, møbler, gardiner, papir osv. væk fra enheden (mindst 1 meter – også hvis det drejer sig om ikke-stationære genstande!). Der skal være en afstand til væggene på mindst 1 meter. Hovedet skal befinde sig mindst 180 cm over jorden. Hvis du placerer enheden under et tag, skal der være en afstand på mindst 50 cm mellem terrassevarmerens hætte og det (ikke-brændbare) loft. Med et brændbart tag (træ, plast, presenning osv.) skal denne afstand være mindst 1 meter. Sørg altid for god udluftning!
- Placer ikke enheden lige over eller under en stikkontakt (ikke umiddelbart i nærheden).
- Terrassevarmeren er kun beregnet til husholdningsbrug. Du bør derfor ikke bruge den på byggepladser, i drivhuse, lader eller boder osv., selvom hvis de er ret åbne. Der er normalt for meget brændbart materiale på disse steder.
- Brug ikke denne terrassevarmer til at oplade en sauna eller som en permanent område- eller rumvarmer.
- Brug ikke denne terrassevarmer i en kennel eller på andre steder, hvor der er dyr til stede.
- Brug den ikke i nærheden af eller umiddelbart i nærheden af et badeværelse eller en swimmingpool eller nogen væskekilde. Selvom enheden er stænkæt, skal du være forsigtig med vand. Sørg for, at den ikke kan falde ned i vandet, og udsæt den ikke for kraftige vandstråler. Rør den ikke med våde hænder, og placer ikke enheden i området tæt på et badeværelse, et toilet, en swimmingpool eller en anden vandforsyning, da dette er farligt.
- For at beskytte mod elektrisk stød må ledningen og stikket ikke nedsænkes i vand eller anden væske.
- Undlad at indsætte eller lade fremmedlegemer trænge ind i nogen form for ventilations- eller udsugningsåbning, da dette kan forårsage elektrisk stød, brand eller beskadigelse af varmeren.
- Sørg for, at der er tilstrækkeligt lys. Kontakterne på enheden skal kunne ses tydeligt fra 1 meters afstand.
- Træk altid varmerens stik ud, når den ikke er i brug. Lad aldrig enheden være uden opsyn under brug, men sluk for den og træk stikket ud. Brug ikke enheden sammen med en programmeringsenhed, timer eller anden anordning, der tænder enheden automatisk.
- Brug ikke varmeren med en ekstern spændingsregulator såsom en lysdæmper, hastighedsregulator osv. Dette medfører en elektrisk fare.
- Sørg for, at ledningen ikke hænger ud over (skarpe) kanter, ikke danner kraftige kurver, ikke rører ved varme overflader. Undlad at vikle ledningen omkring enheden.
- Lad ikke ledningen hænge ud over bordpladen, hvor børn let kan trække i den.
- Stik ikke fingre eller fremmedlegemer ind i risten, mens den er i drift.
- Lad ikke apparatet være uden opsyn, når det er i brug.
- Denne varmer er ikke beregnet til brug på badeværelser, i vaskerum og lignende steder indenfor. Placer aldrig varmeren, hvor den kan falde ned i et badekar eller en anden vandbeholder.
- Der påtages intet ansvar for skader, der skyldes manglende overholdelse af disse instruktioner eller anden forkert brug eller forkert håndtering.
- Dette apparat kan bruges af børn fra 8 år og derover og personer med nedsatte fysiske, sensoriske eller mentale evner eller manglende erfaring og viden, hvis de har fået tilsyn eller instruktioner om brug af apparatet på en sikker måde og forstår farerne involveret. Børn må ikke lege med apparatet. Rengøring og brugervedligeholdelse må ikke foretages af børn uden opsyn.
- Hvis enheden af en eller anden grund får revner eller brud, eller hvis du finder defekter eller forstyrrelser af aluminiumshuset eller andre dele, skal du straks holde op med at bruge enheden og tage stikket ud af stikkontakten.
- Hvis netledningen på nogen måde bliver beskadiget, skal den udskiftes af producenten eller dens serviceagent eller en lignende kvalificeret person for at undgå farer.
- For at forhindre overophedning af dette apparat skal luftindgangene og -udgangene holdes rene og fri for alt, der kan forårsage blokering. Kontrol-

ler indgangene og udgangene fra tid til anden for at sikre, at de er fri for ophobning af snavs eller støv. MÅ IKKE TILDÆKKES. Advarselsmærkaten om ikke at tildække enheden skal også placeres et helt synligt sted efter installationen. Den må derfor ikke placeres på bagsiden.

- Dele af varmeren kan overskride 200°C, kontakt med varmerøret, reflektoren eller metaldele i nærheden af varmerøret kan forårsage alvorlige FORBRÆNDINGER. For at undgå forbrændinger må du ikke lade bar hud komme i kontakt med den varme overflade.
- Hold ALDRIG hænderne under varmelegemerne. Lad ALTID varmelegemet køle af mindst 10 minutter, inden du berører varmerøret eller tilstødende dele.
- Opbevar ikke brændbare væsker eller materialer såsom maling, benzin, gastanke osv. i umiddelbar nærhed af enheden. Brug ikke enheden i brandfarlige omgivelser, såsom tæt på brændbare gastanke, gasrør eller spraydåser. Fare for eksplosion og brand!
- Dette produkt indeholder genanvendelige materialer. Bortskaf ikke dette produkt som usorteret husholdningsaffald. Kontakt din kommune for det nærmeste indsamlingssted.

#### Elektrisk sikkerhed



Kontroller altid, at strømforsynings spænding svarer til spændingen på typeskiltet.

- Hvis el-værktøjets forsyningsledning er beskadiget, skal det udskiftes med en specielt forberedt forsyningsledning, der er tilgængelig via serviceorganisationen.
- Brug kun forlængerledninger, der er mindst egnede til maskinens effekt tykkelse på 1,5 mm<sup>2</sup>. Hvis du bruger en forlænger kabelrulle, skal du altid rulle kablet helt ud.

## 2. MASKINOPLYSNINGER

#### Anvendelsesformål

Dette produkt er designet som en terrassevarmer til husholdningsmiljøer. Varmelegemet er beregnet til private haver eller andre udendørs områder derhjemme. Varmelegemet må ikke bruges til opvarmning af et indendørs rum, brug som et ikke-husholdningsvarmer eller til tørring af tekstiler eller andre materialer. Dette varmelegeme er ikke

udstyret med en enhed til at kontrollere stuetemperaturen, så brug ikke denne varmelegeme i rum, når de er optaget af personer, der ikke er i stand til at forlade rummet alene, medmindre der er konstant tilsyn. Enheden skal kun bruges til det foreskrevne formål. Enhver anden anvendelse anses for at være et tilfælde af misbrug.

#### TEKNISKE SPECIFIKATIONER

Model nr.	PH509AC
Spænding	220-240 V ~
Frekvens	50-60 Hz
Strøm	2000 W
Effektindstillinger	1: 1000 W 2: 2000 W
Type varmelegeme	Kulfiberlampe
Opvarmningstid	3 sekunder
Bølgelængde	3,0-1000 mikrometer
Strålingsvirkningsgrad	90%
Opvarmningsafstand	2-3 m
Opvarmningsområde	7-9 m <sup>2</sup>
Farvetemperatur	1600 K
Beskyttelse mod overophedning	Ja
Elektronisk blød start	Ja
Indtrængningsbeskyttelsesklasse	IP44
Beskyttelsesklasse	Klasse I
Vægt	2,36 kg

#### BESKRIVELSE

Tallene i den følgende tekst korresponderer med afbildningen på side 2.

1. Hængekæde
2. Strømkabel
3. Hængekrog
4. Karabinhage
5. Tænd/sluk-kontakt
6. Varmer
7. Beskyttelsesrist
8. Fjernbetjening
9. Fjernbetjeningens tænd/sluk-knap
10. Modtager til fjernbetjening med display
11. Ned-knap

- 12. Op-knap
- 13. Timer-knap
- 14. Varmeniveaueknep

### 3. MONTERING



*Denne varmer skal installeres af en kompetent person, dvs. en kvalificeret elektriker.*



*Afbryd altid varmeren fra strømforsyningen, og lad den afkøle før installationen.*

#### Installation af varmeren (fig. A, C)



*Monter altid enheden med det medfølgende tilbehør.*

Før du starter installationen, skal du tage hensyn til følgende:

- Stil enheden på en fast, jævn loftsflade – varmeren skal installeres på en stærk, stiv understøttelse (såsom stærke træbjælker eller metalskinner osv.).
- Enheden skal hænges op, så der er 50 cm fri plads mellem varmeren og et eventuelt loft, en eventuel teltudg osv. Der skal også være en afstand på mindst 1,80 m mellem jorden og undersiden af enheden. Se fig. C. Enheden kan aldrig hænges på en krog i væggen, da den kan hænge skævt!
- Den krog, der bruges til at hænge varmeren op, skal kunne klare en vægt, der er 3 eller 4 gange så tung som selve varmeren.
- Sørg for, at forsyningskablerne er godt monteret, og at de ikke kommer i kontakt med varmerens reflektor eller bliver trukket ind i det opvarmede område.
- Installer ikke varmeren på en brandfarlig overflade.
- Hvis varmeren skal bruges udenfor, anbefales det kraftigt at anvende en vejrbestandig stikkontakt.
- Inden du borer, skal du sørge for, at der ikke er ledninger eller vandrør i det område, hvor varmeren skal installeres.

Følg disse trin for at installere varmeren:

- Enheden er forsynet med en hængekæde (1) og to karabinhager (4). Sæt en karabinhage (4) på begge ender af kæden (1).
- Monter den ene side af kæden på hængekrogen (3) ved hjælp af karabinhagen (4), som vist på fig. A.
- Sørg for, at der er et fastgørelsespunkt, hvorfra enheden kan hænge frit ned, og at det er robust nok til at holde varmeren helt uden problemer.

Fastgør den på en sådan måde, at den ikke kan falde, glide, skride eller på anden måde bevæge sig.

- Fastgør den ubrugte karabinhage (4) til varmerkæden på den forsynede loftekrog eller loftshængeøje.
- Tag hensyn til minimumsafstandene som vist på figur C.
- Slut terrassevarmerens stik til en jordforbundet stikkontakt. Kontrollér på forhånd, om den nominelle spænding svarer til enhedens spænding.
- Kontrollér, at karabinhagerne lukkes korrekt, og at enheden hænger uden at bevæge sig. Den må ikke kunne glide, falde, skride eller lignende! Betjen kun varmeren, når den står lodret.

#### Montering af fjernbetjeningen (fig. B)

- Vend fjernbetjeningen (8) om på bagsiden, og tag batteridækslet af.
- Indsæt 2 batterier af AAA-/Alkaline-typen i fjernbetjeningen (8) i overensstemmelse med instruktionerne og batteriernes polaritet.
- Udskift batterierne på samme måde som afbildet herover.

### 4. BETJENING

#### Tænd/sluk (fig. A, B)

Varmeren kan kun tændes og slukkes ved hjælp af fjernbetjeningen (8). Inden brug skal tænd/sluk-kontakten (5) på varmeren først tændes. Uden en fjernbetjening kan varmeren ikke betjenes. Hvis du ikke er i besiddelse af fjernbetjeningen, bedes du kontakte Vonroc-kundeservice.

- Sæt først kontakten (5) på varmeren i positionen 'ON' (tændt).
- Tryk på knappen (9) på fjernbetjeningen (8) for at tænde for varmeren.
- For at slukke for varmeren skal du igen trykke på (9) på fjernbetjeningen (8).
- Tryk på kontakten (5) på varmeren, så den står i positionen 'OFF' (sluk), for at slukke.

Bemærk: Sørg for at vende fjernbetjeningen (8) i retning af fjernbetjeningens modtager (10). Alle VONROC-varmere og deres fjernbetjeningen bruger den samme frekvens, så flere varmere kan styres med en enkelt fjernbetjening.

### Justering af effektniveauet (fig. A, B)

Varmereffekten kan justeres i to niveauer:

- Niveau 1 - 1000 W (50% strøm) 'L1' på display (10)
- Niveau 2 - 2000W (100% strøm) 'L2' på display (10)

Det ønskede niveau kan vælges ved hjælp af fjernbetjeningen. Tryk på varmeniveauknappen (14) og brug derefter op-knappen (12) til at øge niveauet og ned-knappen (11) til at reducere niveauet.

### Brug af timer-funktionen (fig. A, B)

Varmeren er udstyret med en timer-funktion, der gør det muligt for varmeren at forblive tændt i en valgt tidsperiode. Der kan vælges et område mellem 0 og 24 timer, og det vil blive vist på displayet (10).

Når du f.eks. vælger 3 timer på timeren, forbliver timeren tændt i 3 timer og slukkes derefter automatisk.

For at bruge timeren skal du trykke på varmeniveauknappen (13) og derefter indstille timeren ved hjælp af op-knappen (12) og ned-knappen (11).

## 5. VEDLIGEHOLDELSE



Sørg altid for, at maskinen ikke er sluttet til elnettet, når du udfører vedligeholdelse af mekanismen.



**FORSIGTIG:** Risiko for elektrisk stød. Du må IKKE åbne eller selv prøve at reparere varmeren.

Rengør maskinbeklædningerne regelmæssigt med en blød klud, helst efter hver anvendelse. Sørg for, at der ikke er støv eller snavs i ventilationsåbningerne. Fjern snavs, der sidder meget godt fast, med en blød klud, der er fugtet i sæbevand. Brug ikke opløsningsmidler, som f.eks. benzin, sprit, ammoniak osv. Kemikalier som disse beskadiger de syntetiske komponenter.

- Brug IKKE alkohol, benzin, slibepulver, møbelvoks eller ru børster til at rengøre varmeren. Dette kan forårsage beskadigelse eller forringelse af varmerens overflade.
- Nedsenk IKKE varmeren i vand.
- Vent, til varmeren er helt tør, inden brug.

### VIGTIGT:

- Afbryd altid varmeren fra strømforsyningen, og lad den afkøle, før du forsøger at rengøre den.
- Hvis varmeren har samlet støv eller snavs inde i enheden eller omkring varmelegemet, skal enheden rengøres af en kvalificeret servicetekniker. Betjen ikke varmeren i denne tilstand.
- Den eneste vedligeholdelse, der kræves, er rengøring af varmelegemets udvendige overflader.
- Rør ikke ved varmelegemet med bare fingre, da rester fra din hånd kan påvirke pærens levetid. Hvis du utilsigtet kommer til at røre ved det, skal du fjerne fingeraftrykene med en blød klud fugtet med alkohol eller sprit med menthol.
- Forsøg ikke at reparere eller justere elektriske eller mekaniske funktioner på denne varmer.
- Varmeren indeholder ingen dele, der kan repareres af brugeren. Skulle produktet blive beskadiget eller gå i stykker, skal det leveres tilbage til producenten eller dets serviceagent.
- Beskadigede forsyningsledninger skal udskiftes af producenten, serviceagenten eller en lignende kvalificeret person for at undgå farer.

### Opbevaring

Opbevar varmeren et tørt og køligt sted, når den ikke er i brug, for at forhindre ophobning af støv og snavs. Brug emballagekarton til opbevaring.

### Fejlfinding

Hvis varmeren ikke virker, bedes du kontrollere følgende, inden du anmoder om reparation eller service:

- Kontrollér, om nedledningen er sluttet til en stikkontakt, og hvis ikke, skal den tilsluttes
- Kontrollér, om elektriciteten til hovedsikringen virker
- Sørg for, at strømkontakterne er tændt, og hvis ikke, skal du vælge en indstilling

### MILJØ



Defekte og/eller bortskaffede elektriske og elektroniske apparater skal afleveres på en passende genbrugsstation.

### Kun for EU-lande

Smid ikke el-værktøjer ud sammen med almindeligt affald. I henhold til de europæiske direktiver 2012/19/EU for elektrisk og elektronisk udstyr og er implementeret i henhold til nationale rettigheder,

el-værktøj som ikke længere er anvendelig skal indsamles separat og genbruges på en miljøvenlig måde.

## GARANTI

VONROC produkter er udviklet efter de højeste kvalitetsstandarder og er garanteret fri for mangler i såvel materialer som udførelse i den lovlige periode, der starter fra datoen for det oprindelige køb. Skulle produktet udvikle nogen fejl i løbet af denne periode på grund af defekte materialer og/eller fabrikationsfejl, så kontakt VONROC direkte.

De følgende forhold er udelukket fra denne garanti:

- Reparationer og eller rettelser er blevet foretaget eller forsøgt foretaget på maskinen af uautoriserede servicecentre.
- Normal slitage.
- Værktøjet har været misligholdt, misbrugt eller vedligeholdt forkert.
- Ikke originale reservedele er blevet anvendt.

Dette udgør den eneste garanti fra virks omheden enten udtrykt eller underforstået. Der er ingen andre garantier udtrykt eller underforstået, som strækker sig ud over forsiden heraf, heri, herunder underforståede garantier for salgbarhed og egnethed til et bestemt formål. VONROC vil under ingen omstændigheder være ansvarlig for hændelige skader eller følgeskader. Forhandlernes afhjælpningsmidler vil være begrænsede til reparation eller udskiftning af fejlbehæftede enheder eller dele.

**Produktet og brugermanualen kan ændres. Specifikationer kan ændres uden forudgående varsel.**

## 1. INSTRUKCJE BEZPIECZEŃSTWA

Przeczytać dołączone ostrzeżenia dotyczące bezpieczeństwa, dodatkowe ostrzeżenia dotyczące bezpieczeństwa oraz instrukcję. Nieprzestrzeganie ostrzeżeń dotyczących bezpieczeństwa oraz instrukcji może prowadzić do porażenia prądem, pożaru i/lub poważnych obrażeń ciała. Zachować ostrzeżenia dotyczące bezpieczeństwa oraz instrukcje na przyszłość.

Następujące symbole są umieszczone w instrukcji obsługi lub na produkcie:



*Przeczytać instrukcję obsługi.*



*Oznacza ryzyko obrażeń ciała, śmierci lub uszkodzenia grzejnika w razie nieprzestrzegania poleceń z instrukcji.*



*Ryzyko porażenia prądem.*



*Uwaga gorąca powierzchnia!*



*Nie przykrywać urządzenia.*



*Symbol uziemienia. To urządzenie posiada I klasę ochrony i musi być podłączone do uziemionego gniazdka sieciowego.*



*Produkt spełnia wymogi odpowiednich norm bezpieczeństwa podanych w dyrektywach UE.*

## OGÓLNE ZALECENIA DOTYCZĄCE BEZPIECZEŃSTWA

**DOKŁADNIE PRZECZYTAĆ INSTRUKCJĘ I ZACHOWAĆ JĄ NA PRZYSZŁOŚĆ.** Producent nie ponosi odpowiedzialności za szkody spowodowane nieprzestrzeganiem tej instrukcji.

## WAŻNE INSTRUKCJE DOTYCZĄCE BEZPIECZEŃSTWA

PRZECZYTAĆ UWAGAŃNIE - Grzejnik na podczerwień został zaprojektowany tak, aby zapewnić bezpieczną pracę. Mimo tego, instalacja, konserwacja i obsługa grzejnika może być niebezpieczna. Przestrzeganie poniższych procedur ograniczy ryzyko pożaru, porażenia prądem, obrażeń ciała osób oraz pozwoli maksymalnie skrócić czas instalacji. Zachować tę instrukcję na przyszłość.

- Przeczytać instrukcję w całości przed rozpoczęciem korzystania z grzejnika.
  - Wyjąć urządzenie z opakowania i sprawdzić, czy jest w dobrym stanie przed rozpoczęciem eksploatacji.
  - Nie pozwalać dzieciom bawić się elementami opakowania (jak torby plastikowe).
  - Sprawdzić napięcie w instalacji domowej, aby dopilnować, że jest zgodne z parametrami znamionowymi zasilania grzejnika.
  - Sprawdzić kabel i wtyczkę zasilania dokładnie przed użyciem, aby dopilnować, że nie są uszkodzone.
  - Przed odłączeniem wtyczki kabla zasilania koniecznie wyłączyć zasilanie. Włączać urządzenie wyłącznie suchymi rękami, aby uniknąć porażenia prądem.
  - Używać grzejnika ogrodowego tylko na wolnym powietrzu lub na dużej i otwartej przestrzeni. Trzymać łatwopalne przedmioty, jak plandeki, parasole, gałęzie, meble, zasłony, papier itp. z dala od urządzenia (co najmniej w odstępnie 1 metra, jeśli są to przedmioty ruchome!). Zachować odstęp co najmniej 1 metra od ścian. Spód grzejnika musi znajdować się co najmniej 180 cm nad podłożem. W przypadku umieszczenia urządzenia pod dachem, musi być zapewniony odstęp co najmniej 50 cm między górną powierzchnią kłosa grzejnika a (niepalnym) sufitem. Jeśli dach jest palny (wykonany z drewna, tworzywa sztucznego, brezentu itp.), odstęp musi wynosić co najmniej 1 metr. Zawsze zapewniać dobrą wentylację!
  - Nie umieszczać urządzenia bezpośrednio nad lub pod gniazdkiem ściennym (nie w jego bezpośredniej bliskości).
  - Grzejnik ogrodowy jest przeznaczony wyłącznie do użytku domowego. Dlatego nie należy używać go na placach budowy, w szklarniach, stodołach lub straganach itp., nawet jeśli są to przestrzenie w znacznym stopniu otwarte. Zwykle w takich miejscach znajduje się za dużo materiałów palnych.
  - Nie używać tego grzejnika ogrodowego do ogrzewania sauny ani jako trwałego sposobu ogrzewania pokoju lub przestrzeni.
  - Nie używać tego grzejnika ogrodowego w psiej budzie ani innych miejscach, w których znajdują się zwierzęta.
  - Nie używać w pobliżu ani w bezpośrednim sąsiedztwie wanny, basenu lub źródła cieczy.
- Mimo tego, że urządzenie jest odporne na rozbryzgi wody, w jego pobliżu należy ostrożnie obchodzić się z wodą. Dopilnować, aby urządzenie nie mogło wpaść do wody i nie narażać go na silne strumienie wody. Nie dotykać urządzenia mokrymi rękami i nie stawiać go w bezpośrednim pobliżu wanny, umywalki, basenu ani innego zbiornika z wodą lub źródła wody, ponieważ jest to niebezpieczne.
- Aby chronić się przed porażeniem prądem, nie zanurzać kabla ani wtyczki w wodzie ani innej cieczy.
  - Nie wkładać ani nie pozwalać na wpadanie ciał obcych do otworów wentylacyjnych ani wylotowych, ponieważ może to spowodować porażenie prądem, pożar lub uszkodzenie grzejnika.
  - Zapewnić odpowiednie oświetlenie. Włączniki na urządzeniu muszą być prawidłowo widoczne z odległości 1 metra.
  - Zawsze odłączać grzejnik od zasilania, gdy nie jest w użytku. Nigdy nie pozostawiać włączonego urządzenia bez nadzoru, tylko wyłączając je i odłączając od zasilania. Nie używać urządzenia w połączeniu z wyłącznikiem (programatorem) czasowym lub innym urządzeniem, które automatycznie włącza urządzenie.
  - Nie używać grzejnika z zewnętrznym regulatorem napięcia, takim jak ściemniacz światła, regulator prędkości itp. Powoduje to zagrożenie elektryczne.
  - Dopilnować, aby kabel nie leżał na (ostrych) krawędziach, nie był silnie zagięty i nie dotykał gorących powierzchni. Nie owijać kabla wokół urządzenia.
  - Nie pozwalać, aby kabel zwisał z blatu, gdzie może zostać łatwo pociągnięty przez dziecko.
  - Nie wkładać palców ani ciał obcych w kratkę grzejnika podczas jego pracy.
  - Nie pozostawiać włączonego urządzenia bez nadzoru.
  - Ten grzejnik nie jest przeznaczony do użytku w łazienkach, pralniach itp. miejscach w pomieszczeniach. Nigdy nie ustawiać grzejnika w miejscu, z którego mógłby wpaść do wanny lub innego zbiornika z wodą.
  - Nie ponosimy odpowiedzialności za żadne szkody spowodowane nieprzestrzeganiem tej instrukcji, niewłaściwym użytkowaniem urządzenia i nieprawidłowym obchodzeniem się z urządzeniem.

- To urządzenie może być używane przez dzieci w wieku od 8 lat i starsze oraz osoby z ograniczonymi zdolnościami fizycznymi, sensorycznymi lub umysłowymi lub bez doświadczenia i wiedzy, jeśli są one pod nadzorem lub zostały poinstruowane dotyczące korzystania z urządzenia w bezpieczny sposób i rozumieją zagrożenia zaangażowany. Dzieci nie mogą bawić się urządzeniem. Dzieci bez nadzoru nie mogą czyścić ani konserwować urządzenia.
- Jeśli w urządzeniu z jakiegoś powodu pojawia się pęknięcia lub w przypadku stwierdzenia niedoskonałości lub przerw w aluminiowej obudowie lub innej części, niezwłocznie zaprzestać eksploatacji urządzenia i wyjąć jego wtyczkę zasilania z gniazdka.
- Jeśli kabel zasilania jest w jakikolwiek sposób uszkodzony, musi go wymienić producent, jego przedstawiciel serwisowy lub podobnie, odpowiednio wykwalifikowana osoba, aby uniknąć zagrożenia.
- Aby zapobiec przegrzaniu tego urządzenia, utrzymywać wloty i wyloty powietrza czyste i wolne od wszelkich przedmiotów, które mogłyby powodować zatory. Sprawdzać wszystkie wloty i wyloty od czasu do czasu, aby zagwarantować, że są wolne od wszelkich zanieczyszczeń i nagromadzonego pyłu. **NIE ZASŁANIAĆ.** Etykieta ostrzegająca przed zasłanianiem urządzenia musi również zostać umieszczona w widocznym miejscu po instalacji. Oznacza to, że nie wolno jej umieszczać z tyłu urządzenia.
- Części grzejnika mogą nagrzewać się do temperatury powyżej 200°C. Dotknięcie rurki grzejnej, reflektora lub części metalowych w pobliżu rurki grzejnej może spowodować poważne OPARZENIA. Aby uniknąć oparzeń, nie dotykać gorącej powierzchni nieosłoniętą skórą.
- **NIGDY** nie kłaść rąk pod elementami grzejnymi. **ZAWSZE** pozwalać elementowi grzejnemu ostygnąć przez co najmniej 10 minut przed dotknięciem rurki grzejnej lub sąsiednich części.
- Nie przechowywać żadnych palnych cieczy ani materiałów, jak farba, benzyna, zbiorniki z gazem itp. w bezpośrednim pobliżu urządzenia. Nie używać urządzenia w palnym otoczeniu, np. w pobliżu zbiorników z łatwopalnym gazem, rur z gazem, pojemników ciśnieniowych lub puszek z gazem w sprayu. Ryzyko wybuchu i pożaru!
- Ten produkt zawiera materiały nadające się do recyklingu. Nie wyrzucać produktu wraz ze

zmieszanymi odpadami z gospodarstw domowych. Proszę skontaktować się z lokalnymi władzami w celu uzyskania informacji o najbliższym punkcie zbiórki selektywnej.

### Bezpieczeństwo elektryczne



*Zawsze sprawdzać, czy napięcie w sieci odpowiada napięciu na tabliczce znamionowej urządzenia.*

- Nie używać urządzenia, jeśli przewód zasilający lub wtyczka jest uszkodzona.
- Używać wyłącznie takich przedłużaczy, które są odpowiednie dla mocy znamionowej urządzenia, o średnicy minimum 1,5 mm<sup>2</sup>. W przypadku używania przedłużacza na szpuli, całkowicie rozwinąć przewód.

## 2. INFORMACJE O MASZYNIE

### Przeznaczenie

Ten produkt został zaprojektowany jako grzejnik tarasowy do użytku domowego. Grzejnik jest przeznaczony do prywatnych ogrodów lub innych terenów zewnętrznych w domu. Grzejnik nie może być używany do ogrzewania pomieszczeń w pomieszczeniach, jako grzejnik do pomieszczeń innych niż domowe ani do suszenia tekstyliów lub innych materiałów. Ten grzejnik nie jest wyposażony w urządzenie do regulacji temperatury w pomieszczeniu, dlatego nie należy go używać w pomieszczeniach, w których przebywają osoby, które nie są w stanie samodzielnie wyjść z pomieszczenia, chyba że zapewniony jest stały nadzór. Urządzenie powinno być używane tylko zgodnie z jego przeznaczeniem. Każde inne użycie jest uważane za niewłaściwe użycie.

### DANE TECHNICZNE

Nr modelu	PH509AC
Napięcie	220-240 V ~
Częstotliwość	50-60 Hz
Moc	2000 W
Ustawienia mocy	1: 1000 W 2: 2000 W
Typ elementu grzejnego	Lampa z włókna węglowego
Czas rozgrzewania	3 sekundy
Długość fali	3,0-1000 mikronów



Sprawność promieniowania	90%
Odległość ogrzewania	2-3 m
Ogrzewany obszar	7-9 m <sup>2</sup>
Temperatura barwowa	1600 K
Ochrona przed przegrzaniem	Tak
Elektroniczny płynny rozruch	Tak
Stopień ochrony	IP44
Klasa ochrony	Klasa I
Ciężar	2,36 kg

## OPIS

Liczby w tekście odnoszą się do rysunków na stronie 2.

1. Łączuch do wieszania
2. Kabel zasilania
3. Hak do wieszania
4. Karabińczyk
5. Włącznik
6. Grzejnik
7. Kratka ochronna
8. Pilot
9. Przycisk włącznika na pilocie
10. Odbiornik pilota z wyświetlaczem
11. Przycisk strzałki w dół
12. Przycisk strzałki do góry
13. Przycisk wyłącznika czasowego
14. Przycisk mocy grzania

## 3. MONTAŻ



*Ten grzejnik musi zainstalować odpowiednio wykwalifikowana osoba, tzn. wykwalifikowany elektryk.*



*Zawsze odłączaj grzejnik od zasilania elektrycznego i poczekaj aż ostygnie przed instalacją.*

### Instalacja grzejnika (rys. A, C)



*Zawsze instalować urządzenie wraz z dołączonymi akcesoriami.*

Przed rozpoczęciem instalacji uwzględnić następujące wymogi:

- Umieścić urządzenie pod wytrzymałym i poziomym sufitem. Grzejnik musi zostać zainstalowany

na wytrzymałej i sztywnej podporze (jak wytrzymałe belki drewniane lub metalowe szyny itp.).

- Urządzenie musi zostać zawieszona w taki sposób, aby pozostawić 50 cm wolnej przestrzeni między grzejnikiem a sufitem, spodem dachu namiotu z brezentu itp. Należy również zapewnić odstęp co najmniej 1,80 m między podłożem a spodem urządzenia. Patrz rys. C. Urządzenia nie wolno nigdy wieszać na haku w ścianie tak, aby wisiało pochylone!
- Hak użyty do zawieszenia grzejnika musi być w stanie unieść ciężar 3 lub 4 razy większy od grzejnika.
- Zapewnić prawidłowe zamocowanie kabli zasilających oraz zagwarantować, by kabel nie mógł zetknąć się z reflektorem grzejnika i nie znalazł się w przestrzeni ogrzewanej.
- Nie instalować grzejnika na powierzchni palnej.
- Jeśli grzejnik ma być używany na wolnym powietrzu, zdecydowanie zalecane jest użycie gniazdka odpornego na działanie warunków atmosferycznych.
- Przed wierceniem dopilnować, by w miejscu instalacji grzejnika nie znajdowały się żadne przewody ani rury z wodą.

Aby zainstalować grzejnik, postępować zgodnie z poniższą procedurą:

- Urządzenie jest dostarczane wraz z łączuchem do wieszania (1) oraz dwoma karabińczykami (4). Założyć po jednym karabińczyku (4) na każdym z końców łańcucha (1).
- Przyczepić jeden koniec łańcucha do haka do wieszania (3) za pomocą karabińczyka (4) zgodnie z rys. A.
- Zapewnić punkt mocowania, z którego urządzenie może swobodnie zwisać, o wytrzymałości wystarczającej do łatwego utrzymywania ciężaru grzejnika. Przymocować grzejnik w taki sposób, aby nie mógł spaść, zsunąć się, przesunąć ani inaczej poruszać.
- Przymocować niewykorzystany jeszcze karabińczyk (4) na drugim końcu łańcucha grzejnika do przygotowanego haka sufitowego lub ucha do wieszania pod sufitem.
- Uwzględnić minimalne odstępki przedstawione na rysunku C.
- Podłączyć grzejnik ogrodowy do uziemionego gniazdka zasilania. Wcześniej sprawdzić, czy napięcie jest zgodne z wymaganym napięciem urządzenia.

- Sprawdzić, czy karabińczyki zamykają się prawidłowo i urządzenie wisi nieruchomo. Urządzenie nie może się przesunąć, upaść, zsunąć itp.! Używać grzejnika wyłącznie wtedy, gdy wisi prosto i pionowo.

#### Montaż pilota (rys. B)

- Odwrócić pilota (8) spodem do góry i zdjąć pokrywę komory baterii.
- Włożyć 2 alkaliczne baterie AAA do pilota (8) zgodnie z instrukcją, prawidłowo ustawiając bieguny baterii.
- Wymieniać baterie zgodnie z opisem powyżej.

## 4. OBSŁUGA

#### Włączanie i wyłączenie (rys. A, B)

Grzejnik można włączać i wyłączać wyłącznie pilotem (8). Przed użyciem grzejnika włącznik (5) na grzejniku należy ustawić w położenie włączone. Obsługa grzejnika bez pilota jest niemożliwa. Jeśli pilot został zgubiony lub inaczej utracony, proszę skontaktować się z obsługą klienta firmy Vonroc.

- Najpierw przestawić włącznik (5) na grzejniku w położenie „ON”.
- Nacisnąć przycisk (9) na pilocie (8), aby włączyć grzejnik.
- Aby wyłączyć grzejnik, nacisnąć przycisk (9) na pilocie (8) jeszcze raz.
- Przestawić włącznik (5) na grzejniku w położenie „OFF”, aby go wyłączyć.

Uwaga: Kierować pilot (8) w stronę odbiornika pilota (10). Wszystkie grzejniki VONROC i ich piloty korzystają z tej samej częstotliwości, dlatego możliwa jest obsługa wielu grzejników jednym pilotem.

#### Regulacja mocy grzania (rys. A, B)

Moc grzania można ustawić na jeden z dwóch poziomów:

- Poziom 1 - 1000 W (50% mocy) „L1” na wyświetlaczu (10)
- Poziom 2 - 2000 W (100% mocy) „L2” na wyświetlaczu (10)

Żądaną moc można wybrać pilotem. Nacisnąć przycisk mocy grzania (14), po czym użyć przycisku strzałki do góry (12), aby zwiększyć moc, lub przycisku strzałki w dół (11), aby zmniejszyć moc.

#### Korzystanie z funkcji wyłącznika czasowego (rys. A,B)

Grzejnik jest wyposażony w funkcję wyłącznika czasowego pozwalającą na włączenie grzejnika na wyznaczony czas. Zakres dostępny do wyboru mieści się od 0 do 24 godzin i wybrana wartość jest wyświetlana na wyświetlaczu (10).

Na przykład, po wybraniu 3 godzin na wyłączniku czasowym, grzejnik pozostanie włączony na 3 godziny, po czym wyłączy się automatycznie.

Aby użyć wyłącznika czasowego, nacisnąć przycisk poziomu grzania (13), po czym ustawić czas przyciskami strzałek do góry (12) i w dół (11).

## 5. KONSERWACJA



*W trakcie przeprowadzania czynności konserwacyjnych części mechanicznych urządzenie musi być odłączone od zasilania.*



**PRZESTROGA:** Ryzyko porażenia prądem. *NIE otwierać ani nie próbować naprawiać grzejnika własnoręcznie*

Czyścić obudowę urządzenia regularnie miękką ściereczką, najlepiej po każdym użyciu. Dopilnować, aby otwory wentylacyjne były wolne od pyłu, kurzu i zabrudzeń. Usuwać oporne zabrudzenia miękką ściereczką zwilżoną mydlinami. Nie używać żadnych rozpuszczalników, takich jak benzyna, alkohol, amoniak itp. Takie substancje chemiczne spowodują uszkodzenie części z tworzyw sztucznych.

- NIE używać alkoholu, benzyny, ściernych proszków, środków do polerowania mebli ani szorstkich szczotek do czyszczenia grzejnika. Może to spowodować uszkodzenie lub pogorszenie stanu powierzchni grzejnika.
- NIE zanurzać grzejnika w wodzie
- Przed użyciem poczekać, aż grzejnik całkowicie wyschnie.

#### UWAGA:

- Zawsze odłączać grzejnik od zasilania elektrycznego i poczekać aż ostygnie przed jego czyszczeniem.
- Jeśli w grzejniku lub wokół elementu grzejnego zgromadził się kurz lub inne zanieczyszczenia, zlecić czyszczenie urządzenia w serwisie. Nie używać grzejnika w takim stanie.
- Jedyna wymagana czynność konserwacyjna to czyszczenie zewnętrznych powierzchni grzejnika.

- Nie dotykać elementów grzejnych gołymi rękami, ponieważ osady znajdujące się na skórze mogą mieć negatywny wpływ na trwałość lampy. W razie przypadkowego dotknięcia usunąć ślady palców miękką ściereczką zwilżoną alkoholem lub spirytusem metylovanym.
- Nie podejmować prób naprawy lub regulacji elementów elektrycznych lub mechanicznych tego grzejnika.
- Grzejnik nie zawiera żadnych części, które mógłby naprawiać użytkownik. Jeśli wystąpi uszkodzenie lub awaria urządzenia, zwrócić je do producenta lub jego przedstawiciela serwisowego.
- Jeśli kabel zasilania jest uszkodzony, musi go wymienić producent, jego przedstawiciel serwisowy lub podobnie, odpowiednio wykwalifikowana osoba, aby uniknąć zagrożenia.

### Przechowywanie

Przechowywać grzejnik w chłodnym i suchym miejscu, gdy nie jest w użytku, aby chronić go przed osadzaniem się zanieczyszczeń i kurzu. Przechowywać grzejnik w kartonie, w jakim został dostarczony.

### Związywanie problemów

Jeśli grzejnik nie działa, sprawdzić poniższe rozwiązania przed zleceniem naprawy lub przeglądu:

- Sprawdzić, czy kabel zasilania jest podłączony do gniazdka zasilania. Jeśli nie jest, podłączyć go.
- Sprawdzić, czy zasilanie dochodzi do głównego bezpiecznika
- Sprawdzić, czy włączniki zasilania są ustawione w położenie włączenia. Jeśli nie, ustawić je odpowiednio.

## SRODOWISKO



Uszkodzone i/lub niepotrzebne urządzenia elektryczne lub elektroniczne podlegają zbiórce w odpowiednich punktach recyklingu.

### Tylko kraje WE

Nie wyrzucać elektronarzędzi wraz z odpadami z gospodarstw domowych. Zgodnie z dyrektywą 2012/19/WE dotyczącą zużytych urządzeń elektrycznych i elektronicznych oraz jej wdrożeniem do prawodawstwa krajowego, elektronarzędzia, które już nie nadają się do użytku, podlegają oddzielnej zbiórce oraz utylizacji w sposób przyjazny dla środowiska.

## GWARANCJA

Produkty VONROC są wytwarzane zgodnie z najwyższymi standardami jakości i producent udziela gwarancji na wady materiałowe i wady wykonania na okres wymagany prawem, licząc od dnia zakupu. Jeśli wystąpi usterka produktu w tym okresie spowodowana wadą materiałową i/lub wadą wykonania, proszę bezpośrednio skontaktować się ze sprzedawcą VONROC.

Następujące okoliczności powodują unieważnienie gwarancji:

- Przeprowadzono naprawy lub modyfikacje narzędzia w serwisie innym lub autoryzowany lub podjęto ich próbę;
- Normalne zużycie nie jest objęte gwarancją;
- Narzędzie było używane niezgodnie z przeznaczeniem, źle z nim się obchodzono lub było nieprawidłowo konserwowane;
- Użyto części zamiennych innych niż oryginalne.

Niniejsza gwarancja to wyłączna gwarancja producenta i nie obowiązują żadne inne wyrażone ani dorozumiane gwarancje. Nie obowiązują żadne inne wyrażone ani dorozumiane gwarancje o zakresie przekraczającym niniejszą gwarancję, co obejmuje dorozumiane gwarancje przydatności do sprzedaży i przydatności do określonego celu. W żadnym przypadku firma VONROC nie ponosi odpowiedzialności za straty przypadkowe lub wynikowe. Zadośćuczynienie sprzedawcy jest ograniczone do naprawy lub wymiany niezgodnych urządzeń lub części.

**Produkt i instrukcja obsługi podlegają zmianom. Dane techniczne podlegają zmianom bez uprzedzenia.**

## 1. INSTRUCȚIUNI DE SIGURANȚĂ

Citiți avertizările de siguranță, avertizările de siguranță suplimentare și instrucțiunile. Nerespectarea avertizărilor de siguranță poate cauza producerea de electrocutări, incendii și/sau răni grave. Păstrați avertizările de siguranță și instrucțiunile pentru referințe viitoare.

În manualul de utilizare sau pe produs se utilizează următoarele simboluri:



*Citiți manualul de utilizare.*



*Indică riscul de rănire personală, pierderea vieții sau deteriorarea încălzitorului în cazul în care nu se respectă instrucțiunile din acest manual.*



*Pericol de electrocutare.*



*Atenție, suprafața fierbinte!*



*Nu acoperiți dispozitivul.*



*Simbol de împământare. Acest aparat este clasificat ca clasă de protecție I și trebuie să fie conectat la o priză de împământare.*



*Produsul este în conformitate cu standardele de siguranță aplicabile din directivele europene.*

### REGULI GENERALE DE PROTECȚIAMUNCII ACESTE INSTRUCȚIUNI TREBUIE CITITE CU ATENȚIE ȘI PĂSTRATE PENTRU CONSULTARE VIITOARE.

**Producătorul nu poate fi tras la răspundere pentru daunele cauzate de nerespectarea acestor instrucțiuni.**

### INSTRUCȚIUNI DE SIGURANȚĂ IMPORTANTE

**CITIȚI CU ATENȚIE** - Încălzitorul cu infraroșu este conceput pentru utilizarea în siguranță. Cu toate acestea, instalarea, întreținerea și funcționarea încălzitorului pot fi periculoase. Respectarea următoarelor proceduri va reduce riscul de incendiu, electrocutare, vătămarea persoanelor și va reduce timpul de instalare la minimum. Păstrați aceste instrucțiuni pentru utilizări viitoare.

- Citiți toate instrucțiunile înainte de a utiliza acest încălzitor.
- Scoateți unitatea din ambalaj și verificați dacă este în stare bună înainte de utilizare.
- Nu lăsați copiii să se joace cu componentele ambalajului (cum ar fi pungii de plastic).
- Verificați tensiunea din casă pentru a vă asigura că aceasta corespunde specificațiilor nominale ale încălzitorului.
- Verificați cu atenție cablul de alimentare și fișa înainte de utilizare, pentru a vă asigura că acestea nu sunt deteriorate.
- Înainte de a deconecta cablul de alimentare, asigurați-vă că opriți alimentarea; atunci când alimentați unitatea, asigurați-vă că mâinile dvs. sunt uscate pentru a preveni electrocutarea.
- Utilizați radiatorul terasei numai în aer liber sau într-un spațiu deschis. Țineți toate obiectele inflamabile precum prelate, umbrele de soare, crengi, mobilier, perdele, hârtie etc. la distanță de dispozitiv (cel puțin 1 metru, de asemenea, dacă sunt dacă sunt obiecte mobile!). Distanța până la pereți trebuie să fie de cel puțin 1 metru. Capul de încălzire trebuie să fie situat la cel puțin 180 cm deasupra solului. Dacă așezați dispozitivul sub un acoperiș, trebuie să existe un spațiu de cel puțin 50 cm între capul radiatorului de terasă și plafon (neinflamabil). În cazul unui acoperiș inflamabil (lemn, plastic, prelată etc.) această distanță trebuie să fie de cel puțin 1 metru. Asigurați întotdeauna o ventilație bună!
- Nu amplasați dispozitivul chiar deasupra sau sub o priză de perete (nu în imediata apropiere).
- Încălzitorul de terasă este destinat numai uzului casnic. Prin urmare, nu ar trebui să îl utilizați pe șantierele de construcții, în sere, hambare sau tarabe etc., chiar dacă acestea sunt în mare parte deschise. De obicei, există prea multe materiale inflamabile în aceste situații.
- Nu utilizați acest încălzitor de terasă ca sursă de încălzire într-o saună sau ca încălzitor permanent pentru un anumit spațiu sau o cameră.
- Nu utilizați acest încălzitor de terasă într-un adăpost de animale sau în orice altă locație în care există animale.
- Nu îl utilizați lângă sau în imediata apropiere a unei băi sau a unei piscine sau a oricărei surse de lichid. În ciuda faptului că dispozitivul este rezistent la stropi, trebuie să aveți grijă cu apa. Asigurați-vă că acesta nu poate cădea în apă

și nu-l expuneți la jeturi puternice de apă. Nu atingeți cu mâinile umede și nu așezați dispozitivul în zona din jurul unei băi, toalete, piscine sau alte surse de alimentare cu apă, deoarece acest lucru este periculos.

- Pentru a vă proteja împotriva șocurilor electrice, nu introduceți cablul sau fișa în apă sau orice alt lichid.
- Nu introduceți și nu permiteți obiectelor străine să pătrundă în vreun orificiu de ventilație sau de evacuare, deoarece acest lucru poate provoca electrocutare, incendiu sau deteriorarea încălzitorului.
- Asigurați-vă că există suficientă lumină. Comutatoarele de pe dispozitiv trebuie să fie vizibile în mod corespunzător de la o distanță de 1 metru.
- Deconectați întotdeauna încălzitorul de la sursa de alimentare atunci când nu îl folosiți. Nu lăsați niciodată dispozitivul nesupravegheat atunci când îl folosiți, ci opriți-l și deconectați-l. Nu utilizați dispozitivul cu împreună cu un dispozitiv de programare, un temporizator sau orice alt dispozitiv care pornește automat dispozitivul.
- Nu utilizați încălzitorul cu un regulator de tensiune extern, cum ar fi un variator de tensiune, regulator de turație etc. Acest lucru generează un pericol electric.
- Asigurați-vă că cablul nu atâră peste margini (ascuțite), nu realizează curbări puternice, nu atinge suprafețele fierbinți. Nu înfășurați cablul în jurul dispozitivului.
- Nu permiteți cablului să atâră, întrucât poate fi tras cu ușurință de către copii.
- Nu introduceți degetele sau obiecte străine în grilaj în timp ce încălzitorul este în funcțiune.
- Nu lăsați aparatul nesupravegheat când îl folosiți.
- Acest încălzitor nu este destinat utilizării în băi, spălătorii și locații similare aflate în interior, nu amplasați niciodată încălzitorul în locații unde poate cădea într-o cadă sau într-un alt recipient cu apă.
- Nu poate fi acceptată răspunderea pentru orice daune cauzate de nerespectarea acestor instrucțiuni sau de orice altă utilizare necorespunzătoare sau manipulare greșită.
- Acest aparat poate fi utilizat de copii cu vârsta de peste 8 ani și de persoane cu capacități fizice, senzoriale sau mentale reduse sau lipsă de experiență și cunoștințe dacă li s-a acordat

supraveghere sau instrucțiuni privind utilizarea aparatului într-un mod sigur și înțeleg pericolele implicat. Copiii nu trebuie să se joace cu aparatul. Curățarea și întreținerea utilizatorului nu trebuie făcute de copii fără supraveghere.

- Dacă, din orice motiv, dispozitivul se fisurează sau se crapă sau dacă identificați imperfecțiuni sau defecțiuni ale carcasei din aluminiu sau ale oricărei componente, întrerupeți imediat funcționarea dispozitivului și scoateți fișa din priză.
- În cazul în care cablul de alimentare este deteriorat în orice fel, acesta trebuie înlocuit de către producător, de către agentul de service sau de către persoane calificate în mod similar, pentru a evita pericolele.
- Pentru a preveni supraîncălzirea acestui aparat, păstrați intrările și orificiile de aer curate și fără obiecte care pot provoca blocarea. Verificați ocazional toate orificiile de admisie și orificiile de evacuare pentru a vă asigura că acestea nu sunt murdare și nu prezintă acumulări de praf. NU ACOPERIȚI DISPOZITIVUL. Eticheta de avertizare privind interdicția de a acoperi dispozitivul trebuie, de asemenea, plasată într-un loc vizibil după instalare: nu ar trebui, așadar, să fie pe spate.
- Componentele încălzitorului pot depăși 200°C; contactul cu tubul de încălzire, reflectorul sau componentele metalice din apropierea tubului de încălzire poate provoca ARSURI severe. Pentru a evita arsurile, nu atingeți suprafețele fierbinți cu părți ale pielii.
- Nu țineți NICIODATĂ mâinile sub elementele de încălzire. Lăsați întotdeauna elementul de încălzire să se răcească cu cel puțin 10 minute înainte de a atinge tubul de încălzire sau componentele adiacente.
- Nu depozitați lichide inflamabile sau materiale precum vopsea, benzină, rezervoare de combustibil etc. în imediata apropiere a dispozitivului. Nu utilizați dispozitivul într-un mediu inflamabil, cum ar fi rezervoarele de combustibil din apropiere, tuburile de gaz sau recipientele de pulverizare. Pericol de explozie și incendiu!
- Acest produs conține materiale reciclabile. Nu eliminați acest produs ca deșeu menajer nesortat. Vă rugăm să contactați autoritățile locale pentru cel mai apropiat punct de colectare.

**Siguranta electrica**

*Verificați întotdeauna dacă tensiunea sursei de alimentare corespunde tensiunii de pe placa de identificare.*

- Dacă cablul de alimentare al acestui instrument electric este deteriorat, acesta trebuie înlocuit cu un cablu de alimentare special pregătit, disponibil prin intermediul organizației de service.
- Utilizați numai cabluri prelungitoare care sunt adecvate pentru puterea nominală a mașinii cu un minim grosime de 1,5 mm<sup>2</sup>. Dacă utilizați o bobină de cablu prelungitor, derulați întotdeauna complet cablul.

**2. INFORMAȚII CU PRIVIRE LA MAȘINĂ****Utilizarea prevăzută**

Acest produs este conceput ca un încălzitor de terasă pentru medii domestice. Încălzitorul este destinat grădinilor private sau altor zone exterioare de acasă. Încălzitorul nu poate fi utilizat pentru încălzirea unui spațiu interior, utilizat ca încălzitor de spațiu exterior pentru uz casnic sau pentru uscarea textilelor sau a altor materiale. Acest încălzitor nu este echipat cu un dispozitiv pentru controlul temperaturii camerei, așa că nu utilizați acest încălzitor în spații când sunt ocupate de persoane care nu sunt capabile să părăsească singuri camera, cu excepția cazului în care este prevăzută o supraveghere constantă. Dispozitivul trebuie utilizat numai în scopul prescris. Orice altă utilizare este considerată a fi un caz de abuz.

**SPECIFICAȚII TEHNICE**

Nr. model	PH509AC
Tensiune	220-240 V ~
Frecvență	50-60 Hz
Putere	2000 W
Cablu de alimentare Setări	1: 1000 W 2: 2000 W
Tip element de încălzire	Lampă din fibră de carbon
Timp de încălzire	3 secunde
Lungime de undă	3,0-1000 microni
Eficiență radiantă 90%	90%
Distanță de încălzire	2-3 m

Suprafață de încălzire	7-9 m <sup>2</sup>
Temperatură culoare lampă	1600 K
Protecție la supraîncălzire	Da
Dispozitiv electronic pentru controlul pornirii	Da
Clasă de protecție împotriva pătrunderii obiectelor solide și lichidelor	IP44
Clasa de protecție	Clasa I
Masă	2,36 kg

**DESCRIERE**

Numerele din text se referă la diagramele de la paginile 2.

1. Lanț de suspendare
2. Cablu de alimentare
3. Cârlig de suspendare
4. Cârlig carabină
5. Comutator pornire/oprire
6. Încălzitor
7. Grilaj de protecție
8. Telecomandă
9. Buton telecomandă pornit/oprit
10. Receptor pentru telecomandă cu ecran
11. Buton jos
12. Buton sus
13. Buton temporizator
14. Buton nivel de căldură

**3. ASAMBLAREA**

*Acest încălzitor trebuie instalat de o persoană competentă, adică de un electrician calificat.*



*Deconectați întotdeauna încălzitorul de la sursa de alimentare electrică și lăsați-l să se răcească înainte de instalare.*

**Instalarea încălzitorului (Fig. A, C)**

*Montați întotdeauna dispozitivul cu accesoriile furnizate.*

Înainte de a începe instalarea, respectați următoarele indicații:

- Montați dispozitivul pe o suprafață fermă și plană a plafonului; instalarea încălzitorului tre-

buie să se facă pe un suport rigid puternic (cum ar fi grinzi de lemn solide sau șine metalice etc.).

- Dispozitivul trebuie agățat astfel încât să existe un spațiu de 50 cm între încălzitor și plafon, pânza cortului etc. Trebuie să existe, de asemenea, cel puțin 1,80 m între pământ și partea inferioară a dispozitivului. Consultați Fig. C. Dispozitivul nu poate fi niciodată agățat de un cârlig în perete, deoarece s-ar putea balansa!
- Cârligul folosit pentru a agăța încălzitorul trebuie să poată susține o greutate de 3 sau 4 ori mai mare decât cea a încălzitorului în sine.
- Asigurați-vă că cablurile de alimentare sunt corect instalate, nu intră în contact cu reflectorul încălzitorului și nu sunt desfășurate în zona încălzită.
- Nu instalați încălzitorul pe o suprafață inflamabilă.
- În cazul în care încălzitorul trebuie utilizat în exterior, este foarte recomandată o priză rezistentă la intemperii.
- Înainte de găurire, asigurați-vă că nu există fire sau conducte de apă în zona în care trebuie instalat încălzitorul.

Pentru a instala încălzitorul, urmați acești pași:

- Dispozitivul este livrat cu un lanț de suspendare (1) și două cârlige pentru carabină (4). Atașați un cârlig de carabină (4) pe ambele capete ale lanțului (1).
- Montați o parte a lanțului pe cârligul de suspendare (3) folosind cârligul pentru carabină (4), așa cum este indicat în fig. A.
- Folosiți un punct de atașare din care dispozitivul să poată atârna liber și suficient de robust pentru a susține încălzitorul fără probleme. Fixați-l ferm astfel încât să nu poată să cadă, să se desfacă, să alunece sau să se miște.
- Atașați cârligul de carabină neutilizat (4) al lanțului încălzitorului la cârligul din plafon sau la inelul de suspendare de pe plafon.
- Respectați distanțele minime așa cum este indicat în figura C.
- Conectați încălzitorul de terasă la o priză cu împământare. Verificați în prealabil dacă tensiunea nominală corespunde dispozitivului.
- Verificați dacă carabinele se închid corespunzător și dacă dispozitivul atârână fără să se miște. Acesta nu trebuie să alunece, să cadă, să se desfacă! Acționați încălzitorul numai atunci când este în poziție verticală.

#### Asamblarea telecomenzii (Fig. B)

- Întoarceți telecomanda (8) și scoateți capacul bateriei.
- Introduceți 2 baterii tip AAA/alcaline în telecomandă (8) respectând instrucțiunile și polaritatea bateriilor.
- Schimbați bateriile în același mod descris mai sus.

## 4. OPERAREA

#### Pornirea/Oprirea (Fig. A, B)

Încălzitorul poate fi pornit și oprit folosind numai telecomanda (8). Înainte de utilizare, comutatorul de alimentare (5) de pe încălzitor trebuie mai întâi pornit. Fără telecomandă, încălzitorul nu poate fi acționat. Dacă nu ați primit telecomandă, vă rugăm să contactați serviciul clienți Vonroc.

- Mai întâi rotiți comutatorul (5) de pe încălzitor în poziția „ON” (Pornire).
- Apăsăți butonul (9) de pe telecomandă (8) pentru a porni încălzitorul.
- Pentru a opri încălzitorul, apăsați din nou butonul (9) de pe telecomandă (8).
- Apăsăți comutatorul (5) de pe încălzitor în poziția „OFF” (Oprire) pentru a îl opri.

Notă: Asigurați-vă că îndreptați telecomanda (8) în direcția receptorului telecomenzii (10). Toate încălzitoarele VONROC și telecomenzile lor utilizează aceeași frecvență, deci este posibil să controlați mai multe încălzitoare cu o singură telecomandă.

#### Reglarea nivelului de putere (Fig. A, B)

Puterea încălzitorului poate fi reglată în două nivele:

- Nivel 1 - 1000W (50% din putere) „L1” pe ecran (10)
- Nivel 2 - 2000W (100% din putere) „L2” pe ecran (10)

Nivelul dorit poate fi selectat cu ajutorul telecomenzii. Apăsăți butonul pentru nivelul de căldură (14) și apoi utilizați butonul de ridicare (12) pentru a crește nivelul și butonul de coborâre (11) pentru a reduce nivelul.

### Utilizarea funcției de temporizare (Fig. A, B)

Încălzitorul este echipat cu o funcție de temporizare, care-i permite să rămână pornit pentru o perioadă de timp selectată. Intervalul selectabil este cuprins între 0 și 24 de ore și va fi afișat pe ecran (10).

De exemplu, atunci când selectați 3 ore pe temporizator, încălzitorul va rămâne pornit timp de 3 ore și apoi se va opri automat.

Pentru a utiliza temporizatorul, apăsați butonul nivelului de căldură (13) și apoi setați temporizatorul cu ajutorul butonului de sus (12) și de jos (11).

## 5. ÎNTREȚINERE



*Asigurați-vă întotdeauna că aparatul nu este conectat la rețeaua electrică atunci când efectuați lucrări de întreținere a mecanismului.*



**PRECAUȚIE:** Pericol de electrocutare. *NU deschideți și nu încercați să reparați dvs. încălzitorul.*

Curățați regulat carcasa cu o cârpă moale, de preferat după fiecare utilizare. Curățați fantele de aerisire de praf și murdărie. Îndepărtați murdăria persistentă cu o cârpă moale înmuiată în clăbuci de săpun. Nu folosiți solvenți precum benzină, alcool, amoniac, etc. Astfel de substanțe chimice vor deteriora componentele sintetice.

- NU folosiți alcool, benzină, pulberi abrazive, soluții pentru lustruit mobilă sau perii aspre pentru a curăța încălzitorul. Acest lucru poate cauza defectarea sau deteriorarea suprafeței încălzitorului.
- NU scufundați încălzitorul în apă.
- Așteptați până când încălzitorul este complet uscat înainte de utilizare.

### ATENȚIE:

- Deconectați întotdeauna încălzitorul de la sursa de alimentare electrică și lăsați-l să se răcească înainte de a încerca să îl curățați.
- Dacă încălzitorul a acumulat praf sau murdărie în interiorul unității sau în jurul elementului de încălzire, acesta trebuie curățat de către un agent de service calificat. Nu folosiți încălzitorul în această stare.
- Singura întreținere necesară este curățarea suprafețelor exterioare ale încălzitorului.

- Nu atingeți elementul de încălzire cu degetele goale, deoarece murdăria de pe mâinile dvs. ar putea afecta durata de viață a lămpii. Dacă este atins accidental, îndepărtați urmele degetelor cu o cârpă moale umezită cu alcool metilic sau alcool.
- Nu încercați să reparați sau să reglați funcțiile electrice sau mecanice ale acestui încălzitor.
- Încălzitorul nu conține componente care pot fi reparate de către utilizator. În cazul în care produsul prezintă daune sau defecțiuni, acesta trebuie returnat producătorului sau agentului de service.
- Cablurile de alimentare deteriorate trebuie înlocuite de producător, agentul de service sau de o persoană calificată în mod similar, pentru a evita pericolele.

### Depozitarea

Pentru a preveni acumularea de praf și murdărie, păstrați încălzitorul într-un loc răcoros și uscat atunci când nu îl folosiți. Utilizați cutia de ambalare pentru depozitare.

### Depanarea

Dacă încălzitorul nu funcționează, vă rugăm să verificați următoarele aspecte înainte de a solicita reparații sau service:

- Verificați dacă cablul de alimentare este conectat la o priză electrică; dacă nu este conectat, conectați-l
- Verificați dacă există curent electric la siguranța principală
- Asigurați-vă că întrerupătoarele de alimentare sunt pornite; în caz contrar, alegeți o setare.

## MEDIU



*Aparatele electrice sau electronice deteriorate și/sau defecte trebuie colectate în locurile de reciclare corespunzătoare.*

### Numai pentru țările din CE

Nu aruncați echipamentele acționate electric împreună cu gunoiul menajer. Conform Indicației europene 2012/19/EU pentru echipamente electrice și electronice uzate și a implementării sale la nivel național, echipamentele acționate electric scoase din uz trebuie colectate separat și evacuate într-o manieră ecologică.



## GARANȚIE

Produsele VONROC sunt realizate la cele mai înalte standarde de calitate și sunt garantate în privința materialelor și a manoperei pentru întreaga perioadă de utilizare în garanție, începând cu data achiziției. În cazul în care produsul se defectează în timpul perioadei de utilizare, contactați direct VONROC.

Următoarele circumstanțe sunt excluse de la această garanție:

- Reparațiile sau modificările care realizate sau care s-au încercat a fi efectuate de centre de service neautorizate.
- Uzura în condiții normale.
- Unealta care a fost abuzată, utilizată într-un mod neglijent sau întreținută în mod inadecvat.
- Folosirea unor piese de schimb neoriginale.

Aceasta acoperă garanția companiei, explicită sau implicită. Nu există alte garanții explicite sau implicite care să se extindă dincolo de cele indicate aici, incluzând garanțiile, vandabilitatea sau adecvarea pentru un anumit scop. În nicio situație, VONROC nu este responsabil pentru daunele incidentale sau consecvențiale. Reparațiile efectuate de reprezentant trebuie să fie limitate la reparațiile sau la înlocuirea unităților sau a pieselor neconforme.

**Produsul și manualul de utilizare pot suferi modificări. Specificațiile se pot modifica fără notificare prealabilă.**

## 1. GÜVENLİK TALİMATLARI

Ekteki güvenlik uyarılarını, ilave güvenlik uyarılarını ve talimatları okuyun. Güvenlik uyarılarını ve talimatları izlememek elektrik çarpması, yangın ve/veya ciddi yaralanma ile sonuçlanabilir. Güvenlik uyarılarını ve talimatları gelecekte referans olması için saklayın.

Aşağıdaki semboller kullanıcı kılavuzunda veya ürün üzerinde kullanılmaktadır:



*Kullanım kılavuzunu okuyun.*



*Bu kılavuzdaki talimatlara uyulmaması fiziksel yaralanma, can kaybı veya ısıtıcının hasar görme riskini beraberinde getirir.*



*Elektrik çarpması riski.*



*Uyarı: sıcak yüzey!*



*Cihazın üzerini örtmeyin.*



*Topraklama simgesi. Bu cihaz, koruma sınıfı I olarak sınıflandırılır ve topraklanmış bir elektrik prizine bağlanmalıdır.*



*Ürün, Avrupa yönergelerindeki geçerli güvenlik standartlarına uygundur.*

### GENEL GÜVENLİK UYARILARI

**BU TALİMATLAR DİKKATLİCE OKUNMALI VE GELECEKTE BAŞVURMAK ÜZERE SAKLANMALIDIR. Bu talimatlara uyulmamasından kaynaklanan herhangi bir zararla ilgili üretici sorumlu tutulamaz.**

### ÖNEMLİ GÜVENLİK TALİMATLARI

DİKKATLİCE OKUYUN-Kızılötesi ısıtıcı, güvenli çalışacak şekilde tasarlanmıştır. Yine de ısıtıcının montajı, bakımı ve çalıştırılması tehlikeli olabilir. Aşağıdaki prosedürlere uyulması yangın, elektrik çarpması, fiziksel yaralanma riskini azaltacak ve kurulum süresini minimumda tutacaktır. Bu talimatları ileride kullanmak üzere saklayın.

- Bu ısıtıcıyı kullanmadan önce tüm talimatları okuyun.
- Üniteyi ambalajından çıkarın ve kullanmadan önce iyi durumda olup olmadığını kontrol edin.
- Çocukların ambalaj parçalarıyla (plastik poşetler gibi) oynamasına izin vermeyin.

- Isıtıcının nominal özelliklerine uygun olduğundan emin olmak için ev voltajını kontrol edin.
- Hasar görmediklerinden emin olmak için kullanmadan önce elektrik kablosunu ve fişi dikkatlice kontrol edin.
- Fişini prizden çıkarmadan önce gücü kesinlikle kapatın ve üniteye enerji verirken elektrik çarpmasını önlemek için ellerinizin kuru olduğundan emin olun.
- Teras radyatörünü sadece açık havada veya geniş bir açık alanda kullanın. Tente, şemsiye, ağaç dalı, mobilya, perde, kağıt vb. gibi tüm yanıcı nesneleri cihazdan uzak (sabit olmayan nesnelere bile olsa en az 1 metre mesafede!) tutun. Duvarlara olan mesafe en az 1 metre olmalıdır. Baş kısmı, yerden en az 180 cm yukarıda olmalıdır. Cihazı bir çatı altına yerleştirirseniz, teras radyatör kapağı ile (yanmaz) tavan arasında en az 50 cm boşluk bırakılmalıdır. Yanıcı malzemeden oluşan (ahşap, plastik, branda vb.) bir çatıda bu mesafe en az 1 metre olmalıdır. Daima iyi havalandırma sağlayın!
- Cihazı bir duvar prizinin hemen üstüne veya altına koymayın (yakınına değil).
- Teras ısıtıcısı yalnızca evde kullanım için tasarlanmıştır. Bu nedenle, büyük ölçüde açık alan olsalar bile şantiyelerde, seralarda, ahırlarda veya ağıllarda vb. kullanmamalısınız. Bu tür yerlerde genellikle çok fazla yanıcı malzeme bulunur.
- Bu teras ısıtıcısını sauna ısıtması veya sürekli bir alan veya oda ısıtıcısı olarak kullanmayın.
- Bu teras ısıtıcısını bir köpek kulübesi veya hayvanların bulunduğu başka bir yerde kullanmayın.
- Banyo veya yüzme havuzunun veya herhangi bir sıvı kaynağının yakınında veya etrafında kullanmayın. Cihaz su sıçramasına karşı dayanıklı olsa da, daima suya dikkat etmeniz gerekir. Suya düşmeyeceğinden emin olun ve güçlü su fışkıyelerine maruz bırakmayın. Tehlikeli olduğundan ıslak ellerle dokunmayın ve cihazı banyo, tuvalet, yüzme havuzu veya diğer su kaynaklarının hemen yakınına yerleştirmeyin.
- Elektrik çarpmasına karşı korunmak için, kabloyu veya fişi suya veya başka bir sıvıya batırmayın.
- Herhangi bir havalandırma veya egzoz açıklığına yabancı nesnelere sokmayın veya girmesine izin vermeyin çünkü bu, elektrik çarpmasına, yangına veya ısıtıcıda hasara neden olabilir.
- Yeterli ışık bulunduğundan emin olun. Cihaz üzerindeki düğmeler 1 metre mesafeden düzgün bir şekilde görülebilmelidir.
- Kullanılmadığında ısıtıcının fişini daima çekin. Cihazı kullanırken asla başıboş bırakmayın, kapatıp fişini çekin. Cihazı bir programlayıcı, zamanlayıcı veya cihazı otomatik olarak açan başka bir cihazla kullanmayın.
- Isıtıcıyı dimmer, hız kontrol cihazı vb. gibi harici bir voltaj regülatörü ile kullanmayın. Bu, elektrikli bir tehlike oluşturur.
- Kablonun kenarlardan (keskin) sarkmamasına, aşırı kıvrılmamasına ve sıcak yüzeylere değmesine dikkat edin. Kabloyu cihazın etrafına sarmayın.
- Kablonun çocuklar tarafından kolayca çekilebilecek şekilde tezgahın sarkmasına izin vermeyin.
- Çalıştırma sırasında ızgaraya parmaklarınızı veya yabancı nesne koymayın.
- Aleti kullanım sırasında başıboş ve gözetimsiz bırakmayın.
- Bu ısıtıcı banyo, çamaşırhane ve benzeri kapalı mekanlarda kullanılmak üzere tasarlanmamıştır, ısıtıcıyı asla küvet veya başka bir su kabına düşebileceği yerlere koymayın.
- Bu talimatlara uyulmamasından veya başka herhangi bir uygunsuz veya yanlış kullanımdan kaynaklanan herhangi bir hasar için sorumluluk kabul edilmez.
- Bu cihaz, cihazın güvenli bir şekilde kullanımıyla ilgili gözetim mevcutsa veya kullanımla ilgili talimatları ve ilgili tehlikeleri anlıyorsa, 8 yaş ve üzeri çocukların yanı sıra fiziksel, duyuşsal veya zihinsel yetenekleri sınırlı veya yeterli deneyim ve bilgiden yoksun kişiler tarafından kullanılabilir. Çocukların cihazla oynamasına izin vermeyin. Eğer gözetim altında değilse temizlik ve kullanıcı bakımı çocuklar tarafından yapılamaz.
- Herhangi bir nedenle cihazda çatlak veya kırılma meydana gelirse veya alüminyum gövde veya herhangi bir parçada herhangi bir kusur veya kesinti tespit ederseniz, derhal cihazın çalışmasını durdurun ve fişi prizden çıkarın.
- Güç kablosu herhangi bir şekilde hasar gördüyse, tehlikeden kaçınmak için üretici, servis sorumlusu veya bu gibi kalifiye kişiler tarafından değiştirilmelidir.
- Bu cihazın aşırı ısınmasını önlemek için hava girişlerini ve çıkışlarını temiz tutun ve tıkanmaya neden olabilecek her şeyi temizleyin. Herhangi

bir kir veya toz birikintisi bulunmadığından emin olmak için tüm giriş ve çıkışları sıkça kontrol edin. ÜZERİNİ ÖRTMEYİN. Ayrıca, cihazın üzerinin örtülmemesi için uyarı etiketi kurulumdan sonra açıkça görülebilen bir yere yerleştirilmelidir: bu nedenle ilgili etiket cihazın arkasında olmamalıdır.

- Isıtıcı parçalarının sıcaklığı 200°C'yi aşabilir, ısıtma borusu, reflektör veya ısıtma borusunun yakınındaki metal parçalarla temas şiddetli YANIKLARA neden olabilir. Yanıkları önlemek için çıplak cildin sıcak yüzeye temas etmesine izin vermeyin.
- Ellerinizi ASLA ısıtma elemanlarının altına koymayın. DAİMA ısıtıcı borusuna veya bitişik parçalara dokunmadan önce ısıtma elemanının en az 10 dakika soğumasını bekleyin.
- Cihazın yakın çevresinde yanıcı sıvı veya boya, benzin, gaz tankı vb. malzemeleri saklamayın. Cihazı, yakında yanıcı gaz tankları, gaz tüpleri veya sprey kutuları gibi nesnelere bulunan yanıcı ortamlarda kullanmayın. Patlama ve yangın tehlikesi!
- Bu ürün geri dönüştürülebilir malzemeler içerir. Bu ürünü ayrıştırılmamış evsel atıklarla birlikte atmayın. Lütfen en yakın toplama noktası için yerel yetkililerinizle iletişime geçin.

### Elektrik güvenliği



*Daima güç kaynağı geriliminin anma değerleri plakasındaki gerilime karşılık gelip gelmediğini kontrol edin.*

- Güç kaynağı kablosu veya şebeke fişi hasar görmüşse makineyi kullanmayın.
- Sadece makinenin güç değerleri açısından uygun, minimum 1,5 mm<sup>2</sup> kalınlığa sahip uzatma kabloları kullanın. Bir uzatma kablosu makarası kullanıyorsanız kabloyu daima tamamen açın.

## 2. MAKİNE BİLGİSİ

### Kullanım amacı

Bu ürün, ev ortamları için teras ısıtıcı ayağı olarak tasarlanmıştır. Isıtıcı, evlerdeki özel bahçeler veya diğer açık alanlar için tasarlanmıştır. Isıtıcı, bir kapalı alanı ısıtmak, ev tipi olmayan açık alan ısıtıcısı olarak kullanmak veya tekstil ürünleri veya diğer malzemeleri kurutmak için kullanılamaz. Bu ısıtıcıda oda sıcaklığını kontrol eden bir düzene bulunmadığı için, sürekli gözetim sağlanmadığı sürece, bu ısıtıcıyı odayı kendi

başlarına terk edemeyecek durumda olan kişilerin bulunduğu alanlarda kullanmayın. Bu cihaz sadece tasarlandığı amaç için kullanılmalıdır. Başka her türlü kullanımın kötüye kullanım olduğu kabul edilir.

### TEKNİK SPESİFİKASYONLAR

Model No.	PH509AC
Voltaaj	220-240 V~
Frekans	50-60 Hz
Güç	2000 W
Güç ayarları	1: 1000 W 2: 2000 W
Isıtma elemanı türü	Karbon fiber lamba
Isınma süresi	3 saniye
Dalga uzunluğu	3,0-1000 mikron
Erkesel verim	90%
Isıtma mesafesi	2-3m
Isıtma alanı	7-9m <sup>2</sup>
Renk sıcaklığı	1600 K
Aşırı ısınmaya karşı koruma	Evet
Elektronik yumuşak başlatma	Evet
Giriş koruma sınıfı	IP44
Koruma sınıfı	Sınıf I
Ağırlık	2,36kg

### AÇIKLAMA

Metindeki numaralar sayfa 2'deki çizimleri işaret etmektedir.

1. Askı zinciri
2. Elektrik kablosu
3. Askı kancası
4. Karabina kanca
5. Açma/kapama düğmesi
6. Isıtıcı
7. Korumacı ızgara
8. Uzaktan kumanda
9. Uzaktan kumanda açma/kapama düğmesi
10. Ekranlı uzaktan kumanda için alıcı
11. Aşağı düğmesi
12. Yukarı düğmesi
13. Zaman ayarı düğmesi
14. Sıcaklık seviyesi düğmesi

### 3. MONTAJ



*Bu ısıtıcı, örneğin kalifiye bir elektrikçi gibi yetkili kişiler tarafından kurulmalıdır.*



*Isıtıcıyı her zaman elektrik kaynağından ayırın ve kurulumdan önce soğumasını bekleyin.*

#### Isıtıcının montajı (Şekil A, C)



*Cihazı her zaman birlikte verilen aksesuarlarla monte edin.*

Kurulumu başlamadan önce aşağıdakileri dikkate alın:

- Cihazı sağlam, düz bir tavan yüzeyine yerleştirin; ısıtıcının montajı güçlü ve sağlam bir destek (güçlü ahşap kirişler veya metal raylar vb.) üzerine yapılmalıdır.
- Cihaz, ısıtıcı ile herhangi bir tavan, çadır bezi vb. arasında 50 cm boşluk kalacak şekilde asılmalıdır. Zemin ile cihazın alt tarafı arasında da en az 1,80 m mesafe olmalıdır. Şekil C'ye bakın. Cihaz eğimli olarak sarkabileceğinden asla duvardaki bir kancaya asılamaz!
- Isıtıcıyı asmak için kullanılan Kanca, ısıtıcının kendi ağırlığının 3 veya 4 katı ağırlığa dayanabilir olmalıdır.
- Güç kaynağı kablosunun iyi monte edildiğinden ve ısıtıcının reflektörüyle temas etmediğinden veya ısınan alana girmediğinden emin olun.
- Isıtıcıyı yanıcı bir yüzey yakınına kurmayın.
- Isıtıcı açık alanda kullanılacaksa, hava koşullarına dayanıklı bir priz şiddetle tavsiye edilir.
- Delmeden önce, ısıtıcının kurulacağı alanda elektrik kablosu veya su borusu olmadığından emin olun.

Isıtıcıyı monte etmek için şu adımları izleyin:

- Cihaz ile birlikte, bir asma zinciri (1) ve iki karabina kanca (4) verilmektedir. Zincirin (1) her iki ucuna bir karabina kancası (4) takın.
- Şekil A'da gösterildiği gibi, karabina kancasını (4) kullanarak zincirin bir tarafını asma kancasına (3) monte edin.
- Cihazın serbestçe sarkabileceği ve ısıtıcıyı sorunsuz bir şekilde taşıyabileceği sağlam bir bağlantı noktası sağlayın. Düşmeyecek, kaymayacak veya başka bir şekilde hareket edemeyecek şekilde sıkıca sabitleyin.
- Isıtıcı zincirindeki kullanılmayan karabina kancasını (4) ürünle birlikte gelen tavan kancasına

veya tavan asma halkasına takın.

- Şekil C'de gösterilen minimum mesafeleri hesaba katın.
- Teras ısıtıcıyı topraklanmış bir elektrik prizine takın. Voltaj değerinin cihazla eşleşip eşleşmediğini önceden kontrol edin.
- Karabina kancaların düzgün şekilde kapandığını ve cihazın hareketsiz bir şekilde takıldığını kontrol edin. Cihaz, kayacak veya düşecek şekilde olmamalıdır! Isıtıcıyı yalnızca dik konumdayken çalıştırın.

#### Uzaktan kumandanın montajı (Şekil B)

- Uzaktan kumandanın (8) arkasını çevirin ve pil kapağını çıkarın.
- Pillerin kutuplarına ve talimatlara uygun olarak uzaktan kumandaya (8) 2 AAA/Alkaliin tipi pil takın.
- Pilleri yukarıda gösterildiği şekilde değiştirin.

### 4. ÇALIŞTIRMA

#### Cihazı açma/kapatma (Şekil A, B)

Isıtıcı, sadece uzaktan kumanda (8) kullanılarak açılıp kapatılabilir. Kullanmadan önce, ısıtıcı üzerindeki güç düğmesi (5) açılmalıdır. Isıtıcı, bir uzaktan kumanda olmadan çalıştırılmaz. Uzaktan kumandanız yoksa, lütfen Vonroc müşteri hizmetleri ile iletişime geçin.

- Önce ısıtıcı üzerindeki düğmeyi (5) 'AÇIK' konuma getirin.
- Isıtıcıyı çalıştırmak için uzaktan kumanda (8) üzerindeki düğmeye (9) basın.
- Isıtıcıyı kapatmak için uzaktan kumanda (8) üzerindeki düğmeye (9) tekrar basın.
- Kapatmak için ısıtıcı üzerindeki düğmeyi (5) 'KAPALI' konuma getirin.

Not: Uzaktan kumandayı (8) uzaktan kumanda alıcısı (10) yönüne doğru tuttuğunuzdan emin olun. Tüm VONROC marka ısıtıcılar ve bunların uzaktan kumandaları aynı frekans kullanır, bu nedenle birden fazla ısıtıcıyı tek bir uzaktan kumanda ile kontrol etmek mümkündür.

#### Güç seviyesinin ayarlanması (Şekil A, B)

Isıtıcı gücü iki seviyede ayarlanabilir:

- Seviye 1 - 1000W (%50 güç) ekranda 'L1' (10)
- Seviye 2 - 2000W (%100 güç) ekranda 'L2' (10)

Uzaktan kumanda kullanılarak istenen seviye seçilebilir. Sıcaklık seviyesi düğmesine (14) basın ve ardından seviyeyi artırmak için yukarı düğmesini (12) ve seviyeyi azaltmak için aşağı (11) düğmesini kullanın.

### Zaman ayarlama fonksiyonunun kullanılması (Şekil A, B)

Isıtıcı, seçilen bir süre boyunca ısıtıcının açık kalmasını sağlayan bir zaman ayarlama fonksiyonuna sahiptir. Seçilebilir aralık 0 ile 24 saat arasındadır ve ekranda (10) gösterilecektir.

Örneğin zaman ayarlama fonksiyonunda 3 saat seçildiğinde ısıtıcı 3 saat açık kalacak ve ardından otomatik olarak kapanacaktır.

Zaman ayarlama fonksiyonunu kullanmak için sıcaklık seviyesi düğmesine (13) basın ve ardından yukarı (12) ve aşağı (11) düğmelerini kullanarak zaman ayarlama fonksiyonunu ayarlayın.

## 5. BAKIM



*Mekanizmada bakım yaparken makine fişinin prize bağlı olduğundan daima emin olun.*



***DİKKAT: Elektrik Çarpması Riski.** Isıtıcının içini kendi başınıza açmaya veya tamir etmeye ÇALIŞMAYIN.*

Makine kaplamalarını yumuşak bir bezle, tercihen her kullanımdan sonra düzenli olarak temizleyin. Havalandırma deliklerinin toz ve kirden arınmış olduğundan emin olun. Çok inatçı kirleri sabunlu suyla hafif ıslatılmış, yumuşak bir bezle çıkarın. Benzin, alkol, amonyak vs. gibi çözücü maddeleri kullanmayın. Bunlar gibi kimyasallar sentetik bileşenlere zarar verecektir.

- Isıtıcıyı temizlemek için alkol, benzin, aşındırıcı tozlar, mobilya cilası veya sert fırçalar **KULLANMAYIN**. Bu, ısıtıcının yüzeyinde hasara veya bozulmaya neden olabilir.
- Isıtıcıyı asla suya **DALDIRMAYIN**
- Kullanmadan önce ısıtıcının tamamen kurumasını bekleyin.

### DİKKAT:

- Temizlik öncesinde daima ısıtıcıyı güç kaynağından ayırın ve soğumasını bekleyin.
- Isıtıcıda, ünitenin içinde veya ısıtma elemanının çevresinde toz veya kir birikmişse, ürün yetkili

bir servis merkezi tarafından temizlenmelidir. Isıtıcıyı bu durumda çalıştırmayın.

- Gereken tek bakım, ısıtıcının dış yüzeylerinin temizlenmesidir.
- Ellerinizdeki kirler lambanın ömrünü etkileyebileceğinden, ısıtma elemanına çıplak elle dokunmayın. Yanlışlıkla dokunulursa, parmak izlerini mentollü ispirto veya alkolle hafif ıslatılmış yumuşak bir bezle silin.
- Bu ısıtıcıdaki herhangi bir elektriksel veya mekanik bileşeni kendiniz onarmaya veya ayarlamaya çalışmayın.
- Isıtıcı, kullanıcı tarafından bakımı yapabilir herhangi bir parça içermez. Ürün hasar görürse veya arızalanırsa, üreticiye veya yetkili servise gönderilmelidir.
- Tehlikeyi önlemek için, hasarlı elektrik kabloları, üretici, yetkili servis veya benzer niteliklere sahip kişiler tarafından değiştirilmelidir.

### Saklama

Toz ve kir oluşumunu önlemek için, kullanılmadığında ısıtıcıyı serin ve kuru bir yerde saklayın. Muhafaza etmek için ambalaj kartonu kullanın.

### Sorun Giderme

Isıtıcı çalışmıyorsa, onarım veya servis bakımı öncesinde lütfen aşağıdakileri kontrol edin:

- Elektrik kablosunun prize takılı olup olmadığını kontrol edin.
- Ana sigortaya giden elektriğin çalışıp çalışmadığını kontrol edin.
- Güç düğmelerinin açık olduğundan emin olun, eğer değilse, bir ayar seçin.

## ÇEVRE



*Arızalı ve/veya atılmış elektrikli veya elektronik ekipmanların uygun geri dönüşüm konumlarında toplanması gerekir.*

### Yalnızca AT ülkeleri için

Elektrikli aletleri evsel atık olarak atmayın. Atık Elektrikli ve Elektronik Donanım için Avrupa İlkeleri 2012/19/EU'ya ve bunun yerel hukuk çerçevesinde uygulamasına göre, artık kullanılamaz olan elektrikli aletler ayrı olarak toplanmalı ve çevre dostu bir yolla imha edilmelidir.

## GARANTİ

VONROC ürünleri yüksek kalite standartları doğrultusunda geliştirilmiştir ve ilk satın alımdan itibaren kanunen belirlenen süre boyunca materyal ve işçilik açısından kusursuz olacağı garanti edilmektedir. Bu süre zarfında, kusurlu materyal ve/veya işçilikten dolayı üründe herhangi bir arıza meydana gelmesi durumunda, doğrudan VONROC iletişim kurun.

Takip eden durumlar bu garanti kapsamı dışındadır:

- Yetkisiz servis merkezleri tarafından yapılan veya yapılmaya teşebbüs edilen onarım ve/veya değişiklikler.
- Normal aşınma ve eskime.
- Cihazın kötü ve yanlış kullanılması veya cihaza yanlış bakım yapılması.
- Orijinal olmayan yedek parçaların kullanılması

Bu, şirket tarafından açık ya da zımni verilmiş tek garantiyi oluşturur. Belirli bir amaç için ticarete elverişlilik ve uygunluğun zımni garantileri dahil dış görünüşünün ötesine uzanan açık veya zımni başka hiçbir garanti yoktur. VONROC herhangi bir arıza veya dolaylı zarardan hiçbir halükarda sorumlu olmayacaktır. Bayilerin getireceği çözümler uygunsuz birimlerin veya parçaların onarımı veya değiştirilmesiyle sınırlı olacaktır.

**Ürün ve kullanıcı kılavuzu değişikliğe tabidir.  
Spesifikasyonlar başka bir uyarı olmaksızın değiştirilebilir.**



## DECLARATION OF CONFORMITY PH509AC - PATIO HEATER

- (EN) We declare under our sole responsibility that this product is in conformity with directive 2011/65/EU of the European parliament and of the council of 8 June 2011 on the restriction of these of certain hazardous substances in electrical and electronic equipment is in conformity and accordance with the following standards and regulations:
- (DE) Der Hersteller erklärt eigenverantwortlich, dass dieses Produkt der Direktive 2011/65/EU des Europäischen Parlaments und des Rats vom 8. Juni 2011 über die Einschränkung der Anwendung von bestimmten gefährlichen Stoffen in elektrischen und elektronischen Geräten entspricht. den folgenden Standards und Vorschriften entspricht:
- (NL) Wij verklaren onder onze volledige verantwoordelijkheid dat dit product voldoet aan de conform Richtlijn 2011/65/EU van het Europees Parlement en de Raad van 8 juni 2011 betreffende beperking van het gebruik van bepaalde gevaarlijke stoffen in elektrische en elektronische apparatuur en in overeenstemming is met de volgende standaarden en reguleringen:
- (FR) Nous déclarons sous notre seule responsabilité que ce produit est conforme aux standards et directives suivants: est conforme à la Directive 2011/65/EU du Parlement Européen et du Conseil du 8 juin 2011 concernant la limitation d'usage de certaines substances dangereuses dans l'équipement électrique et électronique.
- (ES) Declaramos bajo nuestra exclusiva responsabilidad que este producto cumple con las siguientes normas y estándares de funcionamiento: se encuentra conforme con la Directiva 2011/65/UE del Parlamento Europeo y del Consejo de 8 de junio de 2011 sobre la restricción del uso de determinadas sustancias peligrosas en los equipos eléctricos y electrónicos.
- (IT) Dichiariamo, sotto la nostra responsabilità, che questo prodotto è conforme alle normative e ai regolamenti seguenti: è conforme alla Direttiva 2011/65/UE del Parlamento Europeo e del Consiglio dell'8 giugno 2011 sulla limitazione dell'uso di determinate sostanze pericolose nelle apparecchiature elettriche ed elettroniche.
- (SV) Vi garanterar på eget ansvar att denna produkt uppfyller och följer följande standarder och bestämmelser: uppfyller direktiv 2011/65/EU från Europeiska parlamentet och EG-rådet från den 8 juni 2011 om begränsningen av användning av farliga substanser i elektrisk och elektronisk utrustning.
- (DA) Vi erklærer under eget ansvar, at dette produkt er i overensstemmelse med følgende standarder og bestemmelser: er i overensstemmelse med direktiv 2011/65/EU fra Europa-Parlamentet og Rådet af 8. juni 2011 om begrænsning af anvendelsen af visse farlige stoffer i elektrisk og elektronisk udstyr.
- (PL) Deklarujemy na własną odpowiedzialność, że ten produkt spełnia wymogi zawarte w następujących normach i przepisach: jest zgodny z Dyrektywą 2011/65/UE Parlamentu Europejskiego i Rady z dnia 8 czerwca 2011 r. w sprawie ograniczenia stosowania niektórych niebezpiecznych substancji w sprzęcie elektrycznym i elektronicznym.
- (RO) Declarăm prin aceasta cu răspunderea deplină că produsul acesta este în conformitate cu următoarele standarde sau directive: este în conformitate cu Directiva 2011/65/UE a Parlamentului European și a Consiliului din 8 iunie 2011 cu privire la interzicerea utilizării anumitor substanțe periculoase la echipamentele electrice și electronice.
- (TR) Tek sorumlusu biz olmak üzere bu urunun Avrupa Parlamentosunun 2011/65/EU ve 8 Haziran 2011 tarihli konseyin elektrikli ve elektronik ekipmanlarda belirlenmiş tehlikeli malzeme kullanımının kısıtlanması hakkındaki talimatları ile birlikte aşağıda belirtilen standart ve yonergelere uygun ve uyumlu olduğunu beyan ederiz.

**EMC 2014/30/EU: EN 55014-1:2017, EN 55014-2:2015, EN IEC 61000-3-2:2019, EN 61000-3-3:2013+A1:2019**

**LVD 2014/35/EU: EN 60335-2-30:2009+A11:2012,  
EN 60335-1:2012+A11:2014+A13:2017+ A1:2019+A14:2019+A2:2019,**

**ROHS 2011/65/EU&(EU)2015/863, WEEE 2012/19/EU**

Zwolle, 01-11-2021

H.G.F Rosberg  
CEO

**VONROC • Lingenstraat 6 • 8028 PM Zwolle • The Netherlands**



**VONROC®**  
BUILD YOUR FUTURE

©2021 VONROC  
[WWW.VONROC.COM](http://WWW.VONROC.COM)

2111-24