



VONROC®

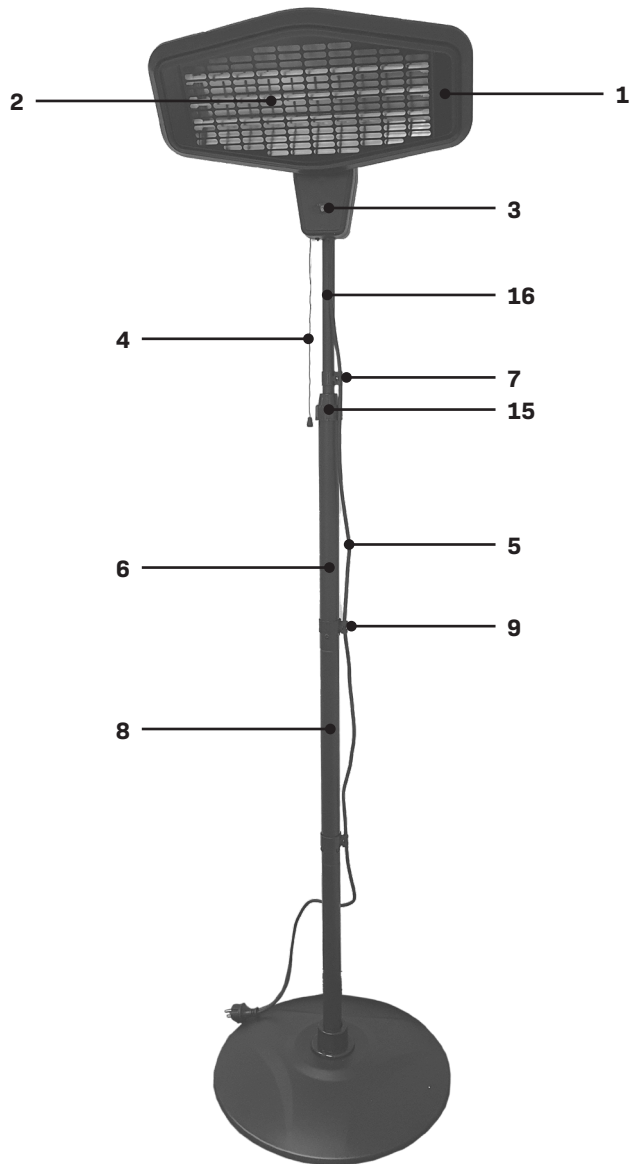
BUILD YOUR FUTURE

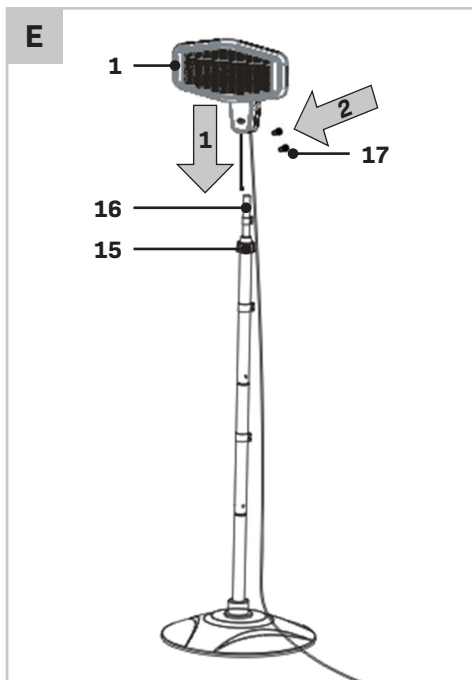
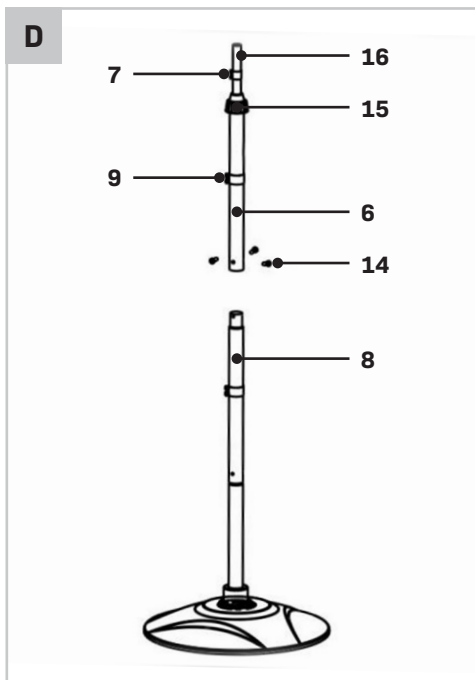
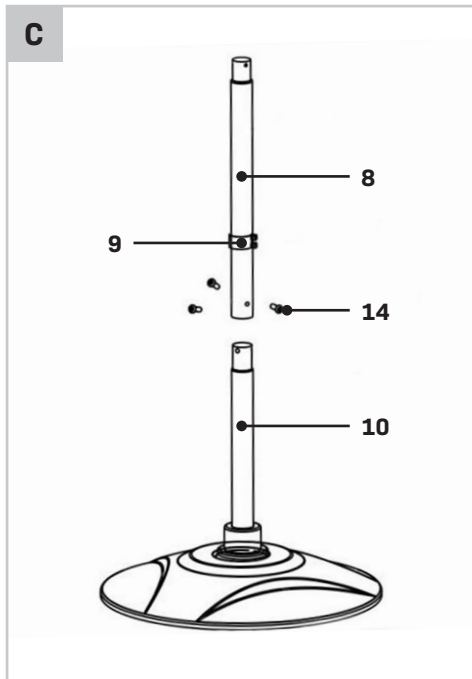
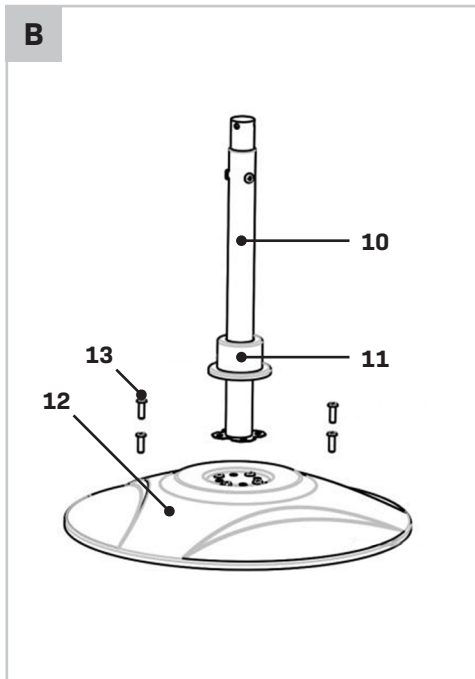
PATIO HEATER AMIATA ON STAND PH511AC

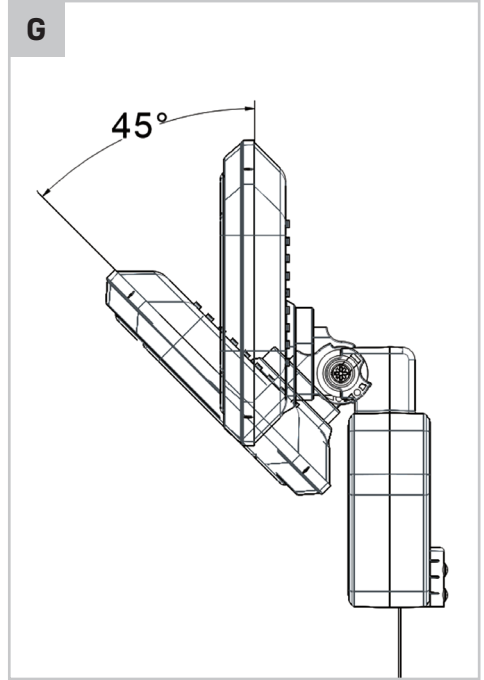


EN	Original Instructions	05
DE	Übersetzung Der Originalbetriebsanleitung	10
NL	Vertaling van de oorspronkelijke gebruiksaanwijzing	16
FR	Traduction de la notice originale	21
ES	Traducción del manual original	27
IT	Traduzione delle istruzioni originali	33
SV	Översättning av bruksanvisning i original	38
DA	Oversættelse af den originale brugsanvisning	43
PL	Tłumaczenie instrukcji oryginalnej	48
RO	Traducere a instrucțiunilor originale	54
TR	Orijinal talimatların çevirisi	59

A







1. SAFETY INSTRUCTIONS

Read the enclosed safety warnings, the additional safety warnings and the instructions. Failure to follow the safety warnings and the instructions may result in electric shock, fire and/or serious injury. Save the safety warnings and the instructions for future reference.

The following symbols are used in the user manual or on the product:



Read the user manual.



Denotes risk of personal injury, loss of life or damage to the heater in case of nonobservance of the instructions in this manual.



Risk of electric shock.



Caution: hot surface!



Do not cover the device.



Earthing symbol. This appliance is classified as protection class I and must be connected to an earthed mains socket.



The product is in accordance with the applicable safety standards in the European directives.

GENERAL SAFETY WARNINGS

THESE INSTRUCTIONS SHOULD BE READ CAREFULLY AND RETAINED FOR FUTURE REFERENCE.

The manufacturer cannot be held liable for any damages caused by failure to observe these instructions.

This appliance can be used by children aged from 8 years and above and persons with reduced physical, sensory or mental capabilities or lack of experience and knowledge if they have been given supervision or instruction concerning use of the appliance in a safe way and understand the hazards involved. Children shall not play with the appliance. Cleaning and user maintenance shall not be made by children without supervision.

Children of less than 3 years should be kept away unless continuously supervised. Children aged

from 3 years and less than 8 years shall only switch on/off the appliance provided that it has been placed or installed in its intended normal operating position and they have been given supervision or instruction concerning use of the appliance in a safe way and understand the hazards involved. Children aged from 3 years and less than 8 years shall not plug in, regulate and clean the appliance or perform user maintenance.

CAUTION — Some parts of this product can become very hot and cause burns. Particular attention has to be given where children and vulnerable people are present.

IMPORTANT SAFETY INSTRUCTIONS

READ CAREFULLY—The infrared heater is designed for safe operation. Nevertheless, installation, maintenance and operation of the heater can be dangerous. Observing the following procedures will reduce the risk of fire, electric shock, injury to persons and keep installation time to a minimum. Save these instructions for future use.

- Read all instruction before using this heater.
- Remove the unit from its packaging and check to make sure it is in good condition before using.
- Do not let children play with parts of package (such as plastic bags).
- Check the household voltage to ensure it matches the heater's rated specification.
- Check the power cord and plug carefully before used, to make sure that they are not damaged.
- Before unplugging the power cord, be sure to turn off the power, when energizing the unit, be sure your hands are dry to prevent from electric shock.
- Only use the terrace radiator outdoors or in a large open space. Keep all flammable objects such as tarpaulins, parasols, branches, furniture, curtains, paper etc. out of the way of the device (at least 1 meter also if they are if they are non-stationary objects!). The distance to the walls must be at least 1 meter. The head must be located at least 180 cm above the ground. If you place the device under a roof, there must be a space of at least 50 cm between the cap of the terrace radiator and the (non-flammable) ceiling. With a flammable roof (wood, plastic, tarpaulin etc.) this distance must be at least 1 meter. Always ensure good ventilation!
- Do not locate the device just above or below a

- wall socket (not in the immediate vicinity).
- The terrace heater is only intended for household use. You should not therefore use it on construction sites, in glasshouses, barns or stalls etc., even if they are largely open. There is usually too much flammable material there.
 - Do not use this terrace heater as sauna heating or as a permanent space or room heater.
 - Do not use this terrace heater in a kennel or any other location where animals are present.
 - Do not use near or in the immediate vicinity of a bath or swimming pool or any source of liquid. Despite the fact that the device is splash proof, you need to be careful with water. Ensure that it cannot fall into the water and do not expose it to powerful jets of water. Do not touch it with wet hands and do not place the device in the area immediately around a bath, washroom, swimming pool or other water supply, as this is dangerous.
 - To protect against electric shock, do not immerse cord or plug in water or any other liquid.
 - Do not insert or allow foreign objects to enter any ventilation or exhaust opening, as this may cause an electric shock, fire or damage to the heater.
 - Ensure there is sufficient light. The switches on the device must be properly visible from a distance of 1 meter.
 - Always unplug the heater when not in use. Never leave the device unsupervised when in use, but switch it off and unplug. Do not use the device with a programmer, timer or any other device that switches the device on automatically.
 - Do not use the heater with an external voltage regulator such as dimmer, speed controller etc. This produces an electrical hazard.
 - Make sure that the cord does not hang over (sharp) edges, does not make strong curves, does not touch hot surfaces. Do not wrap the cord around the device.
 - Do not allow cord to overhang the counter top where it can be easily pulled by children.
 - Do not put fingers or foreign objects into the grill while in operation.
 - Do not leave the appliance unattended when in use.
 - This heater is not intended for use in bathrooms, laundry and similar indoor locations, never locate the heater where it may fall into a bathtub or other water container.
 - No liability can be accepted for any damage caused by non-compliance with these instructions or any other improper use or mishandling.
 - This appliance can be used by children aged from 8 years and above and persons with reduced physical, sensory or mental capabilities or lack of experience and knowledge if they have been given supervision or instruction concerning use of the appliance in a safe way and understand the hazards involved. Children shall not play with the appliance. Cleaning and user maintenance shall not be made by children without supervision.
 - If the device for any reason produces cracks or breaks, or if you establish any imperfection or interruption to the aluminium casing or any other part, immediately stop the operation of the device and take the plug from the socket.
 - If the power cord is damaged in any way, it must be replaced by the manufacturer or its service agent or a similarly qualified person in order to avoid a hazard.
 - To prevent overheating of this appliance, keep the air inlets and outlets clean and free of anything that may cause blockage. Check all inlets and outlets from time to time to ensure it is clear of any dirt or dust accumulation. **DO NOT COVER.** The warning label not to cover the device must also be placed in a clearly visible location after installation: it should not therefore be on the back.
 - Parts of the heater may exceed 200°C, contact with the heating tube, reflector, or metal parts near the heating tube, may cause severe BURNS. To avoid burns, do not let bare skin touch the hot surface.
 - NEVER place hands under the heating elements. ALWAYS allow heating element to cool at least 10 minutes before touching the heating tube or adjacent parts.
 - Do not store any burnable liquids or materials like paint, petrol, gas tanks etc. in the immediate surroundings of the device. Don't use the device in flammable ambience, such as nearby combustible gas tanks, gas tubes or spray cans. Danger of explosion and fire!
 - This product contains recyclable materials. Do not dispose this product as unsorted community waste. Please contact your local authorities for the nearest collection point.

Electrical safety



Always check that the voltage of the power supply corresponds to the voltage on the rating plate.

- If the supply cord of this power tool is damaged, it must be replaced by a specially prepared supply cord available through the service organization.
- Only use extension cables that are suitable for the power rating of the machine with a minimum thickness of 1.5 mm². If you use an extension cable reel, always fully unroll the cable.

2. MACHINE INFORMATION

Intended use

This product is designed as a patio heater for domestic environments. The heater is intended for private gardens or other outdoor areas at home. The heater may not be used to heat an indoor space, usage as a non-household outdoor space heater or for the drying of textiles or other materials. This heater is not equipped with a device to control the room temperature so do not use this heater in spaces when they are occupied by persons not capable of leaving the room on their own, unless constant supervision is provided. The device is to be used only for its prescribed purpose. Any other use is deemed to be a case of misuse.

TECHNICAL SPECIFICATIONS

Model No.	PH511AC
Voltage	220-240 V ~
Frequency	50-60 Hz
Power	2200W
Power settings	1: 730W 2: 1460W 3: 2200W
Heating element type	Quartz
Heating time	20 seconds
Wave length	1.4-3.0
Radiant efficiency	60%
Heating distance	3-4m
Heating area	15m ²
Electronic soft start	Yes
Ingress protection class	IP34
Protection class	Class I
Weight	1.50 kg

DESCRIPTION

The numbers in the text refer to the diagrams on page 2-4.

1. Heater
2. Protective grill
3. Power level indicator
4. Power cable
5. Pull cord (on/off switch)
6. Upper tube
7. Small cable holder
8. Middle tube
9. Large cable holder
10. Lower tube
11. Cover
12. Baseplate
13. Long bolt
14. Short bolt
15. Clamping ring
16. Extendable tube
17. Screws

3. ASSEMBLY



This heater should be installed by a competent person, i.e. a qualified electrician.



Always disconnected the heater from the electrical supply and allow it to cool before installation.

Assembling the heater (Fig. B-F)



Always mount the device with the supplied accessories.

Before starting to assemble the device, take the following into consideration:

- Place the device on a firm, level surface. The device may never be placed at an angle!
- The device must be placed so that there is 100 cm of free space between the heater and object or wall, measured from the front or side. There must be at least 1.80 m between the ground and the underside of the device. There must be at least 30cm clearance between the device and the ceiling.
- Do not install the heater on or near an inflammable surface.
- If the heater is to be used outside, a weather-proof outlet is highly recommended.
- Before drilling ensure that there are no wires or

water pipes in the area where the heater is to be installed.

1. Start by mounting the lower tube (10) onto the baseplate (12). Tighten the long bolts (13) as shown on figure B.
2. Slide the cover (11) onto the lower tube (10) as shown on figure B. This will hide the bolts (13) from plain sight.
3. Take a large cable holder (9) and put it on the middle tube (8) as shown in figure C.
4. Now put the middle tube (8) onto the lower tube (10). Ensure the holes in both tubes align. Now tighten with the short bolts (14) as shown in figure C.
5. Take a large cable holder (9) and put it on the upper tube (6) as shown in figure D.
6. Now put the upper tube (6) onto the middle tube (18). Ensure the holes in both tubes align. Now tighten with the short bolts (14) as shown in figure D.
7. Untighten the clamping ring (15) on the upper tube (6) by turning it anti-clockwise. Now, the extendable tube (16) can be extended upwards by pulling it.
8. When the desired height is reached, righten the clamping ring (15) on the upper tube (6) by turning it clockwise.
9. Take the small cable holder (7) and put it on the extendable tube (16) as shown in figure D.
10. Slide the hole on the underside of the heater (1) onto the extendable tube (16) as shown on figure E.
11. Ensure the two holes in the the heater (1) align with the holes in the extendable tube (16).

4. OPERATION

Switching on/off (Fig. A)

The heater can be turned on and off using the pull cord. Pull the cord of the pull switch (5) until the desired heating level appears on the heating level indicator (3):

- Level 0 = switched off
- Level 1 = 730W
- Level 2 = 1460W
- Level 3 = 2200W

To turn the heater off, pull the cord of the pull switch (5) to the 0 level position.

Tipover safety switch (Fig. A)

This heater is fitted with a tip-over safety switch. In the event that the heater falls over, the heater automatically shuts off. Please note that when the heater is returned to its upright position, it does not resume its operating immediately. First switch it off (read 'switching on/off'), remove the plug from the socket and check the heater for damage. In case of damage or malfunctioning do not use but offer for checking / repair. If there is no damage, you can simply switch the heater on again (read 'switching on/off').

5. MAINTENANCE



Always make sure that the machine is not connected to the mains electricity when you carry out any maintenance of the mechanism.



CAUTION: Risk of Electric Shock. DO NOT open or try to repair the heater yourself.

Clean the machine casings regularly with a soft cloth, preferably after each use. Make sure that the ventilation openings are free of dust and dirt. Remove very persistent dirt using a soft cloth moistened with soapsuds. Do not use any solvents such as gasoline, alcohol, ammonia, etc. Chemicals such as these will damage the synthetic components.

- DO NOT use alcohol, gasoline, abrasive powders, furniture polish or rough brushes to clean the heater. This may cause damage or deterioration to the surface of the heater.
- DO NOT immerse the heater in water.
- Wait until the heater is completely dry before use.

ATTENTION:

1. Always disconnect the heater from the electricity supply and allow it to cool before attempting to clean it.
2. If the heater has collected dust or dirt inside the unit or around the heating element, have to unit cleaned by a qualified service agent. Do not operate the heater in this condition.
3. The only maintenance required is cleaning of the external surfaces of the heater.
4. Do not touch the heating element with bare fingers, as residue from your hand could affect the life of the lamp. If it is accidentally touched, remove the finger marks with a soft cloth mois-

tened with mentholated spirit or alcohol.

5. Do not attempt to repair or adjust any electrical or mechanical functions on this heater.
6. The heater contains no user serviceable parts. Should the product suffer damage or breakdown, it must be returned to the manufacturer or its service agent.
7. Damaged supply cords to be replaced by the manufacturer, service agent or similarly qualified person in order to avoid hazard.

Storage

Store the heater in a cool, dry location when not in use to prevent dust and dirt build up. Use packaging carton to store.

Trouble Shooting

If the heater will not operate, please check the following before seeking repair or service:

- Check if the power cord is plugged into an electrical outlet, if not plug in.
- Check if electricity to the main fuse is working.
- Make certain the power switches are turned on. If not, choose a setting.

ENVIRONMENT



Faulty and/or discarded electrical or electronic apparatus have to be collected at the appropriate recycling locations.

Only for EC countries

Do not dispose of power tools into domestic waste. According to the European Guideline 2012/19/EU for Waste Electrical and Electronic Equipment and its implementation into national right, power tools that are no longer usable must be collected separately and disposed of in an environmentally friendly way.

WARRANTY

VONROC products are developed to the highest quality standards and are guaranteed free of defects in both materials and workmanship for the period lawfully stipulated starting from the date of original purchase. Should the product develop any failure during this period due to defective material and/or workmanship then contact your VONROC directly.

The following circumstances are excluded from this guarantee:

- Repairs and or alterations have been made or attempted to the machine by unauthorized service centers;
- Normal wear and tear;
- The tool has been abused, misused or im-properly maintained;
- Non-original spare parts have been used.

This constitutes the sole warranty made by company either expressed or implied. There are no other warranties expressed or implied which extend beyond the face hereof, herein, including the implied warranties of merchantability and fitness for a particular purpose. In no event shall VONROC be liable for any incidental or consequential damages. The dealers remedies shall be limited to repair or replacement of nonconforming units or parts.

The product and the user manual are subject to change. Specifications can be changed without further notice.

1. SICHERHEITSANWEISUNGEN

Lesen Sie die beiliegenden Sicherheitsanweisungen, die zusätzlichen Sicherheitsanweisungen sowie diese Bedienungsanleitung sorgfältig durch. Bei Nichtbeachten der Sicherheitsanweisungen und der Bedienungsanleitung kann es zu einem Stromschlag, einem Brand und/oder schweren Verletzungen kommen. Bewahren Sie die Sicherheitsanweisungen und die Bedienungsanleitung zur künftigen Bezugnahme sicher auf.

Folgende Symbole werden im Benutzerhandbuch oder auf dem Produkt verwendet:



Lesen Sie das Benutzerhandbuch.



Bedeutet, dass bei Nichtbeachtung der Anweisungen in dieser Anleitung Verletzungen, Tod oder Beschädigung des Heizgeräts die Folge sein können.



Gefahr eines Stromschlags.



Achtung, Heiße Oberfläche!



Das Gerät nicht abdecken.



Erdungssymbol. Dieses Gerät ist als Schutzklasse I eingestuft und muss an eine geerdete Netzsteckdose angeschlossen werden.



Das Produkt entspricht den geltenden Sicherheitsnormen der europäischen Richtlinien.

**ALLGEMEINE SICHERHEITSHINWEISE
DIESE ANWEISUNGEN MÜSSEN SORGFÄLTIG
GELESEN UND ZUM SPÄTEREN NACHSCHLAGEN
AUFBEWAHRT WERDEN, Der Hersteller kann nicht
für Schäden haftbar gemacht werden, die durch
Nichtbeachtung dieser Anweisungen entstehen.**

Dieses gerat kann von kindern ab 8 jahren und darüber sowie von personen mit verringerten physischen, sensorischen oder mentalen fähigkeiten oder mangel an erfahrung und wissen benutzt werden, wenn sie beaufsichtigt oder bezüglich des sicheren gebrauchs des gerates unterwiesen wurden und die daraus resultierenden gefahren verstehen. Kinder dürfen nicht mit dem gerat spielen. Reinigung und

benutzer-wartung dürfen nicht von kindern ohne beaufsichtigung durchgeführt werden.

Kinder unter 3 Jahren sollten von diesem Produkt ferngehalten werden, sofern sie nicht ständig beaufsichtigt werden. Kinder zwischen 3 und 8 Jahren dürfen das Gerät nur ein- bzw. ausschalten, wenn das Gerät in seiner vorgesehenen normalen Betriebsposition aufgestellt bzw. installiert wurde und die Kinder in der sicheren Verwendung des Geräts unterwiesen wurden und die entsprechenden Gefahren verstehen oder wenn sie dabei beaufsichtigt werden. Kinder zwischen 3 und 8 Jahren dürfen das Gerät nicht mit der Stromversorgung verbinden und keine Einstellungs-, Reinigungs- oder Wartungsarbeiten daran vornehmen.

VORSICHT – Einige Teile dieses Produkts können sehr heiß werden und Verbrennungen verursachen. Besondere Aufmerksamkeit ist geboten, wenn Kinder und schutzbedürftige Personen anwesend sind.

WICHTIGE SICHERHEITSANWEISUNGEN

SORGFÄLTIG LESEN – Dieses Infrarotheizgerät ist für einen sicheren Betrieb ausgelegt. Dennoch können Installation, Wartung und Betrieb des Heizgeräts gefährlich sein. Die Einhaltung der folgenden Verfahren verringert das Risiko von Feuer, Stromschlag und Verletzungen und reduziert die Installationsdauer auf ein Minimum. Bewahren Sie diese Anweisungen zur späteren Verwendung auf.

- Lesen Sie alle Anweisungen, bevor Sie das Heizgerät verwenden.
- Nehmen Sie das Gerät aus der Verpackung und prüfen Sie vor der Verwendung, ob es in gutem Zustand ist.
- Lassen Sie keine Kinder mit Teilen der Verpackung (wie z. B. Plastiktüten) spielen.
- Prüfen Sie die Haushaltsspannung, um sicherzustellen, dass sie mit der Nennspezifikation des Heizgeräts übereinstimmt.
- Überprüfen Sie das Netzkabel und den Netzstecker vor der Verwendung sorgfältig, um sicherzustellen, dass sie nicht beschädigt sind.
- Bevor Sie das Netzkabel aus der Steckdose ziehen, achten Sie darauf, das Gerät auszuschalten. Beim Einschalten ist darauf zu achten, dass Ihre Hände trocken sind, um einen Stromschlag zu vermeiden.
- Verwenden Sie den Terrassenheizstrahler nur im Freien oder in einem großen offenen Bereich. Halten Sie alle brennbaren Gegenstände wie

Planen, Sonnenschirme, Äste, Möbel, Vorhänge, Papier usw. von dem Gerät fern (mindestens 1 Meter, auch wenn es sich um bewegliche Gegenstände handelt!). Der Abstand zu den Wänden muss mindestens 1 Meter betragen. Der Kopf muss sich mindestens 180 cm über dem Boden befinden. Wenn das Gerät unter einem Dach aufgestellt wird, muss zwischen dem Deckel des Terrassenheizstrahlers und der (nicht brennbaren) Decke ein Abstand von mindestens 50 cm bestehen. Bei einem brennbaren Dach (aus Holz, Kunststoff, Plane usw.) muss dieser Abstand mindestens 1 Meter betragen. Sorgen Sie immer für eine gute Belüftung!

- Platzieren Sie das Gerät nicht direkt über oder unter einer Wandsteckdose (also nicht in unmittelbarer Nähe).
- Diese Terrassenheizung ist nur für den Privatgebrauch bestimmt. Sie sollten sie daher nicht auf Baustellen, in Gewächshäusern, Scheunen oder Ställen usw. verwenden, auch wenn diese weitgehend offen gestaltet sind. Dort ist normalerweise zu viel brennbares Material vorhanden.
- Verwenden Sie diese Terrassenheizung nicht als Saunaheizgerät oder als ständige Heizung für Bereiche oder Zimmer.
- Verwenden Sie diese Terrassenheizung nicht in einem Zwinger oder an einem anderen Ort, an dem sich Tiere befinden.
- Verwenden Sie das Gerät nicht in der Nähe oder in unmittelbarer Nähe einer Badewanne, eines Swimmingpools oder einer Flüssigkeitsquelle. Obwohl das Gerät spritzwassergeschützt ist, sollte der Kontakt mit Wasser vermieden werden. Stellen Sie sicher, dass das Gerät nicht ins Wasser fallen kann, und setzen Sie es keinen starken Wasserstrahlen aus. Berühren Sie das Gerät nicht mit nassen Händen und stellen Sie es nicht in der unmittelbaren Umgebung einer Badewanne, eines Waschrums, eines Swimmingpools oder einer anderen Stelle mit Wasserversorgung auf, da dies zu Gefahren führen kann.
- Zum Schutz vor Stromschlägen tauchen Sie Kabel oder Stecker keinesfalls in Wasser oder andere Flüssigkeiten ein.
- Stecken Sie keine Gegenstände in die Lüftungs- oder Abluftöffnungen und lassen Sie auch keine Gegenstände in diese Öffnungen eindringen, da dies zu einem Stromschlag, Brand oder einer Beschädigung des Heizgeräts führen kann.
- Sorgen Sie für ausreichende Beleuchtung. Die

Schalter am Gerät müssen aus einer Entfernung von 1 Meter gut sichtbar sein.

- Ziehen Sie immer den Netzstecker ab, wenn Sie das Gerät nicht benutzen. Lassen Sie das Gerät während des Betriebs nie unbeaufsichtigt, sondern schalten Sie es aus und ziehen Sie den Netzstecker ab. Verwenden Sie das Gerät nicht mit einem Programmiergerät, einer Zeitschaltuhr oder einer anderen Vorrichtung, die das Gerät automatisch einschaltet.
- Verwenden Sie das Heizgerät nicht mit einem externen Spannungsregler wie Dimmer, Drehzahlsteller usw. Dadurch entsteht eine elektrische Gefährdung.
- Achten Sie darauf, dass das Kabel nicht über (scharfe) Kanten hängt, nicht stark gebogen oder geknickt wird und keine heißen Oberflächen berühren kann. Wickeln Sie nicht das Kabel um das Gerät.
- Lassen Sie das Kabel nicht über eine Thekenplatte o.ä. hinausragen, wo Kindern leicht daran ziehen können.
- Stecken Sie während des Betriebs keine Finger oder Gegenstände in das Gitter.
- Lassen Sie das Gerät nicht unbeaufsichtigt, während es läuft.
- Dieses Heizgerät ist nicht für den Gebrauch in Badezimmern, Wäschereien und ähnlichen Innenräumen vorgesehen. Stellen Sie das Heizgerät niemals so auf, dass es in eine Badewanne oder einen anderen Wasserbehälter fallen kann.
- Es kann keine Haftung für Schäden übernommen werden, die durch Nichtbeachtung dieser Anweisungen oder durch unsachgemäße Verwendung oder falsche Handhabung entstehen.
- Dieses Gerät kann von Kindern ab 8 Jahren und Personen mit eingeschränkter körperlicher, sensorischer oder geistiger Leistungsfähigkeit oder mangelnder Erfahrung und mangelndem Wissen verwendet werden, wenn sie eine Aufsicht oder Anweisung zur sicheren Verwendung des Geräts erhalten haben und die Gefahren verstehen beteiligt. Kinder dürfen nicht mit dem Gerät spielen. Reinigung und Wartung durch den Benutzer dürfen nicht von Kindern ohne Aufsicht durchgeführt werden.
- Sollte das Gerät aus irgendeinem Grund Risse oder Brüche aufweisen, oder sollten Sie eine Unvollkommenheit oder Unterbrechung am Aluminiumgehäuse oder einem anderen Teil feststellen, stellen Sie den Betrieb des Geräts sofort ein und

ziehen Sie den Netzstecker aus der Steckdose.

- Wenn das Stromkabel auf irgendeine Weise beschädigt ist, muss es vom Hersteller, seinem Kundendienst oder einer ähnlich qualifizierten Person ausgetauscht werden, um eine Gefährdung zu vermeiden.
- Um eine Überhitzung dieses Geräts zu vermeiden, halten Sie die Lufteinlässe und -auslässe sauber und frei von allem, was eine Verstopfung verursachen könnte. Überprüfen Sie regelmäßig alle Ein- und Auslässe, um sicherzustellen, dass sie frei von Schmutz- oder Staubansammlungen sind. NICHT ABDECKEN. Der Warnaufkleber mit dem Hinweis, das Gerät nicht abzudecken, muss nach der Installation gut sichtbar sein. Er sollte sich daher nicht auf der Rückseite befinden.
- Teile des Heizgeräts können 200°C überschreiten. Der Kontakt mit dem Heizrohr, dem Reflektor oder Metallteilen in der Nähe des Heizrohrs kann daher schwere VERBENNUNGEN verursachen. Um Verbrennungen zu vermeiden, lassen Sie keine nackte Haut die heiße Oberfläche berühren.
- Halten Sie NIEMALS die Hände unter die Heizelemente. Lassen Sie das Heizelement IMMER mindestens 10 Minuten abkühlen, bevor Sie das Heizrohr oder benachbarte Teile berühren.
- Lagern Sie in der unmittelbaren Umgebung des Geräts keine brennbaren Flüssigkeiten oder Materialien wie Farbe, Benzin, Gastanks usw. Verwenden Sie das Gerät nicht in brennbarer Umgebung, wie z. B. in der Nähe von Tanks mit brennbarem Gas, Gasrohren oder Sprühdosen. Explosions- und Brandgefahr!
- Dieses Produkt enthält wiederverwertbare Materialien. Entsorgen Sie dieses Produkt nicht als unsortierten Restmüll. Die nächstgelegene Entsorgungsstelle erfahren Sie bei den örtlichen Behörden.

Elektrische Sicherheit



Achten Sie stets darauf, dass die Spannung der Stromversorgung mit der Spannung auf dem Typenschild übereinstimmt.

- Verwenden Sie die Maschine nicht, wenn das Netzkabel oder der Netzstecker beschädigt ist.
- Verwenden Sie nur Verlängerungskabel, die für die Leistungsaufnahme der Maschine geeignet sind und eine Mindestaderstärke von 1,5 mm² haben. Falls Sie eine Kabeltrommel verwenden, rollen Sie das Kabel immer vollständig ab.

2. ANGABEN ZUM WERKZEUG

Verwendungszweck

Dieses Produkt ist als Terrassenheizung für den Hausgebrauch konzipiert. Die Heizung ist für private Gärten oder andere Außenbereiche zu Hause vorgesehen. Die Heizung darf nicht zum Heizen eines Innenraums, als Nicht-Haushalts-Außenraumheizung oder zum Trocknen von Textilien oder anderen Materialien verwendet werden. Diese Heizung ist nicht mit einer Vorrichtung zur Steuerung der Raumtemperatur ausgestattet. Verwenden Sie diese Heizung daher nicht in Räumen, in denen sich Personen aufhalten, die den Raum nicht alleine verlassen können, es sei denn, dies wird ständig überwacht. Das Gerät darf nur für den vorgeschriebenen Zweck verwendet werden. Jede andere Verwendung gilt als Missbrauch.

TECHNISCHE DATEN

Modellnr.	PH511AC
Spannung	220-240 V ~
Frequenz	50-60 Hz
Leistung	2200 W
Leistungseinstellungen	1: 730W 2: 1460W 3: 2200W
Heizelementtyp	Quarz
Aufheizdauer	20 Sekunden
Wellenlänge	1,4-3,0
Strahlungsleistung	60%
Heizstrecke	3-4m
Heizbereich	15m ²
Elektronischer Sanftanlauf	Ja
Eindringsschutzklasse	IP34
Schutzklasse	Klasse I
Gewicht	1,50 kg

BESCHREIBUNG

Die Buchstaben und Ziffern im folgenden Text verweisen auf die Abbildungen auf Seite 2-4.

1. Heizgerät
2. Schutzgitter
3. Leistungsstufenanzeige
4. Stromkabel
5. Zugschnur (Ein/Aus-Schalter)

6. Oberes Rohr
7. Kleiner Kabelhalter
8. Mittleres Rohr
9. Großer Kabelhalter
10. Unteres Rohr
11. Abdeckung
12. Basisplatte
13. Lange Schraube
14. Kurze Schraube
15. Klemmring
16. Verlängerbares Rohr
17. Schrauben

3. MONTAGE



Dieses Heizgerät sollte von einer sachkundigen Person, d. h. von einem qualifizierten Elektriker, installiert werden.



Trennen Sie das Heizgerät vor der Installation immer vom Stromnetz und lassen Sie es abkühlen.

Montage des Heizgeräts (Abb. B-F)



Montieren Sie das Gerät nur mit dem mitgelieferten Zubehör.

Vor dem Beginn mit der Montage des Geräts sollten Sie Folgendes berücksichtigen:

- Stellen Sie das Gerät auf eine feste, ebene Fläche. Das Gerät darf niemals in einem schrägen Winkel aufgestellt werden!
- Das Gerät muss so aufgestellt werden, dass zwischen Heizgerät und anderen Gegenständen oder einer Wand 100 cm Abstand ist, jeweils gemessen von vorne oder von der Seite. Zwischen Boden und Unterseite des Geräts müssen mindestens 1,80 m Abstand sein. Zwischen Gerät und Decke müssen mindestens 30 cm Abstand sein.
- Bringen Sie das Heizgerät keinesfalls an oder in der Nähe einer brennbaren Oberfläche an.
- Wenn das Heizgerät im Freien verwendet werden soll, wird eine wetterfeste Steckdose dringend empfohlen.
- Vergewissern Sie sich vor dem Bohren, dass sich keine Kabel oder Wasserleitungen in dem Bereich befinden, in dem das Heizgerät angebracht werden soll.

1. Montieren Sie zuerst das untere Rohr (10) an der Basisplatte (12). Ziehen Sie die langen Schrauben (13) wie in Abbildung B gezeigt an.
2. Schieben Sie die Abdeckung (11) wie in Abbildung B gezeigt auf das untere Rohr (10). Dadurch sind die Schrauben (13) nicht mehr direkt sichtbar.
3. Nehmen Sie einen großen Kabelhalter (9) und setzen Sie ihn wie in Abbildung C gezeigt auf das mittlere Rohr (8).
4. Setzen Sie nun das mittlere Rohr (8) auf das untere Rohr (10). Achten Sie darauf, dass die Löcher in beiden Rohren aneinander ausgerichtet sind. Ziehen Sie es nun mit den kurzen Schrauben (14) wie in Abbildung C gezeigt fest.
5. Nehmen Sie einen großen Kabelhalter (9) und setzen Sie ihn wie in Abbildung D gezeigt auf das obere Rohr (6).
6. Setzen Sie nun das obere Rohr (6) auf das mittlere Rohr (18). Achten Sie darauf, dass die Löcher in beiden Rohren aneinander ausgerichtet sind. Ziehen Sie es nun mit den kurzen Schrauben (14) wie in Abbildung D gezeigt fest.
7. Lockern Sie den Klemmring (15) am oberen Rohr (6) durch Drehen gegen den Uhrzeigersinn. Jetzt kann das verlängerbare Rohr (16) durch Ziehen nach oben verlängert werden.
8. Wenn die gewünschte Länge erreicht ist, lockern Sie den Klemmring (15) am oberen Rohr (6) durch Drehen im Uhrzeigersinn.
9. Nehmen Sie den kleinen Kabelhalter (7) und setzen Sie ihn wie in Abbildung D gezeigt auf das verlängerbare Rohr (16).
10. Schieben Sie das Loch an der Unterseite des Heizgeräts (1) wie in Abbildung E gezeigt auf das verlängerbare Rohr (16).
11. Achten Sie darauf, dass die beiden Löcher im Heizgerät (1) an den Löchern im verlängerbaren Rohr (16) ausgerichtet sind.
12. Sichern Sie jetzt das Heizgerät (1), indem die Schrauben (17) in den Löchern des verlängerbaren Rohrs (16) und damit im Heizgerät festgezogen werden.
13. Sichern Sie das Stromkabel (4) mit Hilfe des kleinen Kabelhalters (7) und der großen Kabelhalter (9). Siehe dazu Abbildung F.
14. Kippen Sie das Gerät in den gewünschten Winkel. Das Gerät kann wie in Abbildung G gezeigt um 45° nach unten gekippt werden.

4. BETRIEB

Ein-/Ausschalten (Abb. A)

Das Heizgerät kann mit der Zugschnur ein- und ausgeschaltet werden. Ziehen Sie an der Schnur des Zugschalters (5), bis auf der Heizstufenanzeige (3) die gewünschte Heizstufe erscheint:

- Stufe 0 = ausgeschaltet
- Stufe 1 = 730W
- Stufe 2 = 1460W
- Stufe 3 = 2200W

Um das Heizgerät auszuschalten, ziehen Sie die Schnur des Zugschalters (5) in die Stellung für Stufe 0.

Kippschutzschalter (Abb. A)

Diese Heizung ist mit einem Kippschutzschalter ausgestattet. Sollte die Heizung umfallen, schaltet sie sich automatisch ab. Beachten Sie, dass die Heizung nicht sofort wieder in Betrieb genommen werden kann, wenn sie zurück in ihre aufrechte Position gestellt wurde. Schalten Sie sie zunächst aus (siehe Abschnitt „Ein-/Ausschalten“), ziehen Sie den Stecker aus der Steckdose und überprüfen Sie die Heizung auf Schäden. Bei einer Beschädigung oder Fehlfunktion nicht verwenden, sondern überprüfen bzw. reparieren lassen. Liegt kein Schaden vor, können Sie die Heizung einfach wieder einschalten (siehe Abschnitt „Ein-/Ausschalten“).

5. WARTUNG



Achten Sie immer darauf, dass die Maschine nicht an das Stromnetz angeschlossen ist, wenn Sie Wartungsarbeiten an dem Gerät durchführen.



VORSICHT: Stromschlagrisiko. Öffnen Sie das Heizgerät NICHT und versuchen Sie NICHT, es selbst zu reparieren

Die Maschinengehäuse regelmäßig mit einem weichen Tuch reinigen, vorzugsweise nach jedem Gebrauch. Sicherstellen, dass die Ventilatoröffnungen frei von Staub und Schmutz sind. Sehr hartnäckigen Schmutz mit einem mit Seifenlauge befeuchteten Tuch entfernen. Keine Lösungsmittel, wie Benzin, Alkohol, Ammoniak usw., da solche Chemikalien die synthetischen Komponenten beschädigen können.

- Verwenden Sie zum Reinigen des Heizgeräts KEINESFALLS Alkohol, Benzin, Scheuerpulver, Möbelpolitur oder raue Bürsten. Dies kann zu einer Beschädigung oder Verschlechterung der Oberfläche des Geräts führen.
- Das Heizgerät NICHT in Wasser eintauchen.
- Warten Sie vor der nächsten Verwendung, bis das Heizgerät vollständig trocken ist.

ACHTUNG:

- Trennen Sie das Heizgerät vor einem Reinigungsversuch immer von der Stromversorgung und lassen Sie es abkühlen.
- Wenn sich Staub oder Schmutz im Inneren des Geräts oder um das Heizelement herum angesammelt hat, muss das Gerät von einem qualifizierten Kundendienstmitarbeiter gereinigt werden. Betreiben Sie das Heizgerät in einem solchen Fall nicht weiter.
- Die einzige erforderliche Pflege ist die Reinigung der Außenflächen des Heizgeräts.
- Berühren Sie das Heizelement nicht mit bloßen Fingern, da Rückstände von der Hand die Lebensdauer der Lampe beeinträchtigen könnten. Wenn es versehentlich berührt wird, entfernen Sie die Fingerabdrücke mit einem weichen, mit mentholiertem Alkohol oder Alkohol befeuchteten Tuch.
- Versuchen Sie nicht, elektrische oder mechanische Funktionen dieses Heizgeräts zu reparieren oder einzustellen.
- Das Heizgerät enthält keine vom Benutzer zu wartenden Teile. Sollte das Produkt einen Schaden oder einen Defekt erleiden, muss es an den Hersteller oder dessen Kundendienstvertreter zurückgeschickt werden.
- Ein beschädigtes Netzkabel muss vom Hersteller, dem Kundendienst oder einer ähnlich qualifizierten Person ausgetauscht werden, um Gefährdungen zu vermeiden.

Aufbewahrung

Bewahren Sie das Heizgerät bei Nichtgebrauch an einem kühlen, trockenen Ort auf, um die Ansammlung von Staub und Schmutz zu vermeiden. Verwenden Sie zur Aufbewahrung den Verpackungskarton.

Fehlersuche

Wenn das Heizgerät nicht funktioniert, überprüfen Sie bitte Folgendes, bevor Sie eine Reparatur oder Wartung durchführen lassen:

- Prüfen Sie, ob das Netzkabel an eine Steckdose

- angeschlossen ist; falls nicht, stecken Sie es ein
- Prüfen Sie, ob die Stromzufuhr zur Hauptsicherung funktioniert
 - Stellen Sie sicher, dass die Netzschalter eingeschaltet sind; falls nicht, wählen Sie eine Einstellung.

haftbar für Neben- oder Folgeschäden. Die Rechtsmittel des Händlers beschränken sich auf Reparatur oder Ersatz fehlerhafter Einheiten oder Teile.

Am Produkt und am Benutzerhandbuch können Änderungen vorgenommen werden. Die technischen Daten können sich ohne Vorankündigung ändern.

UMWELTSCHUTZ



Schadhafte und/oder zu entsorgende elektrische oder elektronische Werkzeuge und Geräte müssen an den dafür vorgesehenen Recycling-Stellen abgegeben werden.

Nur für EG-Länder

Entsorgen Sie Elektrowerkzeuge nicht über den Hausmüll. Entsprechend der EU-Richtlinie 2012/19/EG über Elektro- und Elektronik-Altgeräte sowie der Umsetzung in nationales Recht müssen Elektrowerkzeuge, die nicht mehr im Gebrauch sind, getrennt gesammelt und umweltschonend entsorgt werden.

GARANTIE

VONROC-Produkte werden nach den höchsten Qualitätsstandards entwickelt und sind für den gesetzlich festgelegten Zeitraum, ausgehend von dem ursprünglichen Kaufdatum, garantiert frei von Fehlern in Material und Ausführung. Sollte das Produkt in diesem Zeitraum aufgrund von Material- und/oder Verarbeitungsmängeln Fehler aufweisen, wenden Sie sich bitte direkt an VONROC Kundendienst.

Folgende Umstände sind von der Garantie ausgeschlossen:

- Reparaturen und oder Änderungen an der Maschine, die durch nicht-autorisierte Servicestellen vorgenommen oder versucht wurden.
- Normale Abnutzung und Verschleiß.
- Das Werkzeug wurde übermäßig beansprucht, missbräuchlich verwendet oder falsch gewartet.
- Es wurden keine Original-Ersatzteile verwendet.

Dies stellt die einzige Gewährleistung des Unternehmens dar, sowohl ausdrücklich als auch implizit. Es gibt keine anderen ausdrücklichen oder stillschweigenden Garantien, die über das hier Genannte hinausgehen, einschließlich der stillschweigenden Garantien der Marktgängigkeit oder Eignung für einen bestimmten Zweck. In keinem Fall ist VONROC

1. VEILIGHEIDSVOORSCHRIFTEN

Lees de bijgesloten veiligheidswaarschuwingen, de aanvullende veiligheidswaarschuwingen en de instructies. Het niet opvolgen van de veiligheidswaarschuwingen kan elektrische schokken, brand en/of ernstig letsel tot gevolg hebben. Bewaar de veiligheidswaarschuwingen en instructies als naslagwerk voor later.

De volgende symbolen worden gebruikt in de gebruikershandleiding of op het product:



Lees de gebruikershandleiding.



Duidt op het risico van lichamelijk letsel, overlijden en/of beschadiging van de verwarming, als de instructies in deze gebruiksaanwijzing niet in acht worden genomen.



Gevaar voor elektrische schokken.



Opgepast heet oppervlak!



Dek het toestel niet af.



Aardingssymbool. Dit apparaat is geclassificeerd als beschermingsklasse I en moet worden aangesloten op een geaard stopcontact.



Het product is in overeenstemming met de van toepassing zijnde veiligheidsnormen in de Europese richtlijnen.

ALGEMENE VEILIGHEIDSVOORSCHRIFTEN
LEES DEZE INSTRUCTIES AANDACHTIG DOOR EN
BEWAAR ZE ZODAT U ZE LATER OOK NOG KUNT
RAADPLEGEN, De fabrikant kan niet aansprakelijk
worden gesteld voor schade die wordt veroorzaakt
door het niet in acht nemen van deze instructies.

Dit apparaat mag worden gebruikt door kinderen vanaf 8 jaar en door personen met verminderde lichamelijke, zintuiglijke of geestelijke vermogens, of met een gebrek aan ervaring en kennis, mits zij onder toezicht staan of geïnstrueerd zijn betreffende het veilig gebruik van het apparaat en zich bewust zijn van de ermee verbonden risico's. Kinderen mogen niet met het apparaat spelen. Reiniging en

gebruikersonderhoud mogen niet door kinderen zonder toezicht worden uitgevoerd.

Kinderen jonger dan 3 jaar moeten uit de buurt worden gehouden, tenzij zij onder voortdurend toezicht staan. Kinderen vanaf de leeftijd van 3 jaar, maar jonger dan 8 jaar mogen het apparaat alleen in- en uitschakelen, mits het apparaat is geplaatst of geïnstalleerd op een locatie die bedoeld is als de normale positie waarin het apparaat wordt gebruikt en zij onder toezicht staan of instructies hebben gekregen over het veilige gebruik van het apparaat en de gevaren ervan hebben begrepen. Kinderen vanaf de leeftijd van 3 jaar, maar jonger dan 8 jaar mogen de stekker van het apparaat niet in het stopcontact steken, het apparaat niet instellen noch reinigen, noch onderhoud van het apparaat uitvoeren.

VOORZICHTIG -Sommige delen van dit product kunnen erg heet worden en brandwonden veroorzaken. Speciale aandacht moet worden besteed indien kinderen en kwetsbare personen aanwezig zijn.

BELANGRIJKE VEILIGHEIDSVOORSCHRIFTEN

LEES AANDACHTIG DOOR - De infrarood kachel is ontworpen voor veilig gebruik. Toch kan installatie, onderhoud en gebruik van de verwarming gevaarlijk zijn. Wanneer u de volgende procedures in acht neemt zal dat het risico van brand, elektrische schok, persoonlijk letsel verminderde en de tijd die de installatie vraagt tot een minimum beperken. Bewaar deze instructies zodat u ze later ook nog kunt raadplegen.

- Lees alle instructies voor u deze verwarming in gebruik neemt.
- Haal het toestel uit de verpakking en controleer dat het in goede staat is, voordat u het gaat gebruiken.
- Laat niet kinderen spelen met onderdelen van de verpakking (zoals plastic zakken).
- Controleer de spanning van de stroomvoorziening in uw huis, zodat u zeker weet dat die overeenkomt met de nominale specificatie van de verwarming.
- Controleer het netsnoer en de stekker goed voor u ze gebruikt, zodat u zeker weet dat ze niet beschadigd zijn.
- U moet, voordat u de stekker uit het stopcontact trekt, het toestel uitschakelen, let erop, wanneer u het toestel inschakelt, dat uw handen droog zijn zodat een elektrische schok wordt voorkomen.

- Gebruik de terrasverwarming alleen buiten of in een grote open ruimte. Houd alle brandbare voorwerpen zoals dekkleden, parasols, takken, meubilair, gordijnen, papier, enz. weg bij het toestel (ten minste 1 meter, ook als het niet-stationaire voorwerpen zijn!). De afstand tot muren moet ten minste 1 meter zijn. De kop moet zich ten minste 180 cm boven de grond bevinden. Plaatst u het toestel onder een dak, dan moet er een ruimte zijn van ten minste 50 cm tussen de kap van de terrasverwarming en het (niet-brandbare) plafond. Met een brandbaar dak (hout, kunststof, doek, enz.) moet de afstand ten minste 1 meter zijn. Zorg altijd voor goede ventilatie!
- Plaats het toestel niet vlak boven of onder een wandstopcontact (niet in de onmiddellijke nabijheid).
- De terrasverwarming is alleen bedoeld voor huishoudelijk gebruik. U mag het toestel daarom niet gebruiken op bouwlocaties, in kassen, schuren of stallen, enz., zelfs niet als zij grotendeels open zijn. Er is daar meestal teveel brandbaar materiaal.
- Gebruik de terrasverwarming niet als verwarming in een sauna of als een permanente verwarming in een ruimte of een vertrek.
- Gebruik de terrasverwarming niet in een kennel of een andere locatie waar dieren aanwezig zijn.
- Gebruik het toestel niet in de onmiddellijke nabijheid van een bad of zwembad of een andere vloeistofbron. Het toestel is wel spatwaterbestendig, maar u moet voorzichtig zijn met water. Zorg ervoor dat het toestel niet in het water kan vallen en stel het niet bloot aan krachtige waterstralen. Raak het niet aan met natte handen en plaats het toestel niet in de ruimte direct rond een bad, badkamer, zwembad of een andere watervoorziening, omdat dat gevaarlijk is.
- Bescherm uzelf tegen een elektrische schok, dompel het snoer of de stekken niet onder in water of een andere vloeistof.
- Steek geen vreemde voorwerpen in een ventilatieopening of uitlaatopening en laat geen voorwerpen in het toestel komen, omdat dit een elektrische schok, brand of beschadiging van de verwarming kan veroorzaken.
- Zorg voor voldoende verlichting. De schakelaars van het toestel moeten goed zichtbaar zijn van een afstand van 1 meter.
- Trekt altijd de stekker van de verwarming uit het stopcontact, wanneer u het toestel niet gebruikt. Laat het toestel nooit onbeheerd achter terwijl het in gebruik is, maar schakel het uit en trekt de stekker uit het stopcontact. Gebruik het toestel niet met een tijd klok of een ander toestel dat de verwarming automatisch inschakelt.
- Gebruikte verwarming niets met een externe spanningsregelaar zoals een dimmer, snelheidsregelaar, enz. Hierdoor ontstaat een elektrisch risico.
- Controleer dat het snoeren niet over (scherpe) randen hangt, dat er geen knikken inzitten, dat het niet in contact komt met hete oppervlakken. Wind het snoer niet rond het toestel.
- Laat het koord niet over een werkblad hangen waar kinderen er gemakkelijk aan kunnen trekken.
- Steek geen vingers of vreemde voorwerpen in het rooster, terwijl het toestel aanstaat.
- Laat het apparaat niet onbeheerd achter wanneer het in gebruik is.
- De verwarming is niet bedoeld voor gebruik in badkamers, wasruimtes of dergelijke locaties binnenshuis, plaats de verwarming nooit op een plaats waar het toestel in een badkuip of in een andere waterbak kan vallen.
- Er kan geen aansprakelijkheid worden aanvaard voor schade die wordt veroorzaakt door het niet naleven van deze instructies of door ander niet passend gebruik of verkeerde behandeling.
- Dit apparaat kan worden gebruikt door kinderen van 8 jaar en ouder en personen met verminderde fysieke, sensorische of mentale vermogens of gebrek aan ervaring en kennis, mits ze onder toezicht staan of instructies hebben gekregen over het veilig gebruiken van het apparaat en de gevaren begrijpen. Betrokken kinderen mogen niet met het apparaat spelen. Reiniging en gebruikersonderhoud mogen niet zonder toezicht door kinderen worden uitgevoerd.
- Als het toestel om welke reden dan ook scheuren of breuken laat zien, of als u een beschadiging of onderbreking van de aluminium behuizing of een ander onderdeel vaststelt, schakel het toestel dan onmiddellijk uit en trek de stekker uit het stopcontact.
- Als het netsnoer op welke manier dan ook beschadigd is, moet het worden vervangen door de fabrikant of servicemedewerkers of andere gekwalificeerde personen zodat risico's worden voorkomen.

- Voor: oververhitting van dit apparaat, houd luchtinlaten en -uitlaten schoon en vrij van alles wat de openingen zou kunnen blokkeren. Controleer van tijd tot tijd alle inlaten en uitlaten, zodat u zeker weet dat er zich geen vuil of stof in heeft verzameld. DEK HET TOESTEL NIET AF. Het waarschuwingslabel met de tekst dat het toestel niet mag worden afgedekt, moet ook na de installatie op een duidelijk zichtbare plaats worden geplakt: het mag niet op de achterzijde zitten.
- Delen van de verwarming kunnen warmer worden dan 200°C, contact met de verwarmingsbuis, reflector of metalen delen dicht bij de verwarmingsbuis, kan ernstige BRANDWONDEN veroorzaken. Voorkom brandwonden, let erop dat u niet het hete oppervlak met de blote huid aanraakt.
- Plaats NOOIT uw handen onder de verwarmingselementen. Laat het verwarmingselement ALTIJD 10 minuten afkoelen, voordat u de verwarmingsbuis of delen dicht daarbij aanraakt.
- Berg niet brandbare vloeistoffen of materialen, zoals verf, petroleum, gastanks, enz. in de onmiddellijke nabijheid van het toestel. Gebruik het toestel niet in een brandbare atmosfeer, zoals in de buurt van brandbare gastanks, gasbuizen of spuitbussen. Gevaar voor explosie en brand!
- Dit product bevat materialen die kunnen worden gerecycled. Gooi dit product niet weg als ongesorteerd huishoudelijk afval. Neem contact op met de plaatselijke autoriteiten voor het dichtstbijzijnde inzamelpunt.

Elektrische veiligheid



Controleer altijd of de spanning van de stroomtoevoer overeenkomt met de spanning op het typeplaatje.

- Gebruik de machine niet indien het netsnoer of de netstekker zijn beschadigd.
- Gebruik uitsluitend verlengkabels die geschikt zijn voor het vermogen van de machine met een minimale dikte van 1,5 mm². Indien u een verlengkabelhaspel gebruikt, rol dan altijd de kabel volledig uit.

2. TECHNISCHE INFORMATIE

Bedoeld gebruik

Dit product is ontworpen als terrasverwarmer voor woonomgevingen. De kachel is bedoeld voor privé-tuinen of andere buitenruimtes in huis. De kachel

mag niet worden gebruikt voor het verwarmen van een binnenruimte, voor gebruik als niet-huishoudelijke buitenverwarmer of voor het drogen van textiel of andere materialen. Deze kachel is niet uitgerust met een apparaat om de kamertemperatuur te regelen, dus gebruik deze kachel niet in ruimtes waar ze worden bewoond door personen die de kamer niet alleen kunnen verlaten, tenzij er constant toezicht wordt geboden. Het apparaat mag alleen worden gebruikt voor het voorgeschreven doel. Elk ander gebruik wordt als misbruik aangemerkt.

TECHNISCHE SPECIFICATIES

Modelnr.	PH511AC
Spanning	220 - 240 V ~
Frequentie	50-60 Hz
Vermogen	2200W
Vermogensinstellingen	1: 730W 2: 1460W 3: 2200W
Type verwarmingselement	Kwarts
Verwarmingstijd	20 seconden
Golflengte	1,4-3,0
Straalefficiëncy	60%
Verwarmingsafstand	3-4m
Verwarmingsbereik	15m ²
Elektronische zachte start	Ja
Beschermingsklasse tegen indringing	IP34
Beschermingsklasse	Klasse I
Gewicht	1,50 kg

BESCHRIJVING

De nummers in de tekst verwijzen naar de diagrammen op pagina 2-4.

1. Verwarming
2. Beschermend rooster
3. Indicator vermogensniveau
4. Voedingskabel
5. Trekkoord (aan/uit-schakelaar)
6. Bovenste buis
7. Kleine kabelhouder
8. Middelste buis
9. Grote kabelhouder
10. Onderste buis

11. Beschermkap
12. Grondplaat
13. Lange bout
14. Korte bout
15. Klemring
16. Verlengbare buis
17. Schroeven

3. ASSEMBLAGE



Deze verwarming moet worden geïnstalleerd door een vakbekwaam persoon, d.w.z. een bevoegd elektricien.



Koppel voor installatie de verwarming altijd los van de stroomvoorziening en laat het toestel afkoelen.

De verwarming samenstellen (Afb. B-F)



Monteer het toestel altijd met de bijgeleverde accessoires.

Houd, voordat u het apparaat begint samen te stellen, rekening met het volgende:

- Plaats het apparaat op een stevige en vlakke ondergrond. Het apparaat mag nooit onder een hoek geplaatst worden!
 - Het apparaat moet een manier geplaatst worden zodat er 100 cm vrije ruimte is tussen de verwarming en een voorwerp of muur, gemeten van de voor- of zijkant. De afstand tussen de grond en de onderkant van het apparaat moet minstens 1,80 m zijn. Er moet minstens 30 cm vrije ruimte tussen het apparaat en het plafond zijn.
 - Installeer de verwarming niet op of in de buurt van een brandbaar oppervlak.
 - Als de verwarming buiten gebruikt gaat worden, wordt een weersbestendig stopcontact sterk aanbevolen.
 - Controleer voordat u gaat boren of er geen draden of waterleidingen liggen in het gebied waar de verwarming moet worden geïnstalleerd.
1. Begin met het monteren van de onderste buis (10) op de basisplaat (12). Zet de lange bouten vast (13) zoals wordt weergegeven op afbeelding B.
 2. Schuif de beschermkap (11) op de onderste buis (10) zoals wordt weergegeven op afbeelding B. Dit zal de bouten (13) verbergen.
 3. Neem een grote kabelhouder (9) en plaats deze op de middelste buis (8) zoals wordt weergegeven op afbeelding C.
 4. Plaats nu de middelste buis (8) op de onderste buis (10). Zorg ervoor dat de gaten in beide buizen met elkaar uitgelijnd zijn. Zet nu de korte bouten vast (14) zoals wordt weergegeven op afbeelding C.
 5. Neem een grote kabelhouder (9) en plaats deze op de bovenste buis (6) zoals weergegeven wordt op afbeelding D.
 6. Plaats nu de bovenste buis (6) op de middelste buis (18). Zorg ervoor dat de gaten in beide buizen met elkaar uitgelijnd zijn. Zet nu vast met de korte bouten (14) zoals wordt weergegeven op afbeelding D.
 7. Zet de klemring (15) op de bovenste buis (6) los door deze in tegenwijzerzin te draaien. Nu kan de verlengbare buis (16) in de hoogte verlengd worden door er aan te trekken.
 8. Zet, wanneer de gewenste lengte bereikt is, de klemring (15) op de bovenste buis (6) opnieuw vast door deze in wijzerzin te draaien.
 9. Neem de kleine kabelhouder (7) en plaats deze op de verlengbare buis (16) zoals wordt weergegeven op afbeelding D.
 10. Schuif het gat op de onderkant van de verwarming (1) op de verlengbare buis (16) zoals wordt weergegeven op afbeelding E.
 11. Zorg ervoor dat de twee gaten in de verwarming (1) uitgelijnd zijn met de gaten in de verlengbare buis (16).
 12. Zet de verwarming (1) nu stevig op zijn plaats door de schroeven (17) in de gaten van de verlengbare buis (16) en dus de verwarming vast te zetten.
 13. Zet de voedingskabel (4) vast met de kleine kabelhouder (7) en grote kabelhouders (9). Raadpleeg afbeelding F.
 14. Kantel het apparaat onder de juiste hoek. Het apparaat kan 45° omlaag worden gekanteld, zoals wordt weergegeven op afbeelding G.

4. BEDIENING

Aan-/uitschakelen (Afb. A)

De verwarming kan m.b.v. het trekkoord in- en uitgeschakeld worden. Trek aan het koord van de trekschakelaar (5) totdat het gewenste niveau op de indicator voor het verwarmingsniveau (3) wordt weergegeven:

- Niveau 0 = uitgeschakeld
- Niveau 1 = 730W

- Niveau 2 = 1460W
- Niveau 3 = 2200W

Om de verwarming uit te schakelen, trekt u aan het koord van de trekschakelaar (5) om deze op het niveau 0 in te stellen.

Veiligheidsschakelaar (Afb. A)

Deze verwarming is voorzien van een veiligheids-schakelaar. Als de verwarming omvalt, zal de verwarming automatisch uitschakelen. Merk op dat als de verwarming weer rechtop wordt gepositioneerd, de verwarming niet direct zal starten met het verwarmen. Eerst dient de verwarming uitgeschakeld te worden (lees 'aan-/ uitschakelen'), dient de stekker uit het stopcontact genomen te worden en dient de verwarming op beschadigingen gecontroleerd te worden. In geval van beschadigingen of storingen, de verwarming niet gebruiken, maar het apparaat voor controle/ reparatie aanbieden. Als er geen sprake is van beschadigingen, kunt u de verwarming gewoon weer inschakelen (lees 'aan-/uitschakelen').

5. ONDERHOUD



Controleer altijd dat het toestel niet op de stroomvoorziening is aangesloten wanneer u onderhoud aan het mechanisme uitvoert.



VOORZICHTIG: *Risico op een elektrische schok. Maak de verwarming NIET open en probeer NIET zelf de verwarming te repareren.*

Maak de behuizing van het apparaat regelmatig schoon met een zachte doek, bij voorkeur na ieder gebruik. Controleer of de ventilatie-openingen vrij zijn van stof en vuil. Verwijder hardnekkig vuil met een zachte doek vochtig gemaakt met een zeepoplossing. Gebruik geen oplosmiddelen zoals benzine, alcohol, ammoniak, enzovoorts. Chemicaliën zoals deze kunnen de synthetische componenten beschadigen.

- GEBRUIK GEEN alcohol, benzine, schuurpoeders, meubelwas of ruwe borstels voor het reinigen van de verwarming. Dit kan beschadiging en aantasting van het oppervlak van de verwarming tot gevolg hebben.
- Dompel de verwarming NIET onder in water.
- Gebruik de verwarming pas weer deze geheel droog is.

LET OP:

- Koppel voor u de verwarming gaat schoonmaken, het toestel altijd los van de stroomvoorziening en laat het afkoelen.
- Als er zich een stof of vuil heeft verzameld binnen in het toestel of rond het verwarmingselement, laat het toestel dan reinigen door een gekwalificeerde servicemonteur. Schakel de verwarming niet wanneer het toestel in deze staat is.
- Het enige onderhoud dat de verwarming vraagt is het schoonmaken van de oppervlakken aan de buitenzijde.
- Raak het verwarmingselement niets met blote vingers aan, omdat resten van uw hand de levensduur van de lamp kunnen bekorten. Heeft u het element per ongeluk aangeraakt, verwijder dan de vingerafdrukken met een zachte doek die u vochtig heeft gemaakt met spiritus of alcohol.
- Probeer niet elektrische of mechanische functies op deze verwarming te repareren of af te stellen.
- De verwarming bevat geen onderdelen waaraan de gebruiker onderhoud kan uitvoeren. Als dit product beschadigd raakt of niet meer werkt, moet het worden teruggestuurd naar de fabrikant of zijn servicemonteur.
- Als het netsnoer beschadigd is, moet het worden vervangen door de fabrikant, een servicemonteur of iemand met een dergelijke kwalificatie, zodat risico's worden voorkomen.

Opslag

Berg de verwarming op in een koele, droge opslagruimte, wanneer u het toestel niet gebruikt, zodat er zich geen vuil en stof op kunnen verzamelen. Gebruik de verpakking voor opslagdoeleinden.

Oplossen van problemen

Als de verwarming niet werkt, controleer dan het volgende voordat u een verzoek indient voor reparatie of service:

- Controleer of de stekker van het netsnoer wel in het stopcontact is gestoken, als dat niet het geval is, steek de stekker in het stopcontact.
- Controleer of er spanning op het stopcontact staat.
- Controleer dat de Aan/uit-schakelaar in de juiste stand staat, is dat niet het geval, schakel dan de verwarming in.

MILIEU



Defecte en/of afgedankte elektrische of elektronische gereedschappen dienen ter verwerking te worden aangeboden aan een daarvoor verantwoordelijke instantie.

Uitsluitend voor EG-landen

Werp elektrisch gereedschap niet weg bij het huisvuil. Conform de Europese Richtlijn 2012/19/EG voor Afgedankte Elektrische en Elektronische Apparatuur en de implementatie ervan in nationaal recht moet niet langer te gebruiken elektrisch gereedschap gescheiden worden verzameld en op een milieuvriendelijke wijze worden verwerkt.

GARANTIE

VONROC producten zijn ontworpen volgens de hoogste kwaliteitsstandaarden en gegarandeerd vrij van defecten, zowel materieel als fabrieksfouten, tijdens de wettelijk vastgestelde garantieperiode vanaf de eerste aankoopdatum. Mocht het product tijdens deze periode gebreken vertonen veroorzaakt door defecte materialen en/of fabrieksfouten, neem dan rechtstreeks contact op met VONROC.

De volgende situaties vallen niet onder de garantie:

- Er zijn reparaties of aanpassingen aan de machine uitgevoerd, of er is een poging daartoe ondernomen, door een nietgeautoriseerd servicecentrum.
- Normale slijtage.
- De machine is misbruikt, verkeerd gebruikt of slecht onderhouden.
- Er zijn niet-originele reserveonderdelen gebruikt.

Dit vormt de enige garantie opgesteld door het bedrijf zowel expliciet als impliciet. Er bestaan geen andere garanties expliciet of impliciet welke verder gaan dan deze garantie, inclusief impliciete garanties van verkoopbaarheid en geschiktheid voor bepaalde doeleinden. In geen enkel geval kan VONROC aansprakelijk worden gesteld voor incidentele schade of gevolgschade. Reparaties van dealers zijn gelimiteerd tot de reparatie of vervanging van defecte producten of onderdelen.

Het product en de gebruikershandleiding zijn onderhevig aan wijzigingen. Specificaties kunnen zonder opgave van redenen worden gewijzigd.

1. CONSIGNES DE SÉCURITÉ

En plus des avertissements de sécurité suivants, veuillez également lire les avertissements de sécurité additionnels ainsi que les instructions. Le non-respect des avertissements de sécurité et des instructions peut entraîner une décharge électrique, un incendie et/ou des blessures graves. Veuillez conserver les avertissements de sécurité et les instructions pour consultation ultérieure.

Les symboles suivants sont utilisés dans le manuel d'utilisation ou apposés sur le produit:



Lisez le manuel d'utilisation.



Indique un risque de blessure, de décès ou de détérioration de l'appareil de chauffage en cas de non-respect des consignes de ce manuel.



Risque de décharge électrique.



Attention surface chaude!



Ne couvrez pas l'appareil.



Symbole de mise à la terre. Cet appareil est classé dans la classe de protection I et doit être connecté à une prise secteur mise à la terre.



Le produit est conforme aux normes de sécurité en vigueur spécifiées dans les directives européennes.

**CONSIGNES GÉNÉRALES DE SÉCURITÉ
CES INSTRUCTIONS DOIVENT ÊTRE LUES AVEC ATTENTION ET CONSERVÉES POUR POUVOIR S'Y RÉFÉRER ULTÉRIEUREMENT, Le fabricant ne saurait être tenu responsable pour un quelconque dommage consécutif au non-respect de ces instructions.**

Cet appareil peut être utilisé par des enfants âgés de 8 ans et plus et par des personnes aux capacités physiques, sensorielles ou mentales réduites, ou qui manquent d'expérience et de connaissance, à condition qu'ils soient supervisés ou qu'ils aient été formés sur la façon sûre d'utiliser l'appareil et qu'ils comprennent les risques encourus. Les enfants ne doivent pas jouer avec l'appareil. Le net-

toyage et les opérations de maintenance à réaliser par l'utilisateur ne doivent pas être exécutés par des enfants sans surveillance.

Les enfants de moins de 3 ans doivent être gardés à l'écart, à moins d'être surveillés en permanence. Les enfants entre 3 et 8 ans ne peuvent allumer ou éteindre l'appareil, qu'à condition que ce dernier soit positionné ou installé dans sa position de service normale et que les enfants soient surveillés ou qu'ils aient appris comment utiliser l'appareil en toute sécurité et qu'ils aient compris les risques possibles. Les enfants entre 3 et 8 ans n'ont pas le droit de brancher, de régler et de nettoyer l'appareil ou d'en réaliser la maintenance.

ATTENTION - Certaines pièces de ce produit peuvent devenir très chaudes et provoquer des brûlures. Soyez particulièrement vigilant en présence d'enfants ou d'autres personnes vulnérables.

CONSIGNES DE SÉCURITÉ IMPORTANTES

À LIRE AVEC ATTENTION - L'appareil de chauffage à infrarouge a été conçu pour fonctionner en toute sécurité. Cependant, l'installation, la maintenance et l'utilisation de l'appareil de chauffage peuvent être dangereuses. Le respect des procédures qui suivent permet de réduire le risque d'incendie, de décharge électrique, de blessure et il permet de réduire la durée de l'installation à son minimum. Veuillez à bien conserver ces consignes pour pouvoir vous y référer dans le futur.

- Veuillez à lire toutes les consignes avant d'utiliser ce radiateur.
- Sortez l'appareil de son emballage et contrôlez son bon état avant de l'utiliser.
- Ne laissez pas les enfants jouer avec les morceaux d'emballage (les sacs en plastique par exemple).
- Vérifiez la tension électrique de votre habitation afin de confirmer qu'elle correspond à la tension nominale de l'appareil de chauffage mentionnée.
- Contrôlez soigneusement le cordon électrique et la prise avant l'utilisation, afin de garantir qu'ils sont en bon état.
- Avant de débrancher le cordon électrique, veuillez à éteindre l'appareil et avant de mettre l'appareil en marche, veuillez à ce que vos mains soient sèches, afin d'éviter toute décharge électrique.
- Veillez à n'utiliser le chauffage de terrasse qu'à l'extérieur ou dans un lieu spacieux et ouvert. Veillez à éloigner tous les objets inflammables comme les barnums, les bâches, les parasols, les branches, les meubles, les rideaux, le papier, etc. du passage de l'appareil de chauffage (à au moins 1 mètre, même si ce ne sont pas des objets fixes !). La distance avec les murs ne doit pas être inférieure à 1 mètre. La tête doit se trouver à au moins 180 cm au-dessus du sol. Si vous placez l'appareil sous un toit, un espace d'au moins 50 cm doit séparer le chapeau du chauffage de terrasse et le plafond (matériau non-inflammable). Si le toit est en matériau inflammable (bois, plastique, bâche, etc.) la distance doit au moins être égale à 1 mètre. Veillez à toujours disposer d'une bonne ventilation !
- Ne positionnez pas l'appareil sur ou sous une prise murale (et jamais à proximité immédiate).
- Le chauffage de terrasse n'a été conçu que pour un usage domestique. Vous ne devez donc pas l'utiliser sur des chantiers de construction, dans des serres, des granges ou des écuries, etc., même si ces endroits sont largement découverts. Ces endroits renferment trop de matières inflammables.
- N'utilisez pas ce chauffage de terrasse comme moyen de chauffage dans des saunas ou comme chauffage permanent.
- N'utilisez pas ce chauffage de terrasse dans un chenil ou dans tout autre endroit accueillant des animaux.
- Ne l'utilisez pas à proximité d'une baignoire, d'une piscine ou de tout autre point d'eau. Bien que l'appareil soit protégé contre les éclaboussures, vous devez rester vigilant avec l'eau. Veillez à ce qu'il ne tombe pas dans l'eau et ne l'exposez pas à de puissants jets d'eau. Ne touchez pas l'appareil avec les mains mouillées et ne l'installez pas à proximité immédiate d'une baignoire, de sanitaires, d'une piscine ou de tout autre point d'eau car cela représente un risque.
- Afin de vous protéger d'une décharge électrique, n'immergez pas le cordon électrique ou la prise dans l'eau, ni dans aucun autre liquide.
- N'insérez et ne laissez pénétrer aucuns corps étrangers dans les ouvertures de ventilation et d'échappement car cela pourrait occasionner une décharge électrique ou un incendie et endommager l'appareil de chauffage.

- Veillez à ce que l'éclairage soit suffisant. Les interrupteurs de l'appareil doivent rester visibles à une distance de 1 mètre.
- Veillez à toujours débrancher l'appareil de chauffage lorsqu'il n'est pas utilisé. Ne laissez jamais l'appareil sans surveillance lorsqu'il est en marche. Veillez à l'éteindre et le débrancher. N'utilisez pas de programmateur, de minuteur ou tout autre dispositif de mise en marche automatique avec l'appareil.
- N'utilisez de régulateur de tension externe, comme un variateur ou un régulateur de vitesse, etc. avec l'appareil. Cela pourrait créer un risque électrique.
- Veillez à ne pas faire pendre le cordon sur des bords (tranchants), à ne pas trop le plier et à ne pas le faire reposer sur des surfaces chaudes. N'enroulez pas le cordon autour de l'appareil.
- Ne laissez pas le cordon pendre d'une table ou autre afin que les enfants ne puissent pas tirer dessus.
- Veillez ne pas mettre les doigts et à ne rien insérer dans la grille quand l'appareil est en marche.
- Ne laissez pas l'appareil sans surveillance lorsqu'il est en marche.
- Cet appareil de chauffage n'a pas été conçu pour être utilisé dans des salles de bains, des buanderies ou tout autre endroit similaire. N'installez jamais l'appareil de chauffage dans un endroit d'où il pourrait tomber, soit dans une baignoire, soit dans un autre contenant rempli d'eau.
- Aucune responsabilité ne saurait être acceptée pour un quelconque dommage consécutif au non-respect de ces consignes ou à une quelle qu'autre utilisation ou manipulation incorrectes.
- Cet appareil peut être utilisé par des enfants âgés de 8 ans et plus et des personnes ayant des capacités physiques, sensorielles ou mentales réduites ou un manque d'expérience et de connaissances s'ils ont reçu une supervision ou des instructions concernant l'utilisation de l'appareil en toute sécurité et comprennent les dangers impliqués. Les enfants ne doivent pas jouer avec l'appareil. Le nettoyage et l'entretien par l'utilisateur ne doivent pas être effectués par des enfants sans surveillance.
- Si, pour une quelconque raison, l'appareil présente des fissures ou des cassures ou si vous détectez une quelconque imperfection ou un quelconque manque d'intégrité sur le boîtier en aluminium, éteignez immédiatement l'appareil et débranchez la prise électrique.
- Si le cordon électrique est endommagé d'une quelconque façon, il doit être remplacé par le fabricant ou l'un de ses prestataires de services ou par une personne de même qualification, afin d'éviter tout risque.
- Afin d'éviter toute surchauffe de cet appareil, gardez les arrivées et les sorties d'air propres et exemptes de tout ce qui pourrait les obturer. Contrôlez de temps en temps les arrivées et les sorties d'air afin de vérifier l'absence d'accumulation de saletés ou de poussière. NE PAS COUVRIR. Cette étiquette d'avertissement indiquant de ne pas couvrir l'appareil doit également être apposée à un endroit bien visible après l'installation. Elle ne doit pas se retrouver derrière l'appareil.
- Certaines pièces de l'appareil peuvent dépasser 200°C, tout contact avec le tube chauffant, le réflecteur ou les pièces métalliques près du tube chauffant peuvent occasionner de graves BRÛLURES. Afin d'éviter les brûlures, ne touchez pas les surfaces chaudes à main nue.
- Ne placez JAMAIS vos mains sous les éléments chauffants. Veillez à TOUJOURS laisser l'élément chauffant refroidir au moins 10 minutes avant de toucher le tube chauffant ou les pièces à proximité.
- Veillez à ne jamais ranger de liquides inflammables ou des substances comme de la peinture, de l'essence, des bonbonnes de gaz, etc. à proximité immédiate de l'appareil. N'utilisez pas l'appareil dans des environnements inflammables, près de bonbonnes de gaz, de canalisations de gaz ou de bombes aérosols par exemple. Risque d'explosion et d'incendie !
- Ce produit est composé de matières recyclables. Ne jetez pas ce produit avec les déchets ménagers non triés. Contactez vos autorités locales pour savoir où le centre de collecter le plus proche se trouve.

Sécurité électrique



Vérifiez si la tension d'alimentation électrique correspond bien à celle de la plaque signalétique.

- N'utilisez pas la machine si le câble secteur ou la fiche secteur est endommagé.

- Utilisez uniquement des rallonges adaptées à la puissance nominale de la machine et d'une section minimum de 1,5 mm². Si vous utilisez une bobine de rallonge, déroulez toujours complètement le câble.

2. INFORMATIONS RELATIVES À LA MACHINE

Utilisation conforme

Ce produit est conçu comme un chauffe-terrasse pour les environnements domestiques. Le radiateur est destiné aux jardins privés ou à d'autres espaces extérieurs de la maison. Le radiateur ne doit pas être utilisé pour chauffer un espace intérieur, pour une utilisation comme radiateur extérieur non domestique ou pour le séchage de textiles ou d'autres matériaux. Cet appareil de chauffage n'est pas équipé d'un dispositif de contrôle de la température ambiante. N'utilisez donc pas cet appareil dans des locaux occupés par des personnes incapables de quitter la pièce par elles-mêmes, à moins qu'une surveillance constante ne soit fournie. L'appareil doit être utilisé uniquement aux fins prescrites. Toute autre utilisation est considérée comme un cas d'abus.

SPÉCIFICATIONS TECHNIQUES

N° de modèle	PH511AC
Tension	220-240 V ~
Fréquence	50-60 Hz
Puissance	2200W
Réglage puissance	1: 730W 2: 1460W 3: 2200W
Type d'élément chauffant	Quartz
Délai de chauffe	20 secondes
Longueur d'onde	1,4-3,0
Efficacité du rayonnement	60%
Distance de chauffe	3-4m
Zone de chauffe	15m ²
Démarrage électronique progressif	Oui
Indice de protection	IP34
Classe de protection	Classe I
Poids	1,50 kg

DESCRIPTION

Les numéros dans le texte se rapportent aux schémas des pages 2-4.

- Élément chauffant
- Grille de protection
- Indicateur du niveau de puissance
- Câble électrique
- Cordon à tirer (interrupteur)
- Tube supérieur
- Petit support de câble
- Tube central
- Grand support de câble
- Tube inférieur
- Cache
- Plaque de fond
- Boulon long
- Boulon court
- Bague de fixation
- Tube-rallonge
- Vis

3. MONTAGE



Cet appareil de chauffage doit être installé par une personne compétente, un électricien qualifié par exemple.



Veillez à toujours débrancher l'appareil de chauffage de l'alimentation électrique et à le laisser refroidir avant de l'installer quelque part.

Assembler l'appareil de chauffage (Fig. B-F)



Veillez à toujours assembler l'équipement à l'aide des accessoires fournis avec.

Avant de commencer l'assemblage, veillez à respecter ce qui suit :

- Positionnez l'équipement sur une surface ferme et de niveau. L'appareil ne doit jamais être incliné!
- L'appareil doit être positionné de sorte qu'il reste un espace vide de 100 cm entre l'avant et le côté de l'appareil et n'importe quel objet ou mur. Il doit rester un espace d'au moins 1,80 m entre le sol et le dessous de l'appareil. Il doit rester un espace d'au moins 30cm entre l'appareil et le plafond.
- Veillez à ne pas installer l'appareil de chauffage sur ou à proximité d'une surface inflammable.
- Si l'appareil de chauffage doit être utilisé à

l'extérieur, l'utilisation d'une prise étanche est fortement préconisée.

- Avant de percer, contrôlez qu'il n'y a aucun fil, câble et aucune canalisation dans la zone où l'appareil de chauffage doit être installé.
1. Commencez par installer le tube inférieur (10) sur la plaque de fond (12). Fixez les boulons longs (13) comme illustré par la figure B.
 2. Glissez le cache (11) sur le tube inférieur (10), comme illustré par la figure B. Il permet de camoufler les boulons (13).
 3. Prenez un grand support de câble (9) et placez-le sur le tube central (8), comme illustré par la figure C.
 4. Placez ensuite le tube central (8) sur le tube inférieur (10). Veillez à bien aligner les trous des deux tubes. Fixez alors l'ensemble à l'aide des boulons courts (14) comme illustré par la figure C.
 5. Prenez un grand support de câble (9) et placez-le sur le tube supérieur (6), comme illustré par la figure D.
 6. Placez ensuite le tube supérieur (6) sur le tube central (18). Veillez à bien aligner les trous des deux tubes. Fixez alors l'ensemble à l'aide des boulons courts (14) comme illustré par la figure D.
 7. Desserrez la bague de fixation (15) sur le tube supérieur (6) en la tournant dans le sens inverse des aiguilles d'une montre. Vous pouvez alors étirer le tube-rallonge (16) en tirant dessus.
 8. Après avoir atteint la hauteur voulue, serrez la bague de fixation (15) sur le tube supérieur (6) en la tournant dans le sens des aiguilles d'une montre.
 9. Prenez le petit support de câble (7) et placez-le sur le tube-rallonge (16), comme illustré par la figure D.
 10. Glissez le trou sous l'élément chauffant (1) sur le tube-rallonge (16), comme illustré par la figure E.
 11. Veillez à ce que les deux trous dans l'élément chauffant (1) soient bien alignés avec les trous dans le tube-rallonge (16).
 12. Vous devez alors fixer l'élément chauffant (1) en place en vissant les vis (17) dans les trous du tube-rallonge (16).
 13. Fixez le câble électrique (4) à l'aide du petit et des grands supports de câble (7) (9). Consultez la figure F.
 14. Inclinez l'appareil comme souhaité. Il est possible d'incliner l'appareil vers le bas sur 45° environ, comme illustré par la figure G.

4. FONCTIONNEMENT

Mettre en marche et éteindre l'appareil (Fig. A)

L'appareil de chauffage peut être allumé et éteint à l'aide du cordon à tirer. Tirez sur le cordon de l'interrupteur (5) jusqu'à ce que le niveau de chauffage voulu apparaisse sur l'indicateur du niveau de chauffe (3) :

- Niveau 0 = appareil éteint
- Niveau 1 = 730W
- Niveau 2 = 1460W
- Niveau 3 = 2200W

Pour éteindre l'appareil de chauffage, tirez sur le cordon de l'interrupteur (5) jusqu'à atteindre le niveau 0.

Dispositif de sécurité antichute (Fig. A)

Cet appareil de chauffage est équipé d'un dispositif de sécurité antichute. Si l'appareil de chauffage chute, il s'éteint immédiatement. Veuillez noter que l'appareil de chauffage ne fonctionne pas de nouveau immédiatement après avoir été ramassé. Vous devez d'abord l'éteindre à l'aide de l'interrupteur (voir "Mettre en marche et éteindre l'appareil"), débrancher la prise de courant et contrôler que l'appareil n'a pas été endommagé. S'il est endommagé ou s'il ne fonctionne plus correctement, ne l'utilisez plus et faites-le contrôler/réparer. S'il n'est pas endommagé, il vous suffit de le rallumer (voir "Mettre en marche et éteindre l'appareil").

5. ENTRETIEN



Veillez à ce que la machine ne soit pas branchée au réseau électrique si vous devez procéder à la maintenance du mécanisme.



ATTENTION : *Risque de décharge électrique. Veillez à NE JAMAIS ouvrir l'appareil de chauffage ou tenter de le réparer vous-même.*

Nettoyez régulièrement le boîtier de la machine à l'aide d'un chiffon doux et de préférence après chaque utilisation. Assurez-vous que les fentes d'aération restent exemptes de poussière et de saletés. Supprimez les taches tenaces à l'aide d'un chiffon doux légèrement humidifié avec une solution savonneuse. N'utilisez aucun solvant, essence, alcool, ammoniac, etc. car ces produits chimiques peuvent endommager les composants synthétiques.

- N'utilisez PAS d'alcool, d'essence, de poudre abrasive, de produit de polissage ou de brosse dure pour nettoyer l'appareil de chauffage. Cela pourrait endommager et détériorer la surface de l'appareil de chauffage.
- Ne plongez pas l'appareil de chauffage dans l'eau
- Veillez à ce que l'appareil de chauffage soit parfaitement sec avant de l'utiliser.

ATTENTION:

- Veillez à toujours débrancher l'appareil de chauffage de l'alimentation électrique et à le laisser refroidir avant de le nettoyer.
- Si l'appareil de chauffage a accumulé de la poussière ou des saletés à l'intérieur et autour de l'élément chauffant, il doit être nettoyé par un prestataire de service qualifié. Ne faites pas fonctionner l'appareil de chauffage dans ces conditions.
- La seule maintenance que nécessite l'appareil de chauffage est le nettoyage de ses surfaces extérieures.
- Ne touchez pas l'élément chauffant à mains nues car cela pourrait affecter la durée de vie de la lampe. Si vous le touchez accidentellement, retirez les traces de doigts à l'aide d'un chiffon doux légèrement humidifié avec un spiritueux ou un alcool mentholé.
- Ne tentez pas de réparer ou de régler le fonctionnement électrique ou mécanique de cet appareil de chauffage.
- L'appareil de chauffage ne contient aucune pièce réparable par l'utilisateur. Si l'appareil subit un dommage ou une panne, il doit être retourné au fabricant ou à son prestataire de service.
- Les cordons d'alimentation endommagés doivent être remplacés par le fabricant ou l'un de ses prestataires de service ou par une personne de même qualification, afin d'éviter tout risque.

Rangement

Veillez à ranger l'appareil de chauffage dans un endroit, frais et sec lorsqu'il n'est pas utilisé, afin d'empêcher toute accumulation de poussière et de saletés. Utilisez le carton d'emballage pour le ranger.

Dépannage

Si l'appareil de chauffage ne fonctionne plus, contrôlez ce qui suit avant de faire appel à un service de réparation :

- Contrôlez que le cordon électrique est bien bran-

- ché dans une prise de courant, si c'est le cas
- Contrôlez que l'électricité arrive bien au fusible principal
- Assurez-vous que les interrupteurs sont bien en position Marche, choisissez un niveau de réglage

ENVIRONNEMENT



Les équipements électroniques ou électriques défectueux ou destinés à être mis au rebut doivent être déposés aux points de recyclage appropriés.

Uniquement pour les pays de l'UE

Ne jetez pas les outils électriques avec les déchets domestiques. Selon la Directive européenne 2012/19/CE relative aux déchets d'équipements électriques et électroniques et sa mise en œuvre dans le droit national, les outils électriques hors d'usage doivent être collectés séparément et mis au rebut de manière écologique.

GARANTIE

Les produits VONROC sont développés aux plus hauts standards de qualité et ils sont garantis contre les défauts de pièces et de main d'oeuvre pendant la durée légale stipulée à partir de la date d'achat d'origine du produit. En cas d'une quelconque panne du produit pendant cette durée qui serait due à un défaut matériel et/ou de main d'oeuvre, contactez directement VONROC.

Les circonstances suivantes ne sont pas prises en charge par la garantie:

- Des réparations ou altérations ont été effectuées ou tentées sur la machine par un centre de réparation non agréé.
- L'usure normale.
- L'outil a été maltraité, mal utilisé ou mal entretenu.
- Des pièces détachées non d'origine ont été utilisées.

Ceci constitue l'unique garantie accordée par la société explicitement ou implicitement. Il n'existe aucune autre garantie, explicite ou implicite, qui peut s'étendre au delà du contenu ici présent, y compris les garanties marchandes ou d'adaptation à des fins particulières. En aucun cas VONROC ne sera tenu responsable de dommages accidentels ou consécu-

tifs. Les solutions proposées par les revendeurs devront se limiter à la réparation ou le remplacement des éléments ou pièces non conformes.

Le produit et le manuel d'utilisation sont sujets à modifications. Les spécifications peuvent changer sans préavis.

1. INSTRUCCIONES DE SEGURIDAD

Lea las advertencias de seguridad, las advertencias de seguridad adicionales y las instrucciones adjuntas. De no respetarse las advertencias de seguridad y las instrucciones, podrían producirse descargas eléctricas, incendios y/o lesiones graves. Conserve las advertencias de seguridad y las instrucciones para su posterior consulta.

Los siguientes símbolos se utilizan en el manual de usuario o en el producto:



Lee el manual del usuario.



Denota riesgo de lesiones corporales, muerte o daños al calefactor en caso de incumplimiento de las instrucciones del presente manual.



Riesgo de choque eléctrico.



Precaución: superficie caliente.



No cubra el dispositivo.



Símbolo de puesta a tierra. Este aparato está clasificado como clase de protección I y debe conectarse a una toma de corriente con toma de tierra.



El producto es conforme con las normas de seguridad vigentes en las Directivas Europeas.

GENERAL SAFETY WARNINGS

ESTAS INSTRUCCIONES DEBEN LEERSE CUIDADOSAMENTE Y CONSERVARSE PARA SU FUTURA CONSULTA. El fabricante no se hace responsable de los daños causados por el incumplimiento de estas instrucciones.

Este aparato puede ser utilizado por niños a partir de 8 años de edad y por personas con capacidades físicas, sensoriales o mentales reducidas o que carezcan de experiencia y conocimientos, si están supervisadas o capacitadas sobre el uso del aparato de modo seguro y si comprenden los peligros que supone. Los niños no deben jugar con el aparato. La limpieza y el mantenimiento de usuario no deben ser efectuados por niños, sin supervisión.

Los niños menores de 3 años de edad deben mantenerse alejados, salvo que estén continuamente vigilados. Los niños de 3 a 8 años de edad pueden solo encender y apagar el aparato, siempre que este haya sido colocado o instalado en su posición de funcionamiento normal prevista y estén vigilados o se les hayan dado instrucciones sobre el uso del aparato en modo seguro y entiendan los peligros que supone el uso. Los niños de 3 a 8 años de edad no deberán enchufar, ajustar ni limpiar el aparato ni realizar el mantenimiento de usuario.

CUIDADO — Algunas partes de este producto pueden calentarse mucho y causar quemaduras. Debe prestarse especial atención cuando haya niños y personas vulnerables.

INSTRUCCIONES DE SEGURIDAD IMPORTANTES

LEER CUIDADOSAMENTE - El calefactor de infrarrojos ha sido diseñado para un funcionamiento seguro. A pesar de ello, la instalación, el mantenimiento y el funcionamiento del calefactor pueden ser peligrosos. Si se respetan los siguientes procedimientos, se reduce el riesgo de incendio, descarga eléctrica y lesiones personales y se reduce al mínimo el tiempo de instalación. Guarde estas instrucciones para futuras consultas.

- Lea todas las instrucciones antes de usar el calefactor.
- Saque la unidad del embalaje y compruebe que esté en buenas condiciones antes de usarla.
- No deje que los niños jueguen con las partes del embalaje (como las bolsas de plástico).
- Compruebe el voltaje de la casa para asegurarse de que coincida con la especificación de funcionamiento del calefactor.
- Compruebe atentamente el cable de alimentación y el enchufe antes del uso, para asegurarse de que no estén dañados.
- Antes de desenchufar el cable de alimentación, apague la unidad y, cuando la encienda, asegúrese de tener las manos secas, para evitar una descarga eléctrica.
- Use el calefactor de terrazas solo al aire libre o en un espacio abierto amplio. Mantenga todos los objetos inflamables como lonas, sombrillas, ramas, muebles, cortinas, papel, etc., alejados del dispositivo (a por lo menos 1 metro, incluso si son objetos no estacionarios). Debe estar a por lo menos 1 metro de distancia de las paredes. La pantalla debe estar situada al menos a 180 cm

del suelo. Si coloca el dispositivo debajo de un techo, debe haber un espacio de por lo menos 50 cm entre la parte superior del calefactor de terrazas y el techo (no inflamable). Con un techo inflamable (madera, plástico, lona, etc.) la distancia debe ser de por lo menos 1 metro. ¡Asegure siempre una buena ventilación!

- No coloque el dispositivo justo por encima o por debajo de un enchufe de pared (no muy cerca).
- El calefactor de terrazas ha sido concebido solo para uso doméstico. Por lo tanto, no debe usarse en obras de construcción, en invernaderos, graneros, establos, etc., aunque sean muy abiertos. Suelen tener demasiados materiales inflamables.
- No use este calefactor de terrazas como calefactor de saunas o como calefactor permanente de espacios o habitaciones.
- No use este calefactor de terrazas en casetas de perros ni en ningún otro lugar donde haya animales.
- No lo utilice cerca o en las inmediaciones de bañeras, piscinas o cualquier otro depósito de líquidos. A pesar de que el dispositivo es a prueba de salpicaduras, hay que tener cuidado con el agua. Asegúrese de que no se caiga en el agua y no lo exponga a chorros de agua potentes. No toque el dispositivo con las manos húmedas ni lo coloque en áreas inmediatamente próximas a baños, lavabos, piscinas u otro suministro de agua, ya que es peligroso.
- Para protegerse contra las descargas eléctricas, no sumerja el cable o el enchufe en agua ni en ningún otro líquido.
- No introduzca ni deje entrar objetos extraños en ninguna abertura de ventilación o de salida pues pueden ocasionarse descargas eléctricas, incendios o daños en el calefactor.
- Compruebe que haya suficiente luz. Los interruptores del dispositivo deben resultar bien visibles desde una distancia de 1 metro.
- Desenchufe siempre el calefactor cuando no lo use. Nunca deje el dispositivo sin supervisión cuando esté en uso, apáguelo y desenchúfelo. No use el dispositivo con un programador, temporizador o cualquier otro dispositivo que lo encienda automáticamente.
- No use el calefactor con un regulador de tensión externo, como un regulador de intensidad, un regulador de velocidad, etc. Esto produce un peligro eléctrico.
- Compruebe que el cable no cuelgue sobre aristas

afiladas, no haga curvas pronunciadas y no toque superficies calientes. No enrolle el cable alrededor del dispositivo.

- No deje sobresalir el cable de la encimera, donde pueda ser tirado fácilmente por los niños.
- No ponga los dedos ni objetos extraños en la rejilla durante el funcionamiento.
- Nunca deje el aparato sin vigilancia cuando esté funcionando.
- Este calefactor no ha sido diseñado para ser utilizado en baños, lavanderías y lugares interiores similares. Nunca coloque el calefactor donde pueda caerse en una bañera u otro recipiente de agua.
- No asumiremos responsabilidad alguna por los daños causados por el incumplimiento de estas instrucciones o por cualquier otro uso o manejo indebido.
- Este aparato puede ser utilizado por niños a partir de 8 años y personas con capacidades físicas, sensoriales o mentales reducidas o con falta de experiencia y conocimiento si han recibido supervisión o instrucciones sobre el uso del aparato de forma segura y comprenden los peligros involucrados. Los niños no deben jugar con el aparato. Los niños no deben realizar la limpieza y el mantenimiento del usuario sin supervisión.
- Si por cualquier motivo el dispositivo se agrieta o se rompe o si nota alguna imperfección o anomalía en la carcasa de aluminio o en cualquier otra pieza, detenga inmediatamente el funcionamiento del dispositivo y saque el enchufe de la toma.
- Si el cable de alimentación se daña de cualquier modo, debe ser sustituido por el fabricante, sus centros de servicios u otras personas con cualificación similar, para evitar peligros.
- Para evitar el sobrecalentamiento de este aparato, mantenga las entradas y salidas de aire limpias y libres de cualquier elemento que pudiese causar una obstrucción. Compruebe periódicamente todas las entradas y salidas para asegurarse de que estén libres de toda acumulación de suciedad o polvo. **NO CUBRIR EL DISPOSITIVO.** La etiqueta de advertencia de no cubrir el dispositivo también debe colocarse en un lugar claramente visible después de la instalación. No debe colocarse en la parte posterior.
- Algunas piezas del calefactor pueden superar los 200 °C, por lo tanto, el contacto con el tubo calefactor, el reflector o las piezas metálicas cercanas

al tubo calefactor puede causar QUEMADURAS graves. Para evitar quemaduras, no toque con la piel desnuda la superficie caliente.

- **NUNCA** coloque las manos debajo de los elementos calefactores. SIEMPRE deje que el elemento calefactor se enfríe durante por lo menos 10 minutos antes de tocar el tubo calefactor o las piezas próximas.
- No guarde ningún líquido o material inflamable, como pintura, gasolina, depósitos de gas, etc., cerca del dispositivo. No utilice el dispositivo en ambientes inflamables, como depósitos de combustible cercanos, tubos de gas o botes de aerosol. ¡Peligro de explosión e incendio!
- Este producto contiene materiales reciclables. No elimine este producto como residuo doméstico sin clasificar. Póngase en contacto con las autoridades locales para conocer el punto de recogida más cercano.

Seguridad eléctrica



Compruebe siempre que la tensión del suministro eléctrico corresponda con la tensión de la placa de características.

- No utilice la máquina si el cable o el enchufe eléctrico han sufrido daños.
- Utilice únicamente cables alargadores que sean adecuados para la potencia nominal de la máquina con un grosor mínimo de 1,5 mm². Si utiliza un cable alargador en rollo, desenrolle totalmente el cable.

2. INFORMACION DE LA MAQUINA

Uso previsto

Este producto está diseñado como un calentador de patio para ambientes domésticos. El calentador está diseñado para jardines privados u otras áreas al aire libre en el hogar. El calentador no se puede usar para calentar un espacio interior, como un calentador de espacio exterior no doméstico o para secar textiles u otros materiales. Este calentador no está equipado con un dispositivo para controlar la temperatura de la habitación, por lo que no lo use en espacios donde estén ocupados por personas que no pueden salir de la habitación por sí mismas, a menos que se proporcione una supervisión constante. El dispositivo debe utilizarse únicamente para el propósito prescrito. Cualquier otro uso se considera un caso de mal uso.

ESPECIFICACIONES TECNICAS

Modelo n.º	PH511AC
Voltaje	220-240 V ~
Frecuencia	50-60 Hz
Potencia	2200 W
Ajuste de potencia	1: 730W 2: 1460W 3: 2200W
Tipo de elemento calefactor	Cuarzo
Tiempo de calentamiento	20 segundos
Longitud de onda	1,4-3,0
Eficiencia radiante	60%
Distancia de calentamiento	3-4m
Área de calentamiento	15m ²
Arranque electrónico suave	Sí
Clase de protección de entrada	IP34
Clase de protección	Clase I
Peso	1,50 kg

DESCRIPCION

Los números del texto se refieren a los diagramas de las página 2-4.

1. Calefactor
2. Rejilla protectora
3. Indicador de nivel de potencia
4. Cable de alimentación
5. Interruptor de cable (encendido/apagado)
6. Tubo superior
7. Sujetacables pequeño
8. Tubo intermedio
9. Sujetacables grande
10. Tubo inferior
11. Cubierta
12. Placa de base
13. Perno largo
14. Perno corto
15. Aro de sujeción
16. Tubo extensible
17. Tornillos

3. MONTAJE

Este calefactor debe ser instalado por una persona competente, es decir, un electricista cualificado.



Desconecte siempre el calefactor del suministro eléctrico y deje que se enfríe antes de la instalación.

Montaje del calefactor (figs. B-F)

Monte siempre el dispositivo con los accesorios suministrados.

Antes de empezar la instalación del dispositivo, tenga en cuenta lo siguiente:

- Coloque el dispositivo sobre una superficie firme y nivelada. ¡El dispositivo nunca debe colocarse en una esquina!
- El dispositivo se debe colocar de manera que queden 100 cm de espacio libre entre el calefactor y otro objeto o la pared, distancia medida desde la parte delantera o desde el lateral. Debe haber al menos un espacio de 1,80 m entre el suelo y el lado inferior del dispositivo. Debe haber al menos un espacio de 30 cm entre el dispositivo y el techo.
- No coloque el calefactor cerca de superficies inflamables o sobre estas.
- Si el calefactor se va a usar en el exterior, se recomienda utilizar una toma estanca.
- Antes de perforar, compruebe que no haya cables o tubos de agua en el área donde vaya a instalar el calefactor.

1. Empiece instalando el tubo inferior (10) en la placa de base (12). Conecte los pernos largos (13), tal como se muestra en la figura B.
2. Deslice la cubierta (11) sobre el tubo inferior (10), tal como se muestra en la figura B. De esta manera, los pernos (13) quedarán ocultos a la vista.
3. Tome un sujetacables grande (9) y colóquelo en el tubo intermedio (8), tal como se muestra en la figura C.
4. A continuación, coloque el tubo intermedio (8) en el tubo superior (10). Asegúrese de que los orificios de los dos tubos queden alineados. A continuación, apriete con los pernos cortos (14), tal como se muestra en la figura C.
5. Tome un sujetacables grande (9) y colóquelo en el tubo superior (6), tal como se muestra en la figura D.
6. A continuación, coloque el tubo superior (6) en el tubo intermedio (18). Asegúrese de que los orificios de los dos tubos queden alineados. A continuación, apriete con los pernos cortos

- (14), tal como se muestra en la figura D.
7. Afloje el aro de sujeción (15) en el tubo superior (6) girándolo en sentido antihorario. A continuación, podrá extender el tubo extensible (16) hacia arriba tirando de él.
 8. Una vez alcanzada la altura deseada, apriete el aro de sujeción (15) en el tubo superior (6) girándolo en sentido horario.
 9. Tome el sujetacables pequeño (7) y colóquelo en el tubo extensible (16), tal como se muestra en la figura D.
 10. Deslice el orificio del lado inferior del calefactor (1) sobre el tubo extensible (16), tal como se muestra en la figura E.
 11. Asegúrese de que los dos orificios del calefactor (1) queden alineados con los orificios del tubo extensible (16).
 12. A continuación, sujete bien el calefactor (1) apretando los tornillos (17) en los orificios del tubo extensible (16) y, por lo tanto, del calefactor.
 13. Sujete el cable de alimentación (4) mediante el sujetacables pequeño (7) y los sujetacables grandes (9). Consulte la figura F.
 14. Gire el dispositivo hacia el ángulo que desee. El dispositivo puede inclinarse 45° hacia abajo, tal como se muestra en la figura G.

4. FUNCIONAMIENTO

Encendido y apagado (Fig. A)

El calefactor puede encenderse y apagarse usando el interruptor de cable. Tire del cable del interruptor de cable (5) hasta que aparezca el nivel de calentamiento deseado en el indicador de nivel de calentamiento (3):

- Nivel 0 = apagado
- Nivel 1 = 730 W
- Nivel 2 = 1460 W
- Nivel 3 = 2200 W

Para apagar la estufa, tire del cable del interruptor de cable (5) hasta la posición de nivel 0.

Interruptor de seguridad de caída (Fig. A)

Este calefactor está equipado con un interruptor de seguridad de caída. Si el calefactor se cae, se apaga automáticamente. Tenga en cuenta que cuando vuelva a la posición vertical, no reanudará el funcionamiento inmediatamente. En primer lugar, apáguelo (lea el apartado de encendido/apagado), saque el enchufe de la toma y compruebe que el

calefactor no presente daños. En caso de daño o avería, no utilice el dispositivo; debe entregarlo para su comprobación/repación. En caso de ausencia de daños, puede volver a encender el calefactor (lea el apartado de encendido/ apagado).

5. MANTENIMIENTO



Compruebe siempre que la máquina no esté conectada a la red eléctrica cuando realice alguna operación de mantenimiento del mecanismo.



PRECAUCIÓN: *Riesgo de descarga eléctrica. NO abra ni intente reparar el calefactor usted mismo.*

Limpie regularmente la carcasa del aparato con un paño suave, preferentemente después de cada uso. Compruebe que los orificios de ventilación estén libres de polvo y suciedad. Elimine la suciedad persistente utilizando un paño suave humedecido con agua y jabón. No use disolventes tales como gasolina, alcohol, amoníaco, etc. Tales productos químicos pueden dañar los componentes sintéticos.

- NO use alcohol, gasolina, polvos abrasivos, lustramuebles o cepillos ásperos para limpiar el calefactor. Ello puede dañar o deteriorar la superficie del calefactor.
- NO sumerja el calefactor en agua.
- Espere a que el calefactor se seque completamente antes de usarlo.

ATENCIÓN:

- Desconecte siempre el calefactor del suministro eléctrico y deje que se enfríe antes de intentar limpiarlo.
- Si el calefactor ha acumulado polvo o suciedad en su interior o alrededor del elemento calefactor, debe ser limpiado por un agente de servicio cualificado. No utilice el calefactor en estas condiciones.
- El único mantenimiento necesario es la limpieza de las superficies externas del calefactor.
- No toque el elemento calefactor con los dedos desnudos, pues los residuos de su mano podrían afectar a la vida de la lámpara. Si la toca accidentalmente, quite las marcas de los dedos con un paño suave humedecido con alcohol o una bebida espirituosa mentolada.

- No intente reparar ni ajustar ninguna función eléctrica o mecánica de este calefactor.
- El calefactor no contiene piezas que puedan ser reparadas por el usuario. En caso de que el producto sufra daños o averías, debe ser enviado al fabricante o a su agente de servicio.
- Si el cable de alimentación se daña, debe ser sustituido por el fabricante, un agente de servicio u otra persona con una cualificación similar, para evitar peligros.

Almacenamiento

Guarde el calefactor en un lugar fresco y seco cuando no lo utilice para evitar que se acumule el polvo y la suciedad. Utilice el cartón del embalaje para guardarlo.

Solución de problemas

Si el calefactor no funciona, compruebe lo siguiente antes de solicitar la reparación o servicio:

- Compruebe si el cable de alimentación está enchufado en una toma de corriente, si no lo está, enchúfelo.
- Compruebe si el fusible principal tiene electricidad.
- Cerciórese de que los interruptores de alimentación estén encendidos. Si no lo están, elija un ajuste.

MEDIOAMBIENTE



Los aparatos eléctricos o electrónicos defectuosos y/o desechados deben recogerse en lugares de reciclado apropiado.

Solo para países de la Comunidad Europea

No elimine las herramientas eléctricas como residuos domésticos. De acuerdo con la Directiva europea 2012/19/CE sobre residuos de aparatos eléctricos y electrónicos, y su transposición a las legislaciones nacionales, las herramientas eléctricas que ya no se utilizan deben recogerse por separado y eliminarse en modo ecológico.

CONDICIONES DE GARANTÍA

Los productos VONROC han sido desarrollados con los más altos estándares de calidad y VONROC garantiza que están exentos de defectos relacionados con los materiales y la fabricación durante el periodo legalmente estipulado, a contar desde

la fecha de compra original. En caso de que el producto presente defectos relacionados con los materiales y/o la fabricación durante este periodo, póngase directamente en contacto VONROC.

La presente garantía se excluye en los siguientes casos:

- Si centros de servicios no autorizados han realizado o han intentado realizar reparaciones y/o alteraciones a la máquina.
- Si se ha producido un desgaste normal.
- Si la herramienta ha sido mal tratada o usada en modo impropio, o se ha realizado incorrectamente su mantenimiento.
- Si se han utilizado piezas de repuesto no originales.

La presente constituye la única garantía implícita y explícita que ofrece la compañía. No existen otras garantías explícitas o implícitas que excedan las citadas aquí, incluidas las garantías implícitas de comerciabilidad e idoneidad para una finalidad en especial. VONROC no será considerada responsable en ningún caso por daños incidentales o consecuentes. Los recursos a disposición de los distribuidores se limitan a la reparación o a la sustitución de las unidades o piezas no conformes.

El producto y el manual de usuario están sujetos a variaciones. Las especificaciones pueden variarse sin previo aviso.

1. ISTRUZIONI DI SICUREZZA

Leggere accuratamente gli avvisi di sicurezza, gli avvisi di sicurezza aggiuntivi e le istruzioni. La mancata osservanza degli avvisi di sicurezza e delle istruzioni potrebbe causare scosse elettriche, incendio e/o gravi lesioni. Mantenere gli avvisi di sicurezza e le istruzioni a portata di mano per future consultazioni.

I seguenti simboli sono utilizzati nel presente manuale utente o sul prodotto:



Leggere il manuale per l'utente.



Indica il rischio di lesioni personali, perdita della vita o danni all'elettrodomestico in caso di mancata osservanza delle istruzioni contenute nel presente manuale.



Rischio di scosse elettriche.



Precaución: superficie caliente.



Non coprire il dispositivo.



Simbolo di messa a terra. Questo apparecchio è classificato come classe di protezione I e deve essere collegato a una presa di rete con messa a terra.



Il prodotto è conforme agli standard pertinenti in materia di sicurezza previsti dalla legislazione Europea.

REGOLE GENERALI DI SICUREZZA

QUESTE ISTRUZIONI DEVONO ESSERE LETTE ATTENTAMENTE E CONSERVATE PER CONSULTAZIONI FUTURE, il produttore non può essere ritenuto responsabile per eventuali danni causati dalla mancata osservanza delle presenti istruzioni.

Questa apparecchiatura può essere utilizzata da bambini da 8 anni nonché da persone con capacità fisiche, sensoriali o mentali o da mancanza di esperienza, se si trovano sotto sorveglianza istruzione in merito all'uso dell'apparecchiatura in modo sicuro e comprendono i rischi del caso. Accertarsi che i bambini non giochino con l'apparecchiatura. La pulizia e la manutenzione utente non deve essere eseguita da bambini senza supervisione. I bambini di età inferiore ai 3 anni devono essere tenuti a

debita distanza a meno che non siano sottoposti a supervisione continua.

I bambini di età compresa tra 3 anni e inferiore a 8 anni devono accendere/spengere l'apparecchio solo a condizione che sia stato posizionato o installato nella normale posizione di funzionamento prevista e a condizione che siano supervisionati o abbiano ricevuto istruzioni sull'utilizzo sicuro dell'apparecchio e ne comprendono i rischi associati. I bambini di età compresa tra 3 anni e inferiore a 8 anni non devono collegare, regolare e pulire l'apparecchio né eseguire la manutenzione dell'utente.

ATTENZIONE -alcune parti di questo prodotto possono surriscaldarsi in modo elevato e causare ustioni. Prestare particolare attenzione in presenza di bambini e persone vulnerabili.

ISTRUZIONI DI SICUREZZA IMPORTANTI

LEGGERE ATTENTAMENTE - Il riscaldatore a infrarossi è progettato per un funzionamento sicuro. Tuttavia, l'installazione, la manutenzione e il funzionamento del radiatore possono risultare pericolosi. L'osservanza delle seguenti procedure ridurrà il rischio di incendi, scosse elettriche, lesioni alle persone e ridurrà al minimo il tempo di installazione. Conservare le presenti istruzioni per uso futuro.

- Leggere tutte le istruzioni prima di utilizzare questo radiatore.
- Rimuovere l'unità dalla confezione e verificare che sia in buone condizioni prima dell'uso.
- Non lasciare che i bambini giochino con parti dell'imballaggio (come i sacchetti di plastica).
- Controllare la tensione domestica per assicurarsi che corrisponda alle specifiche nominali del radiatore.
- Controllare attentamente il cavo di alimentazione e la spina prima dell'uso, per assicurarsi che non siano danneggiati.
- Prima di scollegare il cavo di alimentazione, assicurarsi di spegnere l'alimentazione, quando si alimenta l'unità, assicurarsi di avere le mani asciutte per evitare scosse elettriche.
- Utilizzare il radiatore per terrazze esclusivamente all'aperto o in un ampio spazio aperto. Tenere tutti gli oggetti infiammabili come teloni, ombrelloni, rami, mobili, tende, carta ecc. a distanza da dispositivo (almeno 1 metro anche se si tratta di oggetti non fissi!). La distanza dalle pareti deve essere pari ad almeno 1 metro. La testa

- deve essere posizionata ad almeno 180 cm dal suolo. Se si posiziona il dispositivo sotto un tetto, deve esserci uno spazio di almeno 50 cm tra la calotta del radiatore per terrazze e il soffitto (non infiammabile). Con un tetto infiammabile (legno, plastica, telone ecc.), questa distanza deve essere di almeno 1 metro. Assicurare sempre una buona ventilazione!
- Non posizionare il dispositivo appena sopra o sotto una presa a muro (non nelle immediate vicinanze).
 - Il radiatore per terrazze è destinato esclusivamente all'uso domestico. Pertanto, non è consigliabile utilizzarlo nei cantieri, nelle serre, nei fienili o nelle bancarelle ecc., anche se si tratta per lo più di spazi aperti. Solitamente sono presenti troppi materiali infiammabili in quei luoghi.
 - Non utilizzare questo radiatore per terrazze per riscaldare saune o come riscaldamento permanente per spazi o ambienti chiusi.
 - Non utilizzare questo radiatore per terrazze in un canile o in qualsiasi altro luogo in cui siano presenti animali.
 - Non utilizzare vicino o nelle immediate vicinanze di una vasca da bagno o una piscina o qualsiasi fonte di liquidi. Nonostante il dispositivo sia a prova di schizzi, è necessario fare attenzione con l'acqua. Assicurarsi che non possa cadere in acqua e non esporlo a potenti getti d'acqua. Non toccarlo con le mani bagnate e non posizionare il dispositivo nell'area immediatamente attigua a una vasca da bagno, un bagno, una piscina o altra fonte d'acqua, poiché potrebbe risultare pericoloso.
 - Per proteggersi dalle scosse elettriche, non immergere il cavo o la spina in acqua o in qualsiasi altro liquido.
 - Non inserire né consentire l'ingresso di oggetti estranei nelle aperture di ventilazione o di scarico, poiché ciò potrebbe causare scosse elettriche, incendi o danni al radiatore.
 - Assicurarsi che vi sia una quantità sufficiente di luce. Gli interruttori sul dispositivo devono essere adeguatamente visibili da una distanza di 1 metro.
 - Scollegare sempre il radiatore quando non è in uso. Non lasciare mai il dispositivo incustodito quando è in uso; ricordarsi di spegnerlo e scollegarlo. Non utilizzare il dispositivo con un programmatore, un timer o qualsiasi altro dispositivo che accenda automaticamente il dispositivo.
 - Non utilizzare il radiatore con un regolatore di tensione esterno come un commutatore, regolatore di velocità, ecc. Così facendo potrebbe insorgere un rischio elettrico.
 - Assicurarsi che il cavo non penda su bordi (affilati), non formi curve sporgenti e non tocchi superfici calde. Non avvolgere il cavo attorno al dispositivo.
 - Non lasciare che il cavo sporga dal piano di lavoro dove può essere facilmente tirato dai bambini.
 - Non inserire le dita od oggetti estranei nella griglia durante il funzionamento.
 - Non lasciare l'apparecchio incustodito quando è in uso.
 - Questo radiatore non è destinato per l'uso in bagno, lavanderia e luoghi interni simili, non posizionare mai il radiatore dove potrebbe cadere in una vasca da bagno o in un altro contenitore d'acqua.
 - Non può essere accettata alcuna responsabilità per eventuali danni causati dal mancato rispetto delle presenti istruzioni o da qualsiasi altro uso improprio o manomissione.
 - Questo apparecchio può essere utilizzato da bambini di età pari o superiore a 8 anni e da persone con ridotte capacità fisiche, sensoriali o mentali o con mancanza di esperienza e conoscenza se sono stati supervisionati o istruiti sull'uso dell'apparecchio in modo sicuro e comprendono i pericoli coinvolti. I bambini non devono giocare con l'apparecchio. La pulizia e la manutenzione dell'utente non devono essere eseguite da bambini senza supervisione.
 - Se, per qualsiasi motivo, il dispositivo produce crepe o rotture, o se si riscontrano imperfezioni o interruzioni al corpo in alluminio o a qualsiasi altra parte, interrompere immediatamente il funzionamento del dispositivo e staccare la spina dalla presa.
 - Se il cavo di alimentazione è danneggiato in qualsiasi modo, deve essere sostituito dal costruttore, da un suo rappresentante addetto all'assistenza o da altre persone con qualifica simile al fine di evitare rischi per la sicurezza.
 - Per evitare il surriscaldamento di questo apparecchio, mantenere gli ingressi e le uscite dell'aria puliti e liberi da qualsiasi cosa che possa causarne il blocco. Controllare tutti gli ingressi e le uscite di tanto in tanto per assicurarsi che siano liberi da accumuli di polvere o sporcizia. **NON COPRIRLI.** L'etichetta di avvertenza di non coprire il dispositivo deve essere posta in un luogo ben vi-

sibile anche dopo l'installazione: non deve quindi trovarsi sul retro.

- Alcune parti del radiatore potrebbero superare i 200°C, il contatto con il tubo di riscaldamento, il riflettore o le parti metalliche vicino al tubo di riscaldamento può causare USTIONI gravi. Per evitare ustioni, non lasciare che la pelle nuda entri a contatto con la superficie incandescente.
- Non mettere MAI le mani sotto gli elementi riscaldanti. Lasciare SEMPRE raffreddare l'elemento riscaldante per almeno 10 minuti prima di toccare il tubo di riscaldamento o le parti adiacenti.
- Non conservare liquidi o materiali combustibili come vernice, benzina, serbatoi di gas ecc. nelle immediate vicinanze del dispositivo. Non utilizzare il dispositivo in ambienti infiammabili, come nei pressi di serbatoi di gas combustibili, tubi del gas o bombolette spray. Pericolo di esplosione e di incendio!
- Questo prodotto contiene materiali riciclabili. Non smaltire questo prodotto tra i rifiuti comunitari indifferenziati. Si prega di contattare le autorità locali per il punto di raccolta più vicino.

Sicurezza elettrica



Controllare sempre che la tensione di alimentazione corrisponda alla tensione indicata sulla targhetta delle caratteristiche.

- Non utilizzare l'elettrotensile quando il cavo o la spina di alimentazione sono danneggiati.
- Utilizzare esclusivamente cavi di prolunga idonei per la potenza nominale dell'elettrotensile, con conduttori di sezione minima di 1,5 mm². Quando si utilizza un cavo di prolunga con avvolgicavo, svolgere sempre completamente il cavo.

2. INFORMAZIONI RELATIVE ALL'ELETTROUTENSILE

Destinazione d'uso

Questo prodotto è concepito come stufa da esterno per ambienti domestici. Il riscaldatore è destinato a giardini privati o altre aree esterne della casa. Il riscaldatore non può essere utilizzato per riscaldare uno spazio interno, per essere utilizzato come riscaldatore per ambienti esterni non domestico o per asciugare tessuti o altri materiali. Questa stufa non è dotata di un dispositivo per controllare la temperatura ambiente, quindi non usare questa stufa in spazi quando sono occupati da persone che non sono in grado di

lasciare la stanza da sole, a meno che non sia fornita una supervisione costante. Il dispositivo deve essere utilizzato solo per lo scopo prescritto. Qualsiasi altro utilizzo è considerato un caso di uso improprio.

DATI TECNICI

No. modello	PH511AC
Tensione	220-240 V ~
Frequenza	50-60 Hz
Potenza	2200W
Impostazioni di potenza	1: 730W 2: 1460W 3: 2200W
Tipo di elemento riscaldante	Quarzo
Tempo di riscaldamento	20 secondi
Lunghezza d'onda	1,4-3,0
Efficienza radiante	60%
Distanza di riscaldamento	3-4m
Area di riscaldamento	15m ²
Soft start elettronico	Si
Classe di protezione dagli ingressi	IP34
Classe di protezione	Classe I
Peso	1,50 kg

DESCRIZIONE

I numeri che compaiono nel testo si riferiscono agli schemi riportati alle pagine 2-4.

1. Radiatore
2. Griglia protettiva
3. Indicatore del livello di potenza
4. Cavo di alimentazione
5. Interruttore a tirante (accensione/spengimento)
6. Tubo superiore
7. Reggicavo piccolo
8. Tubo centrale
9. Reggicavo grande
10. Tubo inferiore
11. Coperchio
12. Piastra di base
13. Vite lunga
14. Vite corta
15. Anello di bloccaggio
16. Tubo estensibile
17. Viti

3. MONTAGGIO



Questo radiatore deve essere installato da una persona competente, ad es. un elettricista qualificato.



Scollegare sempre il radiatore dalla rete elettrica e lasciarlo raffreddare prima dell'installazione.

Assemblaggio del radiatore (Fig. B-F)



Montare sempre il dispositivo con gli accessori in dotazione.

Prima di iniziare l'installazione del dispositivo, tenere presente quanto segue:

- Posizionare il dispositivo su una superficie stabile e piana. Non appendere mai il dispositivo da un angolo!
 - Il dispositivo deve essere posizionato lasciando 100 cm di spazio libero tra il radiatore e l'oggetto o la parete, misurati dalla parte anteriore o laterale. Tra il suolo e la parte inferiore del dispositivo occorre prevedere una distanza di almeno 1,80 m. Tra il dispositivo e il soffitto occorre prevedere uno spazio libero di almeno 30 cm.
 - Non installare il radiatore sopra o nei pressi di una superficie infiammabile.
 - Se il radiatore deve essere utilizzato all'esterno, è fortemente raccomandato l'impiego di una presa elettrica resistente agli agenti atmosferici.
 - Prima di eseguire fori in una parete, assicurarsi che non vi siano cavi o tubi dell'acqua nell'area in cui deve essere installato il radiatore.
1. Iniziare a fissare il tubo inferiore (10) sulla piastra di base (12). Serrare le viti lunghe (13), come illustrato nella Figura B.
 2. Far scorrere il coperchio (11) sul tubo inferiore (10), come mostrato nella Figura B. In questo modo le viti (13) saranno nascoste alla vista.
 3. Prendere un reggicavo grande (9) e posizionarlo sul tubo centrale (8), come illustrato nella Figura C.
 4. A questo punto inserire il tubo centrale (8) sul tubo inferiore (10). Assicurarsi che i fori in entrambi i tubi siano allineati. Ora serrare le viti corte (14), come illustrato nella Figura C.
 5. Prendere un reggicavo grande (9) e posizionarlo sul tubo superiore (6), come illustrato nella

Figura D.

6. A questo punto inserire il tubo superiore (6) sul tubo centrale (18). Assicurarsi che i fori in entrambi i tubi siano allineati. Ora serrare le viti corte (14), come illustrato nella Figura D.
7. Allentare l'anello di bloccaggio (15) sul tubo superiore (6) ruotandolo in senso antiorario. Ora è possibile estendere il tubo estensibile (16) verso l'alto tirandolo.
8. Una volta raggiunta l'altezza desiderata, stringere di nuovo l'anello di fissaggio (15) sul tubo superiore (6) ruotandolo in senso orario.
9. Prendere un reggicavo piccolo (7) e posizionarlo sul tubo estensibile (16), come illustrato nella Figura D.
10. Far scorrere il foro nella parte inferiore del radiatore (1) sul tubo estensibile (16), come illustrato nella Figura E.
11. Assicurarsi che i due fori presenti nel radiatore (1) siano allineati con i fori del tubo estensibile (16).
12. A questo punto fissare il radiatore (1) in posizione stringendo le viti (17) nei fori del tubo estensibile (16) e dunque il radiatore.
13. Fissare il cavo di alimentazione (4) utilizzando il reggicavo piccolo (7) e il reggicavo grande (9). Vedere la Figura F.
14. Inclinare il dispositivo fino all'angolo desiderato. Il dispositivo può essere inclinato verso il basso di 45°, come mostrato nella Figura G.

4. FUNZIONAMENTO

Accensione e spegnimento (Fig. A)

Il radiatore può essere acceso e spento con l'interruttore a tirante. Tirare la cordicella dell'interruttore a tirante (5) fino a quando comparirà il livello di calore desiderato sull'indicatore del livello di potenza (3):

- livello 0 = Dispositivo spento
- livello 1 = 730 W
- livello 2 = 1460 W
- livello 3 = 2200 W

Per spegnere il radiatore tirare la cordicella dell'interruttore a tirante (5) fino alla posizione del livello 0.

Interruttore di sicurezza in caso di ribaltamento (Fig. A)

Questo riscaldatore è dotato di un interruttore di sicurezza in caso di ribaltamento. In caso di caduta del riscaldatore, esso si spegne automaticamente.

Tenere presente che dopo avere riportato il riscaldatore in posizione verticale, esso non riprenderà immediatamente a funzionare. Innanzitutto, spegnere il riscaldatore (leggere la sezione "Accensione e spegnimento"), staccare la spina dalla presa di corrente e verificare che l'apparecchio non sia danneggiato. In caso di danni o malfunzionamento non utilizzare l'apparecchio e farlo controllare / riparare. In assenza di danni è possibile riaccendere semplicemente il riscaldatore (leggere la sezione "Accensione e spegnimento").

5. MANUTENZIONE



Assicurarsi sempre che la macchina non sia collegata alla rete elettrica quando si esegue una qualsiasi manutenzione del meccanismo.



ATTENZIONE: *Rischio di scossa elettrica. NON aprire né tentare di riparare da soli il radiatore*

Pulire regolarmente il corpo dell'elettrodomestico con un panno morbido, preferibilmente dopo ogni uso. Assicurarsi che le prese d'aria siano libere da polvere e sporcizia. Rimuovere lo sporco particolarmente ostinato con un panno morbido inumidito con acqua e sapone. Non utilizzare solventi come benzina, alcol, ammoniaca, ecc. Le sostanze chimiche di questo tipo danneggiano i componenti sintetici.

- NON usare alcol, benzina, polveri abrasive, lucido per mobili o spazzole ruvide per pulire il radiatore. Ciò potrebbe causare danni o deterioramento alla superficie del radiatore.
- NON immergere il radiatore nell'acqua
- Attendere che il radiatore sia completamente asciutto prima dell'uso.

ATTENZIONE:

- Scollegare sempre il radiatore dalla rete elettrica e lasciarlo raffreddare prima di tentare di pulirlo.
- Se il radiatore ha accumulato polvere o sporcizia all'interno dell'unità o attorno all'elemento riscaldante, far pulire l'unità da un tecnico dell'assistenza qualificato. Non utilizzare il radiatore in questa condizione.
- L'unica manutenzione richiesta è la pulizia delle superfici esterne del radiatore.
- Non toccare l'elemento riscaldante a mani nude, poiché eventuali residui presenti sulla mano potrebbero compromettere la durata della

lampada. Se viene toccato accidentalmente, rimuovere le impronte con un panno morbido inumidito con alcol mentolato.

- Non tentare di effettuare la riparazione o regolazione delle funzioni elettriche o meccaniche di questo radiatore.
- Il radiatore non contiene parti riparabili dall'utente. Se il prodotto subisce danni o guasti, deve essere restituito al produttore o al suo rappresentante addetto all'assistenza.
- I cavi di alimentazione danneggiati devono essere sostituiti dal costruttore, da un suo rappresentante addetto all'assistenza o da altre persone con qualifica simile al fine di evitare rischi per la sicurezza.

Stoccaggio

Conservare il radiatore in un luogo fresco e asciutto quando non viene utilizzato per evitare l'accumulo di polvere e sporco. Utilizzare il cartone di imballaggio per lo stoccaggio.

Risoluzione dei problemi

In caso di mancato funzionamento del radiatore, controllare quanto segue prima di richiedere la riparazione o l'assistenza:

- Controllare che il cavo di alimentazione sia collegato a una presa elettrica, altrimenti collegarlo
- Controllare che l'elettricità del fusibile principale funzioni
- Assicurarsi che gli interruttori di alimentazione siano accesi. In caso contrario, scegliere un'impostazione

AMBIENTE



Le apparecchiature elettriche o elettroniche difettose e/o scartate devono essere raccolte presso gli opportuni siti di riciclaggio.

Solo per i Paesi CE

Non smaltire gli elettrodomestici insieme ai rifiuti domestici. Secondo la Direttiva europea 2012/19/ EC sui rifiuti delle apparecchiature elettriche ed elettroniche e relativa implementazione nelle normative locali, gli elettrodomestici ormai inutilizzabili devono essere raccolti separatamente e smaltiti in modo ecologico.

DEFINIZIONI DELLA GARANZIA

I prodotti VONROC sono sviluppati secondo i più elevati standard di qualità e viene garantita l'assenza di difetti nei materiali e nella manodopera per il periodo contrattuale a partire dalla data di acquisto originale. Qualora il prodotto dovesse subire un guasto qualsiasi durante questo periodo a causa di difetti nei materiali e/o nella manodopera, si prega di contattare direttamente il VONROC.

Le seguenti circostanze sono escluse da questa garanzia:

- Riparazioni e/o modifiche alla macchina sono state eseguite o tentate da centri di assistenza non autorizzati.
- Normale usura.
- L'utensile è stato abusato, utilizzato o manutenu- to in modo improprio.
- Sono state utilizzate parti di ricambio non originali

Ciò costituisce l'unica garanzia espressa o implicita fornita dall'azienda. Non esistono altre garanzie espresse o implicite che si estendono oltre il presente documento, ivi comprese le garanzie implicite di commerciabilità e idoneità per uno scopo particolare. In nessun caso VONROC sarà responsabile di eventuali danni incidentali o consequenziali. I rimedi dei rivenditori saranno limitati alla riparazione o sostituzione di unità o parti non conformi.

Il prodotto e il manuale per l'utente sono soggetti a modifiche. I dati tecnici possono essere modificati senza ulteriore notifica.

1. SÄKERHETSFÖRESKRIFTER

Läs de medföljande säkerhetsvarningarna, de tillkommande säkerhetsvarningarna och anvisningarna. Om inte säkerhetsvarningarna och anvisningarna följs kan detta orsaka elstöt, brand och/eller allvarliga kroppsskador. Behåll säkerhetsvarningarna och anvisningarna för framtida bruk.

Följande symboler används i bruksanvisningen eller på produkten:



Läs igenom bruksanvisningen.



Anger risk för personskada, dödsfall eller skada på verktyget om anvisningarna i denna handbok inte följs.



Risk för elstöt.



Varning het yta!



Täck inte över enheten.



Jordningssymbol. Denna apparat är klassad som skyddsklass I och måste anslutas till ett jordat eluttag.



Produkten uppfyller gällande säkerhetsnormer i EU-direktiven.

**ALLMÄNNA SÄKERHETSFRSKRIFTER
DESSA INSTRUKTIONER BÖR LÄSAS NOGA OCH
BEVARAS FÖR FRAMTIDA REFERENS, Tillverkaren
kan inte hållas ansvarig för skador orsakade av att
dessa instruktioner inte följts.**

Denna apparat kan användas av barn från 8 år och personer med nedsatt fysisk eller psykisk förmåga eller bristande erfarenhet eller kunskap, om de övervakas eller får instruktioner om hur apparaten används på ett säkert sätt och är medvetna om riskerna. Barn får inte leka med apparaten. Rengöring och användarunderhåll ska inte utföras av barn utan övervakning.

Barn under 3 år bör hållas borta om de inte övervakas kontinuerligt. Barn från 3 år och under 8 år får endast slå på/stänga av apparaten under förutsättning att den har placerats eller installerats i dess avsedda normala driftläge och de har tillsyn eller

fått instruktioner om hur man använder apparaten på ett säkert sätt och förstår riskerna. Barn från 3 år och yngre än 8 år får inte koppla in, reglera och rengöra apparaten eller utföra användarunderhåll.

FÖRSIKTIGHET — Vissa delar av denna apparat kan bli mycket varma och orsaka brännskador. Var särskilt uppmärksam om barn och känsliga personer är närvarande.

VIKTIGA SÄKERHETSANVISNINGAR

LÄS NOGA - den infraröda värmaren är konstruerad för säker drift. Ändå kan installation, underhåll och drift av värmaren vara farlig. Att följa följande procedurer minskar risken för brand, elstöt, personskada och håller installationstiden till ett minimum. Spara dessa instruktioner för framtida behov.

- Läs alla instruktioner innan du använder värmaren.
- Ta ut enheten ur förpackningen och kontrollera att den är i gott skick innan du använder den.
- Låt inte barn leka med delar av förpackningen (t.ex. plastpåsar).
- Kontrollera nätspänningen för att säkerställa att den överensstämmer med värmaren.
- Kontrollera nätsladden och kontakten noggrant innan du använder dem för att se till att de inte skadas.
- Innan du drar ur nätsladden, se till att stänga av strömmen. Se till att händerna är torra för att förhindra elektrisk stöt.
- Använd endast terrassvärmaren utomhus eller i ett stort öppet utrymme. Förvara alla brandfarliga föremål som presenningar, parasoller, grenar, möbler, gardiner, papper etc. ur vägen för enheten (minst 1 meter även om de är om de inte är stationära föremål!). Avståndet till väggarna måste vara minst 1 meter. Huvudet måste vara placerat minst 180 cm över marken. Om du placerar enheten under ett tak måste det finnas ett utrymme på minst 50 cm mellan locket på terrassvärmaren och det (icke brännbara) taket. Med ett brandfarligt tak (trä, plast, presenning etc.) måste detta avstånd vara minst 1 meter. Tillsä tillid till god ventilation!
- Placera inte enheten precis ovanför eller under ett vägguttag (inte i omedelbar närhet).
- Terrassvärmaren är endast avsedd för användning i hemmet. Du bör därför inte använda den på byggarbetsplatser, i växthus, ladugårdar eller spiltor, även om de till stor del är öppna. Det finns vanligtvis för mycket brandfarligt material där.

- Använd inte denna terrassvärmare som bastuuppvärmning eller som permanent värmeelement.
- Använd inte denna terrassvärmare i en kennel eller någon annan plats där djur finns.
- Använd inte i närheten av ett badkar, en pool eller någon vätskekälla. Trots att enheten är stänksäker måste du vara försiktig med vatten. Se till att den inte kan falla i vattnet och utsätt den inte för kraftiga vattenstrålar. Rör inte vid den med våta händer och placera inte enheten i området omedelbart runt ett badkar, tvätttrum, pool eller annan vattenförsörjning, eftersom det är farligt.
- För att skydda mot elektriska stötar får du inte sänka ner sladden eller plugga in den i vatten eller någon annan vätska.
- Sätt inte in eller låt främmande föremål tränga in i ventilation eller avgasöppningar, eftersom det kan orsaka elektrisk stöt, brand eller skada på värmaren.
- Se till att det finns tillräckligt med ljus. Strömbrytarna på enheten måste vara ordentligt synliga från en meters avstånd.
- Koppla alltid bort värmaren när den inte används. Lämna aldrig enheten utan tillsyn när den används, utan stäng av den och dra ur kontakten. Använd inte enheten med en programmeringsanordning, timer eller någon annan enhet som slår på enheten automatiskt.
- Använd inte värmaren med en extern spänningsregulator som dimmer, hastighetsregulator etc. Detta medför en elektrisk risk.
- Se till att sladden inte hänger över (vassa) kanter, inte böjs kraftigt, inte vidrör heta ytor. Vira inte sladden runt enheten.
- Låt inte sladden hänga över bänkskivan där den lätt kan dras i av barn.
- Lagg inte fingrar eller främmande föremål i värmeelementet medan den är i drift.
- Lämna aldrig apparaten utan uppsikt när den används.
- Denna värmare är inte avsedd för användning i badrum, tvättstugor och liknande platser inomhus, placera aldrig värmaren där den kan hamna i ett badkar eller någon annan vattenbehållare.
- Inget ansvar kan godtas för skador orsakade av bristande efterlevnad av dessa instruktioner eller annan felaktig användning eller felaktig hantering.

- Denna apparat kan användas av barn från 8 år och uppåt och personer med nedsatt fysisk, sensorisk eller mental förmåga eller bristande erfarenhet och kunskap om de har fått tillsyn eller instruktioner om hur apparaten ska användas på ett säkert sätt och förstår farorna. Inblandade. Barn får inte leka med apparaten. Rengöring och underhåll av användare får inte utföras av barn utan tillsyn. • Om enheten av någon anledning orsakar sprickor eller brott, eller om du upptäcker brister eller brott i aluminiumhöljet eller någon annan del, ska du omedelbart stoppa enheten och ta ut kontakten ur uttaget.
- Om en strömssladd är skadad på något sätt måste den bytas ut tillverkaren, tillverkarens serviceombud eller liknande kvalificerad personal för att undvika fara.
- För att förhindra överhettning av denna apparat, håll luftenlopp och utlopp rena och fria från allt som kan orsaka blockering. Kontrollera alla inlopp och utlopp då och då för att säkerställa att de är fria från smuts eller damm. **TÄCK INTE.** Varningsetiketten måste också placeras på ett tydligt synligt ställe efter installationen och får inte täcka enheten: den ska därför inte vara på baksidan.
- Delar av värmaren kan överstiga 200°C, kontakt med värmeröret, reflektorn eller metalldelar nära värmeröret kan orsaka allvarliga brännskador. Låt inte bar hud komma i kontakt med den heta ytan för att undvika brännskador.
- Placera ALDRIG händerna under värmeelementen. Låt ALLTID värmeelementet svalna minst 10 minuter innan du rör vid värmeröret eller intilliggande delar.
- Förvara inga brännbara vätskor eller material som färg, bensin, bensintankar etc. i enhetens omedelbara närhet. Använd inte enheten i lättantändlig miljö, såsom närliggande brännbara gastankar, gasrör eller sprayburkar. Risk för explosion och brand!
- Denna produkt innehåller återvinningsbara material. Kasta inte denna produkt som osorterat hushållsavfall. Kontakta din lokala myndighet för närmaste återvinningsställe.
- Om elverktygets nätkabel är skadad måste den bytas ut mot en speciellt förberedd nätsladd som finns tillgänglig via serviceorganisationen.
- Använd endast förlängningskablar som är lämpliga för maskinens effektvärde med ett minimum tjocklek 1,5 mm². Om du använder en förlängningskabelrulle ska du alltid rulla ur kabeln helt.

2. MASKININFORMATION

Avsedd användning

Denna produkt är utformad som en uteplatsvärmare för hemmamiljöer. Värmaren är avsedd för privata trädgårdar eller andra utomhusområden hemma. Värmaren får inte användas för att värma ett inomhusutrymme, användning som en utomhusvärmare eller för torkning av textilier eller andra material. Denna värmare är inte utrustad med en anordning för att reglera rumstemperaturen, så använd inte denna värmare i utrymmen när de är upptagna av personer som inte kan lämna rummet på egen hand, såvida inte konstant tillsyn ges. Enheten ska endast användas för det föreskrivna syftet. All annan användning anses vara ett fall av missbruk.

TEKNISKA SPECIFIKATIONER

Modell nr	PH511AC
Spänning	220–240 V ~
Frekvens	50–60 Hz
Effekt	2200W
Effektinställningar	1: 730W 2: 1460W 3: 2200W
Värmeelement typ	Kvarts
Uppvärmningstid	20 sekunder
Våglängd	1,4–3,0
Strålningseffektivitet	60%
Uppvärmningsavstånd	3–4m
Värmeområde	15m ²
Elektronisk mjukstart	Ja
Kapslingsklass	IP34
Skyddsklass	Klass I
Vikt	1,50 kg

Elsäkerhet



Kontrollera alltid att strömförsörjningens spänning motsvarar spänningen på typskylten.

BESKRIVNING

Siffrorna i texten nedan hänvisar till bilderna på sidorna 2-4.

1. Värmare
2. Skyddsgaller
3. Strömnivåindikator
4. Strömkabel
5. Dragsnöre (strömbrytare)
6. Övre rör
7. Liten kabelhållare
8. Mellanrör
9. Stor kabelhållare
10. Nedre rör
11. Skydd
12. Basplatta
13. Lång bult
14. Kort bult
15. Klämring
16. Utdragbart rör
17. Skruvar

3. MONTERING



Värmaren ska installeras av en behörig person, dvs. en kvalificerad elektriker.



Koppla alltid bort värmaren från eluttaget och låt den svalna före installationen.

Montering av värmaren (fig. B-F)



Montera alltid enheten med de medföljande tillbehören.

Innan du påbörjar installationen bör du ta hänsyn till följande:

- Placera enheten på en stabil och plan yta. Enheten får aldrig hängas i vinkel!
- Apparaten ska placeras så att det finns 100 cm fritt utrymme mellan värmaren och föremålet eller väggen, mätt framifrån eller från sidan. Det måste finnas minst 1,80 m mellan marken och enhetens undersida. Det måste finnas minst 30 cm avstånd mellan enheten och taket.
- Installera inte värmaren nära en lättantändlig yta.
- Om värmaren ska användas utomhus rekommenderas ett väderbeständigt uttag.
- Innan du borrar, se till att det inte finns några ledningar eller vattenledningar i det område där värmaren ska installeras.

1. Starta genom att montera parallellslaget (10) på basplattan (12). Dra åt de långa bultarna (13) enligt figur B.
2. Skjut in skyddet (11) på det nedre röret (10) som visas på figur B. Detta kommer att dölja bultarna (13) från sikt.
3. Ta en stor kabelhållare (9) och sätt den på mellanröret (8) som visas i figur C.
4. Sätt nu mellanröret (8) på det nedre röret (10). Se till att hålen i båda rören är i linje. Dra nu åt med de korta bultarna (14) enligt figur C.
5. Ta en stor kabelhållare (9) och sätt den på det övre röret (6) som visas i figur D.
6. Sätt nu det övre röret (6) på mellanröret (8). Se till att hålen i båda rören är i linje. Dra nu åt med de korta bultarna (14) enligt figur D.
7. Lossa klämringen (15) på det övre röret (6) genom att vrida den moturs. Nu kan det utdragbara röret (16) förlängas uppåt genom att dra i det.
8. När önskad höjd uppnåtts, räta upp klämringen (15) på det övre röret (6) genom att vrida den medurs.
9. Ta en liten kabelhållare (7) och sätt den på det utdragbara röret (16) som visas i figur D.
10. Skjut hålet på undersidan av värmaren (1) på det utdragbara röret (16) som visas i figur E.
11. Se till att de två hålen i värmaren (1) är i linje med hålen i det utdragbara röret (16).
12. Fäst nu värmaren (1) på plats genom att dra åt skruvarna (17) i hålen på det utdragbara röret (16) och därmed värmaren.
13. Fäst strömkabeln (4) med den lilla kabelhållaren (7) och de stora kabelhållarna (9). Se figur F.
14. Luta enheten till önskat läge. Enheten kan lutas ned 45°, som visas i figur G.

4. DRIFT

På-/avstängning (bild A)

Värmaren kan endast slås på och av med dragsnöret. Dra i snöret till dragbrytaren (5) tills önskad värmenivå visas på värmenivåindikatorn (3):

- Nivå 0 = avstängd
- Nivå 1 = 730 W
- Nivå 2 = 1460 W
- Nivå 3 = 2200 W

För att stänga av värmaren, dra i snöret till dragbrytaren (5) till 0-läge.

Säkerhetsbrytare för vältning (bild A)

Denna värmare är försedd med en säkerhetsbrytare för vältning. I händelse av att värmaren välter, stängs värmaren av automatiskt. Observera att när värmaren återställs till sitt upprätt läge börjar den inte fungera igen omedelbart. Stäng först av den (läs "slå på/av"), dra ut stickkontakten ur uttaget och kontrollera om värmaren är skadad. Vid skada eller funktionsstörning använd inte utan lämna in för kontroll/repairation. Om det inte finns några skador kan du helt enkelt slå på värmaren igen (läs "slå på/av").

5. UNDERHÅLL



Se alltid till att maskinen inte är ansluten till elnätet när du utför underhåll av mekanismen.



FÖRSIKTIGHET: Risk för elstöt. Försök INTE öppna eller reparera värmaren själv

Rengör maskinens hus regelbundet med en mjuk trasa, helst efter varje gång du använder maskinen. Se till att ventilationsöppningarna är fria från damm och smuts. Ta bort envis smuts med en mjuk trasa fuktad med tvållösning. Använd inte lösningsmedel som bensin, alkohol, ammoniak osv. Sådana kemikalier skadar de syntetiska komponenterna.

- Använd INTE alkohol, bensin, slipande pulver, möbelpolish eller grova borstar för att rengöra värmaren. Detta kan orsaka skada eller försämring av värmarens yta.
- Sänk ALDRIG värmaren i vatten.
- Vänta tills värmaren är helt torr före användning.

OBS!:

- Koppla alltid bort värmaren från eluttaget och låt den svalna innan du rengör den.
- Om värmaren har samlat damm eller smuts inuti enheten eller runt värmeelementet, måste enheten rengöras av en kvalificerad servicetekniker. Använd inte värmaren i detta tillstånd.
- Det enda underhåll som krävs är rengöring av värmarens yttre ytor.
- Rör inte vid värmeelementet med bara fingrar, eftersom rester från handen kan påverka lampans livslängd. Vid oavsiktlig beröring avlägsnar du fingermärkena med en mjuk trasa fuktad med menthol eller alkohol.
- Försök inte reparera eller justera några elektriska eller mekaniska funktioner på denna värmare.

- Värmaren innehåller inga delar som kan repareras av användaren. Om produkten skadas eller går sönder, måste den returneras till tillverkaren eller dess serviceagent.
- Om en strömsladd är skadad måste den bytas av tillverkaren, tillverkarens serviceombud eller liknande kvalificerad personal för att undvika fara.

Förvaring

Förvara värmaren på en sval, torr plats när den inte används för att förhindra att damm och smuts byggs upp. Använd förpackningskartongen för att lagra den.

Felsökning

Om värmaren inte fungerar ska du kontrollera följande innan du söker reparation eller service:

- Kontrollera om nätsladden är ansluten till ett eluttag, om inte, anslut den
- Kontrollera om elen till huvudsäkringens fungerar
- Se till att strömbrytarna är på. Om inte, välj en inställning

MILJÖ



Felaktig och/eller kasserad elektrisk eller elektronisk utrustning måste lämnas in på lämpliga återvinningsstationer.

Endast för EU-länder

Släng inte elverktyg i hushållsavfallet. Enligt det europeiska WEEE-direktivet 2012/19/EU för avfall från elektrisk och elektronisk utrustning och dess tillämpning nationellt ska elverktyg som inte längre kan användas samlas in separat och kasseras på ett miljövänligt sätt.

GARANTI

VONROC produkter är utvecklade enligt högsta kvalitetsstandard och garanteras vara utan defekter både vad gäller material och tillverkning under den period som stipuleras enligt lag med början från ursprungligt inköpsdatum. Om något fel uppstår på produkten under denna period på grund av material- och/eller tillverkningsfel skall VONROC kontaktas direkt.

Följande omständigheter exkluderas från denna garanti:

- Reparationer eller ändringar som gjorts eller försökt göras på maskinen av ett icke auktoriserat företag.

rat servicecenter.

- Normalt slitage.
- Verktøjet har misbrugats, anvænts fel eller underhållits på felaktigt sätt.
- Icke-originalreservdelar har anvænts.

Detta utgör hela garantin från företaget, antingen uttryckt eller underförstått. Det finns inga andra garantier, uttalade eller underförstådda som gäller utöver ordalydelsen härav, häri, inklusive de uttalade garantierna för säljbarhet och lämplighet för ett särskilt syfte. Under inga omständigheter skall VONROC hållas ansvarig för några oförutsedda eller indirekta skador. Återförsäljarens åtgärder skall begränsas till reparation eller byte av felaktiga enheter eller delar.

Med förbehåll för ändringar i produkten och bruksanvisningen. Specifikationer kan ändras utan förvarning.

1. SIKKERHEDSANVISNINGER

Læs de medfølgende sikkerhedsadvarsler, de supplerende sikkerhedsadvarsler og instruktionerne. Såfremt sikkerhedsadvarsler og instruktioner ikke følges, kan dette medføre elektriske stød, brand og/eller alvorlige ulykker. Gem alle sikkerhedsadvarsler og instruktioner til fremtidig reference.

Følgende symboler anvendes i denne brugermanual eller på produktet:



Læs brugermanualen.



Angiver risiko for personskade, dødsfald eller beskadigelse af varmeren i tilfælde af manglende overholdelse af anvisningerne i denne vejledning.



Risiko for elektrisk stød.



Forsigtig: varm overflade!



Dæk ikke enheden til.



Jordforbindelse symbol. Dette apparat er klassificeret som beskyttelsesklasse I og skal tilsluttes en jordet stikkontakt.



Produktet overholder de gældende sikkerhedsstandarder i de europæiske direktiver.

**GENERELLE SIKKERHEDSFORSKRIFTER
DISSE INSTRUKTIONER SKAL LÆSES OMHYGGELIGT OG GEMMES TIL FREMTIDIG REFERENCE,
Producenten kan ikke holdes ansvarlig for skader forårsaget af manglende overholdelse af disse instruktioner.**

Dette apparat kan anvendes af børn på 8 år og derover samt af personer med nedsatte fysiske, sensoriske eller mentale evner eller manglende erfaring og viden, hvis de holdes under opsyn eller har fået vejledning i at bruge apparatet på en sikker måde og forstår de dermed forbundne risici. Børn må ikke lege med apparatet. Rengøring og brugervedligeholdelse må ikke udføres af børn uden opsyn.

Børn under 3 år bør holdes væk, medmindre de er under konstant opsyn. Børn fra 3 år og under

8 år må kun tænde/slukke for apparatet, hvis det har været placeret eller installeret i dets tilsigtede normale driftsposition, og de har fået tilsyn eller instruktion om brug af apparatet på en sikker måde og forstår de involverede farer. Børn under 8 år må ikke tilslutte, regulere og rengøre apparatet eller udføre brugervedligeholdelse.

FORSIGTIG — nogle dele af dette produkt kan blive meget varme og forårsage forbrændinger. Man skal især være opmærksom, hvis der er børn og sårbare personer til stede.

VIGTIGE SIKKERHEDSANVISNINGER

LÆS OMHYGGELIGT - Den infrarøde varmer er udviklet til sikker betjening. Ikke desto mindre kan varmeinstallation, vedligeholdelse og betjening være farlig. Overholdelsen af de følgende procedurer reducerer risikoen for brand, elektrisk stød, personskade og holder installationstiden på et minimum. Gem disse instruktioner til fremtidig brug.

- Læs alle instruktioner, inden du bruger denne varmer.
- Tag enheden ud af dens emballage, og kontroller, at den er i god stand inden brug.
- Lad ikke børn lege med emballagedele (såsom plastikposer).
- Kontrollér husstandens spænding for at sikre, at den svarer til varmerens nominelle specifikation.
- Kontrollér netledningen og stikket omhyggeligt inden brug, for at sikre, at de ikke er beskadigede.
- Før du trækker netledningen ud, skal du sørge for at slukke for strømmen, og når du tænder for enheden, skal du sørge for, at dine hænder er tørre, for at forhindre elektrisk stød.
- Brug kun terrassevarmeren udendørs eller i et stort åbent område. Hold alle brændbare genstande som presenninger, parasoller, grene, møbler, gardiner, papir osv. væk fra enheden (mindst 1 meter – også hvis det drejer sig om ikke-stationære genstande!). Der skal være en afstand til væggene på mindst 1 meter. Hovedet skal befinde sig mindst 180 cm over jorden. Hvis du placerer enheden under et tag, skal der være en afstand på mindst 50 cm mellem terrassevarmerens hætte og det (ikke-brændbare) loft. Med et brændbart tag (træ, plast, presenning osv.) skal denne afstand være mindst 1 meter. Sørg altid for god udluftning!
- Placer ikke enheden lige over eller under en stikkontakt (ikke umiddelbart i nærheden).

- Terrassevarmeren er kun beregnet til husholdningsbrug. Du bør derfor ikke bruge den på byggepladser, i drivhuse, lader eller boder osv., selvom hvis de er ret åbne. Der er normalt for meget brændbart materiale på disse steder.
- Brug ikke denne terrassevarmer til at oplade en sauna eller som en permanent område- eller rumvarmer.
- Brug ikke denne terrassevarmer i en kennel eller på andre steder, hvor der er dyr til stede.
- Brug den ikke i nærheden af eller umiddelbart i nærheden af et badeværelse eller en swimmingpool eller nogen væskekilde. Selvom enheden er stænkæt, skal du være forsigtig med vand. Sørg for, at den ikke kan falde ned i vandet, og udsæt den ikke for kraftige vandstråler. Rør den ikke med våde hænder, og placer ikke enheden i området tæt på et badeværelse, et toilet, en swimmingpool eller en anden vandforsyning, da dette er farligt.
- For at beskytte mod elektrisk stød må ledningen og stikket ikke nedsænkes i vand eller anden væske.
- Undlad at indsætte eller lade fremmedlegemer trænge ind i nogen form for ventilations- eller udsugningsåbning, da dette kan forårsage elektrisk stød, brand eller beskadigelse af varmeren.
- Sørg for, at der er tilstrækkeligt lys. Kontakterne på enheden skal kunne ses tydeligt fra 1 meters afstand.
- Træk altid varmerens stik ud, når den ikke er i brug. Lad aldrig enheden være uden opsyn under brug, men sluk for den og træk stikket ud. Brug ikke enheden sammen med en programmeringsenhed, timer eller anden anordning, der tænder enheden automatisk.
- Brug ikke varmeren med en ekstern spændingsregulator såsom en lysdæmper, hastighedsregulator osv. Dette medfører en elektrisk fare.
- Sørg for, at ledningen ikke hænger ud over (skarpe) kanter, ikke danner kraftige kurver, ikke rører ved varme overflader. Undlad at vikle ledningen omkring enheden.
- Lad ikke ledningen hænge ud over bordpladen, hvor børn let kan trække i den.
- Stik ikke fingre eller fremmedlegemer ind i risten, mens den er i drift.
- Lad ikke apparatet være uden opsyn, når det er i brug.
- Denne varmer er ikke beregnet til brug på badeværelser, i vaskerum og lignende steder indenfor.

Placer aldrig varmeren, hvor den kan falde ned i et badekar eller en anden vandbeholder.

- Der påtages intet ansvar for skader, der skyldes manglende overholdelse af disse instruktioner eller anden forkert brug eller forkert håndtering.
- Dette apparat kan bruges af børn fra 8 år og derover og personer med nedsatte fysiske, sensoriske eller mentale evner eller manglende erfaring og viden, hvis de har fået tilsyn eller instruktioner om brug af apparatet på en sikker måde og forstår farerne involveret. Børn må ikke lege med apparatet. Rengøring og brugervedligeholdelse må ikke foretages af børn uden opsyn.
- Hvis enheden af en eller anden grund får revner eller brud, eller hvis du finder defekter eller forstyrrelser af aluminiumshuset eller andre dele, skal du straks holde op med at bruge enheden og tage stikket ud af stikkontakten.
- Hvis netledningen på nogen måde bliver beskadiget, skal den udskiftes af producenten eller dens serviceagent eller en lignende kvalificeret person for at undgå farer.
- For at forhindre overophedning af dette apparat skal luftindgangene og -udgangene holdes rene og fri for alt, der kan forårsage blokering. Kontroller indgangene og udgangene fra tid til anden for at sikre, at de er fri for ophobning af snavs eller støv. MÅ IKKE TILDÆKKES. Advarselmærkaten om ikke at tildække enheden skal også placeres et helt synligt sted efter installationen. Den må derfor ikke placeres på bagsiden.
- Dele af varmeren kan overskride 200°C, kontakt med varmerøret, reflektoren eller metaldele i nærheden af varmerøret kan forårsage alvorlige FORBRÆNDINGER. For at undgå forbrændinger må du ikke lade bar hud komme i kontakt med den varme overflade.
- Hold ALDRIG hænderne under varmelegemerne. Lad ALTID varmelegemet køle af mindst 10 minutter, inden du berører varmerøret eller tilstødende dele.
- Opbevar ikke brændbare væsker eller materialer såsom maling, benzin, gastanke osv. i umiddelbar nærhed af enheden. Brug ikke enheden i brandfarlige omgivelser, såsom tæt på brændbare gastanke, gasrør eller spraydåser. Fare for eksplosion og brand!
- Dette produkt indeholder genanvendelige materialer. Bortskaf ikke dette produkt som usorteret husholdningsaffald. Kontakt din kommune for det nærmeste indsamlingssted.

Elektrisk sikkerhed



Kontroller altid, at strømforsyningsens spænding svarer til spændingen på typeskiltet.

- Hvis el-værktøjets forsyningsledning er beskadiget, skal det udskiftes med en specielt forberedt forsyningsledning, der er tilgængelig via serviceorganisationen.
- Brug kun forlængerledninger, der er mindst egnede til maskinens effekt tykkelse på 1,5 mm². Hvis du bruger en forlængerkabelrulle, skal du altid rulle kablet helt ud.

2. MASKINOPLYSNINGER

Anvendelsesformål

Dette produkt er designet som en terrassevarmer til husholdningsmiljøer. Varmelegemet er beregnet til private haver eller andre udendørs områder derhjemme. Varmelegemet må ikke bruges til opvarmning af et indendørs rum, brug som et ikke-husholdningsvarmer eller til tørring af tekstiler eller andre materialer. Dette varmelegeme er ikke udstyret med en enhed til at kontrollere stuetemperaturen, så brug ikke denne varmelegeme i rum, når de er optaget af personer, der ikke er i stand til at forlade rummet alene, medmindre der er konstant tilsyn. Enheden skal kun bruges til det foreskrevne formål. Enhver anden anvendelse anses for at være et tilfælde af misbrug.

TEKNISKE SPECIFIKATIONER

Model nr.	PH511AC
Spænding	220-240 V ~
Frekvens	50-60 Hz
Effekt	2200 W
Effektindstillinger	1: 730W 2: 1460W 3: 2200W
Type varmelegeme	Kvarts
Varmetid	20 sekunder
Bølgelængde	1.4-3.0
Strålingseffektivitet	60%
Varmeafstand	3-4m
Varmeområde	15 m ²
Elektronisk blød start	Ja

Kapslingsklasse	IP34
Beskyttelsesklasse	Klasse I
Vægt	1.50 kg

BESKRIVELSE

Tallene i den følgende tekst korresponderer med afbildningen på side 2-4.

1. Varmer
2. Beskyttelsesrist
3. Indikator for strømniveau
4. Strømkabel
5. Træksnor (tændt/slukket)
6. Øvre rør
7. Lille kabelholder
8. Mellemste rør
9. Stor kabelholder
10. Nedre rør
11. Dæksel
12. Bundplade
13. Lang bolt
14. Kort bolt
15. Spændering
16. Forlængerrør
17. Skruer

3. MONTERING



Denne varmer skal installeres af en kompetent person, dvs. en kvalificeret elektriker.



Afbryd altid varmeren fra strømforsyningen, og lad den afkøle før installationen.

Montering af varmer (fig. B-F)



Monter altid enheden med det medfølgende tilbehør.

Før du går i gang med at montere enheden, skal du tage følgende i betragtning:

- Stil enheden på en solid, flad overflade. Enheden må aldrig placeres skævt!
- Enheden skal placeres på en sådan måde, at der er 100 cm fri plads mellem varmeren og genstanden eller væggen målt forfra eller fra siden. Der skal være mindst 1,80 m mellem gulvet og enhedens underside. Der skal være mindst 30 cm afstand mellem enheden og loftet.
- Installer ikke varmeren på eller tæt på en brandfarlig overflade.

- Hvis varmeren skal bruges udenfor, anbefales det i høj grad at anvende en vejrbestandig stik-kontakt.
- Inden du borer, skal du sørge for, at der ikke er ledninger eller vandrør i det område, hvor varmeren skal installeres.

1. Start med at montere det nedre rør (10) på bundpladen (12). Stram de lange bolte (13) som vist på figur B.
2. Skub dækslet (11) på det nedre rør (10) som vist på figur B. Dette vil skjule boltene (13), så de ikke er synlige.
3. Tag en stor kabelholder (9), og sæt den på det mellemste rør (8), som vist i figur C.
4. Sæt nu det mellemste rør (8) på det nederste rør (10). Sørg for, at hullerne i begge rør flugter. Stram nu med de korte bolte (14) som vist på figur C.
5. Tag en stor kabelholder (9), og sæt den på det øvre rør (6), som vist i figur D.
6. Sæt nu det øvre rør (6) på det mellemste rør (18). Sørg for, at hullerne i begge rør flugter. Stram nu med de korte bolte (14) som vist på figur D.
7. Løsn spænderingen (15) på det øvre rør (6) ved at dreje den mod uret. Nu kan forlængerrøret (16) forlænges opad ved at trække i det.
8. Når den ønskede højde er nået, skal du stramme spænderingen (15) på det øvre rør (6) ved at dreje den med uret.
9. Tag den lille kabelholder (7), og sæt den på forlængerrøret (16), som vist i figur D.
10. Skub hullet på undersiden af varmeren (1) på forlængerrøret (16), som vist på figur E.
11. Sørg for, at de to huller på varmerne (1) flugter med hullerne i forlængerrøret (16).
12. Fastgør nu varmeren (1) ved at stramme skrue-erne (17) i hullerne af forlængerrøret (16) og dermed varmeren.
13. Fastgør strømkablet (4) ved hjælp af den lille kabelholder (7) og de store kabelholdere (9). Se figur F.
14. Drej enheden til den ønskede vinkel. Enheden kan drejes nedad med 45°, som vist i figur G.

4. BETJENING

Sådan tændes/slukkes den (fig. A)

Varmeren kan tændes og slukkes ved hjælp af træksnoren. Træk i snoren til trækkontakten (5), indtil det ønskede varmeniveau kommer frem på indikatoren for varmeniveau (3):

- Niveau 0 = slukket
- Niveau 1 = 730 W
- Niveau 2 = 1460 W
- Niveau 3 = 2200 W

Sluk for varmeren, træk snoren til trækkontakten (5) til niveau 0.

Vælte-sikkerhedskontakt (fig. A)

Denne varmer er udstyret med en vælte-sikkerhedskontakt. I tilfælde af at varmeren vælter slukker den automatisk. Vær opmærksom på, når varmeren anbringes i dens opretstående position, bliver varmefunktionen ikke startet omgående igen. Sluk den først (læs 'Tænd/sluk'), fjern stikket fra stikdåsen og kontrollér varmeren for beskadigelser. Må ikke anvendes i tilfælde af beskadigelser eller fejlfunktion, men skal kontrolleres/ repareres. Hvis der ikke forekommer beskadigelser, kan du tænde varmeren igen (læs 'tænd/sluk').

5. VEDLIGEHOLDELSE



Sørg altid for, at maskinen ikke er sluttet til elnettet, når du udfører vedligeholdelse af mekanismen.



FORSIGTIG: Risiko for elektrisk stød. Du må IKKE åbne eller selv prøve at reparere varmeren.

Rengør maskinbeklædningerne regelmæssigt med en blød klud, helst efter hver anvendelse. Sørg for, at der ikke er støv eller snavs i ventilationsåbningerne. Fjern snavs, der sidder meget godt fast, med en blød klud, der er fugtet i sæbevand. Brug ikke opløsningsmidler, som f.eks. benzin, sprit, ammoniak osv. Kemikalier som disse beskadiger de syntetiske komponenter.

- Brug IKKE alkohol, benzin, slibepulver, møbelvoks eller ru børster til at rengøre varmeren. Dette kan forårsage beskadigelse eller forringelse af varmerens overflade.
- Nedsæk IKKE varmeren i vand.
- Vent, til varmeren er helt tør, inden brug.

VIGTIGT:

- Afbryd altid varmeren fra strømforsyningen, og lad den afkøle, før du forsøger at rengøre den.
- Hvis varmeren har samlet støv eller snavs inde i enheden eller omkring varmelegemet, skal enheden rengøres af en kvalificeret servicete-

- kniker. Betjen ikke varmeren i denne tilstand.
- Den eneste vedligeholdelse, der kræves, er rengøring af varmelegemets udvendige overflader.
- Rør ikke ved varmelegemet med bare fingre, da rester fra din hånd kan påvirke pærens levetid. Hvis du utilsigtet kommer til at røre ved det, skal du fjerne fingeraftrykene med en blød klud fugtet med alkohol eller sprit med menthol.
- Forsøg ikke at reparere eller justere elektriske eller mekaniske funktioner på denne varmer.
- Varmeren indeholder ingen dele, der kan repareres af brugeren. Skulle produktet blive beskadiget eller gå i stykker, skal det leveres tilbage til producenten eller dets serviceagent.
- Beskadigede forsyningsledninger skal udskiftes af producenten, serviceagenten eller en lignende kvalificeret person for at undgå farer.

Opbevaring

Opbevar varmeren et tørt og køligt sted, når den ikke er i brug, for at forhindre ophobning af støv og snavs. Brug emballagekarton til opbevaring.

Fejlfinding

Hvis varmeren ikke virker, bedes du kontrollere følgende, inden du anmoder om reparation eller service:

- Kontrollér, om nedledningen er sluttet til en stikkontakt, og hvis ikke, skal den tilsluttes
- Kontrollér, om elektriciteten til hovedsikringen virker
- Sørg for, at strømkontakterne er tændt, og hvis ikke, skal du vælge en indstilling.

MILJØ



Defekte og/eller bortskaffede elektriske og elektroniske apparater skal afleveres på en passende genbrugsstation.

Kun for EU-lande

Smid ikke el-værktøjer ud sammen med almindeligt affald. I henhold til de europæiske direktiver 2012/19/EU for elektrisk og elektronisk udstyr og er implementeret i henhold til nationale rettigheder, el-værktøj som ikke længere er anvendelig skal indsamles separat og genbruges på en miljøvenlig måde.

GARANTI

VONROC produkter er udviklet efter de højeste kvalitetsstandarder og er garanteret fri for mangler i såvel materialer som udførelse i den lovpligtige periode, der starter fra datoen for det oprindelige køb. Skulle produktet udvikle nogen fejl i løbet af denne periode på grund af defekte materialer og/eller fabrikationsfejl, så kontakt VONROC direkte.

De følgende forhold er udelukket fra denne garanti:

- Reparationer og eller rettelser er blevet foretaget eller forsøgt foretaget på maskinen af uautoriserede servicecentre.
- Normal slitage.
- Værktøjet har været misligholdt, misbrugt eller vedligeholdt forkert.
- Ikke originale reservedele er blevet anvendt.

Dette udgør den eneste garanti fra virks omheden enten udtrykt eller underforstået. Der er ingen andre garantier udtrykt eller underforstået, som strækker sig ud over forsiden heraf, heri, herunder underforståede garantier for salgbarhed og egnethed til et bestemt formål. VONROC vil under ingen omstændigheder være ansvarlig for hændelige skader eller følgeskader. Forhandlernes afhjælpningsmidler vil være begrænsede til reparation eller udskiftning af fejlbehæftede enheder eller dele.

Produktet og brugermanualen kan ændres. Specifikationerne kan ændres uden forudgående varsel.

1. INSTRUKCJE BEZPIECZEŃSTWA

Przeczytać dołączone ostrzeżenia dotyczące bezpieczeństwa, dodatkowe ostrzeżenia dotyczące bezpieczeństwa oraz instrukcję. Nieprzestrzeganie ostrzeżeń dotyczących bezpieczeństwa oraz instrukcji może prowadzić do porażenia prądem, pożaru i/lub poważnych obrażeń ciała. Zachować ostrzeżenia dotyczące bezpieczeństwa oraz instrukcje na przyszłość.

Następujące symbole są umieszczone w instrukcji obsługi lub na produkcie:



Przeczytać instrukcję obsługi.



Oznacza ryzyko obrażeń ciała, śmierci lub uszkodzenia grzejnika w razie nieprzestrzegania poleceń z instrukcji.



Ryzyko porażenia prądem.



Uwaga gorąca powierzchnia!



Nie przykrywać urządzenia.



Symbol uziemienia. To urządzenie posiada I klasę ochrony i musi być podłączone do uziemionego gniazdka sieciowego.



Produkt spełnia wymogi odpowiednich norm bezpieczeństwa podanych w dyrektywach UE.

OGÓLNE ZALECENIA DOTYCZĄCE BEZPIECZEŃSTWA

DOKŁADNIE PRZECZYTAĆ INSTRUKCJĘ I ZACHOWAĆ JĄ NA PRZYSZŁOŚĆ. Producent nie ponosi odpowiedzialności za szkody spowodowane nieprzestrzeganiem tej instrukcji.

To urządzenie może być używane przez dzieci w wieku od 8 lat i osoby z ograniczonymi zdolnościami fizycznymi, czuciowymi lub umysłowymi lub nieposiadające doświadczenia i wiedzy, jeśli znajdują się one pod nadzorem lub zostały przeszkolone z bezpiecznego użytkowania urządzenia i rozumieją związane z tym zagrożenia. Dzieciom nie wolno pozwalać bawić się urządzeniem. Dzieciom bez nadzoru nie wolno przeprowadzać czyszczenia i konserwacji urządzenia.

Nie pozwalać zbliżać się do urządzenia dzieciom w wieku poniżej 3 lat, jeśli nie znajdują się pod stałym nadzorem. Dzieciom w wieku od 3 lat i poniżej 8 lat wolno włączać/wyłączać urządzenie, tylko jeśli urządzenie zostało ustawione lub zainstalowane w normalnym położeniu roboczym zgodnie z przeznaczeniem i tylko jeśli dzieci znajdują się pod nadzorem lub zostały nauczone obsługi urządzenia w bezpieczny sposób i rozumieją związane z tym zagrożenia. Dzieciom w wieku od 3 lat i poniżej 8 lat nie wolno podłączać urządzenia do zasilania, regulować go, czyścić ani wykonywać czynności konserwacji dopuszczalnej dla użytkownika.

UWAGA — niektóre elementy tego produktu mogą stać się bardzo gorące i spowodować oparzenia. Należy zwracać szczególną uwagę na przebywające w pobliżu dzieci i osoby z niepełnosprawnościami.

WAŻNE INSTRUKCJE DOTYCZĄCE BEZPIECZEŃSTWA

PRZECZYTAĆ UWAŻNIE - Grzejnik na podczerwień został zaprojektowany tak, aby zapewnić bezpieczną pracę. Mimo tego, instalacja, konserwacja i obsługa grzejnika może być niebezpieczna. Przestrzeganie poniższych procedur ograniczy ryzyko pożaru, porażenia prądem, obrażeń ciała osób oraz pozwoli maksymalnie skrócić czas instalacji. Zachować tę instrukcję na przyszłość.

- Przeczytać instrukcję w całości przed rozpoczęciem korzystania z grzejnika.
- Wyjąć urządzenie z opakowania i sprawdzić, czy jest w dobrym stanie przed rozpoczęciem eksploatacji.
- Nie pozwalać dzieciom bawić się elementami opakowania (jak torby plastikowe).
- Sprawdzić napięcie w instalacji domowej, aby dopilnować, że jest zgodne z parametrami znamionowymi zasilania grzejnika.
- Sprawdzić kabel i wtyczkę zasilania dokładnie przed użyciem, aby dopilnować, że nie są uszkodzone.
- Przed odłączeniem wtyczki kabla zasilania konieczne wyłączyć zasilanie. Włączać urządzenie wyłącznie suchymi rękami, aby uniknąć porażenia prądem.
- Używać grzejnika ogrodowego tylko na wolnym powietrzu lub na dużej i otwartej przestrzeni. Trzymać łatwopalne przedmioty, jak plandeki, parasole, gałęzie, meble, zasłony, papier itp. z dala od urządzenia (co najmniej w odstępnie 1 metra, jeśli

są to przedmioty ruchome!). Zachować odstęp co najmniej 1 metra od ścian. Spód grzejnika musi znajdować się co najmniej 180 cm nad podłożem. W przypadku umieszczenia urządzenia pod dachem, musi być zapewniony odstęp co najmniej 50 cm między górną powierzchnią klosza grzejnika a (niepalnym) sufitem. Jeśli dach jest palny (wykonany z drewna, tworzywa sztucznego, brezentu itp.), odstęp musi wynosić co najmniej 1 metr. Zawsze zapewniać dobrą wentylację!

- Nie umieszcza urządzenia bezpośrednio nad lub pod gniazdkiem ściennym (nie w jego bezpośredniej bliskości).
- Grzejnik ogrodowy jest przeznaczony wyłącznie do użytku domowego. Dlatego nie należy używać go na placach budowy, w szklarniach, stodołach lub straganach itp., nawet jeśli są to przestrzenie w znacznym stopniu otwarte. Zwykle w takich miejscach znajduje się za dużo materiałów palnych.
- Nie używać tego grzejnika ogrodowego do ogrzewania sauny ani jako trwałego sposobu ogrzewania pokoju lub przestrzeni.
- Nie używać tego grzejnika ogrodowego w psiej budzie ani innych miejscach, w których znajdują się zwierzęta.
- Nie używać w pobliżu ani w bezpośrednim sąsiedztwie wanny, basenu lub źródła cieczy. Mimo tego, że urządzenie jest odporne na rozbryzgi wody, w jego pobliżu należy ostrożnie obchodzić się z wodą. Dopilnować, aby urządzenie nie mogło wpaść do wody i nie narażać go na silne strumienie wody. Nie dotykać urządzenia mokrymi rękami i nie stawiać go w bezpośrednim pobliżu wanny, umywalki, basenu ani innego zbiornika z wodą lub źródła wody, ponieważ jest to niebezpieczne.
- Aby chronić się przed porażeniem prądem, nie zanurzać kabla ani wtyczki w wodzie ani innej cieczy.
- Nie wkładać ani nie pozwalać na wpadanie ciał obcych do otworów wentylacyjnych ani wylotowych, ponieważ może to spowodować porażenie prądem, pożar lub uszkodzenie grzejnika.
- Zapewnić odpowiednie oświetlenie. Włączniki na urządzeniu muszą być prawidłowo widoczne z odległości 1 metra.
- Zawsze odłączać grzejnik od zasilania, gdy nie jest w użytku. Nigdy nie pozostawiać włączonego urządzenia bez nadzoru, tylko wyłączać je i odłączać od zasilania. Nie używać urządzenia w połączeniu z wyłącznikiem (programatorem)

czasowym lub innym urządzeniem, które automatycznie włącza urządzenie.

- Nie używać grzejnika z zewnętrznym regulatorem napięcia, takim jak ściemniacz świateł, regulator prędkości itp. Powoduje to zagrożenie elektryczne.
- Dopilnować, aby kabel nie leżał na (ostrzych) krawędziach, nie był silnie zagięty i nie dotykał gorących powierzchni. Nie owijać kabla wokół urządzenia.
- Nie pozwalać, aby kabel zwisał z blatu, gdzie może zostać łatwo pociągnięty przez dziecko.
- Nie wkładać palców ani ciał obcych w kratkę grzejnika podczas jego pracy.
- Nie pozostawiać włączonego urządzenia bez nadzoru.
- Ten grzejnik nie jest przeznaczony do użytku w łazienkach, pralniach itp. miejscach w pomieszczeniach. Nigdy nie ustawiać grzejnika w miejscu, z którego mógłby wpaść do wanny lub innego zbiornika z wodą.
- Nie ponosimy odpowiedzialności za żadne szkody spowodowane nieprzestrzeganiem tej instrukcji, niewłaściwym użytkowaniem urządzenia i nieprawidłowym obchodzeniem się z urządzeniem.
- To urządzenie może być używane przez dzieci w wieku od 8 lat i starsze oraz osoby z ograniczonymi zdolnościami fizycznymi, sensorycznymi lub umysłowymi lub bez doświadczenia i wiedzy, jeśli są one pod nadzorem lub zostały poinstruowane dotyczące korzystania z urządzenia w bezpieczny sposób i rozumieją zagrożenia zaangażowany. Dzieci nie mogą bawić się urządzeniem. Dzieci bez nadzoru nie mogą czyścić ani konserwować urządzenia.
- Jeśli w urządzeniu z jakiegoś powodu pojawiają się pęknięcia lub w przypadku stwierdzenia niedoskonałości lub przerw w aluminiowej obudowie lub innej części, niezwłocznie zaprzestać eksploatacji urządzenia i wyjąć jego wtyczkę zasilania z gniazdka.
- Jeśli kabel zasilania jest w jakikolwiek sposób uszkodzony, musi go wymienić producent, jego przedstawiciel serwisowy lub podobnie, odpowiednio wykwalifikowana osoba, aby uniknąć zagrożenia.
- Aby zapobiec przegrzaniu tego urządzenia, utrzymywać wloty i wyloty powietrza czyste i wolne od wszelkich przedmiotów, które mogłyby powodować zatory. Sprawdzaj wszystkie wloty

i wyloty od czasu do czasu, aby zagwarantować, że są wolne od wszelkich zanieczyszczeń i nagromadzonego pyłu. **NIE ZASŁANIAĆ.** Etykieta ostrzegająca przed zasłanianiem urządzenia musi również zostać umieszczona w widocznym miejscu po instalacji. Oznacza to, że nie wolno jej umieszczać z tyłu urządzenia.

- Części grzejnika mogą nagrzewać się do temperatury powyżej 200°C. Dotknięcie rurki grzejnej, reflektora lub części metalowych w pobliżu rurki grzejnej może spowodować poważne OPARZENIA. Aby uniknąć oparzeń, nie dotykać gorącej powierzchni nieosłoniętej skórą.
- NIGDY nie kłaść rąk pod elementami grzejnymi. ZAWSZE pozwalać elementowi grzejnemu ostygnąć przez co najmniej 10 minut przed dotknięciem rurki grzejnej lub sąsiednich części.
- Nie przechowywać żadnych palnych cieczy ani materiałów, jak farba, benzyna, zbiorniki z gazem itp. w bezpośrednim pobliżu urządzenia. Nie używać urządzenia w palnym otoczeniu, np. w pobliżu zbiorników z łatwopalnym gazem, rur z gazem, pojemników ciśnieniowych lub puszek z gazem w sprayu. Ryzyko wybuchu i pożaru!
- Ten produkt zawiera materiały nadające się do recyklingu. Nie wyrzucać produktu wraz ze zmieszanyymi odpadami z gospodarstwa domowego. Proszę skontaktować się z lokalnymi władzami w celu uzyskania informacji o najbliższym punkcie zbiórki selektywnej.

Bezpieczeństwo elektryczne



Zawsze sprawdzać, czy napięcie w sieci odpowiada napięciu na tabliczce znamionowej urządzenia.

- Nie używać urządzenia, jeśli przewód zasilający lub wtyczka jest uszkodzona.
- Używać wyłącznie takich przedłużaczy, które są odpowiednie dla mocy znamionowej urządzenia, o średnicy minimum 1,5 mm². W przypadku używania przedłużacza na szpuli, całkowicie rozwinąć przewód.

2. INFORMACJE O MASZYNIE

Przeznaczenie

Ten produkt został zaprojektowany jako grzejnik tarasowy do użytku domowego. Grzejnik jest przeznaczony do prywatnych ogrodów lub innych terenów zewnętrznych w domu. Grzejnik nie może być używany

ny do ogrzewania pomieszczeń w pomieszczeniach, jako grzejnik do pomieszczeń innych niż domowe ani do suszenia tekstyliów lub innych materiałów. Ten grzejnik nie jest wyposażony w urządzenie do regulacji temperatury w pomieszczeniu, dlatego nie należy go używać w pomieszczeniach, w których przebywają osoby, które nie są w stanie samodzielnie wyjść z pomieszczenia, chyba że zapewniony jest stały nadzór. Urządzenie powinno być używane tylko zgodnie z jego przeznaczeniem. Każde inne użycie jest uważane za niewłaściwe użycie.

DANE TECHNICZNE

Nr modelu	PH511AC
Napięcie	220-240 V ~
Częstotliwość	50-60 Hz
Moc	2200 W
Ustawienia mocy	1: 730W 2: 1460W 3: 2200W
Typ elementu grzejnego	Kwarc
Czas rozgrzewania	20 sekund
Długość fali	1,4-3,0
Sprawność promieniowania	60%
Odległość ogrzewania	3-4m
Powierzchnia ogrzewania	15m ²
Elektroniczny płynny rozruch	Tak
Stopień ochrony	IP34
Klasa ochrony	Klasa I
Ciężar	1,50 kg

OPIS

Liczby w tekście odnoszą się do rysunków na stronie 2-4.

1. Grzejnik
2. Kratka ochronna
3. Wskaźnik poziomu mocy
4. Kabel zasilania
5. Linka (włącznik)
6. Górna rura
7. Mały uchwyt kabla
8. Środkowa rura
9. Duży uchwyt kabla
10. Dolna rura
11. Pokrywa

12. Płyta podstawy
13. Długa śruba
14. Krótka śruba
15. Pierścien zaciągający
16. Wysuwana rura
17. Śruby

3. MONTAŻ



Ten grzejnik musi zainstalować odpowiednio wykwalifikowana osoba, tzn. wykwalifikowany elektryk.



Zawsze odłączać grzejnik od zasilania elektrycznego i poczekać aż ostygnie przed instalacją.

Montaż grzejnika (rys. B-F)



Zawsze montować urządzenie z użyciem dołączonych akcesoriów.

Przed rozpoczęciem montażu urządzenia uwzględnić poniższe wymagania:

- Przymocować urządzenie do wytrzymałej i równej powierzchni. Urządzenia nie wolno nigdy stawiać pod kątem!
 - Urządzenie należy umieścić tak, aby zapewnić 100 cm wolnego miejsca między grzejnikiem a jakimkolwiek obiektem lub ścianą, mierząc od przodu lub boku. Musi występować odstęp co najmniej 1,80 m między podłożem a spodem urządzenia. Musi występować odstęp co najmniej 30 cm między urządzeniem a sufitem.
 - Nie instalować grzejnika w pobliżu powierzchni palnej ani na takiej powierzchni.
 - Jeśli grzejnik ma być użytkowany na wolnym powietrzu, zdecydowanie zalecamy użycie gniazdka odpornego na działanie warunków atmosferycznych.
 - Przed rozpoczęciem wiercenia dopilnować, aby w miejscu instalacji grzejnika nie znajdowały się żadne przewody ani rury wodne.
1. Najpierw przymocować dolną rurę (10) na płycie podstawy (12). Dokręcić długie śruby (13) zgodnie z rysunkiem B.
 2. Wsunąć pokrywę (11) na dolną rurę (10) zgodnie z rysunkiem B. Spowoduje to ukrycie śrub (13).
 3. Założyć duży uchwyt kabla (9) na środkową rurę (8) zgodnie z rysunkiem C.
 4. Teraz nałożyć środkową rurę (8) na dolną rurę

- (10). Dopilnować, aby otwory w obu rurach były dopasowane do siebie. Teraz dokręcić krótkie śruby (14) zgodnie z rysunkiem C.
5. Założyć duży uchwyt kabla (9) na górną rurę (6) zgodnie z rysunkiem D.
 6. Teraz nałożyć górną rurę (6) na środkową rurę (18). Dopilnować, aby otwory w obu rurach były dopasowane do siebie. Teraz dokręcić krótkie śruby (14) zgodnie z rysunkiem D.
 7. Odkręcić pierścień zaciskający (15) na górnej rurze (6), obracając go przeciwnie do wskazówek zegara. Teraz wysuwaną rurę (16) można wysunąć do góry, pociągając za nią.
 8. Po osiągnięciu żądanej wysokości ponownie dokręcić pierścień zaciskający (15) na górnej rurze (6), obracając go przeciwnie do wskazówek zegara.
 9. Założyć mały uchwyt kabla (7) na wysuwaną rurę (16) zgodnie z rysunkiem D.
 10. Nasunąć otwór w spodzie grzejnika (1) na wysuwaną rurę (16) zgodnie z rysunkiem E.
 11. Dopilnować, aby oba otwory w grzejniku (1) były dopasowane do otworów w wysuwanej rurze (16).
 12. Teraz unieruchomić grzejnik (1), dokręcając śruby (17) w otworach wysuwanej rury (16) i grzejnika.
 13. Przymocować kabel zasilania (4) za pomocą małego uchwyty kabla (7) i dużych uchwyty kabla (9). Patrz rysunek F.
 14. Pochylić urządzenie pod żądanym kątem. Urządzenie można pochylić w dół o 45° zgodnie z rysunkiem G.

4. OBSŁUGA

Włączanie i wyłączenie (rys. A)

Grzejnik można włączać i wyłączać linką.

Ciągnąć za linkę (5) do wyświetlenia żądanego poziomu grzania na wskaźniku poziomu grzania (3):

- Poziom 0 = wyłączone
- Poziom 1 = 730 W
- Poziom 2 = 1460 W
- Poziom 3 = 2200 W

Aby wyłączyć grzejnik, ciągnąć za linkę włącznika (5) i ustawić poziom 0.

Wyłącznik bezpieczeństwa po przewróceniu (rys. A)

Ten grzejnik jest wyposażony w wyłącznik bezpieczeństwa po przewróceniu. W przypadku przewrócenia grzejnika, grzejnik wyłącza się automatycznie.

Zwróć uwagę, że po ponownym postawieniu grzejnika w pionie, grzejnik nie wznowi natychmiast pracy. Najpierw należy go wyłączyć (patrz „włączanie/wyłączenie”), wyjąć wtyczkę zasilania z gniazdka, po czym sprawdzić, czy grzejnik nie jest uszkodzony. W przypadku uszkodzenia lub błędnego działania nie używać grzejnika, lecz przekazać go do kontroli/naprawy. Jeśli nie ma uszkodzeń, można po prostu ponownie włączyć grzejnik (patrz „włączanie/wyłączenie”).

5. KONSERWACJA



W trakcie przeprowadzania czynności konserwacyjnych części mechanicznych urządzenie musi być odłączone od zasilania.



PRZESTROGA: Ryzyko porażenia prądem. NIE otwierać ani nie próbować naprawiać grzejnika własnoręcznie

Czyścić obudowę urządzenia regularnie miękką ściereczką, najlepiej po każdym użyciu. Dopilnować, aby otwory wentylacyjne były wolne od pyłu, kurzu i zabrudzeń. Usuwać odporne zabrudzenia miękką ściereczką zwilżoną mydlinami. Nie używać żadnych rozpuszczalników, takich jak benzyna, alkohol, amoniak itp. Takie substancje chemiczne spowodują uszkodzenie części z tworzyw sztucznych.

- NIE używać alkoholu, benzyny, ściernych proszków, środków do polerowania mebli ani szorstkich szmatek do czyszczenia grzejnika. Może to spowodować uszkodzenie lub pogorszenie stanu powierzchni grzejnika.
- NIE zanurzać grzejnika w wodzie
- Przed użyciem poczekać, aż grzejnik całkowicie wyschnie.

UWAGA:

- Zawsze odłączać grzejnik od zasilania elektrycznego i poczekać aż ostygnie przed jego czyszczeniem.
- Jeśli w grzejniku lub wokół elementu grzejnego zgromadził się kurz lub inne zanieczyszczenia, zlecić czyszczenie urządzenia w serwisie. Nie używać grzejnika w takim stanie.
- Jedyne wymagane czynności konserwacyjne to czyszczenie zewnętrznych powierzchni grzejnika.
- Nie dotykać elementów grzejnych gołymi rękami, ponieważ osady znajdujące się na skórze

mogą mieć negatywny wpływ na trwałość lampy. W razie przypadkowego dotknięcia usunąć ślady palców miękką ściereczką zwilżoną alkoholem lub spirytusem metylowanym.

- Nie podejmować prób naprawy lub regulacji elementów elektrycznych lub mechanicznych tego grzejnika.
- Grzejnik nie zawiera żadnych części, które mógłby naprawiać użytkownik. Jeśli wystąpi uszkodzenie lub awaria urządzenia, zwrócić je do producenta lub jego przedstawiciela serwisowego.
- Jeśli kabel zasilania jest uszkodzony, musi go wymienić producent, jego przedstawiciel serwisowy lub podobnie, odpowiednio wykwalifikowana osoba, aby uniknąć zagrożenia.

Przechowywanie

Przechowywać grzejnik w chłodnym i suchym miejscu, gdy nie jest w użytku, aby chronić go przed osadzaniem się zanieczyszczeń i kurzu. Przechowywać grzejnik w kartonie, w jakim został dostarczony.

Związywanie problemów

Jeśli grzejnik nie działa, sprawdzić poniższe rozwiązania przed zleceniem naprawy lub przeglądu:

- Sprawdzić, czy kabel zasilania jest podłączony do gniazdka zasilania. Jeśli nie jest, podłączyć go.
- Sprawdzić, czy zasilanie dochodzi do głównego bezpiecznika
- Sprawdzić, czy włączniki zasilania są ustawione w położenie włączenia. Jeśli nie, ustawić je odpowiednio.

SRODOWISKO



Uszkodzone i/lub niepotrzebne urządzenia elektryczne lub elektroniczne podlegają zbiórce w odpowiednich punktach recyklingu.

Tylko kraje WE

Nie wyrzucac elektronarzędzi wraz z odpadami z gospodarstw domowych. Zgodnie z dyrektywa 2012/19/WE dotycząca zużytych urządzeń elektrycznych i elektronicznych oraz jej wdrożeniem do prawodawstwa krajowego, elektronarzędzia, które już nie nadają się do użytku, podlegają oddzielnej zbiórce oraz utylizacji w sposób przyjazny dla środowiska.

GWARANCJA

Produkty VONROC są wytwarzane zgodnie z najwyższymi standardami jakości i producent udziela gwarancji na wady materiałowe i wady wykonania na okres wymagany prawem, licząc od dnia zakupu. Jeśli wystąpi usterka produktu w tym okresie spowodowana wadą materiałową i/lub wadą wykonania, proszę bezpośrednio skontaktować się ze sprzedawcą VONROC.

Następujące okoliczności powodują unieważnienie gwarancji:

- Przeprowadzono naprawy lub modyfikacje narzędzia w serwisie innym lub autoryzowany lub podjęto ich próby;
- Normalne zużycie nie jest objęte gwarancją;
- Narzędzie było używane niezgodnie z przeznaczeniem, źle z nim się obchodzono lub było nieprawidłowo konserwowane;
- Użyto części zamiennych innych niż oryginalne.

Niniejsza gwarancja to wyłączna gwarancja producenta i nie obowiązują żadne inne wyrażone ani dorozumiane gwarancje. Nie obowiązują żadne inne wyrażone ani dorozumiane gwarancje o zakresie przekraczającym niniejszą gwarancję, co obejmuje dorozumiane gwarancje przydatności do sprzedaży i przydatności do określonego celu. W żadnym przypadku firma VONROC nie ponosi odpowiedzialności za straty przypadkowe lub wynikowe. Zadośćuczynienie sprzedawcy jest ograniczone do naprawy lub wymiany niezgodnych urządzeń lub części.

Produkt i instrukcja obsługi podlegają zmianom. Dane techniczne podlegają zmianom bez uprzedzenia.

1. INSTRUCȚIUNI DE SIGURANȚĂ

Citiți avertizările de siguranță, avertizările de siguranță suplimentare și instrucțiunile. Nerespectarea avertizărilor de siguranță poate cauza producerea de electrocutări, incendii și/sau răniri grave. Păstrați avertizările de siguranță și instrucțiunile pentru referințe viitoare.

În manualul de utilizare sau pe produs se utilizează următoarele simboluri:



Citiți manualul de utilizare.



Indică riscul de rănire personală, pierderea vieții sau deteriorarea încălzitorului în cazul în care nu se respectă instrucțiunile din acest manual.



Pericol de electrocutare.



Atenție, suprafața fierbinte!



Nu acoperiți dispozitivul.



Simbol de împământare. Acest aparat este clasificat ca clasă de protecție I și trebuie să fie conectat la o priză de împământare.



Produsul este în conformitate cu standardele de siguranță aplicabile din directivele europene.

REGULI GENERALE DE PROTECȚIAMUNCII ACESTE INSTRUCȚIUNI TREBUIE CITITE CU ATENȚIE ȘI PĂSTRATE PENTRU CONSULTARE VIITOARE.

Producătorul nu poate fi tras la răspundere pentru daunele cauzate de nerespectarea acestor instrucțiuni.

Acest aparat poate fi utilizat de copiii cu vârsta de peste 8 ani și de către persoane cu capacități fizice, senzoriale sau mentale reduse sau de către persoane lipsite de experiență și cunoștințe dacă acestea au fost supravegheate și instruite cu privire la utilizarea aparatului în condiții de siguranță și înțeleg riscurile pe care le implică. Copii nu au voie să se joace cu aparatul. Curățarea și operațiunile de întreținere nu trebuie efectuate de copii fără supraveghere.

Copiii cu vârsta mai mică de 3 ani trebuie ținuti la distanță, cu excepția cazului în care sunt continuu supravegheați. Copiii cu vârste cuprinse între 3 ani și mai puțin de 8 ani trebuie să pornească/oprească aparatul numai cu condiția ca acesta să fie poziționat sau instalat în poziția normală de funcționare prevăzută și dacă supravegheați sau au primit instrucțiuni privind utilizarea aparatului în condiții de siguranță și dacă înțeleg pericolele implicate. Copiii cu vârsta cuprinsă între 3 și 8 ani nu trebuie să conecteze, să regleze și să curețe aparatul sau să efectueze întreținerea acestuia.

ATENȚIE— unele părți ale acestui produs pot deveni foarte fierbinți și pot provoca arsuri. O atenție specială trebuie acordată acolo unde sunt prezenți copiii și persoane din categoriile vulnerabile.

INSTRUCȚIUNI DE SIGURANȚĂ IMPORTANTE

CITIȚI CU ATENȚIE – Încălzitorul cu infraroșu este conceput pentru utilizarea în siguranță. Cu toate acestea, instalarea, întreținerea și funcționarea încălzitorului pot fi periculoase. Respectarea următoarelor proceduri va reduce riscul de incendiu, electrocutare, vătămarea persoanelor și va reduce timpul de instalare la minimum. Păstrați aceste instrucțiuni pentru utilizări viitoare.

- Citiți toate instrucțiunile înainte de a utiliza acest încălzitor.
- Scoateți unitatea din ambalaj și verificați dacă este în stare bună înainte de utilizare.
- Nu lăsați copiii să se joace cu componentele ambalajului (cum ar fi pungii de plastic).
- Verificați tensiunea din casă pentru a vă asigura că aceasta corespunde specificațiilor nominale ale încălzitorului.
- Verificați cu atenție cablul de alimentare și fișa înainte de utilizare, pentru a vă asigura că acestea nu sunt deteriorate.
- Înainte de a deconecta cablul de alimentare, asigurați-vă că opriți alimentarea; atunci când alimentați unitatea, asigurați-vă că mâinile dvs. sunt uscate pentru a preveni electrocutarea.
- Utilizați radiatorul terasei numai în aer liber sau într-un spațiu deschis. Țineți toate obiectele inflamabile precum prelate, umbrele de soare, crengi, mobilier, perdele, hârtie etc. la distanță de dispozitiv (cel puțin 1 metru, de asemenea, dacă sunt dacă sunt obiecte mobile!). Distanța până la pereți trebuie să fie de cel puțin 1 metru. Capul de încălzire trebuie să fie situat la

cel puțin 180 cm deasupra solului. Dacă așezați dispozitivul sub un acoperiș, trebuie să existe un spațiu de cel puțin 50 cm între capacul radiatorului de terasă și plafon (neinflamabil). În cazul unui acoperiș inflamabil (lemn, plastic, prelată etc.) această distanță trebuie să fie de cel puțin 1 metru. Asigurați întotdeauna o ventilație bună!

- Nu amplasați dispozitivul chiar deasupra sau sub o priză de perete (nu în imediata apropiere).
- Încălzitorul de terasă este destinat numai uzului casnic. Prin urmare, nu ar trebui să îl utilizați pe șantierele de construcții, în sere, hambare sau tarabe etc., chiar dacă acestea sunt în mare parte deschise. De obicei, există prea multe materiale inflamabile în aceste situații.
- Nu utilizați acest încălzitor de terasă ca sursă de încălzire într-o saună sau ca încălzitor permanent pentru un anumit spațiu sau o cameră.
- Nu utilizați acest încălzitor de terasă într-un adăpost de animale sau în orice altă locație în care există animale.
- Nu îl utilizați lângă sau în imediata apropiere a unei băi sau a unei piscine sau a oricărei surse de lichid. În ciuda faptului că dispozitivul este rezistent la stropi, trebuie să aveți grijă cu apa. Asigurați-vă că acesta nu poate cădea în apă și nu-l expuneți la jeturi puternice de apă. Nu-l atingeți cu mâinile umede și nu așezați dispozitivul în zona din jurul unei băi, toalete, piscine sau alte surse de alimentare cu apă, deoarece acest lucru este periculos.
- Pentru a vă proteja împotriva șocurilor electrice, nu introduceți cablul sau fișa în apă sau orice alt lichid.
- Nu introduceți și nu permiteți obiectelor străine să pătrundă în vreun orificiu de ventilație sau de evacuare, deoarece acest lucru poate provoca electrocutare, incendiu sau deteriorarea încălzitorului.
- Asigurați-vă că există suficientă lumină. Comutatoarele de pe dispozitiv trebuie să fie vizibile în mod corespunzător de la o distanță de 1 metru.
- Deconectați întotdeauna încălzitorul de la sursa de alimentare atunci când nu îl folosiți. Nu lăsați niciodată dispozitivul nesupravegheat atunci când îl folosiți, ci opriți-l și deconectați-l. Nu utilizați dispozitivul cu împreună cu un dispozitiv de programare, un temporizator sau orice alt dispozitiv care pornește automat dispozitivul.
- Nu utilizați încălzitorul cu un regulator de ten-

siune extern, cum ar fi un variator de tensiune, regulator de turație etc. Acest lucru generează un pericol electric.

- Asigurați-vă că cablul nu atâră peste margini (ascuțite), nu realizează curbări puternice, nu atinge suprafețele fierbinți. Nu înfășurați cablul în jurul dispozitivului.
- Nu permiteți cablului să atâră, întrucât poate fi tras cu ușurință de către copii.
- Nu introduceți degetele sau obiecte străine în grilaj în timp ce încălzitorul este în funcțiune.
- Nu lăsați aparatul nesupravegheat când îl folosiți.
- Acest încălzitor nu este destinat utilizării în băi, spălătorii și locații similare aflate în interior, nu amplasați niciodată încălzitorul în locații unde poate cădea într-o cadă sau într-un alt recipient cu apă.
- Nu poate fi acceptată răspunderea pentru orice daune cauzate de nerespectarea acestor instrucțiuni sau de orice altă utilizare necorespunzătoare sau manipulare greșită.
- Acest aparat poate fi utilizat de copii cu vârsta de peste 8 ani și de persoane cu capacități fizice, senzoriale sau mentale reduse sau lipsă de experiență și cunoștințe dacă li s-a acordat supraveghere sau instrucțiuni privind utilizarea aparatului într-un mod sigur și înțelegând pericolele implicat. Copiii nu trebuie să se joace cu aparatul. Curățarea și întreținerea utilizatorului nu trebuie făcute de copii fără supraveghere.
- Dacă, din orice motiv, dispozitivul se fisurează sau se crapă sau dacă identificați imperfecțiuni sau defecțiuni ale carcasei din aluminiu sau ale oricărei componente, întrerupeți imediat funcționarea dispozitivului și scoateți fișa din priză.
- În cazul în care cablul de alimentare este deteriorat în orice fel, acesta trebuie înlocuit de către producător, de către agentul de service sau de către persoane calificate în mod similar, pentru a evita pericolele.
- Pentru a preveni supraîncălzirea acestui aparat, păstrați intrările și orificiile de aer curate și fără obiecte care pot provoca blocarea. Verificați ocazional toate orificiile de admisie și orificiile de evacuare pentru a vă asigura că acestea nu sunt murdare și nu prezintă acumulări de praf. **NU ACOPERIȚI DISPOZITIVUL.** Eticheta de avertizare privind interdicția de a acoperi dispozitivul trebuie, de asemenea, plasată într-un loc vizibil după instalare: nu ar trebui, așadar, să fie pe spate.
- Componentele încălzitorului pot depăși 200°C;

contactul cu tubul de încălzire, reflectorul sau componentele metalice din apropierea tubului de încălzire poate provoca ARSURI severe.

Pentru a evita arsurile, nu atingeți suprafețele fierbinți cu părți ale pielii.

- Nu țineți NICIODATĂ mâinile sub elementele de încălzire. Lăsați întotdeauna elementul de încălzire să se răcească cu cel puțin 10 minute înainte de a atinge tubul de încălzire sau componentele adiacente.
- Nu depozitați lichide inflamabile sau materiale precum vopsea, benzină, rezervoare de combustibil etc. în imediata apropiere a dispozitivului. Nu utilizați dispozitivul într-un mediu inflamabil, cum ar fi rezervoarele de combustibil din apropiere, tuburile de gaz sau recipientele de pulverizare. Pericol de explozie și incendiu!
- Acest produs conține materiale reciclabile. Nu eliminați acest produs ca deșeu menajer nesortat. Vă rugăm să contactați autoritățile locale pentru cel mai apropiat punct de colectare.

Siguranta electrica



Verificați întotdeauna dacă tensiunea sursei de alimentare corespunde tensiunii de pe placa de identificare.

- Dacă cablul de alimentare al acestui instrument electric este deteriorat, acesta trebuie înlocuit cu un cablu de alimentare special pregătit, disponibil prin intermediul organizației de service.
- Utilizați numai cabluri prelungitoare care sunt adecvate pentru puterea nominală a mașinii cu un minim grosime de 1,5 mm². Dacă utilizați o bobină de cablu prelungitor, derulați întotdeauna complet cablul.

2. INFORMAȚII CU PRIVIRE LA MAȘINĂ

Utilizarea prevăzută

Acest produs este conceput ca un încălzitor de terasă pentru medii domestice. Încălzitorul este destinat grădinilor private sau altor zone exterioare de acasă. Încălzitorul nu poate fi utilizat pentru încălzirea unui spațiu interior, utilizat ca încălzitor de spațiu exterior pentru uz casnic sau pentru uscarea textilelor sau a altor materiale. Acest încălzitor nu este echipat cu un dispozitiv pentru controlul temperaturii camerei, așa că nu utilizați acest încălzitor în spații când sunt ocupate de persoane care nu sunt capabile să părăsească singuri camera, cu excepția cazului în care este prevăzută

o supraveghere constantă. Dispozitivul trebuie utilizat numai în scopul prescris. Orice altă utilizare este considerată a fi un caz de abuz.

SPECIFICAȚII TEHNICE

Nr. model	PH511AC
Tensiune	220-240 V ~
Frecvență	50-60 Hz
Putere	2200W
Cablu de alimentare Setări	1: 730W 2: 1460W 3: 2200W
Tip element de încălzire	Cuarț
Timp de încălzire	20 de secunde
Lungime de undă	1,4-3,0
Eficiență radiantă	60%
Distanță de încălzire	3-4m
Suprafață de încălzire	15m ²
Dispozitiv electronic pentru controlul pornirii	Da
Clasă de protecție împotriva pătrunderii lichidelor	IP34
Clasa de protecție	Clasa I
Masă	1,50 kg

DESCRIERE

Numerele din text se referă la diagramele de la paginile 2-4.

1. Încălzitor
2. Grilaj de protecție
3. Indicator pentru nivelul de alimentare
4. Cablu de alimentare
5. Cablu de tragere (comutator pornit/oprit)
6. Tub superior
7. Suport de cablu mic
8. Tub de mijloc
9. Suport de cablu mare
10. Tub inferior
11. Capac
12. Placă de bază
13. Bolț lung
14. Bolț scurt
15. Inel de prindere
16. Tub extensibil
17. Șuruburi

3. ASAMBLAREA



Acest încălzitor trebuie instalat de o persoană competentă, adică de un electrician calificat.



Deconectați întotdeauna încălzitorul de la sursa de alimentare electrică și lăsați-l să se răcească înainte de instalare.

Asamblarea încălzitorului (Fig. B-F)



Montați întotdeauna dispozitivul cu accesoriile furnizate.

Înainte de a începe asamblarea dispozitivului, luați în considerare următoarele:

- Poziționați dispozitivul pe o suprafață fermă și dreaptă. Dispozitivul nu trebuie să fie niciodată așezat înclinat!
 - Dispozitivul trebuie amplasat astfel încât să existe 100 cm de spațiu liber între încălzitor și obiect sau perete, măsurat din față sau lateral. Între sol și partea inferioară a dispozitivului trebuie să existe o distanță de cel puțin 1,80 m. Între dispozitiv și tavan trebuie să existe un spațiu liber de cel puțin 30 cm.
 - Nu instalați încălzitorul pe sau în apropierea unei suprafețe inflamabile.
 - În cazul în care încălzitorul trebuie utilizat în exterior, este foarte recomandată o priză rezistentă la intemperii.
 - Înainte de găurire, asigurați-vă că nu există fire sau conducte de apă în zona în care trebuie instalat încălzitorul.
1. Începeți prin a monta tubul inferior (10) pe placa de bază (12). Strângeți șuruburile lungi (13) așa cum se arată în figura B.
 2. Glisați capacul (11) pe tubul inferior (10), așa cum se arată în figura B. Acest lucru va ascunde șuruburile (13).
 3. Luați un suport mare de cablu (9) și puneți-l pe tubul din mijloc (8) așa cum se arată în figura C.
 4. Acum puneți tubul din mijloc (8) pe tubul inferior (10). Asigurați-vă că găurile din ambele tuburi sunt aliniată. Acum strângeți cu șuruburile scurte (14), așa cum se arată în figura C.
 5. Luați un suport de cablu mare (9) și puneți-l pe tubul superior (6), așa cum se arată în figura D.
 6. Acum puneți tubul superior (6) pe tubul din mijloc (18). Asigurați-vă că găurile din ambele

tuburi sunt aliniată. Acum strângeți cu șuruburile scurte (14), așa cum se arată în figura D.

7. Deșurubați inelul de strângere (15) de pe tubul superior (6), rotindu-l în sens invers acelor de ceasornic. Acum, tubul extensibil (16) poate fi extins în sus prin tragere.
8. Când se atinge înălțimea dorită, îndreptați inelul de strângere (15) de pe tubul superior (6), rotindu-l în sensul acelor de ceasornic.
9. Luați suportul mic de cablu (7) și puneți-l pe tubul extensibil (16), așa cum se arată în figura D.
10. Glisați orificiul de pe partea inferioară a încălzitorului (1) pe tubul extensibil (16), așa cum se arată în figura E.
11. Asigurați-vă că cele două găuri din încălzitor (1) se aliniază cu găurile din tubul extensibil (16).
12. Acum fixați încălzitorul (1) în poziție prin strângerea șuruburilor (17) în orificiile tubului extensibil (16) și, astfel, a încălzitorului.
13. Fixați cablul de alimentare (4) cu ajutorul suportului de cablu mic (7) și al suportului de cablu mare (9). Consultați Figura F.
14. Înclinați aparatul la unghiul dorit. Dispozitivul poate fi înclinat în jos cu 45°, așa cum se arată în figura G.

4. OPERAREA

Pornirea/oprirea (Fig. A)

Încălzitorul poate fi pornit și oprit cu ajutorul cablului de tracțiune. Trageți de cablul comutatorului de tragere (5) până când pe indicatorul nivelului de încălzire (3) apare nivelul de încălzire dorit:

- Nivelul 0 = dezactivat
- Nivelul 1 = 730W
- Nivelul 2 = 1460W
- Nivelul 3 = 2200W

Pentru a opri încălzitorul, duceți cablul comutator (5) în poziția de nivel 0.

Comutator de siguranță în caz de răsturnare (Fig. A)

Acest încălzitor este prevăzut cu un întrerupător de siguranță la răsturnare. În cazul în care aparatul de încălzire cade, acesta se oprește automat. Vă rugăm să rețineți că, atunci când încălzitorul este readus în poziție verticală, acesta nu își reia imediat funcționarea. Mai întâi opriți-l (citiți „Pornirea/oprirea”), scoateți ștecherul din priză și verificați dacă încălzitorul este deteriorat. În caz de deteriorare sau de funcționare defectuoasă, nu utilizați,

ci verificați-l/reparați-l. În cazul în care nu există nicio deteriorare, puteți porni din nou încălzitorul (consultați „pornirea/oprirea”).

5. ÎNTREȚINERE



Asigurați-vă întotdeauna că aparatul nu este conectat la rețeaua electrică atunci când efectuați lucrări de întreținere a mecanismului.



PRECAUȚIE: Pericol de electrocutare. NU deschideți și nu încercați să reparați dvs. încălzitorul.

Curățați regulat carcasa cu o cârpă moale, de preferat după fiecare utilizare. Curățați fantele de aerisire de praf și murdărie. Îndepărtați murdăria persistentă cu o cârpă moale înmuiată în clăbuci de săpun. Nu folosiți solvenți precum benzină, alcool, amoniac, etc. Astfel de substanțe chimice vor deteriora componentele sintetice.

- NU folosiți alcool, benzină, pulberi abrazive, soluții pentru lustruit mobila sau perii aspre pentru a curăța încălzitorul. Acest lucru poate cauza defectarea sau deteriorarea suprafeței încălzitorului.
- NU scufundați încălzitorul în apă.
- Așteptați până când încălzitorul este complet uscat înainte de utilizare.

ATENȚIE:

- Deconectați întotdeauna încălzitorul de la sursa de alimentare electrică și lăsați-l să se răcească înainte de a încerca să îl curățați.
- Dacă încălzitorul a acumulat praf sau murdărie în interiorul unității sau în jurul elementului de încălzire, acesta trebuie curățat de către un agent de service calificat. Nu folosiți încălzitorul în această stare.
- Singura întreținere necesară este curățarea suprafețelor exterioare ale încălzitorului.
- Nu atingeți elementul de încălzire cu degetele goale, deoarece murdăria de pe mâinile dvs. ar putea afecta durata de viață a lămpii. Dacă este atins accidental, îndepărtați urmele degetelor cu o cârpă moale umezită cu alcool metilic sau alcool.
- Nu încercați să reparați sau să reglați funcțiile electrice sau mecanice ale acestui încălzitor.

- Încălzitorul nu conține componente care pot fi reparate de către utilizator. În cazul în care produsul prezintă daune sau defecțiuni, acesta trebuie returnat producătorului sau agentului de service.
- Cablurile de alimentare deteriorate trebuie înlocuite de producător, agentul de service sau de o persoană calificată în mod similar, pentru a evita pericolele.

Depozitarea

Pentru a preveni acumularea de praf și murdărie, păstrați încălzitorul într-un loc răcoros și uscat atunci când nu îl folosiți. Utilizați cutia de ambalare pentru depozitare.

Depanarea

Dacă încălzitorul nu funcționează, vă rugăm să verificați următoarele aspecte înainte de a solicita reparații sau service:

- Verificați dacă cablul de alimentare este conectat la o priză electrică; dacă nu este conectat, conectați-l
- Verificați dacă există curent electric la siguranța principală
- Asigurați-vă că întrerupătoarele de alimentare sunt pornite; în caz contrar, alegeți o setare.

MEDIU



Aparatele electrice sau electronice deteriorate și/sau defecte trebuie colectate în locurile de reciclare corespunzătoare.

Numai pentru țările din CE

Nu aruncați echipamentele acționate electric împreună cu gunoii menajeri. Conform Indicației europene 2012/19/EU pentru echipamente electrice și electronice uzate și a implementării sale la nivel național, echipamentele acționate electric scoase din uz trebuie colectate separat și evacuate într-o manieră ecologică.

GARANȚIE

Produsele VONROC sunt realizate la cele mai înalte standarde de calitate și sunt garantate în privința materialelor și a manoperei pentru întreaga perioadă de utilizare în garanție, începând cu data achiziției. În cazul în care produsul se defectează în timpul perioadei de utilizare, contactați direct VONROC.

Următoarele circumstanțe sunt excluse de la această garanție:

- Reparațiile sau modificările care realizate sau care s-au încercat a fi efectuate de centre de service neautorizate.
- Uzura în condiții normale.
- Unealta care a fost abuzată, utilizată într-un mod neglijent sau întreținută în mod inadecvat.
- Folosirea unor piese de schimb neoriginale.

Aceasta acoperă garanția companiei, explicită sau implicită. Nu există alte garanții explicite sau implicite care să se extindă dincolo de cele indicate aici, incluzând garanțiile, vandabilitatea sau adecvarea pentru un anumit scop. În nicio situație, VONROC nu este responsabil pentru daunele incidentale sau consecvențiale. Reparațiile efectuate de reprezentant trebuie să fie limitate la reparațiile sau la înlocuirea unităților sau a pieselor neconforme.

Produsul și manualul de utilizare pot suferi modificări. Specificațiile se pot modifica fără notificare prealabilă.

1. GÜVENLİK TALİMATLARI

Ekteki güvenlik uyarılarını, ilave güvenlik uyarılarını ve talimatları okuyun. Güvenlik uyarılarını ve talimatları izlememek elektrik çarpması, yangın ve/veya ciddi yaralanma ile sonuçlanabilir. Güvenlik uyarılarını ve talimatları gelecekte referans olması için saklayın.

Aşağıdaki semboller kullanıcı kılavuzunda veya ürün üzerinde kullanılmaktadır:



Kullanım kılavuzunu okuyun.



Bu kılavuzdaki talimatlara uyulmaması fiziksel yaralanma, can kaybı veya ısıtıcının hasar görme riskini beraberinde getirir.



Elektrik çarpması riski.



Uyarı: sıcak yüzey!



Cihazın üzerini örtmeyin.



Topraklama simgesi. Bu cihaz, koruma sınıfı I olarak sınıflandırılır ve topraklanmış bir elektrik prizine bağlanmalıdır.



Ürün, Avrupa yönergelerindeki geçerli güvenlik standartlarına uygundur.

GENEL GÜVENLİK UYARILARI

BU TALİMATLAR DİKKATLİCE OKUNMALI VE GELECEKTE BAŞVURMAK ÜZERE SAKLANMALIDIR. Bu talimatlara uyulmamasından kaynaklanan herhangi bir zararla ilgili üretici sorumlu tutulamaz.

Bu cihaz, cihazın güvenli bir şekilde kullanımıyla ilgili gözetim mevcutsa veya kullanımla ilgili talimatları ve ilgili tehlikeleri anlıyorsa, 8 yaş ve üzeri çocukların yanı sıra fiziksel, duyuşsal veya zihinsel yetenekleri sınırlı veya yeterli deneyim ve bilgiden yoksun kişiler tarafından kullanılabilir. Çocukların cihazla oynamasına izin vermeyin. Eğer gözetim altında değillerse temizlik ve kullanıcı bakımı çocuklar tarafından yapılamaz.

Sürekli gözetim altında tutulmadıkları sürece 3 yaşından küçük çocuklardan uzak tutulmalıdır. 3 yaşından büyük ve 8 yaşından küçük çocuklar,

cihazı ancak cihaz kullanım için amaçlanan normal çalışma konumuna yerleştirilmiş veya kurulmuşsa ve kendilerine cihazın güvenli bir şekilde kullanımıyla ilgili denetim veya talimat verilmişse ve içerdiği tehlikeleri anlayabilecek durumdaysalar cihazı açıp kapatabilir. 3 yaşından büyük ve 8 yaşından küçük çocukların, cihazın fişini prize takmalarına, cihazı ayarlamalarına ve temizlemelerine veya cihazda kullanıcı bakımı yapmalarına izin verilmez.

DİKKAT — Bu ürünün bazı parçaları aşırı ısınabilir ve yanıklara neden olabilir. Çocukların ve yardıma ihtiyacı olan kişilerin bulunduğu yerlerde özel dikkat gösterilmelidir.

ÖNEMLİ GÜVENLİK TALİMATLARI

DİKKATLİCE OKUYUN-Kızılötesi ısıtıcı, güvenli çalışacak şekilde tasarlanmıştır. Yine de ısıtıcının montajı, bakımı ve çalıştırılması tehlikeli olabilir. Aşağıdaki prosedürlere uyulması yangın, elektrik çarpması, fiziksel yaralanma riskini azaltacak ve kurulum süresini minimumda tutacaktır. Bu talimatları ilerde kullanmak üzere saklayın.

- Bu ısıtıcıyı kullanmadan önce tüm talimatları okuyun.
- Üniteyi ambalajından çıkarın ve kullanmadan önce iyi durumda olup olmadığını kontrol edin.
- Çocukların ambalaj parçalarıyla (plastik poşetler gibi) oynamasına izin vermeyin.
- Isıtıcının nominal özelliklerine uygun olduğundan emin olmak için ev voltajını kontrol edin.
- Hasar görmediklerinden emin olmak için kullanmadan önce elektrik kablosunu ve fişi dikkatlice kontrol edin.
- Fişini prizden çıkarmadan önce gücü kesinlikle kapatın ve üniteye enerji verirken elektrik çarpmasını önlemek için ellerinizin kuru olduğundan emin olun.
- Teras radyatörünü sadece açık havada veya geniş bir açık alanda kullanın. Tente, şemsiye, ağaç dalı, mobilya, perde, kağıt vb. gibi tüm yanıcı nesnelere cihazdan uzak (sabit olmayan nesnelere bile olsa en az 1 metre mesafede) tutun. Duvarlara olan mesafe en az 1 metre olmalıdır. Baş kısmı, yerden en az 180 cm yukarıda olmalıdır. Cihazı bir çatı altına yerleştirseniz, teras radyatör kapağı ile (yanmaz) tavan arasında en az 50 cm boşluk bırakılmalıdır. Yanıcı malzemeden oluşan (ahşap, plastik, branda vb.) bir çatıda bu mesafe en az 1 metre olmalıdır. Daima iyi havalandırma sağlayın!

- Cihazı bir duvar prizinin hemen üstüne veya altına koymayın (yakınına değil).
- Teras ısıtıcısı yalnızca evde kullanım için tasarlanmıştır. Bu nedenle, büyük ölçüde açık alan olsalar bile şantiyelerde, seralarda, ahırlarda veya ağıllarda vb. kullanmamalısınız. Bu tür yerlerde genellikle çok fazla yanıcı malzeme bulunur.
- Bu teras ısıtıcısını sauna ısıtması veya sürekli bir alan veya oda ısıtıcısı olarak kullanmayın.
- Bu teras ısıtıcısını bir köpek kulübesi veya hayvanların bulunduğu başka bir yerde kullanmayın.
- Banyo veya yüzme havuzunun veya herhangi bir sıvı kaynağının yakınında veya etrafında kullanmayın. Cihaz su sıçramasına karşı dayanıklı olsa da, daima suya dikkat etmeniz gerekir. Suya düşmeyeceğinden emin olun ve güçlü su fışkıyelerine maruz bırakmayın. Tehlikeli olduğundan ıslak ellerle dokunmayın ve cihazı banyo, tuvalet, yüzme havuzu veya diğer su kaynaklarının hemen yakınına yerleştirmeyin.
- Elektrik çarpmasına karşı korunmak için, kabloyu veya fişi suya veya başka bir sıvıya batırmayın.
- Herhangi bir havalandırma veya egzoz açıklığına yabancı nesnelere sokmayın veya girmesine izin vermeyin çünkü bu, elektrik çarpmasına, yangına veya ısıtıcıda hasara neden olabilir.
- Yeterli ışık olduğundan emin olun. Cihaz üzerindeki düğmeler 1 metre mesafeden düzgün bir şekilde görülebilmelidir.
- Kullanılmadığında ısıtıcının fişini daima çekin. Cihazı kullanırken asla başıboş bırakmayın, kapatıp fişini çekin. Cihazı bir programlayıcı, zamanlayıcı veya cihazı otomatik olarak açan başka bir cihazla kullanmayın.
- Isıtıcıyı dimmer, hız kontrol cihazı vb. gibi harici bir voltaj regülatörü ile kullanmayın. Bu, elektriksel bir tehlike oluşturur.
- Kablonun kenarlardan (keskin) sarkmamasına, aşırı kıvrılmamasına ve sıcak yüzeylere değmesine dikkat edin. Kabloyu cihazın etrafına sarmayın.
- Kablonun çocuklar tarafından kolayca çekilebilecek şekilde tezgahın sarkmasına izin vermeyin.
- Çalıştırma sırasında ızgaraya parmaklarınızı veya yabancı nesne koymayın.
- Aleti kullanım sırasında başıboş ve gözetimsiz bırakmayın.
- Bu ısıtıcı banyo, çamaşırhane ve benzeri kapalı mekanlarda kullanılmak üzere tasarlanmamıştır,

ısıtıcıyı asla kuvvet veya başka bir su kabına düşebileceği yerlere koymayın.

- Bu talimatlara uyulmamasından veya başka herhangi bir uygunsuz veya yanlış kullanımdan kaynaklanan herhangi bir hasar için sorumluluk kabul edilmez.
- Bu cihaz, cihazın güvenli bir şekilde kullanımıyla ilgili gözetim mevcutsa veya kullanımla ilgili talimatları ve ilgili tehlikeleri anlıyorsa, 8 yaş ve üzeri çocukların yanı sıra fiziksel, duyuşsal veya zihinsel yetenekleri sınırlı veya yeterli deneyim ve bilgiden yoksun kişiler tarafından kullanılabilir. Çocukların cihazla oynamasına izin vermeyin. Eğer gözetim altında değilse temizlik ve kullanıcı bakımı çocuklar tarafından yapılamaz.
- Herhangi bir nedenle cihazda çatlak veya kırılma meydana gelirse veya alüminyum gövde veya herhangi bir parçada herhangi bir kusur veya kesinti tespit ederseniz, derhal cihazın çalışmasını durdurun ve fişi prizden çıkarın.
- Güç kablosu herhangi bir şekilde hasar gördüyse, tehlikeden kaçınmak için üretici, servis sorumlusu veya bu gibi kalifiye kişiler tarafından değiştirilmelidir.
- Bu cihazın aşırı ısınmasını önlemek için hava girişlerini ve çıkışlarını temiz tutun ve tıkanmaya neden olabilecek her şeyi temizleyin. Herhangi bir kir veya toz birikintisi bulunmadığından emin olmak için tüm giriş ve çıkışları sıkça kontrol edin. ÜZERİNİ ÖRTMEYİN. Ayrıca, cihazın üzerinin örtülmemesi için uyarı etiketi kurulumdan sonra açıkça görülebilen bir yere yerleştirilmelidir: bu nedenle ilgili etiket cihazın arkasında olmamalıdır.
- Isıtıcı parçalarının sıcaklığı 200°C'yi aşabilir, ısıtma borusu, reflektör veya ısıtma borusunun yakınındaki metal parçalarla temas şiddetli YANIKLARA neden olabilir. Yanıkları önlemek için çıplak cildin sıcak yüzeye temas etmesine izin vermeyin.
- Ellerinizi ASLA ısıtma elemanlarının altına koymayın. DAİMA ısıtıcı borusuna veya bitişik parçalara dokunmadan önce ısıtma elemanının en az 10 dakika soğumasını bekleyin.
- Cihazın yakın çevresinde yanıcı sıvı veya boya, benzin, gaz tankı vb. malzemeleri saklamayın. Cihazı, yakında yanıcı gaz tankları, gaz tüpleri veya sprey kutuları gibi nesnelere bulunan yanıcı ortamlarda kullanmayın. Patlama ve yangın tehlikesi!
- Bu ürün geri dönüştürülebilir malzemeler içerir. Bu ürünü ayrıştırılmamış evsel atıklarla birlikte atmayın. Lütfen en yakın toplama noktası için yerel yetkililerinizle iletişime geçin.

Elektrik güvenliği



Daima güç kaynağı geriliminin anma değerleri plakasındaki gerilime karşılık gelip gelmediğini kontrol edin.

- Güç kaynağı kablosu veya şebeke fişi hasar görmüşse makineyi kullanmayın.
- Sadece makinenin güç değerleri açısından uygun, minimum 1,5 mm² kalınlığa sahip uzatma kabloları kullanın. Bir uzatma kablosu makarası kullanıyorsanız kabloyu daima tam olarak açın.

2. MAKİNE BİLGİSİ

Kullanım amacı

Bu ürün, ev ortamları için teras ısıtıcı ayağı olarak tasarlanmıştır. Isıtıcı, evlerdeki özel bahçeler veya diğer açık alanlar için tasarlanmıştır. Isıtıcı, bir kapalı alanı ısıtmak, ev tipi olmayan açık alan ısıtıcısı olarak kullanmak veya tekstil ürünleri veya diğer malzemeleri kurutmak için kullanılmaz. Bu ısıtıcıda, oda sıcaklığını kontrol eden bir düzener bulunmadığı için, sürekli gözetim sağlanmadığı sürece, bu ısıtıcıyı odayı kendi başlarına terk edemeyecek durumdaki kişilerin bulunduğu alanlarda kullanmayın. Bu cihaz sadece tasarlandığı amaç için kullanılmalıdır. Başka her türlü kullanımın kötüye kullanım olduğu kabul edilir.

TEKNİK SPESİFİKASYONLAR

Model No.	PH511AC
Voltaaj	220-240 V ~
Frekans	50-60 Hz
Güç	2200W
Güç ayarları	1: 730W 2: 1460W 3: 2200W
Isıtma elemanı türü	Kuvars
Isınma süresi	20 saniye
Dalga uzunluğu	1,4-3,0
Erkesel verim	60%
Isıtma mesafesi	3-4m
Isıtma alanı	15m ²
Elektronik yumuşak başlatma	Evet
Giriş koruma sınıfı	IP34
Koruma sınıfı	Sınıf I
Ağırlık	1,50 kg

AÇIKLAMA

Metindeki numaralar sayfa 2-4 'deki çizimleri işaret etmektedir.

1. Isıtıcı
2. Koruyucu izgara
3. Güç seviyesi göstergesi
4. Elektrik kablosu
5. Çekme kordonu (açma/kapama düğmesi)
6. Üst boru
7. Küçük kablo tutucu
8. Orta boru
9. Büyük kablo tutucu
10. Alt boru
11. Kapak
12. Taban plakası
13. Uzun civata
14. Kısa civata
15. Sıkıştırma halkası
16. Uzatılabilir boru
17. Vidalar

3. MONTAJ



Bu ısıtıcı, örneğin kalifiye bir elektrikçi gibi yetkili kişiler tarafından kurulmalıdır.



Montaj öncesinde daima ısıtıcıyı güç kaynağından ayırın ve soğumasını bekleyin.

Isıtıcının monte edilmesi (Şekil B-F)



Cihazı her zaman birlikte verilen aksesuarlarla monte edin.

Cihazı monte etmeye başlamadan önce aşağıdakileri göz önünde bulundurun:

- Cihazı sağlam ve düz bir yüzeye yerleştirin. Cihaz asla bir açıyla yerleştirilmemelidir!
- Cihaz, ısıtıcı ile nesne veya duvar arasında önden veya yandan ölçüldüğünde 100 cm boşluk kalacak şekilde yerleştirilmelidir. Zemin ile cihazın alt tarafı arasında en az 1,80 m mesafe olmalıdır. Cihaz ile tavan arasında en az 30 cm boşluk olmalıdır.
- Isıtıcıyı yanıcı bir yüzeye veya böyle bir yüzeyin yakınına kurmayın.
- Isıtıcı açık alanda kullanılacaksa, hava koşullarına dayanıklı bir priz şiddetle tavsiye edilir.
- Delmeden önce, ısıtıcının kurulacağı alanda elektrik kablosu veya su borusu olmadığından emin olun.

1. Alt boruyu (10) taban plakasına (12) monte ederek başlayın. Uzun civataları (13) Şekil B'de gösterildiği gibi sıkın.
2. Kapağı (11) Şekil B'de gösterildiği gibi alt borunun (10) üzerine kaydırın. Bu, civataların (13) görünür olmasını önleyecektir.
3. Büyük bir kablo tutucuyu (9) alın ve Şekil C'de gösterildiği gibi orta borunun (8) üzerine koyun.
4. Şimdi orta boruyu (8) alt borunun (10) üzerine yerleştirin. Her iki borudaki deliklerin aynı hizada olduğundan emin olun. Şimdi de kısa civataları (14) Şekil C'de gösterildiği gibi sıkın.
5. Büyük bir kablo tutucuyu (9) alın ve Şekil D'de gösterildiği gibi üst borunun (6) üzerine koyun.
6. Şimdi üst boruyu (6) orta borunun (18) üzerine yerleştirin. Her iki borudaki deliklerin aynı hizada olduğundan emin olun. Şimdi de kısa civataları (14) Şekil D'de gösterildiği gibi sıkın.
7. Üst boru (6) üzerindeki sıkıştırma halkasını (15) saat yönünün tersine çevirerek gevşetin. Artık uzayabilen boru (16) çekilerek yukarı doğru uzatılabilir.
8. İstenen yüksekliğe ulaşıldığında, üst boru (6) üzerindeki sıkıştırma halkasını (15) saat yönünde çevirerek sıkın.
9. Küçük bir kablo tutucuyu (7) alın ve Şekil D'de gösterildiği gibi uzatılabilir borunun (16) üzerine koyun.
10. Isıtıcının (1) alt tarafındaki deliği, Şekil E'de gösterildiği gibi uzatılabilir borunun (16) üzerine kaydırın.
11. Isıtıcıdaki (1) iki deliğin, uzatılabilir borudaki (16) deliklerle aynı hizada olduğundan emin olun.
12. Şimdi vidaları (17) uzatılabilir borunun (16) ve dolayısıyla ısıtıcının deliklerine sıkarak ısıtıcıyı (1) yerine sabitleyin.
13. Küçük kablo tutucuyu (7) ve büyük kablo tutucularını (9) kullanarak güç kablosunu (4) sabitleyin. Bkz. Şekil F.
14. Cihazı istenen açıda eğin. Cihaz, Şekil G'de gösterildiği gibi 45° aşağı eğilebilir.

4. ÇALIŞTIRMA

Makineyi açma/kapatma (Şekil A)

Isıtıcı, sadece çekme kordonu kullanılarak açılıp kapatılabilir. Isıtma seviyesi göstergesinde (3) istenen ısıtma seviyesi görünene kadar çekme anahtarının (5) kordonunu çekin:

- Seviye 0 = kapalı
- Seviye 1 = 730W

- Seviye 2 = 1460W
- Seviye 3 = 2200W

Isıtıcıyı kapatmak için çekme anahtarının (5) konumunu 0 seviye konumuna çekin.

Devrilme emniyet düğmesi (Şekil A)

Bu ısıtıcı, bir devrilme emniyet düğmesi mevcuttur. Isıtıcı, devrilmesi durumunda, otomatik olarak kapanır. Isıtıcı dik konuma getirildiğinde hemen çalışmaya devam etmediğini lütfen unutmayın. Önce cihazı kapatın ("açma/kapatma" bölümünü okuyun), fişi prizden çekin ve ısıtıcıda hasar olup olmadığını kontrol edin. Hasar veya arıza durumunda kullanmayınız, kontrol/tamir için başvurun. Herhangi bir hasar yoksa, ısıtıcıyı tekrar açabilirsiniz ("açma/ kapatma" bölümünü okuyun).

5. BAKIM



Mekanizmada bakım yaparken makine fişinin prize bağlı olmadığından daima emin olun.



DİKKAT: Elektrik Çarpması Riski. Isıtıcının için kendi başınıza açmaya veya tamir etmeye ÇALIŞMAYIN.

Makine kaplamalarını yumuşak bir bezle, tercihen her kullanımdan sonra düzenli olarak temizleyin. Havalandırma deliklerinin toz ve kirden arınmış olduğundan emin olun. Çok inatçı kirleri sabunlu suyla hafif ıslatılmış, yumuşak bir bezle çıkarın. Benzin, alkol, amonyak vs. gibi çözücü maddeleri kullanmayın. Bunlar gibi kimyasallar sentetik bileşenlere zarar verecektir.

- Isıtıcıyı temizlemek için alkol, benzin, aşındırıcı tozlar, mobilya cilası veya sert fırçalar KULLANMAYIN. Bu, ısıtıcının yüzeyinde hasara veya bozulmaya neden olabilir.
- Isıtıcıyı asla suya DALDIRMAYIN
- Kullanmadan önce ısıtıcının tamamen kurummasını bekleyin.

DİKKAT:

- Temizlik öncesinde daima ısıtıcıyı güç kaynağından ayırın ve soğumasını bekleyin.
- Isıtıcıda, ünitenin içinde veya ısıtma elemanının çevresinde toz veya kir birikmişse, ürün yetkili bir servis merkezi tarafından temizlenmelidir.

- Isıtıcıyı bu durumda çalıştırmayın.
- Gereken tek bakım, ısıtıcının dış yüzeylerinin temizlenmesidir.
- Ellerinizdeki kirler lambanın ömrünü etkileyebileceğinden, ısıtma elemanına çıplak elle dokunmayın. Yanlışlıkla dokunulursa, parmak izlerini mentollü ispirto veya alkolle hafif ıslatılmış yumuşak bir bezle silin.
- Bu ısıtıcıdaki herhangi bir elektriksel veya mekanik bileşeni kendiniz onarmaya veya ayarlamaya çalışmayın.
- Isıtıcı, kullanıcı tarafından bakımı yapabilir herhangi bir parça içermez. Ürün hasar görürse veya arızalanırsa, üreticiye veya yetkili servise gönderilmelidir.
- Tehlikeyi önlemek için, hasarlı elektrik kabloları, üretici, yetkili servis veya benzer niteliklere sahip kişiler tarafından değiştirilmelidir.

Saklama

Toz ve kir oluşumunu önlemek için, kullanılmadığında ısıtıcıyı serin ve kuru bir yerde saklayın. Muhafaza etmek için ambalaj kartonu kullanın.

Sorun Giderme

Isıtıcı çalışmıyorsa, onarım veya servis bakımı öncesinde lütfen aşağıdakileri kontrol edin:

- Elektrik kablosunun prize takılı olup olmadığını kontrol edin.
- Ana sigortaya giden elektriğin çalışıp çalışmadığını kontrol edin.
- Güç düğmelerinin açık olduğundan emin olun, eğer değilse, bir ayar seçin.

CEVRE



Arızalı ve/veya atılmış elektrikli veya elektronik ekipmanların uygun geri dönüşüm konularında toplanması gerekir.

Yalnızca AT ülkeleri için

Elektrikli aletleri evsel atık olarak atmayın. Atık Elektrikli ve Elektronik Donanım için Avrupa İlkeleri 2012/19/EU'ya ve bunun yerel hukuk çerçevesinde uygulamasına göre, artık kullanılamaz olan elektrikli aletler ayrı olarak toplanmalı ve çevre dostu bir yolla imha edilmelidir.

GARANTİ

VONROC ürünleri yüksek kalite standartları doğrultusunda geliştirilmiştir ve ilk satın alımdan itibaren kanunen belirlenen süre boyunca materyal ve işçilik açısından kusursuz olacağı garanti edilmektedir. Bu süre zarfında, kusurlu materyal ve/veya işçilikten dolayı urunde herhangi bir arıza meydana gelmesi durumunda, doğrudan VONROC iletişim kurun.

Takip eden durumlar bu garanti kapsamı dışındadır:

- Yetkisiz servis merkezleri tarafından yapılan veya yapılmaya teşebbüs edilen onarım ve/veya değişiklikler.
- Normal aşınma ve eskime.
- Cihazın kötü ve yanlış kullanılması veya cihaza yanlış bakım yapılması.
- Orijinal olmayan yedek parçaların kullanılması

Bu, şirket tarafından açık ya da zımni verilmiş tek garantiyi oluşturur. Belirli bir amaç için ticarete elverişlilik ve uygunluğun zımni garantileri dahil dış görüşünün ötesine uzanan açık veya zımni başka hiçbir garanti yoktur. VONROC herhangi bir arıza veya dolaylı zarardan hiçbir halukarda sorumlu olmayacaktır. Bayilerin getireceği çözümler uygunsuz birimlerin veya parçaların onarımı veya değiştirilmesiyle sınırlı olacaktır.

Ürün ve kullanıcı kılavuzu değişikliğe tabidir.
Spesifikasyonlar başka bir uyarı olmaksızın değiştirilebilir.



DECLARATION OF CONFORMITY PH511AC - PATIO HEATER AMIATA ON STAND

- (EN) We declare under our sole responsibility that this product is in conformity with directive 2011/65/EU of the European parliament and of the council of 8 June on the restriction of the use of certain hazardous substances in electrical and electronic equipment is in conformity and accordance with the following standards and regulations:
- (DE) Der Hersteller erklärt eigenverantwortlich, dass dieses Produkt der Direktive 2011/65/EU des Europäischen Parlaments und des Rats vom 8. Juni 2011 über die Einschränkung der Anwendung von bestimmten gefährlichen Stoffen in elektrischen und elektronischen Geräten entspricht. den folgenden Standards und Vorschriften entspricht:
- (NL) Wij verklaren onder onze volledige verantwoordelijkheid dat dit product voldoet aan de conform Richtlijn 2011/65/EU van het Europees Parlement en de Raad van 8 juni 2011 betreffende beperking van het gebruik van bepaalde gevaarlijke stoffen in elektrische en elektronische apparatuur en in overeenstemming is met de volgende standaarden en reguleringen:
- (FR) Nous déclarons sous notre seule responsabilité que ce produit est conforme aux standards et directives suivants: est conforme à la Directive 2011/65/EU du Parlement Européen et du Conseil du 8 juin 2011 concernant la limitation d'usage de certaines substances dangereuses dans l'équipement électrique et électronique.
- (ES) Declaramos bajo nuestra exclusiva responsabilidad que este producto cumple con las siguientes normas y estándares de funcionamiento: se encuentra conforme con la Directiva 2011/65/UE del Parlamento Europeo y del Consejo de 8 de junio de 2011 sobre la restricción del uso de determinadas sustancias peligrosas en los equipos eléctricos y electrónicos.
- (IT) Dichiariamo, sotto la nostra responsabilità, che questo prodotto è conforme alle normative e ai regolamenti seguenti: è conforme alla Direttiva 2011/65/UE del Parlamento Europeo e del Consiglio dell'8 giugno 2011 sulla limitazione dell'uso di determinate sostanze pericolose nelle apparecchiature elettriche ed elettroniche.
- (SV) Vi garanterar på eget ansvar att denna produkt uppfyller och följer följande standarder och bestämmelser: uppfyller direktiv 2011/65/EU från Europeiska parlamentet och EG-rådet från den 8 juni 2011 om begränsningen av användning av farliga substanser i elektrisk och elektronisk utrustning.
- (DA) Vi erklærer under eget ansvar, at dette produkt er i overensstemmelse med følgende standarder og bestemmelser: er i overensstemmelse med direktiv 2011/65/EU fra Europa-Parlamentet og Rådet af 8. juni 2011 om begrænsning af anvendelsen af visse farlige stoffer i elektrisk og elektronisk udstyr.
- (PL) Deklarujemy na własną odpowiedzialność, że ten produkt spełnia wymogi zawarte w następujących normach i przepisach: jest zgodny z Dyrektywą 2011/65/UE Parlamentu Europejskiego i Rady z dnia 8 czerwca 2011 r. w sprawie ograniczenia stosowania niektórych niebezpiecznych substancji w sprzęcie elektrycznym i elektronicznym.
- (RO) Declarăm prin aceasta cu răspunderea deplină că produsul acesta este în conformitate cu următoarele standarde sau directive: este în conformitate cu Directiva 2011/65/UE a Parlamentului European și a Consiliului din 8 iunie 2011 cu privire la interzicerea utilizării anumitor substanțe periculoase la echipamentele electrice și electronice.
- (TR) Tek sorumlusu biz olmak üzere bu ürünün Avrupa Parlamentosunun 2011/65/EU ve 8 Haziran 2011 tarihli konseyin elektrikli ve elektronik ekipmanlarda belirlenmiş tehlikeli malzeme kullanımının kısıtlanması hakkındaki talimatları ile birlikte aşağıda belirtilen standart ve yönergelere uygun ve uyumlu olduğunu beyan ederiz:

EMC 2014/30/EU: EN 55014-1:2017, EN 55014-2:2015, EN IEC 61000-3-2:2019, EN 61000-3-3:2013+A1:2019

**LVD 2014/35/EU: EN 60335-2-30:2009+A11:2012,
EN 60335-1:2012+A11:2014+A13:2017+ A1:2019+A14:2019+A2:2019, EN 62233:2008**

ROHS 2011/65/EU&(EU)2015/863, WEEE 2012/19/EU

Zwolle, 01-12-2021

H.G.F Rosberg
CEO

VONROC • Lingenstraat 6 • 8028 PM Zwolle • The Netherlands



VONROC®
BUILD YOUR FUTURE

©2021 VONROC
WWW.VONROC.COM

2112-07