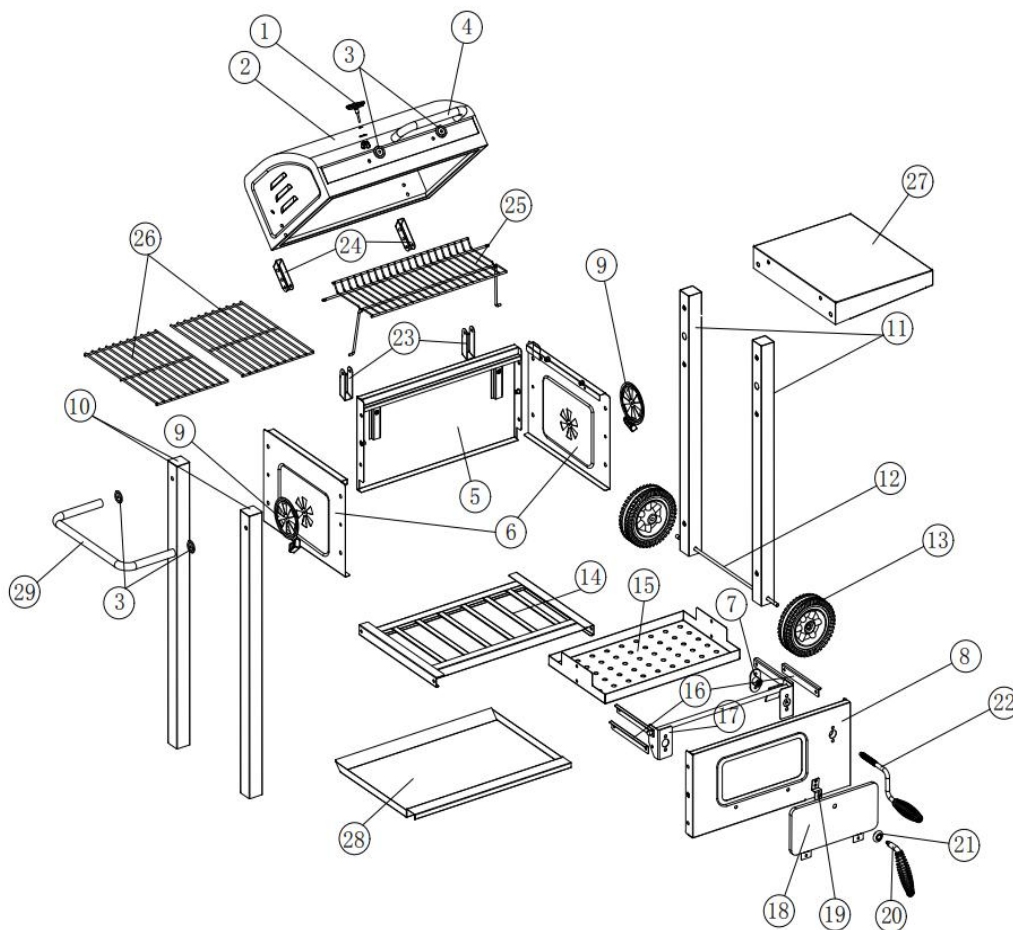


ASSEMBLY INSTRUCTIONS

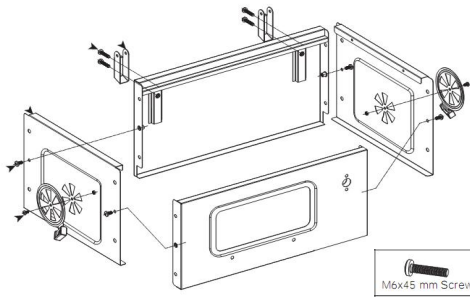


- Always install the barbecue on a solid level base, away from inflammable and meltable objects.
- Use the recommended fuel(s) and the maximum amount specified by the manufacturer.
- Carry out the correct lighting procedures.
- Heat up the barbecue and keep the fuel red hot for at least 30 min prior to the first cooking on the barbecue.
- Do not cook before the fuel has a coating of ash.
- For safety reasons, we advise to keep a bucket of water or sand nearby the burning barbecue.
- Always use dry and purified charcoal of the EN 1860-2 type
- **WARNING!** This barbecue will become very hot, do not move it during operation
- Do not use indoors!
- **WARNING!** Do not use spirit or petrol for lighting or re-lighting! Use only firelighters complying to EN 1860-3!
- **WARNING!** Keep children and pets away
- Do not use the barbecue in a confined and/or habitable space e.g. houses, tents, caravans, motor homes, boats. Danger of carbon monoxide poisoning fatality.
- Not suitable to use as fire pit.
- Wash thoroughly before first use.



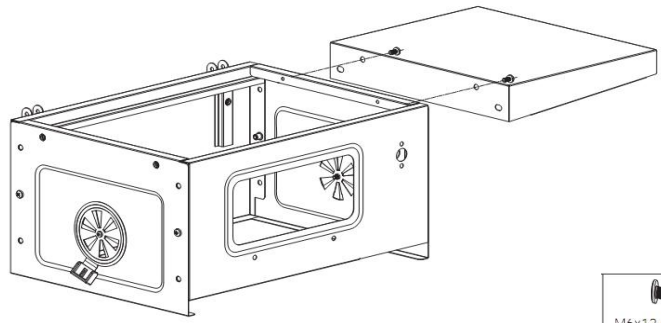
1. Thermometer	1
2. Lip	1
3. Cup for handle	4
4. Handle	1
5. Back plate for bowl	1
6. Side plate for bowl	2
7. Adjustment tube	1
8. Front plate for bowl	1
9. Air vent	2
10. Long leg	2
11. Wheel leg	2
12. Axle	1
13. Wheel	2
14. Bottom plate	1
15. Charcoal plate	1
16. Charcoal plate bar	2
17. Charcoal plate par	1
18. Door	1
19. Door buckle	1
20. door handle	1
21. Cup for handle	1
22. Adjustment handle	1
23. Hinge	2
24. Hinge	2
25. Warming grid	1
26. Cooking grid	2
27. Side table plate	1
28. Ash tray	1
29. Handle	1

STEP 1



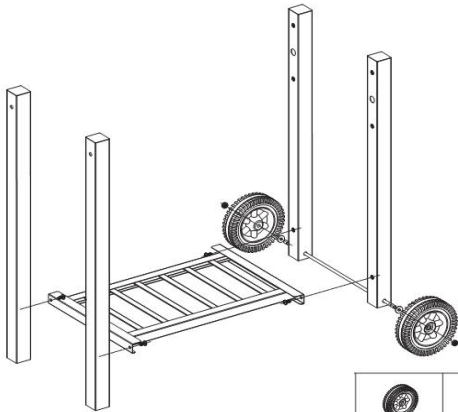
	4		2
	2		4





STEP 2



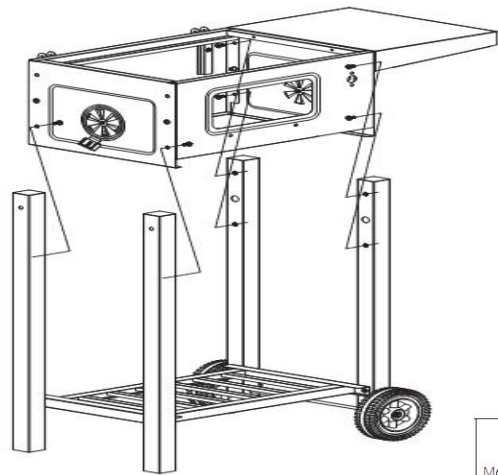
	2
---	---

STEP 3



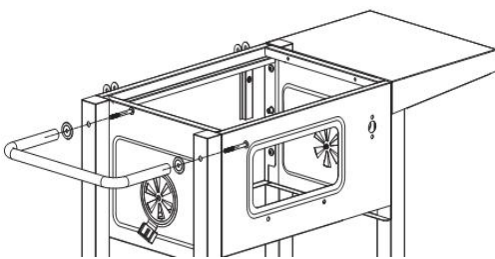
	2		2
	4		2

STEP 4



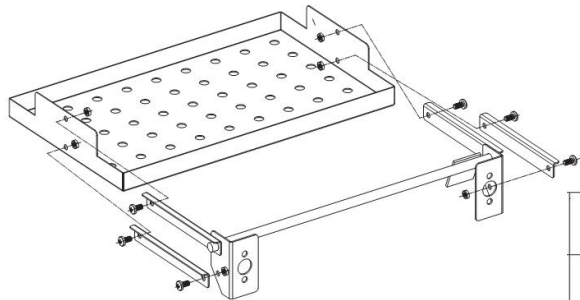
	4
---	---

STEP 5



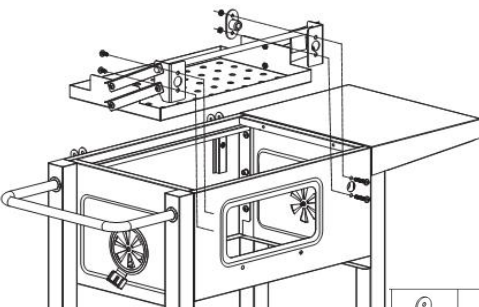
	2		2
---	---	---	---

STEP 6



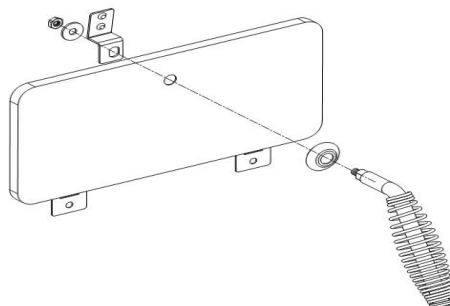
	6
	6





STEP 7



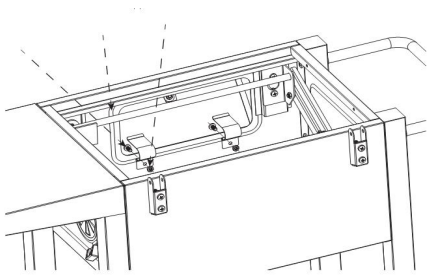
	1		2
	2		2

STEP 8



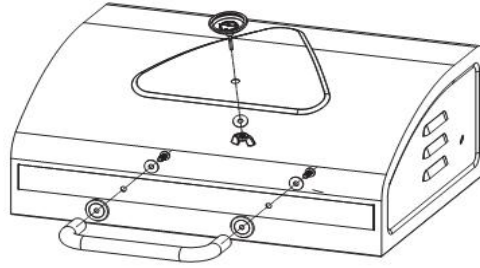
	1		1
	2		1

STEP 9



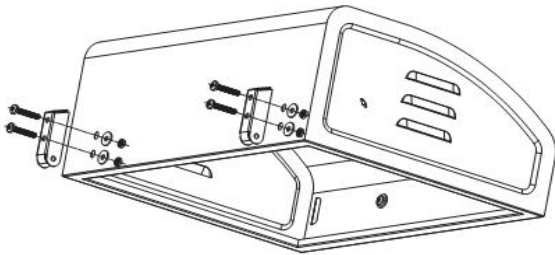
	2
M6x12 mm Screw	2
	2
M6 Nut	2

STEP 10



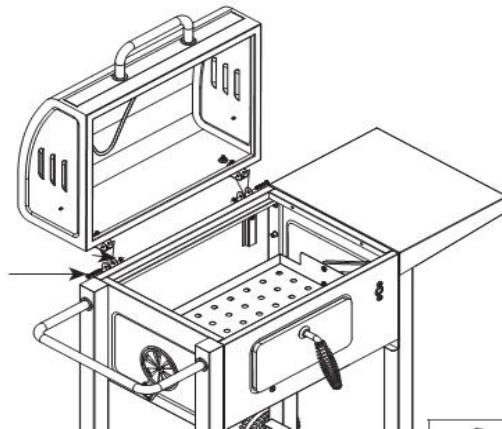
	2		2
M6x20 mm Screw	2		2

STEP 11



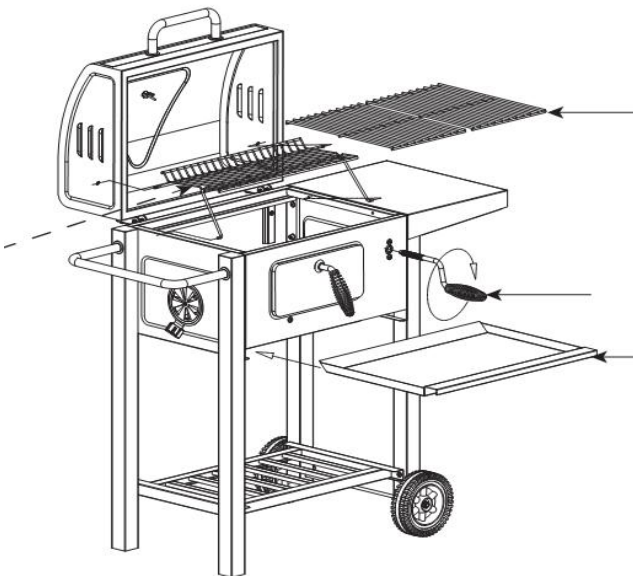
	2		6
M6x30 mm Screw	4	M6 Nut	4

STEP 12



	1		2
M5x30 mm Screw	1	M5 Nut	2

STEP 13



STEP 14

