



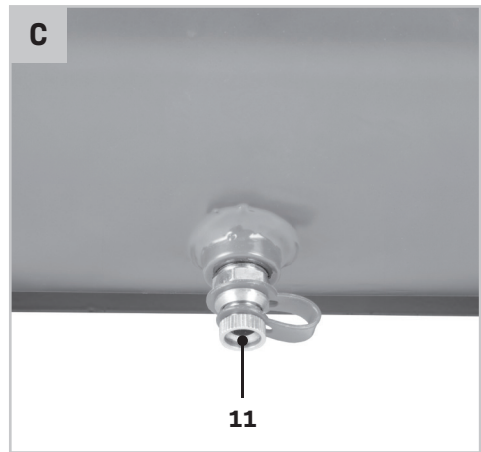
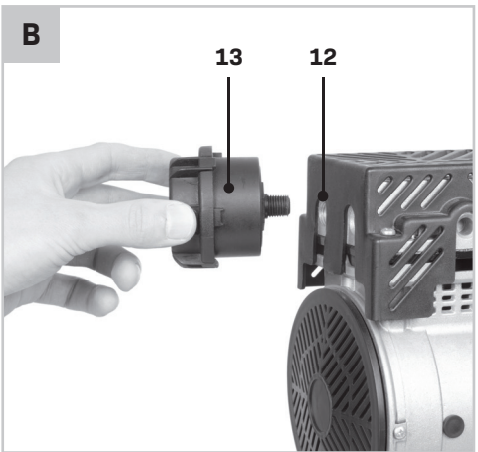
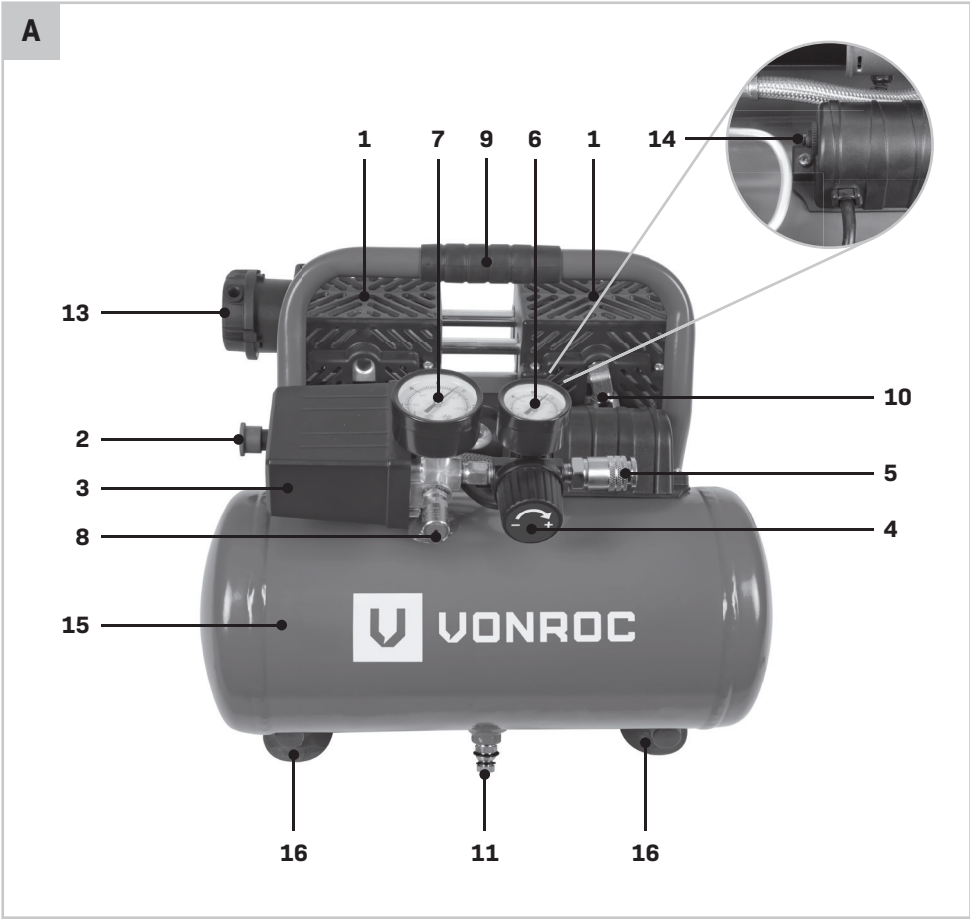
VONROC®

BUILD YOUR FUTURE

**SILENT COMPRESSOR
CR504AC / CR504AC_GREY
CR504AC_WHITE**



EN	Original Instructions	04
DE	Übersetzung Der Originalbetriebsanleitung	11
NL	Vertaling van de oorspronkelijke gebruiksaanwijzing	19
FR	Traduction de la notice originale	27
ES	Traducción del manual original	35
IT	Traduzione delle istruzioni originali	42
SV	Översättning av bruksanvisning i original	50
DA	Oversættelse af den originale brugsanvisning	57
PL	Tłumaczenie instrukcji oryginalnej	64
RO	Traducere a instrucțiunilor originale	72
PT	Tradução do manual original	80
HU	Eredeti használati utasítás fordítása	87
CS	Překlad původního návodu k používání	95



D



1. SAFETY INSTRUCTIONS

Read the enclosed safety warnings, the additional safety warnings and the instructions. Failure to follow the safety warnings and the instructions may result in electric shock, fire and/or serious injury. Save the safety warnings and the instructions for future reference.

The following symbols are used in the user manual or on the product:



Read the user manual.



Denotes risk of personal injury, loss of life or damage to the tool in case of non-observance of the instructions in this manual.



Do not expose to rain.



Protect the appliance against frost.



Prohibition: Do not open the cock before the air hose has been connected.



Risk of electric shock.



Risk of burns caused by hot surfaces.



Caution: the compressor could start automatically in case of a black-out and subsequent reset.



Wear hearing protection.



The guaranteed sound power level LWA = 78 dB(A).



Do not dispose of the product in unsuitable containers.



The product is in accordance with the applicable safety standards in the European directives.

GENERAL POWER TOOL SAFETY WARNINGS



WARNING! Read all safety warnings and all instructions. Failure to follow the warnings and instructions may result in electric shock, fire and/or serious injury.

Save all warnings and instructions for future reference.

The term "power tool" in the warnings refers to your mains-operated (corded) power tool or battery-operated (cordless) power tool.

1) Work area safety

- a) **Keep the work area clean and well lit.** Cluttered or dark areas invite accidents.
- b) **Do not operate power tools in explosive atmospheres, such as in the presence of flammable liquids, gases or dust.** Power tools create sparks which may ignite the dust or fumes.
- c) **Keep children and bystanders away while operating a power tool.** Distractions can cause you to lose control.

2) Electrical safety

- a) **Power tool plugs must match the outlet. Never modify the plug in any way. Do not use any adapter plugs with earthed (grounded) power tools.** Unmodified plugs and matching outlets will reduce risk of electric shock.
- b) **Avoid body contact with earthed or grounded surfaces, such as pipes, radiators, ranges and refrigerators.** There is an increased risk of electric shock if your body is earthed or grounded.
- c) **Do not expose power tools to rain or wet conditions.** Water entering a power tool will increase the risk of electric shock.
- d) **Do not abuse the cord. Never use the cord for carrying, pulling or unplugging the power tool. Keep cord away from heat, oil, sharp edges or moving parts.** Damaged or entangled cords increase the risk of electric shock.
- e) **When operating a power tool outdoors, use an extension cord suitable for outdoor use.** Use of a cord suitable for outdoor use reduces the risk of electric shock.
- f) **If operating a power tool in a damp location is unavoidable, use a residual current device (RCD) protected supply.** Use of an RCD reduces the risk of electric shock.

3) Personal safety

- a) **Stay alert, watch what you are doing and use common sense when operating a power tool. Do not use a power tool while you are tired or under the influence of drugs, alcohol or medication.** A moment of inattention while operating power tools may result in serious personal injury.

- b) **Use personal protective equipment. Always wear eye protection.** Protective equipment such as dust mask, non-skid safety shoes, hard hat, or hearing protection used for appropriate conditions will reduce personal injuries.
- c) **Prevent unintentional starting. Ensure the switch is in the off-position before connecting to power source and/or battery pack, picking up or carrying the tool.** Carrying power tools with your finger on the switch or energising power tools that have the switch on invites accidents.
- d) **Remove any adjusting key or wrench before turning the power tool on.** A wrench or a key left attached to a rotating part of the power tool may result in personal injury.
- e) **Do not overreach. Keep proper footing and balance at all times.** This enables better control of the power tool in unexpected situations.
- f) **Dress properly. Do not wear loose clothing or jewellery. Keep your hair, clothing and gloves away from moving parts.** Loose clothes, jewellery or long hair can be caught in moving parts.
- g) **If devices are provided for the connection of dust extraction and collection facilities, ensure these are connected and properly used.** Use of dust collection can reduce dust related hazards.
- h) **Do not let familiarity gained from frequent use of tools allow you to become complacent and ignore tool safety principles.** A careless action can cause severe injury within a fraction of a second.
- 4) Power tool use and care**
- a) **Do not force the power tool. Use the correct power tool for your application.** The correct power tool will do the job better and safer at the rate for which it was designed.
- b) **Do not use the power tool if the switch does not turn it on and off.** Any power tool that cannot be controlled with the switch is dangerous and must be repaired.
- c) **Disconnect the plug from the power source and/or the battery pack from the power tool before making any adjustments, changing accessories, or storing power tools.** Such preventive safety measures reduce the risk of starting the power tool accidentally.
- d) **Store idle power tools out of the reach of children and do not allow persons unfamiliar with the power tool or these instructions to operate the power tool.** Power tools are dangerous in the hands of untrained users.
- e) **Maintain power tools. Check for misalignment or binding of moving parts, breakage of parts and any other condition that may affect the power tool's operation. If damaged, have the power tool repaired before use.** Many accidents are caused by poorly maintained power tools.
- f) **Keep cutting tools sharp and clean.** Properly maintained cutting tools with sharp cutting edges are less likely to bind and are easier to control.
- g) **Use the power tool, accessories and tool bits etc. in accordance with these instructions, taking into account the working conditions and the work to be performed.** Use of the power tool for operations different from those intended could result in a hazardous situation.
- h) **Keep handles and grasping surfaces dry, clean and free from oil and grease.** Slippery handles and grasping surfaces do not allow for safe handling and control of the tool in unexpected situations.
- 5) Service**
- a) **Have your power tool serviced by a qualified repair person using only identical replacement parts.** This will ensure that the safety of the power tool is maintained.

SPECIAL SAFETY INSTRUCTIONS

- Warning! The compressor may only be used in suitable rooms (with good ventilation and an ambient temperature from 5°C to +40°C).
- Check that the tank is fully decompressed before connections with the tank are unscrewed.
- It is prohibited to make holes in, or welds to, or purposely to distort the compressed air tank.
- Do not perform any actions on the compressor without first having taken the plug out of the plug socket.
- Do not aim water jets or jets of flammable liquids at the compressor.
- Do not place flammable objects near the compressor.
- Switch the switch (2) to the "0" position (OFF) during dwell time.
- Never aim the air jet at persons or animals.
- Do not transport the compressor with the tank pressurised.
- N.B.: some parts of the compressor such as the head and the feed-through pipes may reach high temperatures. Do not touch these parts to avoid burns.

- Transport the compressor by lifting it or by using the special grips or handles.
- Children and animals should be kept far away from the area of operation of the machine.
- If you use the compressor to spray paint:
 - a) Do not work in enclosed spaces or near naked flames.
 - b) Make sure that the environment in which you will be working has dedicated ventilation.
 - c) Protect your nose and mouth with a dedicated mask.
- Do not use the compressor when the electrical cable or the plug is damaged, and instruct an authorised Support Service to replace them with an original part.
- When the compressor is placed on a surface higher than the floor, it should be secured to prevent it from falling down during operation.
- Do not put objects or your hands in the protective covers to avoid physical damage and damage to the compressor.
- Do not use the compressor as a blunt instrument against persons, objects or animals in order to prevent serious damage.
- If the compressor is no longer in use, always take the plug out of the plug socket.
- Always make sure that compressed-air hoses are used for compressed air and which are characterised by a maximum pressure adjusted to that of the compressor. Do not try to repair the hose if it is damaged.

SAFETY INSTRUCTIONS FOR WORKING WITH COMPRESSED AIR GUNS

- The compressor and hoses can get very hot during operation. Touching them can cause burns.
- The gases or vapours sucked in by the compressor intake must be kept free of admixtures that could lead to fires or explosions inside the compressor.
- When removing the hose coupling, always hold the hose coupling firmly to avoid injury caused by the hose flying off.
- When working with the blow-out gun, wear goggles. Foreign bodies and blown out particles can easily cause injuries.
- Do not direct the blow-out gun at people or use it to clean clothing you are wearing.

Electrical safety

When using electric machines always observe the safety regulations applicable in your country to reduce the risk of fire, electric shock and personal injury. Read the following safety instructions and also the enclosed safety instructions.



Always check that the power supply corresponds to the voltage on the rating plate.

Connecting to the power supply

Check that the power supply and plug used in accordance with your machine. Have a look at the rating plate on the machine. Any changes should always be carried out by a qualified electrician.



Warning! This machine must be earthed. If not properly earthed this machine can cause an electrical shock. Be sure that the power supply outlet is earthed. If there is any doubt, have it checked by a qualified electrician.



Warning! Avoid contact with the terminals on the plug when installing (removing) the plug to (from) the power supply outlet. Contact will cause a severe electrical shock.

Replacing cables or plugs

If the replacement of the **supply cord** is necessary, this has to be done by the manufacturer or his agent in order to avoid a safety hazard. Immediately throw away old cables or plugs when they have been replaced by new ones. It is dangerous to insert the plug of a loose cable in the wall outlet.

Using extension cables

Only use an approved extension cable suitable for the power input of the machine. The minimum conductor size is 1.5 mm². When using a cable reel always unwind the reel completely.

2. MACHINE INFORMATION

Intended use

The compressor is designed to generate compressed air for compressed air driven tools. This compressor is not designed for continuous operation.

TECHNICAL SPECIFICATIONS

Model No.	CR504AC / CR504AC_GREY / CR504AC_WHITE
Compressor type	Piston - oil free - low noise
Compressor drive	Direct drive
Voltage	220-240V~
Frequency	50 Hz
Input power	750W
Horsepower	1 HP
Operating mode	S3 50% *
Idling speed	1450/min
IP class	IP30
Protection class	Class I
Air intake	128 l/min
Output (compressed air) at 7 bar	42 l/min
Output (compressed air) at 4 bar	65 l/min
Max. outlet pressure	8 bar
Cut-in pressure approx.	6 bar
Cut-out pressure approx.	8 bar
Tank capacity	6L
Cable length	2m
Weight	16 kg
Sound pressure level	$L_{pA} = 79.7 \text{ dB(A)}$ $K_{pA} = 3 \text{ dB(A)}$
Sound power level	$L_{WA} = 92.7 \text{ dB(A)}$ $K_{WA} = 3 \text{ dB(A)}$

* S3 = intermittent operation without the impact of the start-up. This means that during a period of 10 minutes, the maximum operating time is 50% (e.g. 5 minutes of work and 5 minutes of rest) , under optimal environmental conditions (max. temp 25°C). Respecting these guidelines and the prescribed maintenance intervals will allow the product to work properly over time.

DESCRIPTION

The numbers in the text refer to the diagrams on page 2-3.

1. Cover
2. Switch
3. Pressure switch
4. Pressure regulator
5. Quick coupler (outlet)
6. Pressure gauge (operating pressure)
7. Pressure gauge (tank pressure)
8. Safety valve
9. Handle
10. Pressure pipe
11. Drain cock
12. Air inlet
13. Air filter
14. Overload switch
15. Tank
16. Rubber feet

3. ASSEMBLY



Before assembly, always switch off the machine and remove the mains plug from the mains.

Mounting the air filter (Fig. A, B)

1. Remove the transport lid and replace them with the supplied air filter (13) before using the compressor.
2. Mount the air filter (13) by screwing the air filter (13) clockwise into the air inlet (12) as shown on figure B.

Installing the compressor

- The compressor should be installed in ventilated and dry environment.
- Make sure the compressor is placed on the horizontal and stable ground.
- Place the compressor on a flat surface or at a maximum slope of 10°, in a well ventilated area, protected against atmospheric factors and not in explosive surroundings.
- If the surface area is sloping and smooth, make sure that the compressor will not move when in operation.
- For proper ventilation and effective cooling, it is important that the compressor is positioned at least 50 cm away from any wall or obstacle.
- Make sure that the compressor is transported in the right way, do not turn it upside down and don't lift it with hooks or ropes.

4. OPERATION



You must fully assemble the compressor before using it for the first time.



Long supply cables, extensions, cable reels etc cause a drop in voltage and can impede motor start-up. Do not use cables longer than 10m. Vonroc advises to use a longer air hose instead.



It can be more difficult to start-up the motor during conditions of temperatures below 5°C.



The head/cylinder/transmission pipe assembly may reach high temperatures, so take care when working close to these parts and do not touch them to avoid burns.

Starting up (Fig. A)

1. Check whether the mains voltage corresponds to that indicated on the electrical specification plate.
2. Push the ON/OFF switch (2) into the position 'O' to switch the compressor off.
3. Put the plug in the plug socket.
4. Pull the ON/OFF switch (2) into the position 'I' to switch the compressor on.
5. The operation of the compressor is fully automatic. The pressure switch (3) will stop the compressor when the maximum value has been reached and start it up when the pressure drops below the minimum value. The pressure switch (3) is set at the factory. Normally the difference in pressure is approx. 2 Bar/29 psi between the maximum and the minimum value. The compressor will stop when it reaches 8 Bar (116 psi) (this is the maximum operating pressure) and will start up automatically when the pressure within the tank has dropped to 6 Bar (87 psi).

Connecting the air hose and tool (Fig. A)

1. Turn the pressure regulator (4) turning knob anti-clockwise till pressure is fully released.
2. Insert the connector of the air hose (not included) into the quick coupler (5) on the compressor. When pushing, the connector clicks into place to secure the air hose.
3. Connect the air tool (not included) you want to use to the quick coupler of the air hose.

4. Turn the pressure regulator (4) turning knob clockwise, till the pressure gauge (6) shows the pressure level you need.
5. Your air tool is now ready to use.

Disconnecting the air hose and tool (Fig. A)



When releasing the quick coupler, be sure to hold the hose to protect yourself from injury from the rebounding hose.

1. Turn the pressure regulator (4) turning knob anti-clockwise till pressure is fully released.
2. Reduce the pressure by activating the air tool (not included).
3. Pull back the sleeve on the air hose quick coupler and remove your air tool.
4. Pull back the sleeve on the quick coupler (5) and remove the hose.

Reading the pressure (Fig. A)

The compressor has two pressure gauges (6,7). The tank pressure can be read on the pressure gauge (7) and the operating pressure (regulated pressure) can be read on the pressure gauge (6). The black scale indicates the pressure in bar and the red scale indicates the pressure in PSI.

Adjusting the operating pressure (Fig. A)



It is not always necessary to use the maximum operating pressure. The air tools often require less pressure. Always check the correct operating pressure of the tool you intend to use.

With regard to compressors supplied with a pressure regulator (4) it is necessary to set the operating pressure properly. It is possible to set the operating pressure by using the turning knob on the pressure regulator(4):

- By turning clockwise, the operating pressure will be increased.
- By turning anti-clockwise, the operating pressure will be reduced.

Note: when not connecting an air tool while adjusting the pressure, it might occur the pressure gauge (6) is not reacting accurately on the pressure drop.

Overload switch (Fig. A)

The motor is fitted with an overload switch (14). If the compressor overloads, the overload switch (14)

switches the equipment off automatically to protect the compressor from overheating. If the overload switch (14) triggers, switch off the compressor using the ON/OFF switch (2) and wait until the compressor cools down. Then press the overload switch (14) and restart the compressor.

Finish operation (Fig. A, C)



Do not touch the compressor unless its power has been cut off for at least 10 minutes.



When there is the risk of frost or if you do not use your compressor for a long time, please properly store your compressor.

1. Check that the ON/OFF switch (2) is in the 'O' position.
2. Remove the mains plug from the mains.
3. Reduce the pressure in the tank till approximately 2 bar by connecting and activating an air tool.
4. Then slowly turn the drain cock (11) on the lower side of the tank open. The water in the tank (15) will now leak out of the tank (15).
5. Take care when compressed air is in the tank (15) because the water can come out with some force. Recommended pressure max. 1-2 Bar.
6. Remove the air tool and hose.
7. Clean and store the device (see 'Maintenance').

5. MAINTENANCE



Before cleaning and maintenance, always switch off the machine and remove the mains plug from the mains.



Do not touch the compressor unless its power has been cut off for at least 10 minutes. Risk of burns!



Always depressurize the tank before carrying out any cleaning and maintenance work.

Clean the machine casings regularly with a soft cloth, preferably after each use. Make sure that the ventilation openings are free of dust and dirt. Remove very persistent dirt using a soft cloth moistened with soapsuds. Do not use any solvents such as gasoline, alcohol, ammonia, etc. Chemicals such as these will damage the synthetic components.

Drain the tank (Fig. C)



Check the pressure tank for signs of rust and damage each time before using. Do not use the compressor with a damaged or rusty pressure vessel.

Compressing air will cause water in the tank. Regularly drain the water from the tank to prevent tank corrosion. It depends on the humidity, but advice is after each use.

1. Reduce the pressure in the tank till approximately 2 bar by connecting and activating an air tool.
2. Then slowly turn the drain cock (11) on the lower side of the tank open. The water in the tank will now leak out of the tank.
3. Take care when compressed air is in the tank because the water can come out with some force. Recommended pressure max. 1-2 Bar.

Clean the air filter (Fig. D)



It is recommended to disassemble the suction filter every 50 operating hours and to clean the filter element by blowing it with compressed air.



It is recommended that the filter element is replaced at least once a year if the compressor is working in a clean environment; more often if the environment in which the compressor is situated is dusty. A clogged intake filter will decrease the compressor's performance dramatically.

1. Open the halves of the air filter housing. Use compressed air at low pressure (approx. 3 bar) to blow out all the parts of the filter
2. Assemble the filter in reverse order.

STORAGE AND FROST PROTECTION

The compressor and accessories that are not completely drained can be destroyed by frost. Completely drain the compressor and accessories and protect them against frost. Keep this appliance in well-ventilated dry premises with temperature not going below +5°C. When not in use, keep this appliance stored in a safe place out of reach of children.

Malfunction

Should the machine fail to function correctly, a number of possible causes and the appropriate solutions are given below:

Air loss

- May be caused by a poor seal of a connection.
- Check all air connections by wetting them with a soapy water solution (Never use the solution nearby electric connections).
- When the tank is empty and being filled. The user might hear a sisseling sound by the pressure switch. This is normal and will stop before the compressor reach a pressure of 1.5 bar.
- Check if the drain cock (11) is closed well.

The compressor will not start

If the compressor is difficult to start, check:

- Whether the voltage of the mains corresponds to that on the specification plate.
- Whether electrical extension cables are being used with a faulty core or length.
- Whether the operating environment is too cold (below 5°C).
- Whether there is electricity supply (plug properly connected, magneto-thermal fuses not broken).

The compressor does not shut off

If the compressor does not shut off when the maximum pressure has been reached, the safety valve of the tank will be activated. It is necessary to contact the nearest authorised Support Service for the repair.

ENVIRONMENT

Faulty and/or discarded electrical or electronic apparatus have to be collected at the appropriate recycling locations.

Only for EU countries

Do not dispose of power tools into domestic waste. According to the European Guideline 2012/19/EU for Waste Electrical and Electronic Equipment and its implementation into national right, power tools that are no longer usable must be collected separately and disposed of in an environmentally friendly way.

WARRANTY

VONROC products are developed to the highest quality standards and are guaranteed free of defects in both materials and workmanship for the period lawfully stipulated starting from the date of original purchase. Should the product develop any failure during this period due to defective material and/or workmanship then contact VONROC directly.

The following circumstances are excluded from this guarantee:

- Repairs and or alterations have been made or attempted to the machine by unauthorized service centers;
- Normal wear and tear;
- The tool has been abused, misused or improperly maintained;
- Non-original spare parts have been used.

This constitutes the sole warranty made by company either expressed or implied. There are no other warranties expressed or implied which extend beyond the face hereof, herein, including the implied warranties of merchantability and fitness for a particular purpose. In no event shall VONROC be liable for any incidental or consequential damages. The dealers remedies shall be limited to repair or replacement of nonconforming units or parts.

The product and the user manual are subject to change. Specifications can be changed without further notice.

1. SICHERHEITSHINWEISE

Lesen Sie die beigefügten Sicherheitswarnungen, die zusätzlichen Sicherheitswarnungen und die Anweisungen. Die Nichteinhaltung der Sicherheitswarnungen und der Anweisungen kann in einem Stromschlag, Brand und/oder in schweren Verletzungen resultieren. Bewahren Sie die Sicherheitswarnungen und Anweisungen für künftige Referenzzwecke auf.

Die folgenden Symbole werden im Benutzerhandbuch oder auf dem Produkt verwendet:



Lesen Sie das Benutzerhandbuch.



Bedeutet, dass bei Nichtbeachtung der Anweisungen in dieser Anleitung Verletzungen, Tod oder Beschädigung des Werkzeugs die Folge sein können.



Nicht Regen aussetzen.



Das Gerät muss vor Frost geschützt werden.



Verboten: Den Hahn erst öffnen, wenn der Luftschlauch angeschlossen wurde.



Stromschlagrisiko.



Verbrennungsgefahr durch heiße Oberflächen.



Achtung: Der Kompressor könnte bei einem Stromausfall und anschließendem Reset automatisch starten.



Immer einen Gehörschutz tragen.



*Garantierter Schallleistungspegel
LWA = 78 dB(A).*



Das Produkt nicht in ungeeigneten Behältern entsorgen.



Das Produkt entspricht den geltenden Sicherheitsstandards in den europäischen Richtlinien.

ALLGEMEINE SICHERHEITSHINWEISE



WARNUNG! Lesen Sie alle Sicherheitshinweise, Anweisungen, Bildierungen und technischen Daten, mit denen dieses Elektrowerkzeug versehen ist. Versäumnisse bei der Einhaltung der nachfolgenden Anweisungen können elektrischen Schlag, Brand und/oder schwere Verletzungen verursachen.

Bewahren Sie alle Sicherheitshinweise und Anweisungen für die Zukunft auf.

Der in den Sicherheitshinweisen verwendete Begriff „Elektrowerkzeug“ bezieht sich auf netzbetriebene Elektrowerkzeuge (mit Netzleitung) oder auf akkubetriebene Elektrowerkzeuge (ohne Netzleitung).

1) Arbeitsplatzsicherheit

- a) **Halten Sie Ihren Arbeitsbereich sauber und gut beleuchtet.** Unordnung oder unbeleuchtete Arbeitsbereiche können zu Unfällen führen.
- b) **Arbeiten Sie mit dem Elektrowerkzeug nicht in explosionsgefährdeter Umgebung, in der sich brennbare Flüssigkeiten, Gase oder Stäube befinden.** Elektrowerkzeuge erzeugen Funken, die den Staub oder die Dämpfe entzünden können.
- c) **Halten Sie Kinder und andere Personen während der Benutzung des Elektrowerkzeugs fern.** Bei Ablenkung können Sie die Kontrolle über das Elektrowerkzeug verlieren.

2) Elektrische Sicherheit

- a) **Der Anschlussstecker des Elektrowerkzeugs muss in die Steckdose passen. Der Stecker darf in keiner Weise verändert werden. Verwenden Sie keine Adapterstecker gemeinsam mit schutzgeerdeten Elektrowerkzeugen.** Unveränderte Stecker und passende Steckdosen verringern das Risiko eines elektrischen Schlages.
- b) **Vermeiden Sie Körperkontakt mit geerdeten Oberflächen wie von Rohren, Heizungen, Herden und Kühlschränken.** Es besteht ein erhöhtes Risiko durch elektrischen Schlag, wenn Ihr Körper geerdet ist.
- c) **Halten Sie Elektrowerkzeuge von Regen oder Nässe fern.** Das Eindringen von Wasser in ein Elektrowerkzeug erhöht das Risiko eines elektrischen Schlages.
- d) **Zweckentfremden Sie die Anschlussleitung nicht, um das Elektrowerkzeug zu tragen, aufzuhängen oder um den Stecker aus der**

- Steckdose zu ziehen. Halten Sie die Anschlussleitung fern von Hitze, Öl, scharfen Kanten oder sich bewegenden Teilen.** Beschädigte oder verwickelte Anschlussleitungen erhöhen das Risiko eines elektrischen Schlages.
- e) **Wenn Sie mit einem Elektrowerkzeug im Freien arbeiten, verwenden Sie nur Verlängerungsleitungen, die auch für den Außenbereich geeignet sind.** Die Anwendung einer für den Außenbereich geeigneten Verlängerungsleitung verringert das Risiko eines elektrischen Schlages.
- f) **Wenn der Betrieb des Elektrowerkzeugs in feuchter Umgebung nicht vermeidbar ist, verwenden Sie einen Fehlerstromschutzschalter.** Der Einsatz eines Fehlerstromschutzschalters vermindert das Risiko eines elektrischen Schlages.
- 3) Sicherheit von Personen**
- a) **Seien Sie aufmerksam, achten Sie darauf, was Sie tun, und gehen Sie mit Vernunft an die Arbeit mit einem Elektrowerkzeug. Benutzen Sie kein Elektrowerkzeug, wenn Sie müde sind oder unter dem Einfluss von Drogen, Alkohol oder Medikamenten stehen.** Ein Moment der Unachtsamkeit beim Gebrauch des Elektrowerkzeugs kann zu ernsthaften Verletzungen führen.
- b) **Tragen Sie persönliche Schutzausrüstung und immer eine Schutzbrille.** Das Tragen persönlicher Schutzausrüstung, wie Staubmaske, rutschfeste Sicherheitsschuhe, Schutzhelm oder Gehörschutz, je nach Art und Einsatz des Elektrowerkzeugs, verringert das Risiko von Verletzungen.
- c) **Vermeiden Sie eine unbeabsichtigte Inbetriebnahme. Vergewissern Sie sich, dass das Elektrowerkzeug ausgeschaltet ist, bevor Sie es an die Stromversorgung und/oder den Akku anschließen, es aufnehmen oder tragen.** Wenn Sie beim Tragen des Elektrowerkzeugs den Finger am Schalter haben oder das Elektrowerkzeug eingeschaltet an die Stromversorgung anschließen, kann dies zu Unfällen führen.
- d) **Entfernen Sie Einstellwerkzeuge oder Schraubenschlüssel, bevor Sie das Elektrowerkzeug einschalten.** Ein Werkzeug oder Schlüssel, der sich in einem drehenden Teil des Elektrowerkzeugs befindet, kann zu Verletzungen führen.
- e) **Vermeiden Sie eine abnormale Körperhaltung. Sorgen Sie für einen sicheren Stand und halten Sie jederzeit das Gleichgewicht.** Dadurch können Sie das Elektrowerkzeug in unerwarteten Situationen besser kontrollieren.
- f) **Tragen Sie geeignete Kleidung. Tragen Sie keine weite Kleidung oder Schmuck. Halten Sie Haare und Kleidung fern von sich bewegenden Teilen.** Lockere Kleidung, Schmuck oder lange Haare können von sich bewegenden Teilen erfasst werden.
- g) **Wenn Staubabsaug- und -auffangeinrichtungen montiert werden können, sind diese anzuschließen und richtig zu verwenden.** Verwendung einer Staubabsaugung kann Gefährdungen durch Staub verringern.
- h) **Wiegen Sie sich nicht in falscher Sicherheit und setzen Sie sich nicht über die Sicherheitsregeln für Elektrowerkzeuge hinweg, auch wenn Sie nach vielfachem Gebrauch mit dem Elektrowerkzeug vertraut sind.** Achtloses Handeln kann binnen Sekundenbruchteilen zu schweren Verletzungen führen.
- 4) Verwendung und Behandlung des Elektrowerkzeugs**
- a) **Überlasten Sie das Elektrowerkzeug nicht. Verwenden Sie für Ihre Arbeit das dafür bestimmte Elektrowerkzeug.** Mit dem passenden Elektrowerkzeug arbeiten Sie besser und sicherer im angegebenen Leistungsbereich.
- b) **Benutzen Sie kein Elektrowerkzeug, dessen Schalter defekt ist.** Ein Elektrowerkzeug, das sich nicht mehr ein- oder ausschalten lässt, ist gefährlich und muss repariert werden.
- c) **Ziehen Sie den Stecker aus der Steckdose und/oder entfernen Sie einen abnehmbaren Akku, bevor Sie Geräteeinstellungen vornehmen, Einsatzwerkzeugteile wechseln oder das Elektrowerkzeug weglegen.** Diese Vorsichtsmaßnahme verhindert den unbeabsichtigten Start des Elektrowerkzeugs.
- d) **Bewahren Sie unbenutzte Elektrowerkzeuge außerhalb der Reichweite von Kindern auf. Lassen Sie keine Personen das Elektrowerkzeug benutzen, die mit diesem nicht vertraut sind oder diese Anweisungen nicht gelesen haben.** Elektrowerkzeuge sind gefährlich, wenn sie von unerfahrenen Personen benutzt werden.
- e) **Pflegen Sie Elektrowerkzeuge und Einsatzwerkzeug mit Sorgfalt. Kontrollieren Sie, ob bewegliche Teile einwandfrei funktionieren und nicht klemmen, ob Teile gebrochen oder so beschädigt sind, dass die Funktion des Elektrowerkzeugs beeinträchtigt ist. Lassen Sie beschädigte Teile vor dem Einsatz des Elektrowerkzeuges**

reparieren. Viele Unfälle haben ihre Ursache in schlecht gewarteten Elektrowerkzeugen.

- f) **Halten Sie Schneidwerkzeuge scharf und sauber.** Sorgfältig gepflegte Schneidwerkzeuge mit scharfen Schneidkanten verkleben sich weniger und sind leichter zu führen.
- g) **Verwenden Sie Elektrowerkzeug, Zubehör, Einsatzwerkzeuge usw. entsprechend diesen Anweisungen. Berücksichtigen Sie dabei die Arbeitsbedingungen und die auszuführende Tätigkeit.** Der Gebrauch von Elektrowerkzeugen für andere als die vorgesehenen Anwendungen kann zu gefährlichen Situationen führen.
- h) **Halten Sie Griffe und Griffflächen trocken, sauber und frei von Öl und Fett.** Rutschige Griffe und Griffflächen erlauben keine sichere Bedienung und Kontrolle des Elektrowerkzeugs in unvorhergesehenen Situationen.

5) Service

- a) **Lassen Sie Ihr Elektrowerkzeug nur von qualifiziertem Fachpersonal und nur mit Original-Ersatzteilen reparieren.** Damit wird sichergestellt, dass die Sicherheit des Elektrowerkzeugs erhalten bleibt.

BESONDERE SICHERHEITSANWEISUNGEN

- Warnung! Der Kompressor darf nur in geeigneten Räumen (mit guter Belüftung und einer Umgebungstemperatur von 5°C bis +40°C) betrieben werden.
- Vergewissern Sie sich, dass der Behälter vollständig druckentlastet ist, bevor Sie Verbindungen zum Behälter abschrauben.
- Es ist verboten, den Druckluftbehälter zu durchbohren, zu schweißen oder absichtlich zu verformen.
- Keine Arbeiten am Kompressor durchführen, bevor der Stecker aus der Steckdose gezogen wurde.
- Keine Wasserstrahlen oder Strahlen mit brennbaren Flüssigkeiten auf den Kompressor richten.
- Keine brennbaren Gegenstände in der Nähe des Kompressors abstellen.
- Den Schalter (2) während der Haltezeit auf die Position „0“ (OFF) stellen.
- Den Luftstrahl niemals auf Menschen oder Tiere richten.
- Den Kompressor nicht transportieren, wenn der Behälter unter Druck steht.
- Achtung: Einige Teile des Kompressors, wie der Kopf und die Durchführungsrohre, können hohe

Temperaturen erreichen. Zur Vermeidung von Verbrennungen dürfen diese Teile nicht berührt werden.

- Transportieren Sie den Kompressor, indem Sie ihn anheben oder die Spezialgriffe verwenden.
- Kinder und Tiere sind vom Arbeitsbereich der Maschine fernzuhalten.
- Wenn Sie den Kompressor zum Sprühen von Farbe verwenden:
 - a) Nicht in geschlossenen Räumen oder in der Nähe offener Flammen arbeiten.
 - b) Vergewissern Sie sich, dass die vorgesehene Arbeitsumgebung gut belüftet ist.
 - c) Schützen Sie Nase und Mund mit einer geeigneten Maske.
- Verwenden Sie den Kompressor nicht, wenn das Stromkabel oder der Stecker beschädigt ist, und lassen Sie diese von einem autorisierten Kundendienst durch ein Originalteil ersetzen.
- Wenn der Kompressor auf einer Fläche steht, die höher als der Boden ist, muss er gesichert werden, damit er während des Betriebs nicht herunterfallen kann.
- Keine Gegenstände oder die Hände in die Schutzabdeckungen stecken, da sonst die Gefahr von Verletzungen und Beschädigungen des Kompressors besteht.
- Den Kompressor nicht als stumpfes Instrument gegen Personen, Gegenstände oder Tiere verwenden, da sonst schwere Verletzungen und Schäden die Folge sind.
- Wenn der Kompressor nicht mehr benutzt wird, immer den Stecker aus der Steckdose ziehen.
- Immer darauf achten, dass Druckluftschläuche für Druckluft verwendet werden, die mit einem auf den Kompressor abgestimmten Maximaldruck gekennzeichnet sind. Versuchen Sie nicht, einen beschädigten Schlauch zu reparieren.

SICHERHEITSHINWEISE FÜR DIE ARBEIT MIT DRUCKLUFTPISTOLEN

- Kompressor und Schläuche können während des Betriebs sehr heiß werden. Die Berührung kann zu Verbrennungen führen.
- Die vom Kompressor angesaugten Gase oder Dämpfe müssen frei von Beimischungen sein, die zu Bränden oder Explosionen im Kompressor führen können.
- Halten Sie beim Abnehmen der Schlauchkuppelung diese immer fest, um Verletzungen durch einen wegfliegenden Schlauch zu vermeiden.

- Tragen Sie beim Arbeiten mit der Ausblaspistole stets eine Schutzbrille. Fremdkörper und herausgeschleuderte Partikel können Verletzungen verursachen.
- Richten Sie die Ausblaspistole nicht auf Personen und verwenden Sie sie nicht zum Reinigen von Kleidung, die jemand trägt.

Elektrische Sicherheit

Bei der Verwendung von elektrischen Geräten müssen stets die sicherheitsrelevanten Bestimmungen Ihres Landes eingehalten werden, um die Gefahr von Feuer, Stromschlag und Verletzungen zu vermeiden. Lesen Sie die folgenden Sicherheitshinweise und auch die beiliegenden Sicherheitshinweise.



Immer prüfen, dass die Stromversorgung der Spannung auf dem Typenschild entspricht.

Anschluss an die Stromversorgung

Überprüfen Sie, ob die Werte auf dem Netzteil und dem verwendeten Stecker mit denen Ihres Geräts übereinstimmen. Beachten Sie das Typenschild an der Maschine. Änderungen dürfen nur von einem qualifizierten Elektriker durchgeführt werden.



Warnung! Dieses Gerät muss geerdet werden. Wenn dieses Gerät nicht ordnungsgemäß geerdet ist, kann es einen Stromschlag verursachen. Stellen Sie sicher, dass die Netzsteckdose geerdet ist. Lassen Sie diese Punkte im Zweifelsfall von einem qualifizierten Elektriker überprüfen.



Warnung! Vermeiden Sie beim Einstecken (bzw. Herausziehen) des Steckers in die (bzw. aus der) Steckdose den Kontakt mit den Anschlüssen des Steckers. Ein Kontakt verursacht einen schweren Stromschlag.

Austausch von Kabeln oder Steckern

Wenn der Austausch des **Stromkabels** erforderlich ist, hat dies durch den Hersteller oder dessen Agenten zu erfolgen, um eine Sicherheitsgefahr zu vermeiden. Alte Kabel oder Stecker sofort wegwerfen, wenn sie durch neue ersetzt wurden. Es ist gefährlich, den Stecker eines losen Kabels in eine Steckdose zu stecken.

Verwendung von Verlängerungskabeln

Nur ein zugelassenes Verlängerungskabel verwenden, das für die Eingangsleistung der Maschine ge-

eignet ist. Die minimale Leitergröße beträgt 1,5 mm². Bei Verwendung einer Kabeltrommel die Trommel immer vollständig abwickeln.

2. ANGABEN ZUM WERKZEUG

Verwendungszweck

Der Kompressor ist für die Erzeugung von Druckluft für druckluftbetriebene Werkzeuge bestimmt. Dieser Kompressor ist nicht für den Dauerbetrieb ausgelegt.

TECHNISCHE DATEN

Modellnummer	CR504AC / CR504AC_GRAU / CR504AC_WEISS
Kompressortyp	Kolben - ölfrei - geräuscharm
Kompressorantrieb	Direktantrieb
Spannung	220-240 V~
Frequenz	50 Hz
Aufnahmeleistung	750 W
Pferdestärken	1 PS
Betriebsart	S3 50% *
Leerlaufdrehzahl	1450 U/min
IP-Klasse	IP30
Schutzklasse	Klasse I
Lufteinlass	128 l/min
Ausgabe (Druckluft) bei 7 bar	42 l/min
Ausgabe (Druckluft) bei 4 bar	65 l/min
Maximaler Auslassdruck	8 bar
Einschaltdruck ca.	6 bar
Abschaltdruck ca.	8 bar
Behälterinhalt	6 L
Kabellänge	2 m
Gewicht	16 kg
Schalldruckpegel	L _{PA} = 79,7 dB(A) K _{PA} = 3 dB(A)
Schalleistungspegel	L _{WA} = 92,7 dB(A) K _{WA} = 3 dB(A)

* S3 = Aussetzbetrieb ohne Auswirkungen der Inbetriebnahme. Das bedeutet, dass während eines Zeitraums von 10 Minuten die maximale Betriebszeit 50 % beträgt (z. B. 5 Minuten Betrieb und 5 Minuten Ruhe), und zwar unter optimalen Umgebungsbedingungen (max. Temperatur 25°C). Wenn Sie diese Richtlinien und die vorgeschriebenen Wartungsintervalle einhalten, sollte das Produkt über lange Zeit einwandfrei funktionieren.

BESCHREIBUNG

Die Zahlen im Text beziehen sich auf die Abbildungen auf den Seiten 2-3.

1. Abdeckung
2. Schalter
3. Druckschalter
4. Druckregler
5. Schnellkupplung (Auslass)
6. Manometer (Betriebsdruck)
7. Manometer (Behälterdruck)
8. Sicherheitsventil
9. Griff
10. Druckleitung
11. Entleerungshahn
12. Lufteinlass
13. Luftfilter
14. Überlastschalter
15. Behälter
16. GummifüÙe

3. MONTAGE



Schalten Sie die Maschine vor der Montage immer aus und ziehen Sie den Netzstecker aus der Steckdose.

Montage des Luftfilters (Abb. A, B)

1. Entfernen Sie vor der Verwendung des Kompressors den Transportdeckel und ersetzen Sie ihn durch den mitgelieferten Luftfilter (13).
2. Montieren Sie den Luftfilter (13), indem Sie den Luftfilter (13) wie in Abbildung B dargestellt im Uhrzeigersinn in den Lufteinlass (12) schrauben.

Installation des Kompressors

- Der Kompressor sollte in einer belüfteten und trockenen Umgebung installiert werden.
- Der Kompressor muss auf einer waagerechten und stabilen Fläche aufgestellt werden.
- Stellen Sie den Kompressor auf einer ebenen

Fläche oder mit einer maximalen Neigung von 10° in einem gut belüfteten, vor Witterungseinflüssen geschützten Bereich und nicht in einer explosionsgefährdeten Umgebung auf.

- Wenn die Fläche schräg und glatt ist, muss sichergestellt werden, dass sich der Kompressor während des Betriebs nicht bewegen kann.
- Für eine gute Belüftung und effektive Kühlung ist es wichtig, dass der Kompressor mindestens 50 cm Abstand zu einer Wand oder einem Hindernis hat.
- Achten Sie darauf, dass der Kompressor in der korrekten Ausrichtung transportiert wird, stellen Sie ihn nicht auf den Kopf und heben Sie ihn nicht mit Haken oder Seilen an.

4. BETRIEB



Der Kompressor muss vor der ersten Inbetriebnahme vollständig zusammengebaut werden.



Lange Versorgungskabel, Verlängerungen, Kabeltrommeln usw. verursachen einen Rückgang der Spannung und können den Motoranlauf behindern. Keine Kabel von mehr als 10 m Länge verwenden. Vonroc rät, stattdessen einen längeren Luftschlauch zu verwenden.



Bei Temperaturen unter 5°C kann es schwieriger sein, den Motor zu starten.



Die Baugruppe aus Kopf/Zylinder/Übertragungsleitung kann hohe Temperaturen erreichen. Seien Sie daher vorsichtig, wenn Sie in der Nähe dieser Teile arbeiten und berühren Sie sie nicht, um Verbrennungen zu vermeiden.

Starten (Abb. A)

1. Prüfen Sie, ob die Netzspannung mit der auf dem Typenschild angegebenen Spannung übereinstimmt.
2. Drücken Sie den Ein-/Ausschalter (2) in die Position '0', um den Kompressor auszuschalten.
3. Dann den Stecker in die Steckdose stecken.
4. Ziehen Sie den Ein-/Ausschalter (2) in die Position 'I', um den Kompressor einzuschalten.
5. Der Betrieb des Kompressors erfolgt vollautomatisch. Der Druckschalter (3) schaltet den

Kompressor ab, wenn der Höchstwert erreicht ist, und schaltet ihn ein, sobald der Druck unter den Mindestwert fällt. Der Druckschalter (3) ist werkseitig eingestellt. Normalerweise beträgt der Druckunterschied zwischen dem Höchst- und dem Mindestwert ca. 2 bar/29 psi. Der Kompressor schaltet sich ab, wenn er 8 bar (116 psi) erreicht (dies ist der maximale Betriebsdruck) und schaltet sich automatisch wieder ein, sobald der Druck im Behälter auf 6 bar (87 psi) gesunken ist.

Anschließen von Luftschlauch und Werkzeug (Abb. A)

1. Drehen Sie den Drehknopf des Druckreglers (4) gegen den Uhrzeigersinn, bis der Druck vollständig abgelassen ist.
2. Stecken Sie den Anschluss des Luftschlauchs (nicht im Lieferumfang enthalten) in die Schnellkupplung (5) am Kompressor. Beim Hineinschieben rastet der Anschluss ein, um den Luftschlauch zu sichern.
3. Schließen Sie das vorgesehene Druckluftwerkzeug (nicht im Lieferumfang enthalten) an die Schnellkupplung des Luftschlauchs an.
4. Drehen Sie den Drehknopf des Druckreglers (4) im Uhrzeigersinn, bis das Manometer (6) den benötigten Druck anzeigt.
5. Ihr Druckluftwerkzeug ist jetzt einsatzbereit.

Trennen von Luftschlauch und Werkzeug (Abb. A)



Halten Sie den Schlauch beim Lösen der Schnellkupplung gut fest, um sich vor Verletzungen durch den sich lösenden Schlauch zu schützen.

1. Drehen Sie den Drehknopf des Druckreglers (4) gegen den Uhrzeigersinn, bis der Druck vollständig abgelassen ist.
2. Reduzieren Sie den Druck, indem Sie das Druckluftwerkzeug (nicht im Lieferumfang enthalten) betätigen.
3. Ziehen Sie an der Hülse der Schnellkupplung des Luftschlauchs und nehmen Sie das Druckluftwerkzeug ab.
4. Ziehen Sie an der Hülse der Schnellkupplung (5) und nehmen Sie den Schlauch ab.

Ablesen der Druckwerte (Abb. A)

Der Kompressor ist mit zwei Manometern (6,7) ausgestattet. Am Manometer (7) kann der Behälterdruck und am Manometer (6) der Betriebsdruck

(geregelter Druck) abgelesen werden. Die schwarze Skala zeigt den Druck in bar und die rote Skala zeigt den Druck in PSI an.

Einstellen des Betriebsdrucks (Abb. A)



Es ist nicht immer notwendig, den maximalen Betriebsdruck zu verwenden. Die Druckluftwerkzeuge benötigen oft weniger Druck. Achten Sie immer auf den korrekten Betriebsdruck des vorgesehenen Werkzeugs.

Bei Kompressoren, die mit einem Druckregler (4) ausgestattet sind, muss der Betriebsdruck richtig eingestellt werden. Der Betriebsdruck ist durch den Drehknopf am Druckregler (4) einstellbar:

- Durch Drehen im Uhrzeigersinn erhöht sich der Betriebsdruck.
- Durch Drehen gegen den Uhrzeigersinn verringert sich der Betriebsdruck.

Hinweis: Wenn kein Druckluftwerkzeug angeschlossen ist, während der Druck eingestellt wird, kann es vorkommen, dass das Manometer (6) nicht präzise auf den Druckabfall reagiert.

Überlastschalter (Abb. A)

Der Motor ist mit einem Überlastschalter (14) ausgestattet. Wenn der Kompressor überlastet wird, schaltet der Überlastschalter (14) das Gerät automatisch ab, um den Kompressor vor Überhitzung zu schützen. Wenn der Überlastschalter (14) auslöst, schalten Sie den Kompressor mit dem Ein-/Aus-schalter (2) aus und warten Sie, bis er abgekühlt ist. Drücken Sie dann den Überlastschalter (14) und starten Sie den Kompressor neu.

Abschluss der Arbeit (Abb. A, C)



Berühren Sie den Kompressor erst, wenn er mindestens 10 Minuten vom Strom getrennt war.



Bei Frostgefahr oder wenn der Kompressor längere Zeit nicht verwendet wird, muss er sachgerecht gelagert werden.

1. Überprüfen, dass der Ein-/Aus-schalter (2) in der Position '0' steht.
2. Den Stecker aus der Steckdose ziehen.
3. Reduzieren Sie den Druck im Behälter auf etwa 2 bar, indem Sie ein Druckluftwerkzeug anschließen und betätigen.

4. Drehen Sie dann langsam das Entleerungshahn (11) an der Unterseite des Behälters auf. Das im Behälter (15) befindliche Wasser läuft nun aus dem Behälter (15) heraus.
5. Seien Sie vorsichtig, wenn sich noch Druckluft im Behälter (15) befindet, da das Wasser dann mit einiger Kraft austreten kann. Empfohlener Druck: max. 1-2 bar.
6. Entfernen Sie Druckluftwerkzeug und Schlauch.
7. Das Gerät säubern und lagern (siehe Kapitel 'Wartung').

1. Reduzieren Sie den Druck im Behälter auf etwa 2 bar, indem Sie ein Druckluftwerkzeug anschließen und betätigen.
2. Drehen Sie dann langsam das Entleerungshahn (11) an der Unterseite des Behälters auf. Das im Behälter befindliche Wasser läuft nun aus dem Behälter heraus.
3. Seien Sie vorsichtig, wenn sich noch Druckluft im Behälter befindet, da das Wasser dann mit einiger Kraft austreten kann. Empfohlener Druck: max. 1-2 bar.

5. WARTUNG



Vor dem Beginn von Reinigungs- und Wartungsarbeiten immer erst die Maschine ausschalten und den Stecker aus der Steckdose ziehen.



Berühren Sie den Kompressor erst, wenn er mindestens 10 Minuten vom Strom getrennt war. Verbrennungsgefahr!



Machen Sie den Behälter immer drucklos, bevor Sie Reinigungs- und Wartungsarbeiten durchführen.

Die Maschinengehäuse regelmäßig mit einem weichen Tuch reinigen, vorzugsweise nach jedem Gebrauch. Sicherstellen, dass die Ventilatoröffnungen frei von Staub und Schmutz sind. Sehr hartnäckigen Schmutz mit einem mit Seifenlauge befeuchteten Tuch entfernen. Keine Lösungsmittel, wie Benzin, Alkohol, Ammoniak usw., da solche Chemikalien die synthetischen Komponenten beschädigen können.

Entleeren des Behälters (Abb. C)



Überprüfen Sie den Druckbehälter vor jedem Gebrauch auf Rost und Beschädigungen. Verwenden Sie den Kompressor nicht mit einem beschädigten oder rostigen Druckbehälter.

Durch die Komprimierung der Luft entsteht im Behälter Wasser. Lassen Sie regelmäßig das Wasser aus dem Behälter ab, um Korrosion darin zu vermeiden. Die Entstehung von Korrosion hängt von der Luftfeuchtigkeit ab, aber eine Reinigung wird nach jedem Gebrauch empfohlen.

Reinigung des Luftfilters (Abb. D)



Es wird empfohlen, den Ansaugfilter alle 50 Betriebsstunden zu demontieren und das Filterelement durch Ausblasen mit Druckluft zu reinigen.



Es wird empfohlen, das Filterelement mindestens einmal pro Jahr auszutauschen, wenn der Kompressor in einer sauberen Umgebung betrieben wird, und häufiger, wenn die Kompressorumgebung staubig ist. Ein verstopfter Ansaugfilter verringert die Leistung des Kompressors drastisch.

1. Öffnen Sie die Hälften des Luftfiltergehäuses. Verwenden Sie Druckluft mit niedrigem Druck (ca. 3 bar), um alle Teile des Filters auszublasen.
2. Die Montage des Filters erfolgt in umgekehrter Reihenfolge.

LAGERUNG UND FROSTSCHUTZ

Wenn Flüssigkeiten nicht vollständig aus dem Kompressor und dem Zubehör abgelassen werden, können die Geräte durch Frost zerstört werden. Entleeren Sie Kompressor und Zubehör daher vollständig und schützen Sie sie vor Frost. Bewahren Sie das Gerät an einem gut belüfteten, trockenen Ort auf, an dem die Temperatur nicht unter +5°C fällt. Das Gerät an einem sicheren Ort außerhalb der Reichweite von Kindern lagern, wenn es nicht in Gebrauch ist.

Fehlfunktionen

Sollte das Gerät nicht einwandfrei funktionieren, finden Sie nachfolgend mögliche Ursachen und die entsprechenden Lösungen:

Luftverlust

- Kann durch eine schlechte Abdichtung einer Verbindung entstehen.
- Prüfen Sie alle Luftanschlüsse, indem Sie sie mit einer Seifenlösung benetzen. (Verwenden Sie die Lösung niemals in der Nähe der elektrischen Anschlüsse.)
- Wenn der Behälter leer ist und gefüllt wird. Der Benutzer kann am Druckschalter ein zischendes Geräusch hören. Dies ist normal und endet, bevor der Kompressor einen Druck von 1,5 bar erreicht.
- Prüfen Sie, ob das Entleerungshahn (11) richtig geschlossen ist.

Der Kompressor lässt sich nicht starten

Wenn der Kompressor schwer zu starten ist, prüfen Sie Folgendes:

- Ob die Spannung des Netzes mit der auf dem Typenschild angegebenen Spannung übereinstimmt.
- Ob elektrische Verlängerungskabel mit einer fehlerhaften Ader oder mit der falschen Länge verwendet werden.
- Ob die Betriebsumgebung zu kalt ist (unter +5°C).
- Ob die Stromversorgung gewährleistet ist (Stecker richtig angeschlossen, magnetothermische Sicherungen nicht defekt).

Der Kompressor schaltet sich nicht ab

Wenn der Kompressor bei Erreichen des Höchstdrucks nicht abschaltet, wird das Sicherheitsventil des Behälters aktiviert. Kontaktieren Sie für die Reparatur die nächste autorisierte Kundendienstwerkstatt.

UMWELT

Fehlerhafte und/oder ausgesonderte elektrische oder elektronische Geräte müssen zu den entsprechenden Recyclingorten gebracht werden.

Nur für EU-Länder

Entsorgen Sie Elektrowerkzeuge nicht im Hausmüll. Nach der europäischen Richtlinie 2012/19/EU über Elektro- und Elektronik-Altgeräte und ihrer Umsetzung in nationales Recht müssen Elektrowerkzeuge, die nicht mehr verwendet werden sollen, getrennt gesammelt und auf umweltgerechte Weise entsorgt werden.

GARANTIE

VONROC-Produkte werden nach den höchsten Qualitätsstandards entwickelt und sind für den gesetzlich festgelegten Zeitraum, ausgehend von dem ursprünglichen Kaufdatum, garantiert frei von Fehlern in Material und Ausführung. Sollte das Produkt in diesem Zeitraum aufgrund von Material- und/oder Verarbeitungsmängeln Fehler aufweisen, wenden Sie sich bitte direkt an VONROC Kundendienst.

Folgende Umstände sind von der Garantie ausgeschlossen:

- Reparaturen und oder Änderungen an der Maschine, die durch nicht-autorisierte Servicestellen vorgenommen oder versucht wurden.
- Normale Abnutzung und Verschleiß.
- Das Werkzeug wurde übermäßig beansprucht, missbräuchlich verwendet oder falsch gewartet.
- Es wurden keine Original-Ersatzteile verwendet.

Dies stellt die einzige Gewährleistung des Unternehmens dar, sowohl ausdrücklich als auch implizit.

Es gibt keine anderen ausdrücklichen oder stillschweigenden Garantien, die über das hier Genannte hinausgehen, einschließlich der stillschweigenden Garantien der Marktgängigkeit oder Eignung für einen bestimmten Zweck. In keinem Fall ist VONROC haftbar für Neben- oder Folgeschäden. Die Rechtsmittel des Händlers beschränken sich auf Reparatur oder Ersatz fehlerhafter Einheiten oder Teile.

Am Produkt und am Benutzerhandbuch können Änderungen vorgenommen werden. Die technischen Daten können sich ohne Vorankündigung ändern.

1. VEILIGHEIDSINSTRUCTIES

Lees de bijgesloten veiligheidswaarschuwingen, de aanvullende veiligheidswaarschuwingen en de instructies. Geef u geen gevolg aan de veiligheidswaarschuwingen en de instructies dan kan dat een elektrische schok, brand en/of ernstig letsel tot gevolg hebben. Bewaar de veiligheidswaarschuwingen en de instructies zodat u ze later ook nog kunt raadplegen.

De volgende symbolen worden gebruikt in de gebruiksaanwijzing of op het product:



Lees de gebruiksaanwijzing.



Duidt op risico op persoonlijk letsel, gevaar van een ongeluk met dodelijke afloop of beschadiging van het gereedschap als de instructies in deze handleiding niet worden opgevolgd.



Stel de machine niet bloot aan regen.



Bescherm het apparaat tegen vorst.



Verbod: de kraan niet openen voordat de luchtslang is aangesloten.



Risico op een elektrische schok.



Gevaar voor brandwonden veroorzaakt door hete oppervlakken.



Let op: de compressor kan als gevolg van een stroomstoring en het aansluitend opnieuw instellen, automatisch starten.



Draag gehoorbescherming.



Het gegarandeerde geluidsvermogensniveau LWA = 78 dB(A).



Gooi het product niet weg in containers die daarvoor niet geschikt zijn.



Het product voldoet aan de geldende veiligheidsnormen zoals opgenomen in de Europese richtlijnen.

ALGEMENE VEILIGHEIDSVOORSCHRIFTEN



WAARSCHUWING! Lees alle veiligheidswaarschuwingen en alle instructies. Het niet opvolgen van onderstaande instructies kan leiden tot een elektrische schok, brand en/of ernstig persoonlijk letsel.

Bewaar deze instructies.

De term "elektrisch gereedschap" in onderstaande waarschuwingen heeft betrekking op zowel apparatuur met een vaste elektriciteitskabel als op apparatuur met een accu (draadloze apparatuur).

1) Werkgebied

- Zorg voor een opgeruimde en goed verlichte werkomgeving.** Rommelige en donkere werkomgevingen leiden tot ongelukken
- Gebruik elektrisch gereedschap nooit in een omgeving waar explosiegevaar bestaat, zoals in de nabijheid van ontvlambare vloeistoffen, gassen, dampen of andere stoffen.** Elektrische gereedschappen kunnen vonken veroorzaken, die deze stoffen tot ontbranding kunnen brengen.
- Wanneer u elektrisch gereedschap gebruikt, houd dan kinderen en omstanders op afstand.** Wanneer u wordt afgeleid, kunt u de controle over het gereedschap verliezen.

2) Elektrische veiligheid

- Stekkers van elektrische gereedschappen moeten probleemloos passen op het stopcontact. Breng nooit wijzigingen aan in of aan de stekker. Gebruik geen adapters voor geaarde elektrische gereedschappen.** Standaardstekkers en passende stopcontacten verkleinen de kans op een elektrische schok.
- Voorkom lichamelijk contact met geaarde oppervlakken van bijvoorbeeld pijpen, leidingen, radiatoren, fornuizen en koelkasten.** Wanneer uw lichaam geaard is, wordt de kans op een elektrische schok groter.
- Stel elektrische gereedschappen nooit bloot aan regen of vocht.** Wanneer er water binnendringt in een elektrisch gereedschap, wordt de kans op een elektrische schok groter.
- Gebruik het snoer niet om het elektrisch gereedschap te dragen, te verplaatsen of de stekker uit het stopcontact te trekken. Bescherm het snoer tegen olie, warmte, scherpe randen en bewegende delen.** Beschadigde of vastzittende snoeren vergroten de kans op een elektrische schok.

- e) **Wanneer u elektrische gereedschappen buiten gebruikt, gebruik dan een verlengkabel die geschikt is voor buitengebruik.** Door een kabel te gebruiken die geschikt is voor buitengebruik, wordt de kans op een elektrische schok kleiner.
- f) **Gebruik een aardlekbeveiliging (RCD) als niet te voorkomen is dat een power tool moet worden gebruikt in een vochtige omgeving.** Gebruik van een RCD vermindert het risico van elektrische schokken.
- 3) Persoonlijke veiligheid**
- a) **Blijf altijd alert, kijk goed wat u doet en gebruik uw gezonde verstand wanneer u een elektrisch gereedschap gebruikt. Gebruik geen elektrische gereedschappen wanneer u moe bent, of drugs, alcohol of medicijnen hebt gebruikt.** Eén moment van onachtzaamheid bij het gebruik van elektrische gereedschappen kan ernstige verwondingen tot gevolg hebben.
- b) **Gebruik persoonlijke beschermingsmiddelen. Draag altijd een veiligheidsbril.** Een gepast gebruik van veiligheidsvoorzieningen, zoals een stof masker, speciale werkschoenen met antislipzolen, een veiligheidshelm en gehoorbescherming verkleinen de kans op persoonlijk letsel.
- c) **Voorkom dat het gereedschap per ongeluk wordt gestart. Zorg dat de schakelaar op de UITpositie staat, voordat u de stekker in het stopcontact steekt.** Draag elektrisch gereedschap nooit met uw vinger op de schakelaar en steek ook nooit de stekker van ingeschakelde elektrische gereedschappen in het stopcontact: dit leidt tot ongelukken.
- d) **Verwijder alle instel en andere sleutels uit het elektrisch gereedschap voordat u hem inschakelt.** Instel en andere sleutels aan een ronddraaiend onderdeel van het elektrisch gereedschap kunnen tot verwondingen leiden.
- e) **Zorg dat u nooit uw evenwicht kunt verliezen; houd altijd twee voeten stevig op de vloer.** Hierdoor kunt u het elektrisch gereedschap in onverwachte situaties beter onder controle houden.
- f) **Zorg dat u geschikte kleding draagt. Draag geen loshangende kleding of sieraden. Houd uw haar, kleding en handschoenen uit de buurt van bewegende delen.** Loshangende kleding, sieraden en lang haar kunnen vast komen te zitten in bewegende delen.
- g) **Wanneer er voorzieningen zijn voor de aansluiting van stofafzuiginstallaties, zorg dan dat ze op de juiste wijze worden aangesloten en gebruikt.** Gebruik van deze voorzieningen vermindert de gevaren die door stof worden veroorzaakt.
- h) **Denk niet dat doordat u gereedschap vaak gebruikt, u wel weet hoe het allemaal werkt en dat u de veiligheidsbeginselen voor het gebruik van het gereedschap wel kunt negeren.** Een onbezonnen actie kan in een fractie van een seconde ernstig letsel tot gevolg hebben.
- 4) Gebruik en onderhoud van elektrisch gereedschap**
- a) **Oefen geen overmatige kracht uit op elektrisch gereedschap. Gebruik het juiste gereedschap voor uw specifieke toepassing.** Met het juiste elektrische gereedschap voert u de taak beter en veiliger uit wanneer dit op de snelheid gebeurt waarvoor het apparaat is ontworpen.
- b) **Gebruik nooit elektrisch gereedschap waarvan de AAN/UITschakelaar niet werkt.** Ieder elektrisch gereedschap dat niet kan worden in en uitgeschakeld met de schakelaar is gevaarlijk en moet worden gerepareerd.
- c) **Trek de stekker uit het stopcontact voordat u wijzigingen aanbrengt aan elektrische gereedschappen, accessoires verwisselt of het elektrisch gereedschap opbergt.** Wanneer u zich aan deze preventieve veiligheidsmaatregelen houdt, beperkt u het risico dat het gereedschap per ongeluk wordt gestart.
- d) **Berg elektrisch gereedschap dat niet in gebruik is op buiten bereik van kinderen en laat personen die niet bekend zijn met het gereedschap of deze instructies het apparaat niet gebruiken.** Elektrisch gereedschap is gevaarlijk in de handen van ongeoefende gebruikers.
- e) **Zorg voor een goed onderhoud van elektrisch gereedschap. Controleer of bewegende delen op de juiste wijze zijn vastgezet. Controleer ook of er geen onderdelen defect zijn of dat er andere omstandigheden zijn die van invloed kunnen zijn op de werking van het gereedschap. Laat het gereedschap bij beschadigingen repareren vóór gebruik.** Veel ongelukken worden veroorzaakt door slecht onderhoud van het gereedschap.
- f) **Zorg dat snij en zaagwerktuigen scherp en schoon blijven.** Goed onderhouden snij en zaagwerktuigen met scherpe randen zullen minder snel vastlopen en zijn eenvoudiger onder controle te houden.

- g) **Gebruik alle elektrische gereedschappen, accessoires, bitjes etc., zoals aangegeven in deze instructies en op de wijze waarvoor het gereedschap is ontworpen. Houd daarbij rekening met de werkomstandigheden en de uit te voeren taak.** Gebruik van elektrisch gereedschap voor handelingen die afwijken van de taken waarvoor het apparaat is ontworpen kunnen leiden tot gevaarlijke situaties.
- h) **Houd handgrepen en greepoppervlakken droog, schoon en vrij van olie en vet.** Gladde handgrepen en greepoppervlakken maken veilig werken en controle over het gereedschap in onverwachte situaties onmogelijk.

5) Service

- a) **Laat uw gereedschap onderhouden door een gekwalificeerde onderhoudstechnicus die alleen gebruikmaakt van identieke vervangingsonderdelen.** Dit zorgt ervoor dat de veiligheid van de powertool intact blijft.

SPECIALE VEILIGHEIDSLINSTRUCTIES

- Waarschuwing! De compressor mag uitsluitend in een daarvoor geschikte ruimte worden gebruikt (met goede ventilatie en een omgevingstemperatuur van 5 °C tot + 40 °C).
- Controleer voordat de verbindingen van de tank worden losgedraaid, of de tank volledig gedeprimeerd is.
- Het is verboden om gaten in de perslucht tank aan te brengen, de perslucht tank te voorzien van laswerk of om de perslucht tank doelbewust te vervormen.
- Neem eerst de stekker uit het stopcontact, voordat handeling aan of met de compressor worden uitgevoerd.
- Richt geen waterstralen of straalstromen die brandbare vloeistoffen bevatten op de compressor.
- Plaats geen brandbare voorwerpen in de omgeving van de compressor.
- Stel de schakelaar (2) tijdens de stilstandtijd in op stand '0' (UIT).
- De luchtstraal nooit op mensen of dieren richten.
- De compressor niet met een onder druk staande tank vervoeren/verplaatsen.
- Opmerking: een aantal onderdelen van de compressor, zoals de bovenkant en de doorvoertleidingen kunnen hoge temperaturen bereiken. Om brandwonden te voorkomen dienen deze onderdelen niet aangeraakt te worden.

- Vervoer de compressor door deze te heffen, of door de speciale handgrepen te gebruiken.
- Kinderen en dieren dienen uit de omgeving van de werking van de machine gehouden te worden.
- Als u de compressor gebruikt om verf te spuiten:
 - a) Werk niet in afgesloten ruimtes of in de nabijheid van open vlammen.
 - b) Controleer of de omgeving waarin u gaat werken specifieke ventilatie heeft.
 - c) Bescherm uw neus en mond met een speciaal daarvoor bestemd masker.
- Gebruik de compressor niet als het snoer of de stekker beschadigd is en overhandig het apparaat aan een erkend servicecentrum ter vervanging met originele onderdelen.
- Als de compressor op een locatie wordt geplaatst die hoger is dan de vloer, dient de compressor vastgezet te worden om te voorkomen dat het tijdens de werking valt.
- Plaats geen voorwerpen of uw handen op de beschermende afdekkingen, zodat fysieke schade en schade aan de compressor wordt voorkomen.
- Gebruik de compressor niet als een bot instrument tegen personen, voorwerpen of dieren om ernstig letsel resp. ernstige schade te voorkomen.
- Als de compressor niet meer wordt gebruikt dient de stekker uit het stopcontact genomen te worden.
- Controleer altijd of de perslucht slangen voor perslucht worden gebruikt en worden gekenmerkt door een maximale druk die aangepast is aan de druk van de compressor. Probeer een beschadigde slang niet te repareren.

VEILIGHEIDSLINSTRUCTIES VOOR HET WERKEN MET PERSLUCHTPISTOLEN

- Tijdens de werking kan de compressor zeer heet worden. Dit is tevens van toepassing op de slangen. Het aanraken van voornoemde onderdelen kan brandwonden veroorzaken.
- De gassen of dampen die door de aanzuiger van de compressor worden aangezogen moeten vrij zijn van hulpstoffen die tot brand of explosie in de compressor kunnen leiden.
- Tijdens het verwijderen van de slangkoppeling, moet de slangkoppeling te allen tijde stevig worden vastgehouden, om letsel als gevolg van een wegslingerende slang te voorkomen.
- Draag een veiligheidsbril tijdens het werken met een perslucht pistool. Vreemde voorwerpen en uitgespoten deeltjes kunnen letsel veroorzaken.

- Richt het perslucht pistool niet op mensen en gebruik het om de kleding die u draagt te reinigen.

Elektrische veiligheid

Bij het gebruik van elektrische machines dient u ten alle tijden de veiligheidsregels in acht te nemen die in uw land van toepassing zijn, om het risico op brand, elektrische schok en persoonlijk letsel te verminderen. Lees de volgende veiligheidsinstructies en de bijgesloten veiligheidsinstructies.



Controleer altijd of de stroomvoorziening overeenkomt met de spanning die wordt vermeld op het typeplaatje.

Verbinding maken met de stroomvoorziening

Controleer dat de voeding en de stekker die wordt gebruikt passen bij de machine. Kijk naar het typeplaatje op de machine. Eventuele veranderingen moeten altijd worden uitgevoerd door een gekwalificeerde elektricien.



Waarschuwing! Deze machine moet op aarde worden aangesloten. Als de machine niet op juiste wijze is geaard, kan dat een elektrische schok tot gevolg hebben. Controleer of het stopcontact is geaard. Laat bij twijfel een controle uitvoeren door een gekwalificeerde elektricien.



Waarschuwing! Vermijd contact met aansluitpunten van de stekker wanneer u de stekker in het stopcontact steekt of uit het stopcontact trekt. Contact veroorzaakt een ernstige elektrische schok.

Snoeren of stekkers vervangen

Als het **netsnoer** vervangen moet worden, moet dat worden gedaan door de fabrikant of een vertegenwoordiger van de fabrikant, zodat veiligheidsrisico's worden vermeden. Gooi oude kabels of stekkers meteen weg nadat ze zijn vervangen door nieuwe. Het is gevaarlijk om de stekker van een losse kabel in een stopcontact te steken.

Verlengsnoeren gebruiken

Gebruik uitsluitend een goedgekeurd verlengsnoer dat geschikt is voor het opgenomen vermogen van het apparaat. De minimumafmeting van de geleider is 1,5 mm². Wanneer u een snoerhaspel gebruikt, rol de haspel dan geheel af.

2. INFORMATIE OVER HET APPARAAT

Bedoeld gebruik

De compressor is ontworpen voor het genereren van perslucht voor door perslucht aangedreven gereedschap. Deze compressor is niet ontworpen voor doorlopend gebruik.

TECHNISCHE SPECIFICATIES

Model Nr.	CR504AC / CR504AC_GREY / CR504AC_WIT
Compressor type	Zuiger - olievrij - geluidsarm
Aandrijving van de compressor	Directe aandrijving
Spanning	220-240 V~
Frequentie	50 Hz
Ingangsvermogen	750 W
Vermogen	1 pk
Bedieningsmodus	S3 50% *
Stationair toerental	1450 / min
IP klasse	IP30
Beschermingsklasse	Klasse I
Luchtinlaat	128 l/min
Uitvoer (perslucht) - 7 bar	42 l/min
Uitvoer (perslucht) - 4 bar	65 l/min
Max. uitgangsdruk	8 bar
Inschakeldruk, ca.	6 bar
Uitschakeldruk, ca.	8 bar
Tankinhoud	6 l
Kabellengte	2 m
Gewicht	16 kg
Geluidsdrukkniveau	$L_{pA} = 79,7 \text{ dB(A)}$ $K_{pA} = 3 \text{ dB(A)}$
Geluidsvermogenkniveau	$L_{WA} = 92,7 \text{ dB(A)}$ $K_{WA} = 3 \text{ dB(A)}$

* S3 = onderbroken gebruik zonder de invloed van het opstarten. Dat wil zeggen dat gedurende een tijdsbestek van 10 minuten, de maximale gebruiksduur 50% is (bijv. 5 minuten gebruiken, 5 minuten pauze), onder optimale omgevingsvoorwaarden (max. temp 25 °C). Het opvolgen van deze richtlijnen en de voorgeschreven onderhoudsintervallen

maken het mogelijk dat het product gedurende de levensduur op de juiste manier blijft functioneren.

BESCHRIJVING

De nummers in deze tekst verwijzen naar de diagrammen op pagina 2-3.

1. Beschermkap
2. Schakelaar
3. Drukschakelaar
4. Drukregelaar
5. Snelkoppeling (uitlaat)
6. Drukmeter (werkdruk)
7. Drukmeter (tankdruk)
8. Veiligheidsklep
9. Handgreep
10. Drukleiding
11. Aftapkraan
12. Luchtinlaat
13. Luchtfilter
14. Overbelastingsschakelaar
15. Slang
16. Rubberen pootjes

3. MONTAGE



Schakel de machine altijd uit voordat u met de montage start en trek de stekker uit het stopcontact.

Het monteren van het luchtfilter (Afb. A, B)

1. Verwijder het transportdeksel en vervang deze met het meegeleverde luchtfilter (13), voordat de compressor gebruikt gaat worden.
2. Monteer het luchtfilter (13) door het luchtfilter (13) naar rechts op de luchtinlaat (12) vast te schroeven, zoals wordt weergegeven in afbeelding B.

Het plaatsen van de compressor

- De compressor moet in een geventileerde en droge omgeving worden geïnstalleerd.
- Controleer of de compressor op een horizontale en stabiele ondergrond is geplaatst.
- Plaats de compressor op een vlakke ondergrond, of op een ondergrond met een maximale helling van 10°, in een goed geventileerde ruimte, beschermd tegen atmosferische factoren en niet in explosieve omgevingen.
- Als de ondergrond een gladde helling heeft, controleer dan of de compressor tijdens de

werking niet zal verplaatsen.

- Voor een juiste ventilatie en een effectieve koeling, is het belangrijk dat de compressor tenminste een afstand van 50 cm van de muur of een voorwerp heeft.
- Zorg ervoor dat de compressor op de juiste manier wordt vervoerd, zet de compressor niet ondersteboven en hef de compressor niet met haken of touwen/kabels.

4. WERKING



Voorafgaand aan het eerste gebruik, moet u eerst de compressor volledig monteren.



Lange netsnoeren, verlengsnoeren, kabelhaspels etc. kunnen de spanning verlagen wat het starten van de motor kan belemmeren. Gebruik geen kabels die langer zijn dan 10 meter. Vonroc adviseert om in plaats daarvan een langere luchtslang te gebruiken.



Het kan moeilijker zijn om de motor te starten als de temperatuur lager is dan 5 °C.



De samenstelling van de leiding voor de bovenkant/cilinder/transmissie kan hoge temperaturen bereiken, wees daarom voorzichtig als u vlakbij deze onderdelen werkt en raak de onderdelen niet aan zodat brandwonden worden voorkomen.

Opstarten (Afb. A)

1. Controleer of de netspanning overeenkomt met hetgeen op het plaatje voor de specificatie van de elektriciteit staat.
2. Zet de AAN/UIT-schakelaar (2) in de stand '0' om de compressor uit te schakelen.
3. Steek de stekker in het stopcontact.
4. Zet de AAN/UIT-schakelaar (2) in de stand 'I' om de compressor in te schakelen.
5. De compressor werkt volledig automatisch. De drukschakelaar (3) stopt de compressor als de maximale waarde is bereikt en start de compressor als de druk onder de minimale waarde daalt. De drukschakelaar (3) wordt op de fabriek ingesteld. In het algemeen is het verschil van de druk tussen de maximale en de minimale waarde ca. 2 bar/29 psi. De compressor stopt als de waarde 8 bar (116 psi) wordt

bereikt (dit is de maximale werkdruk) en start automatisch als de druk in de tank gedaald is tot 6 bar (87 psi).

De luchtslang en het gereedschap aansluiten (Afb. A)

1. Draai de draaiknop van de drukregelaar (4) naar links, totdat de druk volledig is weggefallen.
2. Steek de connector van de luchtslang (niet meegeleverd) in de snelkoppeling (5) op de compressor. De connector klikt tijdens het drukken stevig vast en vergrendeld de luchtslang.
3. Sluit het door lucht aangedreven gereedschap (niet meegeleverd) dat u wilt gebruiken, aan op de snelkoppeling van de luchtslang.
4. Draai de draaiknop van de drukregelaar (4) naar rechts, totdat de drukmeter (6) het door u gewenste drukniveau aangeeft.
5. Uw door lucht aangedreven gereedschap is nu gereed voor gebruik.

De luchtslang en het gereedschap ontkoppelen (Afb. A)



Let op dat u tijdens het loslaten van de snelkoppeling, de slang vasthoud om uzelf te beschermen tegen letsel veroorzaakt door de terugverende slang.

1. Draai de draaiknop van de drukregelaar (4) naar links, totdat de druk volledig is weggefallen.
2. Verlaag de druk door het door druk aangedreven gereedschap (niet meegeleverd) te activeren.
3. Trek de huls op de snelkoppeling van de luchtslang naar achteren en verwijder uw door druk aangedreven gereedschap.
4. Trek de huls op de snelkoppeling (5) naar achteren en verwijder de slang.

Het aflezen van de druk (Afb. A)

De compressor heeft twee drukmeters (6, 7). De tankdruk kan via de drukmeter (7) worden afgelezen en de werkdruk (geregelde druk) kan worden afgelezen via de drukmeter (6). De zwarte schaal geeft de druk in bar aan, de rode schaal geeft de druk in psi aan.

De werkdruk aanpassen (Afb. A)



Het is niet altijd noodzakelijk om de maximale werkdruk te gebruiken. Door lucht aangedreven gereedschap gebruikt vaak minder druk. Controleer altijd de

overeenkomstige werkdruk van het gereedschap dat u wilt gaan gebruiken.

Met betrekking tot de compressoren die met een drukregelaar (4) worden geleverd, is het noodzakelijk om de werkdruk op de juiste manier in te stellen. Het is mogelijk om de werkdruk in te stellen door middel van de draaiknop op de drukregelaar (4):

- Bij het naar rechts draaien, zal de werkdruk verhogen.
- Bij het naar links draaien, zal de werkdruk verlagen.

Opmerking: als tijdens het aanpassen van de druk geen door druk aangedreven gereedschap is gekoppeld, kan het zijn dat de drukmeter (6) de drukverlaging niet nauwkeurig aangeeft.

Overbelastingsschakelaar (Afb. A)

De motor is voorzien van een overbelastingsschakelaar (14). Als de compressor overbelast is, zal de overbelastingsschakelaar (14) de apparatuur automatisch uitschakelen om de compressor tegen oververhitting te beschermen. Als de overbelastingsschakelaar (14) wordt geactiveerd, schakelt u de compressor uit met de AAN/UIT-schakelaar (2) en wacht u tot de compressor is afgekoeld. Vervolgens drukt u op de overbelastingsschakelaar (14) en start u de compressor opnieuw op.

Werkzaamheden beëindigen (Afb. A, C)



Raak de compressor niet aan, tenzij de stroomvoorziening al minimaal 10 minuten geleden werd uitgeschakeld.



Als er risico op vorst aanwezig is, of als u uw compressor langere tijd niet gaat gebruiken, adviseren wij u om uw compressor op een juiste manier op te bergen.

1. Controleer of de AAN/UIT-schakelaar (2) in de stand 'O' staat ingesteld.
2. Trek de netstekker uit de stroomvoorziening.
3. Verlaag de druk in de tank tot ca. 2 bar door een door druk aangedreven gereedschap aan te sluiten en te activeren.
4. Draai vervolgens geleidelijk de aftapkraan (11) aan de onderkant van de tank open. Het water in de tank (15) zal nu uit de tank (15) lopen.
5. Wees voorzichtig als de tank (15) nog perslucht bevat, omdat het water daardoor krachtig kan

- uitspuiten. De aanbevolen druk is max. 1-2 bar.
- Verwijder het door druk aangedreven gereedschap en de slang.
 - Reinig het apparaat en berg het op (zie 'Onderhoud').

5. ONDERHOUD



Schakel de machine altijd uit en trek de stekker uit het stopcontact, voordat de machine wordt gereinigd of onderhoud uitgevoerd gaat worden.



Raak de compressor niet aan, tenzij de stroomvoorziening al minimaal 10 minuten geleden werd uitgeschakeld. Risico van brandwonden!



Altijd de tank eerst drukloos maken, voordat enige reinigings- of onderhoudswerkzaamheden uitgevoerd gaan worden.

Maak de behuizing van het apparaat regelmatig schoon met een zachte doek, bij voorkeur na ieder gebruik. Controleer of de ventilatie-openingen vrij zijn van stof en vuil. Verwijder hardnekkig vuil met een zachte doek vochtig gemaakt met een zeepoplossing. Gebruik geen oplosmiddelen zoals benzine, alcohol, ammoniak, enzovoorts. Chemicaliën zoals deze kunnen de synthetische componenten beschadigen.

De tank aftappen (Afb. C)



Controleer elke keer voorafgaand aan het gebruik, of de tank sporen van roest of beschadigingen heeft. Gebruik de compressor niet met een roestige of beschadigde druktank.

Het comprimeren van lucht zal water in de tank genereren. Regelmatig het water uit de tank aftappen, zodat roestvorming wordt voorkomen. Het is afhankelijk van de vochtigheid, maar het advies is om na elk gebruik het water af te tappen.

- Verlaag de druk in de tank tot ca. 2 bar door een door druk aangedreven gereedschap aan te sluiten en te activeren.
- Draai vervolgens geleidelijk de aftapkraan (11) aan de onderkant van de tank open. Het water in de tank zal nu uit de tank lopen.
- Wees voorzichtig als de tank nog perslucht

bevat, omdat het water daardoor krachtig kan uitspuiten. De aanbevolen druk is max. 1-2 bar.

Het reinigen van het luchtfilter (Afb. D)



Het wordt aanbevolen om elke keer na een gebruik van 50 uur het zuigfilter te demonteren en het filterelement te reinigen door het met perslucht uit te blazen.



Het wordt aanbevolen om het filterelement als het in een schone omgeving wordt gebruikt, minimaal eens per jaar te vervangen. Als de omgeving waar het apparaat wordt gebruikt stoffig is, dient het filterelement vaker te worden vervangen. Een verstopte aanzuigfilter zal de prestaties van de compressor meer dan aanzienlijk verminderen.

- Open de helften van de behuizing van het luchtfilter. Gebruik perslucht op een lage druk (ca. 3 bar) om alle delen van het filter uit te blazen.
- Het filter in omgekeerde volgorde weer samenvoegen.

OPSLAG EN BESCHERMING TEGEN VORST

De compressor en accessoires die nog resterend water bevatten, kunnen door vorst onherstelbaar worden beschadigd. Laat al het water uit de compressor en accessoires lopen en beschermen tegen vorst. Berg het apparaat op in een goed geventileerde, droge ruimte waar de temperatuur niet daalt onder +5 °C. Berg het apparaat, wanneer u het niet gebruikt, op buiten bereik van kinderen.

Storing

Als de machine niet correct functioneert dan zijn er een aantal mogelijke oorzaken. Onderstaand worden een aantal passende oplossingen gegeven:

Luchtverlies

- Kan worden veroorzaakt door een slechte afdichting van een verbinding.
- Controleer alle luchtverbindingen door deze nat te maken met een sopje (gebruik deze echter nooit in de omgeving van elektrische verbindingen).
- Als de tank leeg is en wordt gevuld. De gebruiker kan een sissend geluid bij de drukschakelaar horen. Dat is normaal en stopt voordat de compressor een druk van 1,5 bar heeft bereikt.
- Controleer of de aftapkraan (11) goed gesloten is.

De compressor start niet

Als de compressor moeite heeft om te starten, controleer dan:

- Of het voltage van de netspanning overeenkomt met het voltage zoals gespecificeerd op het typeplaatje.
- Of de gebruikte verlengkabels een defecte kern of onjuiste lengte hebben.
- Of de omgevingstemperatuur te koud is (lager dan 5 °C).
- Of stroomtoevoer aanwezig is (of de stekker op de juiste manier is ingestoken, de thermische zekering niet defect is).

De compressor schakelt niet uit

Als de compressor niet uitschakelt als de maximale druk is bereikt, zal de veiligheidsklep van de tank activeren. Het is noodzakelijk om voor reparatie contact op te nemen met het meest dichtstbijzijnde erkende servicecentrum.

ondernomen, door een niet-geautoriseerd servicecentrum.

- Normale slijtage.
- De machine is misbruikt, verkeerd gebruikt of slecht onderhouden.
- Er zijn niet-originele reserveonderdelen gebruikt.

Dit vormt de enige garantie opgesteld door het bedrijf zowel expliciet als impliciet. Er bestaan geen andere garanties expliciet of impliciet welke verder gaan dan deze garantie, inclusief impliciete garanties van verkoopbaarheid en geschiktheid voor bepaalde doeleinden. In geen enkel geval kan VONROC aansprakelijk worden gesteld voor incidentele schade of gevolgschade. Reparaties van dealers zijn gelimiteerd tot de reparatie of vervanging van defecte producten of onderdelen.

Het product en de gebruikershandleiding zijn onderhevig aan wijzigingen. Specificaties kunnen zonder opgaaf van redenen worden gewijzigd.

MILIEU

Defecte en/of afgedankte elektrische of elektronische gereedschappen dienen ter verwerking te worden aangeboden aan een daarvoor verantwoordelijke instantie.

Uitsluitend voor EU-landen

Werp elektrisch gereedschap niet weg bij het huisvuil. Conform de Europese Richtlijn 2012/19/EU voor Afgedankte Elektrische en Elektronische Apparatuur en de implementatie ervan in nationaal recht moet niet langer te gebruiken elektrisch gereedschap gescheiden worden verzameld en op een milieuvriendelijke wijze worden verwerkt.

GARANTIE

VONROC producten zijn ontworpen volgens de hoogste kwaliteitsstandaarden en gegarandeerd vrij van defecten, zowel materieel als fabrieksfouten, tijdens de wettelijk vastgestelde garantieperiode vanaf de eerste aankoopdatum. Mocht het product tijdens deze periode gebreken vertonen veroorzaakt door defecte materialen en/of fabrieksfouten, neem dan rechtstreeks contact op met VONROC.

De volgende situaties vallen niet onder de garantie:

- Er zijn reparaties of aanpassingen aan de machine uitgevoerd, of er is een poging daartoe

1. CONSIGNES DE SÉCURITÉ

Veillez à bien lire les avertissements de sécurité, les avertissements supplémentaires de sécurité ainsi que toutes les instructions jointes. Le non-respect des avertissements de sécurité et des consignes peut entraîner des décharges électriques, des incendies et/ou de graves blessures. Conservez tous les avertissements et toutes les instructions liées à la sécurité afin de pouvoir vous y référer dans le futur.

Les symboles qui suivent sont utilisés dans la notice ou sur le produit:



Veillez à lire la notice d'utilisation.



Indique un risque de blessure, de décès ou de détérioration de l'outil en cas de non-respect des consignes de ce manuel.



N'exposez pas l'appareil à la pluie.



Protégez l'appareil du gel.



Interdiction: N'ouvrez pas le robinet avant que le tuyau d'air n'ait été raccordé.



Risque de décharge électrique.



Risque de brûlure sur les surfaces chaudes.



Attention: Il est possible que le compresseur démarre automatiquement en cas de coupure puis de reprise de l'alimentation électrique.



Portez une protection auditive.



Le niveau de puissance sonore garanti LWA= 78 dB(A).



Ne jetez pas le produit dans des conteneurs inadaptes.



Le produit est conforme aux normes de sécurité des directives européennes en vigueur.

CONSIGNES GÉNÉRALES DE SÉCURITÉ



AVERTISSEMENT! Veuillez lire l'intégralité des avertissements de sécurité et des instructions. Le non-respect de toutes les instructions indiquées cidessous peut entraîner un risque de choc électrique, d'incendie et/ou de blessures graves.

Conservez ces instructions.

Le terme "appareil électrique" mentionné dans tous les avertissements cidessous se rapporte à un appareil électrique qui se branche au réseau électrique (grâce à un câble d'alimentation) ou à un appareil électrique (sans fil) fonctionnant grâce à une batterie.

1) Espace de travail

- Veillez toujours à garder votre espace de travail propre et bien éclairé.** Les espaces mal rangés et sombres peuvent être la cause d'accidents.
- N'utilisez pas les appareils électriques dans des environnements susceptibles d'explosion, par exemple en présence de liquides inflammables, de gaz ou de particules.** Les appareils électriques provoquent des étincelles qui peuvent enflammer les particules des émanations.
- Veillez à garder éloignés les enfants et les personnes se trouvant dans votre voisinage, lors de l'utilisation d'un appareil électrique.** Les distractions peuvent vous faire perdre le contrôle de l'appareil.

2) Mesures de sécurité électriques

- Les prises des appareils électriques doivent être raccordées à la prise murale correspondante. Ne modifiez jamais la prise de l'appareil, de quelque façon que ce soit. N'utilisez pas d'adaptateurs qui mettent les appareils électriques à la terre (mise à la masse).** Des prises non modifiées et branchées à la prise murale correspondante réduiront les risques de choc électrique.
- Évitez le contact direct avec les surfaces mises à la terre ou mises à la masse comme les canalisations, les radiateurs, les cuisinières et les réfrigérateurs.** En effet, le risque de choc électrique s'accrut si votre corps est mis à la terre ou à la masse.
- N'utilisez pas d'outils électriques dans des environnements pluvieux ou humides.** Si de l'eau s'introduit dans un appareil électrique, le risque de choc électrique augmentera.

- d) **N'utilisez pas le câble de manière abusive. N'utilisez jamais le câble pour transporter, tirer ou débrancher l'appareil électrique. Veillez à garder le câble éloigné des sources de chaleur, des huiles, des rebords coupants ou des pièces actionnées.** Les câbles endommagés ou entremêlés augmentent le risque de choc électrique.
- e) **Lorsque un appareil est utilisé à l'extérieur, utilisez uniquement un câble prolongateur prévu à cet effet.** L'utilisation d'un câble à usage extérieur réduit le risque de choc électrique.
- f) **Si vous êtes contraint d'utiliser un outil électrique dans un environnement humide, utilisez une alimentation protégée par un dispositif à courant résiduel (RCD).** L'utilisation d'un RCD réduit le risque de décharge électrique.
- 3) Sécurité personnelle**
- a) **Restez vigilant, gardez un œil sur ce que vous faites et utilisez votre sens commun lors de l'utilisation d'un appareil électrique. N'utilisez pas un appareil électrique si vous êtes fatigué ou si vous êtes sous l'influence de drogues, d'alcool ou si vous prenez des médicaments.** Un moment d'inattention lors de l'utilisation des appareils électriques peut entraîner des blessures graves.
- b) **Utilisez un équipement de protection personnelle. Protégez-vous toujours les yeux.** Les équipements de protection, tels qu'un masque à poussière, des chaussures antidérapantes, des protections auditives ou un casque de sécurité, utilisés dans de bonnes conditions, réduiront le risque de blessures.
- c) **Prévenez tout démarrage involontaire. Assurez-vous que l'interrupteur est sur la position "arrêt avant de brancher l'appareil.** En effet, le transport des appareils électriques en gardant vos doigts sur l'interrupteur, ou le branchement de ces appareils en ayant l'interrupteur sur "marche accidents.
- d) **Retirez les clés de réglage ou les clés de vis de réglage avant d'allumer l'appareil électrique.** Une clé de vis de réglage ou une clé, laissée sur une pièce en mouvement de l'appareil électrique, peut entraîner des lésions corporelles.
- e) **Ne pas se précipiter. Gardez toujours vos pieds à plat et gardez votre équilibre.** Ceci permet de mieux contrôler l'appareil électrique dans des situations imprévues.
- f) **Habillez-vous convenablement. Ne portez pas de vêtements lâches ou de bijoux. Gardez vos cheveux, vêtements et gants éloignés des pièces actionnées.** En effet, ces derniers peuvent être pris dans les pièces en action.
- g) **Si les appareils sont fournis pour la connexion des équipements d'évacuation et de récupération de la poussière, assurez-vous que ces derniers soient correctement connectés et utilisés.** L'utilisation de ces appareils peut réduire les risques liés à la poussière.
- h) **Ne pensez pas être familiarisé avec l'outil après l'avoir utilisé à de nombreuses reprises, au point de ne plus rester vigilant et d'en oublier les consignes de sécurité.** Toute action imprudente peut engendrer de graves blessures en une fraction de seconde.
- 4) Utilisation et entretien d'un appareil électrique**
- a) **Ne forcez pas l'appareil électrique. Utilisez l'appareil électrique adéquat pour votre application.** Un appareil électrique correctement choisi assurera un meilleur travail et un travail sans danger, au rythme auquel il a été conçu.
- b) **N'utilisez pas l'appareil électrique si l'interrupteur marche/arrêt ne fonctionne pas.** Un appareil électrique qui ne peut pas être commandé par l'interrupteur de contrôle est dangereux et doit être réparé.
- c) **Débranchez la prise du bloc d'alimentation avant d'effectuer des réglages, de changer des accessoires, ou de ranger les appareils électriques.** Ces mesures de sécurité préventives réduiront le risque de démarrage involontaire de l'appareil électrique.
- d) **Rangez les appareils électriques arrêtés hors de la portée des enfants et ne laissez aucune personne, non familiarisée avec l'outil ou ces instructions, utiliser l'appareil électrique.** Les appareils électriques sont dangereux entre les mains d'utilisateurs non formés.
- e) **Entretenez les appareils électriques. Vérifiez tout défaut d'alignement et l'enchaînement des pièces actionnées, la rupture de ces dernières, et les autres conditions qui peuvent affecter le fonctionnement des appareils électriques. En cas de dommages, faites réparer l'appareil électrique avant de le réutiliser.** Nombreux sont les accidents provoqués par des appareils électriques mal entretenus.

- f) **Veillez à garder les outils coupants aiguisés et propres.** Des outils coupants correctement entretenus avec des lames aiguisées sont moins susceptibles de se bloquer et sont plus faciles à contrôler.
- g) **Utilisez l'appareil électrique, les accessoires et les embouts, etc., conformément à ces instructions et de la manière prévue pour le type spécifique de l'appareil électrique, en prenant en compte les conditions de travail et le travail à effectuer.** L'utilisation de l'appareil électrique dans des applications différentes de celles prévues peut entraîner des situations dangereuses.
- h) **Gardez les poignées et les surfaces de préhension sèches, propres et exemptes d'huile et de graisse.** Des poignées et des surfaces de préhension glissantes ne permettent pas de manipuler et de contrôler l'outil correctement en cas de situations inattendues.
- i) **Gardez les poignées et les surfaces de préhension sèches, propres et exemptes d'huile et de graisse.** Des poignées et des surfaces de préhension glissantes ne permettent pas de manipuler et de contrôler l'outil correctement en cas de situations inattendues.
- 5) Maintenance**
- a) **L'entretien de votre outil électrique doit être confié à un réparateur qualifié qui utilise uniquement des pièces de rechange identiques aux pièces d'origine.** Cela permet d'assurer la sécurité de l'outil électrique.

CONSIGNES DE SÉCURITÉ PARTICULIÈRES

- Avertissement ! Le compresseur ne peut être utilisé que dans des endroits adaptés (disposant d'une bonne aération et d'une température ambiante comprise entre 5°C et +40°C).
- Contrôlez que le réservoir a été complètement dépressurisé avant de dévisser les raccords sur le réservoir.
- Il est interdit de percer, de souder ou de déformer le réservoir d'air comprimé.
- N'effectuez aucune opération sur le compresseur sans avoir d'abord débrancher la prise.
- Ne dirigez jamais de jet d'eau et ne pulvérisez aucun liquide inflammable sur le compresseur.
- Ne placez aucun objet inflammable près du compresseur.
- Placez l'interrupteur (2) sur "0" (Arrêt) quand il n'est pas utilisé.

- Ne dirigez le jet d'air vers aucune personne ou animal.
- Ne transportez jamais le compresseur quand le réservoir est sous pression.
- N.B.: certaines pièces du compresseur que la tête et les conduites peuvent devenir très chaudes. Ne touchez jamais ces pièces pour ne pas vous brûler.
- Veillez à transporter le compresseur en le soulevant ou en utilisant les grips et les poignées prévues.
- Les enfants et les animaux doivent être gardés à distance de la zone où la machine est utilisée.
- Si vous utilisez la machine pour pulvériser de la peinture :
 - a) Ne travaillez pas dans des espaces confinés ou près de flammes nues.
 - b) Veillez à ce que l'endroit où vous travaillez dispose d'une bonne aération.
 - c) Protégez votre nez et votre bouche à l'aide d'un masque.
- N'utilisez pas le compresseur sur son câble électrique ou sa prise sont endommagés et contactez un service d'assistance agréé pour les faire remplacer avec des pièces d'origine.
- Si vous installez le compresseur en hauteur, veillez à bien le sécuriser pour ne pas qu'il tombe pendant son utilisation.
- Ne placez aucun objet, ni vos mains sous les caches de protection, afin de ne pas vous blesser et de ne pas endommager le compresseur.
- N'utilisez pas le compresseur comme instrument sur des personnes, des objets ou des animaux, afin d'éviter de gros dommages.
- Débranchez toujours la prise de courant quand le compresseur n'est pas utilisé.
- Veillez toujours à utiliser des tuyaux d'air comprimé prévus à cet effet et dont la pression maximum correspond à celle du compresseur. Ne tentez jamais de réparer un tuyau endommagé.

CONSIGNES DE SÉCURITÉ POUR TRAVAILLER AVEC DES PISTOLETS À AIR COMPRIMÉ

- Le compresseur et les tuyaux peuvent devenir très chauds pendant l'utilisation. Vous pouvez vous brûler si vous les touchez.
- Les gaz et les vapeurs aspirées par l'entrée d'air du compresseur ne doivent contenir aucun mélange susceptible de provoquer des incendies ou des explosions à l'intérieur du compresseur.
- Pour débrancher le raccord de tuyau, tenez-le

toujours fermement afin de ne pas être blessé par son éjection.

- Portez des lunettes de protection si vous travaillez avec un pistolet de soufflage. Les corps étrangers et les particules soufflées peuvent occasionner des blessures.
- Ne dirigez jamais le pistolet vers quiconque et ne l'utilisez pas pour nettoyer les vêtements que vous portez.

Sécurité électrique

Lorsque vous utilisez des machines électriques, respectez toujours la réglementation applicable en matière de sécurité dans votre pays, afin de réduire les risques d'incendie, de décharge électrique ou de blessure. Veuillez à lire les consignes de sécurité qui suivent ainsi que celles jointes.



Assurez-vous toujours que l'alimentation électrique correspond à la tension mentionnée sur la plaque signalétique.

Raccordement à l'alimentation électrique

Contrôlez que l'alimentation électrique et la prise utilisées sont bien adaptées pour cette machine. Consultez la plaque signalétique de la machine. L'ensemble des modifications apportées ne peut être réalisé que par un électricien qualifié.



Avertissement ! Cette machine doit être reliée à la terre. Si elle n'est pas correctement reliée à la terre, cette machine peut être à l'origine de décharges électriques. Veuillez à ce que la prise d'alimentation électrique soit bien reliée à la terre. En cas de doute, faites-la contrôler par un électricien qualifié.



Avertissement ! Évitez tout contact avec les fiches de la prise au moment de brancher (débrancher) la prise dans/de la prise de courant. Tout contact pourrait conduire à une grosse décharge électrique.

Remplacement des câbles ou des prises

Si le remplacement du **câble d'alimentation** est nécessaire, cette intervention doit être effectuée par le fabricant ou l'un de ces agents agréés afin d'éviter tout risque. Jetez immédiatement les vieux câbles ou les vieilles prises après les avoir remplacé(e)s. Il est dangereux de brancher une prise d'un câble altéré dans une prise de courant.

Utilisation d'une rallonge

N'utilisez que des rallonges homologuées, adaptées à l'alimentation électrique de cette machine. La section minimum fil conducteur doit être de 1,5 mm². Si vous utilisez un enrouleur de câble, déroulez toujours le câble complètement.

2. INFORMATIONS SUR LA MACHINE

Utilisation prévue

Le compresseur a été conçu pour générer de l'air comprimé afin de pouvoir utiliser des outils pneumatiques. Ce compresseur n'est pas conçu pour fonctionner en continu.

CARACTÉRISTIQUES TECHNIQUES

N° de modèle	CR504AC / CR504AC_GREY / CR504AC_WHITE
Type du compresseur	Piston - sans huile - silencieux
Entraînement du compresseur	Entraînement direct
Tension	220-240 V~
Fréquence	50 Hz
Puissance absorbée	750 W
Puissance	1 HP
Mode de fonctionnement	S3 50% *
Régime au ralenti	1450/min
Classe IP	IP30
Classe de protection	Classe I
Prise d'air	128 l/min
Sortie (air comprimé) à 7 bars	42 l/min
Sortie (air comprimé) à 4 bars	65 l/min
Pression maxi en sortie	8 bars
Pression de déclenchement approx.	6 bars
Pression de coupure approx.	8 bars
Capacité du réservoir	6L
Longueur du câble	2 m
Poids	16 kg
Niveau de pression sonore	L _{pa} = 79,7 dB(A) K _{pa} = 3 dB(A)
Niveau de puissance sonore	L _{wa} = 92,7 dB(A) K _{wa} = 3 dB(A)

* S3 = fonctionnement intermittent sans l'impact du démarrage. Cela signifie que pendant une période de 10 minutes, la durée maximum de fonctionnement est de 50% (ex : 5 minutes de fonctionnement et 5 minutes de repos), dans des conditions ambiantes optimales (temp. maxi 25°C). Le respect de ces directives et des intervalles de maintenance prescrits permet de faire perdurer le bon fonctionnement du produit.

PRÉSENTATION

Les numéros dans le texte renvoient aux diagrammes des pages 2 à 3.

1. Capot
2. Interrupteur
3. Pressostat
4. Régulateur de pression
5. Raccord rapide (sortie)
6. Manomètre (pression de service)
7. Manomètre (pression du réservoir)
8. Soupape de sûreté
9. Poignée
10. Conduite sous pression
11. Robinet de vidange
12. Arrivée d'air
13. Filtre à air
14. Interrupteur de surcharge
15. Réservoir
16. Pieds en caoutchouc

3. ASSEMBLER LA MACHINE



Avant l'assemblage, éteignez toujours la machine et débranchez la prise électrique du secteur.

Installer le filtre à air (Fig. A, B)

1. Retirez le cache de transport et remplacez-le par le filtre à air fourni (13) avant d'utiliser le compresseur.
2. Installez le filtre à air (13) en le vissant dans le sens des aiguilles d'une montre sur l'arrivée d'air (12), comme illustré par la figure B.

Installer le compresseur

- Le compresseur doit être installé dans un endroit aéré et sec.
- Veillez à positionner le compresseur sur un sol horizontal et stable.
- Positionnez le compresseur sur une surface

plate ou incliné à 10° maximum, dans un endroit bien aéré, protégé des intempéries et dans un environnement ne présentant aucun risque d'explosion.

- Si la surface est en pente et lisse, veillez à ce que le compresseur ne puisse pas se déplacer pendant son utilisation.
- Pour garantir la bonne aération et le bon refroidissement du compresseur, il est important qu'il soit positionné à au moins 50 cm de tout mur ou obstacle.
- Veillez à correctement transporter le compresseur, ne le retournez pas et ne le soulevez pas à l'aide de crochets ou de cordes.

4. UTILISATION



Vous devez parfaitement et complètement assembler le compresseur avant de l'utiliser pour la première fois.



Les câbles d'alimentation longs, les rallonges, les enrouleurs de câble, etc. font chuter la tension et ils peuvent empêcher le démarrage du moteur. N'utilisez pas de câbles de plus de 10m de long. Vonroc conseille plutôt d'utiliser une plus longue conduite d'air à la place.



Le démarrage du moteur peut être plus difficile si la température est inférieure à 5°C.



L'ensemble des conduites tête/cylindre/transmission peut devenir très chaud. Soyez prudent lorsque vous travaillez près de ces pièces et ne les touchez pas pour ne pas vous brûler.

Démarrer la machine (Fig. A)

1. Contrôlez que la tension du secteur correspond à celle indiquée sur la plaque signalétique.
2. Déplacez l'interrupteur Marche/Arrêt (2) sur "0" pour éteindre le compresseur.
3. Insérez la prise de la machine dans une prise de courant.
4. Déplacez l'interrupteur Marche/Arrêt (2) sur "I" pour mettre le compresseur en marche.
5. Le fonctionnement du compresseur est entièrement automatique. Le pressostat (3) arrête le compresseur lorsque la valeur maxi

est atteinte et il le démarrer lorsque la pression chute sous la valeur minimum. Le pressostat (3) a été réglé en usine. La différence de pression entre la valeur maximum et la valeur minimum est normalement de 2 bars/29 psi environ. Le compresseur se coupe lorsqu'il atteint 8 bars (116 psi) (il s'agit de la pression de service maximum) et il redémarrer automatiquement lorsque la pression dans le réservoir chute à 6 bars (87 psi).

Raccorder la conduite d'air et l'outil (Fig. A)

1. Tournez le bouton du régulateur de pression (4) dans le sens inverse des aiguilles d'une montre jusqu'à ce que toute la pression ait été libérée.
2. Insérez le raccord de la conduite d'air (non fourni) dans le raccord rapide (5) sur le compresseur. Lorsque vous l'enfoncez, le raccord s'enclenche en place pour fixer la conduite d'air.
3. Raccordez l'outil pneumatique (non fourni) que vous souhaitez utiliser sur le raccord rapide de la conduite d'air.
4. Tournez le bouton du régulateur de pression (4) dans le sens des aiguilles d'une montre, jusqu'à ce que le manomètre (6) indique le niveau de pression voulu.
5. L'outil pneumatique est alors prêt à l'emploi.

Débrancher la conduite d'air et l'outil (Fig. A)



Lorsque vous libérez le raccord rapide, assurez-vous de bien tenir le raccord afin de vous protéger contre les blessures causées par l'éventuel rebond de la conduite.

1. Tournez le bouton du régulateur de pression (4) dans le sens inverse des aiguilles d'une montre jusqu'à ce que toute la pression ait été libérée.
2. Supprimez la pression en actionnant l'outil pneumatique (non fourni).
3. Tirez le manchon du raccord rapide de la conduite vers l'arrière et retirez l'outil pneumatique.
4. Tirez le manchon du raccord rapide (5) vers l'arrière et retirez la conduite.

Lire la pression (Fig. A)

Le compresseur est équipé de deux manomètres (6, 7). La pression du réservoir est affichée sur le manomètre (7) et la pression de service (pression régulée) est affichée sur le manomètre (6). L'échelle de graduation noire indique la pression en bars et l'échelle de graduation rouge indique la pression en PSI.

Régler la pression de service (Fig. A)



L'utilisation du compresseur à sa pression maximale n'est pas toujours nécessaire. Les outils pneumatiques nécessitent souvent moins de pression. Contrôlez toujours la bonne pression de service de l'outil que vous souhaitez utiliser.

Sur les compresseurs équipés d'un régulateur de pression (4), il est nécessaire de correctement régler la pression de service. Le réglage de la pression de service est effectué en tournant le bouton sur le régulateur de pression (4):

- La pression de service est augmentée en tournant dans le sens des aiguilles d'une montre.
- La pression de service est diminuée en tournant dans le sens inverse des aiguilles d'une montre.

Remarque : si aucun outil n'est raccordé au moment de régler la pression de service, il se peut que le manomètre (6) ne réagisse pas correctement quand la pression chute.

Interrupteur de surcharge (Fig. A)

Le moteur est équipé d'un interrupteur de surcharge (14). Si le compresseur est en surcharge, l'interrupteur (14) coupe automatiquement l'équipement pour éviter la surchauffe. Si l'interrupteur de surcharge (14) se déclenche, éteignez le compresseur à l'aide de l'interrupteur Marche/Arrêt (2) et attendez qu'il refroidisse. Appuyez ensuite sur l'interrupteur de surcharge (14) et redémarrez le compresseur.

Après l'utilisation (Fig. A, C)



Ne touchez pas le compresseur si son alimentation n'a pas été coupée depuis au moins 10 minutes.



En cas de risque de gel ou si vous n'utilisez pas votre compresseur pendant une longue période, veillez à le ranger correctement.

1. Contrôlez que l'interrupteur Marche/Arrêt (2) est bien sur "0".
2. Débranchez la prise de courant.
3. Diminuez la pression dans le réservoir à environ 2 bars en raccordant et en actionnant un outil pneumatique.
4. Ouvrez ensuite lentement le robinet de vidange (11) au bas du réservoir. L'eau présente dans le réservoir (15) s'écoule alors.
5. Faites attention si de l'air comprimé se trouve encore dans le réservoir (15) car l'eau peut être éjectée avec force. Pression maxi recommandée 1 à 2 bars.
6. Retirez l'outil pneumatique et la conduite.
7. Nettoyez et rangez l'équipement (consultez la section "Maintenance").

5. MAINTENANCE



Avant toute opération de nettoyage ou de maintenance, éteignez toujours la machine et débranchez-la.



Ne touchez pas le compresseur si son alimentation n'a pas été coupée depuis au moins 10 minutes. Risque de brûlures !



Veillez à toujours dépressuriser le réservoir avant de toute opération de nettoyage ou de maintenance.

Nettoyez régulièrement l'enveloppe de la machine à l'aide d'un chiffon doux et de préférence après chaque utilisation. Veillez à que les ouvertures d'aération restent exemptes de poussière et de saletés. Supprimez les taches tenaces à l'aide d'un chiffon doux légèrement humide et d'une solution savonneuse. N'utilisez aucun solvant comme de l'essence, de l'alcool, de l'ammoniaque, etc. car ces produits chimiques peuvent endommager les composants synthétiques.

Vidanger le réservoir (Fig. C)



Contrôlez systématiquement l'absence de traces de rouille et de dommages sur le réservoir sous pression avant chaque utilisation. N'utilisez pas le compresseur si la cuve sous pression est endommagée ou rouillée.

L'air comprimé crée de la condensation à l'intérieur du réservoir. Veillez à régulièrement vidanger l'eau du réservoir afin d'éviter sa corrosion. L'intervalle des vidanges est fonction de l'humidité mais nous conseillons de vidanger le réservoir après chaque utilisation.

1. Diminuez la pression dans le réservoir à environ 2 bars en raccordant et en actionnant un outil pneumatique.
2. Ouvrez ensuite lentement le robinet de vidange (11) au bas du réservoir. L'eau présente dans le réservoir s'écoule alors.
3. Faites attention si de l'air comprimé se trouve encore dans le réservoir car l'eau peut être éjectée avec force. Pression maxi recommandée 1 à 2 bars.

Nettoyer le filtre à air (Fig. D)



Il est conseillé de démonter le filtre d'aspiration toutes les 50 heures de service et de nettoyer l'élément filtrant à l'air comprimé.



Il est conseillé de remplacer l'élément filtrant au moins une fois par an si le compresseur est utilisé dans un environnement propre et plus souvent, si l'environnement du compresseur est poussiéreux. Un filtre d'entrée bouché réduit considérablement les performances du compresseur.

1. Ouvrez les deux moitiés du porte-filtre à air. Utilisez de l'air comprimé à basse pression (3 bars environ) pour nettoyer toutes les parties du filtre.
2. Réinstallez le filtre dans l'ordre inverse.

RANGEMENT ET PROTECTION CONTRE LE GEL

Le compresseur et ses accessoires peuvent être endommagés par le gel s'ils ne sont pas complètement vidangés. Veillez à parfaitement vidanger le compresseur et ses accessoires et à les protéger du gel. Conservez cet appareil dans un local bien aéré dont la température ne descend pas en dessous de +5°C. Lorsqu'il n'est pas utilisé, rangez cet appareil dans un endroit sûr, hors de portée des enfants.

Dysfonctionnement

Si la machine devait ne pas fonctionner correctement, voici quelques causes possibles avec des solutions adaptées:

Perte d'air

- Peut être due à une mauvaise étanchéité du raccord.
- Contrôlez tous les raccords pneumatiques en les mouillant avec une solution savonneuse (n'utilisez jamais cette solution près des branchements électriques).
- Lorsque le réservoir est vide et qu'il est rempli. Il est possible que l'utilisateur entende un sifflement au niveau pressostat. C'est normal et le sifflement cesse avant que le compresseur atteigne une pression de 1,5 bar.
- Contrôlez que le robinet de vidange (11) est correctement fermée.

Le compresseur ne démarre pas

Si le compresseur a du mal à démarrer, contrôlez :

- Que la tension du réseau électrique correspond à la tension spécifiée sur la plaque signalétique.
- Que les rallonges électriques utilisées sont de la bonne section et de la bonne longueur.
- Que l'environnement n'est pas trop froid (moins de 5°C).
- Que l'alimentation électrique est bonne (prise correctement branchée, fusibles magnétothermiques non déclenchés).

Le compresseur ne se coupe pas

Si le compresseur ne se coupe pas quand la pression maximum est atteinte, la soupape de sûreté du réservoir est activée. Il est alors nécessaire de contacter votre centre d'assistance le plus proche pour faire la réparation.

ENVIRONNEMENT

Les équipements électroniques ou électriques défectueux ou destinés à être mis au rebut doivent être déposés aux points de recyclage appropriés.

Uniquement pour les pays de l'UE

Ne jetez pas les outils électriques avec les déchets domestiques. Selon la Directive européenne 2012/19/EU relative aux déchets d'équipements électriques et électroniques et sa mise en oeuvre dans le droit national, les outils électriques hors d'usage doivent être collectés séparément et mis au rebut de manière écologique.

GARANTIE

Les produits VONROC sont développés aux plus hauts standards de qualité et ils sont garantis contre les défauts de pièces et de main d'oeuvre pendant la durée légale stipulée à partir de la date d'achat d'origine du produit. En cas d'une quelconque panne du produit pendant cette durée qui serait due à un défaut matériel et/ou de main d'oeuvre, contactez directement VONROC.

Les circonstances suivantes ne sont pas prises en charge par la garantie:

- Des réparations ou altérations ont été effectuées ou tentées sur la machine par un centre de réparation non agréé.
- L'usure normale.
- L'outil a été maltraité, mal utilisé ou mal entretenu.
- Des pièces détachées non d'origine ont été utilisées.

Ceci constitue l'unique garantie accordée par la société explicitement ou implicitement. Il n'existe aucune autre garantie, explicite ou implicite, qui peut s'étendre au delà du contenu ici présent, y compris les garanties marchandes ou d'adaptation à des fins particulières. En aucun cas VONROC ne sera tenu responsable de dommages accidentels ou consécutifs. Les solutions proposées par les revendeurs devront se limiter à la réparation ou le remplacement des éléments ou pièces non conformes.

Le produit et le manuel d'utilisation sont sujets à modifications. Les spécifications peuvent changer sans préavis.

1. INSTRUCCIONES DE SEGURIDAD

Lea las advertencias de seguridad, las advertencias de seguridad adicionales y las instrucciones adjuntas. Si no respeta las advertencias de seguridad y las instrucciones, pueden ocasionarse descargas eléctricas, incendios y/o lesiones graves. Guarde las advertencias de seguridad y las instrucciones para su futura consulta.

En el manual de usuario y en el producto se emplean los siguientes símbolos:



Lea el manual de usuario.



Denota riesgo de lesiones personales, pérdida de la vida o daños a la herramienta en caso de incumplimiento de las instrucciones del presente manual.



No exponer a la lluvia.



Proteja el aparato contra el hielo.



Prohibición: No abra el grifo antes de conectar la manguera de aire.



Riesgo de descarga eléctrica.



Riesgo de quemaduras causadas por superficies calientes.



Atención: el compresor puede arrancar automáticamente en caso de apagón y posterior restablecimiento de la corriente.



Use protectores auditivos.



Nivel de potencia acústica garantizada LWA = 78 dB(A).



No tire el producto en contenedores no apropiados.



El producto es conforme a las normas de seguridad aplicables según las directivas europeas.

INSTRUCCIONES GENERALES DE SEGURIDAD



PRECAUCIÓN! Lea todas las advertencias de seguridad y todas las instrucciones.

Si no lo hace, el uso indebido puede acarrear cortocircuitos, fuego o lesiones graves.

Conserve estas instrucciones.

El término "herramienta eléctrica", en todas las advertencias enumeradas a continuación se refiere a su herramienta eléctrica (inalámbrica) que funciona con una batería o a través de la red eléctrica.

1) Área de trabajo

- Trabaje en un lugar limpio y bien iluminado.** Lugares no iluminados o sucios propician accidentes.
- No use herramientas eléctricas donde haya riesgo de fuego o explosión, p.ej: cerca de líquidos o gases inflamables, polvo etc.** Las herramientas eléctricas producen chispas que pueden producir la ignición de partículas de humo.
- Mantenga a los niños y otras personas alejados mientras utiliza la herramienta eléctrica.** Las distracciones pueden hacer que pierda el control de la herramienta.

2) Seguridad eléctrica

- Cerciórese de que las clavijas de la herramienta eléctrica están correctamente enchufadas. Nunca modifique la clavija. No utilice ningún adaptador para la clavija de una herramienta eléctrica con conexión a tierra.** Las clavijas que no se hayan cambiado y los enchufes adecuados reducen el riesgo de cortocircuitos.
- Evite el contacto humano con superficies con conexiones a tierra como tubos metálicos, conductos, tubos de la calefacción, radiadores y refrigeradores.** El riesgo de cortocircuitos es mayor cuando el cuerpo está en contacto con el suelo.
- No use herramientas eléctricas bajo la lluvia o en entornos húmedos.** Si entra agua en una herramienta eléctrica aumenta el riesgo de cortocircuito.
- No utilice el cable para todo. Nunca utilice el cable para mover la máquina, empujarla o sacar la clavija del enchufe. Mantenga el cable alejado del calor, aceite, zonas cortantes o piezas en movimiento.** Los cables dañados o enredados aumentan el riesgo de cortocircuito.
- Use un cable alargador impermeable adecuado para exteriores cuando trabaje con la herra-**

- mienta eléctrica al aire libre.** El riesgo de cortocircuito es menor si utiliza un cable alargador adecuado para exteriores.
- f) **Si no se puede evitar el uso de la herramienta eléctrica en un lugar húmedo, use suministro protegido mediante dispositivo diferencial residual (DDR).** El uso de un DDR reduce el riesgo de choque eléctrico.
- h) **No permita que la familiaridad adquirida con el uso frecuente de las herramientas le haga confiarse e ignorar los principios de seguridad de las herramientas.** Una acción descuidada puede causar lesiones graves en una fracción de segundo.
- 3) Seguridad personal**
- a) **No se descuide, preste atención a lo que está haciendo y utilice el sentido común mientras trabaje con esta herramienta. No use herramientas eléctricas cuando esté cansado o esté bajo los efectos del alcohol, las drogas o los medicamentos.** Un momento de distracción, mientras utilice la herramienta eléctrica, puede provocar lesiones personales graves.
- b) **Use equipo de protección individual. Use siempre gafas protectoras.** El uso en condiciones apropiadas del equipo de seguridad como por ejemplo: mascarilla antipolvo, zapatos antideslizantes de seguridad, casco o protección para los oídos, disminuye el riesgo de sufrir lesiones personales.
- c) **Evite arranques involuntarios. Asegúrese de que el interruptor está en la posición de apagado antes de conectarlo a la fuente de electricidad.** Transportar herramientas eléctricas con el dedo puesto sobre el interruptor o enchufarlas con el interruptor encendido puede causar accidentes.
- d) **Quite cualquier llave de ajuste antes de encender la herramienta eléctrica.** Una llave olvidada junto a una pieza móvil de la herramienta eléctrica puede provocar lesiones personales graves.
- e) **No se estire demasiado. Mantenga siempre el equilibrio y tenga los pies en el suelo.** Esto permite un mayor control de la herramienta eléctrica en situaciones inesperadas.
- f) **Vístase apropiadamente. No lleve prendas holgadas o joyas. Mantenga su pelo, ropa y guantes alejados de las piezas móviles.** Las prendas holgadas, las joyas y el pelo largo pueden quedar atrapados en las piezas móviles.
- g) **Si se han suministrado dispositivos para la extracción y recogida de polvo asegúrese de que estos estén conectados y se utilicen correctamente.** El uso de estos dispositivos puede reducir los riesgos relacionados con el polvo.
- h) **Mantenga las asas y las superficies de agarre secas, limpias y libres de aceite y grasa.** Las asas y las superficies de agarre resbaladizas no permiten un manejo y control seguros de la herramienta en situaciones inesperadas.
- 4) Utilización y cuidados de la herramienta eléctrica**
- a) **No fuerce la herramienta eléctrica. Utilice la herramienta eléctrica adecuada para el trabajo que vaya a realizar.** Una herramienta eléctrica apropiada realizará un trabajo mejor y más seguro si se utiliza para el objetivo con el que ha sido diseñada.
- b) **No use herramientas que no pueden encenderse o apagarse con el interruptor.** Las herramientas que ya no se puedan encender y apagar son peligrosas y deben repararse.
- c) **Desenchufe la clavija de la toma de electricidad antes de realizar modificaciones, cambiar accesorios o guardar las herramientas eléctricas.** Tales medidas de seguridad preventivas reducen el riesgo de la puesta en marcha accidental.
- d) **Mantenga a los niños alejados de una herramienta eléctrica sin utilizar y no permita a personas que no estén familiarizadas con la máquina o estas instrucciones utilizar la herramienta.** La herramienta eléctrica puede ser peligrosa cuando la utilicen personas sin experiencia.
- e) **Conserve sus herramientas cuidadosamente. Verifique cualquier desalineación o agarrotamiento de piezas móviles, piezas dañadas y cualquier otra causa, que pudiera repercutir en el buen funcionamiento de la herramienta eléctrica. Si la herramienta está estropeada, repárela antes de utilizarla.** Muchos de los accidentes están causados por un mantenimiento insuficiente del equipo eléctrico.
- f) **Mantenga las herramientas de corte limpias y afiladas.** Sierras con esquinas cortantes con un buen mantenimiento se bloquean menos y son más fáciles de controlar.
- g) **Utilice la herramienta eléctrica, accesorios y brocas etc. Siguiendo las instrucciones atendiendo al tipo de herramienta eléctrica y tenga en cuenta las condiciones de trabajo y el tipo de trabajo que se va a realizar.** Puede ser peligroso realizar trabajos con la herramienta diferentes de aquellos para los que está diseñada.

5) Servicio

- a) **Haga reparar su herramienta eléctrica por una persona cualificada, usando solo piezas de repuesto idénticas.** Esto garantiza que se mantenga la seguridad de la herramienta eléctrica.

INSTRUCCIONES DE SEGURIDAD ESPECIALES

- ¡Advertencia! El compresor puede usarse únicamente en lugares adecuados (que tengan buena ventilación y temperatura ambiente de entre 5 °C a +40 °C).
- Antes de desatornillar las conexiones del depósito, compruebe que este esté totalmente descomprimido.
- Se prohíbe hacer agujeros o soldaduras en el depósito de aire comprimido o alterarlo intencionalmente.
- No realice ninguna intervención en el compresor sin haber sacado antes el enchufe de la toma de corriente.
- No dirija chorros de agua ni líquidos inflamables hacia el compresor.
- No coloque objetos inflamables cerca del compresor.
- Coloque el interruptor (2) en la posición "0" (OFF) durante el tiempo de parada.
- Nunca dirija el chorro de aire hacia personas o animales.
- No transporte el compresor con el depósito presurizado.
- Importante: algunas partes del compresor, como el cabezal y los tubos de alimentación, pueden alcanzar altas temperaturas. No toque estas partes para evitar quemaduras.
- Transporte el compresor levantándolo o utilizando las asas o empuñaduras especiales.
- Los niños y los animales deben mantenerse alejados de la zona de funcionamiento de la máquina.
- Si utiliza el compresor para pintar con pistola:
 - a) No trabaje en lugares cerrados ni cerca de llamas desnudas.
 - b) Asegúrese de que el entorno en el que vaya a trabajar tenga una ventilación dedicada.
 - c) Protéjase la nariz y la boca con una máscara especial.
- No utilice el compresor si el cable de corriente o el enchufe están dañados y, en su caso, hágalos sustituir con otros originales por un Servicio de Asistencia Técnica autorizado.
- Cuando coloque el compresor sobre una superficie por encima del suelo, debe fijarlo para

evitar que se caiga durante el funcionamiento.

- No coloque ningún objeto ni las manos en las cubiertas protectoras, para evitar lesiones personales y daños al compresor.
- Para evitar daños graves, no utilice el compresor como instrumento contundente contra personas, objetos o animales.
- Cuando termine de usar el compresor, retire siempre el enchufe de la toma de corriente.
- Asegúrese de usar siempre mangueras para aire comprimido, que admitan una presión máxima ajustada a la del compresor. No intente reparar la manguera si está dañada.

INSTRUCCIONES DE SEGURIDAD PARA TRABAJAR CON PISTOLAS DE AIRE COMPRIMIDO

- El compresor y las mangueras pueden alcanzar temperaturas muy elevadas durante el funcionamiento. Pueden causar quemaduras al tocarlos.
- Los gases o vapores aspirados por la entrada del compresor deben mantenerse libres de aditivos que puedan provocar incendios o explosiones en el interior del compresor.
- Al desmontar el acoplamiento del cabezal, sujételo siempre con firmeza para evitar el riesgo de sufrir lesiones causadas por el desprendimiento de la manguera.
- Utilice gafas de seguridad cuando trabaje con la pistola de soplado. Los cuerpos extraños y las partículas sopladas pueden provocar lesiones con facilidad.
- No dirija la pistola de soplado hacia las personas ni la utilice para limpiar la ropa que lleva puesta.

Seguridad eléctrica

Cuando use máquinas eléctricas observe siempre las normas de seguridad aplicables en su país para reducir el riesgo de incendios, descargas eléctricas y lesiones personales. Lea las siguientes instrucciones de seguridad y las instrucciones de seguridad adjuntas.



Compruebe siempre que la tensión de alimentación corresponda a la tensión indicada en la placa de datos.

Conexión a la fuente de alimentación

Compruebe que la fuente de alimentación y el enchufe utilizados sean adecuados para la máquina. Consulte los datos de la placa de datos de la

máquina. Todos los cambios deben ser realizados siempre por un electricista cualificado.



¡Advertencia! Esta máquina debe estar conectada a tierra. Si esta máquina no se conecta a tierra correctamente, puede causar una descarga eléctrica. Compruebe que la toma de corriente de la fuente de alimentación esté conectada a tierra. Si tiene alguna duda, hágalo revisar por un electricista cualificado.



¡Advertencia! Evite el contacto con los terminales del enchufe cuando conecte el enchufe en la toma de corriente o lo desconecte. El contacto puede causar una fuerte descarga eléctrica.

Sustitución de cables o enchufes

Si es necesario cambiar **el cable de alimentación**, debe hacerlo el fabricante o su representante, para evitar riesgos de seguridad. Deseche inmediatamente los cables o enchufes viejos retirados cuando hayan sido sustituidos por otros nuevos. Es peligroso insertar el enchufe de un cable suelto a una toma de corriente de pared.

Uso de cables prolongadores

Use solo un cable prolongador apto para la potencia nominal de la máquina. El tamaño mínimo del conductor es de 1,5 mm². Cuando utilice un carrete de cable, desenróllelo siempre completamente.

2. INFORMACIÓN SOBRE LA MÁQUINA

Uso previsto

El compresor ha sido diseñado para generar aire comprimido para las herramientas accionadas por aire comprimido. Este compresor no ha sido diseñado para el funcionamiento continuo.

ESPECIFICACIONES TÉCNICAS

Modelo n.º	CR504AC / CR504AC_GREY / CR504AC_WHITE
Tipo de compresor	Pistón - sin aceite - bajo nivel de ruido
Accionamiento del compresor	Accionamiento directo
Voltaje	220-240 V~

Frecuencia	50 Hz
Potencia de entrada	750 W
Caballos de fuerza	1 HP
Modo de funcionamiento	S3 50 % *
Velocidad en vacío	1450/min
Clase IP	IP30
Clase de protección	Clase I
Toma de aire	128 l/min
Salida (aire comprimido) a 7 bar	42 l/min
Salida (aire comprimido) a 4 bar	65 l/min
Presión máx. de salida	8 bar
Presión aprox. de conexión	6 bar
Presión aprox. de desconexión	8 bar
Capacidad del depósito	6 L
Longitud del cable	2 m
Peso	16 kg
Nivel de presión acústica	$L_{pA} = 79,7$ dB(A) $K_{pA} = 3$ dB(A)
Nivel de potencia acústica	$L_{WA} = 92,7$ dB(A) $K_{WA} = 3$ dB(A)

* S3 = funcionamiento intermitente sin el impacto del arranque. Esto significa que, durante 10 minutos, el tiempo máximo de funcionamiento es del 50 % (p. ej., 5 minutos de trabajo y 5 minutos de reposo), en condiciones ambientales óptimas (temperatura máx. 25 °C). Si se respetan estas pautas y los intervalos de mantenimiento prescritos, el producto funcionará correctamente a lo largo del tiempo.

DESCRIPCIÓN

Los números del texto se refieren a los diagramas de las páginas 2-3.

1. Cubierta
2. Interruptor
3. Presostato
4. Regulador de presión
5. Acoplador rápido (salida)
6. Manómetro (presión de funcionamiento)
7. Manómetro (presión del depósito)
8. Válvula de seguridad
9. Asa

10. Tubo de presión
11. Grifo de desagüe
12. Entrada de aire
13. Filtro de aire
14. Interruptor de sobrecarga
15. Depósito
16. Pies de goma

3. MONTAJE



Antes del montaje, apague siempre la máquina y extraiga el enchufe de la red de alimentación.

Montaje del filtro de aire (Fig. A, B)

1. Antes de usar el compresor, saque la tapa de transporte y sustitúyala con el filtro de aire suministrado (13).
2. Monte el filtro de aire (13) enroscándolo en sentido horario en la entrada de aire (12), como se muestra en la figura B.

Instalación del compresor

- El compresor debe instalarse en un entorno ventilado y seco.
- Asegúrese de que el compresor esté colocado en un suelo horizontal y estable.
- Coloque el compresor sobre una superficie plana o con una inclinación máxima de 10°, en un lugar bien ventilado, protegido de los factores atmosféricos, y no en un entorno explosivo.
- Si la superficie es inclinada y lisa, compruebe que el compresor no se mueva durante el funcionamiento.
- Para una ventilación adecuada y un enfriamiento eficaz, es importante que el compresor esté colocado al menos a 50 cm de distancia de cualquier pared u otro obstáculo.
- Asegúrese de transportar correctamente el compresor, no lo dé vuelta y no lo levante con ganchos ni cuerdas.

4. FUNCIONAMIENTO



Debe montar totalmente el compresor antes de utilizarlo por primera vez.



Los cables de alimentación largos, las prolongaciones, los carretes de cable, etc. causan una caída de tensión y pueden impedir que arranque el motor. No utilice

cables de más de 10 m de longitud. Vonroc aconseja, en cambio, usar una manguera de aire más larga.



Puede que sea más difícil arrancar el motor si la temperatura es inferior a 5 °C.



El cabezal/cilindro/conjunto de tubos de transmisión puede alcanzar altas temperaturas, por ello hay que tener cuidado al trabajar cerca de estas piezas y no tocarlas, para evitar quemaduras.

Puesta en marcha (Fig. A)

1. Compruebe si la tensión de red corresponde a la indicada en la placa de datos eléctricos.
2. Coloque el interruptor de encendido y apagado (2) en la posición '0' para apagar el compresor.
3. Coloque el enchufe en una toma de corriente adecuada.
4. Coloque el interruptor de encendido y apagado (2) en la posición 'I' para encender el compresor.
5. El funcionamiento del compresor es totalmente automático. El presostato (3) detiene el compresor cuando este alcanza el valor máximo y lo hace arrancar cuando la presión cae por debajo del valor mínimo. El presostato (3) viene ajustado de fábrica. Por lo general, la diferencia de presión entre el valor máximo y el mínimo es de aproximadamente 2 Bar/29 psi. El compresor se detiene cuando alcanza los 8 Bar (116 psi) (esta es la presión máxima de funcionamiento) y arranca automáticamente cuando la presión interior del tanque baja a 6 Bar (87 psi).

Conexión de la manguera y la herramienta neumáticas (Fig. A)

1. Gire el botón giratorio del regulador de presión (4) en sentido antihorario hasta que se libere totalmente la presión.
2. Inserte el conector de la manguera neumática (no suministrado) en el acoplador rápido (5) del compresor. Al empujar el conector, este hace clic al encajar en su sitio fijando la manguera de aire.
3. Conecte la herramienta neumática (no suministrada) que desee usar al acoplamiento rápido de la manguera de aire.
4. Gire el botón giratorio del regulador de presión (4) en sentido horario hasta que el manómetro (6) indique el nivel de presión requerido.
5. Su herramienta neumática ya está lista para usar.

Desconexión de la manguera y la herramienta neumáticas (Fig. A)



Cuando suelte el acoplador rápido, asegúrese de sujetar la manguera para protegerse de las posibles lesiones causadas por los latigazos de la manguera.

1. Gire el botón giratorio del regulador de presión (4) en sentido antihorario hasta que se libere totalmente la presión.
2. Reduzca la presión accionando la herramienta neumática (no suministrada).
3. Tire hacia atrás el manguito del acoplador rápido de la manguera de aire y retire la herramienta neumática.
4. Tire hacia atrás del manguito del acoplador rápido (5) y retire la manguera.

Lectura de la presión (Fig. A)

El compresor tiene dos manómetros (6, 7). La presión del depósito puede leerse en el manómetro (7), y la presión de funcionamiento (presión regulada) puede leerse en el manómetro (6). La escala negra indica la presión en bar y la escala roja, la presión en PSI.

Ajuste de la presión de funcionamiento (Fig. A)



No es necesario utilizar siempre la presión máxima de funcionamiento. Las herramientas de aire suelen requerir menos presión. Compruebe siempre la presión de funcionamiento correcta de la herramienta que vaya a utilizar.

En el caso de los compresores que se suministran con un regulador de presión (4), es necesario ajustar la presión de funcionamiento correctamente. La presión de funcionamiento puede ajustarse con el botón giratorio del regulador de presión (4):

- Girando en sentido horario, la presión de funcionamiento aumenta.
- Girando en sentido antihorario, la presión de funcionamiento disminuye.

Nota: si no se conecta una herramienta neumática mientras se ajusta la presión, puede ocurrir que el manómetro (6) no reaccione con precisión a la caída de presión.

Interruptor de sobrecarga (Fig. A)

El motor está dotado de un interruptor de sobrecarga (14). Si el compresor se sobrecarga, el interruptor de sobrecarga (14) desconecta el equipo automáticamente para proteger el compresor contra el sobrecalentamiento. Si se dispara el interruptor de sobrecarga (14), desconecte el compresor mediante el interruptor de encendido/apagado (2) y espere a que se enfríe. Después pulse el interruptor de sobrecarga (14) y vuelva a encender el compresor.

Finalización de la operación (Fig. A, C)



No toque el compresor salvo que la corriente haya estado cortada durante al menos 10 minutos.



Cuando haya riesgo de heladas o si no utiliza el compresor por un largo periodo de tiempo, guárdelo adecuadamente.

1. Compruebe que el interruptor de encendido y apagado (2) esté en la posición '0'.
2. Desconecte el enchufe de la red eléctrica.
3. Reduzca la presión del depósito hasta aproximadamente 2 bar conectando y accionando una herramienta neumática.
4. Después abra lentamente el grifo de desagüe (11) situada en la salida de la parte inferior del depósito. Ahora el agua del depósito (15) saldrá del depósito.
5. Tenga cuidado cuando haya aire comprimido en el depósito (15) porque el agua puede salir con fuerza. La presión máx. recomendada es de 1-2 Bar.
6. Retire la herramienta neumática y la manguera.
7. Limpie y guarde el dispositivo (Consulte 'Mantenimiento').

5. MANTENIMIENTO



Antes de realizar la limpieza y el mantenimiento, apague siempre la máquina y extraiga el enchufe de la red de alimentación.



No toque el compresor salvo que la corriente haya estado cortada durante al menos 10 minutos. ¡Riesgo de quemaduras!



Despresurice siempre el depósito antes de realizar cualquier trabajo de limpieza o mantenimiento.

Limpie regularmente la carcasa de la máquina con un paño suave, preferentemente después de cada uso. Compruebe que los orificios de ventilación estén libres de polvo y suciedad. Elimine el polvo persistente utilizando un paño suave humedecido con agua y jabón. No use disolventes tales como gasolina, alcohol, amoníaco, etc. Tales productos químicos pueden dañar los componentes sintéticos.

Drenaje del depósito (Fig. C)



Antes de cada uso, compruebe que el depósito de presión no tenga óxido ni daños. No utilice el compresor si tiene el tanque de presión dañado u oxidado.

Al comprimir el aire, se genera agua en el depósito. Vacíe regularmente el agua del depósito para evitar la corrosión. Depende de la humedad, pero se recomienda hacerlo después de cada uso.

1. Reduzca la presión del depósito hasta aproximadamente 2 bar conectando y accionando una herramienta neumática.
2. Después abra lentamente el grifo de desagüe (11) situada en la salida de la parte inferior del depósito. Ahora el agua del depósito saldrá del depósito.
3. Tenga cuidado cuando haya aire comprimido en el depósito porque el agua puede salir con fuerza. La presión máx. recomendada es de 1-2 Bar.

Limpieza del filtro de aire (Fig. D)



Se recomienda desmontar el filtro de aspiración cada 50 horas de funcionamiento y limpiar el elemento filtrante soprándolo con aire comprimido.



Se recomienda sustituir el elemento filtrante al menos una vez al año si el compresor trabaja en un entorno limpio; y más a menudo si el entorno es polvoriento. Si el filtro de entrada está obstruido, se reduce drásticamente el rendimiento del compresor.

1. Abra las dos mitades de la carcasa del filtro de aire. Soplar ambas partes del filtro con aire comprimido a baja presión (aprox. 3 bar).
2. Monte el filtro en orden inverso.

ALMACENAMIENTO Y PROTECCIÓN CONTRA EL HIELO

El compresor y los accesorios que no estén totalmente drenados pueden destruirse con las heladas. Drene totalmente el compresor y los accesorios para protegerlos contra el hielo. Guarde el aparato en un lugar bien ventilado y seco, a una temperatura no inferior a +5 °C. Cuando no use el aparato, guárdelo en un lugar seguro, fuera del alcance de los niños.

Mal funcionamiento

En caso de que la máquina no funcione correctamente, a continuación se indican las posibles causas y la solución apropiada:

Pérdida de aire

- Puede estar causada por el sellado deficiente de una conexión.
- Compruebe todas las conexiones de aire mojándolas con una solución de agua jabonosa (nunca utilice la solución cerca de las conexiones eléctricas).
- Cuando el depósito está vacío y se está llenando. El usuario puede escuchar un sonido de chispeo cerca del presostato. Es normal y se detiene antes de que el compresor alcance una presión de 1,5 bar.
- Compruebe si el grifo de desagüe (11) está bien cerrada.

El compresor no arranca

Si el compresor tiene dificultad para arrancar, compruebe:

- Si el voltaje de red coincide con el de la placa de datos.
- Si se están utilizando cables de prolongación de núcleo o longitud incorrecta.
- Si la temperatura ambiente es demasiado fría (inferior a 5 °C).
- Si hay suministro eléctrico (enchufe bien conectado, fusibles magnetotérmicos no rotos).

El compresor no se apaga

Si el compresor no se apaga al alcanzar la presión máxima, se activa la válvula de seguridad del depósito. Es necesario contactar con el Servicio de Asistencia Técnica autorizado más cercano para que lo reparen.

MEDIOAMBIENTE



Los aparatos eléctricos o electrónicos defectuosos y/o desechados deben recogerse en lugares de reciclado apropiado.

Solo para países de la Comunidad Europea

No elimine las herramientas eléctricas como residuos domésticos. De acuerdo con la Directiva europea 2012/19/EU sobre residuos de aparatos eléctricos y electrónicos, y su transposición a las legislaciones nacionales, las herramientas eléctricas que ya no se utilizan deben recogerse por separado y eliminarse en modo ecológico.

CONDICIONES DE GARANTÍA

Los productos VONROC han sido desarrollados con los más altos estándares de calidad y VONROC garantiza que están exentos de defectos relacionados con los materiales y la fabricación durante el periodo legalmente estipulado, a contar desde la fecha de compra original. En caso de que el producto presente defectos relacionados con los materiales y/o la fabricación durante este periodo, póngase directamente en contacto VONROC. La presente garantía se excluye en los siguientes casos:

- Si centros de servicios no autorizados han realizado o han intentado realizar reparaciones y/o alteraciones a la máquina.
- Si se ha producido un desgaste normal.
- Si la herramienta ha sido mal tratada o usada en modo impropio, o se ha realizado incorrectamente su mantenimiento.
- Si se han utilizado piezas de repuesto no originales.

La presente constituye la única garantía implícita y explícita que ofrece la compañía. No existen otras garantías explícitas o implícitas que excedan las citadas aquí, incluidas las garantías implícitas de comerciabilidad e idoneidad para una finalidad en especial. VONROC no será considerada responsable en ningún caso por daños incidentales o consecuentes. Los recursos a disposición de los distribuidores se limitan a la reparación o a la sustitución de las unidades o piezas no conformes.

El producto y el manual de usuario están sujetos a variaciones. Las especificaciones pueden variarse sin previo aviso.

1. ISTRUZIONI DI SICUREZZA

Leggere le avvertenze di sicurezza, le avvertenze di sicurezza aggiuntive e le istruzioni contenute in questo manuale. La mancata osservanza delle avvertenze e istruzioni di sicurezza potrebbe dar luogo a scosse elettriche, incendi e/o lesioni personali gravi. Conservare le avvertenze di sicurezza e le istruzioni per riferimenti futuri.

I simboli riportati di seguito vengono utilizzati all'interno del manuale per l'operatore oppure sono indicati sul prodotto:



Leggere il manuale per l'utente.



Denota il rischio di lesioni personali, morte o danni all'utensile in caso di mancata osservanza delle istruzioni contenute in questo manuale.



Non esporre alla pioggia.



Proteggere l'apparecchio dal gelo.



Divieto: non aprire il rubinetto prima di aver collegato il tubo flessibile dell'aria.



Rischio di scosse elettriche.



Rischio di ustioni causate da superfici molto calde.



Attenzione: il compressore potrebbe avviarsi automaticamente in caso di blackout e successivo ripristino della corrente.



Indossare protezioni acustiche.



Livello di potenza sonora garantito LWA = 78 dB(A).



Non smaltire il prodotto in contenitori non idonei.



Il prodotto è conforme alle norme di sicurezza vigenti ai sensi delle direttive europee.

REGOLE GENERALI DI SICUREZZA



ATTENZIONE! Leggere tutte le avvertenze di sicurezza e tutte le istruzioni. Se non si seguono tutte le istruzioni sotto elencate, si può incorrere in uno shock elettrico, in un incendio e/o in lesioni serie.

Conservare queste istruzioni.

Il termine "arnese elettrico" in tutti gli avvertimenti sotto elencati si riferisce al vostro arnese elettrico che funziona a corrente (con filo) o ad un arnese che funziona a pile (senza filo).

1) Area di lavoro

- a) **Mantenere l'area di lavoro pulita e ben illuminata.** Aree buie e disordinate favoriscono gli incidenti.
- b) **Non usare arnesi elettrici in atmosfere esplosive, come vicino ai liquidi infiammabili, gas o polveri.** Gli arnesi elettrici creano scintille che possono incendiare la polvere dei vapori.
- c) **Tenere lontani bambini e altre persone mentre si accende l'arnese elettrico.** Le distrazioni possono farvi perdere il controllo.

2) Sicurezza elettrica

- a) **Le spine dell'arnese elettrico devono andare bene per la presa di corrente. Non modificare mai la spina in alcun modo. Non usare alcun adattatore con arnesi elettrici a terra (messo a terra).** Spine non modificate che vanno bene per le prese di corrente ridurranno il rischio di shock elettrico.
- b) **Evitare il contatto corporeo con superfici a terra come tubature, radiatori, fornelli e refrigeratori.** C'è un rischio maggiore di shock elettrico se il vostro corpo è a terra.
- c) **Non esporre arnesi elettrici alla pioggia o a condizioni di umidità.** Se dell'acqua penetra nell'arnese elettrico aumenterà il rischio di shock elettrico.
- d) **Non abusare del filo. Non usare mai il filo per trasportare, spingere o staccare dalla presa l'arnese elettrico. Tenere il filo lontano da calore, olio, bordi taglienti o parti mobili.** Fili danneggiati o aggrovigliati aumentano il rischio di shock elettrico.
- e) **Quando si accende un arnese elettrico all'aperto, usare una prolunga adatta a tale uso.** Usare un filo adatto all'uso all'aperto ridurrà il rischio di shock elettrico.
- f) **Se non è possibile evitare l'uso di un elettroutensile in ambiente umido, usare una rete**

di alimentazione protetta da un interruttore differenziale (salvavita). L'uso di un salvavita riduce il rischio di scosse elettriche.

3) Sicurezza personale

- a) **Stare vigili e attento quando si accende un arnese elettrico. Non usare un arnese elettrico mentre si è stanco o sotto l'effetto di droghe, alcool o medicinali.** Un momento di disattenzione mentre si accendono arnesi elettrici può causare delle gravi lesioni personali.
- b) **Usare dispositivi di protezione individuale. Indossare sempre una protezione per gli occhi.** Dispositivi di sicurezza come mascherina per la polvere, scarpe di sicurezza antiscivolo, casco, o protezioni per le orecchie usate nelle appropriate condizioni, ridurranno le lesioni personali.
- c) **Prevenire l'avvio accidentale. Assicurarsi che l'interruttore sia spento prima di collegarsi.** Trasportare elettroutensili tenendo il dito sull'interruttore di accensione o dare corrente ad elettroutensili con l'interruttore acceso può dare luogo a incidenti.
- d) **Rimuovere ogni chiave regolatrice o chiave per dadi prima di accendere l'arnese elettrico.** Una chiave per dadi o una chiave lasciata attaccata ad una parte rotante dell'arnese elettrico può provocare lesioni personali.
- e) **Cercare di mantenere l'equilibrio. Mantenere sempre un punto d'appoggio appropriato.** Questo consente un controllo migliore dell'arnese elettrico in situazioni inaspettate.
- f) **Vestirsi adeguatamente. Non indossare vestiti larghi o gioielli. Tenere lontano capelli, vestiti e guanti dalle parti mobili.** Vestiti larghi, gioielli o capelli lunghi possono essere presi nelle parti mobili.
- g) **Se vengono forniti dispositivi per la connessione dell'estrazione della polvere e attrezzature di raccolta, assicurarsi che questi siano collegati e usati correttamente.** L'uso di questi dispositivi può ridurre i rischi correlati alla polvere.
- h) **Non lasciare che la confidenza acquisita dall'uso frequente induca l'utilizzatore ad assumere comportamenti imprudenti e a ignorare i principi di sicurezza per l'utensile.** Una semplice distrazione può provocare gravi lesioni personali in una frazione di secondo.

4) Uso e manutenzione dell'arnese elettrico

- a) **Non forzare l'arnese elettrico. Usare l'arnese elettrico corretto per il vostro impiego.** L'arnese elettrico corretto farà il lavoro meglio e in maniera più sicura alla velocità per la quale è stato progettato.
- b) **Non usare l'arnese elettrico se l'interruttore non si accende o non si spegne.** Ogni arnese elettrico che non può essere controllato con l'interruttore è pericoloso e deve essere riparato.
- c) **Scollare la spina dalla sorgente di elettricità prima di fare qualsiasi regolazione, cambiare gli accessori, o conservare arnesi elettrici.** Tali misure di sicurezza preventive riducono il rischio di accendere l'arnese elettrico accidentalmente.
- d) **Conservare gli arnesi elettrici inattivi fuori dalla portata dei bambini e non permettere a persone che non hanno confidenza con l'arnese elettrico o con queste istruzioni di usare l'arnese elettrico.** Gli arnesi elettrici sono pericolosi per utenti inesperti.
- e) **Mantenere gli arnesi elettrici. Controllare il non allineamento o l'attacco di parti mobili, la rottura di parti ed ogni altra condizione che può influire sul funzionamento degli arnesi elettrici. Se è danneggiato, far riparare l'arnese elettrico prima dell'uso.** Molti incidenti sono causati da arnesi elettrici mantenuti male.
- f) **Mantenere gli arnesi da taglio affilati e puliti.** È meno probabile che si attacchino degli arnesi da taglio mantenuti correttamente con tagli affilate e questi sono anche più facili da controllare.
- g) **Usare l'arnese elettrico, gli accessori e le parti dell'arnese ecc, secondo queste istruzioni e nel modo pensato per il particolare tipo di arnese elettrico, tenendo conto delle condizioni di lavoro e del lavoro da svolgere.** L'uso dell'arnese elettrico per operazioni diverse da quelle pensate potrebbe causare situazioni pericolose.
- h) **Mantenere le impugnature e le superfici di presa asciutte, pulite e libere da olio e grasso.** Impugnature e superfici di presa scivolose non consentono di maneggiare e controllare in sicurezza l'utensile in situazioni impreviste.
- #### 5) Riparazione
- a) **L'assistenza per l'elettrotensile deve essere prestata da un tecnico qualificato che utilizzi soltanto ricambi originali.** In questo modo viene garantita la sicurezza dell'elettrotensile.

ISTRUZIONI DI SICUREZZA SPECIFICHE

- Avvertenza! Il compressore può essere utilizzato solo in locali idonei (con buona ventilazione e una temperatura ambientale compresa tra 5 °C e 40 °C).
- Verificare che il serbatoio sia completamente decompresso prima di svitare le connessioni con il serbatoio.
- È vietato praticare fori, realizzare saldature o falsare volutamente il serbatoio dell'aria compressa.
- Non eseguire alcuna azione sul compressore senza prima aver staccato la spina dalla presa di corrente.
- Non puntare getti d'acqua o getti di liquidi infiammabili sul compressore.
- Non sistemare oggetti infiammabili vicino al compressore.
- Spostare l'interruttore (2) in posizione "0" (spento) durante le pause.
- Non dirigere mai il getto dell'aria verso persone o animali.
- Non trasportare il compressore con il serbatoio in pressione.
- NB: alcuni componenti del compressore, come la testata e i tubi di alimentazione possono raggiungere temperature elevate. Non toccare queste parti per evitare ustioni.
- Trasportare il compressore sollevandolo o utilizzando i manici o i punti di presa appositamente concepiti.
- Bambini e animali devono essere tenuti lontano dalla zona di funzionamento dell'elettrotensile.
- Se si utilizza il compressore per verniciare a spruzzo:
 - a) Non lavorare in ambienti chiusi o in prossimità di fiamme libere.
 - b) Assicurarsi che l'ambiente in cui si dovrà lavorare disponga di un sistema di ventilazione dedicato.
 - c) Proteggere naso e bocca con una maschera apposita.
- Non usare il compressore quando il cavo elettrico o la spina sono danneggiati, richiedere al personale del Servizio di assistenza autorizzato di sostituirli con ricambi originali.
- Quando il compressore è posto su una superficie superiore del pavimento, dovrebbe essere bloccato per evitare che cada durante il funzionamento.
- Non inserire oggetti o le mani nelle coperture di protezione per evitare danni fisici e danni al compressore.

- Non utilizzare il compressore come corpo contundente contro persone, cose o animali, al fine di prevenire gravi danni.
- Se il compressore non è più in uso, staccare sempre la spina dalla presa di corrente.
- Accertarsi sempre che per l'aria compressa siano usati tubi flessibili per aria compressa e che questi siano specificamente designati per una pressione adeguata a quella del compressore. Non tentare di riparare il tubo se è danneggiato.



Avvertenza! Questo apparecchio deve essere collegato a terra. In caso di collegamento a terra inappropriato, l'apparecchio può causare una scossa elettrica. Accertarsi che la presa di corrente sia dotata di messa a terra. In caso di dubbi, farla controllare da un elettricista qualificato.



Avvertenza! Evitare il contatto con i terminali della spina quando si inserisce (si stacca) la spina alla (dalla) presa di corrente. Il contatto causerebbe una intensa scossa elettrica.

ISTRUZIONI DI SICUREZZA PER I LAVORI CON PISTOLE AD ARIA COMPRESSA

- Il compressore e i tubi flessibili possono scaldarsi molto durante l'uso. Il contatto con essi può provocare delle ustioni.
- I gas o vapori aspirati dalla presa d'aria del compressore non devono contenere additivi che potrebbero provocare incendi o esplosioni all'interno dell'apparecchio.
- Quando si rimuove il raccordo del tubo flessibile, tenerlo saldamente, in modo da evitare di ferirsi se il tubo dovesse essere espulso con violenza.
- Quando si lavora con la pistola ad aria compressa, indossare occhiali di protezione. Corpi estranei e particelle soffiati via possono facilmente provocare lesioni.
- Non dirigere la pistola ad aria compressa verso persone e non usarla per pulire gli indumenti indossati.

Sicurezza elettrica

Quando si utilizzano apparecchi elettrici, osservare sempre le norme di sicurezza vigenti nel proprio Paese per ridurre il rischio di incendi, scosse elettriche e lesioni personali. Leggere le istruzioni di sicurezza riportate di seguito oltre a quelle allegate al presente manuale.



Controllare sempre che la tensione di alimentazione corrisponda alla tensione sulla targhetta.

Collegamento alla rete elettrica

Controllare che la rete elettrica e la spina utilizzate siano conformi ai requisiti dell'apparecchio. Controllare la relativa targhetta di identificazione. Eventuali modifiche devono sempre essere effettuate da un elettricista qualificato.

Sostituzione di cavi o spine

Se è necessaria la **sostituzione del cavo** di alimentazione, questa deve essere eseguita dal produttore o da un suo agente al fine di evitare rischi per la sicurezza. Gettare immediatamente i cavi o le spine vecchi dopo averli sostituiti. È pericoloso inserire la spina di un cavo allentato in una presa a muro.

Utilizzo di prolunghie

Utilizzare esclusivamente un cavo di prolunga omologato adatto per la potenza nominale della macchina. La dimensione minima del conduttore è 1,5 mm². Quando si utilizza un avvolgicavo, svolgere sempre completamente la bobina di cavo.

2. INFORMAZIONI RELATIVE ALL'APPARECCHIO

Uso previsto

Il compressore è progettato per generare aria compressa per il funzionamento di utensili pneumatici. Questo apparecchio non è progettato per il funzionamento continuo.

DATI TECNICI

Modello n.°	CR504AC / CR504AC_GREY / CR504AC_WHITE
Tipo di compressore	A pistoni - senza olio - basso rumore
Trasmissione del compressore	Trasmissione diretta
Tensione	220-240 V~
Frequenza	50 Hz
Potenza assorbita	750 W
Cavalli potenza	1 HP

Modalità operativa	S3 50% *
Regime al minimo	1450 giri/min
Classe di protezione IP	IP30
Classe di protezione	Classe I
Aria aspirata	128 l/min
Mandata (aria compressa) a 7 bar	42 l/min
Aria (compressa) resa a 4 bar	65 l/min
Pressione max. in mandata	8 bar
Pressione di inserimento ca.	6 bar
Pressione di disinserimento ca.	8 bar
Capacità del serbatoio	6 litri
Lunghezza del cavo	2 m
Peso	16 kg
Livello di pressione sonora	$L_{pA} = 79,7 \text{ dB(A)}$ $K_{pA} = 3 \text{ dB(A)}$
Livello di potenza sonora	$L_{WA} = 92,7 \text{ dB(A)}$ $K_{WA} = 3 \text{ dB(A)}$

* S3 = funzionamento intermittente senza influire sul processo di avviamento. Questo significa che, in un periodo di 10 minuti, il tempo di funzionamento massimo è del 50% (ad esempio 5 minuti di funzionamento e 5 minuti di riposo), in condizioni ambientali ottimali (temperatura massima 25 °C). Il rispetto di queste linee guida e degli intervalli di manutenzione previsti consentirà il corretto funzionamento del prodotto nel tempo.

DESCRIZIONE

I numeri che compaiono nel testo si riferiscono alle figure riportate alle pagine 2-3.

1. Coperchio
2. Interruttore di accensione/spegnimento
3. Pressostato
4. Regolatore di pressione
5. Raccordo a innesto rapido (mandata)
6. Manometro (pressione di esercizio)
7. Manometro (pressione del serbatoio)
8. Valvola di sicurezza
9. Manico
10. Tubo dell'aria compressa
11. Rubinetto di scarico
12. Ingresso dell'aria in aspirazione
13. Filtro dell'aria
14. Interruttore magnetotermico

15. Serbatoio dell'aria

16. Piedi di gomma

3. ASSEMBLAGGIO



Prima dell'assemblaggio, spegnere sempre l'apparecchio e staccare la spina dalla presa di corrente.

Montaggio del filtro dell'aria (Fig. A, B)

1. Prima di usare il compressore rimuovere il coperchio di trasporto e sostituirlo con il filtro dell'aria in aspirazione (13).
2. Montare il filtro dell'aria (13) avvitandolo con una rotazione in senso orario all'ingresso dell'aria in aspirazione (12), come illustrato nella Figura B.

Installazione del compressore

- Installare il compressore in un ambiente ventilato e asciutto.
- Assicurarsi che il compressore sia posto su un fondo orizzontale e stabile.
- Posizionare il compressore su una superficie piana o con un'inclinazione massima di 10°, in una zona ben ventilata, protetta dagli agenti atmosferici e in cui non siano presenti sostanze esplosive nelle vicinanze.
- Se la superficie è liscia e inclinata, assicurarsi che il compressore non possa spostarsi durante il funzionamento.
- Per assicurare una ventilazione adeguata e un raffreddamento efficiente, è importante che il compressore si trovi ad almeno 50 cm di distanza da una parete o da qualsiasi ostacolo.
- Assicurarsi che il compressore sia trasportato nel modo corretto. Non capovolgerlo né sollevarlo con ganci o funi.

4. UTILIZZO



Prima di utilizzare il compressore per la prima volta occorre assemblarlo completamente.



L'impiego di cavi di alimentazione lunghi, prolunghie, avvolgicavo, ecc. provoca una caduta di tensione e può ostacolare l'avvio del motore. Non utilizzare cavi più lunghi di 10 m. Vonroc consiglia invece di utilizzare un tubo per l'aria più lungo.



In condizioni di temperatura inferiore a 5 °C potrebbe essere più difficoltoso avviare il motore.



Il gruppo testata/cilindro/tubo di trasmissione può raggiungere temperature elevate: prestare attenzione quando si lavora vicino a questi componenti e non toccarli per evitare di scottarsi.

Avvio (Fig. A)

1. Verificare che la tensione di rete corrisponda al valore indicato sulla targhetta delle specifiche elettriche.
2. Porre l'interruttore di accensione/spengimento (2) nella posizione "0" per spegnere il compressore.
3. Inserire la spina nella presa di corrente.
4. Porre l'interruttore di accensione/spengimento (2) nella posizione "I" per accendere il compressore.
5. Il funzionamento del compressore è completamente automatico. Il pressostato (3) arresta il compressore al raggiungimento del valore massimo e lo riavvia quando la pressione scende al di sotto del valore minimo. Il pressostato (3) è impostato dalla fabbrica. Normalmente la differenza di pressione tra il valore massimo e il valore minimo è di circa 2 bar (29 psi). Il compressore si ferma quando raggiunge 8 bar (116 psi) (ossia la pressione di funzionamento massima) e si riavvia automaticamente quando nel serbatoio la pressione scende a 6 bar (87 psi).

Collegamento del tubo flessibile dell'aria e dell'utensile pneumatico (Fig. A)

1. Ruotare il regolatore di pressione (4) in senso antiorario fino a quando la pressione sarà stata completamente scaricata.
2. Inserire il connettore del tubo flessibile dell'aria (non in dotazione) nel raccordo a innesto rapido (5) del compressore. Quando il connettore viene premuto scatta in posizione e blocca il tubo flessibile dell'aria.
3. Collegare l'utensile pneumatico (non in dotazione) che si desidera utilizzare al raccordo a innesto rapido del tubo flessibile dell'aria.
4. Azionare il regolatore di pressione (4) ruotando la manopola in senso orario, fino a quando il manometro (6) indicherà il livello di pressione necessario.

5. A questo punto l'utensile pneumatico è pronto per l'uso.

Distacco del tubo flessibile dell'aria e dell'utensile pneumatico (Fig. A)



Quando si stacca il raccordo a innesto rapido, assicurarsi di tenerlo fermo per proteggersi da possibili lesioni causate dal rimbalzo del tubo flessibile.

1. Ruotare il regolatore di pressione (4) in senso antiorario fino a quando la pressione sarà stata completamente scaricata.
2. Ridurre la pressione azionando l'utensile pneumatico (non in dotazione).
3. Tirare indietro il manicotto sul raccordo a innesto rapido del tubo flessibile dell'aria e staccare l'utensile.
4. Tirare indietro il manicotto sul raccordo a innesto rapido (5) e staccare l'utensile.

Letture della pressione (Fig. A)

Questo compressore è dotato di due manometri: (6) e (7). Sul manometro (7) si può leggere la pressione dell'aria nel serbatoio mentre sul manometro (6) si legge la pressione d'esercizio (pressione regolata). La scala di valori in nero indica la pressione in bar e quella in rosso i valori in psi.

Regolazione della pressione di esercizio (Fig. A)



Non è sempre necessario utilizzare la pressione di esercizio massima. Spesso gli utensili pneumatici richiedono una pressione inferiore. Verificare sempre la pressione di esercizio corretta per l'utensile pneumatico che si intende utilizzare.

Per quanto riguarda i compressori dotati di regolatore di pressione (4), è necessario impostare la pressione di esercizio in maniera appropriata. È possibile impostare la pressione di funzionamento ruotando la manopola sul regolatore di pressione (4) come segue:

- in senso orario per aumentare la pressione;
- in senso antiorario per ridurre la pressione.

Nota: se non si collega un utensile ad aria durante la regolazione della pressione, potrebbe verificarsi che il manometro (6) non reagisce con precisione alla caduta di pressione.

Interruttore magnetotermico (Fig. A)

Il motore è provvisto di un interruttore magnetotermico n (14). In caso di sovraccarico del compressore, l'interruttore magnetotermico (14) spegne automaticamente l'apparecchio per proteggerlo dal surriscaldamento. Se l'interruttore magnetotermico (14) scatta, spegnere il compressore utilizzando l'interruttore di accensione/spengimento (2) e attendere che si raffreddi, quindi premere l'interruttore magnetotermico (14) e riavviare il compressore.

Fine lavoro (Fig. A,C)

Non toccare il compressore finché non saranno trascorsi almeno 10 minuti da quando è stato spento.



In presenza di rischio di gelo o se non si utilizza il compressore per un lungo periodo, riporlo in maniera adeguata.

1. Assicurarsi che l'interruttore di accensione/spengimento (2) sia nella posizione "0".
2. Scollegare la spina dalla presa di corrente.
3. Ridurre la pressione nel serbatoio fino a circa 2 bar, collegando al compressore un utensile pneumatico e azionandolo.
4. Ruotare lentamente il rubinetto di scarico (11) sul lato inferiore del serbatoio aperto. L'acqua presente all'interno del serbatoio (15) fuoriuscirà.
5. Prestare attenzione quando è presente aria compressa nel serbatoio (15), perché l'acqua potrebbe uscire con una certa forza. Pressione massima raccomandata 1-2 bar.
6. Staccare l'utensile pneumatico e il tubo flessibile.
7. Pulire e riporre l'apparecchio (vedere la sezione "Manutenzione").

5. MANUTENZIONE

Prima di eseguire qualsiasi operazione di pulizia e intervento di manutenzione spegnere sempre l'elettro utensile e staccare la spina dalla presa di corrente.



Non toccare il compressore finché non saranno trascorsi almeno 10 minuti da quando è stato spento. Rischio di ustioni!



Scaricare sempre la pressione dal serbatoio prima di eseguire qualsiasi intervento di pulizia e manutenzione.

Pulire regolarmente il corpo dell'apparecchio con un panno morbido, preferibilmente dopo ogni uso. Assicurarsi che le prese d'aria siano libere da polvere e sporcizia. Rimuovere lo sporco particolarmente ostinato con un panno morbido inumidito con acqua e sapone. Non utilizzare solventi come benzina, alcol, ammoniacca, ecc. Le sostanze chimiche di questo tipo danneggiano i componenti sintetici.

Scarico del serbatoio (Fig. C)

Prima dell'uso, assicurarsi ogni volta che il serbatoio a pressione non presenti segni di ruggine e danni. Non utilizzare il compressore se il recipiente del serbatoio pressurizzato è danneggiato o arrugginito.

La compressione dell'aria produce acqua nel serbatoio. Scaricare regolarmente l'acqua dal serbatoio per evitarne la corrosione. La frequenza di scarico dipende dall'umidità, ma si consiglia di farlo dopo ogni utilizzo.

1. Ridurre la pressione nel serbatoio fino a circa 2 bar collegandovi un utensile ad aria e azionandolo.
2. Ruotare lentamente il rubinetto di scarico (11) sul lato inferiore del serbatoio aperto. L'acqua presente all'interno fuoriuscirà dal serbatoio.
3. Prestare attenzione quando è presente aria compressa nel serbatoio, perché l'acqua può uscire con una certa forza. Pressione massima raccomandata 1-2 bar.

Montaggio del filtro dell'aria in aspirazione (Fig. D)

Si consiglia di smontare il filtro dell'aria in aspirazione ogni 50 ore di funzionamento e di pulire l'elemento filtrante con aria compressa.



Si consiglia di sostituire l'elemento filtrante almeno una volta l'anno se il compressore viene usato in un ambiente pulito e di farlo più spesso se l'ambiente in cui si trova il compressore è polveroso. Se il filtro dell'aria in aspirazione è intasato, le prestazioni del compressore si riducono drasticamente.

1. Aprire le due metà dell'alloggiamento dell'elemento filtrante del filtro dell'aria. Utilizzando aria compressa a bassa pressione (a circa 3 bar), soffiare via lo sporco da tutte le parti del filtro.
2. Per assemblare il filtro procedere in ordine inverso.

CONSERVAZIONE E PROTEZIONE DAL GELO

Se l'acqua non viene scaricata completamente dal compressore e dagli accessori, l'eventuale esposizione al gelo può causare danni gravissimi. Svuotare completamente il compressore e gli accessori dall'acqua e proteggerli dal gelo. Conservare questo apparecchio in un ambiente asciutto e ben ventilato, in cui la temperatura non scenda al di sotto di +5 °C. Quando non viene usato, conservare l'apparecchio in un luogo sicuro, fuori dalla portata dei bambini.

Malfunzionamenti

Se l'apparecchio non dovesse funzionare correttamente, di seguito è riportata una serie di possibili cause e relative soluzioni adeguate:

Perdita d'aria

- Può essere causata dalla scarsa tenuta di un raccordo.
- Controllare tutti i raccordi, bagnandoli con una soluzione di acqua e sapone (non usare mai la soluzione vicino ai collegamenti elettrici).
- Quando il serbatoio è vuoto e viene riempito. L'operatore potrebbe sentire un sibilo in prossimità del pressostato. Questo sibilo è normale e si interrompe prima che il compressore abbia raggiunto una pressione di 1,5 bar.
- Controllare se il rubinetto di scarico (11) è chiuso bene.

Il compressore non si avvia

Se è difficoltoso avviare il compressore, controllare:

- se la tensione della rete corrisponde a quella indicata sulla targhetta delle specifiche elettriche;
- se vengono utilizzate prolunghe con un conduttore difettoso o di lunghezza non adeguata;
- se l'ambiente operativo è troppo freddo (temperatura inferiore a 5 °C);
- se è disponibile l'alimentazione di rete (spina collegata correttamente, fusibili magnetotermici integri).

Il compressore non si spegne

Se il compressore non si spegne quando è stata raggiunta la pressione massima, la valvola di sicurezza del serbatoio si attiva. Rivolgersi al Servizio di assistenza autorizzato più vicino per farlo riparare.

RISPETTO AMBIENTALE



Le apparecchiature elettriche o elettroniche difettose e/o scartate devono essere raccolte presso gli opportuni siti di riciclaggio.

Solo per i Paesi dell'UE

Non smaltire gli elettrodomestici insieme ai rifiuti domestici. Secondo la Direttiva europea 2012/19/EU sui rifiuti delle apparecchiature elettriche ed elettroniche e relativa implementazione nelle normative locali, gli elettrodomestici ormai inutilizzabili devono essere raccolti separatamente e smaltiti in modo ecologico.

DEFINIZIONI DELLA GARANZIA

I prodotti VONROC sono sviluppati secondo i più elevati standard di qualità e viene garantita l'assenza di difetti nei materiali e nella manodopera per il periodo contrattuale a partire dalla data di acquisto originale. Qualora il prodotto dovesse subire un guasto qualsiasi durante questo periodo a causa di difetti nei materiali e/o nella manodopera, si prega di contattare direttamente il VONROC.

Le seguenti circostanze sono escluse da questa garanzia:

- Riparazioni e/o modifiche alla macchina sono state eseguite o tentate da centri di assistenza non autorizzati.
- Normale usura.
- L'utensile è stato abusato, utilizzato o manutenu- to in modo improprio.
- Sono state utilizzate parti di ricambio non originali

Ciò costituisce l'unica garanzia espressa o implicita fornita dall'azienda. Non esistono altre garanzie espresse o implicite che si estendono oltre il presente documento, ivi comprese le garanzie implicite di commerciabilità e idoneità per uno scopo particolare. In nessun caso VONROC sarà responsabile di eventuali danni incidentali o consequenziali. I rimedi dei rivenditori saranno limitati alla riparazione o sostituzione di unità o parti non conformi.

Il prodotto e il manuale per l'utente sono soggetti a modifiche. I dati tecnici possono essere modificati senza ulteriore notifica.

1. SÄKERHETSANVISNINGAR

Läs de medföljande säkerhetsvarningarna, de kompletterande säkerhetsvarningarna och anvisningarna. Underlåtenhet att följa säkerhetsvarningarna och anvisningarna kan orsaka elstöt, brand och/eller allvarlig skada. Spara säkerhetsvarningarna och anvisningarna som framtida referensmaterial.

Följande symboler används i användarhandboken eller på produkten:



Läs användarhandboken.



Anger risk för personskada, dödsfall eller skada på verktyget om anvisningarna i denna handbok inte följs.



Utsätt inte den för regn.



Skydda apparaten mot frost.



Förbud: Öppna inte kranen innan luftslangen har anslutits.



Risk för elstöt.



Risk för brännskador orsakade av heta ytor.



Varning: kompressorn kan starta automatiskt vid ett strömavbrott och efterföljande återställning.



Använd hörselskydd.



Garanterad ljudeffektnivå LWA = 78 dB(A)



Kassera inte produkten i olämpliga behållare.



Produkten uppfyller gällande säkerhetsnormer i EU-direktiven.

ALLMÄNNA SÄKERHETSFRSKRIFTER



Varning! Läs alla säkerhetsvarningar och alla anvisningar. Om inte alla instruktioner som anges nedan efterföljs kan detta leda till el-stötar, eldsvåda och/eller allvarliga skada.

Spara dessa instruktioner.

Termen "elektriskt redskap" i varningarna som anges nedan hänvisar till elektriska verktyg (med sladd, anslutet till el-nätet) eller batteridrivna (sladdlösa) elektriska verktyg.

1) Arbetsutrymme

- Se till att arbetsutrymmet är städat och väl upplyst.** Stökiga och mörka utrymmen ger anledning till olyckor.
- Använd inte elektriska verktyg i explosiv luft, såsom i närheten av lättantändliga vätskor, gaser eller damm.** Elektriska verktyg åstadkommer gnistor som kan sätta eld på damm eller gas.
- Håll barn och obehöriga på avstånd när du använder ett elektriskt verktyg.** Om du blir distraherad kan du tappa kontrollen över verktyget.

2) El-säkerhet

- Stickkontakten till elektriska verktyg måste passa el-uttaget. Ändra aldrig på något sätt på stickkontakten. Använd inte adapterkontakter till jordade elektriska verktyg.** Oförändrade stickkontakter och passande uttag minskar risken för el-stötar.
- Undvik kroppskontakt med jordade ytor såsom rör, element, spisar och kylskåp.** Risken för el-stötar är större om din kropp är jordad.
- Låt inte elektriska verktyg utsättas för regn eller våta förhållanden.** Om det kommer in vatten i ett elektriskt verktyg ökar risken för el-stötar.
- Skada inte kabeln. Använd aldrig kabeln för att bära eller dra det elektriska verktyget eller för att dra ut stickkontakten. Håll sladden borta från höga temperaturer, olja, vassa kanter eller rörliga delar.** Skadade eller hoptrasslade kablar ökar risken för el-stötar.
- När du använder ett elektriskt verktyg utomhus måste förlängningskabeln vara lämplig för utomhusbruk.** Om man använder en förlängningskabel för utomhusbruk minskar risken för el-stötar.
- Använd jordfelskydd (RCD) om arbete med ett elverktyg i fuktig miljö är oundvikligt.** Användning av RCD minskar risken för elstötar.

3) Personlig säkerhet

- Var uppmärksam, titta på det du håller på med och använd sunt förnuft när du arbetar med ett elektriskt verktyg. Använd inte elektriska verktyg när du är trött eller står under inflytande av droger, alkohol eller mediciner. Ett ögonblick**

ouppmärksamhet vid användandet av elektriska verktyg kan leda till allvarliga personskador.

- Använd personlig skyddsutrustning. Bär alltid skyddsglasögon.** Säkerhetsutrustning såsom skyddsmasker, skor med anti-halksula, hjälm eller hörselskydd som används vid rätt omständigheter kommer att minska personskador.
- Förhindra oavsiktlig igångsättning. Se till att strömbrytaren är avslagen innan du sätter stickkontakten i eluttaget.** Om du bär elverktyg med fingret på brytaren eller strömsätter elverktyg vars brytare är aktiverad kan du råka ut för en olycka.
- Ta bort skiftnycklar och skruvnycklar innan ett elektriskt verktyg slås på.** En skift- eller skruvnyckel som lämnas kvar fastsatt vid det elektriska verktygets roterande delar kan leda till personskada.
- Sträck dig inte för långt. Se till att du alltid står stadigt och i balans.** På så sätt har du bättre kontroll över det elektriska verktyget i oväntade situationer.
- Klä dig rätt. Bär inte löst sittande kläder eller smycken. Håll håret, kläder och handskar borta från rörliga delar.** Löst sittande kläder, smycken eller långt hår kan fastna i de rörliga delarna.
- Om apparater för uppsugning och uppsamling av damm finns tillgängliga, se till att de ansluts och används korrekt.** Om sådana apparater används kan dammrelaterade faror minskas.
- Låt inte erfarenheten som uppnås vid frekvent användning av verktyg låta dig bli för självsäker och ignorera verktygsäkerhetsprinciperna.** En oförsiktig handling kan orsaka allvarliga skador under bråkdelen av en sekund.

4) Underhåll av elektriska verktyg

- Överbelasta inte ett elektriskt verktyg. Använd rätt sorts verktyg till det arbete du vill utföra.** Rätt sorts elektriskt verktyg gör arbetet bättre och säkrare i den hastighet det var designat för.
- Använd inte verktyget om strömbrytaren är trasig.** Om ett elektriskt verktyg inte kan kontrolleras med hjälp av en strömbrytare är det farligt och måste lagas.
- Koppla loss stickkontakten från verktyget innan du utför några justeringar, byter tillbehör eller förvarar det.** Med dessa preventiva säkerhetsåtgärder minskar risken för att det elektriska verktyget går på av misstag.
- Förvara elektriska verktyg som inte är i bruk utom räckhåll för barn och låt inte personer**

som inte känner till verktyget eller dessa instruktioner använda det. Elektriska verktyg är farliga i händerna på oerfarna användare.

- e) **Underhåll elektriska verktyg. Kontrollera att alla rörliga delar är i rät linje och fastsatta, att inga delar är trasiga och att de är korrekt monterade. Kontrollera även annat som kan påverka verktygets funktion. Om det elektriska verktyget är trasigt måste det repareras innan det tas i bruk.** Många olyckor förorsakas av dåligt underhållna elektriska verktyg.
- f) **Håll alltid sågande och skärande verktyg vassa och rena.** Sågande och skärande verktyg med vassa eggar/skär fastnar inte så lätt och är enklare att hålla kontroll över.
- g) **Använd det elektriska verktyget, dess tillbehör, borrande eller skärande delar etc. enligt dessa instruktioner och på det sätt som det är avsett för. Ta med förutsättningarna och det arbete som ska utföras i beräkningarna.** Att använda ett elektriskt verktyg för andra arbeten än det är avsett för kan resultera i farliga situationer.
- h) **Se till att handtagen är torra, rena och fria från olja och fett.** Hala handtag och greppytor tillåter inte säker hantering och kontroll av verktyget i oväntade situationer.
- 5) Service**
- a) **Låt ditt elverktyg servas av en kvalificerad reparatör och enbart med originalreservdelar.** Detta säkerställer att elverktygets säkerhet upprätthålls.

SÄRSKILDA SÄKERHETSANVISNINGAR

- Varning! Kompressorn får bara användas i lämpliga utrymmen (med god ventilation och en omgivningstemperatur från 5 °C till +40 °C).
- Kontrollera att tanken är helt dekomprimerad innan anslutningar till tanken skruvas loss.
- Det är förbjudet att göra hål i eller svetsa eller avsiktligt att modifiera tryckluftstanken.
- Utför inga åtgärder på kompressorn utan att först ha lossat kontakten från uttaget.
- Rikta inte vattenstrålar eller strålar med brandfarliga vätskor mot kompressorn.
- Placera inga lättantändliga föremål i närheten av kompressorn.
- Vrid omkopplaren (2) till läget "0" (AV) under uppehållstid.
- Rikta aldrig luftstrålen mot människor eller djur.
- Transportera inte kompressorn med tanken trycksatt.

- Observera: vissa delar av kompressorn, t.ex. huvudet och genomströmningsrören, kan nå höga temperaturer. Undvik att vidröra dessa delar för att eliminera risken för brännskador.
- Transportera kompressorn genom att lyfta den eller använda de speciella greppen eller handtagen.
- Barn och djur ska hållas långt borta från området där maskinen arbetar.
- Om du använder kompressorn för att spruta färg:
 - a) Arbeta inte i slutna utrymmen eller i närheten av öppna lågor.
 - b) Se till att miljön där du arbetar har särskild ventilation.
 - c) Skydda din mun och näsa med lämplig mask.
- Använd inte kompressorn när den elektriska kabeln eller kontakten är skadad, och be en auktoriserad serviceverkstad att byta ut den mot en originaldel.
- När kompressorn placeras på en yta högre än golvet, bör den säkras så att den inte faller ner under drift.
- Placera inte föremål eller händer i skyddskåporna för att undvika fysiska skador och skador på kompressorn.
- Använd inte kompressorn som ett trubbigt instrument mot personer, föremål eller djur för att förhindra allvarliga skador.
- Om kompressorn inte längre används, dra alltid ur kontakten ur vägguttaget.
- Se alltid till att tryckluftsslangar används för tryckluft och som kännetecknas av ett maximalt tryck anpassat till kompressorns. Försök inte reparera slangen om den är skadad.

SÄKERHETSINSTRUKTIONER FÖR ARBETE MED LUFTRYCKSPISTOLER

- Kompressorn och slangar kan bli väldigt heta under drift. Att vidröra dem kan resultera i brännskador.
- De gaser eller ångor som sugts in av kompressorintaget måste hållas fria från tillsatser som kan leda till bränder eller explosioner inuti kompressorn.
- När slangkopplingen lossas, håll alltid i slangkopplingen ordentligt för att undvika skador som orsakas av att slangen flyger av.
- Skyddsglasögon ska användas vid arbete med högtryckspistol. Främmande objekt och utblåsta partiklar kan lätt orsaka skador.
- Rikta inte högtryckspistol mot människor eller för rengöring av de kläder du bär.

Elsäkerhet

Följ alltid säkerhetsföreskrifterna som gäller i ditt land när du arbetar med elverktyg för att minska risken för brand, elstöt och personskada. Läs följande säkerhetsanvisningar och även de medföljande säkerhetsanvisningarna.



Kontrollera alltid så att spänningen på nätet motsvarar den spänning som finns angiven på märkplåten.

Anslutning till strömförsörjning

Kontrollera att strömförsörjningen och kontakten används i enlighet med din maskin. Ta en titt på typskylten på maskinen. Alla ändringar ska utföras av en behörig elektriker.



Varning! Denna maskin måste jordas. Om maskinen inte är ordentligt jordad kan den orsaka elstötar. Se till att eluttaget är jordat. Vid tveksamheter, kontrollera det med hjälp av en behörig elektriker.



Varning! Undvik kontakt med terminalerna på kontakten när du sätter i (eller tar bort) kontakten i (från) eluttaget. Beröring kommer att orsaka allvarliga elektriska stötar.

Byt kablar eller kontakter

Om byte av **matningssladd** är nödvändigt måste detta göras av tillverkaren eller dennes ombud för att undvika en säkerhetsrisk. Kasta omedelbart bort gamla kablar eller kontakter när de har ersatts av nya. Det är farligt att sätta i kontakten på en lös kabel till vägguttaget.

Använda förlängningskabel

Använd alltid endast godkända förlängningssladdar som är lämpliga för maskinens märkeffekt. Minsta ledarstorlek är 1,5 mm². Om du använder en sladdvinda, vira alltid av sladden fullständigt.

2. MASKININFORMATION**Avsedd användning**

Kompressorn är konstruerad för att generera tryckluft för tryckluftsdrivna verktyg. Kompressorn är inte designad för kontinuerlig drift.

TEKNISKA SPECIFIKATIONER

Modellnr.	CR504AC / CR504AC_GREY / CR504AC_WHITE
Kompressortyp	Kolv - oljefri - låg ljudnivå
Kompressordrivning	Direkt drivning
Spänning	220-240V~
Frekvens	50Hz
Ingångseffekt	750 W
Hästkrafter	1 hk
Driftläge	S3 50 % *
Tomgångshastighet	1450/min
IP-klass	IP30
Skyddsklass	Klass I
Luftintag	128 l/min
Effekt (tryckluft) vid 7 bar	42 l/min
Effekt (tryckluft) vid 4 bar	65 l/min
Max. utgående tryck	8 bar
Inkopplingstryck ca.	6 bar
Avstängningstryck ca.	8 bar
Tankvolym	6 l
Kabellängd	2 m
Vikt	16 kg
Ljudtrycknivå	L _{PA} = 79,7 dB(A) K _{PA} = 3 dB(A)
Ljudeffektnivå	L _{WA} = 92,7 dB(A) K _{WA} = 3 dB(A)

* S3 = intermittent drift utan påverkan av uppstarten. Detta innebär att under en period av 10 minuter är den maximala drifttiden 50 % (t.ex. 5 minuters arbete och 5 minuters vila), under optimala miljöförhållanden (max. temp 25 °C). Genom att respektera dessa riktlinjer och de föreskrivna underhållsintervallerna kommer produkten att fungera korrekt över tid.

BESKRIVNING

Siffrorna i texten hänvisar till diagrammen på sidorna 2-3.

1. Skydd
2. Brytare
3. Tryckvakt
4. Tryckregulator

5. Snabbkoppling (uttag)
6. Manometer (driftstryck)
7. Manometer (tanktryck)
8. Säkerhetsventil
9. Handtag
10. Tryckrör
11. Avtappningskran
12. Luftinlopp
13. Luftfilter
14. Överbelastningsbrytare
15. Tank
16. Gummifötter

3. MONTERING



Stäng alltid av maskinen och ta ut strömkontakten från strömkällan innan montering.

Montering av luftfiltret (fig. A, B)

1. Ta bort transportlocket och byt ut det mot det medföljande luftfiltret (13) innan du använder kompressorn.
2. Montera luftfiltret (13) genom att skruva in luftfiltret (13) medurs i luftintaget (12) som visas på figur B.

Installering av kompressor

- Kompressorn ska installeras i ventilerad och torr miljö.
- Se till att kompressorn är placerad på plan och fast mark.
- Placera kompressorn på en plan yta eller med en maximal lutning av 10°, i ett välventilerat utrymme, skyddat mot atmosfäriska faktorer och inte i explosiva miljöer.
- Om ytan är sluttande och slät, se till att kompressorn inte rör sig när den är i drift.
- För korrekt ventilation och effektiv kylning är det viktigt att kompressorn är placerad åtminstone 50 cm från väggar eller hinder.
- Se till att kompressorn transporteras på rätt sätt, vänd den inte upp och ner och lyft den inte med krokar eller rep.

4. DRIFT



Du måste sätta ihop kompressorn helt innan du använder den för första gången.



Långa matningskablar, förlängningar, kabelrullar etc. orsakar spänningsfall och kan

hindra motorstart. Använd inte kablar längre än 10 m. Vonroc rekommenderar att istället använda en långre luftslang.



Det kan vara svårare att starta motorn under förhållanden med temperaturer under 5 °C.



Huvud/cylinder/transmissionsröraggregatet kan nå höga temperaturer, så var försiktig när du arbetar nära dessa delar och rör inte vid dem för att undvika brännskador.

Starta (fig. A)

1. Kontrollera om nätspänningen motsvarar den som anges på den elektriska typskylten.
2. Flytta strömbrytaren (2) till läge "0" för att stänga av kompressorn.
3. Sätt i kontakten i uttaget.
4. Flytta strömbrytaren (2) till läget "I" för att starta kompressorn.
5. Kompressorns funktion är helautomatisk. Tryckvakten (3) stoppar kompressorn när maxvärdet har uppnåtts och startar den när trycket faller under minimivärdet. Tryckvakten (3) är inställd på fabriken. Normalt är tryckskillnaden ca. 2 bar/29 psi mellan max- och minimivärdet. Kompressorn stannar när den når 8 bar (116 psi) (detta är det maximala drifttrycket) och startar automatiskt när trycket i tanken har sjunkit till 6 bar (87 psi).

Anslutning av luftslangen och verktyget (fig. A)

1. Vrid tryckregulatorn (4) moturs tills trycket är helt släppt.
2. Sätt i kontakten på luftslangen (ingår ej) i snabbkopplingen (5) på kompressorn. Kontakten klickar på plats för att säkra luftslangen.
3. Anslut luftverktyget (ingår ej) du vill använda till luftslangens snabbkoppling.
4. Vrid tryckregulatorn (4) medurs tills tryckmätaren (6) visar den trycknivå du behöver.
5. Ditt luftverktyg är nu klart att användas.

Bortkoppling av luftslangen och verktyget (fig. A)



När snabbkopplingen frigörs ska slangen hållas för att skydda dig från skador.

1. Vrid tryckregulatorn (4) moturs tills trycket är helt släppt.
2. Minska trycket genom att aktivera luftverktyget (ingår ej).
3. Dra tillbaka hylsan på luftslangens snabbkop-

ling och ta bort ditt luftverktyg.

4. Dra tillbaka hylsan på snabbkopplingen (5) och ta bort slangen.

Avläsning av trycket (fig. A)

Kompressorn har två tryckregulatorer (6, 7).

Tanktrycket kan avläsas på tryckregulatorn (7) och driftrycket (reglerat tryck) kan avläsas på tryckregulatorn (6). Den svarta skalan anger trycket i bar och den röda skalan anger trycket i psi.

Justera driftrycket (fig. A)



Det är inte alltid nödvändigt att använda det maximala driftrycket. Luftverktygen kräver ofta mindre tryck. Kontrollera alltid rätt arbetstryck för det verktyg du tänker använda.

När det gäller kompressorer som är försedda med tryckregulator (4) är det nödvändigt att ställa in driftrycket korrekt. Det är möjligt att ställa in driftrycket genom att använda vridknappen på tryckregulatorn (4):

- Genom att vrida medurs ökar driftrycket.
- Genom att vrida moturs minskas driftrycket.

Obs: när du inte ansluter ett luftverktyg medan du justerar trycket, kan det hända att tryckmätaren (6) inte reagerar exakt på tryckfallet.

Överbelastningsbrytare (fig. A)

Motorn är utrustad med en överbelastningsbrytare (14). Om kompressorn överbelastas stänger överbelastningsbrytaren (14) av utrustningen automatiskt för att skydda kompressorn från överhettning. Om överbelastningsbrytaren (14) utlöses, stäng av kompressorn med strömbrytaren (2) och vänta tills kompressorn svalnat. Tryck sedan på överbelastningsbrytaren (14) och starta om kompressorn.

Avsluta (fig. A, C)



Rör inte kompressorn om den inte har varit avstängd i minst 10 minuter.



Om det finns risk för frost eller om du inte använder din kompressor på länge, förvara den ordentligt.

1. Se till att strömbrytaren (2) är i läge "0".
2. Ta ut nätkontakten från elnätet.
3. Minska trycket i tanken till ca 2 bar genom att ansluta och aktivera ett luftverktyg.

4. Öppna sedan långsamt avtappningskran (11) på tankens nedre sida. Vattnet i tanken (15) kommer nu att läcka ut ur tanken (15).
5. Var försiktig när det finns tryckluft i tanken (15) eftersom vattnet kan komma ut med viss kraft. Rekommenderat ryck max. 1-2 bar.
6. Ta bort luftverktyget och slangen.
7. Rengör och förvara enheten (se "Underhåll").

5. UNDERHÅLL



Stäng alltid av maskinen och ta ut strömkontakten från strömkällan innan rengöring och underhåll.



Rör inte kompressorn om den inte har varit avstängd i minst 10 minuter. Risk för brännskador!



Släpp alltid trycket i tanken innan du utför något rengörings- och underhållsarbete.

Rengör maskinens hus regelbundet med en mjuk trasa, helst efter varje gång du använder maskinen. Se till att ventilationsöppningarna är fria från damm och smuts. Ta bort mycket ihållande smuts med en mjuk trasa fuktad med tvållösning. Använd inte lösningsmedel som bensen, alkohol, ammoniak osv. Sådana kemikalier skadar de syntetiska komponenterna.

Tömning av tanken (fig. C)



Kontrollera trycktanken för tecken på rost och skador innan varje användning. Använd inte kompressorn med ett skadat eller rostigt tryckkärl.

Komprimering av luft kommer att orsaka vatten i tanken. Töm regelbundet ut vattnet från tanken för att förhindra tankkorrosion. Det beror på luftfuktigheten, men helst efter varje användning.

1. Minska trycket i tanken till ca 2 bar genom att ansluta och aktivera ett luftverktyg.
2. Öppna sedan långsamt avtappningskran (11) på tankens nedre sida. Vattnet i tanken kommer nu att läcka ut ur tanken.
3. Var försiktig när det finns tryckluft i tanken eftersom vattnet kan komma ut med viss kraft. Rekommenderat ryck max. 1-2 bar.

Rengöring av luftfiltret (fig. D)

Det rekommenderas att plocka isär sugfiltret var 50:e drifttimme och att rengöra filterelementet genom att blåsa det med tryckluft.



Det rekommenderas att filterelementet byts ut minst en gång om året om kompressorn arbetar i en ren miljö; oftare om miljön där kompressorn är placerad är dammig. Ett igensatt insugsfilter kommer att minska kompressorns prestanda dramatiskt.

1. Öppna halvorna på luftfilterhuset. Använd tryckluft vid lågt tryck (ca 3 bar) för att blåsa ut alla delar av filtret.
2. Montera filtret i omvänd ordning.

FÖRVARING OCH FROSTSKYDD

Kompressor och tillbehör som inte är helt tömda kan förstöras av frost. Töm kompressorn och tillbehör helt och skydda dem mot frost. Förvara apparaten i väl ventilerade torra lokaler med en temperatur som inte understiger + 5 °C. När det inte används bör redskapet förvaras utom räckhåll för barn på en torr och säker plats med god ventilation.

Fel

Om maskinen inte fungerar korrekt ges ett antal möjliga orsaker och lämpliga lösningar nedan:

Luftförlust

- Kan orsakas av dålig tätning av en anslutning.
- Kontrollera alla luftanslutningar genom att blöta dem med en tvålvattenlösning (använd aldrig lösningen i närheten av elektriska anslutningar).
- När tanken är tom och håller på att fyllas. Användaren kan höra ett surrande ljud vid tryckbrytaren. Detta är normalt och kommer att stoppa innan kompressorn når ett tryck på 1,5 bar.
- Kontrollera att avtappningskran (11) är ordentligt stängd.

Kompressorn startar inte

Om kompressorn är svår att starta, kontrollera:

- Om nätspänningen överensstämmer med den på typskylten.
- Om elektriska förlängningskablar används med en felaktig kärna eller längd.
- Om driftsmiljön är för kall (under 5° C).

- Om det finns elförsörjning (kontakten är korrekt ansluten, magneto-termiska säkringar inte trasiga).

Kompressorn stängs inte av

Om kompressorn inte stängs av när maxtrycket har uppnåtts, aktiveras tankens säkerhetsventil. Det är nödvändigt att kontakta närmaste auktoriserade supporttjänst för reparation.

MILJÖ

Felaktig och/eller kasserad elektrisk eller elektronisk utrustning måste lämnas in på lämpliga återvinningsstationer.

Endast för EU-länder

Släng inte elverktyg i hushållsavfallet. Enligt det europeiska WEEE-direktivet 2012/19/EU för avfall från elektrisk och elektronisk utrustning och dess tillämpning nationellt ska elverktyg som inte längre kan användas samlas in separat och kasseras på ett miljövänligt sätt.

GARANTI

VONROC produkter är utvecklade enligt högsta kvalitetsstandard och garanteras vara utan defekter både vad gäller material och tillverkning under den period som stipuleras enligt lag med början från ursprungligt inköpsdatum. Om något fel uppstår på produkten under denna period på grund av material- och/eller tillverkningsfel skall VONROC kontaktas direkt.

Följande omständigheter exkluderas från denna garanti:

- Reparationer eller ändringar som gjorts eller försökt göras på maskinen av ett icke auktoriserat servicecenter.
- Normalt slitage.
- Verkyget har missbrukats, använts fel eller underhållits på felaktigt sätt.
- Icke-originalreservdelar har använts.

Detta utgör hela garantin från företaget, antingen uttryckt eller underförstått. Det finns inga andra garantier, uttalade eller underförstådda som gäller utöver ordalydelsen härav, häri, inklusive de uttalade garantierna för säljbarhet och lämplighet för ett särskilt syfte. Under inga omständigheter

skall VONROC hållas ansvarig för några oförutsedda eller indirekta skador. Återförsäljarens åtgärder skall begränsas till reparation eller byte av felaktiga enheter eller delar.

Med förbehåll för ändringar i produkten och bruksanvisningen. Specifikationer kan ändras utan förvarning.

1. SIKKERHEDSANVISNINGER

Læs de vedlagte sikkerhedsadvarsler, de yderligere sikkerhedsadvarsler og vejledningen. Hvis sikkerhedsadvarselene og vejledningen ikke følges, kan det resultere i elektrisk stød, brand og/eller alvorlige personskader. Gem sikkerhedsadvarselene og vejledningen til fremtidig brug.

Følgende symboler anvendes i brugervejledningen eller på produktet:



Læs brugervejledningen.



Angiver risiko for personskade, dødsfald eller beskadigelse af værktøjet i tilfælde af manglende overholdelse af anvisningerne i denne vejledning.



Udsæt ikke for regn.



Beskyt apparatet mod frost.



Forbud: Åbn ikke for hanen, før luftslangen er blevet forbundet.



Risiko for elektrisk stød.



Risiko for forbrændinger forårsaget af varme overflader.



Forsigtig: Kompressoren kan starte automatisk i tilfælde af en strømsvigt og efterfølgende nulstilling.



Bær høreværn.



Det garanterede lydeffektniveau
LWA = 78 dB(A).



Bortskaf ikke produktet i uegnede containere.



Produktet er i overensstemmelse med de gældende sikkerhedsstandarder i EU-direktiverne.

GENERELLE SIKKERHEDSFORSKRIFTER

Advarsel! Læs alle sikkerhedsadvarsler og alle anvisninger. Hvis alle nedenstående instruktioner ikke følges, kan det resultere i elektrisk stød, brand og/eller alvorlig personskade.

Gem disse instruktioner.

Udtrykket "elektrisk maskine" i alle advarslerne nedenfor henviser til elektriske maskiner/værktøj/redskaber, der via en ledning tilkobles elnettet eller strømforsynes via batteri (accu).

1) Arbejdsområde

- a) **Arbejdsområdet skal være rent og tilstrækkeligt belyst.** Rodede og mørke arbejdsområder giver større risiko for ulykker.
- b) **Brug ikke elektriske maskiner i eksplosive omgivelser, f.eks. i nærheden af brandfarlige væsker, gasser eller støv.** Elektriske maskiner frembringer gnister, som kan antænde støv eller dampe.
- c) **Hold børn og omkringstående på afstand, når der bruges elektriske maskiner.** Hvis man distraheres, kan man miste kontrollen over den elektriske maskine.

2) Elektrisk sikkerhed

- a) **Stik til elektriske maskiner skal passe til stikkontakten. Der må ikke foretages ændringer af stikket. Brug ikke snydepropper til jordede (jordforbundne) elektriske maskiner.** Originale stik og tilsvarende kontakter mindsker risikoen for elektrisk stød.
- b) **Undgå kropskontakt med jordede eller jordforbundne overflader som f.eks. rør, radiatorer, komfurer og køleskabe.** Der er øget risiko for elektrisk stød, hvis kroppen er jordet eller jordforbundet.
- c) **Elektriske maskiner må ikke udsættes for regn eller våde omgivelser.** Hvis der kommer vand i den elektriske maskine, øges risikoen for elektrisk stød.
- d) **Brug ikke ledningen forkert. Brug ikke ledningen til at bære eller trække maskinen og heller ikke for at tage ledningen ud af stikkontakten. Hold ledningen væk fra stærk varme, olie, skarpe kanter og bevægelige dele.** Beskadigede eller filtrede ledninger øger risikoen for elektrisk stød.
- e) **Når en elektrisk maskine bruges udendørs, skal man bruge en forlængerledning, der er beregnet til udendørs brug.** Hvis der bruges en

forlængerledning, der er beregnet til udendørs brug, mindskes risikoen for elektrisk stød.

- f) **Hvis det ikke kan undgås at bruge et maskinværktøj i et fugtigt miljø, bør du anvende en forsyning, der er beskyttet af en fejlstrømsafbryder (RCD).** Brugen af en RCD reducerer risikoen for elektrisk stød.
- 3) Personlig sikkerhed**
- a) **Vær agtpågivende, hold øjnene rette mod det, du laver, og brug almindelig sund fornuft, når du bruger en elektrisk maskine. Brug ikke en elektrisk maskine, hvis du er træt eller er under påvirkning af narkotika, alkohol eller medicin.** Et øjeblik uopmærksomhed under arbejdet med en elektrisk maskine kan resultere i alvorlig personskade.
 - b) **Brug personligt sikkerhedsudstyr. Brug altid beskyttelsesbriller.** Sikkerhedsudstyr som støvmaske, skridsikre sko, hjelm eller høreværn, brugt når det er nødvendigt, mindsker risikoen for personskade.
 - c) **Undgå utilsigtet start. Sørg for, at der er slukket på afbryderen, før stikket sættes i stikkontakten.** Hvis maskinværktøj bæres med fingeren på kontakten, eller når maskinværktøj strømføres med tændt kontakt, kan der nemt ske ulykker.
 - d) **Fjern justeringsnøgler og tænger, før der tændes for den elektriske maskine.** En tang eller nøgle, der sidder på en roterende del af den elektriske maskine, kan resultere i personskade.
 - e) **Ræk ikke for langt ud. Stå sikkert på fødderne og vær altid i god balance.** Det giver bedre kontrol over maskinen i uventede situationer.
 - f) **Tag passende tøj på. Bær ikke løstsiddende tøj eller smykker. Hold hår, tøj og handsker væk fra bevægelige dele.** Løstsiddende tøj, smykker eller langt hår kan blive grebet af bevægelige dele.
 - g) **Hvis der forefindes tilslutning til støvudsugning og -opsamling, skal man sørge for, at udstyret er tilsluttet og bruges.** Brug disse muligheder for at mindske risikoen for støvrelaterede risici.
 - h) **Lad ikke kendskab opnået gennem hyppig brug af værktøj lade dig blive tilbagelænet og ignorere værktøjssikkerhedsprincipper.** En skødesløs handling kan forårsage alvorlig personskade inden for en brøkdel af et sekund.
- 4) Brug og behandling af elektriske maskiner**
- a) **Brug ikke magt på den elektriske maskine. Brug kun den elektriske maskine til det, den er beregnet til.** Den rette elektriske maskine gør

arbejdet bedre og mere sikkert ved den effekt, der er foreskrevet.

- b) **Brug ikke den elektriske maskine, hvis afbryderen ikke kan tænde og slukke.** En elektrisk maskine, der ikke kan tændes og slukkes på afbryderen, er farlig og skal repareres.
 - c) **Tag stikket ud af stikkontakten før justering, udskiftning af tilbehør, og før den elektriske maskine gemmes væk.** Sådanne forebyggende sikkerhedsforanstaltninger mindsker risikoen for, at den elektriske maskine starter ved et uheld.
 - d) **Elektriske maskiner, der ikke bruges, skal opbevares utilgængeligt for børn, og personer, der ikke har kendskab til den elektriske maskine eller disse instruktioner, må ikke bruge den elektriske maskine.** Elektriske maskiner er farlige i hænderne på uøvede personer.
 - e) **Elektriske maskiner skal vedligeholdes. Check for forkert justering og fastsiddende bevægelige dele, defekte dele og andre ting, som kan påvirke den elektriske maskines korrekte funktion. Hvis den elektriske maskine er beskadiget, skal den repareres før brug.** Mange ulykker skyldes, at elektriske maskiner er dårligt vedligeholdt.
 - f) **Skærende værktøj skal holdes skarpe og rene.** Korrekt vedligeholdt skærende værktøj med skarpe skær kommer ikke så let til at sidde fast og er nemmere at styre.
 - g) **Brug den elektriske maskine, tilbehør, tool-bits osv. i henhold til disse instruktioner og på den måde, som denne specielle maskine er beregnet til, idet man skal tage hensyn til arbejdsforholdene og arbejdet, der skal udføres.** Brug af den elektriske maskine til andet, end den er beregnet til, kan resultere i farlige situationer.
 - h) **Hold håndtag og gribeflader tørre, rene og fri fra olie og fedtstof.** Glatte håndtag og gribeflader giver ikke mulighed for sikker håndtering og kontrol af værktøjet i uventede situationer.
- 5) Service**
- a) **Få foretaget service på dit maskinværktøj af en kvalificeret reparatør, der kun bruger identiske udskiftningsdele.** Dette sikrer, at maskinværktøjet fortsat er sikkert at bruge.

SPECIELLE SIKKERHEDSANVISNINGER

- Advarsel! Kompressoren må kun bruges i velegnede lokaler (med god ventilation og en omgivelsestemperatur fra 5°C til +40°C).
- Tjek, at tanken er helt fri for tryk, før forbindel-

ser til tanken skrues af.

- Det er forbudt at lave huller i, svejse på eller forvrænge lufttanken.
- Undlad at udføre handlinger på kompressoren uden først at have taget stikket ud af stikkontakten.
- Undlad at rette vandstråler eller stråler med brandfarlige væsker mod kompressoren.
- Undlad at placere brændbare genstande nær kompressoren.
- Sæt kontakten (2) i positionen "0" (SLUK) under hviletid.
- Ret aldrig luftstrålen mod mennesker eller dyr.
- Transporter ikke kompressoren med tanken under tryk.
- NB: Nogle af kompressorens dele, f.eks. hovedet og gennemføringsrørene, kan nå høje temperaturer. Undlad at røre ved disse dele for at undgå forbrændinger.
- Transporter kompressoren ved at løfte den eller ved hjælp af de specielle greb eller håndtag.
- Børn og dyr skal holdes langt væk fra maskinens driftsområde.
- Hvis du bruger kompressoren til at sprøjte maling:
 - a) Undlad at arbejde i lukkede rum eller i nærheden af åben ild.
 - b) Sørg for, at det miljø, du arbejder i, har særlig ventilation.
 - c) Beskyt din næse og mund med en særlig maske.
- Undlad at bruge kompressoren, når det elektriske kabel eller stikket er beskadiget, og bed en autoriseret supporttjeneste om at udskifte dem med en original del.
- Når kompressoren placeres på en overflade, der er højere end gulvet, skal den fastgøres for at forhindre, at den falder ned under drift.
- Undlad at stikke genstande eller dine hænder ind i beskyttelsesdækslerne for at undgå personskade og beskadigelse af kompressoren.
- Brug ikke kompressoren som et stump instrument mod personer, genstande eller dyr for at undgå alvorlig skade.
- Hvis kompressoren ikke længere er i brug, skal du altid trække stikket ud af stikkontakten.
- Sørg altid for, at trykluftslanger bruges til trykluft, og som er kendetegnet ved et maksimalt tryk, der er tilpasset kompressorens tryk. Forsøg ikke at reparere slangen, hvis den er beskadiget.

SIKKERHEDSINSTRUKTIONER TIL ARBEJDE MED TRYKLUFTPISTOLER

- Kompressoren og slangerne kan blive meget varme under drift. Hvis de berøres, kan det forårsage forbrændinger.
- Gasser eller dampe, der suges ind af kompressorindtaget, skal holdes fri for tilsætningsstoffer, der kan føre til brand eller eksplosioner inde i kompressoren.
- Når du fjerner slangekoblingen, skal du altid holde fast i slangekoblingen for at undgå personske forårsaget af, at slangen flyver af.
- Bær beskyttelsesbriller, når du arbejder med udblæsningspistolen. Fremmedlegemer og udblæste partikler kan let forårsage personske.
- Undlad at rette udblæsningspistolen mod personer og at bruge den til at rengøre tøj, du har på.

El-sikkerhed

Når du bruger el-maskiner, skal du altid overholde de gældende sikkerhedsbestemmelser i dit land for at reducere risikoen for brand, elektrisk stød og personske. Læs følgende sikkerhedsanvisninger samt de medfølgende sikkerhedsanvisninger.



Kontroller altid, at strømforsyningen stemmer overens med spændingen på ydelsesskiltet.

Tilslutning til strømforsyningen

Kontrollér, at strømforsyningen og stikket er i overensstemmelse med din maskine. Kig på mærkepladen på maskinen. Eventuelle ændringer skal altid udføres af en kvalificeret elektriker.



Advarsel! Denne maskine skal forbindes til jord. Hvis denne maskine ikke forbindes korrekt til jord, kan det forårsage et elektrisk stød. Sørg for, at strømforsyningskontakten er forbundet til jord. Hvis du er i tvivl, bør du få det undersøgt af en kvalificeret tekniker.



Advarsel! Undgå kontakt med terminalerne på stikket, når du sætter (fjerner) stikket i (fra) strømforsyningskontakten. Kontakt vil forårsage et alvorligt elektrisk stød.

Udskiftning af kabler eller stik

Hvis det er **nødvendigt** at udskifte forsyningsledningen, skal dette udføres af producenten eller dennes agent for at undgå en sikkerhedsfare. Smid gamle kabler eller stik ud med det samme, når de er udskiftet med nye. Det er farligt at sætte stikket på et løst kabel i stikkontakten.

Brug af forlængerledninger

Brug kun en godkendt forlængerledning, som egner sig til maskinens indgangseffekt. Den mindste lederstørrelse er 1,5 mm². Når du bruger en kabeltromle, skal du altid rulle tromlen helt ud.

2. MASKINOPLYSNINGER

Tilsigtet brug

Kompressoren er designet til at generere trykluft til trykluftdrevne værktøjer. Denne kompressor er ikke beregnet til kontinuerlig drift.

TEKNISKE SPECIFIKATIONER

Model nr.	CR504AC / CR504AC_GREY / CR504AC_WHITE
Kompressortype	Stempel - oliefri - lavt støjniveau
Kompressordrev	Direkte drev
Spænding	220-240V~
Frekvens	50 Hz
Indgangseffekt	750 W
Hestekræfter	1 HK
Driftstilstand	S3 50 % *
Tomgangshastighed	1450/min
IP-klasse	IP30
Beskyttelsesklasse	Klasse I
Luftindtag	128 l/min
Output (trykluft) ved 7 bar	42 l/min
Output (trykluft) ved 4 bar	65 l/min
Maks. udgangstryk	8 bar
Indkoblingstryk cirka	6 bar
Udkoblingstryk cirka	8 bar
Tankkapacitet	6 l
Kabellængde	2 m
Vægt	16 kg

Lydtrykniveau	$L_{pA} = 79,7 \text{ dB(A)}$ $K_{pA} = 3 \text{ dB(A)}$
Lydeffektniveau	$L_{WA} = 92,7 \text{ dB(A)}$ $K_{WA} = 3 \text{ dB(A)}$

* S3 = intermitterende drift uden opstartens påvirkning. Dette betyder, at i løbet af en periode på 10 minutter er den maksimale driftstid 50 % (f.eks. 5 minutters arbejde og 5 minutters hvile), under optimale miljømæssige forhold (maks. temp. 25°C). Overholdelse af disse retningslinjer og de anviste vedligeholdelsesintervaller vil gøre, at produktet virker korrekt over tid.

BESKRIVELSE

Tallene i teksten henviser til diagrammerne på side 2-3.

1. Dæksel
2. Kontakt
3. Trykkontakt
4. Trykregulator
5. Hurtigkobling (udgang)
6. Trykmåler (driftstryk)
7. Trykmåler (tanktryk)
8. Sikkerhedsventil
9. Håndtag
10. Trykrør
11. Drænhane
12. Luftindgang
13. Luftfilter
14. Luftfilter
15. Tank
16. Gummifod

3. MONTERING



Før monteringen skal du altid slukke for maskinen og trække netstikket ud af kontakten.

Montering af luftfilter (fig. A, B)

1. Fjern transportlåget og udskift det med det medfølgende luftfilter (13) før brug af kompressoren.
2. Monter luftfilteret (13) ved at skruer luftfilteret (13) med uret ind i luftindgangen (12) som vist i figur B.

Installation af kompressoren

- Kompressoren bør installeres i et ventileret og tørt miljø.

- Sørg for, at kompressoren er placeret på et vandret og stabilt underlag.
- Placer kompressoren på en flad overflade eller med en maksimal hældning på 10° i et godt ventileret område, som er beskyttet mod atmosfæriske faktorer og ikke i eksplosive atmosfærer.
- Hvis overfladeområdet er hældende og glat, skal der sørges for, at kompressoren ikke kan rykke sig, når den er i drift.
- For korrekt ventilation og effektiv køling er det vigtigt, at kompressoren er placeret mindst 50 cm væk fra vægge eller forhindringer.
- Sørg for, at kompressoren transporteres korrekt. Vend den ikke på hovedet og løft den ikke med kroge eller reb.

4. BETJENING



Du skal samle kompressoren helt før første brug.



Lange forsyningskabler, forlængere, kabelruller osv. forårsager et fald i spændingen og kan forhindre motorstart. Brug ikke kabler, som er længere end 10 m. Vonroc råder til at bruge en længere luftslange i stedet.



Det kan være sværere at opstarte motoren ved forhold med temperaturer under 5°C.



Hoved-/cylinder-/transmissionsrørsmonteringen kan nå høje temperaturer, så vær forsigtig, når der arbejdes tæt på disse dele og rør dem ikke for at undgå forbrændinger.

Opstart (fig. A)

1. Tjek om netspændingen svarer til den, der er angivet på pladen med elektriske specifikationer.
2. Drej tænd/sluk-kontakten (2) til positionen 'O' for at slukke kompressoren.
3. Indsæt stikket i en stikkontakt.
4. Drej tænd/sluk-kontakten (2) til positionen 'I' for at tænde kompressoren.
5. Drift af kompressoren er fuldautomatisk. Trykkontakten (3) vil stoppe kompressoren, når den maksimale værdi er nået og store, når trykket falder under minimumsværdien. Trykkontakten (3) er indstillet på fabrikken. Normalt er forskellen i tryk cirka 2 bar/29 psi mellem den maksimale og den minimale værdi. Kompressoren vil stoppe, når

den når 8 bar (116 psi) (dette er det maksimale driftstryk) og vil starte automatisk, når trykket inde i tanken er faldet til 6 bar (87 psi).

Tilslutning af slange og værktøj (fig. A)

1. Drej trykregulatoren (4) ved at dreje knappen mod uret, indtil trykket er helt frigivet.
2. Indsæt konnektoren på luftslangen (medfølger ikke) i hurtigkoblingen (5) på kompressoren. Når du trykker, klikker konnektoren på plads for at sikre luftslangen.
3. Forbind luftværktøjet (medfølger ikke), som du vil bruge på luftslangens hurtigkobling.
4. Drej trykregulatoren (4) ved at dreje knappen med uret, indtil trykmåleren (6) viser det trykniveau, du har brug for.
5. Dit luftværktøj er nu klar til brug.

Frakobling af slange og værktøj (fig. A)



Når du frigiver hurtigkoblingen, skal du sørge for at holde slangen for at beskytte dig selv mod personskade på grund af tilbageslag fra slangen.

1. Drej trykregulatoren (4) ved at dreje knappen mod uret, indtil trykket er helt frigivet.
2. Reducer trykket ved at aktiveret luftværktøjet (medfølger ikke).
3. Træk muffen på luftslangens hurtigkobling tilbage og fjern dit luftværktøj.
4. Træk muffen på hurtigkoblingen (5) tilbage og fjern slangen.

Trykafæsning (fig. A)

Kompressoren har to trykmålere (6,7). Tanktrykket kan aflæses på trykmåleren (7) og driftstrykket (reguleret tryk) kan læses på trykmåleren (6). Den sorte skala indikerer trykket i bar og den røde skala indikerer trykket i PSI.

Justering af driftstrykket (fig. A)



Det er ikke altid nødvendigt at bruge det maksimale driftstryk. Luftværktøjerne kræver ofte mindre tryk. Tjek altid det korrekte driftstryk på værktøjet, som du har tænkt dig at bruge.

Med hensyn til kompressorer, som følger med en trykregulator (4) er det nødvendigt at indstille driftstrykket korrekt. Det er muligt at indstille driftstrykket ved at bruge drejeknappen på trykregulatoren (4):

- Når den drejes med uret, øges driftstrykket.
- Når den drejes mod uret, reduceres driftstrykket.

Bemærk: når der ikke er tilsluttet et luftværktøj, mens trykket justeres, kan det ske, at trykmåleren (6) ikke reagerer præcist på fald i tryk.

Overbelastningsafbryder (fig. A)

Motoren er udstyret med en overbelastningsafbryder (14). Hvis kompressoren bliver overbelastet, slukker overbelastningsafbryderen (14) automatisk for at beskytte kompressoren mod overophedning. Hvis overbelastningsafbryderen (14) udløses, skal du slukke kompressoren ved hjælp af tænd/sluk-knappen (2) og vente, indtil kompressoren køler af. Tryk derefter på overbelastningsafbryderen (14), og genstart kompressoren.

Afslut drift (fig. A, C)



Rør ikke ved kompressoren, medmindre den har været afbrudt i mindst 10 minutter.



Hvis der er risiko for frost, eller hvis du ikke bruger din kompressor i lang tid, skal du opbevare din kompressor korrekt.

1. Kontrollér, at tænd/sluk-kontakten (2) er i positionen '0'.
2. Tag netstikket ud af kontakten.
3. Reducer trykket i tanken til cirka 2 bar ved at forbinde og aktivere et luftværktøj.
4. Drej derefter langsomt drænhane (11) på den nedre side af tanken, så ventilen er åben. Vandet i tanken (15) vil nu sive ud af tanken (15).
5. Vær påpasselig, når der er trykluft inde i tanken (15), fordi vandet kan komme ud med en del kraft. Anbefalet tryk maks. 1-2 bar.
6. Fjern luftværktøjet og slangen.
7. Rengør enheden og stil den til opbevaring (se 'Vedligeholdelse').

5. VEDLIGEHOLDELSE



Før rengøring og vedligeholdelse skal du altid slukke for maskinen og trække netstikket ud af kontakten.



Rør ikke ved kompressoren, medmindre den har været afbrudt i mindst 10 minutter. Risiko for forbrændinger!



Fjern altid trykket i tanken, før der udføres noget rengørings- og vedligeholdelsesarbejde.

Rengør maskinbeklædningerne regelmæssigt med en blød klud, helst efter hver anvendelse. Sørg for, at der ikke er støv eller snavs i ventilationsåbningerne. Fjern snavs, der sidder meget godt fast, med en blød klud, der er fugtet i sæbevand. Brug ikke opløsningsmidler, som f.eks. benzin, sprit, ammoniak osv. Kemikalier som disse beskadiger de syntetiske komponenter.

Tømning af tanken (fig. C)



Tjek tryktanken for tegn på rust og skade før hver brug. Brug ikke kompressoren med en beskadiget eller rusten trykbeholder.

Sammenpresning af luft vil forårsage vand i tanken. Dræn jævnligt vandet fra tanken for at forhindre rust i tanken. Det afhænger af luftfugtighed, men rådet er at gøre det efter hver brug.

1. Reducer trykket i tanken til cirka 2 bar ved at forbinde og aktivere et luftværktøj.
2. Drej derefter langsomt drænhane (11) på den nedre side af tanken, så ventilen er åben. Vandet i tanken vil nu sive ud af tanken.
3. Vær påpasselig, når der er trykluft inde i tanken, fordi vandet kan komme ud med en del kraft. Anbefalet tryk maks. 1-2 bar.

Rengøring af luftfilter (fig. D)



Det anbefales at afmontere sugefilteret for hver 50 driftstimer og at rengøre filterelementet ved at blæse på det med trykluft.



Det anbefales, at filterelementet udskiftes mindst en gang om året, hvis kompressoren er i drift i et rent miljø; oftere hvis miljøet, hvor kompressoren er placeret, er støvet. Et tilstoppet indtagsfilter vil mindske kompressorens ydeevne drastisk.

1. Åbn luftfilterhusets halvdele. Brug trykluft ved lavt tryk (cirka 3 bar) til at blæse alle dele af filteret igennem.
2. Monter filteret i bagvendt rækkefølge.

OPBEVARING OG FROSTBESKYTTELSE

Kompressoren og tilbehør, der ikke drænes helt, kan blive ødelagt af frost. Dræn kompressoren og tilbehøret fuldstændigt, og beskyt dem mod frost. Opbevar dette apparat på et tørt sted med god udluftning og en temperatur, der ikke kommer ned under +5 °C. Når det ikke er i brug, skal dette apparat opbevares et sikkert sted uden for børns rækkevidde.

Funktionsfejl

Hvis maskinen ikke virker korrekt, er der angivet en række mulige årsager og de passende løsninger herunder:

Lufttab

- Kan være forårsaget af en dårlig forsegling af forbindelsen.
- Tjek alle luftforbindelser ved at gøre dem våde med sæbevand (brug aldrig opløsningen nær elektriske forbindelser).
- Når tanken er tom og bliver fyldt. Brugeren kan høre en hvislende lyd ved trykkontakten. Dette er normalt og vil stoppe før kompressoren når et tryk på 1,5 bar.
- Tjek om drænhane (11) er lukket godt til.

Kompressoren vil ikke starte

Hvis kompressoren har startvanskeligheder, så tjek:

- Om netspændingen svarer til specifikationspladen.
- Om forlængerledninger, der anvendes, har en defekt kerne eller længde.
- Om driftsmiljøet er for koldt (under 5°C).
- Om der er elektrisk forsyning (stikket korrekt tilsluttet, om magnetisk-termiske sikringer ikke er itu).

Kompressoren slukker ikke

Hvis kompressoren ikke slukker, når det maksimale tryk er blevet nået, vil tankens sikkerhedsventil blive aktiveret. Det er nødvendigt at kontakte det nærmeste autoriserede servicecenter for reparation.

MILJØ



Defekte og/eller bortskaffede elektriske og elektroniske apparater skal afleveres på en passende genbrugsstation.

Kun for EU-lande

Smid ikke el-værktøjer ud sammen med almindeligt affald. I henhold til de europæiske direktiver 2012/19/EU for elektrisk og elektronisk udstyr og er implementeret i henhold til nationale rettigheder, el-værktøj som ikke længere er anvendelig skal indsamles separat og genbruges på en miljøvenlig måde.

GARANTIVILKÅR

VONROC produkter er udviklet efter de højeste kvalitetsstandarder og er garanteret fri for mangler i såvel materialer som udførelse i den lovpligtige periode, der starter fra datoen for det oprindelige køb. Skulle produktet udvikle nogen fejl i løbet af denne periode på grund af defekte materialer og/eller fabrikationsfejl, så kontakt VONROC direkte.

De følgende forhold er udelukket fra denne garanti:

- Reparationer og eller rettelser er blevet foretaget eller forsøgt foretaget på maskinen af uautoriserede servicecentre.
- Normal slitage.
- Værktøjet har været misligholdt, misbrugt eller vedligeholdt forkert.
- Ikke originale reservedele er blevet anvendt.

Dette udgør den eneste garanti fra virksomheden enten udtrykt eller underforstået. Der er ingen andre garantier udtrykt eller underforstået, som strækker sig ud over forsiden heraf, heri, herunder underforståede garantier for salgbarhed og egnethed til et bestemt formål. VONROC vil under ingen omstændigheder være ansvarlig for hændelige skader eller følgeskader. Forhandlernes afhjælpningsmidler vil være begrænsede til reparation eller udskiftning af fejlbehæftede enheder eller dele.

Produktet og brugermanualen kan ændres. Specifikationer kan ændres uden forudgående varsel.

1. INSTRUKCJĘ DOTYCZĄCĄ BEZPIECZENSTWA

Przeczytać dołączone ostrzeżenia dotyczące bezpieczeństwa, dodatkowe ostrzeżenia dotyczące bezpieczeństwa oraz instrukcję. Nieprzestrzeganie ostrzeżeń dotyczących bezpieczeństwa oraz instrukcji może prowadzić do porażenia prądem, pożaru i/lub poważnych obrażeń ciała. Zachować ostrzeżenia dotyczące bezpieczeństwa oraz instrukcje na przyszłość.

Następujące symbole są umieszczone w instrukcji obsługi lub na produkcie:



Przeczytać instrukcję obsługi.



Oznacza ryzyko obrażeń ciała, śmierci lub uszkodzenia narzędzia w razie nieprzestrzegania poleceń z instrukcji.



Nie wystawiać urządzenia na działanie deszczu.



Chronić urządzenie przed zamarzaniem.



Zakaz: Nie otwierać zaworu kurkowego przed podłączeniem węża powietrznego.



Ryzyko porażenia prądem.



Ryzyko poparzenia gorącymi powierzchniami.



Przeostrożenie: kompresor może uruchomić się automatycznie w przypadku przerwy w zasilaniu i ponownego przywrócenia zasilania.



Nosić ochronniki słuchu.



Gwarantowany poziom mocy akustycznej LWA = 78 db(A).



Nie wyrzucać produktu do nieodpowiednich pojemników.



Produkt spełnia wymogi odpowiednich norm bezpieczeństwa podanych w dyrektywach UE.

OGÓLNE ZALECENIA DOTYCZĄCE BEZPIECZEŃSTWA



UWAGA! Przeczytać wszystkie ostrzeżenia dotyczące bezpieczeństwa i wszystkie instrukcje. Nieprzestrzeganie wszystkich poniższych instrukcji może być przyczyną porażenia prądem, pożaru i/lub poważnych obrażeń.

Zachowaj niższe instrukcje.

Termin „elektronarzędzia akumulatorowe” we wszystkich ostrzeżeniach zamieszczonych poniżej odnosi się do elektronarzędzi akumulatorowych zasilanych sieciowo (przewodowych) lub elektronarzędzi akumulatorowych działających na baterie (beprzewodowych).

1) Obszar roboczy

- Obszar roboczy należy utrzymywać w czystości.** Powinien on być dobrze oświetlony. Nieład i złe oświetlenie mogą z łatwością doprowadzić do wypadku.
- Nie korzystaj z elektronarzędzi akumulatorowych w warunkach, w których łatwo może dojść do wybuchu, np. w obecności łatwopalnych cieczy, gazów lub pyłu.** Podczas pracy elektronarzędzi akumulatorowych powstają iskry, które mogą doprowadzić do zapłonu pyłu lub oparów.
- Dzieci i inne osoby postronne powinny pozostać w bezpiecznej odległości od pracującego urządzenia.** Rozproszenie uwagi może spowodować utratę kontroli nad urządzeniem.

2) Bezpieczeństwo związane z elektrycznością

- Wtyczki elektronarzędzi akumulatorowych muszą być odpowiednie do danego gniazda. Pod żadnym pozorem nie należy modyfikować wtyczki w jakikolwiek sposób. Nie należy używać adapterów, które uziemiają elektronarzędzia akumulatorowe.** Stosowanie wtyczek nie poddanych modyfikacjom oraz odpowiednich gniazd zmniejsza ryzyko porażenia prądem.
- Należy unikać bezpośredniego kontaktu fizycznego z powierzchniami uziemionymi, takimi jak rury, grzejniki, kuchenki, lodówki.** Ryzyko porażenia prądem jest większe, jeśli ciało osoby obsługującej urządzenie jest uziemione.
- Nie należy wystawiać elektronarzędzi akumulatorowych na działanie deszczu lub wilgoci.** Dostanie się wody do wnętrza elektronarzędzia akumulatorowego zwiększy ryzyko porażenia prądem.

- Nie należy używać przewodu w niewłaściwy sposób. Pod żadnym pozorem nie należy wykorzystywać przewodu do przenoszenia lub ciągnięcia elektronarzędzia akumulatorowego, ani do jego odłączania od sieci. Przewodu nie należy wystawiać na działanie ciepła, smarów. Powinien on znajdować się w bezpiecznej odległości od ostrych krawędzi i części ruchomych.** Przewody uszkodzone lub poplątane zwiększają ryzyko porażenia prądem.
- Podczas korzystania z elektronarzędzia akumulatorowego na wolnym powietrzu, należy używać przewodu przedłużacza przystosowanego do użytku na zewnątrz.** Używanie przewodu nadającego się do użytku na wolnym powietrzu zmniejsza ryzyko porażenia prądem.
- Jeśli obsługa elektronarzędzia w wilgotnym miejscu jest nieunikniona, użyć zasilania wyposażonego w wyłącznik różnicowo-prądowy.** Użycie wyłącznika różnicowo-prądowego zmniejsza ryzyko porażenia prądem.

3) Bezpieczeństwo osoby obsługującej urządzenie

- Przez cały czas należy mieć się na baczności, uważać na to, co się robi, a w czasie obsługi elektronarzędzia akumulatorowego postępować mając na uwadze zdrowy rozsądek. Urządzenia nie powinny obsługiwać osoby zmęczone lub będące pod wpływem narkotyków, alkoholu lub leków.** Chwila nieuwagi w czasie obsługi elektronarzędzi akumulatorowych może być przyczyną powstania poważnych obrażeń ciała.
- Należy korzystać ze sprzętu ochronnego oraz zawsze nosić okulary ochronne.** Sprzęt ochronny, jak na przykład maska przeciwpyłowa, antypoślizgowe obuwie ochronne, kask lub słuchawki ochronne używany we właściwych sytuacjach pozwoli na zmniejszenie ryzyka obrażeń ciała.
- Unikać niezamierzonego uruchomienia. Przed podłączeniem urządzenia do sieci, zawsze sprawdzić, czy przełącznik znajduje się w pozycji „wyłączony”.** Przenoszenie elektronarzędzi z palcem na przełączniku lub włączonych elektronarzędzi z przełącznikiem w położeniu włączenia jest bardzo niebezpieczne i może powodować wypadki.
- Przed włączeniem elektronarzędzia akumulatorowego należy usunąć z niego wszystkie klucze nastawcze lub maszynowe.** Pozostawienie klucza zamocowanego na jednej z części obrotowych urządzenia może spowodować powstanie obrażeń ciała.

- e) **Nie należy sięgać ponad urządzeniem. Przez cały czas należy zachować odpowiednią równowagę i zapewnić odpowiednie oparcie dla stóp.** Pozwoli to na lepsze kontrolowanie urządzenia w nieoczekiwanych sytuacjach.
- f) **Należy nosić odpowiednie ubranie. Do pracy z urządzeniem nie wkładać luźnych ubrań ani biżuterii. Włosy, ubranie i rękawiczki trzymać z dala od części ruchomych.** Luźne części ubrania, biżuteria lub długie włosy mogą zostać wciągnięte przez części ruchome.
- g) **Jeśli w urządzeniu przewidziano elementy służące do odprowadzania i zbierania pyłu, należy sprawdzić, czy są podłączone, i czy działają we właściwy sposób.** Korzystanie z tego typu elementów pozwala ograniczyć ryzyko związane z wydzielaniem pyłu podczas pracy urządzenia.
- h) **Nie zezwalać na to, aby rutyna związana z częstym korzystaniem z narzędzi powodowała nadmierną pewność siebie i ignorowanie zasad bezpiecznego korzystania z narzędzi.** Nieodpowiedzialne działanie może spowodować poważne obrażenia ciała w ułamku sekundy.
- 4) Obsługa i konserwacja elektronarzędzi akumulatorowych**
- a) **Urządzenia nie należy przeciążać. Należy korzystać z narzędzia odpowiedniego do danego typu pracy.** Odpowiednio dobrane urządzenie pozwoli na lepsze i bezpieczniejsze wykonanie pracy, we właściwym dla urządzenia tempie.
- b) **Z elektronarzędzia akumulatorowego nie należy korzystać, jeśli nie można go włączyć i wyłączyć przy pomocy przełącznika.** Urządzenie, którego nie można kontrolować używając przełącznika jest niebezpieczne i powinno być oddane do naprawy.
- c) **Przed przystąpieniem do regulowania elektronarzędzi akumulatorowych, wymiany akcesoriów lub przygotowywania urządzeń do okresu przechowywania, należy odłączyć wtyczkę od źródła zasilania.** Tego typu środki ostrożności zmniejszają ryzyko przypadkowego uruchomienia urządzenia.
- d) **Nieczynne elektronarzędzia akumulatorowe należy przechowywać poza zasięgiem dzieci. Nie należy pozwolić, aby osoby nie znające urządzenia lub niniejszych instrukcji obsługi używały urządzenia.** Elektronarzędzia akumulatorowe w rękach niekompetentnych użytkowników stanowią zagrożenie.
- e) **Elektronarzędzia akumulatorowe należy utrzymywać w dobrym stanie technicznym. Należy sprawdzać, czy części ruchome są właściwie założone, i czy się nie zacinają. Należy również sprawdzać, czy jakieś części nie są uszkodzone oraz sprawdzać wszelkie inne elementy, które mogą wpłynąć na pracę urządzeń. Jeśli urządzenie jest uszkodzone, przed przystąpieniem do jego użytkowania, należy je naprawić.** Częstoą przyczyną wypadków jest zły stan techniczny przyrządów.
- f) **Narzędzia służące do cięcia powinny być naostrzone i utrzymywane w czystości.** Jeśli narzędzia służące do cięcia, które posiadają ostre krawędzie tnące, są właściwie konserwowane, istnieje mniejsze prawdopodobieństwo ich zacinania się. Ponadto, łatwiej je kontrolować.
- g) **Elektronarzędzia akumulatorowe, akcesoriów, nakładek, itp. należy używać zgodnie z niniejszymi instrukcjami oraz w sposób właściwy dla danego rodzaju urządzenia, z u wzięciem pod uwagę warunków pracy oraz jej rodzaju.** Używanie urządzenia niezgodnie z przeznaczeniem może prowadzić do powstania sytuacji niebezpiecznych.
- h) **Uchwyty należy utrzymywać w stanie suchym, czystym i niezabrudzonym olejem lub smarem.** Śliskie uchwyty i powierzchnie do chwytania nie pozwalają na bezpieczne obchodzenie się z narzędziem i panowanie nad nim w nieoczekiwanych sytuacjach.
- 5) Serwis**
- a) **Zlecać serwisowanie elektronarzędzie wykwalifikowanemu technikowi stosującymi jedynie części zamienne identyczne z oryginalnymi.** Zapewni to zachowanie bezpieczeństwa elektronarzędzia.

SZCZEGÓLNE INSTRUKCJE DOTYCZĄCE BEZPIECZEŃSTWA

- **Ostrzeżenie!** Kompresora można używać wyłącznie w odpowiednich pomieszczeniach (o dobrej wentylacji i z temperaturą otoczenia od 5°C do +40°C).
- Sprawdzić, czy ze zbiornika zostało spuszczone całe ciśnienie przed okręceniem połączeń ze zbiornikiem.
- Nie wolno wykonywać otworów w zbiorniku sprężonego powietrza, spawać go ani odkształcać.
- Nie wykonywać żadnych czynności dotyczących kompresora bez uprzedniego wyjęcia wtyczki z gniazdka.
- Nie kierować strumieni wody ani łatwopalnych cieczy na kompresor.

- Nie umieszczać łatwopalnych przedmiotów w pobliżu kompresora.
 - Przeszawiać włącznik (2) w położenie „0” (WYŁ.), gdy urządzenie nie jest używane.
 - Nigdy nie kierować strumienia powietrza na ludzi lub zwierzęta.
 - Nie transportować kompresora, gdy w zbiorniku znajduje się powietrze pod ciśnieniem.
 - Uwaga: niektóre części kompresora, jak głowica i rury przepustowe mogą nagrzewać się do wysokiej temperatury. Nie dotykać tych części, aby uniknąć oparzeń.
 - Transportować kompresor, podnosząc go lub korzystając ze specjalnych uchwytów lub rączek.
 - Dzieci i zwierzęta należy utrzymywać z dala od miejsca pracy maszyny.
 - W przypadku korzystania z kompresora do natryskiwania farby:
 - a) Nie pracować w zamkniętej przestrzeni ani w pobliżu otwartego ognia.
 - b) Dopilnować, aby miejsce, w którym będzie wykonywana praca, było wyposażone w wydzieloną wentylację.
 - c) Chronić nos i usta specjalną maską.
 - Nie używać kompresora z uszkodzonym kablem zasilania lub wtyczką i zlecić wymianę uszkodzonej części na oryginalną w autoryzowanym serwisie.
 - Jeśli kompresor stoi na powierzchni powyżej podłogi, musi być przymocowany, aby nie spadł podczas pracy.
 - Nie wkładać przedmiotów ani dłoni pod osłony ochronne, aby uniknąć obrażeń ciała oraz uszkodzenia kompresora.
 - Nie używać kompresora jako tępego narzędzia do uderzania w ludzi, przedmioty lub zwierzęta, aby uniknąć poważnych uszkodzeń.
 - Jeśli kompresor nie jest w użytku, zawsze wyjmować wtyczkę z gniazdka.
 - Zawsze dopilnowywać, aby węże sprężonego powietrza były stosowane do sprężonego powietrza o maksymalnym ciśnieniu zgodnym z parametrami kompresora. Nie próbować naprawiać uszkodzonego węża.
- Gazy lub opary zasysane przez otwór wlotowy kompresora muszą być wolne od domieszek, które mogłyby prowadzić do wybuchu lub pożaru wewnątrz kompresora.
 - Podczas odłączania złączki węża zawsze mocno trzymać złączkę węża, aby uniknąć obrażeń ciała spowodowanych przez wąż uderzający jak bicz.
 - Podczas pracy z pistoletowym uchwytem na sprężone powietrze nosić okulary ochronne. Ciała obce i wydmuchiwane cząstki mogą łatwo spowodować obrażenia oczu.
 - Nie kierować pistoletowego uchwytu na sprężone powietrze na ludzi ani nie używać go do czyszczenia założonej odzieży.

Bezpieczeństwo elektryczne

Podczas korzystania z elektronarzędzi należy zawsze przestrzegać krajowych przepisów BHP w celu ograniczenia ryzyka pożaru, porażenia prądem i obrażeń ciała. Przeczytać poniższe instrukcje dotyczące bezpieczeństwa oraz dołączone instrukcje dotyczące bezpieczeństwa.



Zawsze sprawdzać, czy parametry źródła zasilania są zgodne z napięciem podanym na tabliczce znamionowej.

Podłączanie do zasilania

Dopilnować, aby zasilanie i wtyczka były zgodne z urządzeniem. Zapoznać się z tabliczką znamionową umieszczoną na urządzeniu. Wszelkie modyfikacje może przeprowadzać wyłącznie wykwalifikowany elektryk.



Ostrzeżenie! To urządzenie musi być uziemione. Jeśli nie będzie prawidłowo uziemiona, ta maszyna może spowodować porażenie prądem. Dopilnować, aby gniazdo zasilania było uziemione. W razie wątpliwości zlecić kontrolę wykwalifikowanemu elektrykowi.



Ostrzeżenie! Unikać dotykania bolców wtyczki podczas wkładania (wyjmowania) wtyczki do (z) gniazdka zasilania. Dotknięcie spowoduje silne porażenie prądem.

INSTRUKCJE DOTYCZĄCE BEZPIECZEŃSTWA PRACY Z PISTOLETOWYMI NARZĘDZIAMI NA SPRĘŻONE POWIETRZE

- Kompresor i wąż mogą się bardzo nagrzewać podczas pracy i być gorące. Ich dotknięcie może spowodować oparzenia.

Wymiana kabli i wtyczek

Jeśli wymiana **przewodu zasilającego** jest konieczna, aby zapewnić bezpieczeństwo, wymianę musi przeprowadzić producent lub jego przedstawiciel.

Utylizować stare kable lub wtyczki niezwłocznie po ich zastąpieniu nowymi. Włożenie wtyczki niepodłączonego kabla do gniazda sieciowego jest niebezpieczne.

Korzystanie z przedłużaczy

Stosować jedynie atestowane kable przedłużeniowe przystosowane do mocy maszyny. Minimalny rozmiar przewodu to 1,5 mm². Podczas korzystania z kabla w zwoju, zawsze całkowicie rozwinąć zwój.

2. INFORMACJE O URZĄDZENIU

Przeznaczenie

Kompresor jest przeznaczony do wytwarzania sprężonego powietrza do narzędzi zasilanych pneumatycznie. Kompresor nie jest przeznaczony do ciągłej pracy.

DANE TECHNICZNE

Nr. modelu	CR504AC / CR504AC_GREY / CR504AC_BIAŁY
Typ kompresora	Tłokowy - bezolejowy - o obniżonym hałasie
Napęd kompresora	Napęd bezpośredni
Napięcie	220-240 V~
Częstotliwość	50 Hz
Moc wejściowa	750 W
Moc w koniach mechanicznych	1 KM
Tryb pracy	S3 50% *
Prędkość obrotowa bez obciążenia	1450/min
Klasa zabezpieczenia IP	IP30
Klasa ochrony	Klasa I
Pobór powietrza	128 l/min
Wydajność (sprężone powietrze) z ciśnieniem 7 barów	42 l/min
Wydajność (sprężone powietrze) z ciśnieniem 4 barów	65 l/min
Maks. ciśnienie wylotowe	8 barów
Ciśnienie załączeniowe około	6 barów
Ciśnienie wyłączeniowe około	8 barów
Pojemność zbiornika	6 l
Długość kabla	2 m
Ciężar	16 kg

Poziom ciśnienia akustycznego	L _{PA} = 79,7 dB(A) K _{PA} = 3 dB(A)
Poziom mocy akustycznej	L _{WA} = 92,7 dB(A) K _{WA} = 3 dB(A)

* S3 = praca przerywana bez wpływu rozruchu. Oznacza to, że w okresie 10 minut, maksymalny czas pracy wynosi 50% (np. 5 minut pracy i 5 minut przestoju), w optymalnych warunkach otoczenia (maks. temp. 25°C). Przestrzeganie tych wytycznych i zalecanych interwałów konserwacji zapewni długotrwałą i właściwą pracę urządzenia.

OPIS

Liczby w tekście odnoszą się do rysunków na stronach 2-3.

1. Pokrywa
2. Włącznik
3. Przełącznik ciśnieniowy
4. Regulator ciśnienia
5. Szybkozłącze (wylotowe)
6. Manometr (ciśnienie robocze)
7. Manometr (ciśnienie w zbiorniku)
8. Zawór bezpieczeństwa
9. Uchwył
10. Rura ciśnieniowa
11. Kurek spustowy
12. Wlot powietrza
13. Filtr powietrza
14. Przełącznik przeciążeniowy
15. Zbiornik
16. Gumowe nóżki

3. MONTAŻ



Przed rozpoczęciem montażu zawsze wyłączać maszynę i wyjmować wtyczkę zasilania sieciowego z gniazdka.

Montaż filtra powietrza (rys. A, B)

1. Zdjąć pokrywę transportową i zastąpić ją dołączonym filtrem powietrza (13) przed użyciem kompresora.
2. Zamocować filtr powietrza (13), wkręcając filtr powietrza (13) zgodnie ze wskazówkami zegara we wlot powietrza (12) zgodnie z rysunkiem B.

Instalacja kompresora

- Kompresor należy zainstalować w suchym otoczeniu z wentylacją.

- Dopilnować, aby kompresor został ustawiony na poziomym i stabilnym podłożu.
- Ustawić kompresor na płaskiej powierzchni o maksymalnym nachyleniu 10°, w dobrze wentylowanym miejscu chronionym przed wpływem czynników atmosferycznych, w środowisku innym niż wybuchowe.
- Jeśli powierzchnia jest nachylona i gładka, dopilnować, aby kompresor nie poruszał się podczas pracy.
- Aby zapewnić wentylację i skuteczne chłodzenie, kompresor musi być ustawiony co najmniej 50 cm od wszelkich ścian lub przeszkód.
- Dopilnować, aby prawidłowo transportować kompresor, nie odwracać go spodem do góry i nie podnosić hakami ani linami.

4. OBSŁUGA



Przed pierwszym użyciem kompresora należy go całkowicie zmontować.



Długie kable zasilające, przedłużacze, szpule kabli itp. powodują spadek napięcia i mogą utrudniać uruchomienie silnika. Nie używać kabli dłuższych niż 10 m. Vonroc zaleca stosowanie zamiast tego dłuższego węża pneumatycznego.



Uruchomienie silnika w temperaturze poniżej 5°C może być utrudnione.



Zespół obejmujący głowicę/cylinder/rurę przesyłową może bardzo się nagrzewać, dlatego zachować ostrożność podczas pracy w pobliżu tych części i nie dotykać ich, aby uniknąć oparzenia.

Rozruch (rys. A)

1. Sprawdzić, czy napięcie sieciowe jest zgodne z ciśnieniem podanym na elektrycznej tabliczce znamionowej.
2. Przetawić włącznik (2) w położenie „0”, aby wyłączyć kompresor.
3. Włożyć wtyczkę kabla zasilania do gniazdka.
4. Pociągnąć włącznik (2) w położenie „I”, aby włączyć kompresor.
5. Kompresor działa całkowicie automatycznie. Przełącznik ciśnieniowy (3) zatrzyma kompresor po osiągnięciu maksymalnej wartości i uruchomi go, gdy ciśnienie spadnie poniżej wartości

minimalnej. Przełącznik ciśnieniowy (3) jest wyregulowany fabrycznie. Zwykle różnica ciśnienia między maksymalną a minimalną wartością wynosi około 2 bary/29 PSI. Kompresor zatrzyma się po osiągnięciu ciśnienia 8 barów (116 PSI) (jest to maksymalne ciśnienie robocze) i uruchomi się automatycznie, gdy ciśnienie w zbiorniku spadnie do 6 barów (87 PSI).

Podłączanie węża pneumatycznego i narzędzia (rys. A)

1. Obracać pokrętko regulatora ciśnienia (4) przeciwnie do wskazówek zegara, aż do całkowitego zwolnienia ciśnienia.
2. Podłączyć złączkę węża pneumatycznego (nie dołączony) do szybkozłącza (5) na kompresorze. Po wciśnięciu złączka zatrzaśnie się w odpowiedniej pozycji, mocując wąż pneumatyczny.
3. Podłączyć narzędzie pneumatyczne (nie dołączone) do użycia do szybkozłącza węża pneumatycznego.
4. Obracać pokrętko regulatora ciśnienia (4) zgodnie ze wskazówkami zegara, aż manometr (6) wskaże wymagany poziom ciśnienia.
5. Narzędzie pneumatyczne jest teraz gotowe do użytku.

Odłączanie węża pneumatycznego i narzędzia (rys. A)



Podczas odłączania szybkozłącza konieczne trzymać wąż, aby chronić się przed zranieniem przez wyskakujący wąż.

1. Obracać pokrętko regulatora ciśnienia (4) przeciwnie do wskazówek zegara, aż do całkowitego zwolnienia ciśnienia.
2. Zmniejszyć ciśnienie, włączając narzędzie pneumatyczne (nie dołączone).
3. Odciągnąć tuleję szybkozłącza węża pneumatycznego i odłączyć narzędzie pneumatyczne.
4. Odciągnąć tuleję szybkozłącza (5) i odłączyć wąż.

Odczytywanie ciśnienia (rys. A)

Kompresor jest wyposażony w dwa manometry (6, 7). Ciśnienie w zbiorniku można odczytać na manometrze (7), a ciśnienie robocze (ustawione przez regulator) można odczytać na manometrze (6). Czarna podziałka podaje ciśnienie w barach, a czerwona w PSI.

Regulacja ciśnienia roboczego (rys. A)



Nie trzeba zawsze używać maksymalnego ciśnienia roboczego. Narzędzia pneumatyczne często wymagają niższego ciśnienia. Zawsze sprawdzać właściwe ciśnienie robocze dla narzędzia, jakie ma być używane.

W przypadku kompresorów wyposażonych w regulator ciśnienia (4), konieczne jest właściwe ustawienie ciśnienia roboczego. Można ustawić ciśnienie robocze, obracając pokrętkę na regulatorze ciśnienia (4):

- Obracanie zgodnie ze wskazówkami zegara powoduje zwiększenie ciśnienia roboczego.
- Obracanie przeciwnie do wskazówek zegara powoduje zmniejszenie ciśnienia roboczego.

Uwaga: kiedy narzędzie pneumatyczne nie jest podłączone podczas regulacji ciśnienia, może się zdarzyć, że manometr (6) nie zareaguje prawidłowo na spadek ciśnienia.

Przełącznik przeciążeniowy (rys. A)

Silnik jest wyposażony w przełącznik przeciążeniowy (14). Jeśli dojdzie do przeciążenia kompresora, przełącznik przeciążeniowy (14) automatycznie wyłączy kompresor, aby chronić go przed przegrzaniem. W razie uruchomienia przełącznika obciążeniowego (14), wyłączyć kompresor włącznikiem (2) i poczekać, aż kompresor ostygnie. Następnie nacisnąć przełącznik przeciążeniowy (14), aby ponownie uruchomić kompresor.

Kończenie pracy (rys. A, C)



Nie dotykać kompresora, jeśli od odłączenia od niego zasilania minęło mniej niż co najmniej 10 minut.



Jeśli istnieje ryzyko występowania przymrozków lub w przypadku długiego nieużywania kompresora należy go przechowywać w odpowiednim miejscu.

1. Dopolnować, aby włącznik (2) znajdował się w położeniu „0”.
2. Wyjąć wtyczkę zasilania z gniazdka sieciowego.
3. Obniżyć ciśnienie w zbiorniku do około 2 barów, podłączając i uruchamiając narzędzie pneumatyczne.
4. Następnie powoli obracać kurek spustowy (11) na spodzie zbiornika do położenia otwartego.

Woda ze zbiornika (15) wypłynie teraz ze zbiornika (15).

5. Zachować ostrożność, gdy w zbiorniku znajduje się sprężone powietrze (15), ponieważ woda może zostać wyrzucona z pewną siłą. Zalecane ciśnienie maks. 1-2 bary.
6. Odłączyć narzędzie pneumatyczne i wąż.
7. Oczyszczyć i schować urządzenie (patrz „Konservacja”).

5. KONSERWACJA



Przed rozpoczęciem czyszczenia i konserwacji zawsze wyłączać maszynę i wyjąć wtyczkę zasilania sieciowego z gniazdka.



Nie dotykać kompresora, jeśli od odłączenia od niego zasilania minęło mniej niż co najmniej 10 minut. Ryzyko poparzeń!



Zawsze spuszczać ciśnienie ze zbiornika przed przeprowadzeniem jakiegokolwiek czyszczenia lub prac konserwacyjnych.

Czyścić obudowę urządzenia regularnie miękką ściereczką, najlepiej po każdym użyciu. Dopolnować, aby otwory wentylacyjne były wolne od pyłu, kurzu i zabrudzeń. Usuwać oporne zabrudzenia miękką ściereczką zwilżoną mydlinami. Nie używać żadnych rozpuszczalników, takich jak benzyna, alkohol, amoniak itp. Takie substancje chemiczne spowodują uszkodzenie części z tworzyw sztucznych.

Opróżnić zbiornik (rys. C)



Sprawdzić zbiornik ciśnienia pod kątem oznak rdzy i uszkodzeń przed każdym użyciem. Nie używać kompresora z uszkodzonym lub zardzewiałym zbiornikiem ciśnienia.

Sprężanie powietrza powoduje pojawianie się wody w zbiorniku. Regularnie spuszczać wodę ze zbiornika, aby zapobiegać jego korozji. Zależy to od wilgotności powietrza, ale zalecamy spuszczać wodę po każdym użyciu.

1. Obniżyć ciśnienie w zbiorniku do około 2 barów, podłączając i uruchamiając narzędzie pneumatyczne.
2. Następnie powoli obracać kurek spustowy (11) na spodzie zbiornika do położenia otwartego. Woda ze zbiornika wypłynie teraz ze zbiornika

3. Zachować ostrożność, gdy w zbiorniku znajduje się sprężone powietrze, ponieważ woda może zostać wyrzucona z pewną siłą. Zalecane ciśnienie maks. 1-2 bary.

Oczyszczyć filtr powietrza (rys. D)



Zaleca się demontaż filtra wlotowego co 50 godzin pracy i czyszczenie jego wkładu poprzez przedmuchiwanie sprężonym powietrzem.



Zaleca się wymianę wkładu filtra powietrza co najmniej raz na rok, jeśli kompresor pracuje w czystym otoczeniu, lub częściej, jeśli kompresor znajduje się w zapyłonym otoczeniu. Zatkany filtr wlotowy powoduje dramatyczny spadek wydajności kompresora.

1. Otworzyć obie połowy obudowy filtra powietrza. Użyć sprężonego powietrza pod niskim ciśnieniem (około 3 barów) w celu przedmuchiania wszystkich części filtra.
2. Zmontować filtr, wykonując procedurę demontażu w odwrotnej kolejności.

PRZECHOWYWANIE I OCHRONA PRZED ZAMARZANIEM

Jeśli w kompresorze i jego akcesoriach pozostanie woda, mogą one zostać uszkodzone, gdy woda zamrze. Całkowicie opróżnić kompresor i jego akcesoria z wody i chronić je przed zamrażaniem. Przechowywać to urządzenie w dobrze wentylowanym i suchym miejscu w temperaturze nie niższej niż +5°C. Kiedy urządzenie nie jest używane, przechowywać je poza zasięgiem dzieci.

Usterki

Jeśli maszyna nie pracuje poprawnie, w celu rozwiązania problemu można skorzystać z opisu możliwych przyczyn i rozwiązań podanego poniżej:

Utrata powietrza

- Może być spowodowana nieszczelnością połączenia.
- Sprawdzić wszystkie połączenia pneumatyczne, zwilżając je modą z mydłem (nigdy nie używać tego roztworu w pobliżu połączeń elektrycznych).
- Kiedy zbiornik jest pusty i trwa jego napełnianie. Użytkownik może słyszeć odgłos syczenia w pobliżu przełącznika ciśnieniowego. To normal-

ne zjawisko, które zniknie, zanim kompresor osiągnie ciśnienie 1,5 bara.

- Sprawdzić, czy kurek spustowy (11) jest dobrze zamknięty.

Kompresor nie uruchamia się

Jeśli uruchomienie kompresora jest utrudnione, sprawdzić:

- Czy napięcie sieciowe jest zgodne z napięciem na tabliczce znamionowej.
- Czy stosowane przedłużacze mają właściwą średnicę przewodów i odpowiednią długość.
- Czy temperatura w miejscu pracy nie jest za niska (poniżej 5°C).
- Czy dostępne jest zasilanie elektryczne (prawnie podłączona wtyczka, nieuszkodzone bezpieczniki termiczno-magnetyczne).

Kompresor nie wyłącza się

Jeśli kompresor nie wyłączy się po osiągnięciu maksymalnego ciśnienia, uruchomi się zawór bezpieczeństwa zbiornika. W razie potrzeby skontaktować się z autoryzowanym serwisem w celu naprawy.

SRODOWISKO



Uszkodzone i/lub niepotrzebne urządzenia elektryczne lub elektroniczne podlegają zbiórce w odpowiednich punktach recyklingu.

Tylko kraje WE

Nie wyrzucać elektronarzędzi wraz z odpadami z gospodarstw domowych. Zgodnie z dyrektywą 2012/19/WE dotyczącą zużytych urządzeń elektrycznych i elektronicznych oraz jej wdrożeniem do prawodawstwa krajowego, elektronarzędzia, które już nie nadają się do użytku, podlegają oddzielnej zbiórce oraz utylizacji w sposób przyjazny dla środowiska.

GWARANCJA

Produkty VONROC są wytwarzane zgodnie z najwyższymi standardami jakości i producent udziela gwarancji na wady materiałowe i wady wykonania na okres wymagany prawem, licząc od dnia zakupu. Jeśli wystąpi usterka produktu w tym okresie spowodowana wadą materiałową i/lub wadą wykonania, proszę bezpośrednio skontaktować się ze sprzedawcą VONROC.

Następujące okoliczności powodują unieważnienie gwarancji:

- Przeprowadzono naprawy lub modyfikacje narzędzia w serwisie innym lub autoryzowany lub podjęto ich próbe;
- Normalne zużycie nie jest objęte gwarancją;
- Narzędzie było używane niezgodnie z przeznaczeniem, źle z nim się obchodzono lub było nieprawidłowo konserwowane;
- Użyto części zamiennych innych niż oryginalne.

Niniejsza gwarancja to wyłączna gwarancja producenta i nie obowiązują żadne inne wyrażone ani dorozumiane gwarancje. Nie obowiązują żadne inne wyrażone ani dorozumiane gwarancje o zakresie przekraczającym niniejszą gwarancję, co obejmuje dorozumiane gwarancje przydatności do sprzedaży i przydatności do określonego celu. W żadnym przypadku firma VONROC nie ponosi odpowiedzialności za straty przypadkowe lub wynikowe. Zadośćuczynienie sprzedawcy jest ograniczone do naprawy lub wymiany niezgodnych urządzeń lub części.

Produkt i instrukcja obsługi podlegają zmianom. Dane techniczne podlegają zmianom bez uprzedzenia.

1. INSTRUCȚIUNI DE SIGURANȚĂ

Citiți avertizările de siguranță, avertizările de siguranță suplimentare și instrucțiunile. Nerespectarea avertizărilor de siguranță poate cauza producerea de electrocutări, incendii și/sau răniri grave. Păstrați avertizările de siguranță și instrucțiunile pentru referințe viitoare.

În manualul de utilizare sau pe produs se utilizează următoarele simboluri:



Citiți manualul de utilizare.



Indică riscul de rănire personală, pierderea vieții sau deteriorarea sculei în cazul în care nu se respectă instrucțiunile din acest manual.



Nu expuneți la ploaie.



Protejați aparatul împotriva înghețului.



Interdicție: Nu deschideți robinetul înainte de a fi conectat furtunul de aer.



Pericol de electrocutare.



Pericol de arsuri cauzate de suprafețe fierbinți.



Atenție: compresorul ar putea porni automat în caz de oprire și resetare.



Purtați protecții antifonice.



*Nivelul de putere acustică garantat
LWA = 78 dB(A).*



Nu scoateți din uz produsul în containere neadecvate.



Produsul este în conformitate cu standardele de siguranță aplicabile din directivele europene.

REGULI GENERALE DE PROTECȚIA MUNCII



AVERTISMENT! Citiți toate avertizările de siguranță și toate instrucțiunile. Respectarea tuturor instrucțiunilor prezentate în cele ce urmează este obligatorie pentru evitarea

riscurilor de electrocutare, incendiu și/sau de vătămări grave.

Păstrați aceste instrucțiuni.

Termenul "sculă electrică" ce apare în toate avertismentele de mai jos se referă la scula electrică alimentată la priză (prin cablu de alimentare) sau la scula electrică alimentată prin acumulatori (fără cablu de alimentare).

1) Spațiul de lucru

- a) **Mențineți spațiul de lucru curat și bine iluminat.** Spațiile de lucru dezordonate și întunecate predispun la accidente.
- b) **Nu utilizați sculele electrice în medii explozive, ca de exemplu în prezența unor materiale inflamabile cum ar fi lichide, gaze sau praf.** Sculele electrice produc scântei, care pot aprinde praful sau vaporii.
- c) **În timpul lucrului cu o sculă electrică, nu lăsați copiii sau privitorii să se apropie.** Micșorarea atenției vă poate face să pierdeți controlul.

2) Securitatea din punct de vedere electric

- a) **Ștecherile sculelor electrice trebuie să se potrivească în priza de alimentare. Nu modificați ștecherul niciodată și în nici un fel. Nu folosiți ștechere de adaptare pentru sculele electrice cu legare la pământ (împământate).** Ștecherile nemodificate și prizele de alimentare corespunzătoare vor reduce riscul de electrocutare.
- b) **Evitați contactul corporal cu suprafețele împământate, cum ar fi conducte, radiatoare, plite sau frigider.** Există un risc sporit de electrocutare în cazul în care corpul dumneavoastră este legat la pământ.
- c) **Nu expuneți sculele electrice la ploaie sau la umezeală.** În urma intrării apei într-o sculă electrică va crește riscul de electrocutare.
- d) **Nu forțați cablul de alimentare. Nu folosiți niciodată cablul de alimentare pentru transportul, tragerea sau scoaterea din priză a sculei electrice. Țineți cablul de alimentare departe de sursele de căldură, petrol, vârfuri ascuțite sau de piese în mișcare.** Cablurile de alimentare deteriorate sau încălcite duc la creșterea riscului de electrocutare.
- e) **Atunci când folosiți o sculă electrică în exterior, utilizați un prelungitor corespunzător lucrului în exterior.** Utilizarea unui prelungitor corespunzător lucrului în exterior reduce riscul de

electrocutare.

- f) **În cazul în care operarea unei unelte electrice într-un spațiu cu umiditate nu poate fi evitată, utilizați o alimentare cu dispozitiv de protecție la curent rezidual (RCD).** Utilizarea unui dispozitiv RCD reduce riscul electrocutării.

3) Securitatea personală

- a) **Atunci când folosiți o sculă electrică fiți concentrat, fiți atent la ceea ce faceți și acționați conform bunului simț. Nu folosiți o sculă electrică atunci când sunteți sub influența drogurilor, alcoolului sau a medicamentelor.** Un moment de neatenție în timpul utilizării sculelor electrice poate duce la vătămări personale grave.
- b) **Utilizați echipamentul de protecție corporală. Folosiți întotdeauna ochelari de protecție.** Folosirea echipamentelor de protecție conform condițiilor de lucru, ca de exemplu măști de praf, încălțăminte de protecție anti-alunecare, căști de protecție sau antifoane va reduce vătămările personale.
- c) **Evitați pornirea accidentală. Înainte de a introduce scula electrică în priza de alimentare, asigurați-vă că aveți comutatorul de acționare în poziția oPRit (off).** Transportarea uneltelor electrice ținând degetul pe întrerupător sau alimentarea cu tensiune a uneltelor electrice ce au întrerupătorul în poziția pornit înlesnesc producerea.
- d) **Înainte de a pune în funcțiune scula electrică, îndepărtați toate penele sau cheile de reglare.** O cheie sau o pană care au fost lăsate atașate de o parte rotativă a sculei electrice poate duce la vătămări personale.
- e) **Nu vă întindeți pentru a ajunge la punctul de lucru.** Mențineți permanent un contact ferm al piciorului și un echilibru stabil. În acest fel puteți controla mai bine scula electrică în situații neprevăzute.
- f) **Îmbrăcați-vă în mod adecvat. Nu purtați haine largi sau bijuterii. Părul, hainele și mănușile trebuie menținute departe de părțile în mișcare.** Hainele largi, părul și bijuteriile pot fi agățate și prinse de părțile în mișcare.
- g) **Dacă dispozitivele sunt construite pentru a fi conectate la echipamente de extragere și colectare a prafului, asigurați-vă că aceste echipamente sunt conectate și funcționează corect.** Folosirea unor astfel de echipamente poate reduce pericolele legate de praf.

- h) **Nu lăsați ca obișnuința obținută prin utilizarea frecventă a uneltelor să vă permită să deveniți impasibil și să ignorați principiile de siguranță în utilizarea uneltelor.** O acțiune neglijentă poate provoca accidente grave într-o fracțiune de secundă.
- 4) Utilizarea și întreținerea sculei electrice**
- a) **Nu forțați scula electrică. Folosiți scula electrică adecvată operațiunii care trebuie efectuată.** O sculă electrică adecvată își va efectua mai bine și mai în siguranță sarcina deoarece este folosită la parametrii pentru care a fost proiectată.
- b) **Nu folosiți scula electrică în cazul în care comutatorul de acționare nu realizează pornirea și oprirea acesteia.** Orice sculă electrică ce nu poate fi comandată cu ajutorul comutatorului de acționare este periculoasă și trebuie reparată.
- c) **Înainte de a efectua orice fel de reglaje, schimbări ale accesoriilor sau pe perioada depozitării sculelor electrice deconectați ștecherul de la sursa de energie electrică.** Astfel de măsuri preventive reduc riscul de pornire accidentală a sculei electrice.
- d) **Nu depozitați sculele electrice neutilizate la îndemâna copiilor și nu permiteți persoanelor care nu sunt familiare cu sculele electrice sau cu prezentele instrucțiuni să le utilizeze.** Sculele electrice sunt periculoase atunci când sunt utilizate de către persoane neinstruite.
- e) **Întrețineți sculele electrice. Verificați alinierea sau prinderea părților în mișcare, verificați componentele sculei pentru a vă asigura că nu sunt sparte și, de asemenea, verificați orice alte situații care ar putea afecta funcționarea sculei electrice. Dacă scula electrică se defectează, reparați-o înainte de a o refolosi.** Sculele electrice întreținute necorespunzător duc la producerea multor accidente.
- f) **Mențineți sculele așchietoare ascuțite și curate.** Sculele așchietoare întreținute corespunzător, având muchiile tăietoare ascuțite, se înțepenesc mai greu și sunt mai ușor de controlat.
- g) **Utilizați sculele electrice, accesoriile și burghiile etc., în conformitate cu prezentele instrucțiuni și în mod corespunzător tipului de sculă electrică utilizat, ținând seama de condițiile de lucru și de sarcina care trebuie efectuată.** Utilizarea unor scule electrice pentru operații diferite de cele pentru care acestea au fost proiectate poate duce la situații periculoase.
- h) **Țineți mânerul și suprafețele de prindere uscate, curate și lipsite de ulei și unsoare.** Mânere și suprafețele de prindere alunecoase nu permit manipularea și controlul uneltei în de siguranță în situații neașteptate.
- 5) Service**
- a) **Prevedeți repararea uneltei de lucru de către o persoană calificată, folosind exclusiv piese de schimb identice.** Astfel, vă asigurați că este păstrată siguranța uneltei electrice.

INSTRUCȚIUNI SPECIALE PRIVIND SIGURANȚA

- Avertisment! Compresorul poate fi utilizat numai în încăperi adecvate (cu o ventilație bună și o temperatură ambientală de la 5°C la 40°C).
- Verificați dacă rezervorul este complet decomprimat înainte de deșurubarea conexiunilor cu rezervorul.
- Este interzis să se facă găuri în rezervorul de aer comprimat, să se sudeze sau să se deformeze în mod intenționat rezervorul de aer comprimat.
- Nu efectuați nicio acțiune asupra compresorului fără a scoate ștecherul din priză.
- Nu îndreptați jeturile de apă sau jeturile de lichide inflamabile către compresor.
- Nu amplasați obiecte inflamabile lângă compresor.
- Duceți comutatorul (2) în poziția „0” (OPRIT) în timpul perioadei de oprire.
- Nu îndreptați niciodată jetul de aer către persoane sau animale.
- Nu transportați compresorul cu rezervorul presurizat.
- Notă: unele părți ale compresorului, cum ar fi capul și conductele de alimentare, pot atinge temperaturi ridicate. Nu atingeți aceste părți pentru a evita arsurile.
- Transportați compresorul ridicându-l sau folosind mânerul sau prinderile speciale.
- Copiii și animalele trebuie ținute departe de zona de funcționare a mașinii.
- Dacă folosiți compresorul pentru pulverizarea vopselei:
 - a) Nu lucrați în spații închise sau lângă flăcări goale.
 - b) Asigurați-vă că mediul în care veți lucra are o ventilație asigurată.
 - c) Protejați-vă nasul și gura cu o mască dedicată.
- Nu utilizați compresorul atunci când cablul electric sau ștecherul sunt deteriorate și instruiți un

service de asistență autorizat să le înlocuiască cu o piesă originală.

- Când compresorul este așezat pe o suprafață mai înaltă decât podeaua, acesta trebuie fixat pentru a-i preveni căderea în timpul funcționării.
- Nu puneți obiecte sau mâinile în capacele de protecție pentru a evita deteriorarea fizică și defectarea compresorului.
- Nu folosiți compresorul ca obiect contondent pentru a lovi persoane, obiecte sau animale pentru a preveni defectarea gravă.
- Dacă compresorul nu mai este utilizat, scoateți întotdeauna ștecherul din priză.
- Asigurați-vă întotdeauna că furtunurile de aer comprimat sunt utilizate pentru aerul comprimat și au presiune maximă ajustată la cea a compresorului. Nu încercați să reparați furtunul în cazul în care acesta este deteriorat.

INSTRUCȚIUNI DE SIGURANȚĂ PENTRU UTILIZAREA PISTOALELOR CU AER COMPRIMAT

- Compresorul și furtunurile se pot încălzi foarte mult în timpul funcționării. Atingerea acestora poate provoca arsuri.
- Gazele sau vaporii absorbiți prin partea de admisie a compresorului trebuie să fie păstrate libere de amestecuri care ar putea duce la incendii sau explozii în interiorul compresorului.
- Când scoateți cuplajul furtunului, țineți-l întotdeauna ferm pentru a evita rănirea cauzată de expulzarea furtunului.
- Când lucrați cu pistolul de suflare, purtați ochelari de protecție. Corpurile străine și particulele suflate pot provoca răni.
- Nu îndreptați pistolul de suflare spre oameni și nu îl folosiți pentru a curăța hainele pe care le purtați.

Instrucțiuni de siguranță privind alimentarea electrică

Atunci când folosiți aparate electrice, respectați întotdeauna reglementările de siguranță aplicabile în țara dumneavoastră, pentru a reduce riscul de incendii, electrocutare și rănire personală. Citiți următoarele instrucțiuni de siguranță și, de asemenea, instrucțiunile de siguranță atașate.



Verificați întotdeauna ca alimentarea cu energie să corespundă tensiunii de pe plăcuța cu specificații.

Branșarea la rețeaua de alimentare electrică

Verificați dacă sursa de alimentare și mufa utilizate sunt în conformitate cu mașina dvs. Verificați plăcuța tehnică a mașinii. Orice schimbări trebuie efectuate întotdeauna de un electrician calificat.



Atenție! Acest aparat trebuie să fie împământat. Dacă nu este împământat corespunzător, acest aparat poate provoca un șoc electric. Asigurați-vă că priza de alimentare este împământată. Dacă există vreo îndoială, verificați cu un electrician calificat.



Atenție! Evitați contactul cu terminalele de la ștecher atunci când introduceți (scoateți) ștecherul la (din) priza de alimentare. Contactul poate provoca un șoc electric sever.

Înlocuirea cablurilor sau a ștecherelor

Dacă este necesară înlocuirea **cablului de alimentare**, aceasta trebuie realizată de către producător sau agentul său de reparații pentru a preveni afectarea siguranței. Aruncați imediat cablurile sau ștecherile vechi atunci când au fost înlocuite cu altele noi. Este periculos să introduceți ștecherul unui cablu neconectat în priză.

Utilizarea cablurilor prelungitoare

Utilizați doar un cablu prelungitor aprobat adecvat pentru puterea mașinii. Dimensiunea minimă a conductorului este de 1,5 mm². Atunci când utilizați un tambur cu cablu desfășurați întotdeauna complet tamburul.

2. INFORMAȚII CU PRIVIRE LA MAȘINĂ

Domeniul de utilizare

Compresorul este conceput pentru a genera aer comprimat pentru uneltele acționate cu aer comprimat. Acest compresor nu este proiectat pentru funcționare continuă.

SPECIFICAȚII TEHNICE

Nr. model	CR504AC / CR504AC_GREY / CR504AC_WHITE
Tipul compresorului	Piston - fără ulei - zgomot redus

Acționarea compresorului	Acționare directă
Tensiune	220-240V~
Frecvență	50Hz
Putere de intrare	750W
Cai putere	1 CP
Mod de operare	S3 50% *
Viteza de ralanti	1450/min
Clasă IP	IP30
Clasă de protecție	Clasă I
Admisie a aerului	128 l/min
Ieșire (aer comprimat) la 7 bar	42 l/min
Ieșire (aer comprimat) la 4 bar	65 l/min
Presiunea maximă de ieșire	8 bar
Presiunea de cuplare aprox.	6 bar
Presiune de decuplare aprox.	8 bar
Capacitate rezervor	6L
Lungime cablu	2 m
Greutate	16 kg
Nivelul presiunii sonore	$L_{pA} = 79,7 \text{ dB(A)}$ $K_{pA} = 3 \text{ dB(A)}$
Nivelul puterii sonore	$L_{WA} = 92,7 \text{ dB(A)}$ $K_{WA} = 3 \text{ dB(A)}$

* S3 = funcționare intermitentă fără impactul pornirii. Aceasta înseamnă că, pe parcursul unei perioade de 10 minute, timpul maxim de funcționare este de 50% (de exemplu, 5 minute de lucru și 5 minute de odihnă), în condiții de mediu optime (temp. max. 25°C). Respectarea acestor orientări și a intervalelor de întreținere prescrise va permite ca produsul să funcționeze corect în timp.

DESCRIERE

Numerele din text se referă la diagramele de la paginile 2-3.

1. Capac
2. Comutator
3. Presostat
4. Regulator de presiune
5. Cuplur rapid (ieșire)
6. Manometru (presiune de operare)
7. Manometru (presiunea din rezervor)
8. Supapă de siguranță
9. Mâner

10. Conductă de presiune
11. Robinet de scurgere
12. Intrarea aerului
13. Filtru de aer
14. Comutator de suprasarcină
15. Rezervor
16. Picior de cauciuc

3. ASAMBLAREA



Înainte de asamblare, opriți alimentarea electrică a mașinii și deconectați fișa cablului de alimentare de la priza de rețea.

Montarea filtrului de aer (Fig. A, B)

1. Îndepărtați capacul de transport și înlocuiți-le cu filtrul de aer furnizat (13) înainte de a utiliza compresorul.
2. Montați filtrul de aer (13) înșurubând filtrul de aer (13) în sensul acelor de ceasornic în orificiul de admisie a aerului (12), așa cum se arată în figura B.

Instalarea compresorului

- Compresorul trebuie instalat într-un mediu ventilat și uscat.
- Asigurați-vă că compresorul este așezat pe un teren orizontal și stabil.
- Așezați compresorul pe o suprafață plană sau la o înclinație maximă de 10°, într-o zonă bine ventilată, protejată împotriva factorilor atmosferici și nu în medii explozive.
- În cazul în care suprafața este înclinată și netedă, asigurați-vă că compresorul nu se va mișca în timpul funcționării.
- Pentru o ventilație adecvată și o răcire eficientă, este important ca compresorul să fie poziționat cel puțin la 50 cm de orice perete sau obstacol.
- Asigurați-vă că compresorul este transportat în mod corect, nu-l întoarceți cu susul în jos și nu-l ridicați cu cârlige sau cabluri.

4. OPERAREA



Trebuie să asamblați complet compresorul înainte de a-l utiliza pentru prima dată.



Cablurile de alimentare lungi, extensiile, bobinele de cablu etc. determină o scădere a tensiunii și pot împiedica pornirea motorului. Nu utilizați cabluri mai lungi de

10 m. Vonroc vă sfătuiește să folosiți în schimb un furtun de aer mai lung.



Poate fi mai dificil să porniți motorul în condiții de temperaturi sub 5°C.



Ansamblul capului/cilindrului/conductei de transmisie poate atinge temperaturi ridicate, așa că aveți grijă când lucrați în apropierea acestor piese și nu le atingeți pentru a evita arsurile.

Pornirea (Fig. A)

1. Verificați dacă tensiunea de rețea corespunde cu cea indicată pe plăcuța cu specificații electrice.
2. Apăsăți comutatorul PORNIT/OPRIT (2) în poziția „0” pentru a opri compresorul.
3. Introduceți ștecherul în priză.
4. Trageți comutatorul PORNIT/OPRIT (2) în poziția „1” pentru a porni pompa.
5. Funcționarea compresorului este complet automată. Presostatul (3) va opri compresorul atunci când se atinge valoarea maximă și îl va porni atunci când presiunea scade sub valoarea minimă. Presostatul (3) este setat din fabrică. În mod normal, diferența de presiune este de aproximativ 2 bar/29 psi între valoarea maximă și cea minimă. Compresorul se va opri atunci când atinge 8 bar (116 psi) (aceasta este presiunea maximă de funcționare) și va porni automat atunci când presiunea din rezervor va scădea la 6 bar (87 psi).

Conectarea furtunului de aer și a unelei (Fig. A)

1. Rotiți butonul de rotire al regulatorului de presiune (4) în sens invers acelor de ceasornic până când presiunea este complet eliberată.
2. Introduceți conectorul furtunului de aer (neinclus) în cuplorul rapid (5) de pe compresor. Când se împinge, conectorul se fixează în poziție pentru a fixa furtunul de aer.
3. Conectați unealta pneumatică (nu este inclusă) pe care doriți să o utilizați la cuplorul rapid al furtunului de aer.
4. Rotiți butonul de rotire al regulatorului de presiune (4) în sensul acelor de ceasornic, până când manometrul (6) indică nivelul de presiune de care aveți nevoie.
5. Unealta pneumatică este acum gata de utilizare.

Deconectarea furtunului de aer și a sculei (Fig. A)



Când eliberați cuplorul rapid, asigurați-vă că țineți furtunul pentru a vă proteja de rănille cauzate de furtunul de recuperare.

1. Rotiți butonul de rotire al regulatorului de presiune (4) în sens invers acelor de ceasornic până când presiunea este complet eliberată.
2. Reduceți presiunea prin activarea unelei pneumatice (nu este inclusă).
3. Trageți înapoi manșonul de pe cuplajul rapid al furtunului de aer și scoateți scula pneumatică.
4. Trageți înapoi manșonul de pe cuplajul rapid (5) și scoateți furtunul.

Citirea presiunii (Fig. A)

Compresorul are două manometre (6,7). Presiunea din rezervor poate fi citită pe manometrul (7), iar presiunea de funcționare (presiunea reglată) poate fi citită pe manometrul (6). Scara neagră indică presiunea în bar, iar scara roșie indică presiunea în PSI.

Reglarea presiunii de funcționare (Fig. A)



Nu este întotdeauna necesar să se utilizeze presiunea maximă de funcționare. Unelele pneumatice necesită adesea o presiune mai mică. Verificați întotdeauna presiunea de funcționare corectă a sculei pe care intenționați să o utilizați.

În ceea ce privește compresoarele furnizate cu un regulator de presiune (4), este necesar să setați corect presiunea de funcționare. Este posibil să setați presiunea de funcționare cu ajutorul butonului rotativ de pe regulatorul de presiune (4):

- Prin rotirea în sensul acelor de ceasornic, presiunea de funcționare va fi mărită.
- Prin rotirea în sens invers acelor de ceasornic, presiunea de funcționare va fi redusă.

Observație: atunci când nu conectați o unealtă pneumatică în timp ce reglați presiunea, este posibil ca manometrul (6) să nu reacționeze cu exactitate la căderea de presiune.

Comutator de suprasarcină (Fig. A)

Motorul este echipat cu un comutator de supra-sarcină (14). Dacă compresorul se supraîncărcă, comutatorul de supra-sarcină (14) oprește automat echipamentul pentru a proteja compresorul de supraîncălzire. Dacă se declanșează comutatorul

de suprasarcină (14), opriți compresorul cu ajutorul comutatorului PORNIT/OPRIT (2) și așteptați până când compresorul se răcește. Apoi apăsați comutatorul de suprasarcină (14) și reporniți compresorul.

Terminarea operațiunii (Fig. A, C)



Nu atingeți compresorul decât dacă alimentarea cu energie electrică a fost întreruptă timp de cel puțin 10 minute.



Când există riscul de îngheț sau dacă nu folosiți compresorul pentru o perioadă lungă de timp, vă rugăm să depozitați corespunzător compresorul.

1. Asigurați-vă că comutatorul PORNIT/OPRIT (2) se află la „0” (OPRIT).
2. Scoateți ștecherul din priză.
3. Reduceți presiunea din rezervor până la aproximativ 2 bar prin conectarea și activarea unei uneelte pneumatice.
4. Apoi, deschideți încet robinetul de scurgere (11) din partea inferioară a rezervorului. Apa din rezervor (15) se va scurge acum din rezervor (15).
5. Aveți grijă când aerul comprimat se află în rezervor (15), deoarece apa poate ieși cu o anumită forță. Presiunea recomandată max. 1-2 Bar.
6. Îndepărtați unealta pneumatică și furtunul.
7. Curățați și depozitați aparatul (consultați „Întreținerea”).

5. ÎNTREȚINEREA



Înainte de curățare și întreținere, opriți alimentarea electrică a mașinii și deconectați fișa cablului de alimentare de la priza de rețea.



Nu atingeți compresorul decât dacă alimentarea cu energie electrică a fost întreruptă timp de cel puțin 10 minute. Risc de arsuri!



Depresurizați întotdeauna rezervorul înainte de a efectua orice operațiune de curățare și întreținere.

Curățați în mod regulat carcasa mașinii cu o cârpă moale, de preferință după fiecare utilizare. Curățați fantele de aerisire de praf și murdărie. Îndepărtați murdăria persistentă cu o cârpă moale înmuiată în clăbuci de săpun. Nu folosiți solvenți

precum benzină, alcool, amoniac, etc. Astfel de substanțe chimice vor deteriora componentele sintetice.

Golirea rezervorului (Fig. C)



Controlați rezervorul de presiune pentru a vedea dacă nu prezintă semne de rugină și deteriorare de fiecare dată înainte de utilizare. Nu utilizați compresorul cu un vas sub presiune deteriorat sau ruginit.

Aerul comprimat va produce apă în rezervor. Goliți regulat apa din rezervor pentru a preveni coroziunea rezervorului. Depinde de umiditate, dar sfatul este după fiecare utilizare.

1. Reduceți presiunea din rezervor până la aproximativ 2 bari prin conectarea și activarea unei scule pneumatice.
2. Apoi, deschideți încet robinetul de scurgere (11) din partea inferioară a rezervorului. Apa din rezervor se va scurge acum din rezervor.
3. Aveți grijă când aerul comprimat este în rezervor, deoarece apa poate ieși cu o anumită forță. Presiunea recomandată max. 1-2 Bar.

Curățați filtrul de aer (Fig. D)



Se recomandă să demontați filtrul de aspirație la fiecare 50 de ore de funcționare și să curățați elementul filtrant suflându-l cu aer comprimat.



Se recomandă ca elementul filtrant să fie înlocuit cel puțin o dată pe an dacă compresorul funcționează într-un mediu curat; mai des dacă mediul în care se află compresorul este prăfuit. Un filtru de admisie înfundat va scădea dramatic performanța compresorului.

1. Deschideți jumătățile carcasei filtrului de aer. Folosiți aer comprimat la presiune scăzută (aprox. 3 bar) pentru a sufla toate părțile filtrului.
2. Asamblați filtrul în ordine inversă.

DEPOZITARE ȘI PROTECȚIA FAȚĂ DE ÎNGHEȚ

Compresorul și accesoriile care nu sunt complet golite pot fi distruse de îngheț. Goliți complet compresorul și accesoriile și protejați-le împotriva înghețului. Păstrați acest aparat în spații uscate bine ventilate, cu o temperatură care nu va scădea sub +5°C. Atunci când nu este folosit, aparatul tre-

buie să fie depozitat într-un spațiu ferit de accesul copiilor.

Funcționarea deficitară

În cazul în care aparatul nu funcționează corect, mai jos este prezentată o serie de cauze posibile și soluțiile adecvate:

Pierderi de aer

- Pot fi cauzate de o etanșare necorespunzătoare a unei conexiuni.
- Verificați toate conexiunile de aer umezindu-le cu o soluție de apă cu săpun (nu utilizați niciodată soluția în apropierea conexiunilor electrice).
- Când rezervorul este gol și se umple. Utilizatorul ar putea auzi un sunet de șuierat lângă presostat. Acest lucru este normal și se va opri înainte ca compresorul să atingă o presiune de 1,5 bar.
- Verificați dacă robinetul de scurgere (11) este bine închisă.

Compresorul nu pornește

În cazul în care compresorul este dificil de pornit, verificați:

- Dacă tensiunea rețelei corespunde cu cea de pe plăcuța de specificații.
- Dacă se utilizează cabluri electrice de prelungire cu un miez sau o lungime defectuoasă.
- Dacă mediul de operare este prea rece (sub 5°C).
- Dacă există alimentare cu energie electrică (fișă conectată corect, siguranțe magneto-termice neinterupte).

Compresorul nu se oprește

În cazul în care compresorul nu se oprește atunci când presiunea maximă a fost atinsă, se va activa supapa de siguranță a rezervorului. Este necesar să contactați cel mai apropiat serviciu de asistență autorizat pentru reparații.

MEDIU



Aparatele electrice sau electronice deteriorate și/sau defecte trebuie colectate în locurile de reciclare corespunzătoare.

Numai pentru țările din UE

Nu aruncați echipamentele acționate electric împreună cu gunoiul menajer. Conform Indicației europene 2012/19/EU pentru echipamente electrice și electronice uzate și a implementării sale la nivel național, echipamentele acționate electric scoase din uz trebuie colectate separat și evacuate într-o manieră ecologică.

GARANȚIE

Produsele VONROC sunt realizate la cele mai înalte standarde de calitate și sunt garantate în privința materialelor și a manoperei pentru întreaga perioadă de utilizare în garanție, începând cu data achiziției. În cazul în care produsul se defectează în timpul perioadei de utilizare, contactați direct VONROC.

Următoarele circumstanțe sunt excluse de la această garanție:

- Reparațiile sau modificările care realizate sau care s-au încercat a fi efectuate de centre de service neautorizate.
- Uzura în condiții normale.
- Unealta care a fost abuzată, utilizată într-un mod neglijent sau întreținută în mod inadecvat.
- Folosirea unor piese de schimb neoriginale.

Aceasta acoperă garanția companiei, explicită sau implicită. Nu există alte garanții explicite sau implicite care să se extindă dincolo de cele indicate aici, incluzând garanțiile, vandabilitatea sau adecvarea pentru un anumit scop. În nicio situație, VONROC nu este responsabil pentru daunele incidentale sau consecvențiale. Reparațiile efectuate de reprezentant trebuie să fie limitate la reparațiile sau la înlocuirea unităților sau a pieselor neconforme.

Produsul și manualul de utilizare pot suferi modificări. Specificațiile se pot modifica fără notificare prealabilă.

1. INSTRUÇÕES DE SEGURANÇA

Leia os avisos de segurança fornecidos, os avisos de segurança adicionais e as instruções. O não cumprimento dos avisos de segurança e das instruções pode resultar em choque eléctrico, incêndio e/ou ferimentos graves. Guarde os avisos de segurança e as instruções para referência futura.

Os seguintes símbolos são utilizados no manual do utilizador ou no produto:



Leia o manual do utilizador.



Indica o risco de ferimentos, morte ou danos na ferramenta se as instruções indicadas neste manual não forem seguidas.



Não exponha à chuva.



Proteja o equipamento da geada.



Proibição: Só deve abrir a torneira depois de ligar a mangueira de ar.



Risco de choque eléctrico.



Risco de queimaduras causadas por superfícies quentes.



Atenção: o compressor pode ser ligado automaticamente no caso de corte de energia e subsequente reposição.



Use protecção auricular.



Nível de potência sonora garantida LWA = 78 dB(A).



Não elimine o produto em recipientes não adequados.



O produto está em conformidade com as normas de segurança aplicáveis nas directivas europeias.

INSTRUÇÕES GERAIS DE SEGURANÇA



AVISO! Leia todos os avisos de segurança e instruções. O não cumprimento das instruções pode ocasionar choques eléctricos, fogo e/ou ferimentos graves.

Conserve todas as instruções.

Em todos os avisos abaixo indicados o termo “Ferramenta Mecânica” refere-se à fonte de alimentação: com cabo ou com bateria.

1) Área de Trabalho

- Mantenha a área de trabalho limpa e iluminada.** Zonas escuras e desordenadas promovem acidentes.
- Não trabalhe com ferramentas mecânicas em atmosferas com características explosivas, tais como as que tenham presença de líquidos inflamáveis, gases ou pó.** As ferramentas mecânicas fazem faíscas que podem inflamar o pó ou os gases.
- Mantenha as crianças e desconhecidos afastados enquanto estiver a trabalhar com a ferramenta mecânica.** Distacções podem ocasionar a perda de controlo.

2) Segurança Eléctrica

- As fichas das ferramentas mecânicas devem coincidir com a tomada. Nunca modifique a ficha de qualquer forma. Não utilize fichas de adaptação com ligação à terra.** Utilize as fichas originais que combinem com as tomadas, reduzirão o risco de choque eléctrico.
- Evite o contacto com superfícies ligadas à terra tais como: radiadores e refrigeradores.** O risco de choque eléctrico aumenta se o seu corpo estiver em contacto com a terra.
- Não exponha as ferramentas mecânicas à chuva ou a ambientes de humidade.** O risco de choque eléctrico aumenta com a entrada de água na ferramenta eléctrica.
- Não danifique o cabo eléctrico. Nunca utilize o cordão para transportar, puxar ou desligar a ferramenta mecânica. Mantenha o cordão afastado do calor, óleo, objectos cortantes ou peças móveis.** O risco de choque eléctrico aumenta com cabos danificados e emaranhados.
- Quando trabalhar com a ferramenta na rua, utilize uma extensão adequada para exterior.** O uso de uma extensão de exterior diminui o risco de choque eléctrico.
- Se não for possível evitar trabalhar com uma ferramenta eléctrica num local húmido, utilize uma fonte de alimentação protegida por um dispositivo de corrente residual (DCR).** A utilização de um DCR reduz o risco de choque eléctrico.

3) Segurança de Pessoal

- a) **Mantenha-se alerta, observe o que está a fazer e utilize sentido comum quando trabalhar com a ferramenta mecânica. Não utilize a ferramenta quando estiver cansado, sobre a acção de medicação, drogas ou álcool.** Um momento de distração poderá originar sérios ferimentos.
- b) **Use equipamento de protecção pessoal. Use protecção para os olhos.** Utilize sempre equipamento de segurança, tal como: chapéu duro, sapatos antiderrapantes, máscara de pó, protecção para o ruído; diminuirá o risco de acidente.
- c) **Evite accionamentos acidentais. Coloque o botão sempre na posição de OFF antes de ligar a ficha. Evite iniciar a ferramenta acidentalmente.** O transporte de ferramentas eléctricas com o dedo colocado no interruptor ou a ligação à corrente das ferramentas eléctricas com o interruptor ligado pode dar origem a acidentes.
- d) **Retire qualquer chave de ajuste antes de ligar a ferramenta.** Deixar uma chave junto a zona de rotação da ferramenta pode causar acidentes.
- e) **Mantenha-se equilibrado e com os pés bem assentes.** Evitará situações imprevistas.
- f) **Vista-se convenientemente. Não utilize roupa larga ou jóias. Mantenha o cabelo, roupa e luvas fora do alcance das peças que se movem.** Roupa larga, jóias, e cabelo comprido podem emaranhar-se nas peças da ferramenta mecânica.
- g) **Se existirem dispositivos para a extracção e recolha de pó, assegure-se que estes estão ligados correctamente.** O uso destes dispositivos pode reduzir o perigo relacionados com a poeira.
- h) **Não permita que a familiaridade obtida através do uso frequente de ferramentas faça com que seja complacente e ignore os princípios de segurança da ferramenta.** Uma acção irreflectida pode causar ferimentos graves numa fracção de segundos.

4) Utilização e manutenção da ferramenta mecânica

- a) **Não force a ferramenta mecânica. Utilize a ferramenta mecânica adequada a cada trabalho.** A escolha da ferramenta correcta produz um trabalho mais perfeito de acordo com a sua utilidade.
- b) **Não utilize a ferramenta mecânica se o botão não se ligar On e Off.** Deve reparar o botão em caso de avaria pois é muito perigoso.

- c) **Desligue a ficha da fonte antes de fazer qualquer ajuste, tais como: mudar de acessórios ou guardar a ferramenta.** Estas medidas evitaram a possibilidade de iniciar a ferramenta por acidente.
- d) **Armazene a ferramenta mecânica sempre desligada, fora do alcance de crianças, e não permita que se aproximem pessoas desconhecidas da sua utilização.** Ferramentas mecânicas são perigosas nas mãos de estranhos.
- e) **Manutenção da ferramenta mecânica. Verifique se existe: algum desalinhamento ou emperramento das peças moventes, envelhecimento das peças ou qualquer outra situação que possa alterar o funcionamento de máquina. Em caso de deficiências repare a ferramenta antes de a utilizar.** Muitos acidentes são causados por falta de manutenção.
- f) **Mantenha as zonas de corte afiadas e limpas.** Esta atitude evitará a fricção das ferramentas cortantes.
- g) **Utilize a ferramenta e os acessórios, etc., de acordo com as instruções dadas. De forma a ter em conta o tipo de ferramenta mecânica, as condições de trabalho e o trabalho desejado.** A utilização da ferramenta mecânica para outros fins os que não aqui indicados, pode induzir em situações de perigo.
- h) **Mantenha as pegas e as superfícies de fixação secas, limpas e sem óleo e gordura.** As pegas escorregadias e as superfícies de fixação não permitam o manuseamento seguro e o controlo da ferramenta em situações imprevistas.

5) Assistência

- a) **A sua ferramenta eléctrica só deve ser reparada por pessoal qualificado e só devem ser utilizadas peças sobressalentes originais.** Desta forma, é garantida a segurança da ferramenta eléctrica.

INSTRUÇÕES ESPECÍFICAS DE SEGURANÇA

- **Aviso!** O compressor só pode ser utilizado em salas adequadas (com ventilação adequada e a uma temperatura ambiente que se situe entre 5 °C e +40 °C).
- Verifique se o tanque está totalmente descomprimido antes das ligações ao tanque serem desapertadas.
- É proibido fazer furos, soldadura ou distorcer

- propositadamente o tanque de ar comprimido.
- Antes de efectuar quaisquer acções no compressor, retire a ficha da tomada de parede.
 - Não aponte jactos de água ou jactos de líquidos inflamáveis ao compressor.
 - Não coloque objectos inflamáveis perto do compressor.
 - Coloque o interruptor (2) na posição “0” (Desligado) durante o período de espera.
 - Nunca aponte o jacto de ar para pessoas ou animais.
 - Não transporte o compressor com o tanque pressurizado.
 - Nota: algumas partes do compressor, como a cabeça e os tubos de passagem, podem atingir temperaturas elevadas. Não toque nestas peças para evitar queimaduras.
 - Para transportar o compressor, levante-o ou utilize as pegas ou cabos especiais.
 - As crianças e os animais devem ser mantidos afastados da área de funcionamento da máquina.
 - Se utilizar o compressor para pulverizar tinta:
 - a) Não trabalhe em espaços confinados ou perto de chamas livres.
 - b) Assegure-se de que o ambiente no qual está a trabalhar tem uma ventilação adequada.
 - c) Proteja o nariz e a boca com uma máscara específica.
 - Não utilize o compressor se o cabo eléctrico ou a ficha estiverem danificados e peça ao centro de assistência autorizado para substituí-lo por uma peça original.
 - Se colocar o compressor numa superfície mais elevada do que o chão, deve ser protegido para evitar que caia durante o funcionamento.
 - Não coloque objectos ou as mãos dentro das coberturas de protecção para evitar ferimentos e danos no compressor.
 - Não utilize o compressor como objecto contra pessoas, objectos ou animais para evitar ferimentos graves.
 - Se o compressor já não estiver a ser utilizado, retire sempre a ficha da tomada de parede.
 - Assegure-se sempre de que as mangueiras de ar comprimido são utilizadas para ar comprimido e que têm uma pressão máxima ajustada à do compressor. Não repare a mangueira se apresentar danos.

INSTRUÇÕES DE SEGURANÇA PARA TRABALHAR COM PISTOLAS DE AR COMPRIMIDO

- O compressor e as mangueiras podem ficar muito quentes durante o funcionamento. Se tocar nestes, pode sofrer queimaduras.
- Os gases ou vapores aspirados pela admissão do compressor não devem ter misturas, porque podem causar um incêndio ou uma explosão no interior do compressor.
- Quando retirar o acoplamento da mangueira, segure-o sempre com firmeza para evitar ferimentos causados pela projecção da mangueira.
- Use óculos quando trabalhar com a pistola de ar comprimido. Os corpos estranhos e as partículas projectadas podem causar ferimentos facilmente.
- Não aponte a pistola de ar comprimido nem utilize-a para limpar roupa que esteja a usar.

Segurança eléctrica

Quando utilizar máquinas eléctricas, cumpra sempre os regulamentos de segurança aplicáveis ao seu país para reduzir o risco de incêndio, choque eléctrico e ferimentos. Leia as seguintes instruções de segurança, assim como as instruções de segurança fornecidas.



Verifique sempre se a fonte de alimentação corresponde à tensão na placa sinalética.

Ligação à fonte de alimentação

Verifique se a fonte de alimentação e a ficha são utilizadas de acordo com a sua máquina. Consultar a placa sinalética na máquina. Quaisquer alterações devem ser sempre efectuadas por um electricista qualificado.



Aviso! Esta máquina deve ter ligação à terra. Se não estiver ligada à terra correctamente, esta máquina pode causar um choque eléctrico. A saída da fonte de alimentação está ligada à terra. Se tiver alguma dúvida, entre em contacto com um electricista qualificado.



Aviso! Evite o contacto com os terminais na ficha quando instalar (ou retirar) a ficha da tomada de alimentação. O contacto causa um choque eléctrico grave.

Substituir cabos ou fichas

Se for necessário substituir o **cabo de alimentação**, isto deve ser efectuado pelo fabricante ou pelo respectivo agente para evitar situações de risco. Deite fora de imediato cabos e fichas antigas que tenham sido substituídos por novos. É perigoso inserir a ficha de um cabo solto numa tomada de parede.

Utilizar extensões

Utilize apenas as extensões aprovadas que sejam adequadas para a entrada de alimentação da máquina. O tamanho mínimo do condutor é de 1,5 mm². Quando utilizar um enrolador de cabos, desenrole sempre o enrolador por completo.

2. INFORMAÇÕES SOBRE A MÁQUINA

Utilização pretendida

O compressor é concebido para gerar ar comprimido para ferramentas alimentadas a ar comprimido. Este compressor não é concebido para funcionamento contínuo.

ESPECIFICAÇÕES TÉCNICAS

Nº do modelo	CR504AC / CR504AC_CINZENTO / CR504AC_BRANCO
Tipo de compressor	Pistão - sem óleo - baixo ruído
Transmissão do compressor	Transmissão directa
Tensão	220 - 240 V ~
Frequência	50 Hz
Potência de entrada	750 W
Cavalos-vapor	1 CV
Modo de funcionamento	S3 50 % *
Velocidade sem carga	1450/min
Classe IP	IP30
Classe de protecção	Classe I
Admissão de ar	128 l/min
Saída (ar comprimido) a 7 bar	42 l/min
Saída (ar comprimido) a 4 bar	65 l/min
Pressão máx. de saída	8 bar
Pressão aprox. de conjugação	6 bar
Pressão aprox. de disjunção	8 bar

Capacidade do tanque	6 l
Comprimento do cabo	2 m
Peso	16 kg
Nível de pressão acústica	$L_{pA} = 79,7 \text{ dB(A)}$ $K_{pA} = 3 \text{ dB(A)}$
Nível de potência acústica	$L_{WA} = 92,7 \text{ dB(A)}$ $K_{WA} = 3 \text{ dB(A)}$

* S3 = funcionamento intermitente sem o impacto do arranque. Isto significa que durante um período de 10 minutos, o tempo máximo de funcionamento é 50 % (por exemplo, 5 minutos de funcionamento e 5 minutos de pausa), em condições ambientais ideais (temp. máx.: 25 °C). O respeito destas directrizes e os intervalos de manutenção indicados permitem um funcionamento correcto do produto ao longo do tempo.

DESCRIÇÃO

Os números indicados no texto dizem respeito aos diagramas nas páginas 2 e 3.

1. Tampa
2. Gatilho
3. Pressóstato
4. Regulador de pressão
5. Acoplador rápido (saída)
6. Pressóstato (pressão de funcionamento)
7. Pressóstato (pressão no tanque)
8. Válvula de segurança
9. Pega
10. Tubo de pressão
11. Torneira de purga
12. Entrada de ar
13. Filtro de ar
14. Interruptor de sobrecarga
15. Tanque
16. Pés de borracha

3. MONTAGEM



Antes de efectuar a montagem, desligue sempre a máquina e retire a ficha da tomada de corrente.

Montar o filtro de ar (Fig. A, B)

1. Retire a tampa de transporte e substitua-os pelo filtro de ar fornecido (13) antes de utilizar o compressor.

- Monte o filtro de ar (13), apertando o filtro de ar (13) para a direita na entrada de ar (12), como indicado na Figura B.

Instalar o compressor

- O compressor deve ser instalado num ambiente seco e ventilado.
- Assegure-se de que o compressor é colocado num local horizontal e estável.
- Coloque o compressor numa superfície plana ou num local com um ângulo máximo de 10°, numa área bem ventilada, protegida de factores atmosféricos, não devendo colocá-lo num local explosivo.
- Se a área da superfície for inclinada e macia, assegure-se de que o compressor não se move durante o funcionamento.
- Para proporcionar uma ventilação adequada e um arrefecimento eficiente, é importante que o compressor esteja posicionado a pelo menos 50 cm de distância de qualquer parede ou obstáculo.
- Assegure-se de que o compressor é transportado correctamente, não o vire ao contrário e não use ganchos ou cordas para levantá-lo.

4. FUNCIONAMENTO



Deve montar o compressor por completo antes de utilizá-lo pela primeira vez.



Cabos de alimentação compridos, extensões, enroladores de cabos, etc., causam queda de tensão e podem impedir o arranque do motor. Não utilize cabos de comprimento superior a 10 m. Em vez disso, a Vonroc aconselha a utilização de uma mangueira de ar mais comprida.



Pode ser mais difícil ligar o motor se a temperatura for inferior a 5 °C.



O conjunto da cabeça/cilindro/tubo de transmissão pode atingir temperaturas elevadas, por isso tenha cuidado quando trabalhar perto destas peças, não devendo tocar-lhes para evitar queimaduras.

Arranque (Fig. A)

- Verifique se a tensão de rede corresponde à indicada na placa de especificações eléctricas.
- Coloque o interruptor para ligar/desligar (2) na posição "0" para desligar o compressor.
- Coloque a ficha na tomada.
- Coloque o interruptor para ligar/desligar (2) na posição "1" para ligar o compressor.
- O funcionamento do compressor é totalmente automático. O pressóstato (3) pára o compressor quando é atingido o valor máximo e liga-o quando a pressão é inferior ao valor mínimo. O pressóstato (3) é regulado na fábrica. Normalmente, a diferença de pressão varia cerca de 2 bar/29 psi entre o valor máximo e o valor mínimo. O compressor pára quando atinge 8 bar (116 psi) (esta é a pressão máxima de funcionamento) e é iniciada automaticamente quando a pressão no tanque diminui para 6 bar (87 psi).

Ligar a mangueira de ar e a ferramenta (Fig. A)

- Ligue o regulador de pressão (4), rodando o botão para a esquerda até a pressão ser libertada por completo.
- Insira o conector da mangueira de ar (não incluído) no acoplador rápido (5) no compressor. Quando empurra, o conector encaixa no respectivo local para fixar a mangueira de ar.
- Ligue a ferramenta pneumática (não incluída) que pretende utilizar no acoplador rápido da mangueira de ar.
- Ligue o regulador de pressão (4), rodando o botão para a direita, até o pressóstato (6) mostrar o nível de pressão necessário.
- A sua ferramenta pneumática está pronta a ser utilizada.

Desligar a mangueira de ar e a ferramenta (Fig. A)



Quando libertar o acoplador rápido, segure a mangueira para proteger-se de ferimentos causados pelo ricochete da mangueira.

- Ligue o regulador de pressão (4), rodando o botão para a esquerda até a pressão ser libertada por completo.
- Active a ferramenta pneumática (não incluída) para reduzir a pressão.
- Puxe a manga no acoplador rápido da mangueira de ar e retire a ferramenta pneumática.
- Puxe a manga no acoplador rápido (5) e retire a mangueira.

Ler a pressão (Fig. A)

O compressor tem dois pressóstatos (6,7). A pressão do tanque pode ser lida no pressóstato (7) e a pressão de funcionamento (pressão regulada) pode ser lida no pressóstato (6). A escala preta indica a pressão em bar e a escala vermelha indica a pressão em PSI.

Regular a pressão de funcionamento (Fig. A)

Nem sempre é necessário utilizar a pressão máxima de funcionamento. As ferramentas pneumáticas requerem, frequentemente, menos pressão. Verifique sempre a pressão de funcionamento correcta da ferramenta que pretende utilizar.

No que respeita aos compressores fornecidos com um regulador de pressão (4), é necessário regular a pressão de funcionamento correctamente. É possível regular a pressão de funcionamento rodando o botão no regulador de pressão (4):

- Se rodá-lo para a direita, a pressão de funcionamento aumenta.
- Se rodá-lo para a esquerda, a pressão de funcionamento diminui.

Nota: se não ligar uma ferramenta pneumática enquanto ajustar a pressão, o pressóstato (6) pode não reagir com rigor à queda de pressão.

Interruptor de sobrecarga (Fig. A)

O motor está equipado com um interruptor de sobrecarga (14). Se o compressor sobrecarregar, o interruptor de sobrecarga (14) desliga o equipamento automaticamente para proteger o compressor de sobreaquecimento. Se o interruptor de sobrecarga (14) for accionado, desligue o compressor através do interruptor para ligar/desligar (2) e aguarde até o compressor arrefecer. Em seguida, carregue no interruptor de sobrecarga (14) e reinicie o compressor.

Terminar o funcionamento (Fig. A, C)

Só deve tocar no compressor depois da potência ser desligada há pelo menos 10 minutos.



Se houver o risco de geada ou se não utilizar o compressor durante um período prolongado, armazene o compressor correctamente.

1. Verifique se o interruptor para ligar/desligar (2) está na posição "0".
2. Retire a ficha da tomada de rede.
3. Reduza a pressão no tanque até cerca de 2 bar, ligando e activando uma ferramenta pneumática.
4. Em seguida, rode lentamente a torneira de purga (11) no lado inferior do tanque aberto. A água no tanque (15) começa a sair do tanque (15).
5. Quando o ar comprimido estiver dentro do depósito (15), tenha cuidado porque a água pode sair com alguma força. Pressão máx. recomendada: 1-2 bar.
6. Retire a ferramenta pneumática e a mangueira.
7. Limpe e armazene o dispositivo (consulte "Manutenção").

5. MANUTENÇÃO

Antes de efectuar a limpeza e a manutenção, desligue sempre a máquina e retire a ficha da tomada de corrente.



Só deve tocar no compressor depois da potência ser desligada há pelo menos 10 minutos. Risco de queimaduras!



Despressurize sempre o tanque antes de efectuar quaisquer tarefas de limpeza e manutenção.

Limpe a carcaça da máquina com regularidade com um pano macio, de preferência após cada utilização. Certifique-se de que as aberturas de ventilação não têm pó ou sujidade. Retire a sujidade muito persistente com um pano macio humedecido com água de sabão. Não utilize solventes, como gasolina, álcool, amoníaco, etc. Este tipo de produtos químicos danificam os componentes sintéticos.

Drenar o tanque (Fig. C)

Verifique sempre se o tanque de pressão apresenta sinais de ferrugem e danos antes de utilizá-lo. Não utilize o compressor com um recipiente de pressão danificado ou enferrujado.

A compressão do ar causa a acumulação de água no tanque. Drene a água com regularidade do tanque para evitar corrosão. Varia consoante o nível de humidade, mas é aconselhável drená-lo após cada utilização.

1. Reduza a pressão no tanque até cerca de 2 bar, ligando e activando uma ferramenta pneumática.
2. Em seguida, rode lentamente a torneira de purga (11) no lado inferior do tanque aberto. A água no tanque começa a sair do tanque
3. Quando o ar comprimido estiver dentro do depósito tenha cuidado porque a água pode sair com alguma força. Pressão máx. recomendada: 1-2 bar.

Limpar o filtro de ar (Fig. D)



É recomendável desmontar o filtro de aspiração a cada 50 horas de funcionamento e limpar o elemento filtrante, soprando-o com ar comprimido.



É recomendável que o elemento filtrante seja substituído pelo menos uma vez se o compressor for utilizado num ambiente limpo. Deve substituí-lo com maior frequência se o ambiente no qual o compressor estiver num local com poeira. Um filtro de admissão obstruído reduz consideravelmente o desempenho do compressor.

1. Abra as metades da caixa do filtro de ar. Utilize o ar comprimido a uma pressão reduzida (cerca de 3 bar) para soprar todas as peças do filtro
2. Monte o filtro pela ordem inversa.

ARMAZENAMENTO E PROTECÇÃO CONTRA A GEADA

O compressor e os acessórios que não forem drenados por completo podem ser destruídos pela geada. Drene o compressor e os acessórios e proteja-os da geada. Mantenha este equipamento num local seco e bem ventilado a uma temperatura não inferior a +5 °C. Quando não utilizar o equipamento, mantenha-o armazenado num local seguro afastado do alcance de crianças.

Avaria

Se a máquina não funcionar correctamente, são indicadas abaixo várias causas possíveis e soluções adequadas:

Perda de ar

- Pode ser causado por uma fraca vedação de uma ligação.
- Verifique todas as ligações pneumática, molhando-as com uma solução de água com

sabão (nunca utilize a solução perto de ligações eléctricas).

- Quando o tanque estiver vazio e a ser enchido. O utilizador pode ouvir um crepitar do pressóstato. Isto é normal é pára antes do compressor atingir uma pressão de 1,5 bar.
- Verifique se a torneira de purga (11) está bem fechada.

O compressor não liga

Se tiver dificuldade em iniciar o compressor, verifique o seguinte:

- Se a tensão da rede corresponder à tensão na placa de especificações.
- Se as extensões eléctricas estiverem a ser utilizadas com um centro ou um comprimento defeituoso.
- Se o ambiente de funcionamento for demasiado frio (inferior a 5 °C).
- Se o fornecimento de electricidade (ficha ligada correctamente, fusíveis magnetotérmicos).

O compressor não se desliga

Se o compressor não se desligar quando a pressão máxima for atingida, a válvula de segurança vai ser activada. É necessário contactar o serviço de assistência autorizado mais próximo para efectuar a reparação.

AMBIENTE



Os equipamentos eléctricos ou electrónicos defeituosos e/ou eliminados devem ser recolhidos em locais de reciclagem adequados.

Apenas para os países da UE

Não elimine as ferramentas eléctricas em conjunto com os resíduos domésticos. De acordo com a directiva europeia 2012/19/EU sobre resíduos de equipamentos eléctricos e electrónicos e a respectiva implementação na legislação nacional, as ferramentas eléctricas que já não sejam utilizadas devem ser recolhidas em separado e eliminadas de maneira ecológica.

GARANTIA

Os produtos da VONROC são desenvolvidos de acordo com os padrões de qualidade mais elevados e não apresentam quaisquer defeitos em

termos de materiais e mão-de-obra em relação ao período estipulado por lei, cujo início é a partir da data de compra original. Se o produto apresentar qualquer falha durante este período devido a qualquer defeito de material e/ou de mão-de-obra, contacte a VONROC directamente.

As seguintes circunstâncias estão excluídas desta garantia:

- Se forem efectuadas ou tentadas quaisquer reparações e/ou alterações na máquina por centros de assistência não autorizados;
- Desgaste normal;
- Se a ferramenta foi utilizada de maneira abusiva, indevida ou a manutenção for efectuada de maneira incorrecta;
- Se forem utilizadas peças sobresselentes não originais.

Isto constitui a única garantia feita pela empresa, de maneira expressa ou implícita. Não existem quaisquer outras garantias expressas ou implícitas que se prolonguem, incluindo as garantias implícitas de comercialização e adequação para fins específicos. A VONROC não será, em nenhuma circunstância, responsável por danos incidentais ou indirectos. Os fornecedores devem estar limitados a reparar ou substituir as unidades ou peças que não estejam em conformidade.

O equipamento e o manual do utilizador estão sujeitos a alterações sem aviso prévio. As especificações podem ser alteradas sem aviso prévio.

1. BIZTONSÁGI UTASÍTÁSOK

Olvasa el az összes mellékelt biztonsági figyelmeztetést. A figyelmeztetések és utasítások be nem tartása áramütéshez, tűz keletkezéséhez vagy akár súlyos személyi sérüléshez vezethet. Őrizze meg a biztonsági figyelmeztetéseket és utasításokat későbbre is.

A használati útmutatóban és a terméken a következő jelölésekkel találkozhat:



Olvasa el a használati útmutatót.



Jelzi a személyi sérülések, az életveszély vagy a szerszám károsodásának veszélyét.



Esőtől védje.



Óvja a készüléket a fagytól.



Tiltás: A levegőtömlő csatlakoztatása előtt ne nyissa ki a csapot.



Áramütés veszélye.



Forró felületek által okozott égési sérülések veszélye.



Figyelem: áramszünet és az azt követő visszaállítás esetén a kompresszor automatikusan elindulhat.



Használjon hallásvédelmet.



A garantált hangteljesítményszint LWA = 78 dB(A).



A terméket hulladékként ne tegye arra nem alkalmas konténerbe.



A termék megfelel az európai irányelvek rá vonatkozó biztonsági követelményeinek.

ÁLTALÁNOS BIZTONSÁGI SZABÁLYOK



FIGYELMEZTETÉS! Olvasa el az összes biztonsági figyelmeztetést és utasítást.

Az alábbi utasítások be nem tartása áramütéshez, tűzhez és /vagy súlyos sérülésekhez vezethet.

Tartsa meg az utasításokat!

Az alábbi figyelmeztetésekben szereplő “szerszám-gép” elnevezés minden, az Ön által hálózatról működtetett (vezetékes) vagy akkumulátoros (vezeték nélküli) szerszámgépre vonatkozik.

1) Munkaterület

- a) **A munkaterület legyen tiszta és jól megvilágított.** A zsúfolt és sötét helyek növelik a balesetek kockázatát.
- b) **Ne működtessen szerszámgépet robbanásveszélyes környezetben, azaz gyúlékony folyadékok, gázok vagy por közelében.** A szerszámgépek működése során szikrák keletkeznek, ami meggyújthatja a gőzöket vagy port.
- c) **A szerszámgép működtetése során tartsa távol a gyermekeket és más személyeket.** Figyelmének megosztása balesethez vezethet.

2) Elektromos biztonság

- a) **A szerszámgéphez megfelelő csatlakozóaljzatot kell használni. Soha ne módosítsa a hálózati csatlakozót semmilyen módon. Ne használjon csatlakozó-adaptert a földelt szerszámgépekkel.** A módosítatlan csatlakozók és megfelelő csatlakozóaljzatok csökkentik az áramütés kockázatát.
- b) **Kerülje teste érintkezését földelt tárgyakkal, például csövekkel, radiátorokkal, tűzhelyekkel és hűtőszekrényekkel.** Az áramütés kockázata nagyobb, ha teste földelve van, vagy földelt tárggyal érintkezik.
- c) **Ne tegye ki a szerszámgépeket esőnek vagy nedves környezetnek.** A szerszámgépbe kerülő víz növeli az áramütés kockázatát.
- d) **Ne terhelje a vezetéket. Soha ne használja a vezetéket a szerszámgép hordozására, húzására, vagy a csatlakozó kihúzására az aljzataból. Óvja a vezetéket a hőtől, olajtól, éles szélektől és mozgó alkatrészekről.** A sérült vagy összegubancolódott vezetékek növelik az áramütés kockázatát.
- e) **Ha a szabadban használja a szerszámgépet, használjon kültéri használatnak megfelelő hosszabbítót.** A kültéri használatnak megfelelő hosszabbító használata csökkenti az áramütés kockázatát.
- f) **Ha az elektromos szerszámot mindenképp nedves/páras környezetben kell használni, mert ezt nem lehet megelőzni, akkor használjon FI relét.** Az FI relé használata csökkenti az elektromos áramütés kockázatát.

3) Személyi biztonság

- a) **Legyen figyelmes, ügyeljen a munkára és használja józan esmét a szerszámgép működtetése során. Ne használja a szerszámgét, ha fáradt vagy drogok, alkohol illetve gyógyszerek hatása alatt van.** Egy pillanatnyi figyelmetlenség a szerszámgép használata során súlyos sérüléseket okozhat.
 - b) **Viseljen személyes védőfelszerelést. Mindig viseljen szemvédőt.** A feltételeknek megfelelő védőfelszerelés, pl. pormaszok, csúszásgátló biztonsági cipő, sisak, vagy hallásvédő használata csökkenti a személyi sérülések kockázatát.
 - c) **Előzze meg az akaratlan, véletlen elindítást! a csatlakoztatás előtt ellenőrizze, hogy a kapcsoló “ki” állásban legyen.** Ha az ujját a szállított elektromos szerszám kapcsolóján tartja, ill. ha a szállított elektromos szerszám kapcsolója bekapcsolt állapotban van, akkor azzal könnyen balesetet okozhat.
 - d) **Távolítson el minden beállító kulcsot és csavar-kulcsot a szerszámgép bekapcsolása előtt.** A szerszámgép forgó alkatrészeiben maradt kulcs vagy csavarkulcs személyi sérülést okozhat.
 - e) **Ne nyújtózkodjon. Mindig őrizze meg szilárd pozícióját és egyensúlyát.** Ez váratlan helyzetekben is megkönnyíti a szerszámgép irányítását.
 - f) **Öltözzön megfelelően. Ne viseljen laza ruhát vagy ékszereket.** Tartsa haját, kesztyűjét és ruházatát távol a mozgó alkatrészekről. A laza ruházat, haj, vagy ékszerek beakadhatnak a mozgó részek közé.
 - g) **Ha a készülék rendelkezik csatlakozással porszívó és -gyűjtő eszközök csatlakoztatásához, ügyeljen ezek megfelelő csatlakoztatására és használatára.** E készülékek használata csökkenti a por okozta kockázatokat.
 - h) **Ne engedje, hogy a szerszámok gyakori használata során szerzett tapasztalatai túlzott biztonságérzetet keltsenek Önben, és amiatt elhanyagolja a biztonsági alapelveket.** Gondatlan cselekvés már a másodperc töredéke alatt is súlyos sérülést okozhat.
- 4) A szerszámgép használata és karbantartása**
- a) **Ne erőltesse a szerszámgépet. Használjon az alkalmazásnak megfelelő szerszámgépet.** A megfelelő szerszámgép biztonságosabban és jobban működik, ha a rendeltetésének megfelelő sebességen használja.

- b) **Ne használja a szerszámgépet, ha a kapcsolója nem működik.** Ha a szerszámgép nem vezérelhető a kapcsolóval, veszélyes, és meg kell javítani.
- c) **Mindig húzza ki a csatlakozót a csatlakozóaljzatból beállítások, tartozékcsere vagy a szerszámgép tárolása előtt.** Ez a megelőző biztonsági intézkedés megelőzi a készülék véletlen bekapcsolását.
- d) **Tartsa a szerszámgépet gyermekektől elzárva és ne engedje, hogy a szerszámgép kezelésében járatlan, vagy az ezeket az utasításokat nem ismerő személyek működtessék a szerszámgépet.** A gyakorlatlan felhasználó kezében a szerszámgépek veszélyesek.
- e) **Tartsa karban a szerszámgépeket. Ellenőrizze, nem mozdultak-e el, vagy nem akadnak-e a mozgó alkatrészek, nincsenek-e törött alkatrészek, vagy más, a gép működését befolyásoló tényezők. Javítsa meg a szerszámgépet, ha az károsodott, mielőtt újra használná.** Számos balesetet a rosszul karbantartott szerszámgépek okoznak.
- f) **Tartsa tisztán és élesen a vágóeszközöket.** A megfelelően karbantartott, éles vágóeszközök kisebb eséllyel akadnak meg, és könnyebben irányíthatók.
- g) **Használja a szerszámgépet, tartozékokat, szerszámfejeket, stb., ezen utasításoknak megfelelően és az adott szerszámgép típusának megfelelően, figyelembe véve a munkakörülményeket és az elvégzendő munkát.** A szerszámgépek rendeltetésüktől eltérő használata kockázatos helyzetekhez vezethet.
- h) **Tartsa a fogantyúkat és egyéb markolási felületeket szárazon, tisztán, olajtól és zsírtól mentesen.** Váratlan helyzetekben a csúszós fogantyúk és egyéb markolási felületek akadályozzák a szerszám biztonságos kezelését és irányítását.
- 5) Szerviz**
- a) **Elektromos szerszámát kizárólag szakemberrel javítsa, a javításhoz csak identikus cserealkatrészeket használjanak.** Az elektromos szerszám biztonságát csak így garantálhatja.

SPECIÁLIS BIZTONSÁGI ÚTMUTATÁSOK

- Figyelmeztetés! A kompresszor csak megfelelő helyiségekben használható (jó szellőzéssel, 5 °C és +40 °C közötti környezeti hőmérséklettel).
- A tartály csatlakozásainak kicsavarozása előtt ellenőrizze, hogy a tartályt teljes mértékben nyomásmentesítették-e.
- Tilos lyukakat fúrni, hegesztéseket készíteni a sűrítettlevegő-tartályba, vagy szándékosan deformálni azt.
- Ne végezzen semmilyen műveletet a kompresszoron anélkül, hogy előtte a kábelt kihúzza volna a csatlakozóaljzatból.
- Ne irányítson a kompresszorra vízsugarat vagy gyúlékony folyadéksugarat.
- Ne helyezzen gyúlékony tárgyakat a kompresszor közelébe.
- A leállási idő alatt kapcsolja a kapcsolót (2) „0” állásba (KI).
- Soha ne irányítsa a légsugarat személyekre vagy állatokra.
- Ne szállítsa a kompresszort nyomás alatt lévő tartállyal.
- Megjegyzés: a kompresszor egyes részei, például a fej és a átvezető csövek magas hőmérsékletet érhetnek el. Az égési sérülések elkerülése érdekében ne érintse meg ezeket az alkatrészeket.
- A kompresszort felemelve vagy a speciális fogantyúk és markolatok segítségével szállítsa.
- A gyermekeket és állatokat a gép működési területétől távol kell tartani.
- Ha a kompresszort festékszórásra használja:
 - Ne dolgozzon zárt térben vagy nyílt láng közelében.
 - Győződjön meg arról, hogy a környezet, amelyben dolgozni fog, az erre a célra kijelölt szellőzéssel rendelkezik.
 - Védje az orrát és a száját erre a célra kijelölt maszk segítségével.
- Ne használja a kompresszort, ha az elektromos kábel vagy a csatlakozó sérült, és azok eredeti alkatrészeire történő kicseréléséhez kérje hivatalos szerviz segítségét.
- Ha a kompresszort a padlónál magasabban fekvő felületre helyezi, rögzítenie kell, hogy működés közben ne essen le.
- A kompresszor fizikai károsodásának és károsodásának elkerülése érdekében ne helyezzen tárgyakat vagy a kezét a védőburkolatba.
- Ne használja a kompresszort tompa eszközként személyek, tárgyak vagy állatok ellen súlyos sérülések kivédésére.
- Ha a kompresszor már nincs használatban, mindig húzza ki a dugaszt a csatlakozóaljzatból.
- Mindig ügyeljen arra, hogy sűrített levegős tömlőket használjon a sűrített levegőhöz, amelyeket

a kompresszor maximális nyomása jellemez. Ne próbálja meg megjavítani a tömlőt, ha az sérült.

BIZTONSÁGI UTASÍTÁSOK SŰRÍTETT LEVEGŐS PISZTOLYOKKAL TÖRTÉNŐ MUNKAVÉGZÉSHEZ

- A kompresszor és a tömlők működés közben nagyon felforrósodhatnak. Megérintésük égési sérülést okozhat.
- A kompresszor bemeneténél beszívott gázokat vagy gőzöket a kompresszoron belül tüzet vagy robbanást okozó keverékektől mentesen kell tartani.
- A tömlőcsatlakozó eltávolításakor mindig erősen ragadja meg a tömlőcsatlakozót, hogy elkerülje az elrepülő tömlő által okozott sérüléseket.
- Amikor a fúvópisztollyal dolgozik, viseljen védőszemüveget. Az idegen testek és a fűjt részecskék könnyen sérülést okozhatnak.
- A fúvópisztolyt ne irányítsa emberre, ill. ne használja fel a ruhadarabjai tisztítására.

Elektromos biztonság

Villamos kisgépek használatakor mindig tartsa be az adott ország tűz és áramütés elleni és egyéb balesetek elkerülését célzó szabályokat. Olvassa el a következő biztonsági utasításokat és a géphez mellékelte munkavédelmi utasításokat is.



Mindig ellenőrizze, hogy a tápellátás megfelel-e az adattáblán feltüntetett feszültségnek.

Csatlakoztatás a tápellátáshoz

Ellenőrizze, hogy a tápegység és a csatlakozó használata megfelel-e a munkagépnek. Nézze meg a gép adattábláját. A módosításokat mindig szak-képzett villanyszerelőnek kell elvégeznie.



Figyelmeztetés! A gépet földelni kell. Ha nem megfelelően van földelve, a gép áramütést okozhat. Bizonyosodjon meg róla, hogy a tápellátás aljzata földelt-e. Ha kétségei vannak, ellenőriztesse szakképzett villanyszerelővel.



Figyelmeztetés! Kerülje el, hogy a csatlakozó érintkezőkhöz érjen, amikor a csatlakozót a fali aljzatba dugja / a fali aljzataból kihúzza. Az érintkezés súlyos áramütést okozhat.

Kábelek és dugók cseréje

Amennyiben a **hálózati zsinórt** cserélni szükséges, azt a biztonsági kockázatok megelőzése céljából csak a gyártó vagy az általa megbízott szerelő végezheti el. Azonnal selejtezze le a régi kábeleket és dugókat, ha azokat újakra cserélte. Veszélyes lehet egy meglazult kábel dugóját a fali aljzathoz csatlakoztatni.

Hosszabbító kábelek használata

Csak a gép felvett teljesítményéhez megfelelő, jóváhagyott hosszabbító kábelt használjon. A vezeték minimális keresztmetszete: 1,5 mm². Kábeldob használatakor mindig teljesen tekercselje le a vezetékét.

2. GÉP ADATAI

Rendelgetése

A kompresszort sűrített levegő előállítására terveztek sűrített levegővel hajtott szerszámok számára. A kompresszor nem folyamatos működtetésre készült.

MŰSZAKI ADATOK

Modellszám	CR504AC / CR504AC_GREY / CR504AC_WHITE
Kompresszor típusa	Dugattyú - olajmentes - alacsony zajszint
Kompresszoros hajtás	Közvetlen meghajtás
Feszültség	220-240 V
Frekvencia	50 Hz
Bemeneti teljesítmény	750 W
Lóerő	1 LE
Üzem mód	S3 50% *
Alapjárat fordulatszám	1450/min
IP-osztály	IP30
Védelmi osztály	Osztály I
Levegőbeszívás	128 l/perc
Kimenet (sűrített levegő) 7 bar nyomáson	42 l/perc
Kimenet (sűrített levegő) 4 bar nyomáson	65 l/perc
Max. kimeneti nyomás	8 bar
Bevezetési nyomás kb.	6 bar
Kikapcsolási nyomás kb.	8 bar
A tartály térfogata	6L

Kábelhossz	2 m
Súly	16 kg
Hangnyomásszint	$L_{PA} = 79,7 \text{ dB(A)}$ $K_{PA} = 3 \text{ dB(A)}$
Hangteljesítményszint	$L_{WA} = 92,7 \text{ dB(A)}$ $K_{WA} = 3 \text{ dB(A)}$

* S3 = időszakos működtetés az indítás hatása nélkül. Ez azt jelenti, hogy 10 perc alatt a maximális működtetési idő optimális környezeti feltételek mellett (max. hőmérséklet 25 °C) 50%-os (pl. 5 perc munka és 5 perc pihenés). Ezen előírások és az előírt karbantartási időközök betartása lehetővé teszi a termék folyamatosan megfelelő működését.

LEÍRÁS

A szövegbeli számok a 2–3. oldal képeire utalnak.

1. Védőburkolat
2. Kapcsoló
3. Nyomáskapcsoló
4. Nyomásszabályozó
5. Gyorscsatlakozó (kimenet)
6. Nyomásmérő (üzemi nyomás)
7. Nyomásmérő (tartálynyomás)
8. Biztonsági szelep
9. Fogantyú
10. Nyomócső
11. Leeresztőcsap
12. Levegőbemenet
13. Levegőszűrő
14. Túlterhelés-kapcsoló
15. Tartály
16. Gumitalpak

3. ÖSSZESZERELÉS



Szerelés előtt mindig kapcsolja ki a gépet és húzza ki a hálózati csatlakozódugót.

A légszűrő felszerelése (A,B ábra)

1. A kompresszor használata előtt távolítsa el a szállítási fedelet, és cserélje ki a mellékelt levegőszűrőre (13).
2. Szerelje fel a levegőszűrőt (13) úgy, hogy a levegőszűrőt (13) az óramutató járásával meg egyező irányban becsavarja a levegőbemenetbe (12) az B ábrán látható módon.

A kompresszor beszerelése

- A kompresszort jól szellőző és száraz környezetben kell elhelyezni.
- Ügyeljen arra, hogy a kompresszor vízszintes és stabil talajon álljon.
- Helyezze a kompresszort sík felületre vagy max. 10°-os lejtőre, jól szellőző, a légköri tényezők ellen védett helyre, és ne robbanásveszélyes környezetbe.
- Ha a felület sima lejtős, gondoskodjon arról, hogy a kompresszor működés közben ne mozdulhasson el.
- A megfelelő szellőzés és a hatékony hűtés érdekében fontos, hogy a kompresszor legalább 50 cm-re legyen bármilyen faltól vagy akadálytól.
- Ügyeljen arra, hogy a kompresszor megfelelő módon kerüljön szállításra: ne fordítsa fejjel lefelé és ne emelje fel kampókkal vagy kötelekkel.

4. KEZELÉS



Első használat előtt teljesen mértékben össze kell szerelnie a kompresszort.



A hosszú tápkábelek, hosszabbítók, kábeldobok stb. feszültségesést okoznak és gátolhatják a motor indítását. Ne használjon 10m m-nél hosszabb kábeleket. A Vonroc tanácsa alapján inkább használjon hosszabb légtömlőt.



5 °C alatti hőmérsékleten a motort nehezebb beindítani.



A fej/henger/átvitelicső-egység magas hőmérsékleti értéket érhet el, ezért ügyeljen arra, hogy az égési sérülések elkerülése érdekében az alkatrészek közelében végzett munka során ne érintse meg őket.

Indítás (A ábra)

1. Ellenőrizze, hogy a hálózati feszültség meg egyezik-e az elektromos specifikációs táblán jelzett feszültséggel.
2. A kompresszor kikapcsolásához kapcsolja a BE/KI kapcsolót (2) „0” állásba.
3. Dugja be a dugaszt a csatlakozóaljzatba.
4. A kompresszor bekapcsolásához kapcsolja a BE/KI kapcsolót (2) „1” állásba.
5. A kompresszor működése teljesen automatikus. A nyomáskapcsoló (3) amint eléri a maximális

értéket, leállítja a kompresszort, és amint a nyomás a minimális érték alá csökken, elindítja azt. A nyomáskapcsoló (3) gyárilag van beállítva. Normál esetben a maximum és a minimum érték között mért nyomáskülönbség kb. 2 bar / 29 psi. A kompresszor leáll, amint eléri a 8 bar (116 psi) értéket (ez a maximális üzemi nyomás), és automatikusan elindul, amint a tartályban lévő nyomás 6 bar (87 psi) alá csökken.

A levegőtömlő és az eszköz csatlakoztatása (A ábra)

1. Forgassa el a nyomásszabályozót (4) az óramutató járásával ellentétes irányba, amíg a nyomás teljesen ki nem enged.
2. Illessze a levegőtömlő csatlakozóját (nem tartozék) a kompresszor gyorscsatlakozójába (5). A csatlakozó benyomásakor az a helyére kattant, így rögzítve a levegőtömlőt.
3. Csatlakoztassa a használni kívánt pneumatikus eszközt (nem tartozék) a levegőtömlő gyorscsatlakozójához.
4. Forgassa a nyomásszabályozót (4) az óramutató járásával megegyező irányba, amíg a nyomásmérő (6) a szükséges nyomásszintet nem mutatja.
5. A pneumatikus eszköz használatra kész.

A levegőtömlő és az eszköz lecsatlakoztatása (A ábra)



A visszaugró tömlő által okozott sérülés elkerülése érdekében a gyorscsatlakozó kiengedésekor mindenképpen tartsa meg a tömlőt.

1. Forgassa el a nyomásszabályozót (4) az óramutató járásával ellentétes irányba, amíg a nyomás teljesen ki nem enged.
2. Csökkentse a nyomást a pneumatikus eszköz (nem tartozék) működtetésével.
3. Húzza vissza a levegőtömlő gyorscsatlakozójának a karmantyúját, és távolítsa el a pneumatikus eszközt.
4. Húzza vissza a gyorscsatlakozó karmantyúját (5) és távolítsa el a tömlőt.

A nyomás leolvasása (A ábra)

A kompresszoron két nyomásmérő (6,7) található. A tartálynyomás a nyomásmérőről (7) olvasható le, az üzemi nyomás (szabályozott nyomás) pedig a nyomásmérőről (6) olvasható le. A fekete skála a nyomást jelzi bar-ban, a piros skála pedig PSI-ben.

Az üzemi nyomás beállítása (A ábra)



Nem mindig kell maximális üzemi nyomást használni. A pneumatikus eszközök gyakran kisebb nyomást igényelnek. Mindig ellenőrizze, hogy a használni kívánt eszköznek megfelelő-e az üzemi nyomása.

Nomáásszabályozóval (4) ellátott kompresszorok esetében az üzemi nyomást megfelelően be kell állítani. Az üzemi nyomás a nyomásszabályozó forgatógombjával is beállítható (4):

- Az óramutató járásával megegyező irányba forgatva az üzemi nyomás növekszik.
- Az óramutató járásával ellentétes irányba forgatva az üzemi nyomás csökken.

Megjegyzés: ha a pneumatikus eszközt nem csatlakoztatja a nyomás beállításához, előfordulhat, hogy a nyomásmérő (6) nem reagál pontosan a nyomáscsökkenésre.

Túlterhelés-kapcsoló (A ábra)

A motor túlterhelés-kapcsolóval (14) van ellátva. Ha a kompresszor túlterhelt, a túlterhelés-kapcsoló (14) automatikusan kikapcsolja a berendezést, hogy a kompresszort megvédje a túlmelegedéstől. Ha a túlterhelés-kapcsoló (14) bekapcsol, kapcsolja ki a kompresszort a BE/KI kapcsolóval (2), és várja meg, hogy a kompresszor lehűljön. Ezután nyomja meg a túlterhelés kapcsolót (14) és indítsa újra a kompresszort.

A művelet befejezése (A, C ábra)



Csak akkor érintse meg a kompresszort, ha az áramellátása legalább 10 percig le volt állítva.



Ha fagyveszély áll fenn vagy ha hosszú ideig nem használja a kompresszort, kérjük, tárolja azt megfelelően.

1. Ellenőrizze, hogy a BE/KI kapcsoló (2) „0” állásban van-e.
2. Válassza le a gép dugaszát az áramforrásról.
3. a nyomást a tartályban pneumatikus eszköz csatlakoztatásával és működtetésével csökkentheti körülbelül 2 barral.
4. Ezután lassan nyissa meg a tartály alsó oldalán található a leeresztőcsap (11). A tartályban (15) lévő víz ekkor elkezd kifolyni a tartályból (15).
5. Legyen óvatos, ha a tartályban (15) sűrített levegő van, mert víz spriccelhet ki némi erővel.

Ajánlott nyomás: max. 1-2 bar.

- Távolítsa el a pneumatikus eszközt és a tömlőt.
- Tisztítsa meg és tárolja el a készüléket (lásd: „Karbantartás”).

5. KARBANTARTÁS



Tisztítás és karbantartás előtt mindig kapcsolja ki a gépet és húzza ki a hálózati csatlakozódugót.



Csak akkor érintse meg a kompresszort, ha az áramellátása legalább 10 percig le volt állítva. Égési sérülés veszélye!



Minden tisztítási és karbantartási munka előtt nyomásmentesítse a tartályt.

A gép burkolatát rendszeresen, lehetőleg minden használat után törölje át puha ronggyal. Gondoskodjon arról, hogy a szellőzőnyílásokra ne kerüljön por és piszok. Makacs szennyeződésekhez használjon szappanos vízzel átitatott ruhát. Oldószert, benzint, alkoholt, ammóniát stb. ne használjon. Ezek a vegyszerek kárt tesznek a szintetikus alkatrészekben.

Űrítse ki a tartályt (C ábra)



Használat előtt minden alkalommal ellenőrizze, hogy a nyomás alatt álló tartályon nem tapasztalhatók-e rozsdás vagy sérülés jelei. Ne használja a kompresszort sérült vagy rozsdás nyomástartó edénnyel.

A levegő összenyomásával víz kerül a tartályba. A tartály korróziójának megelőzése érdekében rendszeresen engedje le a vizet. Ez függ a nedvességtől, de érdemes minden használat után megtenni.

- Pneumatikus eszköz csatlakoztatásával és működtetésével csökkentse a nyomást a tartályban körülbelül 2 bar-ra.
- Ezután lassan nyissa meg a tartály alsó oldalán található a leeresztőcsap (11). A tartályban lévő víz elkezd kifolyni a tartályból.
- Legyen óvatos, ha a tartályban sűrített levegő van, mert víz spriccelhet ki némi erővel. Ajánlott nyomás: max. 1-2 bar.

Tisztítsa meg a levegősűrítőt (D ábra)



Ajánlott a vákuumsűrítőt 50 üzemóránként szétszerelni és a szűrőbetétet sűrített levegővel kifújva megtisztítani.



Érdemes a szűrőbetétet évente legalább egyszer cserélni, ha a kompresszor tiszta környezetben működik; illetve ennél gyakrabban, ha a kompresszor poros környezetben található. Az eltömődött vákuumsűrítő jelentősen csökkenti a kompresszor teljesítményét.

- Nyissa ki a légszűrőház két felét. Használjon alacsony nyomású sűrített levegőt (kb. 3 bar) a szűrő összes részének kifúvásához
- Szerelje össze a szűrőt fordított sorrendben.

TÁROLÁS ÉS FAGYVÉDELEM

A kompresszor és a nem teljesen leeresztett tartozékokat tönkre teheti a fagy. Teljesen ürítse le a kompresszort és a tartozékokat, és védje őket a fagytól. A készüléket jól szellőző száraz helyen tárolja, ahol a hőmérséklet nem megy +5 °C alá. A használaton kívüli termék biztonságos helyen, gyermekektől elzárva tartandó.

Hibás működés

A gép nem megfelelő működésének számos, az alábbiakban felsorolt oka lehet, amelyekhez a megfelelő megoldást is megadjuk:

Légvesztés

- A kapcsolódás nem megfelelő tömitése okozhatja.
- Ellenőrizze az összes légcsatlakozást szappanos vizes benedvesítéssel (ezt a megoldást soha ne használja elektromos csatlakozások közelében).
- Amikor a tartály üres és töltődik, előfordulhat, hogy a felhasználó a nyomáskapcsoló által sziszegő hangot hall. Ez normális jelenség, és alábbhagy, mielőtt a kompresszor a 1,5 bar nyomást elérné.
- Ellenőrizze, hogy a leeresztőcsap (11) jól zár-e.

A kompresszor nem indul el

Ha a kompresszor nehezen indul, ellenőrizze:

- Hogy a hálózati feszültség megfelel-e a specifikációs táblán szereplő feszültségnek.
- Hogy hibás érpárral rendelkező vagy nem megfelelő hosszú elektromos hosszabbítókábeleket vannak-e használatban.
- Hogy a működési környezet nem túl hideg-e (5 °C alatti).

- Hogy van-e villamosenergia-ellátás (a dugasz megfelelően lett csatlakoztatva, a magneto-termikus biztosítékok nem romlottak-e el).

A kompresszor nem kapcsol ki

Ha a kompresszor nem kapcsol ki a maximális nyomás elérésekor, a tartály biztonsági szelepe lép működésbe. A javítás érdekében vegye fel a kapcsolatot a legközelebbi hivatalos ügyfélszolgálattal.

KÖRNYEZET



A hibás és/vagy már feleslegessé vált elektromos, elektronikus készülékeket az ezzel foglalkozó begyűjtő helyeken kell leadni.

Csak EU országokban

Elektromos szerszámokat ne dobjon a háztartási hulladékba. Az elektromos és elektronikai hulladékokra vonatkozó, 2012/19/EU európai irányelv és annak a nemzeti törvénykezésbe történő átültetése értelmében az elhasználódott elektromos készülékeket külön kell gyűjteni és környezetbarát módon kell kiselejtezni.

GARANCIA

A VONROC termékei a legmagasabb minőségi normák szerint készülnek, és az eredeti vásárlás napjától számított, törvényileg előírt időtartamig garantáljuk, hogy anyag- és gyártási hibáktól mentesen fognak működni. Ha a terméken ezen időszak alatt bármilyen hiba jelentkezik anyag- és/vagy gyártási hiba miatt, kérjük, forduljon közvetlenül a VONROC-hoz.

A garancia nem érvényes a következő körülmények egyikére sem:

- Nem hivatalos szervizközpontok javítást vagy módosítást végeztek (vagy megkíséreltek javítást vagy módosítást végezni) a gépen.
- Normál elhasználódás és kopás.
- A szerszámot erőszakosan vagy nem rendeltetésszerűen használták, vagy a karbantartása nem volt megfelelő.
- Nem eredeti pótalkatrészeket használtak.

A garancia a vállalat által (akár kifejezetten, akár hallgatólagosan) biztosított kizárólagos garancia. Nem biztosítunk más garanciákat (sem kifejezett,

sem beleértett garanciákat, ideértve az értékesíthetőségre és az adott célra való alkalmasságra vonatkozó hallgatólagos garanciákat is), amelyek a jelen garancia hatókörén túlmutatnak. A VONROC semmilyen esetben sem felelős semmilyen járólékos vagy következményes kárért. A forgalmazók jogorvoslati teendői az előírásoknak nem megfelelő egységek vagy alkatrészek javítására és cseréjére korlátozódnak.

A termék és a használati útmutató változtatásának jogát fenntartjuk. A műszaki adatok előzetes bejelentés nélkül változhatnak.

1. BEZPEČNOSTNÍ POKYNY

Přečtěte si přiložené bezpečnostní výstrahy, dodatečné bezpečnostní výstrahy a bezpečnostní pokyny. Nebudete-li dodržovat tyto bezpečnostní výstrahy a pokyny, může dojít k úrazu elektrickým proudem, k vzniku požáru nebo k způsobení vážného zranění. Uschovejte tyto bezpečnostní výstrahy a pokyny pro budoucí použití.

V této uživatelské příručce a na tomto výrobku jsou použity následující symboly:



Přečtěte si návod k použití.



Upozorňuje na riziko zranění osob, ztráty života nebo poškození nářadí, nebudou-li dodržovány pokyny uvedené v tomto návodu.



Nevystavujte dešti.



Chraňte zařízení před mrazem.



Zákaz: Neotevírejte kohout, pokud není připojena vzduchová hadice.



Nebezpečí úrazu elektrickým proudem.



Riziko popálení následkem kontaktu s horkými povrchy.



Upozornění: kompresor se může automaticky rozběhnout v případě výpadku a následného obnovení napájení.



Používejte ochranu sluchu.



Garantovaná hladina akustického výkonu LWA = 78 dB(A).



Nelikvidujte tento výrobek do nevhodného kontejneru.



Tento produkt je vyroben podle platných bezpečnostních norem ve směrnicích EU.

VŠEOBECNÉ BEZPEČNOSTÍ PŘEDPISY



Pozor!

Přečtěte si všechny bezpečnostní výstrahy, pokyny, ilustrace a technické údaje dodané s tímto elektrickým nářadím. Nebudete-li dodržovat všechny níže uvedené pokyny, může dojít k úrazu elektrickým proudem, k vzniku požáru nebo k způsobení vážného zranění.

Tyto pokyny si uschovejte.

Výraz „nářadí“ v těchto pokynech značí jakékoliv elektrické nářadí, ať už je napájené ze sítě (nářadí s přívodní šňůrou) nebo z baterie (nářadí bez přívodní šňůry).

1) Pracovní prostor

- V pracovním prostoru udržujte pořádek a zajistěte si v něm dobré osvětlení.** V nepořádku a přítomnosti dochází snadno k nehodám a úrazům.
- S elektrickým nářadím nepracujte ve výbušném prostředí, jaké představují hořlavé kapaliny a plyny nebo prach.** Elektrické nářadí jiskří, a proto se mohou výpary nebo prach vznítit.
- Při práci s elektrickým nářadím udržujte děti a okolostojící osoby v dostatečné vzdálenosti.** Pokud by vás někdo rozptyloval, snadno nad nářadím ztratíte kontrolu.

2) Elektrická bezpečnost

- Síťová zástrčka musí odpovídat zásuvce. Nikdy zástrčku nijak neupravujte. U zemněného nářadí nepoužívejte žádné upravované zástrčky.** Pouze s neupravovanou zástrčkou a odpovídající zásuvkou může být nebezpečí úrazu elektrickým proudem minimální.
- Dbejte, abyste se nedotýkali zemenných povrchů, jako jsou potrubí, radiátory, sporáky nebo chladničky.** Když máte tělo uzemněné, je nebezpečí úrazu elektrickým proudem větší.
- Nevystavujte elektrické nářadí dešti ani vlhkosti.** Vnikne-li do nářadí voda, nebezpečí úrazu elektrickým proudem se zvyšuje.
- S přívodní šňůrou zacházejte šetrně a používejte ji pouze k jejímu účelu. Nikdy za ni nářadí nenoste ani nevěčte a nevytahujte za ni zástrčku ze zásuvky. Uchovávejte ji mimo dosah horka a mimo kontakt s oleji, ostrými hranami a pohyblivými díly.** Poškozená nebo zapletená šňůra zvyšuje nebezpečí úrazu elektrickým proudem.
- Při práci venku používejte prodlužovací kabel vhodný pro venkovní prostředí.** Používáním

kabelů vhodných pro venkovní prostředí se snižuje nebezpečí úrazu elektrickým proudem.

- f) **Musíte-li používat toto elektrické nářadí ve vlhkém prostředí, používejte v elektrickém obvodu proudový chránič (RCD).** Použití proudového chrániče (RCD) snižuje riziko úrazu elektrickým proudem.
- 3) Osobní bezpečnost**
- a) **Udržujte stále pozornost, soustřeďte se na to, co děláte, a při práci s elektrickým nářadím se řiďte zdravým rozumem. Jste-li unaveni nebo pod vlivem drog, alkoholu nebo léků, s elektrickým nářadím nepracujte.** Při práci s elektrickým nářadím stačí chvilková nepozornost, aby došlo k vážnému úrazu.
- b) **Vždy používejte prvky osobní ochrany. Vždy noste vhodný prostředek ochrany zraku.** Nošením odpovídajících bezpečnostních pomůcek a vybavení, jako je respirátor, neklouzavá obuv, tvrdý klobouk nebo prostředek ochrany sluchu, se nebezpečí úrazu snižuje.
- c) **Zabraňte náhodnému spuštění nářadí. Než nářadí zapojíte do sítě, přesvědčte se, že je vypínač ve vypnuté poloze.** Přenášení elektrického nářadí s prstem na spouštěcím spínači nebo připojení elektrického nářadí k zdroji elektrické energie, je-li spouštěcí spínač v poloze zapnuto, zvyšuje pravděpodobnost vzniku nehod.
- d) **Než elektrické nářadí zapnete, sundejte z něj všechny seřizovací klíče a jiné nástroje.** Necháte-li klíč nebo nástroj ve styku s rotačním dílem nástroje, může snadno dojít k úrazu.
- e) **Nikam se nenapřahujte. Udržujte si soustavně pevný postoj a rovnováhu.** V neočekávaných situacích pak dokážete elektrické nářadí lépe kontrolovat.
- f) **Na práci se vhodně oblečte. Nenoste žádný volný oděv ani šperky. Vlasy, oblečením ani rukavicemi se nepřibližujte k pohyblivým součástem nářadí.** Volný oděv, šperky a dlouhé vlasy by se mohly pohyblivými součástmi zachytit.
- g) **Pokud je nářadí vybaveno tak, že k němu lze připojit zařízení na odsávání a odlučování prachu, dbejte, aby bylo připojeno a řádně používáno.** Používáním takového zařízení se snižují rizika spojená s vířením prachu.
- h) **Nedovolte, aby jistota získaná častým používáním nářadí vedla ke snížení vaší pozornosti a ignorování zásad bezpečné práce s nářadím.** Neopatrný úkon může během zlomku sekundy způsobit vážné zranění.
- 4) Práce s elektrickým nářadím a péče o ně**
- a) **Na elektrické nářadí netlačte. Pro svůj účel zvolte vhodné nářadí.** Správné nářadí vykoná práci lépe a bezpečněji rychlostí, na kterou je konstruováno.
- b) **Jestliže vypínač nářadí nezapíná či nevypíná, nářadí nepoužívejte.** Elektrické nářadí, které se nedá vypínačem ovládat, je nebezpečné a je třeba dát je opravit.
- c) **Než začnete elektrické nářadí jakkoliv seřizovat, vyměňovat příslušenství nebo ukládat, odpojte jeho zástrčku od sítě.** Tímto preventivním bezpečnostním opatřením snížíte riziko, že se nářadí bezděčně uvede do chodu.
- d) **Pokud s nářadím nepracujete, uchovávejte je mimo dosah dětí. Osobám, které nejsou s obsluhou nářadí nebo s těmito pokyny seznámeny, nedovolte s ním pracovat.** V rukou neškolené osoby je elektrické nářadí nebezpečné.
- e) **Věnujte elektrickému nářadí potřebnou údržbu. Kontrolujte, zda je na nářadí všechno správně seřizeno a utaženo, pohyblivé části nedrout, žádná součást není zlomena nebo nářadí není ani jinak ve stavu, který by mohl narušit jeho správný chod. Pokud je elektrické nářadí poškozeno, je třeba dát je před použitím opravit.** Nedostatečně udržované nářadí již způsobilo četné úrazy.
- f) **Řezné nářadí udržujte ostré a čisté.** Řádně udržované řezné nářadí s nabroušeným ostřím se tak snadno nezadře a snáze se ovládá.
- g) **Elektrické nářadí, příslušenství, vrtáky atd. používejte v souladu s těmito pokyny, a to způsobem a pro účel, pro který je nářadí konstruováno. Přítom berte v úvahu pracovní podmínky a práci, kterou chcete vykonat.** Používáním elektrického nářadí na činnosti, na které není konstruováno, se můžete snadno dostat do nebezpečné situace.
- h) **Dbejte na to, aby byly rukojeti a úchopné povrchy suché, čisté a zbavené olejů a maziv.** Kluzké rukojeti a úchopné povrchy neumožňují bezpečnou manipulaci a ovládání nářadí v neočekávaných situacích.

5) Servis

- a) **Svěřte opravu vašeho elektrického nářadí pouze osobě s příslušnou kvalifikací, která bude používat výhradně originální náhradní díly.** Tím zajistíte bezpečný provoz tohoto elektrického nářadí.

SPECIÁLNÍ BEZPEČNOSTNÍ POKYNY

- Varování! Kompressor smí být používán pouze ve vhodných místnostech (s dobrým větráním a okolní teplotou od 5 °C do +40 °C).
- Před odšroubováním spoje se zásobníkem stlačeného vzduchu se ujistěte, zda je zcela uvolněn tlak v zásobníku.
- Je přísně zakázáno vytvářet otvory, svařovat nebo záměrně deformovat zásobník stlačeného vzduchu.
- Neprovádějte na kompresoru žádné úkony, pokud jste neodpojili zástrčku napájecího kabelu ze síťové zásuvky.
- Nesměřujte na kompressor proud vody ani hořlavé kapaliny.
- Neumísťujte žádné hořlavé předměty do blízkosti kompresoru.
- Když kompressor právě nepotřebujete, přepněte spínač (2) do polohy „0“ (vypnuto).
- Nikdy nesměřujte proud stlačeného vzduchu na osoby ani na zvířata.
- Nestěhujte kompressor, když se v zásobníku nachází stlačený vzduch.
- Poznámka: Některé díly kompresoru, jako jsou hlava a průchozí potrubí, mohou dosahovat vysokých teplot. Nedotýkejte se těchto dílů, abyste se nepopálili.
- Při přepravě kompressor nadzvedněte pomocí speciálních úchopů či rukojetí.
- Děti a zvířata se musí nacházet v dostatečně bezpečné vzdálenosti od provozního prostoru tohoto stroje.
- Používáte-li tento kompressor pro nástřik barev:
 - a) Nepracujte v uzavřeném prostoru ani v blízkosti otevřeného plamene.
 - b) Zajistěte, aby bylo v prostředí, kde chcete pracovat, zajištěno dostatečné větrání.
 - c) Chraňte si nos a ústa speciální maskou.
- Nepoužívejte kompressor, je-li poškozen jeho napájecí kabel nebo zástrčka, a požádejte autorizovaný servis o jejich výměnu za originální náhradní díl.
- Je-li kompressor umístěn na povrchu, který je výše než podlaha, zajistěte, aby během provozu kompresoru nemohlo dojít k jeho pádu.

- Nevkládejte předměty nebo ruce pod ochranné kryty, mohlo dojít ke zranění nebo k poškození kompresoru.
- Nepoužívejte tento kompressor a jeho příslušenství jako nástroj proti osobám, předmětům nebo zvířatům, protože by mohlo dojít k vážným škodám.
- Pokud kompressor už nepoužíváte, vždy odpojte zástrčku napájecího kabelu ze síťové zásuvky.
- Vždy se ujistěte, zda jsou pro stlačený vzduch používány speciální hadice na stlačený vzduch a zda jsou tyto hadice dimenzovány na stlačený vzduch generovaný tímto kompresorem. Je-li hadice poškozena, nepokoušejte se ji opravit.

BEZPEČNOSTNÍ POKYNY PRO PRÁCI S PISTOLEMI NA STLAČENÝ VZDUCH

- Kompressor a hadice se mohou během používání velmi zahřát. Kontakt s nimi může způsobit popálení.
- Plyny nebo páry nasávané do kompresoru nesmí obsahovat příměsi, které by mohly vést k požáru nebo výbuchu uvnitř kompresoru.
- Při demontáži hadicové spojky vždy držte hadicovou spojku pevně, aby nedošlo ke zranění způsobenému odlétnutím hadice.
- Při práci s ofukovací pistolí používejte ochranné brýle. Cizí tělesa a odfouknuté částice mohou snadno způsobit zranění.
- Nemířte ofukovací pistolí na lidi ani ji nepoužívejte k čištění oděvů, které máte na sobě.

Elektrická bezpečnost

Používáte-li elektrická zařízení, vždy dodržujte platné bezpečnostní předpisy, aby bylo omezeno riziko způsobení požáru, úrazu elektrickým proudem nebo zranění osob. Přečtěte si následující bezpečnostní pokyny i přiložené bezpečnostní pokyny.



Vždy zkontrolujte, zda se napájecí napětí sítě shoduje s napájecím napětím na výkonovém štítku.

Připojení k napájecímu napětí

Zkontrolujte, zda jsou napájecí napětí a zástrčka napájecího kabelu vhodné pro váš stroj. Podívejte se na výkonový štítek stroje. Všechny změny smí provádět pouze kvalifikovaný elektrikář.



Varování! Toto zařízení musí být uzemněno. Není-li toto zařízení řádně uzemněno, může dojít k úrazu elektrickým proudem. Ujistěte se, zda je používána zásuvka uzemněna. Máte-li jakékoli pochybnosti, požádejte o kontrolu kvalifikovaného elektrikáře.



Varování! Při připojování (odpojování) zástrčky k (od) zásuvce se vyvarujte kontaktu s kolíky zástrčky. Takový kontakt způsobí vážný úraz elektrickým proudem.

Výměna kabelů nebo zástrček

Je-li nutná výměna **napájecího kabelu**, musí být provedena výrobcem nebo jeho autorizovaným zástupcem, aby bylo zabráněno bezpečnostnímu riziku. Po výměně napájecích kabelů nebo zástrček staré kabely a zástrčky ihned zlikvidujte. Připojení zástrčky poškozeného kabelu k síťové zásuvce je velmi nebezpečné.

Použití prodlužovacích kabelů

Používejte pouze schválený prodlužovací kabel, který je vhodný pro příkon tohoto stroje. Minimální průřez vodiče je 1,5 mm². Používáte-li cívku s kabelem, vždy z cívky odvíháte celý kabel.

2. INFORMACE O ZAŘÍZENÍ

Zamýšlené použití

Tento kompresor je určen k výrobě stlačeného vzduchu, který se pak používá pro pneumatické nářadí. Tento kompresor není určen pro nepřetržitý provoz.

TECHNICKÉ ÚDAJE

	CR504AC / CR504AC_ŠEDÁ / CR504AC_BÍLÁ
Typ kompresoru	Pístový – bezolejový – tichý
Pohon kompresoru	Přímý pohon
Napětí	220-240 V~
Kmitočet	50 Hz
Příkon	750 W
Výkon	1 ks
Provozní režim	S3 50 % *
Volnoběžné otáčky	1450/min

Třída ochrany IP	IP30
Třída ochrany	Třída I
Vstup vzduchu	128 l/min
Výstup (stlačeného vzduchu) při 7 bar	42 l/min
Výstup (stlačeného vzduchu) při 4 bar	65 l/min
Max. tlak na výstupu	8 bar
Zapínací tlak přibl.	6 bar
Vypínací tlak přibl.	8 bar
Objem zásobníku	6 l
Délka kabelu	2 m
Hmotnost	16 kg
Akustický tlak	L _{DA} = 79,7 dB(A) K _{DA} = 3 dB(A)
Akustický výkon	L _{WA} = 92,7 dB(A) K _{WA} = 3 dB(A)

* S3 = přerušovaný provoz bez vlivu na spouštění zařízení. To znamená, že v časovém intervalu 10 minut je maximální doba provozu 50 % (např. 5 minut provozu a 5 minut klidu) za optimálních podmínek prostředí (max. teplota 25 °C). Dodržování těchto pokynů a předepsaných intervalů údržby umožní správnou funkci výrobku po dlouhou dobu.

POPIS

Čísla v následujícím textu odkazují na obrázky na stranách 2-3.

1. Kryt
2. Spínač
3. Tlakový spínač
4. Regulátor tlaku
5. Rychlospojka (výstupní)
6. Tlakoměr (provozní tlak)
7. Tlakoměr (tlak v zásobníku)
8. Pojistný ventil
9. Rukojeť
10. Tlaková trubka
11. Vypouštěcí kohout
12. Vstup vzduchu
13. Vzduchový filtr
14. Ochranný spínač
15. Zásobník
16. Pryžové nožky

3. SESTAVENÍ



Před sestavením vždy vypněte stroj a odpojte zástrčku napájecího kabelu ze síťové zásuvky.

Nasazení vzduchového filtru (Obr. A, B)

1. Před použitím kompresoru sejměte přepravní víko a nasadte vzduchový filtr (13), který je součástí dodávky.
2. Vzduchový filtr (13) nasadíte tak, že jej našroubujete po směru hodinových ručiček na vstup vzduchu (12), jak je naznačeno na obrázku B.

Instalace kompresoru

- Kompresor by měl být nainstalován v dobře větraném a suchém prostředí.
- Ujistěte se, že je kompresor umístěn na vodorovné a stabilní podložce.
- Kompresor umístěte na rovný povrch nebo v maximálním sklonu 10°, na dobře větraném místě chráněném před atmosférickými vlivy, ne ve výbušném prostředí.
- Pokud je povrch nakloněný a hladký, dohlédněte na to, aby se kompresor během provozu nemohl dát do pohybu.
- Pro správné větrání a účinné chlazení je důležité, aby byl kompresor umístěn alespoň 50 cm od jakékoliv stěny nebo překážky.
- Ujistěte se, že je kompresor přepravován správným způsobem, neotáčejte jej vzhůru nohama a nezvedejte jej pomocí háků ani lan.

4. POUŽITÍ



Musíte kompresor úplně smontovat, než ho budete moci použít poprvé.



Dlouhé napájecí kabely, prodlužovací kabely, cívky s kabely atd., způsobují pokles napájecího napětí a mohou bránit spuštění motoru kompresoru. Nepoužívejte kabely delší než 10 m. Firma Vonroc doporučuje raději použít delší vzduchovou hadici, je-li to nutné.



Může být obtížnější spustit motor při teplotách pod 5 °C.



Sestava hlavy/válce/trubky může dosahovat vysokých teplot, proto buďte opatrní při práci v blízkosti těchto částí a nedotýkejte se jich, abyste se nepopálili.

Spuštění (Obr. A)

1. Ověřte, zda napětí sítě odpovídá specifikacím uvedeným na výkonovém štítku stroje.
2. Přepněte vypínač (2) do polohy „0“, abyste kompresor vypnuli.
3. Připojte zástrčku napájecího kabelu do síťové zásuvky.
4. Přepněte vypínač (2) do polohy „I“, abyste kompresor zapnuli.
5. Provoz kompresoru je plně automatický. Tlakový spínač (3) zastaví kompresor při dosažení maximální hodnoty tlaku a spustí jej, když tlak klesne pod minimální hodnotu. Tlakový spínač (3) je nastaven z výroby. Normálně je rozdíl tlaků mezi maximální a minimální hodnotou přibližně 2 bar/29 psi. Kompresor se zastaví, když je dosaženo tlaku 8 bar (116 psi) (to je maximální provozní tlak) a automaticky se rozběhne, když tlak v nádrži klesne na 6 bar (87 psi).

Připojení vzduchové hadice a náradí (Obr. A)

1. Otočte knoflíkem regulátoru tlaku (4) proti směru hodinových ručiček, až se tlak zcela uvolní.
2. Zasuňte spojku vzduchové hadice (není součástí dodávky) do rychlospojky (5) na kompresoru. Při zasunutí do rychlospojky se ozve cvaknutí, které indikuje zajištění vzduchové hadice.
3. Připojte pneumatické náradí (není součástí dodávky), které chcete použít, na rychlospojku vzduchové hadice.
4. Otáčeje knoflíkem regulátoru tlaku (4) po směru hodinových ručiček, dokud tlakoměr (6) nebude ukazovat úroveň tlaku, jakou potřebujete.
5. Vaše pneumatické náradí je nyní připraveno k použití.

Odpojení vzduchové hadice a pneumatického náradí (Obr. A)



Při uvolňování rychlospojky vždy držte hadici pevně, abyste se ochránili před zraněním způsobeným odsakující hadicí.

1. Otočte knoflíkem regulátoru tlaku (4) proti směru hodinových ručiček, až se tlak zcela uvolní.
2. Snižte tlak aktivací pneumatického nářadí (není součástí dodávky).
3. Stáhněte objímku na rychlospojce vzduchové hadice směrem dozadu a odpojte pneumatické nářadí.
4. Stáhněte objímku na rychlospojce směrem dozadu (5) a odpojte hadici.

Odečítání tlaku (Obr. A)

Tento kompresor je vybaven dvěma tlakoměry (6, 7). Tlak v zásobníku můžete odečíst na tlakoměru (7) a provozní tlak (regulovaný tlak) na tlakoměru (6). Na černé stupnici můžete odečíst tlak v jednotce bar a na červené v PSI.

Nastavení provozního tlaku (Obr. A)



Není vždy nezbytné používat maximální provozní tlak. Pneumatické nářadí často potřebuje nižší tlak. Vždy zkontrolujte správný provozní tlak nářadí, které se chystáte použít.

U kompresorů dodávaných s regulátorem tlaku (4) je nutné správně nastavit provozní tlak. Provozní tlak je možné nastavit pomocí otočného knoflíku na regulátoru tlaku (4):

- Otáčením ve směru hodinových ručiček se provozní tlak zvýší.
- Otáčením proti směru hodinových ručiček se provozní tlak sníží.

Poznámka: Pokud při nastavování tlaku nebudete mít připojeno pneumatické nářadí, může se stát, že tlakoměr (6) nebude přesně reagovat na úbytek tlaku.

Ochranný spínač (Obr. A)

Motor je vybaven ochranným spínačem proti přetížení (14). Pokud dojde k přetížení kompresoru, ochranný spínač (14) automaticky vypne zařízení, aby byl kompresor chráněn před přehřátím. Pokud se aktivuje ochranný spínač (14), vypněte kompresor pomocí vypínače (2) a počkejte, dokud kompresor nevychladne. Poté stiskněte ochranný spínač (14) a kompresor znovu spusťte.

Dokončení použití (Obr. A, C)



Nedotýkejte se kompresoru, dokud neuplyne alespoň 10 minut od vypnutí jeho napájení.



Pokud hrozí nebezpečí mrazu nebo pokud neplánujete kompresor delší dobu používat, musíte jej řádně uskladnit.

1. Zkontrolujte, že je vypínač (2) v poloze „0“.
2. Vypojte zástrčku napájecího kabelu ze síťové zásuvky.
3. Snižte tlak v zásobníku až na přibližně 2 bar pomocí připojeného pneumatického nářadí.
4. Potom pomalu otevřete vypouštěcí kohout (11) na spodní straně zásobníku. Voda, která se nashromáždila v zásobníku (15), nyní vyteče.
5. Buďte opatrní, pokud v zásobníku (15) zůstal stlačený vzduch, voda může vystříknout pod tlakem. Doporučený tlak max. 1-2 bar.
6. Odpojte pneumatické nářadí i hadici.
7. Vycištěte a uložte zařízení (viz část „Údržba“).

5. ÚDRŽBA



Před čištěním a prováděním údržby vždy stroj vypněte a vypojte zástrčku napájecího kabelu ze síťové zásuvky.



Nedotýkejte se kompresoru, dokud neuplyne alespoň 10 minut od vypnutí jeho napájení. Riziko popálení!



Vždy snižte tlak v zásobníku, než začnete s jakýmkoliv čištěním a údržbou.

Pravidelně čistěte kryt zařízení jemným hadříkem, ideálně po každém použití. Ujistěte se, zda nejsou větrací otvory zaneseny prachem nebo jinými nečistotami. Odolnější nečistoty odstraňte pomocí jemného hadříku navlhčeného v mýdlové pěně. Nepoužívejte žádná rozpouštědla, jako jsou benzín, líh, čpavek atd. Takové chemické látky mohou způsobit poškození dílů z umělé hmoty.

Vypuštění zásobníku (Obr. C)



Před každým použitím zkontrolujte tlakovou nádobu, zda nejeví známky koroze a poškození. Nepoužívejte kompresor s poškozenou nebo zkorodovanou tlakovou nádobou.

V zásobníku se časem nashromáždí voda ze stlačeného vzduchu. Pravidelně vypouštějte vodu ze zásobníku, aby nedocházelo k jeho korozi. Závisí to na vlhkosti, ale doporučujeme po každém použití.

1. Snižte tlak v zásobníku až na přibližně 2 bar pomocí připojeného pneumatického nářadí.
2. Potom pomalu otevřete vypouštěcí kohout (11) na spodní straně zásobníku. Voda, která se nashromáždila v zásobníku, nyní vyteče
3. Buďte opatrní, pokud v zásobníku zůstal stlačený vzduch, voda může vystříknout pod tlakem. Doporučený tlak max. 1-2 bar.

Čištění vzduchového filtru (Obr. D)



Doporučuje se demontovat sací filtr po 50 provozní hodinách a vyčistit vložku filtru profouknutím stlačeným vzduchem.



Pokud kompresor pracuje v čistém prostředí, doporučuje se vyměnit vložku filtru alespoň jednou ročně. Pokud je prostředí, ve kterém kompresor pracuje, prašné, je nutná častější výměna. Ucpaný sací filtr dramaticky snižuje výkon kompresoru.

1. Otevřete poloviny pláště vzduchového filtru. K profouknutí všech částí filtru použijte stlačený vzduch o nízkém tlaku (cca 3 bar)
2. Opačným postupem filtr smontujte.

SKLADOVÁNÍ A OCHRANA PŘED MRAZEM

Kompresor a příslušenství, které nebylo úplně vypuštěno, může být zničeno mrazem. Provedte kompletní vypuštění kompresoru i jeho příslušenství, abyste je uchránili před mrazem. Sladujte toto zařízení v dobře větraných, suchých prostorách, kde teplota neklesá pod +5 °C. Když toto nářadí nepoužíváte, uložte ho na bezpečném místě mimo dosah dětí.

Závady

Nepracuje-li toto zařízení správně, níže je uveden seznam možných příčin těchto problémů a také seznam řešení závad:

Ztráta vzduchu

- Může být způsobena nedostatečným utěsněním spoje.
- Zkontrolujte všechny vzduchové spoje tak, že je navlhčíte mýdlovým roztokem (nikdy nepoužívejte tento roztok v blízkosti elektrických spojů).
- Když je zásobník prázdný a plní se. Uživatel

může u tlakového spínače zaslechnout syčivý zvuk. To je normální, zvuk ustane dříve, než kompresor dosáhne tlaku 1,5 bar.

- Zkontrolujte, zda je vypouštěcí kohout (11) dobře uzavřen.

Kompresor se nerozběhne

Pokud se kompresor nechce rozběhnout, zkontrolujte následující:

- Zda napětí elektrické sítě odpovídá napětí na výkonovém štítku.
- Zda se nepoužívají elektrické prodlužovací kabely s vadným jádrem nebo nesprávnou délkou.
- Zda není provozní prostředí příliš chladné (teplota pod 5 °C).
- Zda je do kompresoru přiváděna el. energie (zástrčka je správně zapojena, magneto-tepelné pojistky nejsou přerušeny).

Kompresor se nevypne

Pokud se kompresor nevypne po dosažení maximálního tlaku, aktivuje se pojistný ventil zásobníku. Je nezbytné kontaktovat nejbližší servis a požádat o opravu.

OCHRANA ŽIVOTNÍHO PROSTŘEDÍ



Poškozená a likvidovaná elektrická nebo elektronická zařízení musí být odevzdána ve sběrných dvorech, které jsou určeny pro tento účel.

Pouze pro země EU

Nevyhazujte elektrická nářadí do běžného domácího odpadu. Podle evropské směrnice 2012/19/EU týkající se likvidace elektrických a elektronických zařízení a její implementace do vnitrostátního práva, musí být nepoužívaná elektrická nářadí shromažďována odděleně a jejich likvidace musí být provedena tak, aby nedošlo k ohrožení životního prostředí.

ZÁRUKA

Výrobky VONROC jsou vyvíjeny v souladu s požadavky norem na nejvyšší kvalitu a je zaručeno, že po dobu platné záruky, která začíná běžet dnem původního nákupu, nebudou na těchto výrobcích žádné vady materiálu, ani vady způsobené špatným dílenským zpracováním. Dojde-li během tohoto období k závadě v důsledku vady materiálu nebo

dílenského zpracování, kontaktujte přímo firmu VONROC.

Z této záruky jsou vyloučeny následující případy:

- Opravy nebo úpravy tohoto zařízení byly provedeny nebo byly provedeny pokusy o jejich provedení v neautorizovaných servisech;
- Běžné opotřebení;
- Toto zařízení bylo nesprávně použito, nevhodně použito nebo nebyla prováděna jeho správná údržba;
- Byly použity neoriginální náhradní díly.

Výše uvedené představuje jedinou záruku poskytovanou společností, ať už výslovnou nebo předpokládanou. Neexistují žádné další záruky, výslovné ani nebo předpokládané, které přesahují rámec zde uvedeného, včetně předpokládaných záruk prodejnosti a vhodnosti pro určitý účel. VONROC v žádném případě neodpovídá za jakékoliv náhodné nebo následné škody. Opravné prostředky prodejců se omezují výhradně na opravu nebo výměnu nevyhovujících jednotek nebo dílů.

Na tomto výrobku a v tomto návodu mohou být prováděny změny. Technické údaje mohou být změněny bez předchozího upozornění.



DECLARATION OF CONFORMITY CR504AC / CR504AC_GREY / CR504AC_WHITE - SILENT COMPRESSOR

- (EN) We declare under our sole responsibility that this product is in conformity with directive 2011/65/EU of the European parliament and of the council of 8 June on the restriction of the use of certain hazardous substances in electrical and electronic equipment is in conformity and accordance with the following standards and regulations:
- (DE) Der Hersteller erklärt eigenverantwortlich, dass dieses Produkt der Direktive 2011/65/EU des Europäischen Parlaments und des Rats vom 8. Juni 2011 über die Einschränkung der Anwendung von bestimmten gefährlichen Stoffen in elektrischen und elektronischen Geräten entspricht. den folgenden Standards und Vorschriften entspricht:
- (NL) Wij verklaren onder onze volledige verantwoordelijkheid dat dit product voldoet aan de conform Richtlijn 2011/65/EU van het Europees Parlement en de Raad van 8 juni 2011 betreffende beperking van het gebruik van bepaalde gevaarlijke stoffen in elektrische en elektronische apparatuur en in overeenstemming is met de volgende standaarden en reguleringen:
- (FR) Nous déclarons sous notre seule responsabilité que ce produit est conforme aux standards et directives suivants: est conforme à la Directive 2011/65/EU du Parlement Européen et du Conseil du 8 juin 2011 concernant la limitation d'usage de certaines substances dangereuses dans l'équipement électrique et électronique.
- (ES) Declaramos bajo nuestra exclusiva responsabilidad que este producto cumple con las siguientes normas y estándares de funcionamiento: se encuentra conforme con la Directiva 2011/65/UE del Parlamento Europeo y del Consejo de 8 de junio de 2011 sobre la restricción del uso de determinadas sustancias peligrosas en los equipos eléctricos y electrónicos.
- (IT) Dichiariamo, sotto la nostra responsabilità, che questo prodotto è conforme alle normative e ai regolamenti seguenti: è conforme alla Direttiva 2011/65/UE del Parlamento Europeo e del Consiglio dell'8 giugno 2011 sulla limitazione dell'uso di determinate sostanze pericolose nelle apparecchiature elettriche ed elettroniche.
- (SV) Vi garanterar på eget ansvar att denna produkt uppfyller och följer följande standarder och bestämmelser: uppfyller direktiv 2011/65/EU från Europeiska parlamentet och EG-rådet från den 8 juni 2011 om begränsningen av användning av farliga substanser i elektrisk och elektronisk utrustning.
- (DA) Vi erklærer under eget ansvar, at dette produkt er i overensstemmelse med følgende standarder og bestemmelser: er i overensstemmelse med direktiv 2011/65/EU fra Europa-Parlamentet og Rådet af 8. juni 2011 om begrænsning af anvendelsen af visse farlige stoffer i elektrisk og elektronisk udstyr.
- (PL) Deklarujemy na własną odpowiedzialność, że ten produkt spełnia wymogi zawarte w następujących normach i przepisach: jest zgodny z Dyrektywą 2011/65/UE Parlamentu Europejskiego i Rady z dnia 8 czerwca 2011 r. w sprawie ograniczenia stosowania niektórych niebezpiecznych substancji w sprzęcie elektrycznym i elektronicznym.
- (RO) Declărăm prin aceasta cu răspunderea deplină că produsul acesta este în conformitate cu următoarele standarde sau directive: este în conformitate cu Directiva 2011/65/UE a Parlamentului European și a Consiliului din 8 iunie 2011 cu privire la interzicerea utilizării anumitor substanțe periculoase la echipamentele electrice și electronice.
- (PT) Declaramos por nossa total responsabilidade de que este produto está em conformidade e cumpre as normas e regulamentações que se seguem: está em conformidade com a Directiva 2011/65/UE do Parlamento Europeu e com o Conselho de 8 de Junho de 2011 no que respeita à restrição de utilização de determinadas substâncias perigosas existentes em equipamento eléctrico e electrónico.
- (HU) Felelősségünk teljes tudatában kijelentjük, hogy ez a termék teljes mértékben megfelel az alábbi szabványoknak és előírásoknak: je v souladu se směrnicí 2011/65/EU Evropského parlamentu a Rady EU ze dne 8. června 2011, která se týká omezení použití určitých nebezpečných látek v elektrických a elektronických zařízeních.
- (CS) Na naši vlastní zodpovědnost prohlašujeme, že je tento výrobek v souladu s následujícími standardy a normami: Je v sùlade s normou 2011/65/EÚ Európskeho parlamentu a Rady z 8. júna 2011 týkajúcej sa obmedzenia používania určitých nebezpečných látok v elektrickom a elektronickom vybavení.

Measured sound power level: 77.5 dB(A)

Guaranteed sound power level: 78 dB(A)

Conformity assessment method to Annex VI Directive 2000/14/EC amended by 2005/88/EC.

The notified body involved: Intertek Deutschland GmbH, Certification Body of the Notified Body 0905

EN1012-1, EN 62841-1, EN 55014-1, EN 55014-2, EN61000-3-2, EN61000-3-3, 2011/65/EU, 2014/29/EU, 2000/14/EC, 2005/88/EC, 2006/42/EC, 2014/30/EU, 2012/19/EU

Zwolle, 01-03-2022

H.G.F Rosberg
CEO

VONROC • Lingenstraat 6 • 8028 PM Zwolle • The Netherlands



VONROC®
BUILD YOUR FUTURE

©2022 VONROC
WWW.VONROC.COM

2203-17