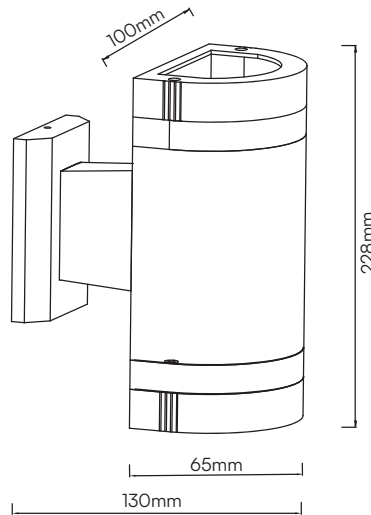




Meaningful Innovation.

## INSTRUCTION MANUAL

### WALL LAMP FITTING



**03** YEAR  
WARRANTY\*

### TECHNICAL DATA

Model	VT-967	IP Rating	IP44
SKU	93573	Body Type	PC
Base	2xE27 [bulbs not included]	Unit Color	Black
Input Power	AC:220-240V,50Hz	Dimension	100x228x65mm

### INTRODUCTION

Thank you for selecting and buying V-TAC product. V-TAC will serve you the best. Please read these instructions carefully before starting the installation and keep this manual handy for future reference. If you have any another query, please contact our dealer or local vendor from whom you have purchased the product. They are trained and ready to serve you at the best.

### WARNING!

1. Please make sure to turn off the power before starting the installation.
2. Installation should only be done by a certified electrician.

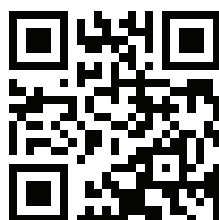
RoHS



This marking indicates that this product should not be disposed of with other household wastes.



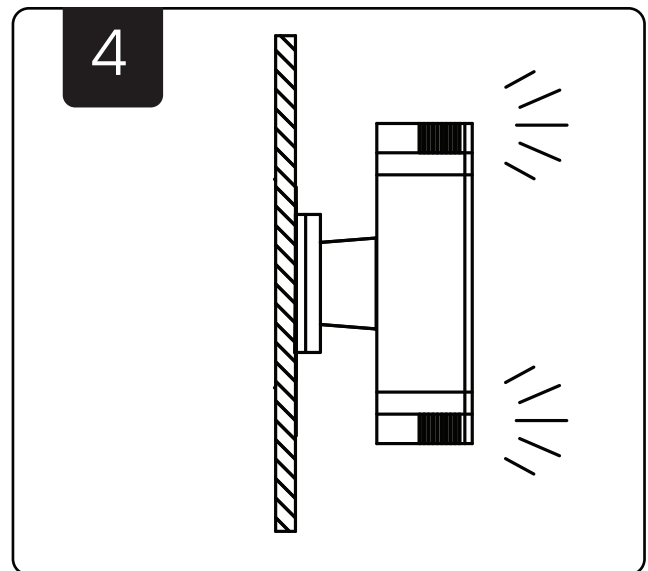
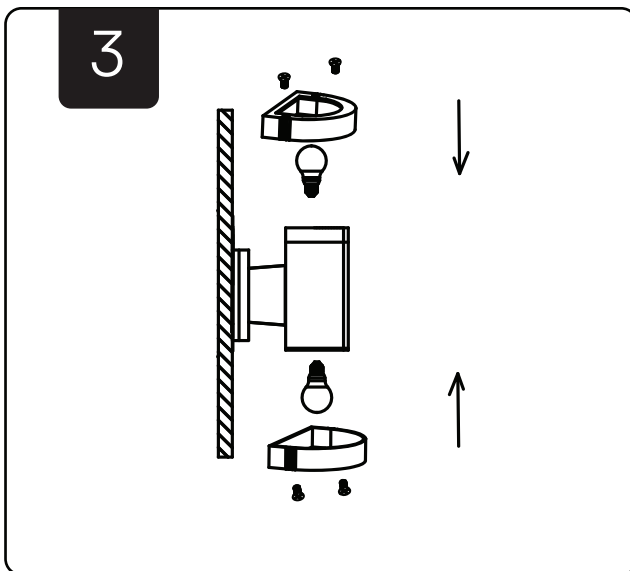
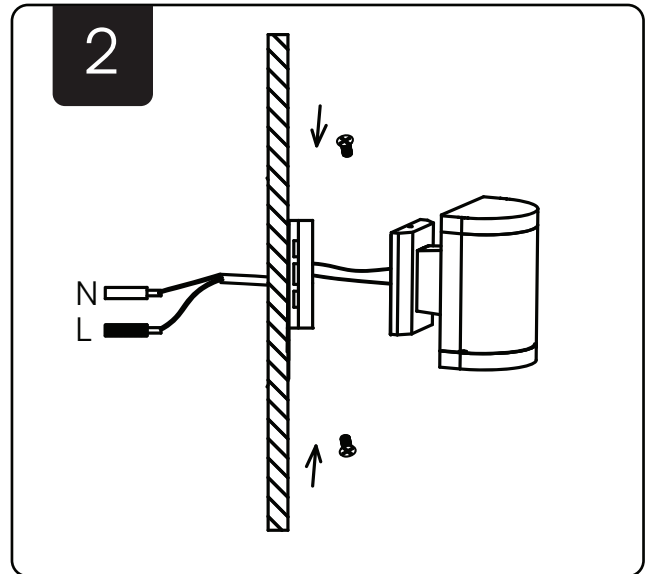
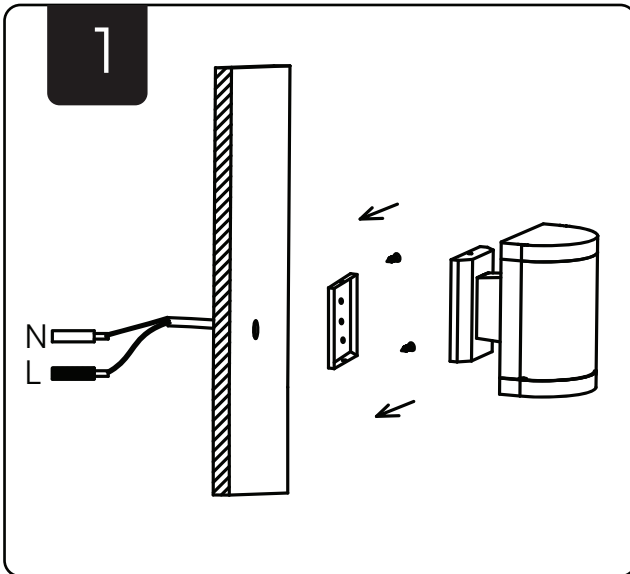
Caution, risk of electric shock.



### MULTI-LANGUAGE MANUAL QR CODE

Please scan the QR code to access the manual in multiple languages.

## INSTALLATION DIAGRAM



### INSTALLATION INSTRUCTION

- Switch off the power.
- Drill two holes on the wall and insert two plastic expansion bolts in it.
- Fix the metal plate on the plastic expansion piece with self-tapping screws.
- Connect the supply leads with terminal.
- Open the lamp and install the bulb in the lamp
- Fix the lamp body on the plate and tighten the screws.
- Switch on the power if above steps are done properly with no mistakes.

### WIRING DIAGRAM:



N - Black / Blue Wire  
L - Brown / Red Wire