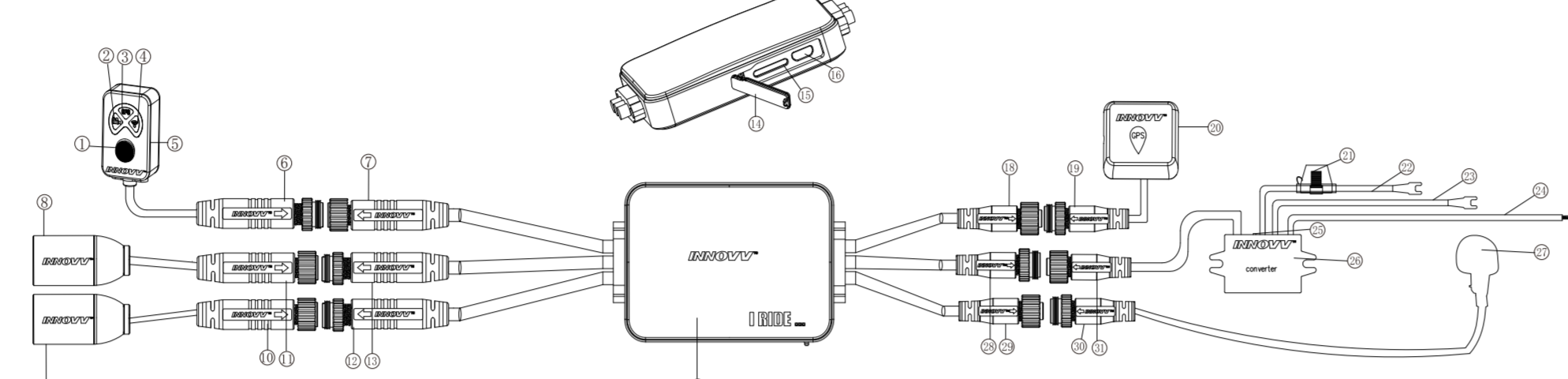


**INNOVV K3 Product Overview**

1. The INNOVV K3 dash cam features dual cameras to provide complete coverage around you, capturing footage in Full HD (1080P at 30 FPS).
2. It is equipped with the Wi-Fi and GPS module, allowing you to access and share routes, tracks and waypoints via INNOVV App.
3. Both of the DVR and cameras are certified with an IP67 rating.
4. Both cameras are constructed of durable and lightweight aerospace aluminum alloys, enabling a better anti-electromagnetic interference capability.
5. It adapts the intelligent DC converter for power supply to better protect the device from battery draining problem.
6. It runs faster and has better performance with dual-core processors on the DVR.
7. It is easy and flexible to install with its small size and smart design.

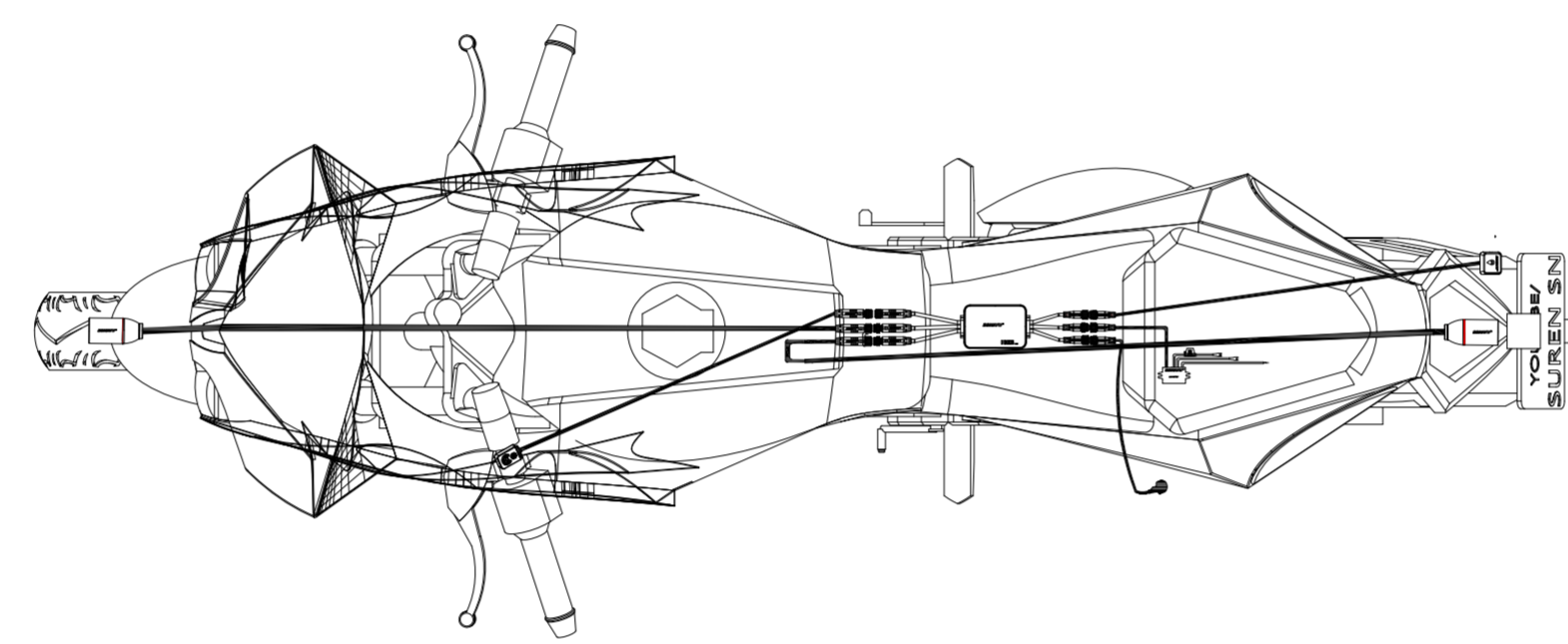


**Brief Introduction**



1. Function Button
2. Recording Indicator
3. GPS Indicator
4. Wi-Fi Indicator
5. Remote Control
6. Remote Control Cable (6-pin male)
7. Remote Control Cable Connected to DVR (6-pin female)
8. Front Camera
9. Rear Camera
10. Rear Camera Cable (6-pin female)
11. Front Camera Cable (6-pin female)
12. Rear Camera Cable Connected to DVR (6-pin male)
13. Front Camera Cable Connected to DVR (6-pin male)
14. Waterproof Silicone Plug
15. TF Card Port
16. USB Port
17. DVR
18. GPS Cable Connected to DVR (3-pin female)
19. GPS Cable (3-pin male)
20. GPS Module
21. Fuse Holder
22. Positive Terminal of Power Supply
23. Negative Terminal of Power Supply
24. ACC Wire (Offers 12V switch power source after ignition)
25. Power Indicator (Blue light on means there is 5.3V voltage)
26. DC Converter
27. Microphone
28. Power Input Cable Connected to DVR (3-pin male)
29. Microphone Cable Connected to DVR (2-pin female)
30. Microphone Cable (2-pin male)
31. Power Output Cable (3-pin female)

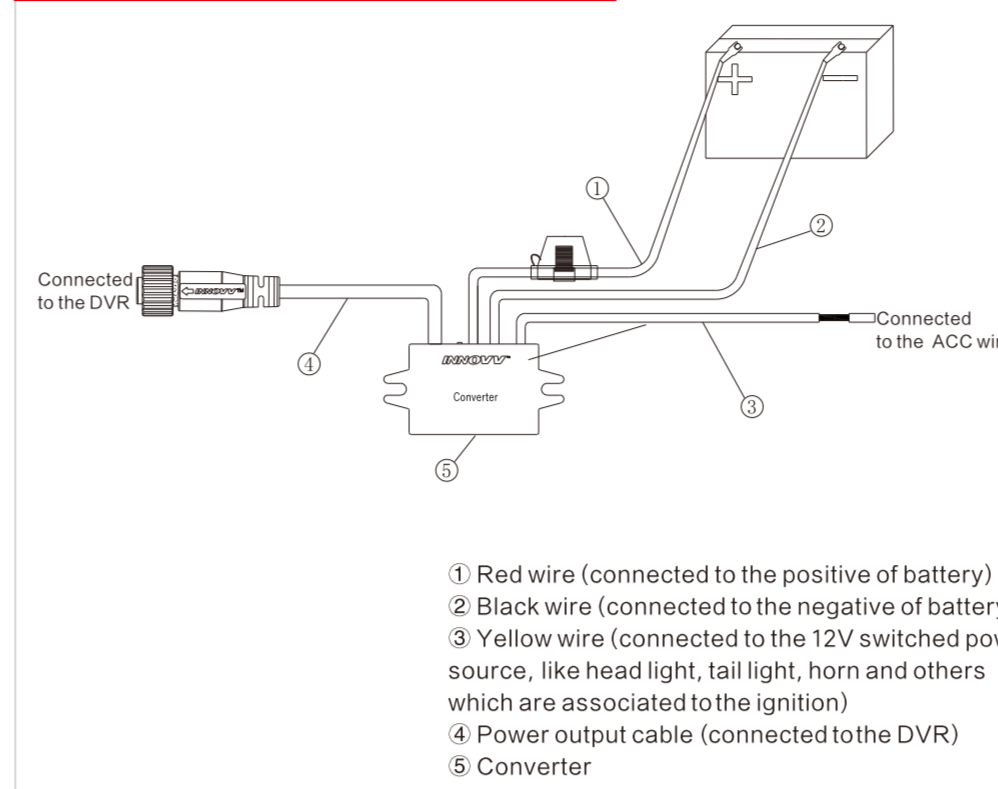
**Motorcycle Installation Demo**



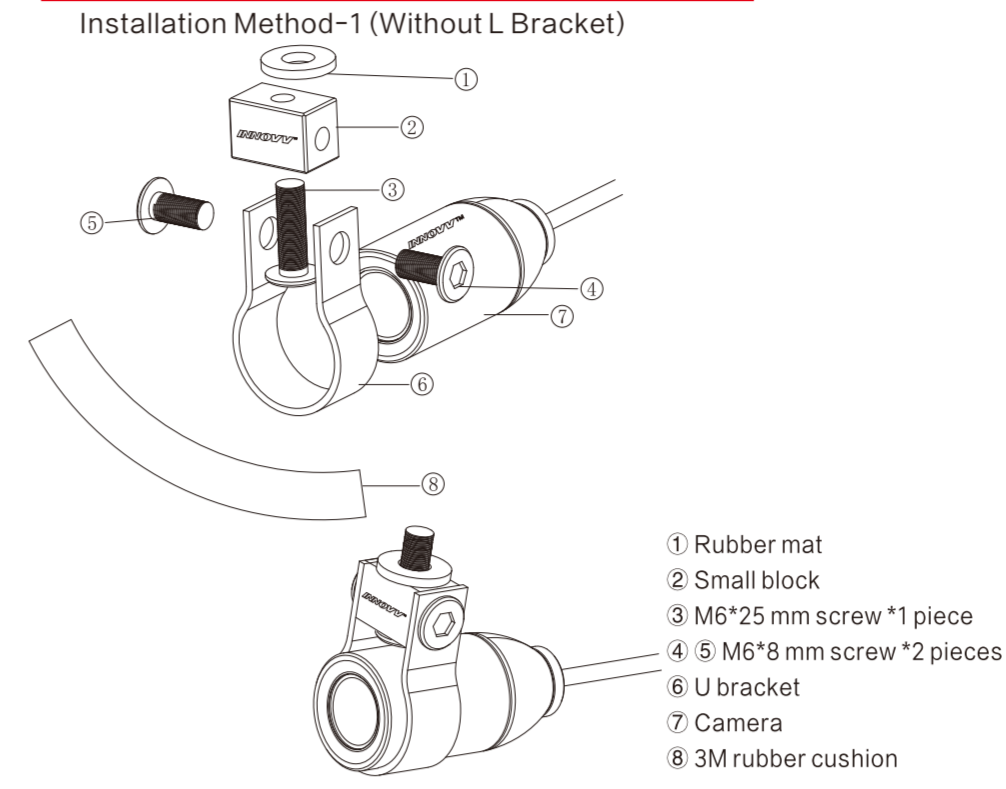
www.innovv.com

**The Installation Guide**

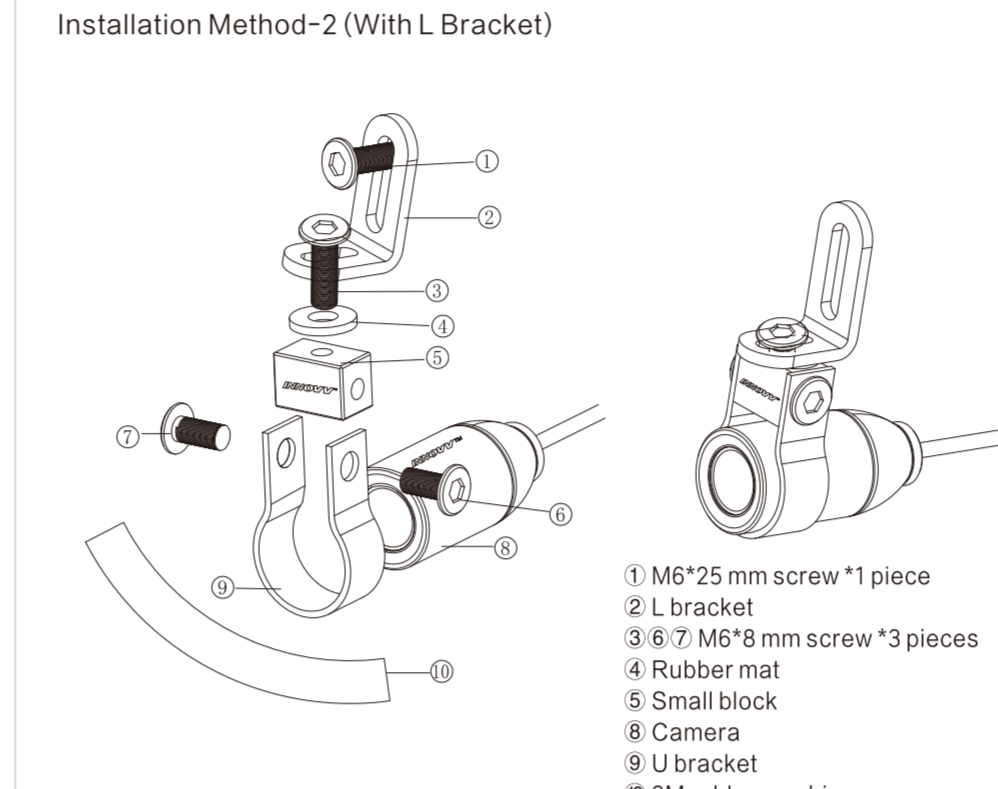
**Converter Installation**



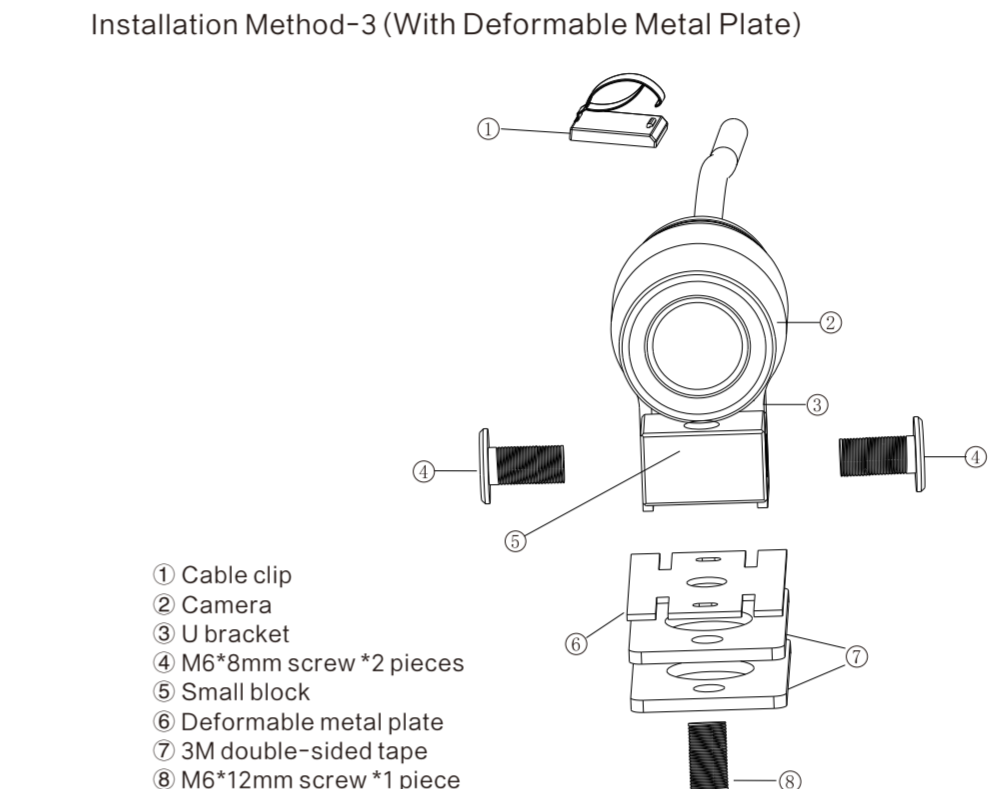
**Camera Installation**



**Camera Installation**



**Camera Installation**



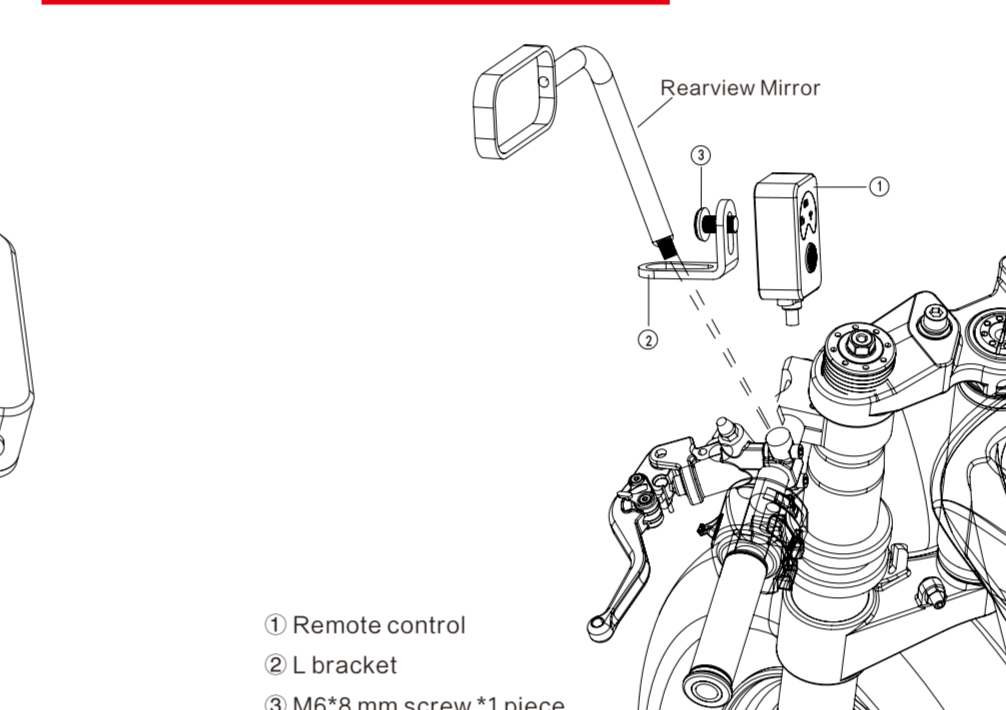
**Remote Control Instruction**

Status	LED Indicators					
	Flash quickly (5 flashes per second)	Flash quickly (10 flashes per second)	Flash quickly for 10 seconds (10 flashes per second)	Flash quickly for 10 seconds (10 flashes per second)	Flash quickly for 10 seconds (10 flashes per second)	Flash quickly (only 1 flash)
Not working	Records	No TF Card/TF Card Error	Network	Accelerator, parked, Success (parking), Microphone, Power, Temperature, Speed, Voltage, etc.	Success (parking), Microphone, Power, Temperature, Speed, Voltage, etc.	Power supply (only 1 flash)
Wi-Fi Off	Connects or disconnects	Connects	Connecting	Connecting	Connecting	Connecting
GPS Off	Connects	Connecting	Connecting	Connecting	Connecting	Connecting

Three indicators flash simultaneously  
Instruction of the function button on remote control

1. Sleep current video by pressing the button for 10s.
2. Photo and video recording in a short time.
3. Factory reset by pressing the button for 15 seconds.

**Remote Control Installation**



**App Installation Guide**

**App Download**

Android User: Search INNOVV in Google Play Store, then download and install it on your phone.  
iPhone User: Search INNOVV in App Store, then download and install it on your phone.

With the DVR working normally and the Wi-Fi indicator lights on, please kindly turn on the Wi-Fi and then search the Wi-Fi network named INNOVV\_K3\_xxxx, and you could easily join with the default password 12345678.

Some Android users may get the error message that "This Wi-Fi Network has no internet access. Connect anyway?" Please kindly click the "Connect" button to continue the network connection.



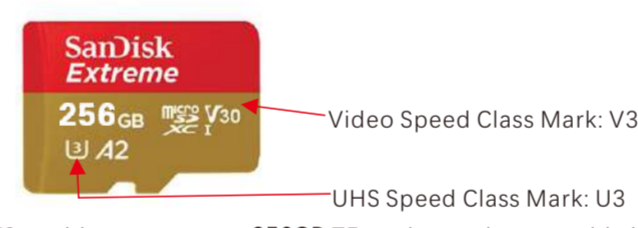
**App Interface**

- Home Screen:** Shows camera status, recording indicator, and full-screen mode.
- Settings:** Includes options for camera resolution, frame rate, and parking mode.
- Video Playback:** Shows a list of recorded videos with thumbnails and timestamps.
- File Management:** Allows users to view and manage files stored on the TF card.
- System Settings:** Includes options for language, date/time, and privacy policy.
- Advanced Settings:** Includes options for G-sensor sensitivity, microphone volume, and parking mode.

www.innovv.com

**TF Card Instruction**

INNOVV K3 dash cam requires at least a U1 (UHS Speed Class 1), V10 (Video Speed Class 10) rated or faster TF card to ensure better performance.



The INNOVV K3 could support up to 256GB TF card capacity to enable long recording times.

**Microphone Instruction**

An open foam cover around the microphone is used as the first line of defence against wind noise. You are suggested to put the microphone against the heading direction to further minimize the wind noise.

**Parking Mode Instruction**

If the Parking Mode has been enabled with INNOVV App on your phone, INNOVV K3 will provide around-the-clock protection when you are away and even the engine is not running. The K3's smart power supply module triggers parking mode automatically, and the INNOVV K3 will wake up and start recording when an impact or motion is detected by the built-in G-Sensor.

In order to make the Parking Mode function properly, please make sure that the INNOVV K3 should always be connected to a power source. And the red wire and the black wire of the converter shall be connected to the motorcycle battery's positive terminal and negative terminal separately. The yellow cable shall be connected to the ACC wire. The output voltage of the battery shall be at least 12V.

**G-Sensor Instruction**

There are 5 grades for the G-sensor's sensitivity and each grade has 2 options. Users could easily adjust that with INNOVV App according to different road conditions. The smaller the number is, and the less sensitive the G-sensor is.

**Specification**

Model		K3	
Structure/Parameters		Parameters of Lens	
Installation	Quick assembly with 3M double-sided tape	Maximum Resolution	1080P/30FPS
DVR Size	85*25 mm	Viewing Angle	127°
Lens Size	Di: 27*5 mm	Structure	IS-IR
Weight	7g	Aperture	F1.8
Color	Black	Maximum Resolution	1080P/30FPS
Waterproof Rating	IP67	Viewing Angle	127°
		Structure	IS-IR
		Aperture	F1.8
Parameter of DVR		Parameter of Converter	
Processor	Dual-core	Voltage Input	9-18V
RAM	64	ACC Input	9-18V
Sensor	G-Sensor	ACC Output	5.3V±2V
Storage	TF card	Voltage Output	1.2V±0.2V
WiFi	2.4 GHz	Max Current	2A
Data Interface	Micro USB	Working Temperature	-20°C~70°C
Video Format	MP4/TS		
GPS	GPS		
Working Temperature	-20°C~70°C		
Voltage Input	5.3V±0.5V		

**Basic Troubleshooting Guidelines**

Number	Problems	Solutions
1	Recording Indicator flashes slowly and it is not working.	Please kindly check the TF card lead to its low quality/TF card.
2	The recording videos are blurry and the sharp peaks are lost.	Please kindly clean the camera lens with a lens tissue or cleaning cloth.
3	The DVR is not working after motorcycle ignition.	Please kindly check the yellow ACC wire and other cable connection first.
4	There is no video by rear camera.	Please kindly check the rear camera connector and related cables.
5	There are many videos recorded in normal mode are saved in the recent accident videos.	Please kindly decrease the sensitivity of the G-sensor in settings with INNOVV App.
6	There is no sound in videos.	Please kindly make sure you have turned on the Microphone. If that still fails, please kindly turn off the front-top video in settings with INNOVV App.

**Important Notice**

**!** Please make sure that the Microphone cable is not close to the GPS cable.

www.innovv.com