

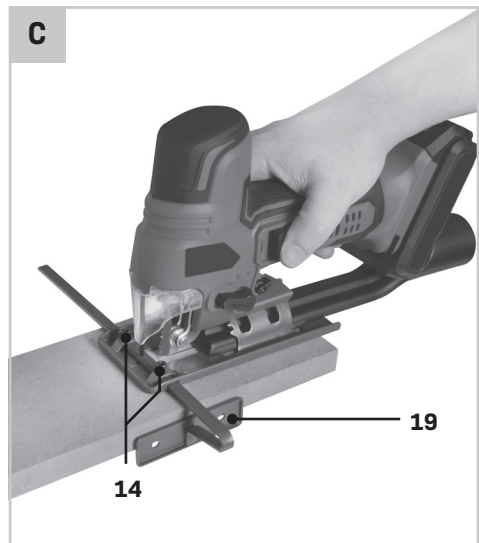
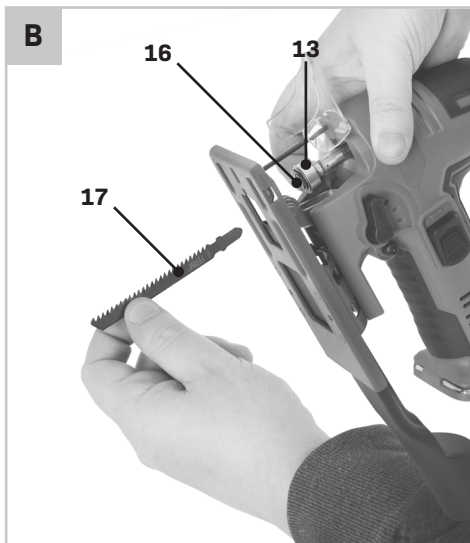
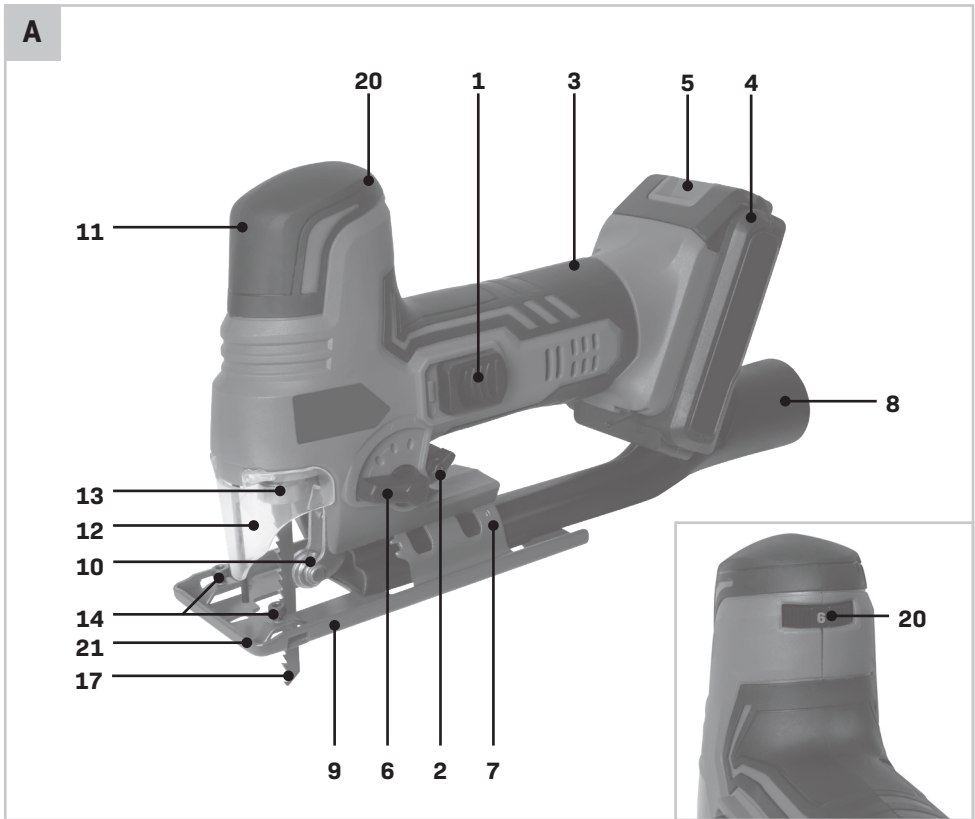


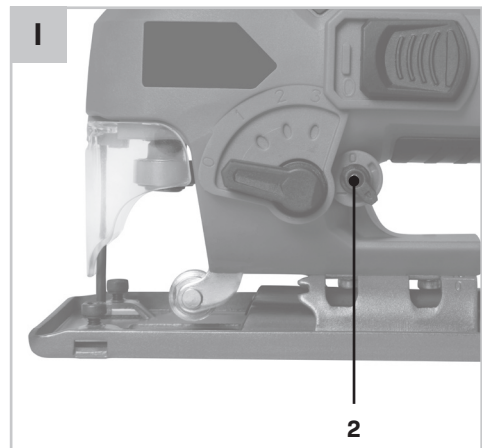
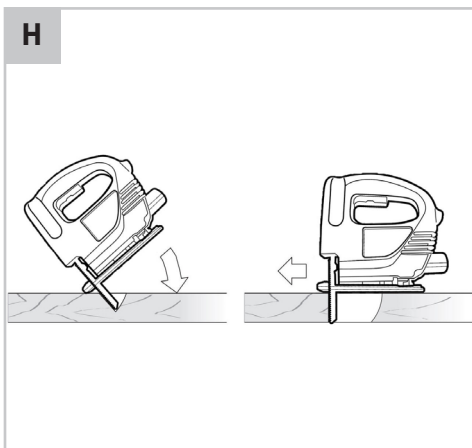
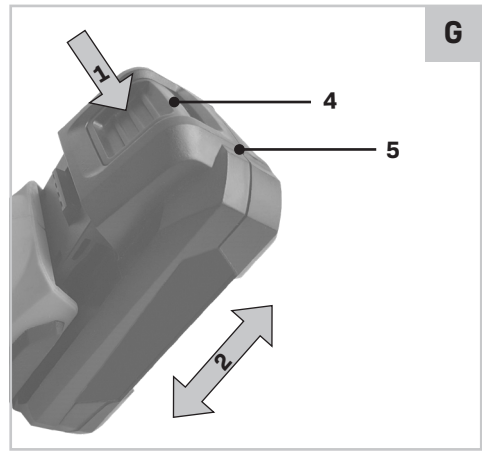
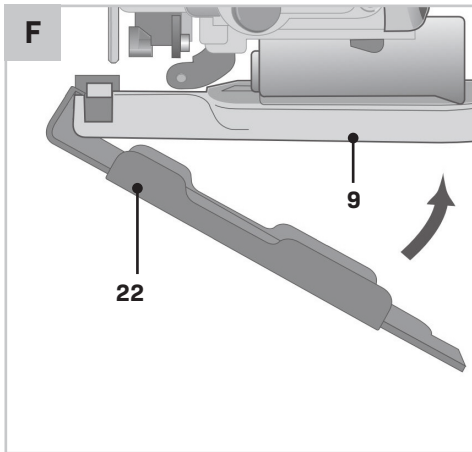
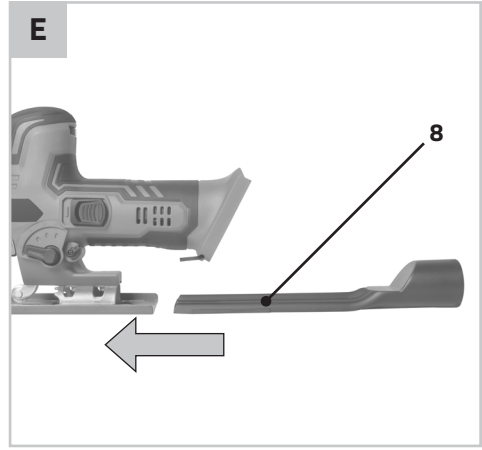
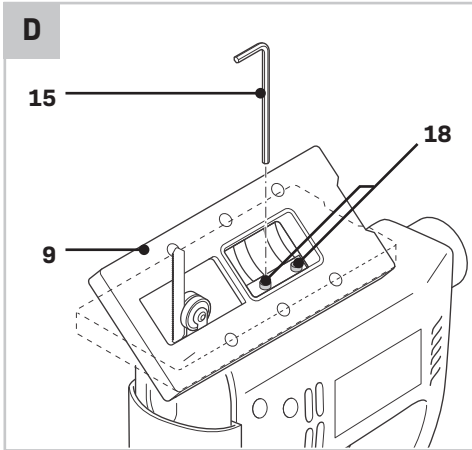
**VONROC®**  
BUILD YOUR FUTURE

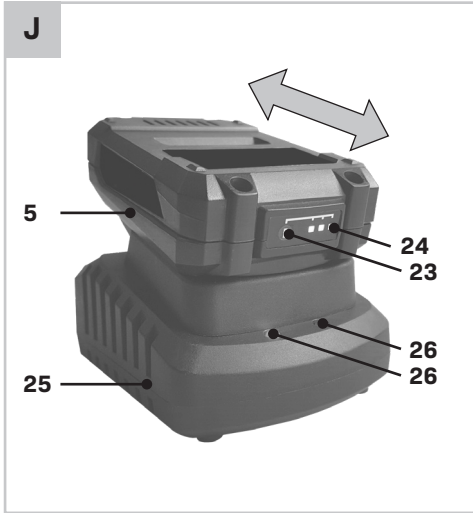
**JIG SAW**  
**JS504DC / S\_JS504DC / S2\_JS504DC**  
**S3\_JS504DC / S4\_JS504DC**



<b>EN</b>	Original Instructions	05
<b>DE</b>	Übersetzung Der Originalbetriebsanleitung	12
<b>NL</b>	Vertaling van de oorspronkelijke gebruiksaanwijzing	20
<b>FR</b>	Traduction de la notice originale	28
<b>ES</b>	Traducción del manual original	36
<b>IT</b>	Traduzione delle istruzioni originali	44
<b>SV</b>	Översättning av bruksanvisning i original	52
<b>DA</b>	Oversættelse af den originale brugsanvisning	59
<b>PL</b>	Tłumaczenie instrukcji oryginalnej	66
<b>RO</b>	Traducere a instrucțiunilor originale	74
<b>PT</b>	Tradução do manual original	82
<b>HU</b>	Az eredeti használati útmutató fordítása	90
<b>CS</b>	Překlad originálního návodu k obsluze	98
<b>TR</b>	Orijinal talimatların çevirisi	106







## 1. SAFETY INSTRUCTIONS

Read the enclosed safety warnings, the additional safety warnings and the instructions. Failure to follow the safety warnings and the instructions may result in electric shock, fire and/or serious injury. Save the safety warnings and the instructions for future reference.

The following symbols are used in the user manual or on the product:



Read the user manual.



Denotes risk of personal injury, loss of life or damage to the tool in case of non-observance of the instructions in this manual.



Variable electronic speed.



Wear safety goggles.  
Wear hearing protection.



Wear a dust mask protection.



Time-lag miniature fuse-link.



Max temperature 45 °C.



Do not throw the battery into fire.



Do not throw the battery into water.



Separate collection for Li-ion battery.



The product is in accordance with the applicable safety standards in the European directives.

### GENERAL POWER TOOL SAFETY WARNINGS



**WARNING! Read all safety warnings and all instructions.** Failure to follow the warnings and instructions may result in electric shock, fire and/or serious injury.

#### Save all warnings and instructions for future reference.

The term “power tool” in the warnings refers to your mains-operated (corded) power tool or battery-operated (cordless) power tool.

- 1) **Work area safety**
  - a) **Keep the work area clean and well lit.** Cluttered or dark areas invite accidents.
  - b) **Do not operate power tools in explosive atmospheres, such as in the presence of flammable liquids, gases or dust.** Power tools create sparks which may ignite the dust or fumes.
  - c) **Keep children and bystanders away while operating a power tool.** Distractions can cause you to lose control.

### 2) Electrical safety

- a) **Power tool plugs must match the outlet. Never modify the plug in any way. Do not use any adapter plugs with earthed (grounded) power tools.** Unmodified plugs and matching outlets will reduce risk of electric shock.
- b) **Avoid body contact with earthed or grounded surfaces, such as pipes, radiators, ranges and refrigerators.** There is an increased risk of electric shock if your body is earthed or grounded.
- c) **Do not expose power tools to rain or wet conditions.** Water entering a power tool will increase the risk of electric shock.
- d) **Do not abuse the cord. Never use the cord for carrying, pulling or unplugging the power tool. Keep cord away from heat, oil, sharp edges or moving parts.** Damaged or entangled cords increase the risk of electric shock.
- e) **When operating a power tool outdoors, use an extension cord suitable for outdoor use.** Use of a cord suitable for outdoor use reduces the risk of electric shock.
- f) **If operating a power tool in a damp location is unavoidable, use a residual current device (RCD) protected supply.** Use of an RCD reduces the risk of electric shock.

### 3) Personal safety

- a) **Stay alert, watch what you are doing and use common sense when operating a power tool. Do not use a power tool while you are tired or under the influence of drugs, alcohol or medication.** A moment of inattention while operating power tools may result in serious personal injury.
- b) **Use personal protective equipment. Always wear eye protection.** Protective equipment such as dust mask, non-skid safety shoes, hard hat, or hearing protection used for appropriate conditions will reduce personal injuries.
- c) **Prevent unintentional starting. Ensure the**

**switch is in the off-position before connecting to power source and/or battery pack, picking up or carrying the tool.** Carrying power tools with your finger on the switch or energising power tools that have the switch on invites accidents.

- d) **Remove any adjusting key or wrench before turning the power tool on.** A wrench or a key left attached to a rotating part of the power tool may result in personal injury.
  - e) **Do not overreach. Keep proper footing and balance at all times.** This enables better control of the power tool in unexpected situations.
  - f) **Dress properly. Do not wear loose clothing or jewellery. Keep your hair, clothing and gloves away from moving parts.** Loose clothes, jewellery or long hair can be caught in moving parts.
  - g) **If devices are provided for the connection of dust extraction and collection facilities, ensure these are connected and properly used.** Use of dust collection can reduce dust related hazards.
  - h) **Do not let familiarity gained from frequent use of tools allow you to become complacent and ignore tool safety principles.** A careless action can cause severe injury within a fraction of a second.
- 4) Power tool use and care**
- a) **Do not force the power tool. Use the correct power tool for your application.** The correct power tool will do the job better and safer at the rate for which it was designed.
  - b) **Do not use the power tool if the switch does not turn it on and off.** Any power tool that cannot be controlled with the switch is dangerous and must be repaired.
  - c) **Disconnect the plug from the power source and/or the battery pack from the power tool before making any adjustments, changing accessories, or storing power tools.** Such preventive safety measures reduce the risk of starting the power tool accidentally.
  - d) **Store idle power tools out of the reach of children and do not allow persons unfamiliar with the power tool or these instructions to operate the power tool.** Power tools are dangerous in the hands of untrained users.
  - e) **Maintain power tools. Check for misalignment or binding of moving parts, breakage of parts and any other condition that may affect the power tool's operation. If damaged, have the power tool repaired before use.** Many accidents are caused by poorly maintained power tools.

- f) **Keep cutting tools sharp and clean.** Properly maintained cutting tools with sharp cutting edges are less likely to bind and are easier to control.
- g) **Use the power tool, accessories and tool bits etc. in accordance with these instructions, taking into account the working conditions and the work to be performed.** Use of the power tool for operations different from those intended could result in a hazardous situation.
- h) **Keep handles and grasping surfaces dry, clean and free from oil and grease.** Slippery handles and grasping surfaces do not allow for safe handling and control of the tool in unexpected situations.

#### **5) Battery tool use and care**

- a) **Recharge only with the charger specified by the manufacturer.** A charger that is suitable for one type of battery pack may create a risk of fire when used with another battery pack.
- b) **Use power tools only with specifically designed battery packs.** Use of any other battery packs may create a risk of injury and fire.
- c) **When battery pack is not in use, keep it away from other metal objects, like paper clips, coins, keys, nails, screws or other small metal objects that can make a connection from one terminal to another.** Shorting the battery terminals together may cause burns or a fire.
- d) **Under abusive conditions, liquid may be ejected from the battery; avoid contact. If contact accidentally occurs, flush with water. If liquid contacts eyes, additionally seek medical help.** Liquid ejected from the battery may cause irritation or burns.
- e) **Do not use a battery pack or tool that is damaged or modified.** Damaged or modified batteries may exhibit unpredictable behaviour resulting in fire, explosion or risk of injury.
- f) **Do not expose a battery pack or tool to fire or excessive temperature.** Exposure to fire or temperature above 130 °C may cause explosion. NOTE The temperature „130 °C“ can be replaced by the temperature „265 °F“.
- g) **Follow all charging instructions and do not charge the battery pack or tool outside the temperature range specified in the instructions.** Charging improperly or at temperatures outside the specified range may damage the battery and increase the risk of fire.

## 6) Service

- a) **Have your power tool serviced by a qualified repair person using only identical replacement parts.** This will ensure that the safety of the power tool is maintained.
- b) **Never service damaged battery packs.** Service of battery packs should only be performed by the manufacturer or authorized service providers.

## SAFETY WARNINGS FOR JIG SAWS

- **Hold power tool by insulated gripping surfaces, when performing an operation where the cutting accessory may contact hidden wiring.** Cutting accessory contacting a "live" wire may make exposed metal parts of the power tool "live" and could give the operator an electric shock.
- **Keep hands away from the sawing range.** Do not reach under the workpiece. Contact with the saw blade can lead to injuries.
- **Apply the machine to the workpiece only when switched on.** Otherwise there is danger of kickback when the cutting tool jams in the workpiece.
- **Pay attention that the base plate rests securely on the material while sawing.** A jammed saw blade can break or lead to kickback.
- **When the cut is completed, switch off the machine and then pull the saw blade out of the cut only after it has come to a standstill.** In this manner you can avoid kickback and can place down the machine securely.
- **Use only undamaged saw blades that are in perfect condition.** Bent or dull saw blades can break, negatively influence the cut, or lead to kickback.
- **Do not brake the saw blade to a stop by applying side pressure after switching off.** The saw blade can be damaged, break or cause kickback.
- **Use appropriate detectors to determine if utility lines are hidden in the work area or call the local utility company for assistance.** Contact with electric lines can lead to fire and electric shock. Damaging a gas line can lead to explosion. Penetrating a water line causes property damage.
- **Secure the workpiece.** A workpiece clamped with clamping devices or in a vice is held more secure than by hand.
- **Always wait until the machine has come to a complete stop before placing it down.** The tool insert can jam and lead to loss of control over the power tool.
- **Use clamps or another practical way to secure and support the workpiece to a stable platform.** Holding the workpiece by hand or against your

body leaves it unstable and may lead to loss of control.

## SAFETY WARNINGS FOR BATTERY

- a) **Do not open the battery.** Danger of shortcircuiting.
- b) **Protect the battery against heat, e. g., against continuous intense sunlight, fire, water, and moisture.** Danger of explosion.
- c) **In case of damage and improper use of the battery, vapours may be emitted. Ventilate the area and seek medical help in case of complaints.** The vapours can irritate the respiratory system.
- d) **Use the battery only in conjunction with your Vonroc product.** This measure alone protects the battery against dangerous overload.
- e) **The battery can be damaged by pointed objects such as nails or screwdrivers or by force applied externally.** An internal short circuit can occur and the battery can burn, smoke, explode or overheat.

## SAFETY WARNINGS FOR CHARGER

### Intended use

Charge only CD801AA and CD803AA type rechargeable Battery packs with the charger. Other types of batteries may burst causing personal injury and damage.

- a) **The appliance is not to be used by persons (including children) with reduced physical, sensory or mental capabilities, or lack of experience and knowledge, unless they have been given supervision or instruction.**
- b) **Children being supervised not to play with the appliance.**
- c) **Do not recharging non-rechargeable batteries!**
- d) **During charging, batteries must be placed in the well ventilated area!**

## 2. MACHINE INFORMATION

### Intended use

The machine is intended for sawing wood, metal, plastics, ceramics, rubber, etc. to any required size and in any required shape, while keeping the baseplate resting firmly on the workpiece. A suitable saw blade must always be used.

## TECHNICAL SPECIFICATIONS




*This manual has been drawn up for different sets / article numbers. Check the corresponding article number in below specifications table for the correct composition and contents of your set.*

Model No	Batteries included	Chargers included
<b>JS504DC</b>	-	-
<b>S_JS504DC</b>	CD801AA	CD802AA
<b>S2_JS504DC</b>	2 x CD801AA	CD802AA
<b>S3_JS504DC</b>	CD803AA	CD802AA
<b>S4_JS504DC</b>	CD801AA	CD802AA

Machine information	
Rated voltage	20V
No load speed	1000-2300/min
Saw stroke	17.5mm
Max. saw capacity wood 0°	65mm
Max. saw capacity steel 0°	8mm
Weight	1.40 kg
Sound pressure level LPA	86.0 dB(A), K=5dB(A)
Sound power level LWA	97.0 dB(A), K=5dB(A)
Vibration 'sawing sheet metal'	6.537 m/s <sup>2</sup> K=1.5 m/s <sup>2</sup>
Vibration 'sawing plywood'	7.317 m/s <sup>2</sup> K=1.5 m/s <sup>2</sup>

Model No	CD801AA
Battery Type	Lithium-Ion
Voltage	20V
Capacity	2.0 Ah
Recommended charger	CD802AA
Weight	0.3 kg

Model No	CD802AA
Charger input	220-240V,50Hz 0.4A
Charger output	21V 2.5A
Charging time 2Ah battery	60 minutes
Charging time 4Ah battery	120 minutes
Recommended batteries	CD801AA, CD803AA
Weight	0.36 kg

Model No	CD803AA
Battery Type	Lithium-Ion
Voltage	20V 
Capacity	4.0 Ah

Recommended charger	CD802AA
Weight	0.65 kg

Only use the following batteries of the VONROC VPOWER 20V battery platform. Using any other batteries could cause serious injury or damage the tool.

CD801AA 20V, 2Ah Lithium-Ion

CD803AA 20V, 4Ah Lithium-Ion

The following charger of the can be used to charge these batteries.

CD802AA Quick charger

The batteries of the VONROC VPOWER 20V battery platform are interchangeable with all the VONROC VPOWER 20V battery platform tools.

### Vibration level

The vibration emission level stated in this instruction manual has been measured in accordance with a standardized test given in EN 62841; it may be used to compare one tool with another and as a preliminary assessment of exposure to vibration when using the tool for the applications mentioned.

- Using the tool for different applications, or with different or poorly maintained accessories, may significantly increase the exposure level.
- The times when the tool is switched off or when it is running but not actually doing the job, may significantly reduce the exposure level.

Protect yourself against the effects of vibration by maintaining the tool and its accessories, keeping your hands warm, and organizing your work patterns.

### DESCRIPTION

The numbers in the text refer to the diagrams on page 2-4.

- On/off switch
- Dust blower switch
- Main handle
- Battery unlock button
- Battery
- Pendulum action switch
- Scale for bevel angle
- Vacuum cleaner adapter
- Baseplate
- Guide roller
- Auxiliary handle



- 12. Guard
- 13. Clamping lever
- 14. Wing bolts for parallel guide
- 15. Hex key
- 16. Chuck
- 17. Saw blade
- 18. Bolt for baseplate
- 19. Parallel guide
- 20. Speed adjustment wheel
- 21. Cutting mark
- 22. Baseplate cover
- 23. Battery LED indicators button
- 24. Battery LED indicators
- 25. Charger
- 26. Charger LED indicators

### 3. ASSEMBLY



*Before any work on the power tool, remove the battery.*



*The battery must be charged before first use.*

#### Inserting the battery into the machine (Fig. A, G)



*Ensure that the exterior of the battery is clean and dry before connecting to the charger or machine.*

1. Insert the battery (5) into the base of the machine as shown in Fig. G.
2. Push the battery further forward until it clicks into place.

#### Removing the battery from the machine (Fig. A, G)

1. Push the battery unlock button (4)
2. Pull the battery out of the machine like shown in Fig. G.

#### Checking the battery charging status (Fig. J)

- To check the battery charge status, push the button (23) on battery shortly.
- The battery has 3 lights indicating the charge level, the more lights that burn, the more charge the battery has left.
- When the lights are not burning it means the battery is empty and must be charged immediately.

#### Charging the battery with the charger (Fig. J)

1. Take the battery (5) from the machine.
2. Turn the battery (5) to upside down position and slide it onto the charger (25) as shown in Fig. J.

3. Push the battery until it is fully pushed into the slot.
4. Plug the charger plug into an electrical outlet and wait for a while. The LED indicators on the charger (26) will lighten up and show the charger status.

#### The charger has 2 LED indicators (26) which indicate the status of the charging process:

Red LED Status	Green LED status	Charger status
Off	Off	No power
Off	On	Standby mode: - No battery is inserted or, - Battery inserted but charging has finished
On	Off	Battery charging in progress

- Fully charging the 2Ah battery may take up to 60 minutes.
- Fully charging the 4Ah battery may take up to 120 minutes.

After the battery is fully charged remove the charger plug from the outlet and remove the battery from the charger.



*When the machine is not being used over a longer period of time it is best to store the battery in charged condition.*

#### Replacing the saw blade (Fig. A, B)



*When mounting the saw blade, wear protective gloves. Danger of injury when touching the saw blade.*



*Only use saw blades that correspond with the characteristic data given in the operating instructions.*

#### Mounting the saw blade



*Make sure the blade holder is free of material debris (such as splinters of wood or metal).*

1. Turn the clamping lever (13) as far to the left as possible and hold it in this position.
2. Insert the saw blade in the chuck (16). Check that the saw blade is securely fixed and that the

teeth are pointing in the cutting direction.

- Let go of the clamping lever. Check whether the back of the saw blade is positioned in the centre of the guide roller (10).

Make sure to use the right sawblade for the corresponding material. Included with the machine is a coarse sawblade for wood and a fine sawblade for metal and plastics.

#### Removing the saw blade

- Turn the clamping lever (13) as far to the left as possible and hold it in this position.
- Remove the saw blade from the chuck (16).
- Let go of the clamping lever.

#### Attaching the parallel guide (Fig. C)

- Loosen the wing bolts (14).
- Mount the parallel guide (19) onto the baseplate (9).
- Set the desired cutting width using the scale on the parallel guide (19) and the cutting mark on the baseplate (21). The cutting mark (21) indicates the position of the saw blade.
- Tighten the wing bolt (14).

## 4. OPERATION

#### Switching the machine on/off (Fig. A)

- To switch the machine on, push the switch forward and press the On/off switch (1).
- To switch the machine off, release the On/off switch (1).

#### Setting the speed (Fig. A)

The speed adjustment wheel (20) is used for setting the speed. The ideal speed depends on the profile and the teeth of the saw blade and on the material to be worked.



*Do not set the speed during use.*

Turn the speed adjustment wheel (20) to the required position.

- For hard materials, use a saw blade with fine teeth and select a lower speed.
- For soft materials, use a saw blade with coarse teeth and select a higher speed..

#### Adjusting the bevel angle (Fig. A, D)

- Loosen the bolt (18), using the hex key (15).
- Adjust the baseplate (9) to the desired position (0°- 45°). The sawing angle (bevel) can be read on the scale (7).
- Tighten the bolt (18), using the hex key (15).

#### Adjusting the pendulum action (Fig. A)

The pendulum action switch (6) is used to set the way in which the teeth of the saw blade grip the material.

The pendulum action switch can be set to 4 positions:

- 0 - No pendulum action
- 1 - Small pendulum action
- 2 - Medium pendulum action
- 3 - Large pendulum action

The required pendulum action can be determined by practical testing, although the following instructions can be observed:

- Soft material (wood, plastics etc.): set the pendulum to level II or III. For a finer and cleaner saw cut, use pendulum level 0 or I.
- Thin material, use pendulum level 0.
- Hard material (steel etc.): set the pendulum to level 0.
- Curves: set pendulum to level 0.

#### Plunge cutting (Fig. H)

Plunge cutting may only be used on soft materials such as wood, aerated concrete, gypsum plaster boards, etc. However, this requires a certain practise and is only possible with short saw blades.

- Place the saw onto the workpiece and switch it on.
- Ensure that the bottom edge of the footplate rests on the workpiece surface as shown on Fig. H.
- Slowly saw into the workpiece at an angle, moving the saw to a vertical position and continue to saw along the cutting line.
- Switch the saw off and lift off the workpiece when the work is complete.

#### Dust extraction (Fig. E)

- Insert the vacuum cleaner adapter (8) into the dust extraction connection.
- Connect the hose of a vacuum cleaner to the vacuum cleaner adapter (8).

**Note:** the dust blow function must be deactivated when using a vacuum cleaner.

**Dust blow function (Fig. 1)**

The cutting line can be kept clear of chips and debris by using the dust blow function.

- To activate the dust blow function, move the dust blower switch (2) downwards.
- To de-activate the dust blow function, move the dust blower switch (2) upwards.

**Optimum use**

- Clamp the workpiece. Use a clamping device for small workpieces.
- Draw a line to define the direction in which to guide the saw blade.
- Firmly hold the machine by the grip.
- Set the sawing speed.
- Set the mitre angle.
- Switch on the machine.
- Wait until the machine has reached full speed.
- Place the saw shoe on the workpiece.
- Slowly move the machine along the pre-drawn line, firmly pressing the saw shoe against the workpiece.
- Do not apply too much pressure on the machine. Let the machine do the work.
- Switch off the machine and wait for the machine to come to a complete standstill before putting the machine down.

**5. MAINTENANCE**

*Before cleaning and maintenance, always switch off the machine and remove the battery pack from the machine.*

Clean the machine casings regularly with a soft cloth, preferably after each use. Make sure that the ventilation openings are free of dust and dirt. Remove very persistent dirt using a soft cloth moistened with soapsuds. Do not use any solvents such as gasoline, alcohol, ammonia, etc. Chemicals such as these will damage the synthetic components.

**ENVIRONMENT**

*Faulty and/or discarded electrical or electronic apparatus have to be collected at the appropriate recycling locations.*

**Only for EC countries**

Do not dispose of power tools into domestic waste. According to the European Guideline 2012/19/EC

for Waste Electrical and Electronic Equipment and its implementation into national right, power tools that are no longer usable must be collected separately and disposed of in an environmentally friendly way.

**WARRANTY**

VONROC products are developed to the highest quality standards and are guaranteed free of defects in both materials and workmanship for the period lawfully stipulated starting from the date of original purchase. Should the product develop any failure during this period due to defective material and/or workmanship then contact VONROC directly.

The following circumstances are excluded from this guarantee:

- Repairs and or alterations have been made or attempted to the machine by unauthorized service centers;
- Normal wear and tear;
- The tool has been abused, misused or improperly maintained;
- Non-original spare parts have been used.

This constitutes the sole warranty made by company either expressed or implied. There are no other warranties expressed or implied which extend beyond the face hereof, herein, including the implied warranties of merchantability and fitness for a particular purpose. In no event shall VONROC be liable for any incidental or consequential damages. The dealers remedies shall be limited to repair or replacement of nonconforming units or parts.

**The product and the user manual are subject to change. Specifications can be changed without further notice.**

## 1. SICHERHEITSANWEISUNGEN

Lesen Sie die beiliegenden Sicherheitsanweisungen, die zusätzlichen Sicherheitsanweisungen sowie diese Bedienungsanleitung sorgfältig durch. Bei Nichtbeachten der Sicherheitsanweisungen und der Bedienungsanleitung kann es zu einem Stromschlag, einem Brand und/oder schweren Verletzungen kommen. Bewahren Sie die Sicherheitsanweisungen und die Bedienungsanleitung zur künftigen Bezugnahme sicher auf.

Folgende Symbole werden im Benutzerhandbuch oder auf dem Produkt verwendet:



*Benutzerhandbuch/Bedienungsanleitung lesen.*



*Lebens- und Verletzungsgefahr und Gefahr von Beschädigungen am Werkzeug/Gerät bei Nichteinhaltung der Anweisungen in dieser Bedienungsanleitung.*



*Elektronische Drehzahlregelung.*



*Tragen Sie eine Schutzbrille.  
Tragen Sie einen Gehörschutz.*



*Tragen Sie eine Staubschutzmaske.*



*Sicherungseinsatz für träge Sicherungen.*



*Höchsttemperatur 45°C.*



*Batterien/Akkus nicht in offene Feuer werfen.*



*Batterien/Akkus nicht ins Wasser werfen.*



*Der Li-Ionen-Akku muss separat der Wertstoffsammlung zugeführt werden.*



*Das Produkt entspricht den geltenden Sicherheitsnormen der europäischen Richtlinien.*

### ALLGEMEINE SICHERHEITSHINWEISE



**WARNUNG** Lesen Sie alle Sicherheitshinweise, Anweisungen, Gebildungen und technischen Daten, mit denen dieses Elektrowerkzeug versehen ist. Versäumnisse bei der Einhaltung der nachfolgenden Anweisungen

*können elektrischen Schlag, Brand und/oder schwere Verletzungen verursachen.*

### Bewahren Sie alle Sicherheitshinweise und Anweisungen für die Zukunft auf.

Der in den Sicherheitshinweisen verwendete Begriff „Elektrowerkzeug“ bezieht sich auf netzbetriebene Elektrowerkzeuge (mit Netzleitung) oder auf akkubetriebene Elektrowerkzeuge (ohne Netzleitung).

#### 1) Arbeitsplatzsicherheit

- a) **Halten Sie Ihren Arbeitsbereich sauber und gut beleuchtet.** Unordnung oder unbeleuchtete Arbeitsbereiche können zu Unfällen führen.
- b) **Arbeiten Sie mit dem Elektrowerkzeug nicht in explosionsgefährdeter Umgebung, in der sich brennbare Flüssigkeiten, Gase oder Stäube befinden.** Elektrowerkzeuge erzeugen Funken, die den Staub oder die Dämpfe entzünden können.
- c) **Halten Sie Kinder und andere Personen während der Benutzung des Elektrowerkzeugs fern.** Bei Ablenkung können Sie die Kontrolle über das Elektrowerkzeug verlieren.

#### 2) Elektrische Sicherheit

- a) **Der Anschlussstecker des Elektrowerkzeugs muss in die Steckdose passen. Der Stecker darf in keiner Weise verändert werden. Verwenden Sie keine Adapterstecker gemeinsam mit schutzgeerdeten Elektrowerkzeugen.** Unveränderte Stecker und passende Steckdosen verringern das Risiko eines elektrischen Schlages.
- b) **Vermeiden Sie Körperkontakt mit geerdeten Oberflächen wie von Rohren, Heizungen, Herden und Kühlschränken.** Es besteht ein erhöhtes Risiko durch elektrischen Schlag, wenn Ihr Körper geerdet ist.
- c) **Halten Sie Elektrowerkzeuge von Regen oder Nässe fern.** Das Eindringen von Wasser in ein Elektrowerkzeug erhöht das Risiko eines elektrischen Schlages.
- d) **Zweckentfremden Sie die Anschlussleitung nicht, um das Elektrowerkzeug zu tragen, aufzuhängen oder um den Stecker aus der Steckdose zu ziehen. Halten Sie die Anschlussleitung fern von Hitze, Öl, scharfen Kanten oder sich bewegenden Teilen.** Beschädigte oder verwickelte Anschlussleitungen erhöhen das Risiko eines elektrischen Schlages.
- e) **Wenn Sie mit einem Elektrowerkzeug im Freien**

arbeiten, verwenden Sie nur Verlängerungsleitungen, die auch für den Außenbereich geeignet sind. Die Anwendung einer für den Außenbereich geeigneten Verlängerungsleitung verringert das Risiko eines elektrischen Schlages.

f) **Wenn der Betrieb des Elektrowerkzeugs in feuchter Umgebung nicht vermeidbar ist, verwenden Sie einen Fehlerstromschutzschalter.** Der Einsatz eines Fehlerstromschutzschalters vermindert das Risiko eines elektrischen Schlages.

### 3) Sicherheit von Personen

a) **Seien Sie aufmerksam, achten Sie darauf, was Sie tun, und gehen Sie mit Vernunft an die Arbeit mit einem Elektrowerkzeug. Benutzen Sie kein Elektrowerkzeug, wenn Sie müde sind oder unter dem Einfluss von Drogen, Alkohol oder Medikamenten stehen.** Ein Moment der Unachtsamkeit beim Gebrauch des Elektrowerkzeugs kann zu ernsthaften Verletzungen führen.

b) **Tragen Sie persönliche Schutzausrüstung und immer eine Schutzbrille.** Das Tragen persönlicher Schutzausrüstung, wie Staubmaske, rutschfeste Sicherheitsschuhe, Schutzhelm oder Gehörschutz, je nach Art und Einsatz des Elektrowerkzeugs, verringert das Risiko von Verletzungen.

c) **Vermeiden Sie eine unbeabsichtigte Inbetriebnahme. Vergewissern Sie sich, dass das Elektrowerkzeug ausgeschaltet ist, bevor Sie es an die Stromversorgung und/oder den Akku anschließen, es aufnehmen oder tragen.** Wenn Sie beim Tragen des Elektrowerkzeugs den Finger am Schalter haben oder das Elektrowerkzeug eingeschaltet an die Stromversorgung anschließen, kann dies zu Unfällen führen.

d) **Entfernen Sie Einstellwerkzeuge oder Schraubenschlüssel, bevor Sie das Elektrowerkzeug einschalten.** Ein Werkzeug oder Schlüssel, der sich in einem drehenden Teil des Elektrowerkzeugs befindet, kann zu Verletzungen führen.

e) **Vermeiden Sie eine abnormale Körperhaltung. Sorgen Sie für einen sicheren Stand und halten Sie jederzeit das Gleichgewicht.** Dadurch können Sie das Elektrowerkzeug in unerwarteten Situationen besser kontrollieren.

f) **Tragen Sie geeignete Kleidung. Tragen Sie keine weite Kleidung oder Schmuck. Halten Sie Haare und Kleidung fern von sich bewegenden Teilen.** Lockere Kleidung, Schmuck oder lange Haare können von sich bewegenden Teilen erfasst werden.

g) **Wenn Staubabsaug- und -auffangeinrichtungen**

montiert werden können, sind diese anzuschließen und richtig zu verwenden. Verwendung einer Staubabsaugung kann Gefährdungen durch Staub verringern.

h) **Wiegen Sie sich nicht in falscher Sicherheit und setzen Sie sich nicht über die Sicherheitsregeln für Elektrowerkzeuge hinweg, auch wenn Sie nach vielfachem Gebrauch mit dem Elektrowerkzeug vertraut sind.** Achtloses Handeln kann binnen Sekundenbruchteilen zu schweren Verletzungen führen.

### 4) Verwendung und Behandlung des Elektrowerkzeugs

a) **Überlasten Sie das Elektrowerkzeug nicht. Verwenden Sie für Ihre Arbeit das dafür bestimmte Elektrowerkzeug.** Mit dem passenden Elektrowerkzeug arbeiten Sie besser und sicherer im angegebenen Leistungsbereich.

b) **Benutzen Sie kein Elektrowerkzeug, dessen Schalter defekt ist.** Ein Elektrowerkzeug, das sich nicht mehr ein- oder ausschalten lässt, ist gefährlich und muss repariert werden.

c) **Ziehen Sie den Stecker aus der Steckdose und/oder entfernen Sie einen abnehmbaren Akku, bevor Sie Geräteeinstellungen vornehmen, Einsatzwerkzeugteile wechseln oder das Elektrowerkzeug weglegen.** Diese Vorsichtsmaßnahme verhindert den unbeabsichtigten Start des Elektrowerkzeugs.

d) **Bewahren Sie unbenutzte Elektrowerkzeuge außerhalb der Reichweite von Kindern auf. Lassen Sie keine Personen das Elektrowerkzeug benutzen, die mit diesem nicht vertraut sind oder diese Anweisungen nicht gelesen haben.** Elektrowerkzeuge sind gefährlich, wenn sie von unerfahrenen Personen benutzt werden.

e) **Pflegen Sie Elektrowerkzeuge und Einsatzwerkzeug mit Sorgfalt. Kontrollieren Sie, ob bewegliche Teile einwandfrei funktionieren und nicht klemmen, ob Teile gebrochen oder so beschädigt sind, dass die Funktion des Elektrowerkzeugs beeinträchtigt ist. Lassen Sie beschädigte Teile vor dem Einsatz des Elektrowerkzeuges reparieren.** Viele Unfälle haben ihre Ursache in schlecht gewarteten Elektrowerkzeugen.

f) **Halten Sie Schneidwerkzeuge scharf und sauber.** Sorgfältig gepflegte Schneidwerkzeuge mit scharfen Schneidkanten verklemmen sich weniger und sind leichter zu führen.

g) **Verwenden Sie Elektrowerkzeug, Zubehör,**

- Einsatzwerkzeuge usw. entsprechend diesen Anweisungen. Berücksichtigen Sie dabei die Arbeitsbedingungen und die ausführende Tätigkeit.** Der Gebrauch von Elektrowerkzeugen für andere als die vorgesehenen Anwendungen kann zu gefährlichen Situationen führen.
- h) Halten Sie Griffe und Griffflächen trocken, sauber und frei von Öl und Fett.** Rutschige Griffe und Griffflächen erlauben keine sichere Bedienung und Kontrolle des Elektrowerkzeugs in unvorhergesehenen Situationen.
- 5) Verwendung und Behandlung des Akkuwerkzeugs**
- a) Laden Sie die Akkus nur mit Ladegeräten auf, die vom Hersteller empfohlen werden.** Durch ein Ladegerät, das für eine bestimmte Art von Akkus geeignet ist, besteht Brandgefahr, wenn es mit anderen Akkus verwendet wird.
- b) Verwenden Sie nur die dafür vorgesehenen Akkus in den Elektrowerkzeugen.** Der Gebrauch von anderen Akkus kann zu Verletzungen und Brandgefahr führen.
- c) Halten Sie den nicht benutzten Akku fern von Büroklammern, Münzen, Schlüsseln, Nägeln, Schrauben oder anderen kleinen Metallgegenständen, die eine Überbrückung der Kontakte verursachen könnten.** Ein Kurzschluss zwischen den Akkukontakten kann Verbrennungen oder Feuer zur Folge haben.
- d) Bei falscher Anwendung kann Flüssigkeit aus dem Akku austreten. Vermeiden Sie den Kontakt damit. Bei zufälligem Kontakt mit Wasser abspülen. Wenn die Flüssigkeit in die Augen kommt, nehmen Sie zusätzlich ärztliche Hilfe in Anspruch.** Austretende Akkuflüssigkeit kann zu Hautreizungen oder Verbrennungen führen.
- e) Benutzen Sie keinen beschädigten oder veränderten Akku.** Beschädigte oder veränderte Akkus können sich unvorhersehbar verhalten und zu Feuer, Explosion oder Verletzungsgefahr führen.
- f) Setzen Sie einen Akku keinem Feuer oder zu hohen Temperaturen aus.** Feuer oder Temperaturen über 130 °C können eine Explosion hervorrufen.
- g) Befolgen Sie alle Anweisungen zum Laden und laden Sie den Akku oder das Akkuwerkzeug niemals außerhalb des in der Betriebsanleitung angegebenen Temperaturbereichs.** Falsches Laden oder Laden außerhalb des zugelassenen Temperaturbereichs kann den Akku zerstören und die Brandgefahr erhöhen.
- 6) Service**
- a) Lassen Sie Ihr Elektrowerkzeug nur von qualifiziertem Fachpersonal und nur mit Original-Ersatzteilen reparieren.** Damit wird sichergestellt, dass die Sicherheit des Elektrowerkzeugs erhalten bleibt.
- b) Warten Sie niemals beschädigte Akkus.** Sämtliche Wartung von Akkus sollte nur durch den Hersteller oder bevollmächtigte Kundendienststellen erfolgen.

### SICHERHEITSHINWEISE FÜR STICHSÄGEN

- **Halten Sie das Gerät an den isolierten Griffflächen, wenn Sie Arbeiten ausführen, bei denen das Einsatzwerkzeug verborgene Stromleitungen treffen kann.** Der Kontakt mit einer spannungsführenden Leitung kann auch metallene Geräteteile unter Spannung setzen und zu einem elektrischen Schlag führen.
- **Halten Sie die Hände vom Sägebereich fern.** Greifen Sie nicht unter das Werkstück. Bei Kontakt mit dem Sägeblatt besteht Verletzungsgefahr.
- **Führen Sie das Elektrowerkzeug nur eingeschaltet gegen das Werkstück.** Es besteht sonst die Gefahr eines Rückschlages, wenn sich das Einsatzwerkzeug im Werkstück verhakt.
- **Achten Sie darauf, dass die Fußplatte beim Sägen sicher aufliegt.** Ein verkantetes Sägeblatt kann brechen oder zum Rückschlag führen.
- **Schalten Sie nach Beendigung des Arbeitsvorgangs das Elektrowerkzeug aus und ziehen Sie das Sägeblatt erst dann aus dem Schnitt, wenn dieses zum Stillstand gekommen ist.** So vermeiden Sie einen Rückschlag und können das Elektrowerkzeug sicher ablegen.
- **Verwenden Sie nur unbeschädigte, einwandfreie Sägeblätter.** Verborgene oder unscharfe Sägeblätter können brechen, den Schnitt negativ beeinflussen oder einen Rückschlag verursachen.
- **Bremsen Sie das Sägeblatt nach dem Ausschalten nicht durch seitliches Gegendrücken ab.** Das Sägeblatt kann beschädigt werden, brechen oder einen Rückschlag verursachen.
- **Verwenden Sie geeignete Suchgeräte, um verborgene Versorgungsleitungen aufzuspüren, oder ziehen Sie die örtliche Versorgungsgesellschaft hinzu.** Kontakt mit Elektroleitungen kann zu Feuer und elektrischem Schlag führen. Beschädigung einer Gasleitung kann zur Explosion führen. Eindringen in eine Wasserleitung verursacht Sachbeschädigung.

- **Sichern Sie das Werkstück.** Ein mit Spannvorrichtungen oder Schraubstock festgehaltenes Werkstück ist sicherer gehalten als mit Ihrer Hand.
- **Warten Sie, bis das Elektrowerkzeug zum Stillstand gekommen ist, bevor Sie es ablegen.** Das Einsatzwerkzeug kann sich verhaken und zum Verlust der Kontrolle über das Elektrowerkzeug führen.
- **Verwenden Sie Halteklammern oder eine andere praktikable Methode, um das Werkstück auf einer stabilen Plattform zu sichern.** Das Halten oder Stützen des Werkstücks mit der Hand oder dem Körper führt zu Instabilität und kann einen Kontrollverlust verursachen.

**SICHERHEITSHINWEISE FÜR AKKU**

- a) **Öffnen Sie den Akku nicht.** Es besteht die Gefahr eines Kurzschlusses.
- b) **Schützen Sie den Akku vor Hitze, z. B. auch vor dauernder Sonneneinstrahlung, Feuer, Wasser und Feuchtigkeit.** Es besteht Explosionsgefahr.
- c) **Bei Beschädigung und unsachgemäßem Gebrauch des Akkus können Dämpfe austreten. Führen Sie Frischluft zu und suchen Sie bei Beschwerden einen Arzt auf.** Die Dämpfe können die Atemwege reizen.
- d) **Verwenden Sie den Akku nur in Verbindung mit Ihrem Vonroc Produkt.** Nur so wird der Akku vor gefährlicher Überlastung geschützt.
- e) **Durch spitze Gegenstände wie z. B. Nagel oder Schrau benzieher oder durch äußere Krafteinwirkung kann der Akku beschädigt werden.** Es kann zu einem internen Kurzschluss kommen und der Akku brennen, rauchen, explodieren oder überhitzen.

**SICHERHEITSHINWEISE FÜR DAS LADEGERÄT**  
**Verwendungszweck**

Nur für das Laden von wiederaufladbaren Li-Ionen-Akkus des Typs CD801AA und CD803AA geeignet. Andere Arten von Akkus können platzen und zu Verletzungen und Schäden führen.

- a) **Das Gerät darf nicht von Personen (einschließlich Kindern) mit eingeschränkten körperlichen, sensorischen bzw. geistigen Fähigkeiten, mangelnder Erfahrung bzw. fehlendem Wissen verwendet werden, wenn diese nicht beaufsichtigt werden oder eine Einweisung erhalten haben.**
- b) **Kinder sollten beaufsichtigt werden, um sicherzustellen, dass sie nicht mit dem Gerät spielen.**
- c) **Nicht wiederaufladbare Batterien dürfen nicht aufgeladen werden!**

d) **Während des Ladens müssen sich die Akkus in einem gut belüfteten Raum befinden!**

**2. ANGABEN ZUM WERKZEUG**

**Verwendungszweck**

Dieses Gerät ist zum Sägen von Holz, Metall, Kunststoff, Keramik, Gummi usw. in jede gewünschte Größe und Form bestimmt, wobei die Basisplatte fest auf dem Werkstück aufliegt. Es ist immer ein geeignetes Sägeblatt zu verwenden.

**TECHNISCHE DATEN**




*Dieses Handbuch wurde für unterschiedliche Sets / Artikelnummern erstellt. Achten Sie in der Spezifikationstabelle mit den korrekten Zusammenstellungen und Inhalten für Ihr Set auf Ihre jeweilige Artikelnummer.*


Modellnummer	Batterien enthalten	Ladegerät enthalten
JS504DC	-	-
S_JS504DC	CD801AA	CD802AA
S2_JS504DC	2 x CD801AA	CD802AA
S3_JS504DC	CD803AA	CD802AA
S4_JS504DC	CD801AA	CD802AA

Angaben zum Werkzeug	
Netzspannung	20V
Leerlaufdrehzahl	1000-2300/min
Sägehub	17,5mm
Max. Sägeleistung Holz 0°	65mm
Max. Sägeleistung Stahl 0°	8mm
Gewicht	1,40 kg
Schalldruckpegel LPA	86,0 dB(A), K=5dB(A)
Schallleistungspegel LWA	97,0 dB(A), K=5dB(A)
Schwingung 'sagen blech'	6,537 m/s <sup>2</sup> K=1,5 m/s <sup>2</sup>
Schwingung 'sagen sperrholz'	7,317 m/s <sup>2</sup> K=1,5 m/s <sup>2</sup>

Modellnummer	CD801AA
Akkutyp	Lithium-Ion
Spannung	20V
Kapazität	2,0 Ah

Empfohlene Ladegeräte	CD802AA
Gewicht	0,3 kg

<b>Modellnummer</b>	<b>CD802AA</b>
Ladegerät Eingang	220-240V, 50Hz 0,4A
Ladegerät Ausgang	21V  2,5A
Ladezeit 2Ah Akku	60 Minuten
Ladezeit 4Ah Akku	120 Minuten
Empfohlene Akkus	CD801AA, CD803AA
Gewicht	0,36 kg

<b>Modelnr.</b>	<b>CD803AA</b>
Akkutyp	Lithium-Ion
Spannung	20V 
Kapazität	4,0 Ah
Empfohlene Ladegeräte	CD802AA
Gewicht	0,65 kg

Verwenden Sie nur folgende Akkus der VONROC VPOWER 20V-Akku-Plattform. Die Verwendung anderer Akkus kann zu schweren Verletzungen oder einer Beschädigung des Werkzeugs führen.

CD801AA	20V, 2Ah Lithium-Ion
CD803AA	20V, 4Ah Lithium-Ion

Folgendes Ladegerät ist zum Aufladen dieser Akkus vorgesehen.

CD802AA	Schnellladegerät
---------	------------------

Die Akkus der VONROC VPOWER 20V-Akku-Plattform sind unter allen Werkzeugen der VONROC VPOWER 20V-Akku-Plattform austauschbar.

### Vibrationsintensität

Die in dieser Bedienungsanleitung angegebene Vibrationsintensität wurde mit einem standardisierten Test gemäß EN 62841 gemessen. Anhand dieser Größe können Werkzeuge miteinander verglichen werden. Außerdem eignet sich diese Größe für eine erste Beurteilung der Vibrationsbelastung bei Verwendung des Werkzeugs für die angegebenen Anwendungszwecke.

- Bei Verwendung des Werkzeugs für andere Anwendungen oder mit anderem oder unzureichend gewartetem Zubehör kann sich die Vibrationsbelastung erheblich erhöhen.
- Wenn das Werkzeug ausgeschaltet ist, oder

wenn es eingeschaltet ist, jedoch nicht genutzt wird, kann sich die Vibrationsbelastung erheblich verringern.

Schützen Sie sich vor den Auswirkungen der Vibration durch Wartung des Werkzeugs und des Zubehörs, halten Sie Ihre Hände warm, und organisieren Sie Ihren Arbeitsablauf.

### BESCHREIBUNG

Die Buchstaben und Ziffern im folgenden Text verweisen auf die Abbildungen auf den Seiten 2 bis 4.

1. EIN/AUS-Schalter
2. Staubgebläseschalter
3. Hauptgriff
4. Akku-Freigabetaste
5. Batterie
6. Pendelhubschalter
7. Skala für Gehrungswinkel
8. Staubsaugeradapter
9. Basisplatte
10. Führungsrolle
11. Zusatzgriff
12. Schutzvorrichtung
13. Klemmhebel
14. Flügelschrauben für Parallelführung
15. Sechskantschlüssel
16. Bohrfutter
17. Sägeblatt
18. Schraube für Basisplatte
19. Parallelführung
20. Geschwindigkeitseinstellrad
21. Schnittmarke
22. Basisplattenabdeckung
23. Akku LED-Anzeigen-Taste
24. LED-Anzeige Akku
25. Ladegerät
26. Ladegerät-LED-Anzeigen

### 3. MONTAGE



*Nehmen Sie vor allen Arbeiten am Elektrowerkzeug den Akku heraus.*



*Vor der ersten Verwendung muss der Akku aufgeladen werden.*



**Einsetzen des Akkus in das Werkzeug (Abb. A, G)**



Überprüfen Sie, ob die Außenflächen des Akkus sauber und trocken sind, bevor Sie den Akku an das Ladegerät anschließen oder in das Werkzeug einsetzen.

1. Setzen Sie den Akku (5) in das Gerät ein.
2. Drücken Sie den Akku soweit nach vorn, bis der Akku hörbar einrastet.

**Entnehmen des Akkus aus dem Werkzeug (Abb. A, G)**

1. Drücken Sie die Akku-Freigabetast (4)
2. Ziehen Sie den Akku aus dem Werkzeug, wie in Abb. G dargestellt.

**Überprüfen des Akkuladestands (Abb. J)**

- Drücken Sie zum Überprüfen des Ladezustands kurz die Taste (23) auf dem Akku.
- Der Akku ist mit 3 Leuchten zur Anzeige des Ladezustands ausgestattet. Je mehr davon leuchten, desto höher der Ladezustand.
- Wenn keine der Leuchten an ist, bedeutet das, dass der Akku leer ist und sofort aufgeladen werden muss.

**Laden des Akkus über das Ladegerät (Abb. J)**

1. Entnehmen Sie den Akku (5) aus dem Werkzeug.
2. Drehen Sie den Akku (5) mit der Unterseite nach oben, und schieben Sie ihn in das Ladegerät (25), wie in Abb. J dargestellt.
3. Drücken Sie den Akku vollständig in die Aufnahme.
4. Stecken Sie den Netzstecker des Ladegeräts in eine Steckdose, und warten Sie einen Moment. Die LED-Anzeigen am Ladegerät (26) leuchten zur Anzeige des Ladezustands auf.

**Das Ladegerät verfügt über 2 LED-Anzeige (26), die den Ladevorgang anzeigt:**

Rote LED	Grüne LED:	Status Ladegerät
Aus	Aus	Keine Stromversorgung
Aus	An	Standby-Modus: - Kein Akku eingelegt oder - Akku eingelegt, aber Ladevorgang seit abgeschlossen
An	Aus	Akku wird geladen

- Das vollständige Laden des 2Ah-Akkus kann bis zu 60 Minuten dauern.
- Das vollständige Laden des 4Ah-Akkus kann bis zu 120 Minuten dauern.

Ziehen Sie nach dem vollständigen Laden des Akkus den Stecker des Ladegeräts aus der Netzsteckdose, und entnehmen Sie den Akku aus dem Ladegerät.



Wenn das Werkzeug für einen längeren Zeitraum nicht verwendet wird, sollte das Werkzeug möglichst mit einem voll aufgeladenen Akku aufbewahrt werden.

**Wechseln des Sägeblatts (Abb. A, B)**



Tragen Sie beim Anbringen des Sägeblatts Schutzhandschuhe. Verletzungsgefahr beim Berühren des Sägeblattes.



Verwenden Sie nur Sägeblätter, die den Kenndaten in der Betriebsanleitung entsprechen.

**Anbringen des Sägeblatts**



Achten Sie darauf, dass der Sägeblatthalter frei von Materialrückständen ist (zum Beispiel Holz- oder Metallsplinter).

1. Drehen Sie den Klemmhebel (13) so weit wie möglich nach links und halten Sie ihn in dieser Position fest.
2. Setzen Sie das Sägeblatt in das Spannfutter (16) ein. Überprüfen Sie, dass das Sägeblatt sicher befestigt ist und die Zähne in die Schnitttrichtung zeigen.
3. Lassen Sie den Klemmhebel los. Überprüfen Sie, ob sich die Rückseite des Sägeblatts in der Mitte der Führungsrolle (10) befindet.

Stellen Sie sicher, immer das richtige Sägeblatt für das jeweilige Material zu verwenden. Zum Lieferumfang des Geräts gehört ein grobzahntiges Sägeblatt für Holz und ein feinzahntiges Sägeblatt für Metall und Kunststoff.

**Abnehmen des Sägeblatts**

1. Drehen Sie den Klemmhebel (13) so weit wie möglich nach links und halten Sie ihn in dieser Position fest.
2. Nehmen Sie das Sägeblatt aus dem Spannfutter (16).
3. Lassen Sie den Klemmhebel los.

**Anbringen der Parallelführung (Abb. C)**

1. Lösen Sie die Flügelschrauben (14).
2. Montieren Sie die Parallelführung (19) an der Basisplatte (9).
3. Stellen Sie mit der Skala auf der Parallelführung (19) und der Schnittmarke auf der Basisplatte (21) die gewünschte Schnittbreite ein. Die Schnittmarke (21) zeigt die Position des Sägeblatts an.
4. Ziehen Sie die Flügelschraube (14) fest.

**4. BETRIEB****Ein-/Ausschalten der Maschine (Abb. A)**

- Zum Einschalten der Maschine schieben Sie den Schalter nach vorne und drücken den Ein-/Ausschalter (1).
- Zum Ausschalten der Maschine lassen Sie den Ein-/Ausschalter (1) los.

**Einstellung der Geschwindigkeit (Abb. A)**

Das Geschwindigkeitseinstellrad (3) wird zur Einstellung der Geschwindigkeit verwendet. Die ideale Geschwindigkeit hängt vom Profil und den Zähnen des Sägeblatts sowie vom zu bearbeitenden Material ab.



*Stellen Sie die Geschwindigkeit nicht während des Gebrauchs ein.*

Drehen Sie das Geschwindigkeitseinstellrad (20) auf die erforderliche Position.

- Verwenden Sie für harte Materialien ein Sägeblatt mit feinen Zähnen und wählen Sie eine niedrigere Geschwindigkeit.
- Verwenden Sie für weiche Materialien ein Sägeblatt mit groben Zähnen und wählen Sie eine höhere Geschwindigkeit.

**Einstellen des Gehrungswinkels (Abb. A, D)**

1. Lösen Sie die Schraube (18) mit dem Sechskantschlüssel (15).
2. Stellen Sie die Basisplatte (9) auf die gewünschte Position ein (0°- 45°). Der Sägewinkel (Gehrung) kann an der Skala (7) abgelesen werden.
3. Ziehen Sie die Schraube (15) mit dem Sechskantschlüssel (15) fest.

**Einstellen des Orbitalhubs (Abb. A)**

Mit dem Pendelhubschalter wird eingestellt, wie die Zähne des Sägeblatts das Material greifen. Für den Pendelschalter gibt es 4 Positionen:

- 0 - Kein Orbitalhub
- 1 - Geringer Orbitalhub
- 2 - Mittlerer Orbitalhub
- 3 - Starker Orbitalhub

Der erforderliche Orbitalhub kann durch Ausprobieren festgestellt werden, wobei folgende Empfehlungen gelten:

- Weiches Material (Holz, Plastik usw.): Pendel auf Stufe II oder III stellen. Verwenden Sie für einen feineren und saubereren Sägeschnitt die Pendelstufe 0 oder I.
- Für dünnes Material Pendelstufe 0 verwenden.
- Für hartes Material (Stahl usw.) das Pendel auf Stufe 0 stellen.
- Für Kurven das Pendel auf Stufe 0 stellen.

**Tauchschnitte (Abb. H)**

Tauchschnitte dürfen nur in weiche Materialien wie Holz, Porenbeton, Gipskarton usw. gemacht werden. Dies erfordert jedoch eine gewisse Übung und ist nur mit kurzen Sägeblättern möglich.

1. Setzen Sie die Säge auf das Werkstück und schalten Sie sie ein.
2. Achten Sie darauf, dass die Unterkante der Basisplatte wie in Abb. H gezeigt auf der Werkstückoberfläche aufliegt.
3. Sägen Sie langsam in einem Winkel in das Werkstück hinein, bringen Sie die Säge dann in eine vertikale Position und sägen Sie weiter entlang der Schnittlinie.
4. Schalten Sie die Säge aus und heben Sie sie nach Abschluss der Arbeit vom Werkstück ab.

**Staubabsaugung (Abb. E)**

- Setzen Sie den Staubsaugeradapter (8) in den Anschluss für die Staubabsaugung ein.
- Verbinden Sie den Schlauch eines Staubsaugers mit dem Staubsaugeradapter (8).

**Hinweis:** Die Staubgebläsefunktion muss bei Verwendung eines Staubsaugers deaktiviert werden.

**Staubgebläsefunktion (Abb. I)**

Die Schnittlinie kann mit Hilfe der Staubgebläsefunktion von Spänen und Staub freigehalten werden.

- Stellen Sie zum Aktivieren der Staubgebläsefunktion den Staubgebläseschalter (2) nach unten.
- Stellen Sie zum Deaktivieren der Staubgebläsefunktion den Staubgebläseschalter (2) nach oben.

**Optimale Nutzung**

- Spannen Sie das Werkstück ein. Verwenden Sie für kleine Werkstücke eine Spannvorrichtung.
- Zeichnen Sie eine Linie, um die Richtung vorzugeben, in der das Sägeblatt geführt wird.
- Halten Sie die Maschine sicher am Griff fest.
- Stellen Sie die Sägegeschwindigkeit ein.
- Stellen Sie den Gehrungswinkel ein.
- Stellen Sie die Pendelhubposition ein.
- Schalten Sie die Maschine ein.
- Warten Sie, bis die Maschine ihre volle Geschwindigkeit erreicht hat.
- Setzen Sie den Sägeschuh auf das Werkstück.
- Bewegen Sie die Maschine langsam die vorgezeichnete Linie entlang, wobei Sie den Sägeschuh fest gegen das Werkstück drücken.
- Üben Sie nicht zu viel Druck auf die Maschine aus. Lassen Sie die Maschine die Arbeit verrichten.
- Schalten Sie die Maschine aus und warten Sie, bis sie vollkommen zum Stillstand gekommen ist, bevor Sie sie ablegen.

**5. WARTUNG**

*Schalten Sie das Werkzeug immer aus, und entnehmen Sie den Akku aus dem Gerät, bevor Sie Reinigungs- oder Wartungsarbeiten am Werkzeug vornehmen.*

Reinigen Sie das Werkzeuggehäuse regelmäßig mit einem weichen Lappen, vorzugsweise nach jeder Verwendung. Stellen Sie sicher, dass die Lüftungsöffnungen frei von Staub und Schmutz sind. Entfernen Sie anhaftenden Schmutz mit einem weichen Lappen, der leicht mit Seifenwasser befeuchtet wurde. Verwenden Sie keine Lösungsmittel wie Benzin, Alkohol, Ammoniak usw., da Chemikalien dieser Art die Kunststoffteile beschädigen.

**UMWELTSCHUTZ**

*Schadhafte und/oder zu entsorgende elektrische oder elektronische Werkzeuge und Geräte müssen an den dafür vorgesehenen Recycling-Stellen abgegeben werden.*

**Nur für EG-Länder**

Entsorgen Sie Elektrowerkzeuge nicht über den Hausmüll. Entsprechend der EU-Richtlinie 2012/19/EG über Elektro- und Elektronik-Altgeräte sowie der

Umsetzung in nationales Recht müssen Elektrowerkzeuge, die nicht mehr im Gebrauch sind, getrennt gesammelt und umweltschonend entsorgt werden.

**GARANTIE**

VONROC-Produkte werden nach den höchsten Qualitätsstandards entwickelt und sind für den gesetzlich festgelegten Zeitraum, ausgehend von dem ursprünglichen Kaufdatum, garantiert frei von Fehlern in Material und Ausführung. Sollte das Produkt in diesem Zeitraum aufgrund von Material- und/oder Verarbeitungsmängeln Fehler aufweisen, wenden Sie sich bitte direkt an VONROC Kundendienst.

Folgende Umstände sind von der Garantie ausgeschlossen:

- Reparaturen und oder Änderungen an der Maschine, die durch nicht-autorisierte Servicestellen vorgenommen oder versucht wurden.
- Normale Abnutzung und Verschleiß.
- Das Werkzeug wurde übermäßig beansprucht, missbräuchlich verwendet oder falsch gewartet.
- Es wurden keine Original-Ersatzteile verwendet.

Dies stellt die einzige Gewährleistung des Unternehmens dar, sowohl ausdrücklich als auch implizit. Es gibt keine anderen ausdrücklichen oder stillschweigenden Garantien, die über das hier Genannte hinausgehen, einschließlich der stillschweigenden Garantien der Marktgängigkeit oder Eignung für einen bestimmten Zweck. In keinem Fall ist VONROC haftbar für Neben- oder Folgeschäden. Die Rechtsmittel des Händlers beschränken sich auf Reparatur oder Ersatz fehlerhafter Einheiten oder Teile.

**Am Produkt und am Benutzerhandbuch können Änderungen vorgenommen werden. Die technischen Daten können sich ohne Vorankündigung ändern.**

## 1. VEILIGHEIDSVOORSCHRIFTEN

Lees de bijgesloten veiligheidswaarschuwingen, de aanvullende veiligheidswaarschuwingen en de instructies. Het niet opvolgen van de veiligheidswaarschuwingen kan elektrische schokken, brand en/of ernstig letsel tot gevolg hebben. Bewaar de veiligheidswaarschuwingen en instructies als naslagwerk voor later.

De volgende symbolen worden gebruikt in de gebruikershandleiding of op het product:



*Lees de gebruikershandleiding.*



*Gevaar voor lichamelijk letsel, overlijden of schade aan de machine wanneer de instructies in deze handleiding niet worden opgevolgd.*



*Variabele elektronische snelheid.*



*Draag een veiligheidsbril.  
Draag gehoorbescherming.*



*Draag een stofmasker.*



*Miniaturzekering met vertragingstijd.*



*Max temperatuur 45°C.*



*Accu niet verbranden.*



*Accu niet in het water gooien.*



*Aparte inzameling van Li-ion-accu's.*



*Het product is in overeenstemming met de van toepassing zijnde veiligheidsnormen in de Europese richtlijnen.*

### ALGEMENE VEILIGHEIDSVOORSCHRIFTEN



**WAARSCHUWING!** Lees alle veiligheidswaarschuwingen en alle instructies. Het niet opvolgen van onderstaande instructies kan leiden tot een elektrische schok, brand en/of ernstig persoonlijk letsel.

#### Bewaar deze instructies.

De term "elektrisch gereedschap" in onderstaande waarschuwingen heeft betrekking op zowel

apparatuur met een vaste elektriciteitskabel als op apparatuur met een accu (draadloze apparatuur).

#### 1) Werkgebied

- Zorg voor een opgeruimde en goed verlichte werkomgeving.** Rommelige en donkere werkomgevingen leiden tot ongelukken
- Gebruik elektrisch gereedschap nooit in een omgeving waar explosiegevaar bestaat, zoals in de nabijheid van ontvlambare vloeistoffen, gassen, dampen of andere stoffen.** Elektrische gereedschappen kunnen vonken veroorzaken, die deze stoffen tot ontbranding kunnen brengen.
- Wanneer u elektrisch gereedschap gebruikt, houd dan kinderen en omstanders op afstand.** Wanneer u wordt afgeleid, kunt u de controle over het gereedschap verliezen.

#### 2) Elektrische veiligheid

- Stekkers van elektrische gereedschappen moeten probleemloos passen op het stopcontact. Breng nooit wijzigingen aan in of aan de stekker. Gebruik geen adapters voor geaarde elektrische gereedschappen.** Standaardstekkers en passende stopcontacten verkleinen de kans op een elektrische schok.
- Voorkom lichamelijk contact met geaarde oppervlakken van bijvoorbeeld pijpen, leidingen, radiatoren, fornuizen en koelkasten.** Wanneer uw lichaam geaard is, wordt de kans op een elektrische schok groter.
- Stel elektrische gereedschappen nooit bloot aan regen of vocht.** Wanneer er water binnendringt in een elektrisch gereedschap, wordt de kans op een elektrische schok groter.
- Gebruik het snoer niet om het elektrisch gereedschap te dragen, te verplaatsen of de stekker uit het stopcontact te trekken. Bescherm het snoer tegen olie, warmte, scherpe randen en bewegende delen.** Beschadigde of vastzittende snoeren vergroten de kans op een elektrische schok.
- Wanneer u elektrische gereedschappen buiten gebruikt, gebruik dan een verlengkabel die geschikt is voor buitengebruik.** Door een kabel te gebruiken die geschikt is voor buitengebruik, wordt de kans op een elektrische schok kleiner.
- Gebruik een aardlekbeveiliging (RCD) als niet te voorkomen is dat een powertool moet worden gebruikt in een vochtige omgeving.** Gebruik van

een RCD vermindert het risico van elektrische schokken.

### 3) Persoonlijke veiligheid

- a) **Blijf altijd alert, kijk goed wat u doet en gebruik uw gezonde verstand wanneer u een elektrisch gereedschap gebruikt. Gebruik geen elektrische gereedschappen wanneer u moe bent, of drugs, alcohol of medicijnen hebt gebruikt.** Eén moment van onachtzaamheid bij het gebruik van elektrische gereedschappen kan ernstige verwondingen tot gevolg hebben.
- b) **Gebruik persoonlijke beschermingsmiddelen. Draag altijd een veiligheidsbril.** Een gepast gebruik van veiligheidsvoorzieningen, zoals een stof masker, speciale werkschoenen met antislipzolen, een veiligheidshelm en gehoorbescherming verkleinen de kans op persoonlijk letsel.
- c) **Voorkom dat het gereedschap per ongeluk wordt gestart. Zorg dat de schakelaar op de UITpositie staat, voordat u de stekker in het stopcontact steekt.** Draag elektrisch gereedschap nooit met uw vinger op de schakelaar en steek ook nooit de stekker van ingeschakelde elektrische gereedschappen in het stopcontact: dit leidt tot ongelukken.
- d) **Verwijder alle instel en andere sleutels uit het elektrisch gereedschap voordat u hem inschakelt.** Instel en andere sleutels aan een ronddraaiend onderdeel van het elektrisch gereedschap kunnen tot verwondingen leiden.
- e) **Zorg dat u nooit uw evenwicht kunt verliezen; houd altijd twee voeten stevig op de vloer.** Hierdoor kunt u het elektrisch gereedschap in onverwachte situaties beter onder controle houden.
- f) **Zorg dat u geschikte kleding draagt. Draag geen loshangende kleding of sieraden. Houd uw haar, kleding en handschoenen uit de buurt van bewegende delen.** Loshangende kleding, sieraden en lang haar kunnen vast komen te zitten in bewegende delen.
- g) **Wanneer er voorzieningen zijn voor de aansluiting van stofafzuiginstallaties, zorg dan dat ze op de juiste wijze worden aangesloten en gebruikt.** Gebruik van deze voorzieningen vermindert de gevaren die door stof worden veroorzaakt.
- h) **Denk niet dat doordat u gereedschap vaak gebruikt, u wel weet hoe het allemaal werkt en dat u de veiligheidsbeginselen voor het gebruik van het gereedschap wel kunt negeren.** Een

onbezonnen actie kan in een fractie van een seconde ernstig letsel tot gevolg hebben.

### 4) Gebruik en onderhoud van elektrisch gereedschap

- a) **Oefen geen overmatige kracht uit op elektrisch gereedschap. Gebruik het juiste gereedschap voor uw specifieke toepassing.** Met het juiste elektrische gereedschap voert u de taak beter en veiliger uit wanneer dit op de snelheid gebeurt waarvoor het apparaat is ontworpen.
- b) **Gebruik nooit elektrisch gereedschap waarvan de AAN/UITschakelaar niet werkt.** Ieder elektrisch gereedschap dat niet kan worden in en uitgeschakeld met de schakelaar is gevaarlijk en moet worden gerepareerd.
- c) **Trek de stekker uit het stopcontact voordat u wijzigingen aanbrengt aan elektrische gereedschappen, accessoires verwisselt of het elektrisch gereedschap opbergt.** Wanneer u zich aan deze preventieve veiligheidsmaatregelen houdt, beperkt u het risico dat het gereedschap per ongeluk wordt gestart.
- d) **Berg elektrisch gereedschap dat niet in gebruik is op buiten bereik van kinderen en laat personen die niet bekend zijn met het gereedschap of deze instructies het apparaat niet gebruiken.** Elektrisch gereedschap is gevaarlijk in de handen van ongeoeffende gebruikers.
- e) **Zorg voor een goed onderhoud van elektrisch gereedschap. Controleer of bewegende delen op de juiste wijze zijn vastgezet. Controleer ook of er geen onderdelen defect zijn of dat er andere omstandigheden zijn die van invloed kunnen zijn op de werking van het gereedschap. Laat het gereedschap bij beschadigingen repareren vóór gebruik.** Veel ongelukken worden veroorzaakt door slecht onderhoud van het gereedschap.
- f) **Zorg dat snij en zaagwerktuigen scherp en schoon blijven.** Goed onderhouden snij en zaagwerktuigen met scherpe randen zullen minder snel vastlopen en zijn eenvoudiger onder controle te houden.
- g) **Gebruik alle elektrische gereedschappen, accessoires, bitjes etc., zoals aangegeven in deze instructies en op de wijze waarvoor het gereedschap is ontworpen. Houd daarbij rekening met de werkomstandigheden en de uit te voeren taak.** Gebruik van elektrisch gereedschap voor handelingen die afwijken van de taken waarvoor het apparaat is ontworpen

- kunnen leiden tot gevaarlijke situaties.
- h) **Houd handgrepen en greepoppervlakken droog, schoon en vrij van olie en vet.** Gladde handgrepen en greepoppervlakken maken veilig werken en controle over het gereedschap in onverwachte situaties onmogelijk.
- 5) **Gebruik en onderhoud accugereedschap**
- a) **Laad alleen op met de lader die door de fabrikant is gespecificeerd.** Een lader die voor een bepaalde accu geschikt is, kan brand veroorzaken wanneer deze met een andere accu wordt gebruikt.
- b) **Gebruik elektrisch gereedschap alleen met de speciaal hiervoor bedoelde accu's.** Gebruik van andere accu's kan kans op letsel en brand geven.
- c) **Wanneer de accu niet in gebruik is, houd deze dan uit de buurt van andere metalen voorwerpen zoals paperclips, munten, sleutels, spijkers, schroeven of andere kleine metalen voorwerpen die een verbinding tussen twee polen kunnen maken.** Kortsluiting tussen de accupolen kan brandwonden of brand veroorzaken.
- d) **Wanneer de accu niet juist wordt gebruikt, kan er vloeistof uit lopen; raak dit niet aan. Wanneer dit per ongeluk wel gebeurt, spoel dan met water. Wanneer de vloeistof in de ogen komt, moet u een arts raadplegen.** De vloeistof uit de accu kan irritaties of brandwonden veroorzaken.
- e) **Gebruiken niet een accu of gereedschap dat beschadigd is of gemodificeerd.** Beschadigde of gemodificeerde accu's kunnen onvoorspelbaar gedrag vertonen, wat brand, explosie of een risico van letsel met zich meebrengt.
- f) **Stel een accu over het gereedschap niet bloot aan open vuur of een uitzonderlijk hoge temperatuur.** Blootstelling aan vuur of een temperatuur hoger dan 130 °C, kan een explosie veroorzaken. NB De temperatuur van "130 °C" kan worden vervangen door de temperatuur van "265 °F".
- g) **Houd u aan alle instructies voor het laden en laad de accu of het gereedschap niet op buiten het temperatuurbereik dat in de instructies wordt aangeduid.** Op een onjuiste wijze laden of laden bij temperaturen buiten het aangeduide bereik kan de accu beschadigen en het risico van brand doen toenemen.

## 6) Service

- a) **Laat uw gereedschap onderhouden door een gekwalificeerde onderhoudstechnicus die alleen gebruikmaakt van identieke vervangingsonderdelen.** Dit zorgt ervoor dat de veiligheid van de power tool intact blijft.
- b) **Voer nooit servicewerkzaamheden uit aan beschadigde accu's.** Alleen de fabrikant of geautoriseerde service-providers mogen servicewerkzaamheden aan accu's uitvoeren.

## VEILIGHEIDSVOORSCHRIFTEN VOOR DECOUPEERZAGEN

- **Houd het gereedschap aan de geïsoleerde greepvlakken vast als u werkzaamheden uitvoert waarbij het inzetgereedschap verborgen stroomleidingen kan raken.** Contact met een onder spanning staande leiding kan ook metalen delen van het gereedschap onder spanning zetten en tot een elektrische schok leiden.
- **Houd uw handen uit de buurt van de plaats waar wordt gezaagd.** Grijp niet onder het werkstuk. Bij aanraking van het zaagblad bestaat verwondingsgevaar.
- **Beweeg het elektrische gereedschap alleen ingeschakeld naar het werkstuk.** Anders bestaat er gevaar voor een terugslag als het inzetgereedschap in het werkstuk vasthaakt.
- **Let erop dat de voetplaat bij het zagen stabiel ligt.** Een schuin zaagblad kan breken of tot een terugslag leiden.
- **Schakel het elektrische gereedschap na beëindiging van de werkzaamheden uit en trek het zaagblad pas uit de zaagsnede nadat het gereedschap tot stilstand is gekomen.** Zo voorkomt u een terugslag en kunt u het elektrische gereedschap veilig neerleggen.
- **Gebruik alleen onbeschadigde zaagbladen die helemaal in orde zijn.** Verbogen of niet-scherpe zaagbladen kunnen breken, het zagen negatief beïnvloeden of een terugslag veroorzaken.
- **Rem het zaagblad na het uitschakelen niet af door er aan de zijkant tegen te drukken.** Anders kan het zaagblad beschadigd worden, breken of een terugslag veroorzaken.
- **Gebruik een geschikt detectieapparaat om verborgen stroom-, gas- of waterleidingen op te sporen of raadpleeg het plaatselijke energie- of waterleidingbedrijf.** Contact met elektrische leidingen kan tot brand of een elektrische schok leiden. Beschadiging van een gasleiding kan tot

een explosie leiden. Breuk van een waterleiding veroorzaakt materiële schade.

- **Zet het werkstuk vast.** Een met spanvoorzieningen of een bankschroef vastgehouden werkstuk wordt beter vastgehouden dan u met uw hand kunt doen.
- **Wacht tot het elektrische gereedschap tot stilstand is gekomen voordat u het neerlegt.** Het inzetgereedschap kan vasthaken en dit kan tot het verlies van de controle over het elektrische gereedschap leiden.
- **Gebruik klemmen of een andere praktische manier om het werkstuk op een stabiele ondergrond te ondersteunen en vast te zetten.** Wanneer u het werkstuk in uw handen vasthoudt of tegen uw lichaam klemt kunt u de controle over het werkstuk verliezen.

### VEILIGHEIDSVOORSCHRIFTEN VOOR DE ACCU

- a) **Open de accu niet.** Er bestaat gevaar voor kortsluiting.
- b) **Bescherm de accu tegen hitte, bijvoorbeeld ook tegen voortdurend zonlicht, vuur, water en vocht.** Er bestaat explosiegevaar.
- c) **Bij beschadiging en onjuist gebruik van de accu kunnen er dampen vrijkomen. Zorg voor frisse lucht en raadpleeg bij klachten een arts.** De dampen kunnen de lucht wegen irriteren.
- d) **Gebruik de accu alleen in combinatie met uw Vonroc product.** Alleen zo wordt de accu tegen gevaarlijke overbelasting beschermd.
- e) **Door scherpe voorwerpen, zoals bijv. spijkers of schroevendraaiers of door krachtinwerking van buitenaf kan de accu beschadigd worden.** Het kan tot een interne kortsluiting leiden en de accu doen branden, roken, exploderen of oververhitten.

### VEILIGHEIDSVOORSCHRIFTEN VOOR DE LADER

#### Bedoeld gebruik

Laad uitsluitend herlaadbare accupacks van het type CD801AA en CD803AA. Andere typen accu's kunnen exploderen, wat lichamelijk letsel en schade kan veroorzaken.

- a) **Het apparaat dient niet te worden gebruikt door personen (inclusief kinderen) met verminderde fysieke, zintuiglijke of mentale functies of personen zonder enige ervaring en kennis, tenzij zij onder toezicht staan of zijn geïnstrueerd.**
- b) **Laat kinderen onder toezicht niet met het apparaat spelen.**
- c) **Laad niet-herlaadbare accu's niet opnieuw op!**
- d) **Plaats de accu's tijdens het opladen in een goed geventileerde ruimte!**

## 2. TECHNISCHE INFORMATIE

### Bedoeld gebruik

De machine is bedoeld voor het zagen van hout, metaal, kunststoffen, keramiek, rubber, enz. in ieder gewenst formaat en iedere gewenste vorm, terwijl de grondplaat stevig op het werkstuk blijft rusten. Er moet altijd een geschikt zaagblad worden gebruikt.

### TECHNISCHE SPECIFICATIES





*Deze gebruikshandleiding is opgesteld voor verschillende sets / artikelnummers. Controleer het bijbehorende artikelnummer in de onderstaande specificaties voor de juiste samenstelling en inhoud van uw set.*

Model Nr.	Batterijen meegeleverd	Acculader meegeleverd
<b>JS504DC</b>	-	-
<b>S_JS504DC</b>	CD801AA	CD802AA
<b>S2_JS504DC</b>	2 x CD801AA	CD802AA
<b>S3_JS504DC</b>	CD803AA	CD802AA
<b>S4_JS504DC</b>	CD801AA	CD802AA

Technische informatie	
Spanning	20V
Onbelast toerental	1000-2300/min
Zaagbeweging	17,5mm
Max. zaagcapaciteit hout 0°	65mm
Max. zaagcapaciteit staal 0°	8mm
Gewicht	1,40 kg
Geluidsdruk LPA	86,0 dB(A), K=5dB(A)
Geluidsniveau LWA	97,0 dB(A), K=5dB(A)
Trillingen 'zagen metalen plaat'	6,537 m/s <sup>2</sup> K=1,5 m/s <sup>2</sup>
Trillingen 'zagen multiplex'	7,317 m/s <sup>2</sup> K=1,5 m/s <sup>2</sup>

Model Nr.	CD801AA
Accu type	Lithium-Ion
Voltage	20V
Vermogen	2,0 Ah
Aanbevolen laadapparaat	CD802AA
Gewicht	0,3 kg

<b>Model Nr.</b>	<b>CD802AA</b>
Acculader ingang	220-240V, 50Hz 0,4A
Acculader uitgangsvermogen	21V  2,5A
Oplaatijd 2Ah accu	60 minuten
Oplaatijd 4Ah accu	120 minuten
Aanbevolen accu's	CD801AA, CD803AA
Gewicht	0,36 kg

<b>Model Nr.</b>	<b>CD803AA</b>
Accu type	Lithium-Ion
Voltage	20V 
Vermogen	4,0 Ah
Aanbevolen laadapparaat	CD802AA
Gewicht	0,65 kg

Gebruik uitsluitend de volgende accu's van het VONROC VPOWER 20V accu-platform. Gebruik van andere accu's kan leiden tot ernstig letsel of tot beschadiging van het gereedschap.

CD801AA            20V, 2Ah Lithium-Ion  
 CD803AA            20V, 4Ah Lithium-Ion

De volgende lader kan worden gebruikt voor het opladen van deze accu's.

CD802AA            Snellader

De accu's van het VONROC VPOWER 20V accu-platform kunnen worden gewisseld tussen alle gereedschappen van het VONROC VPOWER 20V accu-platform.

### Trillingsniveau

Het trillingsemissieniveau, dat in deze gebruiksaanwijzing wordt vermeld, is gemeten in overeenstemming met een gestandaardiseerde test volgens EN 62841; deze mag worden gebruikt om twee machines met elkaar te vergelijken en als voorlopige beoordeling van de blootstelling aan trilling bij gebruik van de machine voor de vermelde toepassingen.

- Het gebruik van de machine voor andere toepassingen, of met andere of slecht onderhouden accessoires, kan het blootstellingsniveau aanzienlijk verhogen.
- Wanneer de machine is uitgeschakeld of wanneer deze loopt maar geen werk verricht, kan dit het blootstellingsniveau aanzienlijk reduceren.

Bescherm uzelf tegen de gevolgen van trilling door de machine en de accessoires te onderhouden, uw handen warm te houden en uw werkwijze te organiseren.

### BESCHRIJVING

De nummers in de tekst verwijzen naar de diagrammen op pagina 2-4.

1. Schakelaar Aan / Uit
2. Stofblaasschakelaar
3. Primaire handvat
4. Ontgrendelknop accu
5. Batterij
6. Schakelaar pendelinstelling
7. Schaalverdeling voor verstekhoek
8. Stofzuigeradapter
9. Grondplaat
10. Geleideroller
11. Hulphandgreep
12. Beschermkap
13. Klemhendel
14. Vleugelbouten voor parallele geleiding
15. Inbussleutel
16. Boorkop
17. Zaagblad
18. Bout voor grondplaat
19. Aan/uitschakelaar
20. Instelwiel toerental
21. Zaagmerkteken
22. Grondplaatafdekking
23. Led-controlelampjes knop
24. Led-controlelampjes accu
25. Acculader
26. LED-indicatielampjes lader

### 3. ASSEMBLAGE



*Neem altijd voor werkzaamheden aan het elektrische gereedschap de accu uit het gereedschap.*



*De accu moet zijn opgeladen voordat deze voor het eerst wordt gebruikt.*

#### De accu in de machine plaatsen (Afb. A, G)



*Zorg ervoor dat het oppervlak van de accu schoon en droog is voordat u deze op de acculader of de machine aansluit.*

1. Plaats de accu (5) in de onderkant van de machine, zoals is weergegeven in Fig. G.



- Duw de accu verder naar voren tot deze vastklikt.

**De accu van de machine verwijderen (Afb. A, G)**

- Duw op de ontgrendelingsknop van de accu (4)
- Trek de accu uit de machine zoals afgebeeld in Fig. G.

**De laadstatus van de accu controleren (Afb. J)**

- Druk kort op de knop (23) op de accu om de laadstatus van de accu te controleren.
- Op de accu bevinden zich 3 lampjes die het laadniveau aangeven. Hoe meer lampjes branden, des te meer is de accu opgeladen.
- Wanneer de lampjes niet branden, wil dit zeggen dat de accu leeg is en onmiddellijk moet worden opgeladen.

**De accu laden met de acculader (Afb. J)**

- Haal de accu (5) uit de machine.
- Draai de accu (5) ondersteboven en schuif deze op de acculader (25), zoals is weergegeven in Afb. J.
- Duw op de accu tot deze volledig in de sleuf zit.
- Steek de stekker van de acculader in een stopcontact en wacht even. De Led-lampjes op de acculader (26) gaan branden en tonen de status van de lader.

**De acculader heeft 2 led-controlelampjes (26) dat de status van het laadproces aangeeft:**

Status rode LED	Status groene LED	Status van acculader
Uit	Uit	Geen stroom
Uit	Aan	Standby mode: - Geen accu geplaatst, of - Opladen van de accu is beëindigd, de accu is volledig opgeladen
Aan	Uit	Bezig met opladen van accu

- Het kan tot 60 minuten duren voordat de 2Ah accu volledig is opgeladen.
- Het kan tot 120 minuten duren voordat de 4Ah accu volledig is opgeladen.

Verwijder, als de accu volledig is opgeladen, de stekker van de acculader uit het stopcontact en haal de accu uit de acculader.



*Wanneer deze machine gedurende een langere tijd niet wordt gebruikt, is het raadzaam de accu te bewaren in opgeladen toestand.*

**Het zaagblad vervangen (Afb. A, B)**



*Draag beschermende handschoenen wanneer u het zaagblad monteert. Gevaar voor persoonlijk letsel wanneer u het zaagblad aanraakt.*



*Gebruik alleen zaagbladen waarvan de typische gegevens overeenkomen met die in de bedieningsinstructies.*

**Het zaagblad monteren**



*Let erop dat de zaagbladhouder vrij is van resten van materiaal (zoals splinters van hout of metaal).*

- Draai de klemhendel (13) zover mogelijk naar links en houd de hendel in die positie.
- Steek het zaagblad in de zaaghouder (16). Controleer dat het zaagblad stevig bevestigd is en dat de tanden in de zaagr richting wijzen.
- Laat de klemhendel los. Controleer dat de achterzijde van het zaagblad in het midden van de geleideroller (10) is bevestigd.

Gebruik vooral het juiste zaagblad voor het te zagen metaal. Bij de machine wordt een grof zaagblad voor hout en een fijn zaagblad voor metaal en kunststoffen geleverd.

**Het zaagblad verwijderen**

- Draai de klemhendel (13) zover mogelijk naar links en houd de hendel in die positie.
- Haal het zaagblad uit de zaaghouder (16).
- Laat de klemhendel los.

**De parallelle geleiding bevestigen (Afb. C)**

- Draai de vleugelbouten (14) los.
- Monteer de parallelle geleiding (19) op de grondplaat (9).
- Stel de gewenste zaagbreedte in met de schaalverdeling op de parallelle geleiding (19) en met het zaagmerkteken op de grondplaat (21). Het

zaagmerkteken (21) geeft de positie van het zaagblad aan.

- Zet de vleugelbouten (14) vast.

## 4. BEDIENING

### De machine in-/uitschakelen (Afb. A)

- Schakel de machine in door de Aan/Uit-schakelaar (1) naar voren te schuiven.
- Schakel de machine uit door de Aan/Uit-schakelaar (1) los te laten.

### Instellen van de snelheid (Afb. A)

Het instelwiel voor het toerental wordt gebruikt voor het instellen van de snelheid. De ideale snelheid is afhankelijk van het profiel en de tanden van het zaagblad en van het te bewerken materiaal.



*Stel de snelheid niet in tijdens gebruik.*

Draai het instelwiel voor het toerental (20) naar de gewenste positie.

- Gebruik voor harde materialen een zaagblad met fijne tanden en selecteer een lagere snelheid.
- Gebruik voor zachte materialen een zaagblad met grove tanden en selecteer een hogere snelheid.

### De verstekhoek aanpassen (Afb. A, D)

- Draai de bout (18) los met de inbussleutel (15).
- Stel de grondplaat (9) af in de gewenste positie (0°- 45°). De zaaghoek (verstek) kan worden afgelezen van de schaalverdeling (7).
- Draai de bout (18) vast met de inbussleutel (15).

### De functie voor rondgaande werking (Afb. A)

Met de schakelaar voor de slingerwerking stelt u in hoe de tanden van het zaagblad in het materiaal grijpen. De schakelaar voor de slingerwerking kan in 4 standen worden gezet:

- 0 - Niet rondgaande werking
- 1 - Weinig rondgaande werking
- 2 - Middelste stand rondgaande werking
- 3 - Veel rondgaande werking

Hoeveel de functie voor de rondgaande werking moet worden toegepast kan worden bepaald door praktijktests, maar u kunt de volgende instructies in acht nemen:

- Zacht materiaal (hout, kunststoffen, enz.): stel de slinger in op niveau II of III. Met de slinger-

werking ingesteld op niveau 0 of I bereikt u een fijnere en schonere zaagsnede.

- Dun materiaal, slingerwerking op niveau 0.
- Hard materiaal (staal etc.): stel de slingerwerking in op niveau 0.
- Krommingen: stel de slingerwerking in op niveau 0.

### Insteekzagen (Afb. H)

U kunt de functie insteekzagen alleen gebruiken in zachte materialen, zoals hout, gasbeton, gipsplaten, enz. Dit vraagt echter enige oefening en is alleen mogelijk met korte zaagbladen.

- Plaats de zaag op het werkstuk en schakel de zaag in.
- Let erop dat de onderste rand van de voetplaat op het oppervlak van het werkstuk rust, zoals wordt getoond in Afb. H.
- Zaag langzaam onder een hoek in het werkstuk, terwijl u de zaag naar een verticale stand langs de zaaglijn beweegt.
- Schakel de zaag uit en haal de zaag van het werkstuk wanneer het werk is voltooid.

### Stofafzuiging (Afb. E)

- Steek de stofzuigadapter (8) in de aansluiting voor de stofafzuiging.
- Sluit de slang van de stofzuiger aan op de stofzuigadapter (8).

**NB:** voorafgaand aan het stofzuigen moet de functie Stofblazen worden uitgeschakeld.

### Functie Stofblazen (Afb. I)

U kunt met de functie Stofblazen de zaaglijn vrij houden van spaanders en vuil.

- U kunt de functie Stofblazen inschakelen door de stofblaasschakelaar (2) omlaag in te stellen.
- Om de functie Stofblazen uit te schakelen, moet de stofblaasschakelaar (2) omhoog worden ingesteld.

### Optimaal gebruik

- Klem het werkstuk vast. Gebruik klemgereedschap voor kleine werkstukken.
- Teken een lijn om de richting te bepalen waarin het zaagblad moet worden geleid.
- Houd de machine stevig vast bij de handgreep.
- Stel de zaagsnelheid in.
- Stel de verstekhoek in.
- Stel de pendelpositie in.

- Schakel de machine in.
- Wacht totdat de machine volledig op snelheid is.
- Plaats de zaagschoen op het werkstuk.
- Beweeg de machine langs de vooraf getekende lijn, waarbij de zaagschoen stevig tegen het werkstuk wordt gedrukt.
- Oefen niet te veel druk uit op de machine. Laat de machine het werk doen.
- Schakel de machine uit en wacht totdat de machine volledig tot stilstand is gekomen voordat u de machine wegzet.

## 5. ONDERHOUD



*Schakel, voordat u met de reiniging en het onderhoud begint, altijd de machine uit en haal het accupack uit de machine.*

Reinig de machinebehuizing regelmatig met een zachte doek, bij voorkeur iedere keer na gebruik. Zorg dat de ventilatiesleuven vrij van stof en vuil zijn. Gebruik bij hardnekkig vuil een zachte doek bevochtigd met zeepwater. Gebruik geen oplosmiddelen als benzine, alcohol, ammonia, etc. Dergelijke stoffen beschadigen de kunststof onderdelen.

## MILIEU



*Defecte en/of afgedankte elektrische of elektronische gereedschappen dienen ter verwerking te worden aangeboden aan een daarvoor verantwoordelijke instantie.*

### **Uitsluitend voor EG-landen**

Werp elektrisch gereedschap niet weg bij het huisvuil. Conform de Europese Richtlijn 2012/19/EG voor Afgedankte Elektrische en Elektronische Apparatuur en de implementatie ervan in nationaal recht moet niet langer te gebruiken elektrisch gereedschap gescheiden worden verzameld en op een milieuvriendelijke wijze worden verwerkt.

## GARANTIE

VONROC producten zijn ontworpen volgens de hoogste kwaliteitsstandaarden en gegarandeerd vrij van defecten, zowel materieel als fabrieksfouten, tijdens de wettelijk vastgestelde garantieperiode vanaf de eerste aankoopdatum. Mocht het product tijdens deze periode gebreken vertonen veroorzaakt door defecte materialen en/of fabrieksfouten, neem dan rechtstreeks contact op met VONROC.

De volgende situaties vallen niet onder de garantie:

- Er zijn reparaties of aanpassingen aan de machine uitgevoerd, of er is een poging daartoe ondernomen, door een nietgeautoriseerd servicecentrum.
- Normale slijtage.
- De machine is misbruikt, verkeerd gebruikt of slecht onderhouden.
- Er zijn niet-originele reserveonderdelen gebruikt.

Dit vormt de enige garantie opgesteld door het bedrijf zowel expliciet als impliciet. Er bestaan geen andere garanties expliciet of impliciet welke verder gaan dan deze garantie, inclusief impliciete garanties van verkoopbaarheid en geschiktheid voor bepaalde doeleinden. In geen enkel geval kan VONROC aansprakelijk worden gesteld voor incidentele schade of gevolgschade. Reparaties van dealers zijn gelimiteerd tot de reparatie of vervanging van defecte producten of onderdelen.

**Het product en de gebruikershandleiding zijn onderhevig aan wijzigingen. Specificaties kunnen zonder opgaaf van redenen worden gewijzigd.**

## 1. CONSIGNES DE SÉCURITÉ

En plus des avertissements de sécurité suivants, veuillez également lire les avertissements de sécurité additionnels ainsi que les instructions. Le non-respect des avertissements de sécurité et des instructions peut entraîner une décharge électrique, un incendie et/ou des blessures graves. Veuillez conserver les avertissements de sécurité et les instructions pour consultation ultérieure.

Les symboles suivants sont utilisés dans le manuel d'utilisation ou apposés sur le produit:



Lisez le manuel d'utilisation.



Signale un risque de blessures, un danger mortel ou un risque d'endommagement de l'outil en cas de non-respect des instructions de ce manuel.



Variateur électronique de vitesse.



Portez des lunettes de protection.  
Portez une protection auditive.



Porter un masque antipoussière.



Fusible miniature à fusion lente.



Température max. 45°C.



Ne jetez pas la batterie au feu.



Ne jetez pas la batterie dans de l'eau.



Separate collection for Li-ion battery.



Le produit est conforme aux normes de sécurité en vigueur spécifiées dans les directives européennes.

### CONSIGNES GÉNÉRALES DE SÉCURITÉ



**AVERTISSEMENT! Veuillez lire l'intégralité des avertissements de sécurité et des instructions.** Le nonrespect de toutes les instructions indiquées cidessous peut entraîner un risque de choc électrique, d'incendie et/ou de blessures graves.

#### Conservez ces instructions.

Le terme "appareil électrique" mentionné dans tous les avertissements cidessous se rapporte à un appareil électrique qui se branche au réseau électrique (grâce à un câble d'alimentation) ou à un appareil électrique (sans fil) fonctionnant grâce à une batterie.

#### 1) espace de travail

- Veillez toujours à garder votre espace de travail propre et bien éclairé.** Les espaces mal rangés et sombres peuvent être la cause d'accidents.
- N'utilisez pas les appareils électriques dans des environnements susceptibles d'explosion, par exemple en présence de liquides inflammables, de gaz ou de particules.** Les appareils électriques provoquent des étincelles qui peuvent enflammer les particules des émanations.
- Veillez à garder éloignés les enfants et les personnes se trouvant dans votre voisinage, lors de l'utilisation d'un appareil électrique.** Les distractions peuvent vous faire perdre le contrôle de l'appareil.

#### 2) mesures de sécurité électriques

- Les prises des appareils électriques doivent être raccordées à la prise murale correspondante. Ne modifiez jamais la prise de l'appareil, de quelque façon que ce soit. N'utilisez pas d'adaptateurs qui mettent les appareils électriques à la terre (mise à la masse).** Des prises non modifiées et branchées à la prise murale correspondante réduiront les risques de choc électrique.
- Évitez le contact direct avec les surfaces mises à la terre ou mises à la masse comme les canalisations, les radiateurs, les cuisinières et les réfrigérateurs.** En effet, le risque de choc électrique s'accroît si votre corps est mis à la terre ou à la masse.
- N'utilisez pas d'outils électriques dans des environnements pluvieux ou humides.** Si de l'eau s'introduit dans un appareil électrique, le risque de choc électrique augmentera.
- N'utilisez pas le câble de manière abusive. N'utilisez jamais le câble pour transporter, tirer ou débrancher l'appareil électrique. Veillez à garder le câble éloigné des sources de chaleur, des huiles, des rebords coupants ou des pièces actionnées.** Les câbles endommagés ou entremêlés augmentent le risque de choc électrique.

- e) **Lorsque un appareil est utilisé à l'extérieur, utilisez uniquement un câble prolongateur prévu à cet effet.** L'utilisation d'un câble à usage extérieur réduit le risque de choc électrique.
- f) **Si vous êtes contraint d'utiliser un outil électrique dans un environnement humide, utilisez une alimentation protégée par un dispositif à courant résiduel (RCD).** L'utilisation d'un RCD réduit le risque de décharge électrique.
- 3) Sécurité personnelle**
- a) **Restez vigilant, gardez un œil sur ce que vous faites et utilisez votre sens commun lors de l'utilisation d'un appareil électrique. N'utilisez pas un appareil électrique si vous êtes fatigué ou si vous êtes sous l'influence de drogues, d'alcool ou si vous prenez des médicaments.** Un moment d'inattention lors de l'utilisation des appareils électriques peut entraîner des blessures graves.
- b) **Utilisez un équipement de protection personnelle. Protégez-vous toujours les yeux.** Les équipements de protection, tels qu'un masque à poussière, des chaussures antidérapantes, des protections auditives ou un casque de sécurité, utilisés dans de bonnes conditions, réduiront le risque de blessures.
- c) **Prévenez tout démarrage involontaire. Assurez-vous que l'interrupteur est sur la position "arrêt avant de brancher l'appareil.** En effet, le transport des appareils électriques en gardant vos doigts sur l'interrupteur, ou le branchement de ces appareils en ayant l'interrupteur sur "marche accidents.
- d) **Retirez les clés de réglage ou les clés de vis de réglage avant d'allumer l'appareil électrique.** Une clé de vis de réglage ou une clé, laissée sur une pièce en mouvement de l'appareil électrique, peut entraîner des lésions corporelles.
- e) **Ne pas se précipiter. Gardez toujours vos pieds à plat et gardez votre équilibre.** Ceci permet de mieux contrôler l'appareil électrique dans des situations imprévues.
- f) **Habilitez-vous convenablement. Ne portez pas de vêtements lâches ou de bijoux. Gardez vos cheveux, vêtements et gants éloignés des pièces actionnées.** En effet, ces derniers peuvent être pris dans les pièces en action.
- g) **Si les appareils sont fournis pour la connexion des équipements d'évacuation et de récupération de la poussière, assurez-vous que ces derniers soient correctement connectés et utilisés.** L'utilisation de ces appareils peut réduire les risques liés à la poussière.
- h) **Ne pensez pas être familiarisé avec l'outil après l'avoir utilisé à de nombreuses reprises, au point de ne plus rester vigilant et d'en oublier les consignes de sécurité.** Toute action imprudente peut engendrer de graves blessures en une fraction de seconde.
- 4) Utilisation et entretien d'un appareil électrique**
- a) **Ne forcez pas l'appareil électrique. Utilisez l'appareil électrique adéquat pour votre application.** Un appareil électrique correctement choisi assurera un meilleur travail et un travail sans danger, au rythme auquel il a été conçu.
- b) **N'utilisez pas l'appareil électrique si l'interrupteur marche/arrêt ne fonctionne pas.** Un appareil électrique qui ne peut pas être commandé par l'interrupteur de contrôle est dangereux et doit être réparé.
- c) **Débranchez la prise du bloc d'alimentation avant d'effectuer des réglages, de changer des accessoires, ou de ranger les appareils électriques.** Ces mesures de sécurité préventives réduiront le risque de démarrage involontaire de l'appareil électrique.
- d) **Rangez les appareils électriques arrêtés hors de la portée des enfants et ne laissez aucune personne, non familiarisée avec l'outil ou ces instructions, utiliser l'appareil électrique.** Les appareils électriques sont dangereux entre les mains d'utilisateurs non formés.
- e) **Entretenez les appareils électriques. Vérifiez tout défaut d'alignement et l'enchaînement des pièces actionnées, la rupture de ces dernières, et les autres conditions qui peuvent affecter le fonctionnement des appareils électriques. En cas de dommages, faites réparer l'appareil électrique avant de le réutiliser.** Nombreux sont les accidents provoqués par des appareils électriques mal entretenus.
- f) **Veillez à garder les outils coupants aiguisés et propres.** Des outils coupants correctement entretenus avec des lames aiguisées sont moins susceptibles de se bloquer et sont plus faciles à contrôler.
- g) **Utilisez l'appareil électrique, les accessoires et les embouts, etc., conformément à ces instructions et de la manière prévue pour le type spécifique de l'appareil électrique, en prenant en compte les conditions de travail et le travail à effectuer.** L'utilisation de l'appareil électrique dans des applications différentes de celles prévues peut

entraîner des situations dangereuses.

- h) **Gardez les poignées et les surfaces de préhension sèches, propres et exemptes d'huile et de graisse.** Des poignées et des surfaces de préhension glissantes ne permettent pas de manipuler et de contrôler l'outil correctement en cas de situations inattendues.
- h) **Gardez les poignées et les surfaces de préhension sèches, propres et exemptes d'huile et de graisse.** Des poignées et des surfaces de préhension glissantes ne permettent pas de manipuler et de contrôler l'outil correctement en cas de situations inattendues.
- 5) Utiliser et soigner les outils à batterie**
- a) **Rechargez la batterie uniquement avec le chargeur spécifié par le fabricant.** Un chargeur adapté à une certaine batterie peut être cause de danger d'incendie quand on l'utilise avec une batterie différente.
- b) **Utilisez chaque outil uniquement avec la batterie conçue pour lui.** L'utilisation de toute autre batterie peut être cause de danger de blessure ou d'incendie.
- c) **Lorsque une batterie n'est pas en usage, gardez-la hors d'atteinte d'objets métalliques tels que les trombones, pièces de monnaie, clés, clous, vis et autres petits objets métalliques pouvant faire le contact entre une borne et l'autre.** Un court-circuit entre les bornes de la batterie peut être cause de brûlures ou d'incendie.
- d) **Dans des circonstances extrêmes, du liquide peut gicler hors de la batterie ; évitez tout contact. En cas de contact accidentel, rincez à l'eau. En cas de contact du liquide avec les yeux, consultez un médecin.** Le liquide qui gicle d'une batterie peut causer irritations ou brûlures.
- e) **N'utilisez pas un bloc-batterie ou un outil endommagé ou modifié.** Une batterie endommagée ou altérée peut avoir un comportement imprévisible qui peut conduire à un incendie, une explosion ou un risque de blessure.
- f) **N'exposez pas le bloc-batterie ou l'outil au feu ou à des températures excessives.** L'exposition au feu ou à des températures dépassant 130 °C peut provoquer une explosion. REMARQUE La température de "130°C" peut être remplacé par la température de "265°F".
- g) **Respectez les instructions pour la charge et ne rechargez pas le bloc-batterie ou l'outil à une plage de températures hors de celle spécifiée**

**dans les instructions.** Une charge mal effectuée ou à des températures hors de la plage spécifiée peut endommager la batterie et augmente le risque d'incendie.

## **6) Maintenance**

- a) **L'entretien de votre outil électrique doit être confié à un réparateur qualifié qui utilise uniquement des pièces de rechange identiques aux pièces d'origine.** Cela permet d'assurer la sécurité de l'outil électrique.
- b) **Ne réparez jamais des blocs-batteries endommagés.** Les réparations sur les blocs-batteries ne doivent être effectuées que par le fabricant ou l'un de ses prestataires de services agréés.

## **INSTRUCTIONS DE SÉCURITÉ POUR SCIES SAU-TEUSES**

- **Tenir l'outil par les surfaces de préhension isolées, lors de la réalisation d'une opération au cours de laquelle l'organe de coupe peut entrer en contact avec un câblage non apparent.** Le contact avec un fil « sous tension » peut également mettre « sous tension » les parties métalliques exposées de l'outil électrique et provoquer un choc électrique sur l'opérateur.
- **Garder les mains à distance de la zone de sciage.** Ne pas passer les mains sous la pièce à travailler. Lors d'un contact avec la lame de scie, il y a risque de blessures.
- **N'approchez l'outil électroportatif de la pièce à travailler que quand l'appareil est en marche.** Sinon, il y a risque d'un contrecoup, au cas où l'outil se coincerait dans la pièce.
- **Veiller à ce que la plaque de base repose bien sur le matériau lors du sciage.** Une lame de scie coincée peut casser ou entraîner un contrecoup.
- **Une fois l'opération terminée, arrêter l'outil électroportatif et ne retirer la lame de scie de sa ligne de coupe que lorsque celle-ci est complètement à l'arrêt.** Ainsi, un contrecoup est évité et l'outil électroportatif peut être retiré en toute sécurité.
- **N'utiliser que des lames de scie en parfait état.** Les lames de scie déformées ou émoussées peuvent se casser, avoir des effets négatifs sur la qualité de la coupe ou causer un contrecoup.
- **Une fois l'appareil arrêté, ne pas stopper la lame de scie en exerçant une pression latérale sur celle-ci.** La lame de scie peut être endommagée, se casser ou causer un contrecoup.

- **Utiliser des détecteurs appropriés afin de déceler des conduites cachées ou consulter les entreprises d'approvisionnement locales.** Un contact avec des conduites d'électricité peut provoquer un incendie ou un choc électrique. Un endommagement d'une conduite de gaz peut provoquer une explosion. La perforation d'une conduite d'eau provoque des dégâts matériels.
- **Bloquer la pièce à travailler.** Une pièce à travailler serrée par des dispositifs de serrage appropriés ou dans un étau est fixée de manière plus sûre que tenue dans les mains.
- **Avant de déposer l'outil électroportatif, attendre que celui-ci soit complètement à l'arrêt.** L'outil risque de se coincer, ce qui entraînerait une perte de contrôle de l'outil électroportatif.
- **Utilisez des pinces ou tout autre moyen pratique pour fixer et soutenir l'ouvrage sur une plateforme stable.** Tenir l'ouvrage à la main ou contre votre corps le rend instable et peut conduire à une perte de contrôle.

**AVERTISSEMENTS DE SECURITE POUR L'ACCU**

- a) **Ne pas ouvrir l'accu.** Risque de court-circuit.
- b) **Protéger l'accu de toute source de chaleur, comme p. ex. l'exposition directe au soleil, au feu, à l'eau et à l'humidité.** Il y a risque d'explosion.
- c) **En cas d'endommagement et d'utilisation non conforme de l'accu, des vapeurs peuvent s'échapper. Ventiler le lieu de travail et, en cas de malaises, consulter un médecin.** Les vapeurs peuvent entraîner des irritations des voies respiratoires.
- d) **N'utilisez l'accumulateur qu'avec votre produit Vonroc.** Ceci protège l'accumulateur contre une surcharge dangereuse.
- e) **Les objets pointus comme un clou ou un tournevis et le fait d'exercer une force extérieure sur le boîtier risque d'endommager l'accu.** Il peut en résulter un court-circuit interne et l'accu risque de s'enflammer, de dégager des fumées, d'exploser ou de surchauffer.

**AVERTISSEMENTS DE SECURITE POUR LE CHARGEUR**

**Utilisation prévue**

Chargez uniquement à l'aide de la batterie Li-ion rechargeable CD801AA un CD803AA . Tout autre type de batterie est susceptible d'éclater et de provoquer des blessures et des dommages matériels.

- a) **L'appareil n'est pas destiné à être utilisé par des personnes (notamment des enfants) souffrant de déficiences physiques, sensorielles ou mentales, ou par des personnes inexpérimentées ou non formées. Toute utilisation doit se faire sous la surveillance d'une personne responsable et avec les instructions appropriées.**

- b) **Même sous surveillance, les enfants ne doivent pas jouer avec l'appareil.**
- c) **Ne rechargez pas les batteries non rechargeables!**
- d) **Veillez effectuer la recharge des batteries dans un endroit bien ventilé!**

**2. INFORMATIONS RELATIVES À LA MACHINE**

**Utilisation prévue**

La machine est conçue pour scier le bois, le métal, le plastique, la céramique, le caoutchouc, etc, quelles que soient la taille et la forme requises, en maintenant la semelle reposer fermement sur l'ouvrage. Une lame de scie adaptée doit toujours être utilisée.

**SPÉCIFICATIONS TECHNIQUES**





*Ce manuel a été élaboré pour plusieurs kits / numéros d'articles différents. Consultez le numéro d'article correspondant à votre produit dans le tableau des caractéristiques qui suit pour obtenir la composition et le contenu corrects de votre kit.*


N° de modèle	Batteries incluses	Chargeur inclus
<b>JS504DC</b>	-	-
<b>S_JS504DC</b>	CD801AA	CD802AA
<b>S2_JS504DC</b>	2 x CD801AA	CD802AA
<b>S3_JS504DC</b>	CD803AA	CD802AA
<b>S4_JS504DC</b>	CD801AA	CD802AA

Informations relatives à la machine	
Tension du reseau	20V
Vitesse a vide	1000-2300/min
Course de la scie	17,5mm
Capacite maximale, bois 0°	65mm
Capacite maximale, acier 0°	8mm
Poids	1,40 kg
Pression sonore LPA	86,0 dB(A), K=5dB(A)

Puissance sonore LWA	97,0 dB(A), K=5dB(A)
Vibration 'sciage tole'	6,537 m/s <sup>2</sup> K=1,5 m/s <sup>2</sup>
Vibration 'sciage contre-plaque'	7,317 m/s <sup>2</sup> K=1,5 m/s <sup>2</sup>

N° de modèle	CD801AA
Type de batterie	Lithium-Ion
Tension	20V 
Capacité	2,0 Ah
Chargeurs recommandés	CD802AA
Poids	0,3 kg

N° de modèle	CD802AA
Entrée chargeur	220-240V, 50Hz 0,4A
Sortie chargeur	21V  2,5A
Durée de charge 2Ah Batterie	60 minutes
Durée de charge 4Ah Batterie	120 minutes
Accus recommandés	CD801AA, CD803AA
Poids	0,36 kg

N° de modèle	CD803AA
Type de batterie	Lithium-Ion
Tension	20V 
Capacité	4,0 Ah
Chargeurs recommandés	CD802AA
Poids	0,65 kg

N'utilisez que les batteries suivantes de la plateforme Batterie VONROC VPOWER 20V. L'utilisation de toute autre batterie pourrait provoquer de graves blessures ou endommager l'outil.

CD801AA            20V, 2Ah Lithium-Ion  
 CD803AA            20V, 4Ah Lithium-Ion

Le chargeur suivant peut être utilisé pour recharger ces batteries.

CD802AA            Chargeur rapide

Les batteries de la plateforme Batterie VONROC VPOWER 20V sont interchangeables pour tous les outils de la plateforme Batterie VONROC VPOWER 20V.

### Niveau de vibrations

Le niveau des vibrations émises, indiqué dans ce manuel, a été mesuré conformément à la procédure décrite par la norme EN 62841. Il peut être utilisé pour comparer deux outils ou pour réaliser une estimation préalable de l'exposition aux vibrations lors de l'utilisation de l'outil pour les applications mentionnées.

- L'utilisation de l'outil dans d'autres applications ou avec des accessoires différents ou mal entretenus peut considérablement augmenter le niveau d'exposition.
- La mise hors tension de l'outil et sa non-utilisation pendant qu'il est allumé peuvent considérablement réduire le niveau d'exposition.

Protégez-vous contre les effets des vibrations par un entretien correct de l'outil et de ses accessoires, en vous échauffant les mains et en organisant vos rythmes de travail.

### DESCRIPTION

Les numéros dans le texte se rapportent aux schémas des pages 2-4.

1. Interrupteur marche/arrêt
2. Interrupteur pour le soufflage de la poussière
3. Poignée principale
4. Bouton de déverrouillage de la batterie
5. Pile
6. Interrupteur de mouvement pendulaire
7. Échelle de graduation de l'angle du biseau
8. Adaptateur pour aspirateur
9. Plaque de fond
10. Rouleau de guidage
11. Poignée auxiliaire
12. Carter de protection
13. Levier de serrage
14. Boulons à ailette pour le guide parallèle
15. Clé à six pans
16. Mandrin
17. Lame de la scie
18. Boulon de la semelle
19. Parallèle guide
20. Molette de réglage de la vitesse
21. Repère de coupe
22. Cache-semelle
23. Bouton indicateur de batterie
24. Indicateur de charge de la batterie
25. Chargeur
26. Voyants du chargeur



### 3. MONTAGE



Avant tous travaux sur l'outil électroportatif, sortez l'accu.



Vous devez charger la batterie avant la première utilisation.

#### Insertion de la batterie dans la machine (Fig. A, G)



Vérifiez que la surface extérieure de la batterie est propre et sèche avant de brancher le chargeur ou la machine.

1. Insérez la batterie (5) dans la base de la machine, comme illustré à la Fig. G.
2. Poussez la batterie vers l'avant jusqu'à ce qu'elle s'enclenche.

#### Retrait de la batterie de la machine (Fig. A, G)

1. Poussez le bouton de déverrouillage de la batterie (4).
2. Retirez la batterie de la machine, comme illustré à la Fig. G.

#### Contrôle de l'état de charge de la batterie (Fig. J)

- Pour vérifier l'état de charge de la batterie, appuyez brièvement sur le bouton (23) de la batterie.
- Quatre voyants indiquent le niveau de charge de la batterie. Plus il y a de voyants allumés, plus la charge est importante.
- Lorsque les voyants sont éteints cela indique que la batterie est vide et qu'elle doit être rechargée immédiatement.

#### Recharge de la batterie avec le chargeur (Fig. J)

1. Retirez la batterie (5) de la machine.
2. Retournez la batterie (5) et faites-la glisser dans le chargeur (25), comme illustré à la Fig. J.
3. Enfoncez la batterie tout au fond du logement.
4. Branchez la fiche du chargeur dans une prise électrique et patientez. Les indicateurs à LED sur le chargeur (26) s'allument et indiquent l'état du chargeur.

#### Le chargeur possède deux indicateur à LED (26) qui indique l'état du processus de charge:

État de l'indicateur à LED rouge	État de l'indicateur à LED vert	État du chargeur
Éteint	Éteint	Aucune alimentation
Éteint	Allumé	Mode veille: - Aucune batterie n'est insérée ou - La batterie est insérée, mais la charge s'est achevée
Allumé	Éteint	Batterie en cours de charge

- Il faut compter jusqu'à 60 minutes pour recharger complètement la batterie 2Ah.
- Il faut compter jusqu'à 120 minutes pour recharger complètement la batterie 4Ah.

Lorsque la batterie est entièrement chargée, débranchez le chargeur de la prise secteur et retirez la batterie du chargeur.



Quand la machine n'est pas utilisée pendant une période prolongée, il est préférable d'entreposer la batterie rechargée.

#### Remplacer la lame de scie (Fig. A, B)



Portez des gants de protection pour installer la lame de scie. Risque de blessure en cas de contact avec la lame.



N'utilisez que des lames de scie correspondant aux caractéristiques mentionnées dans les instructions d'utilisation.

#### Installer la lame de scie



Assurez-vous que le porte-lame est exempt de tout débris de matériau (éclats de bois ou de métal par exemple).

1. Tournez le levier de serrage (13) aussi loin que possible vers la gauche et maintenez-le en position.
2. Insérez la lame de scie dans le mandrin (16). Contrôlez que la lame de scie est bien sécurisée et que les dents pointent dans le sens de coupe.
3. Relâchez le levier de serrage. Contrôlez que l'arrière de la lame de scie est positionnée au centre du rouleau de guidage (10).

Assurez-vous d'utiliser la bonne lame de scie en fonction de la matière à scier. Une lame de scie à grosses dents pour le bois et une lame de scie à dents fines pour le métal et le plastique sont fournies avec la machine.

#### Retirer la lame de scie

1. Tournez le levier de serrage (13) aussi loin que possible vers la gauche et maintenez-le en position.
2. Retirez la lame de scie du mandrin (16).
3. Relâchez le levier de serrage.

#### Installer le guide parallèle (Fig. C)

1. Desserrez le boulon à ailette (14).
2. Installez le guide parallèle (19) sur la semelle (9).
3. Réglez la largeur de coupe voulue à l'aide de l'échelle de graduation du guide parallèle (19) et du repère de coupe sur la semelle (21). Le repère de coupe (21) indique la position de la lame de scie.

## 4. FONCTIONNEMENT

#### Allumer et éteindre la machine (Fig. A)

- Pour mettre la machine en marche, poussez l'interrupteur vers l'avant et enfoncez l'interrupteur Marche/Arrêt (1).
- Pour éteindre la machine, relâchez l'interrupteur Marche/Arrêt (1).

#### Réglage de la vitesse (Fig. A)

La molette de réglage de vitesse (20) sert à ajuster la vitesse. La vitesse idéale dépend du profil et des dents de la lame de scie ainsi que du matériau ouvré.



*Ne réglez pas la vitesse pendant l'utilisation.*

Sélectionnez la vitesse souhaitée au moyen de la molette de réglage de vitesse (20).

- Pour les matériaux durs, utilisez une lame de scie aux dents fines et sélectionnez une vitesse plus lente.
- Pour les matériaux mous, utilisez une lame de scie aux dents plus grossières et sélectionnez une vitesse plus rapide.

#### Régler l'angle de biseau (Fig. A, D)

1. Desserrez le boulon (18), à l'aide de la clé à six pans (15).

2. Réglez la semelle (9) à la position voulue (entre 0° et 45°). L'angle de coupe (biseau) peut être lu sur l'échelle de graduation (7).
3. Resserrez le boulon (18), à l'aide de la clé à six pans (15).

#### Régler le mouvement orbital (Fig. A)

L'interrupteur du mouvement pendulaire sert à régler la façon dont les dents de la lame de scie accrochent la matière. L'interrupteur du mouvement pendulaire permet 4 positions de réglage :

- 0 - Aucun mouvement orbital
- 1 - Faible mouvement orbital
- 2 - Mouvement orbital moyen
- 3 - Grand mouvement orbital

Le mouvement orbital requis peut être défini par des tests en respectant les instructions suivantes :

- Matière tendre (bois, plastique, etc.) : réglez le mouvement pendulaire au niveau II ou III. Pour une coupe plus fine et plus propre, utilisez le niveau 0 ou I.
- Matière fine, utilisez le niveau de mouvement pendulaire 0.
- Matière dure (acier, etc.) : réglez le mouvement pendulaire au niveau 0.
- Courbes : réglez le mouvement pendulaire au niveau 0.

#### Coupes plongées (Fig. H)

Les coupes plongées ne peuvent être réalisées que dans des matières tendres comme le bois, le béton cellulaire, le plâtre, etc. Elles requièrent cependant une certaine pratique et nécessitent des lames de scie courtes.

1. Posez la scie sur l'ouvrage et allumez-la.
2. Assurez-vous que le bord inférieur de la semelle repose sur l'ouvrage comme illustré par la figure H.
3. Sciez lentement la matière à un certain angle en déplaçant la scie à la verticale et continuez à scier le long de la ligne de coupe.
4. Éteignez la scie et retirez l'ouvrage lorsque la tâche est terminée.

#### Extraction des poussières (Fig. E)

- Insérez l'adaptateur pour aspirateur (8) dans le raccord pour l'extraction des poussières.
- Raccordez le tuyau de l'aspirateur à l'adaptateur pour aspirateur (8).

**Remarque :** La fonction Soufflage de la poussière doit être désactivée pour pouvoir utiliser un aspirateur.

### Fonction Soufflage de la poussière (Fig. 1)

Grâce à la fonction Soufflage de la poussière, la ligne de coupe reste propre, sans copeaux ni débris.

- Pour activer la fonction Soufflage de la poussière, déplacez l'interrupteur pour le soufflage de la poussière (2) vers le bas.
- Pour désactiver la fonction Soufflage de la poussière, déplacez l'interrupteur pour le soufflage de la poussière (2) vers le haut.

### Utilisation optimale

- Serrez la pièce à ouvrir. Utilisez un appareil de serrage pour les petites pièces.
- Tirez une ligne définissant la direction de guidage de la lame de scie.
- Tenez fermement la machine par la poignée.
- Réglez la vitesse de coupe.
- Réglez l'angle d'onglet.
- Réglez la position pendulaire.
- Mettez la machine en marche.
- Attendez que la machine atteigne son régime maximum.
- Placez le patin de scie sur la pièce à ouvrir.
- Déplacez lentement la machine le long de la ligne tracée en appuyant le patin de scie fermement contre le mur.
- N'exercez pas de pression excessive sur la machine. Laissez la machine faire le travail.
- Éteignez la machine et attendez son immobilisation totale avant de la reposer.

## 5. ENTRETIEN



*Avant le nettoyage et l'entretien, mettez toujours la machine hors tension et retirez la batterie de la machine.*

Nettoyez le corps de la machine régulièrement au moyen d'un chiffon doux, de préférence après chaque utilisation. Vérifiez que les ouvertures d'aération ne sont pas obstruées ni sales. Utilisez un chiffon doux légèrement humidifié avec de la mousse de savon pour nettoyer les taches persistantes. N'utilisez pas de produits de nettoyage tels que l'essence, l'alcool, l'ammoniac, etc.; ces produits peuvent endommager les parties synthétiques.

## ENVIRONNEMENT



*Les équipements électroniques ou électriques defectueux ou destinés à être mis au rebut doivent être déposés aux points de recyclage appropriés.*

### Uniquement pour les pays de l'UE

Ne jetez pas les outils électriques avec les déchets domestiques. Selon la Directive européenne 2012/19/CE relative aux déchets d'équipements électriques et électroniques et sa mise en œuvre dans le droit national, les outils électriques hors d'usage doivent être collectés séparément et mis au rebut de manière écologique.

## GARANTIE

Les produits VONROC sont développés aux plus hauts standards de qualité et ils sont garantis contre les défauts de pièces et de main d'oeuvre pendant la durée légale stipulée à partir de la date d'achat d'origine du produit. En cas d'une quelconque panne du produit pendant cette durée qui serait due à un défaut matériel et/ou de main d'oeuvre, contactez directement VONROC.

Les circonstances suivantes ne sont pas prises en charge par la garantie:

- Des réparations ou altérations ont été effectuées ou tentées sur la machine par un centre de réparation non agréé.
- L'usure normale.
- L'outil a été maltraité, mal utilisé ou mal entretenu.
- Des pièces détachées non d'origine ont été utilisées.

Ceci constitue l'unique garantie accordée par la société explicitement ou implicitement. Il n'existe aucune autre garantie, explicite ou implicite, qui peut s'étendre au delà du contenu ici présent, y compris les garanties marchandes ou d'adaptation à des fins particulières. En aucun cas VONROC ne sera tenu responsable de dommages accidentels ou consécutifs. Les solutions proposées par les revendeurs devront se limiter à la réparation ou le remplacement des éléments ou pièces non conformes.

**Le produit et le manuel d'utilisation sont sujets à modifications. Les spécifications peuvent changer sans préavis.**

## 1. INSTRUCCIONES DE SEGURIDAD

Lea las advertencias de seguridad, las advertencias de seguridad adicionales y las instrucciones adjuntas. De no respetarse las advertencias de seguridad y las instrucciones, podrían producirse descargas eléctricas, incendios y/o lesiones graves. Conserve las advertencias de seguridad y las instrucciones para su posterior consulta.

Los siguientes símbolos se utilizan en el manual de usuario o en el producto:



Lea el manual de usuario.



Riesgo de lesiones personales.



Velocidad electrónica variable.



Lleve gafas de seguridad.  
Lleve protección auditiva.



Use mascarilla contra el polvo.



Fusible cinta miniatura de tipo retardado.



Temperatura máx. 45°C.



No arroje la batería al fuego.



No arroje la batería al agua.



Recogida selectiva de la batería de iones de litio.



El producto es conforme con las normas de seguridad vigentes en las Directivas Europeas.

### INSTRUCCIONES GENERALES DE SEGURIDAD



**PRECAUCIÓN!** Lea todas las advertencias de seguridad y todas las instrucciones. Si no lo hace, el uso indebido puede acarrear cortocircuitos, fuego o lesiones graves.

#### Conserve estas instrucciones.

El término "herramienta eléctrica", en todas las advertencias enumeradas a continuación se refiere a su herramienta eléctrica (i nalámbtrica) que funciona con una batería o a través de la red eléctrica.

- 1) **Área de trabajo**
  - a) **Trabaje en un lugar limpio y bien iluminado.** Lugares no iluminados o sucios propician accidentes.
  - b) **No use herramientas eléctricas donde haya riesgo de fuego o explosión, p.ej: cerca de líquidos o gases inflamables, polvo etc.** Las herramientas eléctricas producen chispas que pueden producir la ignición de partículas de humo.
  - c) **Mantenga a los niños y otras personas alejados mientras utiliza la herramienta eléctrica.** Las distracciones pueden hacer que pierda el control de la herramienta.

### 2) Seguridad eléctrica

- a) **Cerchiórese de que las clavijas de la herramienta eléctrica están correctamente enchufadas. Nunca modifique la clavija. No utilice ningún adaptador para la clavija de una herramienta eléctrica con conexión a tierra.** Las clavijas que no se hayan cambiado y los enchufes adecuados reducen el riesgo de cortocircuitos.
- b) **Evite el contacto humano con superficies con conexiones a tierra como tubos metálicos, conductos, tubos de la calefacción, radiadores y refrigeradores.** El riesgo de cortocircuitos es mayor cuando el cuerpo está en contacto con el suelo.
- c) **No use herramientas eléctricas bajo la lluvia o en entornos húmedos.** Si entra agua en una herramienta eléctrica aumenta el riesgo de cortocircuito.
- d) **No utilice el cable para todo. Nunca utilice el cable para mover la máquina, empujarla o sacar la clavija del enchufe. Mantenga el cable alejado del calor, aceite, zonas cortantes o piezas en movimiento.** Los cables dañados o enredados aumentan el riesgo de cortocircuito.
- e) **Use un cable alargador impermeable adecuado para exteriores cuando trabaje con la herramienta eléctrica al aire libre.**  
El riesgo de cortocircuito es menor si utiliza un cable alargador adecuado para exteriores.
- f) **Si no se puede evitar el uso de la herramienta eléctrica en un lugar húmedo, use suministro protegido mediante dispositivo diferencial residual (DDR).** El uso de un DDR reduce el riesgo de choque eléctrico.
- h) **No permita que la familiaridad adquirida con el uso frecuente de las herramientas le haga confiarse e ignorar los principios de seguridad de las herramientas.** Una acción descuidada puede causar lesiones graves en una fracción de segundo.

### 3) Seguridad personal

- a) **No se descuide, preste atención a lo que está haciendo y utilice el sentido común mientras trabaje con esta herramienta. No use herramientas eléctricas cuando esté cansado o esté bajo los efectos del alcohol, las drogas o los medicamentos.** Un momento de distracción, mientras utilice la herramienta eléctrica, puede provocar lesiones personales graves.
  - b) **Use equipo de protección individual. Use siempre gafas protectoras.** El uso en condiciones apropiadas del equipo de seguridad como por ejemplo: mascarilla antipolvo, zapatos antideslizantes de seguridad, casco o protección para los oídos, disminuye el riesgo de sufrir lesiones personales.
  - c) **Evite arranques involuntarios. Asegúrese de que el interruptor está en la posición de apagado antes de conectarlo a la fuente de electricidad.** Transportar herramientas eléctricas con el dedo puesto sobre el interruptor o enchufarlas con el interruptor encendido puede causar accidentes.
  - d) **Quite cualquier llave de ajuste antes de encender la herramienta eléctrica.** Una llave olvidada junto a una pieza móvil de la herramienta eléctrica puede provocar lesiones personales graves.
  - e) **No se estire demasiado. Mantenga siempre el equilibrio y tenga los pies en el suelo.** Esto permite un mayor control de la herramienta eléctrica en situaciones inesperadas.
  - f) **Vístase apropiadamente. No lleve prendas holgadas o joyas. Mantenga su pelo, ropa y guantes alejados de las piezas móviles.** Las prendas holgadas, las joyas y el pelo largo pueden quedar atrapados en las piezas móviles.
  - g) **Si se han suministrado dispositivos para la extracción y recogida de polvo asegúrese de que estos estén conectados y se utilicen correctamente.** El uso de estos dispositivos puede reducir los riesgos relacionados con el polvo.
  - h) **Mantenga las asas y las superficies de agarre secas, limpias y libres de aceite y grasa.** Las asas y las superficies de agarre resbaladizas no permiten un manejo y control seguros de la herramienta en situaciones inesperadas.
- 4) Utilización y cuidados de la herramienta eléctrica**
- a) **No fuerce la herramienta eléctrica. Utilice la herramienta eléctrica adecuada para el trabajo que vaya a realizar.** Una herramienta eléctrica apropiada realizará un trabajo mejor y más seguro si se utiliza para el objetivo con el que

ha sido diseñada.

- b) **No use herramientas que no pueden encenderse o apagarse con el interruptor.** Las herramientas que ya no se puedan encender y apagar son peligrosas y deben repararse.
  - c) **Desenchufe la clavija de la toma de electricidad antes de realizar modificaciones, cambiar accesorios o guardar las herramientas eléctricas.** Tales medidas de seguridad preventivas reducen el riesgo de la puesta en marcha accidental.
  - d) **Mantenga a los niños alejados de una herramienta eléctrica sin utilizar y no permita a personas que no estén familiarizadas con la máquina o estas instrucciones utilizar la herramienta.** La herramienta eléctrica puede ser peligrosa cuando la utilicen personas sin experiencia.
  - e) **Conserve sus herramientas cuidadosamente. Verifique cualquier desalineación o agarrotamiento de piezas móviles, piezas dañadas y cualquier otra causa, que pudiera repercutir en el buen funcionamiento de la herramienta eléctrica. Si la herramienta está estropeada, repárela antes de utilizarla.** Muchos de los accidentes están causados por un mantenimiento insuficiente del equipo eléctrico.
  - f) **Mantenga las herramientas de corte limpias y afiladas.** Sierras con esquinas cortantes con un buen mantenimiento se bloquean menos y son más fáciles de controlar.
  - g) **Utilice la herramienta eléctrica, accesorios y brocas etc. Siguiendo las instrucciones atendiendo al tipo de herramienta eléctrica y tenga en cuenta las condiciones de trabajo y el tipo de trabajo que se va a realizar.** Puede ser peligroso realizar trabajos con la herramienta diferentes de aquellos para los que está diseñada.
- 5) Uso y cuidado de las herramientas alimentadas por batería**
- a) **Recargue las baterías únicamente con el cargador recomendado por el fabricante.** Un cargador que es apto para un tipo de baterías determinado puede provocar riesgo de incendio si se usa para cargar otra clase de baterías.
  - b) **Use las herramientas eléctricas sólo con las baterías indicadas específicamente.** El uso de otra clase de baterías diferente puede ocasionar el riesgo de derivar en lesiones o un incendio.
  - c) **Cuando el paquete de baterías no esté en uso, consérvelo retirado de objetos metálicos como sujetapapeles, monedas, llaves, clavos, tornillos o cualquier otro objeto metálico pequeño**

**que pueda hacer puente entre las terminales.**

El contacto entre las terminales de la batería puede causar quemaduras o incendio.

- d) **Bajo condiciones extremas de abuso la batería podría expulsar un líquido; evite todo contacto. Si se produjese contacto accidentalmente, lávese bien con agua. Si el líquido hace contacto con los ojos, consulte también al médico.**

El líquido emanado de la batería puede causar irritaciones o quemaduras.

- e) **No utilice una batería o una herramienta que esté dañada o modificada.** Las baterías dañadas o modificadas pueden presentar un comportamiento impredecible y provocar un incendio, una explosión o riesgo de lesiones.
- f) **No exponga una batería o una herramienta al fuego o a temperatura excesiva.** La exposición al fuego o a temperaturas superiores a 130 °C puede provocar una explosión. NOTA La temperatura "130 °C" puede sustituirse por la temperatura "265 °F".
- g) **Siga todas las instrucciones de carga y no cargue la batería o la herramienta fuera del rango de temperatura especificado en las instrucciones.** La carga incorrecta o a temperaturas fuera del rango especificado puede causar daños a la batería y aumentar el riesgo de incendio.

## 6) Servicio

- a) **Haga reparar su herramienta eléctrica por una persona cualificada, usando solo piezas de repuesto idénticas.** Esto garantiza que se mantenga la seguridad de la herramienta eléctrica.
- b) **Nunca repare las baterías dañadas.** El mantenimiento de las baterías debe ser realizado solo por el fabricante o los proveedores de servicio autorizados.

## ADVERTENCIAS DE SEGURIDAD PARA SIERRAS DE VAIVÉN

- **Aferre la herramienta eléctrica por las superficies de agarre aisladas cuando realice alguna operación en la que el accesorio de corte pueda entrar en contacto con cables ocultos.** Si el accesorio de corte entra en contacto con un cable bajo tensión, puede exponer las partes metálicas de la herramienta a tensión y ocasionar una descarga eléctrica al operador.
- **Mantenga las manos alejadas de la zona de corte.** No ponga las manos debajo de la pieza de trabajo. El contacto con la hoja de la sierra puede causar lesiones.
- **Coloque la máquina sobre la pieza de trabajo**

**solo cuando la máquina está encendida.** De lo contrario, existe el riesgo de contragolpes si la herramienta de corte se atasca en la pieza de trabajo.

- **Preste atención a que la placa de base esté bien apoyada sobre el material cuando corte.** Si la hoja de la sierra se atasca puede romperse o causar contragolpes.
- **Después de terminar el corte, desconecte la máquina y extraiga la hoja de la sierra del corte solo después de que se haya detenido.** De esta manera puede evitar el contragolpe y puede apoyar la máquina de forma segura.
- **Use solo hojas de sierra en perfecto estado y que no estén dañadas.** Las hojas de sierra dobladas o desafiladas pueden romperse, arruinar el corte o causar un contragolpe.
- **No frene la hoja de sierra para pararla aplicando una presión lateral después de desconectarla.** La hoja de la sierra puede dañarse, romperse o causar un contragolpe.
- **Use detectores apropiados para determinar si hay líneas de servicios ocultas en el área de trabajo o llame a la compañía de servicios local para obtener información.** Cualquier contacto con las líneas eléctricas puede provocar incendios y descargas eléctricas. Si se daña un tubo de gas, se puede provocar una explosión. Si se penetra en una línea de agua, se pueden causar daños a la propiedad.
- **Inmovilice la pieza de trabajo.** Una pieza de trabajo fijada con dispositivos de fijación o en un tornillo de banco se sujeta de forma más segura que con la mano.
- **Espere siempre a que la máquina se detenga completamente antes de apoyarla.** La pieza insertada puede atascarse y provocar la pérdida de control de la herramienta eléctrica.
- **Utilice prensas o cualquier otro medio práctico de asegurar y sostener la pieza de trabajo en una plataforma segura.** Si sujeta la pieza de trabajo con las manos o contra su cuerpo, la pieza perderá estabilidad y podría perder el control de la misma.

## ADVERTENCIAS DE SEGURIDAD PARA LA BATERÍA

- a) **No abra la batería.** Existe peligro de cortocircuito.
- b) **Proteja la batería del calor, p. ej., de la luz solar intensa continua, los incendios, el agua y la humedad.** Peligro de explosión.

- c) **En caso de daño y uso incorrecto de la batería, esta puede emitir vapores. Ventile el área y consulte un médico si se siente mal.** Los vapores pueden irritar el sistema respiratorio.
- d) **Utilice la batería solo junto con su producto Vonroc.** Esta medida protege la batería de sobrecargas peligrosas.
- e) **La batería se puede dañar con objetos puntiagudos como clavos o destornilladores o si se somete a alguna fuerza exterior.** Puede producirse un cortocircuito interno que dé lugar a que la batería se incendie, emita humo, explote o se sobrecaliente.

### ADVERTENCIAS DE SEGURIDAD PARA EL CARGADOR

#### Uso previsto

Cargue solo las baterías recargables CD801AA y CD803AA con el cargador. Otros tipos de baterías pueden estallar y causar lesiones y daños.

- a) **El aparato no debe ser usado por personas (incluidos niños) con capacidad física, sensorial o mental reducida, o que no tengan experiencia o conocimiento suficientes, salvo que hayan sido capacitadas o estén bajo supervisión.**
- b) **Controle que los niños no jueguen con el aparato.**
- c) **No recargue baterías no recargables.**
- d) **Durante la carga, las baterías deben colocarse en un lugar bien ventilado.**

## 2. INFORMACIÓN DE LA MÁQUINA

#### Uso previsto

La máquina ha sido diseñada para cortar madera, metales, plásticos, cerámica, caucho, etc. de cualquier tamaño y forma que sea necesario, manteniendo la placa de base bien apoyada contra la pieza de trabajo. Siempre se debe usar una hoja de sierra adecuada.

### ESPECIFICACIONES TÉCNICAS



*Este manual ha sido redactado para diferentes números de juegos / artículos. Compruebe el número de artículo correspondiente en la siguiente tabla de especificaciones para conseguir la composición y el contenido correctos de su juego.*

Modelo n.º	Baterías incluidas	Cargador incluido
<b>JS504DC</b>	-	-
<b>S_JS504DC</b>	CD801AA	CD802AA
<b>S2_JS504DC</b>	2 x CD801AA	CD802AA
<b>S3_JS504DC</b>	CD803AA	CD802AA
<b>S4_JS504DC</b>	CD801AA	CD802AA


### Información de la máquina

Voltaje principal	20V
Velocidad sin carga	1000-2300/min
Carrera de la sierra	17,5mm
Cap. max. de la sierra, madera 0°	65mm
Cap. max. de la sierra, acero 0°	8mm
Peso	1,40 kg
Nivel de presión sonora LPA	86,0 dB(A), K=5dB(A)
Nivel de potencia sonora LWA	97,0 dB(A), K=5dB(A)
Vibración "Corte de chapa"	6,537 m/s <sup>2</sup> K=1,5 m/s <sup>2</sup>
Vibración "Cortar madera contrachapada"	7,317 m/s <sup>2</sup> K=1,5 m/s <sup>2</sup>

Modelo n.º	CD801AA
Tipo de batería	iones de litio
Voltaje	20V
Capacidad	2,0 Ah
Cargador recomendado	CD802AA
Peso	0,3 kg

Modelo n.º	CD802AA
Entrada del cargador	220-240V, 50Hz 0,4A
Salida del cargador	21V
Tiempo de carga de la batería de 2 Ah	60 minutos
Tiempo de carga de la batería de 4 Ah	120 minutos
Baterías recomendadas	CD801AA, CD803AA
Peso	0,36 kg

Modelo n.º	CD803AA
Tipo de batería	Liones de litio

Voltaje	20V 
Capacidad	4,0 Ah
Cargador recomendado	CD802AA
Peso	0,65 kg

Use solo las siguientes baterías de la plataforma de baterías VONROC POWER 20V. El uso de cualquier otra batería puede causar lesiones graves o dañar la herramienta.

CD801AA	20V, 2 Ah de iones de litio
CD803AA	20V, 4 Ah de iones de litio

Para cargar estas baterías se puede utilizar el siguiente cargador de batería.

Cargador rápido CD802AA

Las baterías de la plataforma de baterías VONROC POWER 20V son intercambiables con todas las herramientas de la plataforma de baterías VONROC POWER 20V.

#### Nivel de vibración

El nivel de emisión de vibraciones indicado en este manual de instrucciones ha sido medido según una prueba estándar proporcionada en EN 62841; puede utilizarse para comparar una herramienta con otra y como valoración preliminar de la exposición a las vibraciones al utilizar la herramienta con las aplicaciones mencionadas.

- al utilizarla para distintas aplicaciones o con accesorios diferentes o con un mantenimiento deficiente, podría aumentar de forma notable el nivel de exposición
- en las ocasiones en que se apaga la herramienta o cuando está funcionando pero no está realizando ningún trabajo, se podría reducir el nivel de exposición de forma importante

Protéjase contra los efectos de la vibración realizando el mantenimiento de la herramienta y sus accesorios, manteniendo sus manos calientes y organizando sus patrones de trabajo

#### DESCRIPCIÓN

Los números del texto se refieren a los diagramas de las páginas 2-4.

- Posición de apagado
- Interruptor del soplador de polvo

- Empuñadura principal
- Botón de desbloqueo de la batería
- Cubierta de la placa de base
- Interruptor de acción pendular
- Escala para ángulo de bisel
- Adaptador para aspiradora
- Placa de base
- Rodillo de guía
- Empuñadura auxiliar
- Protección
- Palanca de sujeción
- Tornillo de mariposa de ajuste de profundidad
- Llave hexagonal
- Portaherramienta
- Hoja de sierra
- Tornillo para la placa de base
- Guía paralela
- Rueda de ajuste de velocidad
- Cabezal de corte
- Cubierta de la placa de base
- Indicadores LED de la batería
- Indicadores LED de la batería
- Cargador
- Cable de carga

### 3. MONTAJE



*Antes de realizar cualquier trabajo en la herramienta eléctrica, extraiga la batería.*



*Debe cargarse la batería antes de usar por primera vez la herramienta.*

#### Insertar la batería en la máquina (Fig. A, G)



*Compruebe que la parte exterior de la batería esté limpia y seca antes de colocarla en el cargador o en la máquina.*

- Inserte la batería (5) en la base de la máquina como se muestra en la Fig. F.
- Pulse la batería más hacia delante hasta que haga clic en su sitio.

#### Extraer la batería de la máquina (Fig. A, G)

- Apriete los botones de desbloqueo de la batería (4).
- Saque batería de la máquina como se muestra en la Fig. G.



**Comprobación del estado de carga de la batería (Fig. J)**

- Para comprobar el estado de carga de la batería, apriete brevemente el botón (23) de la batería.
- La batería tiene 3 luces que indican el nivel de carga, cuantas más luces estén encendidas, más batería queda.
- Cuando las luces están apagadas significa que la batería está vacía y debe cargarse inmediatamente.

**Carga de la batería con el cargador (Fig.J)**

1. Extraiga la batería (5) de la máquina.
2. Dé vuelta la batería (5) y deslícela en el cargador (25) como se muestra en la Fig J.
3. Empuje la batería hasta que quede totalmente colocada en la ranura.
4. Enchufe el enchufe del cargador en una toma de corriente eléctrica y espere un poco. Los indicadores de LED del cargador (26) se encenderán y mostrarán el estado del cargador.

**El cargador tiene 2 indicadores de LED (26) que indican el estado del proceso de carga:**

LED de estado ROJO	LED de estado verde	Estado de la carga
Desactivado	Desactivado	Sin alimentación
Desactivado	Activado	Modo espera: - No hay ninguna batería insertada o, - Se ha insertado la batería pero el proceso de carga ha finalizado
Activado	Desactivado	Carga de la batería en curso

- La carga completa de la batería de 2 Ah puede llevar hasta 60 minutos.
- La carga completa de la batería de 4 Ah puede llevar hasta 120 minutos.

Después de que la batería esté totalmente cargada, desenchufe el enchufe del cargador de la toma de corriente y extraiga la batería del cargador.



*Cuando la no vaya a utilizarse la máquina durante un período de tiempo prolongado, es conveniente guardar la batería cargada.*

**Sustitución de la hoja de la sierra (Fig. A, B)**



*Cuando monte la hoja de la sierra, use guantes protectores. Peligro de lesiones al tocar la hoja de la sierra.*



*Utilice únicamente hojas de sierra que correspondan con los datos de las características indicados en las instrucciones de funcionamiento.*

**Montar la hoja de la sierra**



*Compruebe que el portahoja no tenga restos de material (como astillas de madera o metal).*

1. Gire la palanca de sujeción (13) lo más a la izquierda posible y mantenerla en esa posición.
2. Insertar la hoja de la sierra en el mandril (16). Compruebe que la hoja de la sierra está bien sujeta y que los dientes apuntan hacia abajo.
3. Suelte la palanca de sujeción. Compruebe si la hoja de la sierra está bloqueada en su sitio.

Asegúrese de usar la hoja de sierra adecuada para el material que corresponda. La máquina se suministra con una hoja de sierra para madera y una hoja de sierra fina para metal y plástico.

**Desmontar la hoja de la sierra**

3. Gire la palanca de sujeción (13) lo más a la izquierda posible y mantenerla en esa posición.
4. Extraer la hoja de sierra del mandril (16).
5. Suelte la palanca de sujeción.

**Colocación de la guía paralela (Fig. C)**

1. Afloje los tornillos de mariposa (14).
2. Monte la guía paralela (19) en la placa de base (9).
3. Ajuste el ancho de corte deseado utilizando la escala de la guía paralela (19) y la marca de corte de la placa de base (21). La marca de corte (21) indica la posición de la hoja de la sierra.
4. Apriete los tornillos de mariposa (14).

**4. FUNCIONAMIENTO**

**Encendido y apagado de la máquina (Fig. A)**

- Para encender la máquina, empuje el interruptor hacia delante y pulse el interruptor de encendido/apagado (1).
- Para apagar la máquina, suelte el interruptor de encendido/apagado (1).

**Ajuste de la velocidad (Fig. A)**

La rueda de ajuste de velocidad (20) se utiliza para ajustar la velocidad. La velocidad ideal depende del perfil y de los dientes de la hoja de sierra, así como del material que va a trabajarse.



*No ajuste la velocidad durante el uso.*

Gire la rueda de ajuste de velocidad (20) a la posición deseada.

- Para materiales duros, utilice una hoja de sierra con dientes finos y seleccione una velocidad inferior.
- Para materiales blandos, utilice una hoja de sierra con dientes gruesos y seleccione una velocidad superior.

**Ajuste del ángulo de bisel (Fig. B, F)**

1. Afloje los tornillos de la placa de base (18) utilizando la llave hexagonal (15).
2. Ajuste la placa de base (9) en la posición deseada (0° - 45°). El ángulo de aserrado (bisel) se puede leer en la escala (7).
3. Apriete el tornillo (7) con la llave hexagonal (15).

**Ajuste del interruptor pendular (Fig. A)**

El interruptor pendular se utiliza para ajustar el modo en que los dientes de la hoja de la sierra agarran el material.

El interruptor pendular se puede ajustar en 4 posiciones:

- 0 - Sin péndulo
- 1 - Péndulo pequeño
- 2 - Péndulo medio
- 3 - Péndulo grande.

La acción pendular requerida puede determinarse mediante pruebas prácticas, pero se pueden seguir las siguientes instrucciones:

- Material blando (madera, plástico, etc.): ajuste el péndulo en el nivel II o III. Para un corte de sierra más fino y neto, utilice un péndulo de nivel 0 o I.
- Material delgado, use el péndulo de nivel 0.
- Material duro (acero, etc.): ajuste el péndulo en el nivel 0.
- Curvas: ajuste el péndulo en el nivel 0.

**Corte de desplome (Fig. H)**

El corte de desplome tan sólo puede utilizarse con materiales suaves como la madera, el hormigón aireado, los paneles de yeso, etc. Sin embargo, exige una determinada práctica y tan sólo es posible con hojas de sierra cortas.

1. Coloque la sierra en la pieza de trabajo y enciéndala.
2. Asegúrese de que el borde inferior de la placa base permanece en la pieza de trabajo tal y como se indica.
3. Corte lentamente la pieza de trabajo en ángulo, moviendo la sierra en posición vertical a lo largo de la línea de corte.
4. Apague la sierra y retírela de la pieza cuando haya acabado el trabajo.

**Extracción de polvo (Fig. E)**

- Inserte el adaptador para la aspiradora (8) en la conexión de extracción de polvo.
- Conecte la manguera de una aspiradora al adaptador para aspiradora (8).

**Nota:** la función de soplado de polvo debe estar desactivada cuando se utiliza la aspiradora.

**Función de soplado de polvo (Fig. I)**

La línea de corte puede mantenerse despejada de astillas y residuos con la función de soplado de polvo.

- Para activar la función de soplado de polvo, mueva el interruptor del soplador de polvo (2) hacia abajo.
- Para desactivar la función de soplado de polvo, mueva el interruptor del soplador de polvo (2) hacia arriba.

**Consejos para un uso óptimo**

- Fije la pieza de trabajo. Utilice un dispositivo de fijación para piezas de trabajo pequeñas.
- Trace una línea para definir la dirección en la que guiar la hoja de sierra.
- Sujete la máquina firmemente por la empuñadura.
- Ajuste la velocidad de serrado.
- Ajuste el ángulo de inglete.
- Ajuste la posición pendular.
- Encienda la máquina.
- Espere hasta que la máquina alcance la máxima velocidad.
- Coloque la base de la sierra sobre la pieza de trabajo.

- Mueva lentamente la máquina por la línea pretrazada, presionando firmemente la base de la sierra contra la pieza de trabajo.
- No aplique demasiada presión sobre la máquina. Deje que la máquina haga el trabajo.
- Apague la máquina y espere que ésta se detenga completamente antes de dejarla.

## 5. MANTENIMIENTO



*Antes de realizar la limpieza y el mantenimiento, apague siempre la máquina y extraiga el paquete de baterías de la máquina.*

Limpie regularmente la carcasa de la máquina con un paño suave, preferentemente después de cada uso. Compruebe que los orificios de ventilación estén libres de polvo y suciedad. Elimine el polvo persistente utilizando un paño suave humedecido con agua y jabón. No use disolventes tales como gasolina, alcohol, amoníaco, etc. Tales productos químicos pueden dañar los componentes sintéticos.

## MEDIO AMBIENTE



*Los aparatos eléctricos o electrónicos defectuosos y/o desechados deben recogerse en lugares de reciclado apropiado.*

### Sólo para países CE

No deseche las herramientas eléctricas con los residuos domésticos. De conformidad con la Directiva Europea 2012/19/EU sobre residuos de aparatos eléctricos y electrónicos y su implementación en el derecho nacional, las herramientas eléctricas que dejen de funcionar deben recogerse por separado y desecharse de forma respetuosa con el medio ambiente.

## CONDICIONES DE GARANTÍA

Los productos VONROC han sido desarrollados con los más altos estándares de calidad y VONROC garantiza que están exentos de defectos relacionados con los materiales y la fabricación durante el periodo legalmente estipulado, a contar desde la fecha de compra original. En caso de que el producto presente defectos relacionados con los materiales y/o la fabricación durante este periodo, póngase directamente en contacto VONROC.

La presente garantía se excluye en los siguientes casos:

- Si centros de servicios no autorizados han realizado o han intentado realizar reparaciones y/o alteraciones a la máquina.
- Si se ha producido un desgaste normal.
- Si la herramienta ha sido mal tratada o usada en modo impropio, o se ha realizado incorrectamente su mantenimiento.
- Si se han utilizado piezas de repuesto no originales.

La presente constituye la única garantía implícita y explícita que ofrece la compañía. No existen otras garantías explícitas o implícitas que excedan las citadas aquí, incluidas las garantías implícitas de comerciabilidad e idoneidad para una finalidad en especial. VONROC no será considerada responsable en ningún caso por daños incidentales o consecuentes. Los recursos a disposición de los distribuidores se limitan a la reparación o a la sustitución de las unidades o piezas no conformes.

**El producto y el manual de usuario están sujetos a variaciones. Las especificaciones pueden variarse sin previo aviso.**

## 1. ISTRUZIONI DI SICUREZZA

Leggere accuratamente gli avvisi di sicurezza, gli avvisi di sicurezza aggiuntivi e le istruzioni. La mancata osservanza degli avvisi di sicurezza e delle istruzioni potrebbe causare scosse elettriche, incendio e/o gravi lesioni. Mantenere gli avvisi di sicurezza e le istruzioni a portata di mano per future consultazioni.

I seguenti simboli sono utilizzati nel presente manuale utente o sul prodotto:



*Leggere il manuale utente.*



*Pericolo di lesioni personali.*



*Velocità elettronica variabile.*



*Indossare occhiali di protezione.  
Indossare protezioni per l'udito.*



*Indossare una maschera antipolvere.*



*Fusibile miniaturizzato a tempo ritardato.*



*Temperatura massima 45° C.*



*Non gettare la batteria nel fuoco.*



*Non gettare la batteria nell'acqua.*



*Raccolta differenziata per la batteria agli ioni di litio.*



*Il prodotto è conforme agli standard pertinenti in materia di sicurezza previsti dalla legislazione Europea.*

### REGOLE GENERALI DI SICUREZZA



**ATTENZIONE! Leggere tutte le avvertenze di sicurezza e tutte le istruzioni.** Se non si seguono tutte le istruzioni sotto elencate, si può incorrere in uno shock elettrico, in un incendio e/o in lesioni serie.

#### Conservare queste istruzioni.

Il termine "arnese elettrico" in tutti gli avvertimenti sotto elencati si riferisce al vostro arnese elettrico che funziona a corrente (con filo) o ad un arnese che funziona a pile (senza filo).

- 1) **Area di lavoro**
  - a) **Mantenere l'area di lavoro pulita e ben illuminata.** Aree buie e disordinate favoriscono gli incidenti.
  - b) **Non usare arnesi elettrici in atmosfere esplosive, come vicino ai liquidi infiammabili, gas o polveri.** Gli arnesi elettrici creano scintille che possono incendiare la polvere dei vapori.
  - c) **Tenere lontani bambini e altre persone mentre si accende l'arnese elettrico.** Le distrazioni possono farvi perdere il controllo.

#### 2) Sicurezza elettrica

- a) **Le spine dell'arnese elettrico devono andare bene per la presa di corrente. Non modificare mai la spina in alcun modo. Non usare alcun adattatore con arnesi elettrici a terra (messo a terra).** Spine non modificate che vanno bene per le prese di corrente ridurranno il rischio di shock elettrico.
- b) **Evitare il contatto corporeo con superfici a terra come tubature, radiatori, fornelli e refrigeratori.** C'è un rischio maggiore di shock elettrico se il vostro corpo è a terra.
- c) **Non esporre arnesi elettrici alla pioggia o a condizioni di umidità.** Se dell'acqua penetra nell'arnese elettrico aumenterà il rischio di shock elettrico.
- d) **Non abusare del filo. Non usare mai il filo per trasportare, spingere o staccare dalla presa l'arnese elettrico. Tenere il filo lontano da calore, olio, bordi taglienti o parti mobili.** Fili danneggiati o aggrovigliati aumentano il rischio di shock elettrico.
- e) **Quando si accende un arnese elettrico all'aperto, usare una prolunga adatta a tale uso.** Usare un filo adatto all'uso all'aperto ridurrà il rischio di shock elettrico.
- f) **Se non è possibile evitare l'uso di un elettrotensile in ambiente umido, usare una rete di alimentazione protetta da un interruttore differenziale (salvavita).** L'uso di un salvavita riduce il rischio di scosse elettriche.

#### 3) Sicurezza personale

- a) **Stare vigili e attento quando si accende un arnese elettrico. Non usare un arnese elettrico mentre si è stanco o sotto l'effetto di droghe, alcool o medicinali.** Un momento di disattenzione mentre si accendono arnesi elettrici può causare delle gravi lesioni personali.
- b) **Usare dispositivi di protezione individuale. Indossare sempre una protezione per gli occhi.**

Dispositivi di sicurezza come mascherina per la polvere, scarpe di sicurezza antiscivolo, casco, o protezioni per le orecchie usate nelle appropriate condizioni, ridurranno le lesioni personali.

- c) **Prevenire l'avvio accidentale. Assicurarsi che l'interruttore sia spento prima di collegarsi.**  
Trasportare elettrotensili tenendo il dito sull'interruttore di accensione o dare corrente ad elettrotensili con l'interruttore acceso può dare luogo a incidenti.
  - d) **Rimuovere ogni chiave regolatrice o chiave per dadi prima di accendere l'arnese elettrico.** Una chiave per dadi o una chiave lasciata attaccata ad una parte rotante dell'arnese elettrico può provocare lesioni personali.
  - e) **Cercare di mantenere l'equilibrio. Mantenere sempre un punto d'appoggio appropriato.**  
Questo consente un controllo migliore dell'arnese elettrico in situazioni inaspettate.
  - f) **Vestirsi adeguatamente. Non indossare vestiti larghi o gioielli. Tenere lontano capelli, vestiti e guanti dalle parti mobili.** Vestiti larghi, gioielli o capelli lunghi possono essere presi nelle parti mobili.
  - g) **Se vengono forniti dispositivi per la connessione dell'estrazione della polvere e attrezzature di raccolta, assicurarsi che questi siano collegati e usati correttamente.** L'uso di questi dispositivi può ridurre i rischi correlati alla polvere.
  - h) **Non lasciare che la confidenza acquisita dall'uso frequente induca l'utilizzatore ad assumere comportamenti imprudenti e a ignorare i principi di sicurezza per l'utensile.** Una semplice distrazione può provocare gravi lesioni personali in una frazione di secondo.
- 4) Uso e manutenzione dell'arnese elettrico**
- a) **Non forzare l'arnese elettrico. Usare l'arnese elettrico corretto per il vostro impiego.** L'arnese elettrico corretto farà il lavoro meglio e in maniera più sicura alla velocità per la quale è stato progettato.
  - b) **Non usare l'arnese elettrico se l'interruttore non si accende o non si spegne.** Ogni arnese elettrico che non può essere controllato con l'interruttore è pericoloso e deve essere riparato.
  - c) **Scollegare la spina dalla sorgente di elettricità prima di fare qualsiasi regolazione, cambiare gli accessori, o conservare arnesi elettrici.** Tali misure di sicurezza preventive riducono il rischio di accendere l'arnese elettrico accidentalmente.
  - d) **Conservare gli arnesi elettrici inattivi fuori dalla**

**portata dei bambini e non permettere a persone che non hanno confidenza con l'arnese elettrico o con queste istruzioni di usare l'arnese elettrico.** Gli arnesi elettrici sono pericolosi per utenti inesperti.

- e) **Mantenere gli arnesi elettrici. Controllare il non allineamento o l'attacco di parti mobili, la rottura di parti ed ogni altra condizione che può influire sul funzionamento degli arnesi elettrici. Se è danneggiato, far riparare l'arnese elettrico prima dell'uso.** Molti incidenti sono causati da arnesi elettrici mantenuti male.
  - f) **Mantenere gli arnesi da taglio affilati e puliti.** È meno probabile che si attacchino degli arnesi da taglio mantenuti correttamente con tagli affilate e questi sono anche più facili da controllare.
  - g) **Usare l'arnese elettrico, gli accessori e le parti dell'arnese ecc, secondo queste istruzioni e nel modo pensato per il particolare tipo di arnese elettrico, tenendo conto delle condizioni di lavoro e del lavoro da svolgere.** L'uso dell'arnese elettrico per operazioni diverse da quelle pensate potrebbe causare situazioni pericolose.
  - h) **Mantenere le impugnature e le superfici di presa asciutte, pulite e libere da olio e grasso.** Impugnature e superfici di presa scivolose non consentono di maneggiare e controllare in sicurezza l'utensile in situazioni imprevedute.
- 5) Uso e manutenzione dell'utensile a batteria**
- a) **Ricaricare l'apparecchio esclusivamente con il caricabatterie specificato dal fabbricante.** Se si utilizza un caricabatterie di diverso tipo potrebbero verificarsi incendi.
  - b) **Utilizzare gli utensili elettrici solo con i pacchi batterie appositamente prescritti.** L'uso di pacchi batterie di diverso tipo aumenta il rischio di infortunio o incendio.
  - c) **Quando il pacco batterie non è in uso, tenerlo lontano da oggetti metallici quali fermagli, monete, chiavi, chiodi, viti o altri piccoli oggetti metallici che potrebbero mettere in collegamento i due poli.** Se i poli vengono messi in corto circuito, la batteria potrebbe emettere scintille o fiammate.
  - d) **In condizioni di uso scorretto, la batteria potrebbe emettere liquido: evitare pertanto di entrarvi in contatto. In caso di contatto accidentale, risciacquare con acqua. Se il liquido entra a contatto con gli occhi, consultare immediatamente un medico.** Il liquido emesso dalla batteria può causare irritazioni o ustioni.
  - e) **Non utilizzare un pacco batterie o l'utensile se danneggiati o manomessi.** Pacchi batterie

danneggiati o manomessi potrebbero avere comportamenti imprevedibili con il rischio di incendiarsi, esplodere o provocare lesioni a persone.

- f) **Non esporre un pacco batterie o l'utensile alle fiamme o a temperature eccessivamente elevate.** L'esposizione alle fiamme o a temperature superiori a 130 °C potrebbe provocare un'esplosione. NOTA: la temperatura di "130 °C" corrisponde a "265 °F".
- g) **Seguire tutte le istruzioni per la ricarica e non caricare il pacco batterie o l'utensile a temperature che non rientrino nell'intervallo specificato nelle istruzioni.** Se si effettua la ricarica in modo improprio o a temperature non comprese nell'intervallo specificato, il pacco batterie potrebbe subire danni e potrebbe aumentare il rischio di incendi.

## 6) Riparazione

- a) **L'assistenza per l'elettrostrumento deve essere prestata da un tecnico qualificato che utilizzi soltanto ricambi originali.** In questo modo viene garantita la sicurezza dell'elettrostrumento.
- b) **Non tentare di riparare pacchi batterie danneggiati.** La riparazione dei pacchi batteria deve essere effettuata esclusivamente dal produttore o presso centri di assistenza autorizzati.

## AVVERTENZE DI SICUREZZA PER I SEGNETTI ALTERNATIVI

- **Quando si eseguono operazioni in cui l'accessorio da taglio potrebbe entrare in contatto con fili elettrici nascosti, tenerlo esclusivamente dalle superfici di presa isolate.** Gli accessori da taglio che vengono a contatto con un cavo sotto tensione trasmettono la corrente elettrica anche alle parti metalliche esposte dell'elettrostrumento, con il pericolo di provocare la folgorazione dell'operatore.
- **Tenere le mani lontane dalla zona di taglio.** Non sporgersi sotto il pezzo in lavorazione. Il contatto con la lama del seghetto può provocare lesioni personali.
- **Appoggiare la lama sul pezzo in lavorazione solo una volta acceso l'elettrostrumento.** In caso contrario sussiste il pericolo di contraccolpo, se l'utensile da taglio si dovesse inceppare nel pezzo in lavorazione.
- **Prestare attenzione a che la piastra di base poggi saldamente sul materiale durante l'esecuzione del taglio.** Se la lama si inceppa può rompersi o provocare un contraccolpo.

- **Una volta terminata l'esecuzione del taglio, spegnere l'elettrostrumento e, prima di estrarre la lama dal taglio eseguito, attendere che si sia arrestata completamente.** In questo modo è possibile evitare contraccolpi e appoggiare la macchina in sicurezza.
- **Usare esclusivamente lame integre, in perfette condizioni.** Lame deformate o non affilate possono rompersi, influenzare negativamente il taglio oppure causare un contraccolpo.
- **Dopo aver spento l'elettrostrumento, non cercare di arrestare la lama esercitando una pressione laterale.** La lama può danneggiarsi, rompersi o provocare un contraccolpo.
- **Utilizzare rilevatori appropriati per stabilire se nell'area di lavoro sono presenti fili elettrici o tubature nascoste oppure telefonare all'azienda di erogazione locale per richiedere assistenza.** Un contatto accidentale con un filo elettrico può provocare un incendio e una scossa elettrica. Una tubatura del gas danneggiata può causare un'esplosione. La perforazione di una tubatura dell'acqua provoca danni materiali.
- **Fissare il pezzo in lavorazione.** Un pezzo bloccato con dispositivi di bloccaggio o in una morsa viene tenuto fermo più saldamente che con le mani.
- **Attendere sempre che l'elettrostrumento si sia arrestato completamente prima di appoggiarlo.** L'utensile accessorio può incepparsi e portare alla perdita di controllo dell'elettrostrumento.
- **Usare i morsetti o un altro mezzo pratico per fissare e puntellare il pezzo in lavorazione su una piattaforma stabile.** Reggendo il pezzo in lavorazione in mano o premendolo contro il proprio corpo, esso rimane instabile e potrebbe verificarsi una perdita di controllo.

## AVVERTENZE DI SICUREZZA PER LA BATTERIA

- a) **Non aprire la batteria.** Pericolo di cortocircuito.
- b) **Proteggere la batteria dal calore, ad esempio dalla luce solare intensa, dal fuoco, dall'acqua e dall'umidità.** Pericolo di esplosione.
- c) **In caso di danni e uso improprio della batteria, potrebbero essere emessi dei vapori. Ventilare l'area e rivolgersi a un medico in caso di malessere.** I vapori possono irritare il sistema respiratorio.
- d) **Utilizzare la batteria solo in combinazione con il prodotto Vonroc.** Questo accorgimento protegge la batteria da un sovraccarico pericoloso.
- e) **La batteria può essere danneggiata da oggetti appuntiti come chiodi o cacciaviti o da una**

**forza applicata esternamente.** Si può verificare un cortocircuito interno e la batteria potrebbe bruciare, fumare, esplodere o surriscaldarsi.

## AVVERTENZE DI SICUREZZA PER IL CARICA-BATTERIE

### Uso previsto

Caricare solo pacchi batteria ricaricabili di tipo CD801AA e CD803AA con il caricabatterie. Batterie di tipi diversi potrebbero esplodere provocando lesioni personali e danni.

- a) **L'apparecchio non deve essere usato da persone con capacità fisiche, sensoriali o mentali ridotte (bambini inclusi) o che non hanno alcuna esperienza o conoscenza dell'apparecchio, a meno che non siano sorvegliate o siano state istruite sull'uso del prodotto.**
- b) **Accertarsi che i bambini non giochino con il caricabatterie.**
- c) **Non ricaricare batterie non ricaricabili!**
- d) **Durante la carica le batterie devono rimanere inserite nell'area adeguatamente ventilata!**

## 2. INFORMAZIONI RELATIVE ALL'ELETTROUTENSILE

### Uso previsto

Questo elettrotensile è destinato all'esecuzione di tagli di qualsiasi dimensione e forma in legno, materie plastiche, ceramica, gomma, ecc., mantenendo la piastra di base saldamente appoggiata sul pezzo in lavorazione. Usare sempre una lama idonea.

### DATI TECNICI



*Il presente manuale è stato predisposto per diversi assortimenti / codici articolo. Verificare il codice articolo corrispondente nella tabella di specificazione sottostante per la composizione e i contenuti corretti per il proprio assortimento.*

Numero modello	Batterie incluse	Caricabatterie incluso
<b>JS504DC</b>	-	-
<b>S_JS504DC</b>	CD801AA	CD802AA
<b>S2_JS504DC</b>	2 x CD801AA	CD802AA
<b>S3_JS504DC</b>	CD803AA	CD802AA
<b>S4_JS504DC</b>	CD801AA	CD802AA

### Informazioni relative all'elettrotensile

Tensione di corrente	20V
Velocità in assenza di carico	1000-2300/min
Corsa della sega	17,5mm
Max. capacità di segatura legno 0°	65mm
Max. capacità di segatura acciaio 0°	8mm
Peso	1,40 kg
Livello pressione sonora LPA	86,0 dB(A), K=5dB(A)
Livello di potenza sonora LWA	97,0 dB(A), K=5dB(A)
Vibrazioni "Segatura di lamiera"	6,537 m/s <sup>2</sup> K=1,5 m/s <sup>2</sup>
Vibrazioni 'Segare compensato'	7,317 m/s <sup>2</sup> K=1,5 m/s <sup>2</sup>

Numero modello	CD801AA
Tipo di batteria	Ioni di litio
Tensione	20V
Capacità	2,0 Ah
Caricabatterie consigliato	CD802AA
Peso	0,3 kg

Numero modello	CD802AA
Ingresso del caricabatterie	220-240V,50Hz 0,4A
Uscita del caricabatterie	21V
Tempo di ricarica batteria 2Ah	60 minuti
Tempo di ricarica batteria 4Ah	120 minuti
Batterie consigliate	CD801AA, CD803AA
Peso	0,36 kg

Modelo n.º	CD803AA
Tipo di batteria	Ioni di litio
Tensione	20V
Capacità	4,0, Ah
Caricabatterie consigliato	CD802AA
Peso	0,65 kg

Utilizzare esclusivamente le batterie seguenti della piattaforma di batterie da 20 V VONROC POWER. L'uso di batterie diverse potrebbe causare gravi lesioni personali o danni all'elettrotensile.

Batteria agli ioni di litio da 20 V 2 Ah, CD801AA  
 Batteria agli ioni di litio da 20 V 4 Ah, CD803AA

Il caricabatterie seguente può essere usato per caricare queste batterie.  
 Caricabatterie rapido CD802AA

Le batterie della piattaforma di batterie da 20 V VONROC POWER sono intercambiabili con tutti gli elettroutensili con batterie della piattaforma da 20 V VONROC POWER.

### Livello delle vibrazioni

Il livello di emissione delle vibrazioni indicato sul retro di questo manuale di istruzioni è stato misurato in conformità a un test standardizzato stabilito dalla norma EN 62841; questo valore può essere utilizzato per mettere a confronto un l'utensile con un altro o come valutazione preliminare di esposizione alla vibrazione quando si impiega l'utensile per le applicazioni menzionate.

- se si utilizza l'utensile per applicazioni diverse, oppure con accessori differenti o in scarse condizioni, il livello di esposizione potrebbe aumentare notevolmente
- i momenti in cui l'utensile è spento oppure è in funzione ma non viene effettivamente utilizzato per il lavoro, possono contribuire a ridurre il livello di esposizione

Proteggersi dagli effetti della vibrazione effettuando la manutenzione dell'utensile e dei relativi accessori, mantenendo le mani calde e organizzando i metodi di lavoro.

### DESCRIZIONE

I numeri che compaiono nel testo si riferiscono agli schemi riportati alle pagine 2-4.

1. Interruttore On/Off
2. Interruttore del dispositivo di soffiaggio polveri
3. Impugnatura principale
4. Pulsante di sblocco batteria
5. Batteria
6. Interruttore del movimento pendolare
7. Scala per angolo di inclinazione
8. Adattatore aspirapolvere
9. Piedino
10. Rullo guida
11. Impugnatura ausiliaria
12. Paralama

13. Leva di bloccaggio
14. Bulloni ad alette per guida parallela
15. Chiave a brugola
16. Mandrino
17. Lama della sega
18. Bullone piastra di base
19. Guida parallela
20. Selettore di regolazione della velocità
21. Marcatura di taglio
22. Coperchio della piastra di base
23. Pulsante per spie a LED batteria
24. Spie a LED batteria
25. Caricabatterie
26. Indicatori a LED caricabatterie

## 3. MONTAGGIO



*Prima di compiere qualsiasi intervento sull'elettroutensile rimuovere la batteria.*



*Prima del primo utilizzo la batteria deve essere caricata.*

### Inserimento della batteria nell'elettroutensile (Fig. A, G)



*Assicurarsi che la batteria sia pulita esternamente prima di collegarla al caricabatterie o all'elettroutensile.*

1. Inserire la batteria (5) nella base dell'elettroutensile, come illustrato nella Figura G.
2. Spingere in avanti la batteria finché scatta in posizione con un clic.

### Rimozione della batteria dall'elettroutensile (Fig. A, G)

1. Premere i pulsanti di sblocco della batteria (4)
2. Estrarre la batteria dall'elettroutensile, come illustrato nella Fig. G.

### Verifica dello stato di carica della batteria (Fig. J)

- Per verificare lo stato di carica della batteria, premere brevemente il pulsante (23) sulla batteria.
- La batteria presenta 3 spie che indicano il livello di carica: più spie sono accese più la batteria è carica.
- Se le spie non sono illuminate di rosso, significa che la batteria è completamente scarica e deve essere ricaricata immediatamente.



### Carica della batteria con il caricabatterie (Fig. J)

1. Rimuovere la batteria (5) dalla macchina.
2. Capovolgere la batteria (5) e inserirla nel caricabatterie (25), come illustrato nella Fig. J.
3. Spingere la batteria finché si incastra nell'apposito alloggiamento.
4. Collegare la spina del caricabatterie a una presa elettrica e attendere un momento. Gli indicatori a LED sul caricabatterie (26) si illuminano e mostrano lo stato di carica della batteria.

### Sul caricabatterie sono presenti 2 indicatori a LED (26) che mostrano lo stato del processo di carica:

Stato LED rosso	Stato LED verde	Stato del caricabatterie
Spento	Spento	Nessuna alimentazione
Spento	Acceso stabile	Modalità standby: - Nessuna batteria inserita oppure, - Batteria inserita ma la ricarica è terminata
Acceso stabile	Spento	Carica della batteria in corso

- Per caricare completamente la batteria da 2Ah possono essere necessari fino a 60 minuti.
- Per caricare completamente la batteria da 4Ah possono essere necessari fino a 120 minuti.



*Una volta caricata la batteria, rimuovere la spina del caricabatterie dalla presa di corrente e rimuovere la batteria dal caricabatterie.*

### Sostituzione della lama (Fig. A e C)



*Per installare la lama indossare guanti di protezione. Pericolo di lesioni personali in caso di contatto con la lama della sega.*



*Utilizzare esclusivamente lame che corrispondano alle caratteristiche riportate nelle istruzioni per l'uso.*

### Installazione della lama



*Assicurarsi che il portalama sia libero da residui di materiale (come schegge di legno o di metallo).*

1. Ruotare la leva di bloccaggio lama (13) il più possibile verso sinistra e mantenerla in quella posizione.
2. Inserire la lama nel mandrino (16). Verificare che la lama sia fissata saldamente e che i denti siano rivolti verso il basso.
3. Lasciare la leva di bloccaggio lama. Controllare che la lama sia bloccata in posizione.

Assicurarsi di utilizzare la lama idonea per il materiale da tagliare. In dotazione con la sega viene fornita una lama da legno per tagli grossolani e una lama da metalli e materiali plastici per tagli fini.

### Rimozione della lama

1. Ruotare la leva di bloccaggio lama (13) il più possibile verso sinistra e mantenerla in quella posizione.
2. Rimuovere la lama dal mandrino (16). Lasciare la leva di bloccaggio lama.

### Fissaggio della guida parallela (Fig. C)

1. Allentare i bulloni ad alette (14).
2. Fissare la guida parallela (19) sulla piastra di base (9).
3. Regolare la profondità di tagli desiderata utilizzando la scala sulla guida parallela (19) e la marcatura di taglio sulla piastra di base (21). La marcatura di taglio (21) indica la posizione della lama.
4. Serrare i bulloni ad alette (14).

## 4. FUNZIONAMENTO

### Accensione e spegnimento dell'elettro utensile (Fig. A)

- Per accendere l'elettro utensile, premere l'interruttore in avanti e premere l'interruttore di accensione/spegnimento (1).
- Per spegnere l'elettro utensile, rilasciare l'interruttore di accensione/spegnimento (1).

### Impostazione della velocità (Fig. A)

Il selettore di regolazione della velocità (20) consente di impostare la velocità. La velocità ideale dipende dal profilo e dal tipo di denti della lama della sega e dal materiale da lavorare.



*Non impostare la velocità durante l'uso.*

Ruotare il selettore di regolazione della velocità (20) nella posizione desiderata.

- Per segare materiali duri, utilizzare una lama della sega a denti fini e selezionare la velocità più bassa.
- Per segare materiali teneri, utilizzare una lama della sega a denti grossi e selezionare la velocità più alta.

#### **Regolazione dell'angolo di taglio inclinato (Fig. B e F)**

1. Allentare il bullone (18) con la chiave a brugola (15) in dotazione.
2. Regolare la piastra di base (9) nella posizione desiderata (0°- 45°). Il corrispondente angolo di taglio inclinato può essere letto sulla scala (7).
3. Serrare il bullone (18) con la chiave a brugola (15) in dotazione.

#### **Regolazione del movimento pendolare (Fig. A)**

L'interruttore del movimento pendolare viene usato per stabilire il modo in cui i denti della lama fanno presa sul materiale.

Il selettore del movimento pendolare può essere regolato in 4 posizioni:

- 0 - Nessun movimento pendolare
- 1 - Movimento pendolare ridotto
- 2 - Movimento pendolare medio
- 3 - Movimento pendolare elevato

Il movimento pendolare richiesto può essere stabilito con una prova pratica, tuttavia è possibile attenersi alle indicazioni seguenti:

- Materiale morbido (legno, materiale plastico, ecc.): utilizzare il movimento pendolare al livello II o III. Per ottenere un taglio più fine e più pulito utilizzare il movimento pendolare al livello 0 o I.
- Materiale di spessore ridotto: utilizzare il movimento pendolare al livello 0.
- Materiale duro (acciaio, ecc.): utilizzare il movimento pendolare al livello 0.
- Curve: utilizzare il movimento pendolare al livello 0.

#### **Taglio a tuffo (Fig. H)**

Il taglio a tuffo può essere utilizzato solo su materiali morbidi come legno, calcestruzzo aerato, cartoni in pietra da gesso, ecc. Tuttavia, questo richiede un certo esercizio ed è possibile solamente con lame di sega corte.

1. Posizionare la sega sul pezzo da lavorare e accenderla.

2. Assicurarsi che l'estremità inferiore della piastra di base sia appoggiata sulla superficie del pezzo da lavorare come indicato.
3. Segare lentamente il pezzo da lavorare ad un'angolazione, spostando la sega in posizione verticale e continuando a segare lungo la linea di taglio.
4. Spegnerla la sega e sollevare il pezzo da lavorare quando il lavoro è completato.

#### **Aspirazione delle polveri (Fig. E)**

- Inserire l'adattatore per aspirapolvere (8) nella presa per l'aspirazione delle polveri.
- Collegare il tubo flessibile di un aspirapolvere all'adattatore per aspirapolvere (8).

**Nota:** la funzione di soffiaggio delle polveri deve essere disattivata se si utilizza un aspirapolvere.

#### **Funzione di soffiaggio delle polveri (Fig. I)**

La linea di taglio può essere mantenuta libera da trucioli e detriti utilizzando la funzione di soffiaggio delle polveri.

- Per attivare la funzione di soffiaggio delle polveri spostare verso il basso l'interruttore del dispositivo di soffiaggio polveri (2).
- Per disattivare tale funzione, spostare l'interruttore del dispositivo di soffiaggio polveri (2) verso l'alto.

#### **Suggerimenti per un uso ottimale**

- Bloccare il pezzo in lavorazione. Utilizzare un dispositivo di bloccaggio per eseguire tagli su piccoli pezzi.
- Tracciare una linea per definire la direzione in cui muovere la lama.
- Tenere saldamente l'elettrotensile mediante l'impugnatura.
- Impostare la velocità di segatura.
- Impostare l'angolo di quartabuono.
- Impostare la posizione pendolare.
- Accendere l'elettrotensile.
- Attendere finché l'elettrotensile non ha raggiunto la massima velocità.
- Posizionare la scarpa della sega sul pezzo in lavorazione.
- Muovere lentamente l'elettrotensile lungo la linea tracciata precedentemente, premendo saldamente la scarpa della sega contro il pezzo in lavorazione.
- Non esercitare una pressione eccessiva sul-

l'elettrotensile. Lasciare che l'elettrotensile effettui il lavoro di taglio.

- Prima di appoggiare l'elettrotensile, spegnerlo e attendere che si arresti completamente.

- Normale usura.
- L'utensile è stato abusato, utilizzato o manutenu-  
to in modo improprio.
- Sono state utilizzate parti di ricambio non originali

## 5. MANUTENZIONE



*Prima di eseguire qualsiasi operazione di pulizia e intervento di manutenzione spegnere sempre l'elettrotensile e rimuovere la batteria dall'elettrotensile.*

Pulire regolarmente il corpo dell'elettrotensile con un panno morbido, preferibilmente dopo ogni uso. Assicursi che le prese d'aria siano libere da polvere e sporizia. Rimuovere lo sporco particolarmente ostinato con un panno morbido inumidito con acqua e sapone. Non utilizzare solventi come benzina, alcol, ammoniaca, ecc. Le sostanze chimiche di questo tipo danneggiano i componenti sintetici.

Ciò costituisce l'unica garanzia espressa o implicita fornita dall'azienda. Non esistono altre garanzie espresse o implicite che si estendono oltre il presente documento, ivi comprese le garanzie implicite di commerciabilità e idoneità per uno scopo particolare. In nessun caso VONROC sarà responsabile di eventuali danni incidentali o consequenziali. I rimedi dei rivenditori saranno limitati alla riparazione o sostituzione di unità o parti non conformi.

**Il prodotto e il manuale per l'utente sono soggetti a modifiche. I dati tecnici possono essere modificati senza ulteriore notifica.**

## AMBIENTE



*Le apparecchiature elettriche o elettroniche difettose e/o scartate devono essere raccolte presso gli opportuni siti di riciclaggio.*

### Solo per i Paesi CE

Non smaltire gli elettrotensili insieme ai rifiuti domestici. Secondo la Direttiva europea 2012/19/ EC sui rifiuti delle apparecchiature elettriche ed elettroniche e relativa implementazione nelle normative locali, gli elettrotensili ormai inutilizzabili devono essere raccolti separatamente e smaltiti in modo ecologico.

## DEFINIZIONI DELLA GARANZIA

I prodotti VONROC sono sviluppati secondo i più elevati standard di qualità e viene garantita l'assenza di difetti nei materiali e nella manodopera per il periodo contrattuale a partire dalla data di acquisto originale. Qualora il prodotto dovesse subire un guasto qualsiasi durante questo periodo a causa di difetti nei materiali e/o nella manodopera, si prega di contattare direttamente il VONROC.

Le seguenti circostanze sono escluse da questa garanzia:

- Riparazioni e/o modifiche alla macchina sono state eseguite o tentate da centri di assistenza non autorizzati.

## 1. SÄKERHETSFÖRESKRIFTER

Läs de medföljande säkerhetsvarningarna, de tillkommande säkerhetsvarningarna och anvisningarna. Om inte säkerhetsvarningarna och anvisningarna följs kan detta orsaka elstötar, brand och/eller allvarliga kroppsskador. Behåll säkerhetsvarningarna och anvisningarna för framtida bruk.

Följande symboler används i bruksanvisningen eller på produkten:



Läs igenom bruksanvisningen.



Anger risk för personskada, dödsfall eller skada på verktyget om anvisningarna i denna handbok inte följs.



Variabla elektroniska varvtal.



Använd skyddsglasögon.  
Använd hörselskydd.



Använd skyddsmask.



Länk till tidsfördröjd miniatyrsäkring.



Maxtemperatur 45 °C.



Kasta inte batteriet i eld.



Kasta inte batteriet i vatten.



Separat återvinning av litiumjonbatteriet.



Produkten är i överensstämmelse med tillämpliga säkerhetsstandarder i EU-direktiven.

### ALLMÄNNA SÄKERHETSFORSKRIFTER



**Varning! Läs alla säkerhetsvarningar och alla anvisningar.** Om inte alla instruktioner som anges nedan efterföljs kan detta leda till el-stötar, eldsvåda och/eller allvarliga skada.

#### Spara dessa instruktioner.

Termen "elektriskt redskap" i varningarna som anges nedan hänvisar till elektriska verktyg (med sladd, anslutet till el-nätet) eller batteridrivna (sladdlösa) elektriska verktyg.

- 1) **Arbetsutrymme**
  - a) **Se till att arbetsutrymmet är städad och väl upplyst.** Stökiga och mörka utrymmen ger anledning till olyckor.
  - b) **Använd inte elektriska verktyg i explosiv luft, såsom i närheten av lättantändliga vätskor, gaser eller damm.** Elektriska verktyg åstadkommer gnistor som kan sätta eld på damm eller gas.
  - c) **Håll barn och obehöriga på avstånd när du använder ett elektriskt verktyg.** Om du blir distraherad kan du tappa kontrollen över verktyget.
- 2) **El-säkerhet**
  - a) **Stickkontakten till elektriska verktyg måste passa el-uttaget. Ändra aldrig på något sätt på stickkontakten. Använd inte adapterkontakter till jordade elektriska verktyg.** Oförändrade stickkontakter och passande uttag minskar risken för el-stötar.
  - b) **Undvik kroppskontakt med jordade ytor såsom rör, element, spisar och kylskåp.** Risken för el-stötar är större om din kropp är jordad.
  - c) **Låt inte elektriska verktyg utsättas för regn eller våta förhållanden.** Om det kommer in vatten i ett elektriskt verktyg ökar risken för el-stötar.
  - d) **Skada inte kabeln. Använd aldrig kabeln för att bära eller dra det elektriska verktyget eller för att dra ut stickkontakten. Håll sladden borta från höga temperaturer, olja, vassa kanter eller rörliga delar.** Skadade eller hoptrasslade kablar ökar risken för el-stötar.
  - e) **När du använder ett elektriskt verktyg utomhus måste förlängningskabeln vara lämplig för utomhusbruk.** Om man använder en förlängningskabel för utomhusbruk minskar risken för el-stötar.
  - f) **Använd jordfelskydd (RCD) om arbete med ett elverktyg i fuktig miljö är oundvikligt.** Användning av RCD minskar risken för elstötar.

### 3) Personlig säkerhet

- a) **Var uppmärksam, titta på det du håller på med och använd sunt förnuft när du arbetar med ett elektriskt verktyg. Använd inte elektriska verktyg när du är trött eller står under inflytande av droger, alkohol eller mediciner.** Ett ögonblick ouppmärksamhet vid användandet av elektriska verktyg kan leda till allvarliga personskador.
- b) **Använd personlig skyddsutrustning. Bär alltid skyddsglasögon.** Säkerhetsutrustning såsom skyddsmasker, skor med anti-halksula, hjälm eller hörselskydd som används vid rätt omstän-

digheter kommer att minska personskador.

- c) **Förhindra oavsiktlig igångsättning. Se till att strömbrytaren är avslagen innan du sätter stickkontakten i eluttaget.** Om du bär elverktyg med fingret på brytaren eller strömsätter elverktyg vars brytare är aktiverad kan du råka ut för en olycka.
  - d) **Ta bort skiftnycklar och skruvnycklar innan ett elektriskt verktyg slås på.** En skift- eller skruvnyckel som lämnas kvar fastsatt vid det elektriska verktygets roterande delar kan leda till personskada.
  - e) **Sträck dig inte för långt. Se till att du alltid står stadigt och i balans.** På så sätt har du bättre kontroll över det elektriska verktyget i oväntade situationer.
  - f) **Klä dig rätt. Bär inte löst sittande kläder eller smycken. Håll håret, kläder och handskar borta från rörliga delar.** Löst sittande kläder, smycken eller långt hår kan fastna i de rörliga delarna.
  - g) **Om apparater för uppsugning och uppsamling av damm finns tillgängliga, se till att de ansluts och används korrekt.** Om sådana apparater används kan dammrelaterade faror minskas.
  - h) **Låt inte erfarenheten som uppnås vid frekvent användning av verktyg låta dig bli för självsäker och ignorera verktygs säkerhetsprinciperna.** En oförsiktig handling kan orsaka allvarliga skador under bråkdelen av en sekund.
- 4) Underhåll av elektriska verktyg**
- a) **Överbelasta inte ett elektriskt verktyg. Använd rätt sorts verktyg till det arbete du vill utföra.** Rätt sorts elektriskt verktyg gör arbetet bättre och säkrare i den hastighet det var designat för.
  - b) **Använd inte verktyget om strömbrytaren är trasig.** Om ett elektriskt verktyg inte kan kontrolleras med hjälp av en strömbrytare är det farligt och måste lagas.
  - c) **Koppla loss stickkontakten från verktyget innan du utför några justeringar, byter tillbehör eller förvarar det.** Med dessa preventiva säkerhetsåtgärder minskas risken för att det elektriska verktyget går på av misstag.
  - d) **Förvara elektriska verktyg som inte är i bruk utom räckhåll för barn och låt inte personer som inte känner till verktyget eller dessa instruktioner använda det.** Elektriska verktyg är farliga i händerna på oerfarna användare.
  - e) **Underhåll elektriska verktyg. Kontrollera att alla rörliga delar är i rät linje och fastsatta, att inga delar är trasiga och att de är korrekt**

**monterade. Kontrollera även annat som kan påverka verktygets funktion. Om det elektriska verktyget är trasigt måste det repareras innan det tas i bruk.** Många olyckor förorsakas av dåligt underhållna elektriska verktyg.

- f) **Håll alltid sågande och skärande verktyg vassa och rena.** Sågande och skärande verktyg med vassa egggar/skär fastnar inte så lätt och är enklare att hålla kontroll över.
  - g) **Använd det elektriska verktyget, dess tillbehör, borrarande eller skärande delar etc. enligt dessa instruktioner och på det sätt som det är avsett för. Ta med förutsättningarna och det arbete som ska utföras i beräkningarna.** Att använda ett elektriskt verktyg för andra arbeten än det är avsett för kan resultera i farliga situationer.
  - h) **Se till att handtagen är torra, rena och fria från olja och fett.** Hala handtag och grepppytor tillåter inte säker hantering och kontroll av verktyget i oväntade situationer.
- 5) Användning och skötsel av batteri och laddare**
- a) **Använd endast den laddare som anges av tillverkaren.** En laddare som passar en typ av batteri kan orsaka brand om den används för ett annat batteri.
  - b) **Använd endast elverktyget med ett batteripack som är avsett för verktyget.** Användning av andra batteripack kan medföra risk för skador och brand.
  - c) **När du inte använder batteriet ska det förvaras så att inga små metallföremål som t.ex. gem, mynt, spikar, skruvar osv. kan kortslua kontaktarna på batteriet.** Kortslutning av batterikonkakterna kan orsaka brännskador eller brand.
  - d) **Under extrema förhållanden kan vätska läcka ut från batteriet; undvik kontakt. Skölj med vatten vid kontakt med kroppsdelar. Uppsök genast en läkare om du får vätska i ögonen.** Vätska från batteriet kan orsaka irritation eller frätskador.
  - e) **Använd inte batterier eller verktyg som är skadade eller modifierade.** Skadade eller modifierade batterier kan uppvisa oförutsägbart beteende som kan leda till brand, explosion eller risk för skada.
  - f) **Utsätt inte batteri eller verktyg för eld eller överdriven temperatur.** Exponering för brand eller temperatur över 130 °C kan orsaka explosion. OBS! Temperaturen "130 °C" kan ersättas med temperaturen "265 °F".
  - g) **Följ alla laddningsanvisningar och ladda inte**

**batteriet eller verktyget utanför det temperaturområde som anges i instruktionerna.** Om du laddar batteriet felaktigt eller vid temperaturer utanför det angivna området kan det skada batteriet och öka risken för brand.

## 6) Service

- a) **Låt ditt elverktyg servas av en kvalificerad reparatör och enbart med originalreservdelar.** Detta säkerställer att elverktygets säkerhet upprätthålls.
- b) **Utför aldrig service på skadade batterier.** Service av batteri ska endast utföras av tillverkaren eller auktoriserade serviceleverantörer.

## SÄKERHETSVARNINGAR FÖR TICKSÅGAR

- **Håll elverktyget i de isolerade greppytorna när du utför arbete där kaptillbehör kan komma i kontakt med dolda ledningar.** Kaptillbehör som kommer i kontakt med en strömförande ledning kan göra att exponerade metalldelar hos elverktyget blir strömförande och kan ge användaren en elstöt.
- **Håll händerna borta från sågområdet. Sträck dig inte in under arbetsstycket.** Kontakt med sågbladet kan leda till personskador.
- **Applicera maskinen på arbetsstycket endast när den är påslagen.** Annars finns det risk för kast när kapverktyget fastnar i arbetsstycket.
- **Var uppmärksam på att bottenplattan vilar säkert på materialet under sågningen.** Ett fastnat sågblad kan gå sönder eller leda till kast.
- **När kapningen är klar, stäng av maskinen och dra sedan sågbladet ur snittet först när den har stannat.** På det här sättet kan du undvika kast och placera maskinen säkert.
- **Använd endast oskadade sågblad som är i perfekt skick.** Böjda eller slöa sågblad kan gå sönder, påverka snittet negativt eller leda till kast.
- **Bromsa inte sågbladet genom att applicera sidotryck efter avstängning.** Sågbladet kan skadas, gå sönder eller orsaka kast.
- **Använd lämpliga detektorer för att avgöra om det finns dolda ledningar inom arbetsområdet eller ring lokalt elbolag för hjälp.** Kontakt med elektriska ledningar kan leda till brand och elektrisk stöt. Skador på en gasledning kan leda till explosion. Penetrering av en vattenledning kan orsaka egendomsskador.
- **Säkra arbetsstycket.** Ett arbetsstycke som klämts fast med fastklämningsenheter eller i ett

skruvstäd hålls säkrare än det görs för hand.

- **Vänta alltid till maskinen stannat helt innan den läggs ned.** Verktygets insats kan fastna och leda till att kontrollen förloras över verktyget.
- **Använd klämmor eller något annat praktiskt sätt att stödja arbetsstycket vid ett stabilt underlag.** Att hålla arbetsstycket för hand eller mot kroppen är instabilt och kan göra att du förlorar kontrollen.

## SÄKERHETSVARNINGAR FÖR BATTERI

- a) **Öppna inte batteriet.** Risk för kortslutning.
- b) **Skydda batteriet mot hetta, t.ex. mot kontinuerlig intensiv solstrålning, brand, vatten och fukt.** Risk för explosion.
- c) **Vid skada och felaktig användning av batteriet kan ångor läcka ut. Ventilera området och sök medicinsk hjälp vid besvär.** Ångorna kan irritera andningssystemet.
- d) **Använd endast batteriet i kombination med din Vonroc industriprodukt.** Denna åtgärd ensamt skyddar batteriet mot farlig överbelastning.
- e) **Batteriet kan skadas av vassa föremål såsom spikar eller skruvmejslar eller externa krafter.** En intern kortslutning kan uppstå och batteriet kan brinna, avge rök, explodera eller överhettas.

## FÖR LADDAREN

### Avsedd användning

Ladda endast CD801AA och CD803AA typ av laddningsbara batterier Batteripaket med laddaren. Andra typer av batterier kan explodera och orsaka personskada och skada.

- a) **Apparaten får inte användas av personer (inklusive barn) med nedsatt fysisk eller mental förmåga eller brist på erfarenhet och kunskap, såvida de inte övervakas eller instrueras.**
- b) **Barn som övervakas får inte leka med apparaten.**
- c) **Ladda inte batterier som inte är uppladdningsbara!**
- d) **Batterierna måste placeras i ett väl ventilerat område under laddning!**

## 2. MASKININFORMATION

### Avsedd användning

Maskinen är avsedd för sågning av trä, metall, plast, keramik, gummi etc. i önskad storlek och i önskad form, samtidigt som bottenplattan ligger stadigt på arbetsstycket. Ett lämpligt sågblad måste alltid användas.

## TEKNISKA SPECIFIKATIONER



Denna handbok har tagits fram för olika uppsättningar / artikelnummer. Kontrollera motsvarande artikelnummer i specifikationsstabellen nedan för korrekt sammansättning och innehåll i din uppsättning.

Modellnr.	Batterier ingår	Laddare ingår
<b>JS504DC</b>	-	-
<b>S_JS504DC</b>	CD801AA	CD802AA
<b>S2_JS504DC</b>	2 x CD801AA	CD802AA
<b>S3_JS504DC</b>	CD803AA	CD802AA
<b>S4_JS504DC</b>	CD801AA	CD802AA

Maskininformation	
Nominell spänning	20V
Varvtal utan belastning	1000-2300/min
Slaglängd	17,5mm
Max. sågkapacitet trä 0°	65mm
Max. saw capacity steel 0°	8mm
Vikt	1,40 kg
Ljudtrycknivå LPA	86,0 dB(A), K=5dB(A)
Ljudeffektnivå LWA	97,0 dB(A), K=5dB(A)
Vibration vid sågning av plåt	6,537 m/s <sup>2</sup> K=1,5 m/s <sup>2</sup>
Vibration vid sågning av plywood	7,317 m/s <sup>2</sup> K=1,5 m/s <sup>2</sup>

Modellnr.	CD801AA
Batterityp	Litium-jon
Spänning	20V
Kapacitet	2,0 Ah
Rekommenderad laddare	CD802AA
Vikt	0,3 kg

Modellnr.	CD802AA
Laddarinmatning	220-240V, 50Hz 0,4A
Laddarutmatning	21V  2,5A
Laddningstid 2Ah batteri	60 minuter
Laddningstid 4Ah batteri	120 minuter
Rekommenderade batterier	CD801AA, CD803AA
Vikt	0,36 kg

Modellnr.	CD803AA
Batterityp	Litium-jon
Spänning	20V
Kapacitet	4,0 Ah
Rekommenderad laddare	CD802AA
Vikt	0,65 kg

Använd endast följande batterier från VONROC VPOWER 20V batteriplattform. Användning av andra batterier kan orsaka allvarliga skador eller skador på verktyget.

CD801AA 20V, 2Ah Litium-jon

CD803AA 20V, 4Ah Litium-jon

Följande laddare kan användas för att ladda dessa batterier.

CD802AA Snabbladdare

Batterierna från VONROC VPOWER 20V batteriplattform är utbytbara mellan alla VONROC VPOWER 20V batteriplattformens verktyg.

### Vibrationsnivå

Vibrationsemissionsvärdet som står på baksidan av den här instruktionsboken har uppmätts enligt ett standardiserat test i enlighet med EN 62841; detta värde kan användas för att jämföra vibrationen hos olika verktyg och som en ungefärlig uppskattning av hur stor vibration användaren utsätts för när verktyget används enligt det avsedda syftet:

- om verktyget används på ett annat än det avsedda syftet eller med fel eller dåligt underhållna tillbehör kan detta drastiskt öka vibrationsnivån;
- när verktyget stängs av eller är på men inte används, kan detta avsevärt minska vibrationsnivån.

Skydda dig mot vibration genom att underhålla verktyget och dess tillbehör, hålla händerna varma och styra upp ditt arbetssätt.

### BESKRIVNING

Siffrorna i texten hänvisar till diagrammen på sidorna 2-4.

1. Växelbrytare
2. Brytare för dammfläkt
3. Huvudhandtag
4. Upplåsningsknapp för batteriet
5. Batteri
6. Omkopplare för pendelrörelse

7. Skala för fasningsvinkel
8. Dammsugaradapter
9. Basplatta
10. Styrrulle
11. Extrahandtag
12. Skydd
13. Klämspak
14. Vingmuttrar för parallellanslag
15. Insexnyckel
16. Chuck
17. Sågblad
18. Bult för bottenplatta
19. Parallellanslag
20. Ratt för hastighetsinställning
21. Skärmärke
22. Skydd för bottenplattan
23. Knapp för batteri-LED-indikatorer
24. Batteri-LED-indikatorer
25. Laddare
26. LED-laddningsindikering

### 3. MONTERING



*Ta bort batteriet innan du utför något arbete på elverktyget.*



*Batteriet måste laddas innan det används för första gången.*

#### Insättning av batteriet i maskinen (Fig. A, G)



*Se till att batteriets utsida är ren och torr innan du ansluter det till laddaren eller maskinen.*

1. Sätt in batteriet (5) i maskinens bas enligt fig. G.
2. Skjut batteriet framåt tills det klickar på plats.

#### Borttagning av batteriet från maskinen (Fig. A, G)

1. Tryck på batterilåsningknappen (4)
2. Dra ut batteriet ur maskinen enligt fig. G.

#### Kontroll av batteriets laddningsstatus (Fig. J)

- Tryck kort på knappen (23) på batteriet för att kontrollera batteriets laddningsstatus.
- Batteriet har 3 lampor som indikerar laddningsnivån. Ju fler lampor som lyser, desto mer är batteriet laddat.
- När lamporna inte lyser betyder det att batteriet är tomt och måste laddas omedelbart.

#### Laddning av batteriet med laddaren (Fig. J)

1. Ta ut batteriet (5) från maskinen.
2. Vänd batteriet (5) upp och ner och tryck in det i laddaren (25) enligt fig. J.
3. Tryck in batteriet tills det kommer in i luckan helt.
4. Koppla in laddarens kontakt i ett eluttag och vänta en stund. Laddarens (26) LED-indikeringar kommer att lysa och visa laddningsstatusen.

#### Laddaren har två laddningsindikeringslampa (26) som indikerar laddningsprocessens status:

Röd LED Status	Grön LED status	Laddningsstatus
Av	Av	Ingen ström
Av	På	Standbyläge: - Inget batteri insatt eller, - Batteri insatt men laddningen slutfördes
På	Av	Batteriladdning pågår

- Det kan ta upp till 60 minuter att fulladda 2 Ah-batteriet.
- Det kan ta upp till 120 minuter att fulladda 4 Ah-batteriet.

Ta ut laddningskontakten från uttaget och ta ut batteriet från laddaren när batteriet har fulladdats.



*När maskinen inte används under längre tid är det bäst att lagra batteriet i laddat tillstånd.*

#### Byte av sågblad (fig. A, B)



*När du monterar sågbladet, använd skyddshandskar. Risk för skador om man kommer i kontakt med sågbladet.*



*Använd endast sågblad som motsvarar de karakteristiska data som anges i bruksanvisningen.*

#### Montering av sågklinga



*Se till att bladhållaren är fri från materialrester (t.ex. spån av trä eller metall).*

1. Vrid klämspaken (13) så långt till vänster som möjligt och håll den i detta läge.
2. För in sågklingan i chucken (16). Kontrollera att sågbladet sitter ordentligt och att tänderna



pekar i sågriktningen.

- Släpp klämspaken. Kontrollera att baksidan på sågbladet är placerat i mitten på styrrullen (10).

Se till att använda rätt sågklinga för motsvarande material. Med maskinen medföljer en grov sågklinga för trä och en fin sågklinga för metall och plast.

#### Borttagning av sågklinga

- Vrid klämspaken (13) så långt till vänster som möjligt och håll den i detta läge.
- Ta ur sågklingan från chucken (16).
- Släpp klämspaken.

#### Montera parallellanslag (fig. C)

- Lossa vingmuttrarna (14).
- Montera parallellanslaget (19) på basplattan (9).
- Ställ in önskad skärbredd med hjälp av skalan på parallellanslaget (19) och sågmarkeringen på basplattan (21). Sågmärket (21) anger sågbladets läge.
- Dra åt vingmuttern (14).

## 4. ANVÄNDNING

#### Igångsättning och avstängning av maskinen (fig. A)

- För att starta maskinen, tryck på strömbrytaren (1).
- För att stänga av maskinen, tryck på strömbrytaren (1).

#### Inställning av hastigheten Bild. (A)

Ratten för hastighetsjustering (8) används till att ställa in hastigheten. Den idealiska hastigheten beror på profilen och sågbladets tänder och materialet man arbetar med.



*Ställ inte in hastigheten vid användning.*

#### Ställ in ratten för hastighetsjustering (20) i önskat läge.

- För hårda material, använd ett sågblad med fina tänder och välj en lägre hastighet.
- För mjuka material, använd ett sågblad med grova tänder och välj en högre hastighet.

#### Inställning av fasnivån (fig. A, D)

- Lossa bulten (18) med insexnyckeln (15).
- Justera basplattan (9) till önskat läge (0°- 45°). Sågvinkeln (fasvinkeln) kan avläsas på skalan (7).
- Dra åt bulten (18) med insexnyckeln (15).

#### Inställning av pendelfunktionen (fig. A)

Pendelfunktionen används för att ställa in hur sågbladets tänder greppar materialet. Pendelfunktionen kan ställas in i 4 lägen:

- 0 - ingen pendelverkan
- 1 - liten pendelverkan
- 2 - medelstor pendelverkan
- 3 - stor pendelverkan

Vilken pendelverkan som krävs kan bestämmas genom praktisk testning, även om följande instruktioner kan observeras:

- Mjukt material (trä, plast etc.): ställ pendeln till nivå II eller III. För ett finare och renare sågsnitt, använd pendelnivå 0 eller I.
- Tunt material, använd pendelnivå 0.
- Hårt material (stål etc.): ställ pendeln till nivå 0.
- Kurvor: ställ pendeln till nivå 0.

#### Instickssågning (fig. H)

Instickssågning får endast användas på mjuka material som trä, luftbetong, gipsskivor etc. Detta kräver dock en viss övning och är endast möjlig med korta sågblad.

- Placera sågen på arbetsstycket och slå på den.
- Se till att fotplattans nedre kant vilar på arbetsstyckets yta enligt fig. H.
- Såga långsamt in i arbetsstycket i en vinkel, flytta sågen till ett vertikalt läge och fortsätt såga längs såglinjen.
- Stäng av sågen och lyft av arbetsstycket när arbetet är klart.

#### Dammutsugning (fig. E)

- Sätt in dammsugningsadaptern (8) i dammsugningsöppningen.
- Anslut dammsugningsslangen till dammsugningsadaptern (8).

**Obs!:** Dammbläsningsfunktionen måste inaktiveras när du använder en dammsugare.

#### Dammbläsningsfunktion (fig. I)

Såglinjen kan hållas fri från flis och skräp med hjälp av dammbläsningsfunktionen.

- För att aktivera dammbläsningsfunktionen, flytta dammbläsningsskopplaren (2) nedåt.
- För att avaktivera dammbläsningsfunktionen, flytta dammbläsningsskopplaren (2) uppåt.

**Tips för bästa användning**

- Spänn fast arbetsstycket. Använd ett fastspänningsdon för mindre arbetsstycken.
- Rita linjer som visar i vilken riktning sågbladet ska föras.
- Håll maskinen med ett fast grepp i handtaget.
- Ställ in såghastigheten.
- Ställ in geringsvinkeln.
- Ställ in pendelläget.
- Starta maskinen.
- Vänta tills maskinen uppnått full hastighet.
- Placera fotplattan på arbetsstycket.
- Flytta långsamt maskinen längs med den tidigare ritade linjen och tryck fotplattan stadigt mot arbetsstycket.
- Utöva inte för stort tryck på maskinen. Låt maskinen göra arbetet.
- Stäng av maskinen och vänta tills den stannat helt innan du sätter ner maskinen.

**5. UNDERHÅLL**

*Stäng alltid av maskinen och ta ut batteripaketet från maskinen innan underhåll.*

Rengör maskinen hus regelbundet med en mjuk trasa, helst efter varje gång du använder maskinen. Se till att ventilationsöppningarna är fria från damm och smuts. Ta bort mycket ihållande smuts med en mjuk trasa fuktad med tvållösning. Använd inte lösningsmedel som bensin, alkohol, ammoniak osv. Sådana kemikalier skadar de syntetiska komponenterna.

**MILJÖ**

*Felaktig och/eller kasserad elektrisk eller elektronisk utrustning måste lämnas in på lämpliga återvinningsstationer.*

**Endast för EU-länder**

Släng inte elverktyg i hushållsavfallet. Enligt det europeiska WEEE-direktivet 2012/19/EU för avfall från elektrisk och elektronisk utrustning och dess tillämpning nationellt ska elverktyg som inte längre kan användas samlas in separat och kasseras på ett miljövänligt sätt.

**GARANTI**

VONROC produkter är utvecklade enligt högsta kvalitetsstandard och garanteras vara utan defekter både vad gäller material och tillverkning under den period som stipuleras enligt lag med början från ursprungligt inköpsdatum. Om något fel uppstår på produkten under denna period på grund av material- och/eller tillverkningsfel skall VONROC kontaktas direkt.

Följande omständigheter exkluderas från denna garanti:

- Reparationer eller ändringar som gjorts eller försökt göras på maskinen av ett icke auktoriserat servicecenter.
- Normalt slitage.
- Verktyget har missbrukats, använts fel eller underhållits på felaktigt sätt.
- Icke-originalreservdelar har använts.

Detta utgör hela garantin från företaget, antingen uttryckt eller underförstått. Det finns inga andra garantier, uttalade eller underförstådda som gäller utöver ordalydelsen härav, häri, inklusive de uttalade garantierna för säljbarhet och lämplighet för ett särskilt syfte. Under inga omständigheter skall VONROC hållas ansvarig för några oförutsedda eller indirekta skador. Återförsäljarens åtgärder skall begränsas till reparation eller byte av felaktiga enheter eller delar.

**Med förbehåll för ändringar i produkten och bruksanvisningen. Specifikationer kan ändras utan förvarning.**

## 1. SIKKERHEDSANVISNINGER

Læs de medfølgende sikkerhedsadvarsler, de supplerende sikkerhedsadvarsler og instruktionerne. Såfremt sikkerhedsadvarsler og instruktioner ikke følges, kan dette medføre elektriske stød, brand og/eller alvorlige ulykker. Gem alle sikkerhedsadvarsler og instruktioner til fremtidig reference.

Følgende symboler anvendes i denne brugermanual eller på produktet:



Læs brugermanualen.



Angiver risiko for personskade, dødsfald eller beskadigelse af varmeren i tilfælde af manglende overholdelse af anvisningerne i denne vejledning.



Variabel hastighedsregulering.



Brug beskyttelsesbriller.  
Brug høreværn.



Bær en støvmaske.



Tidsforskudt miniature sikringsindsats.



Maks. temperatur 45 °C.



Kast ikke batteriet ind i åben ild.



Kast ikke batteriet ind i vand.



Separat aflevering af Li-ion batteri.



Produktet overholder de gældende sikkerhedsstandarder i de europæiske direktiver.

### GENERELLE SIKKERHEDSFORSKRIFTER



**Advarsel! Læs alle sikkerhedsadvarsler og alle anvisninger.** Hvis alle nedenstående instruktioner ikke følges, kan det resultere i elektrisk stød, brand og/eller alvorlig personskade.

#### Gem disse instruktioner.

Udtrykket "elektrisk maskine" i alle advarslerne nedenfor henviser til elektriske maskiner/værktøj/redskaber, der via en ledning tilkobles elnettet eller strømforsynes via batteri (accu).

#### 1) Arbejdsområde

- Arbejdsområdet skal være rent og tilstrækkeligt belyst.** Rodede og mørke arbejdsområder giver større risiko for ulykker.
- Brug ikke elektriske maskiner i eksplosive omgivelser, f.eks. i nærheden af brandfarlige væsker, gasser eller støv.** Elektriske maskiner frembringer gnister, som kan antænde støv eller dampe.
- Hold børn og omkringstående på afstand, når der bruges elektriske maskiner.** Hvis man distraheres, kan man miste kontrollen over den elektriske maskine.

#### 2) Elektrisk sikkerhed

- Stik til elektriske maskiner skal passe til stikkontakten. Der må ikke foretages ændringer af stikket. Brug ikke snydepropper til jordede (jordforbundne) elektriske maskiner.** Originale stik og tilsvarende kontakter mindsker risikoen for elektrisk stød.
- Undgå kropskontakt med jordede eller jordforbundne overflader som f.eks. rør, radiatorer, komfurer og køleskabe.** Der er øget risiko for elektrisk stød, hvis kroppen er jordet eller jordforbundet.
- Elektriske maskiner må ikke udsættes for regn eller våde omgivelser.** Hvis der kommer vand i den elektriske maskine, øges risikoen for elektrisk stød.
- Brug ikke ledningen forkert. Brug ikke ledningen til at bære eller trække maskinen og heller ikke for at tage ledningen ud af stikkontakten. Hold ledningen væk fra stærk varme, olie, skarpe kanter og bevægelige dele.** Beskadigede eller filtrerede ledninger øger risikoen for elektrisk stød.
- Når en elektrisk maskine bruges udendørs, skal man bruge en forlængerledning, der er beregnet til udendørs brug.** Hvis der bruges en forlængerledning, der er beregnet til udendørs brug, mindskes risikoen for elektrisk stød.
- Hvis det ikke kan undgås at bruge et maskinværktøj i et fugtigt miljø, bør du anvende en forsyning, der er beskyttet af en fejlstrømsafbryder (RCD).** Brugen af en RCD reducerer risikoen for elektrisk stød.

#### 3) Personlig sikkerhed

- Vær agtpågivende, hold øjnene rette mod det, du laver, og brug almindelig sund fornuft, når du bruger en elektrisk maskine. Brug ikke en elektrisk maskine, hvis du er træt eller er under påvirkning af narkotika, alkohol eller medicin.** Et øjeblik

- uopmærksomhed under arbejdet med en elektrisk maskine kan resultere i alvorlig personskade.
- b) **Brug personligt sikkerhedsudstyr. Brug altid beskyttelsesbriller.** Sikkerhedsudstyr som støvmaske, skridsikre sko, hjelm eller høreværn, brugt når det er nødvendigt, mindsker risikoen for personskade.
  - c) **Undgå utilsigtet start. Sørg for, at der er slukket på afbryderen, før stikket sættes i stikkontakten.** Hvis maskinværktøj bæres med fingeren på kontakten, eller når maskinværktøj strømføres med tændt kontakt, kan der nemt ske ulykker.
  - d) **Fjern justeringsnøgler og tænger, før der tændes for den elektriske maskine.** En tang eller nøgle, der sidder på en roterende del af den elektriske maskine, kan resultere i personskade.
  - e) **Ræk ikke for langt ud. Stå sikkert på fødderne og vær altid i god balance.** Det giver bedre kontrol over maskinen i uventede situationer.
  - f) **Tag passende tøj på. Bær ikke løstsiddende tøj eller smykker.** Hold hår, tøj og handsker væk fra bevægelige dele. Løstsiddende tøj, smykker eller langt hår kan blive grebet af bevægelige dele.
  - g) **Hvis der forefindes tilslutning til støvudsugning og -opsamling, skal man sørge for, at udstyret er tilsluttet og bruges.** Brug disse muligheder for at mindske risikoen for støvrelaterede risici.
  - h) **Lad ikke kendskab opnået gennem hyppig brug af værktøj lade dig blive tilbagelænet og ignorere værktøjssikkerhedsprincipper.** En skødesløs handling kan forårsage alvorlig personskade inden for en brøkdal af et sekund.
- 4) Brug og behandling af elektriske maskiner**
- a) **Brug ikke magt på den elektriske maskine. Brug kun den elektriske maskine til det, den er beregnet til.** Den rette elektriske maskine gør arbejdet bedre og mere sikkert ved den effekt, der er foreskrevet.
  - b) **Brug ikke den elektriske maskine, hvis afbryderen ikke kan tænde og slukke.** En elektrisk maskine, der ikke kan tændes og slukkes på afbryderen, er farlig og skal repareres.
  - c) **Tag stikket ud af stikkontakten før justering, udskiftning af tilbehør, og før den elektriske maskine gemmes væk.** Sådanne forebyggende sikkerhedsforanstaltninger mindsker risikoen for, at den elektriske maskine starter ved et uheld.
  - d) **Elektriske maskiner, der ikke bruges, skal opbevares utilgængeligt for børn, og personer, der ikke har kendskab til den elektriske ma-**
- skine eller disse instruktioner, må ikke bruge den elektriske maskine.** Elektriske maskiner er farlige i hænderne på uøvede personer.
- e) **Elektriske maskiner skal vedligeholdes. Check for forkert justering og fastsiddende bevægelige dele, defekte dele og andre ting, som kan påvirke den elektriske maskines korrekte funktion. Hvis den elektriske maskine er beskadiget, skal den repareres før brug.** Mange ulykker skyldes, at elektriske maskiner er dårligt vedligeholdt.
  - f) **Skærende værktøj skal holdes skarpe og rene.** Korrekt vedligeholdt skærende værktøj med skarpe skær kommer ikke så let til at sidde fast og er nemmere at styre.
  - g) **Brug den elektriske maskine, tilbehør, tool-bits osv. i henhold til disse instruktioner og på den måde, som denne specielle maskine er beregnet til, idet man skal tage hensyn til arbejdsforholdene og arbejdet, der skal udføres.** Brug af den elektriske maskine til andet, end den er beregnet til, kan resultere i farlige situationer.
  - h) **Hold håndtag og gribeblade tørre, rene og fri fra olie og fedtstof.** Glatte håndtag og gribeblade giver ikke mulighed for sikker håndtering og kontrol af værktøjet i uventede situationer.
- 5) Batteriværktøj anvendelse og vedligeholdelse**
- a) **Genoplad kun med oplader som er specificeret af fabrikanten.** En oplader som er anvendelig for en type batteripakning kan forårsage brand, når den anvendes med en anden batteripakning.
  - b) **Anvend kun elektroværktøj med særlig egnede batteripakninger.** Anvendelse af enhver anden batteripakning kan give risiko for ulykker og brandfare.
  - c) **Når batteripakning ikke anvendes, holdes det altid på afstand af enhver metalgenstand såsom papirklips, mønter, nøgler, søm eller andre små metal genstande der kan lave en forbindelse fra én terminal til en anden.** Ved at kortslutte batteriterminalerne sammen kan forårsage brandfare.
  - d) **Under dårlige forhold kan væske udløbe fra batteriet; undgå kontakt med dette. Hvis kontakt alligevel forekommer, skylles der med vand. Hvis væske kommer i øjnene, skal der øjeblikkeligt søges lægehjælp.** Væske som udløber fra batteriet kan forårsage irritationer og forbrændinger.
  - e) **Brug ikke en batteripakke eller et værktøj, der er beskadiget eller modificeret.** Beskadede eller modificerede batterier kan udvise uforudsigelig adfærd, hvilket resulterer i brand,

eksplosion eller risiko for personskade.

- f) **Undlad at udsætte en batteripakke eller et værktøj for åben ild eller for høj temperatur.** Udsættelse for åben ild eller temperatur over 130 °C kan forårsage eksplosion. BEMÆRK Temperaturen „130 °C“ kan erstattes af temperaturen „265 °F“.
- g) **Følg alle opladningsinstruktioner, og oplad ikke batteripakken eller værktøjet uden for temperaturintervallet specificeret i instruktionerne.** Forkert opladning eller opladning ved temperaturer uden for det specificerede interval kan beskadige batteriet og øge risikoen for brand.

## 6) Service

- a) **Få foretaget service på dit maskinværktøj af en kvalificeret reparatør, der kun bruger identiske udskiiftingsdele.** Dette sikrer, at maskinværktøjet fortsat er sikkert at bruge.
- b) **Foretag aldrig service på beskadigede batteripakker.** Service af batteripakker bør kun udføres af producenten eller autoriserede serviceudbydere.

## SIKKERHEDSADVARSLER FOR STIKSAVE

- **Hold fast rundt om el-værktøjet på de isolerede gribeblade, når der bliver udført arbejde, hvor skæretilbehøret muligvis kan komme i kontakt med skjulte ledninger.** Hvis skæretilbehør kommer i kontakt med en strømførende ledning, kan det forårsage at el-værktøjets eksponerede metaldele bliver strømførende og udsætter brugeren for elektrisk stød.
- **Hold hænderne væk fra saveområdet.** Ræk ikke ind under arbejdsemnet. Kontakt med savklingen kan føre til personskader.
- **Brug kun maskinen på arbejdsemnet, når den er tændt.** Ellers er der fare for tilbageslag, når skæreværktøjet sætter sig fast i arbejdsemnet.
- **Vær opmærksom på, at bundpladen hviler sikkert på materialet under savning.** En savklinge, der sidder fast, kan blive ødelagt eller føre til tilbageslag.
- **Når skæringen er afsluttet, skal du slukke for maskinen og derefter trække savklingen ud af snittet, når den holder stille.** På denne måde kan du undgå tilbageslag og stille maskinen sikkert ned.
- **Brug kun ubeskadigede savklinger, der er i perfekt stand.** Bøjede eller stumpede savklinger kan gå i stykker, påvirke snittet negativt eller føre til tilbageslag.

- **Brems ikke savklingen ved at lægge pres på siden efter slukning.** Savklingen kan blive beskadiget, gå i stykker eller forårsage tilbageslag.
- **Brug passende detektorer til at afgøre, om der er skjulte forsyningsledninger på arbejdsområdet, eller ring til den lokale forsyningsvirksomhed for hjælp.** Kontakt med elektriske ledninger kan føre til brand og elektrisk stød. Beskadigelse af en gasledning kan føre til eksplosion. Gennemtrængning af en vandledning forårsager ejendomsskade.
- **Fastgør arbejdsemnet.** Et arbejdsemne fastgjort med fastspændingsenheder eller i en skruestik holdes mere sikkert end med hånden.
- **Vent altid, til maskinen er standset helt, inden du lægger den ned.** Værktøjsindsatsen kan sidde fast og føre til mistet kontrol over elværktøjet.
- **Brug klemmer eller en anden praktisk måde til at fastgøre og støtte arbejdsemnet på en stabil platform.** Hvis du holder arbejdsemnet i hånden eller mod din krop, bliver det ustabilt og kan føre til tab af kontrol.

## SIKKERHEDSADVARSLER FOR BATTERI

- a) **Åbn ikke batteriet.** Fare for kortslutning.
- b) **Beskyt batteriet mod varme, f.eks. mod kontinuerligt intenst sollys, brand, vand og fugt.** Fare for eksplosion.
- c) **I tilfælde af skade og forkert brug af batteriet, kan der blive udsendt dampe. Udluft området, og søg lægehjælp i tilfælde af klager.** Dampene kan irritere åndedrætssystemet.
- d) **Brug kun batteriet sammen med dit VONROC-produkt.** Denne foranstaltning alene beskytter batteriet mod farlig overbelastning.
- e) **Batteriet kan blive beskadiget af spidse genstande såsom søm eller skruetrækkere eller af eksternt påført kraft.** Der kan opstå en intern kortslutning, og batteriet kan brænde, ryge, eksplodere eller blive overophedet.

## VEDRØRENDE OPLADEREN

### Tilsigtet brug

Oplad kun CD801AA og CD803AA genopladelig type Batteripakker med opladeren. Andre typer batterier kan sprænge og dermed forårsage personskader og beskadigelser.

- a) **Dette apparat er ikke beregnet til at blive anvendt af personer (herunder børn) med reducerede fysiske, sansemæssige eller mentale evner samt med manglende erfaring eller viden,**

- med mindre de bliver overvåget eller instrueret.
- b) Børn skal overvåges, så de ikke leger med apparatet.
- c) Oplad ikke batterier, der ikke er genopladelige!
- d) Under opladningen skal batterierne anbringes i et område med god udluftning!

## 2. MASKINOPLYSNINGER

### Tilsligt brug

Maskinen er beregnet til at save træ, metal, plast, keramik, gummi osv. til enhver ønsket størrelse og i enhver ønsket form, samtidig med at bundpladen hviler fast på arbejdsemnet. Der skal altid bruges en passende savklinge.

### TEKNISKE SPECIFIKATIONER



Denne vejledning er udarbejdet til forskellige sæt/varenumre. Kontroller det tilsvarende varenummer i nedenstående tabel med specifikationer for den korrekte sammensætning og indholdet af dit sæt.

Model nr.	Batterier inkluderet	Opladere inkluderet
<b>JS504DC</b>	-	-
<b>S_JS504DC</b>	CD801AA	CD802AA
<b>S2_JS504DC</b>	2 x CD801AA	CD802AA
<b>S3_JS504DC</b>	CD803AA	CD802AA
<b>S4_JS504DC</b>	CD801AA	CD802AA

### Maskinoplysninger

Nominal spænding	20V
Hastighed uden last	1000-2300/min
Slaglængde	17,5mm
Maks. savkapacitet træ 0°	65mm
Maks. savkapacitet stål 0°	8mm
Vægt	1,40 kg
Lydtrykniveau Lpa	86,0 dB(A), K=5dB(A)
Lydtrykeffekt Lwa	97,0 dB(A), K=5dB(A)
Vibration 'savning af metalplade'	6,537 m/s <sup>2</sup> K=1,5 m/s <sup>2</sup>
Vibration 'savning af krydsfiner'	7,317 m/s <sup>2</sup> K=1,5 m/s <sup>2</sup>

Model nr.	CD801AA
Batteritype	Lithium-Ion
Spænding	20V
Kapacitet	2,0 Ah
Anbefalet oplader	CD802AA
Vægt	0,3 kg

Model nr.	CD802AA
Opladerinput	220-240V, 50Hz 0,4A
Opladeroutput	21V  2,5A
Opladningstid 2 Ah batteri	60 minutter
Opladningstid 4 Ah batteri	120 minutter
Anbefalede batterier	CD801AA, CD803AA
Vægt	0,36 kg

Model nr.	CD803AA
Batteritype	Lithium-Ion
Spænding	20V
Kapacitet	4,0 Ah
Anbefalet oplader	CD802AA
Vægt	0,65 kg

Brug kun de følgende batterier af VONROC VPOWER 20V-batteriplatform. Brug af andre batterier kan forårsage personskade eller beskadigelse af værktøjet.

CD801AA 20V, 2Ah Lithium-Ion  
CD803AA 20V, 4Ah Lithium-Ion

Den følgende oplader kan bruges til at oplade disse batterier.

CD802AA Hurtig oplader

Batterierne af VONROC VPOWER 20V-batteriplatformen kan udskiftes med alle VONROC VPOWER 20V-batteriplatformsværktøjer.

### Vibrationsniveau

Det vibrationsniveau, der er anført bag på denne betjeningsvejledning er målt i henhold til den standardiserede test som anført i EN 62841; den kan benyttes til at sammenligne to stykker værktøj og som en foreløbig bedømmelse af udsættelsen for vibrationer, når værktøjet anvendes til de nævnte formål:

- anvendes værktøjet til andre formål eller med andet eller dårligt vedligeholdt tilbehør, kan dette øge udsættelsesniveauet betydeligt;
- de tidsrum, hvor værktøjet er slukket, eller hvor det kører uden reelt at udføre noget arbejde, kan reducere udsættelsesniveauet betydeligt.

Beskyt dig selv imod virkningerne af vibrationer ved at vedligeholde værktøjet og dets tilbehør, ved at holde dine hænder varme og ved at organisere dine arbejdsmønstre.

### BESKRIVELSE

Tallene i teksten henviser til diagrammerne på side 2-4.

1. Tænd/sluk-kontakt
2. Støvlæserkontakt
3. Hovedhåndtag
4. Knap til oplåsning af batteri
5. Batteri
6. Pendulkontakt
7. Skala for smigvinkel
8. Støvsugeradapter
9. Bundplade
10. Føringsrulle
11. Hjælpehåndtag
12. Beskyttelsesskærm
13. Spændearm
14. Vingeskruer til parallelføring
15. Sekskantnøgle
16. Borepatron
17. Savklinge
18. Bolt til bundplade
19. Parallelføring
20. Hjul til hastighedsindstilling
21. Skæremærke
22. Bundpladedæksel
23. Knap til LED-indikatorer for batteri
24. LED-indikatorer for batteri
25. Oplader
26. LED-indikatorer for oplader

### 3. SAMLING



Tag batteriet ud, inden der udføres arbejde på el-værktøjet.



Batteriet skal oplades inden første brug.

#### Sådan tages batteriet ud af maskinen (Fig. A, G)

1. Tryk på knappen til oplåsning af batteri (5)
2. Træk batteriet ud af maskinen, som vist på fig. G.

#### Sådan sættes batteriet ind i maskinen (Fig. D)



Sørg for, at batteriets yderside er ren og tør, inden du forbinder det til opladeren eller maskinen.

1. Sæt batteriet (4) ind i maskinens base, som vist på fig. A, G.
2. Skub batteriet længere frem, indtil det klikker på plads.

#### Kontrol af batteriets opladestatus (Fig. J)

- Tryk kortvarigt på knappen (23) på batteriet for at kontrollere batteriets opladningsstatus.
- Batteriet har 3 lamper, der angiver opladningsniveauet. Jo flere lamper, der lyser, des mere opladning er der tilbage i batteriet.
- Når lamperne ikke lyser, betyder det, at batteriet er tomt og skal oplades med det samme.

#### Opladning af batteriet med opladeren (Fig. J)

1. Tag batteriet (5) ud af maskinen.
2. Vend batteriet (5) på hovedet, og skub det ind i opladeren (25), som vist på fig. J.
3. Skub batteriet, indtil det er helt inde i åbningen.
4. Sæt opladerstikket i en stikkontakt, og vent et øjeblik. LED-indikatorerne (26) på opladeren lyser og viser opladerens status.

#### Opladeren har 2 LED-indikatorer (26), som indikerer opladningsprocessens status:

Rød LED status	Grøn LED status	Opladerstatus
Slukket	Slukket	Ingen strøm
Slukket	Tændt	Standby-tilstand: - Intet batteri isat, eller - Batteri isat, men opladningen blev afsluttet
Tændt	Slukket	Batteriopladning i gang

- Det kan tage op til 60 minutter at lade 2 Ah batteriet helt op.
- Det kan tage op til 120 minutter at lade 4 Ah batteriet helt op.

Når batteriet er ladet helt op, skal du tage opladerens stik ud af kontakten og fjerne batteriet fra opladeren.



*Når maskinen ikke bruges gennem en længere periode, er det bedst at opbevare batteriet i opladet tilstand.*

#### Udskiftning af savklingen (fig. A, B)



*Bær beskyttelseshandsker ved montering af savklingen. Fare for personskade, når savklingen berøres.*



*Brug kun savklinger, der stemmer overens med de karakteristiske data, der er angivet i brugsanvisningerne.*

#### Montering af savklingen



*Sørg for, at klingeholderen er fri for materialerester (f.eks. træ- eller metalsplinter).*

1. Drej spændearmen (13) så langt til venstre som muligt, og hold den i denne position.
2. Indsæt savklingen i spændepatronen (16). Kontroller, at savklingen sidder godt fast, og at tænderne peger i skæreretningen.
3. Slip spændearmen. Kontroller, om savklings bagside er placeret i midten af styrerullen (10).

Sørg for at bruge den rette savklinge til det tilsvarende materiale. Med maskinen følger der en grov savklinge til træ og en fin savklinge til metal og plast.

#### Fjernelse af savklingen

1. Drej spændearmen (13) så langt til venstre som muligt, og hold den i denne position.
2. Fjern savklingen fra spændepatronen (16).
3. Slip spændearmen.

#### Påmontering af parallelføringen (fig. C)

1. Løsn vingeskruerne (14).
2. Monter parallelføringen (19) på bundpladen (9).
3. Indstil den ønskede skærebredde ved hjælp af skalaen på parallelføringen (19) og skæremærket på bundpladen (21). Skæremærket (21) indikerer positionen af savklingen.
4. Stram vingeskruen (14).

## 4. DRIFT

#### Tænd/sluk maskinen (fig. A)

- Tænd for maskinen ved at trykke kontakten fremad og trykke på tænd/sluk-kontakten (1).
- Sluk for maskinen ved at frigive tænd/sluk-kontakten (1).

#### Indstilling af hastigheden (Fig. A)

Hastighedsjusteringshjulet anvendes til indstilling af hastigheden. Den idelle hastighed afhænger af formen samt tænderne på savklingen og det bearbejdede materiale.



*Indstil ikke hastigheden under brugen.*

Drej hastighedsjusteringshjulet (3) til den ønskede indstilling.

- Til hårde materialer skal du bruge ensavklinge med små tænder og vælge en lavere hastighed.
- Til bløde materialer skal du bruge en savklinge med større tænder og vælge en højere hastighed.

#### Justering af smigvinklen (fig. A, D)

1. Løsn boltene (18) ved hjælp af sekskantnøglen (15).
2. Juster bundpladen (9) til den ønskede position (0°- 45°). Savvinklen (smig) kan læses på skalaen (7).
3. Stram boltene (18) ved hjælp af sekskantnøglen (15).

#### Justering af pendulhandlingen (fig. A)

Kontakten til pendulhandlingen bruges til at indstille den måde, savklings tænder griber fat i materialet. Kontakten til pendulhandling kan indstilles i 4 positioner:

- 0 - Ingen pendulhandling
- 1 - Lille pendulhandling
- 2 - Mellemstor pendulhandling
- 3 - Stor pendulhandling

Den nødvendige pendulhandling kan bestemmes gennem en praktisk test, selvom følgende instruktioner kan følges:

- Blødt materiale (træ, plast osv.): Indstil pendulet til niveau II eller III. For et finere og renere savsnit skal du bruge pendulniveau 0 eller I.
- Tyndt materiale, brug pendul niveau 0.
- Hårdt materiale (stål osv.): Indstil pendulet til



niveau 0.

- Kurver: indstil pendul til niveau 0.

### Dyksavning (fig. H)

Dyksavning må kun bruges på bløde materialer som træ, luftindblandet beton, gipsplader osv.

Dette kræver dog en vis praksis og kan kun lade sig gøre med korte savklinger.

1. Placer saven på arbejdsemnet og tænd den.
2. Sørg for, at fodpladens nederste kant hviler på arbejdsemnets overflade som vist på fig. H.
3. Sav langsomt ind i arbejdsemnet ved en vinkel ved at flytte saven til en lodret position og fortsætte med at save langs skærelinjen.
4. Sluk for saven, og løft arbejdsemnet, når arbejdet er afsluttet.

### Støvsugning (fig. E)

- Indsæt støvsugeradapteren (8) i støvsugningsforbindelsen.
- Slut støvsugerens slange til støvsugeradapteren (8).

**Bemærk:** Støvblæserfunktionen skal deaktiveres, når der bruges en støvsuger.

### Støvblæserfunktion (fig. I)

Skærelinjen kan holdes fri for spåner og snavs ved hjælp af støvblæserfunktionen.

- For at aktivere støvblæserfunktionen skal du flytte støvblæserkontakten (2) nedad.
- For at deaktivere støvblæserkontakten skal du flytte støvblæserkontakten (2) opad.

### Tips for optimal anvendelse

- Fiksér arbejdsemnet. Brug skruetvinger til små arbejdsemner.
- Tegn en linje, som definerer den retning, du vil guide savklingen i.
- Hold fast i maskinen med håndtaget.
- Indstil savehastigheden.
- Indstil geringsvinklen.
- Indstil pendulpositionen.
- Tænd maskinen.
- Vent, indtil maskinen er nået op på fuld hastighed.
- Placer savskoen på arbejdsemnet.
- Bevæg langsomt maskinen langs de tegnede linjer, mens du presser savskoen mod arbejdsemnet.
- Læg ikke for meget pres på maskinen. Lad

maskinen gøre arbejdet.

- Sluk for maskinen og vent, til den står helt stille, før maskinen sættes ned.

## 5. VEDLIGEHOLDELSE



*Før rengøring og vedligeholdelse skal du altid slukke for maskinen og trække netstikket ud af kontakten.*

Rengør maskinbeklædningerne regelmæssigt med en blød klud, helst efter hver anvendelse. Sørg for, at der ikke er støv eller snavs i ventilationsåbningerne. Fjern snavs, der sidder meget godt fast, med en blød klud, der er fugtet i sæbevand. Brug ikke opløsningsmidler, som f.eks. benzín, sprit, ammoniak osv. Kemikalier som disse beskadiger de syntetiske komponenter.

## MILJØ



*Defekte og/eller bortskaffede elektriske og elektroniske apparater skal afleveres på en passende genbrugsstation.*

### Kun for EU-lande

Smid ikke el-værktøjer ud sammen med almindeligt affald. I henhold til de europæiske direktiver 2012/19/EU for elektrisk og elektronisk udstyr og er implementeret i henhold til nationale rettigheder, el-værktøj som ikke længere er anvendelig skal indsamles separat og genbruges på en miljøvenlig måde.

## GARANTIVILKÅR

VONROC produkter er udviklet efter de højeste kvalitetsstandarder og er garanteret fri for mangler i såvel materialer som udførelse i den lovpligtige periode, der starter fra datoen for det oprindelige køb. Skulle produktet udvikle nogen fejl i løbet af denne periode på grund af defekte materialer og/eller fabriktionsfejl, så kontakt VONROC direkte.

De følgende forhold er udelukket fra denne garanti:

- Reparationer og eller rettelser er blevet foretaget eller forsøgt foretaget på maskinen af uautoriserede servicecentre.
- Normal slitage.
- Værktøjet har været misligholdt, misbrugt eller vedligeholdt forkert.
- Ikke originale reservedele er blevet anvendt.

Dette udgør den eneste garanti fra virksomheden enten udtrykt eller underforstået. Der er ingen andre garantier udtrykt eller underforstået, som strækker sig ud over forsiden heraf, heri, herunder underforståede garantier for salgbarhed og egnethed til et bestemt formål. VONROC vil under ingen omstændigheder være ansvarlig for hændelige skader eller følgeskader. Forhandlernes afhjælpningsmidler vil være begrænsede til reparation eller udskiftning af fejlbehæftede enheder eller dele.

**Produktet og brugermanualen kan ændres. Specifikationer kan ændres uden forudgående varsel.**

## 1. INSTRUKCJE DOTYCZACE

Przeczytać dołączone ostrzeżenia dotyczące bezpieczeństwa, dodatkowe ostrzeżenia dotyczące bezpieczeństwa oraz instrukcje. Nieprzestrzeganie ostrzeżeń dotyczących bezpieczeństwa oraz instrukcji może prowadzić do porażenia prądem, pożaru i/lub poważnych obrażeń ciała. Zachować ostrzeżenia dotyczące bezpieczeństwa oraz instrukcje na przyszłość.

Następujące symbole są umieszczone w instrukcji obsługi lub na produkcie:



*Przeczytać instrukcję obsługi.*



*Oznacza ryzyko obrażeń ciała, śmierci lub uszkodzenia narzędzia w razie nieprzestrzegania poleceń z instrukcji.*



*Zmienna predkosć elektroniczna.*



*Używać gogli ochronnych.  
Stosować osłonę dla uszu.*



*Noś maskę przeciwpyłową.*



*Miniaturowy topik z opóźnieniem czasowym.*



*Maks. temperatura 45° C.*



*Nie wrzucać akumulatora do ognia.*



*Nie wrzucać akumulatora do wody.*



*Zbiórka selektywna akumulatora litowo jonowego.*



*Produkt spełnia wymogi odpowiednich norm bezpieczeństwa podanych w dyrektywach UE.*

### OGÓLNE ZALECENIA DOTYCZĄCE BEZPIECZEŃSTWA



***UWAGA! Przeczytać wszystkie ostrzeżenia dotyczące bezpieczeństwa i wszystkie instrukcje. Nieprzestrzeganie wszystkich poniższych instrukcji może być przyczyną porażenia prądem, pożaru i/lub poważnych obrażeń.***

### Zachowaj poniższe instrukcje.

Termin „elektronarzędzia akumulatorowe” we wszystkich ostrzeżeniach zamieszczonych poniżej odnosi się do elektronarzędzi akumulatorowych zasilanych sieciowo (przewodowych) lub elektronarzędzi akumulatorowych działających na baterie (beprzewodowych).

#### 1) Obszar roboczy

a) **Obszar roboczy należy utrzymywać w czystości.** Powinien on być dobrze oświetlony. Nieład i złe oświetlenie mogą z łatwością doprowadzić do wypadku.

b) **Nie korzystaj z elektronarzędzi akumulatorowych w warunkach, w których łatwo może dojść do wybuchu, np. w obecności łatwopalnych cieczy, gazów lub pyłu.** Podczas pracy elektronarzędzi akumulatorowych powstają iskry, które mogą doprowadzić do zapłonu pyłu lub oparów.

c) **Dzieci i inne osoby postronne powinny pozostać w bezpiecznej odległości od pracującego urządzenia.** Rozproszenie uwagi może spowodować utratę kontroli nad urządzeniem.

#### 2) Bezpieczeństwo związane z elektrycznością

a) **Wtyczki elektronarzędzi akumulatorowych muszą być odpowiednie do danego gniazda. Pod żadnym pozorem nie należy modyfikować wtyczki w jakikolwiek sposób. Nie należy używać adapterów, które uziemiają elektronarzędzia akumulatorowe.** Stosowanie wtyczek nie poddanych modyfikacjom oraz odpowiednich gniazd zmniejsza ryzyko porażenia prądem.

b) **Należy unikać bezpośredniego kontaktu fizycznego z powierzchniami uziemionymi, takimi jak rury, grzejniki, kuchenki, lodówki.** Ryzyko porażenia prądem jest większe, jeśli ciało osoby obsługującej urządzenie jest uziemione.

c) **Nie należy wystawiać elektronarzędzi akumulatorowych na działanie deszczu lub wilgoci.** Dostanie się wody do wnętrza elektronarzędzia akumulatorowego zwiększy ryzyko porażenia prądem.

d) **Nie należy używać przewodu w niewłaściwy sposób. Pod żadnym pozorem nie należy wykorzystywać przewodu do przenoszenia lub ciągnięcia elektronarzędzia akumulatorowego, ani do jego odłączania od sieci. Przewodu nie należy wystawiać na działanie ciepła, smarów. Powinien on znajdować się w bezpiecznej odległości od ostrych krawędzi i części ruchomych. Przewody uszkodzone lub poplątane**

zwiększają ryzyko porażenia prądem.

- e) **Podczas korzystania z elektronarzędzia akumulatorowego na wolnym powietrzu, należy używać przewodu przedłużacza przystosowanego do użytku na zewnątrz.** Używanie przewodu nadającego się do użytku na wolnym powietrzu zmniejsza ryzyko porażenia prądem.
- f) **Jeśli obsługa elektronarzędzia w wilgotnym miejscu jest nieunikniona, użyć zasilania wyposażonego w wyłącznik różnicowo-prądowy.** Użycie wyłącznika różnicowo-prądowego zmniejsza ryzyko porażenia prądem.

#### 3) Bezpieczeństwo osoby obsługującej urządzenie

a) **Przez cały czas należy mieć się na baczności, uważać na to, co się robi, a w czasie obsługi elektronarzędzia akumulatorowego postępować mając na uwadze zdrowy rozsądek. Urządzenia nie powinny obsługiwać osoby zmęczone lub będące pod wpływem narkotyków, alkoholu lub leków.** Chwila nieuwagi w czasie obsługi elektronarzędzi akumulatorowych może być przyczyną powstania poważnych obrażeń ciała.

b) **Należy korzystać ze sprzętu ochronnego oraz zawsze nosić okulary ochronne.** Sprzęt ochronny, jak na przykład maska przeciwpyłowa, antypoślizgowe obuwie ochronne, kask lub słuchawki ochronne używany we właściwych sytuacjach pozwoli na zmniejszenie ryzyka obrażeń ciała.

c) **Unikać niezamierzonego uruchomienia. Przed podłączeniem urządzenia do sieci, zawsze sprawdzić, czy przełącznik znajduje się w pozycji „wyłączony”.** Przenoszenie elektronarzędzi z palcem na przełączniku lub włączonych elektronarzędzi z przełącznikiem w położeniu włączenia jest bardzo niebezpieczne i może powodować wypadki.

d) **Przed włączeniem elektronarzędzia akumulatorowego należy usunąć z niego wszystkie klucze nastawcze lub maszynowe.** Pozostawienie klucza zamocowanego na jednej z części obrotowych urządzenia może spowodować powstanie obrażeń ciała.

e) **Nie należy sięgać ponad urządzeniem. Przez cały czas należy zachować odpowiednią równowagę i zapewnić odpowiednie oparcie dla stóp.** Pozwoli to na lepsze kontrolowanie urządzenia w nieoczekiwanych sytuacjach.

f) **Należy nosić odpowiednie ubranie. Do pracy z urządzeniem nie wkładać luźnych ubrań ani biżuterii. Włosy, ubranie i rękawiczki trzymać z**

- dała od części ruchomych.** Luźne części ubrania, biżuteria lub długie włosy mogą zostać wciągnięte przez części ruchome.
- g) **Jeśli w urządzeniu przewidziano elementy służące do odprowadzania i zbierania pyłu, należy sprawdzić, czy są podłączone, i czy działają we właściwy sposób.** Korzystanie z tego typu elementów pozwala ograniczyć ryzyko związane z wydzielaniem pyłu podczas pracy urządzenia.
- h) **Nie zezwalać na to, aby rutyna związana z częstym korzystaniem z narzędzi powodowała nadmierną pewność siebie i ignorowanie zasad bezpiecznego korzystania z narzędzi.** Nieodpowiedzialne działanie może spowodować poważne obrażenia ciała w ułamku sekundy.
- 4) Obsługa i konserwacja elektronarzędzi akumulatorowych**
- a) **Urządzenia nie należy przeciążać. Należy korzystać z narzędzia odpowiedniego do danego typu pracy.** Odpowiednio dobrane urządzenie pozwoli na lepsze i bezpieczniejsze wykonanie pracy, we właściwym dla urządzenia tempie.
- b) **Z elektronarzędzia akumulatorowego nie należy korzystać, jeśli nie można go włączyć i wyłączyć przy pomocy przełącznika.** Urządzenie, którego nie można kontrolować używając przełącznika jest niebezpieczne i powinno być oddane do naprawy.
- c) **Przed przystąpieniem do regulowania elektronarzędzi akumulatorowych, wymiany akcesoriów lub przygotowywania urządzeń do okresu przechowywania, należy odłączyć wtyczkę od źródła zasilania.** Tego typu środek ostrożności zmniejszają ryzyko przypadkowego uruchomienia urządzenia.
- d) **Nieczynne elektronarzędzia akumulatorowe należy przechowywać poza zasięgiem dzieci. Nie należy pozwolić, aby osoby nie znające urządzenia lub niniejszych instrukcji obsługiwały urządzenie.** Elektronarzędzia akumulatorowe w rękach niekompetentnych użytkowników stanowią zagrożenie.
- e) **Elektronarzędzia akumulatorowe należy utrzymywać w dobrym stanie technicznym. Należy sprawdzać, czy części ruchome są właściwie założone, i czy się nie zacinają. Należy również sprawdzać, czy jakieś części nie są uszkodzone oraz sprawdzać wszelkie inne elementy, które mogą wpłynąć na pracę urządzeń. Jeśli urządzenie jest uszkodzone, przed przystąpieniem do jego użytkowania, należy je naprawić.** Częstą przyczyną wypadków jest zły stan techniczny urządzeń.
- f) **Narzędzia służące do cięcia powinny być naostrzone i utrzymywane w czystości.** Jeśli narzędzia służące do cięcia, które posiadają ostre krawędzie tnące, są właściwie konserwowane, istnieje mniejsze prawdopodobieństwo ich zacinania się. Ponadto, łatwiej je kontrolować.
- g) **Elektronarzędzia akumulatorowego, akcesoriów, nakładek, itp. należy używać zgodnie z niniejszymi instrukcjami oraz w sposób właściwy dla danego rodzaju urządzenia, z u względnieniem warunków pracy oraz jej rodzaju.** Używanie urządzenia niezgodnie z przeznaczeniem może prowadzić do powstania sytuacji niebezpiecznych.
- h) **Uchwyty należy utrzymywać w stanie suchym, czystym i niezabrudzonym olejem lub smarem.** Śliskie uchwyty i powierzchnie do chwytania nie pozwalają na bezpieczne obchodzenie się z narzędziem i panowanie nad nim w nieoczekiwanych sytuacjach.
- 5) Użytkowanie i konserwacja urządzenia zasilanego akumulatorami**
- a) **Ładować tylko przy użyciu ładowarki określonej przez producenta.** Ładowarka przewidziana dla jednego rodzaju akumulatorów stwarza ryzyko pożaru w przypadku użycia jej z innym zestawem akumulatorów.
- b) **Należy używać jedynie akumulatorów przeznaczonych dla danego urządzenia.** Użycie innych akumulatorów stwarza ryzyko wystąpienia obrażeń ciała lub pożaru.
- c) **Kiedy akumulatorki nie są używane, należy przechowywać je z dala od przedmiotów metalowych, takich jak spinacze do papieru, monety, klucze, gwoździe, śruby lub inne niewielkie przedmioty metalowe, które mogłyby spowodować zwarcie pomiędzy stykami.** Zwarcie styków akumulatorka może spowodować pożar.
- d) **W przypadku przecięcia z akumulatorka może wycieknąć płyn; nie należy go dotykać. W razie przypadkowego kontaktu przemyć skórę wodą. W przypadku dostania się płynu do oczu należy skontaktować się z lekarzem.** Płyn z akumulatorka może powodować podrażnienia lub oparzenia.
- e) **Nie używać uszkodzonego ani zmodyfikowanego akumulatora lub narzędzia.** Uszkodzone lub zmodyfikowane akumulatory mogą działać w sposób nieoczekiwany, co może powodować pożar, wybuch lub ryzyko obrażeń ciała.
- f) **Nie wystawiać akumulatora ani narzędzia na działanie płomienia lub zbyt wysokiej temperatury.** Narażenie na działanie płomienia lub

temperatury powyżej 130°C może spowodować wybuch. UWAGA Temperaturę „130 °C“ można zastąpić temperaturą „265 °F“.

- g) **Przestrzegać wszystkich instrukcji ładowania i nie ładować akumulatora ani narzędzia poza zakresem temperatury podanym w instrukcji.** Nieprawidłowe ładowanie lub ładowanie w temperaturze poza podanym zakresem może spowodować uszkodzenie akumulatora i zwiększyć ryzyko pożaru.
- 6) **Serwis**
- a) **Zlecać serwisowanie elektronarzędzie wykwalifikowanemu technikowi stosującymi jedynie części zamienne identyczne z oryginalnymi.** Zapewni to zachowanie bezpieczeństwa elektronarzędzia.
- b) **Nigdy nie serwisować uszkodzonych akumulatorów.** Serwisowanie akumulatorów może przeprowadzać wyłącznie producent lub autoryzowany serwis.

#### **OSTRZEŻENIA DOTYCZĄCE BEZPIECZEŃSTWA DLA WYRZYNAK WĄHADŁOWYCH**

- **Trzymać elektronarzędzie tylko za izolowane powierzchnie do chwytania podczas wykonywania prac, podczas których akcesorium tnące może zetknąć się z ukrytym okablowaniem.** Zetknięcie się osprzętu tnącego z przewodem pod napięciem może sprawić, że odsłonięte metalowe części narzędzia również będą pod napięciem i spowodować porażenie operatora prądem.
- **Trzymać dłonie z dala od zakresu pracy brzeszczota.** Nie sięgać pod obrabiany element. Kontakt z brzeszczotem może prowadzić do obrażeń ciała.
- **Przykładać maszynę do obrabianego elementu tylko wtedy, gdy jest włączona.** W przeciwnym razie istnieje ryzyko odrzucenia maszyny po utknięciu brzeszczota w obrabiany element.
- **Uważać, aby płyta podstawy spoczywała pewnie na materiale podczas piłowania.** Zablokowany brzeszczot może pęknąć lub spowodować odskoczenie narzędzia.
- **Po zakończeniu piłowania wyłączyć maszynę, a następnie wyjąć brzeszczot z cięcia, dopiero gdy się zatrzyma.** W ten sposób można uniknąć odrzutu i bezpiecznie odłożyć maszynę.
- **Używać wyłącznie nieuszkodzonych brzeszczotów w idealnym stanie.** Zgięte lub stępione brzeszczoty mogą pękać, negatywnie wpływać na jakość cięcia lub prowadzić do odrzutu.
- **Nie hamować brzeszczota do zatrzymania**

**poprzez naciskanie na brzeszczot z boku po wyłączeniu.** Brzeszczot może ulec uszkodzeniu, pęknąć lub spowodować odrzut.

- **Użyć odpowiednich detektorów do sprawdzenia, czy w miejscu pracy nie znajdują się ukryte kable elektryczne/rury wodne/gazowe lub skontaktować się z lokalnym dostawcą energii/wody/gazu w celu uzyskania pomocy. Kontakt z kablem elektrycznym może prowadzić do pożaru i porażenia prądem.** Uszkodzenie rury z gazem może prowadzić do wybuchu. Przebicie rury z wodą spowoduje uszkodzenie mienia.
- **Zamocować obrabiany element.** Obrabiany element zaciśnięty zaciskami lub w imadle jest zamocowany mocniej niż trzymany ręką.
- **Przed odłożeniem maszyny zawsze poczekać na jej całkowite zatrzymanie.** Końcówka narzędziowa może utknąć i doprowadzić do utraty panowania nad elektronarzędziem.
- **Użyć zacisków lub innego praktycznego sposobu do przymocowania obrabianego elementu do stabilnego podłoża i jego podparcia.** Trzymanie obrabianego elementu ręką lub opieranie go o ciało powoduje jego niestabilność, co może prowadzić do utraty panowania nad narzędziem.

#### **OSTRZEŻENIA DOTYCZĄCE AKUMULATORA**

- a) **Nie otwierać akumulatora.** Ryzyko zwarcia.
- b) **Chronić akumulator przed gorącem, np. długotrwałym silnym nasłonecznieniem, ogniem, wodą i wilgocią.** Ryzyko wybuchu.
- c) **W razie uszkodzenia i błędnego użytkowania akumulatora, może dojść do emisji oparów. Przewietrzyć miejsce emisji i uzyskać pomoc lekarską w razie dolegliwości.** Opary mogą powodować podrażnienie układu oddechowego.
- d) **Używać akumulatora wyłącznie w połączeniu z produktem marki Vonroc.** Takie postępowanie chroni akumulator przed niebezpiecznym przeciążeniem.
- e) **Akumulator może zostać uszkodzony przez ostro zakończone przedmioty, jak gwoździe lub wkręta, albo przez uderzenie z zewnątrz.** Może dojść do wewnętrznego zwarcia i akumulator może zacząć się palić, dymić, wybuchnąć lub przegrzać się.

#### **OSTRZEŻENIA DOTYCZĄCE ŁADOWARKI**

##### **Przeznaczenie**

Za pomocą ładowarki ładować wyłącznie akumulatory typu CD801AA i CD803AA. Baterie mogą pękać,

powodując obrażenia ciała i uszkodzenia mienia.

- a) **Urządzenie nie jest przeznaczone do użytku przez osoby (w tym dzieci) o ograniczonych zdolnościach fizycznych, czuciowych lub umysłowych albo nie posiadające doświadczenia i wiedzy, chyba że zostały one odpowiednio poinstruowane i są pod nadzorem.**
- b) **Dzieciom nie wolno pozwalać bawić się urządzeniem.**
- c) **Nie ładować zwykłych baterii!**
- d) **Podczas ładowania akumulatory muszą znajdować się w dobrze wentylowanym miejscu!**

## 2. INFORMACJE O MASZYNI

### Przeznaczenie

Maszyna jest przeznaczona do wycinania drewna, metalu, tworzyw sztucznych, ceramiki, gumy itp. w dowolny wybrany kształt i w dowolnym rozmiarze. Podczas wycinania płyta podstawy musi spoczywać na obrabianym elemencie. Należy zawsze używać właściwego brzeszczota.

### DANE TECHNICZNE



*Niniejsza instrukcja dotyczy różnych zestawów/numerów artykułów. Sprawdzić odpowiedni numer artykułu w poniższej tabeli, aby uzyskać informacje na temat zawartości zestawu.*

Nr modelu	Baterie w komplecie	Ładowarka w komplecie
<b>JS504DC</b>	-	-
<b>S_JS504DC</b>	CD801AA	CD802AA
<b>S2_JS504DC</b>	2 x CD801AA	CD802AA
<b>S3_JS504DC</b>	CD803AA	CD802AA
<b>S4_JS504DC</b>	CD801AA	CD802AA

Informacje o maszynie	
Napięcie znamionowe	20V
Obroty bez obciążenia	1000-2300/min
Skok piły	17,5mm
Maks. głębokość piłowania drewna 0°	65mm
Maks. głębokość piłowania stali 0°	8mm

Ciężar	1,40 kg
Ciśnienie akustyczne LPA	86,0 dB(A), K=5dB(A)
Moc akustyczna LWA	97,0 dB(A), K=5dB(A)
Drgania „piłowanie blachy”	6,537 m/s <sup>2</sup> K=1,5 m/s <sup>2</sup>
Drgania „piłowanie sklejki”	7,317 m/s <sup>2</sup> K=1,5 m/s <sup>2</sup>

<b>Nr modelu</b>	<b>CD801AA</b>
Typ akumulatora	Litowo-jonowy
Napięcie	20V
Pojemność	2.0 Ah
Zalecana ładowarka	CD802AA
Ciężar	0.3 kg

<b>Nr modelu</b>	<b>CD802AA</b>
Parametry wejściowe ładowarki	220-240V, 50Hz 0.4A
Parametry wyjściowe ładowarki	21V  2.5A
Czas ładowania akumulatora 2 Ah	60 minutes
Czas ładowania akumulatora 4 Ah	120 minutes
Recommended batteries	CD801AA, CD803AA
Ciezar	0.36 kg

<b>Nr modelu</b>	<b>CD803AA</b>
Typ akumulatora	Litowo-jonowy
Napięcie	20V
Pojemność	4,0 Ah
Zalecana ładowarka	CD802AA
Ciężar	0,65 kg

Akumulatory należące do platformy VONROC POWER 20 V można stosować we wszystkich narzędziach z platformy VONROC POWER 20 V.

CD801AA 20V, 2Ah Litowo-jonowy  
CD803AA 20V, 4Ah Litowo-jonowy

Następującej ładowarki można używać do ładowania tych akumulatorów.

CD802AA Szybka ładowarka

Akumulatory należące do platformy VONROC POWER 20 V można stosować we wszystkich narzędziach z platformy VONROC POWER 20 V.

### Poziom drgań

Poziom emisji drgań podany w tej instrukcji obsługi został zmierzony zgodnie ze standaryzowanym testem podanym w normie EN 62841; może on służyć do porównywania narzędzi ze sobą oraz do wstępnego oszacowania ekspozycji na drgania podczas użytkowania narzędzia do podanych zastosowań.

- używanie narzędzia do innych zastosowań lub z innymi lub źle konserwowanymi akcesoriami może znacząco zwiększać poziom ekspozycji.
- okresy, gdy narzędzie jest wyłączone lub okresy, gdy jest włączone, ale nie pracuje, mogą znacząco zmniejszać poziom ekspozycji.

Chronić się przed wpływem drgań, konserwując odpowiednio narzędzie i akcesoria, utrzymując ciepłotę dłoni oraz odpowiednio organizując pracę.

### OPIS

Liczby w tekście odnoszą się do rysunków na Stronach 2-4.

1. Włacznik
2. Przełącznik dmuchawy do pyłu
3. Główny uchwyt
4. Przycisk odblokowania akumulatora
5. Bateria
6. Przełącznik trybu wahadłowego
7. Podziałka kąta cięcia ukosowego
8. Adapter odsysania
9. Płyta podstawy
10. Wałek prowadnicy
11. Uchwyt pomocniczy
12. Osłona
13. Dźwignia zaciskająca
14. Śruba motylkowa prowadnicy równoległej
15. Klucz imbusowy
16. Uchwyt
17. Tarcza
18. Śruba płyty podstawy
19. Prowadnica równoległa
20. Pokrętko regulacji prędkości
21. Oznaczenie cięcia
22. Pokrywa płyty podstawy
23. Przycisk diod LED akumulatora
24. Diody LED akumulatora
25. Ładowarka
26. Diody LED ładowarki

## 3. MONTAŻ



Przed rozpoczęciem jakichkolwiek prac dotyczących elektronarzędzia, wyjąć akumulator.



Zawsze wyjmować akumulator przed zamocowaniem akcesorium

### Wkładanie akumulatora do narzędzia (Rys. A, G)



Dopilnować, aby zewnętrzna powierzchnia akumulatora była czysta i sucha przed podłączeniem do ładowarki lub narzędzia.

1. Włożyć akumulator (5) w podstawę narzędzia, zgodnie z Rys. G.
2. Wcisnąć akumulator dalej, aż zatrzaśnie się w poprawnym położeniu.

### Wymywanie akumulatora z narzędzia (Rys. A, G)

1. Wcisnąć przyciski odblokowania akumulatora (4)
2. Wyjąć akumulator z narzędzia zgodnie z Rys. G

### Sprawdzanie stanu naładowania akumulatora (Rys. J)

- Aby sprawdzić stan naładowania akumulatora, wcisnąć przycisk (23) na akumulatorze na chwilę.
- Akumulator ma 3 diody informujące o poziomie naładowania. Im więcej świeci dioda, tym wyższy poziom naładowania akumulatora.
- Jeśli diody nie świecą, oznacza to, że akumulator jest rozładowany i wymaga niezwłocznego naładowania.

### Ładowanie akumulatora (ładowarką) (Rys. J)

1. Wyjąć akumulator (5) z narzędzia.
2. Ustawić akumulator (5) spodem do góry i wsunąć go na ładowarkę (25) zgodnie z Rys. J.
3. Wcisnąć akumulator do oporu do gniazda.
4. Podłączyć ładowarkę do gniazdzka i poczekać chwilę. Dioda LED na Akumulator (26) zaświeci się, informując o stanie ładowania.

### Akumulator jest wyposażona w 2 diodę LED (26), informującą o stanie procesu ładowania:

Stan czerwonej diody LED	Stan zielonej diody LED	Stan ładowarki
Wył.	Wył.	Brak zasilania
Wył.	Wł.	Tryb gotowości: - Nie włożono akumulatora lub - Włożono akumulator, ale ładowanie zostało zakończone
Wł.	Wył.	Ładowanie akumulatora w toku

- Całkowite naładowanie akumulatora 2Ah może trwać do 60 minut.
- Całkowite naładowanie akumulatora 4Ah może trwać do 120 minut.

Po całkowitym naładowaniu akumulatora wyjąć wtyczkę ładowarki z gniazdka i wyjąć akumulator z ładowarki.



*Kiedy narzędzie nie jest używane przez długi okres, najlepiej przechowywać akumulator w stanie naładowanym.*

#### Wymiana tarczy (Rys. A, B)



*Podczas montażu tarczy nosić rękawice ochronne. Ryzyko obrażeń ciała w wyniku dotknięcia tarczy pilarki.*



*Używać wyłącznie tarcz zgodnych z danymi technicznymi podanymi w instrukcji.*

#### Montaż brzeszczota



*Dopilnować, aby uchwyt brzeszczota był wolny od resztek materiału (np. drewnianych lub metalowych wiórów)*

1. Obrócić dźwignię zaciskającą (13) do oporu w lewo i zatrzymać ją w tym położeniu.
2. Włożyć brzeszczot w uchwyt (16). Sprawdzić, czy brzeszczot jest mocno zamocowany i jego zęby są skierowane w kierunku cięcia.
3. Puścić dźwignię zaciskającą. Sprawdzić, czy tył brzeszczota jest umieszczony pośrodku rolki prowadzącej (10).

Dopilnować stosowania brzeszczota dopasowanego do obrabianego materiału. Do maszyny dołączony jest brzeszczot do drewna z dużymi zębami i brzeszczot do metalu i tworzyw sztucznych z małymi zębami.

#### Zdejmowanie brzeszczota

1. Obrócić dźwignię zaciskającą (13) do oporu w lewo i zatrzymać ją w tym położeniu.
2. Wyjąć brzeszczot z uchwytu (16).
3. Puść pierścien zaciskający

#### Montaż prowadnicy równoległej (Rys. C)

1. Poluzować śruby motylkowe (14).
2. Zamontować prowadnicę równoległą (19) na płycie podstawy (9).
3. Ustawić żądaną szerokość cięcia z użyciem podziałki na prowadnicy równoległej (19) i oznaczenia cięcia na płycie podstawy (21). Oznaczenie cięcia (21) oznacza położenie brzeszczota.
4. Dokręcić śrubę motylkową (14).

## 4. OBSŁUGA

#### Włączanie i wyłączanie narzędzia (Rys. A)

- Aby włączyć maszynę, pchnąć przełącznik naprzód, a następnie wcisnąć włącznik (1).
- Aby wyłączyć maszynę, zwolnić włącznik (1).

#### Ustawianie prędkości (Rys. A)

Do ustawiania prędkości służy pokrętko regulacji prędkości. Idealna prędkość zależy od profilu oraz zębów brzeszczota, a także od rodzaju ciętego materiału.



*Nie należy ustawiać prędkości podczas pracy urządzenia.*

Przekręcić pokrętko regulacji prędkości (20) w wymaganą pozycję.

- W przypadku cięcia twardych materiałów, należy używać brzeszczot z delikatnymi zębami oraz wybrać małą prędkość cięcia.
- W przypadku miękkich materiałów, należy używać brzeszczot z grubymi zębami oraz wybrać dużą prędkość cięcia.

#### Regulacja kąta cięcia skośnego (Rys. A, D)

1. Poluzować śrubę (18) kluczem imbusowym (15).



- Przestawić płytę podstawy (9) w żądane położenie (0°- 45°). Kąt piłowania (cięcia skośnego) można odczytać na podziałce (7).
- Dokręcić śrubę (18) kluczem imbusowym (15).

### Regulacja ruchu wahadłowego (Rys. A)

Włącznik ruchu wahadłowego służy do regulacji sposobu, w jaki zęby brzeszczota wgrzają się w materiał. Przełącznik ruchu wahadłowego można ustawić na jedno z 4 położeń:

- 0 - Brak ruchu wahadłowego
- 1 - Niewielki ruch wahadłowy
- 2 - Średni ruch wahadłowy
- 3 - Duży ruch wahadłowy

Wymagane ustawienie ruchu wahadłowego można stwierdzić w praktyce, ale zalecamy przestrzeganie poniższych zaleceń:

- Miękki materiał (drewno, tworzywo sztuczne itp.): ustawić ruch wahadłowy na II lub III. Aby uzyskać bardziej precyzyjne i czyste cięcie, użyć ustawienia ruchu wahadłowego 0 lub I.
- Do cienkich materiałów użyć ustawienia ruchu wahadłowego 0.
- Twarde materiały (stal itp.): ustawić ruch wahadłowy na 0.
- Krzywe: ustawić ruch wahadłowy na 0.

### Piłowanie wgłębne (Rys. H)

Piłowanie wgłębne można stosować wyłącznie do materiałów miękkich, jak drewno, gazobeton, płyta gipsowo-kartonowa itp. Wymaga to jednak pewnej wprawy i jest możliwe wyłącznie w połączeniu z krótkimi brzeszczotami.

- Umieścić piłę na obrabianym przedmiocie i włączyć ją.
- Dopilnować, aby dolna krawędź płyty podstawy spoczywała na powierzchni obrabianego elementu zgodnie z rysunkiem H.
- Powoli wcinać się piłą w obrabiany element pod kątem, przesuwając piłę do położenia pionowego, a następnie piłować dalej wzdłuż linii cięcia.
- Wyłączyć piłę i unieść ją z obrabianego elementu po zakończeniu pracy.

### Odsysanie pyłu (rys. E)

- Włożyć adapter odkurzacza (8) w złącze odsysania pyłu.
- Podłączyć wąż odkurzacza do adaptera odkurzacza (8).

**Uwaga:** funkcja dmuchawy do pyłu musi zostać dezaktywowana w przypadku korzystania z odkurzacza.

### Funkcja dmuchawy do pyłu (rys. I)

Linia tnąca może zostać oczyszczona z resztek materiału i zanieczyszczeń poprzez zastosowanie funkcji dmuchawy do pyłu.

- Aby włączyć funkcję dmuchawy do pyłu, przestawić przełącznik dmuchawy do pyłu (2) w dół.
- W celu wyłączenia funkcji dmuchawy do pyłu, przesunąć przełącznik dmuchawy do pyłu (2) do góry.

### Optymalne stosowanie

- Zaciśnąć obrabiany element. Używać urządzenia ściskającego (np. imadła) do małych obrabianych przedmiotów.
- Narysować linię, aby określić kierunek prowadzenia brzeszczota.
- Mocno trzymać maszynę za uchwyt.
- Ustawić prędkość piłowania.
- Ustawić kąt cięcia skośnego.
- Włączyć maszynę.
- Poczekać, aż maszyna osiągnie maksymalne obroty.
- Przyłożyć stopę narzędzia do obrabianego elementu.
- Powoli przesuwając maszynę wzdłuż narysowanej wcześniej linii, mocno dociskając stopę narzędzia do obrabianego elementu.
- Nie naciskać maszyny za mocno. Pozwolić jej wykonać swoją pracę.
- Wyłączyć maszynę i poczekać, aż całkowicie się zatrzyma przed jej odłożeniem.

## 5. KONSERWACJA



*Przed rozpoczęciem czyszczenia i konserwacji zawsze wylaczac maszyne i wyjmowac z niej akumulator.*

Czyścić obudowę maszyny regularnie miękką ściereczką, najlepiej po każdym użyciu. Dopilnować, aby otwory wentylacyjne były wolne od pyłu, kurzu i zabrudzeń. Usuwać odporne zabrudzenia miękką ściereczką zwilżoną mydlinami. Nie używać żadnych rozpuszczalników, takich jak benzyna, alkohol, amoniak itp. Takie substancje chemiczne spowodują uszkodzenie części z tworzyw sztucznych.

## SRODOWISKO



Uszkodzone i/lub niepotrzebne urządzenia elektryczne lub elektroniczne podlegają zbiórce w odpowiednich punktach recyklingu.

### Tylko kraje WE

Nie wyrzucac elektronarzedzi wraz z odpadami z gospodarstw domowych. Zgodnie z dyrektywa 2012/19/WE dotyczaca zuzytych urzadzen elektrycznych i elektronicznych oraz jej wdrozeniem do prawodawstwa krajowego, elektronarzedzia, które juz nie nadaja sie do uzytku, podlegaja oddzielnej zbiórce oraz utylizacji w sposób przyjazny dla srodowiska.

## GWARANCJA

Produkty VONROC są wytwarzane zgodnie z najwyższymi standardami jakości i producent udziela gwarancji na wady materiałowe i wady wykonania na okres wymagany prawem, licząc od dnia zakupu. Jeśli wystąpi usterka produktu w tym okresie spowodowana wadą materiałową i/lub wadą wykonania, proszę bezpośrednio skontaktować się ze sprzedawcą VONROC.

Następujące okoliczności powodują unieważnienie gwarancji:

- Przeprowadzono naprawy lub modyfikacje narzędzia w serwisie innym lub autoryzowany lub podjęto ich próbe;
- Normalne zużycie nie jest objęte gwarancją;
- Narzędzie było używane niezgodnie z przeznaczeniem, źle z nim się obchodzono lub było nieprawidłowo konserwowane;
- Użyto części zamiennych innych niż oryginalne.

Niniejsza gwarancja to wyłączna gwarancja producenta i nie obowiązują żadne inne wyrażone ani dorozumiane gwarancje. Nie obowiązują żadne inne wyrażone ani dorozumiane gwarancje o zakresie przekraczającym niniejszą gwarancję, co obejmuje dorozumiane gwarancje przydatności do sprzedaży i przydatności do określonego celu. W żadnym przypadku firma VONROC nie ponosi odpowiedzialności za straty przypadkowe lub wynikowe. Zadośćuczynienie sprzedawcy jest ograniczone do naprawy lub wymiany niezgodnych urządzeń lub części.

**Produkt i instrukcja obsługi podlegają zmianom. Dane techniczne podlegają zmianom bez uprzedzenia.**

## 1. INSTRUCȚIUNI DE SIGURANȚĂ

Citiți avertizările de siguranță, avertizările de siguranță suplimentare și instrucțiunile. Nerespectarea avertizărilor de siguranță poate cauza producerea de electrocutări, incendii și/sau răniri grave. Păstrați avertizările de siguranță și instrucțiunile pentru referințe viitoare.

În manualul de utilizare sau pe produs se utilizează următoarele simboluri:



Citiți manualul de utilizare.



Indică riscul de rănire personală, pierderea vieții sau deteriorarea încălzitorului în cazul în care nu se respectă instrucțiunile din acest manual.



Turație variabilă electronică.



Purtați ochelari de protecție.  
Purtați protecții antifonice.



Purtați o mască anti-praf.



Siguranta fuzibila cu timp de intarziere.



Temperatura maxima 45 °C.



Nu aruncati bateria in foc.



Nu aruncati bateria in apa.



Colectare separata pentru bateria Li-ion.



Produsul este în conformitate cu standardele de siguranță aplicabile din directivele europene.

### REGULI GENERALE DE PROTEȚIA MUNCII

**AVERTISMENT! Citiți toate avertizările de siguranță și toate instrucțiunile.** Respectarea tuturor instrucțiunilor prezentate în cele ce urmează este obligatorie pentru evitarea riscurilor de electrocutare, incendiu și/sau de vătămări grave.

### Păstrați aceste instrucțiuni.

Termenul "sculă electrică" ce apare în toate avertismentele de mai jos se referă la scula electrică

alimentată la priză (prin cablu de alimentare) sau la scula electrică alimentată prin acumulatori (fără cablu de alimentare).

### 1) Spațiul de lucru

- a) **Mențineți spațiul de lucru curat și bine iluminat.** Spațiile de lucru dezordonate și întunecate predispun la accidente.
- b) **Nu utilizați sculele electrice în medii explozive, ca de exemplu în prezența unor materiale inflamabile cum ar fi lichide, gaze sau praf.** Sculele electrice produc scântei, care pot aprinde praful sau vaporii.
- c) **În timpul lucrului cu o sculă electrică, nu lăsați copiii sau privitorii să se apropie.** Micșorarea atenției vă poate face să pierdeți controlul.

### 2) Securitatea din punct de vedere electric

- a) **Ștecherile sculelor electrice trebuie să se potrivească în priza de alimentare. Nu modificați ștecherul niciodată și în nici un fel. Nu folosiți ștechere de adaptare pentru sculele electrice cu legare la pământ (împământate).** Ștecherele nemodificate și prizele de alimentare corespunzătoare vor reduce riscul de electrocutare.
- b) **Evitați contactul corporal cu suprafețele împământate, cum ar fi conducte, radiatoare, plite sau frigider.** Există un risc sporit de electrocutare în cazul în care corpul dumneavoastră este legat la pământ.
- c) **Nu expuneți sculele electrice la ploaie sau la umezeală.** În urma intrării apei într-o sculă electrică va crește riscul de electrocutare.
- d) **Nu forțați cablul de alimentare. Nu folosiți niciodată cablul de alimentare pentru transportul, tragerea sau scoaterea din priză a sculei electrice. Țineți cablul de alimentare departe de sursele de căldură, petrol, vârfuri ascuțite sau de piese în mișcare.** Cablurile de alimentare deteriorate sau încălcite duc la creșterea riscului de electrocutare.
- e) **Atunci când folosiți o sculă electrică în exterior, utilizați un prelungitor corespunzător lucrului în exterior.** Utilizarea unui prelungitor corespunzător lucrului în exterior reduce riscul de electrocutare.
- f) **În cazul în care operarea unei unelte electrice într-un spațiu cu umiditate nu poate fi evitată, utilizați o alimentare cu dispozitiv de protecție la curent rezidual (RCD).** Utilizarea unui dispozitiv RCD reduce riscul electrocutării.

### 3) Securitatea personală

- a) **Atunci când folosiți o sculă electrică fiți concentrat, fiți atent la ceea ce faceți și acționați conform bunului simț. Nu folosiți o sculă electrică atunci când sunteți sub influența drogurilor, alcoolului sau a medicamentelor.** Un moment de neatenție în timpul utilizării sculelor electrice poate duce la vătămări personale grave.
- b) **Utilizați echipamentul de protecție corporală. Folosiți întotdeauna ochelari de protecție.** Folosirea echipamentelor de protecție conform condițiilor de lucru, ca de exemplu măști de praf, încălțăminte de protecție anti-alunecare, căști de protecție sau antifoane va reduce vătămrile personale.
- c) **Evitați pornirea accidentală. Înainte de a introduce scula electrică în priza de alimentare, asigurați-vă că aveți comutatorul de acționare în poziția oPRit (off).** Transportarea uneltelor electrice ținând degetul pe întrerupător sau alimentarea cu tensiune a uneltelor electrice ce au întrerupătorul în poziția pornit înlesnesc producerea.
- d) **Înainte de a pune în funcțiune scula electrică, îndepărtați toate penele sau cheile de reglare.** O cheie sau o pană care au fost lăsate atașate de o parte rotativă a sculei electrice poate duce la vătămări personale.
- e) **Nu vă întindeți pentru a ajunge la punctul de lucru.** Mențineți permanent un contact ferm al piciorului și un echilibru stabil. În acest fel puteți controla mai bine scula electrică în situații neprevăzute.
- f) **Îmbrăcați-vă în mod adecvat. Nu purtați haine largi sau bijuterii. Părul, hainele și mânușile trebuie menținute departe de părțile în mișcare.** Hainele largi, părul și bijuteriile pot fi agățate și prinse de părțile în mișcare.
- g) **Dacă dispozitivele sunt construite pentru a fi conectate la echipamente de extragere și colectare a prafului, asigurați-vă că aceste echipamente sunt conectate și funcționează corect.** Folosirea unor astfel de echipamente poate reduce pericolele legate de praf.
- h) **Nu lăsați ca obișnuința obținută prin utilizarea frecventă a uneltelor să vă permită să deveniți impasibil și să ignorați principiile de siguranță în utilizarea uneltelor.** O acțiune neglijentă poate provoca accidente grave într-o fracțiune de secundă.

- 4) Utilizarea și întreținerea sculei electrice**
- a) **Nu forțați scula electrică. Folosiți scula electrică adecvată operațiunii care trebuie efectuată.** O sculă electrică adecvată își va efectua mai bine și mai în siguranță sarcina deoarece este folosită la parametrii pentru care a fost proiectată.
  - b) **Nu folosiți scula electrică în cazul în care comutatorul de acționare nu realizează pornirea și oprirea acesteia.** Orice sculă electrică ce nu poate fi comandată cu ajutorul comutatorului de acționare este periculoasă și trebuie reparată.
  - c) **Înainte de a efectua orice fel de reglaje, schimbări ale accesoriilor sau pe perioada depozitării sculelor electrice deconectați ștecherul de la sursa de energie electrică.** Astfel de măsuri preventive reduc riscul de pornire accidentală a sculei electrice.
  - d) **Nu depozitați sculele electrice neutilizate la îndemâna copiilor și nu permiteți persoanelor care nu sunt familiare cu sculele electrice sau cu prezentele instrucțiuni să le utilizeze.** Sculele electrice sunt periculoase atunci când sunt utilizate de către persoane neinstruite.
  - e) **Întrețineți sculele electrice. Verificați alinierea sau prinderea părților în mișcare, verificați componentele sculei pentru a vă asigura că nu sunt sparte și, de asemenea, verificați orice alte situații care ar putea afecta funcționarea sculei electrice. Dacă scula electrică se defectează, reparați-o înainte de a o refolosi.** Sculele electrice întreținute necorespunzător duc la producerea multor accidente.
  - f) **Mențineți sculele așchietoare ascuțite și curate.** Sculele așchietoare întreținute corespunzător, având muchiile tăietoare ascuțite, se înțepenesc mai greu și sunt mai ușor de controlat.
  - g) **Utilizați sculele electrice, accesoriile și burghiile etc., în conformitate cu prezentele instrucțiuni și în mod corespunzător tipului de sculă electrică utilizat, ținând seama de condițiile de lucru și de sarcina care trebuie efectuată.** Utilizarea unor scule electrice pentru operații diferite de cele pentru care acestea au fost proiectate poate duce la situații periculoase.
  - h) **Țineți mânerul și suprafețele de prindere uscate, curate și lipsite de ulei și unsoare.** Mânere și suprafețele de prindere alunecoase nu permit manipularea și controlul uneltei în de siguranță în situații neașteptate.
- 5) Utilizarea și întreținerea uneltei cu acumulator**
- a) **Încărcați din nou numai cu încărcătorul specificat de producătorul.** Încărcătorul potrivit cu un tip de acumulator poate crea riscul incendiului dacă este utilizat cu un alt acumulator.
  - b) **Folosiți instrumentele electrice numai cu acumulatori proiectate specific.** Utilizarea oricărui alte acumulatori pot crea riscul accidentului personal și al incendiului.
  - c) **În timp ce acumulatorul nu este utilizat, feriți-l de alte obiecte metalice cum ar fi cleme de birou, monede, chei, cuie, șuruburi ori alte obiecte metalice mărunte care ar putea crea conexiunea de la un terminal până la celălalt.** Scurtcircuitarea terminalelor bateriei poate cauza arsuri sau incendiu.
  - d) **Ca urmare a folosirii necorespunzătoare, din acumulator se poate scurge lichid. Evitați contactul cu acesta. În caz de contact accidental, clătiți cu apă. Dacă lichidul intră în contact cu ochi, pe lângă măsurile amintite consultați și un medic.** Lichidul care se scurge din acumulator poate provoca iritarea pielii sau arsuri.
  - e) **Nu folosiți un acumulator sau o unealtă care este deteriorată sau modificată.** Acumulatorii deteriorați sau modificați pot avea un comportament imprevizibil care rezultă în foc, explozie sau risc de rănire.
  - f) **Nu expuneți acumulatorul sau unealta la foc sau temperatură excesivă.** Expunerea la foc sau temperaturi de peste 130 °C poate provoca explozie. OBSERVAȚIE Temperatura „130 °C” poate fi înlocuită cu temperatura „265 °F”.
  - g) **Respectați toate instrucțiunile de încărcare și nu încărcați acumulatorul sau unealta în afara intervalului de temperatură specificat în instrucțiuni.** Încărcarea necorespunzătoare sau la temperaturi în afara domeniului specificat poate deteriora acumulatorul și poate crește riscul de incendiu.
- 6) Service**
- a) **Prevedeți repararea uneltei de lucru de către o persoană calificată, folosind exclusiv piese de schimb identice.** Astfel, vă asigurați că este păstrată siguranța uneltei electrice.
  - b) **Niciodată nu serviți acumulatorii deteriorați.** Servisarea acumulatorilor ar trebui să fie efectuată numai de către producător sau furnizorii autorizați de service.

## AVERTIZĂRI DE SIGURANȚĂ PENTRU FIERĂSTRĂILE PENDULARE

- **Țineți unealta electrică de suprafețele izolate pentru prindere atunci când efectuați o operație în care accesoriile de debitare pot atinge cabluri ascunse.** Tăierea unui cablu sub tensiune de către accesoriul de debitat ar putea determina scurgerea curentului în componentele metalice expuse ale unelei electrice și ar putea electrocuta operatorul.
- **Țineți mâinile la distanță de spațiul de tăiere.** Nu băgați mâinile sub piesa de lucru. Contactul cu lama fierăstrăului poate duce la vătămări corporale.
- **Aplicați mașina pe piesa de lucru numai când aceasta este pornită.** În caz contrar, există pericolul de recul atunci când scula de tăiere se blochează în piesa de lucru.
- **Acordați atenție ca placa de bază să se sprijine sigur pe material în timpul tăierii.** O lamă de fierăstrău blocată se poate rupe sau duce la recul.
- **La finalizarea tăierii, opriți mașina și scoateți lama fierăstrăului din tăietură numai după oprire.** Astfel, puteți evita reculul și puteți pune deoparte mașina în siguranță.
- **Utilizați numai lame de fierăstrău nedeteriorate care sunt în stare perfectă.** Lamele de fierăstrău îndoite sau tocite se pot rupe, pot impacta negativ tăietura sau pot provoca recul.
- **Nu opriți lama fierăstrăului aplicând presiune laterală după oprire.** Lama de fierăstrău se poate deteriora, rupe sau poate cauza recul.
- **Utilizați detectoare adecvate pentru a determina dacă liniile de utilități sunt ascunse în zona de lucru sau pentru a solicita asistență companiei locale de utilități.** Contactul cu liniile electrice poate duce la incendii și șocuri electrice. Deteriorarea unei conducte de gaz poate duce la explozie. Penetrarea unei linii de apă provoacă daune materiale.
- **Fixați piesa de prelucrat.** O piesă de prelucrat prinsă în dispozitive de prindere sau într-o menghină este fixată mai sigur decât cu mâinile.
- **Întotdeauna așteptați până când mașina s-a oprit complet înainte de a o așeza jos.** Inserția sculei se poate bloca și poate duce la pierderea controlului asupra unelei electrice.
- **Utilizați clești sau o altă modalitate practică de a fixa și sprijini piesa de prelucrat pe o platformă stabilă.** Ținând piesa în mână sau

sprijinită de corp, aceasta va fi instabilă și poate conduce la pierderea controlului.

## AVERTISMENTE DE SIGURANȚĂ PENTRU BATERIE

- a) **Nu deschideți bateria.** Pericol de scurtcircuitare.
- b) **Protejați bateria împotriva căldurii, de ex. împotriva expunerii puternice la soare, foc, apă și umiditate.** Pericol de explozie.
- c) **În cazul deteriorării și utilizării necorespunzătoare a bateriei, pot fi emiși vapori. Ventilați zona și solicitați asistență medicală în caz de sesizări.** Vaporii pot irita sistemul respirator.
- d) **Utilizați bateria numai împreună cu produsul dvs. Vonroc.** Numai această măsură protejează bateria împotriva supraîncărcării periculoase.
- e) **Bateria poate fi deteriorată de obiecte ascuțite, cum ar fi cuie sau șurubelnițe sau prin forță aplicată exter.** Poate apărea un scurtcircuit intern și bateria poate arde, exploda sau supraîncălzi.

## AVERTISMENTE DE SIGURANȚĂ PENTRU STAȚII DE ÎNCĂRCARE

### Destinația de utilizare

Încărcați doar acumulatorii de tip CD801AA și CD803AA cu încărcătorul. Alte tipuri de acumulatori pot exploda provocând rănire personală și daune.

- a) **Această unealtă nu are voie să fie folosită de persoane (inclusiv copii) cu capacități fizice, senzoriale sau mentale reduse, sau de către persoane lipsite de experiență și cunoștințe, cu excepția cazului în care acestea au fost supravegheate și instruite.**
- b) **Nu lăsați copiii nesupravegheați să se joace cu aparatul.**
- c) **Nu reîncărcați bateriile ne-reîncărcabile!**
- d) **În timpul încărcării, acumulatorii trebuie amplasați într-o zonă bine ventilată!**

## 2. INFORMAȚII CU PRIVIRE LA MAȘINA

### Domeniul de utilizare

Mașina este destinată tăierii lemnului, metalului, materialelor plastice, ceramicii, cauciucului, la orice dimensiune și în orice formă necesară, păstrând placa de bază pe piesa de lucru. Trebuie utilizată întotdeauna o lamă de fierăstrău adecvată.

**SPECIFICAȚII TEHNICE**

Acest manual a fost realizat pentru diferite numere de seturi/articole. Verificați numărul articolului corespunzător în tabelul de specificații de mai jos pentru a vedea compoziția și conținutul exact al setului.

Nr. model	Baterii incluse	Încărcătoare incluse
<b>JS504DC</b>	-	-
<b>S_JS504DC</b>	CD801AA	CD802AA
<b>S2_JS504DC</b>	2 x CD801AA	CD802AA
<b>S3_JS504DC</b>	CD803AA	CD802AA
<b>S4_JS504DC</b>	CD801AA	CD802AA

**Informații cu privire la mașină**

Tensiune nominală	20V
Turație la mers în gol	1000-2300/min
Cursa lamei ferăstrăului	17,5mm
Grosime max. la debitarea lemnului 0°	65mm
Grosime max. la debitarea oșelului 0°	8mm
Greutate	1,40 kg
Nivelul presiunii sonore LPA	86,0 dB(A), K=5dB(A)
Nivelul puterii sonore LWA	97,0 dB(A), K=5dB(A)
Vibrații „tăierea tablei”	6,537 m/s <sup>2</sup> K=1,5 m/s <sup>2</sup>
Vibrații „tăierea placajului”	7,317 m/s <sup>2</sup> K=1,5 m/s <sup>2</sup>

Utilizați numai următoarele baterii ale platformei de baterii VONROC VPOWER 20V. Alte tipuri de acumulatori pot exploda provocând rănire personală și daune.  
 CD801AA 20V, 2Ah Lithiu-Ion  
 CD803AA 20V, 4Ah Lithiu-Ion

Utilizați numai următoarele încărcător pentru a încărca aceste baterii.  
 CD802AA Încărcător rapid

Bateriile platformei VONROC VPOWER 20V sunt interschimbabile cu toate uneltele VONROC VPOWER 20V.

**Nivelul vibrațiilor**

Nivelul emisiilor de vibrații menționat în acest manual de instrucțiuni a fost măsurat în conformi-

tate cu un test standardizat precizat în EN 62841; poate fi folosit pentru a compara o sculă cu alta și ca evaluare preliminară a expunerii la vibrații atunci când folosiți scula pentru aplicațiile menționate:

- utilizarea sculei pentru aplicații diferite sau cu accesorii diferite și prost întreținute, poate crește semnificativ nivelul de expunere;
- momentele în care scula este oprită sau când funcționează dar nu execută nicio lucrare, pot reduce semnificativ nivelul de expunere.

Protejați-vă împotriva efectelor vibrațiilor prin întreținerea sculei și a accesoriilor sale, păstrând mâinile calde și organizând procesele de lucru.

**DESCRIERE**

Numerele din text se refera la diagramele de la paginile 2-4.

1. Comutator pornire/oprire
2. Comutator suflantă praf
3. Mâner principal
4. Buton deblocare acumulator
5. Acumulator
6. Întrerupător pentru acțiunea de pendulă
7. Scală pentru unghi de teșire
8. Adaptor pentru aspirator
9. Placă de bază
10. Rolă de ghidare
11. Mâner auxiliar
12. Apărătoare
13. Manetă de prindere
14. Șuruburi flutute pentru ghidaj paralel
15. Cheie hexagonală
16. Mandrina
17. Pânza de ferăstrău
18. Șurub pentru placa de bază
19. Ghidaj paralel
20. Rotiță de reglare a vitezei
21. Marcaj de tăiere
22. Capacul plăcii de bază
23. Buton indicatori cu LED pentru acumulator
24. Indicatori acumulator LED
25. Încarcator
26. Indicatori LED încărcător

**3. ASAMBLAREA**

Înainte de orice lucrare asupra unelei, decuplați bateria.



*Inainte de prima utilizare, acumulatorul trebuie să fie încărcat.*

**Introducerea acumulatorului în mașină (Fig. A, G)**



*Asigurați-vă că exteriorul acumulatorului este curat și uscat înainte de a-l conecta la acumulator sau la mașină.*

1. Introduceți bateria (5) în suportul mașinii, așa cum este indicat în Fig. G.
2. Apăsați acumulatorul până când se fixează în poziție.

**Scoaterea acumulatorului din mașină (Fig. A, G)**

1. Apăsați butonul de deblocare a acumulatorului (4).
2. Trageți acumulatorul din mașină, așa cum este indicat în Fig. G.

**Verificarea nivelului de încărcare a acumulatorului (Fig. J)**

- Pentru a verifica nivelul de încărcare a acumulatorului, apăsați scurt butonul (23) de pe acumulator.
- Acumulatorul este prevăzut cu 3 lumini care indică nivelul de încărcare, numărul de lumini aprinse semnifică gradul de încărcare a bateriei.
- Atunci când luminile sunt stinse, acest lucru semnifică faptul că acumulatorul este descărcat și trebuie încărcat imediat.

**Încărcarea acumulatorului folosind încărcătorul (Fig. J)**

1. Scoateți acumulatorul (5) din mașină.
2. Întoarceți invers acumulatorul (5) și împingeți-l în încărcător (25), așa cum este indicat în Fig. J.
3. Apăsați acumulatorul până când este introdus complet în locaș.
4. Conectați mufa încărcătorului la o priză electrică și așteptați o perioadă. Indicatorii cu LED (26) de pe încărcător se vor aprinde și vor indica nivelul de încărcare.

**Încărcătorul are 2 indicatori LED (26), care indică nivelul procesului de încărcare:**

Nivel LED roșu	Nivel LED verde	Nivel de încărcare
Oprit	Oprit	Fără alimentare
Oprit	Pornit	Mod standby: - Nu este niciun acumulator introdus sau, - Acumulator introdus dar încărcarea s-a sfârșit
Pornit	Oprit	Încărcare acumulator în progres

- Încărcarea completă a acumulatorului de 2Ah poate dura până la 60 minute.
- Încărcarea completă a acumulatorului de 4Ah poate dura până la 120 minute.

După încărcarea completă a acumulatorului, scoateți mufa încărcătorului din priză și îndepărtați acumulatorul din încărcător.



*Atunci când nu folosiți mașina, este indicat să depozitați acumulatorul în stare încărcată.*

**Înlocuirea lamei de ferăstrău (Fig. A, B)**



*La montarea lamei de ferăstrău, purtați mănuși de protecție. Pericol de rănire atunci când atingeți lama ferăstrăului.*



*Utilizați numai lame care corespund datelor caracteristice din instrucțiunile de operare.*

**Montarea lamei de ferăstrău**



*Asigurați-vă că suportul lamei nu prezintă reziduuri de material (cum ar fi așchii de lemn sau metal).*

1. Rotiți maneta de prindere (13) cât mai mult posibil spre stânga și mențineți-o în această poziție.
2. Introduceți lama de fierăstrău în mandrină (16). Verificați dacă lama de fierăstrău este fixată în siguranță, iar dinții sunt îndreptați în direcția de tăiere.
3. Eliberați maneta de prindere. Verificați dacă spatele lamei de ferăstrău este poziționat în centrul rolei de ghidaj (10).

Asigurați-vă că utilizați lama adecvată pentru tipul de material respectiv. Alături de mașina este inclusă o lamă pentru tăiere grosieră pentru lemn și o lamă pentru tăiere fină pentru metal și plastic.

#### Îndepărtarea lamei de ferăstrău

1. Rotiți maneta de prindere (13) cât mai mult posibil spre stânga și mențineți-o în această poziție.
2. Scoateți lama de fierăstrău din mandrină (16).
3. Eliberați maneta de prindere.

#### Atașarea ghidajului paralel (Fig. C)

1. Slăbiți șuruburile fluture (14).
2. Montați ghidajul paralel (19) pe placa de bază (9).
3. Setați lățimea de tăiere dorită folosind indicatorul de pe ghidajul paralel (19) și marcajul de tăiere de pe placa de bază (21). Marcajul de tăiere (21) indică poziția lamei de ferăstrău.
4. Strângeți șurubul fluture (14).

## 4. OPERAREA

#### Pornirea/oprirea mașinii (Fig. A)

- Pentru a porni mașina, apăsați comutatorul de pornire/oprire (1).
- Pentru a opri mașina, eliberați comutatorul de pornire/oprire (1).

#### Fixarea vitezei de tăiere (Fig. A)

Rotița de reglare a vitezei este utilizată pentru fixarea vitezei de tăiere. Viteza de tăiere ideală diferă în funcție de profil și de dinții discului de ferăstrău și de materialul de prelucrat.



*Nu fixați viteza de tăiere în timpul utilizării mașinii.*

Învârtiți rotița de reglare a vitezei (20) la poziția dorită.

- Pentru materiale dure, utilizați un disc de ferăstrău cu dinți fini și selectați o viteză inferioară.
- Pentru materiale moi, utilizați un disc de ferăstrău cu dinți aspri și selectați o viteză superioară.

#### Reglarea unghiului înclinat (Fig. A, D)

1. Slăbiți șurubul (18) folosind cheia hexagonală (15).

2. Reglați placa de bază (9) în poziția dorită (0°-45°). Unghiul de tăiere (înclinația) poate fi citit pe indicator (7).
3. Strângeți șurubul (18) folosind cheia hexagonală (15).

#### Reglarea acțiunii de pendulare (Fig. A)

Comutatorul acțiunii de pendulare este utilizat pentru a seta modul în care dinții lamei de ferăstrău prind materialul. Comutatorul acțiunii de pendulare poate fi setat pe 4 poziții:

- 0 - Fără acțiune de pendulare
- 1 - Acțiune de pendulare mică
- 2 - Acțiune de pendulare medie
- 3 - Acțiune de pendulare mare

Acțiunea de pendulare necesară poate fi determinată prin testare practică, deși se pot respecta următoarele instrucțiuni:

- Material moale (lemn, materiale plastice etc.): setați pendularea la nivelul II sau III. Pentru o tăietură de ferăstrău mai fină și mai curată, utilizați nivelul de pendulare 0 sau I.
- Material subțire, folosiți nivelul de pendulare 0.
- Material dur (oțel etc.): setați pendularea la nivelul 0.
- Curbe: setați pendularea la nivelul 0.

#### Decuparea (Fig. H)

Decuparea se poate realiza numai pe materialele moi, cum ar fi lemn, beton aerat, plăci din gips, etc. Cu toate acestea, acest lucru necesită o anumită practică și este posibil numai cu lame de ferăstrău scurte.

1. Așezați fierăstrăul pe piesa de lucru și porniți-l.
2. Asigurați-vă că marginea inferioară a plăcii se sprijină pe suprafața piesei de lucru așa cum este indicat în Fig. H.
3. Începeți să tăiați încet în piesa de lucru la un unghi, deplasând fierăstrăul într-o poziție verticală și continuați să tăiați de-a lungul liniei de tăiere.
4. Opriți fierăstrăul și ridicați piesa de lucru la finalizarea sarcinii.

#### Extragerea prafului (Fig. E)

- Introduceți adaptorul aspiratorului (8) în racordul de aspirare a prafului.
- Conectați furtunul aspiratorului în adaptorul de aspirator (8).



**Notă:** funcția de suflare a prafului trebuie dezactivată atunci când folosiți un aspirator.

### Funcție de suflare a prafului (Fig. 1)

Folosind funcția de suflare a prafului, linia de tăiere poate fi păstrată fără așchii și rumeguș.

- Pentru a activa funcția de suflare a prafului, deplasați comutatorul suflantei de praf (2) în jos.
- Pentru a dezactiva funcția de suflare a prafului, deplasați comutatorul suflantei de praf (2) în sus.

### Sfaturi pentru utilizare optimă

- Fixați piesa de prelucrat. Utilizați un dispozitiv de fixare pentru piese de prelucrat mici.
- Trasați o linie pentru a defini direcția de ghidare a discului de ferăstrău.
- Țineți ferm mașina de mână.
- Fixați viteza de tăiere.
- Fixați unghiul de tăiere.
- Porniți mașina.
- Așteptați până când discurile se rotesc la viteza nominală.
- Amplasați talpa de ferăstrău pe piesa de prelucrat.
- Deplasați încet mașina de-a lungul liniei pretraseate apăsând ferm talpa de ferăstrău pe piesa de prelucrat.
- Nu aplicați o presiune excesivă asupra mașinii. Lăsați mașina să-și facă treaba.
- Opriți mașina și așteptați oprirea completă a discurilor înainte de a pune jos mașina.

## 5. ÎNȚEȚINERE



*Inainte de curățare și întreținere, opriți alimentarea electrică a mașinii și scoateți acumulatorul din mașină.*

Curățați regulat carcasa cu o cârpă moale, de preferat după fiecare utilizare. Curățați fantele de aerisire de praf și murdărie. Îndepărtați murdăria persistentă cu o cârpă moale înmuiată în clăbuci de săpun. Nu folosiți solvenți precum benzină, alcool, amoniac, etc. Astfel de substanțe chimice vor deteriora componentele sintetice.

## MEDIU



*Aparatele electrice sau electronice deteriorate și/sau defecte trebuie colectate în locurile de reciclare corespunzătoare.*

### Numai pentru țările din CE

Nu aruncați echipamentele acționate electric împreună cu gunoiul menajer. Conform Indicației europene 2012/19/EU pentru echipamente electrice și electronice uzate și a implementării sale la nivel național, echipamentele acționate electric scoase din uz trebuie colectate separat și evacuate într-o manieră ecologică.

## GARANȚIE

Produsele VONROC sunt realizate la cele mai înalte standarde de calitate și sunt garantate în privința materialelor și a manoperei pentru întreaga perioadă de utilizare în garanție, începând cu data achiziției. În cazul în care produsul se defectează în timpul perioadei de utilizare, contactați direct VONROC.

Următoarele circumstanțe sunt excluse de la această garanție:

- Reparațiile sau modificările care realizate sau care s-au încercat a fi efectuate de centre de service neautorizate.
- Uzura în condiții normale.
- Unealta care a fost abuzată, utilizată într-un mod neglijent sau întreținută în mod inadecvat.
- Folosirea unor piese de schimb neoriginale.

Aceasta acoperă garanția companiei, explicită sau implicită. Nu există alte garanții explicite sau implicite care să se extindă dincolo de cele indicate aici, incluzând garanțiile, vandabilitatea sau adecvarea pentru un anumit scop. În nicio situație, VONROC nu este responsabil pentru daunele incidentale sau consecvențiale. Reparațiile efectuate de reprezentant trebuie să fie limitate la reparațiile sau la înlocuirea unităților sau a pieselor neconforme.

**Produsul și manualul de utilizare pot suferi modificări. Specificațiile se pot modifica fără notificare prealabilă.**

## 1. INSTRUÇÕES DE SEGURANÇA

Leia os avisos de segurança fornecidos, os avisos de segurança adicionais e as instruções. O não cumprimento dos avisos de segurança e das instruções pode resultar em choque eléctrico, incêndio e/ou ferimentos graves. Guarde os avisos de segurança e as instruções para referência futura.

Os seguintes símbolos são utilizados no manual do utilizador ou no produto:



*Leia o manual do utilizador.*



*Indica o risco de ferimentos, morte ou danos na ferramenta se as instruções indicadas neste manual não forem seguidas.*



*Velocidade electrónica variável.*



*Use óculos de segurança.  
Use protecção auricular.*



*Use uma máscara de poeiras.*



*Fusível miniatura com desfasamento.*



*Temperatura máx. de 45 °C.*



*Não deite a bateria no fogo.*



*Não coloque a bateria dentro de água.*



*Recolha selectiva para bateria de iões de lítio.*



*O produto está em conformidade com as normas de segurança aplicáveis nas directivas europeias.*

### AVISOS GERAIS DE SEGURANÇA SOBRE FERRAMENTAS ELÉCTRICAS



**AVISO! Leia todos os avisos de segurança e instruções.** O não cumprimento dos avisos e das instruções pode resultar em choque eléctrico, incêndio e/ou ferimentos graves.

**Guarde todos os avisos e instruções para referência futura.**

O termo "ferramenta eléctrica" indicado nos avisos diz respeito à ferramenta eléctrica alimentada pela

rede de electricidade (com fio) ou à ferramenta eléctrica que funciona com baterias recarregáveis (sem fio).

#### 1) Segurança na área de trabalho

- Mantenha a área de trabalho limpa e devidamente iluminada.** As áreas obstruídas ou escuras são propícias a acidentes.
- Não utilize ferramentas eléctricas em atmosferas explosivas, por exemplo, na presença de líquidos inflamáveis, gases ou poeiras.** As ferramentas eléctricas produzem faíscas que podem causar ignição de poeiras ou vapores.
- Quando utilizar uma ferramenta eléctrica, mantenha as crianças e transeuntes afastados.** As distrações podem causar perda de controlo.

#### 2) Segurança eléctrica

- As fichas da ferramenta eléctrica devem corresponder à tomada. Nunca modifique, de forma alguma, a ficha. Não utilize quaisquer fichas adaptadoras com ferramentas eléctricas ligadas à terra (massa).** As fichas e tomadas correspondentes não modificadas reduzem o risco de choque eléctrico.
- Evite o contacto do corpo com superfícies ligadas à terra ou massa, como tubos, radiadores, fogões ou frigoríficos.** Há um maior risco de choque eléctrico se o corpo estiver ligado à terra ou à massa.
- Não exponha as ferramentas eléctricas à chuva ou a ambientes húmidos.** A entrada de água numa ferramenta eléctrica aumenta o risco de choque eléctrico.
- Não utilize o cabo de maneira abusiva. Nunca utilize o cabo para transportar, puxar ou desligar a ferramenta eléctrica. Mantenha o cabo afastado de fontes de calor, óleo, extremidades afiadas ou peças móveis.** Se os cabos estiverem danificados ou enrolados, há maior risco de choque eléctrico.
- Quando utilizar uma ferramenta eléctrica no exterior, opte por uma extensão adequada para utilização no exterior.** A utilização de um cabo adequado para utilização no exterior reduz o risco de choque eléctrico.
- Se não for possível evitar trabalhar com uma ferramenta eléctrica num local húmido, utilize uma fonte de alimentação protegida por um dispositivo de corrente residual (DCR).** A utilização de um DCR reduz o risco de choque eléctrico.

### 3) Segurança eléctrica

- a) **Esteja atento, preste atenção ao que está a fazer e tenha senso comum quando utilizar uma ferramenta eléctrica. Não utilize uma ferramenta eléctrica quando estiver cansado ou sob o efeito de drogas, álcool ou medicamentos.** Um momento de distração durante a utilização de ferramentas eléctricas pode resultar em ferimentos graves.
- b) **Use equipamento de protecção individual. Use sempre protecção ocular.** O equipamento de protecção, como, por exemplo, máscara de poeiras, sapatos de segurança antiderrapantes, capacete de segurança ou protecção auditiva, utilizado nas condições adequadas, reduz o risco de ferimentos.
- c) **Evite accionamentos acidentais. Assegure-se de que o gatilho está desligado antes de ligar a ferramenta à corrente eléctrica e/ou as baterias e antes de levantar ou transportar a ferramenta.** O transporte de ferramentas eléctricas com o dedo colocado no interruptor ou a ligação à corrente das ferramentas eléctricas com o interruptor ligado pode dar origem a acidentes.
- d) **Retire eventuais chaves de ajuste ou chaves de fendas antes de ligar a ferramenta eléctrica.** Uma chave de fenda ou de ajuste montada numa peça rotativa da ferramenta eléctrica pode causar ferimentos.
- e) **Não tente chegar a pontos fora do alcance. Mantenha-se sempre numa posição firme e bem equilibrada.** Desta forma, será mais fácil controlar a ferramenta eléctrica em situações inesperadas.
- f) **Use vestuário adequado. Não use roupa larga ou jóias. Mantenha o cabelo, a roupa e as jóias afastados das peças móveis.** As roupas largas, as jóias ou o cabelo comprido podem ficar presos nestas peças.
- g) **Se for prevista a montagem de dispositivos de extracção e recolha de poeiras, assegure-se de que estão ligados e que são utilizados de forma correcta.** A utilização de dispositivos de extracção de poeiras pode reduzir os riscos inerentes.
- h) **Não permita que a familiaridade obtida através do uso frequente de ferramentas faça com que seja complacente e ignore os princípios de segurança da ferramenta.** Uma acção irreflectida pode causar ferimentos graves numa fracção de segundos.

### 4) Utilização e cuidados a ter com a ferramenta com baterias

- a) **Não sobrecarregue a ferramenta eléctrica. Utilize a ferramenta eléctrica correcta para o seu trabalho.** A ferramenta eléctrica adequada efectua o trabalho de maneira mais eficiente e segura se for utilizada de acordo com a capacidade para a qual foi concebida.
- b) **Não utilize a ferramenta eléctrica se não conseguir ligar ou desligar o gatilho.** Qualquer ferramenta eléctrica que não possa ser controlada através do gatilho é perigosa e tem de ser reparada.
- c) **Retire a ficha da fonte de alimentação e/ou a bateria da ferramenta eléctrica, caso seja possível fazê-lo, antes de efectuar quaisquer ajustes, substituir acessórios ou guardar ferramentas eléctricas.** Estas medidas de segurança preventivas reduzem o risco de ligar a ferramenta eléctrica acidentalmente.
- d) **Mantenha as ferramentas eléctricas que não estiverem a ser utilizadas fora do alcance das crianças. Não permita que a ferramenta eléctrica seja utilizada por pessoas não familiarizadas com a mesma ou que não tenham lido estas instruções.** As ferramentas eléctricas são perigosas nas mãos de pessoas que não possuam as qualificações necessárias para manuseá-las.
- e) **Faça a manutenção das ferramentas eléctricas. Verifique se as peças móveis da ferramenta eléctrica estão alinhadas e não emperram, bem como se existem peças partidas ou danificadas ou quaisquer outras condições que possam afectar o funcionamento da mesma. Se a ferramenta eléctrica estiver danificada, esta só deve ser utilizada quando for reparada.** Muitos acidentes têm como principal causa ferramentas eléctricas com uma manutenção insuficiente.
- f) **Mantenha as ferramentas de corte afiadas e limpas.** As ferramentas de corte sujeitas a uma manutenção adequada, com arestas de corte afiadas, bloqueiam com menos frequência e controlam-se com maior facilidade.
- g) **Utilize a ferramenta eléctrica, os acessórios e as peças de ferramenta, etc., de acordo com estas instruções, considerando as condições de trabalho e a tarefa a ser executada.** A utilização da ferramenta eléctrica para fins diferentes dos previstos pode resultar em situações perigosas.
- h) **Mantenha as pegas e as superfícies de fixação secas, limpas e sem óleo e gordura.** As pegas escorregadias e as superfícies de fixação não

permitem o manuseamento seguro e o controlo da ferramenta em situações imprevistas.

#### 5) Utilização e cuidados a ter com a ferramenta com baterias

- a) **Recarregue apenas com o carregador especificado pelo fabricante.** Um carregador adequado para um tipo de bateria pode causar um incêndio se for utilizado com outra bateria.
  - b) **Utilize apenas ferramentas eléctricas que tenham baterias especificamente concebidas.** A utilização de outro tipo de baterias pode causar ferimentos e incêndio.
  - c) **Quando não utilizar a bateria, mantenha-a afastada de outros objectos metálicos, tais como cliques para papel, moedas, chaves, pregos, parafusos ou outros pequenos objectos metálicos que permitam fazer a ligação entre um terminal e outro.** O curto-circuito dos terminais da bateria pode causar queimaduras ou um incêndio.
  - d) **Em condições abusivas, pode derramar líquido da pilha, devendo evitar o contacto. Se tocar acidentalmente no líquido, lave bem com água. Se o líquido entrar em contacto com os olhos, consulte um médico.** O líquido derramado da bateria pode causar irritação ou queimaduras.
  - e) **Não utilize baterias ou ferramentas danificadas ou modificadas.** As baterias danificadas ou modificadas podem ter um comportamento inesperado, resultando em incêndio, explosão ou risco de ferimentos.
  - f) **Não exponha as baterias ou as ferramentas a fogo ou a temperaturas excessivas.** A exposição a fogo ou a temperaturas superiores a 130 °C podem causar uma explosão. NOTA: a temperatura "130 °C" pode ser substituída pela temperatura "265 °F".
  - g) **Siga todas as instruções de carregamento e não carregue a bateria ou ferramenta fora do intervalo de temperaturas especificado nas instruções.** O carregamento inadequado ou de acordo com temperaturas fora do intervalo especificado pode danificar a bateria e aumentar o risco de incêndio.
- #### 6) Assistência
- a) **A sua ferramenta eléctrica só deve ser reparada por pessoal qualificado e só devem ser utilizadas peças sobressalentes idênticas.** Desta forma, é garantida a segurança da ferramenta eléctrica.
  - b) **Nunca repare baterias danificadas.** A reparação de baterias deve ser efectuada apenas

pelo fabricante ou fornecedores de assistência autorizados.

#### AVISOS DE SEGURANÇA PARA SERRAS DE VAIVÉM

- **Segure na ferramenta eléctrica pelas superfícies de fixação isoladas quando efectuar uma operação em que o acessório de corte possa entrar em contacto com fios ocultos.** Um acessório de corte que entre em contacto com um fio sob tensão eléctrica pode fazer com que as peças de metal expostas da ferramenta conduzam electricidade e electrocitem o utilizador.
- **Mantenha as mãos afastadas do alcance da serra.** Nunca manuseie a parte inferior da peça de trabalho. O contacto com a lâmina da serra pode causar ferimentos.
- **Só deve colocar a máquina em contacto com a peça de trabalho depois de ligá-la.** Caso contrário, há o risco do efeito de recuo se a ferramenta de corte ficar encravada na peça de trabalho.
- **Quando estiver a serrar, a placa de base deve assentar com firmeza no material.** Uma lâmina de serra encravada pode partir-se ou causar efeito de recuo.
- **Quando o corte for concluído, desligue a máquina e depois puxe a lâmina da serra para fora da área de corte depois de parar por completo.** Assim, pode evitar o efeito de recuo e pode pousar a máquina em segurança.
- **Utilize apenas lâminas de serra não danificadas que estejam em perfeitas condições.** As lâminas de serra dobradas ou embotadas podem partir-se, o que pode afectar o corte ou causar o efeito de recuo.
- **Depois de desligar a ferramenta, não aplique uma pressão lateral para parar a rotação da lâmina da serra.** A lâmina da serra pode ficar danificada, partir-se ou causar o efeito de recuo.
- **Utilize detectores adequados para determinar se as linhas de abastecimento de energia estão ocultadas na área de trabalho ou contacte a empresa de serviços públicos para obter assistência.** O contacto com linhas eléctricas pode dar origem a um incêndio e choque eléctrico. Os danos numa conduta de gás podem dar origem a uma explosão. A perfuração de uma linha de água causa danos materiais.
- **Fixe a peça de trabalho.** É aconselhável apertar uma peça de trabalho com dispositivos de fixação ou num torno do que fazê-lo à mão.

- **Antes de pousar a máquina, aguarde sempre até esta parar por completo.** O suporte de ferramentas pode encravar e resultar em perda de controlo da ferramenta eléctrica.
- **Utilize grampos ou outro sistema para fixar e suportar a peça de trabalho numa plataforma estável.** Se segurar a peça de trabalho com a mão ou contra o corpo, a peça pode ficar instável e causar perda de controlo.

**AVISOS DE SEGURANÇA SOBRE A BATERIA**

- Não abra a bateria.** Perigo de curto-circuito.
- Proteja a bateria do calor, por exemplo, contra exposição contínua a luz solar, fogo, água e humidade.** Perigo de explosão.
- Em caso de danos e uso inadequado da bateria, podem ser emitidos vapores. Ventile a área e contacte um médico se houver queixas.** Os vapores podem irritar o sistema respiratório.
- Utilize a bateria apenas em conjunto com o seu produto da Vonroc.** Esta é a única protecção contra sobrecarga perigosa.
- A bateria pode ser danificada por objectos afiados, como pregos ou chaves de fendas ou se for aplicada força externa.** Pode ocorrer um curto-circuito interno e a bateria pode queimar, causar fumo, explodir ou sobreaquecer.

**AVISOS DE SEGURANÇA SOBRE O CARREGADOR**

**Utilização pretendida**

Deve utilizar apenas as baterias recarregáveis CD801AA e CD803AA no carregador. Outros tipos de baterias podem rebentar, causando ferimentos e danos.

- O equipamento não deve ser utilizado por pessoas (incluindo crianças) com capacidades físicas, sensoriais ou mentais reduzidas ou com falta de experiência e conhecimentos, a menos que tenham supervisão ou instrução.**
- As crianças devem ser vigiadas, porque não podem brincar com o equipamento.**
- Não recarregue baterias não recarregáveis!**
- Durante o carregamento, as baterias devem ser colocadas em locais bem ventilados!**

**2. INFORMAÇÕES SOBRE A MÁQUINA**

**Utilização pretendida**

A máquina foi concebida para serrar madeira, metal, plásticos, cerâmica, borracha, etc., para

qualquer tamanho necessário e qualquer forma pretendida, devendo manter a placa de base apoiada com firmeza sobre a peça de trabalho. Deve ser sempre utilizada uma lâmina de serra adequada.

**ESPECIFICAÇÕES TÉCNICAS**





*Este manual foi elaborado para conjuntos/ números de artigos diferentes. Verifique o número do artigo correspondente na tabela de especificações indicada abaixo para obter a composição e conteúdos correctos do seu conjunto.*

Modelo n.º	Baterias incluídas	Carregadores incluídos
JS504DC	-	-
S_JS504DC	CD801AA	CD802AA
S2_JS504DC	2 CD801AA	CD802AA
S3_JS504DC	CD803AA	CD802AA
S4_JS504DC	CD801AA	CD802AA

Informações sobre a máquina	
Tensão nominal	20 V
Sem velocidade de carga	1000 - 2300/min
Curso da serra	17,5 mm
Capacidade máx. de serragem em madeira de 0°	65 mm
Capacidade máx. de serragem em aço de 0°	8 mm
Peso	1,40 kg
Nível de pressão sonora LPA	86,0 dB(A), K = 5dB(A)
Nível de potência sonora LWA	97,0 dB(A), K = 5 dB(A)
Vibração em serragem de chapas metálicas	6,537 m/s <sup>2</sup> K = 1,5 m/s <sup>2</sup>
Vibração durante a serragem de madeira compensada	7,317 m/s <sup>2</sup> K = 1,5 m/s <sup>2</sup>

Modelo n.º	CD801AA
Tipo de bateria	lões de lítio
Tensão	20 V
Capacidade	2,0 Ah
Carregador recomendado	CD802AA
Peso	0,3 kg

Modelo n.º	CD802AA
Entrada do carregador	220 - 240 V, 50 Hz, 0,4 A
Saída do carregador	21 V  2,5 A
Tempo de carregamento de uma bateria de 2 Ah	60 minutos
Tempo de carregamento de uma bateria de 4 Ah	120 minutos
Baterias recomendadas	CD801AA, CD803AA
Peso	0,36 kg

Modelo n.º	CD803AA
Tipo de bateria	lões de lítio
Tensão	20 V 
Capacidade	4,0 Ah
Carregador recomendado	CD802AA
Peso	0,65 kg

Utilize apenas as seguintes baterias da plataforma de baterias VONROC VPOWER 20 V. A utilização de quaisquer outras baterias podem causar ferimentos graves ou danos na ferramenta.

CD801AA lões de lítio, 20 V, 2 Ah  
CD803AA lões de lítio, 20 V, 4 Ah

O seguinte carregador pode ser utilizado para carregar estas baterias.  
CD802AA Carregador rápido

As baterias da plataforma de baterias VPOWER de 20 V da VONROC podem ser utilizadas com todas as ferramentas da plataforma de baterias VPOWER de 20 V da VONROC.

#### Nível de vibração

O nível de emissão de vibrações indicado neste manual de instruções foi medido em conformidade com um teste padrão especificado pela norma EN 62841; pode ser utilizado para comparar ferramentas e como avaliação preliminar da exposição a vibrações quando utilizar a ferramenta para as aplicações indicadas.

- A utilização da ferramenta para aplicações diferentes, ou com acessórios diferentes ou com uma manutenção deficiente, pode aumentar consideravelmente o nível de exposição.

- O número de vezes que a ferramenta é desligada ou está ligada, mas não está a ser utilizada, pode reduzir significativamente o nível de exposição.

Proteja-se contra os efeitos da vibração, através de uma manutenção da ferramenta e dos respectivos acessórios, mantendo as mãos quentes e organizando os seus padrões de trabalho.

#### DESCRIÇÃO

Os números indicados no texto dizem respeito aos diagramas nas páginas 2 e 4.

1. Interruptor para ligar/desligar
2. Interruptor do soprador de poeiras
3. Pega principal
4. Botão de desbloqueio da bateria
5. Bateria
6. Interruptor de acção pendular
7. Régua para ângulo de bisel
8. Adaptador para aspirador
9. Placa da base
10. Rolo-guia
11. Pega auxiliar
12. Protecção
13. Alavanca de fixação
14. Parafuso de aletas para guia paralela
15. Chave sextavada
16. Mandril
17. Lâmina da serra
18. Parafuso para a placa de base
19. Guia paralela
20. Botão de ajuste da velocidade
21. Marca de corte
22. Tampa da placa de base
23. Botão dos indicadores LED da bateria
24. Indicadores LED da bateria
25. Carregador
26. Indicadores LED do carregador

### 3. MONTAGEM



*Retire a bateria antes de efectuar qualquer tarefa na ferramenta eléctrica.*



*A bateria deve ser carregada antes de utilizá-la pela primeira vez.*

**Inserir a bateria na máquina (Fig. A, G)**



Assegure-se de que o exterior da bateria está limpo e seco antes de ligá-lo ao carregador ou à máquina.

1. Insira a bateria (5) na base da máquina, como indicado na Fig. G.
2. Empurre a bateria ainda mais até encaixar no respectivo local.

**Retirar a bateria da máquina (Fig. A, G)**

1. Carregue na patilha de desbloqueio da bateria (4)
2. Retire a bateria da máquina, como indicado na Fig. G.

**Verificar o estado de carregamento da bateria (Fig. J)**

- Para verificar o estado de carga da bateria, carregue ligeiramente no botão (23) na bateria.
- A bateria tem 3 indicadores luminosos que indicam o nível de carga, quanto maior for o número de indicadores luminosos acesos, maior é a carga restante na bateria.
- Se os indicadores luminosos não se acenderem, isso significa que a bateria não tem carga e que deve carregá-la de imediato.

**Carregar a bateria com o carregador (Fig. J)**

1. Retire a bateria (5) da máquina.
2. Vire a bateria (5) ao contrário e encaixe-a no carregador (25), como indicado na Fig. J.
3. Empurre a bateria até estar totalmente encaixada na ranhura.
4. Ligue a ficha do carregador a uma tomada eléctrica e aguarde alguns instantes. Os indicadores LED no carregador (26) acendem-se e mostram o estado de carregador.

**O carregador tem 2 indicadores LED (26), que indicam o estado do processo de carregamento:**

Estado do LED vermelho	Estado do LED verde	Estado do carregador
Desligado	Desligado	Sem energia
Desligado	Ligado	Modo de espera: - A bateria não foi inserida ou - a bateria foi inserida, mas o carregamento foi concluído
Ligado	Desligado	Carregamento da bateria em curso

- O carregamento total da bateria de 2 Ah pode demorar até 60 minutos.
- O carregamento total da bateria de 4 Ah pode demorar até 120 minutos.

Quando a bateria estiver totalmente carregada, retire a ficha do carregador da tomada e retire a bateria do carregador.



Se não utilizar a máquina durante um período de tempo mais prolongado, é aconselhável armazenar a bateria no estado carregado.

**Substituir a lâmina da serra (Fig. A, B)**



Quando montar a lâmina da serra, use luvas de protecção. Há o risco de ferimentos se tocar na lâmina da serra.



Utilize apenas lâminas da serra que correspondam aos dados de características indicados nas instruções de funcionamento.

**Montar a lâmina da serra**



O suporte da lâmina não deve ter quaisquer resíduos de material (como, por exemplo, farras de madeira ou metal).

1. Rode a alavanca de fixação (13) o máximo possível para a esquerda e segure-a nesta posição.
2. Insira a lâmina da serra no mandril (16). Verifique se a lâmina da serra está bem fixada e que os dentes estão a apontar para a direcção de corte.
3. Liberte a alavanca de fixação. Verifique se a parte de trás da lâmina da serra está posicionada no centro do rolo-guia (10).

Deve utilizar a lâmina da serra do material correspondente. A máquina inclui uma lâmina de serra grossa para madeira e uma lâmina de serra fina para metal e plástico.

**Retirar a lâmina da serra**

1. Rode a alavanca de fixação (13) o máximo possível para a esquerda e segure-a nesta posição.
2. Retire a lâmina da serra do mandril (16).
3. Liberte a alavanca de fixação.

**Montar a guia paralela (Fig. C)**

1. Desaperte os parafusos de aletas (14).
2. Monte a guia paralela (19) na placa de base (9).

3. Regule a largura de corte pretendida com a régua na guia paralela (19) e a marca de corte na placa de base (21). A marca de corte (21) indica a posição da lâmina da serra.
4. Aperte o parafuso de aletas (14).

## 4. FUNCIONAMENTO

### Ligar/desligar a máquina (Fig. A)

- Para ligar a máquina, carregue no interruptor para a frente e carregue no interruptor para ligar/desligar (1).
- Para desligar a máquina, liberte o interruptor para ligar/desligar (1).

### Regular a velocidade (Fig. A)

O botão de regulação da velocidade (20) é utilizado para regular a velocidade. A velocidade adequada depende do perfil e dos dentes da lâmina da serra e do material no qual pretende trabalhar.



*Não regule a velocidade durante a utilização.*

Rode o botão de regulação da velocidade (20) para a posição pretendida.

- Para materiais duros, utilize uma lâmina de serra com dentes finos e seleccione uma velocidade mais baixa.
- Para materiais macios, utilize uma lâmina de serra com dentes grossos e seleccione uma velocidade mais elevada.

### Regular o ângulo de bisel (Fig. A, D)

1. Desaperte o parafuso (18) com a chave hexagonal (15).
2. Regule a placa de base (9) para a posição pretendida (0° a 45°). O ângulo de serragem (bisel) pode ser verificado na régua (7).
3. Aperte o parafuso (18) com a chave hexagonal (15).

### Regular a acção pendular (Fig. A)

O interruptor de acção pendular (6) é utilizado para regular a maneira como os dentes da lâmina da serra fixam o material. O interruptor de acção pendular pode ser regulado para 4 posições:

- 0 - Sem acção pendular
- 1 - Acção pendular ligeira
- 2 - Acção pendular média
- 3 - Acção pendular elevada

A acção pendular necessária pode ser determinada através de um ensaio, mas é necessário respeitar as seguintes instruções:

- Material macio (madeira, plásticos, etc.): regule o pêndulo para o nível II ou III. Para um corte com a serra mais fino e preciso, utilize o nível de pêndulo 0 ou I.
- Para material fino, utilize o nível de pêndulo 0.
- Material duro (aço, etc.): regule o pêndulo para o nível 0.
- Curvas: regula o pêndulo para o nível 0.

### Corte longitudinal (Fig. H)

O corte longitudinal só pode ser utilizado em materiais macios, como madeira, betão arejado, placas de gesso, etc. No entanto, isto requer alguma prática e é possível apenas com lâmina de serra curtas.

1. Coloque a serra sobre a peça de trabalho e ligue-a.
2. Verifique se a extremidade inferior da plataforma fica assente na superfície da peça de trabalho, como indicado na Fig. H.
3. Serre lentamente a serra na lâmina em ângulo, movendo a serra para uma posição vertical e continue a serrar ao longo da linha de corte.
4. Desligue a serra e levante a peça de trabalho quando a tarefa estiver concluída.

### Extracção de poeira (Fig. E)

- Insira o adaptador de extracção de poeiras (8) na ligação para extracção de poeiras.
- Ligue a mangueira de um aspirador ao adaptador de extracção de poeiras (8).

**Nota:** quando utilizar um aspirador, a função de sopro de poeiras deve ser desactivada.

### Função de sopro de poeiras (Fig. I)

Deve utilizar a função de sopro para limpar aparas e resíduos da linha de corte.

- Para activar a função de sopro de poeiras, vire o interruptor do soprador de poeiras (2) para baixo.
- Para desactivar a função de sopro de poeiras, vire o interruptor do soprador de poeiras (2) para cima.

### Utilização adequada

- Fixe a peça de trabalho. Utilize um dispositivo de fixação para peças de trabalho pequenas.
- Faça uma linha para definir a direcção de orientação da lâmina da serra.



- Segure a máquina com firmeza pela pega.
- Regule a velocidade de serragem.
- Regule o ângulo de esquadria.
- Ligue a máquina.
- Aguarde até a máquina atingir a velocidade máxima.
- Coloque a sapata da serra na peça de trabalho.
- Mova a máquina lentamente ao longo da linha desenhada previamente, premindo a sapata da serra com firmeza contra a peça de trabalho.
- Não aplique demasiada pressão na máquina. Deixe a máquina fazer o trabalho.
- Desligue a máquina e aguarde até esta parar por completo antes de colocar a máquina no chão.

## 5. MANUTENÇÃO



*Antes de efectuar a limpeza e a manutenção, desligue sempre a máquina e retire a bateria da máquina.*

Limpe a caixa da máquina com regularidade com um pano macio, de preferência após cada utilização. Certifique-se de que as aberturas de ventilação não têm pó ou sujidade. Retire a sujidade muito persistente com um pano macio humedecido com água de sabão. Não utilize solventes, como gasolina, álcool, amoníaco, etc. Este tipo de produtos químicos danificam os componentes sintéticos.

## AMBIENTE



*Os equipamentos eléctricos ou electrónicos defeituosos e/ou eliminados devem ser recolhidos em locais de reciclagem adequados.*

### Apenas para os países da CE

Não elimine as ferramentas eléctricas em conjunto com os resíduos domésticos. De acordo com a directiva europeia 2012/19/CE sobre resíduos de equipamentos eléctricos e electrónicos e a respectiva implementação na legislação nacional, as ferramentas eléctricas que já não sejam utilizadas devem ser recolhidas em separado e eliminadas de maneira ecológica.

## GARANTIA

Os produtos da VONROC são desenvolvidos de acordo com os padrões de qualidade mais elevados e não apresentam quaisquer defeitos em termos de materiais e mão-de-obra em relação ao período estipulado por lei, cujo início é a partir da data de compra original. Se o produto apresentar qualquer falha durante este período devido a qualquer defeito no material e/ou de mão-de-obra, contacte a VONROC directamente.

As seguintes circunstâncias estão excluídas desta garantia:

- Se forem efectuadas ou tentadas quaisquer reparações e/ou alterações na máquina por centros de assistência não autorizados;
- Desgaste normal;
- Se a ferramenta foi utilizada de maneira abusiva, indevida ou a manutenção for efectuada de maneira incorrecta;
- Se forem utilizadas peças sobresselentes não originais.

Isto constitui a única garantia feita pela empresa, de maneira expressa ou implícita. Não existem quaisquer outras garantias expressas ou implícitas que se prolonguem, incluindo as garantias implícitas de comercialização e adequação para fins específicos. A VONROC não será, em nenhuma circunstância, responsável por danos incidentais ou indirectos. Os fornecedores devem estar limitados a reparar ou substituir as unidades ou peças que não estejam em conformidade.

**O equipamento e o manual do utilizador estão sujeitos a alterações sem aviso prévio. As especificações podem ser alteradas sem aviso prévio.**

## 1. BIZTONSÁGI UTASÍTÁSOK

Olvassa el az összes mellékelt biztonsági figyelmeztetést. A figyelmeztetések és utasítások be nem tartása áramütéshez, tűz keletkezéséhez vagy akár súlyos személyi sérüléshez vezethet. Őrizze meg a biztonsági figyelmeztetéseket és utasításokat későbbre is.

A használati útmutatóban és a terméken a következő jelölésekkel találkozhat:



*Olvassa el a használati útmutatót.*



*Jelzi a személyi sérülések, az életveszély vagy a szerszám károsodásának veszélyét.*



*Változó elektronikus sebesség.*



*Viseljen biztonsági szemüveget.  
Viseljen hallásvédő eszközt.*



*Viseljen porvédő álarcot.*



*Késleltetett mini biztosítóbetétt.*



*Max. hőmérséklet 45 °C.*



*Az akkumulátort tűzbe dobni tilos.*



*Az akkumulátort vízbe dobni tilos.*



*Li-ion akkumulátor szelektív gyűjtése.*



*A termék megfelel az európai irányelvek rá vonatkozó biztonsági követelményeinek.*

### AZ ELEKTROMOS GÉPEKRE VONATKOZÓ ÁLTALÁNOS BIZTONSÁGI FIGYELMEZTETÉSEK



**FIGYELMEZTETÉS! Olvasson el minden biztonsági figyelmeztetést és utasítást.**

*A figyelmeztetések és utasítások be nem tartása áramütést, tüzet és/vagy súlyos sérülést okozhat.*

**Az összes figyelmeztetést és utasítást őrizze meg, mert később még szüksége lehet rájuk.**

A figyelmeztetésben használt „elektromos szerszám” kifejezés a hálózatról működtetett (vezetékes) elektromos szerszámra vagy akkumulátoros (vezeték nélküli) elektromos szerszámra utal.

#### 1) A munkaterület biztonsága

- Gondoskodjon a munkaterület tisztaságáról és megfelelő megvilágításáról.** A rendezetlen és sötét területeken valószínűbb a balesetek előfordulása.
- Ne használja az elektromos szerszámokat robbanásveszélyes légkörben, például ahol gyúlékony folyadékok, gázok vagy por vannak jelen.** Az elektromos szerszámok használata során keletkező szikra lángra lobbanthatja a port és füstöt.
- Az elektromos szerszám használata során a gyermekeket és a közelben tartózkodó személyeket tartsa távol a munkaterülettől.** Ha valami eltereli a figyelmét, elveszítheti az irányítást.

#### 2) Elektromos biztonság

- Az elektromos szerszám dugóinak megfelelőnek kell lenniük az aljzathoz. Soha ne próbálja semmilyen módon módosítani a dugót. Földelt elektromos szerszámhoz ne használjon semmilyen adapterdugót.** Az eredeti (értsd: módosítás nélküli) dugók és megfelelő hálózati aljzatok használatával mérsékelhető az elektromos áramütés veszélye.
- Ügyeljen arra, hogy teste ne érintkezzen földelt felületekkel, például csővezetékekkel, radiátorral, tűzhellyel vagy hűtőszekrényvel.** Ha teste földelődik, megnő az áramütés kockázata.
- Óvja az elektromos szerszámokat az esőtől és nedves környezettől.** Az elektromos szerszámokban kerülő víz növeli az elektromos áramütés veszélyét.
- Ne használja helytelenül (nem előírászerűen) a kábelt. A kábelt soha ne használja az elektromos szerszám hordozására, húzására vagy az aljzattól történő kihúzására. A kábelt tartsa távol hőforrásoktól, olajtól, hegyes élektől és mozgó alkatrészekről.** A sérült vagy megtekeredett kábelek növelik az elektromos áramütés veszélyét.
- Az elektromos szerszám kültéri használata esetén kültéri használatra alkalmas hosszabító kábelt használjon.** A kültéri használatra alkalmas kábel használatával mérsékelhető az elektromos áramütés veszélye.
- Ha az elektromos szerszámot mindenképpen nedves környezetben kell használni, akkor használjon áramvédő kapcsolóval (RCD) ellátott tápforrást.** Az áramvédő kapcsolóval ellátott tápforrás használatával mérsékelhető az elektromos áramütés veszélye.

### 3) Személyi biztonság

- a) **Az elektromos szerszám használata során maradjon éber, koncentráljon az éppen végzett műveletre és használja a józan ítélőképességét. Ha fáradt, vagy ha kábítószer, alkohol vagy gyógyszer hatása alatt áll, ne használjon elektromos szerszámot.** Az elektromos szerszámok használata közben egyetlen pillanatnyi figyelmetlenség is súlyos személyi sérülést okozhat.
- b) **Használjon egyéni védőfelszerelést. Mindig viseljen szemvédő felszerelést.** A megfelelő körülményekhez való védőeszközökkel (például pormaszkkal, csúszásgátló biztonsági cipővel, munkavédelmi sisakkal vagy hallásvédő eszközzel) csökkenthető a személyi sérülések kockázata.
- c) **Gondoskodjon a gép véletlen elindulásának megelőzéséről. A szerszám tápforráshoz és/vagy akkumulátorcsomaghoz történő csatlakoztatása, kézbevétele vagy hordozása előtt győződjön meg róla, hogy a kapcsoló OFF (kikapcsolt) állásban van.** Ha úgy hordozza az elektromos szerszámot, hogy az ujjja a kapcsolón van, vagy úgy helyezi feszültség alá, hogy a kapcsolója ON (bekapcs.) helyzetben van, ez növeli a balesetek kockázatát.
- d) **Az elektromos szerszám bekapcsolása előtt távolítsa el a csavarkulcsokat vagy beállító kulcsokat.** Az elektromos szerszám forgó alkatrészein felejtett csavarkulcs vagy beállító kulcs személyi sérülést okozhat.
- e) **Ne próbáljon túlnyújtva vagy kitekeredett testhelyzetben dolgozni. Mindig két lábbal, egyensúlyát megtartva álljon a talajon.** Így könnyebben tudja irányítani az elektromos szerszámot a váratlan helyzetekben.
- f) **Viseljen megfelelő öltözetet. Ne viseljen laza ruhát vagy ékszert. Haját, ruháját és kesztyűjét tartsa távol a mozgó alkatrészekről.** A mozgó alkatrészek behúzhatják a ruhákat, az ékszereket és a hosszú haját.
- g) **Ha a szerszámhoz porelszívó és porgyűjtő eszköz is lehet csatlakoztatni, akkor gondoskodjon ezek csatlakoztatásáról és megfelelő használatáról.** A porgyűjtő rendszerek használatával csökkenthető a porral kapcsolatos veszélyek.
- h) **Ne engedje, hogy a szerszámok gyakori használata során szerzett tapasztalatai túlzott biztonságérzetet keltsenek Önben, és amiatt elhanyagolja a biztonsági alapelveket.** A gondatlan cselekvés már a másodperc törtrésze alatt is súlyos sérülést okozhat.

### 4) Az elektromos szerszám használata és ápolása

- a) **Az elektromos szerszámot tilos túlzott erőfeszítéssel használni. Az alkalmazási célnak megfelelő elektromos szerszámot használjon.** A megfelelő elektromos szerszám jobban, biztonságosabban végzi a munkát azon a fordulatszámon, amire azt tervezték.
- b) **Ne használja az elektromos szerszámot, ha az nem kapcsolható be/ki a főkapcsolóval.** Bár mely elektromos szerszám veszélyes lehet, amit a kapcsolóval nem lehet irányítani, ezért az ilyen elektromos szerszámot meg kell javíttatni.
- c) **Válassza le a dugót a tápforrásról és/vagy az akkumulátorcsomagot az elektromos szerszámról, mielőtt bármilyen módosítást végez, tartozékot cserél vagy eltávolítja az elektromos szerszámot.** Ezekkel a megelőző biztonsági intézkedésekkel csökkenthető az elektromos szerszám véletlen elindulásának a kockázata.
- d) **A használaton kívüli elektromos szerszámot olyan helyen tárolja, ahol gyermekek nem férhetnek hozzá; ne engedje, hogy olyan személyek használják, akik az elektromos szerszámot és ezeket az utasításokat nem ismerik.** Az elektromos szerszám rendkívül veszélyes lehet szakképzetlen felhasználók kezeiben.
- e) **Tartsa karban az elektromos szerszámokat. Ellenőrizze, hogy a mozgó alkatrészek nem állítódtak-e el vagy nem szorulnak-e, nincsenek-e a szerszámon törött alkatrészek, és nem állnak-e fenn olyan körülmények, amelyek befolyásolhatják a szerszám működését. Ha az elektromos szerszám sérült, használat előtt javíttassa meg.** A hanyagul karbantartott elektromos szerszámok sok balesetet okoznak.
- f) **Tartsa élesen és tisztán a vágószerszámokat.** A megfelelően karbantartott, éles vágószerszámok beszorulásának kisebb a valószínűsége, ráadásul könnyebben irányíthatók.
- g) **Az elektromos szerszámot, tartozékokat és szerszámszárakat stb. a használati útmutatónak megfelelően használja, a munkakörülmények és az elvégzendő feladat figyelembevételével.** Ha az elektromos gépet a rendeltetési céljától eltérően használják, az veszélyhelyzetet teremthet.
- h) **Tartsa a fogantyúkat és egyéb markolási felületeket szárazon, tisztán, olajtól és zsírtól mentesen.** Váratlan helyzetekben a csúszós fogantyúk és egyéb markolási felületek akadályozzák a szerszám biztonságos kezelését és irányítását.

- 5) Az akkumulátoros szerszám használata és ápolása
- Újratöltéshez csak a gyártó által megjelölt töltőt használja. Az egyik fajta akkumulátorhoz való töltő egy másiknál tűzveszélyt okozhat.
  - Csak a kifejezetten hozzájuk készült akkumulátorral használja az elektromos szerszámokat. Bármilyen másfajta akkumulátor használata tűz- és balesetveszélyt idézhet elő.
  - Amikor az akkumulátor nincs használatban, óvja olyan más fém tárgytól, mint a gémkapocs, a pénzérme, kulcs, szög, csavar és más kis fém tárgyak, amely a két kapcsolatot össze képes kötni. Az akkumulátor csatlakozások rövidre zárása égési sérülést vagy tüzet okozhat.
  - Nem előírászerű körülmények között az akkumulátorból folyadék szivároghat; kerülje a vele való érintkezést. Ha véletlenül mégis a bőrre kerül, vízzel öblítse le. Ha a folyadék szembe kerül, forduljon orvoshoz is. Az akkumulátorból származó folyadék bőrizgató hatású, égési sérülést is okozhat.
  - Sérült vagy átalakított akkucsomagot és szerszámot ne használjon. A sérült vagy átalakított akkumulátorok kiszámíthatatlanul viselkedhetnek, tüzet, robbanást vagy sérülést okozhatnak.
  - Tűztől és szélsőséges hőmérséklettől óvja az akkucsomagot és a szerszámot. Ha tűznek vagy 130 °C-on felüli hőmérsékletnek teszi ki, robbanást okozhat. MEGJEGYZÉS: a „130 °C” „265 °F”-nak (Fahrenheit foknak) felel meg.
  - Tartsa be a töltésre vonatkozó összes utasítást, és ne töltse az akkucsomagot vagy a szerszámot a kezelési útmutatóban megadott tartományon kívül eső hőmérséklet mellett. Nem megfelelő vagy a megadott tartományon kívüli hőmérséklet mellett történő töltés károsíthatja az akkumulátort, és tűzveszéllyel jár.
- 6) Szerviz
- Az elektromos szerszámot képzett javító szakemberrel javíttassa, csakis az eredetivel azonos pótalkatrészeket használjon fel. Ez szabja, hogy az elektromos szerszám továbbra is biztonságos maradjon.
  - Sérült akkucsomagot soha ne szervizeljen. Akkucsomagok szervizelését csak a gyártó vagy annak megbízott szolgáltatója végezheti.

## A DEKOPÍRFŰRÉSZRE VONATKOZÓ BIZTONSÁGI FIGYELMEZTETÉSEK

- Az elektromos szerszámot a szigetelt markolási felületein fogja, amikor olyan munkát végez vele, ahol a vágószerszám rejtett vezetékét érhet. Ha a vágószerszám feszültség alatt levő vezetékhez ér, a szerszám fém részei feszültség alá kerülnek, és a kezelőt áramütés érheti.
- Tartsa távol a kezét a fűrész működési hatótávolságától. Ne nyúljon a munkadarab alá. A fűrészlap érintése sérüléshez vezethet.
- A gépet csak akkor helyezze a munkadarabra, amikor a gép be van kapcsolva. Mástkülönbben a vágószerszám beragadhat a munkadarabra, ami veszélyes visszarúgást eredményezhet.
- Ügyeljen arra, hogy fűrészelés közben a talplemez biztonságosan feküdjön az anyagra. A beszorult fűrészlap eltörhet, vagy akár visszarúgást is okozhat.
- Amikor a vágás befejeződött, kapcsolja ki a gépet, és csak azt követően húzza ki a fűrészlapot a vágatból, hogy a fűrészlap teljesen megállt. Így elkerülheti a visszarúgást, és biztonságosan leteheti a gépet.
- Kizárólag tökéletes állapotban lévő, sérülés nélküli fűrészlapokat használjon. A meghajlott vagy élelten fűrészlapok eltörhetnek, kedvezőtlenül befolyásolhatják a vágást, vagy akár visszarúgáshoz is vezethetnek.
- Ne fékezze le a fűrészlapot úgy, hogy a gép kikapcsolása után oldalirányú nyomást fejt ki a fűrészlapra. A fűrészlap megsérülhet, eltörhet, vagy akár visszarúgást is okozhat.
- Erre a műveletre alkalmas detektorral ellenőrizze, vannak-e rejtett közmű vezetékek a területen, amelyen dolgozni fog, vagy kérjen segítséget a helyi közművektől. Elektromos vezeték érintése tüzet vagy áramütést okozhat. Gázvezeték sérülése robbanáshoz vezethet. Vízvezeték sérülése anyagi kárt okoz.
- Rögzítse a munkadarabot. Sokkal biztonságosabb a munkadarabot szorítóeszkővel vagy satuban rögzíteni, mint kézzel.
- Mindig várja meg a gép teljes leállítását, mielőtt letenné. A szerszámszár megszorulhat, és az elektromos szerszám feletti uralom elvesztését okozhatja.
- Használjon szorítókat vagy más praktikus módszert a munkadarab stabil platformhoz való rögzítéséhez és megtámasztásához. A készülék feletti uralmának elvesztéséhez vezethet, ha a munkadarabot a kezében tartja vagy a testéhez támasztja.

## AZ AKKUMULÁTORRAL KAPCSOLATOS BIZTONSÁGI FIGYELMEZTETÉSEK

- Ne nyissa fel az akkumulátort.** Rövidzárlat veszélye.
- Védje az akkumulátort a hőbehatástól, pl. ne tegye ki folyamatos erős napsugárzásnak, valamint védje a tűztől, víztől és nedvességtől.** Robbanásveszély.
- Ha az akkumulátor sérült, vagy rendellenesen használják, gőzök áramolhatnak belőle. Szellőztesse át a munkaterületet, és ha egészségi panaszai vannak, kérjen orvosi segítséget.** A gőzök irritálhatják a légutakat.
- Az akkumulátort csak a Vonroc termékéhez használja.** Ezzel az intézkedéssel veszélyes túlterheléstől védi az akkumulátort.
- Az akkumulátor megsérülhet, ha a külsejét hegyes tárggyal (pl. szeggel, csavarhúzóval) vagy erőszakosan manipulálják.** Belső rövidzárlat következhet be, amittől az akkumulátor leégphet, füstölhet, robbanhat vagy túlmelegedhet.

## A TÖLTŐRE VONATKOZÓ BIZTONSÁGI FIGYELMEZTETÉSEK

### Rendeltetészerű használat

A töltővel kizárólag CD801AA és CD803AA típusú újratölthető akkumulátorcsomagokat töltsön fel. Más típusú akkumulátor szétrobbanhat, személyi sérülést és anyagi kárt okozva.

- A villamos készüléket csökkent fizikai, érzékszervi vagy szellemi képességű személyek (gyermeket is ideértve) vagy tapasztalat, ismeret híján csak felügyelet vagy útmutatás mellett használhatják.**
- Felügyelje a gyermekeket, nehogy játszassanak a készülékkel.**
- Nem újratölthető akkumulátorok újratöltésével próbálkozni tilos!**
- Az akkumulátorok töltését jól szellőző helyen kell végezni!**

## 2. A GÉP ADATAI

### Rendeltetészerű használat

A gép fa, fém, műanyag, kerámia, gumi stb. kívánt méretre és formára való fűrészelésére szolgál, a talplemezt erősen a munkadarabra fektetve tartva. Minden esetben a célra alkalmas fűrészlapot kell használni.

## MŰSZAKI ADATOK




*Ez az útmutató különböző készülékekhez / cikkszámokhoz készült. A készlet megfelelő összetételéhez és tartalmához ellenőrizze a műszaki adatokat tartalmazó lenti táblázat vonatkozó cikkszámát.*

Típus sz.	Mellékelt akkumulátor(ok)	Mellékelt töltők
<b>JS504DC</b>	-	-
<b>S_JS504DC</b>	CD801AA	CD802AA
<b>S2_JS504DC</b>	2 x CD801AA	CD802AA
<b>S3_JS504DC</b>	CD803AA	CD802AA
<b>S4_JS504DC</b>	CD801AA	CD802AA

A gép adatai	
Névleges feszültség	20 V
Üresjárat fordulatszám	1000–2300/perc
Fűrészlöklet	17,5 mm
Max. fa fűrészelési kapacitás 0°	65 mm
Max. acél fűrészelési kapacitás 0°	8 mm
Súly	1,40 kg
Hangnyomásszint LPA	86,0 dB(A) K=5dB(A)
Hangteljesítményszint LWA	97,0 dB(A), K=5 dB(A)
Rezgés fémlémez fűrészelésekör	6,537 m/s <sup>2</sup> K=1,5 m/s <sup>2</sup>
Rezgés furnérlémez fűrészelésekör	7,317 m/s <sup>2</sup> K=1,5 m/s <sup>2</sup>

Típus sz.	CD801AA
Akkumulátor típusa	Lítium-ion
Feszültség	20 V
Kapacitás	2,0 Ah
Ajánlott töltő	CD802AA
Súly	0,3 kg

Típus sz.	CD802AA
A töltő bemenete	220–240 V, 50 Hz, 0,4 A
A töltő kimenete	21 V , 2,5 A
2 Ah-s akkumulátor töltési ideje	60 perc
4 Ah-s akkumulátor töltési ideje	120 perc
Ajánlott akkumulátorok	CD801AA, CD803AA
Súly	0,36 kg

Típus sz.	CD803AA
Akkumulátor típusa	Lítium-ion
Feszültség	20 V 
Kapacitás	4,0 Ah
Ajánlott töltő	CD802AA
Súly	0,65 kg

VONROC VPOWER 20 V akkumulátorplatformból csak a következő akkumulátorokat használja. Más akkumulátor használata súlyos sérüléshez és a szerszám károsodásához vezethet.

CD801AA 20 V, 2 Ah-s lítium-ion

CD803AA 20 V, 4 Ah-s lítium-ion

Ezek az akkumulátorok az alábbi töltővel is tölthetők.  
CD802AA Gyorstöltő

A VONROC VPOWER 20V platform akkumulátorai csereszabatosak minden VONROC VPOWER 20V akkumulátor platform szerszámmal.

### Rezgés értékek

A használati útmutatóban megadott rezgés kibocsátási értékek mérése az EN 62841 szabvány szerinti egységesített eljárással történt; az értékek használhatók gépek összehasonlítására és a munkavégzés közbeni rezgés terhelés előzetes megbecslésére az adott alkalmazási területen.

- Ha az elektromos kéziszerszámot más területen használják vagy más vagy rossz karban tartott tartozékkal, a rezgés terhelés jelentősen megnövekedhet.
- Azok az időtartamok, amely alatt a gép üresen jár vagy áll, jelentősen csökkenthetik a tényleges terhelést.

Védje magát a rezgés hatásától, tartsa karban a gépet és a tartozékokat, melegítsen be és szerelje meg okosan a munkáját.

### LEÍRÁS

A szövegbeli számok a 2–4. oldal képeire utalnak.

1. Főkapcsoló
2. Porfújó kapcsoló
3. Főfogantyú
4. Akkumulátor kioldó gomb
5. Akkumulátor
6. Ingallókat kapcsoló

7. Ferdeszög skála
8. Porszívó adapter
9. Talplemez
10. Terelőgörgő
11. Segédfogantyú
12. Védőburkolat
13. Befogókar
14. Párhuzamvezető szárnyascsavarjai
15. Imbuszkulcs
16. Tokmány
17. Fűrészlap
18. Talplemezcsavar
19. Párhuzamvezető
20. Fordulatszám állító kerék
21. Vágásjelző
22. Talplemez fedele
23. Akkumulátor LED-jelzőlámpák gomb
24. Akkumulátor LED-jelzőlámpák
25. Töltő
26. Töltésjelző LED-ek

## 3. ÖSSZESZERELÉS



*Az elektromos szerszámon végzett bármilyen munka előtt távolítsa el az akkumulátort.*



*Az akkumulátort első használat előtt először fel kell tölteni.*

### Az akkumulátor behelyezése a gépbe (A, G ábra)



*A töltőre vagy a gépre csatlakoztatás előtt ellenőrizze, hogy az akkumulátor külseje tiszta és száraz legyen.*

1. Tegye az akkumulátort (5) a gép talpába a G ábrán látható módon.
2. Kattanásig nyomja az akkumulátort a helyére.

### Az akkumulátor kivétele a gépből (A, G ábra)

1. Nyomja meg az akkumulátor kioldó gombját (4)
2. Vegye ki az akkumulátort a gépből a G ábrán látható módon.

### Az akkumulátor töltési állapotának ellenőrzése (J ábra)

- A töltöttségi szint ellenőrzéséhez nyomja meg röviden a gombot (23).
- Az akkumulátor 3 lámpával jelzi a töltési szintet: minél több világít, annál több töltése van még az akkumulátornak.

- Ha a lámpák nem világítanak, az akkumulátor lemerült, azonnal tölteni kell.

**Az akkumulátor töltése a töltővel (J ábra)**

- Vegye ki a gépből az akkumulátort (5).
- Fordítsa fejfel lefelé az akkumulátort (5) és csúsztassa a töltőre (25) a J ábrán látható módon.
- Nyomja be egészen az akkumulátort a nyílásba.
- Dugja a töltő dugót villamos aljzatba és várjon. A gépen a LED jelzők (26) világítani kezdenek és jelzik a töltő állapotát.

**A töltőn 2 LED jelzőlámpa (26) van, amelyek mutatják a töltési folyamatot:**

Piros LED állapot	Zöld LED állapot	Töltés állapot
Nem világít	Nem világít	Nincs áram
Nem világít	Világít	Készenlét mód: - Nincs behelyezve akkumulátor vagy - Akkumulátor behelyezve, de a töltés befejeződött
Világít	Nem világít	Akkumulátor töltődik

- A(z) 2 Ah-s akkumulátor teljes feltöltése 60 percet vesz igénybe.
- A(z) 4 Ah-s akkumulátor teljes feltöltése 120 percet vesz igénybe.

Az akkumulátor teljes feltöltése után húzza ki a töltődugót az aljzataból és vegye ki az akkumulátort a töltőből.



Ha a gépet hosszabb ideig nem használják, jobb az akkumulátort töltött állapotban tárolni.

**Fűrészlap cseréje (A, B ábra)**



A fűrészlap felszereléséhez viseljen védőkesztyűt. A fűrészlap megérintése sérülést eredményezhet.



Csak olyan fűrészlapot használjon, amely megfelel a kezelési útmutatóban megadott jellemző adatoknak.

**A fűrészlap felszerelése**



Győződjön meg arról, hogy a fűrészlaptartó anyagtörmelékektől mentes (például fa- vagy fémszilánkoktól).

- Forgassa el teljesen balra a befogókart (13), és tartsa ebben a pozícióban.
- Helyezze be a fűrészlapot a tokmányba (16). Győződjön meg róla, hogy a fűrészlap stabilan rögzült, valamint hogy a vágás irányába néznek.
- Engedje el a befogókart. Ellenőrizze, hogy a fűrészlap hátsó része a terelőgörgő (10) közepén helyezkedik el.

Az anyagnak megfelelő fűrészlapot használjon.

A géphez mellékelünk egy durva fűrészlapot, amivel fát lehet vágni, valamint egy finom fűrészlapot, amivel fémet és műanyagot lehet vágni.

**A fűrészlap leszerelése**

- Forgassa el teljesen balra a befogókart (13), és tartsa ebben a pozícióban.
- Távolítsa el a fűrészlapot a tokmányból (16).
- Engedje el a befogókart.

**A párhuzamvezető csatlakoztatása (C ábra)**

- Lazítsa meg a szárnyascsavárokat (14).
- Szerelje fel a párhuzamvezetőt (19) a talplemezre (9).
- Állítsa be a kívánt vágási szélességet a párhuzamvezetőn (19) lévő skála és a talplemezen (21) lévő vágásjelző segítségével. A fűrészlap helyzetét a vágásjelző (21) jelzi.
- Húzza meg a szárnyascsavart (14).

**4. HASZNÁLAT**

**A gép be- és kikapcsolása (A ábra)**

- A gép bekapcsolásakor tolja előre a kapcsolót és nyomja meg az üzemi kapcsolót (1).
- A gép kikapcsolásához engedje el a főkapcsolót (1).

**Sebesség beállítása (A ábra)**

A sebesség beállításához használja a sebességállító kereket (20). Az ideális sebesség függ a fűrészlap profiljától és a fűrészfogaktól, valamint a megmunkálandó anyagtól.



A fűrész használata közben ne állítsa a sebességet.

Forgassa a fordulatszám állító kereket (20) a kívánt állásba.

- Kemény anyagokhoz használjon finom fogazású fűrészlapot, és válasszon alacsonyabb sebességet.
- Puha anyagokhoz használjon durva fogazású fűrészlapot, és válasszon alacsonyabb sebességet.

#### A ferdevágási szög beállítása (A, D ábra)

1. Lazítsa meg a csavart (18) imbuszkulcs (15) segítségével.
2. Állítsa a talplemezt (9) a kívánt pozícióba (0°- 45°). A vágás szöge (ferdevágás) a skáláról (7) leolvasható.
3. Húzza meg a csavart (18) imbuszkulcs (15) segítségével.

#### Az ingalöket beállítása (A ábra)

Az ingalöket kapcsolóval (6) kiválasztható a fűrészlap fogainak anyaghoz való tapadási módja. Az ingalöket kapcsoló 4 pozícióba állítható:

0 - Nincs ingalöket

- 1 - Alacsony fokozatú ingalöket
- 2 - Közepes fokozatú ingalöket
- 3 - Magas fokozatú ingalöket

A szükséges ingalöket gyakorlati teszteléssel határozható meg, azonban a következők útmutatás alkalmazható:

- Puha anyag (fa, műanyag stb.): állítsa az ingalöketet a II. vagy III. fokozatba. Finomabb és tisztább vágáshoz használja az ingalöket 0. vagy I. fokozatát.
- Vékony anyag esetében használja az ingalöket 0. fokozatát.
- Kemény anyag (keményfa, acél stb.): állítsa az ingalöketet 0. fokozatba.
- Ívek: állítsa az ingalöketet 0. fokozatba.

#### Beszűrő fűrészelés (H ábra)

Csak puha anyagokon (például fa, gázbeton, gipszkartonlemez stb.) lehet beszűrő fűrészelést végezni. Megfelelő tapasztalat szükséges hozzá, és csak rövid fűrészlapokkal lehet végezni.

1. Helyezze a fűrész a munkadarabra, és kapcsolja be a fűrész.
2. Ügyeljen rá, hogy a talplemez alsó széle a H ábrán látható módon felfeküdjön a munkadarab felületére.
3. Fűrészelj bele rézsúsen és lassan a munkadarabra. Fokozatosan mozgassa a fűrész függőleges helyzetig, majd folytassa a fűrész-

lést a vágóvonal mentén.

4. Amikor végzett a munkával, kapcsolja ki a fűrész, majd emelje ki a munkadarabból.

#### Porelszívás (E ábra)

- Illessze a porszívó adaptert (8) a porszívó csatlakozóba.
- Csatlakoztassa a porszívó tömlőjét a porszívó adapterhez (8).

**Megjegyzés:** porszívó használata esetén a porfűjő funkciót ki kell kapcsolni.

#### Porfűjő funkció (I ábra)

A vágás vonala porfűjő funkcióval a forgácstól és törmeléktől mentesen tartható.

- A porfűjő funkció bekapcsolásakor mozgassa a porfűjő kapcsolót (2) lefele.
- A porfűjő funkció kikapcsolásakor mozgassa a porfűjő kapcsolót (2) felfele.

#### Optimális használat

- Rögzítse a munkadarabot. Kis munkadaraboknál használjon satut.
- Húzzon egy vonalat a fűrészlap vezetési irányának meghatározására.
- Erősen fogja meg a gépet a markolatnál fogva.
- Állítsa be a fűrészelés sebességét.
- Állítsa be a gérszöget.
- Kapcsolja be a gépet.
- Várja meg, amíg a gép teljes fordulatszámra gyorsul.
- Helyezze a fűrészlapot a munkadarabra.
- Lassan mozgassa a gépet az előre megrajzolt vonal mentén, a fűrészlapot erősen a munkadarabhoz szorítva.
- Ne nyomja túl erősen a gépet. Hagyja, hogy a gép dolgozzon.
- Kapcsolja ki a gépet, majd várja meg, amíg teljesen leáll, csak utána tegye le.

## 5. KARBANTARTÁS



*Tisztítás és karbantartás előtt mindig kapcsolja ki a gépet és vegye ki belőle az akkumulátort.*

A gép burkolatát rendszeresen, lehetőleg minden használat után törölje át puha ronggyal. Ügyeljen arra, hogy a szellőzőnyílások portól és piszoktól mentesek legyenek. Makacs szennyeződésekhez



használjon szappanos vízzel átítatott ruhát. Ne használjon oldószert, benzint, alkoholt, ammóniát stb. Az ilyen vegyszerek kárt tesznek a szintetikus alkatrészekben.

## KÖRNYEZETVÉDELEM



*A hibás vagy már feleslegessé vált elektromos, elektronikus készülékeket az ezzel foglalkozó begyűjtő helyeken kell leadni.*

### Csak EU országokban

Elektromos szerszámot ne dobjon a háztartási hulladékba. Az elektromos és elektronikai hulladékokra vonatkozó, 2012/19/EU európai irányelv és annak a nemzeti törvénykezésbe történő átültetése értelmében az elhasználadott elektromos készülékeket külön kell gyűjteni és környezetbarát módon kell kiselejtezni.

## JÓTÁLLÁS

A VONROC termékei a legmagasabb minőségi normák szerint készülnek, és az eredeti vásárlás napjától számított, törvényileg előírt időtartamig garantáljuk, hogy anyag- és gyártási hibáktól mentesen fognak működni. Ha a termékben ezen időszak alatt bármilyen hiba jelentkezik anyag- és/ vagy gyártási hiba miatt, kérjük, forduljon közvetlenül az Ön VONROC kapcsolattartójához.

A szavatosság nem érvényes a következő körülmények egyikére sem:

- Nem hivatalos szervizközpontok javítást vagy módosítást végeztek (vagy megkíséreltek javítást vagy módosítást végezni) a gépen;
- Normál elhasználódás és kopás;
- A szerszámot erőszakosan vagy nem rendeltetésszerűen használták, vagy a karbantartása nem volt megfelelő;
- Nem eredeti pótalkatrészeket használtak.

A jelen garancia a vállalat által (akár kifejezetten, akár hallgatólagosan) biztosított kizárólagos garancia. Nem biztosítunk más garanciákat (sem kifejezett, sem beleértett garanciákat, ideértve az értékesíthetőségre és az adott célra való alkalmasságra vonatkozó hallgatólagos garanciákat is), amelyek a jelen garancia hatókörén túlmutatnak. A VONROC semmilyen esetben sem felelős semmi-

lyen járulékos vagy következményes kárért. A forgalmazók jogorvoslati teendői az előírásoknak nem megfelelő egységek vagy alkatrészek javítására és cseréjére korlátozódik.

**A termék és a használati útmutató változtatásának jogát fenntartjuk. A műszaki adatok előzetes bejelentés nélkül változhatnak.**

## 1. BEZPEČNOSTNÍ POKYNY

Přečtěte si přiložené bezpečnostní výstrahy, dodatečné bezpečnostní výstrahy a bezpečnostní pokyny. Nebudete-li dodržovat tyto bezpečnostní výstrahy a pokyny, může dojít k úrazu elektrickým proudem, k vzniku požáru nebo k vážnému zranění. Uschovejte tyto bezpečnostní výstrahy a pokyny pro budoucí použití.

V tomto návodu k obsluze a na tomto výrobku jsou použity následující symboly:



*Přečtěte si návod k obsluze.*



*Upozorňuje na riziko zranění osob, ztráty života nebo poškození zařízení, nebudou-li dodržovány pokyny uvedené v tomto návodu.*



*Elektronická regulace otáček.*



*Používejte ochranné brýle.  
Používejte ochranu sluchu.*



*Používejte ochrannou masku proti prachu.*



*Miniaturní pomalá pojistka s tavnou vložkou.*



*Maximální teplota 45 °C.*



*Nevhazujte akumulátor do ohně.*



*Nevhazujte akumulátor do vody.*



*Použijte tříděný odpad pro akumulátory Li-Ion.*



*Tento výrobek je vyroben v souladu s platnými bezpečnostními normami, které jsou uvedeny ve směrnících EU.*

### ZÁKLADNÍ BEZPEČNOSTNÍ VÝSTRAHY PRO ELEKTRICKÉ NÁŘADÍ



**VAROVÁNÍ! Přečtěte si všechny bezpečnostní výstrahy a všechny pokyny.** Nebudete-li dodržovat tyto bezpečnostní výstrahy a pokyny, může dojít k úrazu elektrickým proudem, ke vzniku požáru nebo k vážnému zranění.

### Uschovejte všechny bezpečnostní výstrahy a pokyny pro budoucí použití.

Pojem elektrické nářadí v těchto varováních odkazuje na elektrické nářadí napájené z elektrické sítě (s napájecím kabelem) nebo z akumulátoru (bez napájecího kabelu).

#### 1) Bezpečnost pracovního prostoru

- Udržujte pracoviště uklizené a dobře osvětlené.** Neuklizená nebo tmavá místa přivolávají nehody.
- Nepoužívejte elektrická nářadí ve výbušných prostředích, jako jsou místa s přítomností hořlavých kapalin, plynů nebo prachu.** V elektrickém nářadí dochází k jiskření, které může způsobit vznícení prachu nebo výparů.
- Při práci s tímto elektrickým nářadím udržujte děti a okolostojící osoby v bezpečné vzdálenosti.** Rozptylování může způsobit ztrátu kontroly nad nářadím.

#### 2) Elektrická bezpečnost

- Zástrčka napájecího kabelu nářadí musí odpovídat zásuvce. Zástrčku nikdy žádným způsobem neupravujte. Nepoužívejte u uzemněného elektrického nářadí žádné adaptéry zástrček.** Neupravené zástrčky a odpovídající zásuvky snižují riziko úrazu elektrickým proudem.
- Vyvarujte se kontaktu s uzemněnými povrchy, jako jsou potrubí, radiátory, trouby a ledničky.** Dojde-li k uzemnění vašeho těla, hrozí zvýšené riziko způsobení úrazu elektrickým proudem.
- Nevystavujte elektrické nářadí dešti ani vlhkému prostředí.** Dostane-li se do elektrického nářadí voda, zvýší se riziko úrazu elektrickým proudem.
- Nezacházejte špatně s napájecím kabelem. Nikdy nepoužívejte napájecí kabel pro přenášení nebo tahání tohoto elektrického nářadí a netahejte za tento kabel při odpojování zástrčky od zásuvky. Dbejte na to, aby tento kabel nepřecházel přes horké a mastné povrchy nebo přes ostré hrany, a aby se nedostal do kontaktu s pohyblivými se částmi.** Poškozené nebo zamotané kabely zvyšují riziko úrazu elektrickým proudem.
- Používáte-li elektrické nářadí venku, použijte prodlužovací kabel vhodný pro venkovní použití.** Použití prodlužovacího kabelu pro venkovní použití snižuje riziko úrazu elektrickým proudem.
- Musíte-li používat toto elektrické nářadí ve vlhkém prostředí, používejte v elektrickém obvodu**

**proudový chránič (RCD).** Použití proudového chrániče (RCD) snižuje riziko úrazu elektrickým proudem.

### 3) Bezpečnost osob

- a) **Při práci s tímto elektrickým nářadím buďte stále pozorní, sledujte, co provádíte, a použijte zdravý rozum. Nepoužívejte elektrické nářadí, jste-li unaveni nebo jste-li pod vlivem drog, alkoholu nebo léků.** Chvilková nepozornost při práci s elektrickým nářadím může způsobit velmi vážná zranění.
- b) **Používejte osobní ochranné prostředky. Vždy používejte ochranu zraku.** Ochranné prostředky, jako jsou maska proti prachu, neklouzavá pracovní ochranná obuv, pevná přilba nebo chrániče sluchu, které jsou používány v příslušných podmínkách, zmenšují riziko způsobení zranění osob.
- c) **Zabraňte náhodnému spuštění nářadí. Před připojením elektrického nářadí k napájecímu zdroji nebo před vložením akumulátoru do nářadí také před zvednutím nářadí nebo před jeho přenášením se ujistěte, zda je vypínač na nářadí v poloze vypnuto.** Přenášení elektrického nářadí s prstem na spínači nebo připojení elektrického nářadí ke zdroji elektrické energie, je-li spínač v poloze zapnuto, zvyšuje pravděpodobnost vzniku nehod.
- d) **Před zapnutím elektrického nářadí vždy odstraňte všechny klíče a seřizovací přípravky.** Klíče nebo seřizovací přípravky ponechané na rotující části elektrického nářadí mohou způsobit zranění osob.
- e) **Nepřeceňujte své síly. Vždy udržujte správný postoj a rovnováhu.** Tak si zachováte lepší kontrolu nad nářadím v neočekávaných situacích.
- f) **Vhodně se oblékejte. Nenoste volný oděv ani šperky. Udržujte vlasy, oblečení a rukavice v bezpečné vzdálenosti od všech pohyblivých částí.** Volný oděv, šperky nebo dlouhé vlasy mohou být zachyceny pohyblivými částmi.
- g) **Jsou-li zařízení vybavena adaptérem pro připojení odsávacího systému, ujistěte se, zda je odsávací zařízení správně připojeno a zda správně plní svoji funkci.** Použití odsávání prachu může snížit rizika spojená s prací v prašném prostředí.
- h) **Nedovolte, aby jistota získaná častým používáním nářadí vedla ke snížení vaší pozornosti a ignorování zásad bezpečné práce s nářadím.** Chvilková nepozornost může během zlomku sekundy způsobit vážné zranění.

### 4) Použití elektrického nářadí a jeho údržba

- a) **Nepřetěžujte elektrické nářadí. Používejte pro prováděnou práci správné elektrické nářadí.** Správné elektrické nářadí provede práci lépe a bezpečněji, je-li použito pro práce, pro které je určeno.
- b) **Nepoužívejte elektrické nářadí, nepracuje-li správně jeho spouštěč spínač.** Elektrické nářadí, které nelze ovládat pomocí spouštěcího spínače, je velmi nebezpečné a musí být opraveno.
- c) **Před prováděním jakéhokoliv seřízení, před výměnou příslušenství nebo před uložením odpojte napájecí kabel nářadí od napájecího zdroje nebo z nářadí vyjměte akumulátor.** Tato preventivní bezpečnostní opatření snižují riziko náhodného spuštění elektrického nářadí.
- d) **Uložte nepoužívané elektrické nářadí mimo dosah dětí a nedovolte osobám, které nejsou obeznámeny s tímto nářadím nebo s těmito pokyny, aby toto elektrické nářadí používaly.** Elektrické nářadí je v rukách neproškolených osob nebezpečné.
- e) **Provádějte údržbu elektrického nářadí. Zkontrolujte nevyrovnaní nebo vážnutí pohyblivých částí, poškození součástí a jiné stavy, které by mohly mít vliv na správnou funkci nářadí. Je-li elektrické nářadí poškozeno, zajistěte jeho opravu dříve, než ho použijete.** Mnohé nehody bývají způsobeny nedostatečnou údržbou elektrického nářadí.
- f) **Udržujte řezné nástroje ostré a čisté.** U správně udržovaných řezných nástrojů s ostrými řeznými břity je menší pravděpodobnost jejich zablokování a lépe se s nimi pracuje.
- g) **Používejte elektrické nářadí, příslušenství, pracovní nástroje atd. v souladu s těmito pokyny a berte v úvahu pracovní podmínky a práci, která má být provedena.** Použití elektrického nářadí pro práce, pro které není určeno, může vést k nebezpečným situacím.
- h) **Dbejte na to, aby byly rukojeti a úchopné povrchy suché, čisté a zbavené olejů a maziv.** Kluzké rukojeti a úchopné plochy neumožňují bezpečnou manipulaci a ovládání nářadí v neočekávaných situacích.

### 5) Použití a údržba akumulátorového nářadí

- a) **K nabíjení používejte výhradně nabíječku předepsanou výrobcem.** Nabíječka vhodná pro jeden typ akumulátoru může způsobit požár při vložení jiného, nevhodného typu.
- b) **Používejte elektrické nářadí pouze s předepsanými akumulátory.** Použití jiných typů akumulátoru může způsobit požár nebo zranění.

- c) Když akumulátor nepoužíváte, uložte ho mimo dosah kovových předmětů, jako jsou kancelářské spinky, mince, klíče, hřebíky, šroubky nebo jiné malé kovové předměty, které by mohly zkratovat jeho kontakty. Zkratování kontaktů akumulátoru může způsobit popálení nebo požár.
- d) Za nevhodných podmínek může z akumulátoru unikat kapalina. Vyvarujte se kontaktu s touto kapalinou. Dojde-li k náhodnému kontaktu s touto kapalinou, zasažené místo omyjte vodou. Dostane-li se kapalina do očí, ihned si je vypláchněte vodou a vyhledejte lékařskou pomoc. Unikající kapalina z akumulátoru může způsobit podráždění pokožky nebo popálení.
- e) Nepoužívejte poškozený nebo upravený akumulátor či nářadí. Poškozený nebo upravený akumulátor se mohou chovat nepředvídatelně, což může způsobit požár, výbuch nebo nebezpečí zranění.
- f) Nevystavujte akumulátor a nářadí ohni ani nadměrným teplotám. Vystavení účinkům ohně nebo teplot nad 130 °C může způsobit výbuch. POZNÁMKA: Teplota „130 °C“ odpovídá teplotě „265 °F“.
- g) Dodržujte všechny pokyny pro nabíjení a nenabíjejte akumulátor ani nářadí mimo teplotní rozsah předepsaný v těchto pokynech. Nesprávné nabíjení nebo nabíjení při teplotě mimo předepsaný rozsah může poškodit akumulátor a zvýšit nebezpečí vzniku požáru.
- 6) Servis**
- a) Svěřte opravu svého elektrického nářadí pouze osobě s příslušnou kvalifikací, která bude používat výhradně originální náhradní díly. Tím zajistíte bezpečný provoz tohoto elektrického nářadí.
- b) Nikdy neopravujte poškozené akumulátorové moduly. Opravy akumulátorů smí provádět výhradně výrobce nebo technik autorizovaného servisu.

## BEZPEČNOSTNÍ VÝSTRAHY PRO PŘÍMOČARÉ PÍLY

- Při provádění prací, během kterých se může pracovní příslušenství dostat do kontaktu se skrytými elektroinstalacemi, držte toto elektrické nářadí za izolované plochy určené pro úchop. Pracovní příslušenství, které se dostane do kontaktu s „živým“ elektrickým vodičem, může způsobit, že nechráněné kovové části nářadí budou také „živé“, což by mohlo vést k úrazu obsluhy elektrickým proudem.

- Udržujte ruce v bezpečné vzdálenosti od místa řezu. Nesahejte pod obrobek. Kontakt s pilovým listem může způsobit zranění.
- Přikládejte toto nářadí k obrobku pouze tehdy, když je zapnuté. Nedodržíte-li tento pokyn, bude hrozit riziko zpětného rázu, když se pilový list při spuštění nářadí zablokuje v obrobku.
- Při řezání věnujte pozornost tomu, aby se deska základny bezpečně opírala o materiál. Zablockovaný pilový list se může zlomit nebo může způsobit zpětný ráz.
- Po dokončení řezu vypněte nářadí a, jakmile se pilový list zcela zastaví, vytáhněte jej z řezu. Tímto způsobem můžete zabránit zpětnému rázu a můžete bezpečně odložit nářadí.
- Používejte pouze nepoškozené pilové listy, které jsou v perfektním stavu. Ohnuté nebo tupé pilové listy se mohou zlomit, budou negativně ovlivňovat kvalitu řezu nebo budou způsobovat zpětné rázy.
- Nezastavujte pilový list po vypnutí nářadí vyvíjením bočního tlaku na tento pilový list. Pilový list může být poškozen, zlomen nebo může způsobit zpětný ráz.
- Použijte vhodné detektory pro detekci skrytých inženýrských sítí v pracovním prostoru nebo požádejte o pomoc rozvodnou společnost. Kontakt s elektrickým vedením může způsobit požár a úraz elektrickým proudem. Poškození plynového potrubí může způsobit výbuch. Narušení vodovodního potrubí může mít za následek poškození majetku.
- Zajistěte obrobek. Obrobek upevněný v upínacím zařízení nebo ve svěráku je zajištěn lépe než při držení rukou.
- Před odložením nářadí vždy počkejte, dokud nedojde k jeho úplnému zastavení. Pilový list se může zablokovat, což může vést k ztrátě kontroly nad tímto elektrickým nářadím.
- Použijte svorky nebo jiný praktický způsob, jak podepřít obrobek a zajistit ho na stabilní podložce. Když držíte obrobek rukou nebo opřený o tělo, zůstává nestabilní a můžete nad ním ztratit kontrolu.

## BEZPEČNOSTNÍ VAROVÁNÍ PRO AKUMULÁTORY

- a) Akumulátor nerozebírejte. Nebezpečí zkratu.
- b) Chraňte akumulátor před teplem, např. před nepřetržitým intenzivním slunečním světlem, ohněm, vodou a vlhkostí. Nebezpečí výbuchu.

- c) **V případě poškození a nesprávného použití akumulátoru se mohou uvolňovat výpary. V případě potíží vyvětrejte místnost a vyhledejte lékařskou pomoc.** Výpary mohou dráždit dýchací ústrojí.
- d) **Používejte tento akumulátor výhradně s výrobkem značky Vonroc.** Toto opatření samo o sobě chrání akumulátor před nebezpečným přetížením.
- e) **Akumulátor může být poškozen ostrými předměty, jako například hřebíky nebo šroubováky, nebo větší silou.** Může dojít k vnitřnímu zkratu a vznícení, vzniku kouře, výbuchu nebo přehřátí akumulátoru.

### BEZPEČNOSTNÍ VAROVÁNÍ PRO NABÍJEČKU Zamýšlené použití

Touto nabíječkou nabíjete výhradně akumulátorové moduly typu CD801AA a CD803AA. Ostatní typy akumulátorů mohou prasknout a způsobit zranění a poškození.

- a) **Tento výrobek není určen k použití osobami (včetně dětí) se sníženými fyzickými, smyslovými nebo duševními schopnostmi, nebo s nedostatkem zkušeností a znalostí, pokud jim nebyl stanoven dohled nebo pokud jim nebyly poskytnuty potřebné instrukce.**
- b) **Děti musí být pod dozorem, aby si s tímto zařízením nehrály.**
- c) **Nenabíjejte baterie, které nejsou k nabíjení určeny!**
- d) **Během nabíjení musí být akumulátory umístěny na dobře větraném místě!**

## 2. INFORMACE O ZAŘÍZENÍ

### Zamýšlené použití

Toto nářadí je určeno pro řezání dřeva, kovů, plastů, keramiky, pryže atd., na jakýkoli požadovaný rozměr a tvar v případě, kdy je deska základny opřena pevně o obrobek. Vždy musí být použit vhodný pilový list.

### TECHNICKÉ ÚDAJE



*Tato uživatelská příručka platí pro různá čísla zboží / různé sady. V níže uvedené tabulce specifikací si můžete ověřit správný obsah vaší sady podle odpovídajícího čísla.*


Číslo modelu	Akumulátory v dodávce	Nabíječky v dodávce
<b>JS504DC</b>	-	-
<b>S_JS504DC</b>	CD801AA	CD802AA
<b>S2_JS504DC</b>	2x CD801AA	CD802AA
<b>S3_JS504DC</b>	CD803AA	CD802AA
<b>S4_JS504DC</b>	CD801AA	CD802AA

### Informace o nářadí

Jmenovité napětí	20 V
Otáčky naprázdno	1000–2300/min
Zdvih pilového listu	17,5 mm
Maximální kapacita řezu do dřeva 0°	65 mm
Maximální kapacita řezu do oceli 0°	8 mm
Hmotnost	1,40 kg
Akustický tlak LPA	86,0 dB(A), K = 5 dB(A)
Akustický výkon LWA	97,0 dB(A), K = 5 dB(A)
Vibrace při řezání plechů	6,537 m/s <sup>2</sup> K = 1,5 m/s <sup>2</sup>
Vibrace při řezání překližky	7,317 m/s <sup>2</sup> K = 1,5 m/s <sup>2</sup>

Číslo modelu	CD801AA
Typ akumulátoru	Lithium-Ion
Napětí	20 V
Kapacita	2,0 Ah
Doporučená nabíječka	CD802AA
Hmotnost	0,3 kg

Číslo modelu	CD802AA
Vstup nabíječky	220–240 V, 50 Hz, 0,4 A
Výstup nabíječky	21V  2,5 A
Doba nabíjení 2Ah akumulátoru	60 minut
Doba nabíjení 4Ah akumulátoru	120 minut
Doporučené akumulátory	CD801AA, CD803AA
Hmotnost	0,36 kg

<b>Číslo modelu</b>	<b>CD803AA</b>
Typ akumulátoru	Lithium-Ion
Napětí	20 V 
Kapacita	4,0 Ah
Doporučená nabíječka	CD802AA
Hmotnost	0,65 kg

Používejte pouze následující akumulátory z platformy VONROC VPOWER 20 V. Použití jakýchkoliv jiných akumulátorů může způsobit vážné zranění nebo poškození nářadí.

CD801AA 20 V, 2 Ah, Li-Ion

CD803AA 20 V, 4 Ah, Li-Ion

Pro nabíjení těchto akumulátorů se může používat následující nabíječka.

CD802AA Rychlonabíječka

Akumulátory platformy VONROC VPOWER 20V se mohou používat ve všech akumulátorových nářadích na platformě VONROC VPOWER 20V.

### Úroveň vibrací

Deklarovaná úroveň vibrací uvedená v tomto návodu byla měřena v souladu se standardní zkušební metodou předepsanou normou EN 62841. Tato úroveň vibrací může být použita pro srovnání jednotlivých nářadí mezi sebou a také při předběžném posouzení působících vibrací při používání nářadí při uvedených aplikacích.

- Použití tohoto nářadí pro jiné aplikace nebo s odlišným nebo špatně udržovaným příslušenstvím může značně zvýšit působení vibrací.
- Doba, kdy je nářadí vypnuto nebo kdy je v chodu, ale aktuálně nevykonává žádnou práci, může působení vibrací značně zmírnit.

Chraňte se před působením vibrací prováděním řádné údržby tohoto nářadí i jeho příslušenství, udržujte ruce v teple a provádějte práci správným způsobem.

### POPIS

Čísla v následujícím textu odkazují na obrázky na stranách 2–4.

1. Vypínač
2. Spínač funkce odfuku prachu
3. Hlavní rukojeť

4. Tlačítko pro uvolnění akumulátoru
5. Akumulátor
6. Spínač předkmitu
7. Měřítka úhlů šikmého řezu
8. Adaptér pro odsávací zařízení
9. Základna
10. Vodicí kladka
11. Přídavná rukojeť
12. Kryt
13. Zajišťovací páčka
14. Křídlové šrouby paralelního vodítka
15. Šestihranný klíč
16. Sklíčidlo
17. Pilový list
18. Šroub základny
19. Paralelní vodítko
20. Regulátor otáček
21. Značka řezu
22. Kryt základny
23. Tlačítko LED indikátorů akumulátoru
24. LED indikátory akumulátoru
25. Nabíječka
26. LED indikátory nabíječky

## 3. SESTAVENÍ



*Před zahájením jakékoliv práce na elektrickém nářadí vyjměte z tohoto nářadí akumulátor.*



*Před prvním použitím musí být akumulátor nabit.*

### Vložení akumulátoru do stroje (obr. A, G)



*Před vložením do nabíječky nebo do nářadí zkontrolujte, zda je povrch akumulátoru čistý a suchý.*

1. Zasuňte akumulátor (5) do základny nářadí, jak ukazuje obrázek C.
2. Zatlačte akumulátor úplně dopředu, dokud nezaklapne na své místo.

### Vyjmutí akumulátoru ze stroje (obr. A, G)

1. Stiskněte tlačítko pro uvolnění akumulátoru (4)
2. Vytáhněte akumulátor z nářadí, jak ukazuje obrázek G.

### Kontrola stavu nabití akumulátoru (obr. J)

- Chcete-li zkontrolovat stav nabití akumulátoru, krátce stiskněte tlačítko (23) na akumulátoru.

- Akumulátor je vybaven 3 kontrolkami, které indikují stav jeho nabití: čím více kontrolky svítí, tím více je akumulátor nabit.
- Pokud tyto kontrolky nesvítí, znamená to, že je akumulátor vybitý a musíte okamžitě provést jeho nabití.



*Používejte pouze pilové listy, které vyhovují specifikacím uvedeným v tomto návodu.*

#### Nasazení pilového listu



*Ujistěte se, zda v držáku pilového listu nejsou žádné nečistoty (jako dřevěné nebo kovové piliny).*

#### Nabíjení akumulátoru pomocí nabíječky (obr. J)

1. Vyměňte akumulátor (5) z nářadí.
2. Obráťte akumulátor (5) spodní stranou nahoru a zasuňte ho do nabíječky (25), jak ukazuje obrázek J.
3. Zatlačte na akumulátor, dokud není zcela zasunut do slotu.
4. Připojte zástrčku kabelu nabíječky k síťové zásuvce a chvíli počkejte. LED indikátory na nabíječce (26) se rozsvítí a zobrazí aktuální stav nabíječky.

#### Tato nabíječka je vybavena 2 LED indikátory (26), které indikují stav procesu nabíjení:

Stav červené LED	Stav zelené LED	Stav nabíječky
Nesvítí	Nesvítí	Žádné napájení
Nesvítí	Svítí	Pohotovostní režim: - Není vložen žádný akumulátor nebo - Akumulátor je vložen, ale nabíjení skončilo
Svítí	Nesvítí	Probíhá nabíjení akumulátoru

- Úplné nabití 2Ah akumulátoru může trvat až 60 minut.
- Úplné nabití 4Ah akumulátoru může trvat až 120 minut.

Jakmile bude akumulátor zcela nabit, odpojte zástrčku kabelu nabíječky od zásuvky a vyjměte akumulátor z nabíječky.



*Nebude-li toto nářadí používáno delší dobu, dohlédněte na to, aby akumulátor byl před uložením nabit.*

#### Výměna pilového listu (obr. A, B)



*Při manipulaci s pilovým listem používejte rukavice. Nebezpečí zranění při kontaktu s pilovým listem.*

1. Otočte upínací páčku (13) pokud možno co nejvíce doleva a držte ji v této poloze.
2. Vložte pilový list do držáku (16). Zkontrolujte, zda je pilový list v držáku bezpečně upevněn a zda jeho zuby směřují dolů.
3. Pusťte upínací páčku. Zkontrolujte, zda je zadní část pilového listu umístěna uprostřed vodící kladky (10).

Dohlédněte na to, abyste pro daný materiál použili správný pilový list. S touto pilou je dodáván pilový list s hrubými zuby na řezání dřeva a pilový list s jemnými zuby na řezání kovu.

#### Sejmutí pilového listu

1. Otočte upínací páčku (13) co nejvíce doleva a držte ji v této poloze.
2. Vyměňte pilový list z držáku (16).
3. Pusťte upínací páčku.

#### Upevnění paralelního vodítka (obr. C)

1. Povolte křídlové šrouby (14).
2. Namontujte paralelní vodítko (19) na základnu (9).
3. Pomocí měřítka na paralelním vodítku (19) a značky řezu na základně (21) nastavte požadovanou šířku řezu. Tato značka řezu (21) indikuje polohu pilového listu.
4. Utáhněte křídlový šroub (14).

## 4. POUŽITÍ

#### Zapnutí a vypnutí nářadí (obr. A)

- Pro zapnutí stroje zatlačte spínač dopředu a stiskněte spínač zapnuto/vypnuto (1).
- Chcete-li nářadí vypnout, uvolněte spínač zapnuto/vypnuto (1).

#### Nastavení otáček (obr. A)

K nastavení otáček slouží otočný regulátor (20). Ideální rychlost závisí na profilu a zubech pilového listu a na zpracovávaném materiálu.



*Nenastavujte otáčky během použití nářadí.*

Nastavte otočný regulátor (20) do požadované polohy.

- Pro tvrdé materiály použijte pilový list s jemnými zuby a zvolte nižší rychlost.
- Pro měkké materiály použijte pilový list s hrubými zuby a zvolte vyšší rychlost.

#### Nastavení úhlu šikmého řezu (obr. A, D)

1. Povolte šroub základny (18) pomocí šestihranového klíče (15).
2. Nastavte základnu (9) do požadované polohy (0° až 45°). Úhel řezu (šikmého) může být odečítán na měřítku (7).
3. Utáhněte šroub (18) pomocí šestihranového klíče (15).

#### Nastavení předkmitu (obr. A)

Spínač předkmitu (6) je používán pro nastavení způsobu, jakým se budou pohybovat zuby pilového listu v řezaném materiálu. Spínač předkmitu může být nastaveno do 4 poloh:

- 0 – Žádný předkmit
- 1 – Malý předkmit
- 2 – Střední předkmit
- 3 – Velký předkmit

Požadovaný předkmit může být určen pomocí praktického zkoušení a při dodržování následujících pokynů:

- Měkký materiál (dřevo, plasty atd.): nastavte předkmit na polohu II nebo III. Pro jemnější a čistější řezy používejte polohu 0 nebo I.
- Tenké materiály, používejte polohu předkmitu 0.
- Tvrdé materiály (ocel atd.): nastavte předkmit na polohu 0.
- Obloukové řezy: nastavte předkmit na polohu 0.

#### Ponorné řezy (obr. H)

Ponorné řezy mohou být použity pouze na měkkých materiálech, jako je dřevo, pórobeton, sádkartonové desky atd. Vyžaduje to ovšem určitou praxi a je to možné pouze s krátkými pilovými listy.

1. Položte pilu na obrobek a zapněte ji.
2. Ujistěte se, zda se spodní hrana základny opírá o povrch obrobku, jak ukazuje obrázek G.
3. Pomalu řezejte šikmo do obrobku, nastavujte pilu do svislé polohy a potom pokračujte v řezání podél čáry řezu.
4. Jakmile bude práce dokončena, vypněte pilu a zvedněte ji z obrobku.

#### Odsávání prachu (obr. E)

- Zasuňte adaptér pro odsávací zařízení (8) do přípojky pro odsávání prachu.
- Připojte hadici odsávacího zařízení k adaptéru pro odsávací zařízení (8).

**Poznámka:** Při použití vysavače musí být funkce odfuku prachu deaktivována.

#### Funkce odfuku prachu (obr. I)

Je-li použita funkce odfuku prachu, čára řezu nebude pokryta pilinami a jinými nečistotami.

- Chcete-li funkci odfuku prachu aktivovat, přesuňte spínač funkce odfuku prachu (2) směrem dolů.
- Chcete-li funkci odfuku prachu deaktivovat, přesuňte spínač funkce odfuku prachu (2) směrem nahoru.

#### Optimální použití

- Upněte si obrobek. Pro malé obrobky použijte upínací zařízení.
- Nakreslete si čáru, která bude určovat směr, jakým bude veden pilový list.
- Držte nářadí pevně za rukojeť.
- Nastavte rychlost řezání.
- Nastavte úhel pokosového řezu.
- Zapněte nářadí.
- Počkejte, dokud nářadí nedosáhne maximálních otáček.
- Položte základnu pily na obrobek.
- Pomalu vedte nářadí podél nakreslené čáry a pevně přitlačujte základnu pily na obrobek.
- Nevyvíjejte na toto nářadí příliš velký tlak. Nechejte nářadí pracovat jeho vlastním tempem.
- Před odložením nářadí vypněte a počkejte, dokud nedojde k úplnému zastavení jeho pracovního příslušenství.

## 5. ÚDRŽBA



*Před čištěním a prováděním údržby vždy stroj vypněte a vyjměte z něj akumulátor.*

Pravidelně čistěte kryt zařízení jemným hadříkem, ideálně po každém použití. Ujistěte se, že nejsou větrací otvory zaneseny prachem ani jinými nečistotami. Odolnější nečistoty odstraňte pomocí jemného hadříku navlhčeného v mýdlové pěně. Nepoužívejte žádná rozpouštědla, jako je benzín, líh, čpavek atd. Takové chemické látky mohou způsobit poškození dílů z umělé hmoty.



## OCHRANA ŽIVOTNÍHO PROSTŘEDÍ



*Poškozená a likvidovaná elektrická nebo elektronická zařízení musí být odevzdána ve sběrných dvorech, které jsou určeny pro tento účel.*

### Pouze pro země EU

Nevyhazujte elektrická nářadí do běžného domácího odpadu. Podle evropské směrnice 2012/19/EC týkající se likvidace elektrických a elektronických zařízení a její implementace do vnitrostátního práva, musí být nepoužívaná elektrická nářadí shromazďována odděleně a jejich likvidace musí být provedena tak, aby nedošlo k ohrožení životního prostředí.

## ZÁRUKA

Výrobky VONROC jsou vyvíjeny v souladu s požadavky norem na nejvyšší kvalitu a je zaručeno, že po dobu platné záruky, která začíná běžet dnem původního nákupu, nebudou na těchto výrobcích žádné vady materiálu, ani vady způsobené špatným dílenským zpracováním. Dojde-li během tohoto období k závadě v důsledku vady materiálu nebo dílenského zpracování, kontaktujte přímo firmu VONROC.

Z této záruky jsou vyloučeny následující případy:

- Opravy nebo úpravy tohoto zařízení byly provedeny nebo byly provedeny pokusy o jejich provedení v neautorizovaných servisech;
- Běžné opotřebování;
- Toto zařízení bylo nesprávně použito, nevhodně použito nebo nebyla prováděna jeho správná údržba;
- Byly použity neoriginální náhradní díly.

Výše uvedené představuje jedinou záruku poskytovanou společností, ať už výslovnou nebo předpokládanou. Neexistují žádné další záruky, výslovné ani předpokládané, které přesahují rámec zde uvedeného, včetně předpokládaných záruk prodejnosti a vhodnosti pro určitý účel. VONROC v žádném případě neodpovídá za jakékoliv náhodné ani následné škody. Opravné prostředky prodejců se omezují výhradně na opravu nebo výměnu nevhovujících jednotek nebo dílů.

**Na tomto výrobku a v tomto návodu mohou být prováděny změny. Specifikace mohou být změněny bez dalšího upozornění.**

## 1. GÜVENLİK TALİMATLARI

Ekteki güvenlik uyarılarını, ilave güvenlik uyarılarını ve talimatları okuyun. Güvenlik uyarılarını ve talimatları izlememek elektrik çarpması, yangın ve/veya ciddi yaralanma ile sonuçlanabilir. Güvenlik uyarılarını ve talimatları ilerde bakmak üzere muhafaza edin.

Aşağıdaki semboller kullanıcı kılavuzunda veya ürün üzerinde kullanılmaktadır:



*Kullanıcı kılavuzunu okuyun.*



*Bedensel yaralanma riski.*



*Degisken elektronik hiz.*



*Güvenlik eldivenleri giyin.  
Duyma koruması takın.*



*Bir toz maskesi takın.*



*Gecikmeli minyatür sigorta bağlantısı.*



*Maksimum sıcaklık 45 °C.*



*Pili ateşe atmayın.*



*Pili suya atmayın.*



*Ürün, Avrupa yönergelerindeki geçerli güvenlik standartlarına uygundur.*



*Ürün, Avrupa yönergelerindeki geçerli güvenlik standartlarına uygundur.*

### GENEL ELEKTRİKLİ ALET GÜVENLİK UYARILARI



**UYARI Tüm güvenlik uyarılarını ve tüm talimatları okuyun.** Uyarılara uyulmadı ve talimatlar elektrik çarpmasına, yangına ve/veya ciddi yaralanmalara neden olabilir.

### Tüm uyarıları ve talimatları gelecekte başvurmak üzere saklayın.

Uyarılardaki "elektrikli alet" terimi, şebeke elektriği ile çalışan (kablolu) elektrikli alet veya pil ile çalışan (kablesiz) elektrikli alet anlamına gelir.

#### 1) İş aşanı güvenliği

- İş alanını temiz ve aydınlık tutun.** Dağınık veya karanlık bölgeler, kazalara davetiye çıkarır.
- Elektrikli aletleri, yanıcı sıvıların, gazların veya tozun var olduğu patlayıcı atmosferlerde kullanmayın.** Elektrikli aletler, tozu veya dumanları ateşleyebilecek kıvılcımlar oluşturur.
- Bir elektrikli aleti kullanırken, çocukları ve çevredekileri uzak tutun.** Dikkatiniz dağılırsa kontrolü kaybedebilirsiniz.

#### 2) Elektrik güvenliği

- Elektrikli alet fişleri, prize uygun olmalıdır. Fişi, hiçbir şekilde modifiye etmeyin. Topraklı elektrikli aletlerle, herhangi bir fiş adaptörü kullanmayın.** Modifiye edilmemiş fişler ve buna uygun prizler, elektrik çarpması riskini azaltır.
- Borular, radyatörler, ocaklar ve buzdolapları gibi topraklı yüzeylerle temastan kaçınınız.** Eğer vücudunuz topraklanmışsa, elektrik çarpması riski daha fazla olur.
- Elektrikli aletleri yağmura veya ıslaklığa maruz bırakmayın.** Bir elektrikli alete su girmesi durumunda, elektrik çarpması riski artacaktır.
- Kabloya kötü davranmayın. Kabloyu taşıma amacıyla, elektrikli aleti ya da elektrikli aletin fişini çekmek için kullanmayın. Kabloyu ısıdan, yağdan, keskin kenarlardan ya da hareketli parçalardan uzak tutun.** Hasar görmüş ya da do-laşmış kablolar, elektrik çarpması riskini artırır.
- Bir elektrikli aleti dış mekanlarda kullanırken, dış mekan kullanımına uygun bir uzatma kablosu kullanın.** Dış mekan kullanımına uygun ir kablo kullanıldığında, elektrik çarpması riski azalır.
- Elektrikli aleti nemli bir konumda çalıştırmak kaçınılmazsa, kaçak akım cihazı (RCD) korumalı bir kaynak kullanın.** RCD kullanımı elektrik çarpması riskini azaltır.

#### 3) Kişisel güvenlik

- Elektrikli aleti kullanırken tetikte kalın, ne yaptığınıza dikkat edin ve sağduyulu davranın. Bir elektrikli aleti yorgun olduğunuzda ya da uyuşturucu, alkol veya ilaç etkisindeyken kullanmayın.** Elektrikli aleti kullanırken bir anlık dikkatsizlik ciddi kişisel yaralanmalara neden olabilir.
- Kişisel koruyucu donanım kullanın. Her zaman göz koruması takın.** Uygun durumlar için kullanılan toz maskesi, kaymaz güvenlik ayakkabıları, baret veya kulak tıkacı gibi koruyucu donanımlar, kişisel yaralanma riskini azaltacaktır.

- c) **Kasıtsız çalışmayı önleyin. Bir elektrik kaynağını ve/veya pil takımını bağlamadan, aleti kaldırmadan ya da taşımadan önce elektrikli aletin anahtarının kapalı durumda olduğundan emin olun.** Elektrikli aletleri parmağınız anahtar üzerindeyken taşımak veya anahtarı açık elektrikli aletleri harekete geçirmek kazalara davetiye çıkarır.
- d) **Elektrikli aleti açık duruma getirmeden önce her türlü ayar anahtarını çıkarın.** Elektrikli aletin dönen bir parçasında kalan bir anahtar, kişisel yaralanmalara neden olabilir.
- e) **Fazla uzanmayın. Ayaklarınızı sağlam basın ve her zaman dengeli olun.** Böylece beklenmeyen durumlarda elektrikli aleti daha iyi kontrol edebilirsiniz.
- f) **Uygun kıyafetler giyin. Bol kıyafetler giymeyin, takılar takmayın. Saçınızı, kıyafetlerinizi ve eldivenlerinizi, hareketli parçalardan uzak tutun.** Bol kıyafetler, takılar veya uzun saç, hareketli parçalara takılabilir.
- g) **Eğer cihazlar toz giderme ve toplama tesislerinin bağlantısı için sağlanmışsa, bunların bağlandığından ve düzgün bir şekilde kullanıldığından emin olun.** Toz toplama ile tozla ilgili tehlikeleri azaltılabilir.
- h) **Aletlerin sık kullanılmasından edindiğiniz bilgi birikiminin sizi aşırı rehavete sürüklemesine izin vermeyin ve araç güvenliği ilkelerini göz ardı etmeyin.** Dikkatsiz bir hareket, bir saniyeden bile kısa sürede ciddi yaralanmalara neden olabilir.
- 4) Elektrikli alet kullanımı ve bakımı**
- a) **Elektrikli aleti zorlamayın. Uygulamanız için doğru elektrikli aleti kullanın.** Doğru elektrikli alet, tasarım amacına uygun olarak işi daha iyi yapacaktır.
- b) **Eğer anahtarlar açılıp kapatılmıyorsa, elektrikli aleti kullanmayın.** Anahtarla kumanda edilemeyen elektrikli aletler tehlikelidir ve tamir edilmelidir.
- c) **Herhangi bir ayar, aksesuar değişimi ya da depolama işleminden önce elektrikli aletin fişini elektrik kaynağından çıkarın ve/veya pil takımını elektrikli aletten çıkarın.** Bu tür önleyici güvenlik önlemleri, elektrikli aletin kazara çalışma riskini azaltır.
- d) **Boş durumdaki elektrikli aletleri çocukların erişemeyeceği bir yerde muhafaza edin ve elektrikli aletin nasıl çalıştığını ya da bu talimatları bilmeyen kişilerin elektrikli aleti kullanmasına izin vermeyin.** Elektrikli aletler, eğitimsiz kullanıcıların elinde tehlikeli olur.
- e) **Elektrikli aletlerin bakımını yapın. Hatalı ayarlar veya hareketli parçaların bağlanması, parça kırılmaları ve elektrikli aletin çalışmasını etkileyecek diğer durumlar için kontrol gerçekleştirin. Eğer herhangi bir hasar varsa, elektrikli alet kullanılmadan önce tamir edilmelidir.** Çoğu kazaya bakımı iyi yapılmayan elektrikli aletler neden olur.
- f) **Kesme aletlerini keskin ve temiz tutun.** Bakımı iyi yapılan ve keskin kenarlara sahip kesme aletlerinde donmalar daha az yaşanır ve kontrol edilmeleri daha kolay olur.
- g) **Elektrikli aleti, aksesuarlarını ve torna kalemlelerini bu talimatlara uygun olarak kullanın, çalışma koşullarını ve gerçekleştirilecek olan işi dikkate alın.** Elektrikli aletin kullanım amacı dışında kullanılması, tehlikeli durumlara sonuçlanabilir.
- h) **Tutamakları ve tutma yerlerini kuru, temiz ve yağdan arındırılmış şekilde muhafaza edin.** Kaygan tutamaklar ve tutma yerleri, beklenmedik durumlarda aletin güvenli şekilde taşınmasına ve kontrol edilmesine izin vermez.
- 5) Pili alet kullanımı ve bakımı**
- a) **Yalnızca üretici tarafından belirtilen şarj aletiyle şarj edin.** Bir türde pil takımı için uygun bir şarj cihazı, başka bir pil takımı ile kullanıldığında yangın riski oluşturabilir.
- b) **Elektrikli aletleri yalnızca özel olarak belirlenmiş pil takımlarıyla kullanın.** Başka pil takımlarının kullanımı yaralanma ve yangın riski oluşturabilir.
- c) **Pil takımı kullanılmadığı zamanda, ataşlar, bozuk paralar, anahtarlar, çiviler, vidalar veya diğer küçük metal nesnelere gibi bir uçtan diğerine bir bağlantı yapabilecek diğer metal nesnelere uzak tutun.** Pil uçlarını birbirine kısa devre yaptırmak yanıklara veya yangına neden olabilir.
- d) **Bozulma durumlarında pilden sıvı çıkabilir; temastan kaçının. Kazara temas gerçekleşirse, suyla yıkayın. Sıvı gözlerle temas ederse ayrıca tıbbi yardım isteyin.** Pilden çıkan sıvı tahriş veya yanıklara neden olabilir.
- e) **Hasarlı veya üzerinde değişiklik yapılmış bir batarya veya aleti kullanmayın.** Hasarlı veya üzerinde değişiklik yapılmış bataryalar, yangın, patlama ya da yaralanma riskiyle sonuçlanan beklenmedik davranışlar sergileyebilir.
- f) **Batarya veya aleti ateşe veya aşırı sıcaklığa maruz bırakmayın.** Ateşe veya 130 °C üzeri sıcaklıklara maruz kalması patlamaya yol açabilir.

NOT Sıcaklık birimi olarak kullanılan „130 °C“ yerine „265 °F“ kullanılabilir.

- g) **Tüm şarj talimatlarına uyun ve batarya veya aleti talimatlarda belirtilen sıcaklık aralığının dışındaki ortamlarda şarj etmeyin.** Yanlış şekilde veya belirtilen aralığın dışındaki sıcaklıklarda şarj etmek bataryaya zarar verebilir ve yangın riskini artırabilir.
- 6) **Servis**
- a) **Elektrikli aletinizin servis işlemlerini, yalnızca aynı yedek parçaları kullanan vasıflı bir tamircinin yapmasını sağlayın.** Bu, elektrikli aletin güvenliğinin korunmasını sağlayacaktır.
- b) **Hasarlı bataryalara asla kendiniz bakım yapmaya çalışmayın.** Bataryadaki bakım işlemleri sadece üretici veya yetkili servisler tarafından yapılmalıdır.

## DEKUPAJ TESTERELER İÇİN GÜVENLİK UYARILARI

- **Bir işlem sırasında kesme aleti gizli kablolarla temas edebileceği için kesim aksesuarını yalıtımlı tutma yüzeylerinden tutun.** Kesici aletin, “elektrik akımı” bulunan kablolarla teması halinde “akım”, elektrikli aletin iletken metal parçaları üzerinden operatöre iletilerek elektrik çarpmasına yol açabilir.
- **Ellerinizi kesim alanından uzak tutun.** Üzerinde çalıştığınız parçaya altından ulaşmayı denemeyin. Testere bıçağı ile temas yaralanmalara neden olabilir.
- **Makineyi ancak çalıştırdıktan sonra iş parçasına doğru ilerletin.** Aksi halde, kesici alet iş parçasında sıkıştığında geri tepme tehlikesi vardır.
- **Kesim yapılırken taban plakasının malzemeye sağlam bir şekilde oturmasına dikkat edin.** Sıkışmış bir testere bıçağı kırılabilir veya geri tepmeye neden olabilir.
- **Kesim tamamlandığında, makineyi kapatın ve ardından testere bıçağını kesilen yerden ancak durduktan sonra çekin.** Bu şekilde geri tepmeyi önleyebilir ve makineyi güvenli bir şekilde yerleştirebilirsiniz.
- **Sadece hasar görmemiş, mükemmel durumda olan testere bıçaklarını kullanın.** Kıvrılmış veya körelmiş testere bıçakları kırılabilir, kesimi olumsuz etkileyebilir veya geri tepmeye neden olabilir.
- **Kapattıktan sonra yandan baskı uygulayarak testere bıçağını durdurmayın.** Testere bıçağı zarar görebilir, kırılabilir veya geri tepmeye neden olabilir.

- **Çalışma alanında gizli tesisat hattı olup olmadığını belirlemek için yerel detektörler kullanın veya yardım için yerel kamu hizmet şirketine arayın.** Elektrik hatları ile temas yangına ve elektrik çarpmasına neden olabilir. Bir doğalgaz hattının hasar görmesi patlamaya neden olabilir. Su hattını delmek maddi hasara neden olur.
- **İş parçasını sabitleyin.** Kelepçeleme aletleriyle veya bir mengene ile sıkıştırılmış bir iş parçası, elle olduğundan daha güvenli tutulur.
- **Makineyi yere koymadan önce tamamen durmasını bekleyin.** Alet ek parçası sıkışabilir ve elektrikli alet üzerinde kontrol kaybına yol açabilir.
- **İş parçasını sabit bir platforma sıkıca tutturmak ve desteklemek için kelepçeler veya başka bir pratik yöntem kullanın.** İş parçasını elle tutmak veya vücudunuza dayamak dengesiz durmasını neden olur ve bu da kontrol kaybına yol açabilir.

## BATARYA İÇİN GÜVENLİK UYARILARI

- a) **Bataryanın içini açmayın.** Kısa devre tehlikesi.
- b) **Bataryayı ısıya, sürekli yoğun güneş ışığına, yangına, suya ve neme karşı koruyun.** Patlama tehlikesi.
- c) **Bataryanın hasar görmesi ve yanlış kullanılması durumunda duman çıkabilir. Bölgeyi havalandırın ve şikayet durumunda tıbbi yardım alın.** Duman solunum sistemini tahriş edebilir.
- d) **Bataryayı sadece Vonroc ürününüzle bağlantılı olarak kullanın.** Bu önlem tek başına bataryayı tehlikeli aşırı yüklenmeye karşı korur.
- e) **Batarya, çivi veya tornavida gibi sivri uçlu nesnelere veya dışarıdan uygulanan kuvvetten ötürü zarar görebilir.** Dahili bir kısa devre oluşabilir ve batarya yanabilir, duman çıkabilir, patlayabilir veya aşırı ısınabilir.

## ŞARJ ALETİ İÇİN GÜVENLİK UYARILARI

### Kullanım amacı

Şarj aleti ile yalnızca CD801AA ve CD803AA tipi Şarj edilebilir bataryaları şarj edin. Diğer pil türleri patlayarak fiziksel yaralanma ve hasara neden olabilir.

- a) **Cihaz, gözetim veya talimat verilmedikleri takdirde kısıtlı düzeyde fiziksel, duysal veya zihinsel becerilere sahip olan veya deneyim ve bilgiden yoksun bulunan kişiler (çocuklar dahi) tarafından kullanılamaz.**
- b) **Çocuklar cihazla oynamamaları için gözetim altında tutulmalıdır.**
- c) **Şarj edilebilir olmayan özellikte pilleri şarj etmeyin!**
- d) **Şarj sırasında piller iyi havalandırılmalı bir bölgeye yerleştirilmelidir!**

## 2. MAKİNE BİLGİSİ

### Kullanım amacı

Makine, taban plakasını iş parçası üzerinde sıkıca tutarken istenen herhangi bir büyüklükte ve şekilde ahşap, metal, lastik, seramik, kauçuk vb. kesmek için tasarlanmıştır. Her zaman uygun bir testere bıçağı kullanılmalıdır.

### TEKNİK SPESİFİKASYONLAR



*Bu kılavuz farklı takımlar/ürün numaraları için hazırlanmıştır. Takımınızın doğru bileşenleri ve içeriği için aşağıdaki özellikler tablosundaki ilgili ürün numarasına bakın.*

Model No.	Batarya dahildir	Şarj cihazları dahildir
<b>JS504DC</b>	-	-
<b>S_JS504DC</b>	CD801AA	CD802AA
<b>S2_JS504DC</b>	2 x CD801AA	CD802AA
<b>S3_JS504DC</b>	CD803AA	CD802AA
<b>S4_JS504DC</b>	CD801AA	CD802AA

Makine bilgisi	
Şebeke voltajı	20V
Yüksüz devir	1000-2300/min
Testere vuruşu	17,5mm
Maks. testere kapasitesi ahşap 0°	65mm
Maks. testere kapasitesi çelik 0°	8mm
Ağırlık	1,40 kg
Ses basıncı seviyesi LPA	86,0 dB(A), K=5dB(A)
Ses şiddeti seviyesi LWA	97,0 dB(A), K=5dB(A)
Vibrasyon 'Sac levhanın testere'	6,537 m/s <sup>2</sup> K=1,5 m/s <sup>2</sup>
Vibrasyon 'Kontrplak gördüm'	7,317 m/s <sup>2</sup> K=1,5 m/s <sup>2</sup>

Model No.	CD801AA
Pil tipi	Lityum-iyon
Voltajı	20V
Kapasitesi	2,0 Ah
Önerilen şarj cihazı	CD802AA
Ağırlık	0,3 kg

Model No	CD802AA
Şarj cihazı girişi	220-240V,50Hz 0,4A
Şarj cihazı çıkışı	21V
Şarj süresi 2Ah batarya	60 dakika
Şarj süresi 4Ah batarya	120 dakika
Önerilen bataryalar	CD801AA, CD803AA
Ağırlık	0,36 kg

Model No	CD803AA
Pil tipi	Lityum-iyon
Voltajı	20V
Kapasitesi	4.0 Ah
Önerilen şarj cihazı	CD802AA
Ağırlık	0.65 kg

Sadece aşağıdaki VONROC POWER 20V batarya platformuna ait bataryaları kullanın. Başka batarya kullanmak, ciddi yaralanmalara neden olabilir veya alete zarar verebilir.

CD801AA 20V, 2Ah Lityum-iyon  
CD803AA 20V, 4Ah Lityum-iyon

Bu bataryaları şarj etmek için aşağıdaki şarj aleti kullanılabilir.

CD802AA Hızlı şarj aleti

VONROC POWER 20V batarya platformuna ait bataryalar, tüm VONROC POWER 20V batarya platformu aletleriyle karşılıklı değiştirilebilir.

### Vibrasyon seviyesi

Bu talimat kılavuzunda belirtilen vibrasyon emisyon seviyesi EN 62841 içinde verilen bir standart teste uygun olarak ölçülmüştür; bir aleti başka bir aletle karşılaştırmak için ve aleti adı geçen uygulamalar için kullanırken bir ilk maruz kalma değerlendirmesi olarak kullanılabilir.

- aleti farklı uygulamalar için veya farklı ya da kötü bakılan aksesuarlarla kullanmak maruz kalma seviyesini büyük ölçüde artırabilir.
- aletin kapalı olduğu veya çalışıp da gerçekten işi yapmadığı zamanlar maruz kalma seviyesini büyük ölçüde azaltabilir.

Aletin ve aksesuarların bakımını yaparak, ellerinizi sıcak tutarak ve çalışma düzenlerinizi organize ederek vibrasyonun etkilerine karşı kendinizi koruyun.

### AÇIKLAMA

Metindeki numaralar sayfa 2-4'deki çizimleri işaret etmektedir.

1. Comutator pornire/oprire
2. Comutator suflantă praf
3. Mâner principal
4. Buton deblocare acumulator
5. Pil
6. Întrerupător pentru acțiunea de pendulă
7. Eğim açısı için ölçek
8. Adaptor pentru aspirator
9. Placă de bază
10. Rolă de ghidare
11. Mâner auxiliari
12. Apărătoare
13. Manetă de prindere
14. Paralel korkuluk kelebek cıvataları
15. Cheie hexagonală
16. Mandrina
17. Pânza de ferăstrău
18. Şurub pentru placa de bază
19. Ghidaj paralel
20. Rotiță de reglare a vitezei
21. Kesme işareti
22. Taban plakası kapağı
23. Pil LED göstergeleri düğmesi
24. Pil LED göstergeleri
25. Încarcator
26. Şarj aleti LED göstergesi

### 3. MONTAJ



*Elektrikli alet üzerinde herhangi bir çalışma yapmadan önce, pili çıkarın.*



*İlk kullanımdan önce pil şarj edilmelidir.*

#### Pilin makineye takılması (Şekil A, G)



*Şarj aletine veya makineye bağlamadan önce pilin dış kısmının temiz ve kuru olmasını sağlayın.*

1. Pili (5) Şekil G'de gösterildiği gibi makinenin alt kısmına takın.
2. Yerine oturana kadar pili daha ileriye itin.

#### Pilin makineden çıkartılması (Şekil A, G)

1. Pil kilit açma düğmesine (4) basın.
2. Pili Şekil G'de gösterildiği gibi makineden çıkarın.

#### Batarya şarj durumunun kontrol edilmesi (Şekil J)

- Batarya şarj durumunu kontrol etmek için, batarya üzerindeki düğmeye (23) kısa süreli basın.
- Batarya, şarj seviyesini belirten 3 ışığa sahiptir, ne kadar çok ışık yanarsa, bataryada o kadar çok şarj kalmış demektir.
- Işıklar yanmıyorsa batarya boş demektir ve hemen şarj edilmelidir.

#### Bataryanın şarj cihazıyla şarj edilmesi (Şekil J)

1. Bataryayı (5) makineden çıkartın.
2. Bataryayı (5) baş aşağı konuma çevirin ve Şekil J'de gösterildiği gibi şarj cihazının (25) üzerine kaydırın.
3. Yuveya tamamen itilene kadar bataryayı itin.
4. Şarj cihazı fişini bir elektrik çıkışına takın ve bir süre bekleyin. Şarj cihazı (26) üzerindeki LED göstergeleri yanacak ve şarj durumunu gösterecektir

#### Şarj cihazı, şarj sürecinin durumunu gösteren 2 LED göstergesine (26) sahiptir.

Kırmızı LED Durumu	Yeşil LED Durumu	Şarj Cihazı
Kapalı	Kapalı	Güç yok
Kapalı	Açık	Bekleme modu: - Batarya yerleştirilmemiş veya, - Batarya yerleştirilmiş fakat şarj işlemi sona ermiş
Açık	Kapalı	Batarya şarja devam ediyor

- 2Ah bataryayı tam olarak şarj etmek 60 dakika sürebilir.
- 4Ah bataryayı tam olarak şarj etmek 120 dakika sürebilir.

Batarya tamamen şarj olduktan sonra şarj cihazı fişini prizden çıkarın ve bataryayı şarj cihazından çıkarın.



*Makine daha uzun bir süre kullanılmadığında, bataryayı şarj edilmiş durumda saklamak en iyisidir.*

#### Testere bıçağının değiştirilmesi (Şekil A, B)



*Testere bıçağını monte ederken koruyucu eldiven kullanın. Testere bıçağına dokunulduğunda yaralanma tehlikesi.*



*Sadece kullanım talimatlarında verilen karakteristik verilere karşılık gelen testere bıçaklarını kullanın.*

**Testere bıçağının takılması**

*Bıçak tutucusunda malzeme artıkları (tahta kıymıkları veya metal gibi) bulunmadığından emin olun.*

1. Kelepçeleme kolunu (13) mümkün olduğunca sola çevirin ve bu konumda tutun.
2. Testere bıçağını kovana (16) yerleştirin. Testere bıçağının sağlam bir şekilde sabitlendiğinden ve dişlerin aşağıya dönük olduğundan emin olun.
3. Kelepçeleme kolunu bırakın. Testere bıçağının yerine kilitleyip kilitlemediğini kontrol edin.

İlgili malzeme için doğru testere bıçağını kullandığınızdan emin olun. Makine ile birlikte ahşap için kalın dişli bir testere bıçağı ve metal ve plastik için ince dişli bir testere bıçağı verilir.

**Testere bıçağının çıkartılması**

1. Kelepçeleme kolunu (13) mümkün olduğunca sola çevirin ve bu konumda tutun.
2. Testere bıçağını kovandan (16) çıkartın.
3. Kelepçeleme kolunu bırakın.

**Paralel kılavuzun takılması (Şekil C)**

1. Kelebek civatalarını (14) gevşetin.
2. Paralel korkuluğu (19) taban plakasına (9) yerleştirin.
3. Paralel kılavuzdaki ölçeği (19) ve taban plakasındaki (21) kesme işaretini kullanarak istenen kesme genişliğini ayarlayın. Kesme işareti (21) testere bıçağının konumunu gösterir.
4. Kelebek civatalarını (14) sıkın.

**4. ÇALIŞTIRMA****Makinenin açılması/kapatılması (Şekil A)**

- Makineyi açmak için, şalteri ileri doğru itin ve Açma/Kapama düğmesine (1) basın.
- Makineyi kapatmak için Açma/Kapama düğmesini (1) bırakın.

**Hızın ayarlanması (Şekil A)**

Hız ayarlanması için hız ayarlama tekeri kullanılır. Hız ayarlama tekeri 6 farklı konuma ayarlanabilir. İdeal hız testere bıçağının profili ve dişlerinin yanı sıra üzerinde çalışılan malzemeye bağlı olarak değişir.



*Hızı kullanım sırasında ayarlamayın.*

Hız ayarlama tekerini (20) gerekli konuma çevirin.

- Sert malzemeler için ince dişlere sahip bir testere bıçağı kullanın ve daha düşük bir hız seçin.
- Yumuşak malzemeler için kalın dişlere sahip bir testere bıçağı kullanın ve daha yüksek bir hız seçin.

**Eğim açısının ayarlanması (Şekil B, F)**

1. Allen anahtarını (15) kullanarak civatayı (18) gevşetin.
2. Taban plakasını (9) istenen pozisyona (0°- 45°) ayarlayın. Kesme açısı (eğim) açısı göstergesinde (7) okunabilir.
3. Allen anahtarını (15) kullanarak civatayı (7) sıkın.

**Sarkaç hareketinin ayarlanması (Şekil A)**

Sarkaç hareketi düğmesi testere bıçağı dişlerinin malzemeyi kavrama şeklini ayarlamak için kullanılır. Sarkaç hareketi düğmesi 4 farklı konuma ayarlanabilir:

- 0 - Sarkaç hareketi yok
- 1 - Küçük sarkaç hareketi
- 2 - Orta sarkaç hareketi
- 3 - Büyük sarkaç hareketi

Gerekli sarkaç eylemi, aşağıdaki talimatlara uyulmasına rağmen, pratik testlerle belirlenebilir:

- Yumuşak malzeme (ahşap, plastik vb.): Sarkaç seviyesini II veya III konumuna getirin. Testere ile daha pürüzsüz ve temiz bir kesimi için, sarkaç seviye 0 veya I kullanın.
- İnce malzemede, sarkaç seviye 0 kullanın.
- Sert malzeme (çelik vb.): sarkacı seviye 0 konumuna ayarlayın.
- Kıvrımlar: sarkacı seviye 0 konumuna ayarlayın.

**Daldırma kesimi (Şekil H)**

Daldırma kesimi sadece ahşap, gözenekli beton, alçı levha ürünleri gibi yumuşak materyallerle kullanılabilir. Bununla birlikte bu kesim için belirli bir pratik gerekir ve sadece kısa testere bıçaklarıyla mümkündür.

1. Testere tabanını iş parçası üzerine koyun ve aleti çalıştırın.
2. Ayaklığın alt kenarının şekilde gösterildiği gibi iş parçasına yaslandığından emin olun.
3. Testereyi dikey bir konuma hareket ettirerek iş parçasını yavaşça kesin ve kesim çizgisi boyunca kesme işlemine devam edin.
4. İş tamamlandığında testereyi kapatın ve iş parçasını kaldırın.

**Toz tahliyesi (Şekil E)**

- Elektrikli süpürge adaptörünü (8) toz tahliye bağlantısına takın.
- Bir elektrikli süpürge hortumunu elektrikli süpürge adaptörüne (8) bağlayın.

**Not:** elektrikli süpürge kullanırken toz üfleme fonksiyonu devre dışı bırakılmalıdır.

**Toz üfleme fonksiyonu (Şekil I)**

Kesim hattındaki talaşlar ve kalıntılar toz üfleme fonksiyonu kullanılarak temizlenebilir.

- Toz üfleme fonksiyonunu etkinleştirmek için toz üfleme düğmesini (2) aşağı hareket ettirin.
- Toz üfleme fonksiyonunu devre dışı bırakmak için, toz üfleme düğmesini (2) yukarı hareket ettirin.

**İdeal kullanım için ipuçları**

- İş parçasını kelepçe ile sabitleyin. Küçük iş parçaları için bir sıkma aleti kullanın.
- Testere bıçağının ilerleyeceği yönü tanımlamak için bir çizgi çizin.
- Makineyi sapından sıkıca tutun.
- Kesim hızını ayarlayın.
- Gönye açısını ayarlayın.
- Sarkaç konumunu ayarlayın.
- Makineyi açın.
- Makine tam hıza ulaşıncaya dek bekleyin.
- Testere pabucunu iş parçasının üzerine getirin.
- Makineyi, testere pabucunu iş parçasına sıkıca bastırarak önceden çizilmiş çizgi boyunca yavaşça hareket ettirin .
- Makine üzerinde çok fazla basınç uygulamayın. İş makinesinin yapmasına izin verin.
- Makineyi kapatın ve makineyi bir kenara koymadan önce makinenin tamamen durmasını bekleyin.

**5. BAKIM**

*Temizlik ve bakımdan önce her zaman makineyi kapatın ve pil takımını makineden çıkarın.*

Makine kaplamalarını yumuşak bir bezle, tercihen her kullanımdan sonra düzenli olarak temizleyin. Havalandırma deliklerinin toz ve kirden arınmış olduğundan emin olun. Çok inatçı kirleri sabun köpüğüyle ıslatılmış yumuşak bir bezle çıkarın. Benzin, alkol, amonyak vs. gibi çözücü maddeleri kullanmayın. Bunlar gibi kimyasallar sentetik bileşenlere zarar verecektir.

**ÇEVRE**

*Arızalı ve/veya atılmış elektrikli veya elektronik ekipmanların uygun geri dönüşüm konularında toplanması gerekir.*

**Yalnızca AT ülkeleri için**

Elektrikli aletleri evsel atık olarak atmayın. Atık Elektrikli ve Elektronik Donanım için Avrupa İlkeleri 2012/19/EU'ya ve bunun yerel hukuk çerçevesinde uygulamasına göre, artık kullanılamaz olan elektrikli aletler ayrı olarak toplanmalı ve çevre dostu bir yolla imha edilmelidir.

**GARANTİ**

VONROC ürünleri yüksek kalite standartları doğrultusunda geliştirilmiştir ve ilk satın alımdan itibaren kanunen belirlenen süre boyunca materyal ve işçilik açısından kusursuz olacağı garanti edilmektedir. Bu süre zarfında, kusurlu materyal ve/veya işçilikten dolayı üründe herhangi bir arıza meydana gelmesi durumunda, doğrudan VONROC iletişim kurun.

Takip eden durumlar bu garanti kapsamı dışındadır:

- Yetkisiz servis merkezleri tarafından yapılan veya yapılmaya teşebbüs edilen onarım ve/veya değişiklikler.
- Normal aşınma ve eskime.
- Cihazın kötü ve yanlış kullanılması veya cihaza yanlış bakım yapılması.
- Orijinal olmayan yedek parçaların kullanılması

Bu, şirket tarafından açık ya da zımni verilmiş tek garantiyi oluşturur. Belirli bir amaç için ticarete elverişlilik ve uygunluğun zımni garantileri dahil dış görünüşünün ötesine uzanan açık veya zımni başka hiçbir garanti yoktur. VONROC herhangi bir arıza veya dolaylı zarardan hiçbir halükarda sorumlu olmayacaktır. Bayilerin getireceği çözümler uygunsuz birimlerin veya parçaların onarımı veya değiştirilmesiyle sınırlı olacaktır.

**Ürün ve kullanıcı kılavuzu değişikliğe tabidir.**

**Spesifikasyonlar başka bir uyarı olmaksızın değiştirilebilir.**









## DECLARATION OF CONFORMITY

**JS504DC / S\_JS504DC / S2\_JS504DC / S3\_JS504DC / S4\_JS504DC - JIG SAW**

- (EN) We declare under our sole responsibility that this product is in conformity with directive 2011/65/EU of the European parliament and of the council of 8 June on the restriction of the use of certain hazardous substances in electrical and electronic equipment is in conformity and accordance with the following standards and regulations:
- (DE) Der Hersteller erklärt eigenverantwortlich, dass dieses Produkt der Direktive 2011/65/EU des Europäischen Parlaments und des Rats vom 8. Juni 2011 über die Einschränkung der Anwendung von bestimmten gefährlichen Stoffen in elektrischen und elektronischen Geräten entspricht. den folgenden Standards und Vorschriften entspricht:
- (NL) Wij verklaren onder onze volledige verantwoordelijkheid dat dit product voldoet aan de conform Richtlijn 2011/65/EU van het Europees Parlement en de Raad van 8 juni 2011 betreffende beperking van het gebruik van bepaalde gevaarlijke stoffen in elektrische en elektronische apparatuur en in overeenstemming is met de volgende standaarden en reguleringen:
- (FR) Nous déclarons sous notre seule responsabilité que ce produit est conforme aux standards et directives suivants: est conforme à la Directive 2011/65/EU du Parlement Européen et du Conseil du 8 juin 2011 concernant la limitation d'usage de certaines substances dangereuses dans l'équipement électrique et électronique.
- (ES) Declaramos bajo nuestra exclusiva responsabilidad que este producto cumple con las siguientes normas y estándares de funcionamiento: se encuentra conforme con la Directiva 2011/65/UE del Parlamento Europeo y del Consejo de 8 de junio de 2011 sobre la restricción del uso de determinadas sustancias peligrosas en los equipos eléctricos y electrónicos.
- (IT) Dichiariamo, sotto la nostra responsabilità, che questo prodotto è conforme alle normative e ai regolamenti seguenti: è conforme alla Direttiva 2011/65/UE del Parlamento Europeo e del Consiglio dell'8 giugno 2011 sulla limitazione dell'uso di determinate sostanze pericolose nelle apparecchiature elettriche ed elettroniche.
- (SV) Vi garanterar på eget ansvar att denna produkt uppfyller och följer följande standarder och bestämmelser: uppfyller direktiv 2011/65/EU från Europeiska parlamentet och EG-rådet från den 8 juni 2011 om begränsningen av användning av farliga substanser i elektrisk och elektronisk utrustning.
- (DA) Vi erklærer under eget ansvar, at dette produkt er i overensstemmelse med følgende standarder og bestemmelser: er i overensstemmelse med direktiv 2011/65/EU fra Europa-Parlamentet og Rådet af 8. juni 2011 om begrænsning af anvendelsen af visse farlige stoffer i elektrisk og elektronisk udstyr.
- (PL) Deklarujemy na własną odpowiedzialność, że ten produkt spełnia wymogi zawarte w następujących normach i przepisach: jest zgodny z Dyrektywą 2011/65/UE Parlamentu Europejskiego i Rady z dnia 8 czerwca 2011 r. w sprawie ograniczenia stosowania niektórych niebezpiecznych substancji w sprzęcie elektrycznym i elektronicznym.
- (RO) Declaram prin aceasta cu răspunderea deplină că produsul acesta este în conformitate cu următoarele standarde sau directive: este în conformitate cu Directiva 2011/65/UE a Parlamentului European și a Consiliului din 8 iunie 2011 cu privire la interzicerea utilizării anumitor substanțe periculoase la echipamentele electrice și electronice.
- (PT) Declaramos, sob nossa exclusiva responsabilidade, que este produto está em conformidade com a directiva 2011/65/UE do Parlamento Europeu e com a directiva do conselho de 8 de Junho sobre a restrição da utilização de determinadas substâncias perigosas em equipamento eléctrico e electrónico está em conformidade e de acordo com as seguintes normas e regulamentações:
- (HU) Kizárólagos felelősségünk tudatában kijelentjük, hogy a termék megfelel az Európai Parlamentnek és a Tanácsnak az egyes veszélyes anyagok elektromos és elektronikus berendezésekben való alkalmazásának korlátozásáról szóló 2011/65/EU irányelvének (június 8.), valamint a következő szabványoknak és jogszabályoknak:
- (CZ) Prohlašujeme na svou výhradní odpovědnost, že tento výrobek splňuje požadavky směrnice 2011/65/EU Evropské rady a parlamentu ze dne 8. června, která se týká omezení používání určitých nebezpečných látek v elektrických a elektronických zařízeních, a splňuje také všechny požadavky následujících norem a předpisů:
- (TR) Tek sorumulusu biz olmak üzere bu ürünün Avrupa Parlamentosunun 2011/65/EU ve 8 Haziran 2011 tarihli konseyin elektrikli ve elektronik ekipmanlarda belirlenmiş tehlikeli malzeme kullanımının kısıtlanması hakkındaki talimatları ile birlikte aşağıda belirtilen standart ve yönergelere uygun ve uyumlu olduğunu beyan ederiz:

**EN 55014-1, EN 55014-2, EN 61000-3-2, EN 61000-3-3, EN 62841-1, EN 62841-2-11, EN 60335-1, EN 60335-2-29, 2006/42/EC, 2014/30/EU, 2014/35/EU, 2012/19/EU, 2011/65/EU**

Zwolle, 01-09-2022

H.G.F Rosberg  
CEO

**VONROC • Lingenstraat 6 • 8028 PM Zwolle • The Netherlands**



**VONROC®**  
BUILD YOUR FUTURE

©2022 VONROC  
[WWW.VONROC.COM](http://WWW.VONROC.COM)

2209-09