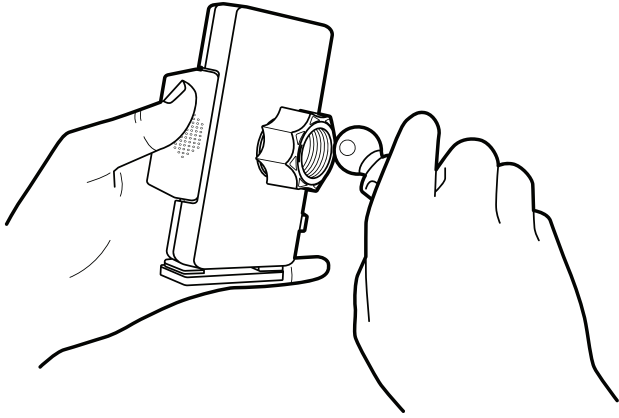


# INSTRUCTION MANUAL

IF ANY PART IS MISSING, DISTORTED OR BROKING PLEASE CONTACT INFO@STREX.NL WITH YOUR ORDER NUMBER AND PART NUMBER, WE WILL SEND A REPLACEMENT PART TO YOU AS SOON AS POSSIBLE

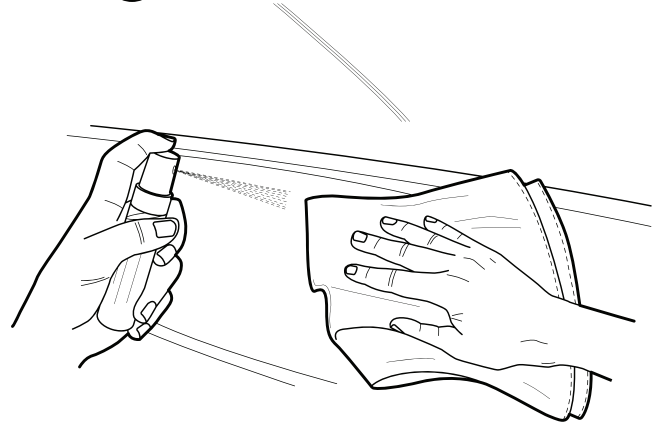
## 1. For dashboard

### STEP 1



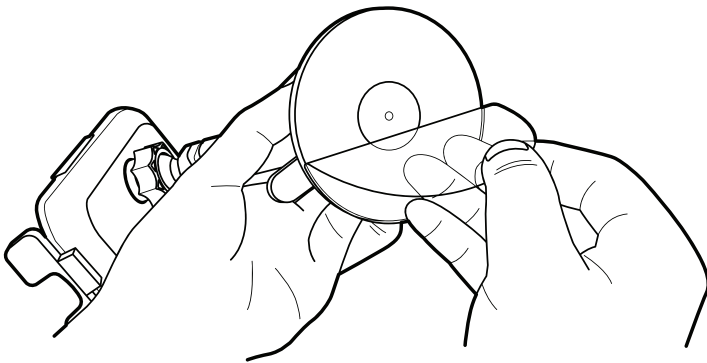
Loosen the nut, then insert the retractable rod to the back of the mobile holder and tighten the nut

### STEP 2



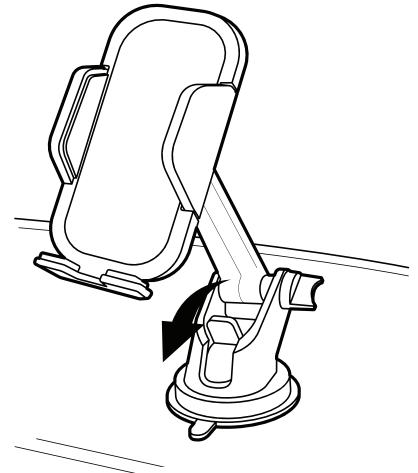
Clean the dashboard surface from any dust or grease

### STEP 3



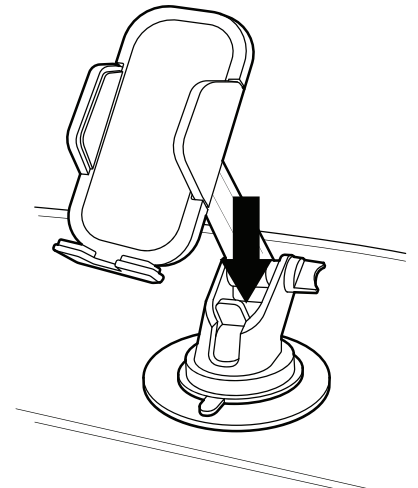
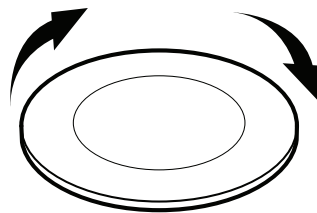
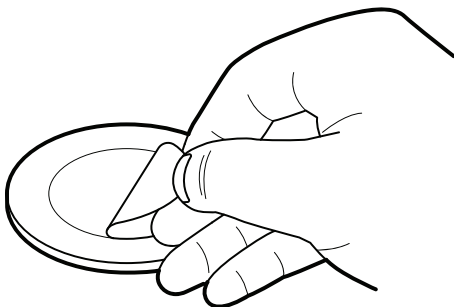
Tear off the protective sticker from the holder

### STEP 4



Unlock the buckle, mount it on the car dashboard surface and lock the buckle

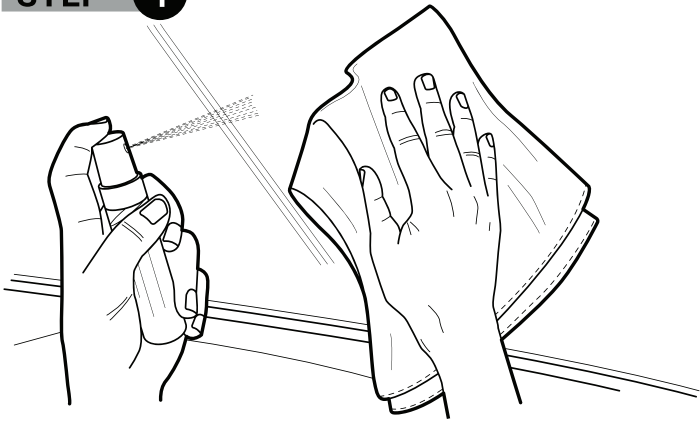
## Optional - Using the added extra strong adhesive pad



The extra adhesive strip which is optional, can be mounted to the dashboard if using the standard attached adhesive pad only is not strong enough.

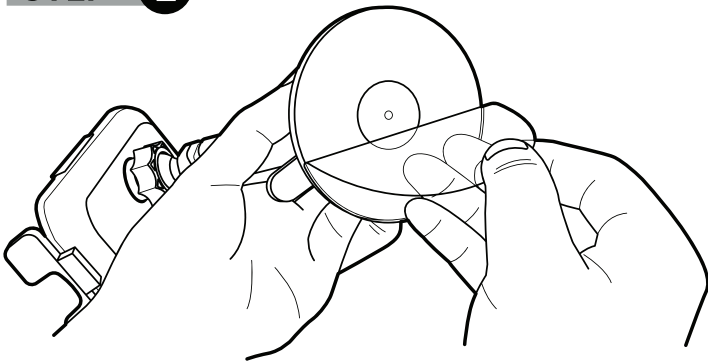
## 2. For windshield

**STEP 1**



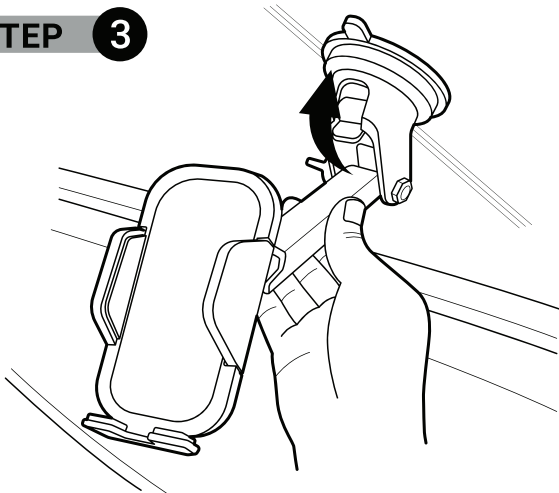
Clean the glass surface from any dust or grease

**STEP 2**



Tear off the protective sticker

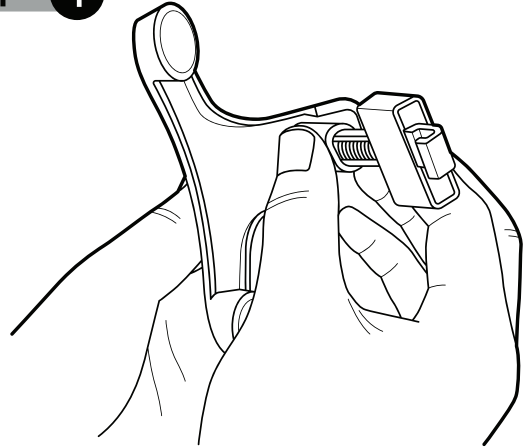
**STEP 3**



Unlock the buckle, mount it on the windscreen glass surface and lock the buckle

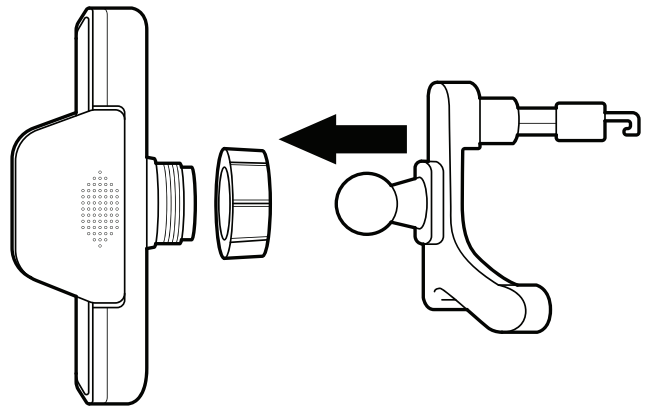
## 3. For air vent

**STEP 1**



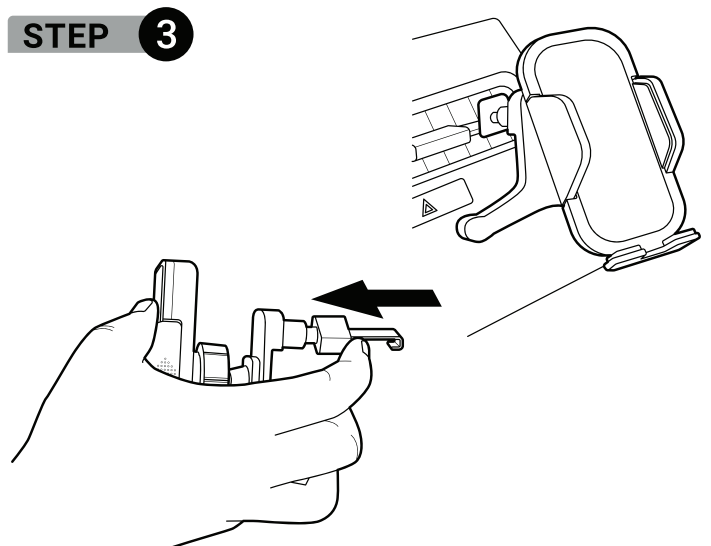
Insert the lever into the telescopic clamping arm

**STEP 2**



Assemble the vent mount to the back of the mobile holder and tightened the nut

**STEP 3**



Find a suitable spot, press and hold the lever and insert the vent mount into the ventilation shaft