



VONROC®
BUILD YOUR FUTURE

ELECTRIC PTC FAN HEATER EH510AC / EH511AC

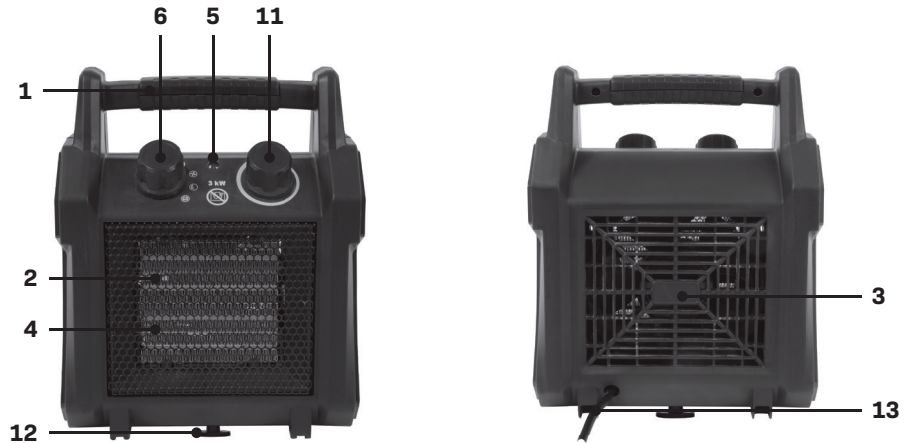


EN Original Instructions This product is only suitable for well insulated spaces or occasional use.	04 DA Oversættelse af den originale brugsanvisning Dette produkt er kun velegnet til velisolerede rum eller lejlighedsvis brug.	53
DE Übersetzung Der Originalbetriebsanleitung Dieses Produkt ist nur zum Einsatz an gut isolierten Orten oder zur gelegentlichen Verwendung vorgesehen.	11 PL Tłumaczenie instrukcji oryginalnej Ten produkt jest przeznaczony do stosowania wyłącznie w dobrze izolowanych pomieszczeniach lub do użytku okazjonalnego.	60
NL Vertaling van de oorspronkelijke gebruiksaanwijzing Dit product is alleen geschikt voor goed geïsoleerde ruimtes of incidenteel gebruik.	18 RO Traducere a instrucțiunilor originale Acest produs este adecvat numai pentru spații bine izolate sau pentru utilizare ocazională.	67
FR Traduction de la notice originale Ce produit ne convient qu'aux espaces bien isolés ou à un usage occasionnel.	25 PT Instruções originais Este produto é adequado apenas para áreas devidamente isoladas ou uso esporádico.	74
ES Traducción del manual original Este producto solo es apto para espacios correctamente aislados o para uso ocasional.	32 HU Az eredeti használati útmutató fordítása A termék kizárólag jól szigetelt terekben vagy alkalmankénti használatra ajánlott.	81
IT Traduzione delle istruzioni originali Questo prodotto è indicato solamente per spazi ben isolati o un uso occasionale.	39 CS Příklad originálního návodu k obsluze Tento výrobek je vhodný pouze pro dobře izolované prostory nebo pro příležitostné použití.	88
SV Översättning av bruksanvisning i original Denna produkt är endast avsedd för väl isolerade utrymmen eller tillfällig användning.	46	

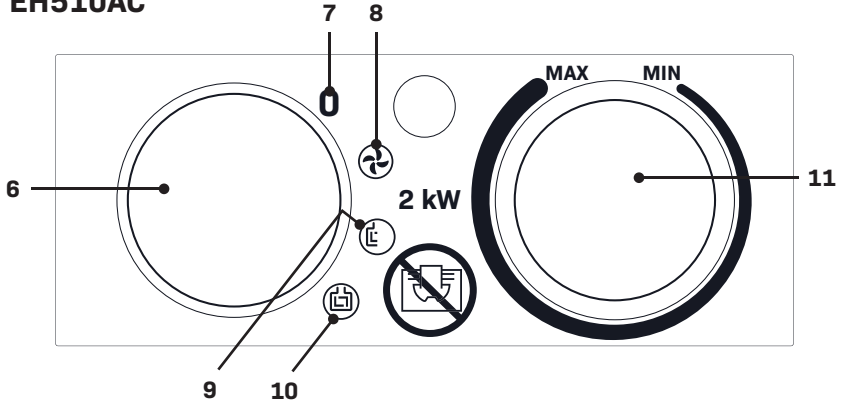
A1 EH510AC



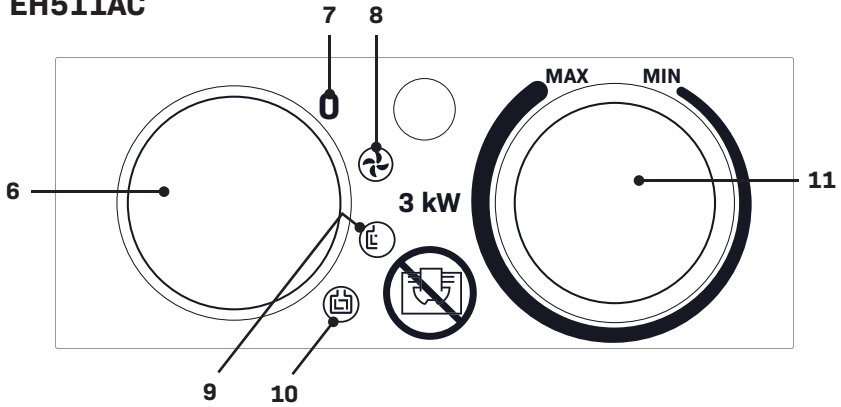
A2 EH511AC



B1 EH510AC



B2 EH511AC



1. SAFETY INSTRUCTIONS

Read the enclosed safety warnings, the additional safety warnings and the instructions. Failure to follow the safety warnings and the instructions may result in electric shock, fire and/or serious injury. Save the safety warnings and the instructions for future reference.

The following symbols are used in the user manual or on the product:



Read the user manual.



Denotes risk of personal injury, loss of life or damage to the tool in case of non-observance of the instructions in this manual.



Denotes risk of electrical shock.



Class II machine - Double insulation - You don't need any earthed plug.



Important! WARNING: In order to avoid overheating, do not cover the heater.



Do not dispose of the product in unsuitable containers.



The product is in accordance with the applicable safety standards in the European directives.

GENERAL SAFETY WARNINGS

This appliance can be used by children aged from 8 years and above and persons with reduced physical, sensory or mental capabilities or lack of experience and knowledge if they have been given supervision or instruction concerning use of the appliance in a safe way and understand the hazards involved. Children shall not play with the appliance.

Cleaning and user maintenance shall not be made by children without supervision.

Children of less than 3 years should be kept away unless continuously supervised. Children aged from 3 years and less than 8 years shall only switch on/off the appliance provided that it has been placed or installed in its intended normal operating position and they have been given supervision or

instruction concerning use of the appliance in a safe way and understand the hazards involved. Children aged from 3 years and less than 8 years shall not plug in, regulate and clean the appliance or perform user maintenance.



CAUTION — Some parts of this product can become very hot and cause burns. Particular attention has to be given where children and vulnerable people are present.

ADDITIONAL SAFETY WARNINGS FOR ELECTRIC HEATER

- Children should be kept away unless continuously supervised to ensure that they do not play with the heater.
- Children shall not plug in, position, operate, regulate and clean the appliance or perform user maintenance.
- CAUTION-some parts of this product can become very hot and cause burns. Particular attention has to be given where children and vulnerable people are present.
- The heater is not suitable for use outdoors in damp weather, in bathrooms or in other wet or damp environments.
- Please note that the heater can become very hot and should, therefore, be placed at a safe distance from flammable object such as furniture, curtains and similar.
- Use handle when moving this heater.
- Do not move the heater when it is heated. Allow the product to thoroughly cool before handling it.
- Do not cover the heater.
- The heater must not be located immediately below a socket outlet
- Do not connect the heater using an on/off timer or other equipment which can automatically switch the device on.
- The heater must not be placed/used in rooms where flammable liquids or gases are used or stored.
- If an extension cord is used, it must be as short as possible and always be fully extended.
- You must not connect other appliances to the same mains socket as the heater.
- Do not use the heater in immediate surroundings of a bath, a shower or a swimming pool.
- If the supply cord is damaged, it must be replaced by the manufacturer, its service agent or similarly qualified persons in order to avoid a hazard.

- Make sure the heater is always under surveillance and keep children and animals away from it.
- Do not place/use the heater on moving vehicles or some where easy to be tripped over.
- When the heater is not used for a long time, unplug the heater from its means. Pull the plug straight out, never remove the plug by pulling the cord.
- Keep the heater far from curtain or places where the air inlet van easily be blocked.
- The power coupler is waterproof when not in use. In order to prevent possible electric shock or leakage current, never use the heater with wet hand or operate the heater when there is water on the power cord.
- Do not dispose of electrical appliances as unsorted municipal waste, use separate collection facilities. Contact your local government for information regarding the collection systems available. If electrical appliance are disposed of in landfills or dumps, hazardous substances can leak into the groundwater and get into the food chain, damaging your health and well-being.



Warning! Do not use this heater in small rooms when they are occupied by persons not capable of leaving the room on their own, unless constant supervision is provided.



Warning! To reduce the risk of fire, keep textiles, curtains, or any other flammable material a minimum distance of 1 m from the air outlet (4).

Electrical safety

When using electric machines always observe the safety regulations applicable in your country to reduce the risk of fire, electric shock and personal injury. Read the following safety instructions and also the enclosed safety instructions.



Always check that the voltage of the power supply corresponds to the voltage on the rating plate label.

Connecting to the power supply

Check that the power supply and plug used in accordance with your machine. Have a look at the

rating plate on the machine. Any changes should always be carried out by a qualified electrician.



Warning! Avoid contact with the terminals on the plug when installing (removing) the plug to (from) the power supply outlet. Contact will cause a severe electrical shock.

Replacing cables or plugs

If the replacement of the supply cord is necessary, this has to be done by the manufacturer or his agent in order to avoid a safety hazard. Immediately throw away old cables or plugs when they have been replaced by new ones. It is dangerous to insert the plug of a loose cable in the wall outlet.

Using extension cables

Only use an approved extension cable suitable for the power input of the machine. The minimum conductor size is 1.5 mm². When using a cable reel always unwind the reel completely.

2. PRODUCT INFORMATION

Intended use

Electric PTC fan heater for warehouses, workshops and household use only. Do not use the product for any other purpose. The heater can be used in enclosed rooms in a free standing position for room heating. The heater may only be used completely mounted and standing vertically on a stable surface. It incorporates a thermostat and a self-resetting thermal cut-out to control the heating element and therefore the temperature.

TECHNICAL SPECIFICATIONS

Model No.	EH510AC	EH511AC
Power supply	220-240V~ 50Hz	
Power rating	2000W	3000W
Protection class	Class II	
Settings	22W (only fan) 1000W / 2000W	7W (only fan) 2000W / 3000W
Self-resetting Thermostat	70°C	65°C
Heating capacity	20m ²	30m ²
Length of cord	1.6m	
Weight	1.4 kg	1.5 kg

DESCRIPTION

The numbers in the text refer to the diagrams on page 2-3.

1. Handle
2. Heating element
3. Air inlet
4. Air outlet
5. Power indicator
6. Function knob
7. Off
8. Fan
9. Low heating mode
10. High heating mode
11. Thermostat knob
12. Tip-over switch
13. Power cable

3. OPERATING



Check the device for damage before use and only use in good working condition.

When using the heater for the first time, you may notice a slight emission of smoke. This is quite normal and it stops after a short time. The heating element is made of stainless steel and was coated with protection oil by production. The smoke is caused by the left oil when heated.

Placing the electric heater (Fig. A)

- Place the heater upright on a firm and a level surface.
- Keep a minimum distance of 1 m between the front of the housing and walls, combustible materials (furniture, curtains, etc.) and 30 cm from all other housing surface areas. Keep away from wet environments.
- After long storage always make sure the heating element (2) is clean and free from dust.



Warning! Make sure to place the heater in a safe spot, so you cannot easily trip over the machine and cable. Make sure to place the heater where it cannot fall down / of.

Starting the electric heater (Fig. A, B)

- Plug in the cable (13) to the mains.
- Set the thermostat knob (11) to the Max.
- The heater will switch on when the function knob (6) is set to one of the function settings.

- The power indicator light (5) will turn on.
- Once the room reaches the required temperature, turn the thermostat knob (11) back slowly until you hear back until you hear a click and the power indicator light (5) turns off.
- The heater now starts and stops automatically and therefore keeps the room temperature constant. This means once the temperature decreased, the heating element and fan will start again.

Function settings (Fig. B)

Different functions are possible by turning the function knob (6).

- Power off (7)
- Fan only (8)
- Low heating mode (9)
- High heating mode (10)

Tip-over switch (12)

This heater has an mechanical tip-over protection. This protection ensures when the heater is not placed upright on a firm and level surface or when the heater tip over, the system will automatically shut the heater off. If this occurs, put the heater on a firm and level surface and start the heater again.

Automatic Overheat Safety Control

This heater is equipped with safety internal heat limiting thermostat and overheat protection circuit. When a potential overheat temperature is reached, the system will automatically shut the heater off.

Stopping the electric heater (Fig. A, B)



Let the machine cool down before turning off by using the ventilation function.

- Turn the thermostat knob (11) to lowest position and turn the function knob to fan position (8).
- Let the fan cool down the appliance for a few minutes.
- Turn the function knob (6) to off position (7).
- Pull the plug out of the mains.

Storing the electric heater

- Always let the heater cool down completely before storing the machine.
- Never wrap the cable around the heater



Warning! Never store the machine in a wet or dusty environment

4. MAINTENANCE



Before cleaning and maintenance, always switch off the machine and remove the mains plug from the mains.

Cleaning



Let the machine cool down completely before cleaning.

- Clean the heater with a dry towel or vacuum cleaner.
- In order to protect the enclosure, don't splash water onto the heater, and never use a solvent like gasoline, isoamyl acetate, toluene, etc. to clean the heater.
- When you store the heater, let it cool down first and, keep it dry.

Trouble shooting

In case the electric heater does not work well, we give you subjoined some possible causes and their solutions.

Problem	Possible cause	Solution
The heater does not operate, even when it is plugged in and the switch, thermostat are switched on.	The plug is loose, bad connection	Pull out the plug, check the connection of the plug and socket. Then connect again.
	No power in socket outlet	Insert the plug in a proper socket
	Tip-over protection	Put the heater on a firm and level surface.
	Overheat protection	Unplug the heater and wait at least 30 minutes to cool down before restarting the heater.
The heating element glowing	The input voltage is too high or too low	Use power supply according to the rating on the label
	The air inlet (3) grill is blocked	Keep the heater far way from articles like curtain, plastic bag, paper and other things which can cover the inlet or can be easily cover on the air inlet

The appliance didn't heat up, only ventilator worked	The switch was not put at heating setting	Turn the switch to heat setting
	The thermostat operated	Turn the thermostat and listen if there is open/close voice. If there is no click and the thermostat is not damaged, the heater will automatic switch on when the appliance cooled down
	The self-retting cut-out operated	Turn the heater off and inspect the blockage of inlet or outlet. Disconnect the plug and wait at least 10 minutes for the protection system to reset before attempting to restart the heater.
Abnormal noise	The appliance is not stands upright	Put the heater on a level surface

ENVIRONMENT



Faulty and/or discarded electrical or electronic apparatus have to be collected at the appropriate recycling locations.

Only for EC countries

Do not dispose of power tools into domestic waste. According to the European Guideline 2012/19/ EU for Waste Electrical and Electronic Equipment and its implementation into national right, power tools that are no longer usable must be collected separately and disposed of in an environmentally friendly way.

WARRANTY

VONROC products are developed to the highest quality standards and are guaranteed free of defects in both materials and workmanship for the period lawfully stipulated starting from the date of original purchase. Should the product develop any failure during this period due to defective material and/or workmanship then contact VONROC directly.

The following circumstances are excluded from this guarantee:

- Repairs and or alterations have been made or attempted to the machine by unauthorized service centers;
- Normal wear and tear;
- The tool has been abused, misused or improperly maintained;
- Non-original spare parts have been used.

This constitutes the sole warranty made by company either expressed or implied. There are no other warranties expressed or implied which extend beyond the face hereof, herein, including the implied warranties of merchantability and fitness for a particular purpose. In no event shall VONROC be liable for any incidental or consequential damages. The dealers remedies shall be limited to repair or replacement of nonconforming units or parts.

The product and the user manual are subject to change. Specifications can be changed without further notice.

Model identifier(s): EH510AC					
Item	Symbol	Value	Unit	Item	Unit
Heat output				Type of heat input, for electric storage local space heaters only (select one)	
Nominal heat output	Pnom	2.0	kW	manual heat charge control, with integrated thermostat	No
Minimum heat output (indicative)	Pmin	1.0	kW	manual heat charge control with room and/or outdoor temperature feedback	No
Maximum continuous heat output	Pmax,c	2.0	kW	electronic heat charge control with room and/or outdoor temperature feedback	No
Auxiliary electricity consumption				fan assisted heat output	No
At nominal heat output	elmax	0	kW	Type of heat output/room temperature control (select one)	
At minimum heat output	elmin	0	kW	single stage heat output and no room temperature control	No
In standby mode	elSB	0	kW	Two or more manual stages, no room temperature control	No
				with mechanic thermostat room temperature control	Yes
				with electronic room temperature control	No
				electronic room temperature control plus day timer	No
				electronic room temperature control plus week timer	No
				Other control options (multiple selections possible)	
				room temperature control, with presence detection	No
				room temperature control, with open window detection	No
				with distance control option	No
				with adaptive start control	No
				with working time limitation	No
				with black bulb sensor	No
Contact details	VONROC • Lingenstraat 6 • 8028 PM • Zwolle • The Netherlands				

Model identifier(s): EH511AC					
Item	Symbol	Value	Unit	Item	Unit
Heat output				Type of heat input, for electric storage local space heaters only (select one)	
Nominal heat output	P _{nom}	3.0	kW	manual heat charge control, with integrated thermostat	No
Minimum heat output (indicative)	P _{min}	2.0	kW	manual heat charge control with room and/or outdoor temperature feedback	No
Maximum continuous heat output	P _{max,c}	3.0	kW	electronic heat charge control with room and/or outdoor temperature feedback	No
Auxiliary electricity consumption				fan assisted heat output	
At nominal heat output	e _{lmax}	0	kW	Type of heat output/room temperature control (select one)	
At minimum heat output	e _{lmin}	0	kW	single stage heat output and no room temperature control	No
In standby mode	e _{lSB}	0	kW	Two or more manual stages, no room temperature control	No
				with mechanic thermostat room temperature control	Yes
				with electronic room temperature control	No
				electronic room temperature control plus day timer	No
				electronic room temperature control plus week timer	No
				Other control options (multiple selections possible)	
				room temperature control, with presence detection	No
				room temperature control, with open window detection	No
				with distance control option	No
				with adaptive start control	No
				with working time limitation	No
				with black bulb sensor	No
Contact details	VONROC • Lingenstraat 6 • 8028 PM • Zwolle • The Netherlands				

1. SICHERHEITSHINWEISE

Lesen Sie die beigelegten Sicherheitswarnungen, die zusätzlichen Sicherheitswarnungen und die Anweisungen. Die Nichteinhaltung der Sicherheitswarnungen und der Anweisungen kann in einem Stromschlag, Brand und/oder in schweren Verletzungen resultieren. Bewahren Sie die Sicherheitswarnungen und Anweisungen für künftige Referenzzwecke auf.

Die folgenden Symbole werden im Benutzerhandbuch oder auf dem Produkt verwendet:



Lesen Sie das Benutzerhandbuch.



Bedeutet, dass bei Nichtbeachtung der Anweisungen in dieser Anleitung Verletzungen, Tod oder Beschädigung des Werkzeugs die Folge sein können.



Weist auf ein Stromschlagrisiko hin.



Werkzeug/Gerät der Schutzklasse II - schutzisoliert - kein Schutzkontaktschluss erforderlich.



Wichtig! WARNUNG: Das Heizgerät nicht abdecken, um eine Überhitzung zu vermeiden.



Das Produkt nicht in ungeeigneten Behältern entsorgen.



Das Produkt entspricht den geltenden Sicherheitsstandards in den europäischen Richtlinien.

ALLGEMEINE SICHERHEITSWARNUNGEN

Dieses Gerät darf von Kindern ab 8 Jahren und Personen mit eingeschränkten körperlichen, sensorischen oder geistigen Fähigkeiten oder fehlender Erfahrung und Kenntnissen benutzt werden, wenn sie in sicherer Weise beaufsichtigt oder eingewiesen wurden und die damit verbundenen Gefahren verstehen. Kinder dürfen nicht mit dem Gerät spielen.

Die Reinigung und Pflege durch den Benutzer darf von Kindern nicht ohne Aufsicht durchgeführt werden.

Kinder unter 3 Jahren sollten von diesem Produkt ferngehalten werden, sofern sie nicht ständig beaufsichtigt werden. Kinder zwischen 3 und 8 Jahren dürfen das Gerät nur ein- bzw. ausschalten, wenn das Gerät in seiner vorgesehenen normalen Betriebsposition aufgestellt bzw. installiert wurde und die Kinder in der sicheren Verwendung des Geräts unterwiesen wurden und die entsprechenden Gefahren verstehen oder wenn sie dabei beaufsichtigt werden. Kinder zwischen 3 und 8 Jahren dürfen das Gerät nicht mit der Stromversorgung verbinden und keine Einstellungs-, Reinigungs- oder Wartungsarbeiten daran vornehmen.



VORSICHT – Einige Teile dieses Produkts können sehr heiß werden und Verbrennungen verursachen. Besondere Aufmerksamkeit ist geboten, wenn Kinder und schutzbedürftige Personen anwesend sind.

ZUSÄTZLICHE SICHERHEITSHINWEISE FÜR ELEKTROHEIZUNGEN

- Nicht dauerhaft beaufsichtigte Kinder müssen ferngehalten werden, um sicherzustellen, dass sie nicht mit der Heizung spielen.
- Kinder dürfen das Gerät nicht anschließen, aufstellen, bedienen, regulieren und reinigen oder Wartungsarbeiten durchführen.
- VORSICHT – Einige Teile dieses Produkts können sehr heiß werden und Verbrennungen verursachen. Besondere Aufmerksamkeit ist geboten, wenn Kinder und schutzbedürftige Personen anwesend sind.
- Das Heizgerät ist nicht für den Einsatz im Freien bei feuchtem Wetter, in Badezimmern oder in anderen nassen oder feuchten Umgebungen geeignet.
- Bitte beachten Sie, dass das Heizgerät sehr heiß werden kann und daher in sicherem Abstand zu brennbaren Gegenständen wie Möbeln, Vorhängen und Ähnlichem aufgestellt werden sollte.
- Benutzen Sie den Griff, wenn Sie das Heizgerät bewegen.
- Bewegen Sie das Heizgerät nicht, wenn es aufgeheizt ist. Lassen Sie das Produkt vollständig abkühlen, bevor Sie es handhaben.
- Das Heizgerät nicht abdecken.
- Das Heizgerät darf nicht unmittelbar unter einer Steckdose aufgestellt werden.

- Das Heizgerät nicht mit einem Ein-/Aus-Timer oder anderen Geräten anschließen, die das Gerät automatisch einschalten können.
- Das Heizgerät darf nicht in Räumen aufgestellt/verwendet werden, in denen brennbare Flüssigkeiten oder Gase verwendet oder gelagert werden.
- Wenn ein Verlängerungskabel verwendet wird, muss es so kurz wie möglich und immer vollständig ausgezogen sein.
- Sie dürfen keine anderen Geräte an dieselbe Netzsteckdose wie das Heizgerät anschließen.
- Das Heizgerät nicht in unmittelbarer Nähe von Bädern, Duschen oder Swimmingpools verwenden.
- Wenn das Netzkabel beschädigt ist, muss es vom Hersteller, seinem Kundendienst oder einer ähnlich qualifizierten Stelle ausgetauscht werden, um eine Gefährdung zu vermeiden.
- Sicherstellen, dass das Heizgerät ständig überwacht wird, und Kinder und Tiere von dem Heizgerät fernhalten.
- Das Heizgerät nicht auf fahrende Fahrzeuge oder auf solche stellen, über die leicht gestolpert werden kann.
- Wenn das Heizgerät längere Zeit nicht benutzt wird, den Netzstecker aus der Steckdose ziehen. Den Stecker gerade herausziehen und ihn niemals am Kabel ziehen.
- Das Heizgerät von Vorhängen oder Orten fernhalten, an denen der Lufteinlass leicht blockiert werden kann.
- Der Netzkoppler ist wasserdicht, wenn er nicht verwendet wird. Das Heizgerät niemals mit nassen Händen verwenden und das Heizgerät niemals bedienen, wenn sich Wasser auf dem Netzkabel befindet, um einen möglichen Stromschlag oder Leckstrom zu vermeiden.
- Elektrogeräte nicht über den Hausmüll entsorgen, sondern separate Sammelstellen nutzen. Informationen zu den verfügbaren Sammelsystemen erhalten Sie von Ihrer Gemeindeverwaltung. Bei der Entsorgung von Elektrogeräten in Deponien oder auf Halden können gefährliche Stoffe in das Grundwasser und in die Nahrungskette gelangen und Ihre Gesundheit und Ihr Wohlbefinden schädigen.



Warnung! Verwenden Sie dieses Heizgerät nicht in kleinen Räumen, in denen sich Personen aufhalten, die nicht in der Lage

sind, den Raum allein zu verlassen, es sei denn, der Raum wird ständig beaufsichtigt.



Warnung! Zur Verringerung der Brandgefahr müssen Textilien, Vorhänge oder andere brennbare Materialien einen Mindestabstand von 1 m vom Luftauslass (4) haben.

Elektrische Sicherheit

Beachten Sie beim Einsatz elektrischer Geräte immer die in Ihrem Land geltenden Sicherheitsvorschriften, um die Gefahr von Bränden, Stromschlägen und Verletzungen zu vermeiden. Lesen Sie die folgenden Sicherheitshinweise und die zusätzlichen Sicherheitsanweisungen.



Überprüfen Sie immer, ob die Spannung des Netzteils mit der auf dem Typenschild angegebenen Spannung übereinstimmt.

Anschluss an die Stromversorgung

Überprüfen Sie, ob die Werte auf dem Netzteil und dem verwendeten Stecker mit denen Ihres Geräts übereinstimmen. Beachten Sie das Typenschild an der Maschine. Änderungen dürfen nur von einem qualifizierten Elektriker durchgeführt werden.



Warnung! Vermeiden Sie beim Einstecken (bzw. Herausziehen) des Steckers in die (bzw. aus der) Steckdose den Kontakt mit den Anschlüssen des Steckers. Ein Kontakt verursacht einen schweren Stromschlag.

Austausch von Kabeln oder Steckern

Wenn der Austausch des Stromkabels erforderlich ist, hat dies durch den Hersteller oder dessen Agenten zu erfolgen, um eine Sicherheitsgefahr zu vermeiden. Alte Kabel oder Stecker sofort wegwerfen, wenn sie durch neue ersetzt wurden. Es ist gefährlich, den Stecker eines losen Kabels in eine Steckdose zu stecken.

Verwendung von Verlängerungskabeln

Nur ein zugelassenes Verlängerungskabel verwenden, das für die Eingangsleistung der Maschine geeignet ist. Die minimale Leitergröße beträgt 1,5 mm². Bei Verwendung einer Kabeltrommel die Trommel immer vollständig abwickeln.

2. PRODUKTINFORMATIONEN

Verwendungszweck

Elektrischer PTC-Heizlüfter, nur für Lagerhallen, Werkstätten und Privathaushalte. Verwenden Sie das Produkt nicht für andere Zwecke. Das Heizgerät kann in geschlossenen Räumen in freistehender Position zur Raumheizung eingesetzt werden. Diese Heizung darf nur komplett montiert und stehend auf einer stabilen Unterlage betrieben werden. Sie verfügt über einen Thermostat und eine selbstrücksetzende Thermoabschaltung, um das Heizelement und damit die Temperatur zu regeln.

TECHNISCHE DATEN

Modellnr.	EH510AC	EH511AC
Stromversorgung	220-240V~ 50Hz	
Nennleistung	2000W	3000W
Schutzklasse	Klasse II	
Einstellungen	22W (nur Lüfter) 1000W / 2000W	7W (nur Lüfter) 2000W / 3000W
Selbstzurücksetzen- der Thermostat	70°C	65°C
Heizleistung	20m ²	30m ²
Kabellänge	1,6 m	
Gewicht	1,4 kg	1,5 kg

BESCHREIBUNG

Die Zahlen im Text beziehen sich auf die Abbildungen auf den Seiten 2-3.

1. Griff
2. Heizelement
3. Lufteinlass
4. Luftauslass
5. Leistungsanzeige
6. Funktionsschalter
7. Aus
8. Lüfter
9. Niedrige Heizleistung
10. Hohe Heizleistung
11. Thermostatknopf
12. Kippschutzschalter
13. Netzkabel

3. BETRIEB



Gerät vor dem Gebrauch auf Beschädigungen prüfen und nur in einwandfreiem Zustand nutzen.

Bei der erstmaligen Nutzung des Heizgeräts ist möglicherweise eine leichte Rauchentwicklung feststellbar. Das ist ganz normal und hört nach kurzer Zeit auf. Das Heizelement besteht aus Edelstahl und wurde serienmäßig mit Schutzöl beschichtet. Der Rauch wird beim Erhitzen durch das verbleibende Öl verursacht.

Aufstellung der Elektroheizung (Abb. A)

- Das Heizgerät aufrecht auf eine feste, ebene Fläche stellen.
- Einen Mindestabstand von 1 m zwischen der Vorderseite des Gehäuses und den Wänden, brennbaren Materialien (Möbeln, Vorhängen usw.) und 30 cm zu allen anderen Oberflächenbereichen des Gehäuses einhalten. Vor Nässe schützen.
- Nach langer Lagerung immer darauf achten, dass das Heizelement (2) sauber und staubfrei ist.



Warnung! Sicherstellen, dass das Heizgerät an einem sicheren Ort aufgestellt wird, damit die Maschine und Kabel keine Stolperfalle darstellen. Sicherstellen, dass das Heizgerät nicht herunterfällt.

Einschalten der Elektroheizung (Abb. A, B)

- Das Kabel (13) in die Steckdose stecken.
- Den Thermostatknopf (11) auf die höchste Stufe „MAX“ stellen.
- Die Heizung schaltet sich ein, wenn die Funktionstaste (6) auf eine der Leistungsstufen gestellt ist.
- Die Leistungsanzeigeleuchte (5) schaltet sich ein.
- Sobald der Raum die gewünschte Temperatur erreicht hat, drehen Sie den Thermostatknopf (11) langsam wieder zurück, bis ein Klicken zu hören ist und die Leistungsanzeigeleuchte (5) sich ausschaltet.
- Das Heizgerät startet und stoppt nun automatisch und hält somit die Raumtemperatur konstant. Das heißt, sobald die Temperatur

gesunken ist, starten das Heizelement und der Lüfter erneut.

Funktionsauswahl (Abb. B)

Durch Drehen des Funktionsknopfes (6) sind verschiedene Funktionen auswählbar.

- Ausschalten (7)
- Nur Lüfter (8)
- Niedrige Heizleistung (9)
- Hohe Heizleistung (10)

Kippschutzschalter (12)

Dieses Heizgerät ist mit einem mechanischen Kippschutz ausgestattet. Diese Schutzvorrichtung stellt sicher, dass das System das Heizgerät automatisch ausschaltet, wenn es nicht auf einer festen und ebenen Fläche steht oder falls es umkippt. Stellen Sie in diesem Fall das Heizgerät auf eine feste und ebene Fläche und schalten es wieder ein.

Automatische Überhitzungssicherung

Dieses Heizgerät ist mit einem internen Sicherheitstemperaturbegrenzer und einem Überhitzungsschutz ausgestattet. Wenn eine mögliche Überhitzungstemperatur erreicht ist, schaltet das System die Heizung automatisch ab.

Abschalten der Elektroheizung (Abb. A, B)



Das Gerät abkühlen lassen, bevor es mit der Lüftungsfunktion ausgeschaltet wird.

- Den Thermostatkнопf (11) auf die niedrigste Position und den Funktionsknopf auf die Lüfterposition „FAN“ (8) drehen.
- Den Lüfter das Gerät einige Minuten lang abkühlen lassen.
- Den Funktionsknopf (6) in die Ausschaltposition (7) drehen.
- Den Stecker aus der Steckdose ziehen.

Aufbewahren der Elektroheizung

- Die Heizung immer vollständig abkühlen lassen, bevor Sie das Gerät lagern.
- Das Kabel niemals um die Heizung wickeln.



Warnung! Das Gerät niemals in feuchter oder staubiger Umgebung lagern.

4. WARTUNG



Vor dem Beginn von Reinigungs- und Wartungsarbeiten immer erst die Maschine ausschalten und den Stecker aus der Steckdose ziehen.

Reinigung



Das Gerät vor der Reinigung vollständig abkühlen lassen.

- Reinigen Sie das Heizgerät mit einem trockenen Tuch oder einem Staubsauger.
- Um das Gehäuse zu schützen, kein Wasser auf die Heizung spritzen und niemals Lösungsmittel wie Benzin, Isoamylacetat, Toluol usw. verwenden, um die Heizung zu reinigen.
- Soll das Heizgerät gelagert werden, dann muss es sich zunächst abkühlen und es muss trocken gehalten werden.

Fehlersuche

Für den Fall, dass die elektrische Heizung nicht richtig funktioniert, geben wir Ihnen einige mögliche Ursachen und deren Lösungen an.

Problem	Mögliche Ursache	Lösung
Das Heizgerät funktioniert nicht, auch wenn es eingesteckt ist und der Thermostatkнопf eingeschaltet ist.	Der Stecker ist lose, schlechte Verbindung	Den Stecker herausziehen, die Verbindung des Steckers und der Steckdose prüfen. Dann wieder anschließen.
	Kein Strom in Steckdose	Den Stecker in eine ordnungsgemäße Steckdose stecken
	Kippschutz	Stellen Sie das Heizgerät auf eine feste und ebene Fläche.
	Überhitzungsschutz	Ziehen Sie den Stecker aus der Steckdose und warten Sie vor der erneuten Inbetriebnahme mindestens 30 Minuten, bis das Heizgerät abgekühlt ist.
Das Heizelement glüht	Die Eingangsspannung ist zu hoch oder zu niedrig	Das Netzteil gemäß den Angaben auf dem Etikett verwenden
	Das Lufteinlassgitter (3) ist verstopft	Das Heizgerät fern von Gegenständen halten, wie Vorhängen, Plastiktüten, Papier und anderen Gegenständen, die den Einlass verdecken oder sich leicht am Lufteinlass abdecken lassen

Das Gerät heizte nicht auf, nur der Ventilator funktionierte	Der Schalter wurde nicht auf Heizstufe gestellt	Den Schalter auf Heizstufe stellen
	Das Thermostat funktionierte	Das Thermostat drehen und hören, ob ein Öffnen-/Schließen-Geräusch ertönt. Wenn kein Klicken zu hören ist und der Thermostat nicht beschädigt ist, schaltet sich die Heizung automatisch ein, wenn das Gerät abgekühlt ist
	Die selbstrücksetzende Abschaltung war in Betrieb	Das Heizgerät ausschalten und die Verstopfung des Ein- oder Auslasses prüfen. Den Netzstecker ziehen und mindestens 10 Minuten warten, bis das Schutzsystem zurückgesetzt ist, bevor Sie versuchen, das Heizgerät neu zu starten.
Ungewöhnliches Geräusch	Das Gerät steht nicht aufrecht	Das Heizgerät auf eine ebene Fläche stellen

Folgende Umstände sind aus der Garantie ausgeschlossen:

- An der Maschine wurden von nicht autorisierten Servicestellen Reparaturen und/oder Änderungen vorgenommen oder versucht;
- Normaler Verschleiß;
- Das Gerät wurde missbräuchlich oder falsch verwendet oder unsachgemäß gewartet;
- Es wurden keine Originalersatzteile verwendet.

Dies ist die einzige ausdrückliche oder stillschweigende Garantie, die das Unternehmen übernimmt. Es gibt keine weiteren ausdrücklichen oder stillschweigenden Garantien, die über die hierin enthaltenen Angaben hinausgehen, einschließlich der stillschweigenden Garantien der Gebrauchstauglichkeit und Eignung für einen bestimmten Zweck. VONROC haftet in keinem Fall für zufällige Schäden oder Folgeschäden. Die Rechtsmittel des Händlers beschränken sich auf die Reparatur oder den Austausch der nicht konformen Geräte oder Teile.

Das Produkt und die Bedienungsanleitung können Änderungen unterliegen. Technische Daten können ohne vorherige Ankündigung geändert werden.

UMWELT



Fehlerhafte und/oder ausgesonderte elektrische oder elektronische Geräte müssen zu den entsprechenden Recycling-orten gebracht werden.

Nur für EU-Länder

Entsorgen Sie Elektrowerkzeuge nicht im Hausmüll. Nach der europäischen Richtlinie 2012/19/EU über Elektro- und Elektronik-Altgeräte und ihrer Umsetzung in nationales Recht müssen Elektrowerkzeuge, die nicht mehr verwendet werden sollen, getrennt gesammelt und auf umweltgerechte Weise entsorgt werden.

GARANTIE

VONROC-Produkte werden nach den höchsten Qualitätsstandards entwickelt und sind für den gesetzlich festgelegten Zeitraum ab dem Datum des ursprünglichen Kaufs garantiert frei von Material- und Verarbeitungsfehlern. Sollte das Produkt während dieses Zeitraums aufgrund von Material- und/oder Verarbeitungsfehlern ausfallen, wenden Sie sich bitte direkt an VONROC.

Modellbezeichnung(en): EH510AC					
Artikel	Symbol	Wert	Einheit	Artikel	Einheit
Wärmeleistung				Art der Wärmezufuhr, nur für elektrische lokale Speicherheizgeräte (eine Option auswählen)	
Nennwärmeleistung	Pnom	2,0	kW	manuelle Wärmeabgaberegulung, mit integriertem Thermostat	Nein
Minimale Wärmeleistung (Richtwert)	Pmin	1,0	kW	manuelle Wärmeabgaberegulung mit Raum- und/oder Außentemperaturrückmeldung	Nein
Maximale kontinuierliche Wärmeleistung	Pmax,c	2,0	kW	elektronische Wärmeabgaberegulung mit Raum- und/oder Außentemperaturrückmeldung	Nein
Hilfsstromverbrauch				gebläseunterstützte Wärmeleistung	
Bei Nennwärmeleistung	elmax	0	kW	Art der Wärmeleistungs-/Raumtemperaturregelung (eine Option auswählen)	
Bei minimaler Wärmeleistung	elmin	0	kW	einstufige Wärmeleistung und keine Raumtemperaturregelung	Nein
Im Bereitschaftsmodus	eISB	0	kW	Zwei oder mehr manuelle Stufen, keine Raumtemperaturregelung	Nein
				mit mechanischem Thermostat zur Raumtemperaturregelung	Ja
				mit elektronischer Raumtemperaturregelung	Nein
				elektronische Raumtemperaturregelung plus Tageszeitschaltuhr	Nein
				elektronische Raumtemperaturregelung plus Wochenzeitschaltuhr	Nein
				Weitere Regelungsoptionen (Mehrfachauswahl möglich)	
				Raumtemperaturregelung, mit Anwesenheitserkennung	Nein
				Raumtemperaturregelung, mit Erkennung offener Fenster	Nein
				mit Fernbedienungsoption	Nein
				mit adaptiver Startregelung	Nein
				mit Betriebszeitbegrenzung	Nein
				mit schwarzem Glühbirnensensor	Nein
Kontaktinformationen	VONROC • Lingenstraat 6 • 8028 PM • Zwolle • Niederlande				

Modellbezeichnung(en): EH511AC					
Artikel	Symbol	Wert	Einheit	Artikel	Einheit
Wärmeleistung				Art der Wärmezufuhr, nur für elektrische lokale Speicherheizgeräte (eine Option auswählen)	
Nennwärmeleistung	Phom	3,0	kW	manuelle Wärmeabgaberegulung, mit integriertem Thermostat	Nein
Minimale Wärmeleistung (Richtwert)	Pmin	2,0	kW	manuelle Wärmeabgaberegulung mit Raum- und/oder Außentemperaturrückmeldung	Nein
Maximale kontinuierliche Wärmeleistung	Pmax,c	3,0	kW	elektronische Wärmeabgaberegulung mit Raum- und/oder Außentemperaturrückmeldung	Nein
Hilfsstromverbrauch				gebläseunterstützte Wärmeleistung	
Bei Nennwärmeleistung	elmax	0	kW	Art der Wärmeleistungs-/Raumtemperaturregelung (eine Option auswählen)	
Bei minimaler Wärmeleistung	elmin	0	kW	einstufige Wärmeleistung und keine Raumtemperaturregelung	Nein
Im Bereitschaftsmodus	elSB	0	kW	Zwei oder mehr manuelle Stufen, keine Raumtemperaturregelung	Nein
				mit mechanischem Thermostat zur Raumtemperaturregelung	Ja
				mit elektronischer Raumtemperaturregelung	Nein
				elektronische Raumtemperaturregelung plus Tageszeitschaltuhr	Nein
				elektronische Raumtemperaturregelung plus Wochenzeitschaltuhr	Nein
				Weitere Regelungsoptionen (Mehrfachauswahl möglich)	
				Raumtemperaturregelung, mit Anwesenheitserkennung	Nein
				Raumtemperaturregelung, mit Erkennung offener Fenster	Nein
				mit Fernbedienungsoption	Nein
				mit adaptiver Startregelung	Nein
				mit Betriebszeitbegrenzung	Nein
				mit schwarzem Glühbirnensensor	Nein
Kontaktinformationen	VONROC • Lingenstraat 6 • 8028 PM • Zwolle • Niederlande				

1. VEILIGHEIDSIINSTRUCTIES

Lees de bijgesloten veiligheidswaarschuwingen, de aanvullende veiligheidswaarschuwingen en de instructies. Geef u geen gevolg aan de veiligheidswaarschuwingen en de instructies dan kan dat een elektrische schok, brand en/of ernstig letsel tot gevolg hebben. Bewaar de veiligheidswaarschuwingen en de instructies zodat u ze later ook nog kunt raadplegen.

De volgende symbolen worden gebruikt in de gebruiksaanwijzing of op het product:



Lees de gebruiksaanwijzing.



Duidt op risico op persoonlijk letsel, gevaar van een ongeluk met dodelijke afloop of beschadiging van het gereedschap als de instructies in deze handleiding niet worden opgevolgd.



Wijst op het risico op een elektrische schok.



Klasse II machine - Dubbele isolatie - Een geaarde stekker is niet nodig.



Belangrijk! WAARSCHUWING: Dek de kachel niet af om oververhitting te voorkomen.



Gooi het product niet weg in containers die daarvoor niet geschikt zijn.



Het product voldoet aan de geldende veiligheidsnormen in de Europese richtlijnen.

ALGEMENE VEILIGHEIDSWAARSCHUWINGEN

Dit apparaat mag worden gebruikt door kinderen vanaf 8 jaar en door personen met verminderde lichamelijke, zintuiglijke of geestelijke vermogens, of met een gebrek aan ervaring en kennis, mits zij onder toezicht staan of geïnstrueerd zijn betreffende het veilig gebruik van het apparaat en zich bewust zijn van de ermee verbonden risico's. Kinderen mogen niet met het apparaat spelen. Zonder toezicht mogen reiniging en onderhoud niet door kinderen worden uitgevoerd.

Kinderen jonger dan 3 jaar moeten uit de buurt worden gehouden, tenzij zij onder voortdurend

toezicht staan. Kinderen vanaf de leeftijd van 3 jaar, maar jonger dan 8 jaar mogen het apparaat alleen in- en uitschakelen, mits het apparaat is geplaatst of geïnstalleerd op een locatie die bedoeld is als de normale positie waarin het apparaat wordt gebruikt en zij onder toezicht staan of instructies hebben gekregen over het veilige gebruik van het apparaat en de gevaren ervan hebben begrepen. Kinderen vanaf de leeftijd van 3 jaar, maar jonger dan 8 jaar mogen de stekker van het apparaat niet in het stopcontact steken, het apparaat niet instellen noch reinigen, noch onderhoud van het apparaat uitvoeren.



LET OP - Sommige delen van dit product kunnen zeer warm worden en brandwonden veroorzaken. Er moet speciale aandacht worden besteed aan kinderen en kwetsbare personen.

AANVULLENDE VEILIGHEIDSWAARSCHUWINGEN VOOR ELEKTRISCHE VERWARMING

- Kinderen moeten uit de buurt gehouden worden, tenzij ze voortdurend onder toezicht staan zodat ze niet met de verwarming kunnen spelen.
- Kinderen mogen het apparaat niet aansluiten, plaatsen, bedienen, regelen en schoonmaken en geen gebruikersonderhoud uitvoeren.
- LET OP - Sommige delen van dit product kunnen zeer warm worden en brandwonden veroorzaken. Er moet speciale aandacht worden besteed aan kinderen en kwetsbare personen.
- De verwarming is niet geschikt voor gebruik buitenshuis bij vochtig weer, in badkamers of in andere natte of vochtige omgevingen.
- Houd er rekening mee dat het apparaat zeer warm kan worden en daarom op een veilige afstand van brandbare voorwerpen zoals meubels, gordijnen en dergelijke geplaatst moet worden.
- Gebruik de handgreep om deze verwarming te verplaatsen.
- Verplaats de verwarming niet wanneer deze warm is. Laat het product goed afkoelen voordat u het hanteert.
- Dek de verwarming niet af.
- De verwarming mag niet direct onder een stopcontact geplaatst worden

- Sluit de verwarming aan met een aan/uit-timer of andere apparatuur waarmee het apparaat automatisch kan worden ingeschakeld.
- De verwarming mag niet worden geplaatst/gebruikt in ruimtes waar brandbare vloeistoffen of gassen worden gebruikt of opgeslagen.
- Als een verlengsnoer wordt gebruikt, moet dit zo kort mogelijk zijn en altijd volledig zijn afgerold.
- U mag geen andere apparaten op hetzelfde stopcontact aansluiten.
- Gebruik de verwarming niet in de directe omgeving van een bad, douche of zwembad.
- Als het netsnoer beschadigd is, moet dit worden vervangen door de fabrikant, diens onderhouds-vertegenwoordiger of andere gekwalificeerde personen om gevaren te voorkomen.
- Zorg ervoor dat de verwarming altijd onder toezicht staat en houd kinderen en dieren uit de buurt.
- Plaats/gebruik de verwarming niet op bewegende voertuigen of op plaatsen waar er gemakkelijk over gestruikeld kan worden.
- Wanneer de verwarming gedurende lange tijd niet gebruikt zal worden, trek de stekker dan uit het stopcontact. Trek de stekker recht naar buiten, verwijder nooit de stekker door aan het snoer te trekken.
- Houd het apparaat ver weg van gordijnen of van plaatsen waar de luchtinlaat gemakkelijk kan worden geblokkeerd.
- De stroomkoppeling is waterdicht als deze niet in gebruik is. Om mogelijke elektrische schokken of lekstroom te voorkomen, mag u het apparaat nooit met natte handen gebruiken of het apparaat bedienen als er water op het netsnoer is.
- Gooi elektrische apparaten niet weg als ongesorteerd gemeentelijk afval, maar gebruik gescheiden inzamelvoorzieningen. Neem contact op met uw lokale overheid voor informatie over de beschikbare inzamelsystemen. Als elektrische apparaten worden afgevoerd op een stortterrein of vuilnisbelt, kunnen gevaarlijke stoffen in het grondwater lekken en in de voedselketen terechtkomen, waardoor uw gezondheid en welzijn worden geschaad.



Waarschuwing! Gebruik deze verwarming niet in kleine kamers, als er zich personen in bevinden die de kamer niet op eigen

kracht kunnen verlaten, tenzij deze onder voortdurend toezicht staan.



Waarschuwing! Houd, om het risico op brand te verminderen, stoffen, gordijnen of andere brandbare materialen op een minimumafstand van 1 m van de luchtinlaat (4).

Elektrische veiligheid

Volg tijdens het gebruiken van elektrische machines altijd de in uw land geldende veiligheidsregelgeving om het risico op brand, een elektrische schok en persoonlijk letsel te verminderen. Lees de volgende veiligheidsinstructies en de bijgevoegde veiligheidsinstructies.



Controleer altijd of de spanning van de voeding overeenstemt met de spanning op het typeplaatje.

Verbinding maken met de stroomvoorziening

Controleer dat de voeding en de stekker die wordt gebruikt passen bij de machine. Kijk naar het typeplaatje op de machine. Eventuele veranderingen moeten altijd worden uitgevoerd door een gekwalificeerde elektricien.



Waarschuwing! Vermijd contact met aansluitpunten van de stekker wanneer u de stekker in het stopcontact steekt of uit het stopcontact trekt. Contact veroorzaakt een ernstige elektrische schok.

Snoeren of stekkers vervangen

Als een netsnoer moet worden vervangen, moet dat worden gedaan door de fabrikant of een vertegenwoordiger van de fabrikant, zodat veiligheidsrisico's worden vermeden. Gooi oude kabels of stekkers meteen weg nadat ze zijn vervangen door nieuwe. Het is gevaarlijk om de stekker van een losse kabel in een stopcontact te steken.

Verlengsnoeren gebruiken

Gebruik uitsluitend een goedgekeurd verlengsnoer dat geschikt is voor het opgenomen vermogen van het apparaat. De minimumafmeting van de geleider is 1,5 mm². Wanneer u een snoerhaspel gebruikt, rol de haspel dan geheel af.

2. PRODUCTINFORMATIE

Bedoeld gebruik

Elektrische PTC verwarming met ventilator alleen voor magazijnen, werkplaatsen en huishoudelijk gebruik. Gebruik het product niet voor een ander doeleinde. De verwarming kan worden gebruikt in gesloten ruimtes in een vrijstaande positie voor kamerverwarming. De verwarming mag alleen volledig gemonteerd en verticaal op een stabiel oppervlak worden gebruikt. Het bevat een thermostaat en een zelfherstellende thermische beveiliging om het verwarmingselement en daarmee de temperatuur te regelen.

TECHNISCHE SPECIFICATIES

Modelnr.	EH510AC	EH511AC
Voeding	220-240V~ 50Hz	
Vermogensklasse	2000 W	3000 W
Beschermingsgraad	Klasse II	
Instellingen	22W (alleen ventilator) 1000W / 2000W	7W (alleen ventilator) 2000W / 3000W
Zelf -resettende thermostaat	70°C	65°C
Verwarmingselement	20m ²	30m ²
Lengte van het snoer	1,6 m	
Gewicht	1,4 kg	1,5 kg

BESCHRIJVING

De nummers in deze tekst verwijzen naar de diagrammen op pagina 2-3.

1. Handgreep
2. Verwarmingselement
3. Luchtinlaat
4. Luchttuitlaat
5. Aan/uit-indicatielampje
6. Functieknop
7. Uit
8. Ventilator
9. Lage verwarmingsmodus
10. Hoge verwarmingsmodus
11. Thermostaatknop
12. Kantelschakelaar
13. Voedingskabel

3. GEBRUIK



Controleer het apparaat vóór gebruik op beschadiging en gebruik het alleen in goede staat.

Als u de kachel voor de eerste keer gebruikt, kan er een lichte rookontwikkeling optreden. Dit is heel normaal en stopt na een korte tijd. Het verwarmingselement is gemaakt van roestvrij staal en is bij productie gecoat met beschermingsolie. De rook wordt veroorzaakt door de verdampende olie bij verwarming.

De elektrische verwarming plaatsen (afb. A)

- Plaats de verwarming op een stevige en vlakke ondergrond.
- Houd minimaal 1 m afstand tussen de voorkant van de behuizing en de muren, brandbare materialen (meubels, gordijnen, enz.) en 30 cm van alle andere oppervlakken. Houd uit de buurt van natte omgevingen.
- Zorg er na lange opslag voor dat het verwarmingselement (2) schoon en stofvrij is.



Waarschuwing! Zorg ervoor dat u de kachel op een veilige plek plaatst, zodat u niet over de machine en het snoer kunt struikelen. Zorg ervoor dat u de kachel plaatst waar deze niet kan (om)vallen.

De elektrische verwarming starten (afb. A, B)

- Steek de stekker (13) in het stopcontact.
- Zet de thermostaatknop (11) op Max.
- De kachel wordt ingeschakeld als de functieknop (6) op een van de bedrijfsstanden wordt gezet.
- Het aan/uit-indicatielampje (5) gaat branden.
- Draai, zodra de gewenste temperatuur bereikt is, de thermostaatknop (11) traag terug tot u een klik hoort en het aan/uit-indicatielampje (5) lampje uit gaat.
- De kachel zal nu automatisch starten en stoppen en daardoor de kamertemperatuur constant houden. Dit betekent dat het verwarmingselement en de ventilator opnieuw zullen starten wanneer de temperatuur afneemt.

Bedrijfsstanden (afb. B)

Er zijn verschillen standen mogelijk door aan de functieknop (6) te draaien.

- Uitschakelen (7)
- Alleen ventilator (8)
- Lage verwarmingsmodus (9)
- Hoge verwarmingsmodus (10)

Kantelschakelaar (12)

Deze verwarming is uitgerust met een mechanische beveiliging tegen omkantelen. Deze beveiliging verzekert dat wanneer de verwarming niet verticaal op een stevig en vlak oppervlak wordt geplaatst of wanneer de verwarming omkantelt, het systeem de verwarming automatisch uitschakelt. Als dit zich voordoet, plaats de verwarming dan op een stevig en vlak oppervlak en start de verwarming opnieuw.

Automatische oververhittingsbeveiliging

Deze kachel is uitgerust met een interne warmtebeperkende veiligheidsthermostaat en een oververhittingsbeveiligingscircuit. Als een potentiële oververhittingstemperatuur wordt bereikt, schakelt het systeem de kachel automatisch uit.

De elektrische verwarming stoppen (afb. A, B)



Laat het apparaat afkoelen voordat u het uitschakelt met behulp van de ventilatiefunctie.

- Draai de thermostaatknop (11) naar de laagste stand en draai de functieknop naar de ventilatorstand (8).
- Laat de ventilator het apparaat enkele minuten afkoelen.
- Draai de functieknop (6) naar de uit-positie (7).
- Trek de stekker uit het stopcontact.

De elektrische kachel opbergen

- Laat de verwarming altijd volledig afkoelen voordat u het apparaat opbergt.
- Wikkel het snoer nooit rond de verwarming



Waarschuwing! Bewaar het apparaat nooit in een natte of stoffige omgeving

4. ONDERHOUD



Schakel de machine altijd uit en trek de stekker uit het stopcontact, voordat de machine wordt gereinigd of onderhoud uitgevoerd gaat worden.

Schoonmaken



Laat het apparaat volledig afkoelen voordat u het schoonmaakt.

- Maak de verwarming schoon met een droge doek of stofzuiger.
- Ter bescherming van de behuizing mag u geen water op de verwarming spatten en nooit een oplosmiddel zoals benzine, isoamylacetaat, toluene enz. gebruiken om de verwarming te reinigen.
- Als u de verwarming wilt opbergen, laat deze dan eerst afkoelen en houd deze droog.

Problemen oplossen

In het geval dat de elektrische verwarming niet goed werkt, geven we u enkele mogelijke oorzaken en hun oplossingen.

Probleem	Mogelijke oorzaak	Oplossing
De kachel werkt niet, zelfs niet als de stekker in het stopcontact steekt en de schakelaar en de thermostaat zijn ingeschakeld.	De stekker zit los, slechte verbinding	Trek de stekker eruit, controleer de aansluitingen van de stekker en de contactdoos. Probeer het opnieuw.
	Geen stroom in een contactdoos	Steek de stekker in een andere contactdoos
	Beveiliging tegen omkantelen	Plaats de verwarming op een stevige en vlakke ondergrond.
Het verwarmingselement gloeit	Oververhittingsbeveiliging	Trek de stekker van de verwarming uit het stopcontact en wacht minstens 30 minuten om deze te laten afkoelen voordat u de verwarming opnieuw start.
	De ingangsspanning is te hoog of te laag	Gebruik een voeding die overeenkomt met de classificatie op het etiket
	Het luchtinlaat-rooster (3) is geblokkeerd	Houd de kachel ver weg van objecten zoals een gordijn, plastic zak, papier en andere dingen die de luchtinlaat kunnen bedekken of blokkeren

Het apparaat warmt niet op, alleen de ventilator werkt	De functieknop is niet op de verwarmingsstand gezet	Draai de functieknop naar de verwarmingsstand
	Het apparaat schakelt zichzelf uit	Draai de thermostaatknop en luister of er een klik hoorbaar is. Als er geen klik hoorbaar is en de thermostaat niet beschadigd is, zal de kachel automatisch inschakelen als het apparaat is afgekoeld
	Het oververhittingsbeveiligingscircuit schakelt de kachel uit	Schakel de kachel uit en controleer de blokkering van de in- of uitlaat. Trek de stekker eruit en wacht ten minste 10 minuten totdat het beveiligingssysteem is gereset voordat u probeert de kachel opnieuw op te starten.
Abnormaal geluid	Het apparaat staat niet recht op	Plaats de kachel op een vlakke ondergrond

- Reparatie en/of wijzigingen die door en niet erkend servicecentrum aan de machine werd/ werden aangebracht of waartoe een poging werd ondernomen;
- Normale slijtage;
- Het gereedschap werd misbruikt, verkeerd werd gebruikt en/of onjuist werd onderhouden;
- Niet-originele reserveonderdelen werden gebruikt.

Dit betreft de enige garantie die door de organisatie, impliciet of expliciet, wordt aangeboden. Geen andere garanties, impliciet noch expliciet, die verder strekken dan deze garantie, inclusief de impliciete garanties inzake de verkoopbaarheid en geschiktheid voor een specifiek doel. In geen geval zal VONROC aansprakelijk zijn voor incidentele schade of gevolgschade. De oplossingen van de dealers zullen beperkt zijn tot de reparatie of het vervangen van niet-conforme eenheden of onderdelen.

Het product en de gebruiksaanwijzing kunnen worden gewijzigd. Specificaties kunnen zonder voorafgaande kennisgeving worden gewijzigd.

MILIEU



Niet goed functionerende en/of afgedankte elektrische of elektronische apparaten moeten bij de juiste inzamelpunten voor recycling worden aangeboden.

Alleen voor landen in de EG

Gooi geen elektrisch gereedschap bij het huisvuil. Volgens de Europese richtlijnen 2012/19/EU voor Afgedankte Elektrische en Elektronische apparatuur en de implementatie daarvan in nationaal recht, moet elektrische gereedschap dat niet meer bruikbaar is, apart worden ingezameld en op een milieuvriendelijke wijze worden verwerkt.

GARANTIE

Producten van VONROC worden op basis van de hoogste kwaliteitsnormen ontwikkeld en zijn gegarandeerd vrij van defecten, zowel voor wat betreft het materiaal als de afwerking, gedurende de door de wet bepaalde periode, startend vanaf de datum van de originele aankoop. Mocht het product gedurende deze periode enige storingen vertonen als gevolg van gebrekkig materiaal en/of gebrekkige afwerking, dient direct contact met VONROC opgenomen te worden.

De volgende omstandigheden zijn uitgesloten van de garantie:

Modelidentificator(s): EH510AC					
Item	Symbol	Waarde	Eenheid	Item	Eenheid
Warmteafgifte				Type van warmte-ingang, alleen voor plaatselijke elektrische verwarming (selecteer er een)	
Nominale warmteafgifte	Pnom	2,0	kW	handmatige regeling warmtevermogen, met geïntegreerde thermostaat	Nee
Minimum warmteafgifte (indicatief)	Pmin	1,0	kW	handmatige regeling warmtevermogen met kamer- en/of buitentemperatuurfeedback	Nee
Maximum continu warmteafgifte	Pmax,c	2,0	kW	elektronische regeling warmtevermogen met kamer- en/of buitentemperatuurfeedback	Nee
Elektriciteitsverbruik hulpmiddelen				door ventilator geassisteerde warmteafgifte	
Bij nominale warmteafgifte	elmax	0	kW	Type van warmteafgifte/regeling kamertemperatuur (selecteer er een)	
Bij minimale warmteafgifte	elmin	0	kW	enkele stand warmteafgifte en geen regeling kamertemperatuur	Nee
In stand-bymodus	elSB	0	kW	Twee of meer handmatige standen, geen regeling kamertemperatuur	Nee
				met regeling kamertemperatuur met mechanische thermostaat	Ja
				met elektronische regeling kamertemperatuur	Nee
				elektronische regeling kamertemperatuur plus dagtimer	Nee
				elektronische regeling kamertemperatuur plus weektimer	Nee
				Andere regelopties (meerdere selecties mogelijk)	
				regeling kamertemperatuur, met aanwezigheidsdetectie	Nee
				regeling kamertemperatuur, met open venster-detectie	Nee
				met de optie regeling vanop afstand	Nee
				met adaptieve startbediening	Nee
				met werkende tijdsbeperking	Nee
				met zwarte lampsensor	Nee
Contactgegevens	VONROC • Lingenstraat 6 • 8028 PM • Zwolle • Nederland				

Modelidentificator(s): EH511AC					
Item	Symbol	Waarde	Eenheid	Item	Eenheid
Warmteafgifte				Type van warmte-ingang, alleen voor plaatselijke elektrische verwarming (selecteer er een)	
Nominale warmteafgifte	P _{nom}	3,0	kW	handmatige regeling warmtevermogen, met geïntegreerde thermostaat	Nee
Minimum warmteafgifte (indicatief)	P _{min}	2,0	kW	handmatige regeling warmtevermogen met kamer- en/of buitentemperatuurfeedback	Nee
Maximum continu warmteafgifte	P _{max,c}	3,0	kW	elektronische regeling warmtevermogen met kamer- en/of buitentemperatuurfeedback	Nee
Electriciteitsverbruik hulpmiddelen				door ventilator geassisteerde warmteafgifte	
Bij nominale warmteafgifte	el _{max}	0	kW	Type van warmteafgifte/regeling kamertemperatuur (selecteer er een)	
Bij minimale warmteafgifte	el _{min}	0	kW	enkele stand warmteafgifte en geen regeling kamertemperatuur	Nee
In stand-bymodus	el _{SB}	0	kW	Twee of meer handmatige standen, geen regeling kamertemperatuur	Nee
				met regeling kamertemperatuur met mechanische thermostaat	Ja
				met elektronische regeling kamertemperatuur	Nee
				elektronische regeling kamertemperatuur plus dagtimer	Nee
				elektronische regeling kamertemperatuur plus weektimer	Nee
Andere regelopties (meerdere selecties mogelijk)					
				regeling kamertemperatuur, met aanwezigheidsdetectie	Nee
				regeling kamertemperatuur, met open venster-detectie	Nee
				met de optie regeling vanop afstand	Nee
				met adaptieve startbediening	Nee
				met werkende tijdsbeperking	Nee
				met zwarte lampsensor	Nee
Contactgegevens	VONROC • Lingenstraat 6 • 8028 PM • Zwolle • Nederland				

1. CONSIGNES DE SÉCURITÉ

Veillez à bien lire les avertissements de sécurité, les avertissements supplémentaires de sécurité ainsi que toutes les instructions jointes. Le non-respect des avertissements de sécurité et des consignes peut entraîner des décharges électriques, des incendies et/ou de graves blessures. Conservez tous les avertissements et toutes les instructions liées à la sécurité afin de pouvoir vous y référer dans le futur.

Les symboles qui suivent sont utilisés dans la notice ou sur le produit :



Lisez la notice d'utilisation.



Indique un risque de blessure, de décès ou de détérioration de l'outil en cas de non-respect des consignes de ce manuel.



Indique un risque de décharge électrique.



Machine de classe II - À double isolation - Aucune liaison à la terre n'est nécessaire.



Important ! AVERTISSEMENT : Afin d'éviter tout risque de surchauffe, ne couvrez pas l'appareil de chauffage.



Ne jetez pas le produit de façon inappropriée.



Le produit est conforme aux normes de sécurité en vigueur des directives européennes.

AVERTISSEMENTS DE SÉCURITÉ GÉNÉRALE

Cet appareil peut être utilisé par des enfants âgés de 8 ans et plus et par des personnes aux capacités physiques, sensorielles ou intellectuelles réduites, ou qui manquent d'expérience et de connaissances, à condition qu'ils soient supervisés ou qu'ils aient été formés sur la façon sûre d'utiliser l'appareil et qu'ils comprennent les risques encourus. Les enfants ne doivent pas jouer avec l'appareil.

Le nettoyage et les opérations de maintenance à réaliser par l'utilisateur ne doivent pas être exécutés par des enfants sans surveillance.

Les enfants de moins de 3 ans doivent être gardés à l'écart, à moins d'être surveillés en permanence. Les enfants entre 3 et 8 ans ne peuvent allumer ou éteindre l'appareil, qu'à condition que ce dernier soit positionné ou installé dans sa position de service normale et que les enfants soient surveillés ou qu'ils aient appris comment utiliser l'appareil en toute sécurité et qu'ils aient compris les risques possibles. Les enfants entre 3 et 8 ans n'ont pas le droit de brancher, de régler et de nettoyer l'appareil ou d'en réaliser la maintenance.



ATTENTION - Certaines pièces de ce produit peuvent devenir très chaudes et provoquer des brûlures. Soyez particulièrement vigilant en présence d'enfants ou d'autres personnes vulnérables.

CONSIGNES DE SÉCURITÉ SUPPLÉMENTAIRES PROPRES AUX APPAREILS DE CHAUFFAGE ÉLECTRIQUES

- Les enfants doivent rester loin de l'appareil ou être constamment surveillés afin de s'assurer qu'ils ne jouent pas avec.
- Les enfants ne sont pas autorisés à brancher, déplacer, utiliser, régler et nettoyer l'appareil ou à effectuer des opérations de maintenance sur ce dernier.
- ATTENTION - Certaines pièces de ce produit peuvent devenir très chaudes et provoquer des brûlures. Soyez particulièrement vigilant en présence d'enfants ou d'autres personnes vulnérables.
- L'appareil ne doit pas être utilisé à l'extérieur par temps humide, dans des salles de bains ou dans d'autres environnements mouillés ou humides.
- Notez que l'appareil de chauffage peut devenir très chaud et qu'il doit donc être positionné à une distance sûre de tout objet inflammable (meubles, rideaux et éléments similaires).
- Utilisez la poignée pour déplacer l'appareil de chauffage.
- Ne déplacez pas l'appareil de chauffage quand il est chaud. Laissez le produit refroidir complètement avant de la manipuler.
- Ne couvrez pas l'appareil de chauffage.
- L'appareil de chauffage ne doit pas être placé directement sous une prise de courant

- Ne raccordez pas l'appareil de chauffage à un programmateur ou à un autre équipement pouvant le mettre en marche automatiquement.
- L'appareil ne doit pas être placé/utilisé dans des pièces dans lesquelles se trouvent des liquides ou des gaz inflammables.
- Si une rallonge est utilisée, elle doit être la plus courte possible et toujours complètement déroulée.
- Vous ne devez pas raccorder d'autres appareils dans la même prise de courant que cet appareil.
- N'utilisez pas l'appareil de chauffage à proximité immédiate d'une baignoire, d'une douche ou d'une piscine.
- Si le câble d'alimentation est endommagé, il doit être remplacé par le fabricant ou l'un de ses prestataires de service ou par une personne de même qualification, afin d'éviter tout risque.
- Veillez à toujours bien surveiller l'appareil de chauffage et à garder les enfants et les animaux à l'écart.
- Ne placez pas et n'utilisez pas l'appareil de chauffage dans des véhicules en mouvement ou dans des endroits d'où il pourrait facilement basculer.
- Si l'appareil de chauffage n'est pas utilisé pendant une période prolongée, débranchez-le du secteur. Tirez la prise droite, ne la débranchez jamais en tirant sur le cordon.
- Gardez l'appareil loin des rideaux ou d'autres éléments qui pourraient facilement boucher l'arrivée d'air.
- Le coupleur électrique est étanche quand il n'est pas utilisé. Afin d'éviter tout risque de décharge électrique ou de courant de fuite, n'utilisez jamais l'appareil de chauffage les mains mouillées ou si le cordon d'alimentation est mouillé.
- Ne jetez pas les appareils électriques avec les déchets ménagers, rappez-les dans un centre de tri. Contactez vos autorités locales pour obtenir des informations sur les systèmes de collecte. Si les appareils électriques sont déposés dans des décharges et des dépotoirs, des substances dangereuses peuvent fuir et pénétrer dans le sol pour se retrouver dans la chaîne alimentaire et créer ainsi un risque pour votre santé et votre bien-être.



Avertissement ! N'utilisez pas cet appareil de chauffage dans de petites pièces en

présence de personnes n'ayant pas la capacité de quitter la pièce par leurs propres moyens, à moins de vous assurer d'une surveillance permanente.



Avertissement ! Afin de réduire le risque d'incendie, maintenez tous les textiles, les rideaux et les autres matières inflammables à une distance de 1 m au moins de la sortie d'air (4).

Sécurité électrique

Quand vous utilisez des équipements électriques, veillez à toujours respecter la réglementation applicable dans votre pays en matière de sécurité afin de réduire les risques d'incendie, de décharge électrique et de blessure. Veillez à bien lire les consignes de sécurité qui suivent et également les consignes de sécurité jointes.



Veillez à toujours contrôler que la tension de l'alimentation électrique correspond à la tension mentionnée sur la plaque signalétique.

Raccordement à l'alimentation électrique

Contrôlez que l'alimentation électrique et la prise utilisées sont bien adaptées pour cette machine. Consultez la plaque signalétique de la machine. L'ensemble des modifications apportées ne peut être réalisé que par un électricien qualifié.



Avertissement ! Évitez tout contact avec les fiches de la prise au moment de brancher (débrancher) la prise dans/de la prise de courant. Tout contact pourrait conduire à une grosse décharge électrique.

Remplacement des câbles ou des prises

Si le remplacement du câble d'alimentation est nécessaire, cette intervention doit être effectuée par le fabricant ou l'un de ces agents agréés afin d'éviter tout risque. Jetez immédiatement les vieux câbles ou les vieilles prises après les avoir remplacés. Il est dangereux de brancher une prise d'un câble altéré dans une prise de courant.

Utilisation d'une rallonge

N'utilisez que des rallonges homologuées, adaptées à l'alimentation électrique de cette machine. La section minimum du fil conducteur doit être de

1,5 mm². Si vous utilisez un enrouleur de câble, déroulez toujours le câble complètement.

2. INFORMATIONS SUR LE PRODUIT

Utilisation prévue

Radiateur électrique soufflant céramique destiné aux entrepôts, aux ateliers et à un usage domestiques uniquement. N'utilisez le produit à aucunes autres fins. L'appareil de chauffage peut être utilisé posé dans des pièces fermées pour les chauffer. L'appareil de chauffage ne peut être utilisé qu'une fois complètement assemblé et posé à la verticale sur une surface stable. Il intègre un thermostat et une coupure thermique à réinitialisation automatique qui contrôlent l'élément chauffant et donc la température.

CARACTÉRISTIQUES TECHNIQUES

N° de modèle	EH510AC	EH511AC
Alimentation électrique	220-240V~ 50Hz	
Puissance nominale	2000 W	3000 W
Classe de protection	Classe II	
Paramètres	22W (ventilateur uniquement) 1000W / 2000W	7W (ventilateur uniquement) 2000W / 3000W
Thermostat à réinitialisation automatique	70°C	65°C
Capacité de chauffe	20m ²	30m ²
Longueur du câble	1,6 m	
Poids	1,4kg	1,5kg

PRÉSENTATION

Les numéros dans le texte renvoient aux diagrammes des pages 2 à 3.

1. Poignée
2. Élément chauffant
3. Arrivée d'air
4. Sortie d'air
5. Indicateur de puissance
6. Bouton Fonction
7. Éteint
8. Ventilateur
9. Mode Chauffage léger
10. Mode Chauffage fort

11. Bouton du thermostat
12. Dispositif de sécurité antichute
13. Câble électrique

3. UTILISATION



Contrôlez l'absence de dommage avant l'utilisation et ne faites fonctionner l'appareil que s'il est en bon état.

Lors de la première utilisation, une légère fumée est possible. Cela est normal et cesse après une courte période. L'élément chauffant est fabriqué à partir d'acier inoxydable et il a été enduit d'huile de protection en usine. La fumée provient du reste d'huile qui chauffe à la mise en marche.

Installer l'appareil de chauffage électrique (Fig. A)

- Placez l'appareil de chauffage debout, sur une surface ferme et de niveau.
- Laissez au minimum 1 m entre l'avant du corps de l'appareil et les murs et les matières combustibles (meubles, rideaux, etc.), et 30 cm par rapport à toutes les autres surfaces. Gardez l'appareil loin des environnements humides.
- Après une longue période de stockage, assurez-vous que l'élément chauffant (2) est propre et exempt de poussière.



Avertissement ! Veillez à placer l'appareil de chauffage dans un endroit sûr, où vous ne pourrez pas trébucher sur l'appareil et le câble. Veillez à placer l'appareil de chauffage là où il ne pourra pas chuter.

Mettre l'appareil de chauffage électrique en marche (Fig. A, B)

- Branchez le câble électrique (13).
- Réglez le bouton du thermostat (11) sur Max.
- L'appareil de chauffage s'allume lorsque le bouton Fonction (6) est positionné sur l'une des positions de réglage.
- Le voyant de puissance (5) s'allume.
- Une fois que la pièce a atteint la température voulue, tournez lentement le bouton du thermostat (11) vers l'arrière jusqu'à entendre le clic et que le voyant (5) s'éteigne.
- L'appareil de chauffage démarre et s'arrête automatiquement pour conserver une température constante dans la pièce. Dès que la température

redescend, l'élément chauffant et le ventilateur se remettent en marche.

Fonctions (Fig. B)

Les différents modes de fonctionnement sont disponibles en tournant le bouton Fonction (6).

- Alimentation coupée (7)
- Ventilateur uniquement (8)
- Mode Chauffage léger (9)
- Mode Chauffage fort (10)

Dispositif de sécurité antichute (12)

Cet appareil de chauffage est équipé d'une protection mécanique contre les chutes. Cette protection permet de garantir que l'appareil se coupe automatiquement, s'il n'est pas posé droit sur une surface dure et de niveau ou s'il bascule. Si cela se produit, reposez l'appareil de chauffage sur une surface dure et de niveau avant de le rallumer.

Contrôle de surchauffe automatique

Cet appareil de chauffage est équipé d'un thermostat de sécurité interne qui limite la chaleur et d'un circuit de protection contre les surchauffes. Si une température de potentielle surchauffe est atteinte, le système coupe automatiquement l'appareil de chauffage.

Éteindre l'appareil de chauffage électrique (Fig. A, B)



Laissez l'appareil refroidir en mode Ventilateur, avant de l'éteindre.

- Tournez le bouton du thermostat (11) jusqu'à la position la plus basse et tournez le bouton Fonction sur la fonction Ventilateur (8).
- Laissez le ventilateur refroidir l'appareil pendant quelques minutes.
- Tournez le bouton Fonction (6) jusqu'à la position Arrêt (7).
- Débranchez la prise de la prise murale.

Ranger l'appareil de chauffage électrique

- Laissez toujours complètement refroidir l'appareil de chauffage avant de le ranger.
- N'enroulez jamais le câble autour de l'appareil de chauffage



Avertissement ! Ne rangez jamais l'appareil dans un endroit humide et/ou poussiéreux

4. MAINTENANCE



Avant toute opération de nettoyage ou de maintenance, éteignez toujours la machine et débranchez-la.

Nettoyage



Laissez l'appareil refroidir complètement avant de le nettoyer.

- Nettoyez l'appareil de chauffage à l'aide d'un chiffon sec ou d'un aspirateur.
- Afin de protéger l'enveloppe de l'appareil de chauffage, n'aspergez pas ce dernier d'eau et n'utilisez jamais aucun solvant (essence, acétate d'isoamyle, toluène, etc.) pour le nettoyer.
- Pour ranger l'appareil de chauffage, laissez-le d'abord refroidir et gardez-le au sec.

Dépannage

Si l'appareil de chauffage électrique ne fonctionne pas correctement, voici quelques causes et solutions possibles.

Problème	Cause possible	Solution
L'appareil de chauffage ne fonctionne pas, même branché, interrupteur enfoncé et thermostat réglé.	La prise est mal branchée, mauvais raccordement	Débranchez la prise, contrôlez le branchement de la prise dans la prise murale. Rebranchez la prise.
	La prise murale n'est pas alimentée	Insérez la prise de l'appareil dans une prise qui fonctionne
	Protection antichute	Positionnez l'appareil de chauffage sur une surface ferme et de niveau.
	Protection contre la surchauffe	Débranchez l'appareil de chauffage et attendre 30 minutes au moins qu'il refroidisse avant de le remettre en marche.
L'élément chauffant rougeois	La tension d'entrée est trop élevée ou trop basse	Utilisez une alimentation électrique conforme aux valeurs mentionnées sur l'étiquette
	La grille d'arrivée d'air (3) est bloquée	Éloignez l'appareil de chauffage des rideaux, sacs plastique, papiers ou de toute autre chose qui pourrait gêner l'arrivée d'air

L'appareil ne chauffe pas, seul le ventilateur fonctionne	L'interrupteur n'a pas été réglé sur Chauffage	Tournez l'interrupteur jusqu'à la position Chauffage
	Le thermostat s'est déclenché	Tournez le thermostat et écoutez si un clic se produit. S'il n'y a pas de clic et que le thermostat n'est pas endommagé, l'appareil de chauffage s'allume automatiquement une fois refroidi
	La coupure à réinitialisation automatique s'est déclenchée	Éteignez l'appareil de chauffage et contrôlez l'absence de blocage de l'arrivée ou de la sortie d'air. Débranchez la prise et patientez au moins 10 minutes pour que le système de sécurité se réinitialise avant de redémarrer l'appareil de chauffage.
Bruit anormal	L'appareil n'est pas bien posé à la verticale	Placez l'appareil de chauffage sur une surface de niveau

Les conditions suivantes sont exclues de la garantie :

- Réparations ou modifications sur la machine, faites ou tentées par des réparateurs non agréés ;
- Usure normale ;
- Utilisation abusive ou incorrecte ou maintenance incorrecte de l'outil ;
- Utilisation de pièces détachées non d'origine.

Ceci constitue l'unique garantie, explicite ou implicite, proposée par la société. Il n'existe aucune autre garantie, explicite ou implicite, qui puisse dépasser le cadre de la présente garantie, y compris les garanties implicites de qualité marchande et d'adaptation à un usage particulier. En aucun cas, VONROC ne saurait être tenu responsable pour les dommages accidentels ou consécutifs. Les recours des revendeurs sont limités à la réparation ou au remplacement des équipements ou des pièces non conformes.

ENVIRONNEMENT



Les appareils électriques et électroniques défectueux ou en fin de vie doivent être rapportés dans des sites de recyclage appropriés.

Pour les pays de la Communauté Européenne uniquement

Ne jetez pas les outils électriques avec les déchets ménagers. Conformément à la Directive Européenne 2012/19/UE relative à l'élimination des déchets électriques et électroniques et à sa transposition dans la législation nationale, les outils électriques usagés doivent être collectés séparément et être jetés de façon écologique.

GARANTIE

Les produits VONROC sont développés avec les normes de qualité les plus hautes et ils sont garantis pour être exempts de défaut de pièces et de main d'œuvre pour la durée stipulée par la loi et à compter de la date d'achat initiale. Si, au cours de cette période, le produit devait rencontrer une quelconque panne due à un défaut de pièce ou de main d'œuvre, contactez VONROC directement.

Le produit et la notice d'utilisation sont sujets à modifications. Les caractéristiques peuvent être modifiées sans notification préalable.

Identifiant(s) modèle(s) : EH510AC					
Élément	Symbole	Valeur	Unité	Élément	Unité
Puissance calorifique				Type d'apport thermique, pour dispositif de chauffage par accumulation uniquement (sélectionnez un élément)	
Puissance calorifique nominale	Pnom	2,0	kW	contrôle de la charge calorifique manuel, avec thermostat intégré	Non
Puissance calorifique minimum (à titre indicatif)	Pmin	1,0	kW	contrôle de la charge calorifique manuelle avec report de la température de la pièce/ extérieure	Non
Puissance calorifique continue maximum	Pmax,c	2,0	kW	contrôle de la charge calorifique électronique avec report de la température de la pièce/extérieure	Non
Consommation électrique auxiliaire				puissance calorifique assistée par ventilateur	
Consommation électrique auxiliaire				Non	
À la puissance calorifique nominale	elmax	0	kW	Type de contrôle de la puissance calorifique/ contrôle de la température de la pièce (sélectionnez un élément)	
À la puissance calorifique minimum	elmin	0	kW	puissance calorifique à une phase et sans contrôle de la température de la pièce	Non
En mode Veille	eISB	0	kW	Deux phases manuelles ou plus, pas de contrôle de la température de la pièce	Non
				avec contrôle mécanique de la température de la pièce	Oui
				avec contrôle électronique de la température de la pièce	Non
				contrôle électronique de la température de la pièce et minuterie quotidienne	Non
				contrôle électronique de la température de la pièce et minuterie hebdomadaire	Non
				Autres options de commande (plusieurs sélections possibles)	
				contrôle de la température de la pièce avec détecteur de présence	Non
				contrôle de la température de la pièce avec détecteur de fenêtre ouverte	Non
				avec option commande à distance	Non
				avec commande de démarrage progressif	Non
				avec limite de la durée de fonctionnement	Non
				avec capteur ampoule noire	Non
Coordonnées	VONROC • Lingenstraat 6 • 8028 PM • Zwolle • Pays-Bas				

Identifiant(s) modèle(s) : EH511AC					
Élément	Symbole	Valeur	Unité	Élément	Unité
Puissance calorifique				Type d'apport thermique, pour dispositif de chauffage par accumulation uniquement (sélectionnez un élément)	
Puissance calorifique nominale	Pnom	3,0	kW	contrôle de la charge calorifique manuel, avec thermostat intégré	Non
Puissance calorifique minimum (à titre indicatif)	Pmin	2,0	kW	contrôle de la charge calorifique manuelle avec report de la température de la pièce/extérieure	Non
Puissance calorifique continue maximum	Pmax,c	3,0	kW	contrôle de la charge calorifique électronique avec report de la température de la pièce/extérieure	Non
Consommation électrique auxiliaire				puissance calorifique assistée par ventilateur	
				Non	
À la puissance calorifique nominale	elmax	0	kW	Type de contrôle de la puissance calorifique/ contrôle de la température de la pièce (sélectionnez un élément)	
À la puissance calorifique minimum	elmin	0	kW	puissance calorifique à une phase et sans contrôle de la température de la pièce	Non
En mode Veille	eISB	0	kW	Deux phases manuelles ou plus, pas de contrôle de la température de la pièce	Non
				avec contrôle mécanique de la température de la pièce	Oui
				avec contrôle électronique de la température de la pièce	Non
				contrôle électronique de la température de la pièce et minuterie quotidienne	Non
				contrôle électronique de la température de la pièce et minuterie hebdomadaire	Non
				Autres options de commande (plusieurs sélections possibles)	
				contrôle de la température de la pièce avec détecteur de présence	Non
				contrôle de la température de la pièce avec détecteur de fenêtre ouverte	Non
				avec option commande à distance	Non
				avec commande de démarrage progressif	Non
				avec limite de la durée de fonctionnement	Non
				avec capteur ampoule noire	Non
Coordonnées	VONROC • Lingenstraat 6 • 8028 PM • Zwolle • Pays-Bas				

1. INSTRUCCIONES DE SEGURIDAD

Lea las advertencias de seguridad, las advertencias de seguridad adicionales y las instrucciones adjuntas. Si no respeta las advertencias de seguridad y las instrucciones, pueden ocasionarse descargas eléctricas, incendios y/o lesiones graves. Guarde las advertencias de seguridad y las instrucciones para su futura consulta.

En el manual de usuario y en el producto se emplean los siguientes símbolos:



Lea el manual de usuario.



Denota riesgo de lesiones personales, muerte o daños a la herramienta en caso de incumplimiento de las instrucciones del presente manual.



Denota riesgo de descarga eléctrica.



Máquina de clase II - Doble aislamiento - No requiere enchufe de puesta a tierra.



¡Importante! ADVERTENCIA: Para evitar el sobrecalentamiento, no cubra el calefactor.



No tire el producto en contenedores inadecuados.



El producto es conforme a las normas de seguridad aplicables establecidas en las directivas europeas.

ADVERTENCIAS DE SEGURIDAD GENERALES

Este aparato puede ser utilizado por niños a partir de 8 años de edad y por personas con capacidades físicas, sensoriales o mentales reducidas o que carezcan de experiencia y conocimientos, si están supervisadas o capacitadas sobre el uso del aparato de modo seguro y si comprenden los peligros que supone. Los niños no deben jugar con el aparato.

La limpieza y el mantenimiento de usuario no deben ser efectuados por niños, sin supervisión.

Los niños menores de 3 años de edad deben mantenerse alejados, salvo que estén continuamente vigilados. Los niños de 3 a 8 años de edad pueden solo encender y apagar el aparato, siempre que

este haya sido colocado o instalado en su posición de funcionamiento normal prevista y estén vigilados o se les hayan dado instrucciones sobre el uso del aparato en modo seguro y entiendan los peligros que supone el uso. Los niños de 3 a 8 años de edad no deberán enchufar, ajustar ni limpiar el aparato ni realizar el mantenimiento de usuario.



CUIDADO — Algunas partes de este producto pueden calentarse mucho y causar quemaduras. Debe prestarse especial atención cuando haya niños y personas vulnerables.

ADVERTENCIAS DE SEGURIDAD ADICIONALES PARA CALEFACTORES ELÉCTRICOS

- Los niños deben mantenerse alejados del calefactor a menos que estén vigilados, para evitar que jueguen con el calefactor.
- Se prohíbe que los niños conecten, coloquen, utilicen, regulen o limpien el aparato o que realicen cualquier tipo de mantenimiento del mismo.
- CUIDADO - Algunas partes de este producto pueden alcanzar temperaturas elevadas y causar quemaduras. Debe prestarse especial atención cuando haya niños y personas vulnerables.
- El calefactor no es adecuado para uso en exteriores con clima húmedo, en baños ni en otros entornos mojados o húmedos.
- Tenga en cuenta que el calefactor puede calentarse mucho, por lo que debe colocarse a una distancia segura de objetos que puedan arder fácilmente, como muebles, cortinas y otros similares.
- Use el asa para desplazar el calefactor.
- No mueva el calefactor cuando esté caliente. Deje que el producto se enfríe completamente antes de manipularlo.
- No cubra el calefactor.
- El calefactor no debe colocarse justo debajo de una toma de corriente
- No encienda el calefactor con un temporizador de encendido/apagado ni con otros dispositivos que puedan encenderlo automáticamente.
- El calefactor no debe colocarse ni utilizarse en habitaciones en las que se utilicen o se guarden líquidos o gases inflamables.
- Si utiliza un cable prolongador, este debe ser lo más corto posible y siempre debe estar totalmente extendido.

- No conecte otros aparatos a la misma toma de corriente a la que esté conectado el calefactor.
- No utilice el calefactor cerca de bañeras, duchas o piscinas.
- Si el cable de alimentación se daña, debe ser sustituido por el fabricante, un taller de reparación autorizado u otros técnicos cualificados, para evitar peligros.
- Asegúrese de que el calefactor esté siempre vigilado y mantenga alejados de él a niños y animales.
- No coloque ni utilice el calefactor en vehículos en movimiento ni en lugares en los que pueda tropezarse con él.
- Si el calefactor no va a utilizarse durante un periodo prolongado de tiempo, desconéctelo de la red eléctrica. Tire directamente del enchufe, nunca del cable.
- Mantenga el calefactor alejado de cortinas o lugares en que se pueda bloquear fácilmente la entrada de aire.
- El conector de potencia es impermeable cuando no está en uso. Para evitar posibles descargas eléctricas o corrientes de fuga, no utilice nunca el calefactor con las manos húmedas ni lo manipule si el cable de alimentación tiene agua.
- No tire los aparatos eléctricos al contenedor de residuos sin clasificar. Llévelos siempre a los puntos de recogida selectiva. Consulte a su administración local sobre los sistemas de recogida de residuos disponibles. Si el aparato eléctrico va a parar a vertederos, puede desprender sustancias peligrosas que lleguen a las aguas subterráneas y se introduzcan en la cadena alimenticia, perjudicando su salud y bienestar.



¡Advertencia! No utilice este calefactor en habitaciones pequeñas cuando en ellas haya personas que no puedan salir de la habitación por sí mismas, salvo que se proporcione una supervisión constante.



¡Advertencia! Para reducir el riesgo de incendio, mantenga los tejidos, cortinas o cualquier otro material inflamable a una distancia mínima de 1 metro de la salida de aire (4).

Seguridad eléctrica

Cuando utilice aparatos eléctricos, respete siempre las normas de seguridad aplicables en su país, para reducir el riesgo de incendio, descarga eléctrica y lesiones personales. Lea las siguientes instrucciones de seguridad y también las instrucciones de seguridad adjuntas.



Compruebe siempre que la tensión de alimentación coincida con la tensión indicada en la placa de datos.

Conexión a la fuente de alimentación

Compruebe que la fuente de alimentación y el enchufe utilizados sean adecuados para la máquina. Consulte los datos de la placa de datos de la máquina. Todos los cambios deben ser realizados siempre por un electricista cualificado.



¡Advertencia! Evite el contacto con los terminales del enchufe cuando conecte el enchufe en la toma de corriente o cuando lo desconecte. El contacto puede causar una fuerte descarga eléctrica.

Sustitución de cables o enchufes

Si es necesario cambiar el cable de alimentación, debe hacerlo el fabricante o su representante para evitar riesgos de seguridad. Deseche inmediatamente los cables o enchufes viejos retirados cuando hayan sido sustituidos por otros nuevos. Es peligroso insertar el enchufe de un cable suelto a una toma de corriente de pared.

Uso de cables prolongadores

Use solo un cable prolongador apto para la potencia nominal de la máquina. El tamaño mínimo del conductor es de 1,5 mm². Cuando utilice un carrete de cable, desenróllelo siempre completamente.

2. INFORMACIÓN SOBRE EL PRODUCTO

Uso previsto

Calefactor termoventilador eléctrico PTC para usar solo en almacenes y talleres y para uso doméstico. No utilice el producto para ninguna otra finalidad. El calefactor puede utilizarse en habitaciones cerradas y colocarse en el lugar que se considere adecuado para calefaccionar la habitación. El calefactor puede utilizarse solo cuando está totalmente

montado y colocado en posición vertical sobre una superficie estable. Incluye un termostato y un interruptor térmico con reposición automática para controlar el elemento calefactor y, por lo tanto, la temperatura.

ESPECIFICACIONES TÉCNICAS

Modelo n.º	EH510AC	EH511AC
Alimentación eléctrica	220-240 V~ 50 Hz	
Potencia nominal	2000W	3000W
Clase de protección	Clase II	
Configuración	22W (solo ventilador) 1000W / 2000W	7W (solo ventilador) 2000W / 3000W
Termostato con reposición automática	70°C	65°C
Capacidad de calefacción	20 m ²	30 m ²
Longitud del cable	1,6 m	
Peso	1,4 kg	1,5 kg

DESCRIPCIÓN

Los números del texto se refieren a los diagramas de las páginas 2-3.

1. Asa
2. Elemento calefactor
3. Entrada de aire
4. Salida de aire
5. Indicador de alimentación
6. Botón de mando
7. Apagado
8. Ventilador
9. Modo de calefacción baja
10. Modo de calefacción alta
11. Botón del termostato
12. Interruptor antivuelcos
13. Cable de alimentación

3. FUNCIONAMIENTO



Antes de usar el dispositivo, compruebe que no tenga daños, y úselo solo si está en buen estado de funcionamiento.

Al utilizar el calefactor por primera vez, es posible que perciba una ligera emisión de humo. Esto es

normal y deja de ocurrir enseguida. El elemento calefactor está hecho de acero inoxidable y, durante la fabricación, se recubrió con aceite protector. El humo se debe al calentamiento del aceite restante.

Colocación del calefactor eléctrico (Fig. A)

- Coloque el calefactor en vertical sobre una superficie estable y plana.
- Mantenga una distancia mínima de 1 m entre la parte frontal de la carcasa y las paredes y los materiales combustibles (muebles, cortinas, etc.); y una distancia de 30 cm de todas las demás superficies de la carcasa. Manténgalo alejado de entornos húmedos.
- Cuando el calefactor lleve mucho tiempo guardado, compruebe que el elemento calefactor (2) esté limpio y sin polvo.



¡Advertencia! Asegúrese de colocar el calefactor en un sitio seguro, de forma que no pueda tropezar con él y con el cable. Asegúrese de colocar el calefactor en un lugar en el que no pueda caerse.

Arranque del calefactor eléctrico (Fig. A, B)

- Conecte el cable (13) a la red eléctrica.
- Ajuste el botón del termostato (11) en la potencia máxima.
- El calefactor se encenderá al girar el botón de mando (6) hacia uno de los ajustes de funcionamiento.
- Se encenderá la luz indicadora de alimentación (5).
- Cuando se alcance la temperatura deseada en la habitación, gire lentamente hacia atrás el botón del termostato (11) hasta que escuche un clic y la luz indicadora de alimentación (5) se apague.
- El calefactor se encenderá y se apagará automáticamente, manteniendo así una temperatura constante en la habitación. Esto significa que, cuando la temperatura descienda, el elemento calefactor y el ventilador volverán a encenderse.

Configuración de funcionamiento (Fig. B)

El funcionamiento se regula mediante el botón de mando (6).

- Apagado (7)
- Solo ventilador (8)
- Modo de calefacción baja (9)
- Modo de calefacción alta (10)

Interruptor antivuelcos (12)

Este calefactor tiene una protección mecánica antivuelcos. Esta protección garantiza que el sistema apague automáticamente el calefactor cuando el calefactor no está colocado en vertical sobre una superficie firme y nivelada o cuando el calefactor se vuelca. Si esto ocurre, coloque el calefactor en una superficie firme y nivelada y vuelva a encenderlo.

Protección automática contra el sobrecalentamiento

Este calefactor está equipado con un termostato interno de seguridad que limita el calentamiento y un circuito de protección contra el sobrecalentamiento. Si se alcanza una temperatura que pueda provocar el sobrecalentamiento, el sistema apagará el calefactor automáticamente.

Parada del calefactor eléctrico (Fig. A, B)



Deje que el aparato se enfríe antes de apagarlo, utilizando para ello la función de ventilación.

- Gire el botón del termostato (11) a la potencia más baja, y el botón de mando a la posición de ventilación (8).
- Deje que el ventilador enfríe el aparato durante unos minutos.
- Gire el botón de mando (6) a la posición de apagado (7).
- Extraiga el enchufe de la red eléctrica.

Almacenamiento del calefactor eléctrico

- Deje siempre que el calefactor se enfríe completamente antes de guardarlo.
- No enrolle nunca el cable alrededor del calefactor.



¡Advertencia! No guarde nunca el aparato en un entorno húmedo o polvoriento.

4. MANTENIMIENTO



Antes de realizar la limpieza y el mantenimiento, apague siempre la máquina y extraiga el enchufe de la red de alimentación.

Limpieza



Deje que el aparato se enfríe completamente antes de limpiarlo.

- Limpie el calefactor con un paño seco o una aspiradora.
- Para proteger la carcasa, no rocíe agua sobre el calefactor ni utilice nunca disolventes –como gasolina, acetato isoamílico, tolueno, etc.– para limpiar el calefactor.
- Antes de guardar el calefactor, déjelo enfriar antes y manténgalo seco.

Solución de problemas

En caso de que el calefactor no funcione bien, le indicamos a continuación algunas posibles causas y sus soluciones.

Problema	Posible causa	Solución
En calefactor no funciona, aunque está enchufado y el interruptor y el termostato están en la posición de encendido.	El enchufe está flojo. No hay una buena conexión.	Extraiga el enchufe y compruebe la conexión del enchufe y la caja del enchufe. Después, vuelva a enchufarlo de nuevo.
	La toma de corriente no tiene alimentación.	Inserte el enchufe en una caja de enchufe adecuada.
	Protección antivuelcos	Coloque el calefactor sobre una superficie estable y nivelada.
	Protección contra sobrecalentamiento	Desenchufe el calefactor y espere al menos 30 minutos a que enfríe antes de reiniciarlo.
El elemento calefactor se pone al rojo.	El voltaje de entrada es demasiado alto o demasiado bajo.	Utilice la alimentación eléctrica según las especificaciones de la etiqueta.
	La rejilla de entrada de aire (3) está bloqueada.	Mantenga el calefactor alejado de cortinas, bolsas de plástico, papel y otros objetos que puedan tapar la entrada fácilmente.

El aparato no calienta. Solo se enciende el ventilador.	El botón no se ha puesto en la posición de calentamiento.	Gire el botón a la posición de calentamiento.
	El termostato no funciona	Gire el termostato y compruebe si se oye un clic de encendido/apagado. Si no se escucha ningún clic y el termostato no está dañado, el calefactor se encenderá automáticamente cuando se haya enfriado.
	El interruptor con reposición automática no funciona.	Apague el calefactor y compruebe si la entrada o la salida están bloqueadas. Desconecte el enchufe y espere al menos 10 minutos a que el sistema de protección se reinicie, antes de intentar reiniciar el calefactor.
Ruido anormal	El aparato no está en vertical.	Coloque el calefactor sobre una superficie plana.

- Si se han realizado o se ha intentado realizar reparaciones o alteraciones en la máquina por parte de centros de servicio no autorizados.
- Desgaste normal.
- La herramienta ha sido usada impropia, mal utilizada o mantenida incorrectamente.
- Si se han utilizado piezas de repuesto no originales.

Esta constituye la única garantía, expresa e implícita, ofrecida por la empresa. No existen otras garantías expresas o implícitas distintas a la especificada en el presente documento, incluidas las garantías implícitas de comerciabilidad y de adecuación a un propósito particular. VONROC no será responsable bajo ninguna circunstancia de ningún daño incidental o consecuente. Los recursos de los distribuidores están limitados a la reparación o sustitución de las unidades o piezas no conformes.

MEDIOAMBIENTE



Los aparatos eléctricos o electrónicos defectuosos y/o desechados deben recogerse en lugares de reciclado apropiado.

Solo para países de la Comunidad Europea

No elimine las herramientas eléctricas como residuos domésticos. De acuerdo con la Directiva europea 2012/19/UE sobre residuos de aparatos eléctricos y electrónicos, y su transposición a las legislaciones nacionales, las herramientas eléctricas que ya no se utilizan deben recogerse por separado y eliminarse en modo ecológico.

GARANTÍA

Los productos VONROC han sido fabricados con los estándares de calidad más elevados y garantizamos que están exentos de defectos relacionados con los materiales y la mano de obra durante el período legalmente establecido a partir de la fecha de compra original. Si, durante este periodo, el producto presenta algún fallo de los materiales y/o la mano de obra, póngase en contacto directamente con VONROC.

Las siguientes circunstancias están excluidas de esta garantía:

El producto y el manual de usuario están sujetos a variaciones. Las especificaciones pueden variar-se sin aviso previo.

Identificador(es) de modelo: EH510AC					
Artículo	Símbolo	Valor	Unidad	Artículo	Unidad
Salida térmica				Tipo de salida térmica, solo para calefactores de espacios locales con almacenamiento eléctrico (seleccione uno)	
Salida térmica nominal	Pnom	2,0	kW	Control de carga térmica manual, con termostato integrado	No
Salida térmica mínima (indicativa)	Pmin	1,0	kW	Control de carga térmica manual con información de temperatura ambiente y/o exterior	No
Salida térmica continua máxima	Pmax,c	2,0	kW	Control de carga térmica electrónica con información de temperatura ambiente y/o exterior	No
Consumo eléctrico secundario				Salida térmica asistida por ventilador	
En salida térmica nominal				Tipo de control de temperatura ambiente/salida térmica (seleccione uno)	
	elmax	0	kW	Salida térmica de una sola fase y sin control de temperatura ambiente	No
	elmin	0	kW	Dos o más fases manuales, sin control de temperatura ambiente	No
	elSB	0	kW	Con control de temperatura ambiente con termostato mecánico	Sí
				Con control de temperatura ambiente con termostato electrónico	No
				Control de temperatura ambiente electrónico más temporizador diario	No
				Control de temperatura ambiente electrónico más temporizador semanal	No
				Otras opciones de control (se pueden realizar varias selecciones)	
				Control de temperatura ambiente con detección de presencia	No
				Control de temperatura ambiente con detección de ventanas abiertas	No
				Con opción de mando a distancia	No
				Con control de arranque adaptable	No
				Con límite de tiempo de funcionamiento	No
				Con sensor de bola negra	No
Datos de contacto VONROC • Lingenstraat 6 • 8028 PM • Zwolle • Países Bajos					

Identificador(es) de modelo: EH511AC					
Artículo	Símbolo	Valor	Unidad	Artículo	Unidad
Salida térmica				Tipo de salida térmica, solo para calefactores de espacios locales con almacenamiento eléctrico (seleccione uno)	
Salida térmica nominal	Pnom	3,0	kW	Control de carga térmica manual, con termostato integrado	No
Salida térmica mínima (indicativa)	Pmin	2,0	kW	Control de carga térmica manual con información de temperatura ambiente y/o exterior	No
Salida térmica continua máxima	Pmax,c	3,0	kW	Control de carga térmica electrónica con información de temperatura ambiente y/o exterior	No
Consumo eléctrico secundario				Salida térmica asistida por ventilador	No
En salida térmica nominal	elmax	0	kW	Tipo de control de temperatura ambiente/salida térmica (seleccione uno)	
En salida térmica mínima	elmin	0	kW	Salida térmica de una sola fase y sin control de temperatura ambiente	No
En modo de espera	eLSB	0	kW	Dos o más fases manuales, sin control de temperatura ambiente	No
				Con control de temperatura ambiente con termostato mecánico	Sí
				Con control de temperatura ambiente con termostato electrónico	No
				Control de temperatura ambiente electrónico más temporizador diario	No
				Control de temperatura ambiente electrónico más temporizador semanal	No
				Otras opciones de control (se pueden realizar varias selecciones)	
				Control de temperatura ambiente con detección de presencia	No
				Control de temperatura ambiente con detección de ventanas abiertas	No
				Con opción de mando a distancia	No
				Con control de arranque adaptable	No
				Con límite de tiempo de funcionamiento	No
				Con sensor de bola negra	No
Datos de contacto	VONROC • Lingenstraat 6 • 8028 PM • Zwolle • Países Bajos				

1. ISTRUZIONI DI SICUREZZA

Leggere le avvertenze di sicurezza allegate a questo manuale, le avvertenze di sicurezza aggiuntive e le istruzioni. Il mancato rispetto delle avvertenze e istruzioni di sicurezza potrebbe dar luogo a scosse elettriche, incendi e/o lesioni personali gravi. Conservare le avvertenze di sicurezza e le istruzioni per riferimenti futuri.

I simboli riportati di seguito vengono utilizzati all'interno del manuale d'uso oppure sono indicati sul prodotto:



Leggere il manuale d'uso.



Denota il rischio di lesioni personali, morte o danni all'elettrodomestico in caso di mancata osservanza delle istruzioni contenute in questo manuale.



Denota il rischio di scosse elettriche.



Apparecchio di Classe II - Doppio isolamento - Non è necessario il collegamento a terra.



Importante! AVVERTENZA: per evitare il surriscaldamento, non coprire il termoventilatore.



Non smaltire il prodotto in contenitori non idonei.



Il prodotto è conforme alle norme di sicurezza applicabili ai sensi delle direttive europee vigenti.

AVVERTENZE DI SICUREZZA GENERALI

Questo apparecchio può essere utilizzato dai bambini dagli 8 anni in su e da persone con capacità fisiche, sensoriali o mentali ridotte o con mancanza di esperienza, purché siano sorvegliati od opportunamente istruiti su come utilizzarlo in sicurezza e comprendano i pericoli inerenti. Accertarsi che i bambini non giochino con l'apparecchio. Gli interventi di pulizia e manutenzione previsti da parte dell'utilizzatore non devono essere svolti da bambini non sorvegliati.

I bambini di età inferiore ai 3 anni devono essere tenuti a debita distanza a meno che non siano sottoposti a supervisione continua. I bambini di età compresa tra 3 anni e inferiore a 8 anni devono accendere/spengere l'apparecchio solo a condizione che sia stato posizionato o installato nella normale posizione di funzionamento prevista e a condizione che siano supervisionati o abbiano ricevuto istruzioni sull'utilizzo sicuro dell'apparecchio e ne comprendono i rischi associati. I bambini di età compresa tra 3 anni e 8 anni non devono collegare alla corrente, regolare e pulire l'apparecchio né eseguire interventi manutenzione previsti da parte dell'utilizzatore.



ATTENZIONE - alcune parti di questo prodotto possono diventare roventi e causare ustioni. Prestare particolare attenzione in presenza di bambini e persone vulnerabili.

AVVERTENZE DI SICUREZZA AGGIUNTIVE PER IL TERMOVENTILATORE ELETTRICO

- Tenere a distanza i bambini, a meno che siano costantemente sorvegliati, per assicurarsi che non giochino con il termoventilatore.
- Non permettere ai bambini di collegare la spina del termoventilatore alla presa di corrente, né di posizionarlo, metterlo in funzione, regolarlo e pulirlo o sottoporlo ad interventi di manutenzione previsti da parte dell'utilizzatore.
- ATTENZIONE - alcune parti di questo prodotto possono diventare roventi e causare ustioni. Prestare particolare attenzione in presenza di bambini e persone vulnerabili.
- Il termoventilatore non è adatto per essere utilizzato all'esterno in condizioni meteorologiche di umidità, nei bagni o in altri ambienti bagnati o umidi.
- Si tenga presente che il termoventilatore può diventare molto caldo, per cui dovrebbe essere posizionato a distanza di sicurezza da oggetti infiammabili, come mobili, tende e oggetti simili.
- Per spostare il termoventilatore afferrarlo dal manico.
- Non spostare il termoventilatore quando è caldo. Attendere che l'apparecchio si raffreddi prima di muoverlo.
- Non coprire il termoventilatore.
- Non posizionare il termoventilatore immediatamente sotto una presa di corrente

- Non collegare il termoventilatore mediante un timer di accensione e spegnimento o un altro dispositivo in grado di mettere automaticamente in funzione l'apparecchio.
- Il termoventilatore non deve essere posizionato/utilizzato in locali, in cui vengono utilizzati o conservati liquidi o gas infiammabili.
- In caso di utilizzo di una prolunga, essa deve essere il più possibile corta e sempre completamente estesa.
- È vietato collegare altri apparecchi alla stessa presa alla quale è collegato il termoventilatore.
- Non azionare il termoventilatore nelle immediate vicinanze di una vasca da bagno, una doccia o una piscina.
- Se il cavo di alimentazione è danneggiato, farlo sostituire dal fabbricante, da un tecnico dell'assistenza incaricato dallo stesso o da altro personale in possesso di qualifica analoga, al fine di evitare rischi per la sicurezza.
- Fare in modo che il termoventilatore sia costantemente sorvegliato e non accessibile a bambini o animali.
- Non collocare/utilizzare il termoventilatore su veicoli in movimento o in punti in cui sia facile inciamparvi sopra.
- Quando il termoventilatore non viene utilizzato per periodi prolungati, staccare la relativa spina dalla presa di corrente. Staccare la spina estraendola direttamente, mai tirando il cavo.
- Tenere il termoventilatore a distanza da tende o luoghi in cui è facile che l'ingresso dell'aria sia bloccato.
- L'accoppiatore elettrico è impermeabile quando non viene utilizzato. Per prevenire possibili scosse elettriche o una corrente di dispersione, non utilizzare mai il termoventilatore con le mani bagnate né metterlo in funzione se è presente acqua sul cavo di alimentazione.
- Non smaltire gli apparecchi elettrici tra i rifiuti generici, bensì conferirli presso appositi centri di smaltimento. Contattare la propria amministrazione locale per ottenere informazioni riguardanti i sistemi di raccolta disponibili. Se gli apparecchi elettrici sono smaltiti in discariche, sostanze pericolose possono penetrare nelle acque di sottosuolo ed entrare nella catena alimentare, rappresentando un rischio per la propria salute e il proprio benessere.



Avvertenza! Non utilizzare questo termoventilatore in locali di piccole dimensioni, se occupati da persone non in grado di uscire da sole, a meno che non sia garantita una supervisione costante.



Avvertenza! Per ridurre il rischio di incendio, tenere tessuti, tende o altri materiali infiammabili a una distanza minima di 1 m dall'uscita dell'aria.

Sicurezza elettrica

Quando si utilizzano macchine elettriche, osservare sempre le norme di sicurezza vigenti nel proprio Paese per ridurre il rischio di incendi, scosse elettriche e lesioni personali. Leggere le seguenti istruzioni di sicurezza e anche le istruzioni di sicurezza allegate.



Verificare sempre che la tensione di alimentazione corrisponda alla tensione indicata sulla targhetta dei valori nominali.

Collegamento alla rete elettrica

Controllare che la rete elettrica e la spina utilizzate siano conformi ai requisiti della macchina. Controllare la relativa targhetta dei valori nominali. Eventuali modifiche devono sempre essere effettuate da un elettricista qualificato.



Avvertenza! Evitare il contatto con i terminali della spina quando si inserisce (si stacca) la spina alla (dalla) presa di corrente. Il contatto causerebbe una intensa scossa elettrica.

Sostituzione di cavi o spine

Se è necessaria la sostituzione del cavo di alimentazione, questa deve essere eseguita dal produttore o da un suo agente al fine di evitare rischi per la sicurezza. Gettare immediatamente i cavi o le spine vecchi dopo averli sostituiti. È pericoloso inserire la spina di un cavo allentato in una presa di corrente a muro.

Utilizzo di cavi di prolunga

Utilizzare esclusivamente un cavo di prolunga omologato adatto per la potenza nominale della macchina. La dimensione minima dei conduttori consentita è di 1,5 mm². Quando si utilizza un avvolgicavo, srotolare sempre tutto il cavo.

2. INFORMAZIONI RELATIVE AL PRODOTTO

Uso previsto

Termoventilatore elettrico PTC solo per magazzini, officine e uso domestico. Non utilizzare il prodotto per scopi diversi. Il termoventilatore può essere utilizzato in locali chiusi in posizione libera, per il riscaldamento dell'ambiente circostante. Il termoventilatore può essere usato solo se completamente montato e posto in posizione verticale su una superficie stabile. Esso è dotato di un termostato e di una protezione termica a riarmo automatico che mantiene sotto controllo l'elemento termico e quindi la temperatura.

DATI TECNICI

Numero modello	EH510AC	EH511AC
Alimentazione elettrica	220-240V~ 50Hz	
Potenza nominale	2000W	3000W
Classe di protezione	Classe II	
Impostazioni	22W (solo ventola) 1000W / 2000W	7W (solo ventola) 2000W / 3000W
Termostato autoripristinante	70°C	65°C
Capacità di riscaldamento	20m ²	30m ²
Lunghezza cavo di alimentazione	1,6 m	
Peso	1,4 kg	1,5 kg

DESCRIZIONE

I numeri che compaiono nel testo si riferiscono alle figure riportate alle pagine 2-3.

1. Manico
2. Elemento riscaldante
3. Ingresso dell'aria in aspirazione
4. Fuoriuscita aria
5. Spia di alimentazione
6. Manopola di selezione funzione
7. Spento
8. Ventilatore
9. Modalità calore al minimo
10. Modalità calore al massimo
11. Manopola del termostato

12. Interruttore di sicurezza in caso di ribaltamento
13. Cavo di alimentazione

3. UTILIZZO



Prima dell'uso controllare che l'apparecchio non sia danneggiato e utilizzarlo solo se le sue condizioni operative sono buone.

Al momento del primo utilizzo del termoventilatore si potrebbe notare una leggera emissione di fumo. Si tratta di un evento normale che dovrebbe sparire dopo poco tempo. L'elemento riscaldante consiste in acciaio inox rivestito con olio protettivo durante la produzione. Il fumo è causato da residui di olio che brucia con il riscaldamento.

Posizionamento del termoventilatore elettrico (Fig. A)

- Posizionare il termoventilatore in verticale su una superficie stabile e piana.
- Mantenere una distanza minima di 1 m tra la parte frontale del corpo e le pareti, i materiali combustibili (mobili, tende, ecc.) e di 30 cm da tutte le altre superfici del corpo. Tenere lontano dagli ambienti umidi.
- Accertarsi dopo una conservazione per un periodo prolungato che l'elemento riscaldante (2) sia pulito e privo di polvere.



Avvertenza! Accertarsi di posizionare il termoventilatore in un punto sicuro, per non inciampare sull'apparecchio e il relativo cavo di alimentazione. Accertarsi di posizionare il termoventilatore dove non rischi di cadere / ribaltarsi.

Avvio del termoventilatore elettrico (Fig. A, B)

- Collegare la spina del cavo di alimentazione (13) alla presa di corrente.
- Regolare la manopola del termostato (11) al valore massimo (Max).
- Il termoventilatore si accende quando la manopola di selezione funzione (6) è posizionata su una delle impostazioni di funzione.
- La spia di alimentazione (5) si accenderà.
- Una volta raggiunta la temperatura della stanza desiderata, ruotare lentamente la manopola del termostato (11) finché non si avvertirà un clic e la spia di alimentazione (5) si spegnerà.

- Il riscaldatore viene ora avviato e arrestato automaticamente e quindi mantiene costante la temperatura ambiente. Ciò significa che non appena la temperatura diminuisce, l'elemento riscaldante e il ventilatore si rimettono in funzione.

Impostazioni di funzione (Fig. B)

Sono possibili funzioni differenti ruotando la manopola delle funzioni (6).

- Spegnimento (7)
- Solo ventola (8)
- Modalità calore al minimo (9)
- Modalità calore al massimo (10)

Interruttore di sicurezza in caso di ribaltamento (12)

Questo termoventilatore è dotato di un dispositivo di protezione meccanica in caso di ribaltamento. Questa protezione assicura lo spegnimento automatico del termoventilatore se quest'ultimo non è posto in verticale su una superficie solida e piana o se dovesse capitare che esso si ribalti. In tal caso, posizionare il termoventilatore su una superficie solida e piana e riavviarlo.

Controllo di sicurezza automatico contro il surriscaldamento

Questo termoventilatore è dotato di termostato di sicurezza di limitazione del riscaldamento interno e di un circuito di protezione contro il surriscaldamento. Quando viene raggiunta una temperatura di potenziale surriscaldamento, il sistema spegne automaticamente il termoventilatore.

Spegnimento del termoventilatore elettrico (Fig. A, B)



Fare raffreddare l'apparecchio prima di spegnerlo, utilizzando la funzione Ventola.

- Ruotare la manopola del termostato (11) sulla posizione minima e portare la manopola di selezione funzione sulla posizione della ventola (8).
- Lasciare che la ventola raffreddi l'apparecchio per qualche minuto.
- Girare la manopola delle funzioni (6) sulla posizione di spegnimento (7).
- Estrarre la spina del cavo di alimentazione dalla presa di corrente.

Conservazione del termoventilatore elettrico

- Attendere sempre che il termoventilatore si sia raffreddato completamente prima di riporlo.

- Non avvolgere mai il cavo di alimentazione attorno al termoventilatore



Avvertenza! Non riporre mai l'apparecchio in un ambiente umido o polveroso.

4. MANUTENZIONE



Prima di eseguire qualsiasi operazione di pulizia e intervento di manutenzione spegnere sempre l'elettrodomestico e staccare la spina dalla presa di corrente.

Pulizia



Attendere che l'apparecchio si sia raffreddato completamente prima di pulirlo.

- Pulire il termoventilatore con un panno asciutto o un aspirapolvere.
- Per proteggere la parte esterna del corpo macchina evitare che finiscano schizzi d'acqua sul termoventilatore e non utilizzare mai un solvente, come benzina, acetato di isoamile, toluene, ecc., per pulire l'apparecchio.
- Quando si deve riporre il termoventilatore, farlo prima raffreddare e mantenerlo asciutto.

Risoluzione dei problemi

Qualora il termoventilatore elettrico non funzionasse correttamente, vengono elencati in seguito alcune cause possibili e la relativa soluzione ai problemi.

Problema	Causa possibile	Soluzione
Il termoventilatore non funziona, anche quando è collegato alla presa di corrente e l'interruttore e il termostato sono accesi.	La spina è allentata, collegamento difettoso	Estrarre la spina, verificare il collegamento su spina e presa. Poi ricollegare.
	Assenza di corrente nella presa di alimentazione	Inserire la spina in una presa adeguata
	Protezione in caso di ribaltamento	Posizionare il termoconvettore su una superficie stabile e piana.
	Protezione dal surriscaldamento	Scollegare la spina dalla presa di corrente e attendere almeno 30 minuti che si raffreddi prima di riavviarlo.

L'elemento riscaldante è incandescente	La tensione di ingresso è troppo elevata o troppo ridotta	Utilizzare l'alimentazione di corrente conformemente all'indicazione sull'etichetta
	La griglia di ingresso aria in aspirazione (3) è bloccata	Mantenere il termoventilatore lontano da oggetti come tende, sacchetti di plastica, carta e altri oggetti che possono coprire l'ingresso dell'aria
L'apparecchio non riscalda, solo la ventola è in funzione	L'interruttore non è stato portato sull'impostazione di riscaldamento	Girare l'interruttore sull'impostazione di riscaldamento
	Il termostato è in funzione	Attivare il termostato e ascoltare se si avverte un rumore di apertura/chiusura. Qualora non sia udibile un clic e il termostato non sia danneggiato, il termoventilatore si accende automaticamente quando l'apparecchio si è raffreddato
	La protezione termica autoripristinante è in funzione	Spegnerne il termoventilatore e ispezionare il blocco di ingresso e uscita. Staccare la spina ed attendere almeno 10 minuti per il ripristino del sistema di protezione prima di rimettere in funzione il termoventilatore.
Rumore eccessivo	L'apparecchio non si trova in posizione verticale	Collocare il termoventilatore su una superficie piana

correre dalla data di acquisto iniziale. Se durante questo periodo il prodotto dovesse presentare dei difetti di materiali e/o di lavorazione, contattare direttamente VONROC. Le seguenti circostanze sono escluse dalla garanzia:

Le seguenti circostanze sono escluse dalla garanzia:

- esecuzione o tentativo di esecuzione di riparazioni o modifiche alla macchina da parte di personale di centri di assistenza non autorizzati;
- usura normale;
- maltrattamento, uso improprio o manutenzione inadeguata dell'apparecchio;
- impiego di ricambi non originali.

La presente costituisce l'unica garanzia espressa o implicita fornita dall'azienda. Non sono concesse altre garanzie, né espresse né implicite, oltre a quelle descritte in questo documento, comprese le garanzie implicite di commerciabilità e idoneità per uno scopo particolare. In nessun caso VONROC sarà ritenuta responsabile di alcun danno incidentale o consequenziale. I rimedi offerti dai rivenditori si limiteranno alla riparazione o alla sostituzione delle unità o dei componenti non conformi.

Il prodotto e il manuale d'uso sono soggetti a modifiche. I dati tecnici possono essere modificati senza ulteriore notifica.

PROTEZIONE DELL'AMBIENTE



Le apparecchiature elettriche o elettroniche difettose e/o scartate devono essere conferite presso gli opportuni siti di riciclaggio.

Solo per i Paesi UE

Non smaltire gli elettrodomestici insieme ai rifiuti domestici. Secondo la Direttiva europea 2012/19/UE sui rifiuti delle apparecchiature elettriche ed elettroniche e la relativa implementazione nelle normative locali, gli elettrodomestici ormai inutilizzabili devono essere raccolti separatamente e smaltiti in modo ecologico.

GARANZIA

I prodotti VONROC sono sviluppati secondo gli standard di qualità più elevati e sono garantiti esenti da difetti, sia per quanto riguarda i materiali che la lavorazione, per il periodo stabilito per legge a de-

Codice/i di identificazione modello: EH510AC					
Dato	Simbolo	Valore	Unità	Dato	Unità
Potenza termica			Tipo di apporto termico, solo per gli apparecchi elettrici per il riscaldamento di ambienti ad accumulo (selezionare una sola opzione)		
Potenza termica nominale	Pnom	2,0	kW	controllo manuale del carico termico, con termostato integrato	No
Potenza termica minima (indicativa)	Pmin	1,0	kW	controllo manuale del carico termico con riscontro della temperatura dell'ambiente e/o esterna	No
Potenza termica continua massima	Pmax,c	2,0	kW	controllo elettronico del carico termico con riscontro della temperatura dell'ambiente e/o esterna	No
Consumo ausiliario di energia elettrica			potenza termica assistita da ventola		
Alta potenza termica nominale	elmax	0	kW	Tipo di potenza termica/controllo della temperatura dell'ambiente (selezionare una sola opzione)	
Alta potenza termica minima	elmin	0	kW	potenza termica a fase unica senza controllo della temperatura dell'ambiente	No
In modalità standby	eISB	0	kW	Due o più stadi manuali, senza controllo della temperatura dell'ambiente	No
				con controllo temperatura dell'ambiente tramite termostato meccanico	Sì
				con controllo temperatura dell'ambiente tramite termostato elettronico	No
				controllo elettronico della temperatura dell'ambiente più timer giornaliero	No
				controllo elettronico della temperatura dell'ambiente più timer settimanale	No
Altre opzioni di controllo (è possibile selezionare più opzioni)					
				controllo della temperatura dell'ambiente, con rilevatore di presenza	No
				controllo della temperatura dell'ambiente, con rilevatore di finestre aperte	No
				con opzione di controllo a distanza	No
				con controllo di avviamento adattivo	No
				con limitazione del tempo di funzionamento	No
				con sensore di temperatura a globo nero	No
Dati di contatto	VONROC • Lingenstraat 6 • 8028 PM • Zwolle • Paesi Bassi				

Codice/i di identificazione modello: EH511AC					
Dato	Simbolo	Valore	Unità	Dato	Unità
Potenza termica			Tipo di apporto termico, solo per gli apparecchi elettrici per il riscaldamento di ambienti ad accumulo (selezionare una sola opzione)		
Potenza termica nominale	Pnom	3,0	kW	controllo manuale del carico termico, con termostato integrato	No
Potenza termica minima (indicativa)	Pmin	2,0	kW	controllo manuale del carico termico con riscontro della temperatura dell'ambiente e/o esterna	No
Potenza termica continua massima	Pmax,c	3,0	kW	controllo elettronico del carico termico con riscontro della temperatura dell'ambiente e/o esterna	No
Consumo ausiliario di energia elettrica			potenza termica assistita da ventola		
Alta potenza termica nominale	elmax	0	kW	Tipo di potenza termica/controllo della temperatura dell'ambiente (selezionare una sola opzione)	
Alta potenza termica minima	elmin	0	kW	potenza termica a fase unica senza controllo della temperatura dell'ambiente	No
In modalità standby	eISB	0	kW	Due o più stadi manuali, senza controllo della temperatura dell'ambiente	No
				con controllo temperatura dell'ambiente tramite termostato meccanico	Sì
				con controllo temperatura dell'ambiente tramite termostato elettronico	No
				controllo elettronico della temperatura dell'ambiente più timer giornaliero	No
				controllo elettronico della temperatura dell'ambiente più timer settimanale	No
			Altre opzioni di controllo (è possibile selezionare più opzioni)		
				controllo della temperatura dell'ambiente, con rilevatore di presenza	No
				controllo della temperatura dell'ambiente, con rilevatore di finestre aperte	No
				con opzione di controllo a distanza	No
				con controllo di avviamento adattivo	No
				con limitazione del tempo di funzionamento	No
				con sensore di temperatura a globo nero	No
Dati di contatto	VONROC • Lingenstraat 6 • 8028 PM • Zwolle • Paesi Bassi				

1. SÄKERHETSANVISNINGAR

Läs de medföljande säkerhetsvarningarna, de kompletterande säkerhetsvarningarna och anvisningarna. Underlåtenhet att följa säkerhetsvarningarna och anvisningarna kan orsaka elstöt, brand och/eller allvarlig skada. Spara säkerhetsvarningarna och anvisningarna som framtida bruk.

Följande symboler används i användarhandboken eller på produkten:



Läs användarhandboken.



Anger risk för personskada, dödsfall eller skada på verktyget om anvisningarna i denna handbok inte följs.



Anger risk för elstöt.



Klass II-maskin - dubbel isolering - du behöver ingen jordad kontakt.



Viktigt! VARNING: Täck inte över elementet för att undvika överhettning.



Kassera inte produkten i olämpliga containrar.



Produkten uppfyller gällande säkerhetsnormer i EU-direktiven.

ALLMÄNNA SÄKERHETSANVISNINGAR

Denna apparat kan användas av barn från 8 år och personer med nedsatt fysisk eller psykisk förmåga eller bristande erfarenhet eller kunskap, om de övervakas eller får instruktioner om hur apparaten används på ett säkert sätt och är medvetna om riskerna. Barn får inte leka med apparaten. Rengöring och användarunderhåll ska inte utföras av barn utan övervakning.

Barn under 3 år bör hållas borta om de inte övervakas kontinuerligt. Barn från 3 år och under 8 år får endast slå på/stänga av apparaten under förutsättning att den har placerats eller installerats i dess avsedda normala driftläge och de har tillsyn eller fått instruktioner om hur man använder apparaten på ett säkert sätt och förstår riskerna. Barn från 3 år och yngre än 8 år får inte koppla in, reglera och rengöra apparaten eller utföra användarunderhåll.



FÖRSIKTIGHET – Vissa delar av denna produkt kan bli mycket varma och orsaka brännskador. **Var särskilt uppmärksam om barn och känsliga personer är närvarande.**

KOMPLETTERANDE SÄKERHETSANVISNINGAR FÖR ELEKTRISK VÄRMARE

- Barn bör hållas borta om de inte ständigt övervakas för att se till att de inte leker med värmaren.
- Barn får inte ansluta, placera, använda, reglera och rengöra apparaten eller utföra användarunderhåll.
- FÖRSIKTIGHET: Vissa delar av denna apparat kan bli mycket varma och orsaka brännskador. Var särskilt uppmärksam om barn och känsliga personer är närvarande.
- Värmaren är inte lämplig för utomhusbruk i fuktigt väder, i badrum eller i andra våta eller fuktiga miljöer.
- Observera att maskinen kan bli mycket varm och därför bör placeras på ett säkert avstånd från brandfarliga föremål som möbler, gardiner och liknande.
- Använd handtag när du flyttar värmaren.
- Flytta inte värmaren när den är uppvärmd. Låt produkten svalna ordentligt innan du hanterar den.
- Täck inte över värmaren.
- Värmaren får inte placeras omedelbart under ett eluttag
- Anslut inte värmaren med en på/av-timer eller annan utrustning som automatiskt kan slå på enheten.
- Värmaren får inte placeras/användas i rum där brandfarliga vätskor eller gaser används eller förvaras.
- Om en förlängningssladd används måste den vara så kort som möjligt och alltid vara helt utsträckt.
- Du får inte ansluta andra apparater till samma eluttag som värmaren.
- Använd inte värmaren i närheten av ett badkar, en dusch eller en pool.
- Om sladden är skadad måste den bytas ut av tillverkaren, dess servicerepresentant eller motsvarande behörig person för att undvika fara.
- Se till att värmaren alltid är övervakad och håll barn och djur borta från den.
- Placera/använd inte värmaren på fordon i rörelse eller på platser där det är lätt att snubbla över den.

- När värmaren inte används under en längre tid, koppla ur den från eluttaget. Dra ut kontakten rakt ut, ta aldrig bort kontakten genom att dra i sladden.
- Placera värmaren långt från gardiner eller platser där luftintagsöppningar lätt kan blockeras.
- Strömkopplingen är vattentät när den inte används. För att förhindra eventuella elektriska stötar eller läckström ska värmaren aldrig hanteras med blöta händer med blöta händer. Använd inte heller värmaren när det finns vatten på nätsladden.
- Kassera inte elektriska apparater som osorterat kommunalt avfall, använd separata återvinningscentraler. Kontakta lokala myndigheter för information om tillgängliga insamlingssystem. Om den elektriska apparaten slängs på deponier eller soptippar kan farliga ämnen läcka ut i grundvattnet och komma in i näringskedjan, vilket kan skada din hälsa och ditt välbefinnande.



Varning! Använd inte denna värmare i små rum när de är upptagna av personer som inte kan lämna rummet på egen hand, såvida inte konstant övervakning tillhandahålls.



Varning! För att minska risken för brand bör du hålla textilier, gardiner eller annat brännbart material på minst 1 m avstånd från luftutloppet (4).

Elsäkerhet

Följ alltid säkerhetsföreskrifterna som gäller i ditt land när du arbetar med elverktyg för att minska risken för brand, elstöt och personskada. Läs följande säkerhetsanvisningar och även de medföljande säkerhetsanvisningarna.



Kontrollera alltid så att spänningen på nätet motsvarar den spänning som finns angiven på märkplåten.

Anslutning till strömförsörjning

Kontrollera att strömförsörjningen och kontakten används i enlighet med din maskin. Ta en titt på typskylten på maskinen. Alla ändringar ska utföras av en behörig elektriker.



Varning! Undvik kontakt med terminalerna på kontakten när du sätter i (eller tar bort) kontakten i (från) eluttaget. Beröring

kommer att orsaka allvarliga elektriska stötar.

Byt kablar eller kontakter

Om en strömkabel måste bytas ut ska detta göras av tillverkaren eller dennes ombud för att undvika en säkerhetsrisk. Kasta omedelbart bort gamla kablar eller kontakter när de har ersatts av nya. Det är farligt att sätta i kontakten på en lös kabel till vägguttaget.

Använda förlängningskabel

Använd alltid endast godkända förlängningskabel som är lämpliga för maskinens märkeffekt. Minsta ledarstorlek är 1,5 mm². Om du använder en sladdvinda, vira alltid av sladden fullständigt.

2. PRODUKTINFORMATION

Avsedd användning

Elektrisk PTC-värmevläkt som endast är avsedd för lager och verkstäder. Använd inte produkten för något annat ändamål. Värmaren kan användas i slutna rum i fristående läge för rumsuppvärmning. Värmaren får endast användas helt monterad och stående vertikalt på en stabil yta. Den har en termostat och en självvårställd termisk avstängning för att styra värmeelementet och därmed temperaturen.

TEKNISKA SPECIFIKATIONER

Modell-nr	EH510AC	EH511AC
Strömförsörjning	220-240 V~ 50 Hz	
Effekt	2000W	3000W
Skyddsklass	Klass II	
Inställningar	22W (endast fläkt) 1000W / 2000W	7W (endast fläkt) 2000W / 3000W
Självvårställd termostat	70°C	65°C
Uppvärmningskapacitet	20 m ²	30 m ²
Sladdens längd	1,6 m	
Vikt	1,4 kg	1,5 kg

BESKRIVNING

Siffrorna i texten hänvisar till diagrammen på sidorna 2-3.

1. Handtag
2. Värmeelement
3. Luftinlopp
4. Luftutlopp
5. Effektmätare
6. Funktionsvred
7. Av
8. Fläkt
9. Läge för låg värme
10. Läge för hög värme
11. Termostatvred
12. Tippbrytare
13. Strömkabel

3. ANVÄNDNING



Kontrollera om enheten är skadad före användning och använd den endast i gott skick.

När du använder värmaren för första gången kan du märka ett litet rökutsläpp. Detta är helt normalt och det upphör efter en kort tid. Värmeelementet är tillverkat av rostfritt stål och täcktes med skyddsolja vid tillverkningen. Röken orsakas av den kvarlämnade oljan vid uppvärmning.

Placera den elektriska värmaren (fig. A)

- Placera värmaren uppåt på en stabil och plan yta.
- Håll ett avstånd på minst 1 m mellan husets och väggarnas framsida, brännbara material (möbler, gardiner etc.) och 30 cm från alla andra ytor. Förvaras åtskilt från våta miljöer.
- När värmaren inte har använts på länge ska du alltid kontrollera att värmeelementet (2) är rent och dammfritt.



Varning! Se till att placera värmaren på en säker plats, så att du inte lätt kan snubbla över maskinen och kabeln. Se till att placera värmaren så att den inte kan falla ner/av.

Starta elvärmaren (fig. A, B)

- Anslut kabeln (13) till eluttaget.
- Ställ termostatvredet (11) på max

- Värmaren slås på när funktionsvredet (6) är inställt på en av de tre funktionsinställningarna.
- Strömindikatorlampan (5) tänds.
- När rummet uppnått önskad temperatur vrider du tillbaka termostatvredet (11) långsamt tills ett klick hörs och strömindikatorlampan (5) släcks.
- Värmaren startar och stannar nu automatiskt och håller därför rumstemperaturen konstant. Det betyder att värmeelementet och fläkten startar igen när temperaturen har sjunkit.

Funktionsinställningar (fig. B)

Vrid på funktionsvredet (6) för att växla mellan de olika funktionerna.

- Avstängd (7)
- Endast fläkt (8)
- Läge för låg värme(9)
- Läge för hög värme(10)

Tippbrytare (12)

Denna värmare har ett mekaniskt tippskydd. Detta skydd säkerställer att när värmaren inte står upprätt på en fast och jämn yta eller när värmaren välter, kommer systemet automatiskt att stänga av värmaren. Om detta inträffar, ställ värmaren på en stadig och jämn yta och starta värmaren igen.

Automatisk överhettningsskydd

Denna värmare är utrustad med säkerhetsintern värmebegränsande termostat och överhettningsskyddskrets. När en potentiell överhettningstemperatur uppnås stänger systemet automatiskt av värmaren.

Stoppa den elektriska värmaren (fig. A, B)



Låt apparaten svalna innan du stänger av den med hjälp av ventilationsfunktionen.

- Vrid termostatvredet (11) till det lägsta läget och vrid funktionsvredet till fläktläge (8).
- Låt fläkten kyla ner apparaten i några minuter.
- Vrid funktionsvredet (6) till av-läge (7).
- Dra ut kontakten ur eluttaget.

Förvaring av den elektriska värmaren

- Låt alltid värmaren svalna helt innan du förvarar den.
- Vira aldrig kabeln runt värmaren



Varning! Förvara aldrig maskinen i en våt eller dammig miljö

4. UNDERHÅLL



Stäng alltid av maskinen och ta ut strömkontakten från strömkällan innan rengöring och underhåll.

Rengöring



Låt maskinen svalna helt innan rengöring.

- Rengör värmaren med en torr trasa eller dammsugare.
- För att skydda höljet, stänk inte vatten på värmaren och använd aldrig ett lösningsmedel som bensin, isoamylacetat, toluen etc. för att rengöra värmaren.
- Vid förvaring av värmaren, låt den svalna först och håll den torr.

Felsökning

Om den elektriska värmaren inte fungerar bra ger vi dig några möjliga orsaker och deras lösningar.

Problem	Möjlig orsak	Lösning
Värmaren fungerar inte, även när den är inkopplad och omkopplaren är termostaten påslagen.	Kontakten är lös, dålig anslutning	Dra ut kontakten, kontrollera anslutningen av kontakten och uttaget. Anslut sedan igen.
	Ingen ström i uttaget	Sätt i kontakten i ett fungerande uttag
	Tippskydd	Placera värmaren på ett stabilt och plant underlag.
Värmeelement glöder	Överhettningsskydd	Koppla ur strömmen till värmaren och vänta i minst 30 minuter så att den svalnar innan du startar den igen.
	Ingångsspänningen är för hög eller för låg	Använd strömförsörjning enligt märkningen på etiketten
	Luftintagsgallret (3) är blockerat	Håll värmaren långt från föremål som gardin, plastpåse, papper och andra saker som kan täcka intaget eller kan hindra luftintaget

Apparaten värms inte upp, bara fläkten fungerar	Omkopplaren har inte ställts in på värmeinställningen	Vrid omkopplaren till värmeinställning
	Termostaten aktiverades	Vrid termostaten och lyssna om det finns öppen/stäng-signal. Om det inte hörs något klick och termostaten inte är skadad, slås värmaren på automatiskt när apparaten svalnat
	Den automatiska avstängningen fungerade	Stäng av värmaren och inspektera blockering av inlopp eller utlopp. Koppla ur kontakten och vänta minst 10 minuter tills skyddssystemet återställs innan du försöker starta om värmaren.
Onormalt ljud	Apparaten står inte upp	Ställ värmaren på en plan yta

MILJÖ



Felaktig och/eller kasserad elektrisk eller elektronisk utrustning måste lämnas in på lämpliga återvinningsstationer.

Endast för EU-länder

Kassera inte elverktyg i hushållsavfall. Enligt den europeiska riktlinjen 2012/19/EU om kasserad elektrisk och elektronisk utrustning och dess tillämpning i nationell rätt måste elverktyg som inte längre är användbara samlas in separat och kasseras på ett miljövänligt sätt.

GARANTI

VONROC-produkter är utvecklade enligt högsta kvalitetsstandard och garanteras fria från defekter i både material och utförande under den period som lagen föreskriver från och med inköpsdatumet. Om produkten skulle utveckla fel under denna period på grund av defekt material och/eller utförande, kontakta då VONROC direkt.

Följande omständigheter är undantagna från denna garanti:

- Reparationer och/eller ändringar har gjorts eller försökts utföras på maskinen av obehöriga servicecenter;
- Normalt slitage;
- Verktyget har missbrukats, använts på fel sätt eller underhållits felaktigt;
- Reservdelar som inte är original har använts.

Detta utgör den enda garantin som företaget ger antingen uttryckt eller underförstått. Det finns inga andra garantier uttryckta eller underförstådda som sträcker sig bortom detta, inklusive de underförstådda garantierna för säljbarhet och lämplighet för ett visst syfte. Under inga omständigheter ska VONROC hållas ansvarigt för indirekta skador eller följdskador. Återförsäljarnas åtgärder ska begränsas till reparation eller byte av enheter eller delar som inte uppfyller kraven.

**Produkten och användarhandboken kan ändras.
Specifikationerna kan ändras utan förvarning.**

Modellbeteckning: EH510AC					
Artikel	Symbol	Värde	Enhet	Artikel	Enhet
Värmeeffekt				Typ av värmeinmatning, endast för lokala förvaringsvärmare för elektrisk lagring (välj en)	
Nominell värmeeffekt	Pnom	2,0	kW	manuell värmeladdningskontroll, med integrerad termostat	Nr
Minsta värmeeffekt (indikativ)	Pmin	1,0	kW	manuell värmeladdningskontroll med rums- och/eller utetemperaturåterkoppling	Nr
Maximal kontinuerlig värmeeffekt	Pmax,c	2,0	kW	elektronisk värmeladdningskontroll med rums- och/eller utetemperaturåterkoppling	Nr
Extra elförbrukning				fläktassisterad värmeeffekt	Nr
Vid nominell värmeeffekt	elmax	0	kW	Typ av värmeeffekt/rumstemperaturreglering (välj en)	
Vid minsta nominell värmeeffekt	elmin	0	kW	enstegs värmeeffekt och ingen rumstemperaturreglering	Nr
I standbyläge	elSB	0	kW	Två eller flera manuella steg, ingen rumstemperaturreglering	Nr
				med mekanisk termostat rumstemperaturreglering	Ja
				med elektronisk rumstemperaturreglering	Nr
				elektronisk rumstemperaturreglering plus dagtimer	Nr
				elektronisk rumstemperaturreglering plus veckotimer	Nr
Andra kontrollalternativ (flera val möjliga)					
				rumstemperaturreglering, med närvarodetektering	Nr
				rumstemperaturreglering, med detektering av öppna fönster	Nr
				med alternativ för fjärrkontroll	Nr
				med adaptiv startkontroll	Nr
				med begränsad arbetstid	Nr
				med svart lampsensor	Nr
Kontaktuppgifter	VONROC • Lingenstraat 6 • 8028 PM • Zwolle • Nederländerna				

Modellbeteckning: EH511AC					
Artikel	Symbol	Värde	Enhet	Artikel	Enhet
Värmeeffekt				Typ av värmeinmatning, endast för lokala förvaringsvärmare för elektrisk lagring (välj en)	
Nominell värmeeffekt	P _{nom}	3,0	kW	manuell värmeladdningskontroll, med integrerad termostat	Nr
Minsta värmeeffekt (indikativ)	P _{min}	2,0	kW	manuell värmeladdningskontroll med rums- och/eller utetemperaturåterkoppling	Nr
Maximal kontinuerlig värmeeffekt	P _{max,c}	3,0	kW	elektronisk värmeladdningskontroll med rums- och/eller utetemperaturåterkoppling	Nr
Extra elförbrukning				fläktassisterad värmeeffekt	Nr
Vid nominell värmeeffekt	e _{lmax}	0	kW	Typ av värmeeffekt/rumstemperaturreglering (välj en)	
Vid minsta nominell värmeeffekt	e _{lmin}	0	kW	enstegs värmeeffekt och ingen rumstemperaturreglering	Nr
I standbyläge	e _{lSB}	0	kW	Två eller flera manuella steg, ingen rumstemperaturreglering	Nr
				med mekanisk termostat rumstemperaturreglering	Ja
				med elektronisk rumstemperaturreglering	Nr
				elektronisk rumstemperaturreglering plus dagtimer	Nr
				elektronisk rumstemperaturreglering plus veckotimer	Nr
				Andra kontrollalternativ (flera val möjliga)	
				rumstemperaturreglering, med närvarodetektering	Nr
				rumstemperaturreglering, med detektering av öppna fönster	Nr
				med alternativ för fjärrkontroll	Nr
				med adaptiv startkontroll	Nr
				med begränsad arbetstid	Nr
				med svart lampsensor	Nr
Kontaktuppgifter	VONROC • Lingenstraat 6 • 8028 PM • Zwolle • Nederländerna				

1. SIKKERHEDSANVISNINGER

Læs de vedlagte sikkerhedsadvarsler, de yderligere sikkerhedsadvarsler og vejledningen. Hvis sikkerhedsadvarslerne og vejledningen ikke følges, kan det resultere i elektrisk stød, brand og/eller alvorlige personskader. Gem sikkerhedsadvarslerne og vejledningen til fremtidig brug.

Følgende symboler anvendes i brugervejledningen eller på produktet:



Læs brugervejledningen.



Angiver risiko for personskade, dødsfald eller beskadigelse af værktøjet i tilfælde af manglende overholdelse af anvisningerne i denne vejledning.



Angiver risiko for elektrisk stød.



Klasse II-maskine - Dobbeltisoleret - Du har ikke brug for et jordstik.



Vigtigt: ADVARSEL: For at undgå overophedning må varmeapparatet ikke tildækkes.



Bortskaf ikke produktet i uegnede beholdere.



Produktet er i overensstemmelse med de gældende sikkerhedsstandarder i EU-direktiverne.

GENERELLE SIKKERHEDSADVARSLER

Dette apparat kan anvendes af børn på 8 år og derover samt af personer med nedsatte fysiske, sensoriske eller mentale evner eller manglende erfaring og viden, hvis de holdes under opsyn eller har fået vejledning i at bruge apparatet på en sikker måde og forstår de dermed forbundne risici. Børn må ikke lege med apparatet.

Rengøring og brugervedligeholdelse må ikke udføres af børn uden opsyn.

Børn under 3 år bør holdes væk, medmindre de er under konstant opsyn. Børn fra 3 år og under 8 år må kun tænde/slukke for apparatet, hvis det har været placeret eller installeret i dets tilsigtede normale driftsposition, og de har fået tilsyn eller instruktion om brug af apparatet på en sikker måde

og forstår de involverede farer. Børn fra 3 år og under 8 år må ikke tilslutte, regulere og rengøre apparatet eller udføre brugervedligeholdelse.



FORSIGTIG — nogle dele af dette produkt kan blive meget varme og forårsage forbrændinger. Man skal især være opmærksom, hvis der er børn og sårbare personer til stede.

YDERLIGERE SIKKERHEDSADVARSLER FOR ELEKTRISK VARMEAPPARAT

- Børn bør holdes væk, med mindre de overvåges konstant, for at sikre, at de ikke leger med varmeapparatet.
- Børn må ikke tilslutte, placere, betjene, regulere og rengøre apparatet eller udføre brugervedligeholdelse.
- FORSIGTIG-nogle dele af dette produkt kan blive meget varme og forårsage forbrændinger. Man skal især være opmærksom, hvis der er børn og sårbare personer til stede.
- Varmeapparatet er ikke egnet til udendørs brug i fugtigt vejr, på badeværelser eller i andre våde eller fugtige miljøer.
- Bemærk, at varmeapparatet kan blive meget varmt, og det bør derfor placeres på sikker afstand af brandfarlige genstande, som f.eks. møbler, gardiner og lignende.
- Brug håndtaget, når du flytter dette varmeapparat.
- Flyt ikke varmeapparatet, når det er varmt. Lad produktet køle helt af, før du håndterer det.
- Dæk ikke varmeapparatet til.
- Varmeapparatet må ikke placeres umiddelbart under en stikkontakt
- Tilslut ikke varmeapparatet ved hjælp af en tænd/sluk-timer eller andet udstyr, der automatisk kan tænde enheden.
- Varmeapparatet må ikke placeres/anvendes i rum, hvor der bruges eller opbevares brandfarlige væsker eller gasser.
- Hvis der bruges en forlængerledning, skal den være så kort som muligt og altid være helt forlænget.
- Du må ikke slutte andre apparater til den samme stikkontakt som varmeapparatet.
- Brug ikke varmeapparatet i umiddelbar nærhed af et bad, et brusebad eller en swimmingpool.

- Hvis forsyningsledningen er beskadiget, skal den udskiftes af producenten, dens serviceagent eller lignende kvalificerede personer for at undgå farer.
- Sørg for, at varmeapparatet altid er under overvågning, og hold børn og dyr væk fra det.
- Undlad at placere/bruge varmeapparatet på køretøjer i bevægelse eller andre steder, hvor det let kan vælte.
- Når varmeapparatet ikke bruges i lang tid, skal du trække varmeapparatets stik ud af kontakten. Træk stikket lige ud, og fjern aldrig stikket ved at trække i ledningen.
- Hold varmeapparatet langt væk fra gardiner eller steder, hvor luftindtaget let kan blokeres.
- Strømkoblingen er vandtæt, når den ikke er i brug. For at forhindre et muligt elektrisk stød eller lækstrøm må varmeapparatet aldrig bruges med våde hænder, og varmeapparatet må aldrig betjenes, når der er vand på netledningen.
- Undlad at bortskaffe elektriske apparater som usorteret kommunalt affald. Brug separate indsamlingsanlæg. Kontakt din kommune for at få oplysninger om tilgængelige indsamlingssystemer. Hvis elektriske apparater bortskaffes på losse- eller affaldspladser, kan farlige stoffer sive ud i grundvandet og komme ind i fødekæden, hvilket kan skade dit helbred og dit velbefindende.



Advarsel! Brug ikke dette varmeapparat i små rum, når de er optaget af personer, som ikke er i stand til at forlade rummet på egen hånd, medmindre der er konstant opsyn.



Advarsel! For at reducere risikoen for brand skal tekstiler, gardiner eller andet brændbart materiale holdes i en afstand på mindst 1 meter fra luftudløbet (4).

El-sikkerhed

Når du bruger el-maskiner, skal du altid overholde de gældende sikkerhedsbestemmelser i dit land for at reducere risikoen for brand, elektrisk stød og personskader. Læs følgende sikkerhedsanvisninger samt de medfølgende sikkerhedsanvisninger.



Kontroller altid, at strømforsyningsens spænding stemmer overens med spændingen på ydelsesskiltmærket.

Tilslutning til strømforsyningen

Kontrollér, at strømforsyningen og stikket er i overensstemmelse med din maskine. Kig på mærkepladen på maskinen. Eventuelle ændringer skal altid udføres af en kvalificeret elektriker.



Advarsel! Undgå kontakt med terminalerne på stikket, når du sætter (fjerner) stikket i (fra) strømforsyningskontakten. Kontakt vil forårsage et alvorligt elektrisk stød.

Udskiftning af kabler eller stik

Hvis det er nødvendigt at udskifte forsyningsledningen, skal dette udføres af producenten eller dennes agent for at undgå en sikkerhedsfare. Smid gamle kabler eller stik ud med det samme, når de er udskiftet med nye. Det er farligt at sætte stikket på et løst kabel i stikkontakten.

Brug af forlængerledninger

Brug kun en godkendt forlængerledning, som egner sig til maskinens indgangseffekt. Den mindste lederstørrelse er 1,5 mm². Når du bruger en kabeltromle, skal du altid rulle tromlen helt ud.

2. PRODUKTINFORMATION

Tilsigtet brug

Elektrisk PTC varmeblæser kun til lagerbygninger, værksteder og husholdninger. Brug ikke produktet til andre formål. Varmeapparatet kan bruges i lukkede rum i en fritstående position til at opvarme rummet. Varmeapparatet må kun bruges helt monteret og opretstående på en stabil overflade. Den indeholder en termostat og en selvnulstillende termisk afbryder til at styre varmelegemet og dermed temperaturen.

TEKNISKE SPECIFIKATIONER

Model nr.	EH510AC	EH511AC
Strømforsyning	220-240 V~ 50 Hz	
Mærkestrøm	2000W	3000W
Beskyttelsesklasse	Klasse II	
Indstillinger	22W (kun blæser) 1000W / 2000W	7W (kun blæser) 2000W / 3000W
Selvnulstillende termostat	70°C	65°C
Varmekapacitet	20m ²	30m ²
Ledningslængde	1,6 m	
Vægt	1,4kg	1,5kg

BESKRIVELSE

Tallene i teksten henviser til diagrammerne på side 2-3.

1. Håndtag
2. Varmeelement
3. Luftindgang
4. Luftudløb
5. Strømindikator
6. Funktionsvælger
7. Slukket
8. Blæser
9. Lav varmetilstand
10. Høj varmetilstand
11. Termostatvælger
12. Vælte-kontakt
13. Strømkabel

3. BETJENING



Se enheden efter for skader inden brug, og brug den kun, når den er i god stand.

Når du bruger varmeapparatet for første gang, vil du muligvis bemærke en let røgemission. Dette er ganske normalt, og det stopper efter kort tid. Varmelegemet er fremstillet af rustfrit stål og er blevet belagt med beskyttelsesolie ved produktionen. Røgen skyldes den resterende olie, der opvarmes.

Placering af det elektriske varmeapparat (fig. A)

- Stil varmeapparatet lodret på en fast og plan overflade.
- Hold en minimal afstand på 1 m mellem husets forside og vægge, brændbare materialer (møbler, gardiner osv.) og 30 cm fra alle andre af husets overflader. Skal holdes væk fra våde miljøer.
- Efter langvarig opbevaring skal du altid sørge for, at varmelegemet (2) er rent og frit for støv.



Advarsel! Sørg for at placere varmeapparatet et sikkert sted, så du ikke let kan snuble over maskinen og kablet. Sørg for at placere varmeapparatet, hvor det ikke kan falde ned/af.

Start af det elektriske varmeapparat (fig. A, B)

- Slut kablet (13) til nettet.
- Sæt termostatvælgeren (11) på Max.

- Varmeapparatet tændes, når funktionsvælgeren (6) stilles på en af funktionsindstillingerne.
- Strømindikatorlyset (5) tændes.
- Når rummet når den påkrævede temperatur, drejes termostatvælgeren (11) langsomt tilbage, indtil du hører et klik og strømindikatorlyset (5) slukkes.
- Varmeapparatet starter og stopper nu automatisk og holder derfor stuetemperaturen konstant. Dette betyder, at når temperaturen er faldet, starter varmelegemet og blæseren igen.

Funktionsindstillinger (fig. B)

Der kan vælges forskellige funktioner ved at dreje funktionsvælgeren (6).

- Sluk (7)
- Kun blæser (8)
- Lav varmetilstand (9)
- Høj varmetilstand (10)

Vælte-kontakt (12)

Dette varmeapparat har en mekanisk væltebeskyttelse. Denne beskyttelse sikrer, at når varmeapparatet ikke står oprejst på et fast og jævnt underlag, eller når varmelegemet vælter, vil systemet automatisk slukke for varmeapparatet. Hvis dette sker, skal du placere varmeapparatet på et fast og jævnt underlag og starte varmeapparatet igen.

Automatisk sikkerhedskontrol til overophedning

Dette varmeapparat er udstyret med en intern varmebegrænsende termostat og et beskyttelses-kredsløb mod overophedning. Når en mulig overophedningstemperatur er nået, slukker systemet automatisk for varmeapparatet.

Stop af det elektriske varmeapparat (fig. A, B)



Lad maskinen køle af, inden den slukkes ved hjælp af ventilationsfunktionen.

- Drej termostatvælgeren (11) til laveste position og drej funktionsvælgeren til blæserposition (8).
- Lad blæseren køle apparatet ned i nogle få minutter.
- Drej funktionsvælgeren (6) til sluk-position (7).
- Træk stikket ud af kontakten.

Opbevaring af det elektriske varmeapparat

- Lad altid varmelegemet køle helt af, før maskinen stilles til opbevaring.
- Kablet må aldrig vikles omkring varmeapparatet



Advarsel! Opbevar aldrig maskinen i et vådt eller støvet miljø

4. VEDLIGEHOLDELSE



Før rengøring og vedligeholdelse skal du altid slukke for maskinen og trække netstikket ud af kontakten.

Rengøring



Lad maskinen køle helt af inden rengøring.

- Rengør varmeren med en tør klud eller støvsuger.
- For at beskytte afskærmningen må du ikke sprøjte vand på varmeapparatet, og du må aldrig bruge et opløsningsmiddel som benzin, isoamylacetat, toluen osv. til at rengøre varmeapparatet.
- Når du stiller varmeapparatet til opbevaring, skal du først lade det køle af og holde det tørt.

Fejlfinding

Hvis det elektriske varmeapparat ikke virker godt, giver vi dig nogle af de mulige årsager og deres løsninger.

Problem	Mulig årsag	Løsning
Varmeapparatet fungerer ikke, selvom det er sluttet til kontakten, og termostaten er tændt.	Stikket er løst, dårlig forbindelse	Træk stikket ud, og kontroller stikkets og kontaktens forbindelse. Tilslut derefter igen.
	Ingen strøm i stikkontakt	Indsæt stikket i en passende stikkontakt
	Væltebeskyttelse	Stil varmeapparatet på en fast og plan overflade.
Varmelegemet gløder	Overhedningsbeskyttelse	Træk varmeapparatets stik ud, og vent mindst 30 minutter på, at det køler ned, før du genstarter varmeapparatet.
	Indgangsspændingen er for høj eller for lav	Brug strømforsyning i henhold til dataene på mærket
	Luftindtagsgitteret (3) er blokeret	Hold varmeapparatet væk fra genstande såsom gardiner, plastikposer, papir og andre ting, som kan dække indgangen eller let kan dække luftindtaget

Apparatet varmede ikke op, kun blæseren virkede	Kontakten blev ikke stillet på varmeindstilling	Drej kontakten til varmeindstilling
	Termostaten var i gang	Drej termostaten og lyt efter, om der er en åbn/luk-stemme. Hvis der ikke er noget klik, og termostaten ikke er beskadedet, tændes varmeapparatet automatisk, når apparatet er kølet af
	Den selvnulstillende afbryder var i gang	Sluk for varmeapparatet og undersøg blokeringen af indløb eller udløb. Træk stikket ud, og vent mindst 10 minutter, før beskyttelsessystemet nulstilles, før du forsøger at genstarte varmeapparatet.
Unormal lyd	Apparatet står ikke lodret	Stil varmeapparatet på en plan overflade

MILJØ



Defekte og/eller bortskaffede elektriske og elektroniske apparater skal afleveres på en passende genbrugsstation.

Kun for lande i EU

Maskinværktøj må ikke bortskaffes sammen med husholdningsaffald. Ifølge EU-direktiv 2012/19/EU om affald af elektrisk og elektronisk udstyr og dets gennemførelse i den nationale lovgivning skal maskinværktøjer, der ikke længere anvendes, afleveres separat og bortskaffes på en miljøvenlig måde.

GARANTI

VONROC-produkter er udviklet til de højeste kvalitetsstandarder og er garanteret fri for defekter i både materialer og udførelse i den periode, der er retsligt angivet fra datoen for det originale køb. Hvis produktet skulle udvikle fejl i denne periode på grund af defekt materiale og/eller udførelse, bedes du kontakte VONROC direkte.

Følgende omstændigheder er udelukket fra denne garanti:

- Uautoriserede servicecentre har foretaget eller gjort forsøg på at foretage reparationer og/eller ændringer på maskinen;
- Normal slitage;
- Værktøjet er blevet misbrugt, brugt forkert eller ikke passende vedligeholdt;
- Der er anvendt ikke-originale reservedele.

Dette udgør den eneste garanti, virksomheden har givet, enten udtrykt eller underforstået. Der er ingen andre garantier, udtrykt eller underforstået, som strækker sig ud over denne, herunder de underforståede garantier for salgbarhed og egnethed til et bestemt formål. Under ingen omstændigheder skal VONROC holdes ansvarlig for tilfældige skader eller følgeskader. Forhandlerens retsmidler skal være begrænset til reparation eller udskiftning af enheder eller dele, der ikke overholder kravene.

Produktet og brugervejledningen er genstand for ændringer. Specifikationer kan ændres uden yderligere varsel.

Modelidentifikator(er): EH510AC					
Element	Symbol	Værdi	Enhed	Element	Enhed
Varmeeffekt				Type varmeinput, kun til elektrisk opbevaring lokal rum varmeapparater (vælg én)	
Nominel varmeeffekt	P _{nom}	2,0	kW	manuel styring af varmeladning, med integreret termostat	Nej
Minimal varmeeffekt (indikativ)	P _{min}	1,0	kW	manuel styring af varmeladning med feedback om rum- og/eller udetemperatur	Nej
Maksimal kontinuerlig varmeeffekt	P _{max,c}	2,0	kW	elektronisk styring af varmeladning med feedback om rum- og/eller udetemperatur	Nej
Ekstra elforbrug				blæserassisteret varmeeffekt	
Ved nominel varmeeffekt	el _{max}	0	kW	Type varmeeffekt/rumtemperaturstyring (vælg én)	
Ved minimal varmeeffekt	el _{min}	0	kW	enkeltfaset varmeeffekt og ingen rumtemperaturstyring	Nej
I standby-tilstand	el _{SB}	0	kW	To eller flere manuelle trin, ingen rumtemperaturstyring	Nej
				med mekanisk termostat-rumtemperaturstyring	Ja
				med elektronisk rumtemperaturstyring	Nej
				elektronisk rumtemperaturstyring plus dagtimer	Nej
				elektronisk rumtemperaturstyring plus ugetimer	Nej
				Andre styringsmuligheder (flere valg mulige)	
				rumtemperaturstyring, med detektion af tilstedeværelse	Nej
				rumtemperaturstyring, med detektion af åbent vindue	Nej
				med mulighed for afstandsstyring	Nej
				med adaptiv startstyring	Nej
				med begrænsning af driftstid	Nej
				med sort pære-sensor	Nej
Kontaktoplysninger	VONROC • Lingenstraat 6 • 8028 PM • Zwolle • Nederlandene				

Modelidentifikator(er): EH511AC					
Element	Symbol	Værdi	Enhed	Element	Enhed
Varmeeffekt				Type varmeinput, kun til elektrisk opbevaring lokal rum varmeapparater (vælg én)	
Nominel varmeeffekt	Pnom	3,0	kW	manuel styring af varmeladning, med integreret termostat	Nej
Minimal varmeeffekt (indikativ)	Pmin	2,0	kW	manuel styring af varmeladning med feedback om rum- og/eller udetemperatur	Nej
Maksimal kontinuerlig varmeeffekt	Pmax,c	3,0	kW	elektronisk styring af varmeladning med feedback om rum- og/eller udetemperatur	Nej
Ekstra elforbrug				blæserassisteret varmeeffekt	
Ved nominel varmeeffekt	elmax	0	kW	Type varmeeffekt/rumtemperaturstyring (vælg én)	
Ved minimal varmeeffekt	elmin	0	kW	enkeltfaset varmeeffekt og ingen rumtemperaturstyring	Nej
I standby-tilstand	elSB	0	kW	To eller flere manuelle trin, ingen rumtemperaturstyring	Nej
				med mekanisk termostat-rumtemperaturstyring	Ja
				med elektronisk rumtemperaturstyring	Nej
				elektronisk rumtemperaturstyring plus dagtimer	Nej
				elektronisk rumtemperaturstyring plus ugetimer	Nej
				Andre styringsmuligheder (flere valg mulige)	
				rumtemperaturstyring, med detektion af tilstedeværelse	Nej
				rumtemperaturstyring, med detektion af åbent vindue	Nej
				med mulighed for afstandsstyring	Nej
				med adaptiv startstyring	Nej
				med begrænsning af driftstid	Nej
				med sort pære-sensor	Nej
Kontaktoplysninger	VONROC • Lingenstraat 6 • 8028 PM • Zwolle • Nederlandene				

1. INSTRUKCJĘ DOTYCZĄCĄ BEZPIECZEŃSTWA

Przeczytać dołączone ostrzeżenia dotyczące bezpieczeństwa, dodatkowe ostrzeżenia dotyczące bezpieczeństwa oraz instrukcję. Nieprzestrzeganie ostrzeżeń dotyczących bezpieczeństwa oraz instrukcji może prowadzić do porażenia prądem, pożaru i/lub poważnych obrażeń ciała. Zachować ostrzeżenia dotyczące bezpieczeństwa oraz instrukcje na przyszłość.

Następujące symbole są umieszczone w instrukcji obsługi lub na produkcie:



Przeczytać instrukcję obsługi.



Oznacza ryzyko obrażeń ciała, śmierci lub uszkodzenia narzędzia w razie nieprzestrzegania poleceń z instrukcji.



Oznacza ryzyko porażenia prądem.



Urządzenie klasy II - Podwójna izolacja - Nie trzeba stosować wtyczek z uziemieniem.



Ważne! OSTRZEŻENIE: Aby uniknąć przegrzania, nie wolno przykrywać grzejnika.



Nie wyrzucać produktu do nieodpowiednich pojemników.



Produkt spełnia wymogi odpowiednich norm bezpieczeństwa podanych w dyrektywach UE.

OGÓLNE OSTRZEŻENIA DOTYCZĄCĄ BEZPIECZEŃSTWA

To urządzenie może być używane przez dzieci w wieku od 8 lat i osoby z ograniczonymi zdolnościami fizycznymi, czuciowymi lub umysłowymi lub nieposiadające doświadczenia i wiedzy, jeśli znajdują się one pod nadzorem lub zostały przeszkolone z bezpiecznego użytkowania urządzenia i rozumieją związane z tym zagrożenia. Dzieciom nie wolno pozwalać bawić się urządzeniem. Dzieciom bez nadzoru nie wolno przeprowadzać czyszczenia i konserwacji urządzenia.

Nie pozwalać zbliżać się do urządzenia dzieciom w wieku poniżej 3 lat, jeśli nie znajdują się pod stałym nadzorem. Dzieciom w wieku od 3 lat i poniżej 8 lat wolno włączać/wyłączać urządzenie, tylko jeśli urządzenie zostało ustawione lub zainstalowane w normalnym położeniu roboczym zgodnie z przeznaczeniem i tylko jeśli dzieci znajdują się pod nadzorem lub zostały nauczone obsługi urządzenia w bezpieczny sposób i rozumieją związane z tym zagrożenia. Dzieciom w wieku od 3 lat i poniżej 8 lat nie wolno podłączać urządzenia do zasilania, regulować go, czyścić ani wykonywać czynności konserwacji dopuszczalnej dla użytkownika.



PRZESTROGA — *niektóre elementy tego produktu mogą stać się bardzo gorące i spowodować oparzenia. Należy zwracać szczególną uwagę na przebywające w pobliżu dzieci i osoby niepełnosprawne.*

DODATKOWE OSTRZEŻENIA DOTYCZĄCĄ BEZPIECZEŃSTWA GRZEJNIKA ELEKTRYCZNEGO

- Dzieciom nie wolno zbliżać się do urządzenia, chyba że są stale pod opieką, aby nie mogły bawić się urządzeniem.
- Dzieciom nie wolno podłączać, ustawiać, obsługiwać, regulować i czyścić urządzenia ani wykonywać czynności konserwacyjnych.
- PRZESTROGA - niektóre elementy tego produktu mogą stać się bardzo gorące i spowodować oparzenia. Należy zwracać szczególną uwagę na przebywające w pobliżu dzieci i osoby niepełnosprawne.
- Grzejnik nie nadaje się do użytku na zewnątrz przy dużej wilgotności, w łazienkach lub w innych wilgotnych lub mokrych środowiskach.
- Należy pamiętać, że grzejnik może się bardzo nagrzewać i dlatego powinien być umieszczony w bezpiecznej odległości od przedmiotów łatwopalnych, takich jak meble, zasłony itp.
- Używać uchwytu do przemieszczania tego grzejnika.
- Nie przemieszczać tego grzejnika, gdy jest rozgrzany. Poczekać, aż produkt całkowicie ostygnie przed jego dotknięciem.
- Nie wolno przykrywać grzejnika.
- Grzejnika nie wolno stawiać bezpośrednio pod gniazdkiem elektrycznym
- Nie należy podłączać grzejnika za pomocą wyłącznika czasowego lub innych urządzeń, które mogą automatycznie włączać urządzenie.

- Grzejnik nie może być umieszczany/używany w pomieszczeniach, w których używane lub przechowywane są łatwopalne ciecze lub gazy.
- W przypadku stosowania przedłużacza musi on być jak najkrótszy i zawsze całkowicie rozwinięty.
- Nie wolno podłączać innych urządzeń do tego samego gniazdka elektrycznego, do którego jest podłączony jest ten grzejnik.
- Nie należy używać grzejnika w bezpośrednim otoczeniu wanny, prysznicza lub basenu.
- Jeśli przewód zasilania jest uszkodzony, musi go wymienić producent, jego przedstawiciel serwisowy lub podobnie, odpowiednio wykwalifikowana osoba, aby uniknąć zagrożenia.
- Należy się upewnić, że grzejnik jest zawsze pod nadzorem i nie wolno pozwalać dzieciom i zwierzętom przebywać w jego pobliżu.
- Nie należy umieszczać/używać grzejnika w pojazdach, które się poruszają, lub w miejscach, w których można się łatwo potknąć.
- Jeśli grzejnik nie jest używany przez dłuższy czas, należy odłączyć go od źródła zasilania. Przy wyciąganiu należy ciągnąć prosto za wtyczkę, nigdy za przewód.
- Grzejnik należy ustawić z dala od zasłon lub miejsc, w których wlot powietrza może być łatwo zablokowany.
- Łącznik zasilania jest wodoszczelny, gdy nie jest używany. Aby zapobiec porażeniu prądem elektrycznym lub prądowi upływowemu, nigdy nie należy dotykać grzejnika mokrymi rękami ani nie obsługiwać go, gdy na kablu zasilającym znajduje się woda.
- Nie wolno wyrzucać urządzeń elektrycznych jako niesortowanych odpadów komunalnych; należy korzystać z oddzielnych punktów zbiórki. Należy skontaktować się z władzami lokalnymi w celu uzyskania informacji na temat dostępnych systemów odbioru odpadów. Jeśli urządzenia elektryczne są wyrzucane na wysypiska, substancje niebezpieczne mogą przedostać się do wód gruntowych, a następnie do łańcucha pokarmowego, narażając zdrowie i dobre samopoczucie ludzi.



Ostrzeżenie! Nie używać tego grzejnika w małych pomieszczeniach, gdzie znajdują się osoby, które nie są w stanie opuścić pomieszczenia samodzielnie, chyba że zapewniony jest stały nadzór nad takim pomieszczeniem.



Ostrzeżenie! Aby ograniczyć ryzyko pożaru, trzymać tkaniny, zasłony itp. łatwopalne materiały w odległości co najmniej 1 m od wylotu powietrza (4).

Bezpieczeństwo elektryczne

Podczas korzystania z urządzeń elektrycznych przestrzegać przepisów dotyczących bezpieczeństwa obowiązujących w kraju użytkowania, aby ograniczyć ryzyko pożaru, porażenia prądem i obrażeń ciała. Przeczytać poniższe instrukcje dotyczące bezpieczeństwa oraz dołączone instrukcje dotyczące bezpieczeństwa.



Zawsze sprawdzać, czy napięcie źródła zasilania jest zgodne z napięciem podanym na tabliczce znamionowej.

Podłączanie do zasilania

Dopilnować, aby zasilanie i wtyczka były zgodne z urządzeniem. Zapoznać się z tabliczką znamionową umieszczoną na urządzeniu. Wszelkie modyfikacje może przeprowadzać wyłącznie wykwalifikowany elektryk.



Ostrzeżenie! Unikać dotykania bolców wtyczki podczas wkładania (wyjmowania) wtyczki do (z) gniazdka zasilania. Dotknięcie spowoduje silne porażenie prądem.

Wymiana kabli i wtyczek

Jeśli wymiana przewodu zasilającego jest konieczna, aby zapewnić bezpieczeństwo, wymianę musi przeprowadzić producent lub jego przedstawiciel. Utylizować stare kable lub wtyczki niezwłocznie po ich zastąpieniu nowymi. Włożenie wtyczki niepodłączonego kabla do gniazda sieciowego jest niebezpieczne.

Korzystanie z przedłużaczy

Stosować jedynie atestowane kable przedłużeniowe przystosowane do mocy maszyny. Minimalny rozmiar przewodu to 1,5 mm². Podczas korzystania z kabla w zwoju, zawsze całkowicie rozwinąć zwoj.

2. INFORMACJE O PRODUKCIE

Przeznaczenie

Elektryczny grzejnik wentylatorowy PTC jest przeznaczony wyłącznie do użytku w magazynach, warsztatach i gospodarstwach domowych. Nie

używać produktu niezgodnie z przeznaczeniem. Grzejnik może być używany w pomieszczeniach zamkniętych jako wolno stojące urządzenie do ogrzewania pomieszczeń. Grzejnik może być używane wyłącznie po całkowitym zmontowaniu i ustawieniu pionowo na stabilnej powierzchni. Urządzenie jest wyposażone w termostat i samoczynnie resetujący się wyłącznik termiczny do sterowania elementem grzejnym, a w konsekwencji do regulacji temperatury.

DANE TECHNICZNE

Nr modelu	EH510AC	EH511AC
Zasilanie	220-240V~ 50Hz	
Moc znamionowa	2000W	3000W
Klasa ochrony	Klasa II	
Ustawienia	22W (tylko wentylator) 1000W/2000W	7W (tylko wentylator) 2000W/3000W
Samozerujący się termostat	70°C	65°C
Wydajność grzewcza	20 m ²	30 m ²
Długość kabla	1,6 m	
Ciężar	1,4 kg	1,5 kg

OPIS

Liczby w tekście odnoszą się do rysunków na stronach 2-3.

1. Uchwyt
2. Element grzejny
3. Wlot powietrza
4. Wylot powietrza
5. Kontrolka zasilania
6. Pokrętko funkcji
7. Wyłączone
8. Wentylator
9. Tryb niskiej mocy grzania
10. Tryb wysokiej mocy grzania
11. Pokrętko termostatu
12. Wyłącznik po przewróceniu
13. Kabel zasilania

3. OBSŁUGA



Przed użyciem sprawdzić urządzenie pod kątem uszkodzeń i używać tylko w przypadku, gdy jest ono w dobrym stanie technicznym.

Przy pierwszym użyciu z grzejnika może się wydobywać niewielka ilość dymu. Jest to zjawisko całkowicie normalne, które po krótkim czasie zanika. Element grzejny wykonany jest ze stali nierdzewnej i w procesie produkcji został pokryty olejem ochronnym. Dym jest wynikiem spalania się reszty oleju podczas nagrzewania.

Ustawianie elektrycznego grzejnika (rys. A)

- Grzejnik należy postawić na twardej i poziomej powierzchni.
- Należy zachować minimalną odległość 1 m między przodem obudowy a ścianami, materiałami palnymi (meble, zasłony itp.) i 30 cm od wszystkich innych powierzchni obudowy. Urządzenie należy trzymać z dala od wilgotnych środowisk.
- Po długim przechowywaniu zawsze należy się upewnić, że element grzejny (2) jest czysty i nie ma na nim kurzu.



Ostrzeżenie! Należy upewnić się, że grzejnik znajduje się w bezpiecznym miejscu, aby nie można było łatwo potknąć się o urządzenie i kabel. Koniecznie umieszcza grzejnik w miejscu, z którego nie spadnie.

Włączanie grzejnika elektrycznego (rys. A, B)

- Podłączyć kabel (13) do gniazdka elektrycznego.
- Ustawić pokrętko termostatu (11) na ustawienie Max.
- Grzejnik włączy się, gdy pokrętko funkcji (6) jest ustawione na jedną z funkcji.
- Kontrolka zasilania (5) włączy się.
- Kiedy osiągnięta zostanie żądana temperatura w pomieszczeniu, powoli obracać pokrętko termostatu (11) wstecz do czasu usłyszenia kliknięcia i zgaśnięcia kontrolki zasilania (5).
- Teraz grzejnik włącza się i wyłącza automatycznie, dzięki czemu utrzymuje stałą temperaturę w pomieszczeniu. Oznacza to, że po obniżeniu temperatury element grzejny i wentylator zostaną ponownie uruchomione.

Ustawienia funkcji (rys. B)

Obracając pokrętkiem funkcji (6) można korzystać z różnych funkcji.

- Zasilanie wyłączone (7)
- Tylko wentylator (8)
- Tryb niskiej mocy grzania (9)
- Tryb wysokiej mocy grzania (10)

Wyłącznik w przypadku przewrócenia (12)

Ten grzejnik jest wyposażony w mechaniczną ochronę przed przewróceniem. To zabezpieczenie gwarantuje, że gdy grzejnik nie stoi prosto na twardej i poziomej powierzchni lub gdy zostanie przewrócony, system automatycznie wyłączy grzejnik. Jeśli tak się stanie, postawić grzejnik na twardej i poziomej powierzchni i uruchomić go ponownie.

Automatyczne zabezpieczenie przed przegrzaniem

Grzejnik jest wyposażony w wewnętrzny termostat regulujący oraz obwód zabezpieczający przed przegrzaniem. Po osiągnięciu potencjalnej temperatury przegrzania system automatycznie wyłączy grzejnik.

Wyłączanie elektrycznego grzejnika (rys. A, B)



Przed wyłączeniem urządzenia należy pozostawić urządzenie do ostygnięcia poprzez użycie funkcji wentylacji.

- Ustawić pokrętkę termostatu (11) na najniższe ustawienie i obrócić pokrętkę funkcji na ustawienie wentylatora (8).
- Pozostawić wentylator włączony na kilka minut, aby schłodził urządzenie.
- Ustawić pokrętkę funkcji (6) na pozycję wyłączenia (7).
- Wyciągnąć wtyczkę z gniazdka elektrycznego.

Przechowywanie grzejnika elektrycznego

- Przed przechowywaniem należy zawsze pozostawić grzejnik do całkowitego ostygnięcia.
- Nigdy nie wolno owijać kabla wokół grzejnika



Ostrzeżenie! Nigdy nie należy przechowywać urządzenia w wilgotnym lub zapyłonym środowisku

4. KONSERWACJA



Przed rozpoczęciem czyszczenia i konserwacji zawsze wyłączać maszynę i wyjąć wtyczkę zasilania sieciowego z gniazdka.

Czyszczenie



Przed czyszczeniem należy pozostawić urządzenie do całkowitego ostygnięcia.

- Czyścić grzejnik suchym ręcznikiem lub odkurzaczem.

- Aby chronić obudowę, nie wolno rozpryskiwać wody na grzejnik i nigdy nie wolno do czyszczenia grzejnika używać rozpuszczalników, takich jak benzyna, octan izoamylu, toluen itp.
- W przypadku przechowywania grzejnika najpierw należy pozostawić go do ostygnięcia i dopilnować, aby był suchy.

Rozwiązywanie problemów

W przypadku, gdy elektryczny grzejnik nie działa prawidłowo, podajemy kilka możliwych przyczyn i ich rozwiązania.

Problem	Możliwa przyczyna	Rozwiązanie
Grzejnik nie działa, nawet jeśli jest podłączony do prądu oraz włącznik i termostat są włączone.	Wtyczka jest luźna, źle podłączona	Wyciągnąć wtyczkę, sprawdzić połączenie wtyczkę i gniazdka. Następnie podłączyć ponownie.
	Brak zasilania w gniazdku elektrycznym	Włożyć wtyczkę do działającego gniazdka
	Zabezpieczenie w przypadku przewrócenia	Postawić grzejnik na twardej i poziomej powierzchni.
Element grzejny jarzy się	Ochrona przed przegrzaniem	Odłączyć grzejnik od zasilania i odczekać co najmniej 30 minut na ostygnięcie grzejnika przed jego ponownym uruchomieniem.
	Napięcie wejściowe jest zbyt wysokie lub zbyt niskie	Należy stosować zasilacz zgodny z wartością znamionową podaną na etykiecie
Urządzenie nie nagrzewało, tylko wentylator działał	Kratka wlotu powietrza (3) jest zablokowana	Grzejnik musi być ustawiony z dala od przedmiotów, takich jak zasłony, plastikowe worki, papier i inne elementy, które mogą zakryć wlot powietrza.
	Przełącznik nie został ustawiony w położeniu ogrzewania	Ustaw przełącznik w położeniu ogrzewania
Urządzenie nie działa	Termostat nie działa	Przekręć termostat i posłuchać, czy słychać dźwięk otwierania/zamykania. Jeśli nie słychać kliknięcia i termostat nie jest uszkodzony, grzejnik włączy się automatycznie po ochłodzeniu urządzenia.
	Samoczynnie resetujący się wyłącznik nie działa	Wyłączyć grzejnik i sprawdzić, czy wlot lub wylot nie jest zablokowany. Wyciągnąć wtyczkę i przed próbą ponownego uruchomienia grzejnika odczekać co najmniej 10 minut, aż zresetuje się system zabezpieczający.
Nietypowy hałas	Urządzenie nie stoi w pozycji pionowej.	Ustawić grzejnik na poziomej powierzchni.

OCHRONA ŚRODOWISKA



Uszkodzone i/lub niepotrzebne urządzenia elektryczne lub elektroniczne podlegają zbiórce w odpowiednich punktach recyklingu.

Tylko kraje WE

Nie wyrzucać elektronarzędzi wraz z odpadami z gospodarstw domowych. Zgodnie z dyrektywą 2012/19/UE dotyczącą zużytych urządzeń elektrycznych i elektronicznych oraz jej wdrożeniem do prawodawstwa krajowego, elektronarzędzia, które już nie nadają się do użytku, podlegają oddzielnej zbiórce oraz utylizacji w sposób przyjazny dla środowiska.

GWARANCJA

Produkty VONROC są wytwarzane zgodnie z najwyższymi standardami jakości i producent udziela gwarancji na wady materiałowe i wady wykonania na okres wymagany prawem, licząc od dnia zakupu. Jeśli wystąpi usterka produktu w tym okresie spowodowana wadą materiałową i/lub wadą wykonania, proszę bezpośrednio skontaktować się ze sprzedawcą VONROC.

Następujące okoliczności powodują unieważnienie gwarancji:

- Przeprowadzono naprawy lub modyfikacje narzędzia w serwisie innym lub autoryzowany lub podjęto ich próbę,
- Normalne zużycie,
- Narzędzie było używane niezgodnie z przeznaczeniem, źle z nim się obchodzono lub było nieprawidłowo konserwowane,
- Użyto części zamiennych innych niż oryginalne.

Niniejsza gwarancja to wyłączna gwarancja producenta i nie obowiązują żadne inne wyrażone ani dorozumiane gwarancje. Nie obowiązują żadne inne wyrażone ani dorozumiane gwarancje o zakresie przekraczającym niniejszą gwarancję, co obejmuje dorozumiane gwarancje przydatności do sprzedaży i przydatności do określonego celu. W żadnym przypadku firma VONROC nie ponosi odpowiedzialności za straty przypadkowe lub wynikowe. Zadośćuczynienie sprzedawcy jest ograniczone do naprawy lub wymiany niezgodnych urządzeń lub części.

Produkt i instrukcja obsługi podlegają zmianom. Dane techniczne podlegają zmianom bez uprzedzenia.

Oznaczenie(a) modelu: EH510AC					
Pozycja	Symbol	Wartość	Jednostka	Pozycja	Jednostka
Moc grzewcza				Typ sterowania grzaniem, dotyczy tylko elektrycznych grzejników do najbliższego otoczenia (wybrać jeden)	
Znamionowa moc grzewcza	Pnom	2,0	kW	ręczne sterowanie ogrzewaniem, z wbudowanym termostatem	Nie
Minimalna moc grzewcza (charakterystyczna)	Pmin	1,0	kW	ręczne sterowanie mocą grzewczą z sygnałami zwrotnymi temperatury w pomieszczeniu i/lub poza pomieszczeniem	Nie
Maksymalna ciągła moc grzewcza	Pmax,c	2,0	kW	elektroniczne sterowanie mocą grzewczą z sygnałami zwrotnymi temperatury w pomieszczeniu i/lub poza pomieszczeniem	Nie
Dodatkowe zużycie energii elektrycznej				moc grzewcza wspomagana wentylatorem	Nie
Przy znamionowej mocy grzewczej	elmax	0	kW	Typ sterowania mocą grzewczą/temperaturą w pomieszczeniu (wybrać jeden)	
Przy minimalnej mocy grzewczej	elmin	0	kW	jednostopniowe sterowanie mocą grzewczą bez regulacji temperatury w pomieszczeniu	Nie
W trybie gotowości	elSB	0	kW	Dwa lub trzy ręcznie ustawiane stopnie, brak regulacji temperatury w pomieszczeniu	Nie
				z regulacją temperatury w pomieszczeniu z użyciem mechanicznego termostatu	Tak
				z elektroniczną regulacją temperatury w pomieszczeniu	Nie
				elektroniczna regulacja temperatury w pomieszczeniu oraz dzienny włącznik czasowy	Nie
				elektroniczna regulacja temperatury w pomieszczeniu oraz tygodniowy włącznik czasowy	Nie
				Inne opcje sterowania (możliwy wybór wielu pozycji)	
				regulacja temperatury w pomieszczeniu z wykrywaniem obecności	Nie
				regulacja temperatury w pomieszczeniu z wykrywaniem otwartego okna	Nie
				z opcją sterowania zdalnego	Nie
				ze sterowaniem adaptacyjnym uruchamianiem	Nie
				z ograniczeniem czasu pracy	Nie
				z czujnikiem ciepła promieniowania	Nie
Dane kontaktowe	VONROC • Lingenstraat 6 • 8028 PM • Zwolle • Holandia				

Oznaczenie(a) modelu: EH511AC					
Pozycja	Symbol	Wartość	Jednostka	Pozycja	Jednostka
Moc grzewcza				Typ sterowania grzaniem, dotyczy tylko elektrycznych grzejników do najbliższego otoczenia (wybrać jeden)	
Znamionowa moc grzewcza	Pnom	3,0	kW	ręczne sterowanie ogrzewaniem, z wbudowanym termostatem	Nie
Minimalna moc grzewcza (charakterystyczna)	Pmin	2,0	kW	ręczne sterowanie mocą grzewczą z sygnałami zwrotnymi temperatury w pomieszczeniu i/lub poza pomieszczeniem	Nie
Maksymalna ciągła moc grzewcza	Pmax,c	3,0	kW	elektroniczne sterowanie mocą grzewczą z sygnałami zwrotnymi temperatury w pomieszczeniu i/lub poza pomieszczeniem	Nie
Dodatkowe zużycie energii elektrycznej				moc grzewcza wspomagana wentylatorem	
Przy znamionowej mocy grzewczej	elmax	0	kW	Typ sterowania mocą grzewczą/temperaturą w pomieszczeniu (wybrać jeden)	
Przy minimalnej mocy grzewczej	elmin	0	kW	jednostopniowe sterowanie mocą grzewczą bez regulacji temperatury w pomieszczeniu	Nie
W trybie gotowości	eISB	0	kW	Dwa lub trzy ręcznie ustawiane stopnie, brak regulacji temperatury w pomieszczeniu	Nie
				z regulacją temperatury w pomieszczeniu z użyciem mechanicznego termostatu	Tak
				z elektroniczną regulacją temperatury w pomieszczeniu	Nie
				elektroniczna regulacja temperatury w pomieszczeniu oraz dzienny włącznik czasowy	Nie
				elektroniczna regulacja temperatury w pomieszczeniu oraz tygodniowy włącznik czasowy	Nie
				Inne opcje sterowania (możliwy wybór wielu pozycji)	
				regulacja temperatury w pomieszczeniu z wykrywaniem obecności	Nie
				regulacja temperatury w pomieszczeniu z wykrywaniem otwartego okna	Nie
				z opcją sterowania zdalnego	Nie
				ze sterowaniem adaptacyjnym uruchamianiem	Nie
				z ograniczeniem czasu pracy	Nie
				z czujnikiem ciepła promieniowania	Nie
Dane kontaktowe		VONROC • Lingenstraat 6 • 8028 PM • Zwolle • Holandia			

1. INSTRUCȚIUNI DE SIGURANȚĂ

Citiți avertizările de siguranță, avertizările de siguranță suplimentare și instrucțiunile. Nerespectarea avertizărilor de siguranță poate cauza producerea de electrocutări, incendii și/sau răniri grave. Păstrați manualul cu avertizările de siguranță și instrucțiunile de utilizare pentru referințe viitoare.

În manualul de utilizare sau pe produs se utilizează următoarele simboluri:



Citiți manualul de utilizare.



Indică riscul de rănire personală, pierderea vieții sau deteriorarea sculei în cazul în care nu se respectă instrucțiunile din acest manual.



Denotă riscul de electrocutare.



Mașină clasa II - Izolație dublă - Nu aveți nevoie de nicio priză de împământare.



Important! AVERTISMENT: Pentru a evita supraîncălzirea, nu acoperiți aeroterma.



Nu aruncați produsul în containere neadecvate.



Produsul este în conformitate cu standardele de siguranță aplicabile din directivele europene.

AVERTISMENTE GENERALE DE SIGURANȚĂ

Acest aparat poate fi utilizat de copiii cu vârsta de peste 8 ani și de către persoane cu capacități fizice, senzoriale sau mentale reduse sau de către persoane lipsite de experiență și cunoștințe dacă acestea au fost supravegheate și instruite cu privire la utilizarea aparatului în condiții de siguranță și înțeleg riscurile pe care le implică. Copii nu au voie să se joace cu echipamentul.

Curățarea și operațiunile de întreținere nu trebuie efectuate de copii fără supraveghere.

Copiii cu vârsta mai mică de 3 ani trebuie ținuti la distanță, cu excepția cazului în care sunt permanent supravegheați. Copiii cu vârste cuprinse între 3 ani și mai puțin de 8 ani trebuie să pornească/oprească aparatul numai cu condiția ca acesta

să fie poziționat sau instalat în poziția normală de funcționare prevăzută și dacă sunt supravegheați sau au primit instrucțiuni privind utilizarea aparatului în condiții de siguranță și dacă înțeleg pericolele implicate. Copiii cu vârsta cuprinsă între 3 și 8 ani nu trebuie să conecteze, să regleze și să curețe aparatul sau să efectueze întreținerea acestuia.



ATENȚIE — unele părți ale acestui produs pot deveni foarte fierbinți și pot provoca arsuri. O atenție specială trebuie acordată acolo unde sunt prezenți copiii și persoanele vulnerabile.

AVERTIZĂRI SUPPLEMENTARE DE SIGURANȚĂ PENTRU AEROTERMA ELECTRICĂ

- Copiii trebuie să fie ținuti la distanță sau supravegheați în permanență, pentru a vă asigura că nu se joacă cu aeroterma.
- Copiii nu trebuie să cupleze, să poziționeze, să opereze, să regleze și să curețe aparatul sau să efectueze întreținerea.
- ATENȚIE - unele părți ale acestui produs pot deveni foarte fierbinți și pot provoca arsuri. O atenție specială trebuie acordată acolo unde sunt prezenți copiii și persoanele vulnerabile.
- Aeroterma nu este potrivită pentru utilizare în aer liber pe vreme umedă, în băi sau în alte medii umede sau cu multă apă.
- Vă rugăm să rețineți că aeroterma poate deveni foarte fierbinte și, prin urmare, trebuie așezată la o distanță sigură de obiectele inflamabile, cum ar fi mobilierul, perdelele și altele similare.
- Utilizați mânerul la transportarea acestei aeroterme.
- Nu deplasați aeroterma dacă este fierbinte. Permiteți produsului să se răcească în mod corespunzător înainte de a-l manevra.
- Nu acoperiți aeroterma.
- Aeroterma nu trebuie amplasată direct sub o priză
- Nu conectați aeroterma folosind un temporizator de pornire / oprire sau alte echipamente care îl pot porni automat.
- Aeroterma nu trebuie amplasată/utilizată în încăperi în care sunt utilizate sau depozitate lichide sau gaze inflamabile.
- Dacă se utilizează un cablu prelungitor, acesta trebuie să fie cât mai scurt posibil și să fie întotdeauna complet extins.

- Nu trebuie să conectați alte aparate la aceeași priză de alimentare cu aeroterma.
- Nu utilizați aeroterma în imediata apropiere a unei băi, a unui duș sau a unei piscine.
- În cazul în care cablul de alimentare este deteriorat, acesta trebuie înlocuit de către producător, de către agentul de service sau de către persoane calificate în mod similar, pentru a evita pericolele.
- Asigurați-vă că aeroterma este întotdeauna sub supraveghere și țineți copiii și animalele departe de acesta.
- Nu amplasați/utilizați aeroterma pe vehicule în mișcare sau pe unele în locuri unde este posibil să vă împiedicați.
- Când aeroterma nu este folosită pentru o perioadă lungă de timp, deconectați-o. Trageți ștecherul direct, nu scoateți niciodată ștecherul trăgând cablul.
- Țineți aeroterma departe de perdea sau de locurile în care admisia aerului poate fi blocată cu ușurință.
- Cuplajul de alimentare este rezistent la apă atunci când nu este utilizat. Pentru a preveni eventuale electrocutări sau curenții de scurgere, nu folosiți niciodată aeroterma cu mâna umedă și nu folosiți aeroterma atunci când există apă pe cablul de alimentare.
- Nu aruncați aparatele electrice ca deșeurile municipale nesortate, apălați la unități de colectare separată. Contactați administrația locală pentru informații cu privire la sistemele de colectare disponibile. Dacă aparatul electric este aruncat în gropile de gunoi, substanțele periculoase pot pătrunde în apele subterane și pot ajunge în lanțul alimentar, afectându-vă sănătatea.



Avertizare! Nu utilizați aeroterma în spații mici unde există persoane care nu pot părăsi incinta pe cont propriu, decât dacă se asigură supraveghere constantă.



Avertizare! Pentru a reduce riscul de incendiu, mențineți materialele textile, perdelele sau alte materiale inflamabile la o distanță de minimum 1 m față de orificiul de evacuare a aerului (4).

Instrucțiuni de siguranță privind alimentarea electrică

Atunci când folosiți aparate electrice, respectați întotdeauna reglementările de siguranță aplicabile

în țara dumneavoastră, pentru a reduce riscul de incendii, electrocutare și rănire personală. Citiți următoarele instrucțiuni de siguranță și, de asemenea, instrucțiunile de siguranță atașate.



Verificați întotdeauna ca tensiunea de la alimentarea cu energie să corespundă tensiunii de pe eticheta plăcuței cu specificații.

Branșarea la rețeaua de alimentare electrică

Verificați dacă sursa de alimentare și mufa utilizate sunt în conformitate cu mașina dvs. Verificați plăcuța tehnică a mașinii. Orice schimbări trebuie efectuate întotdeauna de un electrician calificat.



Avertizare! Evitați contactul cu terminalele de la ștecher atunci când introduceți (scoateți) ștecherul la (din) priză de alimentare. Contactul poate provoca un șoc electric sever.

Înlocuirea cablurilor sau a ștecherelor

Dacă este necesară înlocuirea cablului de alimentare, acest lucru poate fi efectuat de către producător sau de către reprezentatul său, pentru a preveni periclitarea siguranței. Aruncați imediat cablurile sau ștecherurile vechi atunci când au fost înlocuite cu altele noi. Este periculos să introduceți ștecherul unui cablu neconectat în priză.

Utilizarea cablurilor prelungitoare

Utilizați doar un cablu prelungitor aprobat adecvat pentru puterea mașinii. Dimensiunea minimă a conductorului este 1,5 mm². Atunci când utilizați un tambur cu cablu desfășurați întotdeauna complet tamburul.

2. INFORMAȚII CU PRIVIRE LA PRODUS

Domeniul de utilizare

Aeroterma electrică cu ventilator PTC este destinată exclusiv utilizării pentru depozite, ateliere și gospodărie. Nu utilizați produsul în alte scopuri. Aeroterma poate fi utilizată în încăperi închise în poziție liberă pentru încălzirea camerei. Aeroterma poate fi utilizată complet montată și verticală pe o suprafață stabilă. Acesta încorporează un termostat și un decupaj termic auto-resetabil pentru a controla elementul de încălzire și, prin urmare, temperatura.

SPECIFICAȚII TEHNICE

Nr. model	EH510AC	EH511AC
Alimentare de la rețea	220-240 V~ 50 Hz	
Putere nominală	2000W	3000W
Clasa de protecție	Clasa II	
Setări	22W (doar ventilator) 1000W / 2000W	7W (doar ventilator) 2000W / 3000W
Termostat auto-resetabil	70°C	65°C
Capacitate de încălzire	20 m ²	30 m ²
Lungimea cablului	1,6 m	
Greutate	1,4 kg	1,5 kg

DESCRIERE

Numerele din text se referă la diagramele de la paginile 2-3.

1. Mâner
2. Element de încălzire
3. Orificiu de admisie aer
4. Orificiu de evacuare a aerului
5. Indicator de putere
6. Buton pentru funcții
7. Oprit
8. Ventilator
9. Mod de încălzire slabă
10. Mod de încălzire puternică
11. Buton termostat
12. Comutator în caz de răsturnare
13. Cablu de alimentare

3. OPERARE



Verificați dacă aparatul nu este deteriorat înainte de utilizare și utilizați-l numai în stare bună de funcționare.

Când utilizați aeroterma pentru prima dată, este posibil să observați o ușoară emisie de fum. Acest lucru este destul de normal și se oprește după scurt timp. Elementul de încălzire este fabricat din oțel inoxidabil și a fost acoperit cu ulei de protecție la producție. Fumul este cauzat de uleiul rămas când este încălzit.

Amplasarea aerotermei electrice (Fig. A)

- Poziționați aeroterma pe o suprafață fermă și dreaptă.
- Păstrați o distanță minimă de 1 m între partea din față a carcasei și pereți, materialele combustibile (mobilier, perdele etc.) și 30 cm de toate celelalte suprafețe ale carcasei. A se păstra ferit de umiditate.
- După depozitare îndelungată, asigurați-vă întotdeauna că elementul de încălzire (2) este curat și fără praf.



Avertizare! Asigurați-vă că așezați aeroterma într-un loc sigur, astfel încât să nu puteți împiedica cu ușurință de aparat și cablu. Asigurați-vă că așezați aeroterma într-un loc de unde să nu poată cădea.

Pornirea aerotermei electrice (Fig. A, B)

- Conectați cablul (13) la rețea.
- Setări butonul termostatului (11) la valoarea Max.
- Aeroterma se va porni când butonul funcțional (6) este setat la una dintre setările de putere.
- Indicatorul luminos de putere (5) se va aprinde.
- După ce camera atinge temperatura dorită, roțiți încet înapoi butonul termostatului (11), până când auziți un clic și indicatorul luminos de putere (5) se stinge.
- Aeroterma pornește și se oprește automat și, prin urmare, menține temperatura camerei constantă. Acest lucru înseamnă că odată ce temperatura a scăzut, elementul de încălzire și ventilatorul vor porni din nou.

Setări ale funcțiilor (Fig. B)

Sunt posibile diferite funcții prin rotirea butonului pentru funcții (6).

- Alimentare oprită (7)
- Doar ventilator (8)
- Mod de încălzire slabă (9)
- Mod de încălzire puternică (10)

Comutator în caz de răsturnare (12)

Această aeroterma are o protecție mecanică împotriva răsturnării. Această protecție garantează faptul că sistemul va opri în mod automat aeroterma atunci când aceasta nu este poziționată pe o suprafață fermă și plană sau dacă aeroterma se răstoarnă. Dacă se întâmplă acest lucru,

amplasați aeroterma pe o suprafață fermă și plană și reporniți-o.

Control automat de siguranță la supraîncălzire

Această aerotermă este echipată cu termostat intern de siguranță care limitează căldura și circuitul de protecție la supraîncălzire. Când se atinge o temperatură potențială de supraîncălzire, sistemul va opri automat aeroterma.

Oprirea aerotermei electrice (Fig. A, B)



Lăsați aparatul să se răcească utilizând funcția de ventilație înainte de a opri.

- Rotiți butonul termostatului (11) în poziția cea mai joasă și rotiți butonul funcției în poziția ventilatorului (8).
- Lăsați ventilatorul să răcească aparatul timp de câteva minute.
- Rotiți butonul pentru funcții (6) în poziția oprit (7).
- Scoateți ștecherul din priză.

Depozitarea aerotermei

- Lăsați întotdeauna aeroterma să se răcească complet înainte de a o depozita.
- Nu înfășurați niciodată cablul în jurul aerotermei



Avertizare! Nu depozitați niciodată aparatul într-un mediu umed sau cu praf

4. ÎNTREȚINERE



Înainte de curățare și întreținere, opriți alimentarea electrică a aparatului și deconectați fișa cablului de alimentare de la priza de rețea.

Curățarea



Lăsați aparatul să se răcească complet înainte de curățare.

- Curățați aeroterma cu un prosop uscat sau un aspirator.
- Pentru a proteja carcasa, nu stropiți apă pe aerotermă și nu folosiți niciodată un solvent precum benzină, acetat de isoamil, toluen etc. pentru curățarea aerotermei.
- Când depozitați aeroterma, lăsați-o să se răcească mai întâi și păstrați-o uscată.

Remedierea problemelor

În cazul în care aeroterma nu funcționează bine, vă oferim câteva cauze posibile și soluțiile acestora.

Problemă	Cauză posibilă	Soluția
Aerotermă nu funcționează, chiar și atunci când este conectată la priză și termostatul este pornit.	Ștecherul este slăbit, conexiune defectuoasă	Scoateți ștecherul, verificați conexiunea ștecherului și prizei. Apoi conectați din nou.
	Nu există curent în priză	Introduceți ștecherul într-o priză adecvată
	Protecție împotriva răsturnării	Așezați aeroterma în poziție verticală pe o suprafață fermă și plană.
Elementul de încălzire se înroșește	Protecție la supraîncălzire	Deconectați aeroterma și așteptați cel puțin 30 de minute pentru a se răci înainte de a o restarta.
	Tensiunea de intrare este prea mare sau prea mică	Utilizați sursa de alimentare conform valorii indicate pe etichetă
Aparatul nu s-a încălzit, funcționează doar ventilatorul	Grilajul de admisie a aerului (3) este blocat	Păstrați aeroterma departe de articolele precum perdele, pungi de plastic, hârtie și alte lucruri care pot acoperi orificiul de admisie sau care pot fi ușor acoperite pe orificiul de admisie a aerului
	Comutatorul nu a fost setat la încălzire	Rotiți comutatorul la setarea de încălzire
Zgomot anormal	Termostatul este acționat	Rotiți termostatul și ascultați dacă se aude sunetul de deschidere/închidere. Dacă nu se aude un clic și termostatul nu este deteriorat, aeroterma se va porni automat când aparatul s-a răcit
	Decuplarea automată s-a declanșat	Opriti aeroterma și verificați blocarea intrării sau a ieșirii. Deconectați ștecherul și așteptați cel puțin 10 minute până când sistemul de protecție se resetează înainte de a încerca să reporniți aeroterma.
	Aparatul nu este în poziție verticală	Puneți aeroterma pe o suprafață dreaptă

MEDIU



Aparatele electrice sau electronice deteriorate și/sau defecte trebuie colectate în punctele de reciclare corespunzătoare.

Numai pentru țările din CE

Nu aruncați echipamentele acționate electric împreună cu gunoiul menajer. Conform Indicației europene 2012/19/UE pentru echipamente electrice și electronice uzate și a implementării sale la nivel național, echipamentele acționate electric scoase din uz trebuie colectate separat și evacuate într-o manieră ecologică.

GARANȚIE

Produsele VONROC sunt realizate la cele mai înalte standarde de calitate și sunt garantate în privința materialelor și a manoperei pentru întreaga perioadă de utilizare în garanție, începând cu data achiziției. În cazul în care produsul prezintă defecțiuni în perioada de garanție din cauza materialului defect și/sau a manoperei, contactați direct VONROC.

Următoarele circumstanțe sunt excluse de la această garanție:

- Reparațiile sau modificările efectuate sau care s-au încercat a fi efectuate de centre de service neautorizate;
- Uzura în condiții normale de utilizare;
- Unealta care a fost utilizată în mod abuziv, neglijent sau întreținută în mod inadecvat;
- Folosirea unor piese de schimb neoriginale.

Aceasta acoperă garanția companiei, explicită sau implicită. Nu există alte garanții explicite sau implicite care să se extindă dincolo de cele indicate aici, incluzând garanțiile, vandabilitatea sau adecvarea pentru un anumit scop. În nicio situație, VONROC nu este responsabil pentru daunele incidentale sau consecvențiale. Reparațiile efectuate de reprezentant trebuie să fie limitate la reparațiile sau la înlocuirea unităților sau a pieselor neconforme.

Produsul și manualul de utilizare pot suferi modificări. Specificațiile se pot modifica fără notificare prealabilă.

Identificatorul modelului: EH510AC					
Element	Simbol	Valoare	Unitate	Element	Unitate
Putere termică				Tipul de putere termică, numai pentru încălzitoarele locale de stocare electrică (selecțai unul)	
Putere nominală de încălzire	P _{nom}	2,0	kW	Control manual al sarcinii de căldură, cu termostat integrat	Nu
Putere minimă de încălzire (orientativ)	P _{min}	1,0	kW	Control manual al încălzirii cu feedback de temperatură în cameră și/sau exterior	Nu
Putere maximă continuă de încălzire	P _{max,c}	2,0	kW	Control electronic al căldurii cu feedback de temperatură ambiantă și/sau exterioară	Nu
Consumul de energie electrică auxiliară				eliminare de căldură asistată de ventilator	
La putere nominală de încălzire	e _{lmax}	0	kW	Tipul de eliminare a căldurii/controlul temperaturii camerei (selecțai unul)	
La putere minimă de încălzire	e _{lmin}	0	kW	Putere de încălzire într-o singură etapă și fără control al temperaturii camerei	Nu
În modul de așteptare	e _{LSB}	0	kW	Două sau mai multe trepte manuale, fără control al temperaturii camerei	Nu
				Cu termostat mecanic pentru controlul temperaturii camerei	Da
				Cu control electronic al temperaturii camerei	Nu
				Control electronic al temperaturii camerei plus cronometru de zi	Nu
				Control electronic al temperaturii camerei plus cronometru săptămânal	Nu
Alte opțiuni de control (selecții multiple posibile)					
				Controlul temperaturii camerei, cu detectarea prezenței	Nu
				Controlul temperaturii camerei, cu detectarea ferestrei deschise	Nu
				cu opțiune de control la distanță	Nu
				cu control adaptiv al pornirii	Nu
				cu limitare a timpului de lucru	Nu
				cu senzor cu bec negru	Nu
Detalii de contact	VONROC • Lingenstraat 6 • 8028 PM • Zwolle • Olanda				

Identificatorul modelului: EH511AC					
Element	Simbol	Valoare	Unitate	Element	Unitate
Putere termică				Tipul de putere termică, numai pentru încălzitoarele locale de stocare electrică (selecțai unul)	
Putere nominală de încălzire	Pnom	3,0	kW	Control manual al sarcinii de căldură, cu termostat integrat	Nu
Putere minimă de încălzire (orientativ)	Pmin	2,0	kW	Control manual al încălzirii cu feedback de temperatură în cameră și/sau exterior	Nu
Putere maximă continuă de încălzire	Pmax,c	3,0	kW	Control electronic al căldurii cu feedback de temperatură ambiantă și/sau exterioară	Nu
Consumul de energie electrică auxiliară				eliminare de căldură asistată de ventilator	
La putere nominală de încălzire	elmax	0	kW	Tipul de eliminare a căldurii/controlul temperaturii camerei (selecțai unul)	
La putere minimă de încălzire	elmin	0	kW	Putere de încălzire într-o singură etapă și fără control al temperaturii camerei	Nu
În modul de așteptare	elSB	0	kW	Două sau mai multe trepte manuale, fără control al temperaturii camerei	Nu
				Cu termostat mecanic pentru controlul temperaturii camerei	Da
				Cu control electronic al temperaturii camerei	Nu
				Control electronic al temperaturii camerei plus cronometru de zi	Nu
				Control electronic al temperaturii camerei plus cronometru săptămânal	Nu
				Alte opțiuni de control (selecții multiple posibile)	
				Controlul temperaturii camerei, cu detectarea prezenței	Nu
				Controlul temperaturii camerei, cu detectarea ferestrei deschise	Nu
				cu opțiune de control la distanță	Nu
				cu control adaptiv al pornirii	Nu
				cu limitare a timpului de lucru	Nu
				cu senzor cu bec negru	Nu
Detalii de contact	VONROC • Lingenstraat 6 • 8028 PM • Zwolle • Olanda				

1. INSTRUÇÕES DE SEGURANÇA

Leia os avisos de segurança fornecidos, os avisos de segurança adicionais e as instruções. O não cumprimento dos avisos de segurança e das instruções pode resultar em choque eléctrico, incêndio e/ou ferimentos graves. Guarde os avisos de segurança e as instruções para referência futura.

Os seguintes símbolos são utilizados no manual do utilizador ou no produto:



Leia o manual do utilizador.



Indica o risco de ferimentos, morte ou danos na ferramenta se as instruções indicadas neste manual não forem seguidas.



Indica risco de choque eléctrico.



Máquina de classe II - Isolamento duplo - Não é necessária uma ficha com ligação à terra.



Importante! AVISO: Para evitar sobreaquecimento, não tape o aquecedor.



Não elimine o produto em recipientes não adequados.



O produto está em conformidade com as normas de segurança aplicáveis nas directivas europeias.

AVISOS GERAIS DE SEGURANÇA

Este equipamento pode ser utilizado por crianças a partir dos 8 anos e por pessoas com capacidades físicas, sensoriais ou mentais reduzidas ou com falta de experiência e conhecimentos que tenham recebido instruções ou supervisão sobre a utilização segura do equipamento e compreendam os riscos envolvidos. As crianças não devem brincar com o equipamento.

A limpeza e a manutenção por parte do utilizador não devem ser efectuadas por crianças sem supervisão.

As crianças com menos de 3 anos devem ser mantidas afastadas, a menos que sejam supervisionadas de maneira contínua. As crianças com idades

compreendidas entre os 3 e os 8 anos só devem ligar/desligar o equipamento se este tiver sido colocado ou instalado na posição de funcionamento normal pretendida e se forem supervisionadas e tiverem recebido instruções sobre a utilização do equipamento em segurança e compreenderem os riscos associados. As crianças com idades compreendidas entre os 3 e os 8 anos não devem ligar, regular e limpar o equipamento ou efectuar a manutenção do utilizador.



CUIDADO: algumas peças deste produto podem ficar muito quentes e causar queimaduras. Deve ser prestada especial atenção se houver crianças e pessoas vulneráveis.

AVISOS DE SEGURANÇA ADICIONAIS PARA AQUECEDOR ELÉCTRICO

- As crianças não devem estar presentes, a menos que estejam sempre acompanhadas, para garantir que não brincam com a máquina.
- As crianças não devem ligar, colocar, utilizar, regular, limpar o equipamento ou efectuar tarefas de manutenção.
- CUIDADO: algumas peças deste produto podem ficar muito quentes e causar queimaduras. Deve ser prestada especial atenção se houver crianças e pessoas vulneráveis.
- O aquecedor não é adequado para utilização no exterior, em casas de banho ou noutros ambientes molhados ou húmidos.
- Tenha em atenção que o aquecedor pode ficar muito quente e, por conseguinte, deve ser colocado uma distância segura de objectos inflamáveis, como mobília, cortinas e objectos semelhantes.
- Utilize a pega quando mover este aquecedor.
- Não mova o aquecedor quando estiver quente. Aguarde até o produto arrefecer e depois pode utilizá-lo.
- Não tape o aquecedor.
- O aquecedor não deve ser colocado imediatamente abaixo de uma tomada de parede
- Não ligue o aquecedor com um temporizador de ligar/desligar ou outro equipamento que desligue o dispositivo automaticamente.
- O aquecedor não deve ser colocado/utilizado em salas onde sejam utilizados ou armazenados líquidos ou gases inflamáveis.

- Se utilizar uma extensão, deve ser a mais curta possível e deve estar sempre totalmente esticada.
- Não deve ligar outros equipamentos à tomada de parede do aquecedor.
- Não utilize o aquecedor perto de banheiras, chuveiros ou piscinas.
- Se o cabo de alimentação estiver danificado, deve ser substituído pelo fabricante, o respectivo técnico de assistência ou técnicos devidamente qualificados para evitar uma situação de perigo.
- O aquecedor deve ser sempre vigiado e as crianças e animais devem estar sempre afastados.
- Não coloque/utilize o aquecedor sobre veículos em movimento ou num local onde seja fácil tropeçar na máquina.
- Se o aquecedor não for utilizado durante muito tempo, desligue-o da tomada. Puxe pela ficha, nunca retire a ficha pelo cabo.
- Mantenha o aquecedor afastado de cortinas ou locais onde a ventoinha de entrada de ar possa ficar obstruída.
- O acoplador de energia é impermeável à água quando não estiver a ser utilizado. Para evitar um choque eléctrico ou corrente de fuga, nunca utilize o aquecedor com as mãos molhadas ou se o cabo de alimentação do aquecedor estiver molhado.
- Não elimine equipamentos eléctricos como resíduos municipais não triados, utilize instalações de recolha separadas. Contacte a sua autarquia para obter informações sobre os sistemas de recolha disponíveis. Se o equipamento eléctrico for eliminado em aterros ou lixeiras, pode haver uma fuga de substâncias perigosas para as águas subterrâneas e entrar em contacto com a cadeia alimentar, o que é prejudicial para a sua saúde e bem-estar.



Aviso! Não utilize este aquecedor em salas pequenas quando estiverem ocupadas por pessoas sem capacidade para sair da sala sozinhas, a menos que seja fornecida uma supervisão constante.



Aviso! Para reduzir o risco de incêndio, mantenha os têxteis, cortinas ou qualquer material inflamável a uma distância mínima de 1 m da saída de ar (4).

Segurança eléctrica

Quando utilizar máquinas eléctricas, respeite sempre os regulamentos de segurança aplicáveis ao seu país para reduzir o risco de incêndio, choque eléctrico e ferimentos. Leia as seguintes instruções de segurança e as instruções de segurança fornecidas.



Verifique sempre se a tensão da fonte de alimentação corresponde à tensão indicada na etiqueta da placa sinalética.

Ligação à fonte de alimentação

Verifique se a fonte de alimentação e a ficha são utilizadas de acordo com a sua máquina. Consulte a placa sinalética na máquina. Quaisquer alterações devem ser sempre efectuadas por um electricista qualificado.



Aviso! Evite o contacto com os terminais na ficha quando instalar (ou retirar) a ficha da tomada de alimentação. O contacto causa um choque eléctrico grave.

Substituir cabos ou fichas

Se for necessário substituir o cabo de alimentação, isto deve ser efectuado pelo fabricante ou pelo respectivo técnico para evitar situações de risco. Deite fora de imediato cabos e fichas antigas que tenham sido substituídos por novos. É perigoso inserir a ficha de um cabo solto numa tomada de parede.

Utilizar extensões

Utilize apenas as extensões aprovadas que sejam adequadas para a entrada de alimentação da máquina. A espessura mínima do condutor é de 1,5 mm². Quando utilizar um enrolador de cabos, desenrole sempre o enrolador por completo.

2. INFORMAÇÕES SOBRE O PRODUTO

Utilização pretendida

O aquecedor eléctrico PTC é concebido apenas para utilização doméstica, em armazéns e em oficinas. Não utilize o produto para qualquer outra finalidade. O aquecedor pode ser utilizado em salas fechadas numa posição não fixada para aquecer divisões. O aquecedor só pode ser utilizado totalmente montado e colocado na vertical numa super-

fície estável. Inclui um termóstato e uma protecção térmica de reposição automática para controlar o elemento de aquecimento e, por conseguinte, temperatura.

ESPECIFICAÇÕES TÉCNICAS

Modelo n.º	EH510AC	EH511AC
Fonte de alimentação	220 - 240 V, ~ 50 Hz	
Potência nominal	2000W	3000W
Classe de protecção	Classe II	
Definições	22W (apenas a ventoinha) 1000W/2000W	7W (apenas a ventoinha) 2000W/3000W
Termostato de reposição automática	70°C	65°C
Capacidade de aquecimento	20 m ²	30 m ²
Comprimento do cabo	1,6 m	
Peso	1,4 kg	1,5 kg

DESCRIÇÃO

Os números indicados no texto dizem respeito aos diagramas nas páginas 2 e 3.

1. Pega
2. Elemento de aquecimento
3. Entrada de ar
4. Saída de ar
5. Indicador de alimentação
6. Botão de função
7. Desligado
8. Ventoinha
9. Modo de aquecimento reduzido
10. Modo de aquecimento elevado
11. Botão do termóstato
12. Interruptor de segurança anti-queda
13. Cabo de alimentação

3. FUNCIONAMENTO



Verifique se o dispositivo apresenta danos antes de utilizá-lo e verifique se está em boas condições de funcionamento.

Quando utilizar o aquecedor pela primeira vez, pode reparar numa ligeira emissão de fumo. Isto é normal e pára após alguns minutos. O elemento de

aquecimento é feito de aço inoxidável e foi revestido com uma camada de óleo de protecção para protegê-lo. O fumo é causado pelo óleo quando é aquecido.

Colocar o aquecedor eléctrico (Fig. A)

- Coloque o aquecedor na vertical sobre uma superfície robusta e nivelada.
- Mantenha uma distância mínima de 1 m entre a parte da frente da divisão e as paredes, materiais combustíveis (móveis, cortinas, etc.) e a 30 cm de todas as outras áreas de superfície da residência. Mantenha afastado de ambientes húmidos.
- Após um período de armazenamento prolongado, certifique-se sempre de que o elemento de aquecimento (2) está limpo e sem pó.



Aviso! Certifique-se de que coloca o aquecedor num lugar seguro, para que não tropece facilmente na máquina e no cabo. Certifique-se de que coloca o aquecedor num local onde não caia.

Ligar o aquecedor eléctrico (Fig. A, B)

- Ligue o cabo (13) à rede eléctrica.
- Coloque o botão do termóstato (11) na posição Máx.
- O aquecedor é ligado quando coloca o botão de função (6) numa das definições de energia.
- A luz indicadora de alimentação (5) acende-se.
- Quando a sala estiver à temperatura pretendida, rode o botão do termóstato (11) para trás lentamente até ouvir um clique e o indicador luminoso de alimentação (5) acender-se.
- O aquecedor é iniciado e pára automaticamente e, por conseguinte, mantém a temperatura ambiente constante. Isto significa que quando a temperatura diminui, o elemento de aquecimento e a ventoinha são iniciados novamente.

Definições das funções (Fig. B)

Pode rodar o botão de função para escolher várias funções (6).

- Desligar (7)
- Apenas ventoinha (8)
- Modo de aquecimento reduzido (9)
- Modo de aquecimento elevado (10)

Interruptor de segurança anti-queda (12)

Este aquecedor tem uma protecção de segurança anti-queda mecânica. Esta protecção garante que quando o aquecedor não é colocado na vertical numa superfície firme e nivelada ou se o aquecedor cair, o sistema desliga automaticamente o aquecedor. Se isto ocorrer, coloque o aquecedor numa superfície firme e nivelada e ligue novamente o aquecedor.

Controlo automático de sobreaquecimento

Este aquecedor está equipado com um termóstato interno de limitação de calor de segurança e um circuito de protecção contra sobreaquecimento. Quando é atingida uma temperatura de sobreaquecimento, o sistema desliga automaticamente o aquecedor.

Parar o aquecedor eléctrico (Fig. A, B)



Antes de desligar a máquina, utilize a função de ventilação para arrefecê-la.

- Rode o botão do termóstato (11) para a posição mais baixa e rode o botão do termóstato para a posição de ventoinha (8).
- Deixe a ventoinha arrefecer o equipamento durante uns minutos.
- Rode o botão de função (6) para a posição de desligado (7).
- Retire a ficha da rede eléctrica.

Armazenar o aquecedor eléctrico

- Aguarde até o aquecedor arrefecer por completo antes de armazenar a máquina.
- Nunca enrole o cabo à volta do aquecedor



Aviso! Não armazene a máquina num ambiente húmido ou poeirento

4. MANUTENÇÃO



Antes de efectuar a limpeza e a manutenção, desligue sempre a máquina e retire a ficha de alimentação da rede eléctrica.

Limpeza



Antes de proceder à limpeza, aguarde até a máquina arrefecer por completo.

- Limpe o aquecedor com uma toalha seca ou um aspirador.
- Para proteger a caixa, não salpique água em cima do aquecedor e nunca utilize solventes como gasolina, acetato de isoamilo, tolueno, etc. para limpar o aquecedor.
- Antes de armazenar o aquecedor, deixe-o arrefecer e mantenha-o seco.

Resolução de problemas

No caso do aquecedor eléctrico não funcionar correctamente, fornecemos algumas causas possíveis e as respectivas soluções.

Problema	Causa possível	Solução
O aquecedor não funciona, mesmo depois de ligar o aquecedor, o interruptor e o termóstato.	A ficha está solta, a ligação não está correcta	Retire a ficha, verifique a ligação da ficha e da tomada. Em seguida, volte a ligá-la.
	Não há corrente na tomada eléctrica	Coloque a ficha numa tomada adequada
	Protecção anti-queda	Coloque o aquecedor numa superfície robusta e nivelada.
	Protecção contra aquecimento	Desligue o aquecedor e aguarde pelo menos 30 minutos até arrefecer e depois reinicie o aquecedor.
O elemento de aquecimento está a brilhar	A tensão de entrada é demasiado elevada ou demasiada baixa	Utilize a fonte de alimentação de acordo com a classificação indicada na etiqueta
	A grelha de entrada de ar (3) está obstruída	Mantenha o aquecedor afastado de objectos como cortinas, sacos de plástico, papel e outros objectos que obstruam a entrada ou possam obstruir facilmente a entrada de ar

O equipamento não aquece, só funciona o ventilador	O interruptor não foi colocado na posição de aquecimento	Rode o interruptor para a definição de aquecimento
	O termóstato está a funcionar	Rode o termóstato e verifique se há algum ruído de abertura/fecho. Se não houver um som de clique e o termóstato não estiver danificado, o aquecedor é ligado automaticamente quando o equipamento arrefecer
	A protecção de reposição automática é activada	Desligue o aquecedor e inspeccione se existe um bloqueio na entrada ou saída. Desligue a ficha e aguarde pelo menos 10 minutos até o sistema de protecção ser reposta antes de voltar a tentar reiniciar o aquecedor.
Ruído anormal	Não é possível colocar o equipamento na vertical	Coloque o aquecedor numa superfície nivelada

- Se forem efectuadas ou tentadas quaisquer reparações e/ou alterações na máquina por centros de assistência não autorizados;
- Desgaste normal;
- Se a ferramenta foi utilizada de maneira abusiva, indevida ou a manutenção for efectuada de maneira incorrecta;
- Se forem utilizadas peças sobresselentes não originais.

Isto constitui a única garantia feita pela empresa, de maneira expressa ou implícita. Não existem quaisquer outras garantias expressas ou implícitas que se prolonguem, incluindo as garantias implícitas de comercialização e adequação para fins específicos. A VONROC não será, em nenhuma circunstância, responsável por danos incidentais ou indirectos. Os fornecedores devem estar limitados a reparar ou substituir as unidades ou peças que não estejam em conformidade.

AMBIENTE



Os equipamentos eléctricos ou electrónicos defeituosos e/ou eliminados devem ser recolhidos em locais de reciclagem adequados.

Apenas para os países da CE

Não elimine as ferramentas eléctricas em conjunto com os resíduos domésticos. De acordo com a directiva europeia 2012/19/UE sobre resíduos de equipamentos eléctricos e electrónicos e a respectiva implementação na legislação nacional, as ferramentas eléctricas que já não sejam utilizadas devem ser recolhidas em separado e eliminadas de maneira ecológica.

GARANTIA

Os produtos da VONROC são desenvolvidos de acordo com os padrões de qualidade mais elevados e não apresentam quaisquer defeitos em termos de materiais e mão-de-obra em relação ao período estipulado por lei, cujo início é a partir da data de compra original. Se o produto apresentar qualquer falha durante este período devido a qualquer defeito no material e/ou de mão-de-obra, contacte a VONROC directamente.

As seguintes circunstâncias estão excluídas desta garantia:

O equipamento e o manual do utilizador estão sujeitos a alterações sem aviso prévio. As especificações podem ser alteradas sem aviso prévio.

Identificador(es) de modelo: EH510AC					
Item	Símbolo	Valor	Unidade	Item	Unidade
Saída de calor				Tipo de entrada de calor, apenas para aquecedores eléctricos de armazenamento local (seleccione um)	
Saída de calor nominal	Pnom	2,0	kW	controlo de carga calorífica manual, com termóstato integrado	Não
Saída mínima de calor (indicativa)	Pmin	1,0	kW	controlo de carga calorífica manual com informações sobre temperatura ambiente e/ou exterior	Não
Saída máxima de calor contínuo	Pmax,c	2,0	kW	controlo de carga calorífica electrónica com informações sobre temperatura ambiente e/ou exterior	Não
Consumo de electricidade auxiliar				saída de calor com ventoinha integrada	Não
À saída de calor nominal	elmax	0	kW	Tipo de saída de calor/controlo da temperatura ambiente (seleccione um)	
À saída de calor mínima	elmin	0	kW	saída de calor monofásica e sem controlo da temperatura ambiente	Não
No modo de espera	elSB	0	kW	Duas ou mais fases manuais, sem controlo da temperatura ambiente	Não
				com controlo mecânico da temperatura ambiente do termóstato	Sim
				com controlo electrónico da temperatura ambiente	Não
				controlo electrónico da temperatura ambiente, mais temporizador diário	Não
				controlo electrónico da temperatura ambiente, mais temporizador semanal	Não
				Outras opções de controlo (várias selecções possíveis)	
				controlo da temperatura ambiente, com detecção de presença	Não
				controlo da temperatura ambiente, com detecção de janela aberta	Não
				com opção de controlo da distância	Não
				com controlo de arranque adaptativo	Não
				com limitação de tempo de funcionamento	Não
				com sensor de lâmpada preta	Não
Dados de contacto	VONROC • Lingenstraat 6 • 8028 PM • Zwolle • Países Baixos				

Identificador(es) de modelo: EH511AC					
Item	Símbolo	Valor	Unidade	Item	Unidade
Saída de calor				Tipo de entrada de calor, apenas para aquecedores eléctricos de armazenamento local (seleccione um)	
Saída de calor nominal	Pnom	3,0	kW	controlo de carga calorífica manual, com termóstato integrado	Não
Saída mínima de calor (indicativa)	Pmin	2,0	kW	controlo de carga calorífica manual com informações sobre temperatura ambiente e/ou exterior	Não
Saída máxima de calor contínuo	Pmax,c	3,0	kW	controlo de carga calorífica electrónica com informações sobre temperatura ambiente e/ou exterior	Não
Consumo de electricidade auxiliar				saída de calor com ventoinha integrada	
À saída de calor nominal	elmax	0	kW	Tipo de saída de calor/controlo da temperatura ambiente (seleccione um)	
À saída de calor mínima	elmin	0	kW	saída de calor monofásica e sem controlo da temperatura ambiente	Não
No modo de espera	eISB	0	kW	Duas ou mais fases manuais, sem controlo da temperatura ambiente	Não
				com controlo mecânico da temperatura ambiente do termóstato	Sim
				com controlo electrónico da temperatura ambiente	Não
				controlo electrónico da temperatura ambiente, mais temporizador diário	Não
				controlo electrónico da temperatura ambiente, mais temporizador semanal	Não
				Outras opções de controlo (várias selecções possíveis)	
				controlo da temperatura ambiente, com detecção de presença	Não
				controlo da temperatura ambiente, com detecção de janela aberta	Não
				com opção de controlo da distância	Não
				com controlo de arranque adaptativo	Não
				com limitação de tempo de funcionamento	Não
				com sensor de lâmpada preta	Não
Dados de contacto	VONROC • Lingenstraat 6 • 8028 PM • Zwolle • Países Baixos				

1. BIZTONSÁGI UTASÍTÁSOK

Olvassa el az összes mellékelt biztonsági figyelmeztetést. A figyelmeztetések és utasítások be nem tartása áramütéshez, tűz keletkezéséhez vagy akár súlyos személyi sérüléshez vezethet. Őrizze meg a biztonsági figyelmeztetéseket és utasításokat későbbre is.

A használati útmutatóban és a terméken a következő jelölésekkel találkozhat:



Olvassa el a használati útmutatót.



Jelzi a személyi sérülések, az életveszély vagy a szerszám károsodásának veszélyét.



Áramütés veszélyét jelzi.



II érintésvédelmi osztályú gép - Kettős szigetelés: földvezeték nélküli csatlakozó aljzatról is használható.



Fontos! FIGYELMEZTETÉS: A túlmelegedés elkerülésére ne takarja le a hőszugárzót.



A terméket hulladékként ne tegye arra nem alkalmas konténerbe.



A termék megfelel az európai irányelvek releváns biztonsági követelményeinek.

ÁLTALÁNOS BIZTONSÁGI FIGYELMEZTETÉSEK

A készüléket 8 éves vagy annál idősebb gyermekek, valamint csökkent fizikai, érzékszervi vagy mentális képességekkel rendelkező személyek, vagy megfelelő tapasztalattal és tudással nem rendelkező személyek csak felügyelet mellett használhatják, ill. ha megfelelő utasításokat kaptak a készülék biztonságos használatához és megértették a kapcsolódó veszélyeket. A készülék nem gyermekek kezébe való játékszer.

A tisztítását és karbantartását gyermek felügyelet nélkül nem végezheti.

A 3 évnél fiatalabb gyerekektől távol kell tartani; vagy őket folyamatosan felügyelni kell. A 3 éves vagy idősebb, de 8 évnél fiatalabb gyerekek a készüléket csak akkor kapcsolhatják be és ki, ha azt megfelelően helyezték el, telepítették és azt rendes üzemi pozícióban használnák és megfelelő utasítá-

sokat kaptak a készülék biztonságos használatához és megértették a kapcsolódó veszélyeket. A 3 éves vagy idősebb, de 8 évnél fiatalabb gyerekek a készüléket nem csatlakoztathatják elektromos aljzathoz és a készüléket nem szabályozhatják, tisztíthatják és nem végezhetnek rajta felhasználói karbantartást.



VIGYÁZAT - a termék bizonyos részei forrók lehetnek és égési sérülést okozhatnak. Különösen legyen óvatos, figyelmes, ha gyerekek vagy más sérülékeny emberek találhatók a közelben.

KIEGÉSZÍTŐ BIZTONSÁGI FIGYELMEZTETÉSEK AZ ELEKTROMOS HŐSZUGÁRZÓHOZ

- A gyermekek tartózkodjanak távol a hőszugárzótól, vagy legyenek folyamatos felügyelet alatt, hogy ne játszhassanak a hőszugárzóval.
- Gyermekek számára tilos bedugni, elhelyezni, működtetni, szabályozni, tisztítani és karbantartani a berendezést.
- VIGYÁZAT - a termék bizonyos részei forrók lehetnek és égési sérülést okozhatnak. Különösen legyen óvatos, figyelmes, ha gyerekek vagy más sérülékeny emberek találhatók a közelben.
- A hőszugárzó nem alkalmas kültéri, fürdőszobai vagy egyéb vizes, nedves környezetben vagy nedves, párás időben történő alkalmazásra.
- Vegye figyelembe, hogy a hőszugárzó nagyon fel tud forrósodni, ezért biztonságos távolságban kell elhelyezni a gyúlékony tárgyaktól, például a bútorzattól vagy függönytől.
- A hőszugárzó mozgatásához használja a fogantyút.
- Ne mozgassa a hőszugárzót, amikor az működésben van. Csak akkor mozgassa a terméket, ha az már megfelelően lehűlt.
- Ne takarja le a fűtőberendezést.
- A hőszugárzót közvetlenül a fali aljzat alatt kell elhelyezni
- Ne csatlakoztassa a hőszugárzót be-/kikapcsoló időzítőhöz vagy egyéb olyan berendezéshez, amely automatikusan be tudja kapcsolni a berendezést.
- A hőszugárzót tilos olyan helyiségbe tenni / olyan helyiségben használni, ahol gyúlékony folyadékokat vagy gázokat használnak vagy tárolnak.
- Ha hosszabbító kábelt használ, akkor az legyen a lehető legrövidebb, és mindig teljesen tekerje le.
- Tilos ugyanabba a fali aljzatba ezen a hőszugárzón kívül másik berendezést is bedugni.

- Ne használja a hősugárzót fürdőszoba, zuhanyzó vagy medence közvetlen közelében.
- Ha a hálózati csatlakozódugó megsérült, a veszélyhelyzetek elkerülése érdekében ki kell cseréltetni a gyártóval, megbízott szervizzel, vagy más, hasonlóan képzett szakemberrel.
- Gondoskodjon arról, hogy a hősugárzó mindig felügyelet alatt legyen, tartsa távol tőle a gyerekeket és az állatokat.
- Ne helyezze/használja a hősugárzót mozgó járműveken, vagy olyan helyeken, ahol könnyen bele lehet botlani.
- Ha a hősugárzót hosszabb ideig nem fogja használni, húzza ki a hálózati aljzattól. Húzza ki egyenesen a dugót, soha ne a vezetéknél fogva húzza ki az aljzattól.
- Tartsa távol a hősugárzót olyan helyektől, ahol a légbeszívó nyílás könnyen eltömődhet.
- A tápcsatlakozó használaton kívül vízálló. Egy esetleges áramütés vagy áramszivárgás megakadályozása érdekében soha ne használja vizes kézzel a hősugárzót, és ne is működtesse, ha vizes a tápellátó vezeték.
- Ne dobjon elektromos berendezést a kommunális hulladék közé, vegye igénybe a szelektív gyűjtési lehetőségeket. A rendelkezésre álló gyűjtési rendszerekről érdeklődjön a helyi önkormányzatnál. Amennyiben az elektromos berendezés szeméttérakóba kerül, akkor veszélyes anyagok kerülhetnek a talajvízbe és így a táplálékláncba, károsítva az Ön egészségét és jóllétét.



Figyelmeztetés! Ezt a hősugárzót nem szabad olyan helyiségben használni, amelyben olyan személyek tartózkodnak, akik önmaguktól nem tudnak kimenni a helyiségből, kivéve, ha valaki folyamatosan felügyeli a helyiséget.



Figyelmeztetés! A tűzveszély csökkentése érdekében a textilákat, a függönyöket és más gyúlékony anyagokat legalább 1 m távolságban tartsa a levegőkimeneti (4) nyílástól.

Elektromos biztonság

Elektromos berendezések használata esetén minden esetben tartsa be az adott ország biztonsági előírásait, hogy elkerülje a tüzesetek, az áramütés és a személyi sérülés kockázatát. Olvassa

el a következő biztonsági utasításokat, valamint a mellékelt biztosítási utasításokat.



Mindig ellenőrizze, hogy a hálózati feszültség megfelel-e az adattáblán lévő feszültségértékkel.

Csatlakoztatás a tápellátáshoz

Ellenőrizze, hogy a tápegység és a csatlakozó használata megfelel-e a munkagépnek. Nézze meg a gép adattábláját. A módosításokat mindig szakértett villanyszerelőnek kell elvégeznie.



Figyelmeztetés! Kerülje el, hogy a csatlakozó érintkezőkhöz érjen, amikor a csatlakozót a fali aljzatba dugja / a fali aljzattól kihúzza. Az érintkezés súlyos áramütést okozhat.

Kábelek és dugók cseréje

Amennyiben a hálózati zsinórt cserélni kell, azt a biztonsági kockázatok megelőzése céljából csak a gyártó vagy az általa megbízott szerelő végezheti el. Azonnal selejtezze le a régi kábeleket és dugókat, ha azokat újakra cserélte. Veszélyes lehet egy meglazult kábel dugóját a fali aljzathoz csatlakoztatni.

Hosszabbító kábelek használata

Csak a gép felvett teljesítményéhez megfelelő, jóváhagyott hosszabbító kábelt használjon. A vezeték minimális keresztmetszete: 1,5 mm². Kábeldob használatakor mindig teljesen tekerceselje le a vezetékét.

2. TERMÉKINFORMÁCIÓK

Rendeltetés

Elektromos PTC ventilátoros hősugárzó - kizárólag raktári, műhely használatra. A terméket nem szabad ettől eltérő célra használni. Szobamelegítésre a hősugárzót zárt helyiségben szabadon álló pozícióban lehet használni. A hősugárzót teljesen felszerelt és függőlegesen álló helyzetben lehet használni, stabil felületen elhelyezve. Magába foglal egy termosztátot és egy önvisszaállító termikus kioldót, amely a fűtőelemeket, így a hőmérsékletet szabályozza.

MŰSZAKI ADATOK

Modellazonosító	EH510AC	EH511AC
Tápellátás	220-240 V ~ 50 Hz	
Névleges teljesítmény	2000W	3000W
Védelmi osztály	II-es osztály	
Beállítás	22W (csak ventilátor) 1000W / 2000W	7W (csak ventilátor) 2000W / 3000W
Saját magát reteszelő termosztát	70°C	65°C
Fűtőkapacitás	20m ²	30m ²
Kábelhossz	1,6 m	
Súly	1,4 kg	1,5 kg

LEÍRÁS

A szövegbeli számok a 2–3. oldal képeire utalnak.

1. Fogantyú
2. Fűtőelem
3. Levegőbemenet
4. Levegőkimenet
5. Tápfeszültségjelző
6. Funkciógomb
7. KI
8. Ventilátor
9. Enyhe fűtési mód
10. Erős fűtési mód
11. Termosztátgomb
12. Felborulásvédelmi kapcsoló
13. Hálózati kábel

3. HASZNÁLAT



A használat előtt ellenőrizze a berendezés sérülésmentes állapotát. Kizárólag jó állapotban lévő berendezést használjon.

Amikor első alkalommal használja a hőszugárzót, enyhe füstszagra lehet figyelmes. Ez teljesen normális jelenség és rövid idő múltán abba is marad. A fűtőelemeket rozsdamentes acélból készítettük és a gyártás során védőolajjal vontuk be. A füstöt a rajta lévő maradék olaj képezi melegedéskor.

Az elektromos hőszugárzó leállítás (A ábra)

- A hőszugárzót szilárd, vízszintes felületen helyezze el.

- Hagyjon legalább 1 méteres távolságot a burkolat eleje, valamint 30 centiméteres távolságot a többi burkolat felszíne és bármilyen fal, éghető anyag (bútorzat, függöny stb.) között. Ne használja nedves környezetben.
- Hosszabb tárolást követően győződjön meg arról, hogy a fűtőelem (2) tiszta és pormentes.



Figyelmeztetés! Győződjön meg arról, hogy a fűtőberendezést biztonságos helyre tette és nem lehet sem a berendezésben, sem a kábelben megbotlani. Győződjön meg arról, hogy a berendezés nem tud leesni.

Az elektromos hőszugárzó beindítása (A és B ábra)

- Csatlakoztassa a kábelt (13) az elektromos aljzathoz.
- Állítsa a termosztátgombot (11) a maximumra.
- A hőszugárzó akkor kapcsol be, ha a funkciógombot (6) a teljesítményfokozatok egyikére állítja.
- Az áramellátás jelzőlámpa (5) bekapcsol.
- Ha a helyiség elérte a kívánt hőmérsékletet, akkor lassan forgassa vissza a termosztát gombját (11), míg egy kattánást nem hall és a tápfeszültségjelző(5) lámpa ki nem alszik.
- Ekkor a hőszugárzó automatikusan elindul, majd kikapcsol, hogy a helyiséget állandó hőmérsékleten tartsa. Ez azt jelenti, hogy ha a lecsökken a hőmérséklet, a fűtőelem és a ventilátor ismét működésbe kezd.

Funkció beállítások (B ábra)

A funkciógomb (6) forgatásával különböző funkciókat állíthat be.

- Kikapcsolva (7)
- Csak ventilátor (8)
- Enyhe fűtési mód (9)
- Erős fűtési mód (10)

Felborulásvédelmi kapcsoló (12)

A hőszugárzó mechanikus felborulásvédelemmel rendelkezik. Ez a funkció automatikusan kikapcsolja a hőszugárzót, amikor a hőszugárzót nem álló helyzetben helyezik el vagy nem vízszintes és stabil felületre helyezik el, vagy ha a hőszugárzó felborul. Ilyen esetben tegye a hőszugárzót egy stabil és vízszintes felületre, majd kapcsolja be ismét a hőszugárzót.

Automata túlmelegedés elleni védelem

A hőszugárzó belső biztonsági termostattal és túlmelegedés ellen védő áramkörrel van ellátva. A potenciális túlmelegedési hőmérséklet elérésekor a rendszer automatikusan kikapcsolja a hőszugárzót.

Az elektromos hőszugárzó leállítása (A, B ábra)



A szellőztetési funkcióval először hűtse le a gépet, csak ezt követően kapcsolja ki.

- Fordítsa a termostátgombot (11) a legalacsonyabb állásba, majd forgassa a funkciógombot a ventilátor állásba (8).
- Hagyja, hogy pár percen keresztül a ventilátor lehűtse a berendezést.
- Forgassa a funkciógombot (6) kikapcsolt állásba (7).
- Húzza ki a dugót a hálózathoz.

Az elektromos hőszugárzó tárolása

- Mindig hagyja teljesen lehűlni a hőszugárzót, mielőtt eltárolná azt.
- Soha ne tekerje a kábelt a hőszugárzó köré



Figyelmeztetés! Soha ne tárolja a berendezést vizes vagy nedves környezetben

4. KARBANTARTÁS



Tisztítás és karbantartás előtt mindig kapcsolja ki a gépet, és húzza ki a hálózati csatlakozódugót.

Tisztítás



Tisztítás előtt minden esetben hagyja teljesen kihűlni a berendezést.

- Tisztítsa meg a hőszugárzót szárat törölőkendővel vagy porszívóval.
- A burkolat védelme érdekében ne fröcsköljön vizet a hőszugárzóra és soha ne használjon a tisztításakor benzint, izoamil-acetátot, toluolt vagy egyéb oldószert.
- Tárolás esetén először hagyja lehűlni, majd szárítsa meg.

Hibaelhárítás

Arra az esetre, ha az elektromos hőszugárzó nem működik jól, az alábbiakban felsorolunk néhány lehetséges okot és azok megoldásait.

Probléma	Lehetséges ok	Megoldás
A hőszugárzó nem működik, még akkor sem, ha be van dugva és a kapcsoló és a termostát be van kapcsolva.	Laza dugó, rossz csatlakozás	Húzza ki a dugót, ellenőrizze a dugó és az aljzat csatlakozását. Majd csatlakoztassa újra.
	Nincs áram a hálózati aljzatban	Dugja be a dugót megfelelő csatlakozójelzőbe
	Felborulásvédelem	A hőszugárzót szilárd, vízszintes felületen helyezze el.
A hőszugárzó izzik	Túlmelegedés elleni védelem	Húzza ki a hőszugárzó tápdugóját az elektromos aljzathoz, majd adjon legalább 30 percet a hőszugárzónak lehűlni, mielőtt újból bekapcsolja.
	A bemeneti feszültség túl magas vagy túl alacsony	Címke szerinti tápellátást használjon
A berendezés nem melegszik fel, csak a ventilátor működik	A légbeszívó rács (3) eldugult	A hőszugárzót tartsa távol függönytől, műanyag zsáktól, papírtól és minden olyan dologtól, amely könnyen eltakarja vagy eltakarhatja a légbemenetet
	A kapcsolót nem kapcsolta fűtésre	Állítsa a kapcsolót fűtésre
A berendezés nem melegszik fel, csak a ventilátor működik	A termostát működött	Forgassa el a termostátot és figyeljen, hall-e kinyílásra/bezárásra utaló hangot. Ha nem hall kattanást és a termostát nem károsodott, akkor a hőszugárzó automatikusan bekapcsol, ha a berendezés már lehűlt
	Működésbe lépett az önkilöldési funkció	Kapcsolja ki a hőszugárzót és ellenőrizze, nem tömődött-e el a bemeneti vagy kimeneti rész. Csatlakoztassa le a dugót és várjon legalább 10 percet, hogy a biztonsági rendszer alaphelyzetbe álljon, csak ezt követően indítsa újra a hőszugárzót.
Rendellenes zaj	A berendezés nem teljesen egyenesen áll	Helyezze a hőszugárzót egyenes felületre

KÖRNYEZETVÉDELME



A hibás vagy már feleslegessé vált elektromos, elektronikus készülékeket az ezzel foglalkozó hulladékgyűjtő helyeken kell leadni.

Csak EU országokban

Elektromos terméket ne dobjon a háztartási hulladékba. Az elektromos és elektronikai hulladékokra vonatkozó, 2012/19/EK európai irányelv és annak

a nemzeti törvénykezésbe történő átültetése értelmében az elhasználódott elektromos készülékeket külön kell gyűjteni és környezetbarát módon kell ártalmatlanítani.

JÓTÁLLÁS

A VONROC termékei a legmagasabb minőségi normák szerint készülnek, és az eredeti vásárlás napjától számított, törvényileg előírt időtartamig garanzáljuk, hogy anyag- és gyártási hibáktól mentesen fognak működni. Ha a termékben ezen időszak alatt bármilyen hiba jelentkezik anyag- és/vagy gyártási hiba miatt, kérjük, forduljon közvetlenül az Ön VONROC kapcsolattartójához.

A szavatosság nem érvényes a következő körülmények egyikére sem:

- Nem hivatalos szervizközpontok javítást vagy módosítást végeztek (vagy megkíséreltek javítást vagy módosítást végezni) a gépen;
- Normál elhasználódás és kopás;
- A szerszámot szabálytalanul vagy nem rendeltetésszerűen használták, vagy a karbantartása nem volt megfelelő;
- Nem eredeti pótalkatrészeket használtak.

A garancia a vállalat által (akár kifejezetten, akár hallgatólagosan) biztosított kizárólagos garancia. Nem biztosítunk más garanciákat (sem kifejezett, sem beleértett garanciákat, ideértve az értékesíthetőségre és az adott célra való alkalmasságra vonatkozó hallgatólagos garanciákat is), amelyek a jelen garancia hatókörén túlmutatnak. A VONROC semmilyen esetben sem felelős semmilyen járólékos vagy következményes kárért. A forgalmazók jogorvoslati teendői az előírásoknak nem megfelelő egységek vagy alkatrészek javítására és cseréjére korlátozódik.

A termék és a használati útmutató változtatásának jogát fenntartjuk. A műszaki adatok előzetes bejelentés nélkül változhatnak.

Típusazonosító(k): EH510AC					
Tétel	Szimbólum	Érték	Egység	Tétel	Egység
Hűteljesítmény				Hűteljesítmény típusa, kizárólag elektromos tároló helyiségmelegítők esetében (válasszon ki egyet)	
Névleges hűteljesítmény	Pnom	2,0	kW	manuális hűtöltés-szabályozás, integrált termosztáttal	Nem
Minimális hűteljesítmény (indikatív)	Pmin	1,0	kW	manuális hűtöltés-szabályozás szobai és/vagy szabadtéri hőmérsékleti visszajelzéssel	Nem
Maximális folyamatos hűteljesítmény	Pmax,c	2,0	kW	elektromos hűtöltés-szabályozás szobai és/vagy szabadtéri hőmérsékleti visszajelzéssel	Nem
Kiegészítő áramfogyasztás				ventilátoros hűteljesítmény	Nem
Névleges hűteljesítménynél	elmax	0	kW	A hűteljesítmény/szobai hőfokszabályozó típusa (válasszon ki egyet)	
Minimális hűteljesítménynél	elmin	0	kW	egylépcsős hűteljesítmény és nincs szobai hőfokszabályozás	Nem
Készenléti üzemmódban	eISB	0	kW	Két vagy több manuális lépcső, nincs szobai hőfokszabályozás	Nem
				mechanikus termosztáttal történő szobai hőfokszabályozással	Igen
				elektromos szobai hőfokszabályozással	Nem
				elektromos szobai hőfokszabályozással és napi időzítővel	Nem
				elektromos szobai hőfokszabályozással és heti időzítővel	Nem
				Egyéb vezérlési műveletek (több választás is lehetséges)	
				szobai hőfokszabályozás jelenlét-érzékeléssel	Nem
				szobai hőfokszabályozás nyitottablak-érzékeléssel	Nem
				távoli vezérlési opció	Nem
				adaptív indítási opció	Nem
				üzemidő korlátozási opció	Nem
				feketegömb-érzékelővel	Nem
Kapcsolat	VONROC • Lingenstraat 6 • 8028 PM • Zwolle • The Netherlands				

Típusazonosító(k): EH511AC					
Tétel	Szimbólum	Érték	Egység	Tétel	Egység
Hőteljesítmény				Hőteljesítmény típusa, kizárólag elektromos tároló helyiségmelegítők esetében (válasszon ki egyet)	
Névleges hőteljesítmény	Pnom	3,0	kW	manuális hűtőtés-szabályozás, integrált termosztáttal	Nem
Minimális hőteljesítmény (indikatív)	Pmin	2,0	kW	manuális hűtőtés-szabályozás szobai és/vagy szabadtéri hőmérsékleti visszajelzéssel	Nem
Maximális folyamatos hőteljesítmény	Pmax,c	3,0	kW	elektromos hűtőtés-szabályozás szobai és/vagy szabadtéri hőmérsékleti visszajelzéssel	Nem
Kiegészítő áramfogyasztás				ventilátoros hőteljesítmény	
				Nem	
Névleges hőteljesítménynél	elmax	0	kW	A hőteljesítmény/szobai hőfokszabályozó típusa (válasszon ki egyet)	
Minimális hőteljesítménynél	elmin	0	kW	egylépcsős hőteljesítmény és nincs szobai hőfokszabályozás	Nem
Készenléti üzemmódban	elSB	0	kW	Két vagy több manuális lépcső, nincs szobai hőfokszabályozás	Nem
				mechanikus termosztáttal történő szobai hőfokszabályozással	Igen
				elektromos szobai hőfokszabályozással	Nem
				elektromos szobai hőfokszabályozással és napi időzítéssel	Nem
				elektromos szobai hőfokszabályozással és heti időzítéssel	Nem
				Egyéb vezérlési műveletek (több választás is lehetséges)	
				szobai hőfokszabályozás jelenlét-érzékeléssel	Nem
				szobai hőfokszabályozás nyitottablak-érzékeléssel	Nem
				távolsi vezérlési opció	Nem
				adaptív indítási opció	Nem
				üzemidő korlátozási opció	Nem
				feketegömb-érzékelővel	Nem
Kapcsolat	VONROC • Lingenstraat 6 • 8028 PM • Zwolle • The Netherlands				

1. BEZPEČNOSTNÍ POKYNY

Přečtěte si přiložené bezpečnostní výstrahy, dodatečné bezpečnostní výstrahy a bezpečnostní pokyny. Nebudete-li dodržovat tyto bezpečnostní výstrahy a pokyny, může dojít k úrazu elektrickým proudem, k vzniku požáru nebo k vážnému zranění. Uschovejte tyto bezpečnostní výstrahy a pokyny pro budoucí použití.

V tomto návodu k obsluze a na tomto výrobku jsou použity následující symboly:



Přečtěte si návod k obsluze.



Upozorňuje na riziko zranění osob, ztráty života nebo poškození zařízení, nebudou-li dodržovány pokyny uvedené v tomto návodu.



Upozorňuje na nebezpečí úrazu elektrickým proudem.



Nářadí třídy II – Dvojitá izolace – Není nutné použít uzemňovacího vodiče.



Důležité! VAROVÁNÍ: Abyste předešli přehřátí ohřívače, nezakrývejte jej.



Nevyhazuje tento výrobek do nevhodného kontajneru.



Tento výrobek je vyroben v souladu s platnými bezpečnostními normami, které jsou uvedeny ve směrnicích EU.

OBCENÉ BEZPEČNOSTNÍ VÝSTRAHY

Tento spotřebič mohou používat děti starší 8 let a osoby se sníženými fyzickými, smyslovými nebo mentálními schopnostmi nebo nedostatkem zkušeností a znalostí, pokud jsou pod dohledem nebo byly poučeny o bezpečném používání spotřebiče a porozuměly souvisejícím rizikům. Děti si s tímto zařízením nesmí hrát.

Čištění a uživatelskou údržbu nesmí provádět děti bez dozoru.

Děti mladší 3 let se nesmí k zařízení přibližovat, pokud nejsou pod neustálým dohledem. Děti ve věku od 3 do 8 let smí zapínat/vypínat tento spotřebič pouze za předpokladu, že bude umístěn nebo

nainstalován v určené normální provozní poloze a že budou děti pod dohledem nebo byly poučeny o bezpečném používání tohoto spotřebiče a chápou související nebezpečí. Děti ve věku od 3 do 8 let nesmí tento spotřebič zapojovat, regulovat ani čistit, ani provádět jeho uživatelskou údržbu.



UPOZORNĚNÍ – Některé části tohoto zařízení mohou být velmi horké a mohou způsobit zranění. Zvláště opatrně si musíte počínat v přítomnosti dětí a zranitelných osob.

DOPLŇKOVÁ BEZPEČNOSTNÍ VAROVÁNÍ TÝKAJÍCÍ SE ELEKTRICKÉHO OHŘÍVAČE

- Děti se nesmí nacházet v blízkosti tohoto zařízení, pokud nejsou pod trvalým dozorem, aby bylo zajištěno, že si s tímto ohřívačem nebudou hrát.
- Děti nesmí zapojovat, umísťovat, ovládat, nastavovat a čistit toto zařízení nebo provádět jeho uživatelskou údržbu.
- UPOZORNĚNÍ – Některé části tohoto zařízení mohou být velmi horké a mohou způsobit zranění. Zvláště opatrně si musíte počínat v přítomnosti dětí a zranitelných osob.
- Tento ohřívač není vhodný pro použití venku ve vlhkém počasí, v koupelnách ani v jiném mokřím nebo vlhkém prostředí.
- Vezměte prosím na vědomí, že se tento ohřívač může velmi zahřát, a proto by měl být umístěn v bezpečné vzdálenosti od hořlavých předmětů, jako jsou záclony, nábytek a podobně.
- Při manipulaci s tímto ohřívačem používejte rukojeť.
- Nepohybujte s tímto ohřívačem, je-li v provozu. Před manipulací s tímto výrobkem počkejte, dokud zcela nevychladne.
- Ohřívač nezakrývejte.
- Tento ohřívač nesmí být umístěn přímo pod elektrickou zásuvkou
- Nepřipojujte tento ohřívač pomocí časového spínače nebo jiného přístroje, který umožňuje automatické zapnutí tohoto zařízení.
- Tento ohřívač nesmí být umístěn/provozován v místnostech, kde se používají nebo skladují hořlavé kapaliny či plyny.
- Pokud se používá prodlužovací kabel, musí být co nejkratší a vždy zcela rozvinutý.
- Do stejné elektrické zásuvky, ve které je připojen tento ohřívač, nesmíte připojovat žádná další spotřebiče.

- Nepoužívejte tento ohřívač v bezprostřední blízkosti vany, sprchy ani bazény.
- Dojde-li k poškození napájecího kabelu, musí být vyměněn výrobcem, jeho autorizovaným servisem nebo osobou s příslušnou kvalifikací, aby se předešlo možným rizikům.
- Ujistěte se, zda je tento ohřívač umístěn mimo dosah dětí a zvířat, a zajistěte, aby byl vždy pod dozorem.
- Neumísťujte tento ohřívač na pohyblivý vozík ani do míst, kde by o něj bylo možné snadno zakopnout. Také jej na těchto místech nepoužívejte.
- Pokud nebudete tento ohřívač delší dobu používat, odpojte jej od elektrické zásuvky. Uchopte zástrčku a vytáhněte ji. Nikdy neodpojujte zástrčku taháním za kabel.
- Udržujte ohřívač v dostatečné vzdálenosti od záclon nebo míst, kde by mohl být přívod vzduchu snadno blokován.
- Napájecí kabel je vodotěsný, pouze pokud není připojen do elektrické zásuvky. Abyste zabránili možnému úrazu elektrickým proudem nebo vzniku svodového proudu, nikdy neovládejte ohřívač mokřými rukama ani jej nepoužívejte, je-li na napájecím kabelu voda.
- Nelikvidujte elektrické spotřebiče jako netříděný komunální odpad, ale využijte sběrné dvory. Informace o dostupných systémech sběru odpadu vám sdělí místní úřady. Pokud jsou elektrické spotřebiče likvidovány na skládkách, mohou nebezpečné látky proniknout do podzemních vod a dostat se do potravinového řetězce, což může vést k poškození vašeho zdraví a zhoršení kvality života.



Varování! Nepoužívejte tento ohřívač v malých místnostech obsazených osobami, které nejsou schopny místnost samy opustit, není-li zajištěn neustálý dozor nad těmito osobami.



Varování! Z důvodu snížení rizika způsobení požáru udržujte textilie, závěsy nebo jakékoli jiné hořlavé materiály v minimální vzdálenosti 1 m od výstupu (4) vzduchu.

Elektrická bezpečnost

Používáte-li elektrická zařízení, vždy dodržujte bezpečnostní předpisy platné ve vaší zemi, aby bylo omezeno riziko vzniku požáru, úrazu elektrickým

proudem nebo zranění. Prostudujte si následující bezpečnostní pokyny a také přiložené bezpečnostní pokyny.



Vždy zkontrolujte, zda se napájecí napětí sítě shoduje s napájecím napětím na výkonovém štítku.

Připojení k napájecímu napětí

Zkontrolujte, zda jsou napájecí napětí a zástrčka napájecího kabelu vhodné pro váš stroj. Podívejte se na výkonový štítek stroje. Všechny změny smí provádět pouze kvalifikovaný elektrikář.



Varování! Při připojování (odpojování) zástrčky k (od) zásuvce se vyvarujte kontaktu s kolíky zástrčky. Takový kontakt způsobí vážný úraz elektrickým proudem.

Výměna kabelů nebo zástrček

Je-li nutná výměna napájecího kabelu, musí být provedena výrobcem nebo jeho autorizovaným zástupcem, aby bylo zabráněno bezpečnostnímu riziku. Po výměně napájecích kabelů nebo zástrček staré kabely a zástrčky ihned zlikvidujte. Připojení zástrčky poškozeného kabelu k síťové zásuvce je velmi nebezpečné.

Použití prodlužovacích kabelů

Používejte pouze schválený prodlužovací kabel, který je vhodný pro příkon tohoto stroje. Minimální průřez vodiče je 1,5 mm². Používáte-li cívkou s kabelem, vždy z cívky odvíňte celý kabel.

2. INFORMACE O VÝROBKU

Zamýšlené použití

Elektrický PTC ohřívač s ventilátorem pro použití pouze ve skladech, dílnách a domácnostech. Nepoužívejte tento výrobek k žádnému jinému účelu. Tento ohřívač může být v uzavřených místnostech používán jako volně stojící zařízení k vytápění místností. Tento ohřívač může být používán pouze ve zcela smontovaném stavu a musí stát ve svislé poloze na stabilním povrchu. Obsahuje termostat a tepelnou pojistku s automatickým resetováním pro ovládání topného tělesa, a tím i teploty.

TECHNICKÉ ÚDAJE

Model č.	EH510AC	EH511AC
Napájecí napětí	220–240 V~ 50 Hz	
Jmenovitý výkon	2000W	3000W
Třída ochrany	Třída II	
Nastavení	22W (pouze ventilátor) 1000W / 2000W	7W (pouze ventilátor) 2000W / 3000W
Termostat s automatickým resetem	70°C	65°C
Výhřevná kapacita	20 m ²	30 m ²
Délka napájecího kabelu	1,6 m	
Hmotnost	1,4 kg	1,5 kg

POPIS

Čísla v následujícím textu odkazují na obrázky na stranách 2–3.

1. Rukojeť
2. Topné těleso
3. Vstup vzduchu
4. Výstup vzduchu
5. Kontrolka napájení
6. Ovladač funkce
7. Vypnuto
8. Ventilátor
9. Režim slabého ohřevu
10. Režim silného ohřevu
11. Ovladač termostatu
12. Spínač ochrany pro případ převrácení
13. Napájecí kabel

3. POUŽÍVÁNÍ

Před použitím zkontrolujte, zda není zařízení poškozeno, a použijte pouze zařízení v dobrém stavu.

Při prvním použití elektrického ohříváče vzduchu můžete zaznamenat vznik slabého kouře. Tento jev je zcela normální a po krátké době zmizí. Topné těleso je vyrobeno z nerezové oceli a při výrobě bylo ošetřeno ochranným olejem. Při zahřátí zbytků oleje může dojít ke vzniku kouře.

Umístění elektrického ohříváče (Obr. A)

- Postavte ohříváč vzduchu do svislé polohy na pevný a rovný povrch.
- Mezi přední částí krytu a stěnami nebo hořlavými materiály (nábytek, záclony atd.) zachovejte minimální vzdálenost 1 m a od všech ostatních částí krytu zajistěte minimální vzdálenost 30 cm. Chraňte ohříváč před vlhkem.
- Po dlouhém skladování se vždy ujistěte, že je topné těleso (2) čisté a není na něm usazen prach.



Varování! Dbejte na to, abyste ohříváč vzduchu postavili na bezpečné místo, kde o něj nebo o kabel nebude možné snadno zakopnout. Rovněž umístěte ohříváč na místo, ze kterého nebude moci spadnout.

Zapnutí elektrického ohříváče (Obr. A, B)

- Zapojte napájecí kabel (13) do elektrické zásuvky.
- Nastavte ovladač termostatu (11) do polohy Max.
- Nastavením ovladače funkce (6) do jedné z úrovní výkonu se ohříváč vzduchu zapne.
- Kontrolka napájení (5) se rozsvítí.
- Jakmile teplota v místnosti dosáhne požadované hodnoty, otáčejte pomalu ovladačem termostatu (11) zpět, dokud neuslyšíte cvaknutí a kontrolka napájení (5) nezhasne.
- Ohříváč se nyní bude automaticky zapínat a vypínat, a tímto způsobem bude udržovat stálou teplotu v místnosti. Znamená to, že jakmile teplota klesne, topné těleso a ventilátor se opět zapnou.

Výběr funkce (Obr. B)

Otočením ovladače funkce (6) můžete zvolit některou z funkcí.

- Vypnuté napájení (7)
- Pouze ventilátor (8)
- Režim slabého ohřevu (9)
- Režim silného ohřevu (10)

Spínač ochrany pro případ převrácení (12)

Tento ohříváč je vybaven mechanickou ochranou pro případ převrácení. Tato ochrana zajišťuje, aby u ohříváče, který není umístěn ve svislé poloze na pevném a rovném povrchu a dojde k jeho převrnutí, tento systém ohříváč automaticky vypnul. Dojde-li k takové situaci, postavte tento ohříváč na pevný a rovný povrch a opět jej zapněte.

Automatická ochrana proti přehřátí

Tento ohřívač je vybaven bezpečnostním vnitřním termostatem, který brání přehřátí, a obvodem ochrany proti přehřátí. Pokud je dosaženo potenciální teploty přehřátí, systém automaticky vypne ohřívač vzduchu.

Vypnutí elektrického ohřívače (Obr. A, B)



Před vypnutím nechejte toto zařízení vychladnout pomocí funkce ventilátoru.

- Otočte ovladač termostatu (11) do nejnižší polohy a ovladač funkce otočte do polohy ventilátoru (8).
- Nechejte ventilátor, aby několik minut ochlazoval zařízení.
- Otočte ovladač funkce (6) do vypnuté polohy (7).
- Vytáhněte zástrčku z elektrické zásuvky.

Uložení elektrického ohřívače

- Před uložením tohoto elektrického ohřívače jej vždy nechejte zcela vychladnout.
- Nikdy neomotávejte napájecí kabel okolo tohoto ohřívače



Varování! Nikdy neukládejte toto zařízení ve vlhkém nebo prašném prostředí

4. ÚDRŽBA



Před čištěním a prováděním údržby nářadí vždy vypněte a vypojte zástrčku napájecího kabelu ze síťové zásuvky.

Čištění



Před čištěním nechejte zařízení zcela vychladnout.

- Čistěte tento ohřívač suchým ručníkem nebo vysavačem.
- Za účelem ochrany krytu zabraňte postříkání ohřívače vzduchu vodou a nikdy k jeho čištění nepoužívejte rozpouštědla, jako jsou benzín, izoamyl acetát, toluen atd.
- Při ukládání tohoto elektrického ohřívače jej nejdříve nechejte zcela vychladnout a udržujte jej v suchu.

Odstraňování problémů

V případě, kdy tento elektrický ohřívač nebude pracovat správně, uvádíme některé možné příčiny těchto závad a postupy pro jejich odstranění.

Problém	Možná příčina	Řešení
Ohřívač nepracuje, i když je připojen k elektrické zásuvce a vypínač i termostat jsou zapnuty.	Zástrčka je uvolněná nebo připojení není provedeno správně	Vytáhněte zástrčku a zkontrolujte připojení zástrčky a elektrické zásuvky. Potom ji znovu připojte.
	V zásuvce není napětí	Zasuňte zástrčku do správné zásuvky
	Ochrana před převrácením	Postavte ohřívač na pevný rovný povrch.
Ochrana před přehřátím		Před opětovným zapnutím ohřívače odpojte zástrčku jeho napájecího kabelu od zásuvky a počkejte alespoň 30 minut, než dojde k jeho vychladnutí.
Topné těleso je rozžhaveno	Vstupní napětí je příliš vysoké nebo příliš nízké	Použijte zdroj napájení podle označení na štítku
	Mřížka přívodu vzduchu (3) je blokována	Umístěte ohřívač v dostatečné vzdálenosti od předmětů, jako jsou záclony, plastové sáčky, papír a další předměty, které mohou zakrýt přívod vzduchu nebo se na něj snadno přichytit
Zařízení se nezahřálo, funguje pouze ventilátor	Na zařízení nebylo provedeno nastavení ohřevu	Nastavte přepínač do polohy ohřev
	Aktivoval se termostat	Otáčejte termostatem a poslouchejte, zda uslyšíte zvuk jeho aktivace/deaktivace. Pokud nedochází k žádnému cvaknutí a termostat není poškozen, ohřívač se automaticky zapne, jakmile se ochladí
	Aktivovala se tepelná pojistka s automatickým resetováním	Vypněte ohřívač a zkontrolujte případné zablokování přívodu nebo výstupu vzduchu. Odpojte zástrčku a před opětovným zapnutím ohřívače počkejte nejméně 10 minut, než se ochranný systém resetuje.
Je slyšet abnormální hluk	Zařízení nestojí rovně	Postavte ohřívač vzduchu na rovný povrch

OCHRANA ŽIVOTNÍHO PROSTŘEDÍ



Poškozená a likvidovaná elektrická nebo elektronická zařízení musí být odevzdána ve sběrných dvorech, které jsou určeny pro tento účel.

Pouze pro země EU

Nevyhazujte elektrická nářadí do běžného domácího odpadu. Podle evropské směrnice 2012/19/EU týkající se likvidace elektrických a elektronických zařízení a její implementace do vnitrostátního práva, musí být nepoužívaná elektrická nářadí shromažďována odděleně a jejich likvidace musí být provedena tak, aby nedošlo k ohrožení životního prostředí.

ZÁRUKA

Výrobky VONROC jsou vyvíjeny v souladu s požadavky norem na nejvyšší kvalitu a je zaručeno, že po dobu platné záruky, která začíná běžet dnem původního nákupu, nebudou na těchto výrobcích žádné vady materiálu, ani vady způsobené špatným dílenským zpracováním. Dojde-li během tohoto období k závadě v důsledku vady materiálu nebo dílenského zpracování, kontaktujte přímo firmu VONROC.

Z této záruky jsou vyloučeny následující případy:

- Opravy nebo úpravy tohoto zařízení byly provedeny nebo byly provedeny pokusy o jejich provedení v neautorizovaných službách;
- Běžné opotřebování;
- Toto zařízení bylo nesprávně použito, nevhodně použito nebo nebyla prováděna jeho správná údržba;
- Byly použity neoriginální náhradní díly.

Výše uvedené představuje jedinou záruku poskytnutou společností, ať už výslovnou nebo předpokládanou. Neexistují žádné další záruky, výslovné ani předpokládané, které přesahují rámec zde uvedeného, včetně předpokládaných záruk prodejnosti a vhodnosti pro určitý účel. VONROC v žádném případě neodpovídá za jakékoliv náhodné ani následné škody. Opravné prostředky prodejců se omezují výhradně na opravu nebo výměnu nevhovujících jednotek nebo dílů.

Na tomto výrobku a v tomto návodu mohou být prováděny změny. Specifikace mohou být změněny bez dalšího upozornění.

Identifikátor(y) modelu: EH510AC					
Položka	Symbol	Hodnota	Jednotka	Položka	Jednotka
Tepelný výkon				Typ tepelného příkonu, pouze pro elektrické lokální ohřívače (zvolte jeden)	
Jmenovitý topný výkon	Pnom	2,0	kW	ruční regulace ohřevu, s integrovaným termostatem	Ne
Minimální topný výkon (přibližný)	Pmin	1,0	kW	ruční regulace ohřevu se zpětnou vazbou na pokojovou anebo venkovní teplotu	Ne
Maximální nepřetržitý topný výkon	Pmax,c	2,0	kW	elektronická regulace ohřevu se zpětnou vazbou na pokojovou anebo venkovní teplotu	Ne
Spotřeba elektrické energie				topný výkon s podporou ventilátoru	
Při jmenovitém topném výkonu	elmax	0	kW	Typ regulace tepelného výkonu / pokojové teploty (zvolte jeden)	
Při minimálním topném výkonu	elmin	0	kW	jednostupňová regulace topného výkonu a žádná regulace pokojové teploty	Ne
V pohotovostním režimu	elSB	0	kW	Dvou nebo víceúrovňové ovládání, bez regulace pokojové teploty	Ne
				s mechanickým termostatem pro regulaci pokojové teploty	Ano
				s elektronickou regulací pokojové teploty	Ne
				elektronická regulace pokojové teploty plus denní časový spínač	Ne
				elektronická regulace pokojové teploty plus týdenní časový spínač	Ne
Další možnosti regulace (lze volit více možností)					
				regulace pokojové teploty, s detekcí přítomnosti osob	Ne
				regulace pokojové teploty, s detekcí otevřených oken	Ne
				s volbou dálkového ovládání	Ne
				s adaptivním ovládáním spuštění	Ne
				s omezením pracovní doby	Ne
				s černým čidlem	Ne
Kontakty	VONROC • Lingenstraat 6 • 8028 PM • Zwolle • Nizozemí				

Identifikátor(y) modelu: EH511AC					
Položka	Symbol	Hodnota	Jednotka	Položka	Jednotka
Tepelný výkon				Typ tepelného příkonu, pouze pro elektrické lokální ohřivače (zvolte jeden)	
Jmenovitý topný výkon	P _{nom}	3,0	kW	ruční regulace ohřevu, s integrovaným termostatem	Ne
Minimální topný výkon (přibližný)	P _{min}	2,0	kW	ruční regulace ohřevu se zpětnou vazbou na pokojovou anebo venkovní teplotu	Ne
Maximální nepřetržitý topný výkon	P _{max,c}	3,0	kW	elektronická regulace ohřevu se zpětnou vazbou na pokojovou anebo venkovní teplotu	Ne
Spotřeba elektrické energie				topný výkon s podporou ventilátoru	
Při jmenovitém topném výkonu	e _{lmax}	0	kW	Typ regulace tepelného výkonu / pokojové teploty (zvolte jeden)	
Při minimálním topném výkonu	e _{lmin}	0	kW	jednostupňová regulace topného výkonu a žádná regulace pokojové teploty	Ne
V pohotovostním režimu	e _{lSB}	0	kW	Dvou nebo víceúrovňové ovládání, bez regulace pokojové teploty	Ne
				s mechanickým termostatem pro regulaci pokojové teploty	Ano
				s elektronickou regulací pokojové teploty	Ne
				elektronická regulace pokojové teploty plus denní časový spínač	Ne
				elektronická regulace pokojové teploty plus týdenní časový spínač	Ne
				Další možnosti regulace (lze volit více možností)	
				regulace pokojové teploty, s detekcí přítomnosti osob	Ne
				regulace pokojové teploty, s detekcí otevřených oken	Ne
				s volbou dálkového ovládání	Ne
				s adaptivním ovládáním spuštění	Ne
				s omezením pracovní doby	Ne
				s černým čidlem	Ne
Kontakty	VONROC • Lingenstraat 6 • 8028 PM • Zwolle • Nizozemí				



DECLARATION OF CONFORMITY EH510AC / EH511AC - ELECTRIC PTC FAN HEATER

- (EN) We declare under our sole responsibility that this product is in conformity with directive 2011/65/EU of the European parliament and of the council of 8 June on the restriction of the use of certain hazardous substances in electrical and electronic equipment is in conformity and accordance with the following standards and regulations:
- (DE) Der Hersteller erklärt eigenverantwortlich, dass dieses Produkt der Direktive 2011/65/EU des Europäischen Parlaments und des Rats vom 8. Juni 2011 über die Einschränkung der Anwendung von bestimmten gefährlichen Stoffen in elektrischen und elektronischen Geräten entspricht. den folgenden Standards und Vorschriften entspricht:
- (NL) Wij verklaren onder onze volledige verantwoordelijkheid dat dit product voldoet aan de conform Richtlijn 2011/65/EU van het Europees Parlement en de Raad van 8 juni 2011 betreffende beperking van het gebruik van bepaalde gevaarlijke stoffen in elektrische en elektronische apparatuur en in overeenstemming is met de volgende standaarden en reguleringen:
- (FR) Nous déclarons sous notre seule responsabilité que ce produit est conforme aux standards et directives suivants: est conforme à la Directive 2011/65/EU du Parlement Européen et du Conseil du 8 juin 2011 concernant la limitation d'usage de certaines substances dangereuses dans l'équipement électrique et électronique.
- (ES) Declaramos bajo nuestra exclusiva responsabilidad que este producto cumple con las siguientes normas y estándares de funcionamiento: se encuentra conforme con la Directiva 2011/65/UE del Parlamento Europeo y del Consejo de 8 de junio de 2011 sobre la restricción del uso de determinadas sustancias peligrosas en los equipos eléctricos y electrónicos.
- (IT) Dichiariamo, sotto la nostra responsabilità, che questo prodotto è conforme alle normative e ai regolamenti seguenti: è conforme alla Direttiva 2011/65/UE del Parlamento Europeo e del Consiglio dell'8 giugno 2011 sulla limitazione dell'uso di determinate sostanze pericolose nelle apparecchiature elettriche ed elettroniche.
- (SV) Vi garanterar på eget ansvar att denna produkt uppfyller och följer följande standarder och bestämmelser: uppfyller direktiv 2011/65/EU från Europeiska parlamentet och EG-rådet från den 8 juni 2011 om begränsningen av användning av farliga substanser i elektrisk och elektronisk utrustning.
- (DA) Vi erklærer under eget ansvar, at dette produkt er i overensstemmelse med følgende standarder og bestemmelser: er i overensstemmelse med direktiv 2011/65/EU fra Europa-Parlamentet og Rådet af 8. juni 2011 om begrænsning af anvendelsen af visse farlige stoffer i elektrisk og elektronisk udstyr.
- (PL) Deklarujemy na własną odpowiedzialność, że ten produkt spełnia wymogi zawarte w następujących normach i przepisach: jest zgodny z Dyrektywą 2011/65/UE Parlamentu Europejskiego i Rady z dnia 8 czerwca 2011 r. w sprawie ograniczenia stosowania niektórych niebezpiecznych substancji w sprzęcie elektrycznym i elektronicznym.
- (RO) Declărăm prin aceasta cu răspunderea deplină că produsul acesta este în conformitate cu următoarele standarde sau directive: este în conformitate cu Directiva 2011/65/UE a Parlamentului European și a Consiliului din 8 iunie 2011 cu privire la interzicerea utilizării anumitor substanțe periculoase la echipamentele electrice și electronice.
- (PT) Declaramos por nossa total responsabilidade-de que este produto está em conformidade e cumpre as normas e regulamentações que se seguem: está em conformidade com a Directiva 2011/65/UE do Parlamento Europeu e com o Conselho de 8 de Junho de 2011 no que respeita à restrição de utilização de determinadas substâncias perigosas existentes em equipamento eléctrico e electrónico.
- (HU) Felelősségünk teljes tudatában kijelentjük, hogy ez a termék teljes mértékben megfelel az alábbi szabványoknak és előírásoknak: je v souladu se směrnici 2011/65/EU Evropského parlamentu a Rady EU ze dne 8. června 2011, která se týká omezení použití určitých nebezpečných látek v elektrických a elektronických zařízeních.
- (CS) Na naši vlastní zodpovědnost prohlašujeme, že je tento výrobek v souladu s následujícími standardy a normami: Je v súlade s normou 2011/65/EÚ Európskeho parlamentu a Rady z 8. júna 2011 týkajúcej sa obmedzenia používania určitých nebezpečných látok v elektrickom a elektronickom vybavení.
- (TR) Tek sorumlusu biz olmak üzere bu ürünün Avrupa Parlamentosunun 2011/65/EU ve 8 Haziran 2011 tarihli konseyin elektrikli ve elektronik ekipmanlarda belirlenmiş tehlikeli malzeme kullanımının kısıtlanması hakkındaki talimatları ile birlikte aşağıda belirtilen standart ve yönergelere uygun ve uyumlu olduğunu beyan ederiz:

EN 60335-1, EN 60335-2-30, EN 62233, 2014/35/EU, EN 55014-1, EN 55014-2, EN 61000-3-2, EN 61000-3-3, 2014/30/EU, 2011/65/EU, 2012/19/EU

Zwolle, 01-03-2023

H.G.F Rosberg
CEO

VONROC • Lingenstraat 6 • 8028 PM Zwolle • The Netherlands



VONROC®
BUILD YOUR FUTURE

©2023 VONROC
WWW.VONROC.COM

2303-30