



**VONROC®**

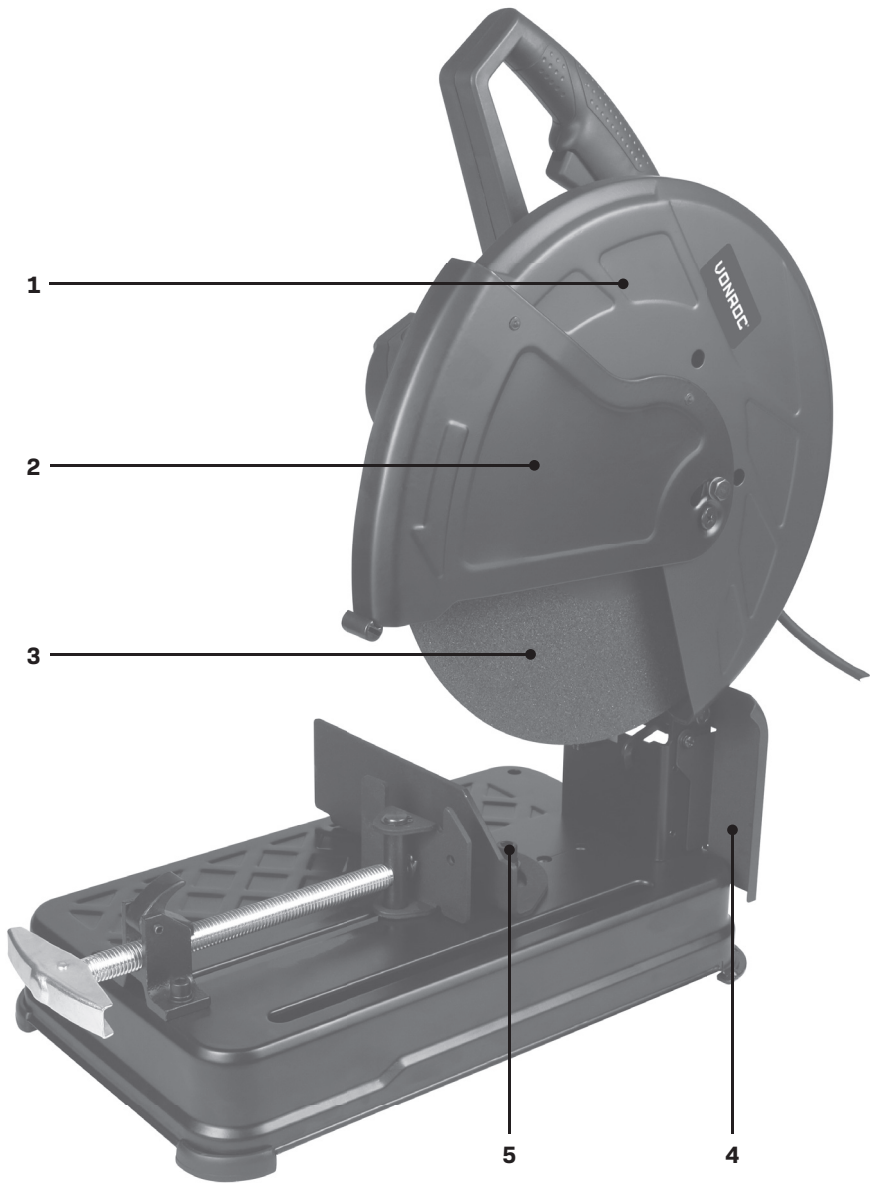
BUILD YOUR FUTURE

## CHOP SAW CS505AC

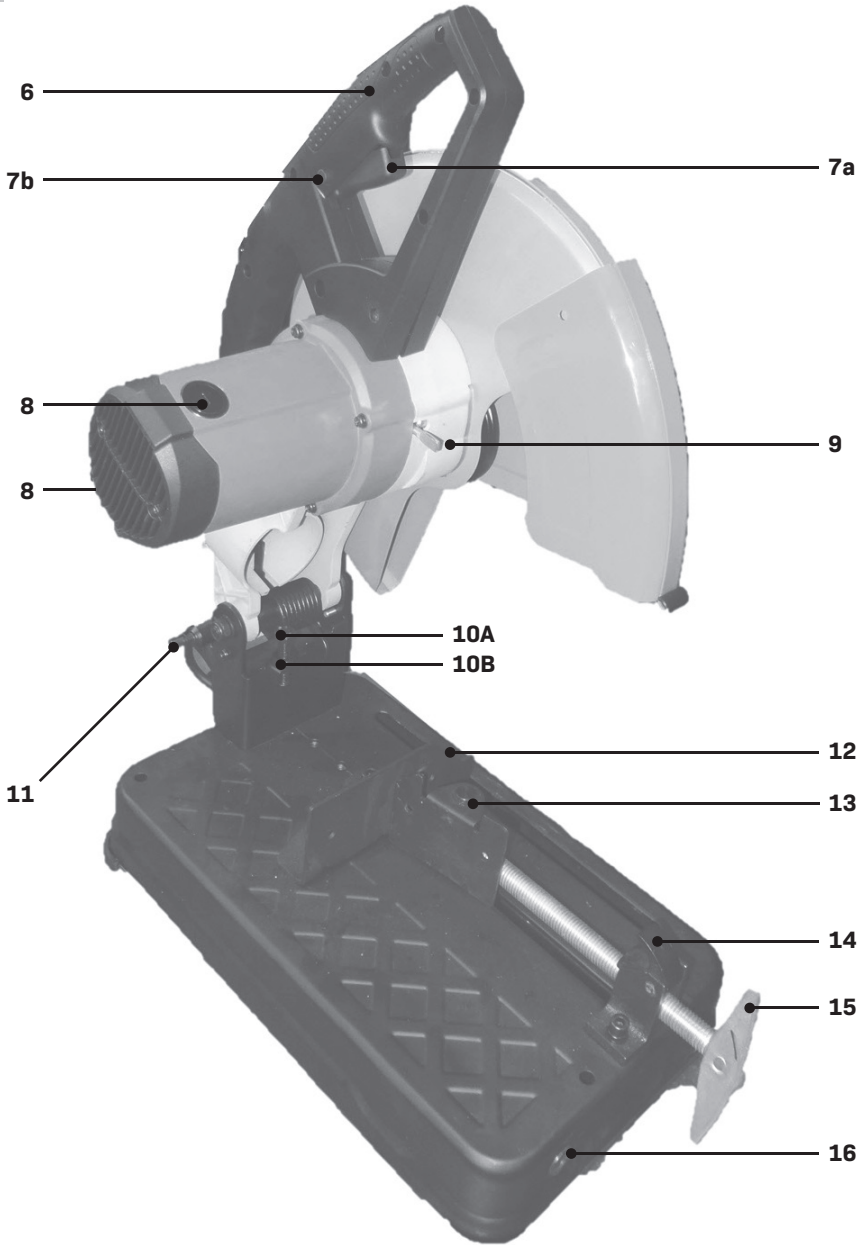


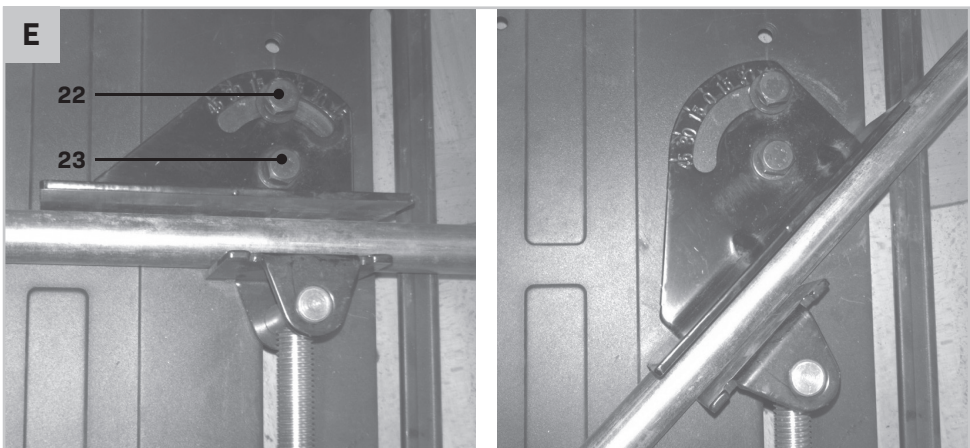
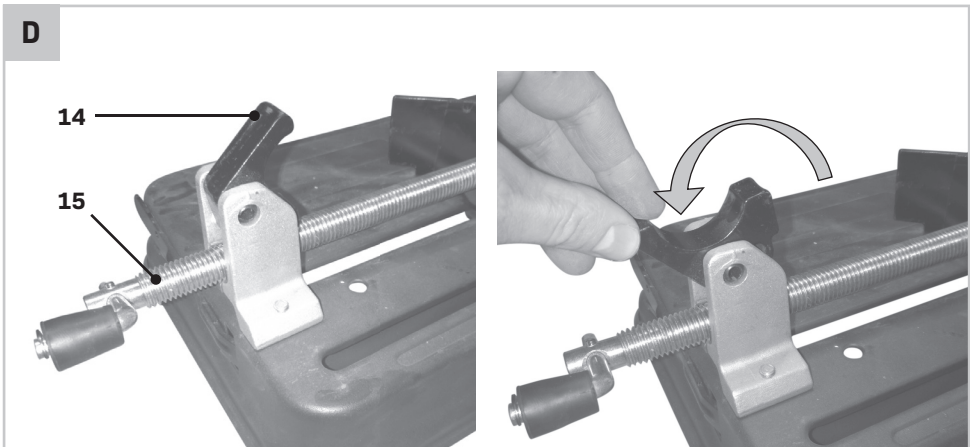
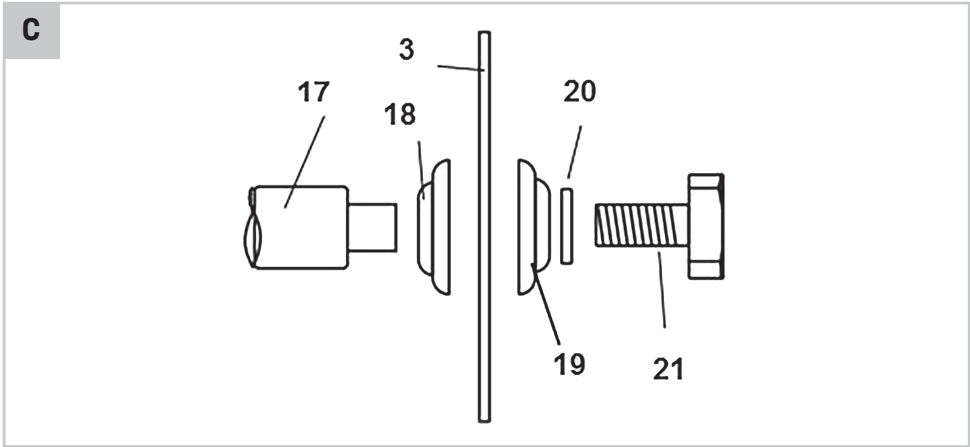
<b>EN</b>	Original Instructions	06
<b>DE</b>	Übersetzung Der Originalbetriebsanleitung	12
<b>NL</b>	Vertaling van de oorspronkelijke gebruiksaanwijzing	19
<b>FR</b>	Traduction de la notice originale	26
<b>ES</b>	Traducción del manual original	33
<b>IT</b>	Traduzione delle istruzioni originali	40
<b>SV</b>	Bruksanvisning i original	47
<b>DA</b>	Oversættelse af den originale brugsanvisning	53
<b>PL</b>	Tłumaczenie instrukcji oryginalnej	59
<b>RO</b>	Traducere a instrucțiunilor originale	66
<b>PT</b>	Tradução do manual original	73
<b>HU</b>	Eredeti használati utasítás fordítása	79
<b>CS</b>	Překlad původního návodu k používání	85

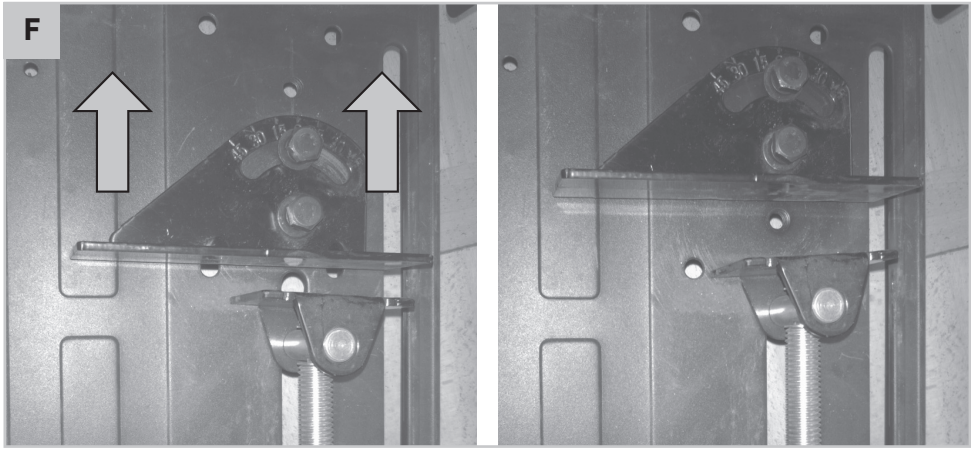
A



**B**







## 1. SAFETY INSTRUCTIONS

Read the enclosed safety warnings, the additional safety warnings and the instructions. Failure to follow the safety warnings and the instructions may result in electric shock, fire and/or serious injury. Save the safety warnings and the instructions for future reference.

The following symbols are used in the user manual or on the product:



*Read the user manual.*



*Denotes risk of personal injury, loss of life or damage to the tool in case of non-observance of the instructions in this manual.*



*Risk of electric shock.*



*Immediately remove the mains plug from the mains if the mains cable becomes damaged and during cleaning and maintenance.*



*Indoor use only.*



*Class II machine - Double insulation - You don't need any earthed plug.*



*Wear eye protection.*



*Wear hearing protection.*



*Wear safety gloves.*



*Risk of flying objects. Keep bystanders away from the work area.*



*Do not dispose of the product in unsuitable containers.*



*The product is in accordance with the applicable safety standards in the European directives.*

### GENERAL POWER TOOL SAFETY WARNINGS



**WARNING! Read all safety warnings and all instructions.** Failure to follow the warnings and instructions may result in electric shock, fire and/or serious injury.

### Save all warnings and instructions for future reference.

The term "power tool" in the warnings refers to your mains-operated (corded) power tool or battery-operated (cordless) power tool.

#### 1) Work area safety

- a) **Keep the work area clean and well lit.** Cluttered or dark areas invite accidents.
- b) **Do not operate power tools in explosive atmospheres, such as in the presence of flammable liquids, gases or dust.** Power tools create sparks which may ignite the dust or fumes.
- c) **Keep children and bystanders away while operating a power tool.** Distractions can cause you to lose control.

#### 2) Electrical safety

- a) **Power tool plugs must match the outlet. Never modify the plug in any way. Do not use any adapter plugs with earthed (grounded) power tools.** Unmodified plugs and matching outlets will reduce risk of electric shock.
- b) **Avoid body contact with earthed or grounded surfaces, such as pipes, radiators, ranges and refrigerators.** There is an increased risk of electric shock if your body is earthed or grounded.
- c) **Do not expose power tools to rain or wet conditions.** Water entering a power tool will increase the risk of electric shock.
- d) **Do not abuse the cord. Never use the cord for carrying, pulling or unplugging the power tool. Keep cord away from heat, oil, sharp edges or moving parts.** Damaged or entangled cords increase the risk of electric shock.
- e) **When operating a power tool outdoors, use an extension cord suitable for outdoor use.** Use of a cord suitable for outdoor use reduces the risk of electric shock.
- f) **If operating a power tool in a damp location is unavoidable, use a residual current device (RCD) protected supply.** Use of an RCD reduces the risk of electric shock.

#### 3) Personal safety

- a) **Stay alert, watch what you are doing and use common sense when operating a power tool. Do not use a power tool while you are tired or under the influence of drugs, alcohol or medication.** A moment of inattention while operating power tools may result in serious personal injury.

- b) **Use personal protective equipment. Always wear eye protection.** Protective equipment such as dust mask, non-skid safety shoes, hard hat, or hearing protection used for appropriate conditions will reduce personal injuries.
  - c) **Prevent unintentional starting. Ensure the switch is in the off-position before connecting to power source and/or battery pack, picking up or carrying the tool.** Carrying power tools with your finger on the switch or energising power tools that have the switch on invites accidents.
  - d) **Remove any adjusting key or wrench before turning the power tool on.** A wrench or a key left attached to a rotating part of the power tool may result in personal injury.
  - e) **Do not overreach. Keep proper footing and balance at all times.** This enables better control of the power tool in unexpected situations.
  - f) **Dress properly. Do not wear loose clothing or jewellery. Keep your hair, clothing and gloves away from moving parts.** Loose clothes, jewellery or long hair can be caught in moving parts.
  - g) **If devices are provided for the connection of dust extraction and collection facilities, ensure these are connected and properly used.** Use of dust collection can reduce dust related hazards.
  - h) **Do not let familiarity gained from frequent use of tools allow you to become complacent and ignore tool safety principles.** A careless action can cause severe injury within a fraction of a second.
- 4) Power tool use and care**
- a) **Do not force the power tool. Use the correct power tool for your application.** The correct power tool will do the job better and safer at the rate for which it was designed.
  - b) **Do not use the power tool if the switch does not turn it on and off.** Any power tool that cannot be controlled with the switch is dangerous and must be repaired.
  - c) **Disconnect the plug from the power source and/or the battery pack from the power tool before making any adjustments, changing accessories, or storing power tools.** Such preventive safety measures reduce the risk of starting the power tool accidentally.
  - d) **Store idle power tools out of the reach of children and do not allow persons unfamiliar with the power tool or these instructions to operate the power tool.** Power tools are dangerous in the hands of untrained users.
  - e) **Maintain power tools. Check for misalignment or binding of moving parts, breakage of parts and any other condition that may affect the power tool's operation. If damaged, have the power tool repaired before use.** Many accidents are caused by poorly maintained power tools.
  - f) **Keep cutting tools sharp and clean.** Properly maintained cutting tools with sharp cutting edges are less likely to bind and are easier to control.
  - g) **Use the power tool, accessories and tool bits etc. in accordance with these instructions, taking into account the working conditions and the work to be performed.** Use of the power tool for operations different from those intended could result in a hazardous situation.
  - h) **Keep handles and grasping surfaces dry, clean and free from oil and grease.** Slippery handles and grasping surfaces do not allow for safe handling and control of the tool in unexpected situations.
- 5) Service**
- a) **Have your power tool serviced by a qualified repair person using only identical replacement parts.** This will ensure that the safety of the power tool is maintained.

#### **SAFETY INSTRUCTIONS FOR CHOP SAWS - CUTTING INSTRUCTIONS**

1. Only ever use the cutting edge (never the side) of the disc for cutting. Avoid putting sideways pressure on the disc, and in particular, making it jam.
2. Keep hands and body away from the disc. Whilst cutting with the machine, do not wear loose clothes which could get caught in it.
3. Treat the disc cutting saw with care, never drop it, always store it in a safe, dry place. Avoid excessive temperatures and humidity.
4. Ensure that all disc flanges and other fitted parts are in good condition and assembled according to instructions. Damaged or missing parts can lead to disc damage. Always use the flanges delivered with the machine.
5. Never work with damaged discs, as these can be dangerous. When changing the disc, first switch off the machine. Rotate the disc by hand and inspect it for unevenness, twists or shearing. If you find any of these, get the disc removed and replace it with a new one. Also replace the disc if it falls to the floor. It may

have become fragile even if you cannot see any ostensible damage.

6. Before you begin cutting, do a test run, i.e. take a step back, switch on the motor and ensure that the disc is functioning correctly. After changing the disc, let the saw run for three minutes; thereafter, before doing any routine work, let it test-run for one minute.
7. Whilst the machine is running, never try to remove a work piece or to clamp a work piece in. Always wait until the disk stops turning completely before removing any work piece or change the settings.
8. Before installing the disc, always inspect the resin and rubber treated disc for shearing.
9. Always cross-check the maximum operating speed of the disc cutting saw with the maximum permitted speed of the motor. Never exceed the maximum permitted operating speed indicated on the disc.
10. Never try to mount a disc onto the machine by force, or to change the size of the axles. Never use discs which do not fit. Only use discs which fit the machine.
11. Do not attempt to attach saw blades to the machine, as it is not designed to cut wood.
12. Do not start cutting until the motor has reached full speed.
13. If, while operating the machine, the disc no longer turns or the motor sounds overloaded, switch off the machine immediately.
14. Keep easily flammable or fragile objects away from the machine. The machine operator must avoid letting his or her hands, face or feet come into contact with the sparks caused when cutting.
15. Position your machine firmly on a flat, even surface.
16. Only operate the machine at the voltage stated on the nameplate.
17. Never touch a sawn-off workpiece, always let it cool down first.
18. Never attempt to cut workpieces which exceed the permitted size.
19. During cutting, never position yourself in the direction of cutting. Always remain to one side.
20. Always leave safety devices installed.
21. Always ensure that you cut slowly and carefully. Avoid applying the disc to the workpiece with a jerky motion.
22. Never push the workpiece towards the disc while holding it in your hands. Always use the

- clamp to fix the workpiece.
23. Keep hands away from the cutting disk. Never cut work pieces where manual support is needed closer than 15cm from the rotating disk.
24. Make sure the work piece is properly supported.
25. Never use cutting fluids. These fluids could ignite or cause electrical shock.
26. Do not cut cast-iron materials.
27. Do not cut plastics, wood or synthetic materials.
28. Do not cut magnesium.

### Electrical safety



*Always check that the voltage of the power supply corresponds to the voltage on the rating plate.*

- Do not use the machine if the mains cable or the mains plug is damaged.
- Only use extension cables that are suitable for the power rating of the machine with a minimum thickness of 1.5 mm<sup>2</sup>. If you use an extension cable reel, always fully unroll the cable.

## 2. MACHINE INFORMATION

### Intended use

The chop saw has been design for cutting steel materials in various shapes.

### TECHNICAL SPECIFICATIONS

Model No.	CS505AC
Mains voltage	220V-240V~
Mains frequency	50/60Hz
Power input	2.300 W
Rated speed	4300/min
Saw blade dimensions	Ø 355mm x Ø 25.4mm
Sound pressure $L_{pA}$	92 dB(A) K=3
Sound capacity $L_{WA}$	105 dB(A) K=3
Vibration $a_{h,AG}$	2.90+1.5 m/s <sup>2</sup>
Weight	15.8kg
Max. cutting capacity at 90°	
- Rectangular	115mm x 125mm
- L shape	135mm x 135mm
- Circular	Ø 125mm



Max. cutting capacity at 45°	
- Rectangular	110mm x 102mm
- L shape	110mm x 110mm
- Circular	Ø 110mm

### Vibration level

The vibration emission level stated in this instruction manual has been measured in accordance with a standardized test given in EN 62841; it may be used to compare one tool with another and as a preliminary assessment of exposure to vibration when using the tool for the applications mentioned.

- Using the tool for different applications, or with different or poorly maintained accessories, may significantly increase the exposure level.
- The times when the tool is switched off or when it is running but not actually doing the job, may significantly reduce the exposure level.

Protect yourself against the effects of vibration by maintaining the tool and its accessories, keeping your hands warm, and organizing your work patterns.

### DESCRIPTION

The numbers in the text refer to the diagrams on pages 2-5.

1. Upper safety guard
2. Movable safety guard
3. Cutting disk
4. Spark deflector
5. Workpiece clamp
6. Handle grip
- 7a. On/Off switch
- 7b. Lock-off button
8. Carbon brush cover
9. Spindle lock button
- 10A. Depth stop bolt
- 10B. Depth stop nut
11. Transport lock pin
12. Workpiece rear clamp
13. Workpiece front clamp
14. Stopper lever
15. Workpiece spindle
16. Disk exchange wrench
17. Machine spindle
18. Big inner washer
19. Big outer washer
20. Small washer
21. Disk bolt

## 3. OPERATION



*Before exchanging blades or adjusting the machine, first remove the power plug from the wall socket.*

### Removing the transport lock (Fig. B)

The machine has a transport lock pin (11) which keeps its position low and makes it easy to transport the device and store it. The lock button blocks the up/down movement of the saw. And must be de-activated before using the saw.

- Remove the transport lock by pushing the machine down a little. While pushing down, the transport lock pin (11) can be pulled out with the other hand.
- After the pin (11) has been pulled out, the machine is able to move up and down freely.

### Activating the transport lock (Fig. B)

- Push the machine down to its lowest position.
- Then push the transport lock pin (11) until it slides in place.

### Adding / removing a cutting disk (Fig. A, B, C)



*Always remove the mains plug before changing disks.*



*When changing disks always check related safety instructions.*

### Removing a cutting disk

- Take the disk wrench (16) from the machine base.
- Removing the disk is easier when the movable safety guard (2) is moved up.
- Press the spindle lock button (9) in order to block the movement of the machine spindle.
- Keep pressing the spindle lock button (9). Place the wrench (16) on the disk bolt and turn it slightly until the button (9) is pushed in to the max and the spindle rotation is blocked.
- Remove the bolt (21), small washer (20), the big outer washer (19).
- Then remove the cutting disk (3).

### Mounting a cutting disk

- In case this has not been done yet, remove the bolt (21) by turning it counterclockwise, then remove small washer (20) and the big outer washer (19).

- Place the cutting disk (3) on the machine spindle.
- First add the big outer washer (19), then the small washer (20) and then the fixing bolt (21) according to fig C. and tighten it by hand until the spindle starts rotating.
- Press the spindle lock button (9) in order to block the movement of the machine spindle.
- Keep pressing the spindle lock button (9). Place the wrench (16) on the disk bolt and turn it slightly in clockwise direction.
- When the spindle lock blocks the rotation, tighten the disk bolt by using the wrench (16).
- Loosen the spindle lock button and ensure the spindle lock button is not blocking the spindle anymore.

Then check if the wheel is assembled correctly:

- Turn the disk (3) by hand a few rounds to check if it is turning freely and if it is aligned well.
- Turn the machine on and let the machine run for at least 3 minutes.

**Switching the machine on/off (Fig. B)**

- To start the machine, press and hold the lock-off button (7b) and press the on/off switch (7a).
- To stop the machine, release the on/off switch (7a).

**The workpiece clamp (5) (Fig. A, B, D)**

- Place the workpiece material between front clamp (13) and rear clamp (12).
- Raise the stopper(14) like shown in Fig. D. and rotate the screw handle (15) forward until the front clamp (13) touches the work piece.
- Then move the stopper (14) down (to lock the spindle) and securely fix the workpiece by turning the screw handle (15).

**Cutting at angles (Fig. E)**

The machine permits cutting at angles from 0° to 45° by adjusting the rear clamp (12).

- Loosen the 2 M10 hexagon socket head bolts (22 & 23) which hold the rear clamp (12) until the vice can move.
- Then set the rear clamp (12). to the correct angle and tighten both bolts (22 & 23) again.

**Moving the rear vice (to cut bigger work pieces) (Fig. F)**

The vice permits a maximum workpiece size of 160mm when shipped from the factory. The vice can be adjusted in to the rear to permit workpiece size of 195 mm like shown in the right picture (fig. F).

- Loosen the 2 M10 hexagon bolts (22 & 23) on the rear clamp (12) completely.
- Move the clamp (12) backwards and fix the bolts (22 & 23) to the rear connection holes again.

**Adjusting the depth stop (Fig. B)**

The machine is equipped with a depth stop bolt, with this bolt the maximum cutting depth can be adjusted.

- If the depth cutting depth needs to be adjusted, loosen the lower nut (10B), then adjust the depth setting by turning the upper bolt (10A) to the desired positions.
- Then fix the lower nut (10B) again.

**Cutting procedure**

In order to cut material always follow the following procedure:

- Make sure the workpiece is clamped and supported well before starting the machine.
- Start the machine in upper position let it run for a while until it reaches max. speed.
- Ensure the blade is turning freely without vibration.
- Gently move down the machine until it touches the material.
- Keep pushing the handle with little force, make sure the blade speed is not dropping.
- Release the on/off switch after cutting and move the machine up gently.
- Only remove the workpiece when the cutting disk has stopped running completely.



*Don't apply excessive force on the handle when cutting, the blade and machine will wear out faster and it does not result in faster cutting.*

**Inspecting and replacing the carbon brushes**

The motor has 2 carbon brushes which will wear out during use. It's important to check the status of the carbon brushes, a worn-out carbon brush might result in bad performance and motor damage.

Removing carbon brushes (Fig. B)

- Ensure the mains plug is removed from the wall socket.
- Remove the carbon brush cover (8).
- Remove the carbon brushes by gently pulling the spring.
- Check wear on the brush block, when less than 6mm is left the carbon brush is worn out and needs to be replaced immediately.
- Repeat on the other side.

Inserting carbon brushes again (Fig. B)

- Ensure the mains plug is removed from the wall socket.
- Insert the carbon brushes and push the spring back in place.
- Add the carbon brush cover (8) while keeping the spring pushed, and turn the cover clockwise.
- After both carbon brushes are re-installed, test if machine is running smoothly without sparks.



*Always replace both carbon brushes.*

## 4. MAINTENANCE



*Always disconnect the machine from the main power supply before carrying out any maintenance work.*

Clean the machine casings regularly with a soft cloth, preferably after each use. Make sure that the ventilation openings are free of dust and dirt. Remove very persistent dirt using a soft cloth moistened with soapsuds. Do not use any solvents such as gasoline, alcohol, ammonia, etc. Chemicals such as these will damage the synthetic components.

## ENVIRONMENT



*Faulty and/or discarded electrical or electronic apparatus have to be collected at the appropriate recycling locations.*

### Only for EC countries

Do not dispose of power tools into domestic waste. According to the European Guideline 2012/19/EC for Waste Electrical and Electronic Equipment and its implementation into national right, power tools that are no longer usable must be collected separately and disposed of in an environmentally friendly way.

## WARRANTY

VONROC products are developed to the highest quality standards and are guaranteed free of defects in both materials and workmanship for the period lawfully stipulated starting from the date of original purchase. Should the product develop any failure during this period due to defective material and/or workmanship then contact VONROC directly.

The following circumstances are excluded from this guarantee:

- Repairs and or alterations have been made or attempted to the machine by unauthorized service centers;
- Normal wear and tear;
- The tool has been abused, misused or improperly maintained;
- Non-original spare parts have been used.

This constitutes the sole warranty made by company either expressed or implied. There are no other warranties expressed or implied which extend beyond the face hereof, herein, including the implied warranties of merchantability and fitness for a particular purpose. In no event shall VONROC be liable for any incidental or consequential damages. The dealers remedies shall be limited to repair or replacement of nonconforming units or parts.

**The product and the user manual are subject to change. Specifications can be changed without further notice.**

## 1. SICHERHEITSANWEISUNGEN

Lesen Sie die beiliegenden Sicherheitsanweisungen, die zusätzlichen Sicherheitsanweisungen sowie diese Bedienungsanleitung sorgfältig durch. Bei Nichtbeachten der Sicherheitsanweisungen und der Bedienungsanleitung kann es zu einem Stromschlag, einem Brand und/oder schweren Verletzungen kommen. Bewahren Sie die Sicherheitsanweisungen und die Bedienungsanleitung zur künftigen Bezugnahme sicher auf.

Folgende Symbole werden im Benutzerhandbuch oder auf dem Produkt verwendet:



*Lesen Sie das Benutzerhandbuch.*



*Bedeutet, dass bei Nichtbeachtung der Anweisungen in dieser Anleitung Verletzungen, Tod oder Beschädigung des Werkzeugs die Folge sein können.*



*Stromschlagrisiko.*



*Ziehen Sie sofort den Netzstecker aus der Steckdose, falls das Netzkabel beschädigt wird sowie bei der Reinigung und Wartung.*



*Nur zur Benutzung in Innenräumen.*



*Werkzeug/Gerät der Schutzklasse II - Schutzisoliert - kein Schutzkontaktanschluss erforderlich.*



*Schutzbrille tragen.*



*Gehörschutz tragen.*



*Tragen Sie Schutzhandschuhe.*



*Gefahr von herumfliegenden Gegenständen. Halten Sie Unbeteiligte vom Arbeitsbereich fern.*



*Entsorgen Sie das Produkt nicht in hierfür nicht vorgesehenen Abfallbehältern.*



*Das Produkt entspricht den geltenden Sicherheitsstandards in den europäischen Richtlinien.*

## ALLGEMEINE SICHERHEITSHINWEISE



**WARNUNG! Lesen Sie alle Sicherheitshinweise, Anweisungen, Bebilderungen und technischen Daten, mit denen dieses Elektrowerkzeug versehen ist. Versäumnisse bei der Einhaltung der nachfolgenden Anweisungen können elektrischen Schlag, Brand und/oder schwere Verletzungen verursachen.**

### Bewahren Sie alle Sicherheitshinweise und Anweisungen für die Zukunft auf.

Der in den Sicherheitshinweisen verwendete Begriff „Elektrowerkzeug“ bezieht sich auf netzbetriebene Elektrowerkzeuge (mit Netzleitung) oder auf akkubetriebene Elektrowerkzeuge (ohne Netzleitung).

#### 1) Arbeitsplatzsicherheit

- a) **Halten Sie Ihren Arbeitsbereich sauber und gut beleuchtet.** Unordnung oder unbeleuchtete Arbeitsbereiche können zu Unfällen führen.
- b) **Arbeiten Sie mit dem Elektrowerkzeug nicht in explosionsgefährdeter Umgebung, in der sich brennbare Flüssigkeiten, Gase oder Stäube befinden.** Elektrowerkzeuge erzeugen Funken, die den Staub oder die Dämpfe entzünden können.
- c) **Halten Sie Kinder und andere Personen während der Benutzung des Elektrowerkzeugs fern.** Bei Ablenkung können Sie die Kontrolle über das Elektrowerkzeug verlieren.

#### 2) Elektrische Sicherheit

- a) **Der Anschlussstecker des Elektrowerkzeugs muss in die Steckdose passen. Der Stecker darf in keiner Weise verändert werden. Verwenden Sie keine Adapterstecker gemeinsam mit Schutzgeerdeten Elektrowerkzeugen.** Unveränderte Stecker und passende Steckdosen verringern das Risiko eines elektrischen Schlages.
- b) **Vermeiden Sie Körperkontakt mit geerdeten Oberflächen wie von Rohren, Heizungen, Herden und Kühlschränken.** Es besteht ein erhöhtes Risiko durch elektrischen Schlag, wenn Ihr Körper geerdet ist.
- c) **Halten Sie Elektrowerkzeuge von Regen oder Nässe fern.** Das Eindringen von Wasser in ein Elektrowerkzeug erhöht das Risiko eines elektrischen Schlages.
- d) **Zweckentfremden Sie die Anschlussleitung nicht, um das Elektrowerkzeug zu tragen, aufzuhängen oder um den Stecker aus der**

- Steckdose zu ziehen. Halten Sie die Anschlussleitung fern von Hitze, Öl, scharfen Kanten oder sich bewegenden Teilen.** Beschädigte oder verwickelte Anschlussleitungen erhöhen das Risiko eines elektrischen Schlages.
- e) **Wenn Sie mit einem Elektrowerkzeug im Freien arbeiten, verwenden Sie nur Verlängerungsleitungen, die auch für den Außenbereich geeignet sind.** Die Anwendung einer für den Außenbereich geeigneten Verlängerungsleitung verringert das Risiko eines elektrischen Schlages.
- f) **Wenn der Betrieb des Elektrowerkzeugs in feuchter Umgebung nicht vermeidbar ist, verwenden Sie einen Fehlerstromschutzschalter.** Der Einsatz eines Fehlerstromschutzschalters vermindert das Risiko eines elektrischen Schlages.
- 3) Sicherheit von Personen**
- a) **Seien Sie aufmerksam, achten Sie darauf, was Sie tun, und gehen Sie mit Vernunft an die Arbeit mit einem Elektrowerkzeug. Benutzen Sie kein Elektrowerkzeug, wenn Sie müde sind oder unter dem Einfluss von Drogen, Alkohol oder Medikamenten stehen.** Ein Moment der Unachtsamkeit beim Gebrauch des Elektrowerkzeugs kann zu ernsthaften Verletzungen führen.
- b) **Tragen Sie persönliche Schutzausrüstung und immer eine Schutzbrille.** Das Tragen persönlicher Schutzausrüstung, wie Staubmaske, rutschfeste Sicherheitsschuhe, Schutzhelm oder Gehörschutz, je nach Art und Einsatz des Elektrowerkzeugs, verringert das Risiko von Verletzungen.
- c) **Vermeiden Sie eine unbeabsichtigte Inbetriebnahme. Vergewissern Sie sich, dass das Elektrowerkzeug ausgeschaltet ist, bevor Sie es an die Stromversorgung und/oder den Akku anschließen, es aufnehmen oder tragen.** Wenn Sie beim Tragen des Elektrowerkzeugs den Finger am Schalter haben oder das Elektrowerkzeug eingeschaltet an die Stromversorgung anschließen, kann dies zu Unfällen führen.
- d) **Entfernen Sie Einstellwerkzeuge oder Schraubenschlüssel, bevor Sie das Elektrowerkzeug einschalten.** Ein Werkzeug oder Schlüssel, der sich in einem drehenden Teil des Elektrowerkzeugs befindet, kann zu Verletzungen führen.
- e) **Vermeiden Sie eine abnormale Körperhaltung. Sorgen Sie für einen sicheren Stand und halten Sie jederzeit das Gleichgewicht.** Dadurch können Sie das Elektrowerkzeug in unerwarteten Situationen besser kontrollieren.
- f) **Tragen Sie geeignete Kleidung. Tragen Sie keine weite Kleidung oder Schmuck. Halten Sie Haare und Kleidung fern von sich bewegenden Teilen.** Lockere Kleidung, Schmuck oder lange Haare können von sich bewegenden Teilen erfasst werden.
- g) **Wenn Staubabsaug- und -auffangeinrichtungen montiert werden können, sind diese anzuschließen und richtig zu verwenden.** Verwendung einer Staubabsaugung kann Gefährdungen durch Staub verringern.
- h) **Wiegen Sie sich nicht in falscher Sicherheit und setzen Sie sich nicht über die Sicherheitsregeln für Elektrowerkzeuge hinweg, auch wenn Sie nach vielfachem Gebrauch mit dem Elektrowerkzeug vertraut sind.** Achtloses Handeln kann binnen Sekundenbruchteilen zu schweren Verletzungen führen.
- 4) Verwendung und Behandlung des Elektrowerkzeugs**
- a) **Überlasten Sie das Elektrowerkzeug nicht. Verwenden Sie für Ihre Arbeit das dafür bestimmte Elektrowerkzeug.** Mit dem passenden Elektrowerkzeug arbeiten Sie besser und sicherer im angegebenen Leistungsbereich.
- b) **Benutzen Sie kein Elektrowerkzeug, dessen Schalter defekt ist.** Ein Elektrowerkzeug, das sich nicht mehr ein- oder ausschalten lässt, ist gefährlich und muss repariert werden.
- c) **Ziehen Sie den Stecker aus der Steckdose und/oder entfernen Sie einen abnehmbaren Akku, bevor Sie Geräteeinstellungen vornehmen, Einsatzwerkzeugteile wechseln oder das Elektrowerkzeug weglegen.** Diese Vorsichtsmaßnahme verhindert den unbeabsichtigten Start des Elektrowerkzeugs.
- d) **Bewahren Sie unbenutzte Elektrowerkzeuge außerhalb der Reichweite von Kindern auf. Lassen Sie keine Personen das Elektrowerkzeug benutzen, die mit diesem nicht vertraut sind oder diese Anweisungen nicht gelesen haben.** Elektrowerkzeuge sind gefährlich, wenn sie von unerfahrenen Personen benutzt werden.
- e) **Pflegen Sie Elektrowerkzeuge und Einsatzwerkzeug mit Sorgfalt. Kontrollieren Sie, ob bewegliche Teile einwandfrei funktionieren und nicht klemmen, ob Teile gebrochen oder so beschädigt sind, dass die Funktion des Elektrowerkzeugs beeinträchtigt ist. Lassen Sie beschädigte Teile vor dem Einsatz des Elektrowerkzeuges**

**reparieren.** Viele Unfälle haben ihre Ursache in schlecht gewarteten Elektrowerkzeugen.

- f) **Halten Sie Schneidwerkzeuge scharf und sauber.** Sorgfältig gepflegte Schneidwerkzeuge mit scharfen Schneidkanten verklemmen sich weniger und sind leichter zu führen.
- g) **Verwenden Sie Elektrowerkzeug, Zubehör, Einsatzwerkzeuge usw. entsprechend diesen Anweisungen. Berücksichtigen Sie dabei die Arbeitsbedingungen und die auszuführende Tätigkeit.** Der Gebrauch von Elektrowerkzeugen für andere als die vorgesehenen Anwendungen kann zu gefährlichen Situationen führen.
- h) **Halten Sie Griffe und Griffflächen trocken, sauber und frei von Öl und Fett.** Rutschige Griffe und Griffflächen erlauben keine sichere Bedienung und Kontrolle des Elektrowerkzeugs in unvorhergesehenen Situationen.

## 5) Service

- a) **Lassen Sie Ihr Elektrowerkzeug nur von qualifiziertem Fachpersonal und nur mit Original-Ersatzteilen reparieren.** Damit wird sichergestellt, dass die Sicherheit des Elektrowerkzeugs erhalten bleibt.

## SICHERHEITSHINWEISE FÜR KAPPSÄGEN – SÄGEANLEITUNG

1. Verwenden Sie immer nur die Schneidkante (niemals die Seite) der Scheibe zum Schneiden. Üben Sie keinen seitlichen Druck auf die Scheibe aus und verhindern Sie insbesondere, dass sie steckenbleibt.
2. Halten Sie Hände und Körper von der Scheibe fern. Beim Schneiden mit der Maschine keine losen Kleidungsstücke tragen, die sich darin verfangen könnten.
3. Behandeln Sie die Trennscheibensäge sorgfältig, lassen Sie sie nicht fallen und bewahren Sie sie immer an einem sicheren, trockenen Ort auf. Vermeiden Sie übermäßige Temperaturen und Feuchtigkeit.
4. Stellen Sie sicher, dass alle Scheibenflansche und andere Einbauteile in gutem Zustand und gemäß den Anweisungen montiert sind. Beschädigte oder fehlende Teile können zu Schäden an der Trennscheibe führen. Verwenden Sie immer die mit der Maschine gelieferten Flansche.
5. Arbeiten Sie aus Sicherheitsgründen nie mit beschädigten Trennscheiben. Wenn Sie die Trennscheibe austauschen, schalten Sie zuerst die Maschine aus. Drehen Sie die Trennscheibe von Hand und prüfen Sie sie auf unruhigen Lauf, Drall oder ähnliches. Wenn solche Symptome auftreten, ersetzen Sie die Scheibe durch eine neue. Ersetzen Sie die Scheibe auch, wenn sie auf den Boden gefallen ist. Sie kann zerbrechlich geworden sein, auch wenn keine Schäden erkennbar sind.
6. Bevor Sie mit dem Schneiden beginnen, machen Sie einen Testlauf, d.h. treten Sie einen Schritt zurück, schalten Sie den Motor ein und achten Sie darauf, dass die Scheibe ordnungsgemäß läuft. Nach einem Austausch der Trennscheibe lassen Sie die Säge drei Minuten lang laufen; danach sollte sie vor jeglichen routinemäßigen Arbeiten immer zunächst eine Minute lang laufen gelassen werden.
7. Während die Maschine läuft, darf keinesfalls versucht werden, ein Werkstück zu entfernen oder einzuspannen. Warten Sie immer, bis die Scheibe ganz ausgelaufen ist, bevor Sie ein Werkstück entfernen oder Einstellungen ändern.
8. Bevor Sie die Trennscheibe einsetzen, prüfen Sie die mit Harz und Gummi behandelte Scheibe immer auf Scherbewegungen.
9. Vergleichen Sie immer die maximale Betriebsgeschwindigkeit der Trennscheibensäge mit der maximal zulässigen Drehzahl des Motors. Überschreiten Sie niemals die maximal zulässige Betriebsgeschwindigkeit, die auf der Trennscheibe angegeben ist.
10. Versuchen Sie niemals, eine Trennscheibe mit Gewalt an der Maschine anzubringen oder die Größe der Achsen zu verändern. Verwenden Sie niemals Scheiben, die nicht richtig passen. Verwenden Sie nur Scheiben, die für das Gerät ausgelegt sind.
11. Versuchen Sie nicht, Sägeblätter an der Maschine anzubringen, da sie nicht zum Sägen von Holz entwickelt wurde.
12. Beginnen Sie den Schneidvorgang erst, wenn der Motor die volle Geschwindigkeit erreicht hat.
13. Wenn sich die Scheibe beim Betätigen der Maschine nicht mehr dreht oder der Motor überlastet ist, schalten Sie die Maschine sofort aus.
14. Halten Sie leicht entflammbare oder zerbrechliche Gegenstände von der Maschine fern. Der Maschinenbediener muss vermeiden, dass seine Hände, Gesicht oder Füße mit den beim Schneiden verursachten Funken in Berührung kommen.

15. Positionieren Sie Ihre Maschine fest auf einer ebenen Oberfläche.
16. Betreiben Sie das Gerät nur mit der auf dem Typenschild angegebenen Spannung.
17. Berühren Sie niemals ein abgeschnittenes Werkstück sofort, sondern lassen Sie es erst abkühlen.
18. Versuchen Sie niemals, Werkstücke zu schneiden, welche die zulässige Größe überschreiten.
19. Stellen Sie sich beim Schneiden niemals in die Schneidrichtung. Bleiben Sie immer auf einer Seite.
20. Lassen Sie immer alle Sicherheitseinrichtungen angebracht.
21. Achten Sie immer darauf, dass Sie langsam und sorgfältig schneiden. Vermeiden Sie es, die Trennscheibe mit einer ruckartigen Bewegung auf das Werkstück aufzusetzen.
22. Schieben Sie das Werkstück niemals auf die Trennscheibe, während Sie es in den Händen halten. Verwenden Sie immer die Klemme, um das Werkstück zu fixieren.
23. Halten Sie die Hände von der Trennscheibe fern. Schneiden Sie niemals Werkstücke, die weniger als 15cm von der rotierenden Scheibe entfernt von Hand abgestützt werden müssen.
24. Stellen Sie sicher, dass das Werkstück ordnungsgemäß abgestützt wird.
25. Niemals Schneidflüssigkeiten verwenden. Diese Flüssigkeiten können sich entzünden oder einen elektrischen Schlag verursachen
26. Schneiden Sie keine gusseisernen Materialien.
27. Schneiden Sie keine Kunststoffe, Holz oder Synthetikmaterialien.
28. Kein Magnesium schneiden.

**Elektrische Sicherheit**



*Achten Sie stets darauf, dass die Spannung der Stromversorgung mit der Spannung auf dem Typenschild übereinstimmt.*

- Verwenden Sie die Maschine nicht, wenn das Netzkabel oder der Netzstecker beschädigt ist.
- Verwenden Sie nur Verlängerungskabel, die für die Leistungsaufnahme der Maschine geeignet sind und eine Mindestaderstärke von 1.5 mm<sup>2</sup> haben. Falls Sie eine Kabeltrommel verwenden, rollen Sie das Kabel immer vollständig ab.

**2. ANGABEN ZUM WERKZEUG**

**Verwendungszweck**

Die Kettensäge wurde für das Schneiden von Stahlwerkstoffen in verschiedenen Formen entworfen.

**TECHNISCHE DATEN**

Modellnummer	CS505AC
Netzspannung	220V-240V~
Netzfrequenz	50/60Hz
Leistungsaufnahme	2.300 W
Nenn Drehzahl	4300/min
Abmessung Sägeblatt	Ø 355mm x Ø 25.4mm
Schalldruck L <sub>PA</sub>	92 dB(A) K=3
Schalleistung L <sub>WA</sub>	105 dB(A) K=3
Vibrationen a <sub>h,AG</sub>	2.90+1.5 m/s <sup>2</sup>
Gewicht	15.8kg
Max. Schneidleistung bei 90°	115mm x 125mm 135mm x 135mm Ø 125mm
- Rechteckig	
- L-Form	
- Rund	
Max. Schneidleistung bei 45°	110mm x 102mm 110mm x 110mm Ø 110mm
- Rechteckig	
- L-Form	
- Rund	

**Vibrationsintensität**

Die in dieser Bedienungsanleitung angegebene Vibrationsintensität wurde mit einem standardisierten Test gemäß EN 62841; gemessen. Anhand dieser Größe können Werkzeuge miteinander verglichen werden. Außerdem eignet sich diese Größe für eine erste Beurteilung der Vibrationsbelastung bei Verwendung des Werkzeugs für die angegebenen Anwendungszwecke.

- Bei Verwendung des Werkzeugs für andere Anwendungen oder mit anderem oder unzureichend gewartetem Zubehör kann sich die Vibrationsbelastung erheblich erhöhen.
- Wenn das Werkzeug ausgeschaltet ist, oder wenn es eingeschaltet ist, jedoch nicht genutzt wird, kann sich die Vibrationsbelastung erheblich verringern.

Schützen Sie sich vor den Auswirkungen der Vibration durch Wartung des Werkzeugs und des Zubehörs, halten Sie Ihre Hände warm, und organisieren Sie Ihren Arbeitsablauf.

## BESCHREIBUNG

Die Zahlen im Text beziehen sich auf die Abbildungen auf den Seiten 2-5.

1. Obere Schutzvorrichtung
2. Bewegliche Schutzvorrichtung
3. Trennscheibe
4. Funkendeflektor
5. Werkstückklemme
6. Handgriff
- 7a. Ein-/Ausschalter
- 7b. Lock-Off-Taste
8. Kohlebürstenabdeckung
9. Spindelverriegelungstaste
- 10A. Tiefenanschlagschraube
- 10B. Tiefenanschlagmutter
11. Transportsicherungsstift
12. Hintere Werkstückklemme
13. Vordere Werkstückklemme
14. Anschlaghebel
15. Werkstückspindel
16. Scheibenaustauschschlüssel
17. Maschinenspindel
18. Große innere Unterlegscheibe
19. Große äußere Unterlegscheibe
20. Kleine Unterlegscheibe
21. Trennscheibenschraube

## 3. BETRIEB



*Vor dem Austauschen von Klingen oder Justieren der Maschine ist zunächst der Stromstecker aus der Steckdose zu ziehen.*

### Entfernen der Transportsicherung (Abb. B)

Die Maschine verfügt über einen Transportsicherungsstift (11), der sie in einer niedrigen Position hält und Transport sowie Lagerung vereinfacht. Die Sicherheitstaste blockiert die Auf-/Abbewegung der Säge. Sie muss vor der Verwendung der Säge deaktiviert werden.

- Transportsicherung entfernen, indem die Maschine etwas heruntergedrückt wird. Beim Herunterdrücken kann der Transportsicherungsstift (11) mit der anderen Hand herausgezogen werden.
- Nachdem der Stift (11) herausgezogen wurde, lässt sich die Maschine frei nach oben und unten bewegen.

### Aktivieren der Transportsicherung (Abb. B)

- Maschine auf die niedrigste Position schieben.
- Dann den Transportsicherungsstift (11) drücken, bis er einrastet.

### Anbringen / Entfernen einer Trennscheibe

#### (Abb. A, B, C)



*Vor dem Austauschen von Trennscheiben immer den Netzstecker ziehen.*



*Beim Austauschen von Trennscheiben immer die entsprechenden Sicherheitshinweise beachten.*

#### Entfernen einer Trennscheibe

- Den Scheibenschlüssel (16) vom Unterteil der Maschine nehmen.
- Das Entfernen der Scheibe ist einfacher, wenn die bewegliche Schutzvorrichtung (2) nach oben bewegt wird.
- Auf die Spindelverriegelungstaste (9) drücken, um die Bewegung der Maschinenspindel zu blockieren.
- Die Spindelverriegelungstaste (9) gedrückt halten. Den Schraubenschlüssel (16) auf die Trennscheibenschraube aufsetzen und ihn etwas drehen, bis der Knopf (9) vollständig eingedrückt ist und die Spindeldrehung blockiert wird.
- Die Schraube (21), die kleine Unterlegscheibe (20) und die große äußere Unterlegscheibe (19) entfernen.
- Dann die Trennscheibe (3) entfernen.

#### Montage einer Trennscheibe

- Falls dies noch nicht geschehen ist, entfernen Sie die Schraube (21), indem Sie sie gegen den Uhrzeigersinn drehen, dann die kleine Unterlegscheibe (20) und die große äußere Unterlegscheibe entfernen (19).
- Die Trennscheibe (3) auf die Maschinenspindel aufsetzen.
- Zuerst die große äußere Unterlegscheibe (19), dann die kleine Unterlegscheibe (20) und dann die Befestigungsschraube (21) gemäß Abb. C anbringen und von Hand anziehen, bis die Spindel sich zu drehen beginnt.
- Auf die Spindelverriegelungstaste (9) drücken, um die Bewegung der Maschinenspindel zu blockieren.



- Die Spindelverriegelungstaste (9) gedrückt halten. Den Schraubenschlüssel (16) auf die Trennscheibenschraube aufsetzen und etwas im Uhrzeigersinn drehen.
- Wenn die Spindelverriegelung die Drehung blockiert, die Trennscheibenschraube mit dem Schraubenschlüssel (16) festziehen.
- Die Spindelverriegelungstaste lösen und sicherstellen, dass sie die Spindel nicht mehr blockiert.

Dann überprüfen, ob die Scheibe korrekt montiert ist:

- Die Scheibe (3) ein paar Runden mit der Hand drehen, um zu überprüfen, ob sie sich frei dreht und ob sie korrekt ausgerichtet ist.
- Die Maschine einschalten und mindestens 3 Minuten laufen lassen.

#### **Ein-/Ausschalten der Maschine (Abb. B)**

- Um die Maschine zu starten, halten Sie die Lock-Off-Taste (7b) gedrückt und drücken den Ein-/Ausschalter (7a).
- Um die Maschine anzuhalten, lassen Sie den Ein-/Ausschalter (7a) los.

#### **Die Werkstückklemme (5) (Abb. A, B, D)**

- Das Werkstückmaterial zwischen die vordere Klemme (13) und die hintere Klemme (12) legen.
- Den Anschlag (14) wie in Abb. D anheben und den Schraubgriff (15) nach vorne drehen, bis die vordere Klemme (13) das Werkstück berührt.
- Dann den Anschlag (14) nach unten bewegen (um die Spindel zu verriegeln) und das Werkstück durch Drehen des Schraubgriffs (15) befestigen.

#### **Schneiden in Winkeln (Abb. E)**

Die Maschine erlaubt durch Einstellen der hinteren Klemme (12) das Schneiden von Winkeln von 0° bis 45°.

- Lösen Sie die 2 M10-Innensechskantschrauben (22 & 23), welche die hintere Klemme (12) halten, bis sich der Schraubstock bewegen kann.
- Dann die hintere Klemme (12) auf den richtigen Winkel einstellen und beide Schrauben (22 & 23) wieder festziehen.

#### **Verstellen des hinteren Schraubstocks (zum Schneiden größerer Werkstücke) (Abb. F)**

Der Schraubstock erlaubt bei Auslieferung ab Werk eine maximale Werkstückgröße von 160 mm. Der Schraubstock kann nach hinten verstellt werden, um eine Werkstückgröße von 195 mm zu ermöglichen, wie in der rechten Abbildung dargestellt (Abb. F).

- Die 2 M10-Sechskantschrauben (22 & 23) an der hinteren Klemme (12) vollständig lösen.
- Die Klemme (12) nach hinten schieben und die Schrauben (22 & 23) wieder an den hinteren Verbindungslöchern befestigen.

#### **Einstellen des Tiefenanschlags (Abb. B)**

Die Maschine ist mit einer Tiefenanschlagschraube ausgestattet, mit der die maximale Schnitttiefe eingestellt werden kann.

- Zum Einstellen der Schneidtiefe die untere Mutter (10B) lösen und dann die Tiefeneinstellung anpassen, indem die obere Schraube (10A) in die gewünschte Position gedreht wird.
- Dann die untere Mutter (10B) wieder festziehen.

#### **Schneidverfahren**

Zum Schneiden des Materials bitte immer wie folgt vorgehen:

- Sicherstellen, dass das Werkstück vor dem Starten der Maschine eingespannt und abgestützt wurde.
- Maschine in der oberen Position starten und eine Weile laufen lassen, bis die maximale Drehzahl erreicht ist.
- Sicherstellen, dass sich die Klinge ohne Vibration frei dreht.
- Maschine vorsichtig nach unten schieben, bis sie das Material berührt.
- Griff mit wenig Kraft weiterschieben, dabei sicherstellen, dass die Klingengeschwindigkeit nicht abnimmt.
- Ein-/Ausschalter nach dem Schneiden loslassen und die Maschine vorsichtig nach oben bringen.
- Das Werkstück erst entfernen, wenn die Trennscheibe vollständig ausgelaufen ist.



*Beim Schneiden keine übermäßige Kraft auf den Griff anwenden, da sonst Klinge und Maschine schneller verschleifen, außerdem wird der Schneidvorgang dadurch nicht beschleunigt.*

### Prüfung und Austausch der Kohlebürsten

Der Motor hat 2 Kohlebürsten, die während des Gebrauchs verschleifen. Es ist wichtig, den Zustand der Kohlebürsten zu prüfen, eine verschlissene Kohlebürste könnte in schlechter Leistung und in einem Motorschaden resultieren.

#### Entfernen der Kohlebürsten (Abb. B)

- Sicherstellen, dass der Stromstecker aus der Steckdose gezogen ist.
- Kohlebürstenabdeckung (8) entfernen.
- Die Kohlebürsten durch vorsichtiges Ziehen der Feder entfernen.
- Bürstenblock auf Verschleiß prüfen; wenn weniger als 6mm übrig sind, ist die Kohlebürste abgenutzt und muss sofort ausgetauscht werden.
- Vorgang auf der anderen Seite wiederholen.

#### Kohlebürsten wieder einsetzen (Abb. B)

- Sicherstellen, dass der Stromstecker aus der Steckdose gezogen ist.
- Die Kohlebürsten wieder einsetzen und die Feder wieder anbringen.
- Die Feder gedrückt gehalten, dabei die Kohlebürstenabdeckung (8) aufsetzen und im Uhrzeigersinn drehen.
- Nachdem die Kohlebürsten wieder installiert sind, testen, ob die Maschine reibungslos ohne Funken läuft.



*Immer beide Kohlebürsten ersetzen.*

## 4. WARTUNG



*Trennen Sie die Maschine vom Netz, wenn Sie am Mechanismus Wartungsarbeiten ausführen müssen.*

Reinigen Sie das Werkzeuggehäuse regelmäßig mit einem weichen Lappen, vorzugsweise nach jeder Verwendung. Stellen Sie sicher, dass die Lüftungsöffnungen frei von Staub und Schmutz sind. Entfernen Sie anhaftenden Schmutz mit einem weichen Lappen, der leicht mit Seifenwasser befeuchtet wurde. Verwenden Sie keine Lösungsmittel wie Benzin, Alkohol, Ammoniak usw., da Chemikalien dieser Art die Kunststoffteile beschädigen.

## UMWELTSCHUTZ



*Schadhafte und/oder zu entsorgende elektrische oder elektronische Werkzeuge und Geräte müssen an den dafür vorgesehenen Recycling-Stellen abgegeben werden.*

### Nur für EG-Länder

Entsorgen Sie Elektrowerkzeuge nicht über den Hausmüll. Entsprechend der EU-Richtlinie 2012/19/EG über Elektro- und Elektronik-Altgeräte sowie der Umsetzung in nationales Recht müssen Elektrowerkzeuge, die nicht mehr im Gebrauch sind, getrennt gesammelt und umweltschonend entsorgt werden.

## GARANTIE

VONROC-Produkte werden nach den höchsten Qualitätsstandards entwickelt und sind für den gesetzlich festgelegten Zeitraum, ausgehend von dem ursprünglichen Kaufdatum, garantiert frei von Fehlern in Material und Ausführung. Sollte das Produkt in diesem Zeitraum aufgrund von Material- und/oder Verarbeitungsmängeln Fehler aufweisen, wenden Sie sich bitte direkt an VONROC Kundendienst.

Folgende Umstände sind von der Garantie ausgeschlossen:

- Reparaturen und oder Änderungen an der Maschine, die durch nicht-autorisierte Servicestellen vorgenommen oder versucht wurden.
- Normale Abnutzung und Verschleiß.
- Das Werkzeug wurde übermäßig beansprucht, missbräuchlich verwendet oder falsch gewartet.
- Es wurden keine Original-Ersatzteile verwendet.

Dies stellt die einzige Gewährleistung des Unternehmens dar, sowohl ausdrücklich als auch implizit. Es gibt keine anderen ausdrücklichen oder stillschweigenden Garantien, die über das hier Genannte hinausgehen, einschließlich der stillschweigenden Garantien der Marktgängigkeit oder Eignung für einen bestimmten Zweck. In keinem Fall ist VONROC haftbar für Neben- oder Folgeschäden. Die Rechtsmittel des Händlers beschränken sich auf Reparatur oder Ersatz fehlerhafter Einheiten oder Teile.

**Am Produkt und am Benutzerhandbuch können Änderungen vorgenommen werden. Die technischen Daten können sich ohne Vorankündigung ändern.**

## 1. VEILIGHEIDSVOORSCHRIFTEN

Lees de bijgesloten veiligheidswaarschuwingen, de aanvullende veiligheidswaarschuwingen en de instructies. Het niet opvolgen van de veiligheidswaarschuwingen kan elektrische schokken, brand en/of ernstig letsel tot gevolg hebben. Bewaar de veiligheidswaarschuwingen en instructies als naslagwerk voor later.

De volgende symbolen worden gebruikt in de gebruikershandleiding of op het product:



*Lees de gebruikershandleiding.*



*Duidt op het risico van lichamelijk letsel, overlijden en/of beschadiging van het gereedschap, als de instructies in deze gebruiksaanwijzing niet in acht worden genomen.*



*Gevaar voor elektrische schokken.*



*Verwijder onmiddellijk de netstekker uit het stopcontact indien de netkabel beschadigd raakt en tijdens reiniging en onderhoud.*



*Alleen binnenshuis gebruiken.*



*Klasse II apparaat - Dubbel geïsoleerd - Een geaarde stekker is niet noodzakelijk.*



*Draag altijd een veiligheidsbril.*



*Draag gehoorbescherming.*



*Draag veiligheidshandschoenen.*



*Gevaar voor rondvliegende voorwerpen. Houd omstanders uit de buurt van het werkgebied.*



*Werp het product niet weg in ongeschikte containers.*



*Het product voldoet aan de geldende veiligheidsnormen vermeld in de Europese richtlijnen.*

## ALGEMENE VEILIGHEIDSVOORSCHRIFTEN



**WAARSCHUWING!** Lees alle veiligheidswaarschuwingen en alle instructies. Het niet opvolgen van onderstaande instructies kan leiden tot een elektrische schok, brand en/of ernstig persoonlijk letsel.

### Bewaar deze instructies.

De term "elektrisch gereedschap" in onderstaande waarschuwingen heeft betrekking op zowel apparatuur met een vaste elektriciteitskabel als op apparatuur met een accu (draadloze apparatuur).

### 1) Werkgebied

- Zorg voor een opgeruimde en goed verlichte werkomgeving.** Rommelige en donkere werkomgevingen leiden tot ongelukken
- Gebruik elektrisch gereedschap nooit in een omgeving waar explosiegevaar bestaat, zoals in de nabijheid van ontvlambare vloeistoffen, gassen, dampen of andere stoffen.** Elektrische gereedschappen kunnen vonken veroorzaken, die deze stoffen tot ontbranding kunnen brengen.
- Wanneer u elektrisch gereedschap gebruikt, houd dan kinderen en omstanders op afstand.** Wanneer u wordt afgeleid, kunt u de controle over het gereedschap verliezen.

### 2) Elektrische veiligheid

- Stekkers van elektrische gereedschappen moeten probleemloos passen op het stopcontact. Breng nooit wijzigingen aan in of aan de stekker. Gebruik geen adapters voor geaarde elektrische gereedschappen.** Standaardstekkers en passende stopcontacten verkleinen de kans op een elektrische schok.
- Voorkom lichamelijk contact met geaarde oppervlakken van bijvoorbeeld pijpen, leidingen, radiatoren, fornuizen en koelkasten.** Wanneer uw lichaam geaard is, wordt de kans op een elektrische schok groter.
- Stel elektrische gereedschappen nooit bloot aan regen of vocht.** Wanneer er water binnendringt in een elektrisch gereedschap, wordt de kans op een elektrische schok groter.
- Gebruik het snoer niet om het elektrisch gereedschap te dragen, te verplaatsen of de stekker uit het stopcontact te trekken. Bescherm het snoer tegen olie, warmte, scherpe randen en bewegende delen.** Beschadigde of vastzittende snoeren vergroten

- de kans op een elektrische schok.
- e) **Wanneer u elektrische gereedschappen buiten gebruikt, gebruik dan een verlengkabel die geschikt is voor buitengebruik.** Door een kabel te gebruiken die geschikt is voor buitengebruik, wordt de kans op een elektrische schok kleiner.
  - f) **Gebruik een aardlekbeveiliging (RCD) als niet te voorkomen is dat een power tool moet worden gebruikt in een vochtige omgeving.** Gebruik van een RCD vermindert het risico van elektrische schokken.
- 3) Persoonlijke veiligheid**
- a) **Blijf altijd alert, kijk goed wat u doet en gebruik uw gezonde verstand wanneer u een elektrisch gereedschap gebruikt. Gebruik geen elektrische gereedschappen wanneer u moe bent, of drugs, alcohol of medicijnen hebt gebruikt.** Eén moment van onachtzaamheid bij het gebruik van elektrische gereedschappen kan ernstige verwondingen tot gevolg hebben.
  - b) **Gebruik persoonlijke beschermingsmiddelen. Draag altijd een veiligheidsbril.** Een gepast gebruik van veiligheidsvoorzieningen, zoals een stof masker, speciale werkschoenen met antislipzolen, een veiligheidshelm en gehoorbescherming verkleinen de kans op persoonlijk letsel.
  - c) **Voorkom dat het gereedschap per ongeluk wordt gestart. Zorg dat de schakelaar op de UITpositie staat, voordat u de stekker in het stopcontact steekt.** Draag elektrisch gereedschap nooit met uw vinger op de schakelaar en steek ook nooit de stekker van ingeschakelde elektrische gereedschappen in het stopcontact: dit leidt tot ongelukken.
  - d) **Verwijder alle instel en andere sleutels uit het elektrisch gereedschap voordat u hem inschakelt.** Instel en andere sleutels aan een ronddraaiend onderdeel van het elektrisch gereedschap kunnen tot verwondingen leiden.
  - e) **Zorg dat u nooit uw evenwicht kunt verliezen; houd altijd twee voeten stevig op de vloer.** Hierdoor kunt u het elektrisch gereedschap in onverwachte situaties beter onder controle houden.
  - f) **Zorg dat u geschikte kleding draagt. Draag geen loshangende kleding of sieraden. Houd uw haar, kleding en handschoenen uit de buurt van bewegende delen.** Loshangende kleding, sieraden en lang haar kunnen vast komen te zitten in bewegende delen.
  - g) **Wanneer er voorzieningen zijn voor de aansluiting van stofafzuiginstallaties, zorg dan dat ze op de juiste wijze worden aangesloten en gebruikt.** Gebruik van deze voorzieningen vermindert de gevaren die door stof worden veroorzaakt.
  - h) **Denk niet dat doordat u gereedschap vaak gebruikt, u wel weet hoe het allemaal werkt en dat u de veiligheidsbeginselen voor het gebruik van het gereedschap wel kunt negeren.** Een onbezonnen actie kan in een fractie van een seconde ernstig letsel tot gevolg hebben.
- 4) Gebruik en onderhoud van elektrisch gereedschap**
- a) **Oefen geen overmatige kracht uit op elektrisch gereedschap. Gebruik het juiste gereedschap voor uw specifieke toepassing.** Met het juiste elektrische gereedschap voert u de taak beter en veiliger uit wanneer dit op de snelheid gebeurt waarvoor het apparaat is ontworpen.
  - b) **Gebruik nooit elektrisch gereedschap waarvan de AAN/UITschakelaar niet werkt.** Ieder elektrisch gereedschap dat niet kan worden in en uitgeschakeld met de schakelaar is gevaarlijk en moet worden gerepareerd.
  - c) **Trek de stekker uit het stopcontact voordat u wijzigingen aanbrengt aan elektrische gereedschappen, accessoires verwisselt of het elektrisch gereedschap opbergt.** Wanneer u zich aan deze preventieve veiligheidsmaatregelen houdt, beperkt u het risico dat het gereedschap per ongeluk wordt gestart.
  - d) **Berg elektrisch gereedschap dat niet in gebruik is op buiten bereik van kinderen en laat personen die niet bekend zijn met het gereedschap of deze instructies het apparaat niet gebruiken.** Elektrisch gereedschap is gevaarlijk in de handen van ongeofende gebruikers.
  - e) **Zorg voor een goed onderhoud van elektrisch gereedschap. Controleer of bewegende delen op de juiste wijze zijn vastgezet. Controleer ook of er geen onderdelen defect zijn of dat er andere omstandigheden zijn die van invloed kunnen zijn op de werking van het gereedschap. Laat het gereedschap bij beschadigingen repareren vóór gebruik.** Veel ongelukken worden veroorzaakt door slecht onderhoud van het gereedschap.
  - f) **Zorg dat snij en zaagwerktuigen scherp en schoon blijven.** Goed onderhouden snij en zaagwerktuigen met scherpe randen zullen minder snel vastlopen en zijn eenvoudiger

onder controle te houden.

- g) **Gebruik alle elektrische gereedschappen, accessoires, bitjes etc., zoals aangegeven in deze instructies en op de wijze waarvoor het gereedschap is ontworpen. Houd daarbij rekening met de werkomstandigheden en de uit te voeren taak.** Gebruik van elektrisch gereedschap voor handelingen die afwijken van de taken waarvoor het apparaat is ontworpen kunnen leiden tot gevaarlijke situaties.
- h) **Houd handgrepen en greepoppervlakken droog, schoon en vrij van olie en vet.** Gladde handgrepen en greepoppervlakken maken veilig werken en controle over het gereedschap in onverwachte situaties onmogelijk.

### 5) Service

- a) **Laat uw gereedschap onderhouden door een gekwalificeerde onderhoudstechnicus die alleen gebruikmaakt van identieke vervangingsonderdelen.** Dit zorgt ervoor dat de veiligheid van de powertool intact blijft.

## VEILIGHEIDSINSTRUCTIES VOOR METAAL AFKORTZAAG – ZAAGINSTRUCTIES

1. Zaag altijd alleen de zaagrand (nooit de zijkant) van de schijf. Oefen geen zijwaartse druk uit op de schijf, en laat de schijf vooral niet vastlopen.
  2. Houd handen en lichaam weg bij de schijf. Draag tijdens het werken met de machine geen losse kleding, omdat die in de machine vast kan komen te zitten.
  3. Behandel de zaagschijf met voorzichtigheid, laat de schijf nooit vallen, berg de schijf altijd op een veilige, droge plaats op. Vermijd uitzonderlijk hoge temperaturen en luchtvochtigheid.
  4. Controleer dat alle flenzen van de schijf en andere gemonteerde onderdelen in goede conditie zijn en in elkaar zijn gezet volgens de instructies. Wanneer er onderdelen beschadigd zijn of ontbreken, kan dat leiden tot beschadiging van de schijf. Gebruik altijd de flenzen die bij de machine worden geleverd.
  5. Werk nooit met beschadigde schijven, omdat die gevaarlijk kunnen zijn. Wanneer u de schijf verwisselt, schakel dan eerste machine uit. Draai de schijf met de hand en voer een inspectie uit op onregelmatigheden, verbuigingen of breuken. Treft u deze aan, laat de zaag dan verwijderen en vervangen door een nieuwe.
- Vervang de schijf ook als deze op de grond valt. De schijf kan zijn gebroken, ook al lijken er geen beschadigingen te zijn.
6. Laat de zaag, voor u met zagen begint, proefdraaien, dat wil zeggen, doe een stap achteruit, schakel de motor in en controleer dat de schijf goed functioneert. Laat, wanneer u de schijf hebt vervangen, de zaag drie minuten lang draaien; laat de zaag daarna, voordat u uw gebruikelijke werkzaamheden uitvoert, één minuut proefdraaien.
  7. Probeer, terwijl de machine loopt, nooit een werkstuk weg te nemen of een werkstuk vast te klemmen. Wacht altijd tot de schijf volledig tot stilstand is gekomen en verwijder daarna pas een werkstuk of verander daarna pas de instellingen.
  8. Inspecteer, voordat u de schijf installeert, altijd de met hars en rubber behandelde schijf op breuken.
  9. Controleer altijd dat de maximale bedrijfs-snelheid van de zaagschijf en de maximaal toegestane snelheid van de motor op elkaar zijn afgestemd. Overschrijd nooit een maximaal toegestane bedrijfssnelheid die op de schijf is vermeld.
  10. Probeer nooit met geweld een schijf op de machine te monteren, of het formaat van de assen te wijzigen. Gebruik nooit schijven die niet goed passen. Gebruik alleen schijven die op de machine passen.
  11. Probeer niet zaagbladen op de machine te bevestigen, omdat de machine niet is bedoeld voor het zagen van hout.
  12. Begin pas met zagen wanneer de motor volledig op snelheid is gekomen.
  13. Als u, tijdens het werken met de machine, merkt dat de schijf niet meer draait of de motor overbelast klinkt, schakel de machine dan onmiddellijk uit.
  14. Houd licht brandbare of breekbare voorwerpen weg bij de machine. De gebruiker van de machine moet ervoor zorgen dat zijn handen, gezicht of voeten niet in contact komen met de vonken die door het zagen worden veroorzaakt.
  15. Plaats uw machine stevig op een vlak, gelijkmatig oppervlak.
  16. Werk alleen met de machine op de spanning die op het typeplaatje staat vermeld.
  17. Raak nooit een afgezaagd werkstuk aan voordat u het hebt laten afkoelen.

18. Probeer nooit werkstukken te zagen die groter zijn dan het toegestane formaat.
19. Ga tijdens het zagen nooit staan waar de zaag naar u toe zaagt. Blijf altijd aan één zijde staan.
20. Laat veiligheidsvoorzieningen altijd op hun plaats.
21. Zorg er altijd voor dat u langzaam en voorzichtig zaagt. Breng de schijf niet met een abrupte beweging op het werkstuk aan.
22. Duw het werkstuk nooit naar de schijf toe, terwijl u het in uw handen houdt. Zet het werkstuk altijd vast met de klem.
23. Houd uw handen van de zaagschijf verwijderd. Zaag nooit werkstukken die u met uw handen moet ondersteunen op een afstand van minder dan 15 cm van de roterende schijf.
24. Controleer dat het werkstuk goed is ondersteund.
25. Gebruik nooit snijvloeistoffen. Deze vloeistoffen kunnen vlamvatten en een elektrische schok veroorzaken.
26. Zaag geen materialen van gietijzer.
27. Zaag geen kunststoffen, hout of synthetische materialen.
28. Zaag geen magnesium.

### Elektrische veiligheid



*Controleer altijd of de spanning van de stroomtoevoer overeenkomt met de spanning op het typeplaatje.*

- Gebruik de machine niet indien het netsnoer of de netstekker zijn beschadigd.
- Gebruik uitsluitend verlengkabels die geschikt zijn voor het vermogen van de machine met een minimale dikte van 1.5 mm<sup>2</sup>. Indien u een verlengkabelhaspel gebruikt, rol dan altijd de kabel volledig uit.

## 2. TECHNISCHE INFORMATIE

### Bedoeld gebruik

De afkorting is ontworpen voor het zagen van stalen materiaal in diverse vormen.

### TECHNISCHE SPECIFICATIES

<b>Model Nr.</b>	<b>CS505AC</b>
Netspanning	220V-240V~
Netfrequentie	50/60Hz

Opgenomen vermogen	2.300 W
Nominaal toerental	4300/min
Zaagblad afmeting	Ø 355mm x Ø 25.4mm
Geluidsdruk L <sub>PA</sub>	92 dB(A) K=3
Geluidsvermogen L <sub>WA</sub>	105 dB(A) K=3
Trilling a <sub>h,AG</sub>	2.90+1.5 m/s <sup>2</sup>
Trilling	15.8kg
Max zaagcapaciteit bij 90°	
- Rechthoekig	115mm x 125mm
- L-vormig	135mm x 135mm
- Cirkelvormig	Ø 125mm
Max zaagcapaciteit bij 45°	
- Rechthoekig	110mm x 102mm
- L-vormig	110mm x 110mm
- Cirkelvormig	Ø 110mm

### Trillingsniveau

Het trillingsemissieniveau, dat in deze gebruiksaanwijzing wordt vermeld, is gemeten in overeenstemming met een gestandaardiseerde test volgens EN 62841; deze mag worden gebruikt om twee machines met elkaar te vergelijken en als voorlopige beoordeling van de blootstelling aan trilling bij gebruik van de machine voor de vermelde toepassingen.

- Het gebruik van de machine voor andere toepassingen, of met andere of slecht onderhouden accessoires, kan het blootstellingsniveau aanzienlijk verhogen.
- Wanneer de machine is uitgeschakeld of wanneer deze loopt maar geen werk verricht, kan dit het blootstellingsniveau aanzienlijk reduceren.

Bescherm uzelf tegen de gevolgen van trilling door de machine en de accessoires te onderhouden, uw handen warm te houden en uw werkwijze te organiseren.

### BESCHRIJVING

De nummers in de tekst verwijzen naar de schematische voorstellingen op de pagina's 2 - 5.

1. Bovenste beschermkap
2. Beweegbare beschermkap
3. Zaagschijf
4. Vonkenscherm
5. Werkstukklep

6. Handgreep
- 7a. Aan/Uit-schakelaar
- 7b. Knop voor vergrendeling in de uit-stand
8. Kap koolstofborstels
9. Asvergrendelingsknop
- 10A. Dieptestopbout
- 10B. Dieptestopmoer
11. Vergrendelingspen voor vervoer
12. Achterste werkstuklem
13. Voorste werkstuklem
14. Stophendel
15. Werkstuk as
16. Sleutel voor schijfwisseling
17. Machine as
18. Grote binnenste ring
19. Grote buitenste ring
20. Kleine ring
21. Schijfbout

### 3. BEDIENING



*Neem, voordat u zaagbladen wisselt of de machine afstelt, de stekker uit het stopcontact.*

#### De transportvergrendeling opheffen (Afb. B)

De machine is voorzien van een transportvergrendelingspen (11) die de machine klein houdt, zodat deze gemakkelijk te vervoeren en op te bergen is. De vergrendelingsknop blokkeert de op-/neergaande beweging van de zaag. U kunt de zaag pas gebruiken wanneer u de vergrendeling hebt opgeheven.

- Hef de transportvergrendeling op door de machine wat omlaag te duwen. Wanneer u de machine omlaag duwt, kunt u de transportvergrendelingspen (11) met de andere hand uittrekken.
- Wanneer de pen (11) is uitgetrokken, kan de machine vrij op en neer bewegen.

#### De transportvergrendeling inschakelen (Afb. B)

- Duw de machine omlaag in de laagste stand.
- Duw vervolgens tegen de transportvergrendelingspen (11) tot deze op z'n plaats schuift.

#### Een zaagschijf toevoegen / losnemen (Afb. A, B, C)



*Trek altijd de stekker uit het stopcontact voordat u schijven wisselt.*



*Controleer altijd de bijbehorende veiligheidsinstructies wanneer u schijven wisselt.*

#### Een zaagschijf losnemen

- Neem de schijfsleutel (16) uit de voet van de machine.
- De schijf losnemen is gemakkelijker wanneer de verplaatsbare veiligheidskap (2) omhoog is gezet.
- Druk op de asvergrendelingsknop (9) zodat de beweging van de machineas wordt geblokkeerd.
- Houd de asvergrendelingsknop ingedrukt (9). Plaats de sleutel (16) op de schijfbout en draai tot de knop (9) maximaal is ingedruwd en de asrotatie wordt geblokkeerd.
- Neem de bout (21), kleine ring (20), de grote buitenste ring (19) los.
- Neem vervolgens de zaagschijf los (3).

#### Een zaagschijf monteren

- Draai, als dat nog niet is gebeurd, de bout (21) naar links los, neem vervolgens de kleine ring (20) en de grote buitenste ring (19) los.
- Plaats de zaagschijf (3) op de as van de machine.
- Voeg eerst de grote buitenste ring (19), vervolgens de kleine ring (20) en dan de bevestigingsbout (21) toe, volgens afbeelding C en draai de bout met de hand vast tot de as begint te roteren.
- Druk op de asvergrendelingsknop (9) zodat de beweging van de machineas wordt geblokkeerd.
- Houd de asvergrendelingsknop ingedrukt (9). Plaats de sleutel (16) op de schijfbout en draait deze wat naar rechts.
- Zet, wanneer de asvergrendeling de rotatie blokkeert, de schijfbout met de sleutel (16) vast.
- Maak de asvergrendelingsknop los en controleer dat de asvergrendelingsknop de as niet meer blokkeert.

#### Controleer vervolgens dat de schijf goed is gemonteerd:

- Draai de schijf (3) met de hand enkele malen rond en controleer dat de schijf vrij kan ronddraaien en dat de schijf goed is uitgelijnd.
- Schakel de machine in en laat de machine gedurende ten minste 3 minuten draaien.

#### De machine in-/uitschakelen (Afb. B)

- U kunt de machine starten door op de knop (7b) voor vergrendeling de Uit-stand te drukken en ingedrukt te houden en op de Aan/Uit-schakelaar (7a) te drukken.

- U kunt de machine uitschakelen door op de Aan/Uit-schakelaar (7a) te drukken.

#### De werkstukkleem (5) (Afb. A, B, D)

- Plaats het materiaal van het werkstuk tussen de voorste klem (13) en de achterste klem (12).
- Breng de stop (14) omhoog zoals in Afb. D. wordt getoond en draai de schroefhandgreep (15) naar voren tot de voorste klem (13) het werkstuk raakt.
- Verplaats vervolgens de stop (14) omlaag (vergrendel de as) en zet het werkstuk stevig vast door de schroefhandgreep (15) te draaien.

#### Zagen onder een hoek (Afb. E)

Met de machine kan onder een hoek van 0° tot 45° graden worden gezaagd, daartoe moet de stand van de achterste klem (12) worden aangepast.

- Draai de 2 M10 zeskantige bouten (22 & 23) los, waarmee de achterste (12) vast zit, tot de bankschroef kan bewegen.
- Plaats vervolgens de achterste klem (12) in de juiste hoek en zet beide bouten (22 & 23) weer vast.

#### De achterste bankschroef verplaatsen

##### (zodat u grotere werkstukken kunt zagen) (Afb. F)

Wanneer de machine uit de fabriek wordt verzonden, biedt de bankschroef ruimte voor werkstukken van een maximale afmeting van 160 mm. De bankschroef kan naar achteren worden verplaatst voor werkstukken van 195 mm, zoals in de rechter foto (afb. F) wordt getoond.

- Draai de 2 M10 zeskantige bouten (22 & 23) op de achterste klem (12) geheel los.
- Verplaats de klem (12) naar achteren en bevestig de bouten (22 & 23) weer op de achterste verbindingsgaten.

#### De dieptestop afstellen (Afb. B)

De machine is voorzien van een bout voor de dieptestop, met deze bout kan de maximale zaagdiepte worden afgesteld.

- Als de zaagdiepte moet worden afgesteld, maak dan de onderste moer (10B) los, stel vervolgens de diepte-instelling af door de bovenste bout (10A) in de gewenste positie te zetten.
- Zet vervolgens de onderste moer (10B) weer vast.

#### Zaagprocedure

Volg voor het zagen van materiaal altijd de volgende procedure:

- Controleer, voordat u de machine start, dat het werkstuk goed is vastgeklemd en goed wordt ondersteund.
- Start de machine in de bovenste positie en laat de machine even draaien tot de maximale snelheid is bereikt.
- Controleer dat het zaagblad vrij draait zonder trilling.
- Verplaats de machine voorzichtig omlaag tot het materiaal wordt geraakt.
- Blijf de handgreep met enige kracht aanduwen, let erop dat de snelheid van het zaagblad niet afneemt.
- Laat na het zagen de Aan/Uit-schakelaar los en verplaats de machine voorzichtig omhoog.
- Verwijder het werkstuk pas wanneer de zaag volledig tot stilstand is gekomen.



*Oefen tijdens het zagen niet uitzonderlijk veel kracht op de handgreep uit, het zaagblad en de machine zullen sneller slijten en het zagen zal niet sneller verlopen.*

#### De koolborstels inspecteren en vervangen

De motor heeft 2 koolborstels en die slijten tijdens gebruik. Het is belangrijk dat u de staat van de koolborstels inspecteert, een versleten koolborstel kan slechte prestaties en beschadiging van de motor tot gevolg hebben.

##### Koolborstels uitnemen (Afb. B)

- Controleer dat de stekker niet in het stopcontact zit.
- Neem de kap (8) van de koolborstels af.
- Verwijder de koolborstels door ze voorzichtig naar buiten te trekken.
- Controleer het borstelblok op slijtage, wanneer er minder dan 6 mm over is, is de koolborstel versleten en moet onmiddellijk worden vervangen.
- Herhaal dit voor de andere zijde.

##### De koolborstels weer plaatsen (Afb. B)

- Controleer dat de stekker niet in het stopcontact zit.
- Plaats de koolborstels weer en duw de veer weer op z'n plaats.



- Plaats de kap (8) van de koolborstels terwijl u de veer ingedruwd houdt, en draai de kap naar rechts.
- Test, nadat u de beide koolborstels weer hebt geplaatst, dat het apparaat soepel loopt zonder dat vonken te zien zijn.



*Vervang altijd beide koolborstels.*

## 4. ONDERHOUD



*Zorg dat de machine niet onder spanning staat wanneer onderhoudswerkzaamheden aan het mechaniek worden uitgevoerd.*

Reinig de machinebehuizing regelmatig met een zachte doek, bij voorkeur iedere keer na gebruik. Zorg dat de ventilatiesleuven vrij van stof en vuil zijn. Gebruik bij hardnekkig vuil een zachte doek bevochtigd met zeepwater. Gebruik geen oplosmiddelen als benzine, alcohol, ammonia, etc. Dergelijke stoffen beschadigen de kunststof onderdelen.

## MILIEU



*Defecte en/of afgedankte elektrische of elektronische gereedschappen dienen ter verwerking te worden aangeboden aan een daarvoor verantwoordelijke instantie.*

### Uitsluitend voor EG-landen

Werp elektrisch gereedschap niet weg bij het huisvuil. Conform de Europese Richtlijn 2012/19/EG voor Afgedankte Elektrische en Elektronische Apparatuur en de implementatie ervan in nationaal recht moet niet langer te gebruiken elektrisch gereedschap gescheiden worden verzameld en op een milieuvriendelijke wijze worden verwerkt.

## GARANTIE

VONROC producten zijn ontworpen volgens de hoogste kwaliteitsstandaarden en gegarandeerd vrij van defecten, zowel materieel als fabrieksfouten, tijdens de wettelijk vastgestelde garantieperiode vanaf de eerste aankoopdatum. Mocht het product tijdens deze periode gebreken vertonen veroorzaakt door defecte materialen en/of fabrieksfouten, neem dan rechtstreeks contact op met VONROC.

De volgende situaties vallen niet onder de garantie:

- Er zijn reparaties of aanpassingen aan de machine uitgevoerd, of er is een poging daartoe ondernomen, door een niet-geautoriseerd servicecentrum.
- Normale slijtage.
- De machine is misbruikt, verkeerd gebruikt of slecht onderhouden.
- Er zijn niet-orginele reserveonderdelen gebruikt.

Dit vormt de enige garantie opgesteld door het bedrijf zowel expliciet als impliciet. Er bestaan geen andere garanties expliciet of impliciet welke verder gaan dan deze garantie, inclusief impliciete garanties van verkoopbaarheid en geschiktheid voor bepaalde doeleinden. In geen enkel geval kan VONROC aansprakelijk worden gesteld voor incidentele schade of gevolgschade. Reparaties van dealers zijn gelimiteerd tot de reparatie of vervanging van defecte producten of onderdelen.

**Het product en de gebruikershandleiding zijn onderhevig aan wijzigingen. Specificaties kunnen zonder opgaaf van redenen worden gewijzigd.**

## 1. CONSIGNES DE SÉCURITÉ

En plus des avertissements de sécurité suivants, veuillez également lire les avertissements de sécurité additionnels ainsi que les instructions. Le non-respect des avertissements de sécurité et des instructions peut entraîner une décharge électrique, un incendie et/ou des blessures graves. Veuillez conserver les avertissements de sécurité et les instructions pour consultation ultérieure.

Les symboles suivants sont utilisés dans le manuel d'utilisation ou apposés sur le produit:



Lisez le manuel d'utilisation.



Indique un risque de blessure, de décès ou de détérioration de l'outil en cas de non-respect des consignes de ce manuel.



Risque de décharge électrique.



Débranchez immédiatement la fiche de la prise secteur si le câble secteur est endommagé ainsi que durant le nettoyage et la maintenance.



Utilisation en intérieur uniquement.



Machine de classe II - Double isolation - Vous n'avez pas besoin de prise avec mise à la terre.



Portez toujours des lunettes de protection.



Portez des protections auditives.



Portez des gants de sécurité.



Risque de projection d'objets. Maintenez les passants à l'écart de la zone de travail.



Ne jetez pas le produit dans des conteneurs qui ne sont pas prévus à cet effet.



Le produit est conforme aux normes de sécurité des directives européennes en vigueur.

## CONSIGNES GÉNÉRALES DE SÉCURITÉ



**AVERTISSEMENT! Veuillez lire l'intégralité des avertissements de sécurité et des instructions.** Le nonrespect de toutes les instructions indiquées cidessous peut entraîner un risque de choc électrique, d'incendie et/ou de blessures graves.

### Conservez ces instructions.

Le terme "appareil électrique" mentionné dans tous les avertissements cidessous se rapporte à un appareil électrique qui se branche au réseau électrique (grâce à un câble d'alimentation) ou à un appareil électrique (sans fil) fonctionnant grâce à une batterie.

### 1) Espace de travail

- a) **Veillez toujours à garder votre espace de travail propre et bien éclairé.** Les espaces mal rangés et sombres peuvent être la cause d'accidents.
- b) **N'utilisez pas les appareils électriques dans des environnements susceptibles d'explosion, par exemple en présence de liquides inflammables, de gaz ou de particules.** Les appareils électriques provoquent des étincelles qui peuvent enflammer les particules des émanations.
- c) **Veillez à garder éloignés les enfants et les personnes se trouvant dans votre voisinage, lors de l'utilisation d'un appareil électrique.** Les distractions peuvent vous faire perdre le contrôle de l'appareil.

### 2) Mesures de sécurité électriques

- a) **Les prises des appareils électriques doivent être raccordées à la prise murale correspondante. Ne modifiez jamais la prise de l'appareil, de quelque façon que ce soit. N'utilisez pas d'adaptateurs qui mettent les appareils électriques à la terre (mise à la masse).** Des prises non modifiées et branchées à la prise murale correspondante réduiront les risques de choc électrique.
- b) **Évitez le contact direct avec les surfaces mises à la terre ou mises à la masse comme les canalisations, les radiateurs, les cuisinières et les réfrigérateurs.** En effet, le risque de choc électrique s'accroit si votre corps est mis à la terre ou à la masse.
- c) **N'utilisez pas d'outils électriques dans des environnements pluvieux ou humides.** Si de l'eau s'introduit dans un appareil électrique, le risque de choc électrique augmentera.

- d) **N'utilisez pas le câble de manière abusive. N'utilisez jamais le câble pour transporter, tirer ou débrancher l'appareil électrique. Veillez à garder le câble éloigné des sources de chaleur, des huiles, des rebords coupants ou des pièces actionnées.** Les câbles endommagés ou entremêlés augmentent le risque de choc électrique.
- e) **Lorsque un appareil est utilisé à l'extérieur, utilisez uniquement un câble prolongateur prévu à cet effet.** L'utilisation d'un câble à usage extérieur réduit le risque de choc électrique.
- f) **Si vous êtes contraint d'utiliser un outil électrique dans un environnement humide, utilisez une alimentation protégée par un dispositif à courant résiduel (RCD).** L'utilisation d'un RCD réduit le risque de décharge électrique.
- 3) Sécurité personnelle**
- a) **Restez vigilant, gardez un œil sur ce que vous faites et utilisez votre sens commun lors de l'utilisation d'un appareil électrique. N'utilisez pas un appareil électrique si vous êtes fatigué ou si vous êtes sous l'influence de drogues, d'alcool ou si vous prenez des médicaments.** Un moment d'inattention lors de l'utilisation des appareils électriques peut entraîner des blessures graves.
- b) **Utilisez un équipement de protection personnelle. Protégez-vous toujours les yeux.** Les équipements de protection, tels qu'un masque à poussière, des chaussures antidérapantes, des protections auditives ou un casque de sécurité, utilisés dans de bonnes conditions, réduiront le risque de blessures.
- c) **Prévenez tout démarrage involontaire. Assurez-vous que l'interrupteur est sur la position "arrêt avant de brancher l'appareil.** En effet, le transport des appareils électriques en gardant vos doigts sur l'interrupteur, ou le branchement de ces appareils en ayant l'interrupteur sur "marche accidents.
- d) **Retirez les clés de réglage ou les clés de vis de réglage avant d'allumer l'appareil électrique.** Une clé de vis de réglage ou une clé, laissée sur une pièce en mouvement de l'appareil électrique, peut entraîner des lésions corporelles.
- e) **Ne pas se précipiter. Gardez toujours vos pieds à plat et gardez votre équilibre.** Ceci permet de mieux contrôler l'appareil électrique dans des situations imprévues.
- f) **Habilitez-vous convenablement. Ne portez pas de vêtements lâches ou de bijoux. Gardez vos cheveux, vêtements et gants éloignés des pièces actionnées.** En effet, ces derniers peuvent être pris dans les pièces en action.
- g) **Si les appareils sont fournis pour la connexion des équipements d'évacuation et de récupération de la poussière, assurez-vous que ces derniers soient correctement connectés et utilisés.** L'utilisation de ces appareils peut réduire les risques liés à la poussière.
- h) **Ne pensez pas être familiarisé avec l'outil après l'avoir utilisé à de nombreuses reprises, au point de ne plus rester vigilant et d'en oublier les consignes de sécurité.** Toute action imprudente peut engendrer de graves blessures en une fraction de seconde.
- 4) Utilisation et entretien d'un appareil électrique**
- a) **Ne forcez pas l'appareil électrique. Utilisez l'appareil électrique adéquat pour votre application.** Un appareil électrique correctement choisi assurera un meilleur travail et un travail sans danger, au rythme auquel il a été conçu.
- b) **N'utilisez pas l'appareil électrique si l'interrupteur marche/arrêt ne fonctionne pas.** Un appareil électrique qui ne peut pas être commandé par l'interrupteur de contrôle est dangereux et doit être réparé.
- c) **Débranchez la prise du bloc d'alimentation avant d'effectuer des réglages, de changer des accessoires, ou de ranger les appareils électriques.** Ces mesures de sécurité préventives réduiront le risque de démarrage involontaire de l'appareil électrique.
- d) **Rangez les appareils électriques arrêtés hors de la portée des enfants et ne laissez aucune personne, non familiarisée avec l'outil ou ces instructions, utiliser l'appareil électrique.** Les appareils électriques sont dangereux entre les mains d'utilisateurs non formés.
- e) **Entretenez les appareils électriques. Vérifiez tout défaut d'alignement et l'enchaînement des pièces actionnées, la rupture de ces dernières, et les autres conditions qui peuvent affecter le fonctionnement des appareils électriques. En cas de dommages, faites réparer l'appareil électrique avant de le réutiliser.** Nombreux sont les accidents provoqués par des appareils électriques mal entretenus.
- f) **Veillez à garder les outils coupants aiguisés et propres.** Des outils coupants correctement

entretenus avec des lames aiguisées sont moins susceptibles de se bloquer et sont plus faciles à contrôler.

- g) **Utilisez l'appareil électrique, les accessoires et les embouts, etc., conformément à ces instructions et de la manière prévue pour le type spécifique de l'appareil électrique, en prenant en compte les conditions de travail et le travail à effectuer.** L'utilisation de l'appareil électrique dans des applications différentes de celles prévues peut entraîner des situations dangereuses.
- h) **Gardez les poignées et les surfaces de préhension sèches, propres et exemptes d'huile et de graisse.** Des poignées et des surfaces de préhension glissantes ne permettent pas de manipuler et de contrôler l'outil correctement en cas de situations inattendues.
- h) **Gardez les poignées et les surfaces de préhension sèches, propres et exemptes d'huile et de graisse.** Des poignées et des surfaces de préhension glissantes ne permettent pas de manipuler et de contrôler l'outil correctement en cas de situations inattendues.

## 5) Maintenance

- a) **L'entretien de votre outil électrique doit être confié à un réparateur qualifié qui utilise uniquement des pièces de rechange identiques aux pièces d'origine.** Cela permet d'assurer la sécurité de l'outil électrique.

## DE SÉCURITÉ SUPPLÉMENTAIRES LIÉES AUX SCIE À TRONÇONNER

1. Utilisez toujours et uniquement le bord de coupe du disque (et jamais le flanc) pour couper. Évitez toute pression latérale sur le disque et évitez tout particulièrement de bloquer le disque.
2. Gardez vos mains et votre corps loin du disque. Pour utiliser la machine, ne portez aucun vêtement ample qui pourrait être happé à l'intérieur.
3. Prenez soin du disque de coupe, ne le faites pas tomber, rangez-le dans un endroit sûr et sec. Évitez les températures excessives ainsi que l'humidité.
4. Assurez-vous que toutes les brides de disque ainsi que les autres pièces installées sont en bon état et assemblées conformément aux instructions. Toute pièce endommagée ou manquante peut conduire à la rupture du disque. Utilisez toujours les brides livrées avec la machine.
5. Ne travaillez jamais avec des disques endommagés car ils peuvent être dangereux. Éteignez la machine avant de remplacer le disque. Faites tourner le disque à la main et inspectez-le pour contrôler l'absence d'irrégularités, de torsion ou de fissures. Si vous détectez l'un de ces dommages, retirez le disque et remplacez-le par un neuf. Remplacez également le disque s'il tombe au sol. Il peut en être fragilisé même si aucun dommage apparent n'est visible.
6. Avant de commencer à scier, procédez à un test. En vous éloignant d'un pas, allumez le moteur et assurez-vous que le disque fonctionne correctement. Après avoir remplacé le disque, laissez tourner la scie pendant trois minutes, puis, avant de reprendre le travail de routine, laissez-la tourner en test pendant une minute.
7. Lorsque la machine est allumée, ne tentez jamais de retirer ou de fixer la pièce à scier. Attendez toujours que le disque se soit complètement arrêté avant de retirer la pièce à scier ou de modifier les réglages.
8. Avant d'installer le disque, contrôlez toujours l'absence de fissure sur les disques résine et caoutchouc.
9. Comparez toujours la vitesse de fonctionnement maximale du disque de la scie abrasive avec la vitesse maximale autorisée pour le moteur. Ne dépassez jamais la vitesse de fonctionnement maximale autorisée indiquée sur le disque.
10. Ne tentez jamais de monter un disque en force sur la machine, ni de modifier la taille des axes. N'utilisez jamais un disque qui ne soit pas adapté. N'utilisez que des disques adaptés pour la machine.
11. Ne tentez pas de fixer des lames de scie sur la machine, cette dernière n'étant pas conçue pour scier du bois.
12. Ne commencez pas une découpe avant que le moteur ait atteint son plein régime.
13. Si, alors que la machine est en marche, le disque cesse de tourner ou si le moteur semble être sursollicité, éteignez immédiatement la machine.
14. Gardez les objets facilement inflammables ou fragiles éloignés de la machine. L'utilisateur de la machine doit empêcher ses mains, son visage ou ses pieds d'entrer en contact avec les étincelles provoquées par le sciage.

15. Placez votre machine sur une surface ferme, plate et de niveau.
16. Ne faites fonctionner la machine qu'à la tension spécifiée sur la plaque signalétique.
17. Ne touchez jamais la pièce sciée avant qu'elle ait refroidi.
18. Ne tentez jamais de scier des pièces dont la taille dépasse la taille autorisée.
19. Pendant la découpe, ne vous placez jamais dans le sens de coupe. Restez d'un côté ou de l'autre de la scie.
20. Ne désinstallez jamais les dispositifs de sécurité en place.
21. Assurez-vous de toujours procéder à une découpe lente et prudente. Évitez tout mouvement saccadé du disque sur la pièce à scier.
22. Ne poussez jamais la pièce à scier vers le disque alors que vous la tenez à la main. Utilisez toujours des fixations pour immobiliser la pièce à scier.
23. Gardez vos mains éloignées du disque de coupe. Ne sciez jamais une pièce si elle doit être tenue à la main à moins de 15cm du disque en rotation.
24. Assurez-vous que la pièce à scier est correctement soutenue.
25. N'utilisez jamais aucun liquide de coupe. Ces liquides peuvent s'enflammer ou engendrer un choc électrique.
26. Ne sciez jamais de fonte.
27. Ne sciez pas de plastique, de bois ou de matières synthétiques.
28. Ne sciez pas de magnésium.

### Sécurité électrique



Vérifiez si la tension d'alimentation électrique correspond bien à celle de la plaque signalétique.

- N'utilisez pas la machine si le câble secteur ou la fiche secteur est endommagé.
- Utilisez uniquement des rallonges adaptées à la puissance nominale de la machine et d'une section minimum de 1.5 mm<sup>2</sup>. Si vous utilisez une bobine de rallonge, déroulez toujours complètement le câble.

## 2. INFORMATIONS RELATIVES A LA MACHINE

### Utilisation prévue

La scie abrasive a été conçue pour scier l'acier en différentes formes.

### SPÉCIFICATIONS TECHNIQUES

N° de modèle	CS505AC
Tension de secteur	220V-240V~
Fréquence de secteur	50/60Hz
Entrée d'alimentation	2.300 W
Vitesse nominale	4300/min
Dimension du scie	Ø 355mm x Ø 25.4mm
Pression acoustique L <sub>PA</sub>	92 dB(A) K=3
Intensité acoustique L <sub>WA</sub>	105 dB(A) K=3
Vibration a <sub>h,AG</sub>	2.90+1.5 m/s <sup>2</sup>
Poids	15.8kg
Capacité maximale à 90°	
- Rectangulaire	115mm x 125mm
- En L	135mm x 135mm
- Circulaire	Ø 125mm
Capacité maximale à 45°	
- Rectangulaire	110mm x 102mm
- En L	110mm x 110mm
- Circulaire	Ø 110mm

### Niveau de vibrations

Le niveau des vibrations émises, indiqué dans ce manuel, a été mesuré conformément à la procédure décrite par la norme EN 62841. Il peut être utilisé pour comparer deux outils ou pour réaliser une estimation préalable de l'exposition aux vibrations lors de l'utilisation de l'outil pour les applications mentionnées.

- L'utilisation de l'outil dans d'autres applications ou avec des accessoires différents ou mal entretenus peut considérablement augmenter le niveau d'exposition.
- La mise hors tension de l'outil et sa non-utilisation pendant qu'il est allumé peuvent considérablement réduire le niveau d'exposition.

Protégez-vous contre les effets des vibrations par un entretien correct de l'outil et de ses accessoires, en vous échauffant les mains et en organisant vos rythmes de travail.

## DESRIPTIF

Les numéros dans le texte font référence aux diagrammes des pages 2 -5.

1. Protège-lame supérieur
2. Protège-lame amovible
3. Disque à tronçonner
4. Pare-étincelles
5. Fixation pièce à scier
6. Poignée
- 7a. Interrupteur Marche/Arrêt
- 7b. Bouton de verrouillage
8. Cache des balais carbone
9. Bouton de verrouillage de l'axe
- 10A. Boulon de butée de profondeur
- 10B. Écrou de butée de profondeur
11. Goupille de verrouillage pour le transport
12. Fixation arrière pièce à scier
13. Fixation avant pièce à scier
14. Levier de butée
15. Axe Pièce à scier
16. Clé pour le changement de disque
17. Axe de la machine
18. Grande rondelle intérieure
19. Grande rondelle extérieure
20. Petite rondelle
21. Boulon de disque

## 3. FONCTIONNEMENT



*Avant de remplacer les disques ou de régler la machine, retirez d'abord la prise électrique de la prise murale.*

### Retrait du dispositif de verrouillage pour le transport (Fig. B)

La machine dispose d'une goupille de verrouillage pour le transport (11) qui permet de la garder en place et de faciliter son transport et son rangement. Le bouton de verrouillage empêche le mouvement haut/bas de la scie. Il doit être désenclenché avant de pouvoir utiliser la scie.

- Retirez le dispositif de verrouillage pour le transport en poussant légèrement la machine vers le bas. Tout en poussant, retirez la goupille de verrouillage pour le transport (11) de l'autre main.
- La machine peut librement être déplacée vers le haut ou le bas une fois la goupille (11) complètement sortie.

### Mise en place du dispositif de verrouillage pour le transport (Fig. B)

- Abaissez la machine à son niveau le plus bas.
- Enfoncez ensuite la goupille de verrouillage pour le transport (11) jusqu'à ce qu'elle ait complètement glissé en place.

### Ajout / retrait d'un disque de coupe (Fig. A, B, C)



*Débranchez toujours la prise électrique avant de remplacer les disques.*



*Consultez toujours les consignes de sécurité avant de remplacer les disques.*

### Retrait d'un disque de coupe

- Prenez la clé à disque (16) qui se trouve dans le socle de la machine.
- Le retrait du disque est plus simple si le carter de protection mobile (2) est relevé.
- Enfoncez le bouton de verrouillage de l'axe (9) afin de bloquer le mouvement de l'axe de la machine.
- Gardez le bouton de verrouillage de l'axe (9) enfoncé. Placez la clé (16) sur le boulon du disque et tournez légèrement jusqu'à ce que le bouton (9) soit enfoncé au maximum et que la rotation de l'axe soit impossible.
- Retirez le boulon (21), la petite rondelle (20) et la grande rondelle extérieure (19).
- Retirez ensuite le disque de coupe (3).

### Installation d'un disque de coupe

- Si cela n'est pas déjà fait, retirez le boulon (21) en le tournant dans le sens inverse des aiguilles d'une montre, puis retirez la petite rondelle (20) et la grande rondelle extérieure (19).
- Placez le disque de coupe (3) sur l'axe de la machine.
- Ajoutez d'abord la grande rondelle extérieure (19), puis la petite rondelle (20) et enfin le boulon de fixation (21) conformément à la Fig. C puis serrez le boulon à la main jusqu'à ce que l'axe commence à tourner.
- Enfoncez le bouton de verrouillage de l'axe (9) afin de bloquer le mouvement de l'axe de la machine.
- Gardez le bouton de verrouillage de l'axe (9) enfoncé. Placez la clé (16) sur le boulon du disque et tournez-le légèrement dans le sens des aiguilles d'une montre.

- Lorsque le verrouillage de l'axe bloque la rotation, serrez le boulon du disque à l'aide de la clé (16).
- Desserrez le bouton de verrouillage de l'axe et assurez-vous qu'il ne bloque plus l'axe.

#### Contrôlez ensuite le bon assemblage du disque:

- Tournez le disque (3) à la main sur quelques tours afin de contrôler qu'il tourne librement et qu'il est correctement aligné.
- Allumez la machine et laissez-la tourner pendant au moins 3 minutes.

#### **Allumer et éteindre la machine (Fig. B)**

- Pour démarrer la machine, maintenez le bouton de verrouillage (7b) enfoncé et appuyez sur l'interrupteur Marche/Arrêt (7a).
- Pour éteindre la machine, relâchez l'interrupteur Marche/Arrêt (7a).

#### **La fixation de la pièce à scier (5) (Fig. A, B, D)**

- Placez la pièce à scier entre la fixation avant (13) et la fixation arrière (12).
- Soulevez la butée (14) comme illustré par la Fig. D et tournez la poignée de la vis (15) jusqu'à ce que la fixation avant (13) touche la pièce à scier.
- Déplacez ensuite la butée (14) vers le bas (pour verrouiller l'axe) et fixez fermement la pièce à scier en tournant la poignée de la vis (15).

#### **Découpes d'angles (Fig. E)**

La machine permet de découper à des angles allant de 0° à 45° en réglant la fixation arrière (12).

- Desserrez les 2 boulons M10 à tête à six pans (22 & 23) qui maintiennent la fixation arrière (12) jusqu'à ce que l'étau puisse bouger.
- Réglez ensuite la fixation arrière (12) au bon angle et resserrez les deux boulons (22 & 23).

#### **Déplacement de l'étau arrière (pour scier de plus grandes pièces) (Fig. F)**

En sortie d'usine l'étau autorise des pièces d'une taille maximale de 160mm. L'étau peut être réglé à l'arrière pour accepter des pièces de 195 mm, comme illustré par l'image de droite (Fig. F).

- Desserrez complètement les 2 boulons M10 à six pans (22 & 23) sur la fixation arrière (12).
- Déplacez la fixation (12) vers l'arrière et refixez les boulons (22 & 23) dans les trous arrière.

#### **Réglage de la butée de profondeur (Fig. B)**

La machine est équipée d'un boulon de butée de profondeur qui permet de régler la profondeur de coupe maximale.

- Si la profondeur de coupe a besoin d'être réglée, desserrez l'écrou inférieur (10B) puis réglez la profondeur en tournant le boulon supérieur (10A) jusqu'à la bonne position.
- Refixez ensuite l'écrou inférieur (10B).

#### **Procédure de coupe**

Respectez toujours la procédure qui suit pour procéder à la découpe de matière:

- Assurez-vous que la pièce à scier est correctement fixée et soutenue avant de démarrer la machine.
- Démarrez la machine en position haute et laissez-la tourner un moment jusqu'à ce qu'elle atteigne son régime maximum.
- Assurez-vous que le disque tourne librement, sans vibrer.
- Abaissez doucement la machine jusqu'à ce qu'elle touche la pièce.
- Continuez à pousser la poignée sans trop forcer, en vous assurant que la vitesse du disque ne chute pas.
- Relâchez l'interrupteur Marche/Arrêt après la découpe et relevez doucement la machine.
- Ne retirez la pièce sciée qu'après l'arrêt complet du disque.



*N'exercez pas une trop grande force sur la poignée pendant la découpe. Le disque et la machine s'useraient sinon plus rapidement sans pour autant scier plus rapidement.*

#### **Inspection et remplacement des balais carbone**

Le moteur est équipé de 2 balais carbone qui s'usent pendant l'utilisation. Il est important de contrôler l'état des balais carbone car un balai usé peut diminuer les performances et endommager le moteur.

#### Retrait des balais carbone (Fig. B)

- Assurez-vous d'avoir bien débranché la prise électrique de la prise murale.
- Retirez le cache des balais carbone (8).
- Retirez les balais carbone en étirant doucement le ressort.
- Contrôlez l'absence de signes d'usure sur le bloc de balais. Si moins de 6mm restent sur les

balais carbone, cela indique qu'ils sont usés et qu'ils doivent immédiatement être remplacés.

- Répétez la procédure de l'autre côté.

#### Réinstallation des balais carbone (Fig. B)

- Assurez-vous d'avoir bien débranché la prise électrique de la prise murale.
- Insérez les balais en carbone et repoussez le ressort en place.
- Réinstallez le cache des balais carbone (8) tout en maintenant le ressort enfoncé et tournez le cache dans le sens des aiguilles d'une montre.
- Après avoir réinstallé les deux balais carbone, testez le bon fonctionnement de la machine, sans étincelles.



*Remplacez toujours les deux balais carbone en même temps.*

## 4. ENTRETIEN



*Si vous voulez procéder à des travaux d'entretien sur le mécanisme, mettez la machine hors secteur.*

Nettoyez le corps de la machine régulièrement au moyen d'un chiffon doux, de préférence après chaque utilisation. Vérifiez que les ouvertures d'aération ne sont pas obstruées ni sales. Utilisez un chiffon doux légèrement humidifié avec de la mousse de savon pour nettoyer les taches persistantes. N'utilisez pas de produits de nettoyage tels que l'essence, l'alcool, l'ammoniac, etc.; ces produits peuvent endommager les parties synthétiques.

## ENVIRONNEMENT



*Les équipements électroniques ou électriques défectueux ou destinés à être mis au rebut doivent être déposés aux points de recyclage appropriés.*

### **Uniquement pour les pays de l'UE**

Ne jetez pas les outils électriques avec les déchets domestiques. Selon la Directive européenne 2012/19/CE relative aux déchets d'équipements électriques et électroniques et sa mise en oeuvre dans le droit national, les outils électriques hors d'usage doivent être collectés séparément et mis au rebut de manière écologique.

## GARANTIE

Les produits VONROC sont développés aux plus hauts standards de qualité et ils sont garantis contre les défauts de pièces et de main d'oeuvre pendant la durée légale stipulée à partir de la date d'achat d'origine du produit. En cas d'une quelconque panne du produit pendant cette durée qui serait due à un défaut matériel et/ou de main d'oeuvre, contactez directement VONROC.

Les circonstances suivantes ne sont pas prises en charge par la garantie:

- Des réparations ou altérations ont été effectuées ou tentées sur la machine par un centre de réparation non agréé.
- L'usure normale.
- L'outil a été maltraité, mal utilisé ou mal entretenu.
- Des pièces détachées non d'origine ont été utilisées.

Ceci constitue l'unique garantie accordée par la société explicitement ou implicitement. Il n'existe aucune autre garantie, explicite ou implicite, qui peut s'étendre au delà du contenu ici présent, y compris les garanties marchandes ou d'adaptation à des fins particulières. En aucun cas VONROC ne sera tenu responsable de dommages accidentels ou consécutifs. Les solutions proposées par les revendeurs devront se limiter à la réparation ou le remplacement des éléments ou pièces non conformes.

**Le produit et le manuel d'utilisation sont sujets à modifications. Les spécifications peuvent changer sans préavis.**



## 1. INSTRUCCIONES DE SEGURIDAD

Lea las advertencias de seguridad, las advertencias de seguridad adicionales y las instrucciones adjuntas. De no respetarse las advertencias de seguridad y las instrucciones, podrían producirse descargas eléctricas, incendios y/o lesiones graves. Conserve las advertencias de seguridad y las instrucciones para su posterior consulta.

Los siguientes símbolos se utilizan en el manual de usuario o en el producto:



Lea el manual de usuario.



Denota riesgo de lesiones personales, pérdida de vida o daños a la herramienta en caso de incumplimiento de las instrucciones del presente manual.



Riesgo de descarga eléctrica.



Saque inmediatamente el enchufe de la toma si el cable eléctrico resulta dañado y durante la limpieza y el mantenimiento.



Para utilizar en interiores solamente.



Máquina de clase II - Doble aislamiento - No necesita enchufe con puesta a tierra.



Use siempre protectores oculares.



Use protectores auditivos.



Use guantes de seguridad.



Mantenga a los presentes a una distancia prudencial de la zona de trabajo.



No tire el producto en contenedores no apropiados.



El producto es conforme a las normas de seguridad aplicables según las directivas europeas.

## INSTRUCCIONES GENERALES DE SEGURIDAD



**PRECAUCIÓN!** Lea todas las advertencias de seguridad y todas las instrucciones.

Si no lo hace, el uso indebido puede acarrear cortocircuitos, fuego o lesiones graves.

### Conserve estas instrucciones.

El término "herramienta eléctrica", en todas las advertencias enumeradas a continuación se refiere a su herramienta eléctrica (inalámbrica) que funciona con una batería o a través de la red eléctrica.

### 1) Área de trabajo

- Trabaje en un lugar limpio y bien iluminado.** Lugares no iluminados o sucios propician accidentes.
- No use herramientas eléctricas donde haya riesgo de fuego o explosión, p.ej: cerca de líquidos o gases inflamables, polvo etc.** Las herramientas eléctricas producen chispas que pueden producir la ignición de partículas de humo.
- Mantenga a los niños y otras personas alejados mientras utiliza la herramienta eléctrica.** Las distracciones pueden hacer que pierda el control de la herramienta.

### 2) Seguridad eléctrica

- Cerciórese de que las clavijas de la herramienta eléctrica están correctamente enchufadas. Nunca modifique la clavija. No utilice ningún adaptador para la clavija de una herramienta eléctrica con conexión a tierra.** Las clavijas que no se hayan cambiado y los enchufes adecuados reducen el riesgo de cortocircuitos.
- Evite el contacto humano con superficies con conexiones a tierra como tubos metálicos, conductos, tubos de la calefacción, radiadores y refrigeradores.** El riesgo de cortocircuitos es mayor cuando el cuerpo está en contacto con el suelo.
- No use herramientas eléctricas bajo la lluvia o en entornos húmedos.** Si entra agua en una herramienta eléctrica aumenta el riesgo de cortocircuito.
- No utilice el cable para todo. Nunca utilice el cable para mover la máquina, empujarla o sacar la clavija del enchufe. Mantenga el cable alejado del calor, aceite, zonas cortantes o piezas en movimiento.** Los cables dañados o enredados aumentan el riesgo de cortocircuito.
- Use un cable alargador impermeable adecuado para exteriores cuando trabaje con la herra-**

**mienta eléctrica al aire libre.** El riesgo de cortocircuito es menor si utiliza un cable alargador adecuado para exteriores.

- f) **Si no se puede evitar el uso de la herramienta eléctrica en un lugar húmedo, use suministro protegido mediante dispositivo diferencial residual (DDR).** El uso de un DDR reduce el riesgo de choque eléctrico.
  - h) **No permita que la familiaridad adquirida con el uso frecuente de las herramientas le haga confiarse e ignorar los principios de seguridad de las herramientas.** Una acción descuidada puede causar lesiones graves en una fracción de segundo.
- 3) Seguridad personal**
- a) **No se descuide, preste atención a lo que está haciendo y utilice el sentido común mientras trabaje con esta herramienta. No use herramientas eléctricas cuando esté cansado o esté bajo los efectos del alcohol, las drogas o los medicamentos.** Un momento de distracción, mientras utilice la herramienta eléctrica, puede provocar lesiones personales graves.
  - b) **Use equipo de protección individual. Use siempre gafas protectoras.** El uso en condiciones apropiadas del equipo de seguridad como por ejemplo: mascarilla antipolvo, zapatos antideslizantes de seguridad, casco o protección para los oídos, disminuye el riesgo de sufrir lesiones personales.
  - c) **Evite arranques involuntarios. Asegúrese de que el interruptor está en la posición de apagado antes de conectarlo a la fuente de electricidad.** Transportar herramientas eléctricas con el dedo puesto sobre el interruptor o enchufarlas con el interruptor encendido puede causar accidentes.
  - d) **Quite cualquier llave de ajuste antes de encender la herramienta eléctrica.** Una llave olvidada junto a una pieza móvil de la herramienta eléctrica puede provocar lesiones personales graves.
  - e) **No se estire demasiado. Mantenga siempre el equilibrio y tenga los pies en el suelo.** Esto permite un mayor control de la herramienta eléctrica en situaciones inesperadas.
  - f) **Vístase apropiadamente. No lleve prendas holgadas o joyas. Mantenga su pelo, ropa y guantes alejados de las piezas móviles.** Las prendas holgadas, las joyas y el pelo largo pueden quedar atrapados en las piezas móviles.
  - g) **Si se han suministrado dispositivos para la extracción y recogida de polvo asegúrese de**

**que estos estén conectados y se utilicen correctamente.** El uso de estos dispositivos puede reducir los riesgos relacionados con el polvo.

- h) **Mantenga las asas y las superficies de agarre secas, limpias y libres de aceite y grasa.** Las asas y las superficies de agarre resbaladizas no permiten un manejo y control seguros de la herramienta en situaciones inesperadas.
- 4) Utilización y cuidados de la herramienta eléctrica**
- a) **No fuerce la herramienta eléctrica. Utilice la herramienta eléctrica adecuada para el trabajo que vaya a realizar.** Una herramienta eléctrica apropiada realizará un trabajo mejor y más seguro si se utiliza para el objetivo con el que ha sido diseñada.
  - b) **No use herramientas que no pueden encenderse o apagarse con el interruptor.** Las herramientas que ya no se puedan encender y apagar son peligrosas y deben repararse.
  - c) **Desenchufe la clavija de la toma de electricidad antes de realizar modificaciones, cambiar accesorios o guardar las herramientas eléctricas.** Tales medidas de seguridad preventivas reducen el riesgo de la puesta en marcha accidental.
  - d) **Mantenga a los niños alejados de una herramienta eléctrica sin utilizar y no permita a personas que no estén familiarizadas con la máquina o estas instrucciones utilizar la herramienta.** La herramienta eléctrica puede ser peligrosa cuando la utilicen personas sin experiencia.
  - e) **Conserve sus herramientas cuidadosamente. Verifique cualquier desalineación o agarramiento de piezas móviles, piezas dañadas y cualquier otra causa, que pudiera repercutir en el buen funcionamiento de la herramienta eléctrica. Si la herramienta está estropeada, repárela antes de utilizarla.** Muchos de los accidentes están causados por un mantenimiento insuficiente del equipo eléctrico.
  - f) **Mantenga las herramientas de corte limpias y afiladas.** Sierras con esquinas cortantes con un buen mantenimiento se bloquean menos y son más fáciles de controlar.
  - g) **Utilice la herramienta eléctrica, accesorios y brocas etc. Siguiendo las instrucciones atendiendo al tipo de herramienta eléctrica y tenga en cuenta las condiciones de trabajo y el tipo de trabajo que se va a realizar.** Puede ser peligroso realizar trabajos con la herramienta diferentes de aquellos para los que está diseñada.

## 5) Servicio

- a) **Haga reparar su herramienta eléctrica por una persona cualificada, usando solo piezas de repuesto idénticas.** Esto garantiza que se mantenga la seguridad de la herramienta eléctrica.

## INSTRUCCIONES DE SEGURIDAD PARA SIERRAS DE CORTE - INSTRUCCIONES DE CORTE

1. Utilice siempre el filo (nunca el lateral) del disco para realizar el corte. Evite ejercer presión lateral sobre el disco, y en particular, evite provocar que se atasque.
2. Mantenga las manos y el cuerpo alejados del disco. Mientras corte con la máquina, no use ropa suelta que pueda quedar atrapada en la máquina.
3. Trate la sierra de corte con precaución, nunca la deje caer y guárdela siempre en un lugar seguro y seco. Evite condiciones con temperaturas extremas y humedad excesiva.
4. Asegúrese de que todas las bridas de los discos y demás piezas instaladas estén en buenas condiciones y montadas según las instrucciones. Si hay piezas dañadas o faltan piezas pueden provocarse daños en el disco. Utilice siempre las bridas suministradas con la máquina.
5. Nunca trabaje con discos dañados, ya que pueden resultar peligrosos. Cuando cambie el disco, apague la máquina en primer lugar. Gire el disco a mano e inspecciónelo en busca de irregularidades, dobleces o cortes. Si encuentra alguno de los defectos mencionados, extraiga el disco y reemplácelo por uno nuevo. Reemplace el disco si se le ha caído al suelo. Al caerse puede volverse quebradizo incluso si no es posible detectar daños visibles.
6. Antes de empezar a cortar, realice una prueba, es decir, retroceda, encienda el motor y asegúrese de que el disco funciona correctamente. Después de cambiar el disco, deje funcionar la sierra durante tres minutos; una vez transcurrido este tiempo y antes de realizar cualquier tarea rutinaria, déjela funcionar en modo prueba durante un minuto.
7. Nunca trate de retirar o sujetar una pieza de trabajo en la máquina con la sierra en funcionamiento. Espere siempre hasta que el disco pare de dar vueltas totalmente antes de retirar cualquier pieza de trabajo o de cambiar la configuración.
8. Antes de instalar el disco, inspeccione siempre la resina y el disco tratado con caucho para cortar.
9. Compruebe siempre la velocidad máxima de funcionamiento de la sierra de corte con la velocidad máxima permitida del motor. Nunca exceda la velocidad de funcionamiento máxima permitida indicada en el disco.
10. Nunca trate de montar un disco en la máquina a la fuerza ni modifique el tamaño de los ejes. Nunca utilice discos que no encajen suavemente en la máquina. Utilice únicamente discos válidos para la máquina.
11. No intente colocar hojas de la sierra en la máquina, puesto que no está diseñada para cortar madera.
12. No comience a cortar hasta que el motor haya alcanzado la velocidad máxima.
13. Si durante el funcionamiento de la máquina el disco dejase de girar o el motor suena sobrecargado, apague la máquina inmediatamente.
14. Mantenga los objetos altamente inflamables o frágiles alejados de la máquina. El usuario de la máquina debe evitar que sus manos, su cara o sus pies entren en contacto con las chispas que provoca el corte.
15. Coloque la máquina de forma estable sobre una superficie plana y uniforme.
16. Utilice la máquina únicamente con el voltaje indicado en la placa de características.
17. Nunca toque una pieza de trabajo que acaba de cortar, primero espere a que enfríe.
18. Nunca intente cortar piezas que excedan el tamaño permitido.
19. Durante el corte, nunca se coloque en la dirección de corte. Colóquese siempre a un lado.
20. Deje siempre los dispositivos de seguridad instalados.
21. Asegúrese en todo momento de cortar lenta y cuidadosamente. Evite aplicar el disco a la pieza de trabajo realizando un movimiento brusco.
22. Nunca empuje la pieza de trabajo hacia el disco mientras la sostiene con las manos. Utilice siempre la abrazadera para sujetar la pieza de trabajo.
23. Mantenga en todo momento las manos alejadas del disco de corte. Nunca corte piezas de trabajo que deba sujetar manualmente a una distancia inferior a 15 cm del disco giratorio.
24. Asegúrese de que la pieza de trabajo esté correctamente sujeta.
25. Nunca utilice fluidos de corte. Estos fluidos podrían encenderse o causar descargas eléctricas.

26. No corte materiales de hierro fundido.  
 27. No corte plásticos, madera o materiales sintéticos.  
 28. No corte magnesio.

### Seguridad eléctrica



*Compruebe siempre que la tensión del suministro eléctrico corresponda con la tensión de la placa de características.*

- No utilice la máquina si el cable o el enchufe eléctrico han sufrido daños.
- Utilice únicamente cables alargadores que sean adecuados para la potencia nominal de la máquina con un grosor mínimo de 1.5 mm<sup>2</sup>. Si utiliza un cable alargador en rollo, desenrolle totalmente el cable.

## 2. INFORMACIÓN DE LA MÁQUINA

### Uso previsto

Esta sierra de corte se ha diseñado para cortar materiales de acero de diversas formas.

### ESPECIFICACIONES TÉCNICAS

Modelo n.º	CS505AC
Alimentación de red	220V-240V~
Frecuencia de alimentación	50/60Hz
Potencia de entrada	2.300 W
Velocidad nominal	4300/min
Potencia de sierra	∅ 355mm x ∅ 25.4mm
Presión sonora L <sub>PA</sub>	92 dB(A) K=3
Potencia acústica L <sub>WA</sub>	105 dB(A) K=3
Vibración a <sub>h, AG</sub>	2.90+1.5 m/s <sup>2</sup>
Peso	15.8kg
Capacidad máxima de corte a 90°	
- Rectangular	115mm x 125mm
- Forma en L	135mm x 135mm
- Circular	∅ 125mm
Capacidad máxima de corte a 45°	
- Rectangular	110mm x 102mm
- Forma en L	110mm x 110mm
- Circular	∅ 110mm

### Nivel de vibración

El nivel de emisión de vibraciones indicado en este manual de instrucciones ha sido medido según una prueba estándar proporcionada en EN 62841 puede utilizarse para comparar una herramienta con otra y como valoración preliminar de la exposición a las vibraciones al utilizar la herramienta con las aplicaciones mencionadas.

- al utilizarla para distintas aplicaciones o con accesorios diferentes o con un mantenimiento deficiente, podría aumentar de forma notable el nivel de exposición.
- en las ocasiones en que se apaga la herramienta o cuando está funcionando pero no está realizando ningún trabajo, se podría reducir el nivel de exposición de forma importante.

Protéjase contra los efectos de la vibración realizando el mantenimiento de la herramienta y sus accesorios, manteniendo sus manos calientes y organizando sus patrones de trabajo.

### DESCRIPCIÓN

Los números del texto se refieren a los diagramas de las páginas 2-5.

1. Protección de seguridad superior
2. Protección de seguridad extraíble
3. Disco de corte
4. Deflector de chispa
5. Abrazadera de la pieza de trabajo
6. Empuñadura
- 7a. Interruptor de Encendido/Apagado
- 7b. Botón de desbloqueo
8. Tapa de la escobilla de carbón
9. Botón de bloqueo del husillo
- 10A. Perno de tope de profundidad
- 10B. Tuerca de tope de profundidad
11. Pasador de bloqueo de transporte
12. Abrazadera trasera de la pieza de trabajo
13. Abrazadera frontal de la pieza de trabajo
14. Palanca del tope
15. Husillo de la pieza de trabajo
16. Llave de intercambio de disco
17. Husillo de la máquina
18. Arandela interior grande
19. Arandela exterior grande
20. Arandela pequeña
21. Perno del disco

### 3. FUNCIONAMIENTO



Antes de cambiar las cuchillas o de ajustar la máquina, desenchufe siempre en primer lugar el cable de alimentación de la toma de pared.

#### Extracción del bloqueo de transporte (Fig. B)

La máquina incluye un pasador de bloqueo de transporte (11) que mantiene su posición baja y facilita el transporte del dispositivo y su almacenamiento.

El botón de bloqueo bloquea el movimiento ascendente y descendente de la sierra. Dicho bloqueo debe ser desactivado antes de utilizar la sierra.

- Retire la bloqueo de transporte empujando un poco la máquina hacia abajo. Mientras empuja hacia abajo, puede extraer con la otra mano el pasador de bloqueo de transporte (11).
- Después de extraer el pasador (11), la máquina puede moverse libremente hacia arriba y hacia abajo.

#### Activación del bloqueo de transporte (Fig. B)

- Presione la máquina hasta su posición más baja.
- A continuación, empuje el pasador de bloqueo de transporte (11) hasta que se deslice en su lugar.

#### Añadir/retirar un disco de corte (Fig. A, B y C)



Desconecte siempre el enchufe de alimentación antes de proceder con el cambio de discos.



Al cambiar los discos, verifique siempre las instrucciones de seguridad relacionadas.

#### Extracción de un disco de corte

- Extraiga la llave del disco (16) de la base de la máquina.
- La extracción del disco es más fácil si se mueve hacia arriba el protector de seguridad móvil (2).
- Presione el botón de bloqueo del husillo (9) para bloquear el movimiento del husillo de la máquina.
- Mantenga presionado el botón de bloqueo del eje (9). Coloque la llave (16) en el perno del disco y gírelo ligeramente hasta que el botón (9) quede hacia abajo del todo y bloquee la rotación del cabezal.
- Retire el perno (21), la arandela pequeña (20) y la arandela exterior grande (19)
- A continuación, retire el disco de corte (3).

#### Colocación de un disco de corte

- En caso de que no lo haya hecho todavía, quite el perno (21) girándolo en sentido contrario a las agujas del reloj, y luego quite la arandela pequeña (20) y la arandela exterior grande (19).
- Coloque el disco de corte (3) sobre el husillo de la máquina.
- Coloque primero la arandela exterior grande (19), luego la arandela pequeña (20) y luego el perno de fijación (21), tal y como se muestra en la Figura C, y apriete con la mano hasta que el husillo empiece a girar.
- Presione el botón de bloqueo del husillo (9) para bloquear el movimiento del husillo de la máquina.
- Mantenga presionado el botón de bloqueo del eje (9). Coloque la llave (16) sobre el perno del disco y gírelo ligeramente en el sentido de las agujas del reloj.
- Cuando el bloqueo del husillo bloquee la rotación, apriete el perno del disco utilizando la llave (16).
- Afloje el botón de bloqueo del husillo y asegúrese de que el botón de bloqueo del husillo ya no esté bloqueando el eje.

#### A continuación, compruebe si la rueda está instalada correctamente:

- Gire el disco (3) a mano unas cuantas vueltas para comprobar si gira libremente y si está bien alineado.
- Encienda la máquina y deje que la máquina funcione durante al menos 3 minutos.

#### Encendido y apagado de la máquina (Fig. B)

- Para encender la máquina, mantenga pulsado el botón de desbloqueo (7b) y pulse el interruptor de Encendido/Apagado (7a).
- Para parar la máquina, suelte el interruptor de encendido/apagado (7a).

#### Abrazadera de la pieza de trabajo (5) (Fig. A, B y D)

- Coloque el material de la pieza de trabajo entre la abrazadera delantera (13) y la abrazadera trasera (12).
- Levante el tope (14) como se muestra en la Fig. D. y gire el mango del tornillo (15) hacia delante hasta que la abrazadera delantera (13) entre en contacto con la pieza de trabajo.
- A continuación, mueva el tope (14) hacia abajo (para bloquear el husillo) y fije con seguridad la pieza de trabajo girando el mango del tornillo (15).

**Corte en ángulos (Fig. E)**

La máquina permite cortar en ángulos de 0° a 45° ajustando la abrazadera trasera (12).

- Afloje los 2 pernos de cabeza hexagonal M10 (22 y 23) que sujetan la abrazadera trasera (12) hasta que se pueda mover el tornillo.
- A continuación, coloque la abrazadera trasera (12) utilizando el ángulo que desee y apriete ambos tornillos (22 y 23) de nuevo.

**Desplazamiento del tornillo trasero (para cortar piezas de trabajo más grandes) (Fig. F)**

Tal y como se envía de fábrica, el tornillo permite trabajar con piezas de trabajo de 160 mm de tamaño. El tornillo se puede ajustar en la parte trasera para poder trabajar con piezas de trabajo de 195 mm, tal y como se muestra en la imagen de la derecha (Fig. F).

- Afloje completamente los 2 pernos hexagonales M10 (22 y 23) de la abrazadera trasera (12).
- Mueva la abrazadera (12) hacia atrás y vuelva a fijar los pernos (22 y 23) en los orificios de conexión traseros.

**Ajuste del tope de profundidad (Fig. B)**

La máquina está equipada con un perno de tope de profundidad, con este perno se puede ajustar la profundidad de corte máxima.

- Si es necesario ajustar la profundidad de corte, afloje la tuerca inferior (10B) y luego ajuste la configuración de profundidad girando el perno superior (10A) a la posición deseada.
- Luego vuelva a fijar la tuerca inferior (10B).

**Procedimiento de corte**

Para cortar el material, siga siempre el procedimiento indicado a continuación:

- Asegúrese de que la pieza de trabajo esté firmemente apoyada y sujeta con la abrazadera bien antes de poner en marcha la máquina.
- Ponga la máquina en marcha a la velocidad más alta y deje que la máquina funcione durante un tiempo hasta que alcance la máxima velocidad.
- Asegúrese de que la cuchilla gire libremente y sin vibraciones.
- Baje suavemente la máquina hasta que entre en contacto con el material.
- Mantenga presionando el mango ejerciendo poca fuerza, asegúrese de que la velocidad de la cuchilla no disminuya.

- Suelte el interruptor de encendido/apagado después de cortar y mueva suavemente la máquina.
- Espere a que el disco de corte haya dejado de funcionar completamente para retirar la pieza.



*No aplique fuerza excesiva en el mango al cortar, la cuchilla y la máquina se desgastarán más rápido y no dará nunca como resultado un corte más rápido.*

**Inspección y sustitución de los cepillos de carbón**

El motor tiene 2 cepillos de carbón que se desgastan con el uso. Es importante comprobar el estado de los cepillos de carbón, un cepillo de carbón desgastado puede resultar en un mal rendimiento de la sierra y causar daños en el motor.

**Extracción de los cepillos de carbón (Fig. B)**

- Asegúrese de haber desenchufado el enchufe de la toma de pared.
- Retire la cubierta del cepillo de carbón (8).
- Retire los cepillos de carbón tirando suavemente del resorte.
- Compruebe el desgaste en el bloque de cepillo, cuando sea inferior a 6 mm, el cepillo de carbón está gastado y debe cambiarse de inmediato.
- Repita el mismo procedimiento en el otro lado.

**Instalar de nuevo los cepillos de carbón (Fig. B)**

- Asegúrese de haber desenchufado el enchufe de la toma de pared.
- Introduzca los cepillos de carbón y coloque el resorte en su lugar.
- Añada la tapa del cepillo de carbón (8) mientras mantiene presionado el muelle y gire la tapa en el sentido de las agujas del reloj.
- Después de haber instalado de nuevo los dos cepillos de carbón, compruebe si la máquina funciona correctamente sin chispas.



*Reemplace siempre ambos cepillos de carbón, nunca uno solamente.*

**4. MANTENIMIENTO**

*Desconecte siempre la máquina de la red eléctrica principal antes de realizar cualquier trabajo de mantenimiento.*

Limpie regularmente la carcasa de la máquina con un paño suave, preferentemente después de cada uso. Compruebe que los orificios de ventilación estén libres de polvo y suciedad. Elimine el polvo persistente utilizando un paño suave humedecido con agua y jabón. No use disolventes tales como gasolina, alcohol, amoníaco, etc. Tales productos químicos pueden dañar los componentes sintéticos.

citadas aquí, incluidas las garantías implícitas de comerciabilidad e idoneidad para una finalidad en especial. VONROC no será considerada responsable en ningún caso por daños incidentales o consecuentes. Los recursos a disposición de los distribuidores se limitan a la reparación o a la sustitución de las unidades o piezas no conformes.

## MEDIOAMBIENTE



*Los aparatos eléctricos o electrónicos defectuosos y/o desechados deben recogerse en lugares de reciclado apropiado.*

### Solo para países de la Comunidad Europea

No elimine las herramientas eléctricas como residuos domésticos. De acuerdo con la Directiva europea 2012/19/CE sobre residuos de aparatos eléctricos y electrónicos, y su transposición a las legislaciones nacionales, las herramientas eléctricas que ya no se utilizan deben recogerse por separado y eliminarse en modo ecológico.

**El producto y el manual de usuario están sujetos a variaciones. Las especificaciones pueden variarse sin previo aviso.**

## CONDICIONES DE GARANTÍA

Los productos VONROC han sido desarrollados con los más altos estándares de calidad y VONROC garantiza que están exentos de defectos relacionados con los materiales y la fabricación durante el periodo legalmente estipulado, a contar desde la fecha de compra original. En caso de que el producto presente defectos relacionados con los materiales y/o la fabricación durante este periodo, póngase directamente en contacto VONROC.

La presente garantía se excluye en los siguientes casos:

- Si centros de servicios no autorizados han realizado o han intentado realizar reparaciones y/o alteraciones a la máquina.
- Si se ha producido un desgaste normal.
- Si la herramienta ha sido mal tratada o usada en modo impropio, o se ha realizado incorrectamente su mantenimiento.
- Si se han utilizado piezas de repuesto no originales.

La presente constituye la única garantía implícita y explícita que ofrece la compañía. No existen otras garantías explícitas o implícitas que excedan las

## 1. ISTRUZIONI DI SICUREZZA

Leggere accuratamente gli avvisi di sicurezza, gli avvisi di sicurezza aggiuntivi e le istruzioni. La mancata osservanza degli avvisi di sicurezza e delle istruzioni potrebbe causare scosse elettriche, incendio e/o gravi lesioni. Mantenere gli avvisi di sicurezza e le istruzioni a portata di mano per future consultazioni.

I seguenti simboli sono utilizzati nel presente manuale utente o sul prodotto:



*Leggere il manuale per l'utente.*



*Denota il rischio di lesioni personali, morte o danni all'utensile in caso di mancata osservanza delle istruzioni contenute nel presente manuale.*



*Rischio di scosse elettriche.*



*Disconnettere immediatamente la spina di alimentazione dalla rete elettrica qualora il cavo di alimentazione risulti danneggiato e durante ogni operazione di pulizia e manutenzione.*



*Solo per uso interno.*



*Apparecchio di Classe II - Doppio isolamento - Non è necessario il collegamento a terra.*



*Indossare sempre occhiali protettivi.*



*Indossare protezioni per l'udito.*



*Indossare guanti di protezione.*



*Rischio di oggetti volanti. Tenere lontano chiunque si trovi nelle vicinanze dall'area di lavoro.*



*Non smaltire il prodotto in contenitori non idonei.*



*Il prodotto è conforme alle norme di sicurezza applicabili ai sensi delle direttive europee vigenti.*

## REGOLE GENERALI DI SICUREZZA



**ATTENZIONE! Leggere tutte le avvertenze di sicurezza e tutte le istruzioni.** Se non si seguono tutte le istruzioni sotto elencate, si può incorrere in uno shock elettrico, in un incendio e/o in lesioni serie.

### Conservare queste istruzioni.

Il termine "arnese elettrico" in tutti gli avvertimenti sotto elencati si riferisce al vostro arnese elettrico che funziona a corrente (con filo) o ad un arnese che funziona a pile (senza filo).

#### 1) Area di lavoro

- a) **Mantenere l'area di lavoro pulita e ben illuminata.** Aree buie e disordinate favoriscono gli incidenti.
- b) **Non usare arnesi elettrici in atmosfere esplosive, come vicino ai liquidi infiammabili, gas o polveri.** Gli arnesi elettrici creano scintille che possono incendiare la polvere dei vapori.
- c) **Tenere lontani bambini e altre persone mentre si accende l'arnese elettrico.** Le distrazioni possono farvi perdere il controllo.

#### 2) Sicurezza elettrica

- a) **Le spine dell'arnese elettrico devono andare bene per la presa di corrente. Non modificare mai la spina in alcun modo. Non usare alcun adattatore con arnesi elettrici a terra (messo a terra).** Spine non modificate che vanno bene per le prese di corrente ridurranno il rischio di shock elettrico.
- b) **Evitare il contatto corporeo con superfici a terra come tubature, radiatori, fornelli e refrigeratori.** C'è un rischio maggiore di shock elettrico se il vostro corpo è a terra.
- c) **Non esporre arnesi elettrici alla pioggia o a condizioni di umidità.** Se dell'acqua penetra nell'arnese elettrico aumenterà il rischio di shock elettrico.
- d) **Non abusare del filo. Non usare mai il filo per trasportare, spingere o staccare dalla presa l'arnese elettrico. Tenere il filo lontano da calore, olio, bordi taglienti o parti mobili.** Fili danneggiati o aggrovigliati aumentano il rischio di shock elettrico.
- e) **Quando si accende un arnese elettrico all'aperto, usare una prolunga adatta a tale uso.** Usare un filo adatto all'uso all'aperto ridurrà il rischio di shock elettrico.
- f) **Se non è possibile evitare l'uso di un elettro-utensile in ambiente umido, usare una**



**rete di alimentazione protetta da un interruttore differenziale (salvavita).** L'uso di un salvavita riduce il rischio di scosse elettriche.

### 3) Sicurezza personale

- a) **Stare vigili e attento quando si accende un arnese elettrico. Non usare un arnese elettrico mentre si è stanco o sotto l'effetto di droghe, alcool o medicinali.** Un momento di disattenzione mentre si accendono arnesi elettrici può causare delle gravi lesioni personali.
- b) **Usare dispositivi di protezione individuale. Indossare sempre una protezione per gli occhi.** Dispositivi di sicurezza come mascherina per la polvere, scarpe di sicurezza antiscivolo, casco, o protezioni per le orecchie usate nelle appropriate condizioni, ridurranno le lesioni personali.
- c) **Prevenire l'avvio accidentale. Assicurarsi che l'interruttore sia spento prima di collegarsi.** Trasportare elettrotensili tenendo il dito sull'interruttore di accensione o dare corrente ad elettrotensili con l'interruttore acceso può dare luogo a incidenti.
- d) **Rimuovere ogni chiave regolatrice o chiave per dadi prima di accendere l'arnese elettrico.** Una chiave per dadi o una chiave lasciata attaccata ad una parte rotante dell'arnese elettrico può provocare lesioni personali.
- e) **Cercare di mantenere l'equilibrio. Mantenere sempre un punto d'appoggio appropriato.** Questo consente un controllo migliore dell'arnese elettrico in situazioni inaspettate.
- f) **Vestirsi adeguatamente. Non indossare vestiti larghi o gioielli. Tenere lontano capelli, vestiti e guanti dalle parti mobili.** Vestiti larghi, gioielli o capelli lunghi possono essere presi nelle parti mobili.
- g) **Se vengono forniti dispositivi per la connessione dell'estrazione della polvere e attrezzature di raccolta, assicurarsi che questi siano collegati e usati correttamente.** L'uso di questi dispositivi può ridurre i rischi correlati alla polvere.
- h) **Non lasciare che la confidenza acquisita dall'uso frequente induca l'utilizzatore ad assumere comportamenti imprudenti e a ignorare i principi di sicurezza per l'utensile.** Una semplice distrazione può provocare gravi lesioni personali in una frazione di secondo.

### 4) Uso e manutenzione dell'arnese elettrico

- a) **Non forzare l'arnese elettrico. Usare l'arnese elettrico corretto per il vostro impiego.** L'arnese elettrico corretto farà il lavoro meglio e in maniera più sicura alla velocità per la quale è stato progettato.
  - b) **Non usare l'arnese elettrico se l'interruttore non si accende o non si spegne.** Ogni arnese elettrico che non può essere controllato con l'interruttore è pericoloso e deve essere riparato.
  - c) **Scollegare la spina dalla sorgente di elettricità prima di fare qualsiasi regolazione, cambiare gli accessori, o conservare arnesi elettrici.** Tali misure di sicurezza preventive riducono il rischio di accendere l'arnese elettrico accidentalmente.
  - d) **Conservare gli arnesi elettrici inattivi fuori dalla portata dei bambini e non permettere a persone che non hanno confidenza con l'arnese elettrico o con queste istruzioni di usare l'arnese elettrico.** Gli arnesi elettrici sono pericolosi per utenti inesperti.
  - e) **Mantenere gli arnesi elettrici. Controllare il non allineamento o l'attacco di parti mobili, la rottura di parti ed ogni altra condizione che può influire sul funzionamento degli arnesi elettrici. Se è danneggiato, far riparare l'arnese elettrico prima dell'uso.** Molti incidenti sono causati da arnesi elettrici mantenuti male.
  - f) **Mantenere gli arnesi da taglio affilati e puliti.** È meno probabile che si attacchino degli arnesi da taglio mantenuti correttamente con tagli affilate e questi sono anche più facili da controllare.
  - g) **Usare l'arnese elettrico, gli accessori e le parti dell'arnese ecc, secondo queste istruzioni e nel modo pensato per il particolare tipo di arnese elettrico, tenendo conto delle condizioni di lavoro e del lavoro da svolgere.** L'uso dell'arnese elettrico per operazioni diverse da quelle pensate potrebbe causare situazioni pericolose.
  - h) **Mantenere le impugnature e le superfici di presa asciutte, pulite e libere da olio e grasso.** Impugnature e superfici di presa scivolose non consentono di maneggiare e controllare in sicurezza l'utensile in situazioni impreviste.
- ### 5) Riparazione
- a) **L'assistenza per l'elettrotensile deve essere prestata da un tecnico qualificato che utilizzi soltanto ricambi originali.** In questo modo viene garantita la sicurezza dell'elettrotensile.

## **ISTRUZIONI DI SICUREZZA PER LE TRONCATRICI A DISCO ABRASIVO - ISTRUZIONI PER IL TAGLIO**

1. Per eseguire un taglio utilizzare sempre solo il bordo tagliente (mai il lato) del disco. Evitare di esercitare una pressione laterale sul disco, e in particolare di farlo inceppare.
2. Tenere le mani e il corpo lontano dal disco di taglio. Mentre si esegue un taglio con la macchina, non indossare indumenti larghi che potrebbero rimanervi impigliati.
3. Trattare la troncatrice a disco abrasivo con cura, senza farla mai cadere, e conservarla sempre in un luogo asciutto e sicuro. Evitare di esporre la macchina a temperature e umidità eccessive.
4. Assicurarsi che tutte le flange del disco e le altre parti montate siano in buone condizioni e assemblate secondo le istruzioni. Eventuali parti danneggiate o mancanti possono provocare il danneggiamento del disco. Utilizzare sempre le flange fornite con la macchina.
5. Non lavorare mai con dischi danneggiati, perché può essere pericoloso. Quando si sostituisce il disco, spegnere prima la macchina. Ruotare il disco manualmente e controllare che non presenti irregolarità, torsioni o tagli. In presenza di tali difetti, rimuovere il disco e sostituirlo con uno nuovo. Sostituire il disco anche se dovesse cadere sul pavimento. Potrebbe essere diventato fragile anche se non presenta alcun danno apparente.
6. Prima di iniziare a tagliare, eseguire una prova di funzionamento: fare un passo indietro, accendere il motore e assicurarsi che il disco funzioni correttamente. Dopo la sostituzione del disco, lasciare in funzione la troncatrice a vuoto per tre minuti, dopodiché prima di svolgere qualsiasi lavoro di routine, eseguire una prova di funzionamento per un minuto.
7. Mentre la macchina è in funzione, non tentare mai di rimuovere o bloccare il pezzo in lavorazione. Attendere sempre che il disco si arresti completamente prima di rimuovere qualsiasi pezzo o modificare le impostazioni.
8. Prima di installarlo, ispezionare sempre il disco rinforzato con resina e gomma per verificare che non presenti dei tagli.
9. Effettuare sempre una verifica incrociata tra la velocità operativa massima della troncatrice a disco abrasivo e la velocità massima del motore consentita. Non superare mai la velocità operativa massima consentita indicata sul disco.
10. Non tentare mai di montare un disco sulla macchina in maniera forzata, né di modificare la dimensione degli assi. Non usare mai dischi non adatti. Usare esclusivamente dischi adeguati alla macchina.
11. Non tentare di fissare lame da sega alla macchina, perché essa non è concepita per tagliare il legno.
12. Non iniziare a tagliare fino a quando il motore non avrà raggiunto il suo pieno regime.
13. Nel caso in cui durante l'uso della macchina, il disco smetta di girare o il motore emetta un rumore indice di un sovraccarico, spegnere immediatamente la macchina.
14. Tenere gli oggetti facilmente infiammabili o fragili lontano dalla macchina. L'operatore della macchina deve evitare che le proprie mani, il viso e i piedi vengano a contatto con le scintille che si sprigionano durante il taglio.
15. Posizionare saldamente la macchina su una superficie piana e uniforme.
16. Azionare la macchina utilizzando esclusivamente la tensione di alimentazione indicata sulla targhetta dei valori nominali.
17. Non toccare mai un pezzo appena tagliato. Lasciarlo sempre prima raffreddare.
18. Non tentare mai di tagliare pezzi che superino le dimensioni consentite.
19. Mentre si esegue un taglio, non posizionarsi mai nella direzione di taglio. Rimanere sempre da un lato.
20. Lasciare sempre installati i dispositivi di sicurezza.
21. Assicurarsi sempre di eseguire i tagli lentamente e con attenzione. Evitare di applicare il disco sul pezzo in lavorazione con un movimento a strappi.
22. Non spingere mai il pezzo in lavorazione nella direzione del disco tenendolo fermo con le mani. Usare sempre la morsa per bloccare il pezzo in lavorazione.
23. Tenere le mani lontane dal disco di taglio. Non tagliare mai pezzi in cui è richiesto un supporto manuale a una distanza inferiore di 15 cm dal disco che gira.
24. Assicurarsi che il pezzo in lavorazione sia sostenuto in modo adeguato.
25. Non usare mai fluidi da taglio. Tali fluidi potrebbero incendiarsi o provocare una scarica elettrica.
26. Non tagliare pezzi in ghisa.

27. Non tagliare pezzi in plastica, legno o materiali sintetici.

28. Non tagliare pezzi in magnesio.

### Sicurezza elettrica



*Controllare sempre che la tensione di alimentazione corrisponda alla tensione indicata sulla targhetta delle caratteristiche.*

- Non utilizzare l'elettrotensile quando il cavo o la spina di alimentazione sono danneggiati.
- Utilizzare esclusivamente cavi di prolunga idonei per la potenza nominale dell'elettrotensile, con conduttori di sezione minima di 1.5 mm<sup>2</sup>. Quando si utilizza un cavo di prolunga con avvolgicavo, svolgere sempre completamente il cavo.

## 2. INFORMAZIONI RELATIVE ALL'ELETTROTENSILE

### Uso previsto

La troncatrice a disco abrasivo è stata concepita per tagliare pezzi in acciaio di varie forme.

### DATI TECNICI

Modello n.º	CS505AC
Tensione di rete	220V-240V~
Frequenza di rete	50/60Hz
Potenza assorbita	2.300 W
Velocità nominale	4300/min
Dimensi lama di sega	Ø 355mm x Ø 25.4mm
Pressione sonora L <sub>PA</sub>	92 dB(A) K=3
Potenza sonora L <sub>WA</sub>	105 dB(A) K=3
Vibrazioni a <sub>h, AG</sub>	2.90+1.5 m/s <sup>2</sup>
Peso	15.8kg
Capacità di taglio massima a 90°	
- Forma rettangolare	115mm x 125mm
- Forma a L	135mm x 135mm
- Forma circolare	Ø 125mm
Capacità di taglio massima a 45°	
- Forma rettangolare	110mm x 102mm
- Forma a L	110mm x 110mm
- Forma circolare	Ø 110mm

### Livello delle vibrazioni

Il livello di emissione delle vibrazioni indicato sul retro di questo manuale di istruzioni è stato misurato in conformità a un test standardizzato stabilito dalla norma EN 62841 questo valore può essere utilizzato per mettere a confronto un l'utensile con un altro o come valutazione preliminare di esposizione alla vibrazione quando si impiega l'utensile per le applicazioni menzionate.

- se si utilizza l'utensile per applicazioni diverse, oppure con accessori differenti o in scarse condizioni, il livello di esposizione potrebbe aumentare notevolmente.
- i momenti in cui l'utensile è spento oppure è in funzione ma non viene effettivamente utilizzato per il lavoro, possono contribuire a ridurre il livello di esposizione.

Proteggersi dagli effetti della vibrazione effettuando la manutenzione dell'utensile e dei relativi accessori, mantenendo le mani calde e organizzando i metodi di lavoro.

### DESCRIZIONE

I numeri che compaiono nel testo si riferiscono agli schemi riportati alle pagine 2-5.

1. Protezione superiore
2. Protezione mobile
3. Disco di taglio
4. Parascintille
5. Morsa di bloccaggio del pezzo in lavorazione
6. Impugnatura del manico
- 7a. Interruttore di accensione/ spegnimento (On/Off)
- 7b. Pulsante di sicurezza
8. Coperchio spazzole in carbonio
9. Pulsante di blocco mandrino
- 10A. Bullone del fermo di profondità
- 10B. Dado del fermo di profondità
11. Perno di blocco per trasporto
12. Ganascia posteriore di bloccaggio pezzo in lavorazione
13. Ganascia anteriore di bloccaggio pezzo in lavorazione
14. Leva del fermo
15. Vite morsa
16. Chiave per sostituzione disco
17. Alberino della macchina
18. Rondella grande interna
19. Rondella grande esterna

- 20. Rondella piccola
- 21. Bullone di fissaggio del disco

### 3. UTILIZZO



*Prima di cambiare le lame o di registrare la macchina, staccare la spina dalla presa di corrente.*

#### Rimozione del blocco per trasporto (Fig. B)

La troncatrice è dotata di un perno di blocco per il trasporto (11) che la mantiene ferma in posizione abbassata, agevolandone il trasporto e lo stoccaggio. Il pulsante di blocco impedisce il movimento verso l'alto/il basso della troncatrice e deve essere disattivato prima di utilizzarla.

- Rimuovere il blocco per trasporto premendo leggermente la macchina verso il basso. Mentre si preme in giù la macchina, è possibile estrarre il perno di blocco per trasporto (11) con l'altra mano.
- Una volta estratto il perno (11), la troncatrice può muoversi verso l'alto o verso il basso liberamente.

#### Attivazione del blocco per trasporto (Fig. B)

- Premere in giù la macchina, fino alla sua posizione più bassa.
- Quindi premere il perno di blocco per trasporto (11) fino a quando scorre in posizione.

#### Aggiunta/rimozione di un disco di taglio

(Fig. A, B e C)



*Prima di sostituire i dischi, staccare la spina dalla presa di corrente.*



*Quando si sostituiscono i dischi verificare sempre le istruzioni di sicurezza correlate.*

#### Rimozione di un disco di taglio

- Prendere la chiave per il disco (16) dalla base della macchina.
- La rimozione del disco è più semplice se la protezione mobile (2) viene sollevata.
- Premere il pulsante di bloccaggio dell'alberino (9) per bloccare il movimento dell'alberino della macchina.
- Tenere premuto il pulsante di bloccaggio dell'alberino (9). Posizionare la chiave (16) sul bullone del disco e ruotarlo leggermente finché il pulsante (9) è premuto al massimo verso l'interno e la rotazione dell'alberino è bloccata.

- Rimuovere il bullone (21), la rondella piccola (20) e la rondella grande più esterna (19).
- Quindi rimuovere il disco di taglio (3).

#### Montaggio di un disco di taglio

- Se non dovesse ancora essere stato fatto, rimuovere il bullone di fissaggio (21) ruotandolo in senso antiorario, quindi rimuovere la la rondella piccola (20) e la rondella grande più esterna (19).
- Collocare il disco di taglio (3) sull'alberino della macchina.
- Inserire per prima la rondella grande più esterna (19), quindi la rondella piccola (20) e infine il bullone di fissaggio (21), come illustrato nella Fig. C, quindi stringerlo manualmente fino a quando l'alberino inizia a girare.
- Premere il pulsante di bloccaggio dell'alberino (9) per bloccare il movimento dell'alberino della macchina.
- Tenere premuto il pulsante di bloccaggio dell'alberino (9). Posizionare la chiave (16) sul bullone di fissaggio del disco e ruotarlo leggermente in senso orario.
- Se il blocco dell'alberino ferma la rotazione, stringere il bullone di fissaggio del disco utilizzando la chiave (16).
- Allentare il pulsante di bloccaggio dell'alberino e assicurarsi che non fermi più la rotazione.

#### Quindi verificare che il disco sia assemblato correttamente:

- Fare compiere alcuni giri al disco (3) manualmente per controllare che ruoti liberamente e sia ben allineato;
- Accendere la macchina e lasciarla in funzione a vuoto per almeno 3 minuti.

#### Accensione e spegnimento della macchina (fig. B)

- Per accendere la macchina tenere premuto il pulsante di sicurezza (7b), quindi premere l'interruttore di accensione/spegnimento (7a).
- Per arrestare la macchina rilasciare l'interruttore di accensione/spegnimento (7a).

#### Morsa di bloccaggio del pezzo in lavorazione (5) (Fig. A, B e D)

- Collocare il pezzo in lavorazione tra la ganaschia anteriore (13) e la ganaschia posteriore (12).
- Sollevare il fermo (14) come illustrato nella Fig. D. e ruotare in avanti la manovella della vite (15) fino a quando la ganaschia anteriore (13) tocca il pezzo

in lavorazione.

- Successivamente abbassare il fermo (14) (per bloccare l'alberino) e fissare saldamente il pezzo in lavorazione, ruotando la manovella della vite (15).

### Taglio angolato (Fig. E)

La macchina permette di eseguire tagli con angoli da 0° a 45° regolando la posizione della ganascia posteriore della morsa (12).

- Allentare i 2 bulloni a testa esagonale M10 (22 e 23) che trattengono la ganascia posteriore (12) fino a quando è possibile spostarla.
- Ruotare la ganascia posteriore (12) secondo l'angolo desiderato e stringere nuovamente entrambi i bulloni (22 e 23).

### Spostamento della ganascia posteriore (per tagliare pezzi più grandi) (Fig. F)

La morsa consente di bloccare pezzi da tagliare di grandi dimensioni fino a 160 mm quando viene spedita dalla fabbrica. Essa consente di spostare indietro il morsetto posteriore per consentire il bloccaggio di pezzi di 195 mm, come illustrato nell'immagine a destra (Fig. F).

- Allentare completamente i 2 bulloni a testa esagonale M10 (22 e 23) sulla ganascia posteriore (12).
- Spostare indietro la ganascia posteriore (12) e stringere nuovamente i bulloni (22 & 23) fissandoli ai fori di collegamento posteriori.

### Regolazione del fermo di profondità (Fig. B)

La macchina è dotata di un bullone di fermo profondità, con cui è possibile regolare la profondità di taglio massima.

- Se la profondità di taglio deve essere regolata, allentare il dado inferiore (10B) e regolare la profondità ruotando il bullone superiore (10A) nella posizione desiderata.
- Una volta regolata la profondità stringere di nuovo il dado inferiore (10B).

### Procedura di taglio

Per tagliare il materiale attendersi sempre alla procedura descritta di seguito:

- Prima di avviare la macchina, assicurarsi che il pezzo da lavorare sia fissato nella morsa e saldamente sostenuto.
- Avviare la macchina con la testa alzata e farla funzionare a vuoto per qualche istante, finché

raggiunge la velocità massima.

- Assicurarsi che la lama ruoti liberamente, senza vibrazioni.
- Abbassare delicatamente la testa della macchina fino a quando la lama tocca il pezzo in lavorazione.
- Tenere premuta l'impugnatura esercitando poca forza e assicurandosi che la velocità della lama non si riduca.
- Una volta eseguito il taglio, rilasciare l'interruttore On/Off e sollevare la testa della macchina con delicatezza.
- Rimuovere il pezzo in lavorazione solo dopo che il disco di taglio si è arrestato completamente.



*Durante l'esecuzione di un taglio non applicare una forza eccessiva sull'impugnatura. La lama e la macchina si usurerebbero più rapidamente e, in ogni caso, la velocità di taglio non aumenta.*

### Verifica e sostituzione delle spazzole in carbonio

Il motore è dotato di 2 spazzole in carbonio soggette a usura durante l'uso. Verificare lo stato di usura delle spazzole in carbonio è importante: una spazzola in carbonio usurata può comportare cattive prestazioni e danni al motore.

#### Rimozione delle spazzole in carbonio (Fig. B)

- Assicurarsi che la spina sia scollegata dalla presa di corrente a muro.
- Rimuovere il coperchio delle spazzole in carbonio (8).
- Estrarre le spazzole in carbonio tirando delicatamente la molla.
- Verificare lo stato di usura del blocco spazzole. Se rimangono meno di 6 mm, la spazzola è consumata e deve essere sostituita immediatamente.
- Ripetere l'operazione dall'altro lato.

#### Reinstallazione delle spazzole in carbonio (Fig. B)

- Assicurarsi che la spina sia scollegata dalla presa di corrente a muro.
- Inserire le spazzole in carbonio e riposizionare la molla in sede.
- Aggiungere il coperchio delle spazzole in carbonio (8) tenendo premuta la molla e ruotare il coperchio in senso orario.
- Dopo che entrambe le spazzole in carbonio sono state reinstallate, provare se la macchina funziona in modo fluido, senza produrre scintille.



*Sostituire sempre entrambe le spazzole in carbonio.*

#### 4. MANUTENZIONE



*Prima di eseguire qualsiasi intervento di manutenzione scollegare sempre la macchina dalla presa di corrente.*

Pulire regolarmente il corpo dell'elettrotensile con un panno morbido, preferibilmente dopo ogni uso. Assicurarsi che le prese d'aria siano libere da polvere e sporcizia. Rimuovere lo sporco particolarmente ostinato con un panno morbido inumidito con acqua e sapone. Non utilizzare solventi come benzina, alcol, ammoniacca, ecc. Le sostanze chimiche di questo tipo danneggiano i componenti sintetici.

#### RISPETTO AMBIENTALE



*Le apparecchiature elettriche o elettroniche difettose e/o scartate devono essere raccolte presso gli opportuni siti di riciclaggio.*

#### Solo per i Paesi CE

Non smaltire gli elettrotensili insieme ai rifiuti domestici. Secondo la Direttiva europea 2012/19/ EC sui rifiuti delle apparecchiature elettriche ed elettroniche e relativa implementazione nelle normative locali, gli elettrotensili ormai inutilizzabili devono essere raccolti separatamente e smaltiti in modo ecologico.

#### DEFINIZIONI DELLA GARANZIA

I prodotti VONROC sono sviluppati secondo i più elevati standard di qualità e viene garantita l'assenza di difetti nei materiali e nella manodopera per il periodo contrattuale a partire dalla data di acquisto originale. Qualora il prodotto dovesse subire un guasto qualsiasi durante questo periodo a causa di difetti nei materiali e/o nella manodopera, si prega di contattare direttamente il VONROC.

Le seguenti circostanze sono escluse da questa garanzia:

- Riparazioni e/o modifiche alla macchina sono state eseguite o tentate da centri di assistenza non autorizzati.
- Normale usura.

- L'utensile è stato abusato, utilizzato o manuttenuto in modo improprio.
- Sono state utilizzate parti di ricambio non originali

Ciò costituisce l'unica garanzia espressa o implicita fornita dall'azienda. Non esistono altre garanzie esprese o implicite che si estendono oltre il presente documento, ivi comprese le garanzie implicite di commerciabilità e idoneità per uno scopo particolare. In nessun caso VONROC sarà responsabile di eventuali danni incidentali o consequenziali. I rimedi dei rivenditori saranno limitati alla riparazione o sostituzione di unità o parti non conformi.

**Il prodotto e il manuale per l'utente sono soggetti a modifiche. I dati tecnici possono essere modificati senza ulteriore notifica.**

## 1. SÄKERHETSANVISNINGAR

Läs de medföljande säkerhetsvarningarna, de kompletterande säkerhetsvarningarna och anvisningarna. Underlåtenhet att följa säkerhetsvarningarna och anvisningarna kan orsaka elstöt, brand och/eller allvarlig skada. Spara säkerhetsvarningarna och anvisningarna som framtida referensmaterial.

Följande symboler används i användarhandboken eller på produkten:



Läs användarhandboken.



Anger risk för personskada, dödsfall eller skada på verktyget om anvisningarna i denna handbok inte följs.



Risk för elstöt.



Ta genast ut strömkontakten från strömkåblan om strömkabeln skadas samt vid rengöring och underhåll.



Använd endast inomhus.



Klass II-maskin - dubbelisolering - Du behöver ingen jordad kontakt.



Använd skyddsglasögon.



Använd hörselskydd.



Använd skyddshandskar.



Risk för flygande föremål. Håll kringstående borta från arbetsområdet.



Kassera inte produkten i olämpliga containrar.



Produkten uppfyller gällande säkerhetsnormer i EU-direktiven.

### ALLMÄNNA SÄKERHETSFORESKRIFTER FÖR ELVERKTYG



**VARNING!** Läs *alla* säkerhetsvarningar och *alla* anvisningar. Underlåtenhet att följa varningar och instruktioner kan resultera i elstötar, brand och/eller allvarliga skador.

### Spara alla varningar och instruktioner för framtida referens.

Uttrycket "elverktyg" i varningarna avser ditt nätanslutna (med sladd) verktyg eller batteridrivna (sladdlösa) elektriska verktyg.

#### 1) Arbetsplats säkerhet

- Håll arbetsplatsen ren och välbelyst.** Belamrade eller mörka områden inbjuder till olyckor.
- Använd inte elektriska verktyg i explosiva atmosfärer, såsom i närvaro av lättantändliga vätskor, gaser eller damm.** Elverktyg skapar gnistor som kan antända damm eller ångor.
- Håll barn och åskådare borta medan du arbetar med ett elverktyg.** Om du blir distraherad kan du tappa kontrollen.

#### 2) Elsäkerhet

- Verktygets elkontakt måste passa till vägguttaget. Ändra inte kontakten på något sätt. Använd inte adapterkontakter med jordade elverktyg.** Omodifierade kontakter och matchande uttag minskar risken för elektrisk stöt.
- Undvik kroppskontakt med jordade ytor såsom rör, värmeelement, spisar och kylskåp.** Det finns en ökad risk för elektrisk stöt om din kropp är jordansluten eller jordad.
- Utsätt inte elektriska verktyg för regn eller väta.** Vatten som tränger in i ett elverktyg ökar risken för elstötar.
- Hantera inte elkabeln felaktigt. Använd aldrig sladden för att bära, dra eller koppla bort elverktyget från uttaget. Håll sladden borta från värme, olja, vassa kanter eller rörliga delar.** Skadade eller tilltrasslade sladdar ökar risken för elektrisk stöt.
- När du arbetar med ett elverktyg utomhus, använd en förlängningssladd som passar för utomhusanvändning.** Användning av en sladd som passar för utomhusanvändning minskar risken för elektrisk stöt.
- Om arbete med ett elverktyg i en fuktig lokal är oundvikligt, använd ett uttag som är skyddat med jordfelsbrytare (RCD).** Användning av jordfelsbrytare minskar risken för elstötar.

#### 3) Personlig säkerhet

- Var uppmärksam, kontrollera vad du gör och använd sunt förnuft när du arbetar med ett elektriskt verktyg. Använd inte ett elverktyg när du är trött eller påverkad av droger, alkohol eller**

- medicinering.** Ett ögonblicks uppmärksamhet under arbetet kan resultera i allvarliga personskador.
- b) **Använd personlig skyddsutrustning. Bär alltid ögonskydd.** Skyddsutrustning såsom dammfilterskydd, halksäkra säkerhetsskor, skyddshjälm eller hörselskydd som används för lämpliga förhållanden minskar personskador.
- c) **Förebygg oavsiktlig igångsättning. Se till att strömbrytaren är i avstängd position innan anslutning till strömkällan och/eller batteriet, verktyget lyfts upp eller bärs.** Om du bär elverktyg med ditt finger på strömbrytaren eller ansluter ett påkopplat elverktyg till nätströmmen kan en olycka inträffa.
- d) **Avlägsna eventuell justeringsnyckel eller skiftnyckel innan du sätter på elverktyget.** En skiftnyckel eller en nyckel som sitter kvar på en roterande del av elverktyget kan resultera i personskada.
- e) **Böj dig inte för långt. Bibehåll alltid ordentligt fotfäste och balans.** Detta möjliggör bättre kontroll av elverktyget i oväntade situationer.
- f) **Bär lämpliga kläder. Använd inte vida kläder eller smycken. Håll hår, kläder och handskar borta från rörliga delar.** Lösa kläder, smycken eller långt hår kan fastna i rörliga delar.
- g) **Om enheten är försedd med anslutning av dammsug och uppsamlingsmöjlighet, se till att dessa är anslutna och används korrekt.** Dammupptagning minskar dammrelaterade risker.
- h) **Låt inte erfarenheten som uppnås vid frekvent användning av verktyg låta dig bli för självsäker och ignorera verktygs säkerhetsprinciperna.** En oförsiktig handling kan orsaka allvarliga skador under bråkdelen av en sekund.
- 4) Användning och skötsel av elverktyg**
- a) **Bruka inte våld när du använder elverktyget. Använd rätt slags elektriska verktyg för ditt arbete.** Rätt elverktyg gör arbetet bättre och säkrare vid den hastighet som det har konstruerats för.
- b) **Använd inte elverktyget om strömbrytaren inte sätter på och stänger av det.** Ett elverktyg som inte kan kontrolleras med strömbrytaren är farligt och måste repareras.
- c) **Dra ur kontakten från strömkällan och/eller batteriet från elverktyget innan du gör några justeringar, byter tillbehör, eller lägger undan elverktygen för förvaring.** Sådana förebyggande säkerhetsåtgärder minskar risken för att elverktyget startar oavsiktligt.
- d) **Förvara elverktyg oåtkomliga för barn och låt inte personer som är obekanta med verktyget eller dessa instruktioner använda verktyget.** Elektriska verktyg är farliga i händerna på erfarna användare.
- e) **Underhåll av elektriska verktyg. Kontrollera för feljustering eller om rörliga delar har fastnat, bristning hos delar och andra eventuella förhållanden som kan komma att påverka elverktygets funktion. Om det är skadat, se till att elverktyget blir reparerat före användning.** Många olyckor orsakas av dåligt underhållna elektriska verktyg.
- f) **Håll kapverktyg vassa och rena.** Korrekt underhållna kapverktyg med vassa kanter är mindre troliga att kärva och lättare att kontrollera.
- g) **Använd elverktyget, dess tillbehör och verktyg i enlighet med dessa instruktioner och under beaktande av arbetsförhållandena och det arbete som ska utföras.** Användning av elverktyget för andra uppgifter än vad som avsetts kan resultera i farliga situationer.
- h) **Se till att handtagen är torra, rena och fria från olja och fett.** Hala handtag och grepppytor tillåter inte säker hantering och kontroll av verktyget i oväntade situationer.
- 5) Service**
- a) **Se till att ditt elverktyg får service av en kvalificerad reparatör, som endast använder identiska ersättningsdelar.** Detta säkerställer att elverktygets säkerhet upprätthålls.

## SÄKERHETSANVISNINGAR FÖR KAPSÅGAR - SÅGANVISNINGAR

1. Använd endast skåreggen (aldrig sidan) av klingan för kapningen. Undvik att trycka sidledes på klingan, och i synnerhet att den fastnar.
2. Håll händer och kropp borta från klingan. När du sågar med maskinen, använd inte lösa kläder som kan fastna i den.
3. Behandla kapsågen varsamt, se till att inte tappa de, förvara den alltid på en säker och torr plats. Undvik för höga temperaturer och luftfuktighet.
4. Se till att alla skivflänsar och andra monterade delar är i gott skick och monterade enligt instruktionerna. Skadade eller saknade delar kan



- leda till skivskador. Använd alltid flänsarna som levereras med maskinen.
- Arbeta aldrig med skadade klingor, eftersom dessa kan vara farliga. Stäng först av maskinen när du byter klinga. Vrid klingan för hand och inspektera den för ojämnheter, skevhet eller hack. Om du upptäcker något av detta, ta bort klingan och ersätt den med en ny. Byt även ut klingan om den faller i golvet. Den kan ha blivit skör även om du inte kan se några skenbara skador.
  - Innan du börjar såga, gör en provkörning, dvs ta ett steg tillbaka, sätt på motorn och se till att klingan fungerar korrekt. Efter att ha bytt klinga, låt sågen gå i tre minuter; därefter, innan du gör något rutinarbete, låt den provköra i en minut.
  - Medan maskinen är igång, försök aldrig ta bort ett arbetsstycke eller klämma in ett arbetsstycke. Vänta alltid tills klingan slutar rotera helt innan du tar bort något arbetsstycke eller ändrar inställningarna.
  - Innan du installerar klingan, inspektera alltid den harts- och gummibehandlade klingan för hack.
  - Korskontrollera alltid skivsågens maximala arbetshastighet med motorns högsta tillåtna hastighet. Överskrid aldrig den maximalt tillåtna hastigheten som anges på klingan.
  - Försök aldrig att montera en klinga på maskinen med våld eller att ändra storleken på axlarna. Använd aldrig skivor som inte passar. Använd endast skivor som passar maskinen.
  - Försök inte att fästa sågklingor på maskinen, eftersom den inte är konstruerad för att såga trä.
  - Börja inte kapa förrän motorn har nått full hastighet.
  - Om klingan inte längre snurrar eller motorn låter överbelastad när maskinen används, stäng omedelbart av maskinen.
  - Håll lättantändliga eller ömtåliga föremål borta från maskinen. Maskinanvändaren måste undvika att låta sina händer, ansikte eller fötter komma i kontakt med gnistor som uppstår vid kapning.
  - Placera din maskin stadigt på en plan och jämn yta.
  - Använd endast maskinen med den spänning som anges på märkskylten.
  - Rör aldrig ett avsågat arbetsstycke, låt det alltid svalna först.

- Försök aldrig att skära arbetsstycken som överstrider den tillåtna storleken.
- Placera dig aldrig i skärriktningen under sågning. Håll dig alltid på ena sidan.
- Ha alltid säkerhetsanordningar installerade.
- Se till att du skär långsamt och försiktigt. Undvik att applicera klingan på arbetsstycket med en ryckig rörelse.
- Tryck aldrig arbetsstycket mot klingan medan du håller det i händerna. Spänn alltid arbetsstycket med tvingen.
- Håll händerna borta från klingan. Kapa aldrig arbetsstycken där manuellt stöd behövs närmare än 15 cm från den roterande klingan.
- Se till att arbetsstycket stöds ordentligt.
- Använd aldrig skärvätskor. Dessa vätskor kan antändas eller orsaka elektriska stötar.
- Kapa inte i gjutjärnsmaterial.
- Kapa inte plast, trä eller syntetiska material.
- Kapa inte magnesium.

### Elsäkerhet



*Kontrollera alltid så att spänningen på nätet motsvarar den spänning som finns angiven på märkplåten.*

- Använd inte maskinen om nätkabeln eller nätkontakten är skadad.
- Använd endast förlängningskablar som är lämpliga för maskinens effekt med en minsta tjocklek på 1,5 mm<sup>2</sup>. Om du använder en kabelvinda, rulla alltid ut kabeln helt.

## 2. MASKININFORMATION

### Avsedd användning

Kapsågen har utformats för att skära stålmaterial i olika former.

### TEKNISKA SPECIFIKATIONER

Modell-nr	CS505AC
Strömspänning	220V-240V~
Strömfrekvens	50/60Hz
Ineffekt	2,300 W
Nominell hastighet	4300/min
Sågbladsmått	Ø 355 mm x Ø 25,4 mm
Ljudtryck L <sub>PA</sub>	92 dB(A) K=3
Ljudtryck L <sub>WA</sub>	105 dB(A) K=3

Vibrationer $a_{h,AG}$	2.90+1,5 m/s <sup>2</sup>
Vikt	15,8 kg
Max. kapkapacitet vid 90°	
- Rektangulär	115 mm x 125 mm
- L-form	135 mm x 135 mm
- Cirkulär	Ø 125 mm
Max. kapkapacitet vid 45°	
- Rektangulär	110mm x 102mm
- L-form	110mm x 110mm
- Cirkulär	Ø 110 mm

### Vibrationsnivå

Vibrationsutsläppsnivån som anges i denna bruksanvisning har uppmätts i enlighet med ett standardiserat test i EN 62841, som kan användas för att jämföra verktyg med varandra och som en preliminär bedömning av exponering för vibrationer när du använder verktyget för angivna arbeten.

- Användning av verktyget för andra tillämpningar, eller med olika eller dåligt underhållna tillbehör kan avsevärt öka exponeringsnivån.
- De gånger då verktyget stängs av eller är på men egentligen inte används kan minska exponeringsnivån betydligt.

Skydda dig mot effekterna av vibrationer genom att underhålla verktyget och dess tillbehör, hålla händerna varma och organisera ditt arbetsmönster.

### BESKRIVNING

Siffrorna i texten hänvisar till diagrammen på sida 2-5.

1. Övre säkerhetsskydd
2. Flyttbart säkerhetsskydd
3. Klinga
4. Gnistavledare
5. Klämma för arbetsstycke
6. Handtag
- 7a. Strömbrytare
- 7b. Låsknapp
8. Lock för kolborste
9. Spindellåsknapp
- 10A. Djupstoppsindikator
- 10B. Djupstoppsindikator
11. Transportlåsstift
12. Arbetsstyckets bakre klämma
13. Arbetsstyckets främre klämma
14. Stoppspak
15. Arbetsstycksspindel

16. Skivbytesnyckel
17. Maskinspindel
18. Stor inre bricka
19. Stor yttre bricka
20. Liten bricka
21. Skivbult

## 3. ANVÄNDNING



*Innan du byter skivor eller justerar maskinen, dra först ut stickkontakten ur vägguttaget.*

### Ta bort transportlåset (fig. B)

Maskinen har en transportlåsstift (11) som håller sitt läge lågt och gör det enkelt att transportera och förvara enheten. Låsknappen blockerar sågens rörelse upp/ned. Och måste avaktiveras innan du använder sågen.

- Ta bort transportlåset genom att trycka ner maskinen lite. Medan du trycker nedåt kan transportlåsstiftet (11) dras ut med den andra handen.
- Efter att stiftet (11) har dragits ut kan maskinen röra sig fritt upp och ner.

### Aktivera transportlåset (fig. B)

- Tryck ner maskinen till sitt lägsta läge.
- Tryck sedan på transportlåsprinten (11) tills den glider på plats.

### Montering/demontering av klinga (fig. A, B, C)



*Dra alltid ur nätkontakten innan du byter klinga.*



*Kontrollera alltid relaterade säkerhetsinstruktioner när du byter klinga.*

### Ta bort en kapklinga

- Ta ut skivnyckeln (16) från maskinens bas.
- Borttagning av klingan är lättare när det rörliga säkerhetsskyddet (2) flyttas upp.
- Tryck på spindellåsknappen (9) för att blockera maskinspindelns rörelse.
- Håll spindellåsknappen (9) nedtryckt. Placera nyckeln (16) på klingbulten och vrid den lätt tills knappen (9) trycks in till max och spindelns rotation blockerar.
- Ta bort bulten (21), den lilla brickan (20) och den stora yttre brickan (19).
- Ta sedan bort sågklingan (3).

### Montering av en sågklinga

- Om detta inte har gjorts ännu, ta bort bulten (21) genom att vrida den moturs, ta sedan bort den lilla brickan (20) och den stora yttre brickan (19).
- Placera sågklingan (3) på maskinspindeln.
- Lägg först till den stora yttre brickan (19), sedan den lilla brickan (20) och sedan fästbulten (21) enligt fig C. och dra åt den för hand tills spindeln börjar rotera.
- Tryck på spindellåsknappen (9) för att blockera maskinspindelns rörelse.
- Håll spindellåsknappen (9) nedtryckt. Placera nyckeln (16) på skivbulten och vrid den lätt medurs.
- När spindellåset blockerar rotationen, dra åt skivbulten med hjälp av nyckeln (16).
- Lossa spindellåsknappen och se till att spindel-låsknappen inte blockerar spindeln längre.

### Kontrollera sedan om hjulet är korrekt monterat:

- Vrid klingan (3) för hand några varv för att kontrollera om den roterar fritt och om den är väl inriktad.
- Slå på maskinen och låt maskinen gå i minst 3 minuter.

### Igångsättning och avstängning av maskinen (fig. B)

- För att starta maskinen, håll in låsknappen (7b) och tryck på strömbrytaren (7a).
- Släpp strömbrytaren (7a) för att stoppa maskinen.

### Arbetsstyckets klämman (5) (fig. A, B, D)

- Placera arbetsstyckets material mellan den främre klämman (13) och den bakre klämman (12).
- Lyft upp stoppet (14) som visas i fig. D. och vrid skruvhandtaget (15) framåt tills den främre klämman (13) nuddar arbetsstycket.
- Flytta sedan stoppet (14) nedåt (för att låsa spindeln) och fixera arbetsstycket säkert genom att vrida på skruvhandtaget (15).

### Kapning i vinklar (fig. E)

Maskinen tillåter skärning i vinklar från 0° till 45° genom att justera den bakre klämman (12).

- Lossa de 2 M10 sexkantsbultarna (22 & 23) som håller fast den bakre klämman (12) tills skruvstycket kan röra sig.
- Ställ sedan in den bakre klämman (12) till rätt vinkel och dra åt båda bultarna (22 & 23) igen.

### Flytta det bakre skruvstycket (för att kapa större arbetsstycken) (fig. F)

Skruvstycket tillåter en maximal arbetsstyckesstorlek på 160 mm vid leverans från fabriken. Skruvstycket kan justeras bakåt för att tillåta arbetsstyckets storlek på 195 mm som visas på den högra bilden (fig. F).

- Lossa de 2 M10 sexkantsbultarna (22 & 23) på den bakre klämman (12) helt.
- Flytta klämman (12) bakåt och fäst bultarna (22 & 23) i de bakre anslutningshålarna igen.

### Justera djupstoppet (fig. B)

Maskinen är utrustad med en djupstoppsbult, med denna bult kan det maximala skärdjupet justeras.

- Om skärdjupet behöver justeras, lossa den nedre muttern (10B) och justera sedan djupinställningen genom att vrida den övre bulten (10A) till önskat läge.
- Sätt sedan fast den nedre muttern (10B) igen.

### Kapning

Följ alltid följande procedur för att kapa material:

- Se till att arbetsstycket är fastklämt och väl stött innan du startar maskinen.
- Starta maskinen i övre läge och låt den gå en stund tills den når maxhastighet.
- Se till att bladet roterar fritt utan vibrationer.
- Flytta försiktigt ner maskinen tills den nuddar materialet.
- Fortsätt att trycka på handtaget med liten kraft, se till att bladhastigheten inte sjunker.
- Släpp strömbrytaren efter kapning och flytta maskinen försiktigt uppåt.
- Ta bara bort arbetsstycket när sågklingan har slutat gå helt.



*Använd inte överdriven kraft på handtaget när du sågar, klingan och maskinen kommer att slitas ut snabbare och det resulterar inte i snabbare kapning.*

### Kontroll och byte av kolborstar

Motorn har 2 kolborstar som slits ut vid användning. Det är viktigt att kontrollera kolborstarnas status, en utsliten kolborste kan leda till dålig prestanda och motorskador.

### Ta bort kolborstar (fig. B)

- Se till att stickkontakten är borttagen från vägguttaget.

- Ta bort kolborstens hölje (8).
- Ta bort kolborstarna genom att försiktigt dra i fjädern.
- Kontrollera slitaget på borstblocket, när det är mindre än 6 mm kvar är kolborsten utsliten och måste bytas ut omedelbart.
- Upprepa på andra sidan.

#### Sätt kolborstarna igen (fig. B)

- Se till att stickkontakten är borttagen från vägguttaget.
- Sätt i kolborstarna och tryck tillbaka fjädern.
- Sätt in kolborstens hölje (8) medan du håller fjädern intryckt och vrid locket medurs.
- Efter att båda kolborstarna har återinstallerats, testa om maskinen går smidigt utan gnistor.



*Byt alltid ut båda kolborstarna.*

## 4. UNDERHÅLL



*Dra alltid ut maskinens kontakt från eluttaget innan du utför något underhållsarbete.*

Rengör maskinens hus regelbundet med en mjuk trasa, helst efter varje gång du använder maskinen. Se till att ventilationsöppningarna är fria från damm och smuts. Ta bort mycket ihållande smuts med en mjuk trasa fuktad med tvållösning. Använd inte lösningsmedel som bensin, alkohol, ammoniak osv. Sådana kemikalier skadar de syntetiska komponenterna.

## MILJÖ



*Felaktig och/eller kasserad elektrisk eller elektronisk utrustning måste lämnas in på lämpliga återvinningsstationer.*

#### Endast för EU-länder

Kassera inte elverktyg i hushållsavfall. Enligt den europeiska riktlinjen 2012/19/EG om kasserad elektrisk och elektronisk utrustning och dess tillämpning i nationell rätt måste elverktyg som inte längre är användbara samlas in separat och kasseras på ett miljövänligt sätt.

## GARANTI

VONROC-produkter är utvecklade enligt högsta kvalitetsstandard och garanteras fria från defekter i både material och utförande under den period som lagen föreskriver från och med inköpsdatumet. Om produkten skulle utveckla fel under denna period på grund av defekt material och/eller utförande, kontakta då VONROC direkt.

Följande omständigheter är undantagna från denna garanti:

- Reparationer och/eller ändringar har gjorts eller försökts utföras på maskinen av obehöriga servicecenter;
- Normalt slitage;
- Verkyget har missbrukats, använts på fel sätt eller underhållits felaktigt;
- Reservdelar som inte är original har använts.

Detta utgör den enda garantin som företaget ger antingen uttryckt eller underförstått. Det finns inga andra garantier uttryckta eller underförstådda som sträcker sig bortom detta, inklusive de underförstådda garantierna för säljbarhet och lämplighet för ett visst syfte. Under inga omständigheter ska VONROC hållas ansvarigt för indirekta skador eller följdskador. Återförsäljarnas åtgärder ska begränsas till reparation eller byte av enheter eller delar som inte uppfyller kraven.

**Produkten och användarhandboken kan ändras. Specifikationerna kan ändras utan förvarning.**

## 1. SIKKERHEDSANVISNINGER

Læs de medfølgende sikkerhedsadvarsler, de supplerende sikkerhedsadvarsler og instruktionerne. Såfremt sikkerhedsadvarsler og instruktioner ikke følges, kan dette medføre elektriske stød, brand og/eller alvorlige ulykker. Gem alle sikkerhedsadvarsler og instruktioner til fremtidig reference.

Følgende symboler anvendes i denne brugermanual eller på produktet:



Læs brugermanualen.



Angiver risiko for personskade, dødsfald eller beskadigelse af varmeren i tilfælde af manglende overholdelse af anvisningerne i denne vejledning.



Risiko for elektrisk stød.



Fjern straks stikket fra vægstikkontakten, hvis strømkablet bliver beskadiget samt under rengøring og vedligeholdelse.



Kun til indendørs brug.



Klasse II-maskine – Dobbeltisoleret – Du har ikke brug for et jordstik.



Brug beskyttelsesbriller.



Brug høreværn.



Bær sikkerhedshandsker.



Risiko for flyvende dele. Hold omkringstående på afstand af arbejdsområdet.



Kassér ikke produktet i en forkert container.



Produktet overholder de gældende sikkerhedsstandarder i de europæiske direktiver.

## GENERELLE SIKKERHEDSFORSKRIFTER



**Advarsel! Læs alle sikkerhedsadvarsler og alle anvisninger.** Hvis alle nedenstående instruktioner ikke følges, kan det resultere i elektrisk stød, brand og/eller alvorlig personskade.

### Gem disse instruktioner.

Udtrykket "elektrisk maskine" i alle advarslerne nedenfor henviser til elektriske maskiner/værktøj/redskaber, der via en ledning tilkobles elnettet eller strømforsynes via batteri (accu).

### 1) Arbejdsområde

- Arbejdsområdet skal være rent og tilstrækkeligt belyst.** Rodede og mørke arbejdsområder giver større risiko for ulykker.
- Brug ikke elektriske maskiner i eksplosive omgivelser, f.eks. i nærheden af brandfarlige væsker, gasser eller støv.** Elektriske maskiner frembringer gnister, som kan antænde støv eller dampe.
- Hold børn og omkringstående på afstand, når der bruges elektriske maskiner.** Hvis man distraheres, kan man miste kontrollen over den elektriske maskine.

### 2) Elektrisk sikkerhed

- Stik til elektriske maskiner skal passe til stikkontakten. Der må ikke foretages ændringer af stikket. Brug ikke snydepropper til jordede (jordforbundne) elektriske maskiner.** Originale stik og tilsvarende kontakter mindsker risikoen for elektrisk stød.
- Undgå kropskontakt med jordede eller jordforbundne overflader som f.eks. rør, radiatorer, komfurer og køleskabe.** Der er øget risiko for elektrisk stød, hvis kroppen er jordet eller jordforbundet.
- Elektriske maskiner må ikke udsættes for regn eller våde omgivelser.** Hvis der kommer vand i den elektriske maskine, øges risikoen for elektrisk stød.
- Brug ikke ledningen forkert. Brug ikke ledningen til at bære eller trække maskinen og heller ikke for at tage ledningen ud af stikkontakten. Hold ledningen væk fra stærk varme, olie, skarpe kanter og bevægelige dele.** Beskadigede eller filtrede ledninger øger risikoen for elektrisk stød.
- Når en elektrisk maskine bruges udendørs, skal man bruge en forlængerledning, der er beregnet til udendørs brug.** Hvis der bruges en forlængerledning, der er beregnet til udendørs

- brug, mindskes risikoen for elektrisk stød.
- f) **Hvis det ikke kan undgås at bruge et maskinværktøj i et fugtigt miljø, bør du anvende en forsyning, der er beskyttet af en fejlstrømsafbryder (RCD).** Brugen af en RCD reducerer risikoen for elektrisk stød.
- 3) Personlig sikkerhed**
- a) **Vær agtpågivende, hold øjnene rette mod det, du laver, og brug almindelig sund fornuft, når du bruger en elektrisk maskine. Brug ikke en elektrisk maskine, hvis du er træt eller er under påvirkning af narkotika, alkohol eller medicin.** Et øjeblikvis uopmærksomhed under arbejdet med en elektrisk maskine kan resultere i alvorlig personskade.
- b) **Brug personligt sikkerhedsudstyr. Brug altid beskyttelsesbriller.** Sikkerhedsudstyr som støvmaske, skridsikre sko, hjelm eller høreværn, brugt når det er nødvendigt, mindsker risikoen for personskade.
- c) **Undgå utilsigtet start. Sørg for, at der er slukket på afbryderen, før stikket sættes i stikkontakten.** Hvis maskinværktøj bæres med fingeren på kontakten, eller når maskinværktøj strømføres med tændt kontakt, kan der nemt ske ulykker.
- d) **Fjern justeringsnøgler og tænger, før der tændes for den elektriske maskine.** En tang eller nøgle, der sidder på en roterende del af den elektriske maskine, kan resultere i personskade.
- e) **Ræk ikke for langt ud. Stå sikkert på fødderne og vær altid i god balance.** Det giver bedre kontrol over maskinen i uventede situationer.
- f) **Tag passende tøj på. Bær ikke løstsiddende tøj eller smykker. Hold hår, tøj og handsker væk fra bevægelige dele.** Løstsiddende tøj, smykker eller langt hår kan blive grebet af bevægelige dele.
- g) **Hvis der forefindes tilslutning til støvudsugning og -opsamling, skal man sørge for, at udstyret er tilsluttet og bruges.** Brug disse muligheder for at mindske risikoen for støvrelaterede risici.
- h) **Lad ikke kendskab opnået gennem hyppig brug af værktøj lade dig blive tilbagelænet og ignorere værktøjssikkerhedsprincipper.** En skødesløs handling kan forårsage alvorlig personskade inden for en brøkdæl af et sekund.
- 4) Brug og behandling af elektriske maskiner**
- a) **Brug ikke magt på den elektriske maskine. Brug kun den elektriske maskine til det, den er beregnet til.** Den rette elektriske maskine gør arbejdet bedre og mere sikkert ved den effekt, der er foreskrevet.
- b) **Brug ikke den elektriske maskine, hvis afbryderen ikke kan tænde og slukke.** En elektrisk maskine, der ikke kan tændes og slukkes på afbryderen, er farlig og skal repareres.
- c) **Tag stikket ud af stikkontakten før justering, udskiftning af tilbehør, og før den elektriske maskine gemmes væk.** Sådanne forebyggende sikkerhedsforanstaltninger mindsker risikoen for, at den elektriske maskine starter ved et uheld.
- d) **Elektriske maskiner, der ikke bruges, skal opbevares utilgængeligt for børn, og personer, der ikke har kendskab til den elektriske maskine eller disse instruktioner, må ikke bruge den elektriske maskine.** Elektriske maskiner er farlige i hænderne på uvedede personer.
- e) **Elektriske maskiner skal vedligeholdes. Check for forkert justering og fastsiddende bevægelige dele, defekte dele og andre ting, som kan påvirke den elektriske maskines korrekte funktion. Hvis den elektriske maskine er beskadiget, skal den repareres før brug.** Mange ulykker skyldes, at elektriske maskiner er dårligt vedligeholdt.
- f) **Skærende værktøj skal holdes skarpe og rene.** Korrekt vedligeholdt skærende værktøj med skarpe skær kommer ikke så let til at sidde fast og er nemmere at styre.
- g) **Brug den elektriske maskine, tilbehør, tool-bits osv. i henhold til disse instruktioner og på den måde, som denne specielle maskine er beregnet til, idet man skal tage hensyn til arbejdsforholdene og arbejdet, der skal udføres.** Brug af den elektriske maskine til andet, end den er beregnet til, kan resultere i farlige situationer.
- h) **Hold håndtag og gribeblader tørre, rene og fri fra olie og fedtstof.** Glatte håndtag og gribeblader giver ikke mulighed for sikker håndtering og kontrol af værktøjet i uventede situationer.
- 5) Service**
- a) **Få foretaget service på dit maskinværktøj af en kvalificeret reparatør, der kun bruger identiske udskiftningsdele.** Dette sikrer, at maskinværktøjet fortsat er sikkert at bruge.

## SIKKERHEDSANVISNINGER TIL RUNDSAVE – SKÆREANVISNINGER

1. Brug kun skærekanten (aldrig siden) af skiven til at skære med. Undgå at lægge pres på siden af skiven, og i særdeleshed skal du undgå, at den sætter sig fast.
2. Hold hænder og krop væk fra skiven. Brug ikke løst tøj, som kunne blive viklet ind i den, mens du skærer med maskinen.
3. Behandl skivesaven forsigtigt; du må aldrig tabe den, og den skal altid opbevares på et sikkert, tørt sted. Undgå for høje temperaturer og fugtighed.
4. Sørg for, at alle skiveflanger og andre monterede dele er i god stand og er monteret i henhold til anvisningerne. Beskadede eller manglende dele kan medføre skade på skiven. Brug altid de flanger, der leveres med maskinen.
5. Arbejd aldrig med beskadede skiver, da disse kan være farlige. Når du skifter skiven, skal du først slukke for maskinen. Drej skiven med hånden, og undersøg den for ujævnheder, vriddinger og forskydninger. Hvis du finder nogen af disse, skal du fjerne skiven og udskifte den med en ny. Udskift også skiven, hvis den falder på gulvet. Den kan være blevet skrøbelig, selv om du ikke kan se nogen tilsyneladende skader.
6. Før du begynder at skære, skal du foretage en testkørsel, dvs. tage et skridt tilbage, tænde for motoren og sikre, at skiven fungerer korrekt. Efter at have skiftet skiven, skal du lade saven køre i tre minutter; derefter skal du lade den prøvekøre i et minut, inden du udfører rutinearbejde.
7. Du må aldrig forsøge at fjerne et arbejdsemne eller lægge et emne ind, mens maskinen kører. Vent altid, indtil skiven stopper helt, inden du fjerner et arbejdsemne eller ændrer på indstillingerne.
8. Inden du installerer skiven, skal du altid undersøge den harpiks- og gummibehandlede skive for forskydninger.
9. Kontrollér altid skivesavens maksimale driftshastighed med den maksimalt tilladte hastighed for motoren. Overskrid aldrig den maksimalt tilladte driftshastighed angivet på skiven.
10. Forsøg aldrig at montere en skive på maskinen med kraft eller at ændre akslernes størrelse. Brug aldrig skiver, som ikke passer. Brug kun skiver, som passer til maskinen.

11. Forsøg ikke at fastgøre savblade til maskinen, da den ikke er designet til at skære træ.
12. Begynd ikke at skære, før motoren har nået fuld hastighed.
13. Hvis skiven ikke længere drejer, mens du bruger maskinen, eller hvis motoren lyder overbelastet, skal du straks slukke for maskinen.
14. Opbevar let brændbare eller skrøbelige genstande væk fra maskinen. Maskinoperatøren skal undgå, at hænder, ansigt eller fødder kommer i kontakt med gnisterne, der opstår ved skæring.
15. Placér din maskine fast på en flad, jævn overflade.
16. Brug kun maskinen ved den spænding, der er angivet på typeskiltet.
17. Rør aldrig et afsavet arbejdsemne; lad det altid afkøle først.
18. Forsøg aldrig at skære arbejdsemner, der overstiger den tilladte størrelse.
19. Under skæring må du aldrig placere dig selv i retning af skæringen. Du skal altid blive på den ene side.
20. Sikkerhedsanordninger skal altid være installeret.
21. Sørg altid for, at du skærer langsomt og forsigtigt. Undgå at sætte skiven på emnet med en rykkende bevægelse.
22. Skub aldrig arbejdsemnet mod skiven, mens du holder det i dine hænder. Brug altid klemmen til at fastgøre emnet.
23. Hold hænderne væk fra skæreskiven. Skær aldrig arbejdsemner, hvor der er behov for manuel støtte tættere end 15 cm fra den roterende skive.
24. Sørg for, at arbejdsemnet er korrekt støttet
25. Brug aldrig skærevæsker. Disse væsker kan antændes eller forårsage elektrisk stød.
26. Skær ikke støbejernsmaterialer.
27. Skær ikke plast, træ eller syntetiske materialer.
28. Skær ikke magnesium.

### Elektrisk sikkerhed



Kontroller altid, at strømforsynings spænding svarer til spændingen på typeskiltet.

- Brug ikke maskinen, hvis strømkablet eller stikket er beskadiget.
- Brug kun forlængerledninger, der passer til maskinens spænding og som har en minimertykkelse på 1.5 mm<sup>2</sup>. Hvis du anvender en kabeltromle, skal kablet altid rulles helt ud.

## 2. MASKINOPLYSNINGER

### Tilsigtet brug

Rundsaven er designet til at skære stålmaterialer i forskellige former.

### TEKNISKE SPECIFIKATIONER

Model nr.	CS505AC
Netspænding	220V~240V~
Netfrekvens	50/60Hz
Indgangseffekt	2.300 W
Nominal hastighed	4300/min
Savklinge	Ø 355mm x Ø 25.4mm
Lydtryk $L_{PA}$	92 dB(A) K=3
Lydeffekt $L_{WA}$	105 dB(A) K=3
Vibration $a_{h,AG}$	2.90+1.5 m/s <sup>2</sup>
Vægt	15.8kg
Maks. skæreevne ved 90°	
- Rektangulær	115mm x 125mm
- L-form	135mm x 135mm
- Cirkulær	Ø 125mm
Maks. skæreevne ved 45°	
- Rektangulær	110mm x 102mm
- L-form	110mm x 110mm
- Cirkulær	Ø 110mm

### Vibrationsniveau

Det vibrationsniveau, der er anført bag på denne betjeningsvejledning er målt i henhold til den standardiserede test som anført i EN 62841; den kan benyttes til at sammenligne to stykker værktøj og som en foreløbig bedømmelse af udsættelsen for vibrationer, når værktøjet anvendes til de nævnte formål:

- anvendes værktøjet til andre formål eller med andet eller dårligt vedligeholdt tilbehør, kan dette øge udsættelsesniveauet betydeligt;
- de tidsrum, hvor værktøjet er slukket, eller hvor det kører uden reelt at udføre noget arbejde, kan reducere udsættelsesniveauet betydeligt.

Beskyt dig selv imod virkningerne af vibrationer ved at vedligeholde værktøjet og dets tilbehør, ved at holde dine hænder varme og ved at organisere dine arbejdsmønstre.

### BESKRIVELSE

Tallene i teksten henviser til diagrammerne på side 2-5.

1. Øverste sikkerhedsskærm
2. Bevægelig sikkerhedsskærm
3. Skæreskive
4. Gnistafskærmer
5. Emnetang
6. Gribehåndtag
- 7a. Tænd/sluk-kontakt
- 7b. Låseknop
8. Kulbørstens dæksel
9. Spindellåseknop
- 10A. Bolt til dybdestop
- 10B. Møtrik til dybdestop
11. Transportlåsebolt
12. Bageste emnetang
13. Forreste emnetang
14. Stopstang
15. Emnespindel
16. Skiveudskiftningsnøgle
17. Maskinspindel
18. Stor indvendig skive
19. Stor udvendig skive
20. Lille skive
21. Skivebolt

### 3. DRIFT



*Inden du skifter blade eller justerer maskinen, skal du først fjerne strømtikket fra kontakten.*

#### Sådan fjernes transportlåsen (Fig. B)

Maskinen har en transportlåsestift (11), som holder dens position lav og gør det nemt at transportere enheden og opbevare den. Låseknappen blokerer savens op/ned-bevægelse. Og skal deaktiveres, før saven tages i brug.

- Fjern transportlåsen ved at trykke lidt ned. Mens du trykker ned, kan transportlåsestiften (11) trækkes ud med den anden hånd.
- Efter at stiften (11) er trukket ud, kan maskinen frit bevæge sig op og ned.

#### Sådan aktiveres transportlåsen (Fig. B)

- Tryk maskinen ned til dens laveste position.
- Skub derefter transportlåsestiften (11), indtil den glider på plads.



**Sådan tilføjes/fjernes en skæreskive (Fig. A, B, C)**

Tag altid stikket ud, inden du skifter skiver.



Når du skifter skiver, skal du altid tjekke de relaterede sikkerhedsinstruktioner.

**Sådan fjernes en skæreskive**

- Tag skiftenøglen (16) fra maskinstativet
- Det er nemmere at fjerne skiven, når den bevægelige sikkerhedsafskærmning (2) er flyttet op.
- Tryk på spindellåseknappen (9) for at blokere bevægelsen af maskinens spindel.
- Hold spindellåseknappen nede (9). Sæt skiftenøglen (16) på skivebolten og drej den lidt, indtil knappen (9) er trykket ind til det maksimale, og spindelrotationen er blokeret.
- Fjern boltene (21), den lille spændeskive (20), den store ydre spændeskive (19).
- Fjern derefter skæreskiven (3).

**Sådan monteres en skæreskive**

- Hvis dette endnu ikke er blevet gjort, skal du fjerne boltene (21) ved at dreje den mod uret og derefter fjerne derefter den lille spændeskive (20) og den store ydre spændeskive (19).
- Placér skæreskiven (3) på maskinens spindel.
- Sæt først den store ydre spændeskive (19) på, så den lille spændeskive (20) og derefter fastgøresboltene (21) i henhold til fig. C, og stram den med hånden, indtil spindlen begynder at rotere.
- Tryk på spindellåseknappen (9) for at blokere bevægelsen af maskinens spindel.
- Hold spindellåseknappen nede (9). Sæt skiftenøglen (16) på skivebolten, og drej den lidt i retning med uret.
- Når spindelåsen blokerer rotationen, skal skivebolten skrues fast ved hjælp af skiftenøglen (16).
- Løsn spindellåseknappen og sørg for, at spindellåseknappen ikke længere blokerer spindlen.

**Kontrollér derefter, om hjulet er monteret korrekt:**

- Drej skiven (3) nogle få runder med hånden for at kontrollere, om den drejer frit, og om den er justeret korrekt.
- Tænd for maskinen, og lad maskinen køre i mindst 3 minutter.

**Tænd/sluk maskinen (fig. B)**

- Start maskinen ved at trykke og holde på låseknappen (7b) og trykke på tænd/sluk-kontakten (7a).
- Stop maskinen ved at slippe tænd/sluk-kontakten (7a).

**Arbejdsemneklemmen (5) (Fig. A, B, D)**

- Placér emnematerialet mellem forklemmen (13) og bagklemmen (12).
- Løft stopperen (14) som vist i fig. D, og drej skruelhåndtaget (15) fremad, indtil forklemmen (13) rører arbejdsemnet.
- Ryk derefter stopperen (14) ned (for at låse spindlen), og fastgør arbejdsemnet korrekt ved at dreje skruelhåndtaget (15).

**Skæring i vinkler (Fig. E)**

Maskinen tillader skæring i vinkler fra 0° til 45° ved at justere bagklemmen (12).

- Løsn de 2 M10 sekskantstikhovedbolte (22 og 23), som holder bagklemmen (12), indtil skruestikket kan bevæge sig.
- Sæt derefter bagklemmen (12) i den korrekte vinkel, og stram begge bolte (22 og 23) igen.

**Sådan bevæges bagerste skruestik (for at skære større arbejdsstykker) (Fig. F)**

Skruestikket tillader arbejdsemner på maks. 160 mm, når de sendes fra fabrikken. Skruestikket kan justeres bagtil for at tillade en arbejdsemnestørrelse på 195 mm som vist på højre billede (fig. F).

- Løsn de 2 M10-sekskantbolte (22 og 23) på bagklemmen (12) fuldstændigt.
- Flyt klemmen (12) bagud, og fastgør skruerne (22 og 23) til de bageste forbindelseshuller igen.

**Justering af dybdestop (Fig. B)**

Maskinen er udstyret med en bolt til dybdestop; med denne bolt kan den maksimale skæredybde justeres.

- Hvis skæredybden skal justeres, skal du løsne nederste møtrik (10B) og justere dybdeindstillingen ved at dreje den øverste bolt (10A) til de ønskede positioner.
- Fastgør derefter den nederste møtrik (10B) igen.

**Skæreprcedure**

For at skære materiale skal du altid følge følgende procedure:

- Sørg for, at emnet er sat fast og støttet godt, inden maskinen startes.

- Start maskinen i øverste position; lad den løbe i et stykke tid, indtil den når maksimal fart.
- Sørg for, at bladet drejer frit uden vibration.
- Flyt forsigtigt maskinen nedad, indtil den berører materialet.
- Hold fortsat håndtaget med lidt kraft; sørg for, at bladhastigheden ikke falder.
- Slip tænd/sluk-kontakten efter skæring, og flyt forsigtigt maskinen op.
- Fjern kun arbejdsemnet, når skæreskiven er stoppet helt.



*Påfør ikke for meget kraft mod håndtaget, når du skærer. Bladet og maskinen slides hurtigere, og det resulterer ikke i hurtigere skæring.*

#### Inspektion og udskiftning af kulbørsterne

Motoren har 2 kulbørster, som slides under brug. Det er vigtigt at kontrollere kulbørsternes status, da en slidt kulbørste kan resultere i dårlig ydeevne og motorskade.

##### Fjernelse af kulbørster (Fig. B)

- Sørg for, at netstikket er taget ud af stikkontakten.
- Fjern kulbørstens dæksel (8).
- Fjern kulbørsterne ved forsigtigt at trække i fjederen.
- Kontrollér for slid på børsteblokken. Når der er mindre end 6 mm tilbage, er kulbørsten slidt og skal udskiftes med det samme.
- Gentag på den anden side.

##### Isætning af kulbørster igen (Fig. B)

- Sørg for, at netstikket er taget ud af stikkontakten.
- Isæt kulbørsterne, og skub fjederen tilbage på plads.
- Sæt kulbørstens dæksel på (8), mens fjederen holdes nede, og drej dækslet med uret.
- Efter begge kulbørster er blevet geninstalleret, bør du teste, om maskinen kører problemfrit uden gnister.



*Udskift altid begge kulbørster.*

## 4. VEDLIGEHOVELSE



*Inden rengøring og vedligeholdelse skal maskinen altid slukkes, og netstikket skal tages ud af stikkontakten.*

Rengør maskinbeklædningerne regelmæssigt med en blød klud, helst efter hver anvendelse. Sørg for, at der ikke er støv eller snavs i ventilationsåbningerne. Fjern snavs, der sidder meget godt fast, med en blød klud, der er fugtet i sæbevand. Brug ikke opløsningsmidler, som f.eks. benzin, sprit, ammoniak osv. Kemikalier som disse beskadiger de syntetiske komponenter.

## MILJØ



*Defekte og/eller bortskaffede elektriske og elektroniske apparater skal afleveres på en passende genbrugsstation.*

#### Kun for EU-lande

Smid ikke el-værktøjer ud sammen med almindeligt affald. I henhold til de europæiske direktiver 2012/19/EU for elektrisk og elektronisk udstyr og er implementeret i henhold til nationale rettigheder, el-værktøj som ikke længere er anvendelig skal indsamles separat og genbruges på en miljøvenlig måde.

## GARANTIVILKÅR

VONROC produkter er udviklet efter de højeste kvalitetsstandarder og er garanteret fri for mangler i såvel materialer som udførelse i den lovpligtige periode, der starter fra datoen for det oprindelige køb. Skulle produktet udvikle nogen fejl i løbet af denne periode på grund af defekte materialer og/eller fabriktionsfejl, så kontakt VONROC direkte.

De følgende forhold er udelukket fra denne garanti:

- Reparationer og eller rettelser er blevet foretaget eller forsøgt foretaget på maskinen af uautoriserede servicecentre.
- Normal slitage.
- Værktøjet har været misligholdt, misbrugt eller vedligeholdt forkert.
- Ikke originale reservedele er blevet anvendt.

Dette udgør den eneste garanti fra virksomheden enten udtrykt eller underforstået. Der er ingen andre garantier udtrykt eller underforstået, som strækker sig ud over forsiden heraf, heri, herunder underforståede garantier for salgbarhed og egnethed til et bestemt formål. VONROC vil under ingen omstændigheder være ansvarlig for hændelige skader eller følgeskader. Forhandlernes afhjælp-

ningsmidler vil være begrænsede til reparation eller udskiftning af fejlbehæftede enheder eller dele.

**Produktet og brugermanualen kan ændres. Specifikationer kan ændres uden forudgående varsel.**

## 1. INSTRUKCJE BEZPIECZEŃSTWA

Przeczytać dołączone ostrzeżenia dotyczące bezpieczeństwa, dodatkowe ostrzeżenia dotyczące bezpieczeństwa oraz instrukcję. Nieprzestrzeganie ostrzeżeń dotyczących bezpieczeństwa oraz instrukcji może prowadzić do porażenia prądem, pożaru i/lub poważnych obrażeń ciała. Zachować ostrzeżenia dotyczące bezpieczeństwa oraz instrukcje na przyszłość.

Następujące symbole są umieszczone w instrukcji obsługi lub na produkcie:



*Przeczytać instrukcje obsługi.*



*Oznacza ryzyko obrażeń ciała, śmierci lub uszkodzenia narzędzia w razie nieprzestrzegania poleceń z instrukcji.*



*Ryzyko porażenia prądem.*



*Niezwłocznie odłączyć wtyczkę zasilania sieciowego od gniazdka sieciowego, jeśli przewód zasilania sieciowego zostanie uszkodzony, a także na czas czyszczenia i konserwacji.*



*Tylko do użytku w pomieszczeniach.*



*Maszyna klasy II - Podwójna izolacja - Nie trzeba stosować wtyczek z uziemieniem.*



*Zawsze nosić okulary ochronne.*



*Nosić ochronniki słuchu.*



*Nosić rękawice ochronne.*



*Ryzyko wyrzucenia przedmiotów w powietrze. Nie pozwalać osobom postronnym zbliżyć się do obszaru pracy.*



*Nie wyrzucać produktu do nieodpowiednich pojemników.*



*Produkt spełnia wymogi odpowiednich norm bezpieczeństwa podanych w dyrektywach UE.*

## OGÓLNE ZALECENIA DOTYCZĄCE BEZPIECZEŃSTWA



**UWAGA! Przeczytaj wszystkie ostrzeżenia dotyczące bezpieczeństwa i wszystkie instrukcje.** Nieprzestrzeganie wszystkich poniższych instrukcji może być przyczyną porażenia prądem, pożaru i/lub poważnych obrażeń.

### Zachowaj poniższe instrukcje.

Termin „elektronarzędzia akumulatorowe” we wszystkich ostrzeżeniach zamieszczonych poniżej odnosi się do elektronarzędzi akumulatorowych zasilanych sieciowo (przewodowych) lub elektronarzędzi akumulatorowych działających na baterie (beprzewodowych).

#### 1) Obszar roboczy

- a) **Obszar roboczy należy utrzymywać w czystości.** Powinien on być dobrze oświetlony. Nieład i złe oświetlenie mogą z łatwością doprowadzić do wypadku.
- b) **Nie korzystaj z elektronarzędzi akumulatorowych w warunkach, w których łatwo może dojść do wybuchu, np. w obecności łatwopalnych cieczy, gazów lub pyłu.** Podczas pracy elektronarzędzi akumulatorowych powstają iskry, które mogą doprowadzić do zapłonu pyłu lub oparów.
- c) **Dzieci i inne osoby postronne powinny pozostać w bezpiecznej odległości od pracującego urządzenia.** Rozproszenie uwagi może spowodować utratę kontroli nad urządzeniem.

#### 2) Bezpieczeństwo związane z elektrycznością

- a) **Wtyczki elektronarzędzi akumulatorowych muszą być odpowiednie do danego gniazda. Pod żadnym pozorem nie należy modyfikować wtyczki w jakikolwiek sposób. Nie należy używać adapterów, które uziemiają elektronarzędzia akumulatorowe.** Stosowanie wtyczek nie poddanych modyfikacjom oraz odpowiednich gniazd zmniejsza ryzyko porażenia prądem.
- b) **Należy unikać bezpośredniego kontaktu fizycznego z powierzchniami uziemionymi, takimi jak rury, grzejniki, kuchenki, lodówki.** Ryzyko porażenia prądem jest większe, jeśli ciało osoby obsługującej urządzenie jest uziemione.
- c) **Nie należy wystawiać elektronarzędzi akumulatorowych na działanie deszczu lub wilgoci.** Dostanie się wody do wnętrza elektronarzędzia akumulatorowego zwiększy ryzyko porażenia prądem.

- d) **Nie należy używać przewodu w niewłaściwy sposób. Pod żadnym pozorem nie należy wykorzystywać przewodu do przenoszenia lub ciągnięcia elektronarzędzia akumulatorowego, ani do jego odłączania od sieci. Przewodu nie należy wystawiać na działanie ciepła, smarów. Powinien on znajdować się w bezpiecznej odległości od ostrych krawędzi i części ruchomych.** Przewody uszkodzone lub poplątane zwiększają ryzyko porażenia prądem.
  - e) **Podczas korzystania z elektronarzędzia akumulatorowego na wolnym powietrzu, należy używać przewodu przedłużacza przystosowanego do użytku na zewnątrz.** Używanie przewodu nadającego się do użytku na wolnym powietrzu zmniejsza ryzyko porażenia prądem.
  - f) **Jeśli obsługa elektronarzędzia w wilgotnym miejscu jest nieunikniona, użyć zasilania wyposażonego w wyłącznik różnicowo-prądowy.** Użycie wyłącznika różnicowo-prądowego zmniejsza ryzyko porażenia prądem.
- #### 3) Bezpieczeństwo osoby obsługującej urządzenie
- a) **Przez cały czas należy mieć się na baczności, uważać na to, co się robi, a w czasie obsługi elektronarzędzia akumulatorowego postępować mając na uwadze zdrowy rozsądek. Urządzenia nie powinny obsługiwać osoby zmęczone lub będące pod wpływem narkotyków, alkoholu lub leków.** Chwila nieuwagi w czasie obsługi elektronarzędzi akumulatorowych może być przyczyną powstania poważnych obrażeń ciała.
  - b) **Należy korzystać ze sprzętu ochronnego oraz zawsze nosić okulary ochronne.** Sprzęt ochronny, jak na przykład maska przeciwpyłowa, antypoślizgowe obuwie ochronne, kask lub słuchawki ochronne używany we właściwych sytuacjach pozwoli na zmniejszenie ryzyka obrażeń ciała.
  - c) **Unikać niezamierzonego uruchomienia. Przed podłączeniem urządzenia do sieci, zawsze sprawdzić, czy przełącznik znajduje się w pozycji „wyłączony”.** Przenoszenie elektronarzędzi z palcem na przełączniku lub włączonych elektronarzędzi z przełącznikiem w położeniu włączenia jest bardzo niebezpieczne i może powodować wypadki.
  - d) **Przed włączeniem elektronarzędzia akumulatorowego należy usunąć z niego wszystkie klucze nastawcze lub maszynowe.** Pozostawie-

nie klucza zamocowanego na jednej z części obrotowych urządzenia może spowodować powstanie obrażeń ciała.

- e) **Nie należy sięgać ponad urządzeniem. Przez cały czas należy zachować odpowiednią równowagę i zapewnić odpowiednie oparcie dla stóp.** Pozwoli to na lepsze kontrolowanie urządzenia w nieoczekiwanych sytuacjach.
  - f) **Należy nosić odpowiednie ubranie. Do pracy z urządzeniem nie wkładać luźnych ubrań ani biżuterii. Włosy, ubranie i rękawiczki trzymać z dala od części ruchomych.** Luźne części ubrania, biżuteria lub długie włosy mogą zostać wciągnięte przez części ruchome.
  - g) **Jeśli w urządzeniu przewidziano elementy służące do odprowadzania i zbierania pyłu, należy sprawdzić, czy są podłączone, i czy działają we właściwy sposób.** Korzystanie z tego typu elementów pozwala ograniczyć ryzyko związane z wydzielaniem pyłu podczas pracy urządzenia.
  - h) **Nie zezwalać na to, aby rutyna związana z częstym korzystaniem z narzędzi powodowała nadmierną pewność siebie i ignorowanie zasad bezpiecznego korzystania z narzędzi.** Nieodpowiedzialne działanie może spowodować poważne obrażenia ciała w ułamku sekundy.
- 4) Obsługa i konserwacja elektronarzędzi akumulatorowych**
- a) **Urządzenia nie należy przeciążać. Należy korzystać z narzędzia odpowiedniego do danego typu pracy.** Odpowiednio dobrane urządzenie pozwoli na lepsze i bezpieczniejsze wykonanie pracy, we właściwym dla urządzenia tempie.
  - b) **Z elektronarzędzia akumulatorowego nie należy korzystać, jeśli nie można go włączyć i wyłączyć przy pomocy przełącznika.** Urządzenie, którego nie można kontrolować używając przełącznika jest niebezpieczne i powinno być oddane do naprawy.
  - c) **Przed przystąpieniem do regulowania elektronarzędzi akumulatorowych, wymiany akcesoriów lub przygotowywania urządzeń do okresu przechowywania, należy odłączyć wtyczkę od źródła zasilania.** Tego typu środki ostrożności zmniejszają ryzyko przypadkowego uruchomienia urządzenia.
  - d) **Nieczyste elektronarzędzia akumulatorowe należy przechowywać poza zasięgiem dzieci. Nie należy pozwolić, aby osoby nie znające urządzenia lub niniejszych instrukcji obsługi-**

**wały urządzenie.** Elektronarzędzia akumulatorowe w rękach niekompetentnych użytkowników stanowią zagrożenie.

- e) **Elektronarzędzia akumulatorowe należy utrzymywać w dobrym stanie technicznym. Należy sprawdzać, czy części ruchome są właściwie założone, i czy się nie zacinają. Należy również sprawdzać, czy jakieś części nie są uszkodzone oraz sprawdzać wszelkie inne elementy, które mogą wpłynąć na pracę urządzeń. Jeśli urządzenie jest uszkodzone, przed przystąpieniem do jego użytkowania, należy je naprawić.** Częstą przyczyną wypadków jest zły stan techniczny urządzeń.
  - f) **Narzędzia służące do cięcia powinny być naostrzone i utrzymywane w czystości.** Jeśli narzędzia służące do cięcia, które posiadają ostre krawędzie tnące, są właściwie konserwowane, istnieje mniejsze prawdopodobieństwo ich zacinania się. Ponadto, łatwiej je kontrolować.
  - g) **Elektronarzędzia akumulatorowe, akcesoriów, nakładek, itp. należy używać zgodnie z niniejszymi instrukcjami oraz w sposób właściwy dla danego rodzaju urządzenia, z uwzględnieniem warunków pracy oraz jej rodzaju.** Używanie urządzenia niezgodnie z przeznaczeniem może prowadzić do powstania sytuacji niebezpiecznych.
  - h) **Uchwyty należy utrzymywać w stanie suchym, czystym i niezabrudzonym olejem lub smarem.** Śliskie uchwyty i powierzchnie do chwytania nie pozwalają na bezpieczne obchodzenie się z narzędziem i panowanie nad nim w nieoczekiwanych sytuacjach.
- 5) Serwis**
- a) **Zlecać serwisowanie elektronarzędzie wykwalifikowanemu technikowi stosującymi jedynie części zamienne identyczne z oryginalnymi.** Zapewni to zachowanie bezpieczeństwa elektronarzędzia.

## INSTRUKCJE BEZPIECZEŃSTWA DOTYCZĄCE PRZECINAREK ŚCIERNICOWYCH - INSTRUKCJA PRZECINANIA

1. Używać wyłącznie krawędzi tnącej (a nie boku) tarczy do cięcia. Unikać naciskania na tarczę w bok, a w szczególności unikać naciskania powodującego utykanie tarczy.
2. Trzymać obie ręce z dala od tarczy. Podczas cięcia maszyną nie nosić luźnych ubrań, które

- mogłyby zostać pochwycone przez maszynę.
3. Obchodzić się ostrożnie z przecinarką, nigdy jej nie upuszczać, zawsze przechowywać ją w bezpiecznym i suchym miejscu. Unikać skrajnych temperatur i wilgotności.
  4. Dopilnować, aby wszystkie kołnierze tarczy i inne zamocowane części były w dobrym stanie i zmontowane zgodnie z instrukcją. Uszkodzone lub brakujące części mogą prowadzić do uszkodzenia tarczy. Zawsze stosować kołnierze dołączone do maszyny.
  5. Nigdy nie pracować z uszkodzonymi tarczami, ponieważ są one niebezpieczne. Przed wymianą tarczy wyłączyć maszynę. Obrócić tarczę ręcznie i sprawdzić ją pod kątem nierówności, skręcenia lub przetarcia. W przypadku stwierdzenia takich uszkodzeń zdemontować tarczę i wymienić ją na nową. Jeśli tarcza spadnie na podłogę, również ją wymienić. Tarcza po upadku może być krucha, nawet jeśli nie widać na niej oczywistych oznak uszkodzenia.
  6. Przed rozpoczęciem cięcia wykonać przebieg próbny, tzn. cofnąć się o krok, włączyć silnik i sprawdzić, czy silnik pracuje poprawnie. Po wymianie tarczy włączyć przecinarkę bez obciążenia na trzy minuty. Następnie, przed wykonaniem regularnie wykonywanej pracy, zawsze uruchamiać maszynę próbnie na minutę.
  7. Podczas pracy maszyny nigdy nie podejmować prób usuwania obrabianego przedmiotu ani zaciskania w niej obrabianego przedmiotu. Zawsze czekać do całkowitego zatrzymania tarczy przed wyjęciem obrabianego przedmiotu lub zmianą ustawień.
  8. Przed zamontowaniem tarczy wykonanej z żywicy i gumy zawsze sprawdzać jej stan pod kątem przetarcia.
  9. Zawsze sprawdzać, czy maksymalna robocza prędkość obrotowa przecinarki jest zgodna z maksymalną dopuszczalną prędkością obrotową silnika. Nigdy nie przekraczać maksymalnej roboczej prędkości obrotowej podanej na tarczy.
  10. Nigdy nie próbować montować tarczy na maszynie na siłę ani zmieniać rozmiaru osi. Nigdy nie używać niedopasowanych tarczy. Stosować wyłącznie tarcze pasujące do maszyny.
  11. Nie próbować mocować na maszynie tarczy do pilarek, ponieważ maszyna nie jest przeznaczona do cięcia drewna.
  12. Nie rozpoczynać cięcia, dopóki silnik nie osiągnie pełnej prędkości obrotowej.
  13. Jeśli podczas pracy maszyną tarcza przestanie się obracać lub silnik zacznie emitować dźwięki wskazujące na przeciążenie, niezwłocznie wyłączyć maszynę.
  14. Trzymać łatwopalne i delikatne przedmioty z dala od maszyny. Operator maszyny musi chronić swoje dłonie, twarz i stopy przed stycnością z iskrami powstającymi podczas cięcia.
  15. Ustawić maszynę stabilnie na płaskiej i równej powierzchni.
  16. Zasilac maszynę prądem o napięciu zgodnym z wartością podaną na tabliczce znamionowej.
  17. Nigdy nie dotykać właśnie odciętego obrabianego elementu i zawsze poczekać, aż element ostygnie.
  18. Nigdy nie próbować przecinać przedmiotów o rozmiarach przekraczających dopuszczalne rozmiary.
  19. Podczas cięcia nigdy nie stawać w osi cięcia. Zawsze stać z boku.
  20. Nie demontować nigdy urządzeń zabezpieczających.
  21. Zawsze ciąć powoli i ostrożnie. Unikać nagłego przykładania tarczy do obrabianego przedmiotu.
  22. Nigdy nie pchać obrabianego przedmiotu w kierunku tarczy, trzymając go w dłoniach. Zawsze używać zacisku do mocowania obrabianego przedmiotu.
  23. Trzymać dłonie z dala od tarczy tnącej. Nigdy nie przecinać żadnego przedmiotu, który musiałby być przytrzymywany ręcznie w odległości mniejszej niż 15 cm od obracającej się tarczy.
  24. Zapewnić prawidłowe podparcie obrabianego przedmiotu.
  25. Nigdy nie używać płynów obróbkowych. Takie płyny mogą się zapalić lub spowodować porażenie prądem.
  26. Nie przecinać żeliwa.
  27. Nie przecinać tworzyw sztucznych, drewna lub materiałów syntetycznych.
  28. Nie przecinać magnezu.

### Bezpieczeństwo elektryczne



*Zawsze sprawdzać, czy napięcie zasilania jest zgodne z napięciem podanym na tabliczce znamionowej.*

- Nie używać urządzenia, jeśli jego kabel zasilający jest uszkodzony lub wtyczka kabla zasilającego jest uszkodzona.
- Używać wyłącznie przedłużaczy przystosowanych do pracy z parametrami zasilania urządzenie

nia o minimalnej grubości 1,5 mm<sup>2</sup>. W przypadku korzystania z przedłużacza w zwoju, zawsze całkowicie rozwinąć zwój.

Chronić się przed wpływem drgań, konserwując odpowiednio narzędzie i akcesoria, utrzymując ciepłotę dłoni oraz odpowiednio organizując pracę.

## 2. INFORMACJE O MASZYNE

### Przeznaczenie

Przecinarka ściernicowa jest przeznaczona do przecinania przedmiotów stalowych o różnych kształtach.

### DANE TECHNICZNE

Nr. modelu	CS505AC
Napięcie sieciowe	220V-240V~
Częstotliwość sieciowa	50/60Hz
Pobór mocy	2.300 W
Obroty znamionowe	4300/min
Tarcza tnąca	Ø 355mm x Ø 25.4mm
Ciśnienie akustyczne L <sub>PA</sub>	92 dB(A) K=3
Moc akustyczna L <sub>WA</sub>	105 dB(A) K=3
Drgania a <sub>h, AG</sub>	2.90+1.5 m/s <sup>2</sup>
Ciężar	15.8kg
Maks. rozmiar przedmiotów przecinanych pod kątem 90°	
- Prostokątne	115mm x 125mm
- W kształcie L	135mm x 135mm
- Okrągłe	Ø 125mm
Maks. rozmiar przedmiotów przecinanych pod kątem 45°	
- Prostokątne	110mm x 102mm
- W kształcie L	110mm x 110mm
- Okrągłe	Ø 110mm

### Poziom drgań

Poziom emisji drgań podany w tej instrukcji obsługi został zmierzony zgodnie ze standaryzowanym testem podanym w normie EN 62841; może on służyć do porównywania narzędzi ze sobą oraz do wstępnego oszacowania ekspozycji na drgania podczas użytkowania narzędzia do podanych zastosowań.

- używanie narzędzia do innych zastosowań lub z innymi lub źle konserwowanymi akcesoriami może znacząco zwiększać poziom ekspozycji.
- okresy, gdy narzędzie jest wyłączone lub okresy, gdy jest włączone, ale nie pracuje, mogą znacząco zmniejszać poziom ekspozycji.

### OPIS

Liczby w tekście odnoszą się do rysunków na stronach 2-5.

1. Górna osłona zabezpieczająca
2. Ruchoma osłona zabezpieczająca
3. Tarcza tnąca
4. Osłona przeciwickrowa
5. Zacisk obrabianego przedmiotu
6. Uchwyt
- 7a. Włócznik
- 7b. Przycisk wyłączenia blokady
8. Pokrywa szczotki węglowej
9. Przycisk blokady wrzeciona
- 10A. Śruba ogranicznika głębokości
- 10B. Nakrętka ogranicznika głębokości
11. Bolec blokady transportowej
12. Tylny zacisk obrabianego przedmiotu
13. Przedni zacisk obrabianego przedmiotu
14. Dźwignia blokady
15. Wrzeciono obrabianego przedmiotu
16. Klucz do wymiany tarczy
17. Wrzeciono maszyny
18. Duża podkładka wewnętrzna
19. Duża podkładka zewnętrzna
20. Mała podkładka
21. Śruba tarczy

## 3. OBSŁUGA



*Przed wymianą tarczy lub regulacją maszyny wyjąć wtyczkę zasilania z gniazdka ściennego.*

### Demontaż blokady transportowej (Rys. B)

Maszyna jest wyposażona w bolec blokady transportowej (11), który utrzymuje ją w pozycji złożonej, ułatwiającej transport i magazynowanie. Przycisk blokady blokuje ruch przecinarki w pionie. Przed użyciem przecinarki blokadę należy usunąć.

- Aby zdemontować blokadę transportową, lekko docisnąć maszynę w dół. Dociskając maszynę w dół, wyjąć bolec blokady transportowej (11) drugą ręką.
- Po wyciągnięciu bolca (11) maszynę można swobodnie przesunąć w pionie.

**Montaż blokady transportowej (Rys. B)**

- Wcisnąć maszynę do najniższego położenia.
- Następnie wcisnąć bolec blokady transportowej (11), aż wsunie się na miejsce.

**Montaż/demontaż tarczy tnącej (Rys. A, B, C)**

Zawsze odłączać wtyczkę zasilania z gniazdka przed rozpoczęciem wymiany tarczy.



Podczas wymiany tarczy zawsze przestrzegać instrukcji dotyczących bezpieczeństwa.

**Demontaż tarczy tnącej**

- Wyjąć klucz do tarczy (16) z podstawy maszyny.
- Demontaż tarczy jest łatwiejszy, gdy ruchoma osłona zabezpieczająca (2) jest podniesiona.
- Wcisnąć przycisk blokady wrzeciona (9), aby zablokować ruch wrzeciona maszyny.
- Trzymać przycisk blokady wrzeciona wciśnięty (9). Założyć klucz (16) na śrubę tarczy i lekko ją obrócić, aż przycisk (9) zostanie maksymalnie wciśnięty do środka i ruch wrzeciona zostanie zablokowany.
- Usunąć śrubę (21), małą podkładkę (20) i dużą podkładkę zewnętrzną (19).
- Następnie zdemontować tarczę tnącą (3).

**Montaż tarczy tnącej**

- Jeśli ta czynność jeszcze nie została wykonana, wykręcić śrubę (21), obracając ją przeciwnie do wskazówek zegara, a następnie usunąć małą podkładkę (20) i dużą podkładkę zewnętrzną (19).
- Założyć tarczę tnącą (3) na wrzeciono maszyny.
- Najpierw założyć dużą podkładkę zewnętrzną (19), potem małą podkładkę (20), a następnie śrubę mocującą (21) zgodnie z rysunkiem C, a następnie dokręcać ją ręką, aż wrzeciono zacznie się obracać wraz ze śrubą.
- Wcisnąć przycisk blokady wrzeciona (9), aby zablokować ruch wrzeciona maszyny.
- Trzymać przycisk blokady wrzeciona wciśnięty (9). Założyć klucz (16) na śrubę tarczy i lekko ją obrócić zgodnie ze wskazówkami zegara.
- Kiedy blokada wrzeciona zatrzyma obrót, dokręcić śrubę tarczy kluczem (16).
- Poluzować przycisk blokady wrzeciona, aby przycisk już nie blokował wrzeciona.

**Następnie sprawdzić, czy tarcza została zamontowana poprawnie:**

- Obrócić tarczę (3) ręcznie o kilka obrotów, aby sprawdzić, czy obraca się swobodnie i jest dobrze wyosiowana.
- Włączyć maszynę i pozwolić jej pracować bez obciążenia przez co najmniej 3 minuty.

**Włączanie i wyłączanie narzędzia (Rys. B)**

- Aby włączyć maszynę, wcisnąć i przytrzymać przycisk wyłączania blokady (7b) i wcisnąć włącznik (7a).
- Aby zatrzymać maszynę, zwolnić włącznik (7a).

**Zacisk obrabianego przedmiotu (5) (Rys. A, B, D)**

- Umieścić obrabiany przedmiot między przednim zaciskiem (13) a tylnym zaciskiem (12).
- Podnieść blokadę (14) zgodnie z Rys. D i obracać uchwyt śruby (15), wkręcając pręt gwintowany naprzód, aż przedni zacisk (13) dotknie obrabianego przedmiotu.
- Następnie przestawić blokadę (14) w dół (aby zablokować wrzeciono) i solidnie unieruchomić obrabiany przedmiot, obracając uchwytem śruby (15).

**Cięcie ukosowe (Rys. E)**

Maszyna pozwala na cięcie pod kątem od 0° do 45° dzięki regulacji ustawienia tylnego zacisku (12).

- Wykręcać 2 śruby M10 z łbami sześciokątnymi (22 i 23), które mocują tylny zacisk (12), aż imadło będzie mogło się poruszać.
- Następnie ustawić tylny zacisk (12) na prawidłowy kąt i ponownie dokręcić obie śruby (22 i 23).

**Przesuwanie tylnego imadła (w celu cięcia większych elementów) (Rys. F)**

Imadło mieści przedmioty o maksymalnej wielkości 160 mm przy ustawieniach fabrycznych. Imadło można odsunąć do tyłu, aby umożliwić zamocowanie obrabianych przedmiotów o wielkości 195 mm, zgodnie ze zdjęciem po prawej stronie (rys. F).

- Całkowicie wykręcić 2 śruby M10 z łbami sześciokątnymi (22 i 23) na tylnym zacisku (12).
- Przesunąć zacisk (12) do tyłu i ponownie wkręcić śruby (22 i 23) przez tylne otwory połączeniowe.

**Regulacja ogranicznika głębokości (Rys. B)**

Maszyna jest wyposażona w śrubę ogranicznika głębokości, która pozwala na regulację maksymalnej głębokości cięcia.



- Jeśli konieczna jest regulacja głębokości cięcia, poluzować dolną nakrętkę (10B), a następnie ustawić głębokość cięcia, obracając górną śrubę (10A) w żądane położenie.
- Następnie ponownie dokręcić dolną nakrętkę (10B).

#### Procedura przecinania

Aby przeciąć materiał, zawsze postępować zgodnie z poniższą procedurą:

- Przed uruchomieniem maszyny dopilnować, aby obrabiany przedmiot był dobrze zaciśnięty i podparty.
- Uruchomić maszynę z tarczą w górnym położeniu i pozwolić jej pracować przez chwilę, aż osiągnie maksymalne obroty.
- Sprawdzić, czy tarcza obraca się swobodnie i nie wibruje.
- Delikatnie opuścić tarczę, aż zetknie się z obrabianym przedmiotem.
- Lekko docisnąć uchwyt maszyny, dopilnowując, aby prędkość obrotowa tarczy nie spadała.
- Po zakończeniu cięcia zwolnić włącznik i delikatnie podnieść tarczę maszyny do góry.
- Usunąć obrabiany przedmiot dopiero po całkowitym zatrzymaniu się tarczy tnącej.



*Nie wywierać nadmiernego nacisku na uchwyt podczas cięcia, ponieważ spowoduje to przedwczesne zużycie tarczy oraz maszyny i nie przyspieszy cięcia.*

#### Kontrola i wymiana szczotek węglowych

Silnik jest wyposażony w 2 szczotki węglowe, które zużywają się podczas użytkowania. Należy pamiętać o sprawdzaniu stanu szczotek węglowych, ponieważ zużyte szczotki mogą obniżyć wydajność maszyny i prowadzić do uszkodzenia silnika.

#### Demontaż szczotek węglowych (Rys. B)

- Dopilnować, aby wtyczka zasilania była wyjęta z gniazdka ściennego.
- Zdjąć pokrywę szczotki węglowej (8).
- Zdemontować szczotki węglowe, delikatnie pociągając za sprężynę.
- Sprawdzić zużycie szczotek. Jeśli pozostała grubość szczotki jest mniejsza niż 6 mm, szczotka jest zużyta i należy ją niezwłocznie wymienić.
- Powtórzyć po drugiej stronie.

#### Ponowny montaż szczotek węglowych (Rys. B)

- Dopilnować, aby wtyczka zasilania była wyjęta z gniazdka ściennego.
- Włożyć szczotki węglowe i wcisnąć sprężynę z powrotem na miejsce.
- Dociskając sprężynę, założyć pokrywę szczotki węglowej (8), a następnie obrócić ją zgodnie ze wskazówkami zegara.
- Po ponownym założeniu szczotek węglowych sprawdzić, czy maszyna pracuje płynnie bez iskrzenia.



*Zawsze wymieniać obie szczotki węglowe.*

## 4. KONSERWACJA



*Zawsze odłączać narzędzie od zasilania sieciowego przed rozpoczęciem przeprowadzania jakichkolwiek prac konserwacyjnych.*

Czyścić obudowę maszyny regularnie miękką ściereczką, najlepiej po każdym użyciu. Dopilnować, aby otwory wentylacyjne były wolne od pyłu, kurzu i zabrudzeń. Usuwać odporne zabrudzenia miękką ściereczką zwilżoną mydlinami. Nie używać żadnych rozpuszczalników, takich jak benzyna, alkohol, amoniak itp. Takie substancje chemiczne spowodują uszkodzenie części z tworzyw sztucznych.

## ŚRODOWISKO



*Uszkodzone i/lub niepotrzebne urządzenia elektryczne lub elektroniczne podlegają zbiórce w odpowiednich punktach recyklingu.*

#### Tylko kraje WE

Nie wyrzucac elektronarzędzi wraz z odpadami z gospodarstw domowych. Zgodnie z dyrektywą 2012/19/WE dotyczącą zużytych urządzeń elektrycznych i elektronicznych oraz jej wdrożeniem do prawodawstwa krajowego, elektronarzędzia, które już nie nadają się do użytku, podlegają oddzielnej zbiórce oraz utylizacji w sposób przyjazny dla środowiska.

## GWARANCJA

Produkty VONROC są wytwarzane zgodnie z najwyższymi standardami jakości i producent udziela gwarancji na wady materiałowe i wady wykonania na okres wymagany prawem, licząc

od dnia zakupu. Jeśli wystąpi usterka produktu w tym okresie spowodowana wadą materiałową i/lub wadą wykonania, proszę bezpośrednio skontaktować się ze sprzedawcą VONROC.

Następujące okoliczności powodują unieważnienie gwarancji:

- Przeprowadzono naprawy lub modyfikacje narzędzia w serwisie innym lub autoryzowany lub podjęto ich próbe;
- Normalne zużycie nie jest objęte gwarancją;
- Narzędzie było używane niezgodnie z przeznaczeniem, źle z nim się obchodzono lub było nieprawidłowo konserwowane;
- Użyto części zamiennych innych niż oryginalne.

Niniejsza gwarancja to wyłączna gwarancja producenta i nie obowiązują żadne inne wyrażone ani dorozumiane gwarancje. Nie obowiązują żadne inne wyrażone ani dorozumiane gwarancje o zakresie przekraczającym niniejszą gwarancję, co obejmuje dorozumiane gwarancje przydatności do sprzedaży i przydatności do określonego celu. W żadnym przypadku firma VONROC nie ponosi odpowiedzialności za straty przypadkowe lub wynikowe. Zadośćuczynienie sprzedawcy jest ograniczone do naprawy lub wymiany niezgodnych urządzeń lub części.

**Produkt i instrukcja obsługi podlegają zmianom. Dane techniczne podlegają zmianom bez uprzedzenia.**

## 1. INSTRUCȚIUNI DE SIGURANȚĂ

Citiți avertizările de siguranță, avertizările de siguranță suplimentare și instrucțiunile. Nerespectarea avertizărilor de siguranță poate cauza producerea de electrocutări, incendii și/sau răniri grave. Păstrați avertizările de siguranță și instrucțiunile pentru referințe viitoare.

În manualul de utilizare sau pe produs se utilizează următoarele simboluri:



*Citiți manualul de utilizare.*



*Indică riscul de rănire personală, pierderea vieții sau deteriorarea sculei în cazul în care nu se respectă instrucțiunile din acest manual.*



*Pericol de electrocutare.*



*Îndepărtați imediat fișa de la priza de rețea în cazul în care cablul de alimentare se deteriorează în timpul procedurilor de curățare și de întreținere.*



*Destinat numai utilizării în interior.*



*Mașină din clasa II - Izolație dublă - Nu este necesară o priză cu împământare.*



*Purtați echipament de protecție pentru ochi.*



*Purtați protecții antifonice.*



*Purtați mănuși de protecție.*



*Pericol de proiectare a obiectelor. Nu permiteți accesul altor persoane în zona de lucru.*



*Nu eliminați produsul în containere neadecvate.*



*Produsul este în conformitate cu standardele de siguranță aplicabile din directivele europene.*

## AVERTISMENTE GENERALE DE SIGURANȚĂ PRIVIND UNELELE ELECTRICE



**AVERTISMENT! Citiți toate avertismentele de siguranță și toate instrucțiunile.**

*Nerespectarea avertismentelor și instrucțiunilor poate cauza producerea de electrocutări, incendii și/sau răni grave.*

**Păstrați toate avertismentele și instrucțiunile pentru consultare ulterioară.**

Termenul „unealtă electrică” din avertismente se referă la scula electrică (cu fir) sau la unealta electrică cu baterie (fără fir).

### 1) Siguranța zonei de lucru

- Păstrați zona de lucru curată și bine iluminată.** Zonele dezordonate sau întunecate duc la accidente.
- Nu operați uneltele electrice în atmosfere explozive, cum ar fi în prezența lichidelor, gazelor sau pulberilor explozive.** Uneltele electrice generează scânteii care pot aprinde pulberea sau fumul inflamabile.
- Țineți la distanță copiii și persoanele din jur în timp ce operați o unealtă electrică.** Distragerile vă pot cauza pierderea controlului.

### 2) Siguranța electrică

- Ștecherile uneltelor electrice trebuie să se potrivească cu priza. Nu modificați niciodată în nici un fel mufele. Nu folosiți adaptoare de priză cu scule electrice legate de pământ (împământate).** Mufele nemodificate și prizele adecvate reduc riscul șocului electric.
- Evitați contactul corpului cu suprafețele împământate precum țevi, radiatoare, cuptoare și frigider.** Există un risc mai mare de electrocutare dacă vă este corpul împământat.
- Nu expuneți uneltele electrice la ploaie sau condiții de umezeală.** Apa care pătrunde într-o unealtă electrică va spori riscul de electrocutare.
- Nu manipulați necorespunzător cablul. Nu folosiți niciodată cordonul pentru a purta, a trage sau a deconecta unealta. Feriți cordonul de căldură, ulei, margini ascuțite sau piese mobile.** Cordoane distruse sau încurcate cresc riscul de electrocutare.
- Atunci când operați o unealtă de lucru în aer liber, utilizați un prelungitor pentru exterior.**

Folosirea unui cordon adecvat pentru uzul în aer liber scade riscul de electrocutare.

- În cazul în care operarea unei unelte electrice într-un spațiu cu umiditate nu poate fi evitată, utilizați o alimentare cu protecție pentru dispozitivele de curent rezidual (RCD).** Utilizarea unui RCD reduce riscul de electrocutare.
- ### 3) Siguranța personală
- Fiți precauți, fiți atenți la ceea ce faceți și respectați regulile de bun simț atunci când operați o unealtă electrică. Nu folosiți unealta electrică atunci când sunteți obosit sau sub influența drogurilor, alcoolului sau unui tratament medicamentos.** Un moment de neatenție în timpul operării uneltelor electrice poate cauza vătămări corporale grave.
  - Utilizați echipamentul de protecție corporală. Purtați întotdeauna protecție pentru ochi.** Echipamentul de protecție precum masca de praf, pantofii de protecție antiderapați, casca de protecție sau protecția auzului utilizate în condiții adecvate vor reduce răniile personale.
  - Preîntâmpinați pornirea accidentală. Asigurați-vă că comutatorul este în poziția oprit înainte de a vă conecta la sursa de alimentare și / sau la baterie, de a ridica sau purta instrumentul.** Purtarea de unelte electrice ținând degetul pe comutator sau alimentarea uneltelor electrice care au comutatorul pornit duc la accidente.
  - Îndepărtați orice cheie sau clește de reglare înainte de a porni unealta electrică.** Un clește sau o cheie lăsată atașată unei piese rotative a uneltei electrice poate cauza vătămări corporale.
  - Nu vă întindeți pentru a utiliza unealta de lucru. Mențineți-vă întotdeauna stabilitatea și echilibrul.** Acest lucru permite un control mai bun al uneltei electrice în situații neașteptate.
  - Îmbrăcați-vă corespunzător. Nu purtați haine largi sau bijuterii. Țineți-vă părul, îmbrăcăminte și mănușile departe de piesele mobile.** Hainele largi, bijuteriile sau părul lung pot fi prinse în părțile mobile.
  - În cazul în care dispozitivele prezintă posibilitatea conectării de accesorii pentru aspirația și colectarea prafului, asigurați-vă că aceste accesorii sunt conectate și utilizate în mod corespunzător.** Utilizarea colectării prafului poate reduce pericolele legate de praf.

- h) **Nu lăsați ca obișnuința obținută prin utilizarea frecventă a uneltelor să vă permită să deveniți impasibil și să ignorați principiile de siguranță în utilizarea uneltelor.** O acțiune neglijentă poate provoca accidente grave într-o fracțiune de secundă.
- 4) **Utilizarea și îngrijirea uneltelor electrice**
- a) **Nu forțați unealta electrică. Utilizați unealta electrică adecvată aplicației dvs.** Unealta electrică corectă va face munca mai bine și mai sigur la rata pentru care a fost proiectată.
- b) **Nu utilizați unealta electrică în cazul în care întrerupătorul nu comută în poziția pornit și oprit.** Orice unealtă electrică care nu poate fi controlată cu comutatorul este periculoasă și trebuie reparată.
- c) **Deconectați ștecherul de la sursa de alimentare și/sau acumulatorul de la unealta electrică înaintea efectuării oricărui reglaje, modificării accesoriilor sau depozitării uneltelor electrice.** Aceste măsuri preventive de precauție reduc riscul de pornire accidentală.
- d) **Nu depozitați uneltele electrice în stare inactivă la îndemâna copiilor și nu permiteți persoanelor nefamiliarizate cu unealta de lucru sau cu aceste instrucțiuni să o utilizeze.** Uneltele electrice sunt periculoase în mâinile utilizatorilor neinstruiți.
- e) **Efectuați întreținerea uneltelor electrice. Verificați alinierea sau configurarea greșită a pieselor mobile, ruperea pieselor și orice alte condiții care ar putea afecta funcționarea uneltei electrice. În cazul deteriorării, reparați unealta electrică înainte de uz.** Multe accidente sunt cauzate de unelte electrice slab întreținute.
- f) **Păstrați uneltele de tăiat ascuțite și curate.** Uneltele de tăiat corect întreținute cu muchii ascuțite au mai puține șanse să se lege și sunt mai ușor de controlat.
- g) **Utilizați unealta electrică, accesoriile și cuțitele uneltei etc. conform acestor instrucțiuni, ținând cont de condițiile de lucru și de lucrarea ce trebuie să fie efectuată.** Folosirea uneltei electrice pentru operații diferite decât acelea destinate pot cauza o situație periculoasă.
- h) **Țineți mânerul și suprafețele de prindere uscate, curate și lipsite de ulei și unsoare.** Mânere și suprafețele de prindere alunecoase nu permit manipularea și controlul uneltei în de siguranță în situații neașteptate.

## 5) Service

- a) **Prevedeți repararea uneltei de lucru de către o persoană calificată, folosind exclusiv piese de schimb identice.** Acest lucru va garanta păstrarea în siguranță a uneltei electrice.

## INSTRUCȚIUNI DE SIGURANȚĂ PENTRU FERĂSTRAIE CIRCULARĂ DE DEBITAT - INSTRUCȚIUNI DE TĂIERE

1. Pentru tăiere, folosiți doar marginea de tăiere (niciodată partea laterală) a discului. Evitați să aplicați presiune pe părțile laterale ale discului, în special, pentru a preveni blocarea acestora.
2. Țineți mâinile și corpul la distanță față de disc. În timp ce tăiați cu mașina, nu purtați îmbrăcăminte largă care ar putea fi prinsă.
3. Manevrați cu atenție ferăstrăul circular cu disc, nu îl scăpați și depozitați-l într-o locație sigură și uscată. Evitați temperaturile excesive și umiditatea.
4. Asigurați-vă că toate flanșele discului și celelalte piese montate sunt în stare bună și asamblate în conformitate cu instrucțiunile. Piese deteriorate sau lipsă pot cauza deteriorarea discului. Întotdeauna folosiți flanșele livrate împreună cu mașina.
5. Nu operați niciodată cu discurile deteriorate, întrucât acestea pot fi periculoase. Atunci când schimbați discul, opriți mai întâi mașina. Rotiți discul manual și inspectați-l cu privire la neuniformități, deformări sau forfecări. Dacă le detectați, îndepărtați discul și înlocuiți-l cu unul nou. De asemenea, înlocuiți discul în cazul în care acesta cade. Funcționarea acestuia poate fi afectată chiar dacă deteriorările nu sunt vizibile.
6. Înainte de a începe tăierea, efectuați un test, adică faceți un pas înapoi, porniți motorul și asigurați-vă că discul funcționează corect. După schimbarea discului, lăsați ferăstrăul să funcționeze timp de trei minute; apoi, înainte de a începe o rutină de lucru, efectuați un test timp de un minut.
7. În timp ce mașina funcționează, nu încercați niciodată să îndepărtați sau să fixați o piesă de prelucrat. Înainte de îndepărtarea unei piese de prelucrat sau de modificarea setărilor, așteptați întotdeauna până la oprirea completă a rotirii discului.

8. Înainte de instalarea discului, inspectați întotdeauna ca discul tratat cu rășină și cauciuc să nu prezinte forfecări.
9. Comparați întotdeauna viteza maximă de operare a ferăstrăului de tăiere cu disc și viteza maximă permisă a motorului. Nu depășiți niciodată viteza de operare maximă permisă indicată pe disc.
10. Nu încercați niciodată să montați cu forța un disc la mașină sau să schimbați dimensiunea axurilor. Nu utilizați niciodată discuri care nu se potrivesc. Utilizați doar discuri care se potrivesc cu mașina.
11. Nu încercați să atașați la mașină lame de ferăstrău care nu sunt proiectate pentru tăierea lemnului.
12. Nu începeți tăierea decât după ce motorul și-a atins viteza maximă.
13. Dacă, în timpul operării, discul nu se mai rotește sau motorul este suprasolicitat, opriți imediat mașina.
14. Țineți obiectele inflamabile sau fragile la distanță față de mașină. Operatorul mașinii trebuie să evite ca mâinile, fața sau picioarele sale să intre în contact cu scânteile cauzate la tăiere.
15. Fixați-vă mașina pe o suprafață plană și uniformă.
16. Operați mașina doar la tensiunea menționată pe plăcuța de fabricație.
17. Nu atingeți niciodată o piesă de prelucrat abia debitată, lăsați-o întotdeauna să se răcească.
18. Nu încercați niciodată să tăiați piese de prelucrat care depășesc dimensiunea permisă.
19. În timpul tăierii, nu vă poziționați niciodată în direcția de tăiere. Rămâneți întotdeauna în lateral.
20. Păstrați întotdeauna dispozitivele de siguranță montate.
21. Asigurați-vă întotdeauna că efectuați tăierea lent și cu atenție. Evitați mișcările bruște atunci când aplicați discul pe piesa de prelucrat.
22. Nu împingeți niciodată piesa de prelucrat spre disc în timp ce o țineți în mâini. Utilizați întotdeauna clema pentru a fixa piesa de prelucrat.
23. Țineți mâinile la distanță față de discul de tăiere. Nu tăiați niciodată piesele de prelucrat dacă este necesar să vă folosiți mâinile la mai puțin de 15 cm față de discul rotativ.
24. Asigurați-vă că piesa de prelucrat este susținută adecvat.

25. Nu utilizați niciodată lichide de tăiere. Aceste lichide s-ar putea aprinde sau ar putea cauza șocuri electrice.
26. Nu tăiați materiale din fontă.
27. Nu tăiați materiale din plastic, lemn sau sintetice.
28. Nu tăiați magnezium.

### Instrucțiuni de siguranță privind alimentarea electrică



Verificați întotdeauna ca tensiunea de la alimentarea cu energie să corespundă tensiunii de pe plăcuța cu specificații.

- Nu utilizați aparatul în cazul în care cablul de alimentare sau ștecherul este deteriorat sau defect.
- Folosiți numai cabluri prelungitoare adecvate pentru puterea mașinii cu o grosime minimă de 1,5 mm<sup>2</sup>. Dacă utilizați o bobină de cablu de extensie, derulați întotdeauna complet cablul.

## 2. INFORMAȚII CU PRIVIRE LA MAȘINĂ

### Domeniul de utilizare

Ferăstrăul circular de debitat a fost proiectat pentru tăierea materialelor din oțel, în diferite forme.

### SPECIFICAȚII TEHNICE

Nr. model	CS505AC
Tensiune rețea	220V-240V~
Frecvența prizei	50/60Hz
Puterea de alimentare	2,300W
Viteza nominală	4300/min
Dimensiuni lamă de ferăstrău	Ø 355mm x Ø 25,4mm
Presiune sonoră L <sub>PA</sub>	92 dB(A) K=3
Capacitate sonoră L <sub>WA</sub>	105 dB(A) K=3
Vibrația a <sub>B, AG</sub>	2,90+1,5 m/s <sup>2</sup>
Greutate	15,8 kg
Capacitate max. de tăiere la 90°	
- Dreptunghiular	115mm x 125mm
- În formă de L	135mm x 135mm
- Circular	Ø 125 mm

Capacitate max. de tăiere la 45°	
- Dreptunghiular	110mm x 102mm
- În formă de L	110mm x 110mm
- Circular	Ø 110 mm

### Nivelul vibrațiilor

Nivelul emisiilor de vibrații menționat în acest manual de instrucțiuni a fost măsurat în conformitate cu un test standardizat precizat în EN 62841; poate fi folosit pentru a compara o sculă cu alta și ca evaluare preliminară a expunerii la vibrații atunci când folosiți scula pentru aplicațiile menționate.

- Utilizarea sculei pentru aplicații diferite sau cu accesorii diferite și prost întreținute, poate crește semnificativ nivelul de expunere.
- Momentele în care scula este oprită sau când funcționează dar nu execută nicio lucrare, pot reduce semnificativ nivelul de expunere.

Protejați-vă împotriva efectelor vibrațiilor prin întreținerea sculei și a accesoriilor sale, păstrând mâinile calde și organizând procesele de lucru.

### DESCRIERE

Numererele din text se referă la diagramele de la paginile 2-5.

1. Dispozitiv de protecție superior
2. Dispozitiv de protecție mobil
3. Disc de tăiere
4. Deflector de scânteii
5. Clemă de fixare piesă de prelucrat
6. Mâner de prindere
- 7a. Comutator de pornire/oprire
- 7b. Buton blocare
8. Capac perie de cărbune
9. Buton de blocare ax
- 10A. Bulon pentru limitator de adâncime
- 10B. Piuliță pentru limitator de adâncime
11. Știft de blocare la transport
12. Clemă spate piesă de prelucrat
13. Clemă față piesă de prelucrat
14. Manetă opritoare
15. Ax piesă de prelucrat
16. Cheie de schimbare a discului
17. Ax mașină
18. Șaibă interioară mare
19. Șaibă exterioară mare
20. Șaibă mare

21. Bulon disc

### 3. OPERARE



Înainte de a schimba lamele sau de a regla mașina, scoateți mai întâi ștecherul din priză de perete.

#### Îndepărtarea blocării de transport (Fig. B)

Mașina are un știft de blocare la transport (11) care îi menține poziția și facilitează transportul și depozitarea dispozitivului. Butonul de blocare blochează mișcarea în sus/jos a ferăstrăului. Acesta trebuie dezactivat înainte de utilizarea ferăstrăului.

- Îndepărtați blocarea la transport prin împingerea ușoară a mașinii în jos. Când împingeți în jos, știftul de blocare la transport (11) poate fi scos cu cealaltă mână.
- După ce știftul (11) a fost scos, mașina se poate deplasa liber în sus și în jos.

#### Activarea blocării de transport (Fig. B)

- Împingeți mașina în cea mai joasă poziție a sa.
- Apoi împingeți știftul de blocare la transport (11) până acesta glisează în poziția sa.

#### Adăugarea / Îndepărtarea unui disc de tăiere (Fig. A, B, C)



Îndepărtați întotdeauna ștecherul de alimentare înainte de schimbarea discurilor.



La schimbarea discurilor, verificați întotdeauna instrucțiunile de siguranță corespunzătoare.

#### Îndepărtarea unui disc de tăiere

- Scoateți cheia pentru disc (16) de la baza mașinii.
- Îndepărtarea discului este mai ușoară dacă dispozitivul de protecție mobil (2) este deplasat în sus.
- Apăsăți butonul de blocare a axului (9) pentru a bloca mișcarea arborelui mașinii.
- Mențineți apăsat butonul de blocare a axului (9). Amplasăți cheia (16) pe bulonul discului și rotiți-o lent până când butonul (9) este împins la maximum și rotația axului este blocată.
- Îndepărtați bulonul (21), șaiba mică (20), șaiba mare exterioară (19).
- Apoi, îndepărtați discurile de tăiere (3).

**Montarea unui disc de tăiere**

- În cazul în care acest lucru nu a fost efectuat încă, îndepărtați bulonul (21) rotindu-l în sens antiorar, apoi îndepărtați șaiba mică (20) și șaiba mare exterioară (19).
- Amplasați discul de tăiere (3) pe axul mașinii.
- Mai întâi adăugați șaiba exterioară mare (19), apoi șaiba mică (20) și apoi bulonul de fixare (21), conform fig C. și strângeți manual până când arborele începe să se rotească.
- Apăsăți butonul de blocare a axului (9) pentru a bloca mișcarea arborelui mașinii.
- Mențineți apăsat butonul de blocare a axului (9). Amplasați cheia (16) pe bulonul discului și rotiți-l lent în sens orar.
- Când blocarea axului blochează rotirea, strângeți bulonul discului cu ajutorul cheii (16).
- Slăbiți butonul de blocare a axului și asigurați-vă că butonul de blocare a axului nu mai blochează axul.

Apoi verificați dacă roata este asamblată în mod corect:

- Rotiți manual discul (3) de câteva ori, pentru a verifica dacă se rotește liber și dacă este bine aliniat.
- Porniți mașina să lăsați-o să funcționeze timp de cel puțin 3 minute.

**Pornirea/oprirea mașinii (Fig. B)**

- Pentru a porni aparatul, apăsați și mențineți apăsat butonul de blocare (7b) și apăsați butonul de pornire/oprire (7a).
- Pentru a opri mașina, eliberați comutatorul de pornire/oprire (7a).

**Clemă de fixare piesă de prelucrat (5) (Fig. A, B, D)**

- Amplasați materialul piesei de prelucrat între cleva frontală (13) și cleva posterioară (12).
- Ridicați opritorul (14), conform Fig. D. și rotiți mânerul filetat (15) înainte până când cleva frontală (13) atinge piesa de prelucrat.
- Apoi deplasați opritorul (14) în jos (pentru blocarea axului) și fixați bine piesa de prelucrat prin rotirea mânerului filetat (15).

**Tăierea în unghi (Fig. E)**

Mașina permite tăierea în unghiuri cuprinse între 0° și 45° prin reglarea clemei posterioare (12).

- Slăbiți cele 2 buloane cu adâncitura capului hexagonală M10 (22 și 23) care țin cleva

posterioară (12) până când menghina se poate deplasa.

- Apoi setați cleva posterioară (12) la unghiul corect și strângeți din nou ambele buloane (22 și 23).

**Deplasarea menghinei posterioare (pentru tăierea pieselor de prelucrat mai mari) (Fig. F)**

La livrarea din fabrică, menghina permite o dimensiune maximă de 160 mm pentru piesele de prelucrat. Menghina poate fi ajustată la partea posterioară pentru a permite o dimensiune de 195 mm pentru piesele de prelucrat, ca în imaginea din dreapta (fig. F).

- Slăbiți complet cele 2 buloane hexagonale M10 (22 și 23) de la cleva posterioară (12).
- Deplasați cleva (12) înapoi și fixați buloanele (22 și 23) din nou la orificiile de conectare din spate.

**Reglarea opritorului de adâncime (Fig. B)**

Mașina este echipată cu un bulon pentru limitatorul de adâncime, cu ajutorul căruia poate fi ajustată adâncimea de tăiere maximă.

- Dacă adâncimea de tăiere trebuie să fie ajustată, slăbiți piulița inferioară (10B), apoi ajustați setarea adâncimii prin rotirea bulonului superior (10A) la pozițiile dorite.
- Apoi, fixați din nou piulița inferioară (10B).

**Procedura de tăiere**

Pentru a tăia materialul, urmați întotdeauna următoarea procedură:

- Asigurați-vă că piesa de prelucrat este fixată și bine sprijinită înainte să porniți mașina.
- Porniți mașina în poziția superioară și lăsați-o să funcționeze până când atinge viteza maximă.
- Asigurați-vă că lama se rotește liber, fără vibrații.
- Deplasați lent mașina în jos, până aceasta atinge materialul.
- Apăsăți mânerul cu puțină forță și asigurați-vă că viteza lamei nu scade.
- Eliberați comutatorul de pornire/oprire după tăiere și deplasați lent mașina în sus.
- Îndepărtați piesa de prelucrat numai după ce discul de tăiere s-a oprit complet din funcționare.



*Nu aplicați forță excesivă pe mâner la tăiere, întrucât lama și mașina se vor uza mai rapid și procesul de tăiere nu va fi mai rapid.*

#### **Inspectarea și înlocuirea periiilor de cărbune**

Motorul dispune de 2 perii de cărbune care se vor uza în timpul utilizării. Este important să verificați starea periiilor de cărbune, întrucât o perie de cărbune uzată va conduce la o performanță slabă și deteriorarea motorului.

#### Îndepărtarea periiilor de cărbune (Fig. B)

- Asigurați-vă că ștecherul de alimentare este scos din priza de perete.
- Îndepărtați capacul periei de cărbune (8).
- Îndepărtați periiile de cărbune prin tragerea lentă a arcului.
- Verificați uzura de la blocul periiilor, iar dacă există mai puțin de 6 mm, peria de cărbune este uzată și trebuie înlocuită imediat.
- Repetați procedura pe partea cealaltă.

#### Introduceți din nou periiile de cărbune (Fig. B)

- Asigurați-vă că ștecherul de alimentare este îndepărtat de la priza de perete.
- Introduceți periiile de cărbune și împingeți arcul înapoi.
- Adăugați capacul periei de cărbune (8), ținând arcul împins, și rotiți capacul în sens orar.
- După reinstalarea ambelor perii de cărbune, verificați dacă mașina operează fără a scoate scânteii.



*Înlocuiți întotdeauna ambele perii de cărbune.*

## **4. ÎNTREȚINERE**



*Deconectați întotdeauna mașina de la sursa principală de alimentare înainte de a efectua întreținerea.*

Curățați regulat carcasa cu o cârpă moale, de preferat după fiecare utilizare. Curățați fantele de aerisire de praf și murdărie. Îndepărtați murdăria persistentă cu o cârpă moale înmuiată în clăbuci de săpun. Nu folosiți solvenți precum benzină, alcool, amoniac etc. Astfel de substanțe chimice vor deteriora componentele sintetice.

## **MEDIU**



*Aparatele electrice sau electronice deteriorate și/sau defecte trebuie colectate în locurile de reciclare corespunzătoare.*

#### **Numai pentru țările din CE**

Nu aruncați echipamentele acționate electric împreună cu gunoiul menajer. Conform Indicației europene 2012/19/EC pentru echipamentele electrice și electronice uzate și a implementării sale la nivel național, echipamentele acționate electric scoase din uz trebuie colectate separat și evacuate într-o manieră ecologică.

## **GARANȚIE**

Produsele VONROC sunt realizate la cele mai înalte standarde de calitate și sunt garantate în privința materialelor și a manoperei pentru întreaga perioadă de utilizare în garanție, începând cu data achiziției. În cazul în care produsul prezintă defecțiuni în perioada de garanție din cauza materialului defect și/sau a manoperei, contactați direct VONROC.

Următoarele circumstanțe sunt excluse de la această garanție:

- Reparațiile sau modificările care realizate sau care s-au încercat a fi efectuate de centre de service neautorizate;
- Uzura în condiții normale de utilizare;
- Unealta care a fost abuzată, utilizată într-un mod neglijent sau întreținută în mod inadecvat;
- Folosirea unor piese de schimb neoriginale.

Aceasta acoperă garanția companiei, explicită sau implicită. Nu există alte garanții explicite sau implicite care să se extindă dincolo de cele indicate aici, incluzând garanțiile, vandabilitatea sau adecvarea pentru un anumit scop. În nicio situație, VONROC nu este responsabil pentru daunele incidentale sau consecvențiale. Reparațiile efectuate de reprezentant trebuie să fie limitate la reparațiile sau la înlocuirea unităților sau a pieselor neconforme.

**Produsul și manualul de utilizare pot suferi modificări. Specificațiile se pot modifica fără notificare prealabilă.**



## 1. INSTRUÇÕES DE SEGURANÇA

Leia os avisos de segurança fornecidos, os avisos de segurança adicionais e as instruções. O não cumprimento dos avisos de segurança e das instruções pode resultar em choque eléctrico, incêndio e/ou ferimentos graves. Guarde os avisos de segurança e as instruções para referência futura.

Os seguintes símbolos são utilizados no manual do utilizador ou no produto:



Leia o manual do utilizador.



Indica o risco de ferimentos, morte ou danos na ferramenta se as instruções indicadas neste manual não forem seguidas.



Risco de choque eléctrico.



Retire de imediato a ficha da tomada de corrente se o cabo de corrente sofrer danos e durante a limpeza e manutenção.



Apenas para utilização no interior.



Máquina de classe II - Isolamento duplo - Não é necessário uma ficha com ligação à terra.



Use sempre protecção ocular.



Use protecção auricular.



Use luvas de segurança.



Risco de projecção de objectos.



Mantenha os passantes afastados da área de trabalho.



Não elimine o produto em recipientes não adequados.



O produto está em conformidade com as normas de segurança aplicáveis nas directivas europeias.

### INSTRUÇÕES GERAIS DE SEGURANÇA

**AVISO! Leia todos os avisos de segurança e instruções.** O não cumprimento das instruções pode ocasionar choques eléctricos, fogo e/ou ferimentos graves.

### Conserve todas as instruções.

Em todos os avisos abaixo indicados o termo "Ferramenta Mecânica" refere-se à fonte de alimentação: com cabo ou com bateria.

#### 1) Área de Trabalho

- Mantenha a área de trabalho limpa e iluminada.** Zonas escuras e desordenadas promovem acidentes.
- Não trabalhe com ferramentas mecânicas em atmosferas com características explosivas, tais como as que tenham presença de líquidos inflamáveis, gases ou pó.** As ferramentas mecânicas fazem faíscas que podem inflamar o pó ou os gases.
- Mantenha as crianças e desconhecidos afastados enquanto estiver a trabalhar com a ferramenta mecânica.** Distacções podem ocasionar a perda de controlo.

#### 2) Segurança Eléctrica

- As fichas das ferramentas mecânicas devem coincidir com a tomada. Nunca modifique a ficha de qualquer forma. Não utilize fichas de adaptação com ligação à terra.** Utilize as fichas originais que combinem com as tomadas, reduzirão o risco de choque eléctrico.
- Evite o contacto com superfícies ligadas à terra tais como: radiadores e refrigeradores.** O risco de choque eléctrico aumenta se o seu corpo estiver em contacto com a terra.
- Não exponha as ferramentas mecânicas à chuva ou a ambientes de humidade.** O risco de choque eléctrico aumenta com a entrada de água na ferramenta eléctrica.
- Não danifique o cabo eléctrico. Nunca utilize o cordão para transportar, puxar ou desligar a ferramenta mecânica. Mantenha o cordão afastado do calor, óleo, objectos cortantes ou peças móveis.** O risco de choque eléctrico aumenta com cabos danificados e emaranhados.
- Quando trabalhar com a ferramenta na rua, utilize uma extensão adequada para exterior.** O uso de uma extensão de exterior diminui o risco de choque eléctrico.
- Se não for possível evitar trabalhar com uma ferramenta eléctrica num local húmido, utilize uma fonte de alimentação protegida por um dispositivo de corrente residual (DCR).** A utilização de um DCR reduz o risco de choque eléctrico.

- 3) Segurança de Pessoal**
- a) **Mantenha-se alerta, observe o que está a fazer e utilize sentido comum quando trabalhar com a ferramenta mecânica. Não utilize a ferramenta quando estiver cansado, sobre a acção de medicação, drogas ou álcool.** Um momento de distração poderá originar sérios ferimentos.
  - b) **Use equipamento de protecção pessoal. Use protecção para os olhos.** Utilize sempre equipamento de segurança, tal como: chapéu duro, sapatos antiderrapantes, máscara de pó, protecção para o ruído; diminuirá o risco de acidente.
  - c) **Evite accionamentos acidentais. Coloque o botão sempre na posição de OFF antes de ligar a ficha. Evite iniciar a ferramenta acidentalmente.** O transporte de ferramentas eléctricas com o dedo colocado no interruptor ou a ligação à corrente das ferramentas eléctricas com o interruptor ligado pode dar origem a acidentes.
  - d) **Retire qualquer chave de ajuste antes de ligar a ferramenta.** Deixar uma chave junto a zona de rotação da ferramenta pode causar acidentes.
  - e) **Mantenha-se equilibrado e com os pés bem assentes.** Evitará situações imprevistas.
  - f) **Vista-se convenientemente. Não utilize roupa larga ou jóias. Mantenha o cabelo, roupa e luvas fora do alcance das peças que se movem.** Roupa larga, jóias, e cabelo comprido podem emaranhar se nas peças da ferramenta mecânica.
  - g) **Se existirem dispositivos para a extracção e recolha de pó, assegure-se que estes estão ligados correctamente.** O uso destes dispositivos pode reduzir o perigo relacionados com a poeira.
  - h) **Não permita que a familiaridade obtida através do uso frequente de ferramentas faça com que seja complacente e ignore os princípios de segurança da ferramenta.** Uma acção irreflectida pode causar ferimentos graves numa fracção de segundos.
- 4) Utilização e manutenção da ferramenta mecânica**
- a) **Não force a ferramenta mecânica. Utilize a ferramenta mecânica adequada a cada trabalho.** A escolha da ferramenta correcta produz um trabalho mais perfeito de acordo com a sua utilidade.
  - b) **Não utilize a ferramenta mecânica se o botão não se ligar On e Off.** Deve reparar o botão em caso de avaria pois é muito perigoso.
  - c) **Desligue a ficha da fonte antes de fazer qualquer ajuste, tais como: mudar de acessórios ou guardar a ferramenta.** Estas medidas evitaram a possibilidade de iniciar a ferramenta por acidente.
  - d) **Armazene a ferramenta mecânica sempre desligada, fora do alcance de crianças, e não permita que se aproximem pessoas desconhecidas da sua utilização.** Ferramentas mecânicas são perigosas nas mãos de estranhos.
  - e) **Manutenção da ferramenta mecânica. Verifique se existe: algum desalinhamento ou emperramento das peças moventes, envelhecimento das peças ou qualquer outra situação que possa alterar o funcionamento de máquina. Em caso de deficiências repare a ferramenta antes de a utilizar.** Muitos acidentes são causados por falta de manutenção.
  - f) **Mantenha as zonas de corte afiadas e limpas.** Esta atitude evitará a fricção das ferramentas cortantes.
  - g) **Utilize a ferramenta e os acessórios, etc., de acordo com as instruções dadas. De forma a ter em conta o tipo de ferramenta mecânica, as condições de trabalho e o trabalho desejado.** A utilização da ferramenta mecânica para outros fins os que não aqui indicados, pode induzir em situações de perigo.
  - h) **Mantenha as pegas e as superfícies de fixação secas, limpas e sem óleo e gordura.** As pegas escorregadias e as superfícies de fixação não permitem o manuseamento seguro e o controlo da ferramenta em situações imprevistas.
- 5) Assistência**
- a) **A sua ferramenta eléctrica só deve ser reparada por pessoal qualificado e só devem ser utilizadas peças sobressalentes originais.** Desta forma, é garantida a segurança da ferramenta eléctrica.

## INSTRUÇÕES DE SEGURANÇA PARA SERRAS DE CORTAR - INSTRUÇÕES DE CORTE

1. Só deve utilizar o bordo cortante (nunca a parte lateral) do disco para efetuar o corte. Evite colocar pressão lateral no disco e, em especial, evite encravá-la.
2. Mantenha as mãos e o corpo afastados do disco. Quando efetuar cortes com a máquina, não use roupa larga que possa ficar presa.

3. Trate a serra do disco de corte com cuidado, nunca a deixe cair, armazene-a sempre num local seguro e seco.  
Evite temperaturas excessivas e humidade.
4. Certifique-se de que todas as flanges do disco e outras peças instaladas estão em boas condições e montadas de acordo com as instruções. As peças danificadas ou em falta podem dar origem a danos no disco. Utilize sempre as flanges fornecidas com a máquina.
5. Nunca trabalhe com discos danificados, porque podem ser perigosos. Quando substituir o disco, desligue primeiro a máquina. Rode o disco à mão e inspecione-o em termos de irregularidade, torções ou cortes. Se encontrar algum destes problemas, retire o disco e substitua-o por um novo. Além disso substitua o disco se cair ao chão. Pode ter sofrido um impacto, mesmo que não haja algum dano visível.
6. Antes de iniciar o corte, faça um teste, ou seja, recue, ligue o motor e verifique se o motor está a funcionar corretamente.  
Depois de substituir o disco, deixe a serra ligada durante três minutos. Em seguida, antes de efetuar qualquer tarefa de rotina, deixe-a a funcionar durante um minuto.
7. Quando a máquina estiver em funcionamento, nunca retire ou fixe uma peça de trabalho.  
Aguarde sempre até o disco parar de girar por completo antes de remover qualquer peça ou alterar as definições.
8. Antes de instalar o disco, inspecione sempre se o disco com tratamento de resina e borracha apresenta cortes.
9. Verifique sempre a velocidade máxima de funcionamento da serra de corte do disco de acordo com a velocidade máxima permitida do motor. Nunca exceda a velocidade máxima de funcionamento permitida, indicada no disco.
10. Nunca monte um disco na máquina aplicando força, ou para alterar o tamanho dos eixos.  
Nunca use discos que não encaixem. Utilize apenas discos que encaixem na máquina.
11. Não fixe lâminas de serra na máquina, porque não foi concebida para cortar madeira.
12. Só deve iniciar o corte depois do motor atingir a velocidade máxima.
13. Se, durante o funcionamento da máquina, o disco deixar de rodar ou o motor parecer estar sobrecarregado, desligue a máquina de imediato.
14. Mantenha os objetos frágeis ou facilmente in-

flamáveis afastados da máquina. O operador da máquina deve evitar que as mãos, rosto ou pés entrem em contacto com as faíscas causadas durante o corte.

15. Posicione a máquina com firmeza sobre uma superfície plana e lisa.
16. Só deve utilizar a máquina de acordo com a tensão indicada na placa sinalética.
17. Nunca toque numa peça serrada, deixe-a sempre arrefecer sempre primeiro.
18. Não corta peças que excedam o tamanho permitido.
19. Durante o corte, nunca se posicione na direção de corte. Permaneça apenas num dos dois lados.
20. Deixe sempre os dispositivos de segurança instalados.
21. Certifique-se sempre de que corta de maneira lenta e com cuidado. Evite aplicar o disco na peça de maneira irregular.
22. Nunca empurre a peça na direção do disco enquanto a segura com as mãos. Utilize sempre o grampo para fixar a peça.
23. Mantenha as mãos afastadas do disco de corte.  
Nunca corte peças se for necessário colocar o apoio manual a uma distância inferior a 15 cm do disco rotativo.
24. Verifique se a peça está bem apoiada.
25. Nunca utilize fluidos de corte. Estes fluidos podem inflamar-se ou causar choque elétrico.
26. Não corte materiais de ferro fundido.
27. Não corte plástico, madeira ou materiais sintéticos.
28. Não corte magnésio.

#### Segurança eléctrica



*Verifique sempre se a tensão da fonte de alimentação corresponde à tensão na placa sinalética.*

- Não utilize a máquina se o cabo de alimentação ou a ficha estiver danificada.
- Utilize apenas extensões que sejam adequadas para a potência nominal da máquina com uma espessura mínima de 1,5 mm<sup>2</sup>. Se utilizar um enrolador de extensão, desenrole sempre o cabo por completo.

## 2. INFORMAÇÕES SOBRE A MÁQUINA

### Utilização pretendida

A serra de cortar foi concebida para cortar materiais de aço com vários formatos.

### ESPECIFICAÇÕES TÉCNICAS

Modelo n.º	CS505AC
Tensão do sector	220V-240V~
Frequência de rede	50/60Hz
Alimentação	2.300 W
Velocidade nominal	4300/min
Potenção de serra	Ø 355mm x Ø 25.4mm
Pressão acústica $L_{PA}$	92 dB(A) K=3
Potência acústica $L_{WA}$	105 dB(A) K=3
Vibração $a_{h,AG}$	2.90+1.5 m/s <sup>2</sup>
Peso	15.8kg
Capacidade máxima de corte a 90°	
- Retangular	115mm x 125mm
- Forma em L	135mm x 135mm
- Circular de	Ø 125mm
Capacidade máxima de corte a 45°	
- Retangular	110mm x 102mm
- Forma em L	110mm x 110mm
- Circular de	Ø 110mm

### Nível de vibração

O nível de emissão de vibrações indicado neste manual de instruções foi medido em conformidade com um teste padrão especificado pela norma EN 62841; pode ser utilizado para comparar ferramentas e como avaliação preliminar da exposição a vibrações quando utilizar a ferramenta nas aplicações referidas.

- a utilização da ferramenta para aplicações diferentes, ou com acessórios diferentes ou com uma manutenção deficiente, pode aumentar consideravelmente o nível de exposição.
- o número de vezes que a ferramenta é desligada ou está ligada, mas não está a ser utilizada, pode reduzir significativamente o nível de exposição.

Proteja-se dos efeitos da vibração, através de uma manutenção da ferramenta e dos respectivos acessórios, mantendo as mãos quentes e organizando os seus padrões de trabalho.

## DESCRIÇÃO

Os números indicados no texto dizem respeito aos diagramas nas páginas 2-5.

1. Proteção de segurança superior
2. Proteção de segurança amovível
3. Disco de corte
4. Defletor de faíscas
5. Grampo da peça de trabalho
6. Punho da pega
- 7a. Interruptor para ligar/desligar
- 7b. Botão de desbloqueio
8. Tampa da escova de carbono
9. Botão de bloqueio do veio
- 10A. Parafuso do batente de profundidade
- 10B. Porca do batente de profundidade
11. Pino de bloqueio de transporte
12. Grampo traseiro da peça de trabalho
13. Grampo dianteiro da peça de trabalho
14. Alavanca do batente
15. Veio da peça de trabalho
16. Chave de substituição do disco
17. Veio da máquina
18. Anilha interior grande
19. Anilha exterior grande
20. Anilha pequena
21. Parafuso do disco

## 3. FUNCIONAMENTO



*Antes de substituir as lâminas ou regular a máquina, retire primeiro a ficha de alimentação da tomada de parede.*

### Retirar o bloqueio para o transporte (Fig. B)

A máquina tem um pino de segurança de transporte (11) que mantém a respetiva posição baixa e facilita o transporte do dispositivo e o armazenamento. O botão de bloqueio impede o movimento ascendente/descendente da serra. Além disso, deve ser desativado antes de utilizar a serra.

- Retire o bloqueio de transporte empurrando a máquina ligeiramente para baixo. Enquanto empurra para baixo, o pino de segurança de transporte (11) pode ser puxado para fora com a outra mão.
- Depois do pino (11) ter sido retirado, é possível deslocar a máquina para cima e para baixo.

**Ativar o bloqueio de transporte (Fig. B)**

- Empurre a máquina para a posição mais baixa possível.
- Em seguida, empurre o pino de segurança de transporte (11) até encaixar no respetivo local.

**Adicionar/retirar um disco de corte (Fig. A, B, C)**

Retire sempre a ficha de alimentação antes de substituir os discos.



Quando substituir os discos, verifique sempre as instruções de segurança relacionadas.

**Retirar um disco de corte**

- Retire a chave de disco (16) da base da máquina.
- Retirar o disco é mais fácil se a proteção de segurança amovível (2) for movida para cima.
- Prima o botão de fixação do veio (9) para bloquear o movimento do veio da máquina.
- Mantenha premido o botão de fixação do veio (9). Coloque a chave (16) no parafuso do disco e rode-a ligeiramente até o botão (9) ser empurrado ao máximo e a rotação do veio ser bloqueada.
- Retire o parafuso (21), a anilha pequena (20), a anilha exterior grande (19).
- Em seguida, retire o disco de corte (3).

**Montar um disco de corte**

- Se ainda não o tiver feito, retire o parafuso (21) rodando-o para a esquerda e depois retire a anilha pequena (20) e a anilha exterior grande (19).
- Insira o disco de corte (3) no veio da máquina.
- Adicione primeiro a anilha exterior grande (19), depois a anilha pequena (20) e depois o parafuso de fixação (21) de acordo com a Fig. C e aperte-o à mão até o veio começar a rodar.
- Prima o botão de fixação do veio (9) para bloquear o movimento do veio da máquina.
- Mantenha premido o botão de fixação do veio (9). Insira a chave (16) no parafuso do disco e depois rode-o ligeiramente para a direita.
- Quando a fixação do veio impede a rotação, aperte o parafuso do disco com a chave (16).
- Afrouxe o botão de fixação do veio e certifique-se de que o botão de fixação do veio já não está a bloquear o veio.

**Em seguida, verifique se a roda está montada corretamente:**

- Rode o disco (3) à mão algumas vezes para verificar se a rodar livremente e se está bem alinhado.

- Ligue a máquina e deixe-a a funcionar durante pelo menos 3 minutos.

**Ligar/desligar a máquina (Fig. B)**

- Para ligar a máquina, mantenha o botão de desbloqueio (7b) premido e, em seguida, prima o botão para ligar/desligar (7a).
- Para parar a máquina, liberte o interruptor para ligar/desligar (7a).

**O grampo da peça de trabalho (5) (Fig. A, B, D)**

- Coloque o material da peça de trabalho entre o grampo dianteiro (13) e o grampo traseiro (12).
- Levante o batente (14), como indicado na Fig. D. e rode a pega em forma de parafuso (15) para a frente até o grampo dianteiro (13) tocar na peça de trabalho.
- Em seguida, mova o batente (14) para baixo (para fixar o veio) e ficar a peça com firmeza rodando a pega em forma de parafuso (15).

**Cortar em ângulo (Fig. E)**

A máquina permite fazer cortes em ângulos de 0° a 45° ajustando o grampo traseiro (12).

- Afrouxe os 2 parafusos de cabeça sextavada M10 (22 e 23) que fixam o grampo traseiro (12) até o torno se conseguir mover.
- Em seguida, regule o grampo traseiro (12) para o ângulo correto e aperte ambos os parafusos (22 e 23) novamente.

**Mover o torno traseiro (para cortar peças maiores) (Fig. F)**

O torno tem capacidade para uma peça com um tamanho máximo de 160 mm fornecida de fábrica. O torno pode ser ajustado na parte de trás para permitir uma peça de 195 mm, como indicado na imagem à direita (Fig. F).

- Afrouxe os 2 parafusos hexagonais M10 (22 e 23) no grampo traseiro (12) por completo.
- Mova o grampo (12) para trás e aperte os parafusos (22 e 23) nos orifícios de ligação traseira novamente.

**Ajustar o batente de profundidade (Fig. B)**

A máquina está equipada com um parafuso do batente de profundidade. Este parafuso permite ajustar a profundidade máxima de corte.

- Se for necessário ajustar a profundidade máxima de corte, afrouxe a porca inferior (10B) e depois ajuste a regulação de profundidade rodando o parafuso superior (10A) para as posições pretendidas.
- Em seguida, fixe a porca inferior (10B) novamente.

### Procedimento de corte

Para cortar o material efetue sempre o seguinte procedimento:

- Verifique se a peça está fixada e bem suportada antes de ligar a máquina.
- Ligue a máquina na posição superior, deixe-a a funcionar durante alguns instantes até atingir a velocidade máxima.
- Verifique se a lâmina está a rodar livremente e sem vibração.
- Mova a máquina com cuidado para baixo até tocar no material.
- Continue a empurrar a pega ligeiramente, verifique se a velocidade da lâmina não diminui.
- Liberte o interruptor para ligar/desligar após o corte e desloque a máquina para cima com cuidado.
- Só deve remover a peça quando o disco de corte parar por completo.



*Não aplique força excessiva na pega durante o corte. Se o fizer a lâmina e a máquina ficam desgastadas mais depressa. Além disso, o corte não é mais rápido.*

### Inspeccionar e substituir as escovas de carbono

O motor tem 2 escovas de carbono que se desgastam durante a utilização. É importante verificar o estado das escovas de carbono. Se estiverem gastas, o desempenho pode ser afetado e podem ocorrer danos no motor.

#### Retirar as escovas de carbono (Fig. B)

- Verifique se a ficha de alimentação foi retirada da tomada de parede.
- Retire a tampa da escova de carvão (8).
- Puxe ligeiramente a mola para retirar as escovas de carbono.
- Verifique se as escovas apresentam sinais de desgaste. Se a escova de carbono tiver menos de 6 mm, isso significa que está gasta e tem de ser substituída de imediato.
- Repita o procedimento no outro lado.

#### Inserir as escovas de carbono novamente (Fig. B)

- Verifique se a ficha de alimentação foi retirada da tomada de parede.
- Insira as escovas de carbono e empurre a mola de novo para o mesmo local.
- Coloque a tampa da escova de carbono (8) mantendo a mola premida e depois rode a tampa para a direita.
- Depois de colocar de novo ambas as escovas de carbono, verifique se a máquina está a funcionar corretamente sem faíscas.



*Substitua sempre as duas escovas de carbono.*

## 4. MANUTENÇÃO



*Certifique-se sempre de que a máquina não está ligada à rede eléctrica quando efectuar tarefas de manutenção no mecanismo.*

Limpe a carcaça da máquina com regularidade com um pano macio, de preferência após cada utilização. Certifique-se de que as aberturas de ventilação não têm pó ou sujidade. Retire a sujidade muito persistente com um pano macio humedecido com água de sabão. Não utilize solventes, como gasolina, álcool, amoníaco, etc. Este tipo de produtos químicos danificam os componentes sintéticos.

## AMBIENTE



*Os equipamentos eléctricos ou electrónicos defeituosos e/ou eliminados devem ser recolhidos em locais de reciclagem adequados.*

### Apenas para os países da CE

Não elimine as ferramentas eléctricas em conjunto com os resíduos domésticos. De acordo com a directiva europeia 2012/19/UE sobre resíduos de equipamentos eléctricos e electrónicos e a respectiva implementação na legislação nacional, as ferramentas eléctricas que já não sejam utilizadas devem ser recolhidas em separado e eliminadas de maneira ecológica.

## GARANTIA

Os produtos da VONROC são desenvolvidos de acordo com os padrões de qualidade mais elevados e não apresentam quaisquer defeitos em termos de materiais e mão-de-obra em relação ao período estipulado por lei, cujo início é a partir da data de compra original. Se o produto apresentar qualquer falha durante este período devido a qualquer defeito de material e/ou de mão-de-obra, contacte a VONROC directamente.

As seguintes circunstâncias estão excluídas desta garantia:

- Se forem efectuadas ou tentadas quaisquer reparações e/ou alterações na máquina por centros de assistência não autorizados;
- Desgaste normal;
- Se a ferramenta foi utilizada de maneira abusiva, indevida ou a manutenção for efectuada de maneira incorrecta;
- Se forem utilizadas peças sobresselentes não originais.

Isto constitui a única garantia feita pela empresa, de maneira expressa ou implícita. Não existem quaisquer outras garantias expressas ou implícitas que se prolonguem, incluindo as garantias implícitas de comercialização e adequação para fins específicos. A VONROC não será, em nenhuma circunstância, responsável por danos incidentais ou indirectos. Os fornecedores devem estar limitados a reparar ou substituir as unidades ou peças que não estejam em conformidade.

**O equipamento e o manual do utilizador estão sujeitos a alterações sem aviso prévio. As especificações podem ser alteradas sem aviso prévio.**

## 1. BIZTONSÁGI UTASÍTÁSOK

Olvassa el az összes mellékelt biztonsági figyelmeztetést. A figyelmeztetések és utasítások be nem tartása áramütéshez, tűz keletkezéséhez vagy akár súlyos személyi sérüléshez vezethet. Őrizz meg a biztonsági figyelmeztetéseket és utasításokat későbbre is.

A használati útmutatóban és a terméken a következő jelölésekkel találkozhat:



*Olvassa el a használati útmutatót.*



*Jelzi a személyi sérülések, az életveszély vagy a szerszám károsodásának veszélyét.*



*Áramütés veszélye.*



*Azonnal távolítsa el a csatlakozót az aljzattól ha a kábel vagy a csatlakozó sérült.*



*Csak beltéri használatra javasolt.*



*II. osztályú gép - Dupla szigetelés - Nincs szükség földelt csatlakozódugóra.*



*Használjon védőszemüveget.*



*Használjon fülvédőt.*



*Használjon védőkesztyűt.*



*Repülő részecskék veszélye! Tartsa személyektől távol a munkafelületet.*



*A terméket hulladékként ne tegye arra nem alkalmas konténerbe.*



*A termék megfelel az európai irányelvek rá vonatkozó biztonsági követelményeinek.*

### ÁLTALÁNOS BIZTONSÁGI SZABÁLYOK



**FIGYELMEZTETÉS! Olvassa el az összes biztonsági figyelmeztetést és utasítást.**  
*Az alábbi utasítások be nem tartása áramütéshez, tűzhez és /vagy súlyos sérülésekhez vezethet.*

### Tartsa meg az utasításokat!

Az alábbi figyelmeztetésekben szereplő “szerszám-gép” elnevezés minden, az Ön által hálózatról működtetett (vezetékes) vagy akkumulátoros (vezeték nélküli) szerszámgépre vonatkozik.

#### 1) Munkaterület

- a) **A munkaterület legyen tiszta és jól megvilágított.** A zsúfolt és sötét helyek növelik a balesetek kockázatát.
- b) **Ne működtessen szerszámgépet robbanásveszélyes környezetben, azaz gyúlékony folyadékok, gázok vagy por közelében.** A szerszámgépek működése során szikrák keletkeznek, ami meggyújthatja a gőzöket vagy port.
- c) **A szerszámgép működtetése során tartsa távol a gyermekeket és más személyeket.** Figyelmének megosztása balesethez vezethet.

#### 2) Elektromos biztonság

- a) **A szerszámgéphez megfelelő csatlakozóaljzatot kell használni. Soha ne módosítsa a hálózati csatlakozót semmilyen módon. Ne használjon csatlakozó-adaptert a földelt szerszámgépekkel.** A módosítatlan csatlakozók és megfelelő csatlakozóaljzatok csökkentik az áramütés kockázatát.
- b) **Kerülje teste érintkezését földelt tárgyakkal, például csövekkel, radiátorokkal, tűzhelyekkel és hűtőszekrényekkel.** Az áramütés kockázata nagyobb, ha teste földelve van, vagy földelt tárggyal érintkezik.
- c) **Ne tegye ki a szerszámgépeket esőnek vagy nedves környezetnek.** A szerszámgépbe kerülő víz növeli az áramütés kockázatát.
- d) **Ne terhelje a vezetéket. Soha ne használja a vezetéket a szerszámgép hordozására, húzására, vagy a csatlakozó kihúzására az aljzataból. Óvja a vezetéket a hőtől, olajtól, éles szélektől és mozgó alkatrészekről.** A sérült vagy összegubancolódott vezetékek növelik az áramütés kockázatát.
- e) **Ha a szabadban használja a szerszámgépet, használjon kültéri használatnak megfelelő hosszabbítót.** A kültéri használatnak megfelelő hosszabbító használata csökkenti az áramütés kockázatát.
- f) **Ha az elektromos szerszámot mindenképp nedves/párás környezetben kell használni, mert ezt nem lehet megelőzni, akkor használjon FI relét.** Az FI relé használata csökkenti az elektromos áramütés kockázatát.

#### 3) Személyi biztonság

- a) **Legyen figyelmes, ügyeljen a munkára és használja józan esmét a szerszámgép működtetése során. Ne használja a szerszámgépet, ha fáradt vagy drogok, alkohol illetve gyógyszerek hatása alatt van.** Egy pillanatnyi figyelmetlenség a szerszámgép használata során súlyos sérüléseket okozhat.
  - b) **Viseljen személyes védőfelszerelést. Mindig viseljen szemvédőt.** A feltételeknek megfelelő védőfelszerelés, pl. pormaszok, csúszásgátló biztonsági cipő, sisak, vagy hallásvédő használata csökkenti a személyi sérülések kockázatát.
  - c) **Előzze meg az akaratlan, véletlen elindítást! a csatlakoztatás előtt ellenőrizze, hogy a kapcsoló “ki” állásban legyen.** Ha az ujját a szállított elektromos szerszám kapcsolóján tartja, ill. ha a szállított elektromos szerszám kapcsolója bekapcsolt állapotban van, akkor azzal könnyen balesetet okozhat.
  - d) **Távolítson el minden beállító kulcsot és csavar-kulcsot a szerszámgép bekapcsolása előtt.** A szerszámgép forgó alkatrészeiben maradt kulcs vagy csavarkulcs személyi sérülést okozhat.
  - e) **Ne nyújtózkodjon. Mindig őrizze meg szilárd pozícióját és egyensúlyát.** Ez váratlan helyzetekben is megkönnyíti a szerszámgép irányítását.
  - f) **Öltözzön megfelelően. Ne viseljen laza ruhát vagy ékszereket.** Tartsa haját, kesztyűjét és ruházatát távol a mozgó alkatrészekről. A laza ruházat, haj, vagy ékszerek beakadhatnak a mozgó részek közé.
  - g) **Ha a készülék rendelkezik csatlakozással porszívó és -gyűjtő eszközök csatlakoztatásához, ügyeljen ezek megfelelő csatlakoztatására és használatára.** E készülékek használata csökkenti a por okozta kockázatokat.
  - h) **Ne engedje, hogy a szerszámok gyakori használata során szerzett tapasztalatai túlzott biztonságérzetet keltsenek Önben, és amiatt elhanyagolja a biztonsági alapelveket.** Gondatlan cselekvés már a másodperc töredéke alatt is súlyos sérülést okozhat.
- #### 4) A szerszámgép használata és karbantartása
- a) **Ne erőltesse a szerszámgépet. Használjon az alkalmazásnak megfelelő szerszámgépet.** A megfelelő szerszámgép biztonságosabban és jobban működik, ha a rendeltetésének megfelelő sebességen használja.



- b) **Ne használja a szerszámgépet, ha a kapcsolója nem működik.** Ha a szerszámgép nem vezérelhető a kapcsolóval, veszélyes, és meg kell javítani.
- c) **Mindig húzza ki a csatlakozót a csatlakozóaljzatból beállítások, tartozékcsere vagy a szerszámgép tárolása előtt.** Ez a megelőző biztonsági intézkedés megelőzi a készülék véletlen bekapcsolását.
- d) **Tartsa a szerszámgépet gyermekektől elzárva és ne engedje, hogy a szerszámgép kezelésében járatlan, vagy az ezeket az utasításokat nem ismerő személyek működtessék a szerszámgépet.** A gyakorlatlan felhasználó kezében a szerszámgépek veszélyesek.
- e) **Tartsa karban a szerszámgépeket. Ellenőrizze, nem mozdultak-e el, vagy nem akadnak-e a mozgó alkatrészek, nincsenek-e törött alkatrészek, vagy más, a gép működését befolyásoló tényezők. Javítsa meg a szerszámgépet, ha az károsodott, mielőtt újra használná.** Számos balesetet a rosszul karbantartott szerszámgépek okoznak.
- f) **Tartsa tisztán és élesen a vágóeszközöket.** A megfelelően karbantartott, éles vágóeszközök kisebb eséllyel akadnak meg, és könnyebben irányíthatók.
- g) **Használja a szerszámgépet, tartozékokat, szerszámfejeket, stb., ezen utasításoknak megfelelően és az adott szerszámgép típusának megfelelően, figyelembe véve a munkakörülményeket és az elvégzendő munkát.** A szerszámgépek rendeltetésüktől eltérő használata kockázatos helyzetekhez vezethet.
- h) **Tartsa a fogantyúkat és egyéb markolási felületeket szárazon, tisztán, olajtól és zsírtól mentesen.** Váratlan helyzetekben a csúszós fogantyúk és egyéb markolási felületek akadályozzák a szerszám biztonságos kezelését és irányítását.
- 5) Szerviz**
- a) **Elektromos szerszámát kizárólag szakemberrel javítsa, a javításhoz csak identikus cserealkatrészeket használjanak.** Az elektromos szerszám biztonságát csak így garantálhatja.

## **TOVÁBBI BIZTONSÁGI UTASÍTÁSOK, FÉMVÁGÓ KÖRFŰRÉS HASZNÁLATA ESETÉN**

- Mindig csak a vágó részét használja a korongnak! Ügyeljen arra, hogy a korong oldalára ne helyezzen nyomást illetve ne ragadjon be.
- Tartsa kezeit és testét távol a vágókorongtól. Ne viseljen laza öltözéket, amelybe a korong beleakadhat.
- Ügyeljen a vágókorongra, ne ejtse el, mindig száraz, biztonságos helyen tárolja. Óvja a túlzott hőtől és nedvességtől.
- Győződjön meg arról, hogy a korong és alátétek jó állapotban vannak. Sérült vagy hiányzó alkatrészek károsíthatják a korongot. Mindig használjon alátétet a vágókorong felszerelésekor.
- Soha ne dolgozzon sérült koronggal, mert ez veszélyes lehet. Korong cserélésekor, csatlakoztassa ki a gépet. Forgassa meg kézzel a korongot, figyelve elhajlásra, repedésre, sérült vágófelületre. Ha bármelyiket észleli, azonnal cserélje ki a korongot egy újra. Ha a korong a földre esett, cserélje ki. Szemmel nem látható sérülések léphetnek fel, amelyek veszélyeztetik önt és egészségét.
- Mielőtt vágni kezdene, tesztelje a gépet: indítsa el, lépjen hátra és vizsgálja meg ha a korong egyenletesen forog. Miután vágókorongot cserél, indítsa el a gépet, hagyja működni 3 percig, majd egy percig mielőtt elkezdené a vágást.
- Amikor a gép működik, ne próbálja eltávolítani vagy rögzíteni a megmunkálni kívánt darabot. Várja meg míg a gép megáll és a korong már nem forog mielőtt eltávolítaná a megmunkált darabot.
- Mielőtt felszerelné a vágókorongot, alaposan vizsgálja meg ennek felületét, repedéseket, töréseket keresve.
- Mindig ellenőrizze a korongon feltüntetett max fordulatszámot és hasonlítsa össze a gép max fordulatával. Soha ne haladja meg a korongon feltüntetett működési fordulatszámot.
- Ne próbáljon a gépre nem illő korongot szerelni, vagy ráerőltetni korongot a gép tengelyére. Csak a megadott koronggal használja a gépet.
- Ne próbáljon meg fűrészlapot szerelni a gépre, mert nem ezt a célt szolgálja.
- Ne kezdjen el vágni míg a motor el nem érte a működési sebességet.
- Ha működés közben a korong nem forogna, vagy a gép hangja erőltetett, azonnal csatlakoztassa ki a gépet.
- Tartsa távol a gépet gyúlékony vagy törékeny dolgoktól. Ügyeljen, hogy a vágás során keletkezett szikra ne pattanjon kezére, szemére, arcára, testére.
- Helyezze a gépet szorosan egy egyenes felületre.
- A gépet csak az ezen feltüntetett feszültségen használja.

17. Ne fogja meg a levágott darabot, várja meg míg ez kihűl.
18. Ne próbáljon a megadott méreteken kívül nagyobb darabot vágni.
19. Vágás közben soha ne álljon a szikra irányába. Álljon a gép valamelyik oldalára.
20. Hagyja a biztonsági alkatrészeket a gépen.
21. Mindig lassan és egyenletesen vágjon. Melőzze a remegő mozdulatokat mikor a géppel dolgozik.
22. Ne nyomja a megmunkálni kívánt darabot a korong irányába. Rögzítse ezt a satu segítségével.
23. Tartsa kezeit távol a korongtól. Ne vágjon olyan darabokat, melyek 15 cm-nél közelebb helyeznek a kezét a koronghoz.
24. Győződjön meg arról, hogy a vágni kívánt darab rendszeren rögzítve van.
25. Ne használjon folyadékot a vágáshoz. Könnyen meggyúllhat vagy áramütéshez vezethet.
26. Ne vágjon öntvényt a géppel.
27. Ne vágjon fát, műanyagot vagy szövetet a géppel.
28. Ne vágjon magnéziumot a géppel.

### Elektromos biztonság



*Mindig ellenőrizze, hogy a tápellátás megfelel-e az adattáblán feltüntetett feszültségnek.*

- Ne használja a gépet, ha a hálózati kábel vagy a hálózati csatlakozódugó sérült.
- Csak olyan hosszabbító kábelt használjon, amely megfelel a berendezés névleges teljesítményének és legalább 1,5 mm<sup>2</sup> vastag. Ha tekercset használ a hosszabbító kábelhez, mindig teljesen tekerje le a kábelt.

## 2. A GÉP ADATAI

### Rendeltetészerű használat

A fémvágó körfűrész különböző profilu fémek vágására tervezték.

### MŰSZAKI ADATOK

Modellszám	CS505AC
Feszültség	220V-240V~
Frekvencia	50/60Hz
Teljesítmény	2.300 W
Fordulatszám	4300/min

Vágókorong méretei	Ø 355mm x Ø 25.4mm
L <sub>PA</sub> (hangnyomásszint)	92 dB(A) K=3
L <sub>WA</sub> (hangteljesítményszint)	105 dB(A) K=3
Rezgésszint a <sub>n,AG</sub>	2.90+1.5 m/s <sup>2</sup>
Súly	15.8kg
Max vágási teljesítmény 90° fokban	
- Téglalap alakú profil	115mm x 125mm
- L alakú profil	135mm x 135mm
- Körprofil	Ø 125mm
Max vágási teljesítmény 45° fokban	
- Téglalap alakú profil	110mm x 102mm
- L alakú profil	110mm x 110mm
- Körprofil	Ø 110mm

### Rezgés értékek

A használati útmutatóban megadott rezgés-bocsátási értékek mérése az EN 62841 szabvány szerinti egységesített eljárással történt; az értékek használhatók gépek összehasonlítására és a munkavégzés közbeni rezgés terhelés előzetes megbecslésére az adott alkalmazási területen.

- ha a szerszámot más területen használják vagy más vagy rossz karban tartott tartozékkal, a rezgés terhelés jelentősen megnövekedhet.
- azok az időtartamok, amely alatt a gép üresen jár vagy áll, jelentősen csökkenthetik a tényleges terhelést.

Védje magát a rezgés hatásától, tartsa karban a gépet és a tartozékokat, melegítsen be és szervezze meg okosan a munkáját.

### LEÍRÁS

A szövegben levő számok a 2-5. oldalakon levő ábrákra vonatkoznak.

1. Felső korongvédő
2. Mozgatható korongvédő
3. Vágókorong
4. Szikra védő
5. Satu
6. Markolat
- 7a. Be- és kikapcsoló gomb
- 7b. Blokkoló gomb
8. Szénkefe szervízajtó
9. Tengelyzáró gomb
- 10A. Mélységállító csavar

- 10B. Mélységállító anya
11. Szállításblokkoló
12. Hátsó satu
13. Első satu
14. Menetmegállító kar
15. Menetelt rúd
16. Korongcserélő kulcs
17. Gép főtengelye
18. Nagy belső alátét
19. Nagy külső alátét
20. Kicsi alátét
21. Korongrögztető anya

### 3. HASZNÁLAT



*Mielőtt korongot cserélne vagy beállítaná a gép vágószögét, húzza ki a kábelt az aljzaból.*

#### A szállításblokkoló kioldása (Fig. B)

A gép szállításblokkolóval (11) rendelkezik, amely megkönnyíti a szállítást és raktározást, a gépet összecsuksott pozícióban tartva. Használatbavétel előtt a szállításblokkolót ki kell kapcsolni.

- Nyomja egy kézzel enyhén lefele az összecsuksott gépet. Amíg nyomva tartja, húzza ki másik kezével a szállításblokkolót (11).
- Mihelyt a szállításblokkoló (11) ki van húzva, a gép szabadon fel-le mozoghat.

#### A szállításblokkoló bekapcsolása (Fig. B)

- Nyomja össze a gépet ennek legalsó pozíciójára.
- Nyomja be a szállításblokkolót (11) míg ez helyére csúszik.

#### Vágókorong cseréje (Fig. A, B, C)



*Mindig távolítsa el a kábelt az aljzataból mikor vágókorongot cserél.*



*Mindig ellenőrizze a használati útmutatót a vágókorong cserélésekor Vágókorong eltávolítása.*

#### Vágótárcsa eltávolítása

- Vegye le a korongkulcsot (16) a gép aljzatáról.
- A vágókorongot könnyebb eltávolítani ha a felső korongvédő (2) fel van csukva.
- Nyomja be a tengelyzárat (9) és blokkolja le a gép tengelyét.
- A tengelyzárat nyomva tartva (9) helyezze a korongkulcsot (16) a korongot rögzítő anyára és forgassa el míg a tengelyzár (9) bekattan a

helyére, leblokkolva a tengelyt.

- Távolítsa el a csavart (21), kicsi alátétet (20), nagy külső alátétet (19).
- Távolítsa el a vágókorongot (3).

#### Vágókorong felszerelése

- Ha ez nem történt volna már meg, távolítsa el a csavart (21) az óramutató járásával ellentétesen elforgatva, majd a kicsi alátétet (20) és nagy külső alátétet (19).
- Helyezze a vágókorongot (3) a gép tengelyére.
- Először a nagy külső alátétet (19), majd a kicsi alátétet (20) és a csavart (21) helyezze fel, a C. ábrával megegyező módon és szorítsa meg míg a tengely elfordul.
- Nyomja be a tengelyzárat (9) azért hogy rögzítse a tengelyt egy fix pozícióban.
- A tengelyzárat (9) nyomva tartva helyezze a korongkulcsot (16) a csavarra (21) és szorítsa meg óramutató járásával megegyező irányba.
- Ellenőrizze ha a szorítás után a vágókorong szorosan elhelyezkedett és a tengelyzár szabad forgást engedélyez a gép tengelyének.

#### Vizsgálja meg ha a vágókorong jól fel van téve:

- Kézzel forgassa meg a korongot (3) megvizsgálva azt ha egyenletesen forog és nem kotyog a tengelyen.
- Indítsa el a gépet és hagyja működni 3 percen keresztül.

#### A gép be- és kikapcsolása (B ábra)

- A gép beindításához nyomja és tartsa lenyomva a reteszgombot (7b), majd nyomja le a főkapcsolót (7a).
- A gép kikapcsolásához engedje fel a főkapcsolót (7a).

#### A satu (5) (Fig. A, B, D)

- Helyezze a vágni kívánt darabot az első (13) és hátsó (12) satu közé.
- Amint a D. ábra mutatja, emelje fel a kart (14) és forgassa el a menetelt rudat (15) míg az első satu (13) a megmunkálni kívánt darabhoz ér.
- Eressze le a kart (14) és szorítsa be a megmunkálni kívánt darabot a menetelt rúd (15) segítségével, míg ez szorosan áll.

#### Szögben vágás (Fig. E)

A gép 0° és 45° közötti vágást tesz lehetővé a hátsó satu beállításával.

- Lazítsa meg a 2 M10-es csavart (22 & 23) amely a hátsó satut (12) tartja, míg ez szabadon mozog.
- Állítsa be a satut (12) a vágni kívánt szögbe és szorítsa meg a csavarokat (22 & 23) újra.

#### A hátsó satu állítása (nagyobb elemek megmunkálására) (Fig. F)

A gyári beállítás szerint a satu maximálisan egy 160 mm szélességű elemet képes rögzíteni. A gép talapzatán levő lyukak segítségével, ezt a szélességet meg lehet növeni 195 mm-re (fig. F).

- Csavarja ki teljesen a hátsó satu (12) 2 M10- es csavarját (22 & 23).
- Tolja hátra a satut (12) és rögzítse a csavarok (22 & 23) segítségével a hátsó lyukakba.

#### Vágás mélységének beállítása (Fig. B)

A gépe egy mélységállító csavarral rendelkezik, amely segítségével állítható a gép vágási mélysége.

- Ha a vágás mélységét szeretné állítani, lazítsa ki az anyát (10B), majd állítsa be a kívánt mélységet a csavar (10A) be- vagy kicsavarásával.
- A rögzítéshez, szorítsa meg az anyát (10B) újra.

#### Vágási procedúra

Ha vágni szeretne, olvassa el a következő eljárást:

- Győződjön meg arról, hogy a vágni kívánt elem szorosan rögzítve van a gép satujába.
- Indítsa el a gépet és hagyja járni, míg eléri működési sebességét.
- Győződjön meg arról, hogy a korong egyenletesen jár, rezgés nélkül.
- Enyhén nyomja le a gépet míg ez eléri a satuba fogott elemet.
- Kis erővel nyomja lefele a gépet, ügyeljen arra, hogy a korong sebessége ne csökkenjen.
- Engedje el a be-és kikapcsoló gombot és emelje fel lassan a gépet.
- Csak akkor távolítsa el az elemet a satuból, mikor a korong forgása megállt.



*Ne ereszkedjen rá a gép markolatára miközben vág, mert az a korong és gép hamarabbi kopásához vezethet illetve a vágás teljesítménye is csökken.*

#### Szénkefék megvizsgálása és cseréje

A gép 2 szénkefével rendelkezik, amelyek használat során elkopnak. Fontos, hogy vizsgáljuk meg a szénkeféket, mert a kopott szénkefe a teljesítmény

csökkenéséhez és a gép meghibásodásához vezet.

#### Szénkefék eltávolítása (Fig. B)

- Győződjön meg arról, hogy a gép nincs áram alatt.
- Távolítsa el a szénkefe szervizajtóját (8).
- Távolítsa el a szénkeféket, a rugók enyhe meghúzásával.
- Vizsgálja meg a szénkefét: ha kevesebb mint 6 mm magas, a szénkeféket azonnal ki kell cserélni.
- Ismétlje meg a folyamatot a gép másik oldalán is.

#### Szénkefék beszerelése (Fig. B)

- Győződjön meg arról, hogy a gép nincs áram alatt.
- Helyezze be a szénkeféket és nyomja vissza a rugót a helyére.
- Helyezze fel a szénkefe szervizajtót (8) mialatt a szénkefe rugóját nyomva tartja és forgassa el óramutató járásával megegyező irányba.
- Miután mindkét szénkefét beszerelte, indítsa el és vizsgálja meg ha a gép szikrák nélkül működik.



*Mindig párban cserélje a szénkeféket!*

## 4. KARBANTARTÁS



*Ha bármilyen karbantartást szeretne végezni a gépen, előtte minden esetben győződjön meg arról, hogy a gép nincs csatlakoztatva az elektromos hálózathoz.*

A gép burkolatát rendszeresen, lehetőleg minden használat után törölje át puha ronggyal. Ügyeljen arra, hogy a szellőzőnyílások portól és piszoktól mentesek. Makacs szennyeződésekhez használjon szappanos vízzel átítatott ruhát. Oldószert, benzint, alkoholt, ammóniát stb. ne használjon. Ezek a vegyszerek kárt tesznek a szintetikus részekben.

## KÖRNYEZET



*A hibás vagy már feleslegessé vált elektromos, elektronikus készülékeket az ezzel foglalkozó hulladékgyűjtő helyeken kell leadni.*

#### Csak EU országokban

Elektromos szerszámokat ne dobjon a háztartási hulladékba. Az elektromos és elektronikai hulladékokra vonatkozó, 2012/19/EK európai irányelv és

annak a nemzeti törvénykezésbe történő átültetése értelmében az elhasználdott elektromos készülékeket külön kell gyűjteni és környezetbarát módon kell ártalmatlanítani.

## GARANCIA

A VONROC termékei a legmagasabb minőségi normák szerint készülnek, és az eredeti vásárlás napjától számított, törvényileg előírt időtartamig garantáljuk, hogy anyag- és gyártási hibáktól mentesen fognak működni. Ha a terméken ezen időszak alatt bármilyen hiba jelentkezik anyag- és/vagy gyártási hiba miatt, kérjük, forduljon közvetlenül a VONROC-hoz.

A garancia nem érvényes a következő körülmények egyikére sem:

- Nem hivatalos szervizközpontok javítást vagy módosítást végeztek (vagy megkíséreltek javítást vagy módosítást végezni) a gépen.
- Normál elhasználódás és kopás.
- A szerszámot erőszakosan vagy nem rendeltetésszerűen használták, vagy a karbantartása nem volt megfelelő.
- Nem eredeti pótalkatrészeket használtak.

A garancia a vállalat által (akár kifejezetten, akár hallgatólagosan) biztosított kizárólagos garancia. Nem biztosítunk más garanciákat (sem kifejezett, sem beleértett garanciákat, ideértve az értékesíthetőségre és az adott célra való alkalmasságra vonatkozó hallgatólagos garanciákat is), amelyek a jelen garancia hatókörén túlmutatnak. A VONROC semmilyen esetben sem felelős semmilyen járólékos vagy következményes kárért. A forgalmazók jogorvoslati teendői az előírásoknak nem megfelelő egységek vagy alkatrészek javítására és cseréjére korlátozódnak.

**A termék és a használati útmutató változtatásának jogát fenntartjuk. A műszaki adatok előzetes bejelentés nélkül változhatnak.**

## 1. BEZPEČNOSTNÍ POKYNY

Přečtěte si příložené bezpečnostní výstrahy, dodatečné bezpečnostní výstrahy a bezpečnostní pokyny. Nebudete-li dodržovat tyto bezpečnostní výstrahy a pokyny, může dojít k úrazu elektrickým proudem, k vzniku požáru nebo k způsobení vážného zranění. Uchovejte tyto bezpečnostní výstrahy a pokyny pro budoucí použití.

V této uživatelské příručce a na tomto výrobku jsou použity následující symboly:



*Přečtěte si návod k použití.*



*Upozorňuje na riziko zranění osob, ztráty života nebo poškození nářadí, nebudou-li dodržovány pokyny uvedené v tomto návodu.*



*Nebezpečí úrazu elektrickým proudem.*



*Ihned odpojte zástrčku napájecího kabelu od síťové zásuvky, dojde-li k jeho poškození nebo provádíte-li čištění a údržbu.*



*Není určeno pro venkovní použití.*



*Stroj třídy II – Dvojitá izolace – Není nutné použití zástrčky s uzemněním.*



*Vždy používejte ochranu zraku.*



*Používejte ochranu sluchu.*



*Používejte ochranné rukavice.*



*Riziko zranění odlétávajícími předměty. Zamezte přístupu nepovolaných osob do pracovního prostoru.*



*Nelikvidujte tento výrobek do nevhodného kontejneru.*



*Tento produkt je vyroben podle platných bezpečnostních norem ve směrnicích EU.*

## VŠEOBECNÉ BEZPEČNOSTÍ PŘEDPISY



### Pozor!

**Přečtěte si všechny bezpečnostní výstrahy, pokyny, ilustrace a technické údaje dodané s tímto elektrickým nářadím. Nebudete-li dodržovat všechny níže uvedené pokyny, může dojít k úrazu elektrickým proudem, k vzniku požáru nebo k způsobení vážného zranění.**

### Tyto pokyny si siuschovejte.

Výraz „nářadí“ v těchto pokynech značí jakékoli elektrické nářadí, ať už je napájené ze sítě (nářadí s přívodní šňůrou) nebo z baterie (nářadí bez přívodní šňůry).

#### 1) Pracovní prostor

- a) **V pracovním prostoru udržujte pořádek a zajistěte si v něm dobré osvětlení.** V nepořádku a přítmí dochází snadno k nehodám a úrazům.
- b) **S elektrickým nářadím nepracujte ve výbušném prostředí, jaké představují hořlavé kapaliny a plyny nebo prach.** Elektrické nářadí jiskří, a proto se mohou výpary nebo prach vznítit.
- c) **Při práci s elektrickým nářadím udržujte děti a okolostojící osoby v dostatečné vzdálenosti.** Pokud by vás někdo rozptyloval, snadno nad nářadím ztratíte kontrolu.

#### 2) Elektrická bezpečnost

- a) **Síťová zástrčka musí odpovídat zásuvce. Nikdy zástrčku nijak neupravujte. U zemněného nářadí nepoužívejte žádné upravované zástrčky.** Pouze s neupravovanou zástrčkou a odpovídající zásuvkou může být nebezpečí úrazu elektrickým proudem minimální.
- b) **Dbejte, abyste se nedotýkali zemněných povrchů, jako jsou potrubí, radiátory, sporáky nebo chladničky.** Když máte tělo uzemněné, je nebezpečí úrazu elektrickým proudem větší.
- c) **Nevystavujte elektrické nářadí dešti ani vlhkosti.** Vnikne-li do nářadí voda, nebezpečí úrazu elektrickým proudem se zvyšuje.
- d) **S přívodní šňůrou zacházejte šetrně a používejte ji pouze k jejímu účelu. Nikdy za ni nářadí nenoste ani nevěčte a nevytahujte za ni zástrčku ze zásuvky. Uchovávejte ji mimo dosah horka a mimo kontakt s oleji, ostrými hranami a pohyblivými díly.** Poškozená nebo zapletená šňůra zvyšuje nebezpečí úrazu elektrickým proudem.
- e) **Při práci venku používejte prodlužovací kabel vhodný pro venkovní prostředí.** Používáním

kabelů vhodných pro venkovní prostředí se snižuje nebezpečí úrazu elektrickým proudem.

- f) **Musíte-li používat toto elektrické nářadí ve vlhkém prostředí, používejte v elektrickém obvodu proudový chránič (RCD).** Použití proudového chrániče (RCD) snižuje riziko úrazu elektrickým proudem.
- #### 3) Osobní bezpečnost
- a) **Udržujte stále pozornost, soustřeďte se na to, co děláte, a při práci s elektrickým nářadím se řiďte zdravým rozumem. Jste-li unaveni nebo pod vlivem drog, alkoholu nebo léků, s elektrickým nářadím nepracujte.** Při práci s elektrickým nářadím stačí chvilkov a nepozornost, aby došlo k vážnému úrazu.
  - b) **Vždy používejte prvky osobní ochrany. Vždy noste vhodný prostředek ochrany zraku.** Nošením odpovídajících bezpečnostních pomůcek a vybavení, jako je respirátor, neklouzavá obuv, tvrdý klobouk nebo prostředek ochrany sluchu, se nebezpečí úrazu snižuje.
  - c) **Zabraňte náhodnému spuštění nářadí. Než nářadí zapojíte do sítě, přesvědčte se, že je vypínač ve vypnuté poloze.** Přenášení elektrického nářadí s prstem na spouštěcím spínači nebo připojení elektrického nářadí k zdroji elektrické energie, je-li spouštěcí spínač v poloze zapnuto, zvyšuje pravděpodobnost vzniku nehod.
  - d) **Než elektrické nářadí zapnete, sundejte z něj všechny seřizovací klíče a jiné nástroje.** Necháte-li klíč nebo nástroj ve styku s rotačním dílem nástroje, může snadno dojít k úrazu.
  - e) **Nikam se nenapřahujte. Udržujte si soustavně pevný postoj a rovnováhu.** V neočekávaných situacích pak dokážete elektrické nářadí lépe kontrolovat.
  - f) **Na práci se vhodné oblečte. Nenoste žádný volný oděv ani šperky. Vlasy, oblečením ani rukavicemi se nepřibližujte k pohyblivým součástem nářadí.** Volný oděv, šperky a dlouhé vlasy by se mohly pohyblivými součástmi zachytit.
  - g) **Pokud je nářadí vybaveno tak, že k němu lze připojit zařízení na odsávání a odlučování prachu, dbejte, aby bylo připojeno a řádně používáno.** Používáním takového zařízení se snižují rizika spojená s vířením prachu.
  - h) **Nedovoľte, aby jistota získaná častým používáním nářadí vedla ke snížení vaší pozornosti a ignorování zásad bezpečné práce s nářa-**

dím. Neopatrný úkon může během zlomku sekundy způsobit vážné zranění.

#### 4) Práce s elektrickým nářadím a péče o ně

- a) **Na elektrické nářadí netlačte. Pro svůj účel zvolte vhodné nářadí.** Správné nářadí vykoná práci lépe a bezpečněji rychleji, na kterou je konstruováno.
- b) **Jestliže vypínač nářadí nezapíná či nevypíná, nářadí nepoužívejte.** Elektrické nářadí, které se nedá vypínačem ovládat, je nebezpečné a je třeba dát je opravit.
- c) **Než začnete elektrické nářadí jakkoliv seřizovat, vyměňovat příslušenství nebo ukládat, odpojte jeho zástrčku od sítě.** Tímto preventivním bezpečnostním opatřením snížíte riziko, že se nářadí bezděčně uvede do chodu.
- d) **Pokud s nářadím nepracujete, uchovávejte je mimo dosah dětí. Osobám, které nejsou s obsluhou nářadí nebo s těmito pokyny seznámeny, nedovolte s ním pracovat.** V rukou neškolené osoby je elektrické nářadí nebezpečné.
- e) **Věnujte elektrickému nářadí potřebnou údržbu. Kontrolujte, zda je na nářadí všechno správně seřízeno a utaženo, pohyblivé části nedrů, žádná součást není zlomena nebo nářadí není ani jinak ve stavu, který by mohl narušit jeho správný chod. Pokud je elektrické nářadí poškozeno, je třeba dát je před použitím opravit.** Nedostatečně udržované nářadí již způsobilo četné úrazy.
- f) **Řezné nářadí udržujte ostré a čisté.** Řádně udržované řezné nářadí s nabroušeným ostřím se tak snadno nezadře a snáze se ovládá.
- g) **Elektrické nářadí, příslušenství, vrtáky atd. používejte v souladu s těmito pokyny, a to způsobem a pro účel, pro který je nářadí konstruováno. Přitom berte v úvahu pracovní podmínky a práci, kterou chcete vykonat.** Používáním elektrického nářadí na činnosti, na které není konstruováno, se můžete snadno dostat do nebezpečné situace.
- h) **Dbejte na to, aby byly rukojeti a úchopné povrchy suché, čisté a zbvavené olejů a maziv.** Kluzké rukojeti a úchopné povrchy neumožňují bezpečnou manipulaci a ovládání nářadí v neočekávaných situacích.

#### 5) Servis

- a) **Svěřte opravu vašeho elektrického nářadí pouze osobě s příslušnou kvalifikací, která bude používat výhradně originální náhradní díly.** Tím zajistíte bezpečný provoz tohoto elektrického nářadí.

### BEZPEČNOSTNÍ POKYNY K ROZBRUŠOVACÍM PILÁM – POKYNY K ŘEZÁNÍ

1. Při řezání vždy používejte pouze řeznou hranu kotouče (nikdy ne stranu). Na kotouč nevyvíjejte boční tlak a zejména jej nenechte uvíznout.
2. Udržujte ruce a nohy v bezpečné vzdálenosti od kotouče. Při řezání nepoužívejte volné oděvy, které mohou být strojem zachyceny.
3. S pilovým kotoučem zacházejte opatrně, nikdy jej nenechte spadnout a uchovávejte jej na bezpečném a suchém místě. Vyvarujte se příliš vysokých teplot a vlhkosti.
4. Zajistěte, aby všechny příruby kotouče a další osazené části byly v dobrém stavu, a aby se instalovaly podle pokynů. Poškozené nebo chybějící díly mohou vést k poškození kotouče. Vždy používejte příruby dodané se strojem.
5. Nikdy nepracujte s poškozenými kotouči, protože mohou být nebezpečné. Při výměně kotouče nejprve vypněte stroj. Rukou otáčejte kotoučem a zkontrolujte jej z hlediska nestejnomyšlosti, zkroucení nebo natržení. Pokud zjistíte jakoukoliv z těchto vad, již jej dál nepoužívejte a vyměňte jej za nový. Rovněž vyměňte kotouč, který spadl na podlahu. Ačkoliv nemusí být viditelně poškozený, mohl zkréhnout.
6. Před zahájením řezání proveďte testovací provoz, tj. zapněte motor a zkontrolujte správnou funkci kotouče. Po výměně kotouče nechte pilu běžet tři minuty. Potom před každou prací provádějte testovací provoz po dobu jedné minuty.
7. Když stroj běží, nikdy se nepokoušejte odstranit nebo upnout obrobek. Před odstraňováním jakéhokoliv obrobku nebo změnou nastavení vždy počkejte, dokud se kotouč úplně nezastaví.
8. Před instalací vždy zkontrolujte kotouče s pryskyřicí a gumou z hlediska natržení.
9. Vždy zkontrolujte, zda maximální povolené otáčky řezného kotouče odpovídají maximálním otáčkám motoru. Nikdy nepřekračujte maximální povolené otáčky uvedené na kotouči.
10. Nikdy se nepokoušejte namontovat kotouč na stroj násilím nebo měnit velikost osazení. Nikdy nepoužívejte kotouče s nekompatibilními

- rozměry. Používejte pouze kotouče s rozměry kompatibilními se strojem.
11. Nepokoušejte se na stroj nainstalovat pilové kotouče, protože není určen k řezání dřeva.
  12. Nezačínejte řezat, dokud motor nedosáhl plných otáček.
  13. Pokud se kotouč během provozu stroje již netočí nebo motor zní jako přetížený, ihned vypněte motor.
  14. Snadno hořlavé nebo křehké předměty udržujte v bezpečné vzdálenosti od stroje. Obsluha stroje musí zabránit tomu, aby se její ruce, obličej nebo nohy dostaly do kontaktu s jiskrami vznikajícími při řezání.
  15. Umístěte stroj pevně na rovný a vodorovný povrch.
  16. Stroj provozujte pouze při napětí uvedeném na typovém štítku.
  17. Nikdy se nedotýkejte uříznutého obrobku, vždy jej nechte nejprve vychladnout.
  18. Nikdy neřežte obrobky s většími než povolenými rozměry.
  19. Během řezání se nikdy nezdržujte v ose kotouče. Vždy se držte na jedné straně.
  20. Nainstalovaná bezpečnostní zařízení nechte trvale na svém místě.
  21. Vždy řežte pomalu a opatrně. Kotoučem nikdy nepůsobte na obrobek prudkými pohyby.
  22. Na kotouč nikdy nepřitlačujte obrobek, který držíte rukama. K upnutí obrobku vždy používejte upínky.
  23. Udržujte ruce v bezpečné vzdálenosti od řezného kotouče. Nikdy neřežte obrobky za podmínek, kdy je nutné jejich ruční přidržování ve vzdálenosti menší než 15 cm od řezného kotouče.
  24. Zajistěte správné podepření obrobku.
  25. Nikdy nepoužívejte řezné kapaliny. Tyto kapaliny se mohou vznítit nebo způsobit úraz elektrickým proudem.
  26. Neřežte litinu.
  27. Neřežte plasty, dřevo nebo syntetické materiály.
  28. Neřežte hořčík.

### Elektrická bezpečnost



Vždy zkontrolujte, zda se napájecí napětí sítě shoduje s napájecím napětím na výkonovém štítku.

- Nepoužívejte tento stroj, je-li poškozen jeho napájecí kabel nebo zástrčka.

- Používejte pouze prodlužovací kabely, které jsou vhodné pro příkon tohoto zařízení a které mají minimální průřez 1,5 mm<sup>2</sup>. Budete-li používat prodlužovací kabel na cívce, vždy odmotejte celý kabel.

## 2. INFORMACE O NÁŘADÍ

### Určené použití

Rozbrušovací pila je určena k řezání ocelových materiálů různých tvarů.

### TECHNICKÉ ÚDAJE

Model č.	CS505AC
Napájecí napětí	220V-240V~
Frekvence	50/60Hz
Příkon	2.300 W
Jmenovité otáčky	4300/min
Rozměry řezného kotouče	Ø 355mm x Ø 25.4mm
Akustický tlak L <sub>PA</sub>	92 dB(A) K=3
Akustický výkon L <sub>WA</sub>	105 dB(A) K=3
Vibrace a <sub>h,AG</sub>	2.90+1.5 m/s <sup>2</sup>
Hmotnost	15.8kg
Maximální kapacita řezání při 90°	
- Obdélník	115mm x 125mm
- Průřez L	135mm x 135mm
- Kruhový průřez	Ø 125mm
Maximální kapacita řezání při 45°	
- Obdélník	110mm x 102mm
- Průřez L	110mm x 110mm
- Kruhový průřez	Ø 110mm

### Úroveň vibrací

Deklarovaná úroveň vibrací uvedená v tomto návodu byla měřena v souladu se standardní zkušební metodou předepsanou normou EN 62841. Tato úroveň vibrací může být použita pro srovnání jednotlivých nářadí mezi sebou a také při předběžném posouzení působících vibrací při používání nářadí při uvedených aplikacích.

- použití tohoto nářadí pro jiné aplikace nebo s odlišným nebo špatně udržovaným příslušenstvím může značně zvýšit působení vibrací.



- doba, kdy je nářadí vypnuto nebo kdy je v chodu, ale aktuálně nevykonává žádnou práci, může působení vibrací značně zmírnit.
- Po vytažení kolíku (11) se stroj může volně pohybovat nahoru a dolů.

Chraňte se před působením vibrací prováděním řádné údržby tohoto nářadí i jeho příslušenství, udržujte ruce v teple a provádějte práci správným způsobem.

## POPIS

Čísla v následujícím textu odkazují na obrázky na stranách 2 - 5.

1. Horní bezpečnostní kryt
2. Pohyblivý bezpečnostní kryt
3. Řezný kotouč
4. Deflektor jisker
5. Přichytka obrobku
6. Rukojeť
- 7a. Spínač zapnuto/vypnuto
- 7b. Zajišťovací tlačítko
8. Víčko uhlíkového kartáče
9. Zajišťovací tlačítko vřetene
- 10A. Šroub hloubkového dorazu
- 10B. Matice hloubkového dorazu
11. Převrácení zajišťovací kolík
12. Zadní upínka obrobku
13. Přední upínka obrobku
14. Páka aretace
15. Vřeteno pro upínání obrobku
16. Klíč pro výměnu kotouče
17. Vřeteno stroje
18. Velká vnitřní podložka
19. Velká vnější podložka
20. Malá podložka
21. Šroub kotouče

## 3. POUŽITÍ



*Před výměnou kotouče nebo seřizováním stroje nejprve vytáhněte zástrčku stroje ze síťové zásuvky.*

### Odstranění přepravního zajištění (Obr. B)

Stroj je vybaven přepravním zajišťovacím kolíkem (11), který stroj drží ve spodní poloze kvůli usnadnění přepravy a skladování. Zajišťovací tlačítko blokuje pohyb pily nahoru a dolů. Před použitím pily se musí deaktivovat.

- Odstraňte přepravní zajištění mírným stlačením stroje dolů. Při stlačení dolů je možno druhou rukou vytáhnout zajišťovací kolík (11).

### Aktivace přepravního zajištění (Obr. B)

- Stlačte stroj dolů do nejnižší polohy.
- Potom zatlačte přepravní zajišťovací kolík (11) na své místo.

### Montáž a demontáž řezného kotouče (Obr. A, B a C)



*Před výměnou kotouče vždy vytáhněte síťovou zástrčku.*



*Před výměnou kotouče si vždy přečtěte příslušné bezpečnostní pokyny.*

#### Demontáž řezného kotouče

- Z podstavce stroje vyjměte klíč na kotouč (16).
- Demontáž kotouče je snadnější, kdy je pohyblivý bezpečnostní kryt (2) přestaven nahoru.
- Stiskněte blokovací tlačítko vřetene (9), aby se zablokoval pohyb vřetene stroje.
- Držte stisknuté blokovací tlačítko vřetene (9). Nasadte klíč (16) na upevňovací šroub kotouče a pootáčejte jím tak, aby se tlačítko (9) maximálně zatlačilo a zablokovalo se vřeteno.
- Demontujte šroub (21), malou podložku (20) a velkou vnější podložku (19).
- Potom sejměte řezný kotouč (3).

#### Montáž řezného kotouče

- Pokud toto ještě nebylo provedeno, demontujte šroub (21) jeho otáčením doleva, potom sejměte malou podložku (20) a velkou vnější podložku (19).
- Nasadte řezný kotouč (3) na vřeteno stroje.
- Nejprve nasadte velkou vnější podložku (19), potom malou podložku (20) a potom namontujte upevňovací šroub (21) podle obr. C a utáhněte jej rukou, dokud se nezačne otáčet vřeteno.
- Stiskněte blokovací tlačítko vřetene (9), aby se zablokoval pohyb vřetene stroje.
- Držte stisknuté blokovací tlačítko vřetene (9). Nasadte klíč (16) na upevňovací šroub kotouče a pootáčejte jím doprava.
- Když se zablokuje otáčení vřetene, utáhněte upevňovací šroub kotouče pomocí klíče (16).
- Uvolněte blokovací tlačítko vřetene a zkontrolujte, zda již neblokuje pohyb vřetene.

Potom zkontrolujte správnou montáž kotouče:

- Rukou otáčejte kotoučem (3) několik otáček a kontrolujte jeho volné otáčení a správné usazení.
- Zapněte stroj a nechte jej běžet minimálně 3 minuty.

**Zapnutí a vypnutí nářadí (obr. B)**

- Chcete-li spustit toto nářadí, podržte stisknuté zajišťovací tlačítko (7b) a stiskněte vypínač (7a).
- Chcete-li nářadí vypnout, uvolněte vypínač (7a).

**Upínka obrobku (5) (Obr. A, B a D)**

- Umístěte obrobek mezi přední upínku (13) a zadní upínku (12).
- Zvedněte aretaci (14) způsobem uvedeným na obr. D a otáčejte rukojetí šroubu (15) dopředu, dokud se přední upínka (13) nedotkne obrobku.
- Potom přestavte aretaci (14) dolů (aby se zajistilo vřetenou) a upněte obrobek otáčením rukojeti šroubu (15).

**Úhlové řezání (Obr. E)**

Stroj umožňuje nastavením zadní upínky (12) úhlové řezání pod úhly od 0° do 45°.

- Povolte 2 šrouby M10 s šestihrannou hlavou (22 a 23), které upevňují zadní upínku (12) – tak, aby bylo možné pohybovat svěrákem.
- Potom nastavte zadní upínku (12) na správný úhel a opět utáhněte oba šrouby (22 a 23).

**Přestavení zadního svěráku (pro řezání větších obrobků) (Obr. F)**

Ve stavu dodání z výrobního závodu svěrák umožňuje řezání obrobků o maximální velikosti 160 mm. Svěrák lze přestavit dozadu, aby bylo možné řezat obrobky velikosti 195 mm, jak je vidět na obrázku vpravo (obr. F).

- Úplně povolte 2 šrouby M10 s šestihrannou hlavou (22 a 23) na zadní upínce (12).
- Posuňte upínku (12) dozadu a šrouby (22 a 23) namontujte do zadních otvorů.

**Seřízení hloubkového dorazu (Obr. B)**

Stroj je vybaven šroubem hloubkového dorazu, kterým lze seřizovat maximální hloubku řezu.

- Při seřizování hloubky řezu povolte spodní matici (10B) a potom seřídte hloubku otáčením horního šroubu (10A) do požadované polohy.
- Potom opět utáhněte spodní matici (10B).

**Postup řezání**

Při řezání materiálu vždy postupujte následovně:

- Před spuštěním stroje zkontrolujte správné upnutí a podepření obrobku.
- Spusťte stroj v horní poloze a nechte jej běžet, dokud nedosáhne maximálních otáček.
- Zkontrolujte volné otáčení kotouče bez vibrací.
- Opatrně pohybujte strojem dolů, dokud se nedotkne materiálu.
- Malou silou rovnoměrně stlačujte páku a dbejte na to, aby neklesaly otáčky kotouče.
- Po provedení řezu uvolněte vypínač a opatrně pohybujte strojem nahoru.
- Obrobek vyjměte až po úplném zastavení řezného kotouče.



*Při řezání nevyvíjejte příliš velkou sílu na páku, protože by docházelo k rychlejším opotřebením kotouče a stroje a nedosáhlo by se rychlejšího řezání.*

**Kontrola a výměna uhlíkových kartáčů**

Motor má 2 uhlíky, které se používáním opotřebují. Je důležité kontrolovat stav uhlíkových kartáčů, protože opotřebený uhlíkový kartáč může mít za následek nízký výkon a poškození motoru.

Demontáž uhlíkových kartáčů (Obr. B)

- Ujistěte se, že je zástrčka stroje vytažená ze síťové zásuvky.
- Demontujte víčko uhlíkového kartáče (8).
- Vyjměte uhlíkové kartáče opatrným vytažením za pružinku.
- Zkontrolujte uhlíkový kartáč, pokud je kratší než 6 mm, je opotřebený a musí se ihned vyměnit.
- Zopakujte stejnou činnost na druhé straně.

Opětovné vložení uhlíkových kartáčů (Obr. B)

- Ujistěte se, že je zástrčka stroje vytažená ze síťové zásuvky.
- Vložte uhlíkové kartáče a zatlačte pružinku zpět na místo.
- Držte pružinku stlačenou, nasaďte víčko uhlíkového kartáče (8) a otočte jej doprava.
- Po montáži obou uhlíkových kartáčů vyzkoušejte, zda stroj běží hladce bez jisker.



*Vždy vyměňujte oba uhlíkové kartáče.*

## 4. ÚDRŽBA



*Před čištěním a prováděním údržby vždy stroj vypněte a vypojte zástrčku napájecího kabelu ze síťové zásuvky.*

Pravidelně čistěte kryt zařízení jemným hadříkem, ideálně po každém použití. Ujistěte se, zda nejsou větrací otvory zaneseny prachem nebo jinými nečistotami. Odolnější nečistoty odstraňte pomocí jemného hadříku navlhčeného v mýdlové pěně. Nepoužívejte žádná rozpouštědla, jako jsou benzín, líh, čpavek atd. Takové chemické látky mohou způsobit poškození dílů z umělé hmoty.

## OCHRANA ŽIVOTNÍHO PROSTŘEDÍ



*Poškozená a likvidovaná elektrická nebo elektronická zařízení musí být odevzdána ve sběrných dvorech, které jsou určeny pro tento účel.*

### Pouze pro země EU

Nevyhazujte elektrická nářadí do běžného domácího odpadu. Podle evropské směrnice 2012/19/EU týkající se likvidace elektrických a elektronických zařízení a její implementace do vnitrostátního práva, musí být nepoužívaná elektrická nářadí shromažďována odděleně a jejich likvidace musí být provedena tak, aby nedošlo k ohrožení životního prostředí.

## ZÁRUKA

Výrobky VONROC jsou vyvíjeny v souladu s požadavky norem na nejvyšší kvalitu a je zaručeno, že po dobu platné záruky, která začíná běžet dnem původního nákupu, nebudou na těchto výrobcích žádné vady materiálu, ani vady způsobené špatným dílenským zpracováním. Dojde-li během tohoto období k závadě v důsledku vady materiálu nebo dílenského zpracování, kontaktujte přímo firmu VONROC.

Z této záruky jsou vyloučeny následující případy:

- Opravy nebo úpravy tohoto zařízení byly provedeny nebo byly provedeny pokusy o jejich provedení v neautorizovaných servisech;
- Běžné opotřebení;
- Toto zařízení bylo nesprávně použito, nevhodně použito nebo nebyla prováděna jeho správná údržba;
- Byly použity neoriginální náhradní díly.

Výše uvedené představuje jedinou záruku poskytovanou společností, ať už výslovnou nebo předpokládanou. Neexistují žádné další záruky, výslovné ani nebo předpokládané, které přesahují rámec zde uvedeného, včetně předpokládaných záruk prodejnosti a vhodnosti pro určitý účel. VONROC v žádném případě neodpovídá za jakékoliv náhodné nebo následné škody. Opravné prostředky prodejců se omezují výhradně na opravu nebo výměnu nevyhovujících jednotek nebo dílů.

**Na tomto výrobku a v tomto návodu mohou být prováděny změny. Technické údaje mohou být změněny bez předchozího upozornění.**









## DECLARATION OF CONFORMITY CS505AC - CHOP SAW

- (EN) We declare under our sole responsibility that this product is in conformity with directive 2011/65/EU of the European parliament and of the council of 8 June on the restriction of the use of certain hazardous substances in electrical and electronic equipment is in conformity and accordance with the following standards and regulations:
- (DE) Der Hersteller erklärt eigenverantwortlich, dass dieses Produkt der Direktive 2011/65/EU des Europäischen Parlaments und des Rats vom 8. Juni 2011 über die Einschränkung der Anwendung von bestimmten gefährlichen Stoffen in elektrischen und elektronischen Geräten entspricht. den folgenden Standards und Vorschriften entspricht:
- (NL) Wij verklaren onder onze volledige verantwoordelijkheid dat dit product voldoet aan de conform Richtlijn 2011/65/EU van het Europees Parlement en de Raad van 8 juni 2011 betreffende beperking van het gebruik van bepaalde gevaarlijke stoffen in elektrische en elektronische apparatuur en in overeenstemming is met de volgende standaarden en reguleringen:
- (FR) Nous déclarons sous notre seule responsabilité que ce produit est conforme aux standards et directives suivants: est conforme à la Directive 2011/65/EU du Parlement Européen et du Conseil du 8 juin 2011 concernant la limitation d'usage de certaines substances dangereuses dans l'équipement électrique et électronique.
- (ES) Declaramos bajo nuestra exclusiva responsabilidad que este producto cumple con las siguientes normas y estándares de funcionamiento: se encuentra conforme con la Directiva 2011/65/UE del Parlamento Europeo y del Consejo de 8 de junio de 2011 sobre la restricción del uso de determinadas sustancias peligrosas en los equipos eléctricos y electrónicos.
- (IT) Dichiariamo, sotto la nostra responsabilità, che questo prodotto è conforme alle normative e ai regolamenti seguenti: è conforme alla Direttiva 2011/65/UE del Parlamento Europeo e del Consiglio dell'8 giugno 2011 sulla limitazione dell'uso di determinate sostanze pericolose nelle apparecchiature elettriche ed elettroniche.
- (SV) Vi försäkrar under vårt eget ansvar att denna produkt överensstämmer med Europaparlamentets och rådets direktiv 2011/65/EU av den 8 juni om begränsning av användningen av vissa farliga ämnen i elektrisk och elektronisk utrustning och är i överensstämmelse och enlighet med följande standarder och föreskrifter:
- (DA) Vi erklærer under eget ansvar, at dette produkt er i overensstemmelse med følgende standarder og bestemmelser: er i overensstemmelse med direktiv 2011/65/EU fra Europa-Parlamentet og Rådet af 8. juni 2011 om begrænsning af anvendelsen af visse farlige stoffer i elektrisk og elektronisk udstyr.
- (PL) Deklarujemy na własną odpowiedzialność, że ten produkt spełnia wymogi zawarte w następujących normach i przepisach: jest zgodny z Dyrektywą 2011/65/UE Parlamentu Europejskiego i Rady z dnia 8 czerwca 2011 r. w sprawie ograniczenia stosowania niektórych niebezpiecznych substancji w sprzęcie elektrycznym i elektronicznym.
- (RO) Declărăm sub responsabilitatea exclusivă că acest produs este în conformitate cu Directiva 2011/65/UE a Parlamentului și a Consiliului European din 8 iunie privind restricționarea utilizării anumitor substanțe periculoase în echipamentele electrice și electronice și în conformitate cu următoarele standarde și reglementări:
- (PT) Declaramos por nossa total responsabilidade de que este produto está em conformidade e cumpre as normas e regulamentações que se seguem: está em conformidade com a Directiva 2011/65/UE do Parlamento Europeu e com o Conselho de 8 de Junho de 2011 no que respeita à restrição de utilização de determinadas substâncias perigosas existentes em equipamento eléctrico e electrónico.
- (HU) Felelősségünk teljes tudatában kijelentjük, hogy ez a termék teljes mértékben megfelel az alábbi szabványoknak és előírásoknak: je v souladu se směrnici 2011/65/EU Evropského parlamentu a Rady EU ze dne 8. června 2011, která se týká omezení použití určitých nebezpečných látek v elektrických a elektronických zařízeních.
- (CS) Na naši vlastní zodpovědnost prohlašujeme, že je tento výrobek v souladu s následujícími standardy a normami: Je v súlade s normou 2011/65/EÚ Európskeho parlamentu a Rady z 8. júna 2011 týkajúcej sa obmedzenia používania určitých nebezpečných látok v elektrickom a elektronickom vybavení.

**EN 62841-1, EN 62841-3-10, EN 55014-1, EN 55014-2, EN 61000-3-2, EN 61000-3-3, 2006/42/EC, 2014/30/EU, 2012/19/EU, 2011/65/EU,**

Zwolle, 01-05-2022

H.G.F Rosberg  
CEO

**VONROC • Lingenstraat 6 • 8028 PM Zwolle • The Netherlands**



**VONROC®**  
BUILD YOUR FUTURE

©2022 VONROC  
[WWW.VONROC.COM](http://WWW.VONROC.COM)

2205-11