



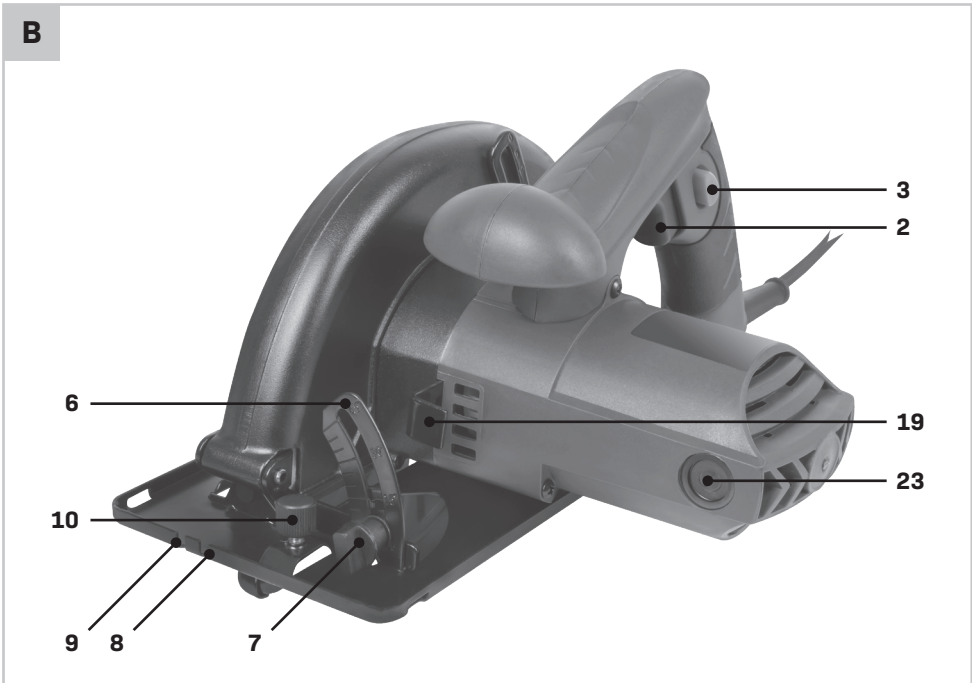
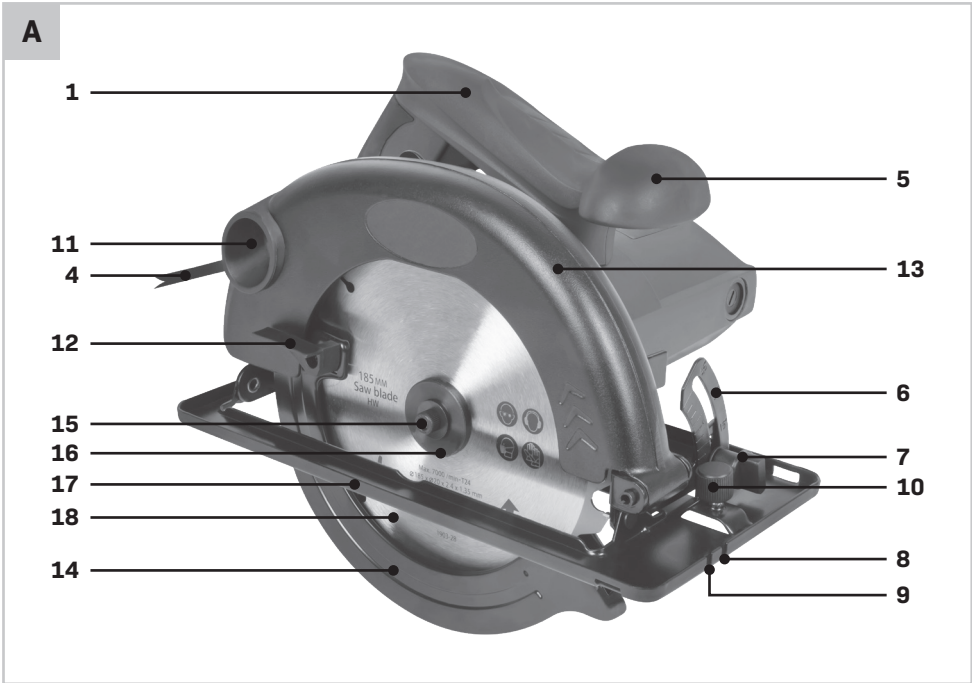
VONROC®

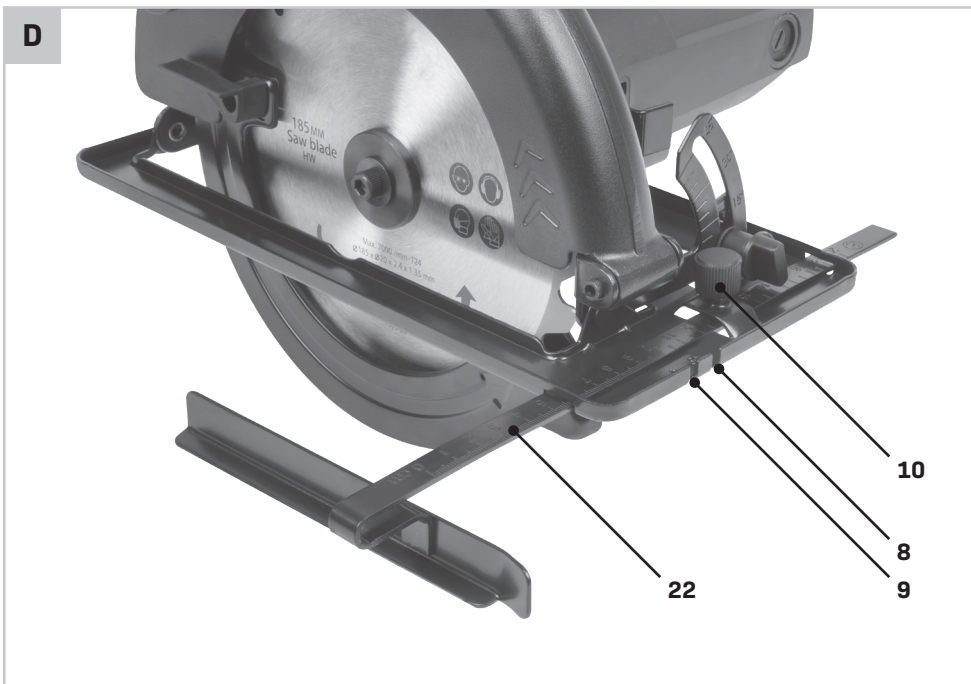
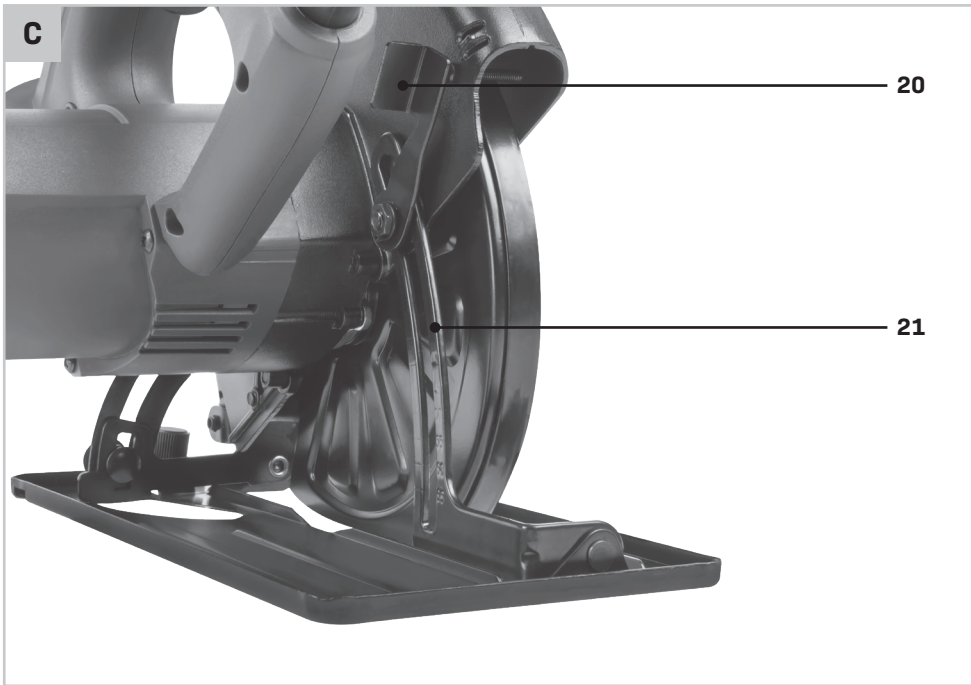
BUILD YOUR FUTURE

CIRCULAR SAW CS502AC



EN	Original Instructions	04
DE	Übersetzung Der Originalbetriebsanleitung	10
NL	Vertaling van de oorspronkelijke gebruiksaanwijzing	18
FR	Traduction de la notice originale	25
ES	Traducción del manual original	33
IT	Traduzione delle istruzioni originali	40
SV	Översättning av bruksanvisning i original	48
DA	Oversættelse af den originale brugsanvisning	54
PL	Tłumaczenie instrukcji oryginalnej	61
RO	Traducere a instrucțiunilor originale	69
PT	Tradução do manual original	76
HU	Az eredeti használati útmutató fordítása	84
CS	Překlad originálního návodu k obsluze	92





1. SAFETY INSTRUCTIONS

Read the enclosed safety warnings, the additional safety warnings and the instructions. Failure to follow the safety warnings and the instructions may result in electric shock, fire and/or serious injury. Save the safety warnings and the instructions for future reference.

The following symbols are used in the user manual or on the product:



Read the user manual.



Denotes risk of personal injury, loss of life or damage to the tool in case of non-observance of the instructions in this manual.



Risk of electric shock.



Immediately remove the mains plug from the mains if the mains cable becomes damaged and during cleaning and maintenance.



Class II machine - Double insulation - You don't need any earthed plug.



Keep bystanders, especially children and pets, at a distance greater than 10m.



Wear eye protection.



Wear ear protection.



Wear a dust mask protection.



Take note of the dimensions of the saw blade. The hole diameter must fit the tool spindle without play. If it is necessary to use reducers, ensure that the dimensions of the reducer are suitable for the base blade thickness and the saw blade hole diameter, as well as the tool spindle diameter. Wherever possible, use the reducers provided with the saw blade. The saw

blade diameter must match the information specified on the symbol.



Danger Area! Keep hands far away (10cm) from the cutting area while the machine is running. Danger of injury when coming in contact with the saw blade.



Do not dispose of the product in unsuitable containers.



The product is in accordance with the applicable safety standards in the European directives.

GENERAL POWER TOOL SAFETY WARNINGS



WARNING! Read all safety warnings and all instructions. Failure to follow the warnings and instructions may result in electric shock, fire and/or serious injury.

Save all warnings and instructions for future reference.

The term "power tool" in the warnings refers to your mains-operated (corded) power tool or battery-operated (cordless) power tool.

1) Work area safety

- Keep the work area clean and well lit.** Cluttered or dark areas invite accidents.
- Do not operate power tools in explosive atmospheres, such as in the presence of flammable liquids, gases or dust.** Power tools create sparks which may ignite the dust or fumes.
- Keep children and bystanders away while operating a power tool.** Distractions can cause you to lose control.

2) Electrical safety

- Power tool plugs must match the outlet. Never modify the plug in any way. Do not use any adapter plugs with earthed (grounded) power tools.** Unmodified plugs and matching outlets will reduce risk of electric shock.
- Avoid body contact with earthed or grounded surfaces, such as pipes, radiators, ranges and refrigerators.** There is an increased risk of electric shock if your body is earthed or grounded.
- Do not expose power tools to rain or wet conditions.** Water entering a power tool will increase

the risk of electric shock.

- d) **Do not abuse the cord. Never use the cord for carrying, pulling or unplugging the power tool. Keep cord away from heat, oil, sharp edges or moving parts.** Damaged or entangled cords increase the risk of electric shock.
- e) **When operating a power tool outdoors, use an extension cord suitable for outdoor use.** Use of a cord suitable for outdoor use reduces the risk of electric shock.
- f) **If operating a power tool in a damp location is unavoidable, use a residual current device (RCD) protected supply.** Use of an RCD reduces the risk of electric shock.

3) Personal safety

- a) **Stay alert, watch what you are doing and use common sense when operating a power tool. Do not use a power tool while you are tired or under the influence of drugs, alcohol or medication.** A moment of inattention while operating power tools may result in serious personal injury.
- b) **Use personal protective equipment. Always wear eye protection.** Protective equipment such as dust mask, non-skid safety shoes, hard hat, or hearing protection used for appropriate conditions will reduce personal injuries.
- c) **Prevent unintentional starting. Ensure the switch is in the off-position before connecting to power source and/or battery pack, picking up or carrying the tool.** Carrying power tools with your finger on the switch or energising power tools that have the switch on invites accidents.
- d) **Remove any adjusting key or wrench before turning the power tool on.** A wrench or a key left attached to a rotating part of the power tool may result in personal injury.
- e) **Do not overreach. Keep proper footing and balance at all times.** This enables better control of the power tool in unexpected situations.
- f) **Dress properly. Do not wear loose clothing or jewellery. Keep your hair, clothing and gloves away from moving parts.** Loose clothes, jewellery or long hair can be caught in moving parts.
- g) **If devices are provided for the connection of dust extraction and collection facilities, ensure these are connected and properly used.** Use of dust collection can reduce dust related hazards.
- h) **Do not let familiarity gained from frequent use of tools allow you to become complacent and ignore**

tool safety principles. A careless action can cause severe injury within a fraction of a second.

4) Power tool use and care

- a) **Do not force the power tool. Use the correct power tool for your application.** The correct power tool will do the job better and safer at the rate for which it was designed.
- b) **Do not use the power tool if the switch does not turn it on and off.** Any power tool that cannot be controlled with the switch is dangerous and must be repaired.
- c) **Disconnect the plug from the power source and/or the battery pack from the power tool before making any adjustments, changing accessories, or storing power tools.** Such preventive safety measures reduce the risk of starting the power tool accidentally.
- d) **Store idle power tools out of the reach of children and do not allow persons unfamiliar with the power tool or these instructions to operate the power tool.** Power tools are dangerous in the hands of untrained users.
- e) **Maintain power tools. Check for misalignment or binding of moving parts, breakage of parts and any other condition that may affect the power tool's operation. If damaged, have the power tool repaired before use.** Many accidents are caused by poorly maintained power tools.
- f) **Keep cutting tools sharp and clean.** Properly maintained cutting tools with sharp cutting edges are less likely to bind and are easier to control.
- g) **Use the power tool, accessories and tool bits etc. in accordance with these instructions, taking into account the working conditions and the work to be performed.** Use of the power tool for operations different from those intended could result in a hazardous situation.
- h) **Keep handles and grasping surfaces dry, clean and free from oil and grease.** Slippery handles and grasping surfaces do not allow for safe handling and control of the tool in unexpected situations.

5) Battery tool use and care

- a) **Recharge only with the charger specified by the manufacturer.** A charger that is suitable for one type of battery pack may create a risk of fire when used with another battery pack.
- b) **Use power tools only with specifically designated battery packs.** Use of any other battery packs may create a risk of injury and fire.

- c) **When battery pack is not in use, keep it away from other metal objects, like paper clips, coins, keys, nails, screws or other small metal objects that can make a connection from one terminal to another.** Shorting the battery terminals together may cause burns or a fire.
 - d) **Under abusive conditions, liquid may be ejected from the battery; avoid contact. If contact accidentally occurs, flush with water. If liquid contacts eyes, additionally seek medical help.** Liquid ejected from the battery may cause irritation or burns.
 - e) **Do not use a battery pack or tool that is damaged or modified.** Damaged or modified batteries may exhibit unpredictable behaviour resulting in fire, explosion or risk of injury.
 - f) **Do not expose a battery pack or tool to fire or excessive temperature.** Exposure to fire or temperature above 130 °C may cause explosion. NOTE The temperature „130 °C“ can be replaced by the temperature „265 °F“.
 - g) **Follow all charging instructions and do not charge the battery pack or tool outside the temperature range specified in the instructions.** Charging improperly or at temperatures outside the specified range may damage the battery and increase the risk of fire.
- 6) Service**
- a) **Have your power tool serviced by a qualified repair person using only identical replacement parts.** This will ensure that the safety of the power tool is maintained.
 - b) **Never service damaged battery packs.** Service of battery packs should only be performed by the manufacturer or authorized service providers.

SAFETY WARNINGS FOR CIRCULAR SAWS

Sawing methods

- **Warning: Keep hands away from cutting area and the blade.** Keep your second hand on auxiliary handle, or motor housing. If both hands are holding the saw, they cannot be cut by the blade.
- **Do not reach underneath the workpiece.** The guard cannot protect you from the blade below the workpiece.
- **Adjust the cutting depth to the thickness of the workpiece.** Less than a full tooth of the blade teeth should be visible below the workpiece.
- **Never hold the workpiece in your hands or across your leg while cutting.** Secure the workpiece to a stable platform. It is important to support the work properly to minimise body exposure, blade binding, or loss of control.
- **Hold the power tool by insulated gripping surfaces only, when performing an operation where the cutting tool may contact hidden wiring.** Contact with a “live” wire will also make exposed metal parts of the power tool “live” and could give the operator an electric shock.
- **When ripping, always use a rip fence or straight edge guide.** This improves the accuracy of cut and reduces the chance of blade binding.
- **Always use blades with correct size and shape (diamond versus round) of arbour holes.** Blades that do not match the mounting hardware of the saw will run eccentrically, causing loss of control.
- **Never use damaged or incorrect blade washers or bolt.** The blade washers and bolt were specially designed for your saw, for optimum performance and safety of operation.

Kickback causes and related warnings

- Kickback is a sudden reaction to a pinched, bound or misaligned saw blade, causing an uncontrolled saw to lift up and out of the workpiece toward the operator;
- When the blade is pinched or bound tightly by the kerf closing down, the blade stalls and the motor reaction drives the unit rapidly back toward the operator;
- If the blade becomes twisted or misaligned in the cut, the teeth at the back edge of the blade can dig into the top surface of the wood causing the blade to climb out of the kerf and jump back toward the operator.
- Kickback is the result of saw misuse and/or incorrect operating procedures or conditions and can be avoided by taking proper precautions as given below.
- **Maintain a firm grip with both hands on the saw and position your arms to resist kickback forces.** Position your body to either side of the blade, but not in line with the blade. Kickback could cause the saw to jump backwards, but kickback forces can be controlled by the operator, if proper precautions are taken.
- **When blade is binding, or when interrupting a cut for any reason, release the trigger and hold the saw motionless in the material until the blade comes to a complete stop.** Never attempt to remove the saw from the work or pull the saw

backward while the blade is in motion or kickback may occur. Investigate and take corrective actions to eliminate the cause of blade binding.

- **When restarting a saw in the workpiece, centre the saw blade in the kerf and check that saw teeth are not engaged into the material.** If saw blade is binding, it may walk up or kickback from the workpiece as the saw is restarted.
- **Support large panels to minimise the risk of blade pinching and kickback.** Large panels tend to sag under their own weight. Supports must be placed under the panel on both sides, near the line of cut and near the edge of the panel.
- **Do not use dull or damaged blades.** Unsharpened or improperly set blades produce narrow kerf causing excessive friction, blade binding and kickback.
- **Blade depth and bevel adjusting locking levers must be tight and secure before making cut.** If blade adjustment shifts while cutting, it may cause binding and kickback.
- **Use extra caution when sawing into existing walls or other blind areas.** The protruding blade may cut objects that can cause kickback.

Lower guard function

- **Check lower guard for proper closing before each use.** Do not operate the saw if lower guard does not move freely and close instantly. Never clamp or tie the lower guard into the open position. If saw is accidentally dropped, lower guard may be bent. Raise the lower guard with the retracting handle and make sure it moves freely and does not touch the blade or any other part, in all angles and depths of cut.
- **Check the operation of the lower guard spring. If the guard and the spring are not operating properly, they must be serviced before use.** Lower guard may operate sluggishly due to damaged parts, gummy deposits, or a build-up of debris.
- **The lower guard may be retracted manually only for special cuts such as “plunge cuts and angle cuts”.** Raise the lower guard by retracting the handle and as soon as the blade enters the material, release the lower guard. For all other sawing operations, the lower guard should operate automatically.
- **Always observe that the lower guard is covering the blade before placing saw down on bench or floor.** An unprotected, coasting blade will cause the saw to walk backwards, cutting whatever is

in its path. Be aware of the time it takes for the blade to stop after switch is released.

ADDITIONAL SAFETY WARNINGS

- **Do not reach into the chip ejector with your hands.** They could be injured by rotating parts.
- **Do not work overhead with the saw.** In this manner you do not have sufficient control over the power tool.
- **Use appropriate detectors to determine if utility lines are hidden in the work area or call the local utility company for assistance.** Contact with electric lines can lead to fire and electric shock. Damaging a gas line can lead to explosion. Penetrating a water line causes property damage.
- **Do not operate the power tool stationary.** It is not designed for operation with a saw table.
- **Do not use high speed steel (HSS) saw blades.** Such saw blades can easily break.
- **Do not saw ferrous metals.** Red hot chips can ignite the dust extraction.
- **When working with the machine, always hold it firmly with both hands and provide for a secure stance.** The power tool is guided more secure with both hands.
- **Secure the workpiece.** A workpiece clamped with clamping devices or in a vice is held more secure than by hand.
- **Always wait until the machine has come to a complete stop before placing it down.** The tool insert can jam and lead to loss of control over the power tool.
- **Circular saws are intended to cut wood or wood-like products, they cannot be used with abrasive cut-off wheels for cutting ferrous material such as bars, rods, studs, etc.** Abrasive dust causes moving parts such as the lower guard to jam. Sparks from abrasive cutting will burn the lower guard, the kerf insert and other plastic parts.
- **Use only saw blades that are marked with a speed equal or higher than the speed marked on the machine.**
- **Only use saw blades that match the specifications given in this operating manual and that have been tested and marked in accordance with EN 847-1.**

2. MACHINE INFORMATION

Intended use

This circular saw is intended for lengthwise, cross-wise and bevel cutting in wood while keeping the baseplate resting firmly on the workpiece. Sawing plastics or metals is not permitted.

The power tool with the fitted sawblade is designed with sufficient capacity for sawing hardwood and softwood as well as chipboard and fibreboard. The sawblade is not designed for cutting firewood. Do not use the saw to cut materials other than those specified described in manual.

TECHNICAL SPECIFICATIONS

Model No.	CS502AC
Voltage	230-240 V~
Frequency	50 Hz
Power input	1200W
No load speed	5500/min
Saw blade size	Ø185x Ø20x2.4mm
Sawing capacity 0°	65mm
Sawing capacity 45°	43mm
IP Class	IP20
Weight	3.47 kg
Sound pressure level LPA	92.8 dB(A), K=3dB(A)
Sound power level LWA	103.8 dB(A), K=3dB(A)
Vibration	3.201 m/s ² K=1.5 m/s ²

Vibration level

The vibration emission level stated in this instruction manual has been measured in accordance with a standardized test given in EN62841; it may be used to compare one tool with another and as a preliminary assessment of exposure to vibration when using the tool for the applications mentioned.

- Using the tool for different applications, or with different or poorly maintained accessories, may significantly increase the exposure level.
- The times when the tool is switched off or when it is running but not actually doing the job, may significantly reduce the exposure level.

Protect yourself against the effects of vibration by maintaining the tool and its accessories, keeping your hands warm, and organizing your work patterns.

DESCRIPTION

The numbers in the text refer to the diagrams on page 2-3.

1. Handgrip
2. On/off switch
3. Lock-off button
4. Power cord
5. Auxiliary handle
6. Scale for bevel angle
7. Clamping bolt for bevel angle
8. Cutting mark, 45°
9. Cutting mark, 0°
10. Clamping bolt for parallel guide
11. Dust extraction port
12. Lever for retracting lower guard
13. Upper guard
14. Lower guard
15. Clamping bolt
16. Clamping flange
17. Baseplate
18. Saw blade
19. Spindle lock
20. Lever for depth adjustment
21. Scale for depth adjustment
22. Parallel guide
23. Carbon brush screw

3. ASSEMBLY



Before assembly, always switch off the machine and remove the mains plug from the mains.

Replacing the saw blade (Fig. A, B)



When mounting the saw blade, wear protective gloves. Danger of injury when touching the saw blade.



Only use saw blades that correspond with the characteristic data given in the operating instructions.



Do not under any circumstances use grinding discs as the cutting tool.

For replacing the saw blade, it is best to set the depth to 0mm and set the bevel angle to 0°. Afterwards, the machine can be placed on its side, resting on the motor housing and baseplate.

Removing the saw blade

1. Press and hold the spindle lock (19) button.
2. Loosen the clamping bolt (15) using the hex key provided, turning in anti-clockwise direction.
3. Remove the clamping bolt (15) and clamping flange (16).
4. Retract the lower guard (14) by using the lever (12) and remove the saw blade.

Mounting the saw blade

1. Clean the saw blade and all clamping parts to be assembled.
2. Retract the lower guard (14) by using the lever (12) and mount the saw blade. Ensure the arrow on the saw blade corresponds with the arrow on the lower guard (14).
3. Mount the clamping flange (16). Ensure the flat sides of the clamping flange correspond with the flat sides of the blade shaft. Also make sure the convex side of the clamping flange is mounted to the outside.
4. Press and hold the spindle lock (19) button.
5. Mount the clamping bolt (15) using the hex key provided, turning in clockwise direction.

Attaching the parallel guide (Fig. D)

1. Loosen the clamping bolt for parallel guide (10)
2. Mount the parallel guide (22) onto the baseplate (17).
3. Set the desired cutting width using the scale on the parallel guide (22) and the cutting mark on the baseplate (17). The 45° cutting mark (8) indicates the position of the saw blade for 45° angled cuts. The 0° cutting mark (9) indicates the position of the saw blade for right-angled cuts.
4. Tighten the clamping bolt (10).

4. OPERATION

Switching the machine on/off (Fig. A, B)

- To start the machine, press and hold the lock-off button (3) and press the on/off switch (2).
- To stop the machine, release the on/off switch (2).

Adjusting the bevel angle (Fig. A, B)

The 0° cutting mark (9) indicates the position of the saw blade for straight cuts. The 45° cutting mark (8) indicates the position of the saw blade for 45° cuts.

1. Loosen the clamping bolt (7)
2. Adjust the baseplate (17) to the desired position (0°- 45°). The sawing angle (bevel) can be read on the scale (6).
3. Tighten the clamping bolt (7).

Adjusting the cutting depth (Fig. C)

1. Loosen cut depth clamping lever (20).
2. Move the baseplate (17) to the desired position. The sawing depth can be read on the scale (21).
3. Tighten cut depth clamping lever (20).

Optimum use

- Hold the work using clamps or a vice to have both hands free to operate the saw.
- Switch on the saw and place the bottom plate on the work.
- Slowly move the saw towards the previously drawn cutting line and slowly press the tool forward.
- Firmly press the bottom plate on the work, otherwise the circular saw may start to vibrate, causing the blade to break more easily.
- Let the saw do the job. Do not put undue pressure on the circular saw.

5. MAINTENANCE



Before cleaning and maintenance, always switch off the machine and remove the mains plug from the mains.

Clean the machine casings regularly with a soft cloth, preferably after each use. Make sure that the ventilation openings are free of dust and dirt. Remove very persistent dirt using a soft cloth moistened with soapsuds. Do not use any solvents such as gasoline, alcohol, ammonia, etc. Chemicals such as these will damage the synthetic components.

ENVIRONMENT



Faulty and/or discarded electrical or electronic apparatus have to be collected at the appropriate recycling locations.

Only for EC countries

Do not dispose of power tools into domestic waste. According to the European Guideline 2012/19/EU for Waste Electrical and Electronic Equipment and its implementation into national right, power tools that are no longer usable must be collected separately and disposed of in an environmentally friendly way.

WARRANTY

VONROC products are developed to the highest quality standards and are guaranteed free of defects in both materials and workmanship for the period lawfully stipulated starting from the date of original purchase. Should the product develop any failure during this period due to defective material and/or workmanship then contact VONROC directly.

The following circumstances are excluded from this guarantee:

- Repairs and or alterations have been made or attempted to the machine by unauthorized service centers;
- Normal wear and tear;
- The tool has been abused, misused or improperly maintained;
- Non-original spare parts have been used.

This constitutes the sole warranty made by company either expressed or implied. There are no other warranties expressed or implied which extend beyond the face hereof, herein, including the implied warranties of merchantability and fitness for a particular purpose. In no event shall VONROC be liable for any incidental or consequential damages. The dealers remedies shall be limited to repair or replacement of nonconforming units or parts.

The product and the user manual are subject to change. Specifications can be changed without further notice.

1. SICHERHEITSANWEISUNGEN

Lesen Sie die beiliegenden Sicherheitsanweisungen, die zusätzlichen Sicherheitsanweisungen sowie diese Bedienungsanleitung sorgfältig durch. Bei Nichtbeachten der Sicherheitsanweisungen und der Bedienungsanleitung kann es zu einem Stromschlag, einem Brand und/oder schweren Verletzungen kommen. Bewahren Sie die Sicherheitsanweisungen und die Bedienungsanleitung zur künftigen Bezugnahme sicher auf.

Folgende Symbole werden im Benutzerhandbuch oder auf dem Produkt verwendet:



Benutzerhandbuch/Bedienungsanleitung lesen.



Lebens- und Verletzungsgefahr und Gefahr von Beschädigungen am Werkzeug/Gerät bei Nichteinhaltung der Anweisungen in dieser Bedienungsanleitung.



Gefahr eines Stromschlags.



Ziehen Sie sofort den Netzstecker aus der Steckdose, falls das Netzkabel beschädigt wird sowie bei der Reinigung und Wartung.



Werkzeug/Gerät der Schutzklasse II - schutzisoliert - kein Schutzkontaktanschluss erforderlich.



Halten Sie Zuschauer fern.



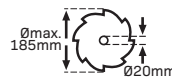
Augenschutz tragen.



Ohrenschützer tragen.



Tragen Sie eine Staubschutzmaske.



Beachten Sie die Abmessungen des Sägeblatts. Der Lochdurchmesser muss ohne Spiel zur Werkzeugspindel passen. Falls eine Verwendung von Reduzierstücken notwendig ist, achten Sie darauf, dass die Abmessungen des Reduzierstücks zur

Stamtblattdicke und zum Lochdurchmesser des Sägeblatts sowie zum Durchmesser der Werkzeugspindel passen. Verwenden Sie möglichst die mit dem Sägeblatt mitgelieferten Reduzierstücke. Der Sägeblattdurchmesser muss der Angabe auf dem Symbol entsprechen.



Gefahrenbereich! Halten Sie die Hände (10 cm) vom Schnittbereich entfernt während die Maschine in Betrieb ist. Verletzungsgefahr, wenn man in Kontakt mit dem Sägeblatt gerät.



Entsorgen Sie das Produkt nicht in hierfür nicht vorgesehenen Abfallbehältern.



Das Produkt entspricht den geltenden Sicherheitsnormen der europäischen Richtlinien.

ALLGEMEINE SICHERHEITSHINWEISE



ACHTUNG! Lesen Sie alle Sicherheitshinweise und Anweisungen. Fehler bei der Einhaltung der nachstehend aufgeführten Anweisungen können elektrischen Schlag, Brand und/oder schwere Verletzungen verursachen.

Bewahren Sie diese Anweisungen gut auf.

Der nachfolgend verwendete Begriff „Elektrowerkzeug“ bezieht sich auf netzbetriebene Elektrowerkzeuge (mit Netzkabel) und auf akkubetriebene Elektrowerkzeuge (ohne Netzkabel).

1) Arbeitsplatz

- a) **Halten Sie Ihren Arbeitsbereich sauber und aufgeräumt.** Unordnung und unbeleuchtete Arbeitsbereiche können zu Unfällen führen.
- b) **Arbeiten Sie mit dem Gerät nicht in explosionsgefährdeter Umgebung, in der sich brennbare Flüssigkeiten, Gase oder Staub befinden.** Elektrowerkzeuge erzeugen Funken, die den Staub oder die Dämpfe entzünden können.
- c) **Halten Sie Kinder und andere Personen während der Benutzung des Elektrowerkzeugs fern.** Bei Ablenkung können Sie die Kontrolle über das Gerät verlieren.

2) Elektrische Sicherheit

- a) **Der Anschlussstecker des Gerätes muss in die Steckdose passen. Der Netzstecker darf in keener Weise verändert werden. Verwenden Sie keine Adapterstecker gemeinsam mit geschützten Geräten.** Unveränderte Netzstecker und passende Steckdosen verringern das Risiko eines elektrischen Schlages.
- b) **Vermeiden Sie Körperkontakt mit geerdeten Oberflächen, wie von Rohren, Heizungen, Herden und Kühlschränken.** Es besteht ein erhöhtes Risiko durch elektrischen Schlag, wenn Ihr Körper geerdet ist.
- c) **Halten Sie das Gerät von Regen oder Nässe fern.** Das Eindringen von Wasser in ein Elektrogerät erhöht das Risiko eines elektrischen Schlages.
- d) **Zweckentfremden Sie das Netzkabel nicht, um das Gerät zu tragen, aufzuhängen oder um den Netzstecker aus der Steckdose zu ziehen. Halten Sie das Netzkabel fern von Hitze, Öl, scharfen Kanten oder sich bewegenden Geräteteilen.** Beschädigte oder verwickelte Netzkabel erhöhen das Risiko eines elektrischen Schlages.
- e) **Wenn Sie mit einem Elektrowerkzeug im Freien arbeiten, verwenden Sie nur Verlängerungskabel, die auch für den Außenbereich zugelassen sind.** Die Anwendung eines für den Außenbereich geeigneten Verlängerungskabels verringert das Risiko eines elektrischen Schlages
- f) **Wenn sich Arbeiten mit einem Elektrowerkzeug in feuchten Umgebungen nicht vermeiden lassen, verwenden Sie eine Stromversorgung mit einer Fehlerstrom-Schutzeinrichtung (RCD).** Durch die Verwendung einer RCD wird die Gefahr eines elektrischen Schlags verringert.

3) Sicherheit von Personen

- a) **Seien Sie aufmerksam. Achten Sie darauf, was Sie tun, und gehen Sie mit Vernunft an die Arbeit mit einem Elektrowerkzeug. Benutzen Sie das Gerät nicht, wenn Sie müde sind oder unter dem Einfluss von Drogen, Alkohol oder Medikamenten stehen.** Ein Moment der Unachtsamkeit beim Gebrauch des Gerätes kann zu ernsthaften Verletzungen führen.
- b) **Tragen Sie persönliche Schutzausrüstung und immer eine Schutzbrille.** Das Tragen persönlicher Schutzausrüstung, wie Staubmaske, rutschfeste Sicherheitsschuhe, Schutzhelm oder Gehörschutz, je nach Art und Einsatz des Elektrowerkzeuges, verringert das Risiko von Verletzungen.

- c) **Vermeiden Sie eine unbeabsichtigte Inbetriebnahme. Vergewissern Sie sich, dass der Schalter in der Position „AUS(0)“ ist, bevor Sie den Netzstecker in die Steckdose stecken.** Wenn Sie beim Tragen des Geräts den Finger am Schalter haben oder das Gerät eingeschaltet an die Stromversorgung anschließen, kann dies zu Unfällen führen.
 - d) **Entfernen Sie Einstellwerkzeuge oder Schraubenschlüssel, bevor Sie das Gerät einschalten.** Ein Werkzeug oder Schlüssel, der sich in einem drehenden Geräteteil befindet, kann zu Verletzungen führen.
 - e) **Überschätzen Sie sich nicht. Sorgen Sie für einen sicheren Stand und halten Sie jederzeit das Gleichgewicht.** Dadurch können Sie das Gerät in unerwarteten Situationen besser kontrollieren.
 - f) **Tragen Sie geeignete Kleidung. Tragen Sie keine weite Kleidung oder Schmuck. Halten Sie Haare, Kleidung und Handschuhe fern von sich bewegenden Teilen.** Lockere Kleidung, Schmuck oder lange Haare können von sich bewegenden Teilen erfasst werden.
 - g) **Wenn Staubabsaug- und -auffangeinrichtungen montiert werden können, vergewissern Sie sich, dass diese angeschlossen sind und richtig verwendet werden.** Das Verwenden dieser Einrichtungen verringert Gefährdungen durch Staub.
 - h) **Achten Sie darauf, nicht durch häufigen Gebrauch von Werkzeugen nachlässig zu werden und die Prinzipien zum sicheren Umgang mit den Werkzeugen zu ignorieren.** Eine unachtsame Handlung kann innerhalb von Sekundenbruchteilen schwere Verletzungen verursachen.
- 4) Sorgfältiger Umgang und Gebrauch von Elektrowerkzeugen**
- a) **Überlasten Sie das Gerät nicht. Verwenden Sie für Ihre Arbeit das dafür bestimmte Elektrowerkzeug.** Mit dem passenden Elektrowerkzeug arbeiten Sie besser und sicherer im angegebenen Leistungsbereich.
 - b) **Benutzen Sie kein Elektrowerkzeug, dessen Schalter defekt ist.** Ein Elektrowerkzeug, das sich nicht mehr ein- oder ausschalten lässt, ist gefährlich und muss repariert werden.
 - c) **Ziehen Sie den Netzstecker aus der Steckdose, bevor Sie Geräteeinstellungen vornehmen, Zubehörteile wechseln oder das Gerät weglegen.** Diese Vorsichtsmaßnahme verhindert den unbeabsichtigten Start des Geräts.
 - d) **Bewahren Sie unbenutzte Elektrowerkzeuge außerhalb der Reichweite von Kindern auf. Lassen Sie Personen das Gerät nicht benutzen, die mit diesem nicht vertraut sind oder diese Anweisungen nicht gelesen haben.** Elektrowerkzeuge sind gefährlich, wenn Sie von unerfahrenen Personen benutzt werden.
 - e) **Pflegen Sie das Gerät mit Sorgfalt. Kontrollieren Sie, ob bewegliche Geräteteile einwandfrei funktionieren und nicht klemmen, ob Teile gebrochen oder so beschädigt sind, dass die Funktion des Gerätes beeinträchtigt ist. Lassen Sie beschädigte Teile vor dem Einsatz des Gerätes reparieren.** Viele Unfälle haben ihre Ursache in schlecht gewarteten Elektrowerkzeugen.
 - f) **Halten Sie Schneidwerkzeuge scharf und sauber.** Sorgfältig gepflegte Schneidwerkzeuge mit scharfen Schneidkanten verklemmen sich weniger und sind leichter zu führen.
 - g) **Verwenden Sie Elektrowerkzeug, Zubehör, Einsatzwerkzeuge usw. entsprechend diesen Anweisungen und so, wie es für diesen speziellen Gerätetyp vorgeschrieben ist. Berücksichtigen Sie dabei die Arbeitsbedingungen und die auszuführende Tätigkeit.** Der Gebrauch von Elektrowerkzeugen für andere als die vorgesehenen Anwendungen kann zu gefährlichen Situationen führen.
 - h) **Halten Sie Griffe und Greifflächen immer trocken, sauber und frei von Öl und Fett.** Rutschige Griffe und Greifflächen verhindern in unerwarteten Situationen den sicheren Umgang mit dem Werkzeug und die richtige Kontrolle darüber.
- 5) Umgang mit Akkuwerkzeugen**
- a) **Zum Laden ist ausschließlich das vom Hersteller angegebene Ladegerät zu verwenden.** Ein Ladegerät, das für eine Art von Akkus geeignet ist, kann bei Verwendung mit einer anderen Art von Akku Brandgefahr verursachen.
 - b) **Elektrowerkzeuge dürfen nur mit speziell dazu bestimmten Akkus verwendet werden,** da bei der Verwendung anderer Akkus Verletzungs- und Brandgefahr entstehen kann.
 - c) **Wenn der Akku nicht in Gebrauch ist, ist er von Büroklammern, Münzen, Schlüsseln, Nägeln, Schrauben und anderen kleinen Metallobjekten fernzuhalten, die eine Verbindung zwischen den Polen bilden können.** Kurzschließen der Pole kann Brand oder Verbrennungen verursachen.
 - d) **Bei falschem Umgang mit dem Akku kann Flüssigkeit aus dem Akku austreten. Die**

- Berührung dieser Flüssigkeit ist zu vermeiden. Bei Berührung den betroffenen Körperteil mit Wasser abspülen. Bei Berührung der Flüssigkeit mit den Augen muss zusätzlich ärztliche Hilfe gerufen werden.** Die Akkuflüssigkeit kann Reizungen oder Verbrennungen verursachen.
- e) **Verwenden Sie keinesfalls Akkus und Werkzeuge, die beschädigt oder verändert wurden.** Beschädigte oder veränderte Akkus können ein unvorhersehbares Verhalten zeigen, das zu Feuer, Explosionen oder Verletzungsgefahren führt.
- f) **Setzen Sie Akkus oder Werkzeuge keinem Feuer oder übermäßigen Temperaturen aus.** Feuer oder Temperaturen über 130 °C können zu Explosionen führen. HINWEIS: Die Temperaturangabe „130 °C“ kann durch die Temperaturangabe „265 °F“ ersetzt werden.
- g) **Beachten Sie alle Hinweise zum Aufladen und laden Sie Akkus oder Werkzeuge nicht außerhalb der in der Anleitung angegebenen Temperaturbereiche auf.** Unsachgemäßes Aufladen oder Aufladen bei Temperaturen außerhalb des angegebenen Bereichs kann den Akku schädigen und die Brandgefahr erhöhen.
- 6) Service**
- a) **Lassen Sie Ihre Werkzeuge durch einen qualifizierten Reparaturtechniker ausschließlich mit identischen Ersatzteilen warten.** So lässt sich eine gleich bleibende Sicherheit des Elektrowerkzeugs gewährleisten.
- b) **Beschädigte Akkus dürfen keinesfalls gewartet werden.** Die Wartung von Akkus darf nur vom Hersteller oder von Vertragswerkstätten durchgeführt werden.

SICHERHEITSHINWEISE FÜR KREISSÄGEN Sägeverfahren

- **GEFAHR: Kommen Sie mit Ihren Händen nicht in den Sägebereich und an das Sägeblatt.** Halten Sie mit Ihrer zweiten Hand den Zusatzgriff oder das Motorgehäuse. Wenn beide Hände die Säge halten, können diese vom Sägeblatt nicht verletzt werden.
- **Greifen Sie nicht unter das Werkstück.** Die Schutzhaube kann Sie unter dem Werkstück nicht vor dem Sägeblatt schützen.
- **Passen Sie die Schnitttiefe an die Dicke des Werkstücks an.** Es sollte weniger als eine volle Zahnhöhe unter dem Werkstück sichtbar sein.
- **Halten Sie das Werkstück beim Schneiden niemals in den Händen oder über dem Bein.** Sichern Sie das Werkstück auf einer stabilen Plattform. Es ist wichtig, die Arbeit richtig zu unterstützen, um die Exposition des Körpers, das Binden der Klingen oder den Kontrollverlust zu minimieren.
- **Fassen Sie das Elektrowerkzeug nur an den isolierten Griffflächen an, wenn Sie Arbeiten ausführen, bei denen das Einsatzwerkzeug verborgene Stromleitungen treffen kann.** Kontakt mit einer spannungsführenden Leitung setzt auch die Metallteile des Elektrowerkzeugs unter Spannung und führt zu einem elektrischen Schlag.
- **Verwenden Sie beim Längsschneiden immer einen Anschlag oder eine gerade Kantenführung.** Dies verbessert die Schnittgenauigkeit und verringert die Möglichkeit, dass das Sägeblatt klemmt.
- **Verwenden Sie immer Sägeblätter in der richtigen Größe und mit passender Aufnahmebohrung (z. B. rautenförmig oder rund).** Sägeblätter, die nicht zu den Montageteilen der Säge passen, laufen unrund und führen zum Verlust der Kontrolle.
- **Verwenden Sie niemals beschädigte oder falsche Sägeblatt-Unterlegscheiben oder -Schrauben.** Die Sägeblatt-Unterlegscheiben und -Schrauben wurden speziell für Ihre Säge konstruiert, für optimale Leistung und Betriebssicherheit.

Rückschlag Ursachen und entsprechende Sicherheitshinweise

- Ein Rückschlag ist die plötzliche Reaktion infolge eines hakenden, klemmenden oder falsch ausgerichteten Sägeblattes, die dazu führt, dass eine unkontrollierte Säge abhebt und sich aus dem Werkstück heraus in Richtung der Bedienperson bewegt.
- Wenn sich das Sägeblatt in dem sich schließenden Sägespalt verhakt oder verklemmt, blockiert es, und die Motorkraft schlägt die Säge in Richtung der Bedienperson zurück.
- Wird das Sägeblatt im Sägeschnitt verdreht oder falsch ausgerichtet, können sich die Zähne der hinteren Sägeblattkante in der Oberfläche des Werkstücks verhaken, wodurch sich das Sägeblatt aus dem Sägespalt herausbewegt und die Säge in Richtung der Bedienperson zurückspringt.
- **Ein Rückschlag ist die Folge eines falschen oder fehlerhaften Gebrauchs der Säge.** Er kann durch

geeignete Vorsichtsmaßnahmen, wie nachfolgend beschrieben, verhindert werden.

- **Halten Sie die Säge mit beiden Händen fest und bringen.** Sie Ihre Arme in eine Stellung, in der Sie die Rückschlagkräfte abfangen können. Halten Sie sich immer seitlich des Sägeblattes, nie das Sägeblatt in eine Linie mit Ihrem Körper bringen. Bei einem Rückschlag kann die Säge rückwärts springen, jedoch kann die Bedienperson durch geeignete Vorsichtsmaßnahmen die Rückschlagkräfte beherrschen.
- **Falls das Sägeblatt verklemmt oder Sie die Arbeit unterbrechen, schalten Sie die Säge aus und halten Sie sie im Werkstoff ruhig, bis das Sägeblatt zum Stillstand gekommen ist.** Versuchen Sie nie, die Säge aus dem Werkstück zu entfernen oder sie rückwärts zu ziehen, solange das Sägeblatt sich bewegt, sonst kann ein Rückschlag erfolgen. Ermitteln und beheben Sie die Ursache für das Verklemmen des Sägeblattes.
- Wenn Sie eine Säge, die im Werkstück steckt, wieder starten wollen, zentrieren Sie das Sägeblatt im Sägespalt und überprüfen Sie, ob die Sägezähne nicht im Werkstück verhakt sind. Klemmt das Sägeblatt, kann es sich aus dem Werkstück herausbewegen oder einen Rückschlag verursachen, wenn die Säge erneut gestartet wird.
- **Stützen Sie große Platten ab, um das Risiko eines Rückschlags durch ein klemmendes Sägeblatt zu vermindern.** Große Platten können sich unter ihrem Eigengewicht durchbiegen. Platten müssen auf beiden Seiten abgestützt werden, sowohl in Nähe des Sägespalts als auch an der Kante.
- **Verwenden Sie keine stumpfen oder beschädigten Sägeblätter.** Sägeblätter mit stumpfen oder falsch ausgerichteten Zähnen verursachen durch einen zu engen Sägespalt eine erhöhte Reibung, Klemmen des Sägeblattes und Rückschlag.
- **Ziehen Sie vor dem Sägen die Schnitttiefen- und Schnittwinklereinstellungen fest.** Wenn sich während des Sägens die Einstellungen verändern, kann sich das Sägeblatt verklemmen und ein Rückschlag auftreten.
- **Seien Sie besonders vorsichtig beim Sägen in bestehende Wände oder andere nicht einsehbare Bereiche.** Das eintauchende Sägeblatt kann beim Sägen in verborgene Objekte blockieren und einen Rückschlag verursachen.

Funktion der unteren Schutzhaube

- **Überprüfen Sie vor jeder Benutzung, ob die untere Schutzhaube einwandfrei schließt.** Verwenden Sie die Säge nicht, wenn die untere Schutzhaube nicht frei beweglich ist und sich nicht sofort schließt. Klemmen oder binden Sie die untere Schutzhaube niemals in geöffneter Position fest. Sollte die Säge unbeabsichtigt zu Boden fallen, kann die untere Schutzhaube verbogen werden. Öffnen Sie die Schutzhaube mit dem Rückziehhelb und stellen Sie sicher, dass sie sich frei bewegt und bei allen Schnittwinkeln und -tiefen weder das Sägeblatt noch andere Teile berührt.
- **Überprüfen Sie die Funktion der Feder für die untere Schutzhaube.** Lassen Sie die Säge vor dem Gebrauch warten, wenn untere Schutzhaube und Feder nicht einwandfrei arbeiten. Beschädigte Teile, klebrige Ablagerungen oder Anhäufungen von Spänen lassen die untere Schutzhaube verzögert arbeiten.
- **Öffnen Sie die untere Schutzhaube von Hand nur bei besonderen Schnitten, wie „Tauch- und Winkelschnitten“.** Öffnen Sie die untere Schutzhaube mit dem Rückziehhelb und lassen Sie diesen los, sobald das Sägeblatt in das Werkstück eintaucht. Bei allen anderen Sägearbeiten soll die untere Schutzhaube automatisch arbeiten.
- **Legen Sie die Säge nicht auf der Werkbank oder dem Boden ab, ohne dass die untere Schutzhaube das Sägeblatt bedeckt.** Ein ungeschütztes, nachlaufendes Sägeblatt bewegt die Säge entgegen der Schnittrichtung und sägt, was ihm im Weg ist. Beachten Sie dabei die Nachlaufzeit der Säge.

ZUSÄTZLICHE SICHERHEITSHINWEISE

- **Greifen Sie nicht mit den Händen in den Spanauswurf.** Sie können sich an rotierenden Teilen verletzen.
- **Arbeiten Sie mit der Säge nicht über Kopf.** Sie haben so keine ausreichende Kontrolle über das Elektrowerkzeug.
- **Verwenden Sie geeignete Suchgeräte, um verborgene Versorgungsleitungen aufzuspüren, oder ziehen Sie die örtliche Versorgungsgesellschaft hinzu.** Kontakt mit Elektroleitungen kann zu Feuer und elektrischem Schlag führen. Beschädigung einer Gasleitung kann zur Explosion führen. Eindringen in eine Wasserleitung verursacht Sachbeschädigung.

- **Betreiben Sie das Elektrowerkzeug nicht stationär.** Es ist für einen Betrieb mit Säge Tisch nicht ausgelegt.
- **Verwenden Sie keine Sägeblätter aus HSS-Stahl.** Solche Sägeblätter können leicht brechen.
- **Sägen Sie keine Eisenmetalle.** Glühende Späne können die Staubabsaugung entzünden.
- **Halten Sie das Elektrowerkzeug beim Arbeiten fest mit beiden Händen und sorgen Sie für einen sicheren Stand.** Das Elektrowerkzeug wird mit zwei Händen sicherer geführt.
- **Sichern Sie das Werkstück.** Ein mit Spannvorrichtungen oder Schraubstock festgehaltenes Werkstück ist sicherer gehalten als mit Ihrer Hand.
- **Warten Sie, bis das Elektrowerkzeug zum Stillstand gekommen ist, bevor Sie es ablegen.** Das Einsatzwerkzeug kann sich verhaken und zum Verlust der Kontrolle über das Elektrowerkzeug führen.
- **Kreissägen sind zum Schneiden von Holz oder holzartigen Produkten vorgesehen, sie können nicht zum Schneiden von Eisenwerkstoffen wie Stäben, Stangen, Schrauben usw. verwendet werden.** Abrasiver Staub führt zum Blockieren von beweglichen Teilen wie der unteren Schutzhaube. Schneidfunken verbrennen die untere Schutzhaube, die Einlegeplatte und andere Kunststoffteile.
- **Verwenden Sie nur Sägeblätter, deren Geschwindigkeit größer oder gleich der auf der Maschine angegebenen Geschwindigkeit ist.**
- **Verwenden Sie nur Sägeblätter, die den Angaben in dieser Betriebsanleitung entsprechen und nach EN 847-1 geprüft und gekennzeichnet wurden.**

2. ANGABEN ZUM WERKZEUG

Verwendungszweck

Diese Kreissäge ist für Längs-, Quer- und Gehrungsschnitte in Holz bestimmt, während die Basisplatte fest auf dem Werkstück aufliegt. Das Sägen von Kunststoffen oder Metallen ist nicht zulässig. Das Elektrowerkzeug mit dem montierten Sägeblatt verfügt über ausreichende Kapazität zum Sägen von Hart- und Nadelholz sowie von Spanund Faserplatten. Das Sägeblatt ist nicht zum Sägen von Brennholz ausgelegt. Verwenden Sie die Säge nicht, um andere als die in dieser Anleitung genannten Materialien zu schneiden.

Modellnummer	CS502AC
Spannung	230-240 V~
Frequenz	50 Hz
Aufnahmeleistung	1200 W
Drehzahl unbelastet	5500/min
Sägeblattgröße	Ø185x Ø20x2.4mm
Max. Sägetiefe 0°	65mm
Max. Sägetiefe 45°	43mm
IP Klasse	IP20
Gewicht	3.47 kg
Schalldruckpegel LPA	92.8 dB(A), K=3dB(A)
Schalleistungspegel LWA	103.8 dB(A), K=3dB(A)
Schwingung	3.201 m/s ² K=1.5 m/s ²

Vibrationsintensität

Die in dieser Bedienungsanleitung angegebene Vibrationsintensität wurde mit einem standardisierten Test gemäß EN 62841; gemessen. Anhand dieser Größe können Werkzeuge miteinander verglichen werden. Außerdem eignet sich diese Größe für eine erste Beurteilung der Vibrationsbelastung bei Verwendung des Werkzeugs für die angegebenen Anwendungszwecke.

- Bei Verwendung des Werkzeugs für andere Anwendungen oder mit anderem oder unzureichend gewartetem Zubehör kann sich die Vibrationsbelastung erheblich erhöhen.
- Wenn das Werkzeug ausgeschaltet ist, oder wenn es eingeschaltet ist, jedoch nicht genutzt wird, kann sich die Vibrationsbelastung erheblich verringern.

Schützen Sie sich vor den Auswirkungen der Vibration durch Wartung des Werkzeugs und des Zubehörs, halten Sie Ihre Hände warm, und organisieren Sie Ihren Arbeitsablauf.

BESCHREIBUNG

Die Buchstaben und Ziffern im folgenden Text weisen auf die Abbildungen auf den Seiten 2 bis 3.

1. Handgriff
2. Ein-/Ausschalter
3. Lock-Off-Taste
4. Netzkabel

5. Zusatzgriff
6. Skala für Gehrungswinkel
7. Klemmschraube für Gehrungswinkel
8. Schnittmarke, 45°
9. Schnittmarke, 0°
10. Klemmschraube für Parallelführung
11. Staubabsauganschluss
12. Hebel zum Zurückziehen der unteren Schutzvorrichtung
13. Obere Schutzvorrichtung
14. Untere Schutzvorrichtung
15. Klemmschraube
16. Klemmflansch
17. Basisplatte
18. Sägeblatt
19. Spindelverriegelung
20. Hebel zur Tiefeneinstellung
21. Skala zur Tiefeneinstellung
22. Parallelführung
23. Kohlebürstenschraube

3. MONTAGE



Schalten Sie die Maschine vor der Montage aus und ziehen Sie den Netzstecker aus der Steckdose.

Wechseln des Sägeblatts (Abb. A, B)



Tragen Sie beim Anbringen des Sägeblatts Schutzhandschuhe. Verletzungsgefahr beim Berühren des Sägeblattes.



Verwenden Sie nur Sägeblätter, die den Kenndaten in der Betriebsanleitung entsprechen.



Verwenden Sie auf keinen Fall Schleifscheiben als Schneidwerkzeug.

Zum Wechseln des Sägeblatts ist es am besten, die Tiefe auf 0 mm und den Gehrungswinkel auf 0° einzustellen. Danach kann die Maschine auf die Seite gelegt werden und auf dem Motorgehäuse und der Basisplatte ruhen.

Abnehmen des Sägeblatts

1. Halten Sie den Knopf für die Spindelverriegelung (19) gedrückt.
2. Lösen Sie die Klemmschraube (15), indem Sie den mitgelieferten Inbusschlüssel gegen den Uhrzeigersinn drehen.
3. Entfernen Sie Klemmschraube (15) und Klemmflansch (16).
4. Ziehen Sie die untere Schutzvorrichtung (14) mit dem Hebel (12) zurück und entfernen Sie das Sägeblatt.

Anbringen des Sägeblatts

1. Säubern Sie das Sägeblatt und alle zu montierenden Teile.
2. Ziehen Sie die untere Schutzvorrichtung (14) mit dem Hebel (12) zurück und bringen Sie das Sägeblatt an. Stellen Sie sicher, dass der Pfeil auf dem Sägeblatt mit dem Pfeil auf der unteren Schutzvorrichtung (14) übereinstimmt.
3. Montieren Sie den Klemmflansch (16). Stellen Sie sicher, dass die flachen Seiten des Klemmflansches mit den flachen Seiten der Sägeblattwelle übereinstimmen. Stellen Sie außerdem sicher, dass der Klemmflansch mit der konvexen Seite nach außen montiert ist.
4. Halten Sie den Knopf für die Spindelverriegelung (19) gedrückt.
5. Bringen Sie die Klemmschraube (15) an, indem Sie den mitgelieferten Inbusschlüssel im Uhrzeigersinn drehen.

Anbringen der Parallelführung (Abb. D)

1. Lösen Sie die Klemmschraube für die Parallelführung (10).
2. Montieren Sie die Parallelführung (22) an der Basisplatte (17).
3. Stellen Sie mit der Skala auf der Parallelführung (22) und der Schnittmarke auf der Basisplatte (17) die gewünschte Schnittbreite ein. Die 45°-Schnittmarke (8) zeigt die Position des Sägeblatts für Schnitte mit einem 45°-Winkel an. Die 0°-Schnittmarke (9) zeigt die Position des Sägeblatts für rechtwinklige Schnitte an.
4. Ziehen Sie die Klemmschraube (10) fest.

4. BETRIEB

Ein-/Ausschalten der Maschine (Abb. A,B)

- Um die Maschine zu starten, halten Sie die Lock-Off-Taste (3) gedrückt und drücken den Ein-/Ausschalter (2).
- Um die Maschine anzuhalten, lassen Sie den Ein-/Ausschalter (2) los.

Einstellen des Gehrungswinkel (Abb. A, B)

Die 0° Schnittmarke (9) zeigt die Position des

Sägeblatts für gerade Schnitte an. Die 45 ° Schnittmarke (8) zeigt die Position des Sägeblatts für 45 ° Schnitte an.

1. Lösen Sie die Klemmschraube (7).
2. Stellen Sie die Basisplatte (17) auf die gewünschte Position (0 ° - 45 °). Der Sägewinkel (Gehrungswinkel) kann auf der Skala (6) abgelesen werden.
3. Und ziehen Sie die Klemmschraube (7) fest.

Einstellen der Schnitttiefe (Abb. C)

1. Hebel zur Tiefeineinstellung (20) lösen.
2. Bewegen Sie Grundplatte (17) in die gewünschte Position. Die Sägetiefe kann auf der Skala (21) abgelesen werden.
3. Ziehen Sie Hebel zur Tiefeineinstellung (20) fest.

Optimale Nutzung

- Klemmen Sie das Werkstück fest, damit Sie beide Hände zum Festhalten und zur Bedienung der Kreissäge frei haben.
- Schalten Sie die Kreissäge ein und setzen Sie die Bodenplatte auf das Werkstück.
- Bewegen Sie die Säge langsam auf der vorher eingezeichneten Sägekante und drücken Sie die Stichsäge langsam nach vorn.
- Drücken Sie die Bodenplatte fest auf das Werkstück. Tun Sie dies nicht, dann kann die Kreissäge vibrieren und das Sägeblatt schnell brechen.
- Überlassen Sie der Säge die Arbeit. Drücken Sie nicht zu fest auf die Kreissäge.

5. WARTUNG



Trennen Sie die Maschine vom Netz, wenn Sie am Mechanismus Wartungsarbeiten ausführen müssen.

Reinigen Sie das Werkzeuggehäuse regelmäßig mit einem weichen Lappen, vorzugsweise nach jeder Verwendung. Stellen Sie sicher, dass die Lüftungsöffnungen frei von Staub und Schmutz sind. Entfernen Sie anhaftenden Schmutz mit einem weichen Lappen, der leicht mit Seifenwasser befeuchtet wurde. Verwenden Sie keine Lösungsmittel wie Benzin, Alkohol, Ammoniak usw., da Chemikalien dieser Art die Kunststoffteile beschädigen.

UMWELTSCHUTZ



Schadhafte und/oder zu entsorgende elektrische oder elektronische Werkzeuge und Geräte müssen an den dafür vorgesehenen Recycling-Stellen abgegeben werden.

Nur für EG-Länder

Entsorgen Sie Elektrowerkzeuge nicht über den Hausmüll. Entsprechend der EU-Richtlinie 2012/19/EG über Elektro- und Elektronik-Altgeräte sowie der Umsetzung in nationales Recht müssen Elektrowerkzeuge, die nicht mehr im Gebrauch sind, getrennt gesammelt und umweltschonend entsorgt werden.

GARANTIE

VONROC-Produkte werden nach den höchsten Qualitätsstandards entwickelt und sind für den gesetzlich festgelegten Zeitraum, ausgehend von dem ursprünglichen Kaufdatum, garantiert frei von Fehlern in Material und Ausführung. Sollte das Produkt in diesem Zeitraum aufgrund von Material- und/oder Verarbeitungsmängeln Fehler aufweisen, wenden Sie sich bitte direkt an VONROC Kundendienst.

Folgende Umstände sind von der Garantie ausgeschlossen:

- Reparaturen und oder Änderungen an der Maschine, die durch nicht-autorisierte Servicetechniken vorgenommen oder versucht wurden.
- Normale Abnutzung und Verschleiß.
- Das Werkzeug wurde übermäßig beansprucht, missbräuchlich verwendet oder falsch gewartet.
- Es wurden keine Original-Ersatzteile verwendet.

Dies stellt die einzige Gewährleistung des Unternehmens dar, sowohl ausdrücklich als auch implizit. Es gibt keine anderen ausdrücklichen oder stillschweigenden Garantien, die über das hier Genannte hinausgehen, einschließlich der stillschweigenden Garantien der Marktgängigkeit oder Eignung für einen bestimmten Zweck. In keinem Fall ist VONROC haftbar für Neben- oder Folgeschäden. Die Rechtsmittel des Händlers beschränken sich auf Reparatur oder Ersatz fehlerhafter Einheiten oder Teile.

Am Produkt und am Benutzerhandbuch können Änderungen vorgenommen werden. Die technischen Daten können sich ohne Vorankündigung ändern.

1. VEILIGHEIDSVOORSCHRIFTEN

Lees de bijgesloten veiligheidswaarschuwingen, de aanvullende veiligheidswaarschuwingen en de instructies. Het niet opvolgen van de veiligheidswaarschuwingen kan elektrische schokken, brand en/of ernstig letsel tot gevolg hebben. Bewaar de veiligheidswaarschuwingen en instructies als naslagwerk voor later.

De volgende symbolen worden gebruikt in de gebruikershandleiding of op het product:



Lees de gebruikershandleiding.



Gevaar voor lichamelijk letsel, overlijden of schade aan de machine wanneer de instructies in deze handleiding niet worden opgevolgd.



Gevaar voor elektrische schokken.



Verwijder onmiddellijk de netstekker uit het stopcontact indien het netsnoer beschadigd raakt en tijdens reiniging en onderhoud.



Klasse II apparaat - Dubbel geïsoleerd - Een geaarde stekker is niet noodzakelijk.



Houd omstanders op afstand.



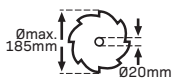
Draag oogbescherming.



Draag gehoorbescherming.



Draag een stofmasker.



Let op de afmetingen van het zaagblad. De gatdiameter moet zonder speling op de uitgaande as passen. Indien het gebruik van reduceerstukken nodig is, dient u erop te letten dat de afmetingen van het reduceerstuk passen bij de zaagbladdikte en bij de gatdiameter van het zaagblad evenals bij de diameter van de uitgaande as. Gebruik indien

mogelijk de met het zaagblad meegeleverde reduceerstukken. De zaagbladdiameter moet overeenkomen met de informatie op het symbool.



Gevaarlijk gebied! Houd uw handen (10cm) van het zaaggebied verwijderd.



Werp het product niet weg in ongeschikte containers.



Het product is in overeenstemming met de van toepassing zijnde veiligheidsnormen in de Europese richtlijnen.

ALGEMENE VEILIGHEIDSVOORSCHRIFTEN



WAARSCHUWING! Lees alle veiligheids- waarschuwingen en alle instructies.

Het niet opvolgen van onderstaande instructies kan leiden tot een elektrische schok, brand en/of ernstig persoonlijk letsel.

Bewaar deze instructies goed.

De term "elektrisch gereedschap" in onderstaande waarschuwingen heeft betrekking op zowel apparatuur met een vaste elektriciteitskabel als op apparatuur met een accu (draadloze apparatuur).

1) Werkgebied

- Zorg voor een opgeruimde en goed verlichte werkomgeving.** Rommelige en donkere werkomgevingen leiden tot ongelukken.
- Gebruik elektrisch gereedschap nooit in een omgeving waar explosiegevaar bestaat, zoals in de nabijheid van ontvlambare vloeistoffen, gassen, dampen of andere stoffen.** Elektrische gereedschappen kunnen vonken veroorzaken, die deze stoffen tot ontbranding kunnen brengen.
- Wanneer u elektrisch gereedschap gebruikt, houd dan kinderen en omstanders op afstand.** Wanneer u wordt afgeleid, kunt u de controle over het gereedschap verliezen.

2) Elektrische veiligheid

- Stekkers van elektrische gereedschappen moeten probleemloos passen op het stopcontact. Breng nooit wijzigingen aan in of aan de stekker. Gebruik geen adapters voor geaarde elektrische gereedschappen.** Standaardstekkers en passende stopcontacten verkleinen de

- kans op een elektrische schok.
- b) **Voorkom lichamelijk contact met geaarde oppervlakken van bijvoorbeeld pijpen, leidingen, radiatoren, fornuizen en koelkasten.** Wanneer uw lichaam geaard is, wordt de kans op een elektrische schok groter.
 - c) **Stel elektrische gereedschappen nooit bloot aan regen of vocht.** Wanneer er water binnendringt in een elektrisch gereedschap, wordt de kans op een elektrische schok groter.
 - d) **Gebruik het snoer niet om het elektrisch gereedschap te dragen, te verplaatsen of de stekker uit het stopcontact te trekken. Bescherm het snoer tegen olie, warmte, scherpe randen en bewegende delen.** Beschadigde of vastzittende snoeren vergroten de kans op een elektrische schok.
 - e) **Wanneer u elektrische gereedschappen buiten gebruikt, gebruik dan een verlengkabel die geschikt is voor buitengebruik.** Door een kabel te gebruiken die geschikt is voor buitengebruik, wordt de kans op een elektrische schok kleiner.
 - f) **Gebruik een aardlekbeveiliging (RCD) als niet te voorkomen is dat een powertool moet worden gebruikt in een vochtige omgeving.** Gebruik van een RCD vermindert het risico van elektrische schokken.
- 3) Persoonlijke veiligheid**
- a) **Blijf altijd alert, kijk goed wat u doet en gebruik uw gezonde verstand wanneer u een elektrisch gereedschap gebruikt. Gebruik geen elektrische gereedschappen wanneer u moe bent, of drugs, alcohol of medicijnen hebt gebruikt.** Eén moment van onachtzaamheid bij het gebruik van elektrische gereedschappen kan ernstige verwondingen tot gevolg hebben.
 - b) **Gebruik persoonlijke beschermingsmiddelen. Draag altijd een veiligheidsbril.** Een gepast gebruik van veiligheidsvoorzieningen, zoals een stofmasker, speciale werkschoenen met antislipzolen, een veiligheidshelm en gehoorbescherming verkleinen de kans op persoonlijk letsel.
 - c) **Voorkom dat het gereedschap per ongeluk wordt gestart. Zorg dat de schakelaar op de UIT positie staat, voordat u de stekker in het stopcontact steekt.** Draag elektrisch gereedschap nooit met uw vinger op de schakelaar en steek ook nooit de stekker van ingeschakelde elektrische gereedschappen in het stopcontact: dit leidt tot ongelukken.
 - d) **Verwijder alle instel en andere sleutels uit het elektrisch gereedschap voordat u hem inschakelt.** Instel en andere sleutels aan een ronddraaiend onderdeel van het elektrisch gereedschap kunnen tot verwondingen leiden.
 - e) **Zorg dat u nooit uw evenwicht kunt verliezen; houd altijd twee voeten stevig op de vloer.** Hierdoor kunt u het elektrisch gereedschap in onverwachte situaties beter onder controle houden.
 - f) **Zorg dat u geschikte kleding draagt. Draag geen loshangende kleding of sieraden. Houd uw haar, kleding en handschoenen uit de buurt van bewegende delen.** Loshangende kleding, sieraden en lang haar kunnen vast komen te zitten in bewegende delen.
 - g) **Wanneer er voorzieningen zijn voor de aansluiting van stofafzuiginstallaties, zorg dan dat ze op de juiste wijze worden aangesloten en gebruikt.** Gebruik van deze voorzieningen vermindert de gevaren die door stof worden veroorzaakt.
 - h) **Denk niet dat doordat u gereedschap vaak gebruikt, u wel weet hoe het allemaal werkt en dat u de veiligheidsbeginselen voor het gebruik van het gereedschap wel kunt negeren.** Een onbezonnen actie kan in een fractie van een seconde ernstig letsel tot gevolg hebben.
- 4) Gebruik en onderhoud van elektrisch gereedschap**
- a) **Oefen geen overmatige kracht uit op elektrisch gereedschap. Gebruik het juiste gereedschap voor uw specifieke toepassing.** Met het juiste elektrische gereedschap voert u de taak beter en veiliger uit wanneer dit op de snelheid gebeurt waarvoor het apparaat is ontworpen.
 - b) **Gebruik nooit elektrisch gereedschap waarvan de AAN/UITschakelaar niet werkt.** Ieder elektrisch gereedschap dat niet kan worden in en uitgeschakeld met de schakelaar is gevaarlijk en moet worden gerepareerd.
 - c) **Trek de stekker uit het stopcontact voordat u wijzigingen aanbrengt aan elektrische gereedschappen, accessoires verwisselt of het elektrisch gereedschap opbergt.** Wanneer u zich aan deze preventieve veiligheidsmaatregelen houdt, beperkt u het risico dat het gereedschap per ongeluk wordt gestart.
 - d) **Berg elektrisch gereedschap dat niet in gebruik is op buiten bereik van kinderen en laat personen die niet bekend zijn met het gereedschap of deze instructies het apparaat niet gebruiken.**

Elektrisch gereedschap is gevaarlijk in de handen van ongeoeffende gebruikers.

- e) **Zorg voor een goed onderhoud van elektrisch gereedschap. Controleer of bewegende delen op de juiste wijze zijn vastgezet. Controleer ook of er geen onderdelen defect zijn of dat er andere omstandigheden zijn die van invloed kunnen zijn op de werking van het gereedschap. Laat het gereedschap bij beschadigingen repareren vóór gebruik.** Veel ongelukken worden veroorzaakt door slecht onderhoud van het gereedschap.
 - f) **Zorg dat snij en zaagwerktuigen scherp en schoon blijven.** Goed onderhouden snij en zaagwerktuigen met scherpe randen zullen minder snel vastlopen en zijn eenvoudiger onder controle te houden.
 - g) **Gebruik alle elektrische gereedschappen, accessoires, bitjes etc., zoals aangegeven in deze instructies en op de wijze waarvoor het gereedschap is ontworpen. Houd daarbij rekening met de werkomstandigheden en de uit te voeren taak.** Gebruik van elektrisch gereedschap voor handelingen die afwijken van de taken waarvoor het apparaat is ontworpen kunnen leiden tot gevaarlijke situaties.
 - h) **Houd handgrepen en greepoppervlakken droog, schoon en vrij van olie en vet.** Gladde handgrepen en greepoppervlakken maken veilig werken en controle over het gereedschap in onverwachte situaties onmogelijk.
- 5) Gebruik en onderhoud accugereedschap**
- a) **Laad alleen op met de lader die door de fabrikant is gespecificeerd.** Een lader die voor een bepaalde accu geschikt is, kan brand veroorzaken wanneer deze met een andere accu wordt gebruikt.
 - b) **Gebruik elektrisch gereedschap alleen met de speciaal hiervoor bedoelde accu's.** Gebruik van andere accu's kan kans op letsel en brand geven.
 - c) **Wanneer de accu niet in gebruik is, houd deze dan uit de buurt van andere metalen voorwerpen zoals paperclips, munten, sleutels, spijkers, schroeven of andere kleine metalen voorwerpen die een verbinding tussen twee polen kunnen maken.** Kortsluiting tussen de accupolen kan brandwonden of brand veroorzaken.
 - d) **Wanneer de accu niet juist wordt gebruikt, kan er vloeistof uit lopen; raak dit niet aan. Wanneer dit per ongeluk wel gebeurt, spoel dan met water. Wanneer de vloeistof in de ogen komt, moet u een arts raadplegen.** De vloeistof uit de accu kan irritaties of brandwonden veroorzaken.
- e) **Gebruiken niet een accu of gereedschap dat beschadigd is of gemodificeerd.** Beschadigde of gemodificeerde accu's kunnen onvoorspelbaar gedrag vertonen, wat brand, explosie of een risico van letsel met zich meebrengt.
 - f) **Stel een accu over het gereedschap niet bloot aan open vuur of een uitzonderlijk hoge temperatuur.** Blootstelling aan vuur of een temperatuur hoger dan 130 °C, kan een explosie veroorzaken. NB De temperatuur van "130 °C" kan worden vervangen door de temperatuur van "265 °F".
 - g) **Houd u aan alle instructies voor het laden en laad de accu of het gereedschap niet op buiten het temperatuurbereik dat in de instructies wordt aangeduid.** Op een onjuiste wijze laden of laden bij temperaturen buiten het aangegevide bereik kan de accu beschadigen en het risico van brand doen toenemen.
- 6) Service**
- a) **Laat uw gereedschap onderhouden door een gekwalificeerde onderhoudstechnicus die alleen gebruikmaakt van identieke vervangingsonderdelen.** Dit zorgt ervoor dat de veiligheid van de power tool intact blijft.
 - b) **Voer nooit servicewerkzaamheden uit aan beschadigde accu's.** Alleen de fabrikant of geautoriseerde service-providers mogen servicewerkzaamheden aan accu's uitvoeren.

VEILIGHEIDSVORSCHRIFTEN VOOR CIRKELZAGEN

Zaagmethode

- **GEVAAR: Houd uw handen uit de buurt van de zaagomgeving en het zaagblad.** Houd met uw andere hand de extra handgreep of het motorhuis vast. Als u de zaagmachine met beide handen vasthoudt, kunnen uw handen niet door het zaagblad verwond worden.
- **Grijp niet onder het werkstuk.** De beschermkap kan u onder het werkstuk niet tegen het zaagblad beschermen.
- **Pas de zaagdiepte aan de dikte van het werkstuk aan.** Er dient minder dan een volledige tandhoogte onder het werkstuk zichtbaar te zijn.
- **Houdt het te zagen werkstuk nooit in uw hand of op uw been vast.** Zet het werkstuk in een stabiele opname vast. Het is belangrijk om het werkstuk goed te bevestigen, om het gevaar van contact met het lichaam, vastklemmen van het zaagblad of verlies van de controle te minimaliseren.

- **Houd het werkstuk tijdens het zagen nooit vast met uw handen of uw been.** Bevestig het werkstuk op een stabiel platform. Het is belangrijk om het werk goed te ondersteunen om blootstelling van het lichaam, het inbinden van het lemmet of het verlies van controle te minimaliseren.
- **Gebruik bij het schulpen altijd een aanslag of een rechte randgeleiding.** Dit verbetert de zaagnauwkeurigheid en verkleint de mogelijkheid dat het zaagblad vastklemt.
- **Gebruik altijd zaagbladen met de juiste maat en vorm (ruitvormig of rond) van het opnameboorgat.** Zaagbladen die niet bij de montagedelen van de zaagmachine passen, lopen niet rond en leiden tot het verliezen van de controle.
- **Gebruik nooit beschadigde of verkeerde onderleggingen of schroeven voor het zaagblad.** De onderleggingen en schroeven voor het zaagblad zijn speciaal geconstrueerd voor deze zaagmachine, voor optimaal vermogen en optimale bedrijfszekerheid.

Terugslag – Oorzaken en bijbehorende veiligheidsvoorschriften

- Een terugslag is de plotselinge reactie als gevolg van een vasthakend, vastklemmend of verkeerd gericht zaagblad, die ertoe leidt dat een ongecontroleerde zaagmachine uit het werkstuk omhoogkomt en in de richting van de bedienende persoon beweegt.
- Als het zaagblad in de zich sluitende zaaggroef vasthaakt of vastklemt, wordt het geblokkeerd en slaat de motorcracht de zaagmachine in de richting van de bedienende persoon terug.
- **Als het zaagblad in de zaaggroef wordt gedraaid of verkeerd wordt gericht, kunnen de tanden van de achterste zaagbladrand in het oppervlak van het werkstuk vasthaken, waardoor het zaagblad uit de zaaggroef beweegt en de zaagmachine terugspringt in de richting van de bedienende persoon.** Een terugslag is het gevolg van verkeerd gebruik of onjuiste gebruiksomstandigheden van de zaagmachine. Terugslag kan worden voorkomen door geschikte voorzorgsmaatregelen, zoals hieronder beschreven.
- **Houd de zaagmachine met beide handen vast en breng uw armen in een stand waarin u de terugslagkrachten kunt opvangen.** Blijf altijd opzij van het zaagblad en breng het zaagblad nooit op één lijn met uw lichaam. Bij een terugslag kan de zaagmachine naar achteren springen. De bedienende persoon kan de terugslagkrachten echter door geschikte voorzorgsmaatregelen beheersen.
- **Als het zaagblad vastklemt of als u de werkzaamheden onderbreekt, schakelt u de zaagmachine uit en houdt u deze rustig in het werkstuk totdat het zaagblad tot stilstand is gekomen.** Probeer nooit om de zaagmachine uit het werkstuk te verwijderen of de machine achteruit te trekken zolang het zaagblad beweegt. Anders kan er een terugslag optreden. Stel de oorzaak van het vastklemmen van het zaagblad vast en maak deze ongedaan.
- **Als u een zaagmachine die in het werkstuk steekt weer wilt starten, centreert u het zaagblad in de zaaggroef en controleert u of de zaagtanden niet in het werkstuk zijn vastgehaakt.** Als het zaagblad vastklemt, kan het uit het werkstuk bewegen of een terugslag veroorzaken wanneer de zaagmachine opnieuw wordt gestart.
- **Ondersteun grote platen om het risico van een terugslag door een vastklemmend zaagblad te verminderen.** Grote platen kunnen onder hun eigen gewicht doorbuigen. Platen moeten aan beide zijden worden ondersteund, zowel in de buurt van de zaagopening als aan de rand.
- **Gebruik geen stompe of beschadigde zaagbladen.** Zaagbladen met stompe of verkeerd gerichte tanden veroorzaken door een te nauwe zaagopening een verhoogde wrijving, vastklemmen van het zaagblad of terugslag.
- **Draai voor het begin van de zaagwerkzaamheden de instellingen voor de zaagdiepte en de zaaghoek vast.** Als de instellingen tijdens het zagen veranderen, kan het zaagblad vastklemmen en kan er een terugslag optreden.
- **Wees bijzonder voorzichtig bij zaagwerkzaamheden in bestaande muren of andere plaatsen zonder voldoende zicht.** Het invallende zaagblad kan bij zaagwerkzaamheden in niet-zichtbare voorwerpen blokkeren en een terugslag veroorzaken.

Functie van onderste beschermkap

- **Controleer voor elk gebruik of de onderste beschermkap correct sluit.** Gebruik de zaagmachine niet als de onderste beschermkap niet vrij kan bewegen en niet onmiddellijk sluit. Klem of bind de onderste beschermkap nooit in de geopende stand vast. Als de zaagmachine op de vloer valt, kan de onderste beschermkap verbogen worden.

Open de beschermkap met de terugtrekhandel en controleer dat de kap vrij beweegt en dat deze bij alle zaaghoeken en zaagdiepten het zaagblad of andere delen niet aanraakt.

- **Controleer de functie van de veer voor de onderste beschermkap.** Als de onderste beschermkap en de veer niet correct werken, dient u de zaagmachine te laten repareren voordat u deze gebruikt. Beschadigde delen, plakende aanslag of ophoping van spanen laten de onderste beschermkap vertraagd werken.
- **Open de onderste beschermkap met de hand alleen bij bijzondere snedes, zoals „inval- en haakse snedes”.** Open de onderste beschermkap met de terugtrekhandel en laat deze los zodra het zaagblad in het werkstuk valt. Bij alle andere zaagwerkzaamheden moet de onderste beschermkap automatisch werken.
- **Leg de zaagmachine niet op de werkbank of op de vloer zonder dat de onderste beschermkap het zaagblad bedekt.** Een onbeschermd uitlopend zaagblad beweegt de zaagmachine tegen de zaagrichting en zaagt wat er in de weg komt. Let op de uitlooptijd van de zaagmachine.

EXTRA VEILIGHEIDSWAARSCHUWINGEN

- **Grijp niet met uw handen in de spaanafvoer.** U kunt zich aan ronddraaiende delen verwonden.
- **Werk met de zaagmachine niet boven uw hoofd.** Zo heeft u geen voldoende controle over het elektrische gereedschap.
- **Gebruik een geschikt detectieapparaat om verborgen stroom-, gas- of waterleidingen op te sporen of raadpleeg het plaatselijke energie- of waterleidingbedrijf.** Contact met elektrische leidingen kan tot brand of een elektrische schok leiden. Beschadiging van een gasleiding kan tot een explosie leiden. Breuk van een waterleiding veroorzaakt materiële schade.
- **Gebruik het elektrische gereedschap niet stationair.** Het is niet geconstrueerd voor gebruik met een zaagtafel.
- **Gebruik geen zaagbladen van HSS-staal.** Dergelijke zaagbladen kunnen gemakkelijk breken.
- **Zaag geen ijzermetaal.** Gloeiende spanen kunnen de stofafzuiging doen ontbranden.
- **Houd het elektrische gereedschap tijdens de werkzaamheden stevig met beide handen vast en zorg ervoor dat u stevig staat.** Het elektrische gereedschap wordt met twee handen veiliger geleid.
- **Zet het werkstuk vast.** Een met spanvoorzieningen of een bankschroef vastgehouden werkstuk wordt beter vastgehouden dan u met uw hand kunt doen.
- **Wacht tot het elektrische gereedschap tot stilstand is gekomen voordat u het neerlegt.** Het inzetgereedschap kan vasthaken en dit kan tot het verlies van de controle over het elektrische gereedschap leiden.
- **Cirkelzagen zijn bestemd voor het zagen van hout of houtachtige materialen, ze kunnen niet worden gebruikt met doorslijpschijven voor het doorslijpen van ferrometalen zoals stangen, staven, spijkers enz.** Slijpstof kan ervoor zorgen dat bewegende delen zoals de onderste beschermkap blokkeren. Vonken die bij doorslijpen ontstaan, leiden tot brandplekken bij de onderste beschermkap, de verstekzaagbak en andere kunststof onderdelen.
- **Gebruik alleen zaagbladen die een snelheidsmarkering hebben die gelijk is aan of hoger is dan de snelheid die is gemarkeerd op de machine.**
- **Gebruik uitsluitend zaagbladen waarvan de specificaties overeenkomen met die in deze bedieningshandleiding en zaagbladen die zijn getest en gemarkeerd in overeenstemming met EN 847-1.**

2. TECHNISCHE INFORMATIE

Bedoeld gebruik

Deze cirkelzaag is bedoeld voor het overlangs, dwars en in verstek zagen van hout terwijl de grondplaat stevig op het werkstuk blijft rusten. Kunststoffen of metalen zagen is niet toegestaan. Het elektrisch gereedschap met het gemonteerde zaagblad is ontworpen voor het met voldoende capaciteit zagen van hardhout en zachthout, en ook van spaanplaat en vezelplaat. Het zaagblad is niet ontworpen voor het zagen van brandhout. Gebruik de zaag niet voor het zagen van andere dan die in de handleiding worden beschreven materialen.

Model Nr.	CS502AC
Voltage	230-240 V~
Frequentie	50 Hz
Opgenomen vermogen	1200 W
Onbelast toerental	5500/min.
Zaagblad afmeting	Ø185x Ø20x2.4mm
Max. Zaagcapaciteit 0°	65mm
Max. Zaagcapaciteit 45°	43mm
IP Class	IP20
Gewicht	3.47 kg
Geluidsdruk LPA	92.8 dB(A), K=3dB(A)
Geluidsniveau LWA	103.8 dB(A), K=3dB(A)
Trillingen	3.201 m/s ² K=1.5 m/s ²

Trillingsniveau

Het trillingsemissieniveau, dat in deze gebruiksaanwijzing wordt vermeld, is gemeten in overeenstemming met een gestandaardiseerde test volgens EN 62841; deze mag worden gebruikt om twee machines met elkaar te vergelijken en als voorlopige beoordeling van de blootstelling aan trilling bij gebruik van de machine voor de vermelde toepassingen.

- Het gebruik van de machine voor andere toepassingen, of met andere of slecht onderhouden accessoires, kan het blootstellingsniveau aanzienlijk verhogen.
- Wanneer de machine is uitgeschakeld of wanneer deze loopt maar geen werk verricht, kan dit het blootstellingsniveau aanzienlijk reduceren.

Bescherm uzelf tegen de gevolgen van trilling door de machine en de accessoires te onderhouden, uw handen warm te houden en uw werkwijze te organiseren.

BESCHRIJVING

De nummers in de tekst verwijzen naar de diagrammen op pagina 2-3.

1. Handgreep
2. Aan/uit schakelaar
3. Knop voor vergrendeling in de Uit-stand
4. Netsnoer
5. Hulphandgreep
6. Schaalverdeling voor verstekhoek

7. Klembout voor verstekhoek
8. Zaagmerkteken, 45°
9. Zaagmerkteken, 0°
10. Klembout voor parallelle geleiding
11. Stofafzuigpoort
12. Hendel voor het terugtrekken van de onderste beschermkap
13. Bovenste beschermkap
14. Onderste beschermkap
15. Klembout
16. Klemflens
17. Grondplaat
18. Zaagblad
19. Asvergrendeling
20. Hendel voor diepteafstelling
21. Schaalverdeling voor diepteafstelling
22. Parallelle geleider
23. Koolborstelschroef

3. ASSEMBLAGE



Schakel voor montage altijd de machine uit en verwijder de netstekker uit het stopcontact.

Het zaagblad vervangen (Afb. A, B)



Draag beschermende handschoenen wanneer u het zaagblad monteert. Gevaar voor persoonlijk letsel wanneer u het zaagblad aanraakt.



Gebruik alleen zaagbladen waarvan de typische gegevens overeenkomen met die in de bedieningsinstructies.



Gebruik de machine onder geen enkele omstandigheid met slijpschijven als zaaggereedschap.

U kunt voor het vervangen van het zaag blad het beste de diepte instellen op 0mm en de verstekhoek instellen op 0°. Daarna kan de machine op z'n zijde worden geplaatst, rustend op de motor-behuizing en de grondplaat.

Het zaagblad verwijderen

1. Druk de knop (19) voor de asvergrendeling in en houd de knop ingedrukt.
2. Draai de klembout (15) met de bijgeleverde inbussleutel naar links los.
3. Verwijder de klembout (15) en de klemflens (16).

4. Trek de onderste beschermkap (14) terug met de hendel (12) en verwijder het zaagblad.

Het zaagblad monteren

1. Reinig het zaagblad en alle te monteren klemmerdelen.
2. Trek de onderste beschermkap (14) terug met de hendel (12) en monteer het zaagblad. Let erop dat de pijl op het zaagblad in dezelfde richting moet wijzen als de pijl op de onderste beschermkap (14).
3. Monteer de klemflens (16). Let erop dat de vlakke zijden van de klemflens overeen moeten komen met de vlakke zijden van de schacht van het zaagblad. Controleer ook dat de bolle zijde van de klemflens naar buiten is gemonteerd.
4. Druk de knop (19) voor de asvergrendeling in en houd de knop ingedrukt.
5. Monteer de klembout (15) met de bijgeleverde inbussleutel en de bout naar rechts vast.

De parallelle geleiding bevestigen (Afb. D)

1. Draai de klembout voor de parallelle geleiding los (10).
2. Monteer de parallelle geleiding (22) op de grondplaat (17).
3. Stel de gewenste zaagbreedte in met de schaalverdeling op de parallelle geleiding (22) en met het zaagmerkteken op de grondplaat (17). Het zaagmerkteken voor 45° (8) geeft de positie aan van het zaagblad voor zaagsneden onder een hoek van 45°. Het zaagmerkteken voor 0° (9) geeft de positie aan van het zaagblad voor zaagsneden onder een rechte hoek.
4. Zet de klembout (10) vast.

4. BEDIENING

De machine in-/uitschakelen (Afb. A,B)

- U kunt de machine starten door op de knop (3) voor vergrendeling de Uit-stand te drukken en ingedrukt te houden en op de Aan/Uit-schakelaar (2) te drukken.
- U kunt de machine uitschakelen door op de Aan/Uit-schakelaar (2) te drukken.

De zaaghoek instellen (Afb. A, B)

Het 0° zaagmerkteken (9) geeft de positie van het zaagblad aan voor rechte zaagsneden. Het 45° zaagmerkteken (8) geeft de positie van het zaagblad aan voor 45° zaagsneden.

1. Draai de klembout (7) los.
2. Stel de grondplaat (17) in op de gewenste positie (0° - 45°). De zaaghoek (verstek) kan op de schaalverdeling (6) worden afgelezen.
3. Draai de klembout (7) vast.

Instellen van de zaagdiepte (Afb. C)

1. Draai de hendel voor diepteafstelling (20) los.
2. Verplaats de grondplaat (17) naar de gewenste positie. De zaagdiepte is af te lezen op de Schaalverdeling (21).
3. Draai de hendel voor diepteafstelling aan (20).

Optimaal gebruik

- Klem het werkstuk vast zodat u beide handen vrij hebt om de cirkelzaag vast te houden en te bedienen.
- Schakel de cirkelzaag in en plaats de zaagbodem op het werkstuk.
- Beweeg langzaam naar de vooraf afgetekende zaaglijn en druk de cirkelzaag langzaam vooruit.
- Druk de zaagbodem stevig tegen het werkstuk.
- Laat de cirkelzaag het werk doen! Druk daarom niet te hard tegen de cirkelzaagmachine.

5. ONDERHOUD



Verbreek altijd eerst de aansluiting op de stroomvoorziening en voer dan pas onderhoudswerk aan de machine uit.

Reinig de machinebehuizing regelmatig met een zachte doek, bij voorkeur iedere keer na gebruik. Zorg dat de ventilatiesleuven vrij van stof en vuil zijn. Gebruik bij hardnekkig vuil een zachte doek bevochtigd met zeepwater. Gebruik geen oplosmiddelen als benzine, alcohol, ammonia, etc. Dergelijke stoffen beschadigen de kunststof onderdelen.

MILIEU



Defecte en/of afgedankte elektrische of elektronische gereedschappen dienen ter verwerking te worden aangeboden aan een daarvoor verantwoordelijke instantie.

Uitsluitend voor EG-landen

Werp elektrisch gereedschap niet weg bij het huisvuil. Conform de Europese Richtlijn 2012/19/EG voor Afgedankte Elektrische en Elektronische Apparatuur en de implementatie ervan in nationaal

recht moet niet langer te gebruiken elektrisch gereedschap gescheiden worden verzameld en op een milieuvriendelijke wijze worden verwerkt.

GARANTIE

VONROC producten zijn ontworpen volgens de hoogste kwaliteitsstandaarden en gegarandeerd vrij van defecten, zowel materieel als fabrieksfouten, tijdens de wettelijk vastgestelde garantieperiode vanaf de eerste aankoopdatum. Mocht het product tijdens deze periode gebreken vertonen veroorzaakt door defecte materialen en/of fabrieksfouten, neem dan rechtstreeks contact op met VONROC.

De volgende situaties vallen niet onder de garantie:

- Er zijn reparaties of aanpassingen aan de machine uitgevoerd, of er is een poging daartoe ondernomen, door een nietgeautoriseerd servicecentrum.
- Normale slijtage.
- De machine is misbruikt, verkeerd gebruikt of slecht onderhouden.
- Er zijn niet-originele reserveonderdelen gebruikt.

Dit vormt de enige garantie opgesteld door het bedrijf zowel expliciet als impliciet. Er bestaan geen andere garanties expliciet of impliciet welke verder gaan dan deze garantie, inclusief impliciete garanties van verkoopbaarheid en geschiktheid voor bepaalde doeleinden. In geen enkel geval kan VONROC aansprakelijk worden gesteld voor incidentele schade of gevolgschade. Reparaties van dealers zijn gelimiteerd tot de reparatie of vervanging van defecte producten of onderdelen.

Het product en de gebruikershandleiding zijn onderhevig aan wijzigingen. Specificaties kunnen zonder opgaaf van redenen worden gewijzigd.

1. CONSIGNES DE SÉCURITÉ

En plus des avertissements de sécurité suivants, veuillez également lire les avertissements de sécurité additionnels ainsi que les instructions. Le non-respect des avertissements de sécurité et des instructions peut entraîner une décharge électrique, un incendie et/ou des blessures graves. Veuillez conserver les avertissements de sécurité et les instructions pour consultation ultérieure.

Les symboles suivants sont utilisés dans le manuel d'utilisation ou apposés sur le produit:



Lisez le manuel d'utilisation.



Signale un risque de blessures, un danger mortel ou un risque d'endommagement de l'outil en cas de non-respect des instructions de ce manuel.



Risque d'électrocution.



En cas d'endommagement du câble secteur et durant le nettoyage et l'entretien, débranchez immédiatement la fiche de la prise secteur.



Machine de classe II - Double isolation - Vous n'avez pas besoin de prise avec mise à la terre.



Tenir les autres personnes à distance.



Porter une protection oculaire.



Porter une protection auditive.



Porter un masque antipoussière.



Faites attention aux dimensions de la lame de scie. Le diamètre de l'alésage central doit correspondre exactement à celui de la broche (pas de jeu). Lorsqu'il est nécessaire d'utiliser des bagues de réduction, veillez à ce que les dimensions de la bague de

réduction soient adaptées à l'épaisseur du corps de lame, au diamètre de l'alésage de la lame et au diamètre de la broche de l'outil. Utilisez dans la mesure du possible les bagues de réduction fournies avec la lame. Le diamètre de lame doit correspondre à l'indication du pictogramme.



Zone de danger ! Tenir les mains éloignées (10 cm) de la zone de coupe lorsque la machine est en marche. Risque de blessure en cas de contact avec la lame de scie.



Ne jetez pas le produit dans des conteneurs qui ne sont pas prévus à cet effet.



Le produit est conforme aux normes de sécurité en vigueur spécifiées dans les directives européennes.

CONSIGNES GÉNÉRALES DE SÉCURITÉ



AVERTISSEMENT! Veuillez lire l'intégralité des avertissements de sécurité et des instructions. Le nonrespect de toutes les instructions indiquées cidessous peut entraîner un risque de choc électrique, d'incendie et/ou de blessures graves.

Conservez ces instructions.

Le terme "appareil électrique" mentionné dans tous les avertissements cidessous se rapporte à un appareil électrique qui se branche au réseau électrique (grâce à un câble d'alimentation) ou à un appareil électrique (sans fil) fonctionnant grâce à une batterie.

1) Espace de travail

- a) **Veillez toujours à garder votre espace de travail propre et bien éclairé.** Les espaces mal rangés et sombres peuvent être la cause d'accidents.
- b) **N'utilisez pas les appareils électriques dans des environnements susceptibles d'explosion, par exemple en présence de liquides inflammables, de gaz ou de particules.** Les appareils électriques provoquent des étincelles qui peuvent enflammer les particules des émanations.
- c) **Veillez à garder éloignés les enfants et les personnes se trouvant dans votre voisinage,**

lors de l'utilisation d'un appareil électrique.

Les distractions peuvent vous faire perdre le contrôle de l'appareil.

2) Mesures de sécurité électriques

- a) **Les prises des appareils électriques doivent être raccordées à la prise murale correspondante. Ne modifiez jamais la prise de l'appareil, de quelque façon que ce soit. N'utilisez pas d'adaptateurs qui mettent les appareils électriques à la terre (mise à la masse).** Des prises non modifiées et branchées à la prise murale correspondante réduiront les risques de choc électrique.
- b) **Évitez le contact direct avec les surfaces mises à la terre ou mises à la masse comme les canalisations, les radiateurs, les cuisinières et les réfrigérateurs.** En effet, le risque de choc électrique s'accrut si votre corps est mis à la terre ou à la masse.
- c) **N'utilisez pas d'outils électriques dans des environnements pluvieux ou humides.** Si de l'eau s'introduit dans un appareil électrique, le risque de choc électrique augmentera.
- d) **N'utilisez pas le câble de manière abusive. N'utilisez jamais le câble pour transporter, tirer ou débrancher l'appareil électrique. Veillez à garder le câble éloigné des sources de chaleur, des huiles, des rebords coupants ou des pièces actionnées.** Les câbles endommagés ou entremêlés augmentent le risque de choc électrique.
- e) **Lorsque un appareil est utilisé à l'extérieur, utilisez uniquement un câble prolongateur prévu à cet effet.** L'utilisation d'un câble à usage extérieur réduit le risque de choc électrique.
- f) **Si vous êtes contraint d'utiliser un outil électrique dans un environnement humide, utilisez une alimentation protégée par un dispositif à courant résiduel (RCD).** L'utilisation d'un RCD réduit le risque de décharge électrique.

3) Sécurité personnelle

- a) **Restez vigilant, gardez un œil sur ce que vous faites et utilisez votre sens commun lors de l'utilisation d'un appareil électrique. N'utilisez pas un appareil électrique si vous êtes fatigué ou si vous êtes sous l'influence de drogues, d'alcool ou si vous prenez des médicaments.** Un moment d'inattention lors de l'utilisation des appareils électriques peut entraîner des blessures graves.
- b) **Utilisez un équipement de protection personnelle. Protégez-vous toujours les yeux.** Les équi-

pements de protection, tels qu'un masque à poussière, des chaussures antidérapantes, des protections auditives ou un casque de sécurité, utilisés dans de bonnes conditions, réduiront le risque de blessures.

- c) **Prévenez tout démarrage involontaire. Assurez-vous que l'interrupteur est sur la position "arrêt avant de brancher l'appareil.** En effet, le transport des appareils électriques en gardant vos doigts sur l'interrupteur, ou le branchement de ces appareils en ayant l'interrupteur sur "marche accidents.
- d) **Retirez les clés de réglage ou les clés de vis de réglage avant d'allumer l'appareil électrique.** Une clé de vis de réglage ou une clé, laissée sur une pièce en mouvement de l'appareil électrique, peut entraîner des lésions corporelles.
- e) **Ne pas se précipiter. Gardez toujours vos pieds à plat et gardez votre équilibre.** Ceci permet de mieux contrôler l'appareil électrique dans des situations imprévues.
- f) **Habillez-vous convenablement. Ne portez pas de vêtements lâches ou de bijoux. Gardez vos cheveux, vêtements et gants éloignés des pièces actionnées.** En effet, ces derniers peuvent être pris dans les pièces en action.
- g) **Si les appareils sont fournis pour la connexion des équipements d'évacuation et de récupération de la poussière, assurez-vous que ces derniers soient correctement connectés et utilisés.** L'utilisation de ces appareils peut réduire les risques liés à la poussière.
- h) **Ne pensez pas être familiarisé avec l'outil après l'avoir utilisé à de nombreuses reprises, au point de ne plus rester vigilant et d'en oublier les consignes de sécurité.** Toute action imprudente peut engendrer de graves blessures en une fraction de seconde
- 4) Utilisation et entretien d'un appareil électrique**
- a) **Ne forcez pas l'appareil électrique. Utilisez l'appareil électrique adéquat pour votre application.** Un appareil électrique correctement choisi assurera un meilleur travail et un travail sans danger, au rythme auquel il a été conçu.
- b) **N'utilisez pas l'appareil électrique si l'interrupteur marche/arrêt ne fonctionne pas.** Un appareil électrique qui ne peut pas être commandé par l'interrupteur de contrôle est dangereux et doit être réparé.
- c) **Débranchez la prise du bloc d'alimentation avant d'effectuer des réglages, de changer des accessoires, ou de ranger les appareils électriques.** Ces mesures de sécurité préventives réduiront le risque de démarrage involontaire de l'appareil électrique.
- d) **Rangez les appareils électriques arrêtés hors de la portée des enfants et ne laissez aucune personne, non familiarisée avec l'outil ou ces instructions, utiliser l'appareil électrique.** Les appareils électriques sont dangereux entre les mains d'utilisateurs non formés.
- e) **Entretenez les appareils électriques. Vérifiez tout défaut d'alignement et l'enchaînement des pièces actionnées, la rupture de ces dernières, et les autres conditions qui peuvent affecter le fonctionnement des appareils électriques. En cas de dommages, faites réparer l'appareil électrique avant de le réutiliser.** Nombreux sont les accidents provoqués par des appareils électriques mal entretenus.
- f) **Veillez à garder les outils coupants aiguisés et propres.** Des outils coupants correctement entretenus avec des lames aiguisées sont moins susceptibles de se bloquer et sont plus faciles à contrôler.
- g) **Utilisez l'appareil électrique, les accessoires et les embouts, etc., conformément à ces instructions et de la manière prévue pour le type spécifique de l'appareil électrique, en prenant en compte les conditions de travail et le travail à effectuer.** L'utilisation de l'appareil électrique dans des applications différentes de celles prévues peut entraîner des situations dangereuses.
- h) **Gardez les poignées et les surfaces de préhension sèches, propres et exemptes d'huile et de graisse.** Des poignées et des surfaces de préhension glissantes ne permettent pas de manipuler et de contrôler l'outil correctement en cas de situations inattendues.
- 5) Utiliser et soigner les outils à batterie**
- a) **Rechargez la batterie uniquement avec le chargeur spécifié par le fabricant.** Un chargeur adapté à une certaine batterie peut être cause de danger d'incendie quand on l'utilise avec une batterie différente.
- b) **Utilisez chaque outil uniquement avec la batterie conçue pour lui.** L'utilisation de toute autre batterie peut être cause de danger de blessure ou d'incendie.

- c) **Lorsque une batterie n'est pas en usage, gardez-la hors d'atteinte d'objets métalliques tels que les trombones, pièces de monnaie, clés, clous, vis et autres petits objets métalliques pouvant faire le contact entre une borne et l'autre.** Un court-circuit entre les bornes de la batterie peut être cause de brûlures ou d'incendie.
 - d) **Dans des circonstances extrêmes, du liquide peut gicler hors de la batterie ; évitez tout contact. En cas de contact accidentel, rincez à l'eau. En cas de contact du liquide avec les yeux, consultez un médecin.** Le liquide qui gicle d'une batterie peut causer irritations ou brûlures.
 - e) **N'utilisez pas un bloc-batterie ou un outil endommagé ou modifié.** Une batterie endommagée ou altérée peut avoir un comportement imprévisible qui peut conduire à un incendie, une explosion ou un risque de blessure.
 - f) **N'exposez pas le bloc-batterie ou l'outil au feu ou à des températures excessives.** L'exposition au feu ou à des températures dépassant 130 °C peut provoquer une explosion. REMARQUE La température de "130°C" peut être remplacé par la température de "265°F".
 - g) **Respectez les instructions pour la charge et ne rechargez pas le bloc-batterie ou l'outil à une plage de températures hors de celle spécifiée dans les instructions.** Une charge mal effectuée ou à des températures hors de la plage spécifiée peut endommager la batterie et augmente le risque d'incendie.
- 6) Maintenance**
- a) **L'entretien de votre outil électrique doit être confié à un réparateur qualifié qui utilise uniquement des pièces de rechange identiques aux pièces d'origine.** Cela permet d'assurer la sécurité de l'outil électrique
 - b) **Ne réparez jamais des blocs-batteries endommagés.** Les réparations sur les blocs-batteries ne doivent être effectuées que par le fabricant ou l'un de ses prestataires de services agréés.

INSTRUCTIONS DE SÉCURITÉ POUR SCIES CIRCULAIRES

Procédures de coupe

- **DANGER : N'approchez pas les mains de la zone de coupe et de la lame.** Gardez la deuxième main sur la poignée auxiliaire ou sur le boîtier du moteur. Si les deux mains tiennent la scie, elles ne peuvent pas être coupées par la lame.
- **N'exposez aucune partie de votre corps sous la pièce à travailler.** Le protecteur ne peut pas vous protéger de la lame sous la pièce à travailler.
- **Ajustez la profondeur de coupe à l'épaisseur de la pièce à travailler.** Il convient que moins de la totalité d'une dent parmi toutes les dents de la lame soit visible sous la pièce à travailler.
- **Ne tenez jamais la pièce dans vos mains ou sur votre jambe pendant la coupe.** Sécurisez la pièce sur une plate-forme stable. Il est important de bien supporter le travail afin de minimiser l'exposition du corps, la fixation de la lame ou la perte de contrôle.
- **Maintenez l'outil uniquement par les surfaces de prise isolantes, si l'outil coupant, en marche, peut être en contact avec des conducteurs cachés.** Le contact avec un fil « sous tension » mettra également « sous tension » les parties métalliques exposées de l'outil et provoquera un choc électrique sur l'opérateur.
- **Lors d'une coupe, utilisez toujours un guide parallèle ou un guide à bords droits.** Cela améliore la précision de la coupe et réduit les risques de grippage de la lame.
- **Toujours utiliser des lames de scie de la bonne taille, de forme adaptée à l'alésage de fixation (par ex. en losange ou rondes).** Des lames ne convenant pas aux pièces de montage de la scie ne tournent pas rond et conduisent à une perte de contrôle.
- **N'utilisez jamais de rondelles ou de boulons de lames endommagés ou inadaptés.** Les rondelles et les boulons de lames ont été spécialement conçus pour votre scie, afin de garantir une performance optimale et une sécurité de fonctionnement.

Causes du recul et mises en garde correspondantes

- le recul est une réaction soudaine observée sur une lame de scie pincée, bloquée ou mal alignée, faisant sortir la scie de la pièce à travailler de manière incontrôlée dans la direction de l'opérateur ;
- lorsque la lame est pincée ou bloquée fermement par le fond du trait de scie, la lame se bloque et le moteur fait retourner brutalement le bloc à l'opérateur ;
- **si la lame se tord ou est mal alignée lors de la coupe, les dents sur le bord arrière de la lame peuvent creuser la face supérieure du bois, ce qui fait que la lame sort du trait de scie et est projetée sur l'opérateur.** Le recul est le

résultat d'un mauvais usage de la scie et/ou de procédures ou de conditions de fonctionnement incorrectes et peut être évité en prenant les précautions adéquates spécifiées ci-dessous.

- **Maintenez fermement la scie avec les deux mains et positionnez vos bras afin de résister aux forces de recul.** Positionnez votre corps de chaque côté de la lame, mais pas dans l'alignement de la lame. Le recul peut faire revenir la scie en arrière, mais les forces de recul peuvent être maîtrisées par l'opérateur, si les précautions adéquates sont prises.
- **Lorsque la lame est grippée ou lorsqu'une coupe est interrompue pour quelque raison que ce soit, relâchez le bouton de commande et maintenez la scie immobile dans le matériau, jusqu'à ce que la lame arrête complètement de fonctionner.** N'essayez jamais de retirer la scie de la pièce à travailler ou de tirer la scie en arrière pendant que la lame est en mouvement ou que le recul peut se produire. Recherchez et prenez des mesures correctives afin d'empêcher que la lame ne se grippe.
- **Lorsque vous remettez en marche une scie dans la pièce à travailler, centrez la lame de scie dans le trait de scie et vérifiez que les dents de la scie ne soient pas rentrées dans le matériau.** Si la lame de scie est grippée, elle peut venir chevaucher la pièce à travailler ou en sortir lorsque la scie est remise en fonctionnement.
- **Placez des panneaux de grande taille sur un support afin de minimiser les risques de pincement de la lame et de recul.** Les grands panneaux ont tendance à fléchir sous leur propre poids. Les supports doivent être placés sous le panneau des deux cotés, près de la ligne de coupe et près du bord du panneau.
- **N'utilisez pas de lames émoussées ou endommagées.** Des lames non aiguisées ou mal fixées entraînent un trait de scie rétréci, provoquant trop de frottements, un grippage de la lame et un recul.
- **La profondeur de la lame et les leviers de verrouillage et de réglage du biseau doivent être solides et stables avant de réaliser la coupe.** Si l'ajustement de la lame dérive pendant la coupe, cela peut provoquer un grippage et un recul.
- **Soyez d'autant plus prudent lorsque vous découpez des parois existantes ou d'autres zones sans visibilité.** La lame saillante peut couper des objets qui peuvent entraîner un recul.

Fonctionnement du protecteur inférieur

- **Vérifiez que le protecteur inférieur soit bien fermé avant chaque utilisation.** Ne mettez pas la scie en marche si le protecteur inférieur ne se déplace pas librement et ne se ferme pas instantanément. Ne serrez jamais ou n'attachez jamais le protecteur inférieur en position ouverte. Si la scie tombe accidentellement, le protecteur inférieur peut se tordre. Soulevez le protecteur inférieur avec la poignée rétractive et assurez-vous qu'il bouge librement et n'est pas en contact avec la lame ou toute autre partie, à tous les angles et profondeurs de coupe.
- **Vérifiez le fonctionnement du ressort du protecteur inférieur.** Si le protecteur et le ressort ne fonctionnent pas correctement, ils doivent être révisés avant utilisation. Le protecteur inférieur peut fonctionner lentement en raison d'éléments endommagés, de dépôts collants ou de l'accumulation de débris.
- **N'ouvrez le protecteur inférieur à la main que pour certaines coupes particulières, notamment les « coupes plongeantes ou angulaires.** Ouvrez alors le protecteur inférieur avec le levier de basculement et relâchez-le dès que la lame a plongé dans la pièce. Pour tous les autres travaux de sciage, laissez le protecteur inférieur fonctionner automatiquement.
- **Vérifiez toujours que le protecteur inférieur recouvre la lame avant de poser la scie sur un établi ou sur le sol.** Une lame non protégée et continuant à fonctionner par inertie entraînera la scie en arrière, et coupera alors tout ce qui se trouve sur sa trajectoire. Soyez conscient du temps nécessaire à la lame pour s'arrêter après que l'interrupteur est relâché.

AVERTISSEMENTS SUPPLÉMENTAIRES

- **Ne pas mettre les mains dans l'éjecteur de copeaux.** Il y a risque de blessures avec les parties en rotation
- Ne pas travailler avec la scie au-dessus de la tête. Dans cette position, vous n'avez pas suffisamment de contrôle sur l'appareil électroportatif.
- **Utiliser des détecteurs appropriés afin de déceler des conduites cachées ou consulter les entreprises d'approvisionnement locales.** Un contact avec des conduites d'électricité peut provoquer un incendie ou un choc électrique. Un endommagement d'une conduite de gaz peut provoquer une explosion. La perforation d'une

- conduite d'eau provoque des dégâts matériels.
- Ne pas utiliser l'outil électroportatif de manière stationnaire ! Il n'est pas conçu pour une utilisation avec table de sciage.
 - **Ne pas utiliser de lames en acier HSS (aciers super rapides).** De telles lames se cassent facilement.
 - **Ne pas scier de métaux ferreux.** Les copeaux incandescents peuvent enflammer l'aspiration des copeaux.
 - **Toujours bien tenir l'outil électroportatif des deux mains et veiller à toujours garder une position de travail stable.** Avec les deux mains, l'outil électroportatif est guidé de manière plus sûre.
 - **Bloquer la pièce à travailler.** Une pièce à travailler serrée par des dispositifs de serrage appropriés ou dans un étau est fixée de manière plus sûre que tenue dans les mains.
 - **Avant de déposer l'outil électroportatif, attendre que celui-ci soit complètement à l'arrêt.** L'outil risque de se coincer, ce qui entraînerait une perte de contrôle de l'outil électroportatif.
 - **Les scies circulaires sont destinées à couper le bois ou des produits assimilés, et ne peuvent pas être utilisées avec une meule tronçonneuse pour la coupe de matériaux ferreux tels que des barres, tiges, goujons, etc.** La poussière d'abrasif provoque le coincement des pièces mobiles telles que le protecteur inférieur. Les étincelles générées par une coupe abrasive provoquent l'inflammation du protecteur inférieur, de l'insert de saignée et des autres pièces en plastique.
 - **N'utilisez que des lames de scie marquées pour une vitesse égale ou supérieure à la vitesse marquée sur la machine.**
 - **N'utilisez que des lames de scie qui correspondent aux spécifications données dans ce manuel d'utilisation, qui ont été testées et qui sont marquées conformément à la norme EN 847-1.**

2. INFORMATIONS RELATIVES À LA MACHINE

Utilisation prévue

Cette scie circulaire est conçue pour les coupes longitudinales, les coupes transversales et les coupes en biseau dans le bois avec la semelle restant fermement à plat sur l'ouvrage. La découpe des plastiques et des métaux n'est pas autorisée. L'outil

électrique avec la lame de scie en place a une capacité nominale prévue pour scier le bois dur et le bois tendre ainsi que les panneaux d'aggloméré et de fibre. La lame de scie n'est pas prévue pour scier le bois de chauffage. N'utilisez pas la scie pour scier d'autres matériaux que ceux spécifiés dans ce manuel.

N° de modèle	CS502AC
Tension	230-240 V~
Fréquence	50 Hz
Puissance consommée	1200 W
Vitesse à vide	5500/min
Lame de scie	Ø185x Ø20x2.4mm
Profondeur de coupe max. 0°	65mm
Profondeur de coupe max. 45°	43mm
Classe IP	IP20
Poids	3.47 kg
Niveau de pression acoustique LPA	92.8 dB(A), K=3dB(A)
Niveau d'intensité acoustique LWA	103.8 dB(A), K=3dB(A)
Valeur vibratoire	3.201 m/s ² K=1.5 m/s ²

Niveau de vibrations

Le niveau de vibrations émises, indiqué dans ce manuel, a été mesuré conformément à la procédure décrite par la norme EN 62841. Il peut être utilisé pour comparer deux outils ou pour réaliser une estimation préalable de l'exposition aux vibrations lors de l'utilisation de l'outil pour les applications mentionnées.

- L'utilisation de l'outil dans d'autres applications ou avec des accessoires différents ou mal entretenus peut considérablement augmenter le niveau d'exposition.
- La mise hors tension de l'outil et sa non-utilisation pendant qu'il est allumé peuvent considérablement réduire le niveau d'exposition.

Protégez-vous contre les effets des vibrations par un entretien correct de l'outil et de ses accessoires, en vous échauffant les mains et en organisant vos rythmes de travail.

DESCRIPTION

Les numéros dans le texte se rapportent aux schémas des pages 2-3.

1. Poignée
2. Interrupteur marche/arrêt
3. Bouton de verrouillage
4. Cordon d'alimentation
5. Poignée auxiliaire
6. Échelle de graduation de l'angle du biseau
7. Boulon de fixation pour l'angle du biseau
8. Repère de coupe, 45°
9. Repère de coupe, 0°
10. Boulon de fixation pour le guide parallèle
11. Port d'extraction des poussières
12. Levier pour rétracter le carter inférieur
13. Carter supérieur
14. Carter supérieur
15. Boulon de fixation
16. Bride de fixation
17. Semelle
18. Lame de la scie
19. Verrouillage de l'axe
20. Levier pour le réglage de la profondeur
21. Échelle de graduation pour le réglage de la profondeur
22. Guide parallèle
23. Vis des balais de charbon

3. MONTAGE



Avant le montage, mettez toujours la machine hors tension et débranchez la fiche de la prise secteur.

Remplacer la lame de scie (Fig. A, B)



Portez des gants de protection pour installer la lame de scie. Risque de blessure en cas de contact avec la lame.



N'utilisez que des lames de scie correspondant aux caractéristiques mentionnées dans les instructions d'utilisation.



N'utilisez en aucun cas des disques de meulage comme outils de coupe.

Pour remplacer la lame de scie, il est préférable de régler la profondeur à 0mm et l'angle du biseau à 0°. La machine peut ensuite être posée sur le côté, sur le bloc-moteur et la semelle.

Retirer la lame de scie

1. Maintenez enfoncé le bouton de verrouillage de l'axe (19).
2. Desserrez le boulon de verrouillage (15) à l'aide de la clé à six pans fournie, en tournant dans le sens inverse des aiguilles d'une montre.
3. Retirez le boulon de fixation (15) et la bride de fixation (16).
4. Rétractez le carter inférieur (14) en utilisant le levier (12) et retirez la lame de scie.

Installer la lame de scie

1. Nettoyez la lame de scie et toutes les pièces de fixation devant être assemblées.
2. Rétractez le carter inférieur (14) en utilisant le levier (12) et installez la lame de scie. Assurez-vous que la flèche sur la lame de scie coïncide avec la flèche sur le carter inférieur (14).
3. Installez la bride de fixation (16). Assurez-vous que les côtés plats de la bride de fixation coïncident avec les côtés plats de l'axe de la lame. Assurez-vous également que le côté convexe de la bride de fixation soit installé vers l'extérieur.
4. Maintenez enfoncé le bouton de verrouillage de l'axe (19).
5. Installez le boulon de verrouillage (15) à l'aide de la clé à six pans fournie, en tournant dans le sens des aiguilles d'une montre.

Installer le guide parallèle (Fig. D)

1. Desserrez le boulon de fixation pour le guide parallèle (10).
2. Installez le guide parallèle (22) sur la semelle (17).
3. Réglez la largeur de coupe voulue à l'aide de l'échelle de graduation du guide parallèle (22) et le repère de coupe sur la semelle (17). Le repère à 45° (8) indique la position de la lame de scie pour les coupes à 45°. Le repère à 0° (9) indique la position de la lame de scie pour les coupes à angle droit.
4. Serrez boulon de fixation (10).

4. FONCTIONNEMENT

Allumer et éteindre la machine (Fig. A,B)

- Pour démarrer la machine, maintenez le bouton de verrouillage (3) enfoncé et appuyez sur l'interrupteur Marche/Arrêt (2).
- Pour éteindre la machine, relâchez l'interrupteur Marche/Arrêt (2).

Réglage de l'angle de biseau (Fig. A, B)

Le repère de coupe 0° (9) indique la position de la lame de scie pour les coupes droites. Le repère de coupe à 45° (8) indique la position de la lame de scie pour les coupes à 45°.

1. Desserrer le boulon de fixation (7).
2. Réglez la Semelle (17) dans la position souhaitée (0° - 45°). L'angle de sciage (biseau) peut être lu sur l'échelle de graduation (6).
3. Serrez le boulon de fixation (7).

Réglage de la profondeur de coupe (Fig. C)

1. Desserrer le levier pour le réglage de la profondeur (20).
2. Déplacez la Semelle (17) dans la position souhaitée. La profondeur de sciage peut être lue sur l'échelle de graduation (21).
3. Serrer le levier pour le réglage de la profondeur (20).

Utilisation optimale

- Bloquer la pièce à travailler de sorte que les deux mains soient libres pour tenir et manier la scie circulaire.
- Mettre la scie à circulaire en marche et placer la plaque de fond sur la pièce à travailler.
- Avancer lentement sur la ligne de sciage dessinée auparavant en appuyant doucement sur la scie à circulaire.
- Pousser solidement la plaque de fond contre la pièce à travailler. Si cela n'est pas fait, on risque fort de faire vibrer la scie à circulaire et de faire se casser rapidement la lame à scie.
- Laisser faire le travail à la scie. Ne pas pousser trop fort contre la scie à découper.

5. ENTRETIEN



Debranchez toujours la machine du secteur avant d'effectuer toute opération de maintenance.

Nettoyez le corps de la machine régulièrement au moyen d'un chiffon doux, de préférence après chaque utilisation. Vérifiez que les ouvertures d'aération ne sont pas obstruées ni sales. Utilisez un chiffon doux légèrement humidifié avec de la mousse de savon pour nettoyer les taches persistantes. N'utilisez pas de produits de nettoyage tels que l'essence, l'alcool, l'ammoniac, etc.; ces produits peuvent endommager les parties synthétiques.

ENVIRONNEMENT



Les équipements électroniques ou électriques défectueux ou destinés à être mis au rebut doivent être déposés aux points de recyclage appropriés.

Uniquement pour les pays de l'UE

Ne jetez pas les outils électriques avec les déchets domestiques. Selon la Directive européenne 2012/19/CE relative aux déchets d'équipements électriques et électroniques et sa mise en œuvre dans le droit national, les outils électriques hors d'usage doivent être collectés séparément et mis au rebut de manière écologique.

GARANTIE

Les produits VONROC sont développés aux plus hauts standards de qualité et ils sont garantis contre les défauts de pièces et de main d'oeuvre pendant la durée légale stipulée à partir de la date d'achat d'origine du produit. En cas d'une quelconque panne du produit pendant cette durée qui serait due à un défaut matériel et/ou de main d'oeuvre, contactez directement VONROC.

Les circonstances suivantes ne sont pas prises en charge par la garantie:

- Des réparations ou altérations ont été effectuées ou tentées sur la machine par un centre de réparation non agréé.
- L'usure normale.
- L'outil a été maltraité, mal utilisé ou mal entretenu.
- Des pièces détachées non d'origine ont été utilisées.

Ceci constitue l'unique garantie accordée par la société explicitement ou implicitement. Il n'existe aucune autre garantie, explicite ou implicite, qui peut s'étendre au delà du contenu ici présent, y compris les garanties marchandes ou d'adaptation à des fins particulières. En aucun cas VONROC ne sera tenu responsable de dommages accidentels ou consécutifs. Les solutions proposées par les revendeurs devront se limiter à la réparation ou le remplacement des éléments ou pièces non conformes.

Le produit et le manuel d'utilisation sont sujets à modifications. Les spécifications peuvent changer sans préavis.

1. INSTRUCCIONES DE SEGURIDAD

Lea las advertencias de seguridad, las advertencias de seguridad adicionales y las instrucciones adjuntas. De no respetarse las advertencias de seguridad y las instrucciones, podrían producirse descargas eléctricas, incendios y/o lesiones graves. Conserve las advertencias de seguridad y las instrucciones para su posterior consulta.

Los siguientes símbolos se utilizan en el manual de usuario o en el producto:



Lea el manual de usuario.



Denota riesgo de lesiones personales, pérdida de vida o daños a la herramienta en caso de incumplimiento de las instrucciones del presente manual.



Riesgo de choque eléctrico.



Saque inmediatamente el enchufe de alimentación de red si el cable de red está dañado y cuando realice operaciones de limpieza y mantenimiento.



Máquina de clase II - Doble aislamiento - No necesita enchufe con puesta a tierra.



Mantenga a terceros, especialmente a niños y mascotas, a una distancia superior a 10 m.



Lleve gafas de seguridad.



Lleve protección auditiva.



Lleve una máscara antipolvo.



Tenga en cuenta las dimensiones de la hoja de sierra. El diámetro del orificio debe calzar en el husillo de la herramienta sin hacer juego. Si es necesario utilizar reductores, compruebe que las dimensiones del reductor sean adecuadas para el espesor de la hoja de la base, para el diámetro del orificio de la hoja

de la sierra y para el diámetro del husillo de la herramienta. Siempre que sea posible, utilice los reductores suministrados con la hoja de la sierra. El diámetro de la hoja de la sierra debe coincidir con la información especificada en el símbolo.



¡Área de peligro! Mantenga las manos alejadas (10 cm) del área de corte cuando la máquina está en funcionamiento. Peligro de lesiones al entrar en contacto con la hoja de la sierra.



No tire el producto en contenedores no apropiados.



El producto es conforme con las normas de seguridad vigentes en las Directivas Europeas.

INSTRUCCIONES GENERALES DE SEGURIDAD



PRECAUCIÓN! Lea todas las advertencias de seguridad y todas las instrucciones. Si no lo hace, el uso indebido puede acarrear cortocircuitos, fuego o lesiones graves.

Conserve estas instrucciones.

El término "herramienta eléctrica", en todas las advertencias enumeradas a continuación se refiere a su herramienta eléctrica (i nalámbrica) que funciona con una batería o a través de la red eléctrica.

- 1) **Área de trabajo**
 - a) **Trabaje en un lugar limpio y bien iluminado.** Lugares no iluminados o sucios propician accidentes.
 - b) **No use herramientas eléctricas donde haya riesgo de fuego o explosión, p.ej: cerca de líquidos o gases inflamables, polvo etc.** Las herramientas eléctricas producen chispas que pueden producir la ignición de partículas de humo.
 - c) **Mantenga a los niños y otras personas alejados mientras utiliza la herramienta eléctrica.** Las distracciones pueden hacer que pierda el control de la herramienta.
- 2) **Seguridad eléctrica**
 - a) **Cerciórese de que las clavijas de la herramienta eléctrica están correctamente enchufadas.**

Nunca modifique la clavija. No utilice ningún adaptador para la clavija de una herramienta eléctrica con conexión a tierra. Las clavijas que no se hayan cambiado y los enchufes adecuados reducen el riesgo de cortocircuitos.

- b) **Evite el contacto humano con superficies con conexiones a tierra como tubos metálicos, conductos, tubos de la calefacción, radiadores y refrigeradores.** El riesgo de cortocircuitos es mayor cuando el cuerpo está en contacto con el suelo.
- c) **No use herramientas eléctricas bajo la lluvia o en entornos húmedos.** Si entra agua en una herramienta eléctrica aumenta el riesgo de cortocircuito.
- d) **No utilice el cable para todo. Nunca utilice el cable para mover la máquina, empujarla o sacar la clavija del enchufe. Mantenga el cable alejado del calor, aceite, zonas cortantes o piezas en movimiento.** Los cables dañados o enredados aumentan el riesgo de cortocircuito.
- e) **Use un cable alargador impermeable adecuado para exteriores cuando trabaje con la herramienta eléctrica al aire libre.**

El riesgo de cortocircuito es menor si utiliza un cable alargador adecuado para exteriores.

- f) **Si no se puede evitar el uso de la herramienta eléctrica en un lugar húmedo, use suministro protegido mediante dispositivo diferencial residual (DDR).** El uso de un DDR reduce el riesgo de choque eléctrico.
- h) **No permita que la familiaridad adquirida con el uso frecuente de las herramientas le haga confiarse e ignorar los principios de seguridad de las herramientas.** Una acción descuidada puede causar lesiones graves en una fracción de segundo.

3) Seguridad personal

- a) **No se descuide, preste atención a lo que está haciendo y utilice el sentido común mientras trabaje con esta herramienta. No use herramientas eléctricas cuando esté cansado o esté bajo los efectos del alcohol, las drogas o los medicamentos.** Un momento de distracción, mientras utilice la herramienta eléctrica, puede provocar lesiones personales graves.
- b) **Use equipo de protección individual. Use siempre gafas protectoras.** El uso en condiciones apropiadas del equipo de seguridad como por ejemplo: mascarilla antipolvo, zapatos antideslizantes de seguridad, casco o protección para los oídos, disminuye el riesgo de sufrir lesiones personales.

- c) **Evite arranques involuntarios. Asegúrese de que el interruptor está en la posición de apagado antes de conectarlo a la fuente de electricidad.** Transportar herramientas eléctricas con el dedo puesto sobre el interruptor o enchufarlas con el interruptor encendido puede causar accidentes.
 - d) **Quite cualquier llave de ajuste antes de encender la herramienta eléctrica.** Una llave olvidada junto a una pieza móvil de la herramienta eléctrica puede provocar lesiones personales graves.
 - e) **No se estire demasiado. Mantenga siempre el equilibrio y tenga los pies en el suelo.** Esto permite un mayor control de la herramienta eléctrica en situaciones inesperadas.
 - f) **Vístase apropiadamente. No lleve prendas holgadas o joyas. Mantenga su pelo, ropa y guantes alejados de las piezas móviles.** Las prendas holgadas, las joyas y el pelo largo pueden quedar atrapados en las piezas móviles.
 - g) **Si se han suministrado dispositivos para la extracción y recogida de polvo asegúrese de que estos estén conectados y se utilicen correctamente.** El uso de estos dispositivos puede reducir los riesgos relacionados con el polvo.
 - h) **Mantenga las asas y las superficies de agarre secas, limpias y libres de aceite y grasa.** Las asas y las superficies de agarre resbaladizas no permiten un manejo y control seguros de la herramienta en situaciones inesperadas.
- ### 4) Utilización y cuidados de la herramienta eléctrica
- a) **No fuerce la herramienta eléctrica. Utilice la herramienta eléctrica adecuada para el trabajo que vaya a realizar.** Una herramienta eléctrica apropiada realizará un trabajo mejor y más seguro si se utiliza para el objetivo con el que ha sido diseñada.
 - b) **No use herramientas que no pueden encenderse o apagarse con el interruptor.** Las herramientas que ya no se puedan encender y apagar son peligrosas y deben repararse.
 - c) **Desenchufe la clavija de la toma de electricidad antes de realizar modificaciones, cambiar accesorios o guardar las herramientas eléctricas.** Tales medidas de seguridad preventivas reducen el riesgo de la puesta en marcha accidental.
 - d) **Mantenga a los niños alejados de una herramienta eléctrica sin utilizar y no permita a personas que no estén familiarizadas con la máquina o estas instrucciones utilizar la herramienta.** La herramienta eléctrica puede ser peligrosa cuando

- la utilicen personas sin experiencia.
- e) **Conserve sus herramientas cuidadosamente. Verifique cualquier desalineación o agarrotamiento de piezas móviles, piezas dañadas y cualquier otra causa, que pudiera repercutir en el buen funcionamiento de la herramienta eléctrica. Si la herramienta está estropeada, repárela antes de utilizarla.** Muchos de los accidentes están causados por un mantenimiento insuficiente del equipo eléctrico.
- f) **Mantenga las herramientas de corte limpias y afiladas.** Sierras con esquinas cortantes con un buen mantenimiento se bloquean menos y son más fáciles de controlar.
- g) **Utilice la herramienta eléctrica, accesorios y brocas etc. Siguiendo las instrucciones atendiendo al tipo de herramienta eléctrica y tenga en cuenta las condiciones de trabajo y el tipo de trabajo que se va a realizar.** Puede ser peligroso realizar trabajos con la herramienta diferentes de aquellos para los que está diseñada.

5) Uso y cuidado de las herramientas alimentadas por batería

- a) **Recargue las baterías únicamente con el cargador recomendado por el fabricante.** Un cargador que es apto para un tipo de baterías determinado puede provocar riesgo de incendio si se usa para cargar otra clase de baterías.
- b) **Use las herramientas eléctricas sólo con las baterías indicadas específicamente.** El uso de otra clase de baterías diferente puede ocasionar el riesgo de derivar en lesiones o un incendio.
- c) **Cuando el paquete de baterías no esté en uso, consérvelo retirado de objetos metálicos como sujetapapeles, monedas, llaves, clavos, tornillos o cualquier otro objeto metálico pequeño que pueda hacer puente entre las terminales.** El contacto entre las terminales de la batería puede causar quemaduras o incendio.
- d) **Bajo condiciones extremas de abuso la batería podría expulsar un líquido; evite todo contacto. Si se produjese contacto accidentalmente, lávese bien con agua. Si el líquido hace contacto con los ojos, consulte también al médico.** El líquido emanado de la batería puede causar irritaciones o quemaduras.
- e) **No utilice una batería o una herramienta que esté dañada o modificada.** Las baterías dañadas o modificadas pueden presentar un comportamiento impredecible y provocar un

- incendio, una explosión o riesgo de lesiones.
- f) **No exponga una batería o una herramienta al fuego o a temperatura excesiva.** La exposición al fuego o a temperaturas superiores a 130 °C puede provocar una explosión. NOTA La temperatura "130 °C" puede sustituirse por la temperatura "265 °F".
- g) **Siga todas las instrucciones de carga y no cargue la batería o la herramienta fuera del rango de temperatura especificado en las instrucciones.** La carga incorrecta o a temperaturas fuera del rango especificado puede causar daños a la batería y aumentar el riesgo de incendio.

6) Servicio

- a) **Haga reparar su herramienta eléctrica por una persona cualificada, usando solo piezas de repuesto idénticas.** Esto garantiza que se mantenga la seguridad de la herramienta eléctrica.
- b) **Nunca repare las baterías dañadas.** El mantenimiento de las baterías debe ser realizado solo por el fabricante o los proveedores de servicio autorizados.

ADVERTENCIAS DE SEGURIDAD PARA SIERRAS CIRCULARES

Métodos de aserrado

- **Advertencia: Mantenga las manos alejadas del área de corte y de la hoja.** Mantenga la segunda mano en la empuñadura auxiliar o sobre la carcasa del motor. Si sujeta la sierra con las dos manos, evita el riesgo de corte.
- **No ponga la mano debajo de la pieza de trabajo.** El protector no puede protegerle de la hoja por debajo de la pieza de trabajo.
- **Ajuste la profundidad de corte de acuerdo con el espesor de la pieza de trabajo.** Por debajo de la pieza de trabajo debe verse menos de un diente completo de la dentadura de la hoja.
- **Nunca sostenga la pieza de trabajo con las manos o con la pierna durante el corte.** Fije la pieza de trabajo a una plataforma estable. Es importante sujetar bien la pieza de trabajo para minimizar el riesgo de lesiones corporales, atascamiento de la hoja o pérdida de control.
- **Aferre la herramienta eléctrica solo por las superficies de agarre aisladas cuando realice alguna operación en la que la herramienta de corte pueda entrar en contacto con cables ocultos.** El contacto con un cable bajo tensión puede exponer las partes metálicas de la herramienta a tensión y

ocasionar una descarga eléctrica al operador.

- **Para los cortes al hilo, utilice siempre una guía de corte al hilo o una guía de bordes rectos.** Esto mejora la precisión del corte y reduce la posibilidad de que la hoja se atasque.
- **Use siempre hojas con orificios del eje de tamaño y forma correcta (diamantados vs. redondos).** Las hojas que no coinciden con el orificio de montaje de la sierra se ejecutarán de forma excéntrica causando la pérdida de control.
- **Nunca utilice arandelas o tornillos de dañados o incorrectos en las hojas.** Las arandelas y los tornillos han sido diseñados especialmente para la sierra, para un óptimo rendimiento y seguridad de funcionamiento.

Causas de los contragolpes y advertencias relacionadas

- El contragolpe es una reacción repentina de la hoja de la sierra al pellizcar, engancharse o desalinearse por la que la sierra se descontrola levantándose y saliéndose de la pieza de trabajo hacia el operador.
- Cuando la hoja pellizca la placa de corte o queda apretada en la placa de corte, se para, y la reacción del motor hace que la unidad retroceda rápidamente hacia el operador.
- Si la hoja se tuerce o desalinea durante el corte, los dientes del borde posterior de la hoja pueden cavar la superficie superior de la madera haciendo que la hoja se salga de la sierra y rebote hacia el operador.
- El contragolpe se produce por mal uso y/o procedimientos de funcionamiento o condiciones incorrectos y puede evitarse tomando las debidas precauciones que se indican abajo.
- **Aferre bien la sierra con ambas manos y coloque los brazos de modo que puedan resistir a la fuerza del contragolpe.** Coloque el cuerpo a ambos lados de la hoja, pero no en línea con ella. El contragolpe puede hacer que la sierra rebote, pero el operador puede controlar la fuerza del contragolpe si adopta las medidas apropiadas.
- **Cuando la hoja se atasque o interrumpa un corte por algún motivo, suelte el gatillo y mantenga la sierra inmóvil hasta que la hoja se detenga completamente.** Nunca intente retirar la sierra de la pieza de trabajo ni tire de ella hacia atrás mientras la hoja esté en movimiento pues podría producirse un contragolpe. Investigue y tome las medidas correctivas necesarias para eliminar la causa del atascamiento del disco.

- **Al volver a arrancar la sierra en la pieza de trabajo, centre la hoja en la placa de corte y compruebe que los dientes de la sierra no se enganchen en el material.** Si la hoja de la sierra se atasca, puede subir o retroceder de la pieza de trabajo al reiniciar la sierra.
- **Proporcione un apoyo para los paneles grandes, para minimizar el riesgo de pellizco y contragolpe de la hoja.** Los paneles grandes tienden a hundirse por su propio peso. Los soportes deben colocarse debajo del panel, a ambos lados. No utilice hojas desafiladas o dañadas. Las cuchillas desafiladas o mal colocadas producen una entalladura estrecha que causa fricción excesiva, atascamiento de la hoja y contragolpes.
- **Las palancas de bloqueo de ajuste de profundidad y de bisel de la hoja deben estar firmes y bien apretadas antes de realizar el corte.** Si el ajuste de la hoja se desplaza durante el corte, pueden producirse atascamientos y contragolpes.
- **Adopte precauciones adicionales cuando haga un corte en paredes existentes u otras áreas ciegas.** Si la hoja sobresale, puede cortar objetos que pueden causar un contragolpe.

Función del protector inferior

- **Antes de cada uso, compruebe que el protector inferior esté bien cerrado.** No opere la sierra si el protector inferior no se mueve libremente y no se cierra instantáneamente. Nunca sujete o ate el protector inferior en posición abierta. Si la sierra se cae accidentalmente, el protector inferior puede doblarse. Levante el protector inferior con el mango retráctil y compruebe que se mueva libremente y que no toque la hoja ni ninguna otra pieza, en todos los ángulos y profundidades de corte.
- **Compruebe el funcionamiento del resorte del protector inferior. Si el resguardo y el resorte no funcionan correctamente, hay que repararlos antes de volver a usar la sierra.** El protector inferior puede funcionar lentamente debido a piezas dañadas, depósitos gomosos o acumulación de residuos.
- **El protector inferior se puede retraer manualmente solo para cortes especiales tales como “cortes de inmersión y cortes angulares”.** Levante el protector inferior replegando la empuñadura apenas la hoja entre en el material,

y suelte el protector inferior. Para todas las demás operaciones de aserrado, el protector inferior debe funcionar en modo automático.

- **Controle siempre que el protector inferior cubra la hoja antes de apoyar la sierra en el banco o en el suelo.** Una hoja desprotegida que siga moviéndose hacia adelante hace que la sierra avance cortando todo lo que encuentre en su camino. Tenga en cuenta el tiempo que tarda en detenerse la cuchilla después de soltar el interruptor.

ADVERTENCIAS DE SEGURIDAD ADICIONALES

- **No introduzca las manos en el expulsor de virutas.** Las piezas giratorias pueden causarle una lesión.
- **No trabaje a una altura por encima de la cabeza con la sierra.** Si lo hace, no tendrá suficiente control sobre la herramienta eléctrica.
- **Use detectores apropiados para determinar si hay líneas de servicios ocultas en el área de trabajo o llame a la compañía de servicios local para obtener ayuda.** El contacto con las líneas eléctricas puede causar incendios y descargas eléctricas. Si se daña un tubo de gas, se puede provocar una explosión. Si se penetra en una línea de agua, se pueden causar daños a la propiedad.
- **No utilice la herramienta eléctrica de forma estacionaria.** No ha sido diseñada para funcionar con una mesa de sierra.
- **No utilice hojas de sierra de acero rápido (HSS).** Este tipo de hojas de sierra se rompen fácilmente.
- **No corte metales ferrosos.** Las astillas calentadas al rojo pueden encender la extracción de polvo.
- **Cuando trabaje con la máquina, sujétela siempre bien con ambas manos y adopte una postura firme.** La herramienta eléctrica se guía de modo más seguro con ambas manos.
- **Inmovilice la pieza de trabajo.** Una pieza de trabajo fijada con dispositivos de fijación o en un tornillo de banco se sujeta de forma más segura que con la mano.
- **Espere siempre a que la máquina se detenga completamente antes de soltarla.** El inserto de la herramienta puede atascarse y causar la pérdida de control de la herramienta eléctrica.
- **Las sierras circulares han sido diseñadas para cortar madera o productos semejantes, pero no pueden utilizarse con discos de corte abrasivos para cortar materiales ferrosos tales como barras, varillas, pernos, etc.** El polvo abrasivo hace que las piezas móviles como el protector inferior

se atasquen. Las chispas que produce el corte abrasivo pueden encender el protector inferior, la placa de corte y otras piezas plásticas.

- **Utilice solo hojas de sierra que tengan indicada una velocidad igual o superior a la velocidad indicada en la máquina.**
- **Utilice solo hojas de sierra que se ajusten a las especificaciones de este manual de instrucciones y que hayan sido probadas y marcadas de acuerdo con la norma EN 847-1.**

2. INFORMACIÓN DE LA MÁQUINA

Uso previsto

Esta sierra circular está diseñada para el corte longitudinal, transversal y biselado de madera, mientras mantiene la placa de base apoyada firmemente sobre la pieza de trabajo. No está permitido cortar plásticos o metales. La herramienta eléctrica con la hoja de sierra equipada está diseñada con capacidad suficiente para cortar madera dura y blanda, así como aglomerado y tablero de fibra. La hoja de sierra no está diseñada para cortar leña. No utilice la sierra para cortar materiales distintos a los especificados en el manual.

Modelo n.º	CS502AC
Tensión	230-240 V~
Frecuencia	50 Hz
Potencia nominal	1200 W
No. revoluciones sin carga	5500/min.
Potencia de sierra	Ø185x Ø20x2.4mm
Capacidad de corte 0°	65mm
Capacidad de corte 45°	43mm
Clase IP	IP20
Pesa	3.47 kg
Nivel de presión acústica LPA	92.8 dB(A), K=3dB(A)
Nivel de presión acústica LWA	103.8 dB(A), K=3dB(A)
Vibración	3.201 m/s ² K=1.5 m/s ²

Nivel de vibración

El nivel de emisión de vibraciones indicado en este manual de instrucciones ha sido medido según una prueba estándar proporcionada en EN 62841-pue-

de utilizarse para comparar una herramienta con otra y como valoración preliminar de la exposición a las vibraciones al utilizar la herramienta con las aplicaciones mencionadas.

- al utilizarla para distintas aplicaciones o con accesorios diferentes o con un mantenimiento deficiente, podría aumentar de forma notable el nivel de exposición.
- en las ocasiones en que se apaga la herramienta o cuando está funcionando pero no está realizando ningún trabajo, se podría reducir el nivel de exposición de forma importante.

Protéjase contra los efectos de la vibración realizando el mantenimiento de la herramienta y sus accesorios, manteniendo sus manos calientes y organizando sus patrones de trabajo.

DESCRIPCIÓN

Los números del texto se refieren a los diagramas de las páginas 2-3.

1. Mango
2. Interruptor de Encendido/Apagado
3. Botón de bloqueo
4. Cable de alimentación
5. Empuñadura auxiliar
6. Escala para ángulo de bisel
7. Perno de sujeción para ángulo de bisel
8. Marca de corte, 45°
9. Marca de corte, 0°
10. Perno de sujeción para guía paralela
11. Conexión para la extracción de polvo
12. Palanca de retracción del protector inferior
13. Protector superior
14. Protector inferior
15. Perno de sujeción
16. Brida de sujeción
17. Placa de base
18. Tapa frontal extraíble
19. Botón del husillo
20. Palanca de ajuste de profundidad
21. Escala de ajuste de profundidad
22. Guía paralela
23. Tornillo de la escobilla de carbón

3. MONTAJE



Antes del montaje, apague siempre la máquina y extraiga el enchufe de la red de alimentación.

Sustitución de la hoja de la sierra (Fig. A, B)



Cuando monte la hoja de la sierra, use guantes protectores. Peligro de lesiones al tocar la hoja de la sierra.



Utilice únicamente hojas de sierra que correspondan con los datos de las características indicados en las instrucciones de funcionamiento.



No utilice en ningún caso discos abrasivos como herramienta de corte.

Para sustituir la hoja de la sierra, lo mejor es ajustar la profundidad en 0 mm y el ángulo de bisel en 0°. Después puede colocar la máquina de lado, apoyada en el alojamiento del motor y la placa de base.

Desmontar la hoja de la sierra

1. Pulse y mantenga pulsado el botón de bloqueo del husillo (19).
2. Afloje el tornillo de sujeción (15) con la llave hexagonal suministrada, girando en sentido antihorario.
3. Quite el tornillo de sujeción (15) y la brida de sujeción (16).
4. Retire el protector inferior (14) con la palanca (12) y saque la hoja de la sierra.

Montar la hoja de la sierra

1. Limpie la hoja de la sierra y todas las piezas de sujeción que vaya a montar.
2. Retire el protector inferior (14) con la palanca (12) y coloque la hoja de la sierra. Compruebe que la flecha de la hoja de la sierra coincida con la flecha del protector inferior (14).
3. Montar la brida de sujeción (16). Compruebe que los lados planos de la brida de sujeción coincidan con los lados planos del eje de la hoja. Compruebe también que el lado convexo de la brida de sujeción esté montado hacia el exterior.
4. Pulse y mantenga pulsado el botón de bloqueo del husillo (19).
5. Coloque el tornillo de sujeción (15) con la llave hexagonal suministrada, girando en sentido horario.

Colocación de la guía paralela (Fig. D)

1. Afloje el perno de sujeción (10).
2. Coloque la guía paralela (22) en la placa de base (17).
3. Ajuste el ancho de corte deseado utilizando la escala de la guía paralela (22) y la marca de corte de la placa de base (17). La marca de corte de 45° (8) indica la posición de la hoja de la sierra para cortes en ángulo de 45°. La marca de corte de 0° (9) indica la posición de la hoja de la sierra para cortes en ángulo recto.
4. Apriete el perno de sujeción (10).

4. FUNCIONAMIENTO**Encendido y apagado de la máquina (Fig. A,B)**

- Para encender la máquina, mantenga pulsado el botón de desbloqueo (3) y pulse el interruptor de Encendido/Apagado (2).
- Para parar la máquina, suelte el interruptor de encendido/apagado (2).

Ajuste de ángulos de bisel (Fig. A, B)

La marca de corte de 0° (9) indica la posición de la hoja de la sierra para cortes rectos. La marca de corte de 45° (8) indica la posición de la hoja de la sierra para cortes a 45°.

1. Afloje el perno de sujeción (7).
2. Ajuste la placa de base (17) en la posición deseada (0°- 45°). El ángulo de corte (bisel) se puede leer en la escala (6).
3. Apriete el perno de sujeción (7).

Ajuste de la profundidad de corte (Fig. C)

1. Afloje el palanca de ajuste de profundidad (20).
2. Coloque la placa de base (17) en la posición deseada. La profundidad de corte se puede leer en la escala (21).
3. Apriete el palanca de ajuste de profundidad (20).

Uso óptimo

- Sujete la pieza de trabajo con unas abrazaderas o unas mordazas, y así tener las dos manos libres para utilizar la sierra.
- Encienda la sierra y coloque la placa inferior sobre la pieza de trabajo.
- Desplace lentamente la sierra hacia la línea de corte trazada previamente y presione lentamente la herramienta hacia adelante.

- Presione bien la placa inferior contra la pieza de trabajo, de lo contrario, la sierra circular puede empezar a vibrar haciendo que la hoja se rompa más fácilmente.
- Deje que la sierra haga el trabajo. No ejerza una presión excesiva sobre la sierra circular.

5. MANTENIMIENTO

Antes de realizar la limpieza y el mantenimiento, apague siempre la máquina y extraiga el enchufe de la red de alimentación.

Limpie regularmente la carcasa de la máquina con un paño suave, preferentemente después de cada uso. Compruebe que los orificios de ventilación estén libres de polvo y suciedad. Elimine el polvo persistente utilizando un paño suave humedecido con agua y jabón. No use disolventes tales como gasolina, alcohol, amoníaco, etc. Tales productos químicos pueden dañar los componentes sintéticos.

MEDIOAMBIENTE

Los aparatos eléctricos o electrónicos defectuosos y/o desechados deben recogerse en lugares de reciclado apropiado.

Solo para países de la Comunidad Europea

No elimine las herramientas eléctricas como residuos domésticos. De acuerdo con la Directiva europea 2012/19/CE sobre residuos de aparatos eléctricos y electrónicos, y su transposición a las legislaciones nacionales, las herramientas eléctricas que ya no se utilizan deben recogerse por separado y eliminarse en modo ecológico.

CONDICIONES DE GARANTÍA

Los productos VONROC han sido desarrollados con los más altos estándares de calidad y VONROC garantiza que están exentos de defectos relacionados con los materiales y la fabricación durante el periodo legalmente estipulado, a contar desde la fecha de compra original. En caso de que el producto presente defectos relacionados con los materiales y/o la fabricación durante este periodo, póngase directamente en contacto VONROC.

La presente garantía se excluye en los siguientes casos:

- Si centros de servicios no autorizados han realizado o han intentado realizar reparaciones y/o alteraciones a la máquina.
- Si se ha producido un desgaste normal.
- Si la herramienta ha sido mal tratada o usada en modo impropio, o se ha realizado incorrectamente su mantenimiento.
- Si se han utilizado piezas de repuesto no originales.

La presente constituye la única garantía implícita y explícita que ofrece la compañía. No existen otras garantías explícitas o implícitas que excedan las citadas aquí, incluidas las garantías implícitas de comerciabilidad e idoneidad para una finalidad en especial. VONROC no será considerada responsable en ningún caso por daños incidentales o consecuentes. Los recursos a disposición de los distribuidores se limitan a la reparación o a la sustitución de las unidades o piezas no conformes.

El producto y el manual de usuario están sujetos a variaciones. Las especificaciones pueden variarse sin previo aviso.

1. ISTRUZIONI DI SICUREZZA

Leggere accuratamente gli avvisi di sicurezza, gli avvisi di sicurezza aggiuntivi e le istruzioni. La mancata osservanza degli avvisi di sicurezza e delle istruzioni potrebbe causare scosse elettriche, incendio e/o gravi lesioni. Mantenere gli avvisi di sicurezza e le istruzioni a portata di mano per future consultazioni.

I seguenti simboli sono utilizzati nel presente manuale utente o sul prodotto:



Leggere il manuale per l'utente.



Denota il rischio di lesioni personali, morte o danni all'utensile in caso di mancata osservanza delle istruzioni contenute nel presente manuale.



Rischio di scosse elettriche.



Staccare immediatamente la spina del cavo di alimentazione dalla presa di corrente se il cavo è danneggiato e durante le operazioni di pulizia e di manutenzione.



Apparecchio di Classe II - Doppio isolamento - Non è necessario il collegamento a terra.



Tenere i presenti (in particolare bambini e animali domestici) a più di 10 metri di distanza.



Indossare occhiali di protezione.



Indossare protezioni per l'udito.



Indossare una mascherina anti-polvere.



Tenere in considerazione le dimensioni della lama. Il diametro del foro deve corrispondere al mandrino dell'utensile senza gioco. In caso di necessità di riduttori fare in modo che le dimensioni del riduttore siano adatte per lo spessore del mandrino di base e il diametro della lama nonché per il diametro del mandrino dell'utensile. Utilizzare se

possibile i riduttori in dotazione con la lama. Il diametro della lama deve corrispondere alle informazioni riportate sul simbolo.



Area di pericolo! Tenere le mani a debita distanza (10 cm) dall'area di taglio mentre la macchina è in funzione. Pericolo di lesioni personali in caso di contatto con la lama.



Non smaltire il prodotto in contenitori non idonei.



Il prodotto è conforme agli standard pertinenti in materia di sicurezza previsti dalla legislazione Europea.

REGOLE GENERALI DI SICUREZZA



ATTENZIONE! Leggere tutte le avvertenze di sicurezza e tutte le istruzioni. Se non si seguono tutte le istruzioni sotto elencate, si può incorrere in uno shock elettrico, in un incendio e/o in lesioni serie.

Conservare queste istruzioni.

Il termine "arnese elettrico" in tutti gli avvertimenti sotto elencati si riferisce al vostro arnese elettrico che funziona a corrente (con filo) o ad un arnese che funziona a pile (senza filo).

1) Area di lavoro

- Mantenere l'area di lavoro pulita e ben illuminata.** Aree buie e disordinate favoriscono gli incidenti.
- Non usare arnesi elettrici in atmosfere esplosive, come vicino ai liquidi infiammabili, gas o polveri.** Gli arnesi elettrici creano scintille che possono incendiare la polvere dei vapori.
- Tenere lontani bambini e altre persone mentre si accende l'arnese elettrico.** Le distrazioni possono farvi perdere il controllo.

2) Sicurezza elettrica

- Le spine dell'arnese elettrico devono andare bene per la presa di corrente. Non modificare mai la spina in alcun modo. Non usare alcun adattatore con arnesi elettrici a terra (messo a terra).** Spine non modificate che vanno bene per le prese di corrente ridurranno il rischio di shock elettrico.
- Evitare il contatto corporeo con superfici a terra come tubature, radiatori, fornelli e refrigeratori.**

C'è un rischio maggiore di shock elettrico se il vostro corpo è a terra.

- Non esporre arnesi elettrici alla pioggia o a condizioni di umidità.** Se dell'acqua penetra nell'arnese elettrico aumenterà il rischio di shock elettrico.
- Non abusare del filo. Non usare mai il filo per trasportare, spingere o staccare dalla presa l'arnese elettrico. Tenere il filo lontano da calore, olio, bordi taglienti o parti mobili.** Fili danneggiati o aggrovigliati aumentano il rischio di shock elettrico.
- Quando si accende un arnese elettrico all'aperto, usare una prolunga adatta a tale uso.** Usare un filo adatto all'uso all'aperto ridurrà il rischio di shock elettrico.
- Se non è possibile evitare l'uso di un elettrotensile in ambiente umido, usare una rete di alimentazione protetta da un interruttore differenziale (salvavita).** L'uso di un salvavita riduce il rischio di scosse elettriche.

3) Sicurezza personale

- Stare vigili e attento quando si accende un arnese elettrico. Non usare un arnese elettrico mentre si è stanco o sotto l'effetto di droghe, alcool o medicinali.** Un momento di disattenzione mentre si accendono arnesi elettrici può causare delle gravi lesioni personali.
- Usare dispositivi di protezione individuale. Indossare sempre una protezione per gli occhi.** Dispositivi di sicurezza come mascherina per la polvere, scarpe di sicurezza antiscivolo, casco, o protezioni per le orecchie usate nelle appropriate condizioni, ridurranno le lesioni personali.
- Prevenire l'avvio accidentale. Assicurarsi che l'interruttore sia spento prima di collegarsi.** Trasportare elettrotensili tenendo il dito sull'interruttore di accensione o dare corrente ad elettrotensili con l'interruttore acceso può dare luogo a incidenti.
- Rimuovere ogni chiave regolatrice o chiave per dadi prima di accendere l'arnese elettrico.** Una chiave per dadi o una chiave lasciata attaccata ad una parte rotante dell'arnese elettrico può provocare lesioni personali.
- Cercare di mantenere l'equilibrio. Mantenere sempre un punto d'appoggio appropriato.** Questo consente un controllo migliore dell'arnese elettrico in situazioni inaspettate.

- f) **Vestirsi adeguatamente. Non indossare vestiti larghi o gioielli. Tenere lontano capelli, vestiti e guanti dalle parti mobili.** Vestiti larghi, gioielli o capelli lunghi possono essere presi nelle parti mobili.
- g) **Se vengono forniti dispositivi per la connessione dell'estrazione della polvere e attrezzature di raccolta, assicurarsi che questi siano collegati e usati correttamente.** L'uso di questi dispositivi può ridurre i rischi correlati alla polvere.
- h) **Non lasciare che la confidenza acquisita dall'uso frequente induca l'utilizzatore ad assumere comportamenti imprudenti e a ignorare i principi di sicurezza per l'utensile.** Una semplice distrazione può provocare gravi lesioni personali in una frazione di secondo.
- 4) Uso e manutenzione dell'arnese elettrico**
- a) **Non forzare l'arnese elettrico. Usare l'arnese elettrico corretto per il vostro impiego.** L'arnese elettrico corretto farà il lavoro meglio e in maniera più sicura alla velocità per la quale è stato progettato.
- b) **Non usare l'arnese elettrico se l'interruttore non si accende o non si spegne.** Ogni arnese elettrico che non può essere controllato con l'interruttore è pericoloso e deve essere riparato.
- c) **Scollegare la spina dalla sorgente di elettricità prima di fare qualsiasi regolazione, cambiare gli accessori, o conservare arnesi elettrici.** Tali misure di sicurezza preventive riducono il rischio di accendere l'arnese elettrico accidentalmente.
- d) **Conservare gli arnesi elettrici inattivi fuori dalla portata dei bambini e non permettere a persone che non hanno confidenza con l'arnese elettrico o con queste istruzioni di usare l'arnese elettrico.** Gli arnesi elettrici sono pericolosi per utenti inesperti.
- e) **Mantenere gli arnesi elettrici. Controllare il non allineamento o l'attacco di parti mobili, la rottura di parti ed ogni altra condizione che può influire sul funzionamento degli arnesi elettrici. Se è danneggiato, far riparare l'arnese elettrico prima dell'uso.** Molti incidenti sono causati da arnesi elettrici mantenuti male.
- f) **Mantenere gli arnesi da taglio affilati e puliti.** È meno probabile che si attacchino degli arnesi da taglio mantenuti correttamente con tagli affilate e questi sono anche più facili da controllare.
- g) **Usare l'arnese elettrico, gli accessori e le parti dell'arnese ecc, secondo queste istruzioni e nel modo pensato per il particolare tipo di arnese elettrico, tenendo conto delle condizioni di lavoro e del lavoro da svolgere.** L'uso dell'arnese elettrico per operazioni diverse da quelle pensate potrebbe causare situazioni pericolose.
- h) **Mantenere le impugnature e le superfici di presa asciutte, pulite e libere da olio e grasso.** Impugnature e superfici di presa scivolose non consentono di maneggiare e controllare in sicurezza l'utensile in situazioni impreviste.
- 5) Uso e manutenzione dell'utensile a batteria**
- a) **Ricaricare l'apparecchio esclusivamente con il caricabatterie specificato dal fabbricante.** Se si utilizza un caricabatterie di diverso tipo potrebbero verificarsi incendi.
- b) **Utilizzare gli utensili elettrici solo con i pacchi batterie appositamente prescritti.** L'uso di pacchi batterie di diverso tipo aumenta il rischio di infortunio o incendio.
- c) **Quando il pacco batterie non è in uso, tenerlo lontano da oggetti metallici quali fermagli, monete, chiavi, chiodi, viti o altri piccoli oggetti metallici che potrebbero mettere in collegamento i due poli.** Se i poli vengono messi in corto circuito, la batteria potrebbe emettere scintille o fiammate.
- d) **In condizioni di uso scorretto, la batteria potrebbe emettere liquido: evitare pertanto di entrarvi in contatto. In caso di contatto accidentale, risciacquare con acqua. Se il liquido entra a contatto con gli occhi, consultare immediatamente un medico.** Il liquido emesso dalla batteria può causare irritazioni o ustioni.
- e) **Non utilizzare un pacco batterie o l'utensile se danneggiati o manomessi.** Pacchi batterie danneggiati o manomessi potrebbero avere comportamenti imprevedibili con il rischio di incendiarsi, esplodere o provocare lesioni a persone.
- f) **Non esporre un pacco batterie o l'utensile alle fiamme o a temperature eccessivamente elevate.** L'esposizione alle fiamme o a temperature superiori a 130 °C potrebbe provocare un'esplosione. NOTA: la temperatura di "130 °C" corrisponde a "265 °F".
- g) **Seguire tutte le istruzioni per la ricarica e non caricare il pacco batterie o l'utensile a temperature che non rientrino nell'intervallo specificato nelle istruzioni.** Se si effettua la ricarica in modo improprio o a temperature non comprese nell'intervallo specificato, il pacco batterie potrebbe subire danni e potrebbe aumentare il rischio di incendi.

6) Riparazione

- a) **L'assistenza per l'elettrotensile deve essere prestata da un tecnico qualificato che utilizzi soltanto ricambi originali.** In questo modo viene garantita la sicurezza dell'elettrotensile.
- b) **Non tentare di riparare pacchi batterie danneggiati.** La riparazione dei pacchi batteria deve essere effettuata esclusivamente dal produttore o presso centri di assistenza autorizzati.

AVVERTENZE DI SICUREZZA PER LE SEGHE CIRCOLARI

Metodi di segatura

- **Avvertenza: Tenere le mani distanti dall'area di taglio e dalla lama.** Tenere l'altra mano sul manico ausiliario o il corpo del motore. Se entrambe le mani afferrano la sega, non possono tagliarsi mediante la lama.
- **Non sporgersi al di sotto del pezzo in lavorazione.** La protezione non può proteggere l'utente dalla lama sotto il pezzo da lavorare
- **Impostare la profondità di taglio in base allo spessore del pezzo da lavorare.** Dovrebbe essere visibile meno di un dente pieno della lama sotto il pezzo da lavorare.
- **Non afferrare mai il pezzo in lavorazione o tenerlo fra le gambe durante il taglio.** Fissare il pezzo in lavorazione su una piattaforma stabile. È importante sostenere il lavoro in modo adeguato riducendo al minimo l'esposizione del corpo, l'inzeppamento della lama o la perdita di controllo.
- **Quando si eseguono operazioni in cui l'utensile da taglio potrebbe entrare in contatto con fili elettrici nascosti, tenerlo esclusivamente dalle superfici di presa isolate.** Il contatto con un cavo sotto tensione trasmettono la corrente elettrica anche alle parti metalliche esposte dell'elettrotensile con il pericolo di provocare la folgorazione dell'operatore.
- **Durante lo strappo utilizzare sempre una guida parallela o una guida a regolo diritto.** Ciò migliora la precisione di taglio e riduce la possibilità di inzeppamento della lama.
- **Utilizzare sempre lame con dimensione e forma corrette (diamante rispetto a cerchio) dei fori dell'albero.** Le lame che non corrispondono alla ferramenta di montaggio della sega hanno una corsa concentrica, causando una perdita di controllo.
- **Non utilizzare mai rondelle o la vite della lama che sono danneggiate o non corrette.** Le rondelle e la vite della lama erano sviluppate specifica-

tamente per la sega al fine di un rendimento e la sicurezza ottimali per l'esercizio.

Cause per il contraccolpo e relative avvertenze

- Il contraccolpo è una reazione istantanea per una sega impigliata, legata o squilibrata durante il sollevamento del pezzo in lavorazione verso l'operatore;
- Quando la lama è impigliata o legata a causa del solco che si chiude verso il basso, la lama si blocca e la reazione del motore spinge l'unità rapidamente all'indietro verso l'operatore;
- Se la lama è attorcigliata o squilibrata nel taglio, i denti e il bordo posteriore della lama possono scavare nella parte superiore del legno causando la fuoriuscita del solco e il rimbalzo verso l'operatore.
- Il contraccolpo è il risultato di un uso errato della sega e/o di metodi o condizioni di lavoro scorretti e può essere evitato prendendo le appropriate precauzioni, come descritto di seguito.
- **Mantenere una presa ferma con entrambe le mani sulla sega e posizionare le braccia in modo da resistere alle forze del contraccolpo.** Posizionare il proprio corpo su qualsiasi lato della lama, ma non a filo con la lama. Il contraccolpo potrebbe causare il rimbalzo all'indietro della sega, tuttavia le forze del contraccolpo possono essere controllate dall'operatore, se vengono adottate le precauzioni appropriate.
- **Quando la lama si inceppa o quando un taglio si interrompe per qualsiasi ragione, rilasciare il grilletto e tenerlo immobile la sega nel materiale fino al completo arresto della lama.** Non tentare mai di rimuovere la sega dal pezzo in lavorazione o tirare all'indietro la sega mentre la lama è in movimento o potrebbe verificarsi il contraccolpo. Esaminare e intraprendere azioni correttive per eliminare le cause che inceppano la lama.
- **Durante il riavvio di una sega nel pezzo in lavorazione, centrare la lama nel solco e verificare che i denti della sega non sono inseriti nel materiale.** Se la lama è impigliata, può muoversi verso l'alto o subire un contraccolpo dal pezzo in lavorazione, quando la sega viene riavviata.
- **Sostenere i pannelli di grandi dimensioni per ridurre al minimo il rischio di impigliamento e contraccolpo della lama.** I pannelli più grandi tendono a incurvarsi sotto il loro stesso peso. I supporti devono essere posizionati sotto il pannello su ambo i lati in posizione ravvicinata

Non utilizzare lame non affilate o danneggiate. Le lame non affilate o impostate in modo non appropriato comportano un solco stretto causando una frizione eccessiva, inceppamento della lama e contraccolpo.

- **La profondità della lama e le leve di blocco dell'impostazione di inclinazione devono essere a tenuta e fissate prima di eseguire il taglio.** Se l'impostazione della lama si sposta durante il taglio, potrebbe causare l'inceppamento e il contraccolpo.
- **Prestare ancora più attenzione quando si eseguono tagli con la sega all'interno di pareti esistenti o di altre aree cieche.** La lama sporgente potrebbe tagliare oggetti che possono causare il contraccolpo.

Funzione di protezione inferiore

- **Verificare la chiusura adeguata della protezione inferiore prima dell'uso.** Non mettere in funzione la sega se la protezione inferiore non si muove liberamente e si chiude istantaneamente. Non incastrare o legare mai la protezione inferiore in una posizione aperta. Se la sega cade accidentalmente, la protezione inferiore potrebbe essere piegata. Sollevare la protezione inferiore con il manico retraibile e fare in modo che essa si muova liberamente e non tocchi la lama o qualsiasi altra parte in tutte le angolazioni e le profondità di taglio.
- **Verificare il funzionamento della molla della protezione inferiore. Se la protezione e la molla non funzionano in modo appropriato, devono essere sottoposte a manutenzione prima dell'uso.** La protezione inferiore potrebbe funzionare in modo lento a causa delle parti danneggiate, dei depositi gommosi o dello sporco accumulato.
- **La protezione inferiore potrebbe essere rientrata manualmente solamente per i tagli speciali come i "tagli a tuffo o i tagli angolari".** Sollevare la protezione inferiore facendo rientrare il manico e, non appena la lama penetra nel materiale, rilasciare la protezione inferiore. Per tutte le altre operazioni di segatura, la protezione inferiore dovrebbe funzionare automaticamente.
- **Osservare sempre che la protezione inferiore sia coperta dalla lama prima di posizionare la sega verso il basso sul banco o sul pavimento.** Una lama non protetta e accostata causa lo slittamento all'indietro della sega, tagliando qualunque cosa sulla propria traiettoria. Essere consapevoli del tempo richiesto dalla lama che si ferma dopo il rilascio dell'interruttore.

AVVERTENZE DI SICUREZZA AGGIUNTIVE

- **Non infilare le proprie mani nell'espulsore di trucioli.** Potrebbero subire lesioni a causa delle parti rotanti.
- **Non compiere lavori sopra testa con la sega.** In questo modo non si possiede un controllo sufficiente sull'elettrotensile.
- **Utilizzare rilevatori appropriati per stabilire se sono presenti fili elettrici o tubature nascosti nell'area di lavoro oppure telefonare all'azienda di erogazione locale per richiedere assistenza.** Un contatto accidentale con un filo elettrico può provocare un incendio e una scossa elettrica. Una tubatura del gas danneggiata può causare un'esplosione. La perforazione di una tubatura dell'acqua provoca danni materiali.
- **Non mettere in funzione in modo stazionario l'elettrotensile.** Esso non è sviluppato per l'esercizio con una sega da banco.
- **Non usare lame in acciaio per lavorazioni a alta velocità (HSS).** Queste lame possono rompersi facilmente. Non usare la sega su metalli ferrosi. I trucioli rossi caldi possono incendiare l'estrazione di polvere.
- **Durante il lavoro tenere saldamente la macchina con entrambe le mani e mantenere sempre un appoggio e un equilibrio adeguati.** Con entrambe le mani l'elettrotensile viene condotto in modo più sicuro.
- **Fissare il pezzo in lavorazione.** Un pezzo bloccato con dispositivi di bloccaggio o in una morsa viene tenuto fermo più saldamente che con le mani.
- **Attendere sempre che la macchina si sia arrestata completamente prima di appoggiarla.** L'utensile accessorio può incepparsi e portare alla perdita di controllo dell'elettrotensile.
- **Le seghe circolari servono per tagliare il legno o prodotti simili ad esso e non possono essere usati con ruote abrasive da taglio per tagliare materiale ferroso come barre, stanghe, bulloni, ecc.** La polvere abrasiva provoca l'inceppamento delle parti in movimento come la protezione inferiore. Le scintille dal taglio abrasivo bruciano la protezione inferiore, l'inserito del solco e altri parti in plastica.
- **Usare solo lame contrassegnate da una velocità uguale o superiore a quella riportata sulla macchina.**

- **Usare solo lame, le cui caratteristiche coincidano con quelle riportate nel manuale d'uso e che sono state testate e contrassegnate conformemente alla norma EN 847-1.**

2. INFORMAZIONI RELATIVE ALL' ELETTROUTENSILE

Uso previsto

Questa sega circolare è concepita per il taglio longitudinale, trasversale e conico del legno, mantenendo la piastra di base appoggiata saldamente sul pezzo. La segatura di materiali plastici o metalli non è consentita. L'attrezzo con la lama montata è stato progettato con una capacità sufficiente per segare legno duro e tenero, nonché truciolato e pannelli di fibre. La lama non è progettata per tagliare legna da ardere. Non utilizzare la sega per tagliare materiali diversi da quelli specificati descritti nel manuale.

Numero modello	CS502AC
Tensione	230-240 V~
Frequenza	50 Hz
Potenza assorbita	1200 W
Velocità in assenza di carico	5500/min
Dimensi lama di sega	Ø185x Ø20x2.4mm
Rendimento sega a 0°	65mm
Rendimento sega a 45°	43mm
Classe IP	IP20
Peso	3.47 kg
Livello di pressione sonora LPA	92.8 dB(A), K=3dB(A)
Livello di potenza sonora LWA	103.8 dB(A), K=3dB(A)
Vibrazioni	3.201 m/s ² K=1.5 m/s ²

Livello delle vibrazioni

Il livello di emissione delle vibrazioni indicato sul retro di questo manuale di istruzioni è stato misurato in conformità a un test standardizzato stabilito dalla norma EN 62841 questo valore può essere utilizzato per mettere a confronto un l'utensile con un altro o come valutazione preliminare di esposizione alla vibrazione quando si impiega l'utensile per le applicazioni menzionate.

- se si utilizza l'utensile per applicazioni diverse, oppure con accessori differenti o in scarse condizioni, il livello di esposizione potrebbe aumentare notevolmente.
- i momenti in cui l'utensile è spento oppure è in funzione ma non viene effettivamente utilizzato per il lavoro, possono contribuire a ridurre il livello di esposizione.

Protegersi dagli effetti della vibrazione effettuando la manutenzione dell'utensile e dei relativi accessori, mantenendo le mani calde e organizzando i metodi di lavoro.

DESCRIZIONE

I numeri che compaiono nel testo si riferiscono agli schemi riportati alle pagine 2-3.

1. Impugnatura
2. Interruttore acceso / spento
3. Pulsante di sicurezza
4. Cavo d'alimentazione
5. Impugnatura ausiliaria
6. Scala per angolo di inclinazione
7. Vite di bloccaggio per angolo di inclinazione
8. Marcatura da taglio, 45°
9. Marcatura da taglio, 0°
10. Vite di bloccaggio per guida parallela
11. Porta per aspiratore di polveri
12. Leva per la protezione inferiore retraibile
13. Protezione superiore
14. Protezione inferiore
15. Vite di bloccaggio
16. Flangia di bloccaggio
17. Piedino
18. Lama della sega
19. Blocco mandrino
20. Leva per impostazione profondità
21. Scala per impostazione profondità
22. Guida parallela
23. Vite della spazzola di carbone

3. MONTAGGIO



Prima del montaggio spegnere sempre l'elettrotensile e staccare la spina dalla presa di corrente.

Sostituzione della lama (Fig. A, B)

Per installare la lama indossare guanti di protezione. Pericolo di lesioni personali in caso di contatto con la lama.



Utilizzare esclusivamente lame che corrispondano alle caratteristiche riportate nelle istruzioni per l'uso.



Non usare in nessun caso dei dischi abrasivi come dispositivo di taglio.

Per sostituire la lama è necessario impostare la profondità a 0mm e l'angolo di inclinazione a 0°. In seguito la macchina può essere posizionata sul proprio lato, appoggiata sul corpo del motore e sul piedino.

Rimozione della lama

1. Premere il pulsante di blocco mandrino (19) e tenerlo premuto.
2. Allentare la vite di bloccaggio (15) mediante la chiave esagonale in dotazione, girandola in direzione antioraria.
3. Rimuovere la vite di bloccaggio (15) e la flangia di bloccaggio (16).
4. Rientrare la protezione inferiore (14) usando la leva (12) e rimuovendo la lama.

Installazione della lama

1. Pulire la lama e tutte le parti di bloccaggio da montare.
2. Rientrare la protezione inferiore (14) usando la leva (12) e montando la lama. Assicurarsi che la freccia sulla lama corrisponda alla freccia sulla protezione inferiore (14).
3. Montare la flangia di bloccaggio (16). Assicurarsi che i lati piatti della flangia di bloccaggio corrispondano ai lati piatti dell'albero della lama. Assicurarsi inoltre che il lato convesso della flangia di bloccaggio sia montato all'esterno.
4. Premere il pulsante di blocco mandrino (19) e tenerlo premuto.
5. Montare la vite di bloccaggio (15) mediante la chiave esagonale in dotazione, girandola in direzione oraria.

Fissaggio della guida parallela (Fig. D)

1. Allentare la vite di bloccaggio per guida parallela (10).

2. Montare la guida parallela (22) sul piedino (17).
3. Impostare la profondità di taglio desiderata mediante la scala sulla guida parallela (22) e sulla marcatura di taglio sul piedino (17). La marcatura di taglio a 45° (8) indica la posizione della lama per tagli a 45°. La marcatura di taglio a 0° (9) indica la posizione della lama per tagli ortogonali.
4. Serrare la vite di bloccaggio (10).

4. FUNZIONAMENTO**Accensione e spegnimento della macchina (Fig. A, B)**

- Per accendere la macchina tenere premuto il pulsante di sicurezza (3), quindi premere l'interruttore di accensione/spegnimento (2).
- Per arrestare la macchina rilasciare l'interruttore di accensione/spegnimento (2).

Regolazione degli angoli di taglio inclinato (Fig. A, B)

La marcatura di taglio a 0° (9) indica la posizione della lama per tagli dritti. La marcatura di taglio a 45° (8) indica la posizione della lama per tagli a 45°.

1. Allentare la vite di bloccaggio (7).
2. Impostare il piedino (17) nella posizione desiderata (0°- 45°). La profondità della sega (inclinazione) può essere letta sulla scala (6).
3. Serrare la vite di bloccaggio (7).

Impostazione della profondità di taglio (Fig. C)

1. Allentare la leva per impostazione profondità (20).
2. Spostare il piedino (17) nella posizione desiderata. La profondità della sega può essere letta sulla scala (21).
3. Serrare la leva per impostazione profondità (20).

Utilizzo ottimale

- Fissare il pezzo in lavorazione con morsetti o in una morsa per tenere entrambe le mani libere per l'utilizzo della sega.
- Mettere in funzione la sega e posizionare la piastra di fondo sul pezzo in lavorazione.
- Spostare lentamente la sega verso la linea di taglio precedentemente disegnata e premere lentamente l'utensile in avanti.
- Premere con forza la piastra di fondo sul pezzo in lavorazione, altrimenti la sega circolare potrebbe iniziare a vibrare, cosicché la lama è più soggetta alla rottura.

- Lasciare che sia la macchina a svolgere il lavoro. Non applicare una pressione eccessiva sulla sega circolare.

5. MANUTENZIONE



Prima di eseguire qualsiasi operazione di pulizia e intervento di manutenzione spegnere sempre l'elettrotensile e staccare la spina dalla presa di corrente.

Pulire regolarmente il corpo dell'elettrotensile con un panno morbido, preferibilmente dopo ogni uso. Assicurarsi che le prese d'aria siano libere da polvere e sporcizia. Rimuovere lo sporco particolarmente ostinato con un panno morbido inumidito con acqua e sapone. Non utilizzare solventi come benzina, alcol, ammoniaca, ecc. Le sostanze chimiche di questo tipo danneggiano i componenti sintetici.

RISPETTO AMBIENTALE



Le apparecchiature elettriche o elettroniche difettose e/o scartate devono essere raccolte presso gli opportuni siti di riciclaggio.

Solo per i Paesi CE

Non smaltire gli elettrotensili insieme ai rifiuti domestici. Secondo la Direttiva europea 2012/19/ EC sui rifiuti delle apparecchiature elettriche ed elettroniche e relativa implementazione nelle normative locali, gli elettrotensili ormai inutilizzabili devono essere raccolti separatamente e smaltiti in modo ecologico.

DEFINIZIONI DELLA GARANZIA

I prodotti VONROC sono sviluppati secondo i più elevati standard di qualità e viene garantita l'assenza di difetti nei materiali e nella manodopera per il periodo contrattuale a partire dalla data di acquisto originale. Qualora il prodotto dovesse subire un guasto qualsiasi durante questo periodo a causa di difetti nei materiali e/o nella manodopera, si prega di contattare direttamente il VONROC.

Le seguenti circostanze sono escluse da questa garanzia:

- Riparazioni e/o modifiche alla macchina sono state eseguite o tentate da centri di assistenza non autorizzati.

- Normale usura.
- L'utensile è stato abusato, utilizzato o manutenu-
to in modo improprio.
- Sono state utilizzate parti di ricambio non originali.

Ciò costituisce l'unica garanzia espressa o implicita fornita dall'azienda. Non esistono altre garanzie es-
presse o implicite che si estendono oltre il presente documento, ivi comprese le garanzie implicite di commerciabilità e idoneità per uno scopo particolare. In nessun caso VONROC sarà responsabile di eventuali danni incidentali o consequenziali. I rime-
di dei rivenditori saranno limitati alla riparazione o sostituzione di unità o parti non conformi.

Il prodotto e il manuale per l'utente sono soggetti a modifiche. I dati tecnici possono essere modificati senza ulteriore notifica.

1. SÄKERHETSANVISNINGAR VARNING

Läs de medföljande säkerhetsvarningar, de kompletterande säkerhets varningarna och anvisningarna. Underlåtenhet att följa säkerhetsvarningarna och anvisningarna kan orsaka elstöt, brand och/eller allvarlig skada. Spara säkerhetsvarningarna och anvisningar na för framtida bruk.

Följande symboler används i användarhandboken eller på produkten:



Läs användarhandboken.



Anger risk för personskada, dödsfall eller skada på verktyget om anvisningarna i denna handbok inte följs.



Anger risk för elektrisk stöt.



Ita genast ut stromkontakten fran stromkallan om stromkabeln skadas samt vid rengoring och underhall.



Klass II-maskin - dubbel isolering - du behöver ingen jordad kontakt.



Håll åskådare, särskilt barn och husdjur på ett avstånd mer än 10 meter.



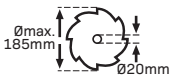
Använd ögonskydd.



Använd hörselskydd.



Använd en skyddsmask mot damm.



Observera måtten på sågbladet. Håldiametern måste matcha verktygsspindelns utan spel. Om det är nödvändigt att använda reducerare, se till att dimensionerna på reduceraren är lämpliga för basbladets tjocklek och sågbladets diameter, såväl som verktygsspindeldiametern. Använd så långt det är möjligt reducerare som medföljer sågbladet.

Sågbladets diameter måste matcha den information som anges på symbolen.



Riskområde! Håll händerna långt borta (10 cm) från skärområdet när maskinen är igång. Risk för skador om man kommer i kontakt med sågklingan.



Släng inte produkten i olämpliga behållare.



Produkten uppfyller gällande säkerhetsnormer i EU-direktiven.

ALLMÄNNA SÄKERHETSFRSKRIFTER



Varning! Läs alla säkerhetsvarningar och alla anvisningar. Om inte alla instruktioner som anges nedan efterföljs kan detta leda till el-stötar, eldsvåda och/eller allvarliga skada.

Spara dessa instruktioner.

Termen "elektriskt redskap" i varningarna som anges nedan hänvisar till elektriska verktyg (med sladd, anslutet till el-nätet) eller batteridrivna (sladdlösa) elektriska verktyg.

1) Arbetsutrymme

- Se till att arbetsutrymmet är städad och väl upplyst.** Stökiga och mörka utrymmen ger anledning till olyckor.
- Använd inte elektriska verktyg i explosiv luft, såsom i närheten av lättantändliga vätskor, gaser eller damm.** Elektriska verktyg åstadkommer gnistor som kan sätta eld på damm eller gas.
- Håll barn och obehöriga på avstånd när du använder ett elektriskt verktyg.** Om du blir distraherad kan du tappa kontrollen över verktyget.

2) El-säkerhet

- Stickkontakten till elektriska verktyg måste passa el-uttaget. Ändra aldrig på något sätt på stickkontakten. Använd inte adapterkontakter till jordade elektriska verktyg.** Oförändrade stickkontakter och passande uttag minskar risken för el-stöt.
- Undvik kroppskontakt med jordade ytor såsom rör, element, spisar och kylskåp.** Risken för el-stöt är större om din kropp är jordad.
- Låt inte elektriska verktyg utsättas för regn eller våta förhållanden.** Om det kommer in vatten i ett elektriskt verktyg ökar risken för el-stöt.

- d) **Skada inte kabeln. Använd aldrig kabeln för att bära eller dra det elektriska verktyget eller för att dra ut stickkontakten. Håll sladden borta från höga temperaturer, olja, vassa kanter eller rörliga delar.** Skadade eller hoptrasslade kablar ökar risken för el-stötter.
- e) **När du använder ett elektriskt verktyg utomhus måste förlängningskabeln vara lämplig för utomhusbruk.** Om man använder en förlängningskabel för utomhusbruk minskar risken för el-stötter.
- f) **Använd jordfelskydd (RCD) om arbete med ett elverktyg i fuktig miljö är oundvikligt.** Användning av RCD minskar risken för elstötter.
- 3) Personlig säkerhet**
- a) **Var uppmärksam, titta på det du håller på med och använd sunt förnuft när du arbetar med ett elektriskt verktyg. Använd inte elektriska verktyg när du är trött eller står under inflytande av droger, alkohol eller mediciner.** Ett ögonblicks ouppmärksamhet vid användandet av elektriska verktyg kan leda till allvarliga personskador.
- b) **Använd personlig skyddsutrustning. Bär alltid skyddsglasögon.** Säkerhetsutrustning såsom skyddsmasker, skor med anti-halksula, hjälm eller hörselskydd som används vid rätt omständigheter kommer att minska personskador.
- c) **Förhindra oavsiktlig igångsättning. Se till att strömbrytaren är avslagen innan du sätter stickkontakten i eluttaget.** Om du bär elverktyg med fingret på brytaren eller strömsätter elverktyg vars brytare är aktiverad kan du råka ut för en olycka.
- d) **Ta bort skiftnycklar och skruvnycklar innan ett elektriskt verktyg slås på.** En skift- eller skruvnyckel som lämnas kvar fastsatt vid det elektriska verktygets roterande delar kan leda till personskada.
- e) **Sträck dig inte för långt. Se till att du alltid står stadigt och i balans.** På så sätt har du bättre kontroll över det elektriska verktyget i oväntade situationer.
- f) **Klä dig rätt. Bär inte löst sittande kläder eller smycken. Håll håret, kläder och handskar borta från rörliga delar.** Löst sittande kläder, smycken eller långt hår kan fastna i de rörliga delarna.
- g) **Om apparater för uppsugning och uppsamling av damm finns tillgängliga, se till att de ansluts och används korrekt.** Om sådana apparater används kan dammrelaterade faror minskas.
- h) **Låt inte erfarenheten som uppnås vid frekvent användning av verktyg låta dig bli för självsäker och ignorera verktygsäkerhetsprinciperna.** En oförsiktig handling kan orsaka allvarliga skador under bråkdelan av en sekund.
- 4) Underhåll av elektriska verktyg**
- a) **Överbelasta inte ett elektriskt verktyg. Använd rätt sorts verktyg till det arbete du vill utföra.** Rätt sorts elektriskt verktyg gör arbetet bättre och säkrare i den hastighet det var designat för.
- b) **Använd inte verktyget om strömbrytaren är trasig.** Om ett elektriskt verktyg inte kan kontrolleras med hjälp av en strömbrytare är det farligt och måste lagas.
- c) **Koppla loss stickkontakten från verktyget innan du utför några justeringar, byter tillbehör eller förvarar det.** Med dessa preventiva säkerhetsåtgärder minskas risken för att det elektriska verktyget går på av misstag.
- d) **Förvara elektriska verktyg som inte är i bruk utom räckhåll för barn och låt inte personer som inte känner till verktyget eller dessa instruktioner använda det.** Elektriska verktyg är farliga i händerna på oerfarna användare.
- e) **Underhåll elektriska verktyg. Kontrollera att alla rörliga delar är i rätt linje och fastsatta, att inga delar är trasiga och att de är korrekt monterade. Kontrollera även annat som kan påverka verktygets funktion. Om det elektriska verktyget är trasigt måste det repareras innan det tas i bruk.** Många olyckor förorsakas av dåligt underhållna elektriska verktyg.
- f) **Håll alltid sågande och skärande verktyg vassa och rena.** Sågande och skärande verktyg med vassa eggar/skär fastnar inte så lätt och är enklare att hålla kontroll över.
- g) **Använd det elektriska verktyget, dess tillbehör, borrande eller skärande delar etc. enligt dessa instruktioner och på det sätt som det är avsett för. Ta med förutsättningarna och det arbete som ska utföras i beräkningarna.** Att använda ett elektriskt verktyg för andra arbeten än det är avsett för kan resultera i farliga situationer.
- h) **Se till att handtagen är torra, rena och fria från olja och fett.** Hala handtag och grepptyr tillåter inte säker hantering och kontroll av verktyget i oväntade situationer.

- 5) **Användning och skötsel av batteri och laddare**
- Använd endast den laddare som anges av tillverkaren.** En laddare som passar en typ av batteri kan orsaka brand om den används för ett annat batteri.
 - Använd endast elverktyget med ett batteripack som är avsett för verktyget.** Användning av andra batteripack kan medföra risk för skador och brand.
 - När du inte använder batteriet ska det förvaras så att inga små metallföremål som t.ex. gem, mynt, spikar, skruvar osv. kan kortsluta kontaktarna på batteriet.** Kortslutning av batterikon-takterna kan orsaka brännskador eller brand.
 - Under extrema förhållanden kan vätska läcka ut från batteriet; undvik kontakt. Skölj med vatten vid kontakt med kroppsdelar. Uppsök genast en läkare om du får vätska i ögonen.** Vätska från batteriet kan orsaka irritation eller frätskador.
 - Använd inte batterier eller verktyg som är skadade eller modifierade.** Skadade eller modifierade batterier kan uppvisa oförutsägbart beteende som kan leda till brand, explosion eller risk för skada.
 - Utsätt inte batteri eller verktyg för eld eller överdriven temperatur.** Exponering för brand eller temperatur över 130 °C kan orsaka explosion. OBS! Temperaturen "130 °C" kan ersättas med temperaturen "265 °F".
 - Följ alla laddningsanvisningar och ladda inte batteriet eller verktyget utanför det temperaturområde som anges i instruktionerna.** Om du laddar batteriet felaktigt eller vid temperaturer utanför det angivna området kan det skada batteriet och öka risken för brand.
- 6) **Service**
- Låt ditt elverktyg servas av en kvalificerad reparatör och enbart med originalreservdelar.** Detta säkerställer att elverktygets säkerhet upprätthålls.
 - Utför aldrig service på skadade batterier.** Service av batteri ska endast utföras av tillverkaren eller auktoriserade serviceleverantörer.

SÄKERHETSVARNINGAR FÖR CIRKELSÅGAR Sågmetoder

- Varning: Håll händerna borta från skärhuvudområdet och klingan.** Håll din andra hand på extrahandtaget, på motorhöljet. Om båda händerna håller i sågen kan de inte skadas av klingan.
- Sträck dig inte in under arbetsstycket.** Skyddet skyddar dig inte från klingan under arbetsstycket.
- Justera skärdjupet till arbetsstyckets tjocklek.** Mindre än en hel tand av klingans tänder ska synas under arbetsstycket.
- Håll aldrig arbetsstycket i händerna eller tvärs över benet medan du skär.** Säkra arbetsstycket vid ett stabilt underlag. Det är viktigt att stödja arbetsstycket ordentligt för att minimera kroppsexponering, knivbindning eller förlust av kontroll.
- Håll elverktyget i de isolerade greppytorna när du utför arbete där kaptillbehör kan komma i kontakt med dolda ledningar.** Vid kontakt med en strömförande ledning kommer verktygets metalldelar också att bli strömförande och du kan få en elektrisk stöt.
- Använd alltid ett klyvstöd eller en styrlinjal vid kapning.** Detta förbättrar noggrannheten och minskar risken för att klingan ska fastna.
- Använd alltid sågklingor av rätt storlek och med rätt form på monteringshålet (diamantformade resp. runda).** Klingor som inte matchar monteringshårdvaran på sågen kommer att gå excentriskt och orsaka förlust av kontroll.
- Använd aldrig skadade eller felaktiga klingbrickor/-bultar.** Klingbrickorna och bulten har utformats speciellt för din såg, för optimal prestanda och säkerhet vid drift.

Kast och relaterade varningar

- Kast är en plötslig reaktion på en klämd, fastsatt eller dålig sågklinga, vilket orsakar att sågen okontrollerat lyfts upp ur arbetsstycket mot användaren.
- När klingan kläms fast eller drivs av spåret stannar klingan och motorreaktionen driver då enheten snabbt bakåt mot användaren.
- Om klingan blir sned eller skev vid snittet kan tänderna på baksidan av klingan gräva in i ovandelen av träytan vilket får klingan att åka ut ur spåret och hoppa bakåt mot operatören.
- Kast är ett resultat av felaktig användning av sågen och/eller felaktigt tillvägagångssätt och kan undvikas genom lämpliga försiktighetsåtgärder som anges nedan.
- Håll ett fast grepp med båda händerna på sågen och placera armarna så att du kan stå emot kastets kraft.** Placera dig på ena sidan av klingan, men inte i linje med klingan. Kast kan leda till att sågen hoppar bakåt, men kraften

kan kontrolleras av operatören, om lämpliga försiktighetsåtgärder vidtas.

- **När klingan fastnar eller när du avbryter sågningen av någon annan anledning, släpp avtryckaren och håll sågen i materialet utan att röra på den tills sågklingan har stannat helt.** Försök aldrig avlägsna sågen från arbetsstycket eller dra sågen bakåt medan sågklingan är i rörelse då kast kan förekomma. Utred och vidta korrigerande åtgärder för att undanröja orsaken till att klingan fastnar.
- **Se till att sågklingan är mitt i sågskäret och att sågtänderna inte sitter fast i materialet om sågen startas om medan den befinner sig i arbetsstycket.** Om sågklingan sitter fast, kan den studsas upp eller slå tillbaka från arbetsstycket när sågen startas om.
- **Stöd stora skivor för att minimera risken för kast eller att bladet fastnar.** Stora arbetsstycken tenderar att ge efter till följd av deras egenvikt. Stöd måste därför placeras under sågen på båda sidorna, nära såglinjen och nära skivänden.
- **Använd inte slöa eller skadade klingor.** Slöa eller felaktigt inställda sågklingor åstadkommer smala sågspår vilket ger stark friktion och får klingan att fastna.
- **Klingans djup och låsspakarna för avfasningsjusteringen måste vara åtdragna och kontrollerade innan kapningen kan starta.** Om klingans inställning ändras under sågningen kan det orsaka kast och att klingan fastnar.
- **Var speciellt försiktig när du gör ett "instick" i väggar eller andra blinda ytor.** Den utskjutande sågklingan kan stöta på föremål vilket kan orsaka kast.

Lägre skyddsfunktion

- **Kontrollera före varje användning att det lägre klingskyddet stänger som det ska.** Använd inte sågen om skyddet inte rör sig fritt eller stängs omedelbart. Kläm eller bind aldrig fast det nedre skyddet i öppen position. Om sågen tappas av misstag kan det nedre skyddet deformeras. Lyft det nedre skyddet med det indragbara handtaget och se till att det rör sig fritt och inte vidrör klingan eller någon annan del, i alla vinklar och djup.
- **Kontrollera det nedre skyddets fjäderfunktion. Om skyddet och fjädern inte fungerar felfritt, måste de servas före användningen.** Det nedre

skyddet kan gå trögt på grund av skadade delar, klibbiga avlagringar eller ansamling av skräp.

- **Det nedre skyddet kan dras in manuellt endast för specialsågning som insticksågning och vinkelsågning.** Höj det nedre skyddet genom att dra in handtaget och så snart klingan kommer in i materialet, släpp det nedre skyddet. För alla andra sågningar bör det nedre skyddet fungera automatiskt.
- **Se alltid till att det nedre skyddet täcker klingan innan du placerar sågen på en bänk eller på golvet.** En oskyddad avstannad klinga gör att sågen kan gå baklänges och kapa allt som är i vägen. Var medveten om den tid det tar för klingan att stanna efter att brytaren släppts.

YTTERLIGARE SÄKERHETSVARNINGAR

- **Stick inte in fingrarna i sågspånsutkastet.** De kan skadas av roterande delar.
- **Använd inte sågen ovanför huvudet.** Om du gör det kan du inte behärska elverktyget tillräckligt bra.
- **Använd lämpliga detektorer för att avgöra om det finns dolda ledningar inom arbetsområdet eller kontakta lokalt kraftbolag för hjälp..** Kontakt med elektriska ledningar kan leda till brand och elektrisk stöt. Skador på en gasledning kan leda till explosion. Penetrering av en vattenledning kan orsaka egendomsskador.
- **Elverktyget får inte sitta fast när det används.** Det är inte konstruerat för drift med ett sågbord.
- **Använd inte sågklingor av snabbstål (HSS).** Sådana sågklingor kan lätt gå sönder.
- **Såga inte järnmetaller.** Glödande spån kan antända dammutsugningen.
- **Håll alltid i maskinen stadigt med båda händerna och se till att du intar en säker ställning när du arbetar med den.** Elverktyget hanteras säkrare med båda händerna.
- **Säkra arbetsstycket.** Ett arbetsstycke som klämts fast med fastklämningsenheter eller i ett skruvstöd hålls säkrare än det görs för hand.
- **Vänta alltid till maskinen stannat helt innan den läggs ned.** Verktygets insats kan fastna och leda till att kontrollen förloras över verktyget.
- **Geringssågar är avsedda att såga trä och träliknande produkter, den kan inte användas med slipande kapskivor för sågning av metallhaltiga material såsom stänger, stag, stolpar etc.** Slipdamm gör att rörliga delar, såsom det nedre skyddet, fastnar. Gnistor från slipande kap-

ningar kommer att bränna det nedre skyddet, spåninsatsen och andra platsdelar.

- **Använd endast sågblad som är markerade med en hastighet som är lika högre eller högre än den hastighet som är markerad på maskinen.**
- **Använd endast sågblad som överensstämmer med specifikationerna i denna bruksanvisning och som har testats och märkts i enlighet med EN 847-1.**

2. MASKININFORMATION

Avsedd användning

Denna cirkelsåg är avsedd för längsgående, tvärgående och snedskärning i trä samtidigt som bottenplattan vilar stadigt på arbetsstycket. Sågning av plast eller metaller är inte tillåtet. Elverktyget med det monterade sågbladet är utformat med tillräcklig kapacitet för sågning av lövträ och barved samt spånskivor och träfiberskivor. Sågbladet är inte utformat för att hugga ved. Använd inte sågen för att såga andra material än de som anges i bruksanvisningen.

Modellnr.	CS502AC
Spänning	230-240 V~
Frekvens	50 Hz
Effektförbrukning	1200 W
Varvtal, obelastad	5500/min
Sågklinga	Ø185x Ø20x2.4mm
Sågkapacitet 0°	65mm
Sågkapacitet 45°	43mm
IP-klass	IP20
Vikt	3.47 kg
Ljudtrycknivå LPA	92.8 dB(A), K=3dB(A)
Ljudeffektnivå LWA	103.8 dB(A), K=3dB(A)
Vibration	3.201 m/s ² K=1.5 m/s ²

VIBRATIONSNIVA

Vibrationsemissionsvärdet som står på baksidan av den här instruktionsboken har uppmäts enligt ett standardiserat test i enlighet med EN 62841; detta värde kan användas för att jämföra vibrationen hos olika verktyg och som en ungefärlig uppskattning

av hur stor vibration användaren utsatts för när verktyget används enligt det avsedda syftet:

- om verktyget används på ett annat än det avsedda syftet eller med fel eller daligt underhållna tillbehör kan detta drastiskt öka vibrationsnivån;
- när verktyget stängs av eller är på men inte används, kan detta avsevärt minska vibrationsnivån.

Skydda dig mot vibration genom att underhålla verktyget och dess tillbehör, hålla handerna varma och styra upp ditt arbetssätt.

BESKRIVNING

Siffrorna i texten hänvisar till diagrammen på sidorna 2-3.

1. Handtag
2. Strömbrytare
3. Låsknapp
4. Nätsladd
5. Extrahandtag
6. Skala för fasningsvinkel
7. Klämbult för fasningsvinkel
8. Sågmärke, 45°
9. Sågmärke, 0°
10. Klämbult för parallellanslag
11. Dammutsugningsuttag
12. Spak för infällning av nedre skydd
13. Övre skydd
14. Nedre skydd
15. Klämbult
16. Klämfläns
17. Basplatta
18. Sågblad
19. Spindellås
20. Spak för djupjustering
21. Skala för djupjustering
22. Parallellanslag
23. Kolborstskruv

3. MONTERING



Stäng alltid av maskinen och ta ut strömkontakten från strömkällan innan montering.

Byte av sågblad (Fig. A, B)



När du monterar sågbladet, använd skyddshandskar. Risk för skador om man kommer i kontakt med sågbladet.



Använd endast sågblad som motsvarar de karakteristiska data som anges i bruksanvisningen.



Använd absolut inte slipskivor som skärverktyg.

För att byta ut sågklingan är det bäst att ställa in djupet till 0 mm och ställa in avfasningsvinkeln på 0°. Därefter kan maskinen placeras på sidan och vila på motorhuset och bottenplattan.

Borttagning av sågblad

1. Håll in spindellåsknappen (19).
2. Lossa klämbulten (15) med den medföljande insexnyckeln och vrid moturs.
3. Ta bort klämbulten (15) och klämflänsen (16).
4. Dra tillbaka det nedre skyddet (14) med spaken (12) och ta bort sågklingan.

Montering av sågklinga

1. Rengör sågklingan och alla klämdelar som ska monteras.
2. Dra tillbaka det nedre skyddet (14) med spaken (12) och montera sågklingan. Se till att pilen på sågklingan motsvarar pilen på det nedre skyddet (14).
3. Montera klämflänsen (16). Se till att klämflänsens plana sidor överensstämmer med klingaxelns plana sidor. Se också till att klämflänsens konvexa sida är monterad på utsidan.
4. Håll in spindellåsknappen (19).
5. Montera klämbulten (15) med den medföljande insexnyckeln och vrid medurs.

Montera parallellanslag (Fig. D)

1. Lossa klämbult (10).
2. Montera parallellanslaget (22) på basplattan (17).
3. Ställ in önskad skärbredd med hjälp av skalan på parallellanslaget (22) och sågmarkeringen på basplattan (17). Sågmärket 45° (8) anger sågklingans läge för 45° vinkelade snitt. Sågmärket 0° (9) anger sågklingans läge för rätvinkliga snitt.
4. Dra åt klämbult (10).

4. DRIFT

Igångsättning och avstängning av maskinen (Fig. A,B)

- För att starta maskinen, håll in låsknappen (3) och tryck på strömbrytaren (2).
- Släpp strömbrytaren (2) för att stoppa maskinen.

Inställning av fasvinkeln (Fig. A, B)

Sågmärket 0° (9) anger sågklingans läge för raka snitt. Sågmärket 45° (8) anger sågklingans läge för 45° snitt.

1. Lossa klämbult (7).
2. Justera basplattan (17) till önskat läge (0°-45°). Sågvinkeln (fasningsvinkeln) kan avläsas på skalan (6).
3. Dra åt klämbult (7).

Justering av skärdjup (Fig. C)

1. Lossa spak för djupjustering (20).
2. Flytta basplattan (17) till önskat läge. Sågdjupet kan avläsas på skalan (21).
3. Dra åt spak för djupjustering (20).

Optimal användning

- Håll arbetsstycket med klämmor eller ett skruvstycke för att ha båda händerna fria för att använda sågen.
- Slå på sågen och placera basplattan på arbetsstycket.
- Flytta sågen långsamt mot den tidigare ritade såglinjen och tryck långsamt verktyget framåt.
- Pressa basplattan kraftigt mot arbetsstycket, annars kan cirkelsågen börja vibrera och få klingan att brytas lättare.
- Låt sågen göra arbetet. Lägg inte onödigt tryck på cirkelsågen.

5. UNDERHÅLL



Stäng alltid av maskinen och ta ut strömkontakten från strömkällan innan rengöring och underhåll.

Rengör maskinen hus regelbundet med en mjuk trasa, helst efter varje gång du använder maskinen. Se till att ventilationsöppningarna är fria från damm och smuts. Ta bort mycket ihållande smuts med en mjuk trasa fuktad med tvällösning. Använd inte lösningsmedel som bensen, alkohol, ammoniak osv. Sådana kemikalier skadar de syntetiska komponenterna.

MILJÖ



Felaktig och/eller kasserad elektrisk eller elektronisk utrustning måste lämnas in på lämpliga återvinningsstationer.

Endast för EU-länder

Släng inte elverktyg i hushållsavfallet. Enligt det europeiska WEEE-direktivet 2012/19/EU för avfall från elektrisk och elektronisk utrustning och dess tillämpning nationellt ska elverktyg som inte längre kan användas samlas in separat och kasseras på ett miljövänligt sätt.

GARANTI

VONROC produkter är utvecklade enligt högsta kvalitetsstandard och garanteras vara utan defekter både vad gäller material och tillverkning under den period som stipuleras enligt lag med början från ursprungligt inköpsdatum. Om något fel uppstår på produkten under denna period på grund av material- och/eller tillverkningsfel skall VONROC kontaktas direkt.

Följande omständigheter exkluderas från denna garanti:

- Reparationer eller ändringar som gjorts eller försökt göras på maskinen av ett icke auktoriserat servicecenter.
- Normalt slitage.
- Verktøyet har missbrukats, använts fel eller underhållits på felaktigt sätt.
- Icke-originalreservdelar har använts.

Detta utgör hela garantin från företaget, antingen uttryckt eller underförstått. Det finns inga andra garantier, uttalade eller underförstådda som gäller utöver ordalydelsen härav, häri, inklusive de uttalade garantierna för säljbarhet och lämplighet för ett särskilt syfte. Under inga omständigheter skall VONROC hållas ansvarig för några oförutsedda eller indirekta skador. Återförsäljarens åtgärder skall begränsas till reparation eller byte av felaktiga enheter eller delar.

Med förbehåll för ändringar i produkten och bruksanvisningen. Specifikationer kan ändras utan förvarning.

1. SIKKERHEDSANVISNINGER

Læs de vedlagte sikkerhedsadvarsler, de yderligere sikkerhedsadvarsler og vejledningen. Hvis sikkerhedsadvarslerne og vejledningen ikke følges, kan det resultere i elektrisk stød, brand og/eller alvorlige personskader. Gem sikkerhedsadvarslerne og vejledningen til fremtidig brug.

Følgende symboler anvendes i brugervejledningen eller på produktet:

Læs brugervejledningen.



Angiver risiko for personskade, dødsfald eller beskadigelse af værktøjet i tilfælde af manglende overholdelse af anvisningerne i denne vejledning.



Indikerer farer for elektrisk stød.



Tag øjeblikkeligt netstikket ud af stikkontakten, hvis netkablet bliver beskadiget, samt under rengøring og vedligeholdelse.



Klasse II-maskine – Dobbeltisoleret – Du har ikke brug for et jordstik.



Hold tilskuere, især børn og kæledyr, på en afstand på mindst 10 m.



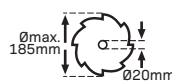
Bær øjenværn.



Brug høreværn.



Når maskinen bruges, skal man bære støvmaske.



Bemærk savklingens dimensioner. Huldiameteren skal passe til værktøjsspindlen uden slør. Hvis det er nødvendigt at bruge reduktionsmuffer, skal du sikre dig, at reduktionsmuffens dimensioner er egnet til bundklingetykkelsen og savklingens huldiameter, samt værktøjsspindelens diameter. Brug, hvor det er muligt, reduktionsmufferne, der fulgte

med savklingen. Savklingens diameter skal stemme overens med informationen, der er specificeret på symbolet.



Fareområde! Hold hænderne langt væk (10 cm) fra skæreområdet, mens maskinen kører. Fare for personskade, når man kommer i kontakt med savklingen.



Kassér ikke produktet i en forkert container.



Produktet er i overensstemmelse med de gældende sikkerhedsstandarder i EU direktiverne.

GENERELLE SIKKERHEDSFORSKRIFTER



Advarsel! Læs alle sikkerhedsadvarsler og alle anvisninger. Hvis alle nedenstående instruktioner ikke følges, kan det resultere i elektrisk stød, brand og/eller alvorlig personskade.

Gem disse instruktioner.

Udtrykket "elektrisk maskine" i alle advarselne nedenfor henviser til elektriske maskiner/værktøj/redskaber, der via en ledning tilkobles elnettet eller strømforsynes via batteri (accu).

1) Arbejdsområde

- Arbejdsområdet skal være rent og tilstrækkeligt belyst.** Rodede og mørke arbejdsområder giver større risiko for ulykker.
- Brug ikke elektriske maskiner i eksplosive omgivelser, f.eks. i nærheden af brandfarlige væsker, gasser eller støv.** Elektriske maskiner frembringer gnister, som kan antænde støv eller dampe.
- Hold børn og omkringstående på afstand, når der bruges elektriske maskiner.** Hvis man distraheres, kan man miste kontrollen over den elektriske maskine.

2) Elektrisk sikkerhed

- Stik til elektriske maskiner skal passe til stikkontakten. Der må ikke foretages ændringer af stikket. Brug ikke snydepropper til jordede (jordforbundne) elektriske maskiner.** Originale stik og tilsvarende kontakter mindsker risikoen for elektrisk stød.
- Undgå kropskontakt med jordede eller jordfor-**

bundne overflader som f.eks. rør, radiatorer, komfurer og køleskabe. Der er øget risiko for elektrisk stød, hvis kroppen er jordet eller jordforbundet.

- Elektriske maskiner må ikke udsættes for regn eller våde omgivelser.** Hvis der kommer vand i den elektriske maskine, øges risikoen for elektrisk stød.
- Brug ikke ledningen forkert. Brug ikke ledningen til at bære eller trække maskinen og heller ikke for at tage ledningen ud af stikkontakten. Hold ledningen væk fra stærk varme, olie, skarpe kanter og bevægelige dele.** Beskadigede eller filtrede ledninger øger risikoen for elektrisk stød.
- Når en elektrisk maskine bruges udendørs, skal man bruge en forlængerledning, der er beregnet til udendørs brug.** Hvis der bruges en forlængerledning, der er beregnet til udendørs brug, mindskes risikoen for elektrisk stød.
- Hvis det ikke kan undgås at bruge et maskinværktøj i et fugtigt miljø, bør du anvende en forsyning, der er beskyttet af en fejlstrømsafbryder (RCD).** Brugeren af en RCD reducerer risikoen for elektrisk stød.

3) Personlig sikkerhed

- Vær agtpågivende, hold øjnene rette mod det, du laver, og brug almindelig sund fornuft, når du bruger en elektrisk maskine. Brug ikke en elektrisk maskine, hvis du er træt eller er under påvirkning af narkotika, alkohol eller medicin.** Et øjeblikks uopmærksomhed under arbejdet med en elektrisk maskine kan resultere i alvorlig personskade.
- Brug personligt sikkerhedsudstyr. Brug altid beskyttelsesbriller.** Sikkerhedsudstyr som støvmaske, skridsikre sko, hjelm eller høreværn, brugt når det er nødvendigt, mindsker risikoen for personskade.
- Undgå utilsigtet start. Sørg for, at der er slukket på afbryderen, før stikket sættes i stikkontakten.** Hvis maskinværktøj bæres med fingeren på kontakten, eller når maskinværktøj strømføres med tændt kontakt, kan der nemt ske ulykker.
- Fjern justeringsnøgler og tænger, før der tændes for den elektriske maskine.** En tang eller nøgle, der sidder på en roterende del af den elektriske maskine, kan resultere i personskade.
- Ræk ikke for langt ud. Stå sikkert på fødderne og vær altid i god balance.** Det giver bedre kontrol over maskinen i uventede situationer.

- f) **Tag passende tøj på. Bær ikke løstsiddende tøj eller smykker. Hold hår, tøj og handsker væk fra bevægelige dele.** Løstsiddende tøj, smykker eller langt hår kan blive grebet af bevægelige dele.
- g) **Hvis der forefindes tilslutning til støvudsugning og -opsamling, skal man sørge for, at udstyret er tilsluttet og bruges.** Brug disse muligheder for at mindske risikoen for støvrelaterede risici.
- h) **Lad ikke kendskab opnået gennem hyppig brug af værktøj lade dig blive tilbagelænet og ignorere værktøjssikkerhedsprincipper.** En skødesløs handling kan forårsage alvorlig personskade inden for en brøkdel af et sekund.
- 4) Brug og behandling af elektriske maskiner**
- a) **Brug ikke magt på den elektriske maskine. Brug kun den elektriske maskine til det, den er beregnet til.** Den rette elektriske maskine gør arbejdet bedre og mere sikkert ved den effekt, der er foreskrevet.
- b) **Brug ikke den elektriske maskine, hvis afbryderen ikke kan tænde og slukke.** En elektrisk maskine, der ikke kan tændes og slukkes på afbryderen, er farlig og skal repareres.
- c) **Tag stikket ud af stikkontakten før justering, udskiftning af tilbehør, og før den elektriske maskine gemmes væk.** Sådanne forebyggende sikkerhedsforanstaltninger mindsker risikoen for, at den elektriske maskine starter ved et uheld.
- d) **Elektriske maskiner, der ikke bruges, skal opbevares utilgængeligt for børn, og personer, der ikke har kendskab til den elektriske maskine eller disse instruktioner, må ikke bruge den elektriske maskine.** Elektriske maskiner er farlige i hænderne på uøvede personer.
- e) **Elektriske maskiner skal vedligeholdes. Check for forkert justering og fastsiddende bevægelige dele, defekte dele og andre ting, som kan påvirke den elektriske maskines korrekte funktion. Hvis den elektriske maskine er beskadiget, skal den repareres før brug.** Mange ulykker skyldes, at elektriske maskiner er dårligt vedligeholdt.
- f) **Skærende værktøj skal holdes skarpe og rene.** Korrekt vedligeholdt skærende værktøj med skarpe skær kommer ikke så let til at sidde fast og er nemmere at styre.
- g) **Brug den elektriske maskine, tilbehør, tool-bits osv. i henhold til disse instruktioner og på den måde, som denne specielle maskine er beregnet til, idet man skal tage hensyn til arbejdsforholdene og arbejdet, der skal udføres.** Brug af den elektriske maskine til andet, end den er beregnet til, kan resultere i farlige situationer.
- h) **Hold håndtag og gribeblade tørre, rene og fri fra olie og fedtstof.** Glatte håndtag og gribeblade giver ikke mulighed for sikker håndtering og kontrol af værktøjet i uventede situationer.
- 5) Batteriværktøj anvendelse og vedligeholdelse**
- a) **Genoplad kun med oplader som er specificeret af fabrikanten.** En oplader som er anvendelig for en type batteripakning kan forårsage brand, når den anvendes med en anden batteripakning.
- b) **Anvend kun elektroværktøj med særlig egnede batteripakninger.** Anvendelse af enhver anden batteripakning kan give risiko for ulykker og brandfare.
- c) **Når batteripakning ikke anvendes, holdes det altid på afstand af enhver metalgenstand såsom papirkliips, mønter, nøgler, søm eller andre små metal genstande der kan lave en forbindelse fra én terminal til en anden.** Ved at kortslutte batteriterminalerne sammen kan forårsage brandfare.
- d) **Under dårlige forhold kan væske udløbe fra batteriet; undgå kontakt med dette. Hvis kontakt alligevel forekommer, skylles der med vand. Hvis væske kommer i øjnene, skal der øjeblikkeligt søges lægehjælp.** Væske som udløber fra batteriet kan forårsage irritationer og forbrændinger.
- e) **Brug ikke en batteripakke eller et værktøj, der er beskadiget eller modificeret.** Beskadigede eller modificerede batterier kan udvise uforudsigelig adfærd, hvilket resulterer i brand, eksplosion eller risiko for personskade.
- f) **Undlad at udsætte en batteripakke eller et værktøj for åben ild eller for høj temperatur.** Udsættelse for åben ild eller temperatur over 130 °C kan forårsage eksplosion. BEMÆRK Temperaturen „130 °C“ kan erstattes af temperaturen „265 °F“.
- g) **Følg alle opladningsinstruktioner, og oplad ikke batteripakken eller værktøjet uden for temperaturintervallet specificeret i instruktionerne.** Forkert opladning eller opladning ved temperaturer uden for det specificerede interval kan beskadige batteriet og øge risikoen for brand.
- 6) Service**
- a) **Få foretaget service på dit maskinværktøj af en kvalificeret reparatør, der kun bruger identiske udskiftningsdele.** Dette sikrer, at maskinværktøjet fortsat er sikkert at bruge.

- b) **Foretag aldrig service på beskadigede batteripakker.** Service af batteripakker bør kun udføres af producenten eller autoriserede serviceudbydere.

SIKKERHEDSADVARSLER FOR RUNDSAVE

Savmetoder

- **Advarsel: Hold hænderne væk fra skæreområdet og klingens.** Hold din anden hånd på hjælpehåndtaget eller motorhuset. Hvis begge hænder holder saven, kan de ikke skæres af klingens.
- **Ræk ikke ind under arbejdsemnet.** Skærmen kan ikke beskytte dig mod klingens under arbejdsemnet.
- **Juster skæredybden til arbejdsemnets tykkelse.** Mindre end en hel tand af klingetænderne skal være synlig under arbejdsemnet.
- **Hold aldrig arbejdsemnet i dine hænder eller over benet, mens du skærer.** Fastgør arbejdsemnet til en stabil platform. Det er vigtigt at støtte arbejdet ordentligt for at minimere eksponering af kroppen, binding af klingens eller tab af kontrol.
- **Hold kun fast rundt om el-værktøjet på de isolerede gribeblade, når der bliver udført arbejde, hvor skæreværktøjet muligvis kan komme i kontakt med skjulte ledninger.** Ved kontakt med en strømført ledning bliver elværktøjets eksponerede metaldele også strømførte og kan give operatøren stød.
- **Brug altid et parallelanslag eller et lige kantstyr ved flæksavning.** Derved bliver snittet mere nøjagtigt, og risikoen for, at klingens binder, reduceres.
- **Brug altid klinger med den korrekte størrelse og form (diamantformede eller runde) af akselhuller.** Klinger, der ikke modsvare savens monteringsdele, roterer skævt og forårsager tab af kontrol.
- **Brug aldrig beskadigede eller forkerte spændeskiver eller bolte til klingens.** Spændeskiverne og boltene til klingens er specielt udviklet til savens med henblik på optimal ydeevne og driftssikkerhed.

Årsager til tilbageslag og relaterede advarsler

- **Tilbageslag er en pludselig reaktion på en fastklemt, låst eller forkert justeret savklinge, som kan medføre, at en ukontrolleret sav løftes opad og ud af arbejdsemnet i retning mod operatøren.**
- **Når klingens kommer i klemme eller sidder fast, fordi savsnittet lukkes sammen, stopper klingens, og motorreaktionen støder apparatet hurtigt tilbage mod operatøren.**
- **Hvis klingens bliver vredet eller sidder skævt i snittet, kan tænderne bag på klingens skære sig ned i træets øverste overflade, så klingens løftes ud af savsnittet og springer tilbage mod operatøren.**
- **Tilbageslag opstår som et resultat af ikke korrekt brug af savens og/eller forkerte anvendelsesprocedurer eller -forhold, hvilket kan undgås ved at træffe de passende foranstaltninger, som angivet herunder.**
- **Hold godt fast i savens med begge hænder, og placer armene, så de kan modstå tilbageslag.** Placer kroppen på siden af klingens, men ikke på linje med klingens. Tilbageslag kan få savens til at springe tilbage, men tilbageslagskræfterne kan kontrolleres af operatøren, hvis de korrekte forholdsregler tages.
- **Når klingens binder, eller når et snit afbrydes af andre årsager, skal du slippe kontaktgrebet og holde savens stille i materialet. indtil klingens stopper helt.** Forsøg aldrig at tage savens ud af arbejdsemnet eller at trække savens baglæns, mens klingens bevæger sig, da dette kan medføre tilbageslag. Undersøg og træf korrigerende foranstaltninger for at fjerne årsagen til fastsættelsen af klingens.
- **Når savens startes igen i arbejdsemnet, skal du centrere savklingens i savsnittet og sikre dig, at savtænderne ikke sidder fast i materialet.** Hvis savklingens binder, kan den bevæge sig opad eller slå tilbage fra arbejdsemnet, når savens startes igen.
- **Understøt store paneler for at reducere risikoen for, at klingens klemmes fast og forårsager tilbageslag.** Større paneler har tendens til at synke nedad pga. egenvægten. Der skal placeres støtter under panelet i begge sider, i nærheden af skæringslinjen og nær panelets kanter.
- **Brug ikke sløve eller beskadigede klinger.** Uskarpe eller forkert monterede klinger giver smalle savsnit, der forårsager ekstra friktion, fastklemning af klingens og tilbageslag.
- **Låsehåndtagene til klingedybde og smigvinkel skal sidde stramt og sikkert, før der foretages et snit.** Hvis klingens flytter sig under skæringen, kan klingens binde og forårsage tilbageslag.
- **Vær ekstra forsigtig, når du saver i eksisterende vægge eller andre blinde områder.** Den udstikkende klinge kan skære i genstande, som kan forårsage tilbageslag.

Funktion af nederste skærm

- **Kontrollér inden brug, at den nederste skærm kan lukkes korrekt.** Brug ikke skærmen, hvis den nederste skærm ikke kan bevæge sig frit og ikke lukkes med det samme. Du må aldrig klemme eller binde den nederste skærm i den åbne position. Hvis en sav tabes ved et uheld, kan den nederste skærm være bøjet. Hæv den nederste skærm med tilbagetrækningshåndtaget og kontrollér, at det bevæger sig frit og ikke berører klingens eller nogen anden del, i alle snittets vinkler og dybder.
- **Kontrollér funktionen af den nederste skærmfjeder.** Hvis skærmen og fjederen ikke fungerer korrekt, skal der foretages service på dem inden brug. Den nederste skærm kan have en træg funktion på grund af beskadigede dele, gummi aflejringer eller en ophobning af rester.
- **Den nederste skærm må kun blive tilbagetrukket manuelt ved specielle snit såsom "indstiks-snit og vinkelsnit".** Hæv den nederste skærm ved at tilbagetrække håndtaget, og så snart klingens trænger ind i materialet, skal du frigive den nederste skærm. Ved alle andresavninger bør den nederste skærm fungere automatisk.
- **Se altid efter, om den nederste skærm dækker klingens, før saven stilles på arbejdsbænken eller gulvet.** En ubeskyttet drejende klinge vil få saven til at bevæge sig baglæns, mens den skærer i alt, hvad den kommer i kontakt med. Vær opmærksom på den tid, det tager for klingens at stoppe, efter at kontakten slippes.

YDERLIGERE SIKKERHEDSADVARSLER

- **Ræk ikke ind i flig-ejektoren med dine hænder.** Man kan blive skadet af roterende dele.
- **Arbejd ikke over hovedet med saven.** På denne måde har du ikke tilstrækkelig kontrol over elværktøjet.
- **Brug passende detektorer til at afgøre, om der er skjulte forsyningsledninger på arbejdsområdet, eller ring til den lokale forsyningsvirksomhed for hjælp.** Kontakt med elektriske ledninger kan føre til brand og elektrisk stød. Beskadigelse af en gasledning kan føre til eksplosion. Gennemtrængning af en vandledning forårsager ejendomsskade.
- **Brug ikke elværktøjet stationært.** Det er ikke beregnet til drift med et savbord.
- **Brug ikke savklinger med høj hastighed (HSS).** Sådanne savklinger kan nemt gå i stykker.

- **Så ikke i jernholdige metaller.** Glødende flis kan antænde støvudsugningen.
- **Når du arbejder med maskinen, skal du altid holde den fast med begge hænder og sørge for et sikkert fodfæste.** Elværktøjet styres mere sikkert med begge hænder.
- **Fastgør arbejdsemnet.** Et arbejdsemne fastgjort med fastspændingsenheder eller i en skruestik holdes mere sikkert end med hånden.
- **Vent altid, til maskinen er standset helt, inden du lægger den ned.** Værktøjsindsatsen kan sidde fast og føre til mistet kontrol over elværktøjet.
- **Rundsav er beregnet til at save træ eller trælignende produkter, og de kan ikke bruges sammen med skæreskiver til savning af jernholdigt materiale som stænger, stave, stifter osv.** Slibestøv forårsager fastklemning af bevægelige dele såsom den nederste skærm. Gnister fra slibeskæring vil brænde den nederste skærm, snitindsatsen og andre plastikdele.
- **Brug kun savklinger, der er markeret med en hastighed lig med eller højere end hastigheden markeret på maskinen.**
- **Brug kun savklinger, der opfylder specifikationerne i denne brugsvejledning, og som er testet og mærket i overensstemmelse med EN 847-1.**

2. MASKINOPLYSNINGER

Tilsigtet brug

Denne rundsav er beregnet til længdesnit, tværsnit og skråskæring i træ, mens bundpladen hviler fast på emnet. Det er ikke tilladt at save i plastik eller metaller. Elværktøjet med den monterede savklinge er designet med tilstrækkelig kapacitet til savning af hårdt træ og blødt træ samt spånplader og fiberplader. Savklingen er ikke designet til at save brænde. Brug ikke saven til at skære andre materialer end dem, der er beskrevet i vejledningen.

Modellnr.	CS502AC
Spænding	230-240 V~
Frekvens	50 Hz
Optaget effekt	1200 W
Omdrejninger, ubelastet	5500/min.
Savklinge	Ø185x Ø20x2.4mm
Savkapacitet 0°	65mm
Savkapacitet 45°	43mm
IP-klasse	IP20
Vægt	3.47 kg
Lydtrykniveau LPA	92.8 dB(A), K=3dB(A)
Lydtrykeffekt LWA	103.8 dB(A), K=3dB(A)
Vibration	3.201 m/s ² K=1.5 m/s ²

Vibrationsniveau

Det vibrationsniveau, der er anført bag på denne betjeningsvejledning er malt i henhold til den standardiserede test som anført i EN62841; den kan benyttes til at sammenligne to stykker værktøj og som en forelobig bedømmelse af udsættelsen for vibrationer, når værktøjet anvendes til de navnte formal:

- anvendes værktøjet til andre formal eller med andet eller dårligt vedligeholdt tilbehør, kan dette øge udsættelsesniveauet betydeligt;
- de tidsrum, hvor værktøjet er slukket, eller hvor det kører uden reelt at udføre noget arbejde, kan reducere udsættelsesniveauet betydeligt.

Beskyt dig selv imod virkningerne af vibrationer ved at vedligeholde værktøjet og dets tilbehør, ved at holde dine hænder varme og ved at organisere dine arbejdsmonstre.

BESKRIVELSE

Tallene i teksten henviser til diagrammerne på side 2-3.

1. Håndtag
2. Tænd/sluk-kontakt
3. Låseknop
4. Netledning
5. Hjælpehåndtag
6. Skala for smigvinkel
7. Spændebolt til smigvinkel

8. Skæremærke, 45°
9. Skæremærke, 0°
10. Spændebolt til parallelføring
11. Støvdugningsåbning
12. Håndtag til tilbagetrækning af nederste skærm
13. Øverste skærm
14. Nederste skærm
15. Spændebolt
16. Spændeflange
17. Bundplade
18. Savklinge
19. Spindellås
20. Håndtag til dybdejustering
21. Skala for dybdejustering
22. Parallelføring
23. Skrue til kulbørste

3. SAMLING



Før monteringen skal du altid slukke for maskinen og trække netstikket ud af kontakten.

Udskiftning af savklingen (Fig. A, B)



Bær beskyttelseshandsker ved montering af savklingen. Fare for personskade, når savklingen berøres.



Brug kun savklinger, der stemmer overens med de karakteristiske data, der er angivet i brugsanvisningerne.



Brug under ingen omstændigheder slibesliver som skæreværktøjet.

For at udskifte savklingen er det bedst at indstille dybden til 0 mm og at indstille smigvinklen til 0°. Bagefter kan maskinen placeres på siden, så den hviler på motorhuset og bundpladen.

Fjernelse af savklingen

1. Tryk og hold knappen til spindellås (19) nede.
2. Løsn spændebolten (15) ved hjælp af den medfølgende unbrakonøgle, og drej den mod uret.
3. Fjern spændebolten (15) og spændeflengen (16).
4. Træk den nederste skærm (14) tilbage ved hjælp af håndtaget (12), og fjern savklingen.

Montering af savklingen

1. Rengør savklingen og alle spændedele, der skal monteres.
2. Træk den nederste skærm (14) tilbage ved hjælp af håndtaget (12), og monter savklingen. Sørg for, at pilen på savklingen stemmer overens med pilen på den nederste skærm (14).
3. Monter spændeflengen (16). Sørg for, at de flade sider på spændeflengen stemmer overens med de flade sider på klingeskafte. Sørg også for, at spændeflengens konvekse side er monteret udvendigt.
4. Tryk og hold knappen til spindellås (19) nede.
5. Monter spændebolten (15) ved hjælp af den medfølgende unbrakonøgle, og drej den med uret.

Påmontering af parallelføringen (Fig. D)

1. Løsn spændebolt (10).
2. Monter parallelføringen (22) på bundpladen (17).
3. Indstil den ønskede skærebredde ved hjælp af skalaen på parallelføringen (22) og skæremærket på bundpladen (17). 45° skæremærket (8) indikerer positionen af savklingen for 45° skæve snit. 0° skæremærket (9) indikerer positionen af savklingen for retvinklede snit.
4. Stram spændebolt (10).

4. DRIFT

Tænd/sluk maskinen (Fig. A, B)

- Start maskinen ved at trykke og holde på låseknappen (3) og trykke på tænd/sluk-kontakten (2).
- Stop maskinen ved at slippe tænd/sluk-kontakten (2).

Justering af smigvinklen (Fig. A, B)

0° skæremærket (9) indikerer positionen af savklingen for lige snit. 45° skæremærket (8) indikerer positionen af savklingen for 45° snit.

1. Løsn spændebolt (7)
2. Juster bundpladen (17) til den ønskede position (0°- 45°). Savvinklen (smig) kan læses på skalaen (6).
3. Stram spændebolt (7).

Justering af skæredybden (Fig. C)

1. Løsn håndtag for dybdejustering (20).
2. Flyt bundpladen (17) til den ønskede position. Savdybden kan læses på skalaen (21).
3. Stram håndtag for dybdejustering (20).

Optimal brug

- Hold arbejdsemnet ved hjælp af klemmer eller en skruestik for at have begge hænder fri til at bruge saven.
- Tænd for saven og placer bundpladen på arbejdsemnet.
- Bevæg saven langsomt mod den tidligere tegnede skærelinje og pres langsomt værktøjet fremad.
- Tryk godt på bundpladen på arbejdsemnet, da rundsaven ellers kan begynde at vibrere, hvilket får klingens til at gå lettere i stykker.
- Lad saven gøre arbejdet. Anvend ikke for meget pres på rundsaven.

5. VEDLIGEHOLDELSE



Før rengøring og vedligeholdelse skal du altid slukke for maskinen og trække netstikket ud af kontakten.

Rengør maskinbeklædningerne regelmæssigt med en blød klud, helst efter hver anvendelse. Sørg for, at der ikke er støv eller snavs i ventilationsåbningerne. Fjern snavs, der sidder meget godt fast, med en blød klud, der er fugtet i sæbevand. Brug ikke opløsningsmidler, som f.eks. benzin, sprit, ammoniak osv. Kemikalier som disse beskadiger de syntetiske komponenter.

MILJØ



Defekte og/eller bortskaffede elektriske og elektroniske apparater skal afleveres på en passende genbrugsstation.

Kun for EU-lande

Smid ikke el-værktøjer ud sammen med almindeligt affald. I henhold til de europæiske direktiver 2012/19/EU for elektrisk og elektronisk udstyr og er implementeret i henhold til nationale rettigheder, el-værktøj som ikke længere er anvendelig skal indsamles separat og genbruges på en miljøvenlig måde.

GARANTI

VONROC produkter er udviklet efter de højeste kvalitetsstandarder og er garanteret fri for mangler i såvel materialer som udførelse i den lovpligtige periode, der starter fra datoen for det oprindelige køb. Skulle produktet udvikle nogen fejl i løbet af denne periode på grund af defekte materialer og/eller fabrikationsfejl, så kontakt VONROC direkte.

De følgende forhold er udelukket fra denne garanti:

- Reparationer og eller rettelser er blevet foretaget eller forsøgt foretaget på maskinen af uautoriserede servicecentre.
- Normal slitage.
- Værktøjet har været misligholdt, misbrugt eller vedligeholdt forkert.
- Ikke originale reservedele er blevet anvendt.

Dette udgør den eneste garanti fra virks omheden enten udtrykt eller underforstået. Der er ingen andre garantier udtrykt eller underforstået, som strækker sig ud over forsiden heraf, heri, herunder underforståede garantier for salgbarhed og egnethed til et bestemt formål. VONROC vil under ingen omstændigheder være ansvarlig for hændelige skader eller følgeskader. Forhandlernes afhjælpningsmidler vil være begrænsede til reparation eller udskiftning af fejlbehæftede enheder eller dele.

Produktet og brugermanualen kan ændres. Specifikationer kan ændres uden forudgående varsel.

1. INSTRUKCJE DOTYCZĄCE BEZPIECZEŃSTWA

Przeczytać dołączone ostrzeżenia dotyczące bezpieczeństwa, dodatkowe ostrzeżenia dotyczące bezpieczeństwa oraz instrukcję. Nieprzestrzeganie ostrzeżeń dotyczących bezpieczeństwa oraz instrukcji może prowadzić do porażenia prądem, pożaru i/lub poważnych obrażeń ciała. Zachować ostrzeżenia dotyczące bezpieczeństwa oraz instrukcje na przyszłość.

Następujące symbole są umieszczone w instrukcji obsługi lub na produkcie:



Przeczytać instrukcję obsługi.



Oznacza ryzyko obrażeń ciała, śmierci lub uszkodzenia narzędzia w razie nieprzestrzegania poleceń z instrukcji.



Ryzyko porażenia prądem.



Niezwłocznie odłączyć wtyczkę zasilania sieciowego od gniazdka sieciowego, jeśli przewód zasilania sieciowego zostanie uszkodzony, a także na czas czyszczenia i konserwacji.



Maszyna klasy II - Podwójna izolacja - Nie trzeba stosować wtyczek z uziemieniem.



Osoby postronne, zwłaszcza dzieci, oraz zwierzęta powinny się znajdować w odległości większej niż 10 metrów od maszyny.



Korzystaj ze środków ochrony wzroku.



Korzystaj ze środków ochrony słuchu.



Noś maskę przeciwpyłową



Zwracać uwagę na wymiary tarczy pilarki. Średnica otworu musi pasować do wrzeciona narzędzia bez luzu. Jeśli konieczne jest użycie wkładek redukujących, dopilnować, aby wymiary wkładki były odpowiednie dla grubości tarczy i średnicy otworu pilarki

oraz średnicy wrzeczona narzędzia. Kiedy to możliwe, używać wkładek redukujących dołączonych do pilarki. Średnica tarczy pilarki musi być zgodna z informacjami podanymi na symbolu.



Obszar niebezpieczny! Trzymać dłonie z dala (10 cm) od obszaru cięcia podczas pracy maszyny. Ryzyko obrażeń ciała w wyniku zetknięcia się z tarczą.



Nie wyrzucać produktu do nieodpowiednich pojemników.



Produkt spełnia wymogi odpowiednich norm bezpieczeństwa podanych w dyrektywach UE.

OGÓLNE ZALECENIA DOTYCZĄCE BEZPIECZEŃSTWA



UWAGA! Przeczytać wszystkie ostrzeżenia dotyczące bezpieczeństwa i wszystkie instrukcje. Nieprzestrzeganie wszystkich

poniższych instrukcji może być przyczyną porażenia prądem, pożaru i/lub poważnych obrażeń.

Zachowaj niższe instrukcje.

Termin „elektronarzędzia akumulatorowe” we wszystkich ostrzeżeniach zamieszczonych poniżej odnosi się do elektronarzędzi akumulatorowych zasilanych sieciowo (przewodowych) lub elektronarzędzi akumulatorowych działających na baterie (bezprowadowych).

1) Obszar roboczy

- a) **Obszar roboczy należy utrzymywać w czystości.** Powinien on być dobrze oświetlony. Nieład i złe oświetlenie mogą z łatwością doprowadzić do wypadku.
- b) **Nie korzystaj z elektronarzędzi akumulatorowych w warunkach, w których łatwo może dojść do wybuchu, np. w obecności łatwopalnych cieczy, gazów lub pyłu.** Podczas pracy elektronarzędzi akumulatorowych powstają iskry, które mogą doprowadzić do zapłonu pyłu lub oparów.
- c) **Dzieci i inne osoby postronne powinny pozostać w bezpiecznej odległości od pracującego urządzenia.** Rozproszenie uwagi może spowodować utratę kontroli nad urządzeniem.

2) Bezpieczeństwo związane z elektrycznością

- a) **Wtyczki elektronarzędzi akumulatorowych muszą być odpowiednie do danego gniazda. Pod żadnym pozorem nie należy modyfikować wtyczki w jakikolwiek sposób. Nie należy używać adapterów, które uziemiają elektronarzędzia akumulatorowe.** Stosowanie wtyczek nie poddanych modyfikacjom oraz odpowiednich gniazd zmniejsza ryzyko porażenia prądem.
- b) **Należy unikać bezpośredniego kontaktu fizycznego z powierzchniami uziemionymi, takimi jak rury, grzejniki, kuchenki, lodówki.** Ryzyko porażenia prądem jest większe, jeśli ciało osoby obsługującej urządzenie jest uziemione.
- c) **Nie należy wystawiać elektronarzędzi akumulatorowych na działanie deszczu lub wilgoci.** Dostanie się wody do wnętrza elektronarzędzia akumulatorowego zwiększy ryzyko porażenia prądem.
- d) **Nie należy używać przewodu w niewłaściwy sposób. Pod żadnym pozorem nie należy wykorzystywać przewodu do przenoszenia lub ciągnięcia elektronarzędzia akumulatorowego, ani do jego odłączania od sieci. Przewodu nie należy wystawiać na działanie ciepła, smarów. Powinien on znajdować się w bezpiecznej odległości od ostrych krawędzi i części ruchomych.** Przewody uszkodzone lub poplątane zwiększają ryzyko porażenia prądem.
- e) **Podczas korzystania z elektronarzędzia akumulatorowego na wolnym powietrzu, należy używać przewodu przedłużacza przystosowanego do użytku na zewnątrz.** Używanie przewodu nadającego się do użytku na wolnym powietrzu zmniejsza ryzyko porażenia prądem.
- f) **Jeśli obsługa elektronarzędzia w wilgotnym miejscu jest nieunikniona, użyć zasilania wyposażonego w wyłącznik różnicowo-prądowy.** Użycie wyłącznika różnicowo-prądowego zmniejsza ryzyko porażenia prądem.

3) Bezpieczeństwo osoby obsługującej urządzenie

- a) **Przez cały czas należy mieć się na baczności, uważać na to, co się robi, a w czasie obsługi elektronarzędzia akumulatorowego postępować mając na uwadze zdrowy rozsądek. Urządzenia nie powinny obsługiwać osoby zmęczone lub będące pod wpływem narkotyków, alkoholu lub leków.** Chwila nieuwagi w czasie obsługi elektronarzędzi akumulatorowych może być przyczyną powstania poważnych obrażeń ciała.

- b) **Należy korzystać ze sprzętu ochronnego oraz zawsze nosić okulary ochronne.** Sprzęt ochronny, jak na przykład maska przeciwpyłowa, antypoślizgowe obuwie ochronne, kask lub słuchawki ochronne używany we właściwych sytuacjach pozwoli na zmniejszenie ryzyka obrażeń ciała.
- c) **Unikać niezamierzonego uruchomienia. Przed podłączeniem urządzenia do sieci, zawsze sprawdź, czy przełącznik znajduje się w pozycji „wyłączony”.** Przenoszenie elektronarzędzi z palcem na przełączniku lub włączonych elektronarzędzi z przełącznikiem w położeniu włączenia jest bardzo niebezpieczne i może powodować wypadki.
- d) **Przed włączeniem elektronarzędzia akumulatorowego należy usunąć z niego wszystkie klucze nastawcze lub maszynowe.** Pozostawienie klucza zamocowanego na jednej z części obrotowych urządzenia może spowodować powstanie obrażeń ciała.
- e) **Nie należy sięgać ponad urządzeniem. Przez cały czas należy zachować odpowiednią równowagę i zapewnić odpowiednie oparcie dla stóp.** Pozwoli to na lepsze kontrolowanie urządzenia w nieoczekiwanych sytuacjach.
- f) **Należy nosić odpowiednie ubranie. Do pracy z urządzeniem nie wkładać luźnych ubrań ani biżuterii. Włosy, ubranie i rękawiczki trzymać z dala od części ruchomych.** Luźne części ubrania, biżuteria lub długie włosy mogą zostać wciągnięte przez części ruchome.
- g) **Jeśli w urządzeniu przewidziano elementy służące do odprowadzania i zbierania pyłu, należy sprawdzić, czy są podłączone, i czy działają we właściwy sposób.** Korzystanie z tego typu elementów pozwala ograniczyć ryzyko związane z wydzielaniem pyłu podczas pracy urządzenia.
- h) **Nie zezwalać na to, aby rutyna związana z częstym korzystaniem z narzędzi powodowała nadmierną pewność siebie i ignorowanie zasad bezpiecznego korzystania z narzędzi.** Nieodpowiedzialne działanie może spowodować poważne obrażenia ciała w ułamku sekundy.
- 4) Obsługa i konserwacja elektronarzędzi akumulatorowych**
- a) **Urządzenia nie należy przeciążać. Należy korzystać z narzędzia odpowiedniego do danego typu pracy.** Odpowiednio dobrane urządzenie pozwoli na lepsze i bezpieczniejsze wykonanie pracy, we właściwym dla urządzenia tempie.
- b) **Z elektronarzędzia akumulatorowego nie należy korzystać, jeśli nie można go włączyć i wyłączyć przy pomocy przełącznika.** Urządzenie, którego nie można kontrolować używając przełącznika jest niebezpieczne i powinno być oddane do naprawy.
- c) **Przed przystąpieniem do regulowania elektronarzędzi akumulatorowych, wymiany akcesoriów lub przygotowywania urządzeń do okresu przechowywania, należy odłączyć wtyczkę od źródła zasilania.** Tego typu środki ostrożności zmniejszają ryzyko przypadkowego uruchomienia urządzenia.
- d) **Nieczynne elektronarzędzia akumulatorowe należy przechowywać poza zasięgiem dzieci. Nie należy pozwolić, aby osoby nie znające urządzenia lub niniejszych instrukcji obsługi użyły urządzenia.** Elektronarzędzia akumulatorowe w rękach niekompetentnych użytkowników stanowią zagrożenie.
- e) **Elektronarzędzia akumulatorowe należy utrzymywać w dobrym stanie technicznym. Należy sprawdzać, czy części ruchome są właściwie założone, i czy się nie zacinają. Należy również sprawdzać, czy jakieś części nie są uszkodzone oraz sprawdzać wszelkie inne elementy, które mogą wpłynąć na pracę urządzeń.** Jeśli urządzenie jest uszkodzone, przed przystąpieniem do jego użytkowania, należy je naprawić. Częstą przyczyną wypadków jest zły stan techniczny urządzeń.
- f) **Narzędzia służące do cięcia powinny być naostrzone i utrzymywane w czystości.** Jeśli narzędzia służące do cięcia, które posiadają ostre krawędzie tnące, są właściwie konserwowane, istnieje mniejsze prawdopodobieństwo ich zacinania się. Ponadto, łatwiej je kontrolować.
- g) **Elektronarzędzia akumulatorowego, akcesoriów, nakładek, itp. należy używać zgodnie z niniejszymi instrukcjami oraz w sposób właściwy dla danego rodzaju urządzenia, z uwzględnieniem warunków pracy oraz jej rodzaju.** Używanie urządzenia niezgodnie z przeznaczeniem może prowadzić do powstania sytuacji niebezpiecznych.
- h) **Uchwyty należy utrzymywać w stanie suchym, czystym i niezabrudzonym olejem lub smarem.** Śliskie uchwyty i powierzchnie do chwytania nie pozwalają na bezpieczne obchodzenie się z narzędziem i panowanie nad nim w nieoczekiwanych sytuacjach.

- 5) **Użytkowanie i konserwacja urządzenia zasilanego akumulatorami**
- a) **Ładować tylko przy użyciu ładowarki określonej przez producenta.** Ładowarka przewidziana dla jednego rodzaju akumulatorów stwarza ryzyko pożaru w przypadku użycia jej z innym zestawem akumulatorów.
 - b) **Należy używać jedynie akumulatorów przeznaczonych dla danego urządzenia.** Użycie innych akumulatorów stwarza ryzyko wystąpienia obrażeń ciała lub pożaru.
 - c) **Kiedy akumulatory nie są używane, należy przechowywać je z dala od przedmiotów metalowych, takich jak spinacze do papieru, monety, klucze, gwoździe, śruby lub inne niewielkie przedmioty metalowe, które mogłyby spowodować zwarcie pomiędzy stykami.** Zwarcie styków akumulatora może spowodować pożar.
 - d) **W przypadku przeciążenia z akumulatora może wycieknąć płyn; nie należy go dotykać. W razie przypadkowego kontaktu przemyć skórę wodą. W przypadku dostania się płynu do oczu należy skontaktować się z lekarzem.** Płyn z akumulatora może powodować podrażnienia lub oparzenia.
 - e) **Nie używać uszkodzonego ani zmodyfikowanego akumulatora lub narzędzia.** Uszkodzone lub zmodyfikowane akumulatory mogą działać w sposób nieoczekiwany, co może powodować pożar, wybuch lub ryzyko obrażeń ciała.
 - f) **Nie wystawiać akumulatora ani narzędzia na działanie płomienia lub zbyt wysokiej temperatury.** Narażenie na działanie płomienia lub temperatury powyżej 130°C może spowodować wybuch. UWAGA Temperaturę „130 °C“ można zastąpić temperaturą „265 °F“.
 - g) **Przestrzegać wszystkich instrukcji ładowania i nie ładować akumulatora ani narzędzia poza zakresem temperatury podanym w instrukcji.** Nieprawidłowe ładowanie lub ładowanie w temperaturze poza podanym zakresem może spowodować uszkodzenie akumulatora i zwiększyć ryzyko pożaru.
- 6) **Serwis**
- a) **Zlecać serwisowanie elektronarzędzie wykwalifikowanemu technikowi stosującymi jedynie części zamienne identyczne z oryginalnymi.** Zapewni to zachowanie bezpieczeństwa elektronarzędzia.
 - b) **Nigdy nie serwisować uszkodzonych akumulatorów.** Serwisowanie akumulatorów może przeprowadzać wyłącznie producent lub autoryzowany serwis.

OSTRZEŻENIA DOTYCZĄCE BEZPIECZEŃSTWA UŻYTKOWANIA PILAREK TARCZOWYCH

Sposoby piłowania

- Trzymaj ręce z dala od strefy cięcia i tarczy tnącej. Drugą rękę oprzyj na uchwycie pomocniczym lub na korpusie silnika. Trzymając pilarkę obiema rękami zapobiegiesz zranieniu rąk przez tarczę tnącą.
- Nie sięgaj rękoma pod spód ciętego przedmiotu. Osłona nie zabezpiecza przed tarczą tnącą od spodu ciętego przedmiotu.
- Dostosuj głębokość cięcia do grubości ciętego przedmiotu. Spod ciętego przedmiotu powinna wystawać tylko część zęba tarczy tnącej.
- Nigdy nie trzymać obrabianego elementu w rękach lub na kolanach podczas cięcia. Cięty przedmiot należy zamocować na stabilnej platformie. Prawidłowe podparcie ciętego przedmiotu pozwoli zminimalizować ryzyko obrażeń ciała, zablokowania tarczy tnącej i utraty kontroli nad narzędziem.
- Elektronarzędzie należy trzymać za przeznaczone do tego celu izolowane powierzchnie, gdyż narzędzie tnące może wejść w kontakt z ukrytym przewodem. Zetknięcie z przewodem pod napięciem może sprawić, że odsłonięte metalowe części narzędzia również będą pod napięciem i spowodować porażenie operatora prądem.
- Do cięcia wzdłużnego zawsze używaj ogranicznika równoległego lub prowadnicy. Zwiększy to dokładność cięcia i zmniejszy ryzyko zablokowania się tarczy tnącej.
- Używaj tarcz tnących o prawidłowej wielkości i profilu (diamentowy albo okrągły) oraz odpowiedniej średnicy wewnętrznej. Tarcze tnące, które nie są dokładnie dopasowane do wału napędowego pilarki, nie obracają się prostopadle do niego, co powoduje utratę kontroli nad pilarką.
- Używanie uszkodzonych lub nieprawidłowych podkładek lub śrub mocujących tarczę jest zabronione. Podkładki i śruba mocująca tarczę zostały zaprojektowane w sposób zapewniający optymalne parametry pilarki i bezpieczeństwo jej obsługi.

PRZYCZYNY ODRZUTU I POWIĄZANE OSTRZEŻENIA

- „Odbicie” jest gwałtowną reakcją na ściśnięcie, zablokowanie lub brak prostoliniowości tarczy tnącej, skutkującą podniesieniem się i zeskoczeniem niekontrolowanej pilarki z ciętego przedmiotu w kierunku operatora.
- Jeśli tarcza tnąca jest mocno ściśnięta lub zablokowana w rzazie, jej obroty ustają a w wyniku reakcji silnika narzędzie zostaje gwałtownie wypchnięte w kierunku operatora.
- Jeśli tarcza tnąca ulegnie skręceniu lub przemieszczeniu w trakcie cięcia, zęby na jej tylnej krawędzi mogą wciąć się w górną powierzchnię drewna, co spowoduje wysunięcie się tarczy z rzazu i jej odskoczenie w kierunku operatora. „Odbicie” wynika z nieprawidłowego użycia piły i/lub niewłaściwych procedur albo warunków obsługi; można mu zapobiec stosując niżej wymienione środki ostrożności.
- Pewnie trzymaj pilarkę obiema rękami w taki sposób, który pozwoli Ci wytrzymać siłę odbicia. Ustaw się po dowolnej stronie tarczy tnącej; nigdy nie stawaj w jednej linii z tarczą. „Odbicie” może spowodować odskoczenie pilarki do tyłu, ale operator stosujący odpowiednie środki ostrożności jest w stanie utrzymać elektronarzędzie.
- W przypadku blokowania się tarczy tnącej, a także przy przerywaniu cięcia z jakiegokolwiek przyczyny, wciśnij wyłącznik i nieruchomo przytrzymaj tarczę tnącą w materiale do całkowitego ustania jej obrotów. Nie próbuj usuwać pilarki z ciętego przedmiotu ani pociągać jej do tyłu dopóki tarcza tnąca się obraca lub dopóki istnieje ryzyko „odbicia”. Wyjaśnij przyczynę unieruchomienia tarczy tnącej i zastosuj odpowiednie środki zaradcze.
- Uruhmiając ponownie pilarkę w ciętym materiale ustaw tarczę tnącą w środku rzazu i upewnij się, czy jej zęby nie są zaczepione o materiał. Zablokowana tarcza tnąca może się unieść lub odskoczyć od ciętego przedmiotu po ponownym uruchomieniu pilarki.
- Zawsze podpieraj duże płyty, by zminimalizować ryzyko ściśnięcia i „odbicia” tarczy tnącej. Duże płyty mogą uginać się pod własnym ciężarem. Podpory należy umieścić po obu stronach płyty, w pobliżu linii cięcia oraz przy krawędzi płyty.
- Używanie tępych lub uszkodzonych tarcz tnących jest zabronione. Nienaostrzone lub

nieprawidłowo zamontowane tarcze tnące wykonują wąski rzaz, powodując nadmierne tarcie, blokowanie tarczy i „odbicie”.

- Dłwignie do regulacji głębokości i skosu cięcia należy solidnie i bezpiecznie zamocować przed rozpoczęciem cięcia. Przesunięcie się suwaków regulacyjnych w trakcie cięcia może być przyczyną zablokowania i „odbicia” tarczy tnącej.
- Szczególną ostrożność należy zachować przy operacji wrzynania w materiał i wycinania otworów. Po przejściu przez materiał tarcza może natrafić na obiekty powodujące jej „odbicie”.

Funkcja dolnej osłony

- Przed każdym użyciem pilarki sprawdź, czy jej dolna osłona jest prawidłowo zamocowana. Dozwolone jest używanie tylko takiej pilarki, której dolna osłona porusza się swobodnie i natychmiast zamyka. Zaciśkanie lub przywiązywanie dolnej osłony w otwartym położeniu jest zabronione. Dolna osłona może się wygiąć po przypadkowym upuszczeniu pilarki. Unieś dolną osłonę używając wysuwanego uchwyty; upewnij się, że przy wszystkich możliwych kątach i głębokościach cięcia osłona swobodnie się porusza i nie dotyka ostrza ani jakiegokolwiek innej części.
- Sprawdź działanie sprężyny dolnej osłony. Jeśli osłona i sprężyna nie działają prawidłowo, pilarki nie wolno używać i należy ją oddać do naprawy. Swobodne poruszanie się osłony dolnej może być utrudnione z powodu uszkodzenia części albo ich zanieczyszczenia przez substancje lepkie lub inne zabrudzenia.
- Dolną osłonę można złożyć ręcznie wyłącznie w przypadku specjalnych cięć, jak „cięcie wgłębne i cięcie skośne”. Unieś dolną osłonę za pomocą wysuwanego uchwyty; dolna osłona musi być zwolniona natychmiast po wcięciu się ostrza w materiał. Przy wszystkich innych rodzajach cięcia dolna osłona powinna zadziałać automatycznie.
- Przed umieszczeniem pilarki na stole lub podłodze koniecznie upewnij się, czy tarcza tnąca jest osłonięta przez dolną osłonę. Niezabezpieczona tarcza tnąca w trakcie wybiegu może przesuwając się wstecz przecinając wszystko, co znajdzie się na jej drodze. Uwzględnij czas wybiegu, jaki wpływa od wciśnięcia wyłącznika do zatrzymania się tarczy tnącej.

DODATKOWE OSTRZEŻENIA DOTYCZĄCE BEZPIECZEŃSTWA

- Nie wkładać rąk do wyrzutnika wiórów. Może dojść do zranienia obracającymi się częściami.
- Nie pracować pilarką nad poziomem głowy. Taka praca nie zapewni wystarczającego panowania nad elektronarzędziem.
- Użyć odpowiednich detektorów do sprawdzenia, czy w miejscu pracy nie znajdują się ukryte kable elektryczne/rury wodne/gazowe lub skontaktować się z lokalnym dostawcą energii/wody/gazu w celu uzyskania pomocy. Kontakt z kablem elektrycznym może prowadzić do pożaru i porażenia prądem. Uszkodzenie rury z gazem może prowadzić do wybuchu. Przebicie rury z wodą spowoduje uszkodzenie mienia.
- Nie używać elektronarzędzia jako narzędzia stacjonarnego. Narzędzie nie jest przeznaczone do pracy z białem/stołem pilarki.
- Nie używać tarcz ze stali szybko tnącej (HSS). Takie tarcze łatwo pękają.
- Nie piłować metali żelaznych. Opiłki rozgrzane do czerwoności mogą spowodować zapłon pyłów.
- Podczas pracy maszyną zawsze mocno trzymać ją obiema rękami i stać w stabilnej pozycji. Tym elektronarzędziem pracuje się i kieruje bezpieczniej przy użyciu obu rąk.
- Zamocować obrabiany element. Obrabiany element zaciśnięty zaciskami lub w imadle jest zamocowany mocniej niż trzymany ręką.
- Przed odłożeniem maszyny zawsze poczekać na jej całkowite zatrzymanie. Końcówka narzędziowa może utknąć i doprowadzić do utraty panowania nad elektronarzędziem.
- Pilarki tarczowe są przeznaczone do przecinania drewna lub produktów drewnopodobnych i nie można ich używać ze ściernymi tarczami do odcinania do cięcia materiałów żelaznych, jak metalowe pręty, bolce, listwy, teowniki itp. Ścierny pył powoduje zacinać się części ruchomych, takich jak osłona dolna. Iskry z cięcia ściernego spowodują przypalenie dolnej osłony, wkładki rzazu i innych części z tworzyw sztucznych.
- Używać wyłącznic tarcz oznaczonych prędkością równą od wyższą od podanej na maszynie.
- Używać wyłącznie tarcz zgodnych z parametrami podanymi w tej instrukcji obsługi i przetestowanych oraz oznaczonych zgodnie z EN 847-1.

2. INFORMACJE O MASZYNIE

Przeznaczenie

Ta pilarka tarczowa jest przeznaczona do wzdłużnego, poprzecznego i skośnego cięcia drewna. Podczas cięcia płyta dolna musi mocno spoczywać na obrabianym elemencie. Nie wolno ciąć tworzyw sztucznych ani metali. Elektronarzędzie z zamocowaną tarczą ma wystarczającą moc do cięcia drewna twardego i miękkiego oraz płyt wiórowych i pilśniowych. Tarcza nie jest przeznaczona do cięcia drewna opałowego. Nie używać pilarki do cięcia takiego materiału.

Nr. modelu	CS502AC
Napięcie	230-240 V~
Częstotliwość	50 Hz
Moc	1200 W
Prędkość biegu jałowego	5500/min
Tarcza tnąca	Ø185x Ø20x2.4mm
Parametry cięcia 0°	65mm
Parametry cięcia 45°	43mm
Klasa ochrony (bryzgoszczelności)	IP20
Ciężar	3.47 kg
Poziom ciśnienia akustycznego LPA	92.8 dB(A), K=3dB(A)
Poziom mocy akustycznej LWA	103.8 dB(A), K=3dB(A)
Wartość drgań	3.201 m/s ² K=1.5 m/s ²

Poziom drgań

Poziom emisji drgań podany w tej instrukcji obsługi został zmierzony zgodnie ze standaryzowanym testem podanym w normie EN 62841; może on służyć do porównywania narzędzi ze sobą oraz do wstępnego oszacowania ekspozycji na drgania podczas użytkowania narzędzia do podanych zastosowań.

- używanie narzędzia do innych zastosowań lub z innymi lub źle konserwowanymi akcesoriami może znacząco zwiększać poziom ekspozycji.
- okresy, gdy narzędzie jest wyłączone lub okresy, gdy jest włączone, ale nie pracuje, mogą znacząco zmniejszać poziom ekspozycji.

Chronić się przed wpływem drgań, konserwując odpowiednio narzędzie i akcesoria, utrzymując ciepłotę dłoni oraz odpowiednio organizując pracę.

OPIS

Liczby w tekście odnoszą się do rysunków na stronach 2-3.

1. Rękojeść
2. Włacznik/wyłącznik
3. Przycisk wyłączania blokady
4. Kabel sieciowy
5. Uchwyt pomocniczy
6. Podziałka kąta cięcia skośnego
7. Śruba zaciskająca kąta cięcia skośnego
8. Oznaczenie cięcia, 45°
9. Oznaczenie cięcia, 0°
10. Śruba zaciskająca prowadnicy równoległej
11. Rura odprowadzania pyłu
12. Dźwignia składania osłony dolnej
13. Osłona górna
14. Osłona dolna
15. Śruba zaciskająca
16. Kołnierz zaciskający
17. Płyta podstawy
18. Tarcza
19. Blokada wrzeciona
20. Dźwignia do regulacji głębokości
21. Podziałka regulacji głębokości
22. Prowadnica równoległa
23. Śruba szczotki węglowej

3. MONTAŻ

Przed rozpoczęciem montażu zawsze wyłączać maszynę i wyjmować wtyczkę zasilania sieciowego z gniazdka.

Wymiana tarczy (Rys. A, B)

Podczas montażu tarczy nosić rękawice ochronne. Ryzyko obrażeń ciała w wyniku dotknięcia tarczy pilarki.



Używać wyłącznie tarcz zgodnych z danymi technicznymi podanymi w instrukcji.



Pod żadnym pozorem nie używać tarcz ściernych do cięcia.

Do wymiany tarczy najlepiej ustawić głębokość na 0 mm i ustawić kąt cięcia skośnego na 0°. Następnie maszynę można położyć na boku, aby spoczywała na obudowie silnika i płycie podstawy.

Demontaż tarczy

1. Wcisnąć i przytrzymać przycisk blokady wrzeciona (19).
2. Poluzować śrubę zaciskającą (15) za pomocą dołączonego klucza imbusowego, obracając ją przeciwnie do wskazówek zegara.
3. Zdemontować śrubę zaciskającą (15) i kołnierz zaciskający (16).
4. Wsunąć osłonę dolną (14) przy pomocy dźwigni (12) i zdemontować tarczę tnącą.

Montaż tarczy

1. Oczyścić tarczę i wszystkie części zaciskające do zamontowania.
2. Wsunąć osłonę dolną (14) przy pomocy dźwigni (12) i zamontować tarczę tnącą. Dopilnować, aby strzałka na tarczy była ustawiona zgodnie ze strzałką na osłonie dolnej (14).
3. Zamontować kołnierz zaciskający (16). Dopilnować, aby płaskie boki kołnierza zaciskającego pasowały do płaskich boków wału tarczy. Dopilnować również, aby wklęsła strona kołnierza zaciskającego była skierowana na zewnątrz.
4. Wcisnąć i przytrzymać przycisk blokady wrzeciona (19).
5. Dokręcić śrubę zaciskającą (15) za pomocą dołączonego klucza imbusowego, obracając ją zgodnie ze wskazówkami zegara.

Montaż prowadnicy równoległej (Rys. D)

1. Poluzować śrubę zaciskową prowadnicy równoległej (10).
2. Zamontować prowadnicę równoległą (22) na płycie podstawy (17).
3. Ustawić żadaną szerokość cięcia z użyciem podziałki na prowadnicy równoległej (22) i oznaczenia cięcia na płycie podstawy (17). Oznaczenie cięcia 45° (8) oznacza położenie tarczy do cięcia pod kątem 45°. Oznaczenie cięcia 0° (9) oznacza położenie tarczy do cięcia pod kątem prostym.
4. Dokręcić śrubę zaciskową (10).

4. OBSŁUGA**Włączanie i wyłączanie narzędzia (Rys. A, B)**

- Aby włączyć maszynę, wcisnąć i przytrzymać przycisk wyłączania blokady (3) i wcisnąć włącznik (2).
- Aby zatrzymać maszynę, zwolnić włącznik (2).

Regulacja kąta cięcia skośnego (Rys. A, B)

Oznaczenie cięcia 0° (9) oznacza położenie tarczy do cięcia prostego. Oznaczenie cięcia 45° (8) oznacza położenie tarczy do cięcia pod kątem 45°.

1. Poluzować śrubę zaciskową (7).
2. Przesunąć płytę podstawy (17) w żądane położenie (0°- 45°). Kąt piłowania (cięcia skośnego) można odczytać na podziałce (6).
3. Dokręcić śrubę motylkową (7).

Regulacja głębokości cięcia (Rys. C)

1. Poluzować dźwignię regulacji głębokości (20).
2. Przesunąć płytę podstawy (17) w żądane położenie. Głębokość cięcia można odczytać na podziałce (21).
3. Dokręcić dźwignię regulacji głębokości (20).

Optymalne wykorzystanie

- Zablokować przedmiot obrabiany w ten sposób, aby móc obsługiwać i trzymać piłę oburącz.
- Włączyć piłę tarczową i umieścić spód piły na przedmiocie obrabianym.
- Przesunąć piłę wolno do uprzednio zaznaczonej linii piłowania i nacisnąć ostrożnie wprzód.
- Spód piły przyciskać mocno do przedmiotu obrabianego.
- Pozwól piłę wykonać pracę! Dlatego nie należy przyciskać za mocno piły do obrabianego przedmiotu.

5. KONSERWACJA

Przed rozpoczęciem czyszczenia i konserwacji zawsze wyłączać maszynę i wyjąć wtyczkę zasilania sieciowego z gniazdka.

Czyścić obudowę maszyny regularnie miękką ściereczką, najlepiej po każdym użyciu. Dopilnować, aby otwory wentylacyjne były wolne od pyłu, kurzu i zabrudzeń. Usuwać odporne zabrudzenia miękką ściereczką zwilżoną mydlinami. Nie używać żadnych rozpuszczalników, takich jak benzyna, alkohol, amoniak itp. Takie substancje chemiczne spowodują uszkodzenie części z tworzyw sztucznych.

ŚRODOWISKO

Uszkodzone i/lub niepotrzebne urządzenia elektryczne lub elektroniczne podlegają zbiórce w odpowiednich punktach recyklingu.

Tylko kraje WE

Nie wyrzucać elektronarzędzi wraz z odpadami z gospodarstw domowych. Zgodnie z dyrektywą 2012/19/EU dotyczącą zużytych urządzeń elektrycznych i elektronicznych oraz jej wdrożeniem do prawodawstwa krajowego, elektronarzędzia, które już nie nadają się do użytku, podlegają oddzielnej zbiórce oraz utylizacji w sposób przyjazny dla środowiska.

GWARANCJA

Produkty VONROC są wytwarzane zgodnie z najwyższymi standardami jakości i producent udziela gwarancji na wady materiałowe i wady wykonania na okres wymagany prawem, licząc od dnia zakupu. Jeśli wystąpi usterka produktu w tym okresie spowodowana wadą materiałową i/lub wadą wykonania, proszę bezpośrednio skontaktować się ze sprzedawcą VONROC.

Następujące okoliczności powodują unieważnienie gwarancji:

- Przeprowadzono naprawy lub modyfikacje narzędzia w serwisie innym lub autoryzowany lub podjęto ich próbę;
- Normalne zużycie nie jest objęte gwarancją;
- Narzędzie było używane niezgodnie z przeznaczeniem, źle z nim się obchodzono lub było nieprawidłowo konserwowane;
- Użyto części zamiennych innych niż oryginalne.

Niniejsza gwarancja to wyłączna gwarancja producenta i nie obowiązują żadne inne wyrażone ani dorozumiane gwarancje. Nie obowiązują żadne inne wyrażone ani dorozumiane gwarancje o zakresie przekraczającym niniejszą gwarancję, co obejmuje dorozumiane gwarancje przydatności do sprzedaży i przydatności do określonego celu. W żadnym przypadku firma VONROC nie ponosi odpowiedzialności za straty przypadkowe lub wynikowe. Zadośćuczynienie sprzedawcy jest ograniczone do naprawy lub wymiany niezgodnych urządzeń lub części.

Produkt i instrukcja obsługi podlegają zmianom. Dane techniczne podlegają zmianom bez uprzedzenia.

1. INSTRUCȚIUNI DE SIGURANTA

Cititi avertizarile de siguranta, avertizarile de siguranta suplimentare si instructiunile. Nerespectarea avertizarilor de siguranta poate cauza producerea de electrocutari, incendii si/sau raniri grave. Pastrati avertizarile de siguranta si instructiunile pentru referinte viitoare.

În manualul de utilizare sau pe produs se utilizeaza urmatoarele simboluri:



Cititi manualul de utilizare.



Indica riscul de ranire personala, pierderea vietii sau deteriorarea sculei în cazul în care nu se respecta instructiunile din acest manual.



Indica riscul electrocutarii.



Indepartati imediat fisa de la priza de retea in cazul in care cablul de alimentare se deterioreaza in timpul procedurilor de curatare si de intretinere.



Mașină clasa II - Izolație dublă - Nu aveți nevoie de nicio priză de împământare.



Persoanele din jur, în special copiii și animalele de companie trebuie să păstreze o distanță mai mare de 10 m.



Purtați protecție pentru ochi.



Purtați protecții antifonice.



Purtați mască de protecție antipraf.



Țineți cont de dimensiunile lamei de ferăstrău. Diametrul găurii trebuie să se potrivească cu axul sculei fără a exista spații libere. Dacă este necesar să utilizați reductoare, asigurați-vă că dimensiunile reductorului sunt adecvate pentru grosimea lamei de bază și diametrul găurii lamei ferăstrăului, precum și pentru diametrul axului sculei. Ori de câte ori este

posibil, utilizați reductoarele furnizate împreună cu lama ferăstrăului. Diametrul lamei de ferăstrău trebuie să corespundă informațiilor specificate pe simbol.



Zonă de pericol! Păstrați mâinile la distanță (10 cm) față de zona de tăiere în timp ce mașina este în funcțiune. Pericol de rănire atunci când intrați în contact cu lama ferăstrăului.



Nu scoateți din uz produsul în containere neadecvate.



Produsul este în conformitate cu standardele de siguranță aplicabile din directivele europene.

REGULI GENERALE DE PROTECȚIA MUNCII



AVERTISMENT! Citiți toate avertizările de siguranță și toate instrucțiunile. Respectarea tuturor instrucțiunilor prezentate în cele ce urmează este obligatorie pentru evitarea riscurilor de electrocutare, incendiu și/sau de vătămări grave.

Păstrați aceste instrucțiuni.

Termenul "sculă electrică" ce apare în toate avertismentele de mai jos se referă la scula electrică alimentată la priză (prin cablu de alimentare) sau la scula electrică alimentată prin acumulatori (fără cablu de alimentare).

1) Spațiul de lucru

- Mentineți spațiul de lucru curat și bine iluminat.** Spațiile de lucru dezordonate și întunecate predispon la accidente.
- Nu utilizați sculele electrice în medii explozive, ca de exemplu în prezența unor materiale inflamabile cum ar fi lichide, gaze sau praf.** Sculele electrice produc scânteii, care pot aprinde praful sau vaporii.
- În timpul lucrului cu o sculă electrică, nu lăsați copiii sau privitorii să se apropie.** Micșorarea atenției vă poate face să pierdeți controlul.

2) Securitatea din punct de vedere electric

- Ștecherile sculelor electrice trebuie să se potrivească în priza de alimentare. Nu modificați**

ștecherul niciodată și în nici un fel. Nu folosiți ștechere de adaptare pentru sculele electrice cu legare la pământ (împământate). Ștecherele nemodificate și prizele de alimentare corespunzătoare vor reduce riscul de electrocutare.

- b) **Evitați contactul corporal cu suprafețele împământate, cum ar fi conducte, radiatoare, plite sau frigidere.** Există un risc sporit de electrocutare în cazul în care corpul dumneavoastră este legat la pământ.
- c) **Nu expuneți sculele electrice la ploaie sau la umezeală.** În urma intrării apei într-o sculă electrică va crește riscul de electrocutare.
- d) **Nu forțați cablul de alimentare. Nu folosiți niciodată cablul de alimentare pentru transportul, tragerea sau scoaterea din priză a sculei electrice. Țineți cablul de alimentare departe de sursele de căldură, petrol, vârfuri ascuțite sau de piese în mișcare.** Cablurile de alimentare deteriorate sau încălcite duc la creșterea riscului de electrocutare.
- e) **Atunci când folosiți o sculă electrică în exterior, utilizați un prelungitor corespunzător lucrului în exterior.** Utilizarea unui prelungitor corespunzător lucrului în exterior reduce riscul de electrocutare.
- f) **În cazul în care operarea unei unelte electrice într-un spațiu cu umiditate nu poate fi evitată, utilizați o alimentare cu dispozitiv de protecție la curent rezidual (RCD).** Utilizarea unui dispozitiv RCD reduce riscul electrocutării.

3) Securitatea personală

- a) **Atunci când folosiți o sculă electrică fiți concentrat, fiți atent la ceea ce faceți și acționați conform bunului simț. Nu folosiți o sculă electrică atunci când sunteți sub influența drogurilor, alcoolului sau a medicamentelor.** Un moment de neatenție în timpul utilizării sculelor electrice poate duce la vătămări personale grave.
- b) **Utilizați echipamentul de protecție corporală. Folosiți întotdeauna ochelari de protecție.** Folosirea echipamentelor de protecție conform condițiilor de lucru, ca de exemplu măști de praf, încălțăminte de protecție anti-alunecare, căști de protecție sau antifoane va reduce vătămrile personale.
- c) **Evitați pornirea accidentală. Înainte de a introduce scula electrică în priză de alimentare, asigurați-vă că aveți comutatorul de acționare în poziția oPRiT (off).** Transportarea uneltelor

electrice ținând degetul pe întrerupător sau alimentarea cu tensiune a uneltelor electrice ce au întrerupătorul în poziția pornit înlesnesc producerea.

- d) **Înainte de a pune în funcțiune scula electrică, îndepărtați toate penele sau cheile de reglare.** O cheie sau o pană care au fost lăsate atașate de o parte rotativă a sculei electrice poate duce la vătămări personale.
 - e) **Nu vă întindeți pentru a ajunge la punctul de lucru.** Mențineți permanent un contact ferm al piciorului și un echilibru stabil. În acest fel puteți controla mai bine scula electrică în situații neprevăzute.
 - f) **Îmbrăcați-vă în mod adecvat. Nu purtați haine largi sau bijuterii. Părul, hainele și mânușile trebuie menținute departe de părțile în mișcare.** Hainele largi, părul și bijuteriile pot fi agățate și prinse de părțile în mișcare.
 - g) **Dacă dispozitivele sunt construite pentru a fi conectate la echipamente de extragere și colectare a prafului, asigurați-vă că aceste echipamente sunt conectate și funcționează corect.** Folosirea unor astfel de echipamente poate reduce pericolele legate de praf.
 - h) **Nu lăsați ca obișnuința obținută prin utilizarea frecventă a uneltelor să vă permită să deveniți impasibil și să ignorați principiile de siguranță în utilizarea uneltelor.** O acțiune neglijentă poate provoca accidente grave într-o fracțiune de secundă.
- ### 4) Utilizarea și întreținerea sculei electrice
- a) **Nu forțați scula electrică. Folosiți scula electrică adecvată operațiunii care trebuie efectuată.** O sculă electrică adecvată își va efectua mai bine și mai în siguranță sarcina deoarece este folosită la parametrii pentru care a fost proiectată.
 - b) **Nu folosiți scula electrică în cazul în care comutatorul de acționare nu realizează pornirea și oprirea acesteia.** Orice sculă electrică ce nu poate fi comandată cu ajutorul comutatorului de acționare este periculoasă și trebuie reparată.
 - c) **Înainte de a efectua orice fel de reglaje, schimbări ale accesoriilor sau pe perioada depozitării sculelor electrice deconectați ștecherul de la sursa de energie electrică.** Astfel de măsuri preventive reduc riscul de pornire accidentală a sculei electrice.
 - d) **Nu depozitați sculele electrice neutilizate la îndemâna copiilor și nu permiteți persoanelor**

care nu sunt familiare cu sculele electrice sau cu prezentele instrucțiuni să le utilizeze. Sculele electrice sunt periculoase atunci când sunt utilizate de către persoane neinstruite.

- e) **Întrețineți sculele electrice. Verificați alinierea sau prinderea părților în mișcare, verificați componentele sculei pentru a vă asigura că nu sunt sparte și, de asemenea, verificați orice alte situații care ar putea afecta funcționarea sculei electrice. Dacă scula electrică se defectează, reparați-o înainte de a o refolosi.** Sculele electrice întreținute necorespunzător duc la producerea multor accidente.
- f) **Mențineți sculele așchietoare ascuțite și curate.** Sculele așchietoare întreținute corespunzător, având muchiile tăietoare ascuțite, se întepenesc mai greu și sunt mai ușor de controlat.
- g) **Utilizați sculele electrice, accesoriile și burghiile etc., în conformitate cu prezentele instrucțiuni și în mod corespunzător tipului de sculă electrică utilizat, ținând seama de condițiile de lucru și de sarcina care trebuie efectuată.** Utilizarea unor scule electrice pentru operații diferite de cele pentru care acestea au fost proiectate poate duce la situații periculoase.
- h) **Țineți mânerul și suprafețele de prindere uscate, curate și lipsite de ulei și unsoare.** Mânere și suprafețele de prindere alunecoase nu permit manipularea și controlul uneltei în de siguranță în situații neașteptate.
- 5) **Utilizarea și întreținerea uneltei cu acumulator**
 - a) **Încărcați din nou numai cu încărcătorul specificat de producătorul.** Încărcătorul potrivit cu un tip de acumulator poate crea riscul incendiului dacă este utilizat cu un alt acumulator.
 - b) **Folosiți instrumentele electrice numai cu acumulatorii proiectate specific.** Utilizarea oricărui alte acumulatorii pot crea riscul accidentului personal și al incendiului.
 - c) **În timp ce acumulatorul nu este utilizat, feriți-l de alte obiecte metalice cum ar fi cleme de birou, monede, chei, cuie, șuruburi ori alte obiecte metalice mărunte care ar putea crea conexiunea de la un terminal până la celălalt.** Scurtcircuitarea terminalelor bateriei poate cauza arsuri sau incendiu.
 - d) **Ca urmare a folosirii necorespunzătoare, din acumulator se poate scurge lichid. Evitați contactul cu acesta. În caz de contact accidental, clătiți cu apă. Dacă lichidul intră în contact cu**

ochi, pe lângă măsurile amintite consultați și un medic. Lichidul care se scurge din acumulator poate provoca iritarea pielii sau arsuri.

- e) **Nu folosiți un acumulator sau o unealtă care este deteriorată sau modificată.** Acumulatorii deteriorați sau modificați pot avea un comportament imprevizibil care rezultă în foc, explozie sau risc de rănire.
- f) **Nu expuneți acumulatorul sau unealta la foc sau temperatură excesivă.** Expunerea la foc sau temperaturi de peste 130 °C poate provoca explozie. **OBSERVAȚIE** Temperatura „130 °C” poate fi înlocuită cu temperatura „265 °F”.
- g) **Respectați toate instrucțiunile de încărcare și nu încărcați acumulatorul sau unealta în afara intervalului de temperatură specificat în instrucțiuni.** Încărcarea necorespunzătoare sau la temperaturi în afara domeniului specificat poate deteriora acumulatorul și poate crește riscul de incendiu.

6) Service

- a) **Prevedeți repararea uneltei de lucru de către o persoană calificată, folosind exclusiv piese de schimb identice.** Astfel, vă asigurați că este păstrată siguranța uneltei electrice.
- b) **Niciodată nu serviți acumulatorii deteriorați.** Servisarea acumulatorilor ar trebui să fie efectuată numai de către producător sau furnizorii autorizați de service.

AVERTIZĂRI DE SIGURANȚĂ PENTRU FERĂSTRĂILE CIRCULARE

Metode de tăiere

- **Avertisment: Țineți mâinile la distanță de zona de tăiere și de lamă.** Țineți cealaltă mână pe mânerul auxiliar sau pe carcasa motorului. Dacă țineți ferăstrăul cu ambele mâini, acestea nu pot fi secționare de lamă.
- **Nu vă aplecați sub piesa de prelucrat.** Dispozitivul de protecție nu vă poate proteja de lama de sub piesa de prelucrat.
- **Ajustați adâncimea de tăiere până la grosimea piese de prelucrat.** Sub piesa de prelucrat trebuie să fie vizibil mai puțin de un dinte întreg de lamă.
- **Nu țineți niciodată piesa care este tăiată în mână sau pe picior.** Fixați piesa de prelucrat pe o platformă stabilă. Este important să asigurați lucrul în mod adecvat pentru minimizarea expunerii fizice, gripării lamei sau pierderii controlului.

- **Țineți unealta electrică numai de suprafețele izolate pentru prindere atunci când efectuați o operație în care scula de tăiere pot atinge cabluri ascunse.** Contactul cu un cablu „sub tensiune” va cauza și tensiunea părților metalice expuse ale sculei electrice, ceea ce poate provoca electrocutarea operatorului.
- **Când spintecați, utilizați întotdeauna o riglă de ghidare sau un dispozitiv lineal.** Aceasta îmbunătățește precizia tăieturii și reduce riscul de gripare a lamei.
- **Utilizați întotdeauna lame cu dimensiunea și forma orificiilor axului corecte (de diamant sau rotunde).** Lamele care nu se potrivesc cu ferăstrăul funcționează excentric, cauzând pierderea controlului.
- **Nu utilizați niciodată șuruburi și șaibe de lamă deteriorate sau neadecvate.** Șurubul și șaibele lamei au fost proiectate special pentru ferăstrăul dvs., pentru o performanță optimă și siguranța de funcționare.

Cauzele reculului și avertizări asociate acestuia

- Reculul este o reacție bruscă la lama de ferăstrău ciupită, gripată sau nealinată, cauzând ridicarea și ieșirea din piesa de prelucrat către operator a ferăstrăului necontrolat;
 - Când lama este ciupită sau gripată de închiderea tăieturii, lama se oprește și reacția motorului împinge unitatea rapid înapoi către operator;
 - Dacă lama se răsucesce sau devine nealinată în tăietură, dinții de pe marginea din spate a lamei se pot înfige în suprafața superioară a lemnului, cauzând ieșirea lamei din tăietură și saltul înapoi către operator.
 - Reculul este rezultatul utilizării incorecte a ferăstrăului și/sau al procedurilor sau al condițiilor incorecte de funcționare, care pot fi evitate urmând măsurile de precauție adecvate, după cum este indicat mai jos.
 - **Țineți ferăstrăul ferm cu ambele mâini și poziționați-vă brațele pentru a rezista forțelor de recul. Poziționați-vă corpul de o parte sau alta a lamei.** nu în aceeași linie cu aceasta. Reculul poate cauza saltul înapoi al ferăstrăului, dar dar forțele de recul pot fi controlate de operator, dacă sunt luate măsurile de precauție adecvate.
 - **Când lama este gripată, sau când întrerupeți tăierea din orice motiv, eliberați declanșatorul și mențineți ferăstrăul nemișcat în material până la oprirea completă a lamei.** Nu încercați
- niciodată să scoateți ferăstrăul din piesă sau să-l trageți înapoi în timp ce lama este în mișcare, deoarece se poate produce recul. Investigați și luați măsurile de corecție pentru eliminarea cauzei gripării lamei.
- **Când reporniți ferăstrăul în piesa de prelucrat, centrați lama în tăietură și verificați dacă dinții lamei nu sunt angrenați în material.** Dacă lama de ferăstrău se gripează, poate ieși sau produce recul din piesa de prelucrat la repornirea ferăstrăului.
 - **Sprîjiniți panourile mari pentru minimizarea riscului de ciupire a lamei și recul.** Piese mari se pot încovoia sub propria greutate. Trebuie amplasate suporturi sub panou pe ambele părți, lângă linia de tăiere și lângă marginea panoului.
 - **Nu utilizați lame tocite sau deteriorate.** Lamele neascutite sau amplasate incorect produc tăieturi înguste, cauzând o frecare excesivă, griparea lamei și recul.
 - **Manetele de blocare a adâncimii lamei și de reglare a înclinației trebuie strânse și fixate înainte de tăiere.** Dacă reglarea înclinației se modifică în timpul tăierii, aceasta poate cauza gripare și recul.
 - **Procedați cu mare atenție când efectuați o tăietură în pereți existenți sau în zone fără vizibilitate.** Lama care pătrunde poate tăia obiecte care pot cauza recul.

Funcția dispozitivului de protecție inferior

- **Verificați dacă dispozitivul de protecție inferior este închis înainte de fiecare utilizare.** Nu acționați ferăstrăul dacă dispozitivul de protecție inferior nu se mișcă liber și nu se închide instantaneu. Nu fixați sau strângeți niciodată dispozitivul de protecție inferior în poziția deschis. Dacă ferăstrăul este scăpat accidental, dispozitivul de protecție inferior se poate îndoi. Ridicați dispozitivul de protecție inferior cu mânerul retractabil și asigurați-vă că se mișcă liber și nu atinge lama sau altă piesă, în niciun unghi și la nicio adâncime de tăiere.
- **Verificați funcționarea arcului dispozitivului de protecție inferior. Dacă dispozitivul de protecție și arcul nu funcționează corect, acestea trebuie depanate înainte de utilizare.** Dispozitivul de protecție inferior poate funcționa lent datorită pieselor deteriorate, depunerilor lipicioase sau acumulării rămășițelor.
- **Dispozitivul de protecție inferior trebuie retrac-**

tat manual numai pentru tăieturi speciale, cum sunt „tăieturile transversale” și „tăieturile combinate”. Ridicați dispozitivul de protecție inferior de mânerul retractabil, iar imediat ce lama pătrunde în material, dispozitivul de protecție inferior trebuie eliberat. Pentru toate celelalte tipuri de tăiere, dispozitivul de protecție inferior trebuie acționat automat.

- **Asigurați-vă întotdeauna că dispozitivul de protecție inferior acoperă lama înainte de așezarea ferăstrăului pe masă sau podea.** Lama neprotejată, cu mers din inerție va cauza mersul înapoi al ferăstrăului, tăind orice întâlneste în cale. Fiți conștient de timpul necesar lamei pentru oprire după eliberarea întrerupătorului.

AVERTIZĂRI DE SIGURANȚĂ SUPLIMENTARE

- **Nu introduceți mâna în ejectorul de așchii.** Acestea ar putea fi rănite din cauza rotirii pieselor.
- **Nu lucrați cu ferăstrăul suspendat deasupra capului.** În acest mod nu aveți un control suficient asupra sculei electrice.
- **Utilizați detectoare adecvate pentru a determina dacă liniile de utilități sunt ascunse în zona de lucru sau pentru a solicita asistență companiei locale de utilități.** Contactul cu liniile electrice poate duce la incendii și șocuri electrice. Deteriorarea unei conducte de gaz poate duce la explozie. Penetrarea unei linii de apă provoacă daune materiale.
- **Nu operați unealta electrică în repaus.** Nu este proiectat pentru operarea cu o masă de ferăstrău.
- **Nu utilizați lame de ferăstrău din oțel de mare viteză (HSS).** Astfel de lame de ferăstrău se pot rupe cu ușurință.
- **Nu tăiați cu ferăstrăul metale feroase.** Scânteile pot aprinde praful aspirat.
- **Atunci când lucrați cu mașina, țineți-o ferm cu ambele mâini și asigurați-vă o poziție sigură.** Scula electrică este mai bine manevrată cu ambele mâini.
- **Fixați piesa de prelucrat.** O piesă de prelucrat prinsă în dispozitive de prindere sau într-o menghină este fixată mai sigur decât cu mâinile.
- **Întotdeauna așteptați până când mașina s-a oprit complet înainte de a o așeza jos.** Insertia sculei se poate bloca și poate duce la pierderea controlului asupra unelei electrice.
- **Ferăstraiele circulare sunt destinate tăierii lemnului sau a produselor asemănătoare lemnului,**

nu pot fi utilizate cu discuri de tăiere abrazive pentru tăierea materialelor feroase precum bare, tije, știfturi etc. Praful abraziv determină blocarea pieselor mobile, cum ar fi dispozitivul de protecție inferior. Scânteile generate de tăierea abrazivă vor arde dispozitivul de protecție inferior, insertia și alte piese din plastic.

- **Utilizați numai lame de ferăstrău marcate cu o viteză egală sau mai mare decât viteza marcată pe sculă.**
- **Utilizați numai lame pentru ferăstrău care corespund specificațiilor din acest manual de utilizare și care au fost testate și marcate în conformitate cu EN 847-1.**

2. INFORMAȚII CU PRIVIRE LA MAȘINĂ

DOMENIUL DE UTILIZARE

Acest ferăstrău circular este destinat tăierii longitudinale, transversale și oblice în lemn, păstrând în același timp placa de bază sprijinită ferm pe piesa de prelucrat. Tăierea materialelor plastice sau a metalelor nu este permisă. Unealta electrică cu lama de ferăstrău montată este proiectată cu o capacitate suficientă pentru tăierea lemnului de esență tare și a lemnului de esență moale, precum și a plăcilor de pal și de MDF. Lama de ferăstrău nu este concepută pentru tăierea lemnului de foc. Nu folosiți ferăstrăul pentru a tăia alte materiale decât cele specificate în manual.

Nr. model	CS502AC
Voltajul	230-240 V~
Frecvența	50 Hz
Puterea absorbită	1200 W
Turațiile la mers în gol	5500/min
Dimensiunile pânzei de ferăstrău	Ø185x Ø20x2.4mm
Capacitate de tăiere 0°	65mm
Capacitate de tăiere 45°	43mm
IP Clasa	IP20
Greutatea	3.47 kg
Nivelul presiunii sonore LPA	92.8 dB(A), K=3dB(A)
Nivelul puterii sonore LWA	103.8 dB(A), K=3dB(A)
Vibrație	3.201 m/s ² K=1.5 m/s ²

Nivelul vibrațiilor

Nivelul emisiilor de vibrații menționat în acest manual de instrucțiuni a fost măsurat în conformitate cu un test standardizat precizat în EN 62841; poate fi folosit pentru a compara o sculă cu alta și ca evaluare preliminară a expunerii la vibrații atunci când folosiți scula pentru aplicațiile menționate:

- utilizarea sculei pentru aplicații diferite sau cu accesorii diferite și prost întreținute, poate crește semnificativ nivelul de expunere;
- momentele în care scula este oprită sau când funcționează dar nu execută nicio lucrare, pot reduce semnificativ nivelul de expunere.

Protejați-vă împotriva efectelor vibrațiilor prin întreținerea sculei și a accesoriilor sale, păstrand mainile calde și organizând procesele de lucru.

DESCRIERE

Numeralele din text se referă la diagramele de la paginile 2-3.

1. Mâner
2. Comutator pornire/oprire
3. Buton blocare
4. Cablu de alimentare
5. Mâner auxiliar
6. Indicator pentru unghi înclinat
7. Șurub de prindere pentru unghi înclinat
8. Marcaj de tăiere, 45°
9. Marcaj de tăiere, 0°
10. Șurub de prindere pentru ghidaj paralel
11. Port de extragere a prafului
12. Mâner pentru retragerea dispozitivului inferior de protecție
13. Dispozitiv de protecție superior
14. Dispozitiv de protecție inferior
15. Șurub de prindere
16. Flanșă de prindere
17. Placă de bază
18. Pânză de ferăstrău
19. Blocare ax
20. Mâner pentru reglarea adâncimii
21. Indicator pentru reglarea adâncimii
22. Ghidaj paralel
23. Șurubul de peria de carbon

3. ASAMBLARE



Înainte de asamblare, opriți alimentarea electrică a mașinii și deconectați fișa cablului de alimentare de la priza de rețea.

Înlocuirea lamei de ferăstrău (Fig. A, B)



La montarea lamei de ferăstrău, purtați mănuși de protecție. Pericol de rănire atunci când atingeți lama ferăstrăului.



Utilizați numai lame care corespund datelor caracteristice din instrucțiunile de operare.



În niciun caz nu folosiți discuri de șlefuit pe post de instrument de tăiere.

Pentru înlocuirea lamei ferăstrăului, cel mai bine este să setați adâncimea la 0 mm și să setați unghiul înclinat la 0°. Ulterior, mașina poate fi așezată lateral, sprijinindu-se pe carcasa motorului și pe placa de bază.

Îndepărtarea lamei de ferăstrău

1. Țineți apăsat pe butonul de blocare a axului (19).
2. Slăbiți șurubul de prindere (15) folosind cheia hexagonală furnizată, rotind în sens antiorar.
3. Scoateți șurubul de prindere (15) și flanșa de prindere (16).
4. Retrageți dispozitivul de protecție inferior (14) folosind mânerul (12) și scoateți lama ferăstrăului.

Montarea lamei de ferăstrău

1. Curățați lama ferăstrăului și toate piesele de prindere care urmează să fie asamblate.
2. Retrageți dispozitivul de protecție inferior (14) folosind mânerul (12) și montați lama ferăstrăului. Asigurați-vă că săgeata de pe lama ferăstrăului corespunde cu săgeata de pe protecția inferior (14).
3. Montați flanșa de prindere (16). Asigurați-vă că laturile plate ale flanșei de prindere corespund cu laturile plate ale axului lamei. De asemenea, asigurați-vă că partea convexă a flanșei de prindere este montată la exterior.
4. Țineți apăsat pe butonul de blocare a axului (19).
5. Montați șurubul de prindere (15) folosind cheia hexagonală furnizată, rotind în sens orar.

Atașarea ghidajului paralel (Fig. D)

1. Slăbiți șurubul de prindere pentru ghidajul paralel (10).
2. Montați ghidajul paralel (22) pe placa de bază (17).
3. Setati lățimea de tăiere dorită folosind indicatorul de pe ghidajul paralel (22) și marcajul de tăiere de pe placa de bază (17). Marcajul de tăiere 45° (8) indică poziția lamei de ferăstrău pentru tăieturile în unghi de 45°. Marcajul de tăiere 0° (9) indică poziția lamei de ferăstrău pentru tăieturile în unghi drept.
4. Strângeți șurubul de prindere (10).

4. ÎNAINTE**Pornirea/oprirea mașinii (Fig. A,B)**

- Pentru a porni aparatul, apăsați și mențineți apăsat butonul de blocare (3) și apăsați butonul de pornire/oprire (2).
- Pentru a opri mașina, eliberați comutatorul de pornire/oprire (2).

Reglarea unghiului înclinat (Fig. A, B)

Marcajul de tăiere 0° (9) indică poziția lamei de ferăstrău pentru tăieturile drepte. Marcajul de tăiere 45° (8) indică poziția lamei de ferăstrău pentru tăieturile la 45°.

1. Slăbiți șurubul de prindere (7).
2. Reglați placa de bază (17) în poziția dorită (0°-45°). Unghiul de tăiere (înclinația) poate fi citit pe indicator (6).
3. Strângeți șurubul de prindere (7).

Reglarea adâncimii de tăiere (Fig. C)

1. Slăbiți mâner pentru reglarea adâncimii (20).
2. Mutați placa de bază (17) în poziția dorită. Adâncimea de tăiere poate fi citită pe indicator (21).
3. Strângeți mâner pentru reglarea adâncimii (20).

Utilizare optimă

- Țineți piesa folosind cleme sau menghină pentru a avea ambele mâini libere pentru a acționa ferăstrăul.
- Porniți ferăstrăul și așezați placa inferioară pe piesa de prelucrat.
- Deplasați încet ferăstrăul spre linia de tăiere trasată anterior și împingeți încet unealta spre înainte.

- Apăsați cu fermitate placa de jos pe piesa de prelucrat, în caz contrar ferăstrăul circular poate începe să vibreze, provocând ruperea lamei mai ușor.
- Lăsați ferăstrăul să execute operația. Nu aplicați presiune nejustificată pe ferăstrăul circular.

5. ÎNTREȚINERE

Înainte de curățare și întreținere, opriți alimentarea electrică a mașinii și deconectați fișa cablului de alimentare de la priza de rețea.

Curățați regulat carcasa cu o cârpă moale, de preferat după fiecare utilizare. Curățați fantele de aerisire de praf și murdărie. Îndepărtați murdăria persistentă cu o cârpă moale înmuiată în clăbuci de săpun. Nu folosiți solvenți precum benzină, alcool, amoniac, etc. Astfel de substanțe chimice vor deteriora componentele sintetice.

MEDIU ÎNCONJURĂTOR

Aparatele electrice sau electronice deteriorate și/sau defecte trebuie colectate în locurile de reciclare corespunzătoare.

Numai pentru tarile din CE

Nu aruncați echipamentele actionate electric împreună cu gunoii menajeri. Conform Indicatiei europene 2012/19/EU pentru echipamente electrice și electronice uzate și a implementării sale la nivel national, echipamentele actionate electric scoase din uz trebuie colectate separat și evacuate într-o manieră ecologică.

GARANȚIE

Produsele VONROC sunt realizate la cele mai înalte standarde de calitate și sunt garantate în privința materialelor și a manoperei pentru întreaga perioadă de utilizare în garanție, începând cu data achiziției. În cazul în care produsul se defectează în timpul perioadei de utilizare, contactați direct VONROC.

Următoarele circumstanțe sunt excluse de la această garanție:

- Reparațiile sau modificările care realizate sau care s-au încercat a fi efectuate de centre de service neautorizate.
- Uzura în condiții normale.
- Unealta care a fost abuzată, utilizată într-un mod neglijent sau întreținută în mod inadecvat.
- Folosirea unor piese de schimb neoriginale.

Aceasta acoperă garanția companiei, explicită sau implicită. Nu există alte garanții explicite sau implicite care să se extindă dincolo de cele indicate aici, incluzând garanțiile, vandabilitatea sau adecvarea pentru un anumit scop. În nicio situație, VONROC nu este responsabil pentru daunele incidentale sau consecvențiale. Reparațiile efectuate de reprezentant trebuie să fie limitate la reparațiile sau la înlocuirea unităților sau a pieselor neconforme.

Produsul și manualul de utilizare pot suferi modificări. Specificațiile se pot modifica fără notificare prealabilă.

1. INSTRUÇÕES DE SEGURANÇA

Leia os avisos de segurança fornecidos, os avisos de segurança adicionais e as instruções. O não cumprimento dos avisos de segurança e das instruções pode resultar em choque eléctrico, incêndio e/ou ferimentos graves. Guarde os avisos de segurança e as instruções para referência futura.

Os seguintes símbolos são utilizados no manual do utilizador ou no produto:



Leia o manual do utilizador.



Indica o risco de ferimentos, morte ou danos na ferramenta se as instruções indicadas neste manual não forem seguidas.



Risco de choque eléctrico.



Retire de imediato a ficha da rede eléctrica se o cabo de alimentação sofrer danos e durante a limpeza e manutenção.



Máquina de classe II - Isolamento duplo - Não é necessário uma ficha com ligação à terra.



As pessoas presentes, em especial, as crianças e



os animais de estimação devem estar a uma distância superior a 10 m.



Use protecção ocular.



Use protecção auricular.



Use uma máscara de poeiras.



Anote as dimensões da lâmina da serra. O diâmetro do furo deve instalar o eixo da ferramenta sem folgas. Se for necessário utilizar redutores, certifique-se de que as dimensões do redutor são adequadas para a espessura da lâmina de base e o diâmetro do furo da lâmina da serra, bem como o diâmetro do eixo

da ferramenta. Se possível, utilize os redutores fornecidos com a lâmina da serra. O diâmetro da lâmina da serra deve corresponder às informações especificadas no símbolo.



Área de perigo! Mantenha as mãos afastadas (10 cm) da área de corte enquanto a máquina estiver em funcionamento. Há o risco de ferimentos se entrar em contacto com a lâmina da serra.



Não elimine o produto em recipientes não adequados.



O equipamento está em conformidade com as normas de segurança aplicáveis nas directivas europeias.

AVISOS GERAIS DE SEGURANÇA SOBRE FERRAMENTAS ELÉCTRICAS



AVISO! Leia todos os avisos de segurança e instruções. O não cumprimento dos avisos e das instruções pode causar choque eléctrico, incêndio e/ou ferimentos graves.

Guarde todos os avisos e instruções para referência futura.

O termo “ferramenta eléctrica” indicado nos avisos diz respeito à ferramenta eléctrica com alimentação pela rede (com fio) ou por bateria (sem fio).

1) Segurança na área de trabalho

- Mantenha a área de trabalho limpa e devidamente iluminada.** As áreas obstruídas ou escuras são propícias a acidentes.
- Não utilize ferramentas eléctricas em atmosferas explosivas, por exemplo, na presença de líquidos inflamáveis, gases ou pó.** As ferramentas eléctricas produzem faíscas que podem causar ignição de pó ou vapores.
- Quando utilizar uma ferramenta eléctrica, mantenha as crianças e transeuntes afastados.** As distrações podem causar perda de controlo.

2) Segurança eléctrica

- As fichas da ferramenta eléctrica devem corresponder à tomada. Nunca modifique, de forma alguma, a ficha. Não utilize quaisquer**

fichas adaptadoras com ferramentas eléctricas ligadas à terra (massa). As fichas e tomadas correspondentes não modificadas reduzem o risco de choque eléctrico.

- Evite o contacto do corpo com superfícies ligadas à terra ou massa, como tubos, radiadores, fogões ou frigoríficos.** Há maior risco de choque eléctrico se o corpo estiver ligado à terra ou à massa.
- Não exponha as ferramentas eléctricas à chuva ou a ambientes húmidos.** A entrada de água numa ferramenta eléctrica aumenta o risco de choque eléctrico.
- Não utilize o cabo de maneira abusiva. Nunca utilize o cabo para transportar, puxar ou desligar a ferramenta eléctrica. Mantenha o cabo afastado de fontes de calor, óleo, extremidades afiadas ou peças móveis.** Se os cabos estiverem danificados ou enrolados, há maior risco de choque eléctrico.
- Quando utilizar uma ferramenta eléctrica no exterior, opte por uma extensão adequada para utilização no exterior.** A utilização de um cabo adequado para utilização no exterior reduz o risco de choque eléctrico.
- Se não for possível evitar trabalhar com uma ferramenta eléctrica num local húmido, utilize uma fonte de alimentação protegida por um dispositivo diferencial residual (DDR).** A utilização de um DDR reduz o risco de choque eléctrico.

3) Segurança eléctrica

- Esteja atento, preste atenção ao que está a fazer e tenha bom senso quando utilizar uma ferramenta eléctrica. Não utilize uma ferramenta eléctrica se estiver cansado ou sob o efeito de drogas, álcool ou medicamentos.** Um momento de distração durante a utilização de ferramentas eléctricas pode resultar em ferimentos graves.
- Use equipamento de protecção individual. Use sempre protecção ocular.** O equipamento de protecção, como, por exemplo, máscara de poeiras, sapatos de segurança antiderrapantes, capacete de segurança ou protecção auditiva, utilizado nas condições adequadas, reduz o risco de ferimentos.
- Evite accionamentos acidentais. Assegure-se de que o interruptor está desligado antes de ligar a ferramenta à corrente eléctrica e/ou**

as baterias e antes de levantar ou transportar a ferramenta. O transporte de ferramentas eléctricas com o dedo colocado no interruptor ou a ligação à corrente das ferramentas eléctricas com o interruptor ligado pode dar origem a acidentes.

- d) **Retire eventuais chaves de ajuste ou chaves de fendas antes de ligar a ferramenta eléctrica.** Uma chave de fendas ou de ajuste montada numa peça rotativa da ferramenta eléctrica pode causar ferimentos.
 - e) **Não tente chegar a pontos fora do alcance. Mantenha-se sempre numa posição firme e bem equilibrada.** Desta forma, é mais fácil controlar a ferramenta eléctrica em situações inesperadas.
 - f) **Use vestuário adequado. Não use roupa larga ou jóias. Mantenha o cabelo, a roupa e as jóias afastados das peças móveis.** As roupas largas, as jóias ou o cabelo comprido podem ficar presos nestas peças.
 - g) **Se for prevista a montagem de dispositivos de extracção e recolha de pó, assegure-se de que estão ligados e que são utilizados de forma correcta.** A utilização de dispositivos de extracção de pó pode reduzir os riscos inerentes.
 - h) **Não permita que a familiaridade obtida através do uso frequente de ferramentas faça com que seja complacente e ignore os princípios de segurança da ferramenta.** Uma acção irreflectida pode causar ferimentos graves numa fracção de segundos.
- 4) Utilização e cuidados a ter com a ferramenta com baterias**
- a) **Não sobrecarregue a ferramenta eléctrica. Utilize a ferramenta eléctrica correcta para o seu trabalho.** A ferramenta eléctrica adequada efectua o trabalho de maneira mais eficiente e segura se for utilizada de acordo com a capacidade para a qual foi concebida.
 - b) **Não utilize a ferramenta eléctrica se não conseguir ligar ou desligar o interruptor.** Qualquer ferramenta eléctrica que não possa ser controlada através do interruptor é perigosa e deve ser reparada.
 - c) **Retire a ficha da fonte de alimentação e/ou a bateria da ferramenta eléctrica, caso seja possível fazê-lo, antes de efectuar quaisquer ajustes, substituir acessórios ou guardar ferramentas eléctricas.** Estas medidas de segurança pre-

ventivas reduzem o risco de ligar a ferramenta eléctrica acidentalmente.

- d) **Mantenha as ferramentas eléctricas que não estiverem a ser utilizadas fora do alcance das crianças. Não permita que a ferramenta eléctrica seja utilizada por pessoas não familiarizadas com a mesma ou que não tenham lido estas instruções.** As ferramentas eléctricas são perigosas nas mãos de pessoas que não possuem as qualificações necessárias para manuseá-las.
 - e) **Faça a manutenção das ferramentas eléctricas. Verifique se as peças móveis da ferramenta eléctrica estão alinhadas e não emperram, bem como se existem peças partidas ou danificadas ou quaisquer outras situações que possam afectar o funcionamento da mesma. Se a ferramenta eléctrica estiver danificada, esta só deve ser utilizada depois de ser reparada.** Muitos acidentes têm como principal causa ferramentas eléctricas com uma manutenção insuficiente.
 - f) **Mantenha as ferramentas de corte afiadas e limpas.** As ferramentas de corte sujeitas a uma manutenção adequada, com arestas de corte afiadas, bloqueiam com menos frequência e controlam-se com maior facilidade.
 - g) **Utilize a ferramenta eléctrica, os acessórios e as peças de ferramenta, etc., de acordo com estas instruções, considerando as condições de trabalho e a tarefa a ser executada.** A utilização da ferramenta eléctrica para fins diferentes dos previstos pode resultar em situações perigosas.
 - h) **Mantenha as pegas e as superfícies de fixação secas, limpas e sem óleo e gordura.** Os punhos e as superfícies de fixação não permitem o manuseamento e o controlo seguros da ferramenta em situações imprevistas.
- 5) Utilização e cuidados a ter com a ferramenta com baterias**
- a) **Recarregue apenas com o carregador especificado pelo fabricante.** Um carregador adequado para um tipo de bateria pode causar um incêndio se for utilizado com outra bateria.
 - b) **Utilize apenas ferramentas eléctricas que tenham baterias especificamente concebidas.** A utilização de outro tipo de baterias pode causar ferimentos e incêndio.
 - c) **Quando não utilizar a bateria, mantenha-a afastada de outros objectos metálicos,**

- tais como cliques para papel, moedas, chaves, pregos, parafusos ou outros pequenos objectos metálicos que permitam fazer a ligação entre terminais. O curto-circuito dos terminais da bateria pode causar queimaduras ou um incêndio.
- d) **Em condições abusivas, pode derramar líquido da bateria, devendo evitar o contacto. Se tocar acidentalmente no líquido, lave bem com água. Se o líquido entrar em contacto com os olhos, consulte um médico.** O líquido derramado da bateria pode causar irritação ou queimaduras.
- e) **Não utilize baterias ou ferramentas danificadas ou modificadas.** As baterias danificadas ou modificadas podem ter um comportamento inesperado, resultando em incêndio, explosão ou risco de ferimentos.
- f) **Não exponha a bateria ou a ferramenta ao fogo ou a temperaturas excessivas.** A exposição a fogo ou a temperaturas superiores a 130 °C pode causar uma explosão. NOTA: a temperatura "130 °C" pode ser substituída pela temperatura "265 °F".
- g) **Siga todas as instruções de carregamento e não carregue a bateria ou a ferramenta fora do intervalo de temperaturas especificado nas instruções.** O carregamento inadequado ou de acordo com temperaturas fora do intervalo especificado pode danificar a bateria e aumentar o risco de incêndio.
- 6) **Assistência**
- a) **A sua ferramenta eléctrica deve ser reparada apenas por pessoal qualificado e só devem ser utilizadas peças sobresselentes idênticas.** Desta forma, é garantida a segurança da ferramenta eléctrica.
- b) **Nunca repare baterias danificadas.** A reparação de baterias deve ser efectuada apenas pelo fabricante ou fornecedores de assistência autorizados.

AVISOS DE SEGURANÇA PARA SERRAS CIRCULARES

Métodos de serragem

- **Atenção: Mantenha as mãos afastadas da área de corte e da lâmina.** Mantenha a outra mão na pega auxiliar ou no compartimento do motor. Se segurar a serra com as duas mãos, não há o risco de corte pela lâmina.
- **Nunca manuseie a parte inferior da peça de trabalho.** A protecção não pode protegê-lo da lâmina abaixo da peça de trabalho.

- **Ajuste a profundidade de corte de acordo com a espessura da peça de trabalho.** Deve ficar visível menos de um dente inteiro da lâmina abaixo da peça de trabalho.
- **Quando fizer um corte, nunca segure a peça de trabalho com as mãos ou sobre a sua perna.** Fixe a peça de trabalho numa plataforma estável. É importante apoiar a peça de trabalho de maneira adequada para minimizar a exposição do corpo, bloqueio da lâmina ou perda de controlo.
- **Segure a ferramenta eléctrica apenas pelas superfícies de fixação isoladas quando efectuar uma operação em que a ferramenta de corte possa entrar em contacto com fios ocultos.** O contacto com um fio sob tensão poderá fazer com que as peças de metal expostas da ferramenta conduzam electricidade e electrocutem o utilizador.
- **Quando fizer cortes longitudinais, utilize sempre um guia de corte ou uma guia de extremidade recta.** Isto aumenta o rigor e reduz a probabilidade de bloqueio da lâmina.
- **Utilize sempre lâminas com tamanho e forma correctos (de diamante em vez de redonda) dos furos do eixo.** As lâminas que não correspondam aos acessórios de montagem da serra funcionam excêntricamente e causam perda de controlo.
- **Nunca utilize pernos ou pinos para lâminas danificados e incorrectos.** Os pernos e os pinos das lâminas foram concebidos especificamente para a sua serra, para um excelente desempenho e segurança de funcionamento.

Causas do efeito de recuo e avisos relacionados

- O efeito de recuo é uma reacção inesperada se uma lâmina comprimida, bloqueada ou alinhada incorrectamente, o que pode fazer com que fique descontrolada e levante-se da peça de trabalho na direcção do utilizador;
- Quando a lâmina é comprimida ou bloqueada com firmeza quando o corte é fechado, a lâmina emperra e a reacção do motor aproxima a unidade rapidamente na direcção do utilizador;
- Se a lâmina ficar torcida ou alinhada incorrectamente no corte, os dentes na extremidade traseira da lâmina podem ficar inseridos na superfície superior da madeira e fazer com que a lâmina saia do local de corte da serra e salte na direcção do utilizador.

- O efeito de recuo é o resultado de uma utilização abusiva da serra e/ou de condições ou procedimentos de utilização incorrectos e pode ser evitado tomando as precauções indicadas abaixo.
- **Segure a serra com firmeza com as duas mãos e posicione os braços numa posição para resistir às forças de recuo.** Posicione o corpo na parte lateral da lâmina e não alinhado com a lâmina. O efeito de recuo pode fazer com que a serra salte para trás, mas as forças de recuo podem ser controladas pelo utilizador se forem tomadas precauções adequadas.
- **Se a lâmina emperrar ou interromper um corte por qualquer motivo, liberte o gatilho e segure na serra sem se mexer até que o disco fique completamente imobilizado.** Nunca retire da serra da peça de trabalho ou puxe-a para trás quando a lâmina estiver em movimento, caso contrário pode ocorrer o efeito de recuo. Investigue e tome acções correctivas para eliminar a causa do bloqueio da lâmina.
- **Quando ligar de novo a serra na peça de trabalho, centre a lâmina da serra na área de corte e verifique se os dentes da serra não estão encaixados no material.** Se a lâmina da serra ficar bloqueada, pode levantar-se ou ocorrer um efeito de recuo da peça de trabalho quando a serra for reiniciada.
- **Coloque painéis grandes como apoio para minimizar o risco da lâmina ficar bloqueada e ocorrer o efeito de recuo.** Os painéis grandes tendem a vergar sobre o seu próprio peso. Os suportes devem ser colocados debaixo do painel em ambos os lados, perto da linha de corte e perto da extremidade do painel.
- **Não utilize lâminas cegas ou danificadas.** Lâminas não afiadas ou apertadas incorrectamente podem fazer com que o corte fique estreito e causar um atrito excessivo, bloqueio da lâmina e efeito de recuo.
- **A profundidade da lâmina e as alavancas de bloqueio de regulação do bisel devem estar apertados e fixos antes de fazer um corte.** Se a regulamentação da lâmina se deslocar durante o corte, a lâmina pode ficar bloqueada e causar efeito de recuo.
- **Tenha especial cuidado quando serrar paredes ou outras áreas em que não seja possível visualizar quaisquer itens ocultos dentro das mesmas.** Se a lâmina estiver saliente, pode

cortar objectos que possam causar o efeito de recuo.

Função de protecção inferior

- **Verifique se a protecção inferior fecha correctamente antes de cada utilização.** Não utilize a serra se a protecção inferior não se deslocar livremente ou fechar de imediato. Nunca fixe ou amarre a protecção inferior na posição aberta. Se deixar cair a serra acidentalmente, a protecção inferior pode ficar dobrada. Levante a protecção inferior com a pega retráctil e verifique se desloca-se livremente e não toca na lâmina ou em qualquer outra parte, em todos os ângulos e em termos de profundidade de corte.
- **Verifique o funcionamento da mola da protecção inferior. Se a protecção e a mola não estiverem a funcionar correctamente, devem ser reparadas antes de utilizá-las.** A protecção inferior pode funcionar com lentidão se houver peças danificadas, resíduos pegajosos ou acumulação de resíduos.
- **A protecção inferior só pode ser recolhida manualmente se fizer cortes especiais como “cortes de perfuração e em ângulo”.** Levante a protecção inferior recolhendo a pega. Assim que a lâmina entrar no material, liberte a protecção inferior. No que respeita a todas as outras operações de serragem, a protecção inferior funciona automaticamente.
- **Verifique sempre se a protecção inferior cobre a lâmina antes de colocar a lâmina virada para baixo na bancada ou no chão.** Uma lâmina não protegida, no modo de roda livre, pode rodar no sentido oposto, e cortar o que estiver no percurso. Depois de libertar o gatilho, deve ter noção do tempo necessário até a lâmina parar.

AVISOS ADICIONAIS DE SEGURANÇA

- **Não toque no ejector de aparas com as mãos.** As peças rotativas podem causar ferimentos.
- **Não utilize a serra acima do nível dos ombros.** Se o fizer, não terá controlo suficiente da ferramenta eléctrica.
- **Utilize detectores adequados para determinar se as linhas de abastecimento de energia estão ocultadas na área de trabalho ou contacte a empresa de serviços públicos para obter assistência.** O contacto com linhas eléctricas pode dar origem a um incêndio e choque eléctrico. Os danos numa conduta de gás podem

dar origem a uma explosão. A perfuração de uma linha de água causa danos materiais.

- **Não utilize a ferramenta eléctrica desligada.** Não foi concebida para ser utilizada como mesa de serra.
- **Não utilize lâminas de aço para corte rápido (HSS).** Esse tipo de lâminas de serra podem partir-se facilmente.
- **Não serre metais ferrosos.** As aparas incandescentes podem inflamar as poeiras.
- **Quando utilizar a máquina, segure-a sempre com firmeza com ambas as mãos e coloque-se numa posição com firmeza.** A ferramenta eléctrica é orientada de maneira mais firme com ambas as mãos.
- **Fixe a peça de trabalho.** É aconselhável apertar uma peça de trabalho com dispositivos de fixação ou num torno do que fazê-lo à mão.
- **Antes de pousar a máquina, aguarde sempre até esta parar por completo.** O suporte de ferramentas pode encravar e resultar em perda de controlo da ferramenta eléctrica.
- **As serras circulares são concebidas para cortar madeira ou produtos semelhantes a madeira. Não podem ser utilizadas com discos de corte abrasivos para cortar materiais ferrosos, como barras, hastes, vigas, etc.** As poeiras abrasivas fazem com que as peças móveis, como a protecção inferior, fiquem encravadas. As faíscas resultantes de cortes abrasivos queimam a protecção inferior, a área de corte e outras peças de plástico.
- **Utilize apenas lâminas de serra que estejam assinaladas com uma velocidade igual ou superior à velocidade assinalada na máquina.**
- **Utilize apenas as lâminas de serra que correspondam às especificações indicadas neste manual de utilizador e que tenham sido testadas e assinaladas de acordo com a norma EN 847-1.**

2. INFORMAÇÕES SOBRE A MÁQUINA

Utilização pretendida

Esta serra circular foi concebida para cortes longitudinais, transversais e em bisel em madeira, devendo manter a placa de base assente com firmeza na peça de trabalho. Não é permitir serrar plástico ou metais.

A ferramenta eléctrica com a lâmina da serra montada com capacidade suficiente para serrar madeira dura e macia, bem como aglomerados de

partículas e fibras. A lâmina da serra não foi concebida para cortar lenha. Não utilize a serra para cortar materiais que não sejam os especificados no manual.

ESPECIFICAÇÕES TÉCNICAS

Modelo n.º	CS502AC
Tensão	230 - 240 V ~
Frequência	50 Hz
Alimentação	1200 W
Sem velocidade de carga	5500/min
Tamanho da lâmina da serra	Ø 185 x Ø 20 x 2,4 mm
Capacidade de serragem a 0°	65 mm
Capacidade de serragem a 45°	43 mm
Classe IP	IP20
Peso	3,47 kg
Nível de pressão sonora LPA	92,8 dB(A), K = 3 dB(A)
Nível de potência sonora LWA	103,8 dB(A), K = 3 dB(A)
Vibração	3.201 m/s ² , K = 1,5 m/s ²

Nível de vibração

O nível de emissão de vibrações indicado neste manual de instruções foi medido em conformidade com um teste padrão especificado pela norma EN62841. Pode ser utilizado para comparar ferramentas e como avaliação preliminar da exposição a vibrações quando utilizar a ferramenta para as aplicações indicadas.

- A utilização da ferramenta para aplicações diferentes, ou com acessórios diferentes ou com uma manutenção deficiente, pode aumentar consideravelmente o nível de exposição.
- O número de vezes que a ferramenta é desligada ou está ligada, mas não está a ser utilizada, pode reduzir significativamente o nível de exposição.

Proteja-se dos efeitos da vibração, através de uma manutenção da ferramenta e dos respectivos acessórios, mantendo as mãos quentes e organizando os seus padrões de trabalho.

DESCRIÇÃO

Os números indicados no texto dizem respeito aos diagramas nas páginas 2 e 3.

1. Punho
2. Botão para ligar/desligar
3. Botão de desbloqueio
4. Cabo de alimentação
5. Pega auxiliar
6. Régua para ângulo de bisel
7. Parafuso de fixação para ângulo em bisel
8. Marca de corte, 45°
9. Marca de corte, 0°
10. Parafuso de fixação para guia paralela
11. Porta de extracção de poeiras
12. Alavanca para recolher a protecção inferior
13. Protecção superior
14. Protecção inferior
15. Parafuso de fixação
16. Flange de montagem
17. Placa de apoio
18. Lâmina da serra
19. Bloqueio do eixo
20. Patilha de regulação de profundidade
21. Patilha de regulação de profundidade
22. Guia paralela
23. Tampa da escova de carbono

3. MONTAGEM



Antes da montagem, desligue sempre a máquina e retire a ficha de alimentação da rede eléctrica.

Substituir a lâmina da serra (Fig. A, B)



Quando montar a lâmina da serra, use luvas de protecção. Há o risco de ferimentos se tocar na lâmina da serra.



Utilize apenas lâminas da serra que correspondam aos dados de características indicados nas instruções de funcionamento.



Não utilize, em nenhuma circunstância, os discos de rectificação como ferramenta de corte.

Para substituir a lâmina da serra, é aconselhável regular a profundidade para 0 mm e regule o ângulo de bisel para 0°. Em seguida, a máquina pode

ser colocada de lado, apoiando o compartimento do motor e a placa de base.

Retirar a lâmina da serra

1. Pressione e mantenha pressionado o bloqueio do eixo (19).
2. Desaperte o parafuso de fixação (15) com a chave hexagonal fornecida, rodando-o no sentido oposto ao dos ponteiros do relógio.
3. Retire o parafuso de fixação (15) e a flange de montagem (16).
4. Recolha a protecção inferior (14) utilizando a alavanca (12) e retire a lâmina da serra.

Montar a lâmina da serra

1. Limpe a lâmina da serra e todas as peças de fixação que vão ser montadas.
2. Recolha a protecção inferior (14) utilizando a alavanca (12) e monte a lâmina da serra. Verifique se a seta na lâmina da serra corresponde à seta indicada na protecção inferior (14).
3. Monte a flange de montagem (16). Verifique se os lados planos da flange de montagem correspondem aos lados planos do eixo da lâmina. Verifique também se o lado convexo da flange de montagem está montado na parte exterior.
4. Pressione e mantenha pressionado o bloqueio do eixo (19).
5. Monte o parafuso de fixação (15) com a chave hexagonal fornecida, rodando-o no sentido oposto ao dos ponteiros do relógio.

Montar a guia paralela (Fig. D)

1. Desaperte o parafuso de fixação da guia paralela (10)
2. Monte a guia paralela (22) na placa de base (17).
3. Regule a largura de corte pretendida com a régua na guia paralela (22) e a marca de corte na placa de base (17). A marca de corte de 45° (8) indica a posição da lâmina da serra para cortes em ângulo de 45°. A marca de corte de 0° (9) indica a posição da lâmina da serra para cortes em ângulo recto.
4. Aperte o parafuso de fixação (10).

4. FUNCIONAMENTO

Ligar/desligar a máquina (Fig. A, B)

- Para ligar a máquina, mantenha o botão de desbloqueio (3) premido e, em seguida, prima o botão para ligar/desligar (2).

- Para parar a máquina, liberte o botão para ligar/desligar (2).

Regular o ângulo em bisel (Fig. A, B)

A marca de corte de 0° (9) indica a posição da lâmina da serra para cortes rectos. A marca de corte de 45° (8) indica a posição da lâmina da serra para cortes de 45°.

1. Desaperte o parafuso de fixação (7)
2. Regule a placa de base (17) para a posição pretendida (0° a 45°). O ângulo de serragem (bisel) pode ser verificado na régua (6).
3. Aperte o parafuso de fixação (7).

Regular a profundidade de corte (Fig. C)

1. Desaperte a alavanca de fixação da profundidade de corte (20).
2. Mova a placa de base (17) para a posição pretendida. A profundidade de serragem pode ser verificada na régua (21).
3. Aperte a alavanca de fixação da profundidade de corte (20).

Utilização adequada

- Segure na peça de trabalho com grampos ou um torno para que as suas mãos fiquem livres para utilizar a serra facilmente.
- Ligue a serra e coloque a placa inferior na peça de trabalho.
- Desloque a serra lentamente para a linha de corte desenhada e carregue na ferramenta lentamente para a frente.
- Carregue com firmeza na placa inferior na peça de trabalho, caso contrário a serra circular pode começar a vibrar, fazendo com que a lâmina se parta mais facilmente.
- Deixe a serra fazer o trabalho. Não exerça demasiada pressão na serra circular.

5. MANUTENÇÃO



Antes de efectuar a limpeza e a manutenção, desligue sempre a máquina e retire a ficha de alimentação da rede eléctrica.

Limpe a caixa da máquina com regularidade com um pano macio, de preferência após cada utilização. Certifique-se de que as aberturas de ventilação não têm pó ou sujidade. Retire a sujidade muito persistente com um pano macio humedecido com água de sabão. Não utilize solventes, como

gasolina, álcool, amoníaco, etc. Este tipo de produtos químicos danificam os componentes sintéticos.

AMBIENTE



Os equipamentos eléctricos ou electrónicos defeituosos e/ou eliminados devem ser recolhidos em locais de reciclagem adequados.

Apenas para os países da CE

Não elimine as ferramentas eléctricas em conjunto com os resíduos domésticos. De acordo com a directiva europeia 2012/19/UE sobre resíduos de equipamentos eléctricos e electrónicos e a respectiva implementação na legislação nacional, as ferramentas eléctricas que já não sejam utilizadas devem ser recolhidas em separado e eliminadas de maneira ecológica.

GARANTIA

Os produtos da VONROC são desenvolvidos de acordo com os padrões de qualidade mais elevados e não têm quaisquer defeitos em termos de materiais e mão-de-obra em relação ao período estipulado por lei, cujo início é a partir da data de compra original. Se o equipamento apresentar qualquer falha durante este período devido a qualquer defeito no material e/ou de mão-de-obra, contacte a VONROC directamente.

As seguintes circunstâncias estão excluídas desta garantia:

- Se forem efectuadas ou tentadas quaisquer reparações e/ou alterações na máquina por centros de assistência não autorizados;
- Desgaste normal;
- Se a ferramenta foi utilizada de maneira abusiva, indevida ou a manutenção for efectuada de maneira incorrecta;
- Se forem utilizadas peças sobresselentes não originais.

Isto constitui a única garantia feita pela empresa, de maneira expressa ou implícita. Não existem quaisquer outras garantias expressas ou implícitas que se prolonguem, incluindo as garantias implícitas de comercialização e adequação para fins específicos. A VONROC não será, em nenhuma circunstância, responsável por danos incidentais ou indirectos. Os fornecedores devem estar limita-

dos a reparar ou substituir as unidades ou peças que não estejam em conformidade.

O equipamento e o manual do utilizador estão sujeitos a alterações sem aviso prévio. As especificações podem ser alteradas sem aviso prévio.

1. BIZTONSÁGI UTASÍTÁSOK

Olvassa el a mellékelt biztonsági figyelmeztetéseket, a kiegészítő biztonsági figyelmeztetéseket és az utasításokat. A figyelmeztetések és utasítások be nem tartása áramütéshez, tűz keletkezéséhez vagy akár súlyos személyi sérüléshez vezethet. Őrizze meg későbbi használatra a biztonsági figyelmeztetéseket és az útmutatót.

A következő jelölésekkel találkozhat a termék használati útmutatójában:



Olvassa el a használati útmutatót.



Jelzi a személyi sérülések, az életveszély vagy a szerszám károsodásának veszélyét.



Áramütés veszélye.



Azonnal húzza ki a hálózati csatlakozódugót, ha a kábel megsérült, valamint ha tisztítást vagy karbantartást végez.



II. érintésvédelmi osztályú gép – kettős szigetelés: földvezeték nélküli csatlakozó aljzatról is használható.



A báméskodókat, de kifejezetten a gyermekeket és háziállatokat 10 méteres távolságon kívül.



Viseljen védőszemüveget.



Viseljen fülvédőt.



Viseljen porvédő álarcot.



Jegyezze fel a fűrészlap méreteit. A furatátmérőnek holtjáték nélkül kell illeszkednie a szerszámorsóhoz. Ha szűkítőt kell használni, ügyeljen arra, hogy a szűkítő méretei megfelelőek legyenek az alaplap vastagságához, a fűrészlap furatátmérőjéhez, illetve szerszám tengelyátmérőjéhez is. Amennyiben lehetséges, használja

a fűrészlaphoz mellékelt szűkítőt. A fűrészlap átmerőjének meg kell felelnie a szimbólumon megadott információknak.



Veszélyes terület! A kezeket tartsa a vágási területtől biztonságos (legalább 10 cm) távolságban, amikor a gép működésben van. A fűrészlap megérintése súlyos személyi sérülést eredményezhet.



A terméket hulladékként ne tegye arra nem alkalmas konténerbe.



A termék megfelel az európai irányelvek rá vonatkozó biztonsági követelményeinek.

AZ ELEKTROMOS GÉPEKRE VONATKOZÓ ÁLTALÁNOS BIZTONSÁGI FIGYELMEZTETÉSEK



FIGYELMEZTETÉS! Olvasson el minden biztonsági figyelmeztetést és utasítást.

A figyelmeztetések és az utasítások be nem tartása áramütést, tüzet és/vagy súlyos sérülést okozhat.

Az összes figyelmeztetést és utasítást őrizze meg, mert később még szüksége lehet rájuk.

A figyelmeztetésekben szereplő „elektromos szerszám” kifejezés az Ön hálózatról működő (vezetékes) elektromos szerszámára vagy akkumulátorral működő (vezeték nélküli) elektromos szerszámára utal.

1) A munkaterület biztonsága

- Gondoskodjon a munkaterület tisztaságáról és megfelelő megvilágításáról.** A rendezetlen és sötét területeken valószínűbb a balesetek előfordulása.
- Ne használja az elektromos szerszámokat robanásveszélyes légtérben, például ahol gyúlékony folyadékok, gázok vagy por van jelen.** Az elektromos szerszámok használata során keletkező szikra lángra lobbanthatja a port és füstöt.
- Az elektromos szerszám használata során a gyermekeket és a közelben tartózkodó személyeket tartsa távol a munkaterülettől.** Ha valami eltereli a figyelmét, elveszítheti az irányítást.

2) Elektromos biztonság

- Az elektromos szerszám dugóinak megfelelőnek kell lenniük az aljzathoz. Soha ne próbálja semmilyen módon módosítani a dugót. Földelt elektromos szerszámhoz ne használjon semmilyen adapterdugót.** Az eredeti (értsd: módosítás nélküli) dugók és megfelelő hálózati aljzatok használatával mérsékelhető az elektromos áramütés veszélye.
- Ügyeljen arra, hogy teste ne érintkezzen földelt felületekkel, például csővezetékekkel, radiátorral, tűzhellyel vagy hűtőszekrényvel.** Ha teste földelődik, megnő az áramütés kockázata.
- Óvja az elektromos szerszámokat az esőtől és nedves környezettől.** Az elektromos szerszámokba kerülő víz növeli az elektromos áramütés veszélyét.
- Ne használja helytelenül (nem előírászerűen) a kábelt. A kábelt soha ne használja az elektromos szerszám hordozására, húzására vagy az aljzathól történő kihúzására. A kábelt tartsa távol hőforrásoktól, olajtól, hegyes élektől és mozgó alkatrészekről.** A sérült vagy megtekeredett kábelek növelik az elektromos áramütés veszélyét.
- Az elektromos szerszám kültéri használata esetén kültéri használatra alkalmas hosszabító kábelt használjon.** A kültéri használatra alkalmas kábel használatával mérsékelhető az elektromos áramütés veszélye.
- Ha az elektromos szerszámot mindenképpen nedves környezetben kell használni, akkor használjon áramvédő kapcsolóval (RCD) ellátott tápforrást.** Az áramvédő kapcsolóval ellátott tápforrás használatával mérsékelhető az elektromos áramütés veszélye.

3) Személyi biztonság

- Az elektromos szerszám használata során maradjon éber, koncentráljon az éppen végzett műveletre és használja a józan ítélőképességét. Ha fáradt, vagy ha kábítószert, alkoholt vagy gyógyszer hatása alatt áll, ne használjon elektromos szerszámot.** Az elektromos szerszám használata közben egyetlen pillanatnyi figyelmetlenség is súlyos személyi sérülést okozhat.
- Használjon egyéni védőfelszerelést. Mindig viseljen szemvédő felszerelést.** A megfelelő körülményekhez való védőeszközökkel (például pormaszkkal, csúszásgátló biztonsági cipővel, munkavédelmi sisakkal vagy hallásvédő

eszközzel) csökkenthető a személyi sérülések kockázata.

- c) **Gondoskodjon a gép véletlen elindulásának a megelőzéséről. A szerszám tápforráshoz és/vagy akkumulátorcsomaghoz történő csatlakoztatása, kézbevétele vagy hordozása előtt győződjön meg róla, hogy a kapcsoló OFF (kikapcsolt) állásban van.** Ha úgy hordozza az elektromos szerszámot, hogy az ujjá a kapcsolón van, vagy úgy helyezi feszültség alá, hogy a kapcsolója ON (bekapcs.) helyzetben van, ez növeli a balesetek kockázatát.
- d) **Az elektromos szerszám bekapcsolása előtt távolítsa el a csavarkulcsokat vagy beállító kulcsokat.** Az elektromos szerszám forgó alkatrészein felejtett csavarkulcs vagy beállító kulcs személyi sérülést okozhat.
- e) **Ne próbáljon túlnyújtóztatva vagy kitekeredett testhelyzetben dolgozni. Mindig két lábbal, egyensúlyát megtartva álljon a talajon.** Így könnyebben tudja irányítani az elektromos szerszámot a váratlan helyzetekben.
- f) **Viseljen megfelelő öltözetet. Ne viseljen laza ruhát vagy ékszert. Haját, ruháját és kesztyűjét tartsa távol a mozgó alkatrészekről.** A mozgó alkatrészek behúzhatják a ruhákat, az ékszereket és a hosszú haját.
- g) **Ha a szerszámhoz poredszívó és porgyűjtő eszközt is lehet csatlakoztatni, akkor gondoskodjon ezek csatlakoztatásáról és megfelelő használatáról.** A porgyűjtő rendszerek használatával csökkenthetők a porral kapcsolatos veszélyek.
- h) **Ne engedje, hogy a szerszámok gyakori használata során szerzett tapasztalatai túlzott biztonságérzetet keltsenek Önben, és amiatt elhanyagolja a biztonsági alapelveket.** Gondatlan cselekvés már a másodperc töredéke alatt is súlyos sérülést okozhat.
- 4) **Az elektromos szerszám használata és ápolása**
- a) **Az elektromos szerszámot tilos túlzott erőfeszítéssel használni. Az alkalmazási célnak megfelelő elektromos szerszámot használjon.** A megfelelő elektromos szerszám jobban és biztonságosabban végzi a munkát azon a fordulatszámra, amire azt tervezték.
- b) **Ne használja az elektromos szerszámot, ha az nem kapcsolható be/ki a főkapcsolóval.** Bár mely elektromos szerszám veszélyes lehet, amit a kapcsolóval nem lehet irányítani, ezért az ilyen elektromos szerszámot meg kell javíttatni.
- c) **Válassza le a dugót a tápforrásról és/vagy az akkumulátorcsomagot az elektromos szerszámról, mielőtt bármilyen módosítást végez, tartozékot cserél vagy eltávolítja az elektromos szerszámot.** Ezek a megelőző biztonsági intézkedések csökkentik az elektromos szerszám véletlen beindulásának a veszélyét.
- d) **A használaton kívüli elektromos szerszámot olyan helyen tárolja, ahol gyermekek nem férhetnek hozzá; ne engedje, hogy olyan személyek használják, akik az elektromos szerszámot és ezeket az utasításokat nem ismerik.** Az elektromos szerszám rendkívül veszélyes lehet szakképzetlen felhasználók kezeiben.
- e) **Tartsa karban az elektromos szerszámokat. Ellenőrizze, hogy a mozgó alkatrészek nem állítottak-e el vagy nem szorulnak-e, nincsenek-e a szerszámon törött alkatrészek, és nem állnak-e fenn olyan körülmények, amelyek befolyásolhatják a szerszám működését. Ha az elektromos szerszám sérült, használat előtt javíttassa meg.** A hanyagul karbantartott elektromos szerszámok sok balesetet okoznak.
- f) **Tartsa élesen és tisztán a vágószerszámokat.** A megfelelően karbantartott, éles vágószerszámok beszorulásának kisebb a valószínűsége, ráadásul könnyebben irányíthatók.
- g) **Az elektromos szerszámot, tartozékokat és szerszámszárakat stb. a használati útmutatónak megfelelően használja, a munkakörülmények és az elvégzendő feladat figyelembevételével.** Ha a szerszámgépet a rendeltetési céljától eltérően használják, ez veszélyhelyzetet teremthet.
- h) **Tartsa a fogantyúkat és egyéb markolási felületeket szárazon, tisztán, olajtól és zsírtól mentesen.** Váratlan helyzetekben a csúszós fogantyúk és egyéb markolási felületek akadályozzák a szerszám biztonságos kezelését és irányítását.
- 5) **Az akkumulátoros szerszám használata és ápolása**
- a) **Újratöltéshez csak a gyártó által megjelölt töltőt használja.** Az egyik akkumulátorhoz megfelelő töltő másikkal töltővel használva tűzveszélyes lehet.
- b) **Csak a kifejezetten hozzájuk készült akkumulátorral használja az elektromos szerszámokat.** Bár melyen másfajta akkumulátor használata tűz- és balesetveszélyt idézhet elő.

- c) **Amikor nem használja az akkucsomagot, tartsa azt távol minden fémes tárgytól, például tűzőkocpocstól, érmétől, kulctól, szögtől, csavartól és minden más apró fémtárgytól, amely a sarukat rövidre zárhatná.** Az akkumulátor kapcsok rövidre zárása égési sérülést vagy tüzet okozhat.
- d) **Nem előírászerű körülmények között folyadék szivároghat az akkumulátorból; ne érjen hozzá. Ha véletlenül mégis a bőrre kerül, vízzel öblítse le. Ha a folyadék szembe kerül, forduljon orvoshoz is.** Az akkumulátorból származó folyadék bőrizgató hatású, égési sérülést is okozhat.
- e) **Sérült vagy átalakított akkucsomagot és szerszámot ne használjon.** A sérült vagy átalakított akkumulátorok kiszámíthatatlanul viselkedhetnek, tüzet, robbanást vagy sérülést okozhatnak.
- f) **Tűztől és szélsőséges hőmérséklettől óvja az akkucsomagot és a szerszámot.** Ha tűznek vagy 130 °C-on felüli hőmérsékletnek teszi ki, robbanást okozhat. MEGJEGYZÉS: a „130 °C” „265 °F”-nak (Fahrenheit foknak) felel meg.
- g) **Tartsa be a töltésre vonatkozó összes utasítást, és ne töltsen az akkucsomagot vagy a szerszámot a kezelési útmutatóban megadott tartományon kívül eső hőmérséklet mellett.** Nem megfelelő vagy a megadott tartományon kívüli hőmérséklet mellett történő töltés károsíthatja az akkumulátort, és tűzveszéllyel jár.
- 6) Szerviz**
- a) **Az elektromos szerszámot képzett javító szakemberrel javíttassa, csakis az eredetivel azonos pótalkatrészeket használjon fel.** Ez biztosítja, hogy a villamos kéziszerszám továbbra is biztonságos marad.
- b) **Sérült akkucsomagot soha ne szervizeljen.** Akkucsomagok szervizelését csak a gyártó vagy annak megbízott szolgáltatója végezheti.

A KÖRFŰRÉSZRE VONATKOZÓ BIZTONSÁGI FIGYELMEZTETÉSEK

Fűréselési módok

- **Figyelmeztetés: A vágóterületől és a fűrészlaptól tartsa távol a kezeit.** Tartsa a másik kezét a segédfogantyún vagy a motor burkolatán. Ha mindkét kézzel tartja a fűrész, akkor nem tudja magát megvágni a fűrészlappal.
- **Ne nyúljon a munkadarab alá.** A védőburkolat nem tudja megvédeni Önt a fűrészlap munkadarab alatti részétől.

- **A vágási mélységet igazítsa a munkadarab vastagságához.** A munkadarab alatt a fűrészlap foga nem látszhat ki teljesen.
- **Vágás során soha ne tartsa a munkadarabot a kezében vagy a lábára fektetve.** Stabil platformhoz rögzítse a munkadarabot. Nagyon fontos a munkadarab megfelelő alátámasztása, hogy a test kitétségét, a lap elhajlását és a szerszám feletti uralom elvesztésének lehetőségét a minimálisra csökkentse.
- **Az elektromos szerszámot kizárólag a szigetelt markolási felületein fogja, amikor olyan munkát végez vele, ahol a vágószerszám rejtett vezetőket érhet.** Ha a szerszámmal feszültség alatt lévő vezetékhez ér, a szerszám fém részei feszültség alá kerülve áramütést okozhatnak.
- **Hasításkor mindig használjon vágókorlátot vagy egyenes élű vezetőt.** Ezzel növelheti a vágás pontosságát és csökkentheti a fűrészlap meghajlásának esélyét.
- **Mindig megfelelő méretű, alakú és rögzítőnyílású (rombusz vagy kerek) lapot használjon.** Ha olyan lapot szerel a fűrészre, amely nem illeszkedik tökéletesen, az excentrikusan fog jární, és a kezelő elveszítheti a szerszám feletti uralmát.
- **Soha ne használjon sérült vagy nem megfelelő fűrészlap-alátétet vagy csavart.** A fűrészlap alátétjeit és csavarjait kifejezetten a fűrészhez terveztük, hogy biztosítsuk a szerszám optimális és biztonságos üzemelését.

A visszarúgás okai és a hozzá kapcsolódó figyelmeztetések

- A visszarúgást becsipődött, beakadt vagy rosszul beállított fűrészlap okozhatja, amelynek során kontrollálatlan fűrész felfelé kiemelkedik a munkadaraból a kezelő irányába;
- Ha a lap erősen beszorult, mert a bemetszés összeharódtott, akkor a lap elakad és a motor úgy reagál, hogy gyorsan visszahajtja az egységet a kezelő felé;
- Ha a lap a vágásban megcsavarodik vagy elhajlik, a vágólap hátsó szélén található fog belekap a fa felületébe, így a fűrészlap kiemelkedik a bemetszésből és a kezelő felé ugrik.
- A visszarúgás minden esetben a fűrész rossz használatának, a nem megfelelő munkamódszernek vagy körülménynek a következménye, az alább felsorolt megfelelő óvintézkedésekkel elkerülhető.

- **Mindkét kezével stabilan tartsa a fűrészrt és úgy pozícionálja a karjait, hogy ellent tudjon állni a visszarúgás erejének.** Ne állon egy vonalba a fűrészlappal, álljon az egyik vagy másik oldalára. A visszarúgás során a fűrész visszaugrik, de a visszarúgás erejét uralni tudja a kezelő, ha megteszi a kellő óvintézkedéseket.
- **Ha a lap megszorul vagy valamilyen okból meg kell szakítani a vágást, akkor oldja ki az indítógombot és tartsa a fűrészrt mozdulatlanul, amíg a lap forgása teljesen le nem áll.** Soha ne kísérelje meg eltávolítani a fűrészrt a munkadarabból és soha ne húzza visszafelé a fűrészrt, amíg a fűrészlap forog, mert a szerszám visszarághat. Derítse ki, mi okozza a lap megszorulását és szüntesse meg az okát.
- **Amikor a fűrészrt újraindítja a munkadarabban, helyezze a bemetszés közepére a fűrészlapot és ellenőrizze, hogy a fűrészfogak nincsenek-e beakadva az anyagba.** Ha a fűrészlap szorul, akkor felgyalogolhat vagy visszarúghat a munkadarabról, amikor újraindítja a fűrészrt.
- **Támassza alá a nagyobb paneleket, hogy minimalizálhassa a lap beakadását és így a visszarúgás esélyét.** A nagyobb méretű panelek hajlamosak megereszkedni saját súlyuk alatt. A támasztékokat a panel mindkét oldalán el kell helyezni, közel a vágási vonalhoz és közel a panel széleikhez.
- **Ne használjon tompa vagy sérült fűrészlapot.** Az életlen vagy helytelenül felszerelt lapok használata sekély bemetszést, túl nagy súrlódást, a tárcsa elakadását és visszarúgást okozhat.
- **A vágási mélységet, valamint a ferdeszöget beállító reteszelt karoknak szorosnak és stabilnak kell lenniük a vágás végrehajtása előtt.** Ha a vágás közben esetlegesen módosul a lap beállítása, akkor beszorulhat a fűrészlap és visszarúgást okozhat.
- **Legyen különösen óvatos, ha meglévő falba vagy ismeretlen felületbe vág bele.** A bevágást végrehajtó lap objektumokba vághat bele, ami visszarúgást eredményezhet.

Az alsó védőburkolat funkciója

- **Minden egyes használat előtt ellenőrizze, hogy az alsó védőburkolatot kellő módon becsukta-e.** Ne működtesse a fűrészrt, amennyiben az alsó védőburkolat nem mozog szabadon és nem záródik azonnal. Soha ne rögzítse az alsó védőburkolatot a nyitott állásában. Ha a fűrészrt véletlenszerűen leejtik, akkor az alsó védőburkolat meghajolhat. A visszahúzó karral emelje fel az alsó védőburkolatot és győződjön meg róla, hogy szabadon mozog, nem érinti a lapot vagy a szerszám egyéb részét, bármilyen szögű vagy mélységű vágásról legyen is szó.
- **Ellenőrizze az alsó védőburkolat rugójának működését. Ha a burkolat vagy a rugó nem működik a megfelelő módon, akkor a használat előtt vigye el szervizbe a fűrészrt.** Az alsó védőburkolat akkor működhet lassan, ha megsérült valamilyen alkatrész, ragacsos lerakódás akadályozza a szerszámot vagy felgyülemlt benne a törmelék.
- **Az alsó védőburkolatot manuálisan is vissza lehet húzni különleges vágások esetében, például merülő vagy szögben történő vágásoknál.** A kar visszahúzásával emelje fel az alsó védőburkolatot, és mihelyt a lap hozzáér az anyaghoz engedje ki az alsó védőburkolatot. Az összes többi fűrészelési művelethez automatikus módban működtesse az alsó védőburkolatot.
- **Mindig ügyeljen arra, hogy az alsó védőburkolat fedje a fűrészlapot, mielőtt a fűrészrt padra vagy padlóra helyezi.** A védelem nélküli gördülő fűrészlap miatt a fűrész visszafelé gyalogolhat, elvágva mindent, ami az útjába kerül. Vegye figyelembe azt az időt, amire a lapnak szüksége van, hogy leálljon a kapcsoló felengedését követően.

TOVÁBBI BIZTONSÁGI FIGYELMEZTETÉSEK

- **Ne nyúljon a kezével a forgácskidobóba.** A keze megsérülhet a forgó alkatrészek miatt.
- **A feje fölötti magasságban ne dolgozzon a fűrészrel.** Ebben az esetben nem tudná kellőképpen uralni az elektromos szerszámot.
- **Alkalmassal detektorral ellenőrizze, vannak-e rejtett közmű vezetékek a területen, amelyen dolgozni fog, vagy kérjen segítséget a helyi közművektől.** Elektromos vezetékek érintése tüzet vagy áramütést okozhat. Gázvezeték sérülése robbanáshoz vezethet. Vízvezeték sérülése anyagi kárt okoz.
- **Az elektromos szerszámot tilos álló helyzetben működtetni.** A berendezést nem fűrészasztalon történő munkákhoz terveztük.
- **Ne használjon nagy sebességű acél (HSS) fűrészlapot.** Azok könnyen törnek.

- **Ne vágjon vele vastartalmú fémekeket.** A vörösen izzó forgácsok begyűjthatják a porelszívó részt.
- **A géppel történő munkavégzés során minden esetben stabilan, két kézzel fogja a gépet, és álljon stabil terpeszállásban.** Az elektromos szerszám biztonságosabban vezethető, ha két kézzel fogja.
- **Rögzítse a munkadarabot.** Sokkal biztonságosabb a munkadarabot szorítóeszközzel vagy satuban rögzíteni, mint kézzel.
- **Mindig várja meg a gép teljes leállítását, mielőtt letenné.** A szerszámszár megszorulhat, és az elektromos szerszám feletti uralom elvesztését okozhatja.
- **A körfűrészek fa vagy fához hasonló anyagok vágására készültek, nem használhatók csiszolóvágó fűrészlappal, vassékek (pl. pálcák, rudak, gerendák stb.) fűrészeléséhez.** A csiszolásnál keletkező portól beragadnak a mozgó alkatrészek, mint például az alsó védőburkolat. A csiszológátnál keletkező szikráktól pedig még az alsó védőburkolat, a réslap és egyéb műanyag alkatrészek.
- **Csak olyan fűrészlapot használjon, amelyen a gépen megadott sebességgel azonos vagy annál magasabb fordulatszám van megadva.**
- **Csak a kézikönyvünkben megadott műszaki követelményeknek megfelelő és az EN 847-1 szabvány szerint tesztelt és jelöléssel ellátott fűrészlárcsákat használjon.**

2. AZ ESZKÖZ ADATAI

Rendeltetészerű használat

A körfűrész faanyagok hosszirányú, keresztirányú és szögben történő vágására alkalmas úgy, hogy az alaplemez stabilan a munkadarabon fekszik. Műanyagok vagy fémekek vágása nem megengedett. A beépített fűrészpengével ellátott elektromos szerszám kapacitása megfelelő kemény- és puhafa, valamint forgácslap és farostlemez fűrészeléséhez. A fűrészpenge nem alkalmas tűzifa vágására. Ne használja a fűrész az útmutatóban leírtaktól eltérő anyagok fűrészelésére.

MŰSZAKI ADATOK

Modellazonosító	CS502AC
Feszültség	230-240 V~
Frekvencia	50 Hz
Felvett teljesítmény	1200 W
Üresjárat fordulat/szám	5500/perc
Fűrészlap mérete	Ø185 x Ø20 x 2,4 mm
Fűrészkapacitás 0°	65 mm
Fűrészkapacitás 45°	43 mm
IP-osztály	IP-20
Súly	3,47 kg
Hangnyomóátszint LPA	92,8 dB(A) K= 3 dB(A)
Hangteljesítményszint LWA	103,8 dB(A), K=3 dB(A)
Rezgés	3,201 m/s ² K=1,5 m/s ²

Rezgésszint

A használati útmutatóban megadott rezgés-kibocsátási értékek mérése az EN62841 sz. szabvány szerinti egységesített eljárással történt; az értékek használhatók gépek összehasonlítására és a munkavégzés közbeni rezgés terhelés előzetes megbecslésére az adott alkalmazási területen.

- Ha az elektromos kéziszerszámot más területen használják vagy más vagy rossz karban tartott tartozékkal, a rezgés terhelés jelentősen növekedhet.
- Azok az időtartamok, amely alatt a gép üresen jár vagy áll, jelentősen csökkenthetik a tényleges terhelést.

Védje magát a rezgés hatásától, tartsa karban a gépet és a tartozékokat, melegítsen be és szerelje meg okosan a munkáját.

LEÍRÁS

A szövegbeli számok a 2–3. oldal képeire utalnak.

1. Markolat
2. Főkapcsoló
3. Reteszgomb
4. Tápkábel
5. Segédfogantyú
6. Ferdeszög skála
7. Ferdeszög szorítócsavarja
8. Vágásjelző, 45°

9. Vágásjelző, 0°
10. Párhuzamvezető szorítócsavarja
11. Porelszívó csatlakozó
12. Alsó védőburkolat visszahúzó karja
13. Felső védőburkolat
14. Alsó védőburkolat
15. Szorítócsavar
16. Szorítóperem
17. Talplemez
18. Fűrészlap
19. Tengelyrögzítő
20. Mélységállítókar
21. Mélységállító beosztás
22. Párhuzamvezető
23. Szénkefe csavar

3. ÖSSZESZERELÉS



A gépet az összeszerelés előtt mindig kapcsolja ki és húzza ki az elektromos vezetékét az aljzatról.

Fűrészlap cseréje (A, B ábra)



A fűrészlap felszereléséhez viseljen védőkesztyűt. A fűrészlap megérintése sérülést eredményezhet.



Csak olyan fűrészlapot használjon, amely megfelel a kezelési útmutatóban megadott jellemző adatoknak.



Semmilyen körülmények között ne használjon csiszolókorongot vágóeszközként.

A fűrészlap cseréjéhez a legmegfelelőbb módszer, ha a vágási mélységet 0 mm-re állítja, a szögben történő vágás szögét pedig 0°-ra. Ezt követően a gépet az oldalára helyezheti, ami így a motor burkolatán és az alplemezen fog pihenni.

A fűrészlap leszerelése

1. Nyomja be és tartsa benyomva a tengelyrögzítő (19) gombját.
2. Az óramutató járásával ellentétes irányban elforgatva lazítsa meg a szorítócsavart (15) a mellékelt imbuszkulccsal.
3. Távolítsa el a szorítócsavart (15) és a szorítókarimát (16).
4. Húzza vissza az alsó burkolatot (14) a kar (12) használatával, majd távolítsa el a fűrészlapot.

A fűrészlap felszerelése

1. Tisztítsa meg a fűrészlapot és az összes összeszerelendő rögzítő alkatrészt.
2. Húzza vissza az alsó burkolatot (14) a kar (12) használatával, majd szerelje be a fűrészlapot. Győződjön meg arról, hogy a fűrészlapon található nyíl megegyezik az alsó védőburkolaton (14) található nyíllal.
3. Szerelje fel a szorítópermet (16). Győződjön meg arról, hogy a szorítóperem lapos oldalai megegyeznek a penge tengelyének lapos oldalával. Győződjön meg arról is, hogy a szorítóperem domború oldala kívülre van szerelve.
4. Nyomja be és tartsa benyomva a tengelyrögzítő (19) gombját.
5. Az óramutató járásával megegyező irányban elforgatva szerelje vissza a szorítócsavart (15) a mellékelt imbuszkulccsal.

A párhuzamvezető csatlakoztatása (D ábra)

1. Lazítsa meg a párhuzamvezető szorítócsavarját (10)
2. Szerelje fel a párhuzamvezetőt (22) a talplemezre (17).
3. Állítsa be a kívánt vágási szélességet a párhuzamvezetőn (22) lévő skála és a talplemezen (17) lévő vágásjelző segítségével. A 45°-os vágásjelző (8) a fűrészlap helyzetét jelzi a 45°-os vágásokhoz. A 0°-os vágásjelző (9) a fűrészlap helyzetét jelzi a derékszögű vágásokhoz.
4. Húzza meg a szorítócsavart (10).

4. HASZNÁLAT

A gép be- és kikapcsolása (A, B ábra.)

- A gép beindításához nyomja és tartsa lenyomva a reteszgombot (3), majd nyomja le a főkapcsolót (2).
- A gép kikapcsolásához engedje fel a főkapcsolót (2).

A ferdevágási szög beállítása (A, B ábra)

A 0°-os vágásjelző (9) a fűrészlap helyzetét jelzi az egyenes vágásokhoz. A 45°-os vágásjelző (8) a fűrészlap helyzetét jelzi a 45°-os vágásokhoz.

1. Lazítsa meg a szorítócsavart (7)
2. Állítsa a talplemezt (17) a kívánt pozícióba (0°–45°). A vágás szöge (ferdevágás) a skáláról (6) leolvasható.
3. Húzza meg a szorítócsavart (7).

A vágási mélység beállítása (C ábra)

1. Lazítsa meg a vágási mélység állítókarját (20).
2. Mozgassa az alaplemezt (17) a kívánt állásba. A fűrészelési mélység a beosztásról olvasható le (21).
3. Húzza meg a vágási mélység állítókarját (20).

Optimális használat

- Szorítóeszközzel vagy satuval rögzítse a munkadarabot, hogy mindkét kezével tudja működtetni a fűrész.
- Kapcsolja be a fűrész, majd helyezze az alsó lemezt a munkadarabra.
- Lassan mozgassa a fűrész a felületre az előzetesen megrajzolt vágási vonal irányába, lassan nyomja előre a szerszámot.
- Szorosan nyomja rá az alsó lemezt a munkadarabra, ellenkező esetben a körfűrész vibrálni kezd, és így a fűrészlap könnyebben eltörhet.
- Hagyja, hogy a fűrész dolgozzon. Ne terhelje feleslegesen nyomással a körfűrész.

5. KARBANTARTÁS

Tisztítás és karbantartás előtt mindig kapcsolja ki a gépet, és húzza ki a hálózati csatlakozódugót.

A gép burkolatát rendszeresen, lehetőleg minden használat után törölje át puha ronggyal. Ügyeljen arra, hogy a szellőzőnyílások portól és piszoktól mentesek legyenek. Makacs szennyeződésekhez használjon szappanos vízzel átitatott ruhát. Oldószert, benzint, alkoholt, ammóniát stb. ne használjon. Ezek a vegyszerek kárt tesznek a szintetikus részekben.

KÖRNYEZET

A hibás vagy már feleslegessé vált elektromos, elektronikus készülékeket az ezzel foglalkozó gyűjtőpontokon kell leadni.

Csak EU országokban

Elektromos eszközt ne dobjon a háztartási hulladékba. Az elektromos és elektronikai hulladékokra vonatkozó, 2012/19/EK európai irányelv és annak a nemzeti törvénykezésbe történő átültetése értelmében az elhasznált elektromos készülékeket külön kell gyűjteni és környezetbarát módon kell ártalmatlanítani.

GARANCIA

A VONROC termékei a legmagasabb minőségi normák szerint készülnek, és az eredeti vásárlás napjától számított, törvényileg előírt időtartamig garantáljuk, hogy anyag- és gyártási hibáktól mentesen fognak működni. Ha a termékben ezen időszak alatt bármilyen hiba jelentkezik anyag- és/ vagy gyártási hiba miatt, kérjük, forduljon közvetlenül az Ön VONROC kapcsolattartójához.

A szavatosság nem vonatkozik a következő körülmények semelyikére sem:

- Nem hivatalos szervizközpontok javítást vagy módosítást végeztek (vagy megkíséreltek javítást vagy módosítást végezni) a gépen;
- Normál elhasználódás és kopás;
- Az eszközt erőszakosan vagy nem rendeltetésszerűen használták, vagy a karbantartása nem volt megfelelő;
- Nem eredeti pótalkatrészeket használtak.

A garancia a vállalat által (akár kifejezetten, akár hallgatólagosan) biztosított kizárólagos garancia. Nem léteznek olyan egyéb garanciák (sem kifejezett, sem hallgatólagos garanciák, beleértve az értékesíthetőségre és az adott célra való alkalmasságra vonatkozó hallgatólagos garanciákat is), amelyek a jelen garancia hatókörén túlmutatnak. A VONROC semmilyen esetben sem felelős semmilyen járulékos vagy következményes kárért. A forgalmazók javításai kizárólag az előírásoknak nem megfelelő egységek vagy alkatrészek javítására és cseréjére vonatkoznak.

A termék és a használati útmutató változtatásának jogát fenntartjuk. A műszaki adatok előzetes bejelentés nélkül változhatnak.

1. BEZPEČNOSTNÍ POKYNY

Přečtěte si přiložené bezpečnostní výstrahy, dodatečné bezpečnostní výstrahy a bezpečnostní pokyny. Nebudete-li dodržovat tyto bezpečnostní výstrahy a pokyny, může dojít k úrazu elektrickým proudem, k vzniku požáru nebo k vážnému zranění. Uchovejte tyto bezpečnostní výstrahy a pokyny pro budoucí použití.

V tomto návodu k obsluze a na tomto výrobku jsou použity následující symboly:



Přečtěte si návod k obsluze.



Upozorňuje na riziko zranění osob, ztráty života nebo poškození zařízení, nebudou-li dodržovány pokyny uvedené v tomto návodu.



Nebezpečí úrazu elektrickým proudem.



Ihned odpojte zástrčku napájecího kabelu od síťové zásuvky, dojde-li k jeho poškození a také před prováděním čištění nebo údržby.



Výrobek třídy II – Dvojitá izolace – Není nutné použití uzemňovacího vodiče.



Okolostojící osoby, zejména děti a zvířata musejí dodržovat bezpečnou vzdálenost min. 10 m.



Používejte ochranu zraku.



Používejte ochranu sluchu.



Používejte ochrannou masku proti prachu.



Věnujte pozornost rozměrům pilového kotouče. Otvor na pilovém kotouči musí sedět na hřídeli nářadí bez jakékoli vůle. Musíte-li použít redukce, zajistěte, aby byly rozměry redukce vhodné pro tloušťku kotouče a průměr otvoru v kotouči, ale také pro průměr

hřídele nářadí. Pokud je to možné, použijte redukce dodávané s pilovým kotoučem. Průměr pilového kotouče se musí shodovat s informacemi uvedenými na symbolu.



Nebezpečný prostor! Udržujte ruce v bezpečné vzdálenosti (10 cm) od místa řezu, když je nářadí v provozu. Nebezpečí zranění při kontaktu s pilovým kotoučem.



Nevyhazujte tento výrobek do nevhodného kontejneru.



Tento výrobek je vyroben v souladu s platnými bezpečnostními normami, které jsou uvedeny ve směrnících EU.

ZÁKLADNÍ BEZPEČNOSTNÍ VÝSTRAHY PRO ELEKTRICKÉ NÁŘADÍ



VAROVÁNÍ! Přečtěte si všechny bezpečnostní výstrahy a všechny pokyny. Nebudete-li dodržovat tyto bezpečnostní výstrahy a pokyny, může dojít k úrazu elektrickým proudem, ke vzniku požáru nebo k vážnému zranění.

Uchovejte všechny bezpečnostní výstrahy a pokyny pro budoucí použití.

Pojem „elektrické nářadí“ v těchto varováních odkazuje na elektrické nářadí napájené z elektrické sítě (s napájecím kabelem) nebo z akumulátoru (bez napájecího kabelu).

1) Bezpečnost pracovního prostoru

- a) **Udržujte pracoviště uklizené a dobře osvětlené.** Neuklizená nebo tmavá místa přivolávají nehody.
- b) **Nepoužívejte elektrická nářadí ve výbušných prostředích, jako jsou místa s přítomností hořlavých kapalin, plynů nebo prachu.** V elektrickém nářadí dochází k jiskření, které může způsobit vznícení prachu nebo výparů.
- c) **Při práci s tímto elektrickým nářadím udržujte děti a okolo stojící osoby v bezpečné vzdálenosti.** Rozptylování může způsobit ztrátu kontroly nad nářadím.

2) Elektrická bezpečnost

- a) **Zástrčka napájecího kabelu nářadí musí odpovídat zásuvce. Zástrčku nikdy žádným způsobem**

- bem neupravujte. Nepoužívejte u uzemněného elektrického nářadí žádné adaptéry zástrček.** Neupravené zástrčky a odpovídající zásuvky snižují riziko úrazu elektrickým proudem.
- b) **Vyvarujte se kontaktu s uzemněnými povrchy, jako jsou potrubí, radiátory, trouby a ledničky.** Dojde-li k uzemnění vašeho těla, hrozí zvýšené riziko způsobení úrazu elektrickým proudem.
- c) **Nevystavujte elektrické nářadí dešti ani vlhkému prostředí.** Dostane-li se do elektrického nářadí voda, zvýší se riziko úrazu elektrickým proudem.
- d) **Nezacházejte špatně s napájecím kabelem. Nikdy nepoužívejte napájecí kabel pro přenášení nebo tahání tohoto elektrického nářadí a nechtejte za tento kabel při vypořádání zástrčky ze zásuvky. Dbejte na to, aby tento kabel nepřecházel přes horké a mastné povrchy ani přes ostré hrany a aby se nedostal do kontaktu s pohyblivými částmi.** Poškozené nebo zamočené kabely zvyšují riziko úrazu elektrickým proudem.
- e) **Používáte-li elektrické nářadí venku, používejte prodlužovací kabel vhodný pro venkovní použití.** Použití prodlužovacího kabelu pro venkovní použití snižuje riziko úrazu elektrickým proudem.
- f) **Musíte-li používat toto elektrické nářadí ve vlhkém prostředí, používejte v elektrickém obvodu proudový chránič (RCD).** Použití proudového chrániče (RCD) snižuje riziko úrazu elektrickým proudem.
- 3) Bezpečnost osob**
- a) **Při práci s tímto elektrickým nářadím buďte stále pozorní; sledujte, co provádíte a používejte zdravý rozum. Nepoužívejte elektrické nářadí, jste-li unaveni nebo jste-li pod vlivem drog, alkoholu nebo léků.** Chvilková nepozornost při práci s elektrickým nářadím může vést k velmi nebezpečným zraněním.
- b) **Používejte osobní ochranné prostředky. Vždy používejte ochranu zraku.** Ochranné prostředky, jako jsou maska proti prachu, neklouzavá pracovní ochranná obuv, pevná přilba nebo chrániče sluchu, které jsou používány v příslušných podmínkách, zmenšují riziko způsobení zranění osob.
- c) **Zabraňte náhodnému spuštění nářadí. Před připojením elektrického nářadí k napájecímu zdroji nebo před vložením akumulátoru do nářadí a také před zvednutím nářadí nebo před jeho přenášením se ujistěte, zda je vypínač na nářadí v poloze vypnuto.** Přenášení elektrického nářadí s prstem na spínači nebo připojení elektrického nářadí ke zdroji elektrické energie, je-li spínač v poloze zapnuto, zvyšuje pravděpodobnost vzniku nehod.
- d) **Před zapnutím elektrického nářadí vždy odstraňte všechny klíče a seřizovací přípravky.** Klíče nebo seřizovací přípravky ponechané na rotující části elektrického nářadí mohou způsobit zranění osob.
- e) **Nepřeceňujte své síly. Vždy udržujte správný postoj a rovnováhu.** Tak si zachováte lepší kontrolu nad nářadím v neočekávaných situacích.
- f) **Vhodně se oblékejte. Nenoste volný oděv nebo šperky. Udržujte vlasy, oblečení a rukavice v bezpečné vzdálenosti od všech pohyblivých částí.** Volný oděv, šperky nebo dlouhé vlasy mohou být zachyceny pohyblivými částmi.
- g) **Jsou-li zařízení vybavena adaptérem pro připojení odsávacího systému, ujistěte se, zda je odsávací zařízení správně připojeno a zda správně plní svoji funkci.** Použití odsávání prachu může snížit rizika spojená s prací v prašném prostředí.
- h) **Nedovolte, aby jistota získaná častým používáním nářadí vedla ke snížení vaší pozornosti a ignorování zásad bezpečné práce s nářadím.** Chvilková nepozornost může během zlomku sekundy způsobit vážné zranění.
- 4) Použití elektrického nářadí a jeho údržba**
- a) **Nepřetěžujte elektrické nářadí. Používejte pro prováděnou práci správné elektrické nářadí.** Správné elektrické nářadí provede práci lépe a bezpečněji, je-li použito pro práce, pro které je určeno.
- b) **Nepoužívejte elektrické nářadí, nepracuje-li správně jeho spouštěcí spínač.** Elektrické nářadí, které nelze ovládat pomocí spouštěcího spínače, je velmi nebezpečné a musí být opraveno.
- c) **Před prováděním jakéhokoliv seřízení, před výměnou příslušenství nebo před uložením odpojte napájecí kabel nářadí od napájecího zdroje nebo z nářadí vyjměte akumulátor.** Tato preventivní bezpečnostní opatření snižují riziko náhodného spuštění elektrického nářadí.
- d) **Uložte nepoužívané elektrické nářadí mimo dosah dětí a nedovolte osobám, které nejsou**

obeznámeny s tímto nářadím nebo s těmito pokyny, aby toto elektrické nářadí používaly.

Elektrické nářadí je v rukách neproškolených osob nebezpečné.

- e) **Provádějte údržbu elektrického nářadí. Zkontrolujte nevyrovnaní nebo vážnutí pohyblivých částí, poškození součástí a jiné stavy, které by mohly mít vliv na správnou funkci nářadí. Je-li elektrické nářadí poškozeno, zajistěte jeho opravu dříve, než jej použijete.** Mnohé nehody bývají způsobeny nedostatečnou údržbou elektrického nářadí.
 - f) **Udržujte řezné nástroje ostré a čisté.** U správně udržovaných řezných nástrojů s ostrými řeznými břity je menší pravděpodobnost jejich zablokování a lépe se s nimi pracuje.
 - g) **Používejte elektrické nářadí, příslušenství, pracovní nástroje atd. v souladu s těmito pokyny a berte v úvahu pracovní podmínky a práci, která má být provedena.** Použití elektrického nářadí pro operace, pro které není určeno, může vést k nebezpečným situacím.
 - h) **Dbejte na to, aby byly rukojeti a úchopné povrchy suché, čisté a zbavené olejů a maziv.** Kluzké rukojeti a úchopné plochy neumožňují bezpečnou manipulaci a ovládání nářadí v neočekávaných situacích.
- 5) Použití a údržba akumulátorového nářadí**
- a) **K nabíjení používejte výhradně nabíječku předepsanou výrobcem.** Nabíječka vhodná pro jeden typ akumulátoru může způsobit požár při vložení jiného, nevhodného typu.
 - b) **Používejte elektrické nářadí pouze s předepsanými akumulátory.** Použití jiných typů akumulátoru může způsobit požár nebo zranění.
 - c) **Není-li akumulátor používán, uložte jej mimo dosah kovových předmětů, jako jsou kancelářské sponky, mince, klíče, hřebíky, šroubky nebo jiné malé kovové předměty, které by mohly zkratovat jeho kontakty.** Zkratování kontaktů akumulátoru může způsobit popáleniny nebo požár.
 - d) **Za nevhodných podmínek může z akumulátoru unikat kapalina. Vyvarujte se kontaktu s touto kapalinou. Dojde-li k náhodnému kontaktu s touto kapalinou, zasažené místo omyjte vodou. Dostane-li se kapalina do očí, ihned si je vypláchněte vodou a vyhledejte lékařskou pomoc.** Unikající kapalina z akumulátoru může způsobit podráždění pokožky nebo popáleniny.

- e) **Nepoužívejte poškozený nebo upravený akumulátor či nářadí.** Poškozené nebo upravené akumulátory se mohou chovat nepředvídatelně, což může způsobit požár, výbuch nebo nebezpečí zranění.
 - f) **Nevystavujte akumulátor nebo nářadí ohni ani nadměrným teplotám.** Vystavení účinkům ohně nebo teplot nad 130 °C může způsobit výbuch. POZNÁMKA: Teplota „130 °C“ odpovídá teplotě „265 °F“.
 - g) **Dodržujte všechny pokyny pro nabíjení a nenabíjejte akumulátor ani nářadí mimo teplotní rozsah předepsaný v těchto pokynech.** Nesprávné nabíjení nebo nabíjení při teplotě mimo předepsaný rozsah může poškodit akumulátor a zvýšit nebezpečí vzniku požáru.
- 6) Servis**
- a) **Svěřte opravu svého elektrického nářadí pouze osobě s příslušnou kvalifikací, která bude používat výhradně originální náhradní díly.** Tím zajistíte bezpečný provoz tohoto elektrického nářadí.
 - b) **Nikdy neopravujte poškozené akumulátorové moduly.** Opravy akumulátorů smí provádět výhradně výrobce nebo technik autorizovaného servisu.

BEZPEČNOSTNÍ VÝSTRAHY PRO KOTOUČOVÉ PILY

Metody řezání

- **Varování: Udržujte ruce v bezpečné vzdálenosti od prostoru řezání a kotouče.** Druhou ruku mějte na přidavné rukojeti nebo na skříní motoru. Když obě ruce drží pilu, nemohou být užity kotoučem.
- **Nesahejte pod obrobek.** Kryt vás nemůže chránit před kotoučem pod obrobkem.
- **Hloubku řezání přizpůsobte tloušťce obrobku.** Pod obrobkem by měla být vidět méně než polovina zubu kotouče.
- **Při řezání obrobek nikdy nedržte rukama nebo na nohou.** Obrobek zajistěte na stabilní platformě. Pro minimalizaci ohrožení těla, ohýbání kotouče nebo ztráty kontroly je důležité správné podepření obrobku.
- **Při provádění prací, během kterých se může řezný nástroj dostat do kontaktu se skrytou elektroinstalací, držte toto elektrické nářadí za izolované plochy určené pro úchop.** Kontakt s „živým“ vodičem způsobí, že nechráněné

kovové části elektrického nářadí budou také „živé“, což může způsobit úraz obsluhy elektrickým proudem.

- **Při podélných řezech vždy používejte doraz pro podélné řezy nebo vodítko.** To zlepšuje přesnost řezání a omezuje riziko ohnutí kotouče.
- **Vždy používejte kotouče se správnou velikostí a tvarem upínacího otvoru (hranatý a kulatý).** Kotouče s upínacími otvory, které neodpovídají montážním prvkům pily, nebudou při otáčení vystředěné, což způsobí ztrátu kontroly nad pilou.
- **Nikdy nepoužívejte poškozené nebo nesprávné podložky nebo šroub kotouče.** Podložky a šroub kotouče jsou speciálně konstruované pro vaši pilu pro její optimální výkon a bezpečný provoz.

Příčiny zpětného rázu a příslušná varování

- Zpětný ráz je náhlá reakce na sevřený, uvízlý nebo nevyrovnaný pilový kotouč, která způsobuje nekontrolované zvednutí pily nahoru z obrobku směrem k obsluze;
- Když je kotouč silně sevřený nebo uvízlý ve štěrbině řezu, kotouč se zastaví a reakce motoru jednotku prudce odhodí dozadu směrem k obsluze;
- Pokud se kotouč zkroutí nebo nastaví nakřivo v řezu, zuby na zadním okraji se mohou zaseknout do horního povrchu dřeva a způsobit tak zvednutí kotouče ze štěrbině řezu a odhození dozadu směrem k obsluze.
- Zpětný ráz vzniká v důsledku nesprávného použití pily nebo v důsledku nesprávných provozních postupů či provozních podmínek a může mu být zabráněno, budou-li dodržovány níže uvedené pokyny.
- **Držte pilu neustále oběma rukama a paže mějte v poloze vhodné k čelení silám zpětného rázu.** Tělo mějte v poloze na jedné straně kotouče, ne v rovině kotouče. Zpětný ráz může způsobit odmrštění pily dozadu, ale síly zpětného rázu může obsluha kontrolovat přijetím správných opatření.
- **Když kotouč uvízne nebo se z jakéhokoliv důvodu přeruší řezání, uvolněte spouštěcí spínač a nechte pilu bez pohybu v materiálu, dokud se kotouč úplně nezastaví.** Nikdy se nepokoušejte odebrat pilu z obrobku nebo ji táhnout zpět, když je kotouč v pohybu, protože by mohl dojít ke zpětnému rázu. Přezkoumejte situaci a proveďte nápravné akce, abyste eliminovali příčinu zablokování kotouče.
- **Při opětovném zapnutí pily vystředte kotouč ve štěrbině řezu a zkontrolujte, zda zuby kotouče nejsou v záběru v materiálu.** Pokud kotouč vážne, může při opětovném zapnutí vyběhnout nahoru nebo způsobit zpětný ráz.
- **Velké desky podepřete, aby se minimalizovalo riziko sevření kotouče a zpětného rázu.** Velké desky mají tendenci se působením vlastní hmotnosti prohýbat. Podpěry je nutné umístit na obě strany desky, v blízkosti linie řezu a k okrajům desky.
- **Nepoužívejte tupé nebo poškozené pilové kotouče.** Tupé nebo nesprávně nastavené kotouče vytvářejí úzký řez způsobující nadměrné tření, ohýbání pilového kotouče a zpětné rázy.
- **Zajišťovací páčky hloubky řezu a šikmého řezu musejí být před řezáním utažené.** Pokud se během řezání změní nastavení kotouče, může dojít k sevření a zpětnému rázu.
- **Buďte velmi opatrní při řezání do stávajících stěn nebo do jiných ploch, za které nevidíte.** Vyčnívající kotouč může přerážnout objekty, které mohou způsobit zpětný ráz.

Funkce spodního ochranného krytu

- **Před každým řezáním zkontrolujte správné zavírání spodního ochranného krytu.** Pilu neprovazujte, pokud se spodní ochranný kryt nepohybuje volně a ihned se nezavírá. Spodní ochranný kryt nikdy nezajistějte nebo neuvazujte v otevřené poloze. Pokud pila náhodně spadne, může dojít k ohnutí spodního krytu. Zvedněte spodní kryt zasouvací rukojetí a zkontrolujte, zda se volně pohybuje a nikde se nedotýká jiných dílů ve všech úhlech a hloubkách řezu.
- **Zkontrolujte funkci pružiny spodního ochranného krytu. Pokud spodní ochranný kryt a pružina nefungují správně, před použitím je nutné provést opravu.** Spodní ochranný kryt může fungovat pomalu kvůli poškozeným dílům, lepivým usazeninám nebo kvůli nečistotám.
- **Spodní ochranný může být zasunut ručně pouze u speciálních řezů, jako jsou „ponorné řezy a šikmé řezy“.** Zvedněte spodní ochranný kryt zatažením za rukojeť a jakmile kotouč vnikne do materiálu, dolní ochranný kryt uvolněte. U všech ostatních řezů musí spodní ochranný kryt fungovat automaticky.
- **Před položením pily na stůl nebo podlahu vždy zkontrolujte zavření spodního ochranného krytu.** Nechráněný dobíhající kotouč způsobí pohyb

pily dozadu a rozřezání všeho, co mu stojí v cestě. Věnujte pozornost době doběhu kotouče do zastavení po uvolnění spínače.

DALŠÍ BEZPEČNOSTNÍ VÝSTRAHY

- **Nesahejte rukama do otvoru pro odvod pilin.** Mohlo by dojít k poranění rukou rotujícími díly.
- **Nepracujte s pilou nad hlavou.** V takové situaci nemáte dostatečnou kontrolu nad elektrickým nářadím.
- **Použijte vhodné detektory pro detekci skrytých inženýrských sítí v pracovním prostoru nebo požádejte o pomoc rozvodnou společnost.** Kontakt s elektrickým vedením může způsobit požár a úraz elektrickým proudem. Poškození plynového potrubí může způsobit výbuch. Narušení vodovodního potrubí může mít za následek poškození majetku.
- **Elektrické nářadí nepoužívejte stacionárně.** Toto nářadí není určeno pro použití se stolem pro pilu.
- **Nepoužívejte pilové kotouče z rychlořezné oceli (HSS).** Tyto pilové kotouče mohou snadno prasknout.
- **Neřežte železné kovy.** Žhavé piliny mohou zapálit odsávání prachu.
- **Při práci držte toto nářadí vždy pevně oběma rukama a udržujte bezpečný pracovní postoj.** Toto nářadí je vedeno bezpečněji, je-li drženo oběma rukama.
- **Zajistěte obrobek.** Obrobek upevněný v upínacím zařízení nebo ve svěráku je zajištěn lépe než při držení rukou.
- **Před odložením nářadí vždy počkejte, dokud nedojde k jeho úplnému zastavení.** Pilový kotouč se může zablokovat, což může vést k ztrátě kontroly nad tímto elektrickým nářadím.
- **Kotoučové pily jsou určeny pro řezání dřeva nebo výrobků na bázi dřeva, nemohou být používány s rozbrušovacími kotouči na řezání železných materiálů, jako jsou kulatiny, tyče, svorníky atd.** Prach z takových materiálů způsobuje zablokování pohyblivých dílů, jako je spodní kryt. Jiskry vznikající při řezání kovů způsobí vznícení spodního krytu, vložky stolu a dalších plastových dílů.
- **Používejte pouze pilové kotouče, které jsou označeny otáčkami, které jsou stejné nebo vyšší, než jsou otáčky uvedené na nářadí.**
- **Používejte pouze pilové kotouče, které se shodují se specifikací uvedenou v tomto návodu**

a které byly testovány a označeny podle požadavků normy EN 847-1.

2. INFORMACE O ZAŘÍZENÍ

Zamýšlené použití

Tato kotoučová pila je určena k podélným, příčným a šikmým řezům dřeva, kdy je základna pily pevně opřena o obrobek. Řezání plastů nebo kovů není povoleno.

Toto elektrické nářadí s namontovaným pilovým kotoučem je navrženo s dostatečnou kapacitou pro řezání tvrdého a měkkého dřeva, a také dřevotřískových a dřevolátnitých desek. Tento pilový kotouč není určen pro řezání palivového dřeva. Nepoužívejte tuto pilu pro řezání jiných materiálů, než jsou materiály specifikované v tomto návodu.

TECHNICKÉ ÚDAJE

Model č.	CS502AC
Napětí	230-240 V~
Frekvence	50 Hz
Příkon	1200 W
Otáčky naprázdno	5500/min
Rozměry pilového kotouče	Ø185 x Ø20 x 2,4 mm
Kapacita řezání 0°	65 mm
Kapacita řezání 45°	43 mm
Třída ochrany IP	IP20
Hmotnost	3,47 kg
Akustický tlak LPA	92,8 dB(A), K = 3 dB(A)
Akustický výkon LWA	103,8 dB(A), K = 3 dB(A)
Vibrace	3,201 m/s ² K=1,5 m/s ²

Úroveň vibrací

Deklarovaná úroveň vibrací uvedená v tomto návodu byla měřena v souladu se standardní zkušební metodou předepsanou normou EN EN62841. Tato úroveň vibrací může být použita pro srovnání jednotlivých nářadí mezi sebou a také při předběžném posouzení působících vibrací při používání nářadí při uvedených aplikacích.

- Použití tohoto nářadí pro jiné aplikace nebo s odlišným nebo špatně udržovaným příslušenstvím může značně zvýšit působení vibrací.

- Doba, kdy je nářadí vypnuto nebo kdy je v chodu, ale aktuálně nevykonává žádnou práci, může působení vibrací značně zmírnit.

Chraňte se před působením vibrací prováděním řádné údržby tohoto nářadí i jeho příslušenství, udržujte ruce v teple a provádějte práci správným způsobem.

POPIS

Čísla v následujícím textu odkazují na obrázky na stranách 2-3.

1. Rukojeť
2. Vypínač
3. Odjišťovací tlačítko
4. Napájecí kabel
5. Pomocná rukojeť
6. Měřítka úhlů šikmého řezu
7. Upínací šroub pro úhel šikmého řezu
8. Značka řezu, 45°
9. Značka řezu, 0°
10. Upínací šroub paralelního vodítka
11. Port pro odsávání prachu
12. Páčka pro zasunutí spodního ochranného krytu
13. Horní kryt
14. Spodní kryt
15. Upínací šroub
16. Upínací příruba
17. Základna
18. Pilový kotouč
19. Blokování hřídele
20. Páčka pro nastavení hloubky
21. Stupnice pro nastavení hloubky
22. Paralelní vodítko
23. Kryt uhlíků

3. SESTAVENÍ



Před sestavením vždy vypněte a vypojte zástrčku napájecího kabelu ze síťové zásuvky.

Výměna pilového kotouče (obr. A, B)



Při manipulaci s pilovým kotoučem použijte rukavice. Nebezpečí zranění při kontaktu s pilovým kotoučem.



Používejte pouze pilové kotouče, které vyhovují specifikacím uvedeným v tomto návodu.



Za žádných okolností nepoužívejte brusné kotouče jako řezný nástroj.

Při výměně pilového kotouče je nejlepším řešením nastavení hloubky řezu na hodnotu 0 mm a úhlu šikmého řezu na hodnotu 0°. Potom můžete nářadí položit na bok tak, aby spočívalo na krytu motoru a základně.

Sejmutí pilového kotouče

1. Stiskněte a držte tlačítko zajištění hřídele (19).
2. Pomocí dodaného šestihřanného klíče povolte upínací šroub (15) proti směru pohybu hodinových ručiček.
3. Sejměte upínací šroub (15) a upínací přírubu (16).
4. Zasuňte spodní kryt (14) pomocí páčky (12) a vyjměte pilový kotouč.

Nasazení pilového kotouče

1. Očistěte pilový kotouč a všechny upínací části, které budete potřebovat.
2. Zasuňte spodní kryt (14) pomocí páčky (12) a nasadte pilový kotouč. Ujistěte se, zda se směr šipky na pilovém kotouči shoduje se směrem šipky na spodním krytu (14).
3. Namontujte upínací přírubu (16). Zajistěte, aby boční plošky upínací příruby odpovídaly bočním ploškám na hřídeli nářadí. Zkontrolujte také, zda je vypouklá strana upínací příruby po namontování otočena směrem ven.
4. Stiskněte a držte tlačítko zajištění hřídele (19).
5. Pomocí dodaného šestihřanného klíče utáhněte upínací šroub (15) ve směru pohybu hodinových ručiček.

Upevnění paralelního vodítka (obr. D)

1. Povolte upínací šroub pro paralelní vodítko (10)
2. Namontujte paralelní vodítko (22) na základnu (17).
3. Pomocí měřítka na paralelním vodítku (22) a značky řezu na základně (17) nastavte požadovanou šířku řezu. Značka řezu pro 45° (8) indikuje polohu pilového kotouče pro šikmý řez v úhlu 45°. Značka řezu 0° (9) indikuje polohu pilového kotouče pro provádění pravouhých řezů.
4. Utáhněte upínací šroub (10).

4. POUŽITÍ

Zapnutí a vypnutí nářadí (obr. A, B)

- Chcete-li spustit toto nářadí, podržte stisknuté zajišťovací tlačítko (3) a stiskněte vypínač (2).
- Chcete-li nářadí vypnout, uvolněte vypínač (2).

Nastavení úhlu šikmého řezu (obr. A, B)

Značka řezu 0° (9) indikuje polohu pilového kotouče pro přímé řezu. Značka řezu 45° (8) indikuje polohu pilového kotouče pro řezu v úhlu 45°.

1. Povolte upínací šroub (7)
2. Nastavte základnu (17) do požadované polohy (0° až 45°). Úhel řezu (šikmého) může být odečítán na měřítku (6).
3. Utáhněte upínací šroub (7).

Nastavení hloubky řezu (obr. C)

1. Povolte páčku pro nastavení hloubky (20).
2. Přestavte základnu (17) do požadované polohy. Hloubku řezu lze odečítat na stupnici (21).
3. Utáhněte páčku pro nastavení hloubky (20).

Optimální použití

- Upněte obrobek pomocí svorek nebo svěráku, abyste měli obě ruce volné pro obsluhu této pily.
- Zapněte pilu a umístěte spodní část základny na obrobek.
- Pomalu přesuňte pilu směrem k nakreslené čáře řezu a pomalu tlačte toto nářadí směrem dopředu.
- Přitlačte základnu řádně na obrobek, aby neomhla tato kotoučová pila začít vibrovat, což by způsobilo snazší prasknutí kotouče.
- Nechejte pilu pracovat vlastním tempem. Nevývíjejte na tuto kotoučovou pilu žádný tlak.

5. ÚDRŽBA



Před čištěním a prováděním údržby zařízení vždy vypněte a vypojte zástrčku napájecího kabelu ze síťové zásuvky.

Pravidelně čistěte kryt zařízení měkkým hadříkem, ideálně po každém použití. Ujistěte se, že nejsou větrací otvory zaneseny prachem ani jinými nečistotami. Odolnější nečistoty odstraňte pomocí jemného hadříku navlhčeného v mýdlové pěně. Nepoužívejte žádná rozpouštědla, jako je benzín, líh, čpavek atd. Takové chemické látky mohou způsobit poškození dílů z umělé hmoty.

OCHRANA ŽIVOTNÍHO PROSTŘEDÍ



Poškozená a likvidovaná elektrická nebo elektronická zařízení musí být odevzdána ve sběrných dvorech, které jsou určeny pro tento účel.

Pouze pro země EU

Nevyhazujte elektrická nářadí do běžného domácího odpadu. Podle evropské směrnice 2012/19/EU týkající se likvidace elektrických a elektronických zařízení a její implementace do vnitrostátního práva, musí být nepoužívaná elektrická nářadí shromažďována odděleně a jejich likvidace musí být provedena tak, aby nedošlo k ohrožení životního prostředí.

ZÁRUKA

Výrobky VONROC jsou vyvíjeny v souladu s požadavky norem na nejvyšší kvalitu a je zaručeno, že po dobu platné záruky, která začíná běžet dnem původního nákupu, nebudou na těchto výrobcích žádné vady materiálu, ani vady způsobené špatným dílenským zpracováním. Dojde-li během tohoto období k závadě v důsledku vady materiálu nebo dílenského zpracování, kontaktujte přímo firmu VONROC.

Z této záruky jsou vyloučeny následující případy:

- Opravy nebo úpravy tohoto zařízení byly provedeny nebo byly provedeny pokusy o jejich provedení v neautorizovaných servisních střediscích;
- Běžné opotřebování;
- Toto zařízení bylo nesprávně použito, nevhodně použito nebo nebyla prováděna jeho správná údržba;
- Byly použity neoriginální náhradní díly.

Výše uvedené představuje jedinou záruku poskytovanou společností, ať už výslovnou nebo předpokládanou. Neexistují žádné další záruky, výslovné ani nebo předpokládané, které přesahují rámec zde uvedeného, včetně předpokládaných záruk prodejnosti a vhodnosti pro určitý účel. Společnost VONROC v žádném případě neodpovídá za jakékoli náhodné ani následné škody. Opravné prostředky prodejců se omezují výhradně na opravu nebo výměnu nevyhovujících jednotek nebo dílů.

Na tomto výrobku a v tomto návodu mohou být prováděny změny. Specifikace mohou být měněny bez dalšího upozornění.



**DECLARATION OF CONFORMITY
CS502AC - CIRCULAR SAW**

- (EN) We declare under our sole responsibility that this product is in conformity with directive 2011/65/EU of the European parliament and of the council of 8 June on the restriction of the use of certain hazardous substances in electrical and electronic equipment is in conformity and accordance with the following standards and regulations:
- (DE) Der Hersteller erklärt eigenverantwortlich, dass dieses Produkt der Direktive 2011/65/EU des Europäischen Parlaments und des Rats vom 8. Juni 2011 über die Einschränkung der Anwendung von bestimmten gefährlichen Stoffen in elektrischen und elektronischen Geräten entspricht. den folgenden Standards und Vorschriften entspricht:
- (NL) Wij verklaren onder onze volledige verantwoordelijkheid dat dit product voldoet aan de conform Richtlijn 2011/65/EU van het Europees Parlement en de Raad van 8 juni 2011 betreffende beperking van het gebruik van bepaalde gevaarlijke stoffen in elektrische en elektronische apparatuur en in overeenstemming is met de volgende standaarden en reguleringen:
- (FR) Nous déclarons sous notre seule responsabilité que ce produit est conforme aux standards et directives suivants: est conforme à la Directive 2011/65/EU du Parlement Européen et du Conseil du 8 juin 2011 concernant la limitation d'usage de certaines substances dangereuses dans l'équipement électrique et électronique.
- (ES) Declaramos bajo nuestra exclusiva responsabilidad que este producto cumple con las siguientes normas y estándares de funcionamiento: se encuentra conforme con la Directiva 2011/65/UE del Parlamento Europeo y del Consejo de 8 de junio de 2011 sobre la restricción del uso de determinadas sustancias peligrosas en los equipos eléctricos y electrónicos.
- (IT) Dichiariamo, sotto la nostra responsabilità, che questo prodotto è conforme alle normative e ai regolamenti seguenti: è conforme alla Direttiva 2011/65/UE del Parlamento Europeo e del Consiglio dell'8 giugno 2011 sulla limitazione dell'uso di determinate sostanze pericolose nelle apparecchiature elettriche ed elettroniche.
- (SV) Vi garanterar på eget ansvar att denna produkt uppfyller och följer följande standarder och bestämmelser: uppfyller direktiv 2011/65/EU från Europeiska parlamentet och EG-rådet från den 8 juni 2011 om begränsningen av användning av farliga substanser i elektrisk och elektronisk utrustning.
- (DA) Vi erklærer under eget ansvar, at dette produkt er i overensstemmelse med følgende standarder og bestemmelser: er i overensstemmelse med direktiv 2011/65/EU fra Europa-Parlamentet og Rådet af 8. juni 2011 om begrænsning af anvendelsen af visse farlige stoffer i elektrisk og elektronisk udstyr.
- (PL) Deklarujemy na własną odpowiedzialność, że ten produkt spełnia wymogi zawarte w następujących normach i przepisach: jest zgodny z Dyrektywą 2011/65/UE Parlamentu Europejskiego i Rady z dnia 8 czerwca 2011 r. w sprawie ograniczenia stosowania niektórych niebezpiecznych substancji w sprzęcie elektrycznym i elektronicznym.
- (RO) Declărăm prin aceasta cu răspunderea deplină că produsul acesta este în conformitate cu următoarele standarde sau directive: este în conformitate cu Directiva 2011/65/UE a Parlamentului European și a Consiliului din 8 iunie 2011 cu privire la interzicerea utilizării anumitor substanțe periculoase la echipamentele electrice și electronice.
- (PT) Declaramos, sob nossa exclusiva responsabilidade, que este produto está em conformidade com a directiva 2011/65/UE do Parlamento Europeu e com a directiva do conselho de 8 de Junho sobre a restrição da utilização de determinadas substâncias perigosas em equipamento eléctrico e electrónico está em conformidade e de acordo com as seguintes normas e regulamentações:
- (HU) Kizárólagos felelősségünk tudatában kijelentjük, hogy a termék megfelel az Európai Parlamentnek és a Tanácsnak az egyes veszélyes anyagok elektromos és elektronikus berendezésekben való alkalmazásának korlátozásáról szóló 2011/65/EU irányelvének (VI.8.), valamint a következő szabványoknak és jogszabályoknak:
- (CS) Prohlašujeme na svou výhradní odpovědnost, že tento výrobek splňuje požadavky směrnice 2011/65/EU Evropské rady a parlamentu ze dne 8. června, která se týká omezení používání určitých nebezpečných látek v elektrických a elektronických zařízeních, a splňuje také všechny požadavky následujících norem a předpisů:

EN 61000-3-2, EN 61000-3-3, EN 62841-1, EN 62841-2-5, EN 55014-1, EN 55014-2, 2011/65/EU, 2014/30/EU, 2006/42/EC, 2012/19/EU

Zwolle, 01-03-2023

H.G.F Rosberg
CEO

VONROC • Lingenstraat 6 • 8028 PM Zwolle • The Netherlands



VONROC®
BUILD YOUR FUTURE

©2023 VONROC
WWW.VONROC.COM

2303-28