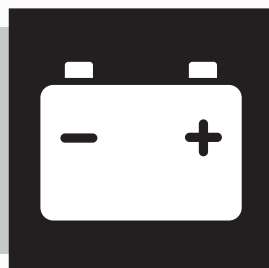




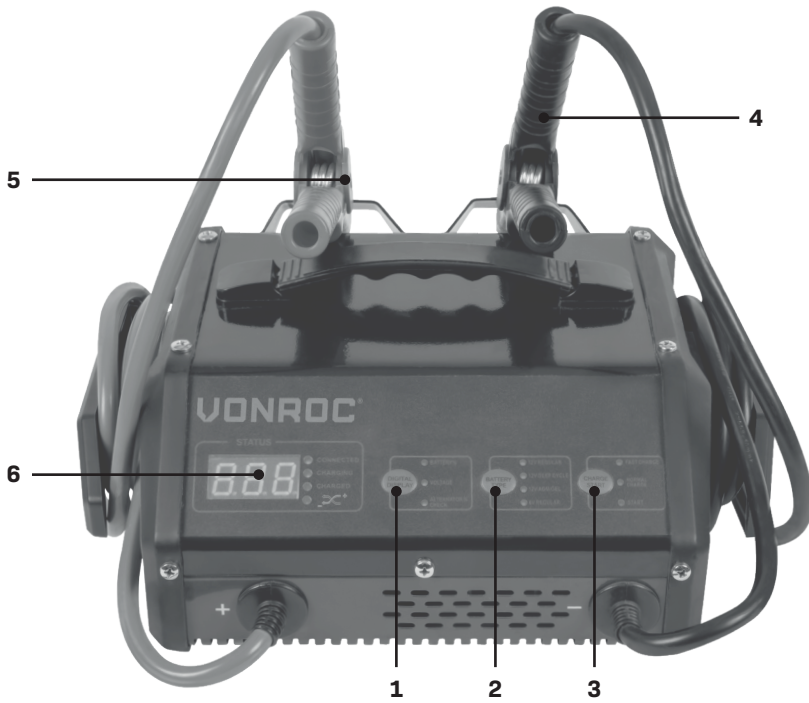
VONROC®
BUILD YOUR FUTURE

**BATTERY CHARGER 15A
WITH JUMP START FUNCTION
BC501AC**

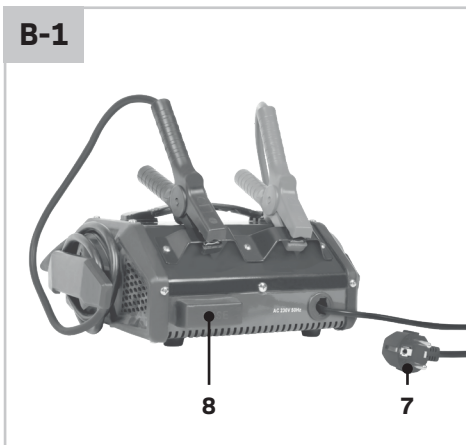


EN Original Instructions	03	DA Oversættelse af den originale brugsanvisning	55
DE Übersetzung Der Originalbetriebsanleitung	09	PL Tłumaczenie instrukcji oryginalnej	62
NL Vertaling van de oorspronkelijke gebruiksaanwijzing	17	RO Traducere a instrucțiunilor originale	69
FR Traduction de la notice originale	25	PT Tradução do manual original	76
ES Traducción del manual original	33	HU Eredeti használati utasítás fordítása	84
IT Traduzione delle istruzioni originali	41	CS Překlad původního návodu k používání	91
SV Översättning av bruksanvisning i original	48		

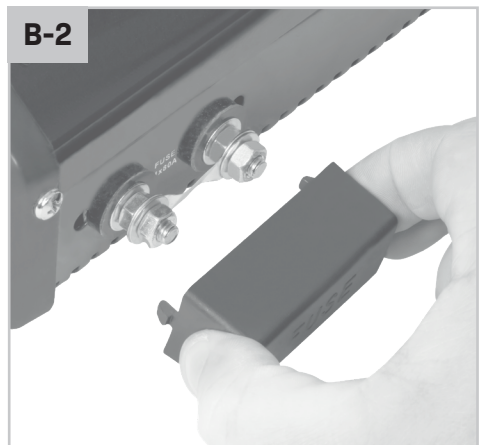
A



B-1



B-2



1. SAFETY INSTRUCTIONS

Read the enclosed safety warnings, the additional safety warnings and the instructions. Failure to follow the safety warnings and the instructions may result in electric shock, fire and/or serious injury. Save the safety warnings and the instructions for future reference.

The following symbols are used in the user manual or on the product:



Read the user manual.



Denotes risk of personal injury, loss of life or damage to the tool in case of non-observance of the instructions in this manual.



Indicates electrical shock hazard.



Indicates explosion hazard.



Do not dispose of the product in unsuitable containers.



In accordance with applicable safety standards and European directives.

GENERAL POWER TOOL SAFETY WARNINGS



WARNING! Read all safety warnings and all instructions. Failure to follow the warnings and instructions may result in electric shock, fire and/or serious injury.

Save all warnings and instructions for future reference.

The term “power tool” in the warnings refers to your mains-operated (corded) power tool or battery-operated (cordless) power tool.

1) Work area safety

- Keep the work area clean and well lit.** Cluttered or dark areas invite accidents.
- Do not operate power tools in explosive atmospheres, such as in the presence of flammable liquids, gases or dust.** Power tools create sparks which may ignite the dust or fumes.
- Keep children and bystanders away while operating a power tool.** Distractions can cause you to lose control.

2) Electrical safety

- Power tool plugs must match the outlet. Never modify the plug in any way. Do not use any adapter plugs with earthed (grounded) power tools.** Unmodified plugs and matching outlets will reduce risk of electric shock.
- Avoid body contact with earthed or grounded surfaces, such as pipes, radiators, ranges and refrigerators.** There is an increased risk of electric shock if your body is earthed or grounded.
- Do not expose power tools to rain or wet conditions.** Water entering a power tool will increase the risk of electric shock.
- Do not abuse the cord. Never use the cord for carrying, pulling or unplugging the power tool. Keep cord away from heat, oil, sharp edges or moving parts.** Damaged or entangled cords increase the risk of electric shock.
- When operating a power tool outdoors, use an extension cord suitable for outdoor use.** Use of a cord suitable for outdoor use reduces the risk of electric shock.
- If operating a power tool in a damp location is unavoidable, use a residual current device (RCD) protected supply.** Use of an RCD reduces the risk of electric shock.

3) Personal safety

- Stay alert, watch what you are doing and use common sense when operating a power tool. Do not use a power tool while you are tired or under the influence of drugs, alcohol or medication.** A moment of inattention while operating power tools may result in serious personal injury.
- Use personal protective equipment. Always wear eye protection.** Protective equipment such as dust mask, non-skid safety shoes, hard hat, or hearing protection used for appropriate conditions will reduce personal injuries.
- Prevent unintentional starting. Ensure the switch is in the off-position before connecting to power source and/or battery pack, picking up or carrying the tool.** Carrying power tools with your finger on the switch or energising power tools that have the switch on invites accidents.
- Remove any adjusting key or wrench before turning the power tool on.** A wrench or a key left attached to a rotating part of the power tool may result in personal injury.
- Do not overreach. Keep proper footing and balance at all times.** This enables better control

of the power tool in unexpected situations.

- f) **Dress properly. Do not wear loose clothing or jewellery. Keep your hair, clothing and gloves away from moving parts.** Loose clothes, jewellery or long hair can be caught in moving parts.
 - g) **If devices are provided for the connection of dust extraction and collection facilities, ensure these are connected and properly used.** Use of dust collection can reduce dust related hazards.
 - h) **Do not let familiarity gained from frequent use of tools allow you to become complacent and ignore tool safety principles.** A careless action can cause severe injury within a fraction of a second.
- 4) Power tool use and care**
- a) **Do not force the power tool. Use the correct power tool for your application.** The correct power tool will do the job better and safer at the rate for which it was designed.
 - b) **Do not use the power tool if the switch does not turn it on and off.** Any power tool that cannot be controlled with the switch is dangerous and must be repaired.
 - c) **Disconnect the plug from the power source and/or the battery pack from the power tool before making any adjustments, changing accessories, or storing power tools.** Such preventive safety measures reduce the risk of starting the power tool accidentally.
 - d) **Store idle power tools out of the reach of children and do not allow persons unfamiliar with the power tool or these instructions to operate the power tool.** Power tools are dangerous in the hands of untrained users.
 - e) **Maintain power tools. Check for misalignment or binding of moving parts, breakage of parts and any other condition that may affect the power tool's operation. If damaged, have the power tool repaired before use.** Many accidents are caused by poorly maintained power tools.
 - f) **Keep cutting tools sharp and clean.** Properly maintained cutting tools with sharp cutting edges are less likely to bind and are easier to control.
 - g) **Use the power tool, accessories and tool bits etc. in accordance with these instructions, taking into account the working conditions and the work to be performed.** Use of the power tool for operations different from those intended could result in a hazardous situation.
 - h) **Keep handles and grasping surfaces dry, clean and free from oil and grease.** Slippery handles

and grasping surfaces do not allow for safe handling and control of the tool in unexpected situations.

5) Battery tool use and care

- a) **Recharge only with the charger specified by the manufacturer.** A charger that is suitable for one type of battery pack may create a risk of fire when used with another battery pack.
 - b) **Use power tools only with specifically designed battery packs.** Use of any other battery packs may create a risk of injury and fire.
 - c) **When battery pack is not in use, keep it away from other metal objects, like paper clips, coins, keys, nails, screws or other small metal objects that can make a connection from one terminal to another.** Shorting the battery terminals together may cause burns or a fire.
 - d) **Under abusive conditions, liquid may be ejected from the battery; avoid contact. If contact accidentally occurs, flush with water. If liquid contacts eyes, additionally seek medical help.** Liquid ejected from the battery may cause irritation or burns.
 - e) **Do not use a battery pack or tool that is damaged or modified.** Damaged or modified batteries may exhibit unpredictable behaviour resulting in fire, explosion or risk of injury.
 - f) **Do not expose a battery pack or tool to fire or excessive temperature.** Exposure to fire or temperature above 130 °C may cause explosion. NOTE The temperature „130 °C“ can be replaced by the temperature „265 °F“.
 - g) **Follow all charging instructions and do not charge the battery pack or tool outside the temperature range specified in the instructions.** Charging improperly or at temperatures outside the specified range may damage the battery and increase the risk of fire.
- ## 6) Service
- a) **Have your power tool serviced by a qualified repair person using only identical replacement parts.** This will ensure that the safety of the power tool is maintained.
 - b) **Never service damaged battery packs.** Service of battery packs should only be performed by the manufacturer or authorized service providers.

ADDITIONAL SAFETY INSTRUCTIONS FOR BATTERY CHARGER

In the design of the battery charger the requirements for safe usage have been taken into account. Any change, adaptation, conversion or other use may interfere with the safety of the apparatus. In addition, the guarantee will no longer be valid because of this.



Keep out of the reach of children!

- Avoid a danger to life and the risk of injuries due to improper use!
- Do not operate the device if the cables, the mains cables or plug are damaged. A damaged mains cable indicates a life threatening danger due to electric shock.
- Only have a damaged power cable repaired by authorized and trained professionals! In the event a repair is required, please contact the service center for your country
- Danger for electric shock! For batteries permanently mounted in a vehicle, verify the vehicle is switched off! Switch off the ignition and put the vehicle in park with the handbrake engaged (e.g. car) or fixed rope (e.g. electric boat)!
- Danger for electric shock! Disconnect the car charger from the mains before connecting or removing the connectors to/from the battery.
- First connect the clamp not connected to the car body.
- Connect the other clamp to the car body, away from the battery and the fuel line. Then only connect the car charger to the power supply.
- Disconnect the car charger from the power supply after charging.



Danger of electric shock! Only touch the terminal connection cables (“-“ and “+“) in the insulated area!

- Danger of electric shock! Establish the connection to the battery and the mains current socket completely protected from moisture.
- Danger of electric shock! Only assemble, maintain and care for the car charger whilst disconnected from the mains!
- Danger of electric shock! Once the charging and discharge process is completed, in batteries permanently installed in vehicles first disconnect the charger’s negative terminal connection

cable (black) from the battery’s negative terminal.

- Do not leave toddlers or children unsupervised with the car charger!
- Children are not yet able to assess potential danger in handling electric appliances. Always supervise children to ensure they do not play with the tool.



Explosion hazard! Protect yourself from a highly explosive hydrogen/oxygen reaction! The battery may emit gaseous hydrogen during charging and trickle charging. Oxyhydrogen is an explosive mix of gaseous hydrogen and oxygen. Contact with open fire (flames, embers or sparks) will cause the so-called oxyhydrogen reaction! Perform charging and trickle charging in a well ventilated room protected from the weather. Be sure there is no open fire during charging and maintenance charging!

- Danger of explosion and fire hazard! Ensure that there is no possibility of ignition of explosive or flame able materials, such as petrol or solvents, while using the charger!
- Explosive gasses! Avoid flames and sparks!
- Ensure adequate ventilation whilst charging.
- Place the battery on a well ventilated surface whilst charging. Ignoring this may damage the device.



Explosion hazard! Ensure the positive terminal connection cable does not come into contact with fuel lines.

- Danger of chemical burns! Protect your eyes and skin against corrosion from acids when coming into contact with the battery!
- Use acid-proof goggles, clothing and gloves! If eyes or skin has come into contact with sulphuric acid, rinse the effected body region off with a plenty of clean water and consults a doctor straight away!
- Avoid electric short-circuits when connecting the car charger to the battery. Only connect the negative terminal connection cable to the negative battery terminal or the car body. Only connect the positive terminal connection cable to the positive battery terminal!
- Before connecting to the mains, verify the

mains power has the required 230 V~ 50 Hz, neutral lead, a 16 A fuse and an ELCB switch (earth leakage circuit breaker)! Ignoring this advice may damage the device.

- Do not place the charger close to fire, heat and prolonged temperatures over 50 °C! The output power of the car charger automatically drops in higher temperatures.
- Ensure no fuel lines, electric cables, hydraulic-, water pipes are damaged by the screws whilst assembling the charger! Otherwise there is a risk of death or injuries!
- Only use the car charger with the included original parts!
- Do not cover the car charger with objects! Ignoring this advice may damage the device.
- Protect the surfaces of the battery's electrical contacts from short circuiting!
- Only use the car charger for charging and maintenance charging undamaged 6 V- / 12 V lead-acid batteries (with electrolyte solution or gel)! Otherwise material damage could occur.
- Do not use the car charger for charging or trickle charging non-rechargeable batteries. Otherwise material damage could occur.
- Do not use the car charger to charge or trickle charge a damaged or frozen battery! Otherwise material damage could occur.
- Before connecting the charger, refer to the battery's original operating instructions for battery maintenance information! Otherwise there is a risk of injury and / or damaging the device.
- Before connecting the charger to a battery permanently connected to a vehicle, refer to the vehicle's operating instructions for information about maintaining electrical safety and maintenance! Otherwise there is a risk of injury and/or property damage.
- Also disconnect the car charger from the mains when not in use for environmental reasons! Remember standby operation also consumes electricity.
- Always be alert and always be careful what you do. Always proceed with caution and do not operate the car charger when unconfused or feel unwell.

2. MACHINE INFORMATION

Intended use

This device is designed to charge a variety of SLA (sealed lead-acid) batteries primarily used in cars, motorcycles and some other vehicles. Supported battery types are Regular, Deep cycle, Gel or AGM lead-acid batteries. The special design of the device allows the battery to be charged to near 100% of its capacity.

TECHNICAL SPECIFICATIONS

Model No.	BC501AC
Mains voltage	230V~
Mains frequency	50Hz
Power input	350W
Reverse current (no AC input)	<5mA
Rated output voltage	6V / 12V
Charging current	2A / 6A / 15A +/-10%
Supported battery types	Regular / Deep cycle / Gel / AGM
Supported battery capacity	8-210Ah
Ingress protection	IP20
Jump start current	75A max.
Jump start use interval	3s ON / 180s OFF

DESCRIPTION

The numbers in the text refer to the diagrams on page 2.

1. DISPLAY button
2. BATTERY TYPE button
3. MODE button
4. Negative (-) terminal clamp
5. Positive (+) terminal clamp
6. Digital display
7. Power cord
8. Fuse with cover

3. OPERATION



Remove the mains plug from the mains socket before performing any work on the battery charger. Risk of electric shock! Danger of damage to property! Risk of injury!

Connecting

- Before charging and trickle charging a battery permanently connected to a vehicle, first disconnect the battery negative terminal from the vehicle.
- Then disconnect the battery positive terminal from the vehicle.
- Only then connect the battery charger positive (red) clamp (5) to the positive (+) terminal of the battery.
- Lastly connect the battery charger negative (black) clamp (4) to the negative (-) terminal of the battery.

Note: If the connector clamps are correctly connected, the display (6) will show the voltage and the “Connected” indicator light will light up.

If the poles are accidentally reversed, the display (6) will read “0.0” and the “+/- Error” indicator will light up to signal a polarity error.

Disconnecting

- First disconnect the battery charger from the mains power.
- Remove the negative (black) clamp (4) from the battery terminal.
- Remove the positive (red) clamp (5) from the battery terminal.
- Reconnect the positive terminal of the battery to the vehicle’s positive connection.
- Reconnect the negative terminal of the battery to the vehicle’s negative connection.

Selecting the charging mode

You may charge a variety of batteries at different ambient temperatures using the different charging modes. The safe charging process protects against faulty connection and short-circuits. The integrated electronics do not switch the battery charger on immediately after the connection is made, but only after a charging mode has been selected.

- In case the “+/- Error” indicator lights up, verify if the terminal clamps (4 & 5) are correctly connected to the battery and if the correct battery type has been selected on the charger.

DISPLAY button (1)

Press this button to cycle between different display modes. The selected display mode is indicated by the lights next to the button. The following modes are available:

- Battery %: display shows the current state of charge of the connected battery, ranging from 0% (no charge) to 100% (full charge)
- Voltage: display shows the voltage of the connected battery
- Alternator %: display shows charger output power, ranging from 0% (off) to 100% (full power)

BATTERY TYPE button (2)

Press this button to cycle between different battery types.



Take care to select the correct battery type before starting the charging process. The currently selected battery type is indicated by the lights next to the BATTERY TYPE button (2).

The following battery types are supported:

- 12V Regular
- 12V Deep cycle
- 12V Gel / AGM
- 6V Regular

Note: After connecting the charger it will automatically determine the battery voltage. If the charger incorrectly detects a 12V battery as a 6V battery, it means the battery is faulty and/or over-discharged. Faulty batteries should be replaced, do not attempt to charge a faulty battery.

MODE button (3)

Press this button to cycle between different operating modes. The following modes may be selected:

- Fast charge: Quickly charges the battery. Recommended setting for low ambient temperatures.
- Normal charge: Normal charging process.
- Start: Briefly delivers a high current to jump start a vehicle with a weak or drained battery.

Using the jump start mode

Note: The jump start mode can only be exited by unplugging the power cord (7).



WARNING! Always make the connections in the correct order as described in this user manual. Otherwise the vehicle's electronics may be damaged. Proceed against the specifications at your own risk and responsibility. The jump start mode is not suitable for batteries with a capacity below 45Ah. Using this mode on a <45Ah battery could result in damage to the battery. Note that some diesel and large-displacement petrol engines require a starting current beyond the supported maximum of this appliance (75A) – if the battery is completely drained the maximum current of 75A may not be sufficient to start these engines.

The charger features an analysis program to protect the battery from damage (e.g. sulphation or rapid voltage drops), particularly during jump starting. The device will not switch on the jump starter with severely drained or heavily stressed batteries to protect the battery. During this process the battery will be charged with a low current and the “Charging” indicator will light up. The display continues to read “0”. In this event the jump start function cannot be used to protect the battery from damage. You should first charge the battery using the Normal or Fast Charge mode for some time before attempting to use the jump start function again.

- Plug the power cord (7) into the mains outlet.
- Connect the positive (red) clamp (5) to the positive (+) battery terminal.
- Connect the negative (black) clamp (4) to the negative (-) battery terminal.
- If the terminal clamps are connected correctly the charger will automatically select the correct battery type.
- Review the battery type indicator, and adjust if necessary using the BATTERY TYPE button (2).
- Now select the Start mode using the MODE button (3). The charger will analyze the battery's charge level and the display (6) will read '0'.
- Start the vehicle's ignition. The display will now show a 5 second countdown: 2 seconds priming/analysis followed by 3 second jump starting.
- During the countdown the charger will briefly deliver 75A to start the engine. The countdown is followed by a 180 second pause to protect the battery.

- After the 180 seconds pause the cycle will restart (2 second priming, 3 second starting, 180 second pause) and you may attempt to start the engine again.
- To disconnect the charger: first remove the negative (black) clamp (4) from the battery terminal, then remove the positive (red) clamp (5) from the battery terminal.

Battery reconditioning mode

Heavily drained 12V batteries will be reconditioned by the charger before the actual charging process is started. When the voltage of the battery is between 8.5 and 10.5V, the charger will automatically enter the reconditioning mode. During the reconditioning process the “Charging” indicator will blink and the battery charger will charge the battery with a 2A charging current for 2 seconds, then stop for 1 second. This cycle is repeated for 10 minutes. After the reconditioning process the charger will measure the battery voltage again.

- If the voltage is now above 10.5V, the 12V charging process will automatically start.
- If the voltage is still below 10.5V, the battery is deemed to be faulty. Charging will be stopped and the display will show “Err” to indicate an error has occurred.

4. MAINTENANCE



Always unplug the power cord from the mains outlet before working on the battery charger.

Replacing the fuse (Fig. B1, B2)

Take the following steps replace the charger fuse:

- Unplug the power cord from the mains outlet.
- Remove the fuse cover (8) by pressing in the side of the cover.
- Unscrew the fuse using a fitting spanner or socket.
- Replace the fuse

Cleaning

- Clean the metal and plastic parts of the machine using a dry cloth
- Do not use any abrasive cleaning products.
- Do not use any solvents such as gasoline, alcohol, ammonia, etc.

ENVIRONMENT



Faulty and/or discarded electrical or electronic apparatus have to be collected at the appropriate recycling locations.

Only for EC countries

Do not dispose of power tools into domestic waste. According to the European Guideline 2012/19/EC for Waste Electrical and Electronic Equipment and its implementation into national right, power tools that are no longer usable must be collected separately and disposed of in an environmentally friendly way.

WARRANTY

VONROC products are developed to the highest quality standards and are guaranteed free of defects in both materials and workmanship for the period lawfully stipulated starting from the date of original purchase. Should the product develop any failure during this period due to defective material and/or workmanship then contact VONROC directly.

The following circumstances are excluded from this guarantee:

- Repairs and or alterations have been made or attempted to the machine by unauthorized service centers;
- Normal wear and tear;
- The tool has been abused, misused or improperly maintained;
- Non-original spare parts have been used.

This constitutes the sole warranty made by company either expressed or implied. There are no other warranties expressed or implied which extend beyond the face hereof, herein, including the implied warranties of merchantability and fitness for a particular purpose. In no event shall VONROC be liable for any incidental or consequential damages. The dealers remedies shall be limited to repair or replacement of nonconforming units or parts.

The product and the user manual are subject to change. Specifications can be changed without further notice.

1. SICHERHEITSHINWEISE

Lesen Sie die beigelegten Sicherheitswarnungen, die zusätzlichen Sicherheitswarnungen und die Anweisungen. Die Nichteinhaltung der Sicherheitswarnungen und der Anweisungen kann in einem Stromschlag, Brand und/oder in schweren Verletzungen resultieren. Bewahren Sie die Sicherheitswarnungen und Anweisungen für künftige Referenzzwecke auf.

Die folgenden Symbole werden im Benutzerhandbuch oder auf dem Produkt verwendet:



Lesen Sie das Benutzerhandbuch.



Bedeutet, dass bei Nichtbeachtung der Anweisungen in dieser Anleitung Verletzungen, Tod oder Beschädigung des Werkzeugs die Folge sein können.



Bedeutet, dass die Gefahr eines Stromschlags besteht.



Bedeutet Explosionsgefahr.



Das Produkt nicht in ungeeigneten Behältern entsorgen.



In Übereinstimmung mit den geltenden Sicherheitsnormen und europäischen Richtlinien.

ALLGEMEINE SICHERHEITSHINWEISE FÜR ELEKTROWERKZEUGE



WARNUNG! Beachten Sie alle Sicherheitswarnungen und Anweisungen. Die Nichtbeachtung der Warnungen und Anweisungen kann in einem Stromschlag, Brand und/oder in schweren Verletzungen resultieren.

Bewahren Sie die Warnungen und Anweisungen für künftige Referenzzwecke auf.

Der Begriff „Elektrowerkzeug“ in den Warnhinweisen bezieht sich auf Ihr strombetriebenes (kabelgebundenes) Elektrowerkzeug oder akkubetriebenes (kabelloses) Elektrowerkzeug.

1) Sicherheit am Arbeitsplatz

- a) **Halten Sie den Arbeitsbereich sauber und gut beleuchtet.** Unübersichtliche oder dunkle Bereiche führen eher zu Unfällen.
- b) **Betreiben Sie Elektrowerkzeuge nicht in explosionsgefährdeten Bereichen, z. B. bei Vorhandensein von brennbaren Flüssigkeiten, Gasen oder Staub.** Elektrowerkzeuge erzeugen Funken, die den Staub oder die Dämpfe entzünden können.
- c) **Halten Sie Kinder und Umstehende fern, während Sie Elektrogeräte benutzen.** Ablenkungen können zum Verlust der Kontrolle führen.

2) Elektrische Sicherheit

- a) **Die Stecker von Elektrowerkzeugen müssen zur Steckdose passen. Den Stecker niemals modifizieren. Verwenden Sie bei geerdeten Elektrowerkzeugen keine Adapterstecker.** Nicht modifizierte Stecker und passende Steckdosen reduzieren das Stromschlagrisiko.
- b) **Vermeiden Sie Körperkontakt mit geerdeten Oberflächen, wie Rohren, Heizkörpern, Herden und Kühlschränken.** Es besteht ein erhöhtes Stromschlagrisiko, wenn Ihr Körper geerdet ist.
- c) **Setzen Sie Elektrowerkzeuge keinem Regen oder feuchten Bedingungen aus.** Wenn Wasser in ein Elektrowerkzeug eindringt, erhöht sich die Gefahr eines Stromschlags.
- d) **Missbrauchen Sie das Kabel nicht. Verwenden Sie das Kabel niemals zum Tragen, Ziehen oder Herausziehen des Steckers des Elektrowerkzeugs. Halten Sie das Kabel vor Wärme, Öl, spitzen Kanten oder sich bewegenden Teilen fern.** Beschädigte oder verwickelte Kabel erhöhen das Stromschlagrisiko.
- e) **Wenn Sie ein Elektrowerkzeug im Freien betreiben, verwenden Sie ein für den Außeneinsatz geeignetes Verlängerungskabel.** Die Verwendung eines für den Außeneinsatz geeigneten Kabels verringert das Risiko eines Stromschlags.
- f) **Wenn der Betrieb eines Elektrowerkzeugs in einer feuchten Umgebung unvermeidlich ist, verwenden Sie eine durch einen Fehlerstromschutzschalter geschützte Stromversorgung.** Die Verwendung eines Fehlerstromschutzschalters senkt das Stromschlagrisiko.

3) Sicherheit von Personen

- a) **Bleiben Sie beim Umgang mit einem Elektrowerkzeug aufmerksam, achten Sie auf das, was Sie tun, und benutzen Sie Ihren gesunden Menschenverstand. Benutzen Sie Elektrowerkzeuge nicht, wenn Sie müde sind oder unter dem Einfluss von Drogen, Alkohol oder Medikamenten stehen.** Ein Moment der Unachtsamkeit während des Betriebs eines Elektrowerkzeugs kann zu schwerwiegenden Verletzungen führen.
- b) **Tragen Sie persönliche Schutzausrüstung. Immer eine Schutzbrille tragen.** Schutzausrüstungen wie Staubmaske, rutschfeste Sicherheitsschuhe, Schutzhelm oder Gehörschutz, die unter entsprechenden Bedingungen verwendet werden, verringern die Zahl der Verletzungen.
- c) **Unbeabsichtigtes Starten verhindern. Vergewissern Sie sich, dass der Schalter ausgeschaltet ist, bevor Sie das Gerät an die Stromquelle und/oder den Akku anschließen, es in die Hand nehmen oder tragen.** Das Tragen von Elektrowerkzeugen mit dem Finger auf dem Schalter oder das Einschalten von Elektrowerkzeugen, bei denen der Schalter eingeschaltet ist, lädt zu Unfällen ein.
- d) **Entfernen Sie vor dem Einschalten des Elektrowerkzeugs alle Einstellschlüssel oder Schraubenschlüssel.** Ein Einstellschlüssel oder Schraubenschlüssel, der an einem rotierenden Teil des Elektrowerkzeugs verbleibt, kann zu Verletzungen führen.
- e) **Keine anormale Arbeitshaltung einnehmen. Achten Sie jederzeit auf festen Stand und Ihr Gleichgewicht.** Das ermöglicht eine bessere Kontrolle des Elektrowerkzeugs in unerwarteten Situationen.
- f) **Angemessene Kleidung tragen. Tragen Sie keine locker sitzende Kleidung oder Schmuck. Haare, Kleidung und Handschuhe von beweglichen Teilen fernhalten.** Locker sitzende Kleidung, Schmuck oder lange Haare können sich in beweglichen Teilen verfangen.
- g) **Wenn Anschlüsse für Vorrichtungen zum Absaugen und Sammeln von Staub vorhanden sind, stellen Sie sicher, dass diese angebracht und ordnungsgemäß verwendet werden.** Die Verwendung einer Staubabsaugvorrichtung kann staubbedingte Gefahren verringern.
- h) **Achten Sie darauf, nicht durch häufigen Gebrauch von Werkzeugen nachlässig zu werden und die Prinzipien zum sicheren Umgang mit**

den Werkzeugen zu ignorieren. Eine unachtsame Handlung kann innerhalb von Sekundenbruchteilen schwere Verletzungen verursachen.

4) Verwendung und Pflege von Elektrowerkzeugen

- a) **Wenden Sie keine übermäßige Kraft auf das Elektrowerkzeug an. Verwenden Sie das richtige Elektrowerkzeug für Ihre Anwendung.** Das richtige Elektrowerkzeug erledigt die Arbeit besser und sicherer mit der Geschwindigkeit, für die es konzipiert wurde.
- b) **Verwenden Sie das Elektrowerkzeug nicht, wenn es nicht am Schalter ein- und ausgeschaltet werden kann.** Jedes Elektrowerkzeug, das nicht mit dem Schalter gesteuert werden kann, stellt eine Gefahr dar und muss repariert werden.
- c) **Ziehen Sie den Stecker aus der Steckdose bzw. trennen Sie den Akku-Pack vom Elektrowerkzeug, bevor Sie irgendwelche Einstellungen vornehmen, Zubehörteile austauschen oder Elektrowerkzeuge aufbewahren.** Diese vorbeugenden Sicherheitsmaßnahmen verringern das Risiko einer unbeabsichtigten Inbetriebnahme des Elektrowerkzeugs.
- d) **Bewahren Sie ungenutzte Elektrowerkzeuge außerhalb der Reichweite von Kindern auf und erlauben Sie Personen, die mit dem Elektrowerkzeug oder dieser Anleitung nicht vertraut sind, nicht, das Elektrowerkzeug zu bedienen.** Elektrowerkzeuge stellen in den Händen von ungeschulten Benutzern eine Gefahr dar.
- e) **Pflegen Sie Elektrowerkzeuge. Prüfen Sie auf Fehlausrichtung oder Blockierung beweglicher Teile, Bruch von Teilen sowie auf alle anderen Bedingungen, die den Betrieb des Elektrowerkzeugs beeinträchtigen können. Bei einer Beschädigung lassen Sie das Elektrowerkzeug vor dem weiteren Gebrauch reparieren.** Viele Unfälle werden durch schlecht gepflegte Elektrowerkzeuge verursacht.
- f) **Halten Sie die Schneidwerkzeuge scharf und sauber.** Ordnungsgemäß gewartete Schneidwerkzeuge mit scharfen Schneidkanten verklemmen sich seltener und sind leichter zu kontrollieren.
- g) **Verwenden Sie das Elektrowerkzeug, das Zubehör und die Bits usw. gemäß dieser Anleitung und unter Berücksichtigung der Bedingungen und der vorgesehenen Arbeiten.** Die Verwen-

dung des Elektrowerkzeugs für andere als die vorgesehenen Tätigkeiten kann zu einer gefährlichen Situation führen.

- h) **Halten Sie Griffe und Greifflächen immer trocken, sauber und frei von Öl und Fett.** Rutschige Griffe und Greifflächen verhindern in unerwarteten Situationen den sicheren Umgang mit dem Werkzeug und die richtige Kontrolle darüber.
- #### 5) Verwendung und Pflege von Akkus
- a) **Laden Sie den Akku nur mit dem vom Hersteller angegebenen Ladegerät auf.** Ein Ladegerät, das für einen Akkutyp geeignet ist, kann bei Verwendung mit einem anderen Akkutyp eine Brandgefahr darstellen.
 - b) **Verwenden Sie Elektrowerkzeuge nur mit den speziell dafür vorgesehenen Akkus.** Bei Verwendung anderer Akkus besteht Verletzungs- und Brandgefahr.
 - c) **Wenn der Akku nicht in Gebrauch ist, halten Sie ihn von anderen Metallgegenständen wie Büroklammern, Münzen, Schlüsseln, Nägeln, Schrauben oder anderen kleinen Metallobjekten fern, die einen Kontakt zwischen den Anschlüssen herstellen können.** Das Kurzschließen von Batterieanschlüssen kann zu Verbrennungen oder einem Brand führen.
 - d) **Unter missbräuchlichen Bedingungen kann Flüssigkeit aus dem Akku austreten; vermeiden Sie den Kontakt damit. Bei versehentlichem Kontakt gut mit Wasser abspülen. Wenn die Flüssigkeit in die Augen gelangt, suchen Sie zusätzlich einen Arzt auf.** Aus dem Akku austretende Flüssigkeit kann Reizungen oder Verbrennungen verursachen.
 - e) **Verwenden Sie keinesfalls Akkus und Werkzeuge, die beschädigt oder verändert wurden.** Beschädigte oder veränderte Akkus können ein unvorhersehbares Verhalten zeigen, das zu Feuer, Explosionen oder Verletzungsgefahren führt.
 - f) **Setzen Sie Akkus oder Werkzeuge keinem Feuer oder übermäßigen Temperaturen aus.** Feuer oder Temperaturen über 130 °C können zu Explosionen führen. HINWEIS: Die Temperaturangabe „130 °C“ kann durch die Temperaturangabe „265 °F“ ersetzt werden.
 - g) **Beachten Sie alle Hinweise zum Aufladen und laden Sie Akkus oder Werkzeuge nicht außerhalb der in der Anleitung angegebenen Tempe-**

raturbereiche auf. Unsachgemäßes Aufladen oder Aufladen bei Temperaturen außerhalb des angegebenen Bereichs kann den Akku schädigen und die Brandgefahr erhöhen.

6) Wartung

- a) **Lassen Sie Ihr Elektrowerkzeug von einer qualifizierten Fachwerkstatt warten, die nur identische Ersatzteile verwendet.** So wird sichergestellt, dass die Sicherheit des Elektrowerkzeugs gewahrt bleibt.
- b) **Beschädigte Akkus dürfen keinesfalls gewartet werden.** Die Wartung von Akkus darf nur vom Hersteller oder von Vertragswerkstätten durchgeführt werden.

ZUSÄTZLICHE SICHERHEITSANWEISUNGEN FÜR BATTERIELADEGERÄTE

Bei der Konstruktion des Batterieladegeräts wurden die Anforderungen für einen sicheren Gebrauch berücksichtigt. Jede Änderung, Anpassung, Umrüstung oder unsachgemäße Verwendung kann die Sicherheit des Geräts beeinträchtigen. Außerdem wird durch solche Maßnahmen die Garantie ungültig.



Von Kindern fernhalten!

- Vermeiden Sie, dass durch unsachgemäße Handhabung Lebensgefahr und Verletzungsgefahr entsteht!
- Benutzen Sie das Gerät nicht, wenn Kabel, Stromkabel oder Stecker beschädigt sind. Ein beschädigtes Stromkabel stellt eine lebensgefährliche Bedrohung durch Stromschlag dar.
- Lassen Sie ein beschädigtes Stromkabel ausschließlich durch autorisierte und geschulte Fachkräfte reparieren! Falls eine Reparatur erforderlich ist, wenden Sie sich bitte an den Kundendienst für Ihr Land.
- **Stromschlaggefahr!** Wenn eine Batterie fest in einem Fahrzeug montiert ist, stellen Sie sicher, dass das Fahrzeug ausgeschaltet ist! Schalten Sie die Zündung aus, bringen Sie das Fahrzeug in die Parkposition und ziehen Sie die Handbremse an (z.B. bei einem Auto) oder bringen Sie ein Befestigungsseil an (z.B. bei einem Elektroboot)!
- **Stromschlaggefahr!** Trennen Sie vor dem Anschließen oder Trennen der Anschlüsse an/von der Batterie das Kraftfahrzeugladegerät vom Stromnetz.

- Schließen Sie zuerst die Klemme an, die nicht mit der Karosserie verbunden ist.
- Schließen Sie die andere Klemme an der Karosserie an, entfernt von der Batterie und der Benzinleitung. Dann verbinden Sie nur das Kraftfahrzeugladegerät mit der Stromversorgung.
- Trennen Sie das Kraftfahrzeugladegerät nach dem Aufladen von der Stromversorgung.



Stromschlaggefahr! Berühren Sie die Pol-Anschlusskabel („-“ und „+“) nur im isolierten Bereich!

- **Stromschlaggefahr!** Die Verbindung zur Batterie und zur Netzstromsteckdose muss vollständig vor Feuchtigkeit geschützt sein.
- **Stromschlaggefahr!** Zusammenbau, Wartung und Pflege des Kraftfahrzeugladegeräts dürfen nur erfolgen, wenn es vom Stromnetz getrennt ist!
- **Stromschlaggefahr!** Sobald der Lade- und Entladevorgang abgeschlossen ist, trennen Sie bei Batterien, die fest in Fahrzeugen installiert sind, zuerst das Minuspol-Anschlusskabel (schwarz) des Ladegeräts vom Minuspol der Batterie.
- Lassen Sie keinesfalls Kinder unbeaufsichtigt mit dem Kraftfahrzeugladegerät spielen!
- Kinder können die potentiellen Gefahren im Umgang mit elektrischen Geräten noch nicht beurteilen. Kinder sind immer zu beaufsichtigen, um zu gewährleisten, dass sie nicht mit dem Gerät spielen.



Explosionsgefahr! Schützen Sie sich vor einer hochexplosiven Wasserstoff-Sauerstoff-Reaktion! Die Batterie kann beim Aufladen und bei der Erhaltungsladung gasförmigem Wasserstoff emittieren. Wasserstoff-Sauerstoff ist eine explosive Mischung aus gasförmigem Wasserstoff und Sauerstoff. Kontakt mit offenem Feuer (Flammen, Glut und Funken) führt zu der sogenannten Knallgasreaktion! Führen Sie das Aufladen und die Erhaltungsladung in einem gut belüfteten Raum durch, der vor Witterungseinflüssen geschützt ist. Stellen Sie sicher, dass während des Ladens und der Erhaltungsladung kein offenes Feuer vorhanden ist oder entsteht!

- Explosionsgefahr und Brandgefahr! Stellen Sie sicher, dass während der Verwendung des Ladegeräts keine Möglichkeit der Entzündung explosiver oder brennbarer Materialien wie Benzin oder Lösungsmittel be- oder entsteht!
- Explosive Gase! Vermeiden Sie Flammen und Funken!
- Sorgen Sie während des Ladevorgangs für ausreichende Lüftung.
- Platzieren Sie die Batterie während des Ladevorgangs auf einer gut belüfteten Oberfläche. Nichtbeachtung kann das Gerät beschädigen.



Explosionsgefahr! Achten Sie darauf, dass das Pluspol-Anschlusskabel nicht in Kontakt mit Kraftstoffleitungen kommt.

- Gefahr von Verätzungen! Schützen Sie Ihre Augen und die Haut vor Verätzungen durch Säuren, wenn sie in Kontakt mit der Batterie kommen!
- Verwenden Sie säurefeste Schutzbrille, Kleidung und Handschuhe! Wenn Augen oder Haut in Kontakt mit Schwefelsäure gekommen ist, spülen Sie den betroffenen Körperbereich mit viel klarem Wasser ab und suchen Sie sofort einen Arzt auf!
- Vermeiden Sie elektrische Kurzschlüsse, wenn Sie das Kraftfahrzeugladegerät an die Batterie anschließen. Schließen Sie nur das Minuspol-Anschlusskabel an den Minuspol der Batterie oder die Fahrzeugkarosserie an! Schließen Sie nur das Pluspol-Anschlusskabel an den Pluspol der Batterie an!
- Überprüfen Sie vor dem Anschließen an das Stromnetz, ob die Netzspannung über die erforderlichen 230 V~ 50 Hz, einen Nullleiter, eine 16 A-Sicherung und einen FI-Schutzschalter (Erdschlusschalter) verfügt! Nichtbeachtung kann das Gerät beschädigen.
- Platzieren Sie das Ladegerät nicht der Nähe von Feuer oder Wärmequellen und setzen Sie es nicht längere Zeit Temperaturen über 50 °C aus! Die Ausgangsleistung des Kraftfahrzeugladegeräts sinkt bei höheren Temperaturen automatisch ab.
- Achten Sie darauf, dass während der Montage das Ladegeräts keine Kraftstoffleitungen, Elektrokabel, Hydraulik- oder Wasserleitungen durch die Schrauben beschädigt werden! Sonst besteht Lebens- oder Verletzungsgefahr!
- Verwenden Sie das Kraftfahrzeugladegerät nur mit den mitgelieferten Originalteilen!
- Keinesfalls das Kraftfahrzeugladegerät mit Gegenständen abdecken! Nichtbeachtung kann das Gerät beschädigen.
- Schützen Sie die Oberflächen der elektrischen Batteriekontakte vor Kurzschlüssen!
- Verwenden Sie das Kraftfahrzeugladegerät nur zum Aufladen und zur Ladeerhaltung von unbeschädigten 6 V-/12 V-Blei-Säure-Batterien (mit Elektrolytlösung oder Gel)! Sonst könnte ein Sachschaden eintreten.
- Verwenden Sie das Kraftfahrzeugladegerät nicht zum Aufladen und zur Ladeerhaltung von nicht-aufladbaren Batterien. Sonst könnte ein Sachschaden eintreten.
- Verwenden Sie das Kraftfahrzeugladegerät nicht zum Aufladen und zur Ladeerhaltung einer eingefrorenen Batterie! Sonst könnte ein Sachschaden eintreten.
- Bevor Sie das Ladegerät anschließen, informieren Sie sich in der Originalbetriebsanleitung der Batterie über die Batteriewartung! Andernfalls besteht die Gefahr von Verletzungen und/oder von Schäden am Gerät.
- Vor dem Anschließen des Ladegeräts an eine Batterie, die permanent mit einem Fahrzeug verbunden ist, informieren Sie sich in der Bedienungsanleitung des Fahrzeugs über die Aufrechterhaltung der elektrischen Sicherheit und die Wartung! Andernfalls besteht die Gefahr von Verletzungen und/oder von Sachschäden.
- Aus Umweltschutzgründen sollten Sie das Kraftfahrzeugladegerät auch vom Netz trennen, wenn es nicht in Gebrauch ist! Denken Sie daran, dass es auch im Standby-Betrieb Strom verbraucht.
- Seien Sie bei der Arbeit immer aufmerksam und vorsichtig. Immer mit Sorgfalt vorgehen und das Kraftfahrzeugladegerät nicht in Betrieb nehmen, wenn Sie unkonzentriert sind oder sich unwohl fühlen.

2. MASCHINENDATEN

Verwendungszweck

Dieses Gerät ist dazu vorgesehen, verschiedene SLA-Batterien (versiegelte Blei-Säure-Batterien) aufzuladen, in erster Linie für Autos, Motorräder und einige andere Fahrzeuge. Unterstützte Batterietypen sind normale, Tiefzyklus-, Gel- oder AGM-Blei-Säure-Batterien. Durch die spezielle Konstruktion des Geräts können Batterien auf fast 100 % ihrer Kapazität geladen werden.

TECHNISCHE DATEN

Modellnr.	BC501AC
Netzspannung	230V~
Netzfrequenz	50 Hz
Eingangsleistung	350 W
Rückstrom (ohne Wechselstromeingang)	<5mA
Nennausgangsspannung	6V / 12V
Ladestrom	2A / 6A / 15A +/-10 %
Unterstützte Batterietypen	Normal / Tiefzyklus / Gel / AGM
Unterstützte Batteriekapazität	8 bis 210 Ah
Eindringenschutz	IP20
Starthilfestrom	max. 75A
Starthilfeintervall	3s EIN / 180s AUS

BESCHREIBUNG

Die Zahlen im Text beziehen sich auf die Abbildungen auf Seite 2.

1. DISPLAY-Taste
2. BATTERIETYP-Taste
3. MODE-Taste
4. Minuspol-Klemme (-)
5. Pluspol-Klemme (+)
6. Digitalanzeige
7. Stromkabel
8. Sicherung mit Abdeckung

3. BETRIEB



Ziehen Sie den Stecker aus der Steckdose, bevor Sie Arbeiten am Batterieladegerät durchführen. Stromschlagrisiko! Gefahr von Sachschäden! Verletzungsgefahr!

Anschließen

- Vor dem Aufladen und der Erhaltungsladung einer Batterie, die permanent mit einem Fahrzeug verbunden ist, klemmen Sie zuerst den Minuspol (-) der Batterie vom Fahrzeug ab.
- Klemmen Sie dann den Pluspol (+) der Batterie vom Fahrzeug ab.
- Klemmen Sie erst dann die Pluspolklemme (rot) (5) des Batterieladegeräts an den Pluspol (+) der Batterie an.
- Klemmen Sie zuletzt die Minuspolklemme (schwarz) (4) des Batterieladegeräts an den Minuspol (-) der Batterie an.

Hinweis: Wenn die Anschlussklemmen richtig angebracht sind, zeigt das Display (6) die Spannung und der Hinweis „Connected“ („Verbunden“) leuchtet auf.

Wenn die Pole versehentlich vertauscht werden, zeigt das Display (6) „0.0“ an und die Anzeige „+/- Error“ („+/- Fehler“) leuchtet auf, um einen Polaritätsfehler zu signalisieren.

Trennen

- Trennen Sie zuerst das Batterieladegerät vom Stromnetz.
- Entfernen Sie die Minuspolklemme (schwarz) (4) vom Batteriepol.
- Entfernen Sie die Pluspolklemme (rot) (5) vom Batteriepol.
- Schließen Sie den Pluspol der Batterie wieder an den Pluspol-Anschluss des Fahrzeugs an.
- Schließen Sie den Minuspol der Batterie wieder an den Minuspol-Anschluss des Fahrzeugs an.

Auswahl des Lademodus

Sie können eine Vielzahl von Batterien bei unterschiedlichen Umgebungstemperaturen und mit den unterschiedlichen Lademodi aufladen. Der sichere Ladevorgang schützt vor Fehlanschluss und Kurzschlüssen. Die integrierte Elektronik schaltet das Batterieladegerät nicht unmittelbar nach dem Anschließen ein, sondern erst, nachdem ein Lademodus gewählt wurde.

- Falls die Anzeige „+/- Error“ („+/- Fehler“) leuchtet, überprüfen Sie, ob die Polklemmen (4 & 5) richtig an die Batterie angeschlossen sind und ob am Ladegerät der richtige Batterietyp ausgewählt wurde.
- Fast charge: Schnellaufladung des Akkus. Empfohlene Einstellung für niedrige Umgebungstemperaturen.
- Normal charge: Normaler Ladevorgang.
- Start: Liefert kurzzeitig einen hohen Strom, um einem Fahrzeug mit einer schwachen oder entladenen Batterie Starthilfe zu geben.

Taste DISPLAY (1)

Drücken Sie diese Taste, um zwischen den verschiedenen Anzeigemodi zu wechseln. Der gewählte Anzeigemodus wird durch die Leuchten neben der jeweiligen Taste angezeigt. Folgende Modi sind verfügbar:

- Battery % (Batterie %): Anzeige des aktuellen Ladezustands der angeschlossenen Batterie, von 0 % (keine Ladung) bis 100 % (volle Ladung)
- Voltage (Spannung): Anzeige der Spannung der angeschlossenen Batterie
- Alternator % (Lichtmaschine %): Anzeige der Ausgangsleistung des Ladegeräts, die von 0 % (ausgeschaltet) bis 100 % (volle Leistung) reicht

Taste BATTERY TYPE (2)

Drücken Sie diese Taste, um zwischen den verschiedenen Batterietypen zu wechseln.



Achten Sie vor dem Starten des Ladevorgangs darauf, den richtigen Batterietyp auszuwählen. Der aktuell gewählte Batterietyp wird durch die Leuchten neben der Taste BATTERY TYPE (2) angezeigt.

Folgende Batterietypen werden unterstützt:

- 12 V Normal
- 12 V Tiefzyklus
- 12 V Gel / AGM
- 6 V Normal

Hinweis: Nach dem Anschließen des Ladegeräts ermittelt es automatisch die Batteriespannung. Wenn das Ladegerät eine 12-V-Batterie fälschlicherweise als 6-V-Batterie erkennt, bedeutet dies, dass die Batterie defekt und/oder zu stark entladen ist. Defekte Batterien sollten ersetzt werden. Versuchen Sie nicht, eine defekte Batterie aufzuladen.

Taste MODE (3)

Drücken Sie diese Taste, um zwischen verschiedenen Betriebsmodi zu wechseln. Folgende Modi können ausgewählt werden:

Verwendung des Starthilfemodus

Hinweis: Der Starthilfemodus kann nur durch Herausziehen des Stromkabels (7) beendet werden.



WARNUNG! Nehmen Sie die Anschlüsse immer in der richtigen Reihenfolge vor, wie sie in dieser Bedienungsanleitung beschrieben werden. Die Elektronik des Fahrzeugs kann sonst beschädigt werden. Wenn Sie andere Spezifikationen verwenden, geschieht dies auf Ihre eigene Gefahr und Verantwortung. Der Starthilfemodus ist nicht für Batterien mit einer Kapazität unter 45 Ah geeignet. Die Verwendung dieses Modus bei einer Batterie mit weniger als 45 Ah kann zu einer Beschädigung der Batterie führen. Beachten Sie, dass einige Diesel- und Benzinmotoren mit großem Hubraum einen Startstrom benötigen, der über den von diesem Gerät unterstützten Höchstwert (75 A) hinausgeht. Wenn die Batterie vollständig entladen ist, reicht der Höchststrom von 75 A daher möglicherweise nicht aus, um solche Motoren zu starten.

Das Ladegerät verfügt über ein Analyseprogramm, um die Batterie vor Schäden zu schützen (z.B. Sulfatierung oder schnelle Spannungsabfälle), vor allem während der Starthilfe. Zum Schutz der Batterie aktiviert das Gerät die Starthilfe nicht, wenn die Batterie stark entladen oder stark beansprucht ist. Während dieses Vorgangs wird die Batterie mit einem geringen Strom geladen und die Anzeige „Charging“ („Laden“) leuchtet auf. Das Display zeigt „0“ an. Um die Batterie vor Schäden zu bewahren, kann die Starthilfefunktion in diesem Fall nicht genutzt werden. Sie sollten die Batterie zunächst einige Zeit im Normal- oder Schnelllademodus laden, bevor Sie die Starthilfefunktion erneut verwenden.

- Stecken Sie das Stromkabel (7) in die Steckdose.
- Schließen Sie die Pluspolklemme (rot) (5) an den Pluspol (+) der Batterie an.

- Schließen Sie die Minuspolklemme (schwarz) (4) an den Minuspol (-) der Batterie an.
- Wenn die Klemmen richtig verbunden sind, wählt das Ladegerät automatisch den richtigen Batterietyp.
- Überprüfen Sie die Anzeige des Batterietyps und stellen Sie ihn gegebenenfalls mit der Taste BATTERY TYPE (2) ein.
- Wählen Sie nun mit der Taste MODE (3) den Modus „Start“. Das Ladegerät analysiert den Ladezustand der Batterie und auf dem Display (6) wird „0“ angezeigt.
- Starten Sie die Zündung des Fahrzeugs. Auf dem Display wird nun ein 5 Sekunden langer Countdown angezeigt: 2 Sekunden Vorbereitung/Analyse, gefolgt von 3 Sekunden Starthilfe.
- Während des Countdowns liefert das Ladegerät kurzzeitig 75 A, um den Motor zu starten. Nach dem Countdown folgt eine 180 Sekunden lange Pause, um die Batterie zu schützen.
- Nach der 180 Sekunden langen Pause beginnt der Zyklus erneut (2 Sekunden Anlassen, 3 Sekunden Starten, 180 Sekunden Pause), dann können Sie versuchen, den Motor erneut zu starten.
- Um das Ladegerät abzuklemmen, entfernen Sie zuerst die Minuspolklemme (schwarz) (4) vom Batteriepol und dann die Pluspolklemme (rot) (5) vom Batteriepol.

Batterierekonditionierungsmodus

Stark entladene 12-V-Batterien werden vom Ladegerät rekonditioniert, bevor der eigentliche Ladevorgang gestartet wird. Wenn die Spannung der Batterie zwischen 8,5 und 10,5 V liegt, schaltet das Ladegerät automatisch in den Rekonditionierungsmodus. Während des Rekonditionierungsvorgangs blinkt die Anzeige „Charging“ („Laden“) und das Ladegerät lädt die Batterie 2 Sekunden lang mit einem Ladestrom von 2 A und hält dann 1 Sekunde lang an. Dieser Zyklus wird 10 Minuten lang wiederholt. Nach dem Rekonditionierungsvorgang misst das Ladegerät die Batteriespannung erneut.

- Wenn die Spannung nun über 10,5 V liegt, beginnt automatisch der 12-V-Ladevorgang.
- Wenn die Spannung immer noch unter 10,5 V liegt, gilt die Batterie als defekt. Der Ladevorgang wird gestoppt und auf dem Display wird durch „Err“ angezeigt, dass ein Fehler aufgetreten ist.

4. WARTUNG



Ziehen Sie immer das Stromkabel aus der Steckdose, bevor Sie am Batterieladegerät arbeiten.

Auswechseln der Sicherung (Abb. B1, B2)

Gehen Sie zum Auswechseln der Ladegerätsicherung wie folgt vor:

- Ziehen Sie das Stromkabel aus der Steckdose.
- Entfernen Sie die Sicherungsabdeckung (8), indem Sie seitlich auf die Abdeckung drücken.
- Schrauben Sie die Sicherung mit einem passenden Schrauben- oder Steckschlüssel heraus.
- Setzen Sie die neue Sicherung ein

Reinigung

- Reinigen Sie die Metall- und Kunststoffteile des Geräts mit einem trockenen Tuch.
- Verwenden Sie keine scheuernden Reinigungsmittel.
- Verwenden Sie keine Lösungsmittel wie Benzin, Alkohol, Ammoniak usw.

UMWELT



Fehlerhafte und/oder ausgesonderte elektrische oder elektronische Geräte müssen zu den entsprechenden Recyclingorten gebracht werden.

Nur für EU-Länder

Entsorgen Sie Elektrowerkzeuge nicht im Hausmüll. Nach der europäischen Richtlinie 2012/19/EG über Elektro- und Elektronik-Altgeräte und ihrer Umsetzung in nationales Recht müssen Elektrowerkzeuge, die nicht mehr verwendet werden sollen, getrennt gesammelt und auf umweltgerechte Weise entsorgt werden.

GARANTIE

VONROC-Produkte werden nach den höchsten Qualitätsstandards entwickelt und sind für den gesetzlich festgelegten Zeitraum ab dem Datum des ursprünglichen Kaufs garantiert frei von Material- und Verarbeitungsfehlern. Sollte das Produkt während dieses Zeitraums aufgrund von Material- und/oder Verarbeitungsfehlern ausfallen, wenden Sie sich bitte direkt an VONROC.

Folgende Umstände sind aus der Garantie ausgeschlossen:

- An der Maschine wurden von nicht autorisierten Servicestellen Reparaturen und/oder Änderungen vorgenommen oder versucht;
- Normaler Verschleiß;
- Das Gerät wurde missbräuchlich oder falsch verwendet oder unsachgemäß gewartet;
- Es wurden keine Originalersatzteile verwendet.

Dies ist die einzige ausdrückliche oder stillschweigende Garantie, die das Unternehmen übernimmt. Es gibt keine weiteren ausdrücklichen oder stillschweigenden Garantien, die über die hierin enthaltenen Angaben hinausgehen, einschließlich der stillschweigenden Garantien der Gebrauchstauglichkeit und Eignung für einen bestimmten Zweck. VONROC haftet in keinem Fall für zufällige Schäden oder Folgeschäden. Die Rechtsmittel des Händlers beschränken sich auf die Reparatur oder den Austausch der nicht konformen Geräte oder Teile.

Das Produkt und die Bedienungsanleitung können Änderungen unterliegen. Technische Daten können ohne vorherige Ankündigung geändert werden.

1. VEILIGHEIDSINSTRUCTIES

Lees de bijgesloten veiligheidswaarschuwingen, de aanvullende veiligheidswaarschuwingen en de instructies. Geeft u geen gevolg aan de veiligheidswaarschuwingen en de instructies dan kan dat een elektrische schok, brand en/of ernstig letsel tot gevolg hebben. Bewaar de veiligheidswaarschuwingen en de instructies voor toekomstige verwijzing.

De volgende symbolen worden gebruikt in de gebruiksaanwijzing of op het product:



Lees de gebruiksaanwijzing.



Duidt op risico op persoonlijk letsel, gevaar van een ongeluk met dodelijke afloop of beschadiging van het gereedschap als de instructies in deze handleiding niet worden opgevolgd.



Verwijst naar een risico op een elektrische schok.



Geeft een risico op explosie aan.



Gooi het product niet weg in containers die daarvoor niet geschikt zijn.



In overeenstemming met de van toepassing zijnde veiligheidsnormen en Europese richtlijnen.

ALGEMENE VEILIGHEIDSWAARSCHUWINGEN VOOR ELEKTRISCH GEREEDSCHAP



WAARSCHUWING! Lees alle veiligheidswaarschuwingen en alle instructies Geeft u geen gevolg aan de waarschuwingen en de instructies, dan kan dat een elektrische schok, brand en/of ernstig letsel tot gevolg hebben.

Bewaar alle waarschuwingen en instructies zodat u ze later ook nog kunt raadplegen.

De term 'elektrisch gereedschap' in de waarschuwingen verwijst naar het elektrische gereedschap dat via uw netvoeding wordt gebruikt, of naar (draadloos) elektrisch gereedschap dat door een accu wordt aangedreven.

1) Veiligheid in de werkruimte

- a) **Houd het werkgebied goed schoon en goed verlicht.** Op rommelige of donkere werkplekken zullen gemakkelijk ongelukken gebeuren.
- b) **Gebruik geen elektrische gereedschappen in explosieve situaties, zoals in de nabijheid van ontvlambare vloeistoffen, gasen of stof.** Elektrische gereedschappen maken vonken die het stof of de gasen kunnen ontsteken.
- c) **Houd kinderen en omstanders uit de buurt terwijl u het elektrische gereedschap gebruikt.** Door afleidingen kunt u de controle verliezen.

2) Elektrische veiligheid

- a) **Stekkers van elektrisch gereedschap moeten bij de stopcontacten passen. Breng nooit op welke manier dan ook veranderingen in de stekker aan. Gebruik nooit adapterstekkers met geaard elektrisch gereedschap.** Originele stekkers en passende stopcontacten verminderen het risico op een elektrische schok.
- b) **Voorkom lichamelijk contact met geaarde oppervlakken, zoals leidingen, radiatoren, fornuizen en koelkasten.** Er is sprake van een verhoogd risico op een elektrische schok als uw lichaam geaard is.
- c) **Stel elektrische gereedschappen niet bloot aan regen of natte omstandigheden.** Als water in het elektrisch gereedschap binnendringt, verhoogt dit de kans op een elektrische schok.
- d) **Het snoer niet oneigenlijk gebruiken. Gebruik het snoer nooit om het elektrische gereedschap te dragen of mee te slepen, of om de stekker uit het stopcontact te trekken. Houd het snoer weg bij hete voorwerpen, olie, scherpe randen en/of bewegende onderdelen.** Beschadigde of in de war geraakte snoeren vergroten het risico van een elektrische schok.
- e) **Als u elektrisch gereedschap buitenshuis gebruikt, dient u altijd een verlengsnoer te gebruiken dat geschikt is voor buitenshuis gebruik.** Het gebruik van een snoer dat geschikt is voor buitenshuis gebruik, zal het risico op een elektrische schok verminderen.
- f) **Als het gebruik van elektrisch gereedschap in een vochtige ruimte niet kan worden voorkomen, gebruik dan een altijd een aardlekschakelaar.** Het gebruik van een aardlekschakelaar zal het risico op een elektrische schok verminderen.

3) Persoonlijke veiligheid

- a) **Let altijd op en kijk goed uit wat u doet en gebruik uw verstand tijdens het werken met elektrisch gereedschap. Werk niet met het product als u moe bent of onder invloed van alcohol of drugs.** Een ogenblik van onoplettendheid tijdens het werken met elektrische gereedschap kan ernstig persoonlijk letsel tot gevolg hebben.
- b) **Gebruik persoonlijke beschermingsmiddelen. Draag altijd oogbescherming.** Beschermingsmiddelen zoals een stofmasker, antislip-veiligheidsschoenen, helm, of gehoorbescherming die voor de juiste omstandigheden worden gebruikt, zullen het risico op persoonlijk letsel verminderen.
- c) **Voorkom het onbedoeld starten. Controleer of de schakelaar in de stand Uit staat, voordat het gereedschap op de voeding of accu wordt aangesloten, wordt opgepakt of gedragen.** Het dragen van elektrische gereedschap met de vinger op de schakelaar, of het inschakelen van elektrisch gereedschap met de schakelaar in de stand Aan, vraagt om ongelukken.
- d) **Verwijder stelsleutels of steeksleutels voordat u het elektrisch gereedschap inschakelt.** Een moersleutel of andere sleutel die op een draaiend deel van het elektrisch gereedschap blijft zitten, kan resulteren in persoonlijk letsel.
- e) **Reik niet buiten uw macht. Blijf altijd stevig en in evenwicht staan.** Hierdoor hebt u in onverwachte situaties een betere controle over het elektrische gereedschap.
- f) **Draag geschikte kleding. Draag geen losse kleding of sieraden. Houd uw haar, kleding en handschoenen weg bij bewegende onderdelen.** Loszittende kleding, sieraden of lang haar kunnen door bewegende delen worden gegrepen.
- g) **Als het apparaat wordt geleverd met een aansluiting voor het afzuigen en verzamelen van stof, zorg er dan voor dat deze correct worden aangesloten en gebruikt.** Het gebruik van het afzuigen en verzamelen van stof, kan de aan stof gerelateerde gevaren verminderen.
- h) **Denk niet dat u wel weet hoe het allemaal werkt, omdat u het gereedschap vaak gebruikt en dat u de veiligheidsbeginselen voor het gebruik van het gereedschap wel kunt negeren.** Een onbezonnen actie kan in een fractie van een seconde ernstig letsel tot gevolg hebben.

- 4) Gebruik en onderhoud van elektrisch gereedschap**
- a) **Forceer het elektrisch gereedschap niet. Gebruik het juiste elektrisch gereedschap voor uw werkzaamheden.** Het juiste elektrisch gereedschap klaart de klus beter en veiliger als deze hiervoor is ontworpen.
 - b) **Gebruik het elektrisch gereedschap niet als de schakelaar het apparaat niet in- en uitschakelt.** Elk elektrisch gereedschap dat niet met de schakelaar kan worden bediend is gevaarlijk en moet worden gerepareerd.
 - c) **Neem de stekker van het elektrische gereedschap uit het stopcontact en/of verwijder de accu voordat enige aanpassingen worden uitgevoerd, accessoires worden vervangen of elektrisch gereedschap wordt opgeborgen.** Dergelijke preventieve veiligheidsmaatregelen verminderen het risico op het onbedoeld starten van het elektrische gereedschap.
 - d) **Berg ongebruikt elektrisch gereedschap buiten bereik van kinderen op en sta niet toe dat mensen die onbekend zijn met het elektrische gereedschap of deze instructies, met het elektrische gereedschap werken.** Elektrische gereedschap kan erg gevaarlijk zijn in de handen van ongetrainde gebruikers.
 - e) **Onderhoud van elektrisch gereedschap. Controleer op scheve of klemmende bewegende onderdelen, kapotte onderdelen en enige andere omstandigheden die de werking van het elektrische gereedschap kunnen beïnvloeden. Als het elektrisch gereedschap een beschadiging of storing heeft, dient u het eerst te laten repareren.** Veel ongelukken worden veroorzaakt door slecht onderhouden elektrisch gereedschap.
 - f) **Zorg ervoor dat snij- of zaaggereedschap scherp en schoon blijft.** Op de juiste manier onderhouden snij- of zaaggereedschap met scherpe snijranden hebben minder de neiging om beklemd te raken en zijn gemakkelijker te sturen.
 - g) **Gebruik het elektrische gereedschap, de accessoires, bitjes, enz. volgens deze instructies, rekening houdend met de werkomstandigheden en de uit te voeren werkzaamheden.** Gebruik van het elektrisch gereedschap voor andere werkzaamheden dan het bedoelde gebruik, kan een gevaarlijke situatie tot gevolg hebben.
 - h) **Houd handgrepen en greepoppervlakken droog, schoon en vrij van olie en vet.** Gladde handgrepen en greepoppervlakken maken veilig werken en controle over het gereedschap in onverwachte situaties onmogelijk.
- 5) Gebruik en onderhoud van de accu**
- a) **Laad de accu uitsluitend op met de door de fabrikant opgegeven lader.** Een lader die geschikt is voor het ene type accu, kan een risico op brand veroorzaken wanneer de lader voor een ander type accu wordt gebruikt.
 - b) **Gebruik elektrisch gereedschap alleen met de daarvoor specifiek aangewezen accu's.** Het gebruik van andere accu's kan een risico op letsel of brand tot gevolg hebben.
 - c) **Houd de accu, wanneer deze niet in gebruik is, weg bij metalen voorwerpen zoals paperclips, munten, sleutels, spijkers, schroeven, of andere kleine metalen voorwerpen die een aansluiting tot stand kunnen brengen tussen de ene pool van de accu en de andere.** Kortsluiting tussen polen van de accu kan brandwonden of brand tot gevolg hebben.
 - d) **Wanneer de accu ruw wordt behandeld, kan vloeistof uit de accu komen; vermijd contact hiermee. Als dat per ongeluk toch gebeurt, spoel het aangedane gebied dan met water. Als de vloeistof in contact komt met de ogen, roep dan ook medische hulp in.** Vloeistof afkomstig uit de accu kan irritatie of brandwonden veroorzaken.
 - e) **Gebruik geen accu of gereedschap dat is beschadigd of werd gewijzigd.** Beschadigde of gemodificeerde accu's kunnen onvoorspelbaar gedrag vertonen, wat brand, explosie of een risico van letsel met zich meebrengt.
 - f) **Stel een accu of gereedschap niet bloot aan open vuur of een uitzonderlijk hoge temperatuur.** Blootstelling aan vuur of een temperatuur hoger dan 130 °C, kan een explosie veroorzaken. NB De temperatuur van "130 °C" kan worden vervangen door de temperatuur van "265 °F".
 - g) **Houd u aan alle instructies voor het laden en laad de accu of het gereedschap niet op buiten het temperatuurbereik dat in de instructies wordt aangeduid.** Op een onjuiste wijze laden of laden bij temperaturen buiten het aangeduide bereik kan de accu beschadigen en het risico van brand doen toenemen.

6) Onderhoud

- a) **Laat uw elektrisch gereedschap onderhouden door een gekwalificeerde reparateur die uitsluitend identieke vervangende onderdelen gebruikt.** Dit waarborgt dat de veiligheid van het elektrisch gereedschap behouden blijft.
- b) **Voer nooit onderhoudswerkzaamheden uit aan beschadigde accu's.** Alleen de fabrikant of geautoriseerde service-providers mogen onderhoudswerkzaamheden aan accu's uitvoeren.

- Ontkoppel de autolader van de stroomtoevoer als u klaar bent met het laden.



Gevaar voor elektrische schok! Raak de kabels ("-" en "+") alleen aan op het geïsoleerde stuk!

ADDITIONELE VEILIGHEIDSLINSTRUCTIES VOOR ACCULADERS

In het ontwerp van de acculader werd rekening gehouden met de vereisten voor een veilig gebruik. Enige wijzigingen, aanpassingen, conversies of ander gebruik kunnen het veilige gebruik van het apparaat schenden. Bovendien zal de garantie hierdoor niet meer geldig zijn.



Buiten bereik van kinderen houden!

- Vermijd gevaar voor het leven en risico op letsel als gevolg van onjuist gebruik!
- Gebruik het apparaat niet als kabels, de voedingskabels of de stekker beschadigd zijn. Een beschadigde voedingskabel kan resulteren in een levensbedreigende situatie vanwege het risico op een elektrische schok.
- Een beschadigde stroomkabel mag alleen worden gerepareerd door erkende en hiervoor opgeleide professionals! In het geval dat een reparatie vereist is, verzoeken wij u contact op te nemen met het betreffende servicecentrum in uw land
- Gevaar voor elektrische schok! Voorafgaand aan het plaatsen van accu's die permanent in een voertuig worden geplaatst, dient eerst gecontroleerd te worden of het voertuig is uitgeschakeld! Schakel het contact uit en zet het voertuig in de parkeerstand met de handrem aan (bijv. bij een auto), of een vast touw (bijv. bij een elektrische boot)!
- Gevaar voor elektrische schok! Ontkoppel de autolader van de voedingskabel voordat u de connectors aansluit of loskoppelt van de accu.
- Sluit eerst de klem aan die niet is aangesloten op de carrosserie.
- Sluit de andere klem aan op de carrosserie, op ruime afstand van de accu en de brandstofleiding. Sluit vervolgens de autolader aan op een stopcontact.

- Gevaar voor elektrische schok! Sluit de accu aan op het stopcontact en zorg ervoor dat de kabel volledig beschermd is tegen vocht.
- Gevaar voor elektrische schok! Trek altijd de stekker uit het stopcontact voordat u de lader plaatst of onderhoud verricht aan de lader!
- Gevaar voor elektrische schok! Zodra het laad- en ontladingsproces gereed is, dient voor accu's die permanent in voertuigen geïnstalleerd zijn, eerst de negatieve kabel (zwart) van de negatieve accupool ontkoppeld te worden.
- Laat peuters of kinderen nooit zonder toezicht in de buurt van de autolader!
- Kinderen zijn nog niet in staat om potentieel gevaar te herkennen bij het gebruik van elektrische apparaten. Houd altijd toezicht op kinderen om te voorkomen dat zij met het gereedschap spelen.



Explosiegevaar! Bescherm uzelf tegen een explosieve chemische reactie van waterstof en zuurstof! De accu kan gasvormige waterstof uitstoten tijdens het laden en druppelladen. Knalgas is een explosieve mix van gasvormige waterstof en zuurstof. Contact met open vuur (vlammen, gloeiende as of vonken) zal deze zogenaamde knalgasreactie veroorzaken! Voer het laden of druppelladen uit in een goed geventileerde ruimte, die beschermd is tegen de weersomstandigheden. Zorg ervoor dat er geen open vuur is tijdens het laden en onderhoudsladen!

- Explosie- en brandgevaar! Controleer, voordat u de lader gebruikt, of er geen mogelijkheid is tot ontsteking van explosieve of ontvlambare materialen zoals benzine of schoonmaakmiddelen!
- Explosieve gassen! Vermijd vlammen en vonken!
- Zorg altijd voor een goede ventilatie tijdens het laden.

- Plaats de accu tijdens het laden altijd op een goed geventileerde ondergrond. Indien u dit negeert kan dit het apparaat beschadigd raken.



Explosiegevaar! Verzeker u ervan dat de positieve pool niet in contact komt met de brandstofleidingen.

- Gevaar op chemische brandwonden! Bescherm uw ogen en huid tegen corrosie van zuren als u in contact komt met de accu!
- Gebruik een zuurbestendige veiligheidsbril en zuurbestendige kleding en handschoenen! Als uw ogen of delen van uw huid in aanraking komen met zwavelhoudende zuren, spoel dan onmiddellijk het aangetaste gebied met veel schoon water en zoek direct medische hulp!
- Vermijd kortsluiting bij het aansluiten van de autolader op de accu. Sluit de negatieve kabel alleen aan op de negatieve pool van de accu of het carrosserie. Sluit de positieve aansluitkabel alleen aan op de positieve pool van de accu of het auto chassis!
- Voorafgaand aan het aansluiten op de voedingskabel, dient u te controleren of de netstroom de vereiste 230 V ~ 50 Hz, een nulleider, een 16 A zekering en een aardlekschakelaar heeft! Negeren van dit advies kan resulteren in beschadiging van het apparaat.
- Plaats de lader niet in de buurt van vuur, hitte en langdurige temperaturen boven de 50 °C! Het uitgangsvermogen van de autolader zakt automatisch bij hogere temperaturen.
- Verzeker u ervan dat er geen brandstofleidingen, elektrische kabels of hydraulische leidingen en waterleidingen tijdens het monteren van de lader, door de schroeven zijn beschadigd! Anders bestaat er een risico op overlijden of letsel!
- Gebruik de autolader alleen met de meegeleverde originele onderdelen!
- Leg geen objecten op de autolader! Negeren van dit advies kan resulteren in beschadiging van het apparaat.
- Bescherm de oppervlakken van elektrische contacten van de accu tegen kortsluiting!
- Gebruik de lader alleen voor het laden en onderhouden van onbeschadigde 6 V- / 12 V loodzuur accu's (met elektrolyt-oplossing of gel)! Anders bestaat er een risico op materiaalschade.
- Gebruik de autolader niet voor het laden of druppelladen van niet-oplaadbare accu's. Anders bestaat er een risico op materiaalschade.
- Gebruik de lader nooit voor het opladen van beschadigde of bevroren accu's! Anders bestaat er een risico op materiaalschade.
- Voorafgaand aan het aansluiten van de lader, dient de originele gebruiksaanwijzing van de accu gelezen te worden in verband met de informatie over het onderhoud van de accu! Anders bestaat er een risico op letsel en/of beschadiging van het apparaat.
- Voorafgaand aan het aansluiten van een accu die permanent is aangesloten op het voertuig, dient u de gebruiksaanwijzing van het voertuig te lezen voor informatie over het behouden van de veiligheid van elektrisch materiaal en het onderhoud! Anders bestaat er een risico op letsel en/of materiaalschade.
- Ook moet de autolader, indien deze niet wordt gebruikt, losgekoppeld worden van de netspanning. Dit op basis van milieuoverwegingen! Onthoud dat ook de standby-modus elektriciteit verbruikt.
- Let te allen tijden op en wees voorzichtig met wat u doet. Ga altijd voorzichtig te werk en gebruik de lader niet als u zich verward of niet goed voelt.

2. INFORMATIE OVER DE MACHINE

Bedoeld gebruik

Dit apparaat is ontworpen voor het opladen van een brede reeks SLA-accu's (verzegelde loodzuuraccu's) die voornamelijk worden gebruikt in auto's, motoren en enkele andere voertuigen. Ondersteunde soorten accu's zijn gewone, 'deep-cycle', gel- of AGM loodzuuraccu's. Het speciale ontwerp van het apparaat zorgt ervoor dat de accu op bijna 100% procent van zijn capaciteit kan worden geladen.

TECHNISCHE SPECIFICATIES

Modelnr.	BC501AC
Netspanning	230V~
Netfrequentie	50 Hz
Opgenomen vermogen	350 W
Retourstroom (geen toevoer van wisselstroom)	<5mA
Gemeten uitgangsspanning	6V / 12V
Laadstroom	2A / 6A / 15A +/-10%
Ondersteunde soorten accu's	Gewoon / 'Deep-cycle' / Gel / AGM
Ondersteunde accuvermogen	8-210Ah
Bescherming tegen binnen-dringen	IP20
Stroom tijdens het starten	75A max.
Gebruiksinterval tijdens het starten	3s AAN / 180s UIT

BESCHRIJVING

De nummers in de tekst verwijzen naar de afbeeldingen op pagina 2.

1. DISPLAY-knop
2. BATTERY TYPE-knop
3. MODE-knop
4. Negatieve (-) accupoolklem
5. Positieve (+) accupoolklem
6. Digitaal scherm
7. Stroomkabel
8. Zekering met afscherming

3. WERKING

Verwijder de voedingskabel uit het stopcontact voordat u werk verricht aan de acculader. • *Gevaar op elektrische schok! Gevaar op beschadiging aan eigendommen! Risico op letsel!*

Aansluiten

- Voordat u start met het laden of druppelladen van een accu die permanent is aangesloten op het voertuig, maakt u eerst de negatieve accupool los van het voertuig.
- Vervolgens maakt u de positieve accupool los van het voertuig.

- Pas daarna sluit u de positieve (rode) klem (5) van de acculader aan op de positieve (+) pool van de accu.
- Als laatste sluit u de negatieve (zwarte) klem (4) van de acculader aan op de negatieve (-) pool van de accu.

NB: Als de accuklemmen op de juiste manier zijn aangesloten dan geeft het scherm (6) het voltage weer en zal het indicatielampje 'Connected' (verbonden) oplichten.

Als de accuklemmen per ongeluk omgekeerd werden aangesloten, zal het scherm (6) '0.0' aangeven en zal het indicatielampje '+/- Error' (+/- Fout) oplichten om de onjuiste aansluiting van de polen te signaleren.

Ontkoppelen

- Eerst de acculader loskoppelen van de netvoeding.
- Verwijder de negatieve (zwarte) klem (4) van pool van de accu.
- Verwijder de positieve (rode) klem (5) van pool van de accu.
- Sluit de positieve pool van de accu opnieuw aan op de positieve aansluiting van het voertuig.
- Sluit de negatieve pool van de accu opnieuw aan op de negatieve aansluiting van het voertuig.

Oplaadprogramma selecteren

Door verschillende oplaadprogramma's te gebruiken, kunt u een brede reeks accu's laden bij verschillende omgevingstemperaturen. Het veilige oplaadproces beschermt tegen een verkeerde aansluiting en tegen kortsluiting. De geïntegreerde elektronica activeert de acculader niet direct nadat de aansluiting is gerealiseerd, maar pas nadat een oplaadprogramma werd geselecteerd.

- Als het indicatielampje '+/- Error' (+/- Fout) oplicht, dient de juiste aansluiting van de poolklemmen (4 & 5) aan de accu gecontroleerd te worden en of de juiste soort accu op de lader werd geselecteerd.

DISPLAY-knop (1)

Druk op deze knop om te wisselen tussen de verschillende display-modi. De geselecteerde display-modus wordt aangegeven door de lampjes direct naast de knop. De volgende modi zijn beschikbaar:

- Het scherm 'Accu %:' toont de huidige status van de lader van de aangesloten accu, variërend van 0% (geen lading) tot 100% (volledig geladen)
- Voltage: geeft het voltage van de aangesloten accu weer.
- Het scherm 'Alternator %:' geeft het uitgangsvermogen van de lader aan, variërend van 0% (uit) tot 100% (volledig vermogen)

BATTERY TYPE-knop (2)

Druk op deze knop om te wisselen tussen de verschillende soorten accu's.



Zorg ervoor dat het juiste soort accu is geselecteerd, voordat het laadproces wordt gestart. De soort accu die momenteel is geselecteerd, wordt door de indicatielampjes direct naast de BATTERY TYPE-knop (2) weergegeven.

De volgende soorten accu's worden ondersteund:

- 12V Gewoon
- 12V 'Deep-cycle'
- 12V Gel / AGM
- 6V Gewoon

NB: Na het aansluiten van de lader, wordt automatisch de accuspanning bepaald. Als de lader een 12V-accu onjuist detecteert als een 6V-accu, wil dat zeggen dat de accu defect is en/of overmatig ontladen is. Defecte accu's moeten worden vervangen, probeer nooit om een defecte accu te laden.

MODE-knop (3)

Druk op deze knop om te wisselen tussen de verschillende modi. De volgende modi kunnen worden geselecteerd:

- Snelladen: voor het snel laden van de accu. Aanbevolen instelling voor lage omgevingstemperaturen.
- Normaal laden: voor het normale laadproces.
- Starten: geeft kort een hoge stroom om een voertuig met een zwakke of praktisch lege accu te starten.

Gebruik van de modusStarten:

NB: de modus Starten kan alleen worden verlaten door de stroomkabel (7) los te koppelen van de voeding.



WAARSCHUWING! Maak de aansluitingen altijd in de juiste volgorde, zoals in deze gebruiksaanwijzing is beschreven. Anders kan de elektronica van het voertuig beschadigen. Te werk gaan tegen de specificaties is op eigen risico en verantwoordelijkheid. De modus voor het starten is niet geschikt voor accu's met een vermogen van minder dan 45Ah. Als deze modus voor een accu met minder dan 45Ah wordt gebruikt, kan dit tot schade aan de accu leiden. Merk op dat voor enkele dieselmotoren en benzinemotoren met een grote cilinderinhoud een startstroom is vereist die hoger is dan het ondersteunde maximum van dit apparaat (75A). Als de accu volledig leeg is, zal de maximale stroom van 75A mogelijk onvoldoende zijn om deze motoren te starten.

De lader is voorzien van een analyse-programma om de accu te beschermen tegen beschadiging (sulfatering of snelle voltage druppels), vooral tijdens het starten. Het apparaat schakelt niet over op de jumpstarter bij ernstig ontladen of zwaar gebruikte accu's om de accu te beschermen. Tijdens dit proces zal de accu worden geladen op basis van een lage stroom en zal het indicatielampje 'Charging' (Bezig met het laden) oplichten. Het scherm geeft nog steeds '0' weer. In dit geval kan de startfunctie niet worden gebruikt om de accu tegen beschadiging te beschermen. U dient eerst gedurende een bepaalde periode, de accu te laden via de modus Normaal of Snelladen, voordat u probeert om de startfunctie nogmaals te gebruiken.

- Neem de stekker van de stroomkabel (7) uit het stopcontact.
- Sluit de positieve (rode) klem (5) aan op de positieve (+) pool van de accu.
- Sluit de negatieve (zwarte) klem (4) aan op de negatieve (-) pool van de accu.
- Als de accupoolklemmen op de juiste manier zijn aangesloten, zal de autolader automatisch het juiste soort accu selecteren.
- Bekijk de indicator van het soort accu en pas deze indien nodig aan m.b.v. BATTERY TYPE-knop (2).

- Selecteer nu de functie 'Starten' m.b.v. de MODE-knop (3). De lader zal het laadniveau van de accu analyseren en het scherm (6) zal '0' weergeven.
- Activeer het contact van het voertuig. Het scherm zal een aftelling van 5 seconden tonen: 2 seconden priming/analyse, gevolgd door 3 seconden starten.
- Tijdens het aftellen zal de lader kortstondig 75A leveren, om de motor te starten. Deze aftelling wordt gevolgd door een pauze van 180 seconden om de accu te beschermen.
- Na de onderbreking van 180 seconden zal de cyclus opnieuw starten (2 seconden priming, 3 seconden starten, 180 seconden pauze) en kunt u nogmaals proberen om de motor te starten.
- Om de lader los te koppelen, dient u eerst de negatieve (zwarte) klem (4) van de accupool te verwijderen en vervolgens de positieve (rode) klem (5) van de accupool te verwijderen.

Accu-recontioneringsmodus

Sterk ontladen 12V-accu's kunnen voordat het daadwerkelijke laadproces start, door de lader gereconditioneerd worden. Als de spanning van de accu tussen de 8,5 en 10,5V is, zal de lader automatisch de reconditioneringsmodus starten. Tijdens het reconditioneringsproces gaat de indicator 'Charging' (Bezig met laden) knipperen en zal de acculader de accu gedurende 2 seconden met een 2A-laadstroom laden en vervolgens 1 seconde stoppen. Deze cyclus wordt gedurende 10 minuten steeds opnieuw uitgevoerd. Na het reconditioneringsproces zal de lader de spanning van de accu nogmaals meten.

- Als de spanning nu boven de 10,5V is, zal het 12V-laadproces automatisch starten.
- Als de spanning nog steeds lager is dan 10,5V, wordt gesteld dat de accu defect is. Het laden zal stoppen en het scherm toont "Err" om aan te geven dat een fout is opgetreden.

4. ONDERHOUD



Neem altijd de stekker van het netsnoer uit het stopcontact voordat werkzaamheden aan de acculader worden uitgevoerd.

De zekering vervangen (Afb. B1, B2)

Voer de volgende stappen uit om de zekering van de lader te vervangen:

- Neem de stekker van de stroomkabel uit het stopcontact.
- Verwijder de afscherming van de zekering (8) door op de zijkant van de afscherming te drukken.
- Schroef de zekering los met een passende sleutel of schroevendraaier.
- Vervang de zekering

Schoonmaken

- Reinig de metalen en kunststof onderdelen van de machine met een droge doek.
- Gebruik geen schurende schoonmaakmiddelen.
- Gebruik geen oplosmiddelen, zoals benzine, alcohol, ammonia, enz.

MILIEU



Niet goed functionerende en/of afgedankte elektrische of elektronische apparaten moeten bij de juiste inzamelpunten voor recycling worden aangeboden.

Alleen voor landen in de EG

Gooi geen elektrisch gereedschap bij het huisvuil. Volgens de Europese richtlijnen 2012/19/EC betreffende afgedankte Elektrische en Elektronische apparatuur en de implementatie hiervan in nationaal recht, moeten elektrische gereedschappen die niet langer gebruikt worden apart ingezameld en weggegooid worden op een milieuvriendelijk manier.

GARANTIE

Producten van VONROC worden op basis van de hoogste kwaliteitsnormen ontwikkeld en zijn gegarandeerd vrij van defecten, zowel voor wat betreft het materiaal als de afwerking, gedurende de door de wet bepaalde periode, startend vanaf de datum van de originele aankoop. Mocht het product gedurende deze periode enige storingen vertonen als gevolg van gebrekkelijk materiaal en/of gebrek-

kige afwerking, dient direct contact met VONROC opgenomen te worden.

De volgende omstandigheden zijn uitgesloten van de garantie:

- Reparatie en/of wijzigingen die door en niet erkend servicecentrum aan de machine werd/ werden aangebracht of waartoe een poging werd ondernomen;
- Normale slijtage;
- Het gereedschap werd misbruikt, verkeerd werd gebruikt en/of onjuist werd onderhouden;
- Niet-originele reserveonderdelen werden gebruikt.

Dit betreft de enige garantie die door de organisatie, impliciet of expliciet, wordt aangeboden. Geen andere garanties, impliciet noch expliciet, die verder strekken dan deze garantie, inclusief de impliciete garanties inzake de verkoopbaarheid en geschiktheid voor een specifiek doel. In geen geval zal VONROC aansprakelijk zijn voor incidentele schade of gevolgschade. De oplossingen van de dealers zullen beperkt zijn tot de reparatie of het vervangen van niet-conforme eenheden of onderdelen.

Het product en de gebruiksaanwijzing kunnen worden gewijzigd. Specificaties kunnen zonder voorafgaande kennisgeving worden gewijzigd.

1. CONSIGNES DE SÉCURITÉ

Veillez à bien lire les avertissements de sécurité, les avertissements supplémentaires de sécurité ainsi que toutes les instructions jointes. Le non-respect des avertissements de sécurité et des consignes peut entraîner des décharges électriques, des incendies et/ou de graves blessures. Conservez tous les avertissements et toutes les instructions liées à la sécurité afin de pouvoir vous y référer dans le futur.

Les symboles qui suivent sont utilisés dans la notice d'utilisation ou sur le produit :



Lisez la notice d'utilisation.



Indique un risque de blessure, de décès ou de détérioration de l'outil en cas de non-respect des consignes de ce manuel.



Indique un risque de décharge électrique.



Indique un risque d'explosion.



Ne jetez pas le produit de façon inappropriée.



Conformément aux normes de sécurité et aux Directives européennes en vigueur.

AVERTISSEMENTS DE SÉCURITÉ GÉNÉRALE PROPRES AUX OUTILS ÉLECTRIQUES



AVERTISSEMENT ! *Veillez à lire tous les avertissements sur la sécurité et toutes les instructions. Le non-respect des avertissements et des instructions peut entraîner des décharges électriques, des incendies et/ou de graves blessures.*

Conservez tous les avertissements et toutes les instructions afin de pouvoir vous y référer dans le futur.

Le terme "outil électrique" dans les avertissements fait référence à votre outil électrique alimenté sur secteur (avec fil) ou votre outil électrique alimenté sur batterie (sans fil).

1) Sécurité de la zone de travail

- a) **Maintenez la zone de travail propre et bien éclairée.** Les zones sombres ou encombrées sont propices aux accidents.
- b) **N'utilisez pas d'outils électriques dans un environnement présentant des risques d'explosion ou en présence de liquides, gaz ou poussières inflammables.** Les outils électriques créent des étincelles qui peuvent enflammer les poussières et les fumées.
- c) **Maintenez les enfants et les autres personnes éloignés lorsqu'un outil électrique est en marche.** Toute distraction peut vous faire perdre le contrôle de l'outil.

2) Sécurité électrique

- a) **Les prises des outils électriques doivent correspondre à la prise de courant murale. Ne modifiez jamais la prise d'aucune sorte. N'utilisez aucun adaptateur avec des outils électriques reliés à la terre.** L'utilisation de prises d'origine non modifiées et de prises murales appropriées permet de réduire le risque de décharge électrique.
- b) **Évitez tout contact physique avec des surfaces reliées à la terre comme des tuyaux, des radiateurs, des fours et des réfrigérateurs par exemple.** Le risque de décharge électrique augmente lorsque votre corps est relié à la terre.
- c) **N'exposez pas les outils électriques à la pluie, ni à l'humidité.** Le risque de décharge électrique augmente si de l'eau pénètre dans un outil électrique.
- d) **Ne tirez pas sur le cordon d'alimentation. N'utilisez jamais le cordon pour transporter, tirer ou débrancher l'outil électrique. Maintenez le cordon à l'écart de la chaleur, des substances grasses, des bords tranchants ou des pièces mobiles.** Les cordons endommagés ou emmêlés augmentent les risques de décharges électriques.
- e) **Si vous utilisez un outil électrique à l'extérieur, utilisez une rallonge homologuée pour les travaux à l'extérieur.** L'utilisation d'une rallonge électrique homologuée pour les travaux à l'extérieur réduit le risque de décharge électrique.
- f) **Si l'utilisation d'un outil électrique dans un endroit humide est inévitable, utilisez une alimentation électrique protégée par un disjoncteur différentiel à courant résiduel (DDR).** L'utilisation d'un DDR réduit le risque de décharge électrique.

3) Sécurité des personnes

- a) **Restez vigilant, surveillez ce que vous faites et faites preuve de bon sens lorsque vous utilisez un outil électrique. N'utilisez pas d'outils électriques si vous êtes fatigué ou sous l'influence de drogue, d'alcool ou de médicaments.** Tout moment d'inattention pendant l'utilisation d'un outil électrique peut engendrer de graves blessures.
- b) **Portez des équipements de protection individuelle. Veillez à toujours porter une protection oculaire.** Les équipements de protection comme les masques à poussière, les chaussures de sécurité antidérapantes, les casques ou les protections auditives réduisent le risque de blessures s'ils sont utilisés à bon escient.
- c) **Empêchez tout démarrage intempestif. Veillez à ce l'interrupteur soit sur la position Arrêt avant de raccorder l'outil à l'alimentation électrique et/ou au bloc-batterie ou avant de ramasser ou de transporter l'outil.** Le fait de transporter les outils électriques le doigt sur l'interrupteur ou d'alimenter les outils électriques dont l'interrupteur est déjà en position de marche augmente le risque d'accidents.
- d) **Retirez toutes les clés ou pinces de réglage avant de mettre l'outil en marche.** Une clé ou une pince restée fixée sur une pièce rotative de l'outil électrique peut engendrer des blessures.
- e) **Ne vous penchez pas. Gardez les pieds bien ancrés au sol et conservez votre équilibre en permanence.** Cela permet de mieux maîtriser l'outil électrique en cas de situations imprévues.
- f) **Portez des vêtements appropriés. Ne portez aucuns vêtements amples, ni bijoux. Gardez vos cheveux, vos vêtements et vos gants éloignés des pièces mobiles.** Les vêtements amples, les bijoux et les cheveux longs peuvent se trouver pris dans les pièces mobiles.
- g) **Si vous disposez de dispositifs pour le raccordement d'un extracteur de poussière ou d'installations pour la récupération, assurez-vous qu'ils sont correctement raccordés et utilisés.** L'utilisation de dispositifs récupérateurs de poussière peut réduire les risques liés aux poussières.
- h) **Ne pensez pas être familiarisé avec l'outil après l'avoir utilisé à de nombreuses reprises, au point de ne plus rester vigilant et d'en oublier les consignes de sécurité.** Toute action imprudente

peut entraîner de graves blessures en une fraction de seconde.

4) Utiliser et entretenir un outil électrique

- a) **Ne forcez pas sur l'outil. Utilisez l'outil électrique approprié, adapté pour le travail à réaliser.** Un outil adapté fonctionne mieux, de façon plus sûre et à la cadence pour laquelle il a été conçu.
- b) **N'utilisez pas l'outil électrique si l'interrupteur ne permet plus de le mettre en marche et de l'éteindre.** Tout outil électrique qui ne peut plus être commandé par son interrupteur est dangereux et il doit être réparé.
- c) **Débranchez la prise de courant et/ou retirez vous le bloc-batterie de l'outil électrique avant d'effectuer tout réglage, de changer un accessoire ou de ranger l'outil électrique.** Ces mesures de sécurité préventives réduisent le risque de démarrage accidentel de l'outil électrique.
- d) **Rangez les outils électriques non utilisés hors de portée des enfants et ne laissez aucune personne ne connaissant pas ces outils ou ces consignes les faire fonctionner.** Les outils électriques peuvent être dangereux entre des mains inexpérimentées.
- e) **Veillez à bien entretenir vos outils électriques. Vérifiez que les pièces mobiles sont alignées correctement et qu'elles ne sont pas coincées. Vérifiez qu'aucune pièce n'est cassée et contrôlez l'absence de toute autre condition qui pourrait nuire au bon fonctionnement de l'outil. En cas de dommage, faites réparer l'outil électrique avant de le réutiliser.** De nombreux accidents sont provoqués par des outils électriques mal entretenus.
- f) **Maintenez les organes de coupe affûtés et propres.** Des organes de coupe bien entretenus et dont le tranchant est affûté sont moins susceptibles de rester coincés et ils sont plus faciles à contrôler.
- g) **Utilisez les outils électriques, les accessoires et les embouts d'outil conformément à ces instructions, en tenant compte des conditions de travail, ainsi que du travail à effectuer.** L'utilisation d'un outil électrique à des fins autres que celles pour lesquelles il a été prévu engendre des situations dangereuses.
- h) **Gardez les poignées et les surfaces de préhension sèches, propres et sans trace d'huile et**

de graisse. Des poignées et des surfaces de préhension glissantes ne permettent pas de manipuler et de contrôler l'outil correctement en cas de situations inattendues.

5) Utilisation et entretien des outils fonctionnant sur batterie

- a) **Veillez à n'effectuer la recharge qu'à l'aide du chargeur spécifié par le fabricant.** Un chargeur adapté pour un type de bloc-batterie peut occasionner un risque d'incendie s'il est utilisé avec un bloc-batterie différent.
- b) **N'utilisez les outils électriques qu'avec les blocs-batteries qui leur sont dédiés.** L'utilisation d'autres blocs-batteries peut créer un risque de blessures et d'incendie.
- c) **Lorsque le bloc-batterie n'est pas utilisé, éloignez-le des objets métalliques comme les trombones, les pièces, les clés, les clous, les vis ou les autres petits objets qui pourraient créer un contact entre les deux bornes.** La mise en court-circuit des bornes d'une batterie peut provoquer des brûlures ou un incendie.
- d) **Dans des conditions extrêmes, du liquide peut être éjecté de la batterie. Évitez tout contact. En cas de contact accidentel, rincez à l'eau. En cas de contact avec les yeux, consultez en plus un médecin.** Le liquide sortant de la batterie peut provoquer des irritations ou des brûlures.
- e) **N'utilisez pas un bloc-batterie ou un outil qui est endommagé ou qui a été modifié.** Une batterie endommagée ou altérée peut avoir un comportement imprévisible qui peut conduire à un incendie, une explosion ou un risque de blessure.
- f) **N'exposez pas le bloc-batterie ou l'outil au feu ou à des températures excessives.** L'exposition au feu ou à des températures dépassant 130 °C peut provoquer une explosion. REMARQUE La température de "130°C" peut être remplacée par la température de "265°F".
- g) **Respectez toutes les instructions liées à la charge et ne rechargez pas le bloc-batterie ou l'outil en dehors de la plage de températures spécifiée dans les instructions.** Une charge mal effectuée ou à des températures hors de la plage spécifiée peut endommager la batterie et augmente le risque d'incendie.

6) Service

- a) **Ne faites réviser/réparer votre outil électrique que par un réparateur qualifié qui n'utilise que des pièces de rechange d'origine.** Cela permet de garantir la sûreté de l'outil électrique.
- b) **Ne réparez jamais des blocs-batteries endommagés.** Les réparations sur les blocs-batteries ne doivent être effectuées que par le fabricant ou l'un de ses prestataires de services agréés.

CONSIGNES DE SÉCURITÉ SUPPLÉMENTAIRES PROPRES AUX CHARGEURS DE BATTERIES

Le chargeur de batterie a été conçu en prenant en compte les exigences liées à la sûreté de son utilisation. Toute modification, adaptation, transformation ou utilisation autre, peuvent impacter la sûreté de l'appareil. La garantie en serait, de plus, annulée.



Gardez hors de portée des enfants !

- Évitez tout risque mortel ou risque de blessure dus à une utilisation incorrecte !
- Ne faites pas fonctionner l'appareil si les câbles, le câble d'alimentation ou la prise sont endommagés. Un câble d'alimentation électrique endommagé représente un risque mortel par électrocution.
- Ne faites réparer un câble d'alimentation électrique endommagé que par un professionnel agréé et formé ! Si une réparation est nécessaire, veuillez contacter le centre d'assistance de votre pays
- Risque de décharge électrique ! Pour les batteries installées en fixe dans un véhicule, contrôlez que le véhicule est éteint ! Coupez le contact et placez le véhicule en position de stationnement, frein à main serré (voiture) ou arrimé (bateau électrique) !
- Risque de décharge électrique ! Débranchez le chargeur de voiture du secteur avant d'y raccorder ou d'en retirer les connecteurs de la batterie.
- Raccordez d'abord la pince non reliée à la carrosserie de la voiture.
- Raccordez l'autre pince à la carrosserie de la voiture, loin de la batterie et de la conduite de carburant. Ne raccordez alors qu'ensuite le chargeur de voiture à l'alimentation électrique.
- Débranchez le chargeur de voiture de l'alimentation électrique après la charge.



Risque de décharge électrique ! Ne touchez les câbles de raccordement aux bornes ("-" et "+") que par leur zone isolée !

- Risque de décharge électrique ! Effectuez le raccordement à la batterie et à la prise de courant à l'abri de toute trace d'humidité.
- Risque de décharge électrique ! N'assemblez et n'entretenez le chargeur de voiture que s'il est débranché du secteur !
- Risque de décharge électrique ! Une fois le processus de charge et de décharge terminés sur des batteries installées en fixe dans un véhicule, débranchez d'abord le câble de raccordement à la borne négative (noir) du chargeur, de la borne négative de la batterie.
- Ne laissez pas les tout-petits et les enfants plus grands sans surveillance en présence du chargeur de voiture !
- Les enfants ne sont pas à même d'évaluer les risques potentiels liés à la manipulation des appareils électriques. Surveillez toujours les enfants afin de garantir qu'ils ne jouent pas avec l'appareil.



Risque d'explosion ! Protégez vous contre une réaction explosive possible de l'hydrogène-oxygène ! La batterie peut diffuser du gaz d'hydrogène pendant la charge ou la charge lente. L'oxyhydrogène est un mélange d'hydrogène et d'oxygène gazeux explosif. Tout contact avec un feu ouvert (flammes, braises ou étincelles) peut provoquer une réaction appelée oxyhydrogénique ! Effectuez la charge ou la charge lente dans une pièce bien aérée et protégée des intempéries. Assurez-vous de l'absence de tout foyer ouvert pendant la charge et/ou la charge d'entretien !

- Risque d'explosion et d'incendie ! Assurez-vous qu'il n'existe aucun risque d'inflammation de matières explosives ou inflammables, comme du carburant ou des solvants par exemple, pendant l'utilisation du chargeur !
- Gaz explosifs ! Évitez toute flamme ou étincelle !
- Assurez-vous de la présence d'une aération adaptée pendant la charge.
- Placez la batterie sur une surface bien aérée pendant la charge. Le non-respect de cette consigne peut endommager l'appareil.



Risque d'explosion ! Veillez à ce que le câble de raccordement à la borne positive n'entre pas en contact avec les conduites de carburant.

- Risque de brûlures chimiques ! Protégez vos yeux et votre peau contre les acides corrosifs lorsque vous manipulez la batterie !
- Utilisez des lunettes, des vêtements et des gants résistant aux acides ! En cas de contact de l'acide sulfurique avec vos yeux et votre peau, rincez la partie touchée abondamment à l'eau claire et consultez immédiatement un médecin !
- Évitez les courts-circuits électriques lors du raccordement du chargeur à la batterie. Ne raccordez le câble de raccordement à la borne négative qu'à la borne négative de la batterie ou à la carrosserie de la voiture. Ne raccordez le câble de raccordement à la borne positive qu'à la borne positive de la batterie !
- Avant d'effectuer le branchement au secteur, vérifiez que l'alimentation réseau est en 230 V~ 50 Hz, qu'elle dispose d'un neutre, d'un fusible de 16 A et d'un disjoncteur contre les fuites de terre ! Le non-respect de cette consigne peut endommager l'appareil.
- Ne placez pas le chargeur près d'un feu, d'une source de chaleur et ne l'exposez pas de façon prolongée à des températures supérieures à 50°C ! La puissance de sortie du chargeur de voiture chute automatiquement si la température est élevée.
- Assurez-vous qu'aucune conduite de carburant, câble électrique, flexible hydraulique ou canalisation d'eau ne peuvent être endommagés par les vis au moment de l'assemblage du chargeur ! Cela créerait sinon un danger de mort ou un risque de blessures !
- N'utilisez le chargeur de voiture qu'avec les pièces d'origine fournies !
- Ne couvrez le chargeur d'aucun objet ! Le non-respect de cette consigne peut endommager l'appareil.
- Protégez les surfaces des contacteurs électriques de la batterie contre les courts-circuits !
- N'utilisez le chargeur de voiture que pour procéder à la charge ou la charge d'entretien de batteries plomb-acide de 6V- / 12V (avec électrolyte en solution ou en gel) ! Des dégâts matériels pourraient sinon être occasionnés.
- N'utilisez pas le chargeur de voiture pour procéder à la charge ou la charge lente de piles non rechargeables. Des dégâts matériels pourraient sinon être occasionnés.
- N'utilisez pas le chargeur de voiture pour procéder à la charge ou la charge lente de batteries endommagées ou gelées ! Des dégâts matériels pourraient sinon être occasionnés.
- Avant de raccorder le chargeur, consultez la notice d'utilisation d'origine de la batterie afin de connaître les informations liées à la maintenance ! Il existe sinon un risque de blessure ou d'endommagement.
- Avant de raccorder le chargeur à une batterie installée en fixe dans un véhicule, consultez la notice du véhicule pour connaître les informations liées à la sécurité électrique et à la maintenance ! Il existe sinon risque de blessure et/ou de dommages matériels.
- Pour des raisons écologiques, débranchez également le chargeur de voiture du secteur lorsqu'il n'est pas utilisé ! Gardez à l'esprit que le fonctionnement en mode Veille consomme aussi de l'électricité.
- Restez toujours attentif et vigilant. Procédez toujours avec prudence et n'utilisez pas le chargeur de voiture si vous n'êtes pas concentré ou que vous ne vous sentez pas bien.

2. INFORMATIONS SUR LA MACHINE

Utilisation prévue

Cet appareil a été conçu pour charger diverses batteries plomb-acide généralement utilisées dans les voitures, les motos et certains autres véhicules. Les types de batteries compatibles sont les batteries plomb-acide normales, à cycle profond, gel et AGM. La conception spécifique de l'appareil permet à la batterie d'être rechargée à pratiquement 100% de sa capacité.

CARACTÉRISTIQUES TECHNIQUES

N° de modèle	BC501AC
Tension secteur	230V~
Fréquence secteur	50 Hz
Puissance absorbée	350 W
Courant inverse (sans entrée CA)	<5mA
Tension de sortie nominale	6V / 12V
Courant de charge	2A / 6A / 15A +/-10%
Types de batteries compatibles	Normal / Cycle profond / Gel / AGM
Capacités de batteries compatibles	8-210Ah
Protection IP	IP20
Courant Jump start	75A maxi
Intervalle utilisation Jump Start (Aide au démarrage)	3s actif / 180s inactif

PRÉSENTATION

Les numéros dans le texte font référence aux diagrammes de la page 2.

1. Bouton Affichage
2. Bouton TYPE Batterie
3. Bouton MODE
4. Pince borne négative (-)
5. Pince borne positive (+)
6. Écran numérique
7. Câble d'alimentation électrique
8. Fusible avec cache

3. FONCTIONNEMENT



Retirez la prise de la prise de courant avant toute intervention sur le chargeur. Risque de décharge électrique ! Risque de dommage matériel ! Risque de blessure !

Raccorder

- Avant de procéder à la charge ou la charge lente d'une batterie installée en fixe dans un véhicule, débranchez d'abord la cosse négative de la batterie dans le véhicule.
- Débranchez ensuite la cosse positive de la batterie du véhicule.
- Raccordez ensuite seulement la pince positive (rouge) du chargeur de batterie (5) à la borne positive (+) de la batterie.

- Raccordez pour finir la pince négative (noire) du chargeur de batterie (4) à la borne négative (-) de la batterie.

Remarque : Si les pinces de raccordement sont correctement installées, l'écran (6) affiche la tension et le voyant "Connected (Connecté)" s'allume. Si la polarité a été inversée par accident, l'écran (6) affiche "0.0" et le voyant "+/- Error (Erreur +/-)" s'allume pour le signaler.

Débrancher

- Débranchez d'abord le chargeur de batterie du secteur.
- Retirez la pince négative (noire) (4) de la borne de la batterie.
- Retirez la pince positive (rouge) (5) de la borne de la batterie.
- Rebranchez la cosse positive à la borne positive de la batterie dans le véhicule.
- Rebranchez la cosse négative à la borne négative de la batterie dans le véhicule.

Sélection du mode de charge

Vous pouvez recharger différentes batteries à différentes températures ambiantes en utilisant différents modes de charge. Le processus de charge sécurisé protège contre les erreurs de branchements et les courts-circuits. Le système électronique intégré n'active pas immédiatement le chargeur de batterie après les branchements, mais seulement après la sélection du mode de charge.

- Si le voyant "+/- Error" est allumé, contrôlez que les pinces (4 et 5) sont correctement raccordées à la batterie et que le bon type de batterie a été sélectionné sur le chargeur.

Bouton AFFICHAGE (1)

Appuyez sur ce bouton pour commuter entre les différents modes d'affichage. Le mode d'affichage sélectionné est indiqué par les voyants près du bouton. Les modes suivants sont disponibles :

- % batterie : l'écran affiche l'état actuel de la batterie raccordée, de 0% (déchargée) à 100% (pleine)
- Tension : l'écran indique la tension de la batterie raccordée
- % alternateur : l'écran affiche la puissance en sortie du chargeur, de 0% (coupée) à 100% (pleine puissance)

Bouton TYPE BATTERIE (2)

Appuyez sur ce bouton pour permuter entre les différents types de batteries.



Prenez soin de sélectionner le bon type de batterie avant de lancer la charge. Le type de batterie sélectionné est indiqué par les voyants près du bouton TYPE BATTERIE (2).

Le chargeur est compatibles avec les types de batteries suivants :

- 12V Normal
- 12V À cycle profond
- 12V Gel / AGM
- 6V Normal

Remarque : Après avoir raccorder le chargeur, il détecte automatiquement la tension de la batterie. Si le chargeur ne détecte à tort une batterie de 6V au lieu d'une batterie 12V, cela indique que la batterie est défectueuse et/ou trop déchargée. Les batteries défectueuses doivent être remplacées. Ne tentez pas de recharger une batterie défectueuse.

Bouton MODE (3)

Appuyez sur ce bouton pour permuter entre les différents modes de fonctionnement. Les modes suivants sont disponibles :

- Charge rapide : Permet de recharger la batterie rapidement. C'est le mode à choisir dans les environnements où la température ambiante est basse.
- Charge normale : Cycle de charge normal.
- Démarrage : Permet de fournir un fort courant pour pouvoir démarrer un véhicule dont la batterie est vide ou presque.

Utiliser le mode Aide au démarrage

Remarque : Le mode Aide au démarrage ne peut être activé qu'en débranchant le câble d'alimentation (7).



AVERTISSEMENT ! Veuillez à toujours procéder au branchement dans le bon ordre, tel que décrit dans cette notice. Le système électronique du véhicule pourrait sinon être endommagé. Si vous ne respectez pas les spécifications, sachez que vous le faites à vos propres risques et de votre seule responsabilité. Le mode Aide au démarrage est destiné aux batteries

dont la capacité est inférieure à 45Ah. L'utilisation de ce mode sur une batterie de plus de 45Ah pourrait endommager la batterie. Veuillez noter que certains moteurs diesel et moteurs essence de grosse cylindrée nécessitent un courant de démarrage supérieur au courant maximum fourni par cet appareil (75A). Si la batterie est complètement vide, il se peut que le courant maximum de 75A ne soit pas suffisant pour démarrer ces types de moteurs.

Le chargeur contient un programme analytique qui protège la batterie contre les dommages (ex : sulfatation ou chutes rapides de tension), particulièrement pendant les démarrages aidés. Afin de protéger la batterie, l'appareil n'active pas l'aide au démarrage pour des batteries fortement déchargées ou fortement sollicitées. Au cours de cette opération, la batterie est rechargée à un faible courant et le voyant "Charge" est allumé. L'écran continue d'afficher "0". Dans ce cas et pour protéger la batterie, la fonction Aide au démarrage ne peut pas être utilisée. Vous devez d'abord recharger la batterie, un moment, en mode Normal ou Charge rapide, avant de tenter de nouveau d'utiliser la fonction Aide au démarrage.

- Branchez le câble d'alimentation (7) dans une prise de courant.
- Raccordez la pince positive (rouge) (5) à la borne positive (+) de la batterie.
- Raccordez la pince négative (noire) (4) à la borne (-) de la batterie.
- Si les pinces sont reliées correctement, le chargeur sélectionne automatiquement le bon type de batterie.
- Contrôlez l'indicateur du type de batterie et ajustez si nécessaire à l'aide du bouton TYPE BATTERIE (2).
- Sélectionnez alors la fonction Démarrage à l'aide du bouton MODE (3). Le chargeur analyse le niveau de charge de la batterie et l'écran (6) affiche "0".
- Mettez le contact dans le véhicule. L'écran affiche alors un compte à rebours de 5 secondes : 2 secondes pour l'amorçage/l'analyse suivies de 3 secondes pour le démarrage.
- Pendant le compte à rebours, le chargeur délivre brièvement 75A pour démarrer le moteur.

Le compte à rebours est suivi de 180 secondes de pause pour protéger la batterie.

- Après les 180 secondes de pause, le cycle recommence (2 secondes d'amorçage, 3 secondes de démarrage, 180 secondes de pause) et vous pouvez de nouveau tenter de démarrer le moteur.
- Pour débrancher le chargeur : retirez d'abord la pince négative (noire) (4) de la borne de la batterie, puis retirez la pince positive (rouge) (5) de la borne de la batterie.

Mode Reconditionnement batterie

Les batteries 12V fortement déchargées sont reconditionnées par la chargeur avant que le cycle de charge ne démarre. Si la tension de la batterie est comprise entre 8,5 et 10,5V, le chargeur passe automatiquement en mode Reconditionnement. Pendant la procédure de reconditionnement, le voyant "Charge" clignote et le chargeur de batterie recharge la batterie à un courant de charge de 2A pendant 2 secondes, avant de s'arrêter 1 seconde. Ce cycle est répété pendant 10 minutes. Une fois la procédure de reconditionnement terminée, le chargeur mesure de nouveau la tension de la batterie.

- Si la tension est alors supérieure à 10,5V, la procédure de charge à 12V est automatiquement lancée.
- Si la tension est toujours inférieure à 10,5V, la batterie est alors considérée comme étant défectueuse. La charge est arrêtée et l'écran affiche "Err" pour indiquer qu'une erreur s'est produite.

4. MAINTENANCE



Veillez à toujours débrancher le câble d'alimentation de la prise de courant avant d'intervenir sur le chargeur de batterie.

Remplacer le fusible (Fig. B1, B2)

Respectez les étapes suivantes pour remplacer le fusible :

- Débranchez le câble d'alimentation de la prise de courant.
- Retirez le cache-fusible (8) en appuyant sur les côtés du cache.
- Dévissez le fusible à l'aide d'une clé.
- Remplacez le fusible

Nettoyage

- Nettoyez les parties en métal et en plastique de la machine à l'aide d'un chiffon sec
- N'utilisez pas de produits de nettoyage abrasif.
- N'utilisez pas de solvants comme de l'essence de l'alcool ou de l'ammoniaque, etc.

ENVIRONNEMENT



Les appareils électriques et électroniques défectueux ou en fin de vie doivent être rapportés dans des sites de recyclage appropriés.

Pour les pays de la Communauté Européenne uniquement

Ne jetez pas les outils électriques avec les déchets ménagers. Conformément à la Directive Européenne 2012/19/CE relative à l'élimination des déchets électriques et électroniques et sa transposition dans la législation nationale, les outils électriques inutilisables doivent être collectés séparément et être jetés de façon écologique.

GARANTIE

Les produits VONROC sont développés avec les normes de qualité les plus hautes et ils sont garantis pour être exempts de défaut de pièces et de main d'œuvre pour la durée stipulée par la loi et à compter de la date d'achat initiale. Si, au cours de cette période, le produit devait rencontrer une quelconque panne due à un défaut de pièce ou de main d'œuvre, contactez VONROC directement. Les conditions suivantes sont exclues de la garantie :

- Réparations ou modifications sur la machine, faites ou tentées par des réparateurs non agréés ;
- Usure normale ;
- Utilisation abusive ou incorrecte ou maintenance incorrecte de l'outil ;
- Utilisation de pièces détachées non d'origine.

Cela constitue l'unique garantie, explicite ou implicite, proposée par la société. Il n'existe aucune autre garantie, explicite ou implicite, qui puisse dépasser le cadre de la présente garantie, y compris les garanties implicites de qualité marchande et d'adaptation à un usage particulier. En aucun cas, VONROC ne saurait être tenu responsable pour les dommages accidentels ou consécutifs. Les recours des revendeurs sont limités à la réparation ou au remplacement des équipements ou des pièces non conformes.

Le produit et la notice d'utilisation sont sujets à modifications. Les caractéristiques peuvent être modifiées sans notification préalable.

1. INSTRUCCIONES DE SEGURIDAD

Lea las advertencias de seguridad, las advertencias de seguridad adicionales y las instrucciones adjuntas. Si no respeta las advertencias de seguridad y las instrucciones, pueden ocasionarse descargas eléctricas, incendios y/o lesiones graves. Guarde las advertencias de seguridad y las instrucciones para su futura consulta.

En el manual de usuario o en el producto se utilizan los siguientes símbolos:



Lea el manual de usuario.



Denota riesgo de lesiones personales, muerte o daños a la herramienta en caso de incumplimiento de las instrucciones del presente manual.



Indica peligro de descarga eléctrica.



Indica riesgo de explosión.



No tire el producto en contenedores inadecuados.



De conformidad con las normas de seguridad y las directivas europeas aplicables.

ADVERTENCIAS GENERALES DE SEGURIDAD PARA HERRAMIENTAS ELÉCTRICAS



ADVERTENCIA. *Lea todas las advertencias de seguridad y todas las instrucciones. Si no respeta las advertencias de seguridad y las instrucciones, pueden ocasionarse descargas eléctricas, incendios y/o lesiones graves.*

Guarde todas las advertencias y las instrucciones para su futura consulta.

Por "herramienta eléctrica" en las advertencias se entiende la herramienta alimentada por la red (con cable) o la herramienta alimentada a batería (sin cable).

- 1) **Seguridad en el área de trabajo**
 - a) **Mantenga el área de trabajo limpia y bien iluminada.** Las áreas desordenadas u oscuras favorecen los accidentes.
 - b) **No utilice herramientas eléctricas en atmósfe-**

ras explosivas, como en presencia de líquidos, gases o polvos inflamables. Las herramientas eléctricas generan chispas que pueden encender el polvo o los humos.

- c) **Mantenga alejados a los niños y a otras personas cuando utilice una herramienta eléctrica.** Las distracciones pueden causar pérdidas de control.

2) Seguridad eléctrica

- a) **Los enchufes de las herramientas eléctricas deben coincidir con la toma de corriente. Nunca modifique el enchufe de ningún modo. No utilice ningún enchufe adaptador con las herramientas eléctricas con toma de tierra (puesta a masa).** Los enchufes no modificados y las tomas de corriente que correspondan reducen el riesgo de descarga eléctrica.
- b) **Evite el contacto del cuerpo con superficies conectadas a tierra o puestas a masa, como tubos, radiadores, cocinas y refrigeradores.** Existe un mayor riesgo de descarga eléctrica si su cuerpo está conectado a tierra o puesto a masa.
- b) **No exponga las herramientas eléctricas a la lluvia ni a la humedad.** Si entra agua en una herramienta eléctrica, aumenta el riesgo de descarga eléctrica.
- d) **No maltrate el cable. No utilice nunca el cable para transportar, tirar o desenchufar la herramienta eléctrica. Mantenga el cable alejado del calor, el aceite, los cantos vivos y las piezas móviles.** Los cables dañados o enredados aumentan el riesgo de descarga eléctrica.
- e) **Cuando utilice una herramienta eléctrica en exteriores, utilice un cable prolongador adecuado para uso en exteriores.** Usar un cable adecuado para exteriores reduce el riesgo de descarga eléctrica.
- f) **Si el uso de una herramienta eléctrica en un entorno húmedo es inevitable, utilice un suministro protegido con un dispositivo diferencial residual (DDR).** El uso de un DDR reduce el riesgo de descarga eléctrica.

3) Seguridad personal

- a) **Esté atento, tenga cuidado con lo que hace y aplique el sentido común cuando utilice una herramienta eléctrica. No utilice herramientas eléctricas si está cansado o bajo el efecto de drogas, alcohol o medicamentos.** Un momento

de desatención mientras utiliza las herramientas eléctricas puede causar lesiones personales graves.

- b) **Use equipo de protección individual. Use siempre protectores oculares.** Los equipos de protección, como la máscara antipolvo, el calzado de seguridad antideslizante, el casco o la protección auditiva, utilizados en las condiciones adecuadas, reducen las lesiones personales.
- c) **Evite arranques involuntarios. Compruebe que el interruptor esté en la posición de apagado antes de conectar la herramienta a la fuente de alimentación y/o a la batería, y antes de cogerla o transportarla.** Transportar herramientas eléctricas con el dedo puesto sobre el interruptor o enchufarlas con el interruptor encendido puede causar accidentes.
- d) **Retire cualquier llave de ajuste o llave de tuercas antes de encender la herramienta eléctrica.** Si se deja cualquier tipo de llave puesta en una pieza giratoria de la herramienta eléctrica, pueden producirse lesiones personales.
- e) **No se estire demasiado. Mantenga una posición firme y equilibrada en todo momento.** Así tendrá un mejor control de la herramienta eléctrica en situaciones imprevistas.
- f) **Vístase en modo adecuado. No use prendas sueltas ni joyas. Mantenga el cabello, la ropa y los guantes alejados de las piezas móviles.** La ropa suelta, las joyas o el cabello largo pueden quedar atrapados en las piezas móviles.
- g) **Si se proporcionan dispositivos para la conexión de aparatos de extracción y recogida de polvo, compruebe que estos estén conectados y que se utilicen correctamente.** El uso de aparatos de recogida de polvo puede reducir los riesgos relacionados con el polvo.
- h) **No permita que la familiaridad adquirida con el uso frecuente de las herramientas le haga confiarse e ignorar los principios de seguridad de las herramientas.** Una acción descuidada puede causar lesiones graves en una fracción de segundo.

4) Uso y cuidado de la herramienta eléctrica

- a) **No fuerce la herramienta eléctrica. Utilice la herramienta eléctrica correcta para su aplicación.** Usar la herramienta eléctrica correcta y al ritmo para el que esta ha sido diseñada permite hacer mejor el trabajo y con más seguridad.

- b) **No utilice la herramienta eléctrica si no se puede encender o apagar con el interruptor.** Cualquier herramienta eléctrica que no pueda ser controlada con el interruptor es peligrosa y debe ser reparada.
- c) **Desconecte el enchufe de la fuente de alimentación y/o quite la batería de la herramienta eléctrica antes de hacer cualquier ajuste, cambiar los accesorios o guardar la herramienta eléctrica.** Estas medidas de seguridad preventivas reducen el riesgo de que la herramienta eléctrica se ponga en marcha accidentalmente.
- d) **Guarde las herramientas eléctricas inactivas fuera del alcance de los niños y no permita que las utilicen las personas no familiarizadas con las herramientas eléctricas o con estas instrucciones.** Las herramientas eléctricas son peligrosas en manos de usuarios no capacitados.
- e) **Efectúe el mantenimiento de las herramientas eléctricas. Compruebe si las piezas móviles están desalineadas o agarradas, si hay piezas rotas o cualquier otra condición que pueda afectar al funcionamiento de la herramienta. En caso de que la herramienta esté dañada, hágala reparar antes de usarla.** Muchos accidentes son causados por herramientas eléctricas mal mantenidas.
- f) **Mantenga las herramientas de corte afiladas y limpias.** Las herramientas de corte bien mantenidas y con bordes de corte afilados tienen menos probabilidades de atascarse y son más fáciles de controlar.
- g) **Utilice la herramienta eléctrica, los accesorios y las brocas, etc., de acuerdo con estas instrucciones, teniendo en cuenta las condiciones de trabajo y el trabajo a realizar.** El uso de la herramienta eléctrica para operaciones diferentes a las previstas puede causar situaciones peligrosas.
- h) **Mantenga las empuñaduras y las superficies de agarre secas, limpias y libres de aceite y grasa.** Las asas y las superficies de agarre resbaladizas no permiten un manejo y control seguros de la herramienta en situaciones inesperadas.
- 5) Uso y cuidado de la herramienta de batería**
- a) **Recargue el aparato solo con el cargador especificado por el fabricante.** Un cargador apto para un tipo de batería puede ocasionar riesgo de incendio si se usa con otra batería.
- b) **Use las herramientas eléctricas solo con la batería especialmente diseñada.** El uso de cualquier otra batería puede ocasionar riesgo de lesiones e incendios.
- c) **Cuando no use la batería, manténgala alejada de otros objetos metálicos tales como grapas de papel, monedas, llaves, clavos, tornillos u otros objetos metálicos pequeños que puedan poner en conexión los terminales entre sí.** Poner en cortocircuito los terminales de la batería puede ocasionar quemaduras o incendios.
- d) **En condiciones de uso indebido, la batería puede perder líquido, evite el contacto. En caso de contacto accidental, aclare con agua. Si el líquido entra en contacto con los ojos, consulte a un médico.** El líquido que expulsa la batería puede causar irritaciones o quemaduras.
- e) **No utilice una batería o una herramienta que esté dañada o modificada.** Las baterías dañadas o modificadas pueden presentar un comportamiento impredecible y provocar un incendio, una explosión o riesgo de lesiones.
- f) **No exponga una batería o una herramienta al fuego o a temperatura excesiva.** La exposición al fuego o a temperaturas superiores a 130 °C puede provocar una explosión. NOTA: La temperatura "130 °C" puede sustituirse por la temperatura de "265 °F".
- g) **Siga todas las instrucciones de carga y no cargue la batería o la herramienta fuera del intervalo de temperatura especificado en las instrucciones.** La carga incorrecta o a temperaturas fuera del intervalo especificado puede causar daños a la batería y aumentar el riesgo de incendio.
- 6) Reparaciones**
- a) **Haga reparar su herramienta eléctrica por una persona cualificada, usando solo piezas de repuesto idénticas.** Esto garantiza que se mantenga la seguridad de la herramienta eléctrica.
- b) **Nunca repare las baterías dañadas.** El mantenimiento de las baterías debe ser realizado solo por el fabricante o los proveedores de servicio autorizados.

INSTRUCCIONES DE SEGURIDAD ADICIONALES PARA CARGADORES DE BATERÍAS

En el diseño del cargador de baterías se han tenido en cuenta los requisitos para un uso seguro. Cualquier cambio, adaptación, conversión u otro uso puede interferir con la seguridad del aparato. Además, la garantía perderá su validez por este motivo.



Mantener alejado del alcance de los niños.

- Evite el peligro de muerte y el riesgo de lesiones debidos a un uso impropio.
- No utilice el dispositivo si los cables, los cables de red o el enchufe están dañados. Un cable de red dañado supone un peligro de muerte por descarga eléctrica.
- Si el cable de alimentación está dañado, hágalo reparar solo por profesionales autorizados y capacitados. En caso de que sea necesaria una reparación, póngase en contacto con el centro de servicios de su país.
- Peligro de descarga eléctrica. En caso de baterías montadas en un vehículo en modo permanente, compruebe que el vehículo tenga el motor apagado. Apague el motor y estacione el vehículo con el freno de mano puesto (p. ej., un coche) o un cabo fijo (p. ej., un bote eléctrico).
- Peligro de descarga eléctrica. Desenchufe el cargador de baterías de coche de la red de alimentación antes de poner o quitar los conectores de la batería.
- Primero conecte la pinza no conectada a la carrocería del coche.
- Conecte la otra pinza a la carrocería del coche, alejada de la batería y del tubo de gasolina. Solo entonces conecte el cargador de baterías de coche a la fuente de alimentación.
- Desconecte el cargador de coche de la fuente de alimentación después de la carga.



¡Peligro de descarga eléctrica! Toque los cables de la conexión terminal (“-“ y “+”) solo por la parte aislada.

- Peligro de descarga eléctrica. Establezca la conexión con la batería y el enchufe de la red de corriente completamente protegido contra la humedad.
- Peligro de descarga eléctrica. Monte, haga el

mantenimiento y cuide el cargador de baterías de coche solo cuando está desconectado de la red eléctrica.

- Peligro de descarga eléctrica. Una vez finalizado el proceso de carga y descarga, en las baterías instaladas en modo permanente en los vehículos, primero desconecte el cable de conexión del terminal negativo del cargador (negro) del terminal negativo de la batería.
- No deje bebés o niños sin vigilar con el cargador de coche.
- Los niños no pueden evaluar los potenciales daños que supone el manejo de los aparatos eléctricos. Supervise siempre a los niños para asegurarse de que no jueguen con la herramienta.



Peligro de explosión Protéjase de la reacción altamente explosiva del hidrógeno-oxígeno. La batería puede emitir hidrógeno gaseoso durante la carga y la carga lenta. El oxidrógeno es una mezcla explosiva de gas de hidrógeno y oxígeno. El contacto con llamas libres (llamas, brasas o chispas) causa una reacción llamada oxidrógeno. Realice la carga y la carga lenta en un lugar bien ventilado y protegido de la intemperie. Asegúrese de que no haya llamas libres durante la carga y la carga de mantenimiento.

- Peligro de explosión y riesgo de incendio. Asegúrese de que no haya posibilidad de ignición de explosivos o materiales inflamables tales como petróleo o disolventes mientras usa el cargador.
- Gases explosivos. Evite las llamas y las chispas.
- Asegure una ventilación adecuada durante la carga.
- Coloque la batería sobre una superficie bien ventilada durante la carga. En caso contrario, pueden producirse daños al dispositivo.



Peligro de explosión Asegúrese de que el cable de conexión del terminal positivo no entre en contacto con los tubos de combustible.

- Peligro de quemaduras químicas. Protéjase los ojos y la piel de la corrosión de los ácidos cuando entre en contacto con la batería.

- Use gafas, ropa y guantes resistentes a los ácidos. Si los ojos o la piel entran en contacto con ácido sulfúrico, aclare la parte del cuerpo afectada con abundante agua limpia y consulte inmediatamente a un médico.
- Evite los cortocircuitos eléctricos cuando conecte el cargador de baterías de coche a la batería. Conecte solo el cable de conexión del terminal negativo al terminal negativo de la batería o a la carrocería del coche. Conecte solo el cable de conexión del terminal positivo al terminal positivo de la batería.
- Antes de conectar a la red, compruebe que la corriente de la red tenga 230 V~ 50 Hz, plomo neutro, un fusible de 16 A y un interruptor ELCB (disyuntor de fuga a tierra), como exigido. En caso contrario, pueden producirse daños al dispositivo.
- No coloque el cargador cerca del fuego, calor y temperaturas prolongadas superiores a 50 °C. La potencia de salida del cargador de baterías de coche baja automáticamente a temperaturas más elevadas.
- Compruebe que no haya líneas de combustibles, cables eléctricos o tubos hidráulicos o de agua dañados por los tornillos mientras monta el cargador. En caso contrario, existe riesgo de muerte o de lesiones.
- Use el cargador de baterías de coche solo con las piezas originales suministradas.
- No cubra el cargador de coche con ningún objeto. En caso contrario, pueden producirse daños al dispositivo.
- Proteja las superficies de los contactos eléctricos de la batería de los cortocircuitos.
- Use el cargador de coche solo para carga y mantenimiento de carga de baterías de plomo y ácido no dañadas de 6 V- / 12 V (con solución electrolítica o gel). En caso contrario pueden producirse daños materiales.
- No use el cargador de baterías de coche para cargar o cargar lentamente baterías no recargables. En caso contrario pueden producirse daños materiales.
- No use el cargador de baterías de coche para cargar o cargar lentamente baterías dañadas o congeladas. En caso contrario pueden producirse daños materiales.
- Antes de conectar el cargador, consulte el manual de instrucciones original de la batería para informarse sobre el mantenimiento de la

batería. En caso contrario existe el riesgo de lesiones y/o de dañar el dispositivo.

- Antes de conectar el cargador a la batería conectada permanentemente a un vehículo, consulte las instrucciones de funcionamiento del vehículo para obtener información sobre la seguridad del mantenimiento eléctrico y el mantenimiento. En caso contrario existe el riesgo de lesiones y/o de daños materiales.
- Desconecte también el cargador de baterías de coche de la red cuando no lo use, por motivos medioambientales. Recuerde que al estar en modo de espera, el cargador consume electricidad.
- Esté siempre atento y tenga cuidado con lo que hace. Actúe siempre con precaución y no utilice el cargador de baterías de coche cuando esté confundido o no se sienta bien.

2. INFORMACIÓN SOBRE LA MÁQUINA

Uso previsto

Este dispositivo ha sido diseñado para cargar una variedad de SLA (baterías selladas de plomo y ácido), usadas principalmente en coches, motocicletas y algunos otros vehículos. Los tipos de baterías compatibles son las normales, las de ciclo profundo, las de gel o las de plomo-ácido AGM. El diseño especial del dispositivo permite cargar la batería hasta aproximadamente el 100 % de su capacidad.

ESPECIFICACIONES TÉCNICAS

Modelo n.º	BC501AC
Tensión de alimentación de red	230 V~
Frecuencia de alimentación de red	50 Hz
Potencia de entrada	350 W
Corriente inversa (sin entrada de CA)	<5 mA
Tensión de salida nominal	6 V / 12 V
Corriente de carga	2 A / 6 A / 15 A +/-10 %
Tipos de baterías compatibles	Normal / Ciclo profundo / Gel / AGM
Capacidad de baterías admitida	8-210 Ah
Protección de entrada	IP20
Corriente de arranque con pinzas	75 A máx.

Intervalo de uso de arranque con pinzas	3s ENCENDIDO / 180s APAGADO
---	-----------------------------

DESCRIPCIÓN

Los números del texto se refieren a los diagramas de la página 2.

1. Botón DISPLAY
2. Botón TIPO DE BATERÍA
3. Botón MODO
4. Pinza terminal negativo (-)
5. Pinza terminal positivo (+)
6. Pantalla digital
7. Cable de alimentación
8. Fusible con tapa

3. FUNCIONAMIENTO



Saque el enchufe de red de la toma de red antes de efectuar cualquier trabajo en el cargador de batería. *Riesgo de descarga eléctrica. Peligro de dañar la propiedad. Riesgo de lesiones personales.*

Conexión

- Antes de cargar o cargar lentamente una batería conectada en modo permanente a un vehículo, desconecte primero el terminal negativo de la batería del vehículo.
- Después desconecte el terminal positivo de la batería del vehículo.
- Solo entonces conecte la pinza positiva (roja) del cargador de baterías (5) al terminal positivo (+) de la batería.
- Por último, conecte la pinza negativa (negra) del cargador de baterías (4) al terminal negativo (-) de la batería.

Nota: Si las pinzas del conector están correctamente conectadas, la pantalla (6) mostrará el voltaje y se encenderá la luz indicadora "Conectado". Si los polos se invierten accidentalmente, la pantalla (6) mostrará "0.0" y el indicador "+/- Error" se encenderá para indicar un error de polaridad.

Desconexión

- Primero desconecte el cargador de baterías de la red eléctrica.
- Saque la pinza negativa (negra) (4) del terminal de la batería.
- Saque la pinza positiva (roja) (5) del terminal de la batería.

- Vuelva a conectar el terminal positivo de la batería a la conexión positiva del vehículo.
- Vuelva a conectar el terminal negativo de la batería a la conexión negativa del vehículo.

Seleccionar el modo de carga

Se puede cargar una variedad de baterías a diferentes temperaturas ambiente usando diferentes modos de carga. El proceso de carga seguro protege contra los fallos de conexión y los cortocircuitos. Los elementos electrónicos integrados no encienden el cargador de baterías de coche inmediatamente después de conectarlo, sino solo después de seleccionar un modo de carga.

- En caso de que se encienda el indicador "+/- Error", compruebe si las pinzas de los terminales (4 y 5) están correctamente conectadas a la batería y si se ha seleccionado el tipo de batería correcto en el cargador.

Botón PANTALLA (1)

Pulse este botón para cambiar entre diferentes modos de visualización. El modo de visualización seleccionado se indica mediante las luces situadas junto al botón. Están disponibles los siguientes modos:

- Batería %: la pantalla muestra el estado de carga actual de la batería conectada, que va de 0 % (sin carga) a 100 % (carga completa)
- Voltaje: indica el voltaje de la batería conectada.
- Alternador %: La pantalla muestra la potencia de salida del cargador, que va de 0 % (apagado) a 100 % (plena potencia)

Botón TIPO DE BATERÍA (2)

Pulse este botón para cambiar entre diferentes tipos de baterías.



Tenga cuidado de seleccionar el tipo de batería correcto antes de iniciar el proceso de carga. *El tipo de batería seleccionado actualmente se indica mediante las luces situadas junto al botón TIPO DE BATERÍA (2).*

Se admiten los siguientes tipos de baterías:

- Normal de 12 V
- Ciclo profundo de 12 V
- Gel / AGM de 12 V
- Normal de 6 V

Nota: Después de conectar el cargador, este determinará automáticamente el voltaje de la batería. Si el cargador detecta incorrectamente una batería de 12 V como una batería de 6 V, significa que la batería está defectuosa y/o sobredescargada. Las baterías defectuosas deben ser reemplazadas, no intente cargar una batería defectuosa.

Botón MODO (3)

Pulse este botón para cambiar entre diferentes modos de funcionamiento. Se pueden seleccionar los siguientes modos:

- Carga rápida: Carga rápidamente la batería. Ajuste recomendado para temperaturas ambientales bajas.
- Carga normal: Proceso de carga normal.
- Arranque: Suministra brevemente una alta corriente para arrancar con pinzas un vehículo con una batería débil o agotada.

Uso del modo de arranque con pinzas

Nota: Del modo de arranque con pinzas se puede salir solo desenchufando el cable de alimentación (7).



ADVERTENCIA. Realice siempre las conexiones en el orden correcto, como se describe en este manual de usuario. En caso contrario, pueden dañarse los elementos electrónicos del vehículo. Si no cumple las especificaciones, procede bajo su riesgo y responsabilidad. El modo de arranque con pinzas no es adecuado para baterías con capacidad inferior a 45 Ah. Usar este modo en una batería <45 Ah puede dañar la batería. Tenga en cuenta que algunos motores diésel y de gasolina de gran cilindrada requieren una corriente de arranque superior a la máxima soportada por este aparato (75 A). Si la batería está completamente agotada la corriente máxima de 75 A puede no ser suficiente para arrancar estos motores.

El cargador presenta un programa de análisis para proteger la batería de daños (p. ej. sulfatación o goteos de voltaje rápido), especialmente durante el arranque con pinzas. El dispositivo no se encenderá por arranque con pinzas en caso de baterías muy agotadas o sometidas a mucho esfuerzo, para

proteger la batería. Durante este proceso, la batería se cargará con una corriente baja y se encenderá el indicador de "Carga". La pantalla sigue mostrando "0". En este caso no se puede usar la función de arranque con pinzas, para proteger la batería. Primero debe cargar la batería en modo de carga normal o rápida durante algún tiempo antes de intentar utilizar de nuevo la función de arranque con pinzas.

- Enchufe el cable de alimentación (7) en la toma de corriente.
- Conecte la pinza positiva (roja) (5) al terminal positivo (+) de la batería.
- Conecte la pinza negativa (negra) (4) al terminal negativo (-) de la batería.
- Si las pinzas del terminal están conectadas correctamente, el cargador seleccionará automáticamente el tipo de batería correcto.
- Revise el indicador del tipo de batería y ajústelo si es necesario con el botón TIPO DE BATERÍA (2).
- Ahora seleccione la función "Arranque" usando el botón MODO (3). El cargador analizará el nivel de carga de la batería y en la pantalla (6) se leerá '0'.
- Ponga en marcha el vehículo. La pantalla mostrará ahora una cuenta atrás de 5 segundos: 2 segundos de cebado/análisis seguidos de 3 segundos de arranque.
- Durante la cuenta atrás, el cargador suministrará brevemente 75 A para arrancar el motor. Después de la cuenta atrás habrá una pausa de 180 segundos para proteger la batería.
- Después de la pausa de 180 segundos, se reiniciará el ciclo (2 segundos de cebado, 3 segundos de arranque, 180 segundos de pausa) y podrá intentar arrancar el motor nuevamente.
- Para desconectar el cargador: primero retire la pinza negativa (negra) (4) del terminal de la batería, y después retire la pinza positiva (roja) (5) del terminal de la batería.

Modo de reacondicionamiento de la batería

Las baterías de 12V muy descargadas serán reacondicionadas por el cargador antes de iniciar el proceso de carga propiamente dicho. Cuando el voltaje de la batería esté entre 8,5 y 10,5V, el cargador entrará automáticamente en el modo de reacondicionamiento. Durante el proceso de reacondicionamiento, el indicador de "Carga" par-

padeará y el cargador de batería cargará la batería con una corriente de carga de 2 A durante 2 segundos, y luego se detendrá 1 segundo. Este ciclo se repite durante 10 minutos. Tras el proceso de reacondicionamiento, el cargador volverá a medir la tensión de la batería.

- Si la tensión ahora supera los 10,5 V, se iniciará automáticamente el proceso de carga de 12 V.
- Si la tensión todavía es inferior a 10,5 V, se considera que la batería es defectuosa. La carga se detendrá y la pantalla mostrará "Err" para indicar que se ha producido un error.

4. MANTENIMIENTO



Desenchufe siempre el cable de alimentación de la toma de corriente antes de trabajar en el cargador de baterías.

Sustitución del fusible (Fig. B1, B2)

Siga los siguientes pasos para sustituir el fusible del cargador:

- Desenchufe el cable de alimentación de la toma de corriente.
- Retire la tapa del fusible (8) presionando el costado de la tapa.
- Desenrosque el fusible con una llave de tuercas o de vaso.
- Sustituya el fusible.

Limpieza

- Limpie las partes metálicas y de plástico de la máquina con un paño seco.
- No utilice productos de limpieza abrasivos.
- No utilice disolventes tales como gasolina, alcohol, amoníaco, etc.

MEDIOAMBIENTE



Los aparatos eléctricos o electrónicos defectuosos y/o desechados deben recogerse en lugares de reciclado apropiado.

Solo para países de la Comunidad Europea

No elimine las herramientas eléctricas como residuos domésticos. De acuerdo con la Directiva europea 2012/19/CE sobre residuos de aparatos eléctricos y electrónicos, y su transposición a las legislaciones nacionales, las herramientas eléctricas que ya no se utilizan deben recogerse por separado y eliminarse en modo ecológico.

GARANTÍA

Los productos VONROC han sido fabricados con los estándares de calidad más elevados y garantizamos que están exentos de defectos relacionados con los materiales y la mano de obra durante el período legalmente establecido a partir de la fecha de compra original. Si, durante este período, el producto presenta algún fallo de los materiales y/o la mano de obra, póngase en contacto directamente con VONROC.

Las siguientes circunstancias están excluidas de esta garantía:

- Si se han realizado o se ha intentado realizar reparaciones o alteraciones en la máquina por parte de centros de servicio no autorizados;
- Desgaste normal;
- La herramienta ha sido usada impropiaemente, mal utilizada o mantenida incorrectamente;
- Si se han utilizado piezas de repuesto no originales.

Esta constituye la única garantía, expresa e implícita, ofrecida por la empresa. No existen otras garantías expresas ni implícitas distintas a la especificada en el presente documento, incluidas las garantías implícitas de comerciabilidad y de adecuación a un propósito particular. VONROC no será responsable bajo ninguna circunstancia de ningún daño incidental o consecutivo. Los recursos de los distribuidores están limitados a la reparación o sustitución de las unidades o piezas no conformes.

El producto y el manual de usuario están sujetos a variaciones. Las especificaciones pueden variarse sin aviso previo.

1. ISTRUZIONI DI SICUREZZA

Leggere le avvertenze di sicurezza contenute in questo manuale, le avvertenze di sicurezza aggiuntive e le istruzioni. La mancata osservanza delle avvertenze e istruzioni di sicurezza potrebbe dar luogo a scosse elettriche, incendi e/o lesioni personali gravi. Conservare le avvertenze di sicurezza e le istruzioni per riferimenti futuri.

I simboli riportati di seguito vengono utilizzati all'interno del manuale per l'utilizzatore o sul prodotto:



Leggere il manuale per l'utilizzatore.



Denota il rischio di lesioni personali, morte o danni all'apparecchio in caso di mancata osservanza delle istruzioni contenute in questo manuale.



Indica il pericolo di scosse elettriche.



Indica il pericolo di esplosione.



Non smaltire il prodotto in contenitori non idonei.



Il prodotto è conforme alle norme di sicurezza applicabili ai sensi delle direttive europee vigenti.

AVVERTENZE DI SICUREZZA GENERALI PER GLI ELETTROUTENSILI



AVVERTENZA! Leggere tutte le avvertenze di sicurezza e tutte le istruzioni. La mancata osservanza delle avvertenze e delle istruzioni può dar luogo a scosse elettriche, incendio e/o lesioni gravi.

Conservare tutte le avvertenze e le istruzioni per riferimenti futuri.

Il termine "elettroutensile" che ricorre nelle avvertenze si riferisce a un dispositivo alimentato tramite la rete elettrica (con filo) o a batteria (senza filo).

1) Sicurezza dell'area di lavoro

- Mantenere l'area di lavoro pulita e ben illuminata.** Gli ambienti disordinati o scarsamente illuminati favoriscono gli incidenti.
- Evitare di usare gli elettroutensili in ambienti esposti al rischio di esplosione, come ad esem-**

pio in presenza di liquidi, gas o polveri infiammabili. Gli elettroutensili generano scintille che possono incendiare polveri o fumi.

- Tenere lontani bambini e altre persone presenti nelle vicinanze mentre si usa un elettroutensile.** Le distrazioni possono causare la perdita di controllo.

2) Sicurezza elettrica

- Le spine dell'elettroutensile devono essere adatte alla presa di corrente. Non modificare la spina in alcun modo. Non utilizzare spine con adattatore per un elettroutensile dotato di messa a terra.** Per ridurre il rischio di scosse elettriche evitare di modificare le spine e utilizzare sempre le prese di corrente appropriate.
- Evitare il contatto fisico con superfici collegate a terra, come tubi, radiatori, forni e frigoriferi.** Se il corpo dell'utilizzatore è collegato a terra, il rischio di scosse elettriche aumenta.
- Non esporre gli elettroutensili alla pioggia o all'umidità.** Se dovesse penetrare dell'acqua all'interno dell'elettroutensile, il rischio di scosse elettriche aumenta.
- Non utilizzare il cavo di alimentazione in modo improprio. Non spostare, tirare o scollegare mai l'elettroutensile dalla presa di corrente tirandolo dal cavo. Tenere il cavo di alimentazione lontano da fonti di calore, olio, bordi taglienti o parti in movimento.** Se il cavo di alimentazione è danneggiato o impigliato, il rischio di scossa elettrica aumenta.
- Quando l'elettroutensile viene usato all'aperto, utilizzare unicamente prolunghe omologate per l'impiego all'esterno.** L'uso di un cavo idoneo per esterni riduce il rischio di scosse elettriche.
- Se non è possibile evitare di utilizzare un elettroutensile in una zona umida, collegarsi a una rete elettrica protetta da un interruttore differenziale salvavita (RCD).** L'uso di un salvavita riduce il rischio di scosse elettriche.

3) Sicurezza personale

- Quando si utilizza un elettroutensile evitare di distrarsi. È importante concentrarsi su quello che si sta facendo e usare il buon senso. Non utilizzare l'elettroutensile quando si è stanchi o sotto l'effetto di sostanze stupefacenti, alcool o medicinali.** Un solo attimo di distrazione durante l'uso di un elettroutensile potrebbe provocare gravi lesioni personali.

- b) **Indossare dispositivi di protezione individuale. Indossare sempre occhiali di sicurezza.** L'impiego di dispositivi di protezione individuale, quali maschere antipolvere, scarpe antinfortunistiche antiscivolo, elmetti di sicurezza o protezioni per l'udito, nelle condizioni opportune, consente di ridurre le lesioni personali.
- c) **Prevenire l'avvio accidentale. Accertarsi che l'interruttore sia nella posizione di spegnimento, prima di collegare l'elettrotensile alla rete elettrica e/o alla batteria, di prenderlo in mano o di trasportarlo.** Per non esporsi al rischio di incidenti, non trasportare l'elettrotensile tenendo le dita sull'interruttore e non collegarlo a una fonte di alimentazione elettrica con l'interruttore in posizione di accensione.
- d) **Prima di accendere l'elettrotensile rimuovere eventuali chiavi o utensili di regolazione.** Un attrezzo di regolazione o una chiave inseriti in una parte rotante dell'elettrotensile possono provocare lesioni personali.
- e) **Non sbilanciarsi. Mantenere sempre un appoggio e un equilibrio adeguati.** In tal modo è possibile mantenere un migliore controllo dell'elettrotensile nelle situazioni impreviste.
- f) **Indossare indumenti adeguati. Non indossare abiti larghi o gioielli. Tenere i capelli, gli indumenti e i guanti lontano dalle parti mobili.** Abiti larghi, gioielli o capelli lunghi possono impigliarsi nelle parti in movimento.
- g) **Se gli elettrotensili sono provvisti di attacchi per il collegamento di dispositivi di aspirazione o di raccolta delle polveri, assicurarsi che essi siano installati e utilizzati correttamente.** L'impiego di dispositivi di aspirazione delle polveri può ridurre i pericoli legati alle stesse.
- h) **Non lasciare che la confidenza acquisita dall'uso frequente induca l'utilizzatore ad assumere comportamenti imprudenti e a ignorare i principi di sicurezza per l'apparecchio.** Un'azione imprudente potrebbe provocare lesioni personali gravi in una frazione di secondo.
- 4) **Uso e cura dell'elettrotensile**
- a) **Non forzare l'elettrotensile. Utilizzare l'elettrotensile corretto per il lavoro da svolgere.** L'elettrotensile corretto funziona meglio e in modo più sicuro, se utilizzato alla velocità per cui è stato progettato.
- b) **Non utilizzare l'elettrotensile se il rispettivo interruttore di accensione/spegnimento non funziona.** Qualsiasi elettrotensile che non possa essere controllato tramite l'interruttore è pericoloso e deve essere riparato.
- c) **Scollegare la spina dalla presa di corrente e/o il pacco batteria dall'elettrotensile prima di effettuare qualsiasi tipo di regolazione, cambiare gli accessori o ripararlo.** Queste misure di sicurezza preventive riducono il rischio di azionare accidentalmente l'elettrotensile.
- d) **Quando non vengono usati, gli elettrotensili devono essere custoditi fuori dalla portata dei bambini. Non consentire l'uso dell'elettrotensile a persone inesperte o che non abbiano letto questo manuale di istruzioni.** Gli elettrotensili sono pericolosi in mano a persone inesperte.
- e) **Sottoporre gli elettrotensili a regolare manutenzione. Verificare che le parti mobili siano correttamente allineate e non inceppate, che non vi siano componenti rotti e che non sussistano altre condizioni che possono compromettere il funzionamento dell'elettrotensile. Se l'elettrotensile dovesse essere danneggiato, farlo riparare prima dell'uso.** Molti incidenti sono provocati da elettrotensili non sottoposti a una corretta manutenzione.
- f) **Mantenere affilati e puliti gli utensili da taglio.** La manutenzione corretta degli utensili da taglio con bordi affilati riduce le probabilità di inceppamento e ne facilita il controllo.
- g) **Utilizzare l'elettrotensile, gli accessori, le punte, ecc. in conformità a queste istruzioni, tenendo conto delle condizioni operative e del lavoro da eseguire.** L'utilizzo dell'elettrotensile per impieghi diversi da quelli previsti può provocare situazioni di pericolo.
- h) **Mantenere le impugnature e le superfici di presa asciutte, pulite e libere da olio e grasso.** Impugnature e superfici di presa scivolose non consentono di maneggiare e controllare in sicurezza l'elettrotensile in situazioni impreviste.
- 5) **Uso e cura dell'utensile a batteria**
- a) **Ricaricare la batteria esclusivamente con il caricabatterie specificato dal produttore.** Un caricabatterie adatto a un determinato tipo di pacco batteria può provocare il rischio di incendio se utilizzato con un pacco batteria diverso.
- b) **Gli elettrotensili devono essere usati esclusivamente con i tipi di batterie specificatamente indicati.** L'uso di qualsiasi altro pacco batteria

comporta il rischio di lesioni personali e d'incendio.

- c) **Quando il pacco batteria non viene utilizzato, tenerlo lontano da oggetti metallici, come fermagli, monete, chiavi, chiodi, viti o altri piccoli oggetti di metallo, che potrebbero provocare un contatto dei terminali.** Se i morsetti della batteria vengono cortocircuitati potrebbero provocare ustioni o un incendio.
- d) **In condizioni di sovraccarico, potrebbe fuoriuscire del liquido dalla batteria: evitare il contatto. In caso di contatto, sciacquare con abbondante acqua. Se il liquido dovesse entrare a contatto con gli occhi, rivolgersi anche a un medico.** Il liquido fuoriuscito dalla batteria può causare irritazione o ustioni.
- e) **Non utilizzare un pacco batterie o l'utensile se danneggiati o manomessi.** Pacchi batterie danneggiati o manomessi potrebbero avere comportamenti imprevisti con il rischio di incendiarsi, esplodere o provocare lesioni a persone.
- f) **Non esporre un pacco batteria o l'utensile al fuoco o a temperature troppo elevate.** L'esposizione alle fiamme o a temperature superiori a 130 °C potrebbe provocare un'esplosione.
 NOTA: la temperatura di "130 °C" corrisponde a "265 °F".
- g) **Seguire tutte le istruzioni per la carica e non caricare il pacco batterie o l'utensile a temperature che non rientrino nell'intervallo specificato nelle istruzioni.** Una carica effettuata in maniera scorretta o a una temperatura che non rientra nell'intervallo di valori specificato, potrebbe danneggiare la batteria aumentando il rischio d'incendio.

6) Assistenza

- a) **L'assistenza per l'elettrodomestico deve essere prestata da un tecnico qualificato che utilizzi soltanto ricambi originali.** In questo modo viene garantita la sicurezza dell'elettrodomestico.
- b) **Non tentare di riparare pacchi batterie danneggiati.** La riparazione dei pacchi batteria deve essere effettuata esclusivamente dal produttore o presso centri di assistenza autorizzati.

ISTRUZIONI DI SICUREZZA AGGIUNTIVE RIGUARDANTI IL CARICABATTERIE

Il caricabatterie è stato progettato tenendo conto dei requisiti di sicurezza durante l'uso. Qualsiasi modifica, adattamento, conversione o altro genere di utilizzo potrebbe compromettere la sicurezza dell'apparecchio. Inoltre, ciò comporterebbe la perdita di validità della garanzia.



Tenere fuori dalla portata dei bambini!

- Prevenire situazioni di pericolo per la vita e il rischio di lesioni dovute a un uso improprio!
- Evitare di utilizzare il dispositivo se i cavi, i cavi della rete elettrica e la spina sono danneggiati. Un cavo di rete danneggiato costituisce un pericolo per la vita per via delle scosse elettriche.
- Il cavo di alimentazione può essere riparato solo da tecnici autorizzati e opportunamente addestrati! In caso di necessità di una riparazione, contattare il servizio di assistenza del proprio Paese
- Pericolo di scosse elettriche! Per le batterie fisse su un veicolo, assicurarsi che il veicolo sia spento! Spegnerne il motore e parcheggiare il veicolo con freno a mano tirato (nel caso, ad esempio, di un'automobile) o con una fune fissata (nel caso, ad esempio, di un'imbarcazione elettrica)!
- Pericolo di scosse elettriche! Scollegare il caricabatterie per auto dalla rete elettrica prima di collegare i connettori o di rimuoverli dalla stessa.
- Per prima cosa collegare il morsetto non connesso alla carrozzeria dell'automobile.
- Collegare l'altro morsetto alla carrozzeria dell'auto, a una certa distanza dalla batteria e dal tubo del carburante. Collegare il caricabatterie per auto alla rete elettrica solo in un seguito.
- Una volta completata la carica scollegare il caricabatterie per auto dalla rete elettrica.



Pericolo di scosse elettriche! Toccare i cavi di connessione terminali ("-" e "+") solo nell'area isolata!

- Pericolo di scosse elettriche! Stabilire un collegamento con la batteria e la presa di corrente completamente protetta dall'umidità.

- Pericolo di scosse elettriche! Assemblare il caricabatterie per auto, eseguire la manutenzione e la cura di esso solamente con il caricabatterie scollegato dall'alimentazione!
- Pericolo di scosse elettriche! Una volta completato il processo di carica e scarica, nelle batterie installate stabilmente sui veicoli, scollegare per primo il cavo di collegamento del terminale negativo del caricabatterie (nero) dal terminale negativo della batteria.
- Non lasciare i bambini senza sorveglianza nei pressi del caricabatterie per auto!
- I bambini non sono ancora in grado di comprendere il pericolo potenziale derivante dalla manipolazione degli apparecchi elettrici. Sorvegliare sempre i bambini in modo da evitare che giochino con l'apparecchio.



Pericolo di esplosione! *Proteggere se stessi dalla reazione altamente esplosiva di idrogeno-ossigeno! Durante la carica e la carica di mantenimento la batteria potrebbe rilasciare idrogeno gassoso. La miscela ossidrica è altamente esplosiva e contiene idrogeno e ossigeno in forma gassosa. Il contatto con fiamme libere (fuoco, braci o scintille) causerà la cosiddetta reazione ossidrica! Eseguire la carica e la carica di mantenimento in un ambiente ben ventilato, protetto dagli agenti atmosferici. Accertarsi che non vi siano fiamme libere durante la carica o la carica di mantenimento!*

- Pericolo di esplosione e di incendio! Assicurarsi che non sussista il pericolo di ignizione di materiali esplosivi o infiammabili, come carburante o solventi durante l'utilizzo del caricabatterie!
 - Gas esplosivi! Evitare fiamme e scintille!
 - Assicurare una ventilazione adeguata durante la carica.
 - Posizionare la batteria su una superficie ben arieggiata durante la carica. Ignorando questa avvertenza l'apparecchio potrebbe subire danni.
- Pericolo di esplosione!** *Assicurarsi che il cavo di collegamento del terminale positivo non venga a contatto con le tubazioni del carburante.*
- Pericolo di ustioni chimiche! Proteggere gli occhi e la cute contro la corrosione da acidi in caso di contatto con la batteria!
 - Indossare occhiali, indumenti e guanti di protezione resistenti agli acidi! In caso di contatto di occhi e cute con l'acido solforico, sciacquare la zona del corpo interessata con acqua fresca e consultare immediatamente un medico!
 - Evitare cortocircuiti elettrici durante il collegamento del caricabatterie alla batteria. Collegare il cavo di collegamento del terminale negativo solamente al terminale negativo della batteria o alla carrozzeria dell'auto. Collegare il cavo di collegamento del terminale positivo solamente al terminale positivo della batteria!
 - Prima del collegamento alla rete, verificare che la rete abbia la necessaria tensione di 230 V~ 50 Hz, e che sia provvista di un conduttore neutro, di un fusibile da 16 A e di un interruttore ELCB (interruttore differenziale)! Ignorando questa indicazione l'apparecchio potrebbe subire danni.
 - Non posizionare il caricabatterie vicino a fiamme e non esporlo a calore e temperature superiori a 50 °C per un periodo prolungato! La potenza di uscita del caricabatterie si abbassa automaticamente in presenza di temperature elevate.
 - Accertarsi che le tubazioni del carburante, i cavi elettrici e i tubi idraulici e pneumatici non siano danneggiati dalle viti durante l'assemblaggio del caricabatterie! In caso contrario sussiste il pericolo di morte o lesioni!
 - Utilizzare il caricabatterie unicamente con i componenti originali in dotazione!
 - Non coprire il caricabatterie con degli oggetti! Ignorando questa indicazione l'apparecchio potrebbe subire danni.
 - Proteggere le superfici dei contatti elettrici della batteria da cortocircuito!
 - Utilizzare il caricabatterie per auto unicamente per la carica e il mantenimento in carica di batterie al piombo-acido da 6 V / 12 V (con soluzione elettrolitica o gel)! In caso contrario potrebbero verificarsi danni materiali.
 - Non utilizzare il caricabatterie per auto per caricare o mantenere in carica batterie non ricaricabili. In caso contrario potrebbero verificarsi danni materiali.
 - Non utilizzare il caricabatterie per auto per caricare o mantenere in carica batterie danneggiate o congelate! In caso contrario potrebbero verificarsi danni materiali.
 - Prima di collegare il caricabatterie consultare le istruzioni per l'uso originali della batteria per

informazioni per la manutenzione della stessa!
In caso contrario sussiste il pericolo di lesioni e/o danni all'apparecchio.

- Prima di collegare il caricabatterie a una batteria collegata in modo stabile a un veicolo, consultare le istruzioni per l'uso del veicolo per ottenere informazioni in merito al mantenimento della sicurezza elettrica e alla manutenzione! In caso contrario sussiste il pericolo di lesioni e danni materiali.
- Scollegare il caricabatterie dalla rete elettrica quando non viene utilizzato per ragioni di tutela ambientale! Si ricordi che anche il funzionamento in standby comporta un consumo di energia.
- Essere sempre vigili e fare sempre attenzione a quello che si fa. Procedere sempre con cautela e non utilizzare il caricabatterie per auto se non ci si sente confusi o non si sta bene.

2. INFORMAZIONI RELATIVE ALL'APPARECCHIO

Usò previsto

Questo apparecchio è progettato per caricare una serie di batterie al piombo-acido sigillate (SLA) utilizzate soprattutto su automobili, motocicli e alcuni altri veicoli. Sono supportate batterie di tipo tradizionale, "deep-cycle", al gel o al piombo-acido AGM. L'apparecchio è progettato in modo da consentire la carica della batteria fino a quasi il 100% della sua capacità.

DATI TECNICI

Codice modello	BC501AC
Tensione di rete	230 V~
Frequenza di rete	50 Hz
Potenza assorbita	350 W
Corrente inversa (nessun ingresso AC)	<5 mA
Tensione nominale in uscita	6 V / 12 V
Corrente di carica	2 A / 6 A / 15 A +/-10%
Tipi di batterie supportate	Tradizionali / "deep cycle" / al gel / AGM
Capacità batterie supportate	8-210 Ah
Grado di protezione	IP20
Corrente Avviamento di emergenza	75 A max.
Intervallo di utilizzo Avviamento di emergenza	3 s. ON / 180 s. OFF

DESCRIZIONE

I numeri che compaiono nel testo si riferiscono alle figure riportate a pagina 2.

1. Tasto DISPLAY (Visualizzazione)
2. Tasto BATTERY TYPE (Tipo batteria)
3. Tasto MODE (Modalità)
4. Morsetto terminale negativo (-)
5. Morsetto terminale positivo (+)
6. Display digitale
7. Cavo di alimentazione
8. Fusibile con coperchio

3. FUNZIONAMENTO



Disinserire la spina dalla presa di corrente prima di eseguire qualsiasi intervento sul caricabatterie. Rischio di scosse elettriche! Rischio di danni materiali! Rischio di lesioni personali!

Collegamento

- Prima di caricare e sottoporre a carica di mantenimento una batteria collegata in modo stabile a un veicolo scollegare innanzitutto il cavo di collegamento del terminale negativo della batteria dal veicolo.
- Successivamente scollegare il terminale positivo della batteria dal veicolo.
- Solo a questo punto collegare il morsetto positivo (rosso) del caricabatterie (5) al terminale positivo (+) della batteria.
- Infine, collegare il morsetto negativo (nero) del caricabatterie (4) al terminale negativo (-) della batteria.

Nota: se i connettori a morsetto sono collegati correttamente, sul display (6) viene visualizzata la tensione e si accende la spia a fianco della scritta "Connected" (Collegati).

In caso di inversione dei poli accidentale, sul display (6) comparirà l'indicazione "0.0" e la spia a fianco della scritta "+/- Error" (Errore +/-) si illuminerà per segnalare un errore di polarità.

Sconnessione

- Innanzitutto, scollegare il caricabatterie dalla rete elettrica.
- Staccare il morsetto negativo (nero) (4) dal terminale della batteria.
- Staccare il morsetto positivo (rosso) (5) dal terminale della batteria.

- Ricollegare il terminale positivo della batteria al connettore positivo del veicolo.
- Ricollegare il terminale negativo della batteria al connettore negativo del veicolo.

Selezione della modalità di carica

È possibile caricare vari tipi di batterie a temperature ambientali differenti, utilizzando modalità di carica diverse. Il processo di carica sicuro protegge contro il collegamento difettoso e cortocircuiti. L'elettronica integrata non attiva immediatamente il caricabatterie per automobile dopo il collegamento, ma solamente dopo la selezione della modalità di carica.

- Nel caso in cui si illumini la spia a fianco di "+/- Error", verificare se i morsetti (4 e 5) sono collegati correttamente alla batteria e se è stato selezionato il tipo di batteria corretto sul caricabatterie.

Tasto DISPLAY (1)

Premere questo tasto per passare da una modalità di visualizzazione all'altra in sequenza. La modalità di visualizzazione selezionata è indicata dalle spie accanto al tasto. Sono disponibili le modalità seguenti:

- Battery % (% di carica batteria): sul display viene visualizzato lo stato di carica corrente della batteria collegata, che va da 0% (batteria scarica) a 100% (carica completa)
- Voltage (Tensione): sul display viene visualizzata la tensione della batteria collegata
- Alternator % (% potenza in uscita alternatore): sul display viene visualizzata la potenza in uscita del caricabatterie, che va da 0% (nessuna potenza) a 100% (piena potenza)

Tasto BATTERY TYPE (2)

Premere questo tasto per passare da un tipo di batteria all'altro in sequenza.



Prima di avviare il processo di carica prestare attenzione a scegliere il tipo di batteria corretto. Il tipo di batteria corrente selezionato è indicato dalle spie accanto al tasto BATTERY TYPE (2).

Sono supportati i tipi di batterie seguenti:

- tradizionale da 12 V
- "deep cycle" da 12 V
- al gel / AGM da 12 V
- tradizionale da 6 V

Nota: dopo aver collegato il caricabatterie, quest'ultimo stabilisce automaticamente la tensione della batteria. Nel caso in cui il caricabatterie identifichi erroneamente una batteria da 12 V come una batteria da 6 V, significa che la batteria è difettosa e/o eccessivamente scarica. Le batterie difettose devono essere sostituite. Non tentare di caricare una batteria difettosa.

Tasto MODE (3)

Premere questo tasto per passare da una modalità all'altra in sequenza. È possibile scegliere tra le seguenti modalità:

- Fast charge: carica rapida della batteria. Impostazione consigliata in condizioni di bassa temperatura ambientale.
- Normal charge: processo di carica normale.
- Start (Avviamento): eroga per breve tempo una corrente elevata per avviare un veicolo la cui batteria sia debole o completamente scarica.

Uso della modalità di avviamento di sicurezza

Nota: è possibile uscire da questa modalità solo disinserendo la spina del cavo di alimentazione (7) dalla presa di corrente.



AVVERTENZA! Effettuare tutti i collegamenti nell'ordine corretto in base a quanto descritto in questo manuale. In caso contrario l'elettronica del veicolo potrebbe essere danneggiata. Disattendendo le specifiche, si procede a proprio rischio e pericolo. La modalità di avviamento di emergenza non è adatta nel caso di batterie con capacità inferiore a 45 Ah. L'uso di questa modalità con una batteria con capacità inferiore a 45 Ah potrebbe danneggiare la batteria. Occorre tenere presente che alcuni motori diesel e a benzina di grande cilindrata richiedono una corrente di avviamento superiore al valore massimo supportato da questo apparecchio (75 A). Se la batteria è completamente scarica, una corrente massima di 75 A potrebbe non essere sufficiente per avviare questo tipo di motori.

Nel caricabatterie è presente un programma di analisi per prevenire danni alla batteria (per esempio la solfatazione o i cali di tensione improvvisi), in particolare durante l'avviamento di emergenza.

L'apparecchio non avvia il dispositivo di avviamento di emergenza in caso di batterie completamente scariche o pesantemente sollecitate per proteggere la batteria. Durante questo processo la batteria viene caricata con un basso livello di corrente e la spia a fianco della scritta "Charging" (In carica) si accende. Sul display continua a essere visualizzato il valore "0". In tal caso la funzione di avviamento di emergenza non può essere utilizzata per evitare danni alla batteria. Si consiglia di caricare la batteria utilizzando la modalità di carica normale o rapida per un po' di tempo prima di tentare di usare nuovamente la funzione di avviamento di emergenza.

- Collegare la spina del cavo di alimentazione (7) alla presa di corrente.
- Collegare il morsetto positivo (rosso) (5) al terminale positivo (+) della batteria.
- Collegare il morsetto negativo (nero) (4) al terminale negativo (-) della batteria.
- Se i morsetti terminali sono collegati correttamente il caricabatterie seleziona automaticamente il tipo di batteria corretto.
- Controllare la spia del tipo di batteria e, se necessario, regolarlo premendo il tasto BATTERY TYPE (2).
- A questo punto selezionare la modalità "Start" agendo sul tasto MODE (3). Il caricabatterie analizzerà il livello di carica della batteria e sul display (6) sarà visualizzato il valore "0".
- Avviare il sistema di accensione del veicolo. Sul display comparirà un conto alla rovescia di 5 secondi: 2 secondi per adescamento/analisi seguiti da 3 secondi di avviamento.
- Durante il conto alla rovescia il caricabatterie erogherà per breve tempo 75 A di corrente per mettere in moto il motore. Il conto alla rovescia è seguito da una pausa di 180 secondi per proteggere la batteria.
- Dopo la pausa di 180 secondi il ciclo ripartirà (2 secondi per l'adescamento, 3 secondi per l'avviamento, 180 secondi di pausa) e si potrà tentare di avviare di nuovo il motore.
- Per scollegare il caricabatterie staccare per primo il morsetto negativo (nero) (4) dal terminale della batteria, quindi rimuovere il morsetto positivo (rosso) (5) dal terminale della batteria.

Ricondizionamento della batteria

Le batterie da 12 V molto scariche vengono ricondizionate dal caricabatterie prima che venga

avviato il processo di ricarica vero e proprio. Se la tensione della batteria è compresa tra 8,5 e 10,5 V, il caricabatterie entra automaticamente in modalità di ricondizionamento. Durante il processo di ricondizionamento, la spia a fianco della scritta "Charging" lampeggia e il caricabatterie carica la batteria con una corrente di carica di 2A per 2 secondi, per poi fermarsi 1 secondo. Questo ciclo si ripete per 10 minuti. Una volta concluso il processo di ricondizionamento il caricabatterie misura di nuovo la tensione della batteria.

- Se la tensione a quel punto è superiore a 10,5 V, il processo di carica a 12 V parte in automatico.
- Se la tensione è ancora inferiore a 10,5 V, la batteria è considerata difettosa. Il processo di carica si interrompe e sul display compare l'indicazione di errore "Err".

4. MANUTENZIONE



Scollegare sempre la spina del cavo di alimentazione dalla presa di corrente prima di qualsiasi intervento sul caricabatterie.

Sostituzione del fusibile (Fig. B1, B2)

Per sostituire il fusibile del caricabatterie compiere i passaggi seguenti:

- scollegare la spina del cavo di alimentazione dalla presa di corrente;
- togliere il coperchio del fusibile (8) premendolo sul lato;
- svitare il fusibile con una chiave o una bussola adatte;
- sostituire il fusibile.

Pulizia

- Pulire le parti in metallo e plastica dell'apparecchio con un panno asciutto.
- Non usare detergenti abrasivi.
- Non usare solventi come benzina, alcol, ammoniac, ecc.

TUTELA AMBIENTALE



Le apparecchiature elettriche o elettroniche difettose e/o scartate devono essere raccolte presso gli opportuni siti di riciclaggio.

Solo per i Paesi CE

Non smaltire gli elettrodomestici insieme ai rifiuti domestici. Secondo la Direttiva europea 2012/19/EC sui rifiuti delle apparecchiature elettriche ed elettroniche e relativa implementazione nelle normative locali, gli elettrodomestici ormai inutilizzabili devono essere raccolti separatamente e smaltiti in modo ecologico.

GARANZIA

I prodotti VONROC sono sviluppati secondo gli standard di qualità più elevati e sono garantiti esenti da difetti sia per quanto riguarda i materiali che la lavorazione per il periodo stabilito per legge a decorrere dalla data di acquisto iniziale. Se durante questo periodo il prodotto dovesse presentare dei difetti di materiali e/o di lavorazione, contattare direttamente VONROC.

Le seguenti circostanze sono escluse dalla garanzia:

- esecuzione o tentativo di esecuzione di riparazioni o modifiche all'apparecchio da parte di personale di centri di assistenza non autorizzati;
- usura normale;
- maltrattamento, uso improprio o manutenzione inadeguata dell'apparecchio;
- impiego di ricambi non originali.

La presente costituisce l'unica garanzia espressa o implicita fornita dall'azienda. Non sono concesse altre garanzie, espresse o implicite, oltre a quelle descritte in questo manuale, ivi comprese le garanzie implicite di commerciabilità e di idoneità a uno scopo particolare. In nessun caso VONROC sarà ritenuta responsabile di alcun danno incidentale o consequenziale. I rimedi offerti dai rivenditori si limiteranno alla riparazione o alla sostituzione delle unità o dei componenti non conformi.

Il prodotto e il manuale per l'utilizzatore sono soggetti a modifiche. I dati tecnici possono essere modificati senza ulteriore notifica.

1. SÄKERHETSANVISNINGAR

Läs de medföljande säkerhetsvarningarna, de kompletterande säkerhetsvarningarna och anvisningarna. Underlåtenhet att följa säkerhetsvarningarna och anvisningarna kan orsaka elstöt, brand och/eller allvarlig skada. Spara säkerhetsvarningarna och anvisningarna för framtida referens.

Följande symboler används i användarhandboken eller på produkten:



Läs användarhandboken.



Anger risk för personskada, dödsfall eller skada på verktyget om anvisningarna i denna handbok inte följs.



Anger risk för elstötar.



Indikerar explosionsrisk.



Kassera inte produkten i olämpliga containrar.



I enlighet med gällande säkerhetsstandarder och europeiska direktiv.

ALLMÄNNA SÄKERHETSFORESKRIFTER FÖR ELVERKTYG

WARNING! Läs alla säkerhetsvarningar och alla anvisningar. Underlåtenhet att följa varningar och instruktioner kan resultera i elstötar, brand och/eller allvarliga skador.

Spara alla varningar och instruktioner för framtida referens.

Termen "elverktyg" i varningarna hänvisar till ditt elverktyg (med sladd) eller batteridrivet (sladdlöst) elverktyg.

1) Arbetsplats säkerhet

- a) **Håll arbetsplatsen ren och välbelyst.** Belamrade eller mörka områden inbjuder till olyckor.
- b) **Använd inte elektriska verktyg i explosiva atmosfärer, såsom i närvaro av lättantändliga vätskor, gaser eller damm.** Elverktyg skapar gnistor som kan antända damm eller ångor.
- c) **Håll barn och åskådare borta medan du arbetar med ett elverktyg.** Om du blir distraherad kan du tappa kontrollen.

2) Elsäkerhet

- a) **Verktygets elkontakt måste passa till vägguttaget. Ändra inte kontakten på något sätt. Använd inte adapterkontakter med jordade elverktyg.** Omodifierade kontakter och matchande uttag minskar risken för elektrisk stöt.
- b) **Undvik kroppskontakt med jordade ytor såsom rör, värmeelement, spisar och kylskåp.** Det finns en ökad risk för elektrisk stöt om din kropp är jordansluten eller jordad.
- c) **Utsätt inte elektriska verktyg för regn eller vata.** Vatten som tränger in i ett elverktyg ökar risken för elstötar.
- d) **Hantera inte elkabeln felaktigt. Använd aldrig sladden för att bära, dra eller koppla bort elverktyget från uttaget. Håll sladden borta från värme, olja, vassa kanter eller rörliga delar.** Skadade eller tilltrasslade sladdar ökar risken för elektrisk stöt.
- e) **När du arbetar med ett elverktyg utomhus, använd en förlängningssladd som passar för utomhusanvändning.** Användning av en sladd som passar för utomhusanvändning minskar risken för elektrisk stöt.
- f) **Om arbete med ett elverktyg i en fuktig lokal är oundvikligt, använd ett uttag som är skyddat med jordfelsbrytare.** Användning av jordfelsbrytare minskar risken för elstötar.

3) Personlig säkerhet

- a) **Var uppmärksam, kontrollera vad du gör och använd sunt förnuft när du arbetar med ett elektriskt verktyg. Använd inte ett elverktyg när du är trött eller påverkad av droger, alkohol eller medicinering.** Ett ögonblicks uppmärksamhet under arbetet kan resultera i allvarliga personskador.
- b) **Använd personlig skyddsutrustning. Bär alltid ögonskydd.** Skyddsutrustning såsom dammfilterskydd, halksäkra säkerhetsskor, skyddshjälm eller hörselskydd som används för lämpliga förhållanden minskar personskador.
- c) **Förebygg oavsiktlig igångsättning. Se till att strömbrytaren är i avstängd position innan anslutning till strömkällan och/eller batteriet, verktyget lyfts upp eller bärs.** Om du bär elverktyg med ditt finger på strömbrytaren eller ansluter ett påkopplat elverktyg till nätströmmen kan en olycka inträffa.
- d) **Avlägsna eventuell justeringsnyckel eller skiftnyckel innan du sätter på elverktyget.**

En skiftnyckel eller en nyckel som sitter kvar på en roterande del av elverktyget kan resultera i personskada.

- e) **Böj dig inte för långt. Bibehåll alltid ordentligt fotfäste och balans.** Detta möjliggör bättre kontroll av elverktyget i oväntade situationer.
- f) **Bär lämpliga kläder. Använd inte vida kläder eller smycken. Håll hår, kläder och handskar borta från rörliga delar.** Lösa kläder, smycken eller långt hår kan fastna i rörliga delar.
- g) **Om enheten är försedd med anslutning av dammsug och uppsamlingsmöjlighet, se till att dessa är anslutna och används korrekt.** Dammpptagning minskar dammrelaterade risker.
- h) **Låt inte erfarenheten som uppnås vid frekvent användning av verktyg låta dig bli för självsäker och ignorera verktygsäkerhetsprinciperna.** En oförsiktig handling kan orsaka allvarliga skador under bråkdelen av en sekund.

4) Användning och skötsel av elverktyg

- a) **Bruka inte våld när du använder elverktyget. Använd rätt slags elektriska verktyg för ditt arbete.** Rätt elverktyg gör arbetet bättre och säkrare vid den hastighet som det har konstruerats för.
- b) **Använd inte elverktyget om strömbrytaren inte sätter på och stänger av det.** Ett elverktyg som inte kan kontrolleras med strömbrytaren är farligt och måste repareras.
- c) **Dra ur kontakten från strömkällan och/eller batteriet från elverktyget innan du gör några justeringar, byter tillbehör, eller lägger undan elverktygen för förvaring.** Sådana förebyggande säkerhetsåtgärder minskar risken för att elverktyget startar oavsiktligt.
- d) **Förvara elverktyg oåtkomliga för barn och låt inte personer som är obekanta med verktyget eller dessa instruktioner använda verktyget.** Elektriska verktyg är farliga i händerna på oefarna användare.
- e) **Underhåll av elektriska verktyg. Kontrollera för feljustering eller om rörliga delar har fastnat, bristning hos delar och andra eventuella förhållanden som kan komma att påverka elverktygets funktion. Om det är skadat, se till att elverktyget blir reparerat före användning.** Många olyckor orsakas av dåligt underhållna elektriska verktyg.

- f) **Håll kapverktyg vassa och rena.** Korrekt underhållna kapverktyg med vassa kanter är mindre troliga att kärva och lättare att kontrollera.
- g) **Använd elverktyget, dess tillbehör och verktyg i enlighet med dessa instruktioner och under beaktande av arbetsförhållandena och det arbete som ska utföras.** Användningen av elverktyget för andra verksamheter än de som det är avsett för skulle kunna resultera i en farlig situation.
- h) **Se till att handtagen är torra, rena och fria från olja och fett.** Hala handtag och greppytor tillåter inte säker hantering och kontroll av verktyget i oväntade situationer.
- 5) Användning och skötsel av batteridrivna verktyg**
- a) **Ladda endast med den laddare som är specificerad av tillverkaren.** En laddare som passar till en typ av batteri kan ge upphov till brandfara när den används tillsammans med ett annat batteri.
- b) **Använd elverktygen enbart med det därtill avsedda batteriet.** Användning av andra batteri kan ge upphov till skaderisk och eldsvåda.
- c) **När batteriet inte används, håll det borta från andra metallföremål, såsom gem, mynt, nycklar, spikar, skruvar eller andra små metallföremål som kan skapa en förbindelse från ena polen till den andra.** Kortslutning av batteripolerna kan ge upphov till brännskador eller eldsvåda.
- d) **Vid felaktig hantering kan vätska komma ut från batteriet, undvik kontakt med denna. Spola med vatten vid oavsiktlig kontakt. Sök läkarhjälp om vätskan kommer i kontakt med ögon.** Vätska som kommer ut från batteriet kan orsaka irritation eller brännskada.
- e) **Använd inte batterier eller verktyg som är skadade eller modifierade.** Skadade eller modifierade batterier kan uppvisa oförutsägbart beteende som kan leda till brand, explosion eller risk för skada.
- f) **Utsätt inte batteri eller verktyg för eld eller överdriven temperatur.** Exponering för brand eller temperatur över 130 °C kan orsaka explosion. OBS! Temperaturen "130 °C" kan ersättas med temperaturen "265 °F".
- g) **Följ alla laddningsanvisningar och ladda inte batteriet eller verktyget utanför det temperaturområde som anges i instruktionerna.** Om du laddar batteriet felaktigt eller vid temperaturer utanför det angivna området kan det skada batteriet och öka risken för brand.

6) Service

- a) **Se till att ditt elverktyg får service av en kvalificerad reparatör, som endast använder identiska ersättningsdelar.** Detta säkerställer att elverktygets säkerhet upprätthålls.
- b) **Utför aldrig service på skadade batterier.** Service av batteri ska endast utföras av tillverkaren eller auktoriserade serviceleverantörer.

YTTERLIGARE SÄKERHETSINSTRUKTIONER FÖR BATTERILADDARE

I designen av batteriladdaren har kraven på säker användning tagits i beaktande. Varje förändring, anpassning, omvandling eller annan användning kan störa apparatens säkerhet. Dessutom kommer garantin inte längre att gälla på grund av detta.



Förvaras utom räckhåll för barn!

- Undvik livsfara och risken för personsador på grund av felaktig användning!
- Använd inte enheten om kablarna, elkabeln eller kontakterna är skadade. En skadad elkabel indikerar en livshotande fara på grund av elektrisk stöt.
- Låt endast auktoriserad och utbildad reparatör byta en skadad elkabel! Vid behov av reparation, kontakta servicecentret i ditt land
- Risk för elektrisk stöt! För batterier som är fast monterade i ett fordon, se till att fordonet är avstängt! Stäng av tändningen och placera fordonet i parkeringsläge med handbromsen åtdragen (t.ex. bil) eller med fast rep (t.ex. elektrisk båt)!
- Risk för elektrisk stöt! Koppla ifrån billaddaren från elnätet innan kontakterna anslut till eller tas bort från batteriet.
- Anslut först klämman som inte är ansluten till bilkarossen.
- Anslut den andra klämman till bilkarossen, undan från batteriet och bensinslangen. Anslut endast sedan billaddaren till strömförsörjningen.
- Koppla ifrån billaddaren från strömförsörjningen efter laddningen.



Risk för elektriska stötar! Vidrör endast de termiska anslutningskablarna ("-" och "+") i de isolerade områdena!

- Risk för elektrisk stöt! Se till att anslutningen till batteriet och elnätet är helt skyddat från fukt.
- Risk för elektrisk stöt! Montera, underhåll och vårda billaddaren endast när den är frånkopplad från elnätet!
- Risk för elektrisk stöt! När laddnings- och urladdningsprocessen är avslutad med batterier som är fast monterade i fordon skall först den negativa terminalanslutningen (svart) kopplas bort från batteriets negativa terminal.
- Lämna inte småbarn och barn utan tillsyn med billaddaren!
- Barn är här ännu inte möjlig att bedöma den potentiella faran med elektriska apparater. Ha alltid uppsyn över barn så att de inte leker med verktyget.
- Undvik elektrisk kortslutning när laddaren ansluts till batteriet. Anslut endast den negativa terminalanslutningskabeln till den negativa batteriterminalen eller bilkarossen. Anslut endast den positiva terminalanslutningskabeln till den positiva batteriterminalen!
- Innan anslutning till elnätet, se till att elnätet har 230 V~ 50 Hz, nolledare, en 16 A säkring och en jordfelsbrytare! Om detta ignoreras an det skada enheten.
- Placera inte laddaren nära eld, värme och under lång tid vid temperaturer över 50 °C! Uteffekten hos billaddaren sjunker i höga temperaturer.
- Se till att inga bränsleledningar, elektriska kablar, hydrauliska slangar eller vattenslangar skadas av skruvarna när laddaren monteras! I annat fall finns risk för dödsfall eller skador!



Explosionsrisk! Skydda dig mot högexplosiv väte-syre reaktion! Batteriet kan skicka ut vätgas under laddning och underhållsladdning. Vätgassyrgas är en explosiv blandning av gaserna väte och syre. Kontakt med öppen låga (lågor, glöd eller gnistor) orsakar så kallad vätgassyrgas reaktion! Utför laddning och underhållsladdning i ett väl ventilerat och väderskyddad utrymme. Se till att det inte finns några öppna lågor under laddningen och underhållsladdningen!

- Risk för explosion och brand! Se till att det inte finns några risker för antändning av explosiva och brännbara material såsom bensin eller lösningsmedel när laddaren används!
- Explosiva gaser! Undvik lågor och gnistor!
- Se till att det finns adekvat ventilation under laddningen.
- Placera batteriet på en väl ventilerad yta under laddningen. Om detta ignoreras kan det skada enheten.
- Använd endast billaddaren med de medföljande originaldelarna!
- Täck inte över billaddaren med något föremål! Om detta ignoreras an det skada enheten.
- Skydda ytor på batteriets elektriska kontakter från kortslutning!
- Använd endast billaddaren för laddning och underhållsladdning av oskadade 6 V- / 12 V bly-batterier (med elektrolytlösning eller gel)! I annat fall kan materialskador uppstå.
- Använd inte billaddaren för laddning eller underhållsladdning av icke-laddningsbara batterier. I annat fall kan materialskador uppstå.
- Använd inte billaddaren för att ladda eller underhållsladda ett skadat eller fruset batteri! I annat fall kan materialskador uppstå.
- Innan laddaren ansluts, se batteriets ursprungliga driftsinstruktioner för information om batteriunderhåll! I annat fall finns risk för personskador och/eller skador på enheten.



Explosionsrisk! Se till att den positiva terminalanslutningskabeln inte kommer i kontakt med bränsleledningar.

- Risk för kemiska brännskador! Skydda ögonen och huden mot anfrätning från syror vid kontakt med batteriet!
- Använd syragodkända glasögon, kläder och handskar! Om ögonen eller huden kommit i kontakt med svavelhaltig syra, skölj den påverkade kroppsdelens med massor av rent vatten och rådfråga en läkare omedelbart!
- Innan laddaren ansluts till batteriet som är fast monterat i ett fordon, se fordonets bruksanvisning för information om att bibehålla elektrisk säkerhet och underhåll! I annat fall finns risk för personskador och/eller egendomsskador.
- Kopplas också ifrån billaddaren av miljökäl från elnätet när den inte används! Kom ihåg att standby-läge också förbrukar elektricitet.
- Var alltid uppmärksam och försiktig med vad du gör. Forstått alltid försiktigt och använd inte billaddaren när du är förvirrad eller inte mår bra.

2. MASKININFORMATION

Avsedd användning

Denna enhet är designad för att ladda olika SLA-batterier (täta blybatterier) som primärt används i bilar, motorcyklar och i vissa andra fordon. Batterityper som stöds är Standard, Deep cycle, Gel eller AGM bly-syra batterier. Den speciella designen hos enheten gör att batteriet kan laddas till nästan 100 % av dess kapacitet.

TEKNISKA SPECIFIKATIONER

Modell-nr	BC501AC
Strömspanning	230V ~
Strömfrekvens	50Hz
Ineffekt	350 W
Omvänd ström (ingen AC-ingång)	<5 mA
Utgående märkspanning	6V / 12V
Laddström	2A / 6A / 15A +/-10 %
Batterityper som stöds	Standard / Deep cycle / Gel / AGM
Batterikapacitet som stöds	8-210 Ah
Inträngningsskydd	IP20
Hjälpestart-ström	75 A max.
Användningsintervall för hjälpestart	3s PÅ / 180s AV

BESKRIVNING

Siffrorna i texten hänvisar till diagrammen på sidan 2.

1. DISPLAY-knapp
2. BATTERY TYPE-knapp
3. MODE-knapp
4. Negativ (-) polklämma
5. Positiv (+) polklämma
6. Digital display
7. Strömkabel
8. Säkring med lock

3. DRIFT



Ta bort kontakten från eluttaget innan något arbete utförs på billaddaren. Risk för elektrisk stöt! Risk för skador på egendom! Risk för personskada!

Anslutning

- Innan laddning och underhållsladdning av ett batteri som är fast monterat i fordonet skall först batteriets negativa polanslutningskabel kopplas bort.
- Koppla sedan bort batteriets pluspol från fordonet.
- Först därefter kopplas batteriladdarens positiva (röda) klämma (5) till batteriets pluspol (+).
- Anslut slutligen batteriladdarens negativa (svarta) klämma (4) till den negativa (-) polen på batteriet.

Notera: Om anslutningsklämmorna är korrekt anslutna kommer displayen (6) att visa spänningen och indikatorlampan "Connected" tänds.

Om polerna vänds om av misstag kommer displayen (6) att visa "0.0" och "+/- Error"-indikatorn tänds för att signalera ett polaritetsfel.

Frånkoppling

- Koppla först bort batteriladdaren från eluttaget.
- Ta bort minusklämman (svart) (4) från batteriterminalen.
- Ta bort den positiva klämman (röd) från batteriterminalen.
- Återanslut den positiva polen på batteriet till fordonets positiva anslutning.
- Återanslut batteriets minuspol till fordonets negativa anslutning.

Val av laddningsläge

Du kan ladda olika typer av batterier vid olika omgivande temperaturer med olika laddningslägen. Den säkra laddningsprocessen skyddar mot felaktig anslutning och kortslutning. Den integrerade elektroniken slår inte på billaddaren omedelbart efter anslutning sker men först efter av laddningsläge val.

- Om "+/- Error"-indikatorn tänds, kontrollera att polklämmorna (4 och 5) är korrekt anslutna till batteriet och om rätt batterityp har valts på laddaren.

DISPLAY-knapp (1)

Tryck på denna knapp för att växla mellan olika visningslägen. Det valda visningsläget indikeras av lamporna bredvid knappen. Följande lägen finns:

- Battery %: displayen visar aktuellt laddningstillstånd för det anslutna batteriet, från 0% (ingen laddning) till 100% (full laddning)
- Voltage: indikerar spänningen för det anslutna batteriet

- Alternator %: displayen visar laddarens uteffekt, från 0% (av) till 100% (full effekt)

för denna apparat (75A) – om batteriet är helt urladdat kanske den maximala strömmen på 75A inte räcker för att starta dessa motorer.

BATTERY TYPE-knapp (2)

Tryck på denna knapp för att växla mellan olika batterityper.



Var noga med att välja rätt batterityp innan du startar laddningsprocessen. Det valda visningsläget indikeras av lamporna bredvid knappen batterityp (2).

Följande batterityper stöds:

- 12V Standard
- 12V Deep cycle
- 12V Gel / AGM
- 6V standard

Notera: Efter att ha anslutit laddaren kommer den automatiskt att fastställa batterispänningen. Om laddaren felaktigt upptäcker ett 12V-batteri som ett 6V-batteri betyder det att batteriet är felaktigt och/eller överurladdat. Defekta batterier bör bytas ut, försök inte ladda ett defekt batteri.

MODE-knapp (3)

Tryck på denna knapp för att växla mellan olika driftlägen. Följande lägen kan väljas:

- Snabbladdning: Laddar snabbt batteriet. Rekommenderad inställning för låga omgivningstemperaturer.
- Normal laddning: Normal laddningsprocess.
- Start: Levererar kort en hög ström för att starta ett fordon med svagt eller urladdat batteri.

Använda hjälpstartläget

Notera: Hjälpstartläge kan endast utföras genom att koppla ifrån nätkontakten (7).



WARNING! Gör alltid anslutningarna i rätt ordning enligt beskrivningen i denna bruksanvisning. Fordonets elektronik kan i annat fall skadas. Att fortsätta mot specifikationerna sker på egen risk och ansvar. Hjälpstartläget är inte lämpligt för batterier med en kapacitet under 45 Ah. Om du använder det här läget på ett <45Ah batteri kan det leda till skada på batteriet. Observera att vissa dieselmotorer och bensinmotorer med stor slagvolym kräver en startström utöver det maximala stödet

Laddaren har ett analysprogram för att skydda batteriet från skador (t.ex. sulfatering eller snabb spänningsförlust), särskilt vid hjälpstart. Enheten kommer inte att växla till hjälpstart om batteriet är allvarligt tomt eller utsatt för kraftiga påfrestningar för att skydda batteriet. Under denna process kommer batteriet att laddas med låg ström och indikatorn "Charging" tänds. Displayen fortsätter att visa "0". Vid denna händelse kan inte starthjälpfunktionen användas för att skydda batteriet från skada. Du bör först ladda batteriet med Normal eller Fast Charge under en tid innan du försöker använda hjälpstartfunktionen igen.

- Anslut laddningsuttaget (7) till eluttaget.
- Anslut den positiva (röda) klämman (5) till den positiva (+) batteriterminalen.
- Anslut den negativa (svarta) klämman (6) till den negativa batteriterminalen.
- Om terminalklämmorna är anslutna korrekt kommer billaddaren automatiskt att välja korrekt batterityp.
- Granska batteritypsindikatorn och justera vid behov med knappen BATTERY TYPE (2).
- Välj nu läge Start med MODE-knappen (3). Laddaren kommer att analysera batteriets laddningsnivå och displayen (6) visar "0".
- Starta motorns tändning. Displayen visar nu en 5 sekunders nedräkning: 2 sekunders priming/analys följt av 3 sekunders hjälpstart.
- Under nedräkningen kommer laddaren kortvarigt att leverera 75A för att starta motorn. Nedräkningen följs av en 180 sekunders paus för att skydda batteriet.
- Efter 180 sekunders paus kommer cykeln att starta om (2 sekunder priming, 3 sekunder start, 180 sekunder paus) och du kan försöka starta motorn igen.
- För att koppla bort laddaren: ta först bort den negativa (svarta) klämman (4) från batteripolen, ta sedan bort den positiva (röda) klämman (5) från batteripolen.

Batterirekonditioneringsläge

Kraftigt urladdade 12V-batterier kommer att rekonditioneras av laddaren innan själva laddningspro-

cessen påbörjas. När batteriets spänning är mellan 8,5 och 10,5 V, går laddaren automatiskt in i rekonditioneringsläget. Under rekonditioneringsprocessen kommer "Laddning"-indikatorn att blinka och batteriladdaren kommer att ladda batteriet med en 2A laddningsström i 2 sekunder och sedan stanna i 1 sekund. Denna cykel upprepas i 10 minuter. Efter rekonditioneringsprocessen kommer laddaren att mäta batterispänningen igen.

- Om spänningen nu är över 10,5 V startar 12V-laddningsprocessen automatiskt.
- Om spänningen fortfarande är under 10,5V anses batteriet vara felaktigt. Laddningen kommer att stoppas och displayen visar "Err" för att indikera att ett fel har inträffat.

4. UNDERHÅLL



Dra alltid ur nätsladden från eluttaget innan du arbetar med batteriladdaren.

Byte av säkring (fig. B1, B2)

Utför följande steg, byt ut laddarens säkring:

- Koppla ur strömkabeln från eluttaget.
- Ta bort säkringslocket (8) genom att trycka in sidan av locket.
- Skruva loss säkringen med en skiftnyckel eller hylsa.
- Byt säkring

Rengöring

- Rengör maskinens metall- och plastdelar med en torr trasa
- Använd inte några aggressiva rengöringsmedel.
- Använd inga lösningsmedel som bensin, alkohol, ammoniak etc.

MILJÖ



Felaktig och/eller kasserad elektrisk eller elektronisk utrustning måste lämnas in på lämpliga återvinningsstationer.

Endast för EU-länder

Kassera inte elverktyg i hushållsavfall. Enligt den europeiska riktlinjen 2012/19/EC om kasserad elektrisk och elektronisk utrustning och dess tillämpning i nationell rätt måste elverktyg som inte längre är användbara samlas in separat och kasseras på ett miljövänligt sätt.

GARANTI

VONROC-produkter är utvecklade enligt högsta kvalitetsstandard och garanteras fria från defekter i både material och utförande under den period som lagen föreskriver från och med inköpsdatumet. Om produkten skulle utveckla fel under denna period på grund av defekt material och/eller utförande, kontakta då VONROC direkt.

Följande omständigheter är undantagna från denna garanti:

- Reparationer och/eller ändringar har gjorts eller försökts utföras på maskinen av obehöriga servicecenter;
- Normalt slitage;
- Verktuget har missbrukats, använts på fel sätt eller underhållits felaktigt;
- Reservdelar som inte är original har använts.

Detta utgör den enda garantin som företaget ger antingen uttryckt eller underförstått. Det finns inga andra garantier uttryckta eller underförstådda som sträcker sig bortom detta, inklusive de underförstådda garantierna för säljbarhet och lämplighet för ett visst syfte. Under inga omständigheter ska VONROC hållas ansvarigt för indirekta skador eller följdskador. Återförsäljarnas åtgärder ska begränsas till reparation eller byte av enheter eller delar som inte uppfyller kraven.

Produkten och användarhandboken kan ändras. Specifikationerna kan ändras utan förvarning.

1. SIKKERHEDSANVISNINGER

Læs de vedlagte sikkerhedsadvarsler, de yderligere sikkerhedsadvarsler og vejledningen. Hvis sikkerhedsadvarslerne og vejledningen ikke følges, kan det resultere i elektrisk stød, brand og/eller alvorlige personskader. Gem sikkerhedsadvarslerne og vejledningen til fremtidig brug.

Følgende symboler anvendes i brugervejledningen eller på produktet:



Læs brugervejledningen.



Angiver risiko for personskade, dødsfald eller beskadigelse af værktøjet i tilfælde af manglende overholdelse af anvisningerne i denne vejledning.



Angiver fare for elektrisk stød.



Angiver eksplosionsfare.



Bortskaf ikke produktet i uegnede beholdere.



I overensstemmelse med gældende sikkerhedsstandarder og europæiske direktiver.

GENERELLE SIKKERHEDSADVARSLER FOR ELVÆRKTØJ



ADVARSEL! Læs alle sikkerhedsadvarsler og alle anvisninger. Hvis advarslerne og vejledningen ikke følges, kan det resultere i elektrisk stød, brand og/eller alvorlige personskader.

Gem alle advarsler og instruktioner til fremtidig brug. Udtrykket "el-værktøj" i advarslerne refererer til dit strømdrevne el-værktøj (med ledning) eller dit batteridrevne el-værktøj (uden ledning).

1) Sikkerhed på arbejdsområdet

- Hold arbejdsområdet rent og godt oplyst.** Der er risiko for ulykker på rodede eller mørke områder.
- Brug ikke el-værktøj i eksplosive atmosfærer, f.eks. i nærheden af brandfarlige væsker, gasser eller støv.** El-værktøj danner gnister, der kan antænde støv eller dampe.

- Hold børn og tilskuere væk, mens du bruger et el-værktøj.** Distractioner kan få dig til at miste kontrollen.

2) El-sikkerhed

- Stik på el-værktøj skal passe til stikkontakten. Stikket må aldrig modificeres på nogen måde. Brug ikke adapterstik med jordforbundne (jordede) el-værktøj.** Umodificerede stik og tilsvarende stikkontakter reducerer risikoen for elektrisk stød.
- Undgå kropskontakt med jordede overflader, såsom rør, radiatorer, områder og køleskabe.** Der er en øget risiko for elektrisk stød, hvis din krop er jordet.
- El-værktøjer må ikke udsættes for regn eller våde omgivelser.** Vand, der trænger ind i et el-værktøj, vil øge risikoen for elektrisk stød.
- Misbrug ikke ledningen. Brug ikke ledningen til at bære, trække eller frakoble el-værktøjet. Hold ledningen væk fra varme, olie, skarpe kanter eller dele i bevægelse.** Beskadigede eller sammenfiltrede ledninger øger risikoen for elektrisk stød.
- Når du betjener et el-værktøj udendørs, skal du bruge en forlængerledning, der er velegnet til udendørs brug.** Brug af en ledning, der er velegnet til udendørs brug, reducerer risikoen for elektrisk stød.
- Hvis det ikke kan undgås at bruge et maskinværktøj i et fugtigt miljø, bør du anvende en forsyning, der er beskyttet af en fejlstrømsafbryder (RCD).** Brugen af en RCD reducerer risikoen for elektrisk stød.

3) Personlig sikkerhed

- Vær opmærksom, se hvad du laver, og brug din sunde fornuft, når du bruger et el-værktøj. Brug ikke et el-værktøj, når du er træt eller påvirket af stoffer, alkohol eller medicin.** Et øjeblikvis uopmærksomhed under brug af el-værktøj kan resultere i alvorlig personskade.
- Brug personligt sikkerhedsudstyr. Bær altid øjenværn.** Beskyttelsesudstyr såsom støvmaske, skridsikre sikkerhedssko, hjelm eller høreværn, der bruges til passende forhold, reducerer personskader.
- Undgå utilsigtet start. Sørg for, at kontakten er slukket, før du tilslutter strømkilden og/eller batteripakken, tager maskinen op eller bærer værktøjet.** Hvis el-værktøj bæres med fingren

- på kontakten, eller når el-værktøj strømføres med tændt kontakt, kan der nemt ske ulykker.
- d) **Fjern en eventuel justeringsnøgle eller skrue-nøgle, inden du tænder for el-værktøjet.** En skrue-nøgle eller en justeringsnøgle, der er fastgjort til en roterende del af el-værktøjet, kan resultere i personskade.
 - e) **Ræk dig ikke for langt. Hold altid et korrekt fodfæste og balancen.** Dette giver bedre kontrol over el-værktøjet i uventede situationer.
 - f) **Klæd dig korrekt. Bær ikke løst tøj eller smykker. Hold dit hår, tøj og handsker væk fra bevægelige dele.** Løst tøj, smykker eller langt hår kan sætte sig fast i bevægelige dele.
 - g) **Hvis der leveres enheder til tilslutning af støvudsugnings- og opsamlingsfaciliteter, skal du sikre, at disse er tilsluttet og bliver brugt korrekt.** Brug af støvopsamling kan reducere støvrelaterede farer.
 - h) **Lad ikke kendskab opnået gennem hyppig brug af værktøj lade dig blive tilbagelænet og ignorere værktøjssikkerhedsprincipper.** En skødesløs handling kan forårsage alvorlig personskade inden for en brøkdelt af et sekund.
- 4) Brug og pleje af el-værktøj**
- a) **Tving ikke el-værktøjet. Brug det korrekte el-værktøj til din opgave.** Det korrekte el-værktøj vil gøre et bedre stykke arbejde og vil være mere sikkert ved den hastighed, det var beregnet til.
 - b) **Brug ikke el-værktøjet, hvis kontakten ikke tænder og slukker.** Ethvert el-værktøj, der ikke kan styres med kontakten, er farligt og skal repareres.
 - c) **Tag stikket ud af strømkilden og/eller fjern batteripakken fra el-værktøjet, før du foretager justeringer, skifter tilbehør eller opbevarer el-værktøj.** Disse forebyggende sikkerhedsforanstaltninger reducerer risikoen for at starte el-værktøjet ved et uheld.
 - d) **Opbevar inaktivt el-værktøj uden for børns rækkevidde, og lad ikke personer, der ikke har kendskab til el-værktøjet eller disse instruktioner, betjene værktøjet.** El-værktøjer er farlige i hænderne på utrænede brugere.
 - e) **Vedligehold el-værktøjer. Se efter forkert justering eller binding af bevægelige dele, ødelagte dele og enhver anden tilstand, der kan påvirke el-værktøjets drift. Hvis det er beskadiget, bør du få el-værktøjet repareret før brug.** Mange ulykker forårsages af dårligt vedligeholdt el-værktøj.
 - f) **Hold skæreværktøj skarpt og rent.** Korrekt vedligeholdt skæreværktøjer med skarpe skærekanter har mindre tilbøjelighed til at binde og er lettere at styre.
 - g) **Brug el-værktøj, tilbehør og værktøjsbor osv. i overensstemmelse med disse instruktioner under hensyntagen til arbejdsforholdene og det arbejde, der skal udføres.** Brug af el-værktøjet til andet arbejde end det tilsigtede kan resultere i en farlig situation.
 - h) **Hold håndtag og gribeblade tørre, rene og fri fra olie og fedtstof.** Glatte håndtag og gribeblade giver ikke mulighed for sikker håndtering og kontrol af værktøjet i uventede situationer.
- 5) Brug og pleje af værktøjsbatteri**
- a) **Brug kun den oplader, der er specificeret af producenten, til opladning.** En oplader, der er egnet til én type batteripakke, kan forårsage risiko for brand, når den anvendes med en anden batteripakke.
 - b) **Brug kun el-værktøj med specifikt udformede batteripakker.** Brug af andre batteripakker kan resultere i risiko for personskader og brand.
 - c) **Når batteripakken ikke er i brug, skal den holdes væk fra andre metalgenstande, som f.eks. papirclips, mønter, nøgler, søm, skruer eller andre små metalgenstande, der kan skabe en forbindelse fra den ene terminal til den anden.** Hvis batteriterminalerne kortsluttes, kan det forårsage forbrændinger eller en brand.
 - d) **Ved forkert anvendelse kan der slippe væske ud af batteriet; undgå kontakt. Skyl med vand, hvis der skulle opstå kontakt ved et uheld. Søg derudover lægehjælp, hvis der kommer væske ind i øjnene.** Væske fra batteriet kan forårsage irritation eller forbrændinger.
 - e) **Brug ikke en batteripakke eller et værktøj, der er beskadiget eller modificeret.** Beskadigede eller modificerede batterier kan udvise uforudsigelig adfærd, hvilket resulterer i brand, eksplosion eller risiko for personskade.
 - f) **Undlad at udsætte en batteripakke eller et værktøj for åben ild eller for høj temperatur.** Udsættelse for åben ild eller temperatur over 130 °C kan forårsage eksplosion. BEMÆRK Temperaturen „130 °C“ kan erstattes af temperaturen „265 °F“.
 - g) **Følg alle opladningsinstruktioner, og oplad ikke**

batteripakken eller værktøjet uden for temperaturintervallet specificeret i instruktionerne.

Forkert opladning eller opladning ved temperaturer uden for det specificerede interval kan beskadige batteriet og øge risikoen for brand.

6) Service

- a) **Lad dit el-værktøj blive serviceeret af en kvalificeret reparatør, der kun bruger identiske reservedele.** Dette sikrer, at maskinværktøjet fortsat er sikkert at bruge.
- b) **Foretag aldrig service på beskadigede batteripakker.** Service af batteripakker bør kun udføres af producenten eller autoriserede serviceudbydere.

YDERLIGERE SIKKERHEDSINSTRUKTIONER TIL BATTERIOPLADER

I batteriopladerens design er der taget hensyn til kravene til sikker brug. Enhver ændring, tilpasning, ombygning eller anden brug kan interferere med apparatets sikkerhed. Derudover vil garantien ikke længere være gyldig på grund af dette.



Hold uden for børns rækkevidde!

- Undgå livsfare og risiko for skader på grund af forkert brug!
- Arbejd ikke med apparatet hvis hovedkablerne eller stik er beskadigede. Et beskadiget hovedkabel indikerer en livstruende fare på grund af elektrisk stød.
- Få udelukkende et beskadiget strømkabel repareret af autoriserede og uddannede fagfolk! I tilfælde af at en reparation er nødvendig, skal du kontakte servicecenteret for dit land
- Fare for elektrisk stød! For batterier, der permanent er monteret i et køretøj, kontroller at køretøjet er slået fra! Slå tændingen fra og sæt bilen i park med aktiveret håndbremse (f.eks. bil) eller et fast reb (f.eks. elektrisk båd)!
- Fare for elektrisk stød! Frakobl bilopladeren fra hovedledningen før tilslutning eller fjernelse af konnektorerne til/fra batteriet.
- Tilslut først klemmen, der ikke er tilsluttet til bilkarosseriet.
- Tilslut den anden klemme til bilkarosseriet, med afstand til batteriet og brændstofledningen. Tilslut derefter kun bilopladeren til strømforsyningen.
- Frakobl bilopladeren fra strømforsyningen efter opladning.



Fare for elektrisk stød! Rør kun ved terminaltilslutningskablerne ("-" og "+") i det isolerede område!

- Fare for elektrisk stød! Opret forbindelsen til batteriet og hovedledningens strømudtag fuldstændigt beskyttet mod fugt.
- Fare for elektrisk stød! Monter, vedligehold og plej udelukkende bilopladeren, når den er frakoblet hovedledningen!
- Fare for elektrisk stød! Når opladnings- og afladningsprocessen er afsluttet i batterier permanent installeret i køretøjer, frakobl først opladerens negative terminaltilslutningskabel (sort) fra batteriets negative terminal.
- Lad ikke småbørn eller børn være uden opsyn sammen med bilopladeren!
- Børn er endnu ikke i stand til at vurdere en potentiel fare ved håndtering af elektriske apparater. Børn skal altid overvåges for at sikre, at de ikke leger med værktøjet.



Eksplisionsfare! Beskyt dig selv mod en meget eksplosiv brint-ilt reaktion! Batteriet kan udsende gasformig brint under opladning og vedligeholdelsesladning. Oxyhydrogen er en eksplosiv blanding af gasformigt brint og ilt. Kontakt med åben ild (flammer, gløder og gnister) vil bevirke en såkaldt oxyhydrogen reaktion! Udfør opladning og vedligeholdelsesladning i et godt ventileret rum beskyttet mod vejret. Vær sikker på der ikke er nogen åben ild under opladning og vedligeholdelsesladning!

- Fare for eksplosion og brandfare! Sørg for, at der ikke er mulighed for antændelse af eksplosive eller brændbare materialer, såsom benzin eller opløsningsmidler, mens du bruger opladeren!
- Eksplosive gasser! Undgå flammer og gnister!
- Sørg for tilstrækkelig ventilation under opladning.
- Placer batteriet på en godt ventileret overflade under opladning. Undladelse af dette kan beskadige enheden.



Eksplisionsfare! Sørg for at det positive terminaltilslutningskabel ikke kommer i kontakt med brændstofledninger.

- Fare for ætsninger! Beskyt dine øjne og hud mod korrosion fra syrer, når de kommer i kontakt med batteriet!
- Brug syrefaste beskyttelsesbriller, tøj og handsker! Hvis øjne eller hud er kommet i kontakt med svovlsyre, skylles det berørte område med masser af rent vand og kontakt en læge med det samme!
- Undgå kortslutning ved tilslutning af bilopladeren til batteriet. Tilslut kun det negative terminaltilslutningskabel til den negative batteriterminal eller bilkarosseriet. Tilslut kun det positive terminaltilslutningskabel til den positive batteriterminal!
- Før tilslutning til hovedledningen skal du kontrollere, at strømforsyningen har den påkrævede 230 V~ 50 Hz, neutral ledning, en 16 A sikring og en ELCB kontakt (HFI-relæ)! Undladelse af dette kan beskadige enheden.
- Anbring ikke opladeren tæt på ild, varme og langvarige temperaturer over 50 °C! Bilopladerens udgangseffekt falder automatisk ved høje temperaturer.
- Sørg for at ingen brændstofledninger, elektriske kabler, hydraulik- eller vandrør er beskadiget af skrueerne under montering af opladeren! Ellers er der risiko for død eller personskader!
- Brug kun bilopladeren sammen med de medfølgende originale dele!
- Dæk ikke bilopladeren med genstande! Undladelse af dette kan beskadige enheden.
- Beskyt overfladerne på batteriets elektriske kontakter mod kortslutning!
- Brug kun bilopladeren til opladning og vedligeholdelsesopladning af ubeskadigede 6 V- / 12 V blybatterier (med elektrolyt opløsning eller gel)! Ellers kan der opstå beskadigelse af materialet.
- Brug ikke bilopladeren til opladning eller vedligeholdelsesladning af ikke-genopladelige batterier. Ellers kan der opstå beskadigelse af materialet.
- Brug ikke bilopladeren til at oplade eller vedligeholdelseslade et beskadiget eller frosset batteri! Ellers kan der opstå beskadigelse af materialet.
- Før tilslutning af opladeren, se batteriets originale brugsanvisninger for information om vedligeholdelse af batteriet! Ellers er der risiko for personskader og / eller beskadigelse af enheden.
- Før tilslutning af opladeren til et batteri, der permanent er tilsluttet til et køretøj, se køretøjets betjeningsvejledning for informationer om vedligeholdelse af elektrisk sikkerhed og vedligeholdelse! Ellers er der risiko for personskader og/eller beskadigelse af ejendom.
- Afbryd også bilopladeren fra hovedledningen, når den ikke er i brug af miljømæssige årsager! Husk at standby drift også forbruger elektricitet.
- Vær altid opmærksom på og vær altid forsigtig med, hvad du gør. Arbejd altid med forsigtighed og betjen ikke bilopladeren, når du er svimmel eller føler dig utilpas.

2. MASKINOPLYSNINGER

Tilsigtet brug

Denne enhed er designet til at oplade en række SLA-batterier (forseglede bly-syre-batterier), som primært bruges i biler, motorcykler og nogle andre køretøjer. Understøttede batterityper er almindelige, deep cycle, gel eller AGM bly-syre batterier. Den specielle udformning af enheden gør det muligt, at batteriet oplades til næsten 100% af dets kapacitet.

TEKNISKE SPECIFIKATIONER

Model nr.	BC501AC
Netspænding	230 V~
Netfrekvens	50 Hz
Indgangseffekt	350 W
Omvendt strøm (intet AC-input)	<5 mA
Nominel udgangsspænding	6/12 V
Ladestrøm	2/6/15 A +/-10%
Understøttede batterityper	Almindelige/deep cycle/gel/AGM
Understøttet batterikapacitet	8-210 Ah
Indtrængningsbeskyttelse	IP20
Chokstart-strøm	75 A maks.
Interval ved brug af chokstart	3 sek. tændt/180 sek. slukket

BESKRIVELSE

Tallene i teksten henviser til diagrammerne på side 2.

1. Knappen DISPLAY
2. Knappen BATTERYTYPE
3. Knappen MODE
4. Negativ (-) terminalklemme
5. Positiv (+) terminalklemme
6. Digitalt display
7. Elledning
8. Sikring med dæksel

3. BETJENING



Tag stikket ud af stikkontakten, før du udfører noget arbejde på batteriopladeren. Risiko for elektrisk stød! Fare for beskadigelse af ejendom! Risiko for personskade!

Tilslutning

- Før opladning og vedligeholdelsesladning af et batteri, der permanent er forbundet med et køretøj, skal du først afbryde batteriets negative terminal fra køretøjet.
- Kobl derefter batteriets positive terminal fra køretøjet.
- Først da kan du slutte batteriopladerens positive (røde) klemme (5) til batteriets positive (+) terminal.
- Slut til sidst batteriopladerens negative (sorte) klemme (4) til batteriets negative (-) terminal.

Bemærk: Hvis konnektorklemmerne er korrekt tilsluttet, vil displayet (6) vise spændingen, og indikatorlampen for "Tilsluttet" lyser. Hvis polerne ved et uheld vendes om, vil displayet (6) vise "0.0", og "+/- Fejl"-indikatoren lyser for at signalere en polaritetsfejl.

Frakobling

- Tag først batteriopladeren ud af stikkontakten.
- Fjern den negative (sorte) klemme (4) fra batteriets terminal.
- Fjern den positive (røde) klemme (5) fra batteriets terminal.
- Slut igen batteriets positive terminal til køretøjets positive forbindelse.
- Slut igen batteriets negative terminal til køretøjets negative forbindelse.

Valg af opladningsfunktion

Du kan oplade en række batterier ved forskellige omgivelsestemperaturer ved hjælp af de forskellige opladningsfunktioner. Den sikre opladningsproces beskytter mod forkert tilslutning og kortslutninger. Den integrerede elektronik slår ikke batteriopladeren til umiddelbart efter tilslutningen, men først efter der er valgt en opladningsfunktion.

- Hvis "+/- Fejl"-indikatoren lyser, skal du kontrollere, om terminalklemmerne (4 og 5) er korrekt forbundet til batteriet, og om den korrekte batteritype er valgt på opladeren.

Knappen DISPLAY (1)

Tryk på denne knap for at skifte mellem forskellige displaytilstande. Den valgte displaytilstand indikeres af lysene ved siden af knappen. Følgende tilstande er tilgængelige:

- Battery %: displayet viser den aktuelle opladningstilstand for det tilsluttede batteri, der spænder fra 0 % (ingen opladning) til 100 % (fuld opladning)
- Spænding: displayet viser spændingen på det tilsluttede batteri
- Generator %: displayet viser opladerens udgangseffekt, der spænder fra 0 % (slukket) til 100 % (fuld effekt)

Knappen BATTERYTYPE (2)

Tryk på denne knap for at skifte mellem forskellige batterityper.



Sørg for at vælge den korrekte batteritype, før du starter opladningsprocessen. Den aktuelt valgte batteritype indikeres af lysene ved siden af knappen BATTERYTYPE (2).

Følgende batterityper understøttes:

- 12 V Almindeligt
- 12 V Deep cycle
- 12 V Gel / AGM
- 6 V Almindeligt

Bemærk: Når opladeren er blevet tilsluttet, vil den automatisk bestemme batterispændingen. Hvis opladeren fejlagtigt registrerer et 12V-batteri som et 6V-batteri, betyder det, at batteriet er defekt og/eller overaf ladet. Defekte batterier skal udskiftes. Forsøg ikke at oplade et defekt batteri.

Knappen TILSTAND (3)

Tryk på denne knap for at skifte mellem forskellige driftstilstande. Følgende tilstande kan vælges:

- Hurtig opladning: Oplader batteriet hurtigt. Anbefalet indstilling til lave omgivelsestemperaturer.
- Normal opladning: Normal opladningsproces.
- Start: Leverer kortvarigt en høj strøm for at chokstarte et køretøj med et svagt eller afladet batteri.

Brug af chokstart-tilstanden

Bemærk: Chokstart-tilstanden kan kun fremkaldes ved frakobling af elledningen (7).



ADVARSEL! Foretag altid tilslutningerne i den rigtige rækkefølge, som beskrevet i denne brugervejledning. Ellers kan køretøjets elektronik blive beskadiget. Arbejde imod specifikationerne er for egen risiko og ansvar. Chokstart-tilstanden er ikke velegnet til batterier med en kapacitet på under 45 Ah. Hvis denne tilstand bruges på et <45 Ah batteri, kan det resultere i beskadigelse af batteriet. Bemærk, at nogle diesel- og benzinmotorer med stor slagvolumen har brug for en startstrøm, der overskrider dette apparats understøttede maksimum (75 A) – hvis batteriet er helt afladet, er den maksimale strøm på 75 A muligvis ikke tilstrækkelig til at starte disse motorer.

Opladeren har et analyseprogram til at beskytte batteriet mod beskadigelse (f.eks. sulfatering eller hurtige spændingsfald), især under igangsætning af start. Enheden vil ikke tænde for igangsætningsstarteren med alvorligt drænedede eller stærkt stressede batterier for at beskytte batteriet. Under denne proces vil batteriet blive opladet med lav strøm, og indikatoren for "Opladning" lyser. Displayet fortsætter med at vise "0". I dette tilfælde kan funktionen til chokstart ikke bruges for at beskytte batteriet mod beskadigelse. Du bør først oplade batteriet ved hjælp af Normal eller Hurtig opladning i et stykke tid, før du forsøger at bruge chokstart-funktionen igen.

- Sæt elledningen (7) i stikkontakten.
- Slut den positive (røde) klemme (5) til den positive (+) batteriterminal.
- Slut den negative (sorte) klemme (4) til den

negative (-) batteriterminal.

- Hvis terminalklemmerne er korrekt tilsluttet, vil opladeren automatisk vælge den korrekte batteritype.
- Gennemgå indikatoren for batteritypen, og juster om nødvendigt ved hjælp af knappen BATTERITYPE (2).
- Vælg nu Starttilstanden ved hjælp af knappen TILSTAND (3). Opladeren analyserer batteriets opladningsniveau, og displayet (6) viser '0'.
- Start tænding af køretøjet. Displayet viser nu en nedtælling på 5 sekunder: 2 sekunders klargøring/analyse efterfulgt af 3 sekunders chokstart.
- Under nedtællingen vil opladeren kortvarigt levere 75 A for at starte motoren. Nedtællingen efterfølges af en pause på 180 sekunder til at beskytte batteriet.
- Efter de 180 sekunders pause genstarter cyklussen (2 sekunders klargøring, 3 sekunders start, 180 sekunders pause), og du kan forsøge at starte motoren igen.
- Sådan frakobles opladeren: Fjern først den negative (sort) klemme (4) fra batteriterminalen, og fjern derefter den positive (røde) klemme (5) fra batteriterminalen.

Tilstand til restaurering af batteri

Meget afladene 12V-batterier restaureres af opladeren, før selve opladningsprocessen påbegyndes. Når batteriets spænding er mellem 8,5 og 10,5 V, skifter opladeren automatisk til restaurerings-tilstand. Under restaureringsprocessen blinker indikatoren for "Opladning", og batteriopladeren oplader batteriet med en 2A opladningsstrøm i 2 sekunder og stopper derefter i 1 sekund. Denne cyklus gentages i 10 minutter. Efter restaureringsprocessen måler opladeren batterispændingen igen.

- Hvis spændingen nu er over 10,5 V, starter 12V-opladningsprocessen automatisk.
- Hvis spændingen stadig er under 10,5 V, anses batteriet for at være defekt. Opladningen stoppes, og displayet viser "Err" for at indikere, at der er opstået en fejl.

4. VEDLIGEHOVELSE



Træk altid elledningen ud af stikkontakten, før du arbejder på batteriopladeren.

Udskiftning af sikringen (fig. B1, B2)

Udfør følgende trin for at udskifte opladerens sikring:

- Træk elledningen ud af stikkontakten.
- Fjern sikringsdækslet (B) ved at trykke på siden af dækslet.
- Skru sikringen af med en skrueøgle eller fatning.
- Udskift sikringen

Rengøring

- Rengør maskinens metal- og plastikdele med en tør klud
- Brug ikke slibende rengøringsmidler.
- Brug ikke opløsningsmidler som benzin, alkohol, ammoniak osv.

MILJØ



Defekte og/eller bortskaffede elektriske og elektroniske apparater skal afleveres på en passende genbrugsstation.

Kun for lande i EU

Maskinværktøj må ikke bortskaffes sammen med husholdningsaffald. Ifølge EC-direktiv 2012/19/EU om affald af elektrisk og elektronisk udstyr og dets gennemførelse i den nationale lovgivning skal maskinværktøjer, der ikke længere anvendes, afleveres separat og bortskaffes på en miljøvenlig måde.

GARANTI

VONROC-produkter er udviklet til de højeste kvalitetsstandarder og er garanteret fri for defekter i både materialer og udførelse i den periode, der er retsligt angivet fra datoen for det originale køb. Hvis produktet skulle udvikle fejl i denne periode på grund af defekt materiale og/eller udførelse, bedes du kontakte VONROC direkte.

Følgende omstændigheder er udelukket fra denne garanti:

- Uautoriserede servicecentre har foretaget eller gjort forsøg på at foretage reparationer og/eller ændringer på maskinen;

- Normal slitage;
- Værktøjet er blevet misbrugt, brugt forkert eller ikke passende vedligeholdt;
- Der er anvendt ikke-originale reservedele.

Dette udgør den eneste garanti, virksomheden har givet, enten udtrykt eller underforstået. Der er ingen andre garantier, udtrykt eller underforstået, som strækker sig ud over denne, herunder de underforståede garantier for salgbarhed og egnethed til et bestemt formål. Under ingen omstændigheder skal VONROC holdes ansvarlig for tilfældige skader eller følgeskader. Forhandlerens retsmidler skal være begrænset til reparation eller udskiftning af enheder eller dele, der ikke overholder kravene.

Produktet og brugervejledningen er genstand for ændringer. Specifikationer kan ændres uden yderligere varsel.

1. INSTRUKCJE DOTYCZĄCE BEZPIECZEŃSTWA

Przeczytać dołączone ostrzeżenia dotyczące bezpieczeństwa, dodatkowe ostrzeżenia dotyczące bezpieczeństwa oraz instrukcję. Nieprzestrzeganie ostrzeżeń dotyczących bezpieczeństwa oraz instrukcji może prowadzić do porażenia prądem, pożaru i/lub poważnych obrażeń ciała. Zachować ostrzeżenia dotyczące bezpieczeństwa oraz instrukcje na przyszłość.

Następujące symbole są umieszczone w instrukcji lub na produkcie:



Przeczytać instrukcję obsługi.



Oznacza ryzyko obrażeń ciała, śmierci lub uszkodzenia narzędzia w razie nieprzestrzegania poleceń z instrukcji.



Oznacza ryzyko porażenia prądem.



Oznacza ryzyko wybuchu.



Nie wyrzucać produktu do nieodpowiednich pojemników.



Postępować zgodnie z właściwymi normami bezpieczeństwa i dyrektywami europejskimi.

OGÓLNE OSTRZEŻENIA DOTYCZĄCE BEZPIECZEŃSTWA ELEKTRONARZĘDZI



OSTRZEŻENIE! Przeczytać wszystkie ostrzeżenia dotyczące bezpieczeństwa i wszystkie instrukcje. Nieprzestrzeganie ostrzeżeń oraz instrukcji może prowadzić do porażenia prądem, pożaru i/lub poważnych obrażeń ciała.

Zachować ostrzeżenia oraz instrukcje na przyszłość.

Określenie „elektronarzędzie” w ostrzeżeniach dotyczy elektronarzędzia sieciowego (przewodowego) lub elektronarzędzia akumulatorowego (bezwodowego).

1) Bezpieczeństwo miejsca pracy

- Utrzymywać miejsce pracy w czystości i dobrze oświetlone.** Bałagan i ciemności w miejscu pracy prowadzą do wypadków.

- Nie używać elektronarzędzi w atmosferze wybuchowej, np. w obecności łatwopalnych cieczy, gazów lub pyłu.** Elektronarzędzia wytwarzają iskry, które mogą spowodować zapłon pyłu lub oparów.
- Podczas korzystania z elektronarzędzia nie pozwalać zbliżać się dzieciom i osobom postronnym.** Odwrócenie uwagi może spowodować utratę panowania nad narzędziem.

2) Bezpieczeństwo elektryczne

- Wtyczka elektronarzędzia musi pasować do gniazdka. Nigdy w żaden sposób nie modyfikować wtyczki. Nie używać żadnych przejściówek do wtyczek w połączeniu z uziemionymi elektronarzędziami.** Niemodyfikowane wtyczki i pasujące do nich gniazdka zmniejszają ryzyko porażenia prądem.
- Unikać dotykania uziemionych powierzchni, jak rury, grzejniki, kuchenki i lodówki.** Jeśli ciało jest uziemione, ryzyko porażenia prądem jest zwiększone.
- Nie narażać elektronarzędzi na deszcz, wodę lub wilgoć.** Przedostanie się wody do wnętrza elektronarzędzia zwiększy ryzyko porażenia prądem.
- Ostrożnie obchodzić się z kablem. Nigdy nie używać kabla do przenoszenia, ciągnięcia lub odłączania elektronarzędzia od gniazdka. Trzymać kabel z dala od gorąca, oleju, ostrych krawędzi i ruchomych części.** Uszkodzone lub splecione kable zwiększają ryzyko porażenia prądem.
- Podczas użytkowania elektronarzędzia na wolnym powietrzu używać przedłużacza przeznaczonego do użytku na wolnym powietrzu.** Używanie przedłużacza przeznaczonego do użytku na wolnym powietrzu zmniejsza ryzyko porażenia prądem.
- Jeśli obsługa elektronarzędzia w wilgotnym miejscu jest nieunikniona, użyć zasilania wyposażonego w wyłącznik różnicowoprądowy.** Użycie wyłącznika różnicowoprądowego zmniejsza ryzyko porażenia prądem.

3) Bezpieczeństwo osobiste

- Zachować czujność, uważać na to, co się robi, a także stosować zdrowy rozsądek podczas korzystania z elektronarzędzia. Nie używać narzędzia, gdy jest się zmęczonym lub pod wpływem leków, alkoholu albo środków odurzających.**

Chwila nieuwagi podczas obsługi elektronarzędzia może prowadzić do poważnych obrażeń ciała.

- b) **Stosować środki ochrony osobistej. Zawsze nosić okulary ochronne.** Wyposażenie ochronne, jak maska przeciwpylewa, antypoślizgowe bezpieczne obuwie, kask lub ochronniki słuchu, używane w odpowiednich warunkach ogranicza występowanie obrażeń ciała.
 - c) **Unikać niezamierzonego uruchomienia. Dopilnować, aby włącznik znajdował się w położeniu wyłączonym przed podłączeniem elektronarzędzia do źródła zasilania i/lub akumulatora, jego podniesieniem lub przeniesieniem.** Przeniesienie elektronarzędzi z palcem na włączniku lub podłączenie do zasilania elektronarzędzi z włącznikiem w położeniu włączenia jest bardzo niebezpieczne i może powodować wypadki.
 - d) **Usunąć wszelkie klucze lub inne narzędzia do regulacji przed włączeniem elektronarzędzia.** Klucz lub inne narzędzie pozostawione podłączone do obracającej się części narzędzia może prowadzić do obrażeń ciała.
 - e) **Nie sięgać za daleko. Zawsze utrzymywać właściwe podparcie dla stóp i równowagę.** Pozwala to na lepsze panowanie nad elektronarzędziem w nieoczekiwanych sytuacjach.
 - f) **Nosić odpowiednią odzież. Nie nosić luźnych ubrań ani biżuterii. Nie zbliżać włosów, odzieży i rękawic do ruchomych części.** Luźna odzież, biżuteria lub długie włosy mogą zostać pochwycone przez ruchome części.
 - g) **Jeśli urządzenie jest wyposażone w złącze do podłączania do urządzeń do gromadzenia i odsysania pyłu, koniecznie je podłączyć i używać ich prawidłowo.** Gromadzenie pyłu pozwala na ograniczanie zagrożeń związanych z pyłem.
 - h) **Nie zezwalać na to, aby rutyna związana z częstym korzystaniem z narzędzi powodowała nadmierną pewność siebie i ignorowanie zasad bezpiecznego korzystania z narzędzi.** Nieodpowiedzialne działanie może spowodować poważne obrażenia ciała w ułamku sekundy.
- 4) Użytkowanie i pielęgnacja elektronarzędzia**
- a) **Nie przeciążać elektronarzędzia. Używać narzędzia przystosowanego do określonego zastosowania.** Właściwe elektronarzędzie wykona pracę lepiej i bezpieczniej z szybkością, do jakiej jest przeznaczone.
 - b) **Nie używać elektronarzędzia, jeśli jego włącz-**

nik nie pozwala na jego włączanie i wyłączenie. Elektronarzędzie, którego nie można włączyć i wyłączać włącznikiem jest niebezpieczne i musi zostać naprawione.

- c) **Odłączyć wtyczkę od źródła zasilania i/lub odłączyć akumulator od elektronarzędzia przed rozpoczęciem przeprowadzania jakichkolwiek regulacji, wymianą akcesoriów lub rozpoczęciem przechowywania elektronarzędzia.** Takie środki zapobiegawcze ograniczają ryzyko przypadkowego uruchomienia elektronarzędzia.
 - d) **Przechowywać nieużywane elektronarzędzia w miejscu niedostępnym dla dzieci i nie pozwalać osobom niezaznajomionym z elektronarzędziem lub tą instrukcją na obsługę elektronarzędzia.** Elektronarzędzia są niebezpieczne w rękach nieprzeszkolonych użytkowników.
 - e) **Prawidłowo konserwować elektronarzędzia. Sprawdzać elektronarzędzie pod kątem niedopasowania lub utykania części ruchomych, pęknięcia części lub innych okoliczności, które mogą negatywnie wpływać na jego działanie. W razie uszkodzenia oddać elektronarzędzie do naprawy przed ponownym użyciem.** Wiele wypadków jest spowodowanych słabo konserwowanymi elektronarzędziami.
 - f) **Utrzymywać narzędzia tnące naostrzone i czyste.** Właściwie konserwowane narzędzia tnące z ostrymi krawędziami tnącymi są mniej narażone na utykanie i łatwiej nad nimi zapanować.
 - g) **Używać elektronarzędzia, akcesoriów i końcówek narzędziowych itp. zgodnie z tą instrukcją, uwzględniając warunki pracy i zadanie do wykonania.** Wykorzystanie elektronarzędzia do zadań niezgodnych z jego przeznaczeniem może prowadzić do niebezpieczeństwa.
 - h) **Uchwyty należy utrzymywać w stanie suchym, czystym i niezabrudzonym olejem lub smarem.** Śliskie uchwyty i powierzchnie do chwytania nie pozwalają na bezpieczne obchodzenie się z narzędziem i panowanie nad nim w nieoczekiwanych sytuacjach.
- 5) Użytkowanie i pielęgnacja akumulatora**
- a) **Ładować tylko ładowarką wyznaczoną przez producenta.** Ładowarka odpowiednia dla jednego rodzaju akumulatora może powodować ryzyko pożaru, jeśli zostanie użyta z innym rodzajem akumulatora.
 - b) **Używać elektronarzędzia jedynie w połączeniu z wyznaczonymi akumulatorami.** Użycie innych

akumulatorów może powodować ryzyko obrażeń ciała i pożaru.

- c) **Kiedy akumulator nie jest używany, należy trzymać go z dala od innych metalowych przedmiotów, takich jak spinacze, monety, klucze, gwoździe, śruby lub inne małe metalowe przedmioty, które mogą spowodować zwarcie styków akumulatora.** Zwarcie styków akumulatora może powodować poparzenia lub pożar.
- d) **W przypadku silnego uderzenia z akumulatora może wypłynąć płyn. Unikać styczności. W razie przypadkowej styczności niezwłocznie przepłukać miejsce styczności wodą. Jeśli dojdzie do styczności płynu z akumulatora z oczami, natychmiast uzyskać pomoc lekarską.** Płyn z akumulatora może powodować podrażnienia lub poparzenia.
- e) **Nie używać uszkodzonego ani zmodyfikowanego akumulatora lub narzędzia.** Uszkodzone lub zmodyfikowane akumulatory mogą działać w sposób nieoczekiwany, co może spowodować pożar, wybuch lub ryzyko obrażeń ciała.
- f) **Nie wystawiać akumulatora ani narzędzia na działanie płomienia lub zbyt wysokiej temperatury.** Narażenie na działanie płomienia lub temperatury powyżej 130°C może spowodować wybuch. UWAGA Temperaturę „130°C” można zastąpić temperaturą „265 °F”.
- g) **Przestrzegać wszystkich instrukcji ładowania i nie ładować akumulatora ani narzędzia poza zakresem temperatury podanym w instrukcji.** Nieprawidłowe ładowanie lub ładowanie w temperaturze poza podanym zakresem może spowodować uszkodzenie akumulatora i zwiększyć ryzyko pożaru.
- 6) **Serwis**
- a) **Zlecać serwisowanie elektronarzędzia wykwalifikowanemu technikowi stosującemu jedynie części zamienne identyczne z oryginalnymi.** Zapewni to zachowanie bezpieczeństwa elektronarzędzia.
- b) **Nigdy nie serwisować uszkodzonych akumulatorów.** Serwisowanie akumulatorów może przeprowadzać wyłącznie producent lub autoryzowany serwis.

DODATKOWA INSTRUKCJA BEZPIECZEŃSTWA DLA ŁADOWARKI AKUMULATORÓW

Wymogi bezpiecznego użytkowania zostały uwzględnione w konstrukcji ładowarki. Wszelkie modyfikacje, adaptacje, modyfikacje lub użytkowanie niezgodnie z przeznaczeniem mogą ograniczać bezpieczeństwo urządzenia. Poza tym takie działania spowodują unieważnienie gwarancji.



Przechowywać w miejscu niedostępnym dla dzieci!

- Unikać zagrożenia dla zdrowia i ryzyka obrażeń ciała w wyniku błędnego użytkowania!
- Nie używać urządzenia, jeśli kable, kabel sieciowy lub wtyczka są uszkodzone. Uszkodzony kabel sieciowy stanowi zagrożenie dla życia w wyniku ryzyka porażenia prądem.
- Zlecać naprawę uszkodzonego kabla sieciowego wyłącznie autoryzowanym i przeszkolonym specjalistom! Jeśli konieczna jest naprawa, proszę skontaktować się z serwisem dla swojego kraju
- Ryzyko porażenia prądem! W przypadku akumulatorów na stałe zamontowanych w pojeździe, sprawdzić, czy pojazd jest wyłączony! Wyłączyć zapłon i zaciągnąć hamulec ręczny (w samochodzie) lub przymocować pojazd liną (np. łożdź elektryczna)!
- Ryzyko porażenia prądem! Odłączyć ładowarkę od zasilania sieciowego przed podłączeniem lub odłączeniem złącza do/od akumulatora.
- Najpierw podłączyć zacisk nie podłączony do karoserii samochodu.
- Podłączyć drugi zacisk do karoserii samochodu, z dala od akumulatora i przewodów paliwowych. Dopiero wtedy podłączyć ładowarkę do zasilania.
- Po zakończeniu ładowania odłączyć ładowarkę od zasilania.



Ryzyko porażenia prądem! Dotykać kabli podłączania złącza („-” i „+”) tylko w miejscach izolowanych!

- Ryzyko porażenia prądem! Zapewnić połączenie z akumulatorem i gniazdkiem zasilania sieciowego całkowicie chronione przed wilgocią.
- Ryzyko porażenia prądem! Montować, konserwować i pielegnować ładowarkę tylko wtedy,

gdy jest odłączona od zasilania sieciowego!

- Ryzyko porażenia prądem! Po zakończeniu ładowania i rozładowania, w przypadku akumulatorów zamontowanych w pojeździe na stałe, najpierw odłączyć kabel podłączania złącza ujemnego (czarny) od złącza ujemnego akumulatora.
- Nie pozostawiać dzieci bez nadzoru z ładowarką!
- Dzieci nie potrafią ocenić niebezpieczeństwa związanego z obchodzeniem się z urządzeniami elektrycznymi. Zawsze nadzorować dzieci, aby dopilnować, że nie będą bawić się narzędziem.



Ryzyko wybuchu! Zapewnić ochronę przed wysoce wybuchową reakcją wodoru i tlenu! Akumulator może emitować wodór podczas ładowania i podładowywania. Mieszanka tlenowodorowa jest wybuchowym połączeniem wodoru i tlenu. Kontakt z otwartym płomieniem (płomień, rozżarzone węgle lub iskry) spowoduje reakcję wybuchową! Przeprowadzać ładowanie i doładowywanie w dobrze wentylowanym pomieszczeniu chronionym przed wpływem warunków atmosferycznych. Dopilnować, aby podczas ładowania i doładowania nie było otwartego płomienia!

- Ryzyko wybuchu i pożaru! Wykluczyć ryzyko zapłonu materiałów wybuchowych lub łatwopalnych, takich jak benzyna lub rozpuszczalniki, podczas korzystania z ładowarki!
- Wybuchowe gazy! Unikać płomieni i iskieł!
- Zapewnić odpowiednią wentylację podczas ładowania.
- Umieścić akumulator na dobrze wentylowanej powierzchni podczas ładowania. Zignorowanie tego zalecenia może spowodować uszkodzenie urządzenia.



Ryzyko wybuchu! Dopilnować, aby kabel podłączania złącza dodatniego nie zetknął się z przewodem paliwowym.

- Ryzyko poparzenia chemicznego! Chronić oczy i skórę przed żrącym działaniem kwasów podczas dotykania akumulatora!
- Używać kwasoodpornych okularów, ubrań i rękawic! Jeśli dojdzie do styczności oczu lub skóry z kwasem siarkowym, przepłukać miejsce styczności dużą ilością czystej wody i nie-

zwłocznie uzyskać pomoc lekarską!

- Unikać zwarcí elektrycznych podczas podłączania ładowarki do akumulatora. Podłączać wyłącznie kabel podłączania złącza ujemnego do ujemnego złącza akumulatora lub karoserii samochodu. Podłączać wyłącznie kabel podłączania złącza dodatniego do dodatniego złącza akumulatora!
- Przed podłączeniem do zasilania sieciowego, sprawdzić, czy zasilanie sieciowe spełnia poniższe parametry: 230 V~ 50 Hz, przewód zerowy, bezpiecznik 16 A i wyłącznik różnicowoprądowy! Zignorowanie tego zalecenia może spowodować uszkodzenie urządzenia.
- Nie umieszczać ładowarki w pobliżu ognia, źródeł ciepła i nie narażać jej przez długi okres na temperatury powyżej 50°C! Moc zasilania ładowarki samoczynnie spada w wyższych temperaturach.
- Dopilnować, aby podczas montażu ładowarki nie doszło do uszkodzenia śrubami przewodów paliwowych, kabli elektrycznych, przewodów hydraulicznych i rur z wodą! W przeciwnym razie grozi ryzyko śmierci lub obrażeń ciała!
- Używać ładowarki wyłącznie w połączeniu z dołączonymi do niej oryginalnymi częściami!
- Niczym nie przykrywać ładowarki! Zignorowanie tego zalecenia może spowodować uszkodzenie urządzenia.
- Chronić powierzchnie styków elektrycznych akumulatora przez zwarcie!
- Używać ładowarki wyłącznie do ładowania i doładowywania nieuszkodzonych akumulatorów kwasowo-ołowiowych o napięciu 6 V/12 V (z elektrolitem lub żelem)! W przeciwnym razie może dojść do uszkodzenia mienia.
- Nie używać ładowarki do ładowania lub doładowywania zwykłych baterii. W przeciwnym razie może dojść do uszkodzenia mienia.
- Nie używać ładowarki do ładowania lub doładowywania uszkodzonych lub zamrzniętych akumulatorów! W przeciwnym razie może dojść do uszkodzenia mienia.
- Przed podłączeniem ładowarki skorzystać z instrukcji akumulatora, aby uzyskać informacje o konserwacji akumulatora! W przeciwnym razie istnieje ryzyko obrażeń ciała i/lub uszkodzenia urządzenia.
- Przed podłączeniem ładowarki do akumulatora na stałe podłączonego do pojazdu, skorzystać z instrukcji obsługi pojazdu, aby uzyskać

informacje na temat zachowania bezpieczeństwa elektrycznego i prawidłowej konserwacji! W przeciwnym razie istnieje ryzyko obrażeń ciała i/lub uszkodzenia mienia.

- Odłączać także ładowarkę od zasilania sieciowego, kiedy nie jest używana, ze względów ekologicznych! Pamiętać, że praca w trybie gotowości również powoduje zużywanie energii.
- Zawsze zachowywać czujność i uważać, co się robi. Zawsze pracować ostrożnie i nie obsługiwać ładowarki przy złym samopoczuciu.

2. INFORMACJE O URZĄDZENIU

Przeznaczenie

To urządzenie jest przeznaczone do ładowania różnych akumulatorów typu SLA (szczelnie zamkniętych akumulatorów kwasowo-ołowiowych), stosowanych głównie w samochodach, motocyklach i innych pojazdach. Obsługiwane typy akumulatorów, to akumulatory zwykłe, akumulatory do pracy cyklicznej, żelowe lub kwasowo-ołowiowe AGM. Specjalna konstrukcja urządzenia pozwala na naładowanie akumulatora do prawie 100% jego pojemności.

DANE TECHNICZNE

Nr modelu	BC501AC
Napięcie w sieci elektrycznej	230 V~
Częstotliwość sieciowa	50 Hz
Moc pobierana	350 W
Prąd wsteczny (brak wejścia prądu zmiennego)	<5 mA
Znamionowe napięcie wyjściowe	6 V/12 V
Natężenie ładowania	2 A/6 A/15 A +/-10%
Obsługiwane typy akumulatorów	Zwykłe/do pracy cyklicznej/żelowe/AGM
Obsługiwane pojemności akumulatorów	8-210 Ah
Stopień ochrony	IP20
Natężenie rozruchowe	Maks. 75 A
Interwał użytkowania w trybie rozruchu	3 s Wł./180 s WYł.

OPIS

Liczby w tekście odnoszą się do rysunków na stronie 2.

1. Przycisk DISPLAY (wyświetlacz)
2. Przycisk BATTERY TYPE (typ akumulatora)
3. Przycisk MODE (tryb)
4. Zacisk ujemny (-)
5. Zacisk dodatni (+)
6. Wyświetlacz cyfrowy
7. Kabel zasilający
8. Bezpiecznik z pokrywą

3. OBSŁUGA



Odłączyć wtyczkę zasilania sieciowego od gniazdka przed wykonaniem jakichkolwiek prac dotyczących ładowarki. Ryzyko porażenia prądem! Ryzyko uszkodzenia mienia! Ryzyko obrażeń ciała!

Podłączenie

- Przed rozpoczęciem ładowania i doładowywania akumulatora na stałe podłączonego do pojazdu, najpierw odłączyć kabel ujemne złącze akumulatora od pojazdu.
- Następnie odłączyć dodatnie złącze akumulatora od pojazdu.
- Dopiero potem podłączyć dodatni zacisk ładowarki (czerwony) (5) do dodatniego (+) złącza akumulatora.
- Na koniec podłączyć ujemny zacisk ładowarki (czarny) (4) do ujemnego (-) złącza akumulatora.

Uwaga: Po poprawnym podłączeniu zacisków na wyświetlaczu (6) pojawi się napięcie i zaświeci kontrolka „Connected” (podłączone).

Jeśli dojdzie do przypadkowej zamiany biegunów, na wyświetlaczu (6) pojawi się odczyt „0.0” i zaświeci kontrolka „+/- Error” (Błąd +/-), sygnalizując błąd biegunów.

Odłączanie

- Najpierw odłączyć ładowarkę od zasilania sieciowego.
- Odłączyć ujemny (czarny) zacisk (4) od złącza akumulatora.
- Odłączyć dodatni (czerwony) zacisk (5) od złącza akumulatora.
- Ponownie podłączyć dodatni zacisk akumulatora

ra do złącza dodatniego pojazdu.

- Ponownie podłączyć ujemny zacisk akumulatora do złącza ujemnego pojazdu.

Wybieranie trybu ładowania

Można ładować różne akumulatory w różnych temperaturach otoczenia, korzystając z odmiennych trybów ładowania. Bezpieczny proces ładowania chroni przed błędnym podłączeniem i zwarciami. Wbudowana elektronika nie włącza ładowarki od razu po podłączeniu, ale dopiero po wybraniu trybu ładowania.

- Jeśli zaświeci kontrolka „+/- Error” (Błąd +/-), sprawdzić, czy zaciski (4 i 5) są prawidłowo podłączone do akumulatora i czy wybrano prawidłowy typ akumulatora w ładowarce.

Przycisk DISPLAY (wyświetlacz) (1)

Naciskać ten przycisk, aby przełączać kolejno różne tryby wyświetlania. Wybrany tryb wyświetlania jest oznaczony kontrolką obok przycisku. Dostępne są następujące tryby:

- Battery %: (% akumulatora) wyświetla aktualny poziom naładowania podłączonego akumulatora w zakresie od 0% (rozładowany) do 100% (całkowicie naładowany)
- Voltage (Napięcie): wskazuje napięcie podłączonego akumulatora
- Alternator %: wyświetla moc ładowania w zakresie od 0% (wyłączony) do 100% (pełna moc)

Przycisk BATTERY TYPE (typ akumulatora) (2)

Naciskać ten przycisk, aby przełączać między różnymi typami akumulatorów.



Uważnie wybrać odpowiedni typ akumulatora przed rozpoczęciem ładowania.

Aktualnie wybrany typ akumulatora jest oznaczony kontrolką obok przycisku BATTERY TYPE (2).

Obsługiwane są następujące typy akumulatorów:

- 12 V Regular (zwykły)
- 12 V Deep cycle (głęboki cykl)
- 12 V Gel / AGM (żelowy/AGM)
- 6 V Regular (zwykły)

Uwaga: Po podłączeniu ładowarka automatycznie wykryje napięcie akumulatora. Jeśli ładowarka nieprawidłowo wykrywa akumulator 12 V jako akumulator 6 V, oznacza to, że akumulator jest uszkodzo-

ny i/lub nadmiernie rozładowany. Uszkodzone akumulatory należy wymienić i nie podejmować prób ich ładowania.

Przycisk MODE (tryb) (3)

Naciskać ten przycisk, aby przełączać kolejno między różnymi trybami pracy. Do wyboru dostępne są następujące tryby:

- Fast charge (Szybkie ładowanie): Służy do szybkiego ładowania akumulatora. Zalecane ustawienie do niskich temperatur otoczenia.
- Normal charge (Normalne ładowanie): Normalny proces ładowania.
- Start (Rozruch): Dostarcza przez chwilę wysokie natężenie w celu uruchomienia pojazdu z silnie lub całkowicie rozładowanym akumulatorem.

Korzystanie z trybu rozruchu

Uwaga: Tryb rozruchu można wyłączyć jedynie poprzez odłączenie wtyczki sieciowej (7).



OSTRZEŻENIE! Zawsze wykonywać połączenia we właściwej kolejności zgodnie z opisem w niniejszej instrukcji obsługi.

W przeciwnym razie może dojść do uszkodzenia elektroniki pojazdu. Postępowanie niezgodnie z wymogami technicznymi zwalnia producenta z odpowiedzialności. Tryb rozruchu nie nadaje się do akumulatorów o pojemności poniżej 45 Ah. Użycie tego trybu z akumulatorem <45 Ah może spowodować uszkodzenie akumulatora. Zwrócić uwagę, że niektóre silniki wysokoprężne i silniki benzynowe o dużej pojemności skokowej wymagają prądu rozruchowego przekraczającego obsługiwane maksymalne natężenie tego urządzenia (75 A). Jeśli akumulator jest całkowicie rozładowany, maksymalne natężenie 75 A może być niewystarczające do uruchomienia takich silników.

Ładowarka jest wyposażona w program analityczny chroniący akumulator przed uszkodzeniem (np. nagłym spadkiem napięcia), szczególnie podczas uruchamiania pojazdu z zewnętrznego źródła zasilania. W celu ochrony akumulatora to urządzenie nie włączy funkcji uruchamiania pojazdu, jeśli akumulator jest silnie rozładowany lub obciążony. Podczas tego procesu akumulator jest ładowany z niskim natężeniem i kontrolka „Charging” świeci.

Na wyświetlaczu nadal widoczne jest "0". W takim przypadku funkcji rozruchu pojazdu nie można użyć w celu ochrony akumulatora przed uszkodzeniem. Należy najpierw ładować przez jakiś czas akumulator z użyciem trybu normalnego lub szybkiego ładowania, a dopiero potem spróbować ponownie użyć funkcji rozruchu.

- Podłączyć kabel zasilający (7) do gniazdka sieciowego.
- Podłączyć dodatni (czerwony) zacisk (5) do dodatniego (+) złącza akumulatora.
- Podłączyć ujemny (czarny) zacisk (4) do ujemnego (-) złącza akumulatora.
- Jeśli zaciski są podłączone poprawnie, ładowarka automatycznie wybierze poprawny typ akumulatora.
- Sprawdzić wskazanie kontrolki typu akumulatora i dostosować ustawienie w razie potrzeby przyciskiem BATTERY TYPE (typ akumulatora) (2).
- Teraz wybrać tryb „Start” przyciskiem MODE (tryb) (3). Ładowarka przeanalizuje poziom naładowania akumulatora i na wyświetlaczu (6) pojawi się „0”.
- Uruchomić zapłon pojazdu. Na wyświetlaczu pojawi się ekran 5-sekundowego odliczania: 2 sekundy wstępnego ładowania/analizy, po których następują 3 sekundy prądu rozruchowego.
- Podczas odliczania ładowarka przez chwilę dostarcza prąd z natężeniem 75 A w celu uruchomienia silnika. Po odliczaniu następuje 180 s przerwy w celu ochrony akumulatora.
- Po upływie 180 sekund przerwy cykl zostaje uruchomiony od nowa (2 sekundy analizy, 3 sekundy rozruchu, 180 sekund przerwy), co pozwala na ponowną próbę uruchomienia silnika.
- Aby odłączyć ładowarkę: najpierw odłączyć ujemny (czarny) zacisk (4) od złącza akumulatora, a następnie odłączyć dodatni (czerwony) zacisk (5) od złącza akumulatora.

Tryb odnawiania akumulatora

Silnie rozładowane akumulatory 12 V można odnowić z użyciem ładowarki przed rozpoczęciem właściwego ładowania. Kiedy napięcie akumulatora mieści się w zakresie od 8,5 do 10,5 V, ładowarka automatycznie przechodzi w tryb odnawiania. Podczas odnawiania kontrolka „Charging” miga, a ładowarka ładuje akumulator z natężeniem 2

A przez 2 sekundy, po czym wstrzymuje ładowanie na 1 sekundę. Ten cykl jest powtarzany przez 10 minut. Po zakończeniu odnawiania ładowarka ponownie zmierzy napięcie akumulatora.

- Jeśli napięcie przekracza wtedy 10,5 V, automatycznie rozpocznie się ładowanie w trybie 12 V.
- Jeśli napięcie nadal wynosi poniżej 10,5 V, akumulator należy uznać za uszkodzony. Ładowanie zostanie zatrzymane i na wyświetlaczu pojawi się „Err” w celu zasygnalizowania wystąpienia błędu.

4. KONSERWACJA



Zawsze odłączać kabel zasilający od gniazda sieciowego przed rozpoczęciem prac konserwacyjnych dotyczących ładowarki.

Wymiana bezpiecznika (rys. B1, B2)

Postępować zgodnie z poniższą procedurą w celu wymiany bezpiecznika ładowarki:

- Odłączyć kabel zasilający od gniazda sieciowego.
- Zdjąć pokrywę bezpiecznika (8), wciskając bok pokrywki.
- Wykręcić bezpiecznik odpowiednim kluczem maszynowym lub nasadkowym.
- Wymienić bezpiecznik

Czyszczenie

- Czyścić metalowe i plastikowe części maszyny suchą ściereczką
- Nie używać żadnych ściernych produktów czyszczących.
- Nie używać żadnych rozpuszczalników, takich jak benzyna, alkohol, amoniak itp.

ŚRODOWISKO



Uszkodzone i/lub niepotrzebne urządzenia elektryczne lub elektroniczne podlegają zbiórce w odpowiednich punktach recyklingu.

Tylko kraje WE

Nie wyrzucać elektronarzędzi wraz z odpadami z gospodarstw domowych. Zgodnie z dyrektywą 2012/19/WE dotyczącą zużytych urządzeń elektrycznych i elektronicznych oraz jej wdrożeniem do prawo-

dawstwa krajowego, elektronarzędzia, które już nie nadają się do użytku, podlegają oddzielnej zbiórce oraz utylizacji w sposób przyjazny dla środowiska.

GWARANCJA

Produkty VONROC są wytwarzane zgodnie z najwyższymi standardami jakości i producent udziela gwarancji na wady materiałowe i wady wykonania na okres wymagany prawem, licząc od dnia zakupu. Jeśli wystąpi usterka produktu w tym okresie spowodowana wadą materiałową i/lub wadą wykonania, proszę bezpośrednio skontaktować się ze sprzedawcą VONROC.

Następujące okoliczności powodują unieważnienie gwarancji:

- Przeprowadzono naprawy lub modyfikacje narzędzia w serwisie innym lub autoryzowany lub podjęto ich próbę,
- Normalne zużycie,
- Narzędzie było używane niezgodnie z przeznaczeniem, źle z nim się obchodzono lub było nieprawidłowo konserwowane,
- Użyto części zamiennych innych niż oryginalne.

Niniejsza gwarancja to wyłączna gwarancja producenta i nie obowiązują żadne inne wyrażone ani dorozumiane gwarancje. Nie obowiązują żadne inne wyrażone ani dorozumiane gwarancje o zakresie przekraczającym niniejszą gwarancję, co obejmuje dorozumiane gwarancje przydatności do sprzedaży i przydatności do określonego celu. W żadnym przypadku firma VONROC nie ponosi odpowiedzialności za straty przypadkowe lub wynikowe. Zadośćuczynienie sprzedawcy jest ograniczone do naprawy lub wymiany niezgodnych urządzeń lub części.

Produkt i instrukcja obsługi podlegają zmianom. Dane techniczne podlegają zmianom bez uprzedzenia.

1. INSTRUCȚIUNI DE SIGURANȚĂ

Citiți avertizările de siguranță, avertizările de siguranță suplimentare și instrucțiunile. Nerespectarea avertizărilor de siguranță poate cauza producerea de electrocutări, incendii și/sau răniri grave. Păstrați avertizările de siguranță și instrucțiunile pentru referințe viitoare.

Următoarele simboluri sunt utilizate în acest manual sau pe produs:



Citiți manualul de utilizare.



Indică riscul de rănire, pierderea vieții sau deteriorarea sculei în cazul în care nu se respectă instrucțiunile din acest manual.



Indică pericolul de electrocutare.



Indică pericolul de explozie.



Nu scoateți din uz produsul în containere neadecvate.



În conformitate cu standardele de siguranță aplicabile și cu directivele europene.

AVERTISMENTE GENERALE DE SIGURANȚĂ PRIVIND UNELTELE ELECTRICE



AVERTISMENT! Citiți toate avertismentele de siguranță și toate instrucțiunile.

Nerespectarea avertismentelor și instrucțiunilor poate cauza producerea de electrocutări, incendii și/sau răniri grave.

Păstrați toate avertismentele și instrucțiunile pentru consultare ulterioară.

Termenul „unealtă electrică” din avertismente se referă la unealta electrică (cu cablu) alimentată de la rețea sau la unealta electrică cu acumulator (fără fir).

1) Siguranța zonei de lucru

- a) **Păstrați zona de lucru curată și bine iluminată.** Zonele dezordonate sau întunecate duc la accidente.
- b) **Nu operați uneltele electrice în atmosfere explozive, cum ar fi în prezența lichidelor, gazelor sau pulberilor explozive.** Uneltele electrice generează scântei care pot aprinde pulberea sau fumurile inflamabile.

- c) **Țineți la distanță copiii și persoanele din jur în timp ce operați o unealtă electrică.** Distragerile vă pot cauza pierderea controlului.
- 2) Siguranța electrică**
- a) **Ștecherile uneltelor electrice trebuie să se potrivească cu priza. Nu modificați niciodată în nici un fel mufele. Nu folosiți adaptoare de priză cu scule electrice legate de pământ (împământate).** Mufele nemodificate și prizele adecvate reduc riscul șocului electric.
- b) **Evitați contactul corpului cu suprafețele împământate precum țevi, radiatoare, cuptoare și frigidere.** Există un risc mai mare de electrocutare dacă vă este corpul împământat.
- c) **Nu expuneți uneltele electrice la ploaie sau condiții de umezeală.** Apa care pătrunde într-o unealtă electrică va spori riscul de electrocutare.
- d) **Nu manipulați necorespunzător cablul. Nu folosiți niciodată cordonul pentru a purta, a trage sau a deconecta unealta. Feriți cordonul de căldură, ulei, margini ascuțite sau piese mobile.** Cordoane distruse sau încurcate cresc riscul de electrocutare.
- e) **Atunci când operați o unealtă electrică în aer liber, utilizați un cablu prelungitor pentru exterior.** Folosirea unui cordon potrivit pentru utilizarea în exterior reduce riscul de șoc electric.
- f) **În cazul în care operarea unei unelte electrice într-un spațiu cu umiditate nu poate fi evitată, utilizați o alimentare cu protecție pentru dispozitivele de curent rezidual (RCD).** Utilizarea unui RCD reduce riscul de electrocutare.
- 3) Siguranța personală**
- a) **Fiți precauți, fiți atenți la ceea ce faceți și respectați regulile de bun simț atunci când operați o unealtă electrică. Nu utilizați o unealtă electrică atunci când sunteți obosit sau sub influența medicamentelor, alcoolului sau medicației.** Un moment de neatenție în timpul operării uneltelor electrice poate conduce la vătămări corporale grave.
- b) **Utilizați echipamentul de protecție corporală. Purtați întotdeauna protecție pentru ochi.** Echipamentul de protecție precum masca de praf, pantofii de protecție antiderapanți, casca de protecție sau protecția auzului utilizate în condiții adecvate vor reduce rănilor personale.
- c) **Preîntâmpinați pornirea accidentală. Asigurați-vă că comutatorul este în poziția oprit înainte de a vă conecta la sursa de alimentare și / sau la baterie, de a ridica sau purta instrumentul.** Purtarea de unelte electrice ținând degetul pe comutator sau alimentarea uneltelor electrice care au comutatorul pornit duce la accidente.
- d) **Îndepărtați orice cheie sau clește de reglare înainte de a porni unealta electrică.** O cheie sau un clește rămas atașat la o componentă rotativă a uneltei electrice poate conduce la vătămări corporale.
- e) **Nu vă întindeți pentru a utiliza unealta de lucru. Mențineți-vă întotdeauna stabilitatea și echilibrul.** Acest lucru permite un control mai bun al uneltei electrice în situații neașteptate.
- f) **Îmbrăcați-vă corespunzător. Nu purtați haine largi sau bijuterii. Țineți-vă părul, îmbrăcămintea și mănușile departe de piesele mobile.** Hainele largi, bijuteriile sau părul lung pot fi prinse în părțile mobile.
- g) **În cazul în care dispozitivele prezintă posibilitatea conectării de accesorii pentru aspirația și colectarea prafului, asigurați-vă că aceste accesorii sunt conectate și utilizate în mod corespunzător.** Utilizarea colectării prafului poate reduce pericolele legate de praf.
- h) **Nu lăsați ca obișnuința obținută prin utilizarea frecventă a uneltelor să vă permită să deveniți impasibil și să ignorați principiile de siguranță în utilizarea uneltelor.** O acțiune neglijentă poate provoca accidente grave într-o fracțiune de secundă.
- 4) Utilizarea și îngrijirea uneltelor electrice**
- a) **Nu forțați unealta electrică. Utilizați unealta electrică adecvată aplicației dvs.** Unealta electrică corectă va face munca mai bine și mai sigur la rata pentru care a fost proiectată.
- b) **Nu utilizați unealta electrică în cazul în care întrerupătorul nu comută în poziția pornit și oprit.** Orice unealtă electrică care nu poate fi controlată cu comutatorul este periculoasă și trebuie reparată.
- c) **Deconectați ștecherul de la sursa de alimentare și/sau acumulatorul de la unealta electrică înainte efectuării oricărui reglaje, modificării accesoriilor sau depozitării uneltelor electrice.** Aceste măsuri preventive de precauție reduc riscul de pornire accidentală.
- d) **Nu depozitați uneltele electrice în stare inactivă la îndemâna copiilor și nu permiteți persoanelor nefamiliarizate cu unealta de lucru sau**

cu aceste instrucțiuni să o utilizeze. Unelele electrice sunt periculoase în mâinile utilizatorilor neinstruiți.

- e) **Efectuați întreținerea uneltelor electrice. Verificați dacă piesele mobile sunt nealiniate sau înțepenite, dacă există piese sparte și în orice altă stare care poate să afecteze operarea unelei electrice. În cazul deteriorării, reparați unealta electrică înainte de uz.** Multe accidente sunt cauzate de unelte electrice slab întreținute.
- f) **Păstrați uneltele de tăiat ascuțite și curate.** Uneltele de tăiat corect întreținute cu muchii ascuțite au mai puține șanse să se lege și sunt mai ușor de controlat.
- g) **Utilizați unealta electrică, accesoriile și cuțitele unelei etc. conform acestor instrucțiuni, ținând cont de condițiile de lucru și de lucrarea ce trebuie să fie efectuată.** Utilizarea unelei electrice pentru operații diferite de cele pentru care a fost proiectată poate avea ca rezultat o situație periculoasă.
- h) **Țineți mânerul și suprafețele de prindere uscate, curate și lipsite de ulei și unsoare.** Mânere și suprafețele de prindere alunecoase nu permit manipularea și controlul unelei în de siguranță în situații neașteptate.

5) Utilizarea și îngrijirea bateriei unelei

- a) **Reîncărcați folosind exclusiv încărcătorul specificat de către producător.** Un încărcător adecvat pentru un anumit tip de acumulator poate genera risc de incendiu atunci când este utilizat cu un alt tip de acumulator.
- b) **Utilizați uneltele electrice exclusiv împreună cu acumulatorii specificați.** Utilizarea oricăror alți acumulatori poate genera riscuri de vătămare și incendiu.
- c) **Atunci când nu folosiți acumulatorul, păstrați-l ferit de alte obiecte metalice, precum agrafe de birou, monede, chei, cuie, șuruburi sau alte obiecte metalice mici care pot realiza conexiunea între cele două borne.** Scurtcircuitarea bornelor acumulatorului poate determina arsuri sau incendii.
- d) **În condiții de utilizare incorectă, este posibil să fie evacuat lichid din baterie; evitați contactul cu acesta. În cazul în care se produce accidental contactul, clătiți cu apă. Dacă lichidul intră în contact cu ochii, solicitați ajutor medical suplimentar.** Lichidul scurs din acumulator poate cauza iritații sau arsuri.

- e) **Nu folosiți un acumulator sau o unealtă care este deteriorată sau modificată.** Acumulatorii deteriorați sau modificați pot avea un comportament imprevizibil care rezultă în foc, explozie sau risc de rănire.
- f) **Nu expuneți acumulatorul sau unealta la foc sau temperatură excesivă.** Expunerea la foc sau temperaturi de peste 130 °C poate provoca explozie. **OBSERVAȚIE** Temperatura „130 °C” poate fi înlocuită cu temperatura „265 °F”.
- g) **Respectați toate instrucțiunile de încărcare și nu încărcați acumulatorul sau unealta în afara intervalului de temperatură specificat în instrucțiuni.** Încărcarea necorespunzătoare sau la temperaturi în afara domeniului specificat poate deteriora acumulatorul și poate crește riscul de incendiu.

6) Service

- a) **Prevedeți repararea unelei electrice de către o persoană calificată, folosind exclusiv piese de schimb identice.** Acest lucru va garanta păstrarea în siguranță a unelei electrice.
- b) **Niciodată nu serviți acumulatorii deteriorați.** Servisarea acumulatorilor ar trebui să fie efectuată numai de către producător sau furnizorii autorizați de service.

INSTRUCȚIUNI SUPLIMENTARE DE SIGURANȚĂ PENTRU ÎNCĂRCĂTOARE

La proiectarea încărcătorului au fost luate în considerare cerințele pentru o utilizare sigură. Orice modificare, adaptare, conversie sau altă utilizare poate afecta siguranța aparatului. În plus, garanția nu va mai fi valabilă din această cauză.



A se ține într-un loc ferit de accesul copiilor!

- Evitați pericolul pentru viață și riscul de rănire din cauza utilizării necorespunzătoare!
- Nu utilizați aparatul dacă cablurile, cablurile de alimentare sau fișa sunt deteriorate. Un cablu de rețea deteriorat indică un pericol de moarte din cauza unui șoc electric.
- Reparați un cablu de alimentare deteriorat numai de către profesioniști autorizați și instruiți! În cazul în care este necesară o reparație, vă rugăm să contactați centrul de service din țara dvs

- Pericol de electrocutare! Pentru bateriile montate permanent într-un vehicul, verificați dacă vehiculul este oprit! Decuplați contactul și puneți vehiculul în parcare cu frâna de mână acționată (de ex. autoturism) sau cu ancora (de ex. barcă electrică)!
- Pericol de electrocutare! Deconectați încărcătorul auto de la rețeaua electrică înainte de a conecta sau de a scoate conectorii la/de la baterie.
- Conectați mai întâi clema care nu este conectată la caroseria mașinii.
- Conectați cealaltă clemă la caroseria mașinii, departe de baterie și de conducta de carburant. Apoi, conectați încărcătorul auto doar la sursa de alimentare.
- Deconectați încărcătorul auto de la sursa de alimentare după încărcare.



Pericol de electrocutare! Atingeți cablurile de conectare a terminalelor („-” și „+”) numai în zona izolată!

- Pericol de electrocutare! Stabiliți conexiunea la baterie și la priza de curent electric complet protejată de umiditate.
- Pericol de electrocutare! Asamblați, întrețineți și îngrijiți încărcătorul auto numai în timp ce este deconectat de la rețeaua electrică!
- Pericol de electrocutare! După finalizarea procesului de încărcare și descărcare, în cazul bateriilor instalate permanent în vehicule, deconectați mai întâi cablul de conectare a terminalului negativ al încărcătorului (negru) de la terminalul negativ al bateriei.
- Nu lăsați copiii mici sau copiii nesupravegheați să se joace cu încărcătorul auto!
- Copiii nu sunt încă în măsură să evalueze potențialul pericol în manipularea aparatelor electrice. Supravegheați întotdeauna copiii pentru a vă asigura că aceștia nu se joacă cu aparatul.



Pericol de explozie! Protejați-vă împotriva unei reacții foarte explozive a hidroxigenului! Bateria poate să emită hidrogen gazos în timpul încărcării și al încărcării prin impulsuri. Hidroxigenul este un amestec exploziv de hidrogen gazos și oxigen. Contactul cu focul deschis (flăcări, cărbuni sau scânteii) va provoca așa-numita reacție de hidroxigen! Efectuați încărcarea și

reîncărcarea prin impulsuri într-o încăpere bine ventilată și ferită de intemperii. Asigurați-vă că nu există foc deschis în timpul încărcării și al încărcării de mentenanță!

- Pericol de explozie și pericol de incendiu! Asigurați-vă că nu există nicio posibilitate de aprindere a materialelor explozive sau inflamabile, cum ar fi benzina sau solvenții, în timpul utilizării încărcătorului!
- Gaze explozive! Evitați flăcările și scânteile!
- Asigurați o ventilație adecvată în timpul încărcării.
- Așezați bateria pe o suprafață bine ventilată în timpul încărcării. Ignorarea acestui lucru poate deteriora aparatul.



Pericol de explozie! Asigurați-vă că cablul de conectare a terminalului pozitiv nu intră în contact cu conductele de combustibil.

- Pericol de arsuri chimice! Protejați-vă ochii și pielea împotriva coroziunii cauzate de acizi atunci când intrați în contact cu bateria!
- Folosiți ochelari de protecție, îmbrăcăminte și mănuși rezistente la acizi! În cazul în care ochii sau pielea au intrat în contact cu acidul sulfuric, clătiți zona corpului afectată cu multă apă curată și consultați imediat un medic!
- Evitați scurtcircuiturile electrice atunci când conectați încărcătorul auto la baterie. Conectați cablul de conectare a bornei negative numai la borna negativă a bateriei sau la caroseria mașinii. Conectați cablul de conectare a bornei pozitive numai la borna pozitivă a bateriei!
- Înainte de conectarea la rețea, verificați dacă rețeaua electrică are tensiunea necesară de 230 V~ 50 Hz, cablul neutru, o siguranță de 16 A și un întrerupător ELCB (întrerupător de circuit de scurgere la pământ)! Ignorarea acestei indicații poate deteriora aparatul.
- Nu așezați încărcătorul în apropierea focului, a căldurii și a temperaturilor prelunge de peste 50 °C! Puterea de ieșire a încărcătorului auto scade automat la temperaturi mai ridicate.
- Asigurați-vă că nici o conductă de combustibil, cabluri electrice, conducte hidraulice, conducte de apă nu sunt deteriorate de șuruburi în timpul asamblării încărcătorului! În caz contrar există riscul de moarte sau de rănire!

- Utilizați încărcătorul auto numai cu piesele originale incluse!
- Nu acoperiți încărcătorul auto cu obiecte! Ignorarea acestei indicații poate deteriora aparatul.
- Protejați suprafețele contactelor electrice ale bateriei împotriva scurtcircuitelor!
- Utilizați încărcătorul auto numai pentru încărcarea și întreținerea bateriilor cu plumb de 6 V- / 12 V nedeteriorate (cu soluție de electrolit sau gel)! În caz contrar, se pot produce daune materiale.
- Nu folosiți încărcătorul auto pentru încărcarea sau încărcarea prin impulsuri a bateriilor care nu sunt reîncărabile. În caz contrar, se pot produce daune materiale.
- Nu folosiți încărcătorul auto pentru a încărca sau pentru a încărca o baterie deteriorată sau înghețată! În caz contrar, se pot produce daune materiale.
- Înainte de a conecta încărcătorul, consultați instrucțiunile de utilizare originale ale bateriei pentru informații privind întreținerea bateriei! În caz contrar, există riscul de rănire și/sau de deteriorare a aparatului.
- Înainte de a conecta încărcătorul la o baterie conectată permanent la un vehicul, consultați instrucțiunile de utilizare ale vehiculului pentru informații despre menținerea siguranței electrice și întreținere! În caz contrar, există riscul de rănire și/sau de deteriorare a bunurilor.
- De asemenea, deconectați încărcătorul auto de la rețeaua electrică atunci când nu este utilizat, din motive ecologice! Nu uitați că și funcționarea în standby consumă energie electrică.
- Fiți mereu în alertă și aveți grijă la ceea ce faceți. Acționați întotdeauna cu prudență și nu folosiți încărcătorul auto atunci când nu vă simțiți bine sau nu vă simțiți bine.

2. INFORMAȚII CU PRIVIRE LA MAȘINĂ

Domeniul de utilizare

Acest dispozitiv este conceput pentru a încărca o varietate de baterii SLA (sigilate cu plumb-acid) utilizate în principal la autoturisme, motociclete și alte vehicule. Tipurile de baterii acceptate sunt baterii cu plumb-acid obișnuite, cu ciclu profund, cu gel sau AGM. Designul special al dispozitivului permite încărcarea bateriei până aproape de 100% din capacitatea sa.

SPECIFICAȚII TEHNICE

Nr. model	BC501AC
Tensiune rețea	230V~
Frecvența prizei	50Hz
Puterea de alimentare	350W
Curent invers (fără intrare de curent alternativ)	<5mA
Tensiunea nominală de ieșire	6V / 12V
Curent de încărcare	2A / 6A / 15A +/-10%
Tipurile de baterie suportate	Ciclul normal / Ciclul profund / Gel / AGM
Capacitatea bateriei acceptate	8-210Ah
Clasă de protecție la infiltrații	IP20
Curent de pornire rapidă	75 A max.
Interval de utilizare la pornire	3s PORNIȚ / 180s OPRIT

DESCRIERE

Numerele din text se referă la diagramele de la pagina 2.

1. Butonul DISPLAY (ECRAN)
2. Butonul BATTERY TYPE (TIP BATERIE)
3. Butonul MODE (MOD)
4. Borna negativă (-)
5. Borna pozitivă (+)
6. Display digital
7. Cablu de alimentare
8. Siguranță cu capac

3. OPERAREA



Scoateți ștecherul de la priza de rețea înainte de a efectua orice lucrare la încărcătorul de baterii. Pericol de electrocutare! Pericol de deteriorare a bunurilor! Pericol de accidentare!

Conectarea

- Înainte de a încărca și de a reîncărca o baterie conectată permanent la un autovehicul, deconectați mai întâi borna negativă a bateriei de la autovehicul.
- Apoi deconectați borna pozitivă a bateriei de la vehicul.
- Doar apoi conectați clema pozitivă (roșie) a încărcătorului de baterie (5) la borna pozitivă (+) a bateriei.

- Conectați apoi clema negativă (neagră) a încărcătorului (4) la borna negativă (-) a bateriei.

Notă: Dacă clemele sunt conectate corect, afișajul (6) va indica tensiunea și se va aprinde indicatorul luminos „Conectat”.

Dacă polii sunt inversați din greșeală, afișajul (6) va indica „0.0” și indicatorul „Eroare +/-” se va aprinde pentru a semnala o eroare de polaritate.

Deconectarea

- Mai întâi deconectați încărcătorul de la rețeaua electrică.
- Îndepărtați clema negativă (neagră) (4) de la borna bateriei.
- Îndepărtați clema pozitivă (roșie) (5) de la borna bateriei.
- Reconectați borna pozitivă a bateriei la conexiunea pozitivă a vehiculului.
- Reconectați borna negativă a bateriei la conexiunea negativă a vehiculului.

Selectarea modului de încărcare

Puteți încărca o varietate de baterii la diferite temperaturi ambientale folosind diferitele moduri de încărcare. Procesul de încărcare sigură protejează împotriva conexiunilor defectuoase și a scurtcircuitelor. Sistemul electronic integrat nu pornește încărcătorul de baterii imediat după ce se face conexiunea, ci numai după ce a fost selectat un mod de încărcare.

- În cazul în care se aprinde indicatorul „Eroare +/-”, verificați dacă clemele (4 și 5) sunt conectate corect la baterie și dacă a fost selectat tipul corect de baterie pe încărcător.

Butonul DISPLAY (ECRAN) (1)

Apăsați acest buton pentru a trece de la un mod de afișare la altul. Modul de afișare selectat este indicat de luminile de lângă buton. Sunt disponibile următoarele moduri:

- % baterie: afișajul arată starea actuală de încărcare a bateriei conectate, de la 0% (fără încărcare) la 100% (încărcare completă)
- Tensiune: afișajul arată tensiunea bateriei conectate
- % alternator: afișajul arată puterea de ieșire a încărcătorului, de la 0% (oprit) la 100% (putere maximă)

Butonul BATTERY TYPE (TIP BATERIE) (2)

Apăsați acest buton pentru a trece de la un tip de baterie la altul.



Aveți grijă să selectați tipul corect de baterie înainte de a începe procesul de încărcare. Tipul de baterie selectat în prezent este indicat de luminile de lângă butonul BATTERY TYPE (TIP BATERIE) (2).

Sunt acceptate următoarele tipuri de baterii:

- 12V Regular
- 12V Ciclu profund
- 12V Gel / AGM
- 6V Regular

Notă: După conectarea încărcătorului, acesta va determina automat tensiunea bateriei. Dacă încărcătorul detectează încorect o baterie de 12 V ca fiind de 6 V, înseamnă că bateria este defectă și/sau complet descărcată. Bateriile defecte trebuie înlocuite, nu încercați să încărcați o baterie defectă.

Butonul MODE (MOD) (3)

Apăsați acest buton pentru a comuta între diferite moduri de funcționare. Pot fi selectate următoarele moduri:

- Încărcare rapidă: Încarcă rapid bateria. Setare recomandată pentru temperaturi ambiante scăzute.
- Încărcare normală: Procesul normal de încărcare.
- Start: Furnizează pe scurt un curent ridicat pentru a porni un vehicul cu o baterie slabă sau descărcată.

Utilizarea modului de pornire rapidă

Notă: Modul de pornire rapidă poate fi părăsit numai prin deconectarea cablului de alimentare (7).



AVERTISMENT! Efectuați întotdeauna conexiunile în ordinea corectă, așa cum este descris în acest manual de utilizare. În caz contrar, elementele electronice ale vehiculului pot fi deteriorate. Procedați în conformitate cu specificațiile pe propriul risc și pe propria răspundere. Modul de pornire rapidă nu este potrivit pentru bateriile cu o capacitate mai mică de 45Ah. Utilizarea acestui mod pe o baterie <45Ah ar putea duce la defectarea bateriei.

Rețineți că unele motoare diesel și unele motoare pe benzină de cilindree mare necesită un curent de pornire mai mare decât curentul maxim acceptat pentru acest aparat (75A) - dacă bateria este complet descărcată, curentul maxim de 75A poate să nu fie suficient pentru a porni aceste motoare.

Încărcătorul dispune de un program de analiză pentru a proteja bateria împotriva deteriorării (de exemplu, sulfatare sau căderi rapide de tensiune), în special în timpul pornirii în regim de salt. Pentru a proteja bateria, dispozitivul nu va porni pornirea starterului de pornire în cazul bateriilor foarte descărcate sau puternic solicitate. În timpul acestui proces, bateria va fi încărcată cu un curent redus, iar indicatorul „Încărcare” se va aprinde. Afișajul continuă să indice „0”. În acest caz, funcția de pornire rapidă nu poate fi utilizată pentru a proteja bateria de deteriorare. Trebuie să încărcați mai întâi bateria folosind modul Normal sau Încărcare rapidă (încărcare normală sau rapidă) pentru o perioadă de timp înainte de a încerca să utilizați din nou funcția de pornire rapidă.

- Conectați cablul de alimentare (7) la priza de curent.
- Conectați clema pozitivă (roșie) (5) la borna pozitivă (+) a bateriei.
- Conectați clema negativă (neagră) (4) la borna negativă (-) a bateriei.
- Dacă clemele de borne sunt conectate corect, încărcătorul va selecta automat tipul corect de baterie.
- Examinați indicatorul tipului de baterie și, dacă este necesar, reglați-l cu ajutorul butonului TIP BATERIE (2).
- Selectați acum modul de pornire cu ajutorul butonului MOD (3). Încărcătorul va analiza nivelul de încărcare al bateriei, iar pe afișajul (6) se va citi „0”.
- Porniți contactul vehiculului. Afișajul va afișa acum o numărătoare inversă de 5 secunde: 2 secunde de acționare/analiză, urmate de 3 secunde de pornire.
- În timpul numărătorii inverse, încărcătorul va furniza pentru scurt timp 75A pentru a porni motorul. Numărătoarea inversă este urmată de o pauză de 180 de secunde pentru a proteja bateria.

- După cele 180 de secunde de pauză, ciclul va reîncepe (2 secunde de amorsare, 3 secunde de pornire, 180 de secunde de pauză) și puteți încerca să porniți din nou motorul.
- Pentru a deconecta încărcătorul: scoateți mai întâi clema negativă (neagră) (4) de la borna bateriei, apoi scoateți clema pozitivă (roșie) (5) de la borna bateriei.

Modul de recondiționare a bateriei

Bateriile de 12 V foarte descărcate vor fi recondiționate de către încărcător înainte de începerea procesului de încărcare propriu-zis. Atunci când tensiunea bateriei este cuprinsă între 8,5 și 10,5 V, încărcătorul va intra automat în modul de recondiționare. În timpul procesului de recondiționare, indicatorul „Încărcare” va clipi, iar încărcătorul de baterii va încărca bateria cu un curent de încărcare de 2A timp de 2 secunde, apoi se va opri timp de 1 secundă. Acest ciclu se repetă timp de 10 minute. După procesul de recondiționare, încărcătorul va măsura din nou tensiunea bateriei.

- Dacă tensiunea este acum mai mare de 10,5 V, procesul de încărcare de 12 V va începe automat.
- Dacă tensiunea este în continuare sub 10,5 V, se consideră că bateria este defectă. Încărcarea va fi oprită, iar pe afișaj va apărea „Err” pentru a indica faptul că s-a produs o eroare.

4. ÎNTREȚINEREA



Deconectați întotdeauna cablul de alimentare de la priza de curent înainte de a lucra la încărcătorul de baterii.

Înlocuirea siguranței (Fig. B1, B2)

Urmați următorii pași pentru a înlocui siguranța încărcătorului:

- Deconectați cablul de alimentare de la priza de curent.
- Scoateți capacul siguranțelor (8) apăsând în partea laterală a capacului.
- Deșurubați siguranța cu ajutorul unei chei sau a unei prize.
- Înlocuiți siguranța

Curățare

- Curățați părțile metalice și din plastic ale aparatului cu o cârpă uscată
- Nu utilizați niciun fel de alte produse de curățare.

- Nu utilizați solvenți precum benzina, alcoolul, amoniacul etc.

MEDIU



Aparatele electrice sau electronice deteriorate și/sau defecte trebuie colectate în locurile de reciclare corespunzătoare.

Numai pentru țările din CE

Nu aruncați echipamentele acționate electric împreună cu gunoiul menajer. Conform Indicației europene 2012/19/CE pentru echipamente electrice și electronice uzate și a implementării sale la nivel național, echipamentele acționate electric scoase din uz trebuie colectate separat și evacuate într-o manieră ecologică.

GARANȚIE

Produsele VONROC sunt realizate la cele mai înalte standarde de calitate și sunt garantate în privința materialelor și a manoperei pentru întreaga perioadă de utilizare în garanție, începând cu data achiziției. În cazul în care produsul prezintă defecțiuni în perioada de garanție din cauza materialului defect și/sau a manoperei, contactați direct VONROC.

Următoarele circumstanțe sunt excluse de la această garanție:

- Reparațiile sau modificările care realizate sau care s-au încercat a fi efectuate de centre de service neautorizate;
- Uzura în condiții normale de utilizare;
- Unealta care a fost abuzată, utilizată într-un mod neglijent sau întreținută în mod inadecvat;
- Folosirea unor piese de schimb neoriginale.

Aceasta acoperă garanția companiei, explicită sau implicită. Nu există alte garanții explicite sau implicite care să se extindă dincolo de cele indicate aici, incluzând garanțiile, vandabilitatea sau adecvarea pentru un anumit scop. În nicio situație, VONROC nu este responsabil pentru daunele incidentale sau consecvențiale. Reparațiile efectuate de reprezentant trebuie să fie limitate la reparațiile sau la înlocuirea unităților sau a pieselor neconforme.

Produsul și manualul de utilizare pot suferi modificări. Specificațiile se pot modifica fără notificare prealabilă.

1. INSTRUÇÕES DE SEGURANÇA

Leia os avisos de segurança fornecidos, os avisos de segurança adicionais e as instruções. O não cumprimento dos avisos de segurança e das instruções pode resultar em choque eléctrico, incêndio e/ou ferimentos graves. Guarde os avisos de segurança e as instruções para referência futura.

Os seguintes símbolos são utilizados no manual do utilizador ou no produto:



Leia o manual do utilizador.



Indica o risco de ferimentos, morte ou danos na ferramenta se as instruções indicadas neste manual não forem seguidas.



Indica risco de choque eléctrico.



Indica risco de explosão.



Não elimine o produto em recipientes não adequados.



De acordo com as normas de segurança aplicáveis e as directivas europeias.

AVISOS GERAIS DE SEGURANÇA SOBRE A FERRAMENTA ELÉCTRICA



AVISO! Leia todos os avisos de segurança e instruções. *O não cumprimento dos avisos de segurança e as instruções podem resultar em choque eléctrico, incêndio e/ou ferimentos graves.*

Guarde todos os avisos e instruções para referência futura.

O termo “ferramenta eléctrica” indicado nos avisos diz respeito à ferramenta eléctrica com alimentação pela rede (com fio) ou por bateria (sem fio).

1) Segurança da área de trabalho

- Mantenha a área de trabalho limpa e devidamente iluminada.** As áreas obstruídas ou escuras são propícias a acidentes.
- Não utilize ferramentas eléctricas em atmosferas explosivas, por exemplo, na presença de líquidos inflamáveis, gases ou poeiras.** As ferramentas eléctricas produzem faíscas que

podem causar ignição de poeiras ou vapores.

- c) **Quando utilizar uma ferramenta eléctrica, mantenha as crianças e transeuntes afastados.** As distrações podem causar perda de controlo.

2) Segurança eléctrica

- a) **As fichas da ferramenta eléctrica devem corresponder à tomada. Nunca modifique, de forma alguma, a ficha. Não utilize quaisquer fichas adaptadoras com ferramentas eléctricas ligadas à terra (massa).** As fichas e tomadas correspondentes não modificadas reduzem o risco de choque eléctrico.

- b) **Evite o contacto do corpo com superfícies ligadas à terra ou massa, como tubos, radiadores, fogões ou frigoríficos.** Há um maior risco de choque eléctrico se o corpo estiver ligado à terra ou à massa.

- c) **Não exponha as ferramentas eléctricas à chuva ou a ambientes húmidos.** A entrada de água numa ferramenta eléctrica aumenta o risco de choque eléctrico.

- d) **Não utilize o cabo de maneira abusiva. Nunca utilize o cabo para transportar, puxar ou desligar a ferramenta eléctrica. Mantenha o cabo afastado de fontes de calor, óleo, extremidades afiadas ou peças móveis.** Cabos danificados ou enrolados aumenta o risco de choque eléctrico.

- e) **Quando utilizar uma ferramenta eléctrica no exterior, opte por uma extensão adequada para utilização no exterior.** A utilização de um cabo adequado para utilização no exterior reduz o risco de choque eléctrico.

- f) **Se não for possível evitar trabalhar com uma ferramenta eléctrica num local húmido, utilize uma fonte de alimentação protegida por um dispositivo de corrente residual (DCR).** A utilização de um DCR reduz o risco de choque eléctrico.

3) Segurança eléctrica

- a) **Esteja atento, preste atenção ao que está a fazer e tenha bom senso quando utilizar uma ferramenta eléctrica. Não utilize uma ferramenta eléctrica quando estiver cansado ou sob o efeito de drogas, álcool ou medicamentos.**

Um momento de distração durante a utilização de ferramentas eléctricas pode resultar em ferimentos graves.

- b) **Use equipamento de protecção individual. Use sempre protecção ocular.** O equipamento de

protecção, como, por exemplo, máscara de poeiras, sapatos de segurança antiderrapantes, capacete de segurança ou protecção auditiva, utilizado nas condições adequadas, reduz o risco de ferimentos.

- c) **Evite accionamentos acidentais. Assegure-se de que o gatilho está desligado antes de ligar a ferramenta à corrente eléctrica e/ou as baterias e antes de levantar ou transportar a ferramenta.** O transporte de ferramentas eléctricas com o dedo colocado no interruptor ou a ligação à corrente das ferramentas eléctricas com o interruptor ligado pode dar origem a acidentes.

- d) **Retire eventuais chaves de ajuste ou chaves de fendas antes de ligar a ferramenta eléctrica.** Uma chave de fenda ou de ajuste montada numa peça rotativa da ferramenta eléctrica pode causar ferimentos.

- e) **Não tente chegar a pontos fora do alcance. Mantenha-se sempre numa posição firme e bem equilibrada.** Desta forma, será mais fácil controlar a ferramenta eléctrica em situações inesperadas.

- f) **Use vestuário adequado. Não use roupa larga ou jóias. Mantenha o cabelo, a roupa e as jóias afastados das peças móveis.** As roupas largas, as jóias ou o cabelo comprido podem ficar presos nestas peças.

- g) **Se for prevista a montagem de dispositivos de extracção e recolha de poeiras, assegure-se de que estão ligados e que são utilizados de forma correcta.** A utilização de dispositivos de extracção de poeiras pode reduzir os riscos inerentes.

- h) **Não permita que a familiaridade obtida através do uso frequente de ferramentas faça com que seja complacente e ignore os princípios de segurança da ferramenta.** Uma acção irreflectida pode causar ferimentos graves numa fracção de segundos.

4) Utilização e cuidados a ter com a ferramenta eléctrica

- a) **Não sobrecarregue a ferramenta eléctrica. Utilize a ferramenta eléctrica correcta para o seu trabalho.** A ferramenta eléctrica adequada efectua o trabalho de maneira mais eficiente e segura se for utilizada de acordo com a capacidade para a qual foi concebida.
- b) **Não utilize a ferramenta eléctrica se não conseguir ligar ou desligar o gatilho.** Qualquer ferramenta eléctrica que não possa ser contro-

lada através do gatilho é perigosa e tem de ser reparada.

- c) **Retire a ficha da fonte de alimentação e/ou a bateria da ferramenta eléctrica antes de efectuar quaisquer ajustes, substituir acessórios ou guardar ferramentas eléctricas.** Estas medidas de segurança preventivas reduzem o risco de ligar a ferramenta eléctrica acidentalmente.
 - d) **Mantenha as ferramentas eléctricas que não estiverem a ser utilizadas fora do alcance das crianças. Não permita que a ferramenta eléctrica seja utilizada por pessoas não familiarizadas com a mesma ou que não tenham lido estas instruções.** As ferramentas eléctricas são perigosas nas mãos de pessoas que não possuam as qualificações necessárias para manuseá-las.
 - e) **Faça a manutenção das ferramentas eléctricas. Verifique se as peças móveis da ferramenta eléctrica estão alinhadas e não bloqueiam, bem como se existem peças partidas ou danificadas ou quaisquer outras condições que possam afectar o funcionamento da mesma. Se a ferramenta eléctrica estiver danificada, esta não deve ser utilizada até que seja reparada.** Muitos acidentes têm como principal causa ferramentas eléctricas com uma manutenção insuficiente.
 - f) **Mantenha as ferramentas de corte afiadas e limpas.** As ferramentas de corte sujeitas a uma manutenção adequada, com arestas de corte afiadas, bloqueiam com menos frequência e controlam-se com maior facilidade.
 - g) **Utilize a ferramenta eléctrica, os acessórios e as peças de ferramenta, etc., de acordo com estas instruções, considerando as condições de trabalho e a tarefa a ser executada.** A utilização da ferramenta eléctrica para fins diferentes dos previstos pode resultar em situações perigosas.
 - h) **Mantenha as pegas e as superfícies de fixação secas, limpas e sem óleo e gordura.** As pegas escorregadias e as superfícies de fixação não permitem o manuseamento seguro e o controlo da ferramenta em situações imprevistas.
- 5) Utilização e cuidados a ter com a ferramenta com baterias**
- a) **Recarregue apenas com o carregador especificado pelo fabricante.** Um carregador adequado para um tipo de bateria pode causar um incêndio se for utilizado com outra bateria.
 - b) **Utilize apenas ferramentas eléctricas que tenham baterias especificamente concebidas.** A utilização de outro tipo de baterias pode causar ferimentos e incêndio.
 - c) **Quando não utilizar a bateria, mantenha-a afastada de outros objectos metálicos, tais como cliques para papel, moedas, chaves, pregos, parafusos ou outros pequenos objectos metálicos que permitam fazer a ligação entre um terminal e outro.** O curto-circuito dos terminais da bateria pode causar queimaduras ou um incêndio.
 - d) **Em condições abusivas, pode derramar líquido da bateria, devendo evitar o contacto. Se tocar acidentalmente no líquido, lave bem com água. Se o líquido entrar em contacto com os olhos, consulte um médico.** O líquido derramado da bateria pode causar irritação ou queimaduras.
 - e) **Não utilize baterias ou ferramentas danificadas ou modificadas.** As baterias danificadas ou modificadas podem ter um comportamento inesperado, resultando em incêndio, explosão ou risco de ferimentos.
 - f) **Não exponha a bateria ou as ferramenta ao fogo ou a temperaturas excessivas.** A exposição a fogo ou a temperaturas superiores a 130 °C podem causar uma explosão. NOTA: a temperatura "130 °C" pode ser substituída pela temperatura "265 °F".
 - g) **Siga todas as instruções de carga e não carregue a bateria ou ferramenta fora do intervalo de temperaturas especificado nas instruções.** A carga inadequada ou de acordo com temperaturas fora do intervalo especificado pode danificar a bateria e aumentar o risco de incêndio.
- 6) Assistência**
- a) **A sua ferramenta eléctrica só deve ser reparada por pessoal qualificado e só devem ser utilizadas peças sobresselentes idênticas.** Desta forma, é garantida a segurança da ferramenta eléctrica.
 - b) **Nunca repare baterias danificadas.** A reparação de baterias deve ser efectuada apenas pelo fabricante ou fornecedores de assistência autorizados.

INSTRUÇÕES DE SEGURANÇA ADICIONAIS PARA CARREGADOR DE BATERIA

Os requisitos de utilização segura foram tidos em consideração no design do carregador de bateria. Qualquer alteração, adaptação, conversão ou outra

utilização pode interferir com a segurança do equipamento. Além disso, a garantia deixa de ser válida por este motivo.



Mantenha-o afastado do alcance das crianças!

- Evite situações que possam causar morte e ferimentos devido a utilização indevida!
- Não utilize o dispositivo se os cabos, os cabos de alimentação ou a ficha estiverem danificados. Um cabo de alimentação danificado indica uma situação de perigo de morte devido a choque eléctrico.
- O cabo de alimentação danificado só pode ser reparado por profissionais autorizados e com formação! Se for necessário proceder a uma reparação, contacte o centro de assistência do seu país.
- Perigo de choque eléctrico! No que respeita a baterias montadas permanentemente num veículo, verifique se este está desligado! Desligue o motor e coloque o veículo na posição de estacionamento com o travão de mão engatado (por exemplo, um automóvel) ou uma corda fixada (por exemplo, um barco a motor)!
- Perigo de choque eléctrico! Desligue o carregador para automóvel da corrente de alimentação antes de ligar ou retirar os conectores de/para a bateria.
- Primeiro, ligue a pinça que não está ligada à carroçaria do automóvel.
- Ligue a outra pinça na carroçaria do automóvel, afastado da bateria e o tubo de alimentação. Em seguida, ligue apenas o carregador para automóvel à fonte de alimentação.
- Desligue o carregador para automóvel da fonte de alimentação após o processo de carga.



Perigo de choque eléctrico! Só pode tocar nos cabos de ligação dos terminais ("-" e "+") na área isolada!

- Perigo de choque eléctrico! Estabeleça a ligação entre a bateria e a tomada de corrente totalmente protegida contra humidade.
- Perigo de choque eléctrico! Só deve proceder à montagem, manutenção e cuidados do carregador para automóvel depois de o desligar da corrente de alimentação!

- Perigo de choque eléctrico! Quando o processo da carga e de descarga estiver concluído, nas baterias instaladas permanentemente em veículos, desligue primeiro o cabo de ligação do terminal negativo do carregador (preto) do terminal negativo da bateria.
- Não permita a presença de bebés ou crianças sem supervisão junto do carregador para automóvel!
- As crianças não têm capacidade para avaliar o possível perigo de manuseamento de equipamentos eléctricos. Supervisione sempre as crianças para garantir que não brincam com a ferramenta.



Risco de explosão! Proteja-se contra reacções de hidrogénio-oxigénio altamente explosivas! A bateria pode emitir hidrogénio gasoso durante o processo de carga e carga de compensação. O oxihidrogénio é uma mistura explosiva de hidrogénio gasoso e oxigénio. O contacto com chamas abertas (chamas, brasas ou faíscas) dão origem à reacção de oxihidrogénio! Efectue o processo de carga e carga de compensação numa sala bem ventilada e protegida das intempéries. Certifique-se de que não há chamas abertas durante o processo de carga e carga de manutenção!

- Perigo de explosão e incêndio! Certifique-se de que, quando utilizar o carregador, não há o risco de ignição de materiais explosivos ou combustíveis, como gasolina ou solventes!
- Gases explosivos! Evite chamas e faíscas!
- Certifique-se de que a sala está bem ventilada durante o processo de carga.
- Coloque a bateria sobre uma superfície bem ventilada durante o processo de carga. O não cumprimento deste conselho pode danificar o dispositivo.



Risco de explosão! Certifique-se de que o cabo de ligação do terminal positivo não entra em contacto com os tubos de combustível.

- Risco de queimaduras químicas! Proteja os olhos e a pele contra corrosão de ácidos se entrarem em contacto com a bateria!

- Utilize óculos, roupa e luvas resistentes a ácidos! Se os olhos ou a pele entrarem em contacto com ácido sulfúrico, lave bem a parte do corpo afectada com uma quantidade abundante de água e consulte um médico de imediato!
- Evite fazer um curto-circuito eléctrico quando ligar o carregador para automóvel à bateria. Só deve ligar o cabo de ligação do terminal negativo ao terminal da bateria negativo ou à carroçaria do automóvel. Só deve ligar o cabo de ligação do terminal positivo ao terminal da bateria negativo ou à carroçaria do automóvel!
- Antes de ligar à corrente de alimentação, verifique se a fonte de alimentação tem a capacidade de 230 V~ 50 Hz necessária, um cabo neutro, um fusível de 16 A e um interruptor ELCB (disjuntor de fuga para terra)! O não cumprimento deste conselho pode danificar o dispositivo.
- Não coloque o carregador perto de fogo, fontes de calor e a temperaturas prolongadas superiores a 50 °C! A potência de saída do carregador para automóvel diminui automaticamente em temperaturas mais elevadas.
- Durante a montagem do carregador, certifique-se de que os tubos de combustível, cabos eléctricos, tubos hidráulicos e de água não são danificados! Caso contrário, há o risco de morte ou ferimentos!
- Utilize o carregador para automóvel apenas com as peças originais incluídas!
- Não tape o carregador para automóvel com objectos! O não cumprimento deste conselho pode danificar o dispositivo.
- Proteja as superfícies dos contactos eléctricos da bateria de curto-circuitos!
- Utilize apenas o carregador para automóvel para o processo de carga e carga de manutenção de baterias de chumbo-ácido de 6 V/12 V (com solução electrolítica ou de gel)!
- Caso contrário, podem ocorrer danos materiais.
- Não utilize o carregador para automóvel para o processo de carga ou carga de compensação de baterias não recarregáveis.
- Caso contrário, podem ocorrer danos materiais.
- Não utilize o carregador para automóvel para o processo de carga ou carga de compensação de baterias danificadas ou congeladas!
- Caso contrário, podem ocorrer danos materiais.
- Antes de ligar o carregador, consulte as instruções de funcionamento originais da bateria para obter informações sobre manutenção da bateria! Caso contrário, há o risco de ferimentos e/ou danos no dispositivo.
- Antes de ligar o carregador a uma bateria ligada permanentemente a um veículo, consulte as instruções de funcionamento do veículo para obter informações sobre segurança eléctrica e manutenção! Caso contrário, há o risco de ferimentos e/ou danos materiais.
- Desligue também o carregador para automóvel da fonte de alimentação quando não o utilizar por razões ambientais! Tenha em atenção que o funcionamento no modo de ralenti também consome electricidade.
- Esteja sempre atento e tenha sempre cuidado com o que faz. Proceda sempre com cuidado e não utilize o carregador para automóvel se sentir tonturas ou indisposição.

2. INFORMAÇÕES SOBRE A MÁQUINA

Utilização pretendida

Este dispositivo foi concebido para carregar vários tipos de baterias SLA (baterias seladas de chumbo-ácido) utilizadas essencialmente em automóveis, motocicletas e outros tipos de veículos. Os tipos de baterias compatíveis incluem: comuns, ciclo profundo, gel ou de chumbo-ácido AGM (tapete absorvente de vidro). A concepção especial do dispositivo permite carregar a bateria a praticamente 100 % da capacidade.

ESPECIFICAÇÕES TÉCNICAS

Modelo n.º	BC501AC
Tensão do sector	230 V ~
Frequência da rede	50 Hz
Alimentação	350 W
Corrente invertida (sem entrada CA)	<5 mA
Tensão de saída nominal	6 V/12 V
Corrente de carga	2 A/6 A/15 A +/-10 %
Tipos de bateria compatíveis	Comum/ciclo profundo/gel/AGM
Capacidade da bateria suportada	8 - 210 Ah
Protecção contra entrada de corpos estranhos	IP20

Corrente de arranque por cabos	Máx. 75 A
Intervalo de utilização de arranque por cabos	3 segundos ligado/180 segundos desligado

DESCRIÇÃO

Os números indicados no texto dizem respeito aos diagramas na página 2.

1. Botão VISOR
2. Botão TIPO DE BATERIA
3. Botão MODO
4. Pinça de terminal negativo (-)
5. Pinça de terminal positivo (+)
6. Visor digital
7. Cabo de alimentação
8. Fusível com tampa

3. FUNCIONAMENTO



Retire a ficha de alimentação da tomada de alimentação antes de efectuar qualquer tarefa no carregador de bateria. *Risco de choque eléctrico! Perigo de danos materiais! Risco de ferimentos!*

Ligação

- Antes de proceder à carga e carga de compensação de uma bateria ligada permanentemente a um veículo, desligue primeiro o terminal de ligação da bateria do veículo.
- Em seguida, desligue o terminal positivo da bateria do veículo.
- Em seguida, só deve ligar a pinça positiva (vermelha) do carregador de bateria (5) ao terminal positivo (+) da bateria.
- Por último, ligue a pinça negativa (vermelha) do carregador de bateria (4) ao terminal negativo (-) da bateria.

Nota: Se as pinças do conector estiverem ligadas correctamente, o visor (6) mostra a tensão e a luz indicadora “Ligado” acende-se.

Se os pólos forem invertidos por acidente, o visor (6) mostra “0,0” e a luz indicadora “Erro +/-” acende-se para indicar um erro de polaridade.

Desligar

- Primeiro desligue o carregador de bateria da fonte de alimentação.
- Retire a pinça negativa (preta) (4) do terminal da bateria.
- Retire a pinça positiva (vermelha) (5) do terminal da bateria.
- Volte a ligar o terminal positivo da bateria à ligação positiva do veículo.
- Volte a ligar o terminal negativo da bateria à ligação negativa do veículo.

Seleccionar o modo de carga

Pode carregar vários tipos de baterias a temperaturas ambiente diferentes utilizando os vários métodos de carga. O processo de carga segura serve de protecção contra falhas de ligação e curto-circuitos. O circuito electrónico integrado não liga o carregador de bateria de imediato depois da ligação ser estabelecida, apenas depois de seleccionar um modo de carga.

- No caso das luzes indicadoras “Erro +/-” se acenderem, verifique se as pinças dos terminais (4 e 5) estão ligadas correctamente à bateria e se foi seleccionado o tipo de bateria correcto no carregador.

Botão VISOR (1)

Carregue neste botão para alternar entre os vários modos de visualização. O modo de visualização seleccionado é indicado pelos indicadores luminosos juntos ao botão. Estão disponíveis os seguintes modos:

- % da bateria: o visor mostra o estado actual da carga da bateria ligada, que varia entre 0 % (sem carga) e 100 % (carga total)
- Tensão: o visor indica a tensão da bateria ligada
- % do alternador: o visor mostra a potência de saída do carregador, que varia entre 0 % (desligado) e 100 % (potência total)

Botão TIPO DE BATERIA (2)

Carregue neste botão para alternar entre os vários tipos de baterias.



Escolha com atenção o tipo de bateria correcto antes de iniciar o processo de carga. *O tipo de bateria seleccionado actualmente é indicado pelos indicadores luminosos juntos ao botão TIPO DE BATERIA (2).*

São suportados os seguintes tipos de bateria:

- Normal de 12 V
- Ciclo profundo de 12 V
- Gel/AGM de 12 V
- Normal de 6 V

Nota: Depois de ligar o carregador, este determina automaticamente a tensão da bateria. Se o carregador detectar incorrectamente uma bateria de 12 V como uma bateria de 6 V, isso significa que a bateria está defeituosa e/ou sobredescarregada. As baterias defeituosas devem ser substituídas, não carregue uma bateria defeituosa.

Botão MODO (3)

Carregue neste botão para alternar entre os vários modos de funcionamento. Podem ser seleccionados os seguintes modos:

- Carga rápida: Carrega a bateria rapidamente. Regulação recomendada para temperaturas ambientes reduzidas.
- Carga normal: Processo de carga normal.
- Arranque: Fornece durante uns instantes uma corrente elevada para efectuar o arranque por cabos de um veículo com uma bateria fraca ou gasta.

Utilizar o modo de arranque por cabos

Nota: O modo de arranque por cabos só pode ser desactivado depois de desligar o cabo de alimentação (7).



ATENÇÃO! Efectue sempre as ligações pela ordem correcta descrita neste manual do utilizador. Caso contrário, o circuito electrónico do veículo pode ficar danificado. O não cumprimento das especificações é efectuado à sua própria conta e responsabilidade. O modo de arranque por cabos não é adequado para baterias com capacidade inferior a 45 Ah. A utilização deste modo numa bateria <45 Ah pode causar danos na bateria. Tenha em atenção que alguns motores a gasóleo e de gasolina de grande cilindrada exigem uma corrente inicial que excede a capacidade máxima suportada por este equipamento (75 A). Se a carga da bateria estiver totalmente gasta, a corrente máxima de 75 A pode não ser suficiente para ligar estes motores.

O carregador está equipado com um programa de análise para proteger a bateria contra danos (por exemplo, sulfatação ou quedas de tensão rápidas), em especial durante o arranque por cabos. Para proteger a bateria, o dispositivo não acciona o sistema de arranque por cabos se as baterias estiverem demasiado descarregadas ou sujeitas a esforço excessivo. Durante este processo, a bateria vai ser carregada com uma corrente reduzida e a luz indicadora "Carga" acende-se. O visor continua a mostrar "0". Neste caso, a função de arranque por cabos não pode ser utilizada para proteger a bateria de danos. Deve primeiro carregar a bateria com o modo Carga rápida ou Carga normal durante algum tempo antes de tentar utilizar de novo a função de arranque por cabos.

- Ligue o cabo de alimentação (7) na tomada de rede.
- Ligue a pinça (vermelha) positiva (5) no terminal da bateria positivo (+).
- Ligue a pinça negativa (preta) (4) no terminal da bateria negativo (-).
- Se as pinças do terminal estiverem ligadas correctamente, o carregador selecciona automaticamente o tipo de bateria correcto.
- Verifique a luz indicadora do tipo de bateria e regule-a se necessário com o botão TIPO DE BATERIA (2).
- Em seguida, seleccione o modo Iniciar com o botão MODO (3). O carregador analisa o nível de carga da bateria e o visor (6) mostra o valor "0".
- Inicie a ignição do veículo. O visor mostra uma contagem decrescente de 5 segundos: Preparação/análise de 2 segundos, seguido de uma arranque por cabos de 3 segundos.
- Durante a contagem decrescente, o carregador fornece rapidamente 75 A para ligar o motor. A contagem decrescente é seguida de uma pausa de 180 segundos para proteger a bateria.
- Após a pausa de 180 segundos, o ciclo é reiniciado (2 segundos de preparação, 3 segundos de arranque, pausa de 180 segundos) e pode tentar começar a utilizar o motor novamente.
- Para desligar o carregador: retire primeiro a pinça negativa (preta) (4) do terminal da bateria e, em seguida, retire a pinça positiva (vermelha) (5) do terminal da bateria.

Modo de recondicionamento da bateria

As baterias de 12 V muito gastas são recondicionadas pelo carregador antes do processo de carga ser iniciado. Se a tensão da bateria situar-se entre 8,5 e 10,5 V, o carregador entra automaticamente no modo de recondicionamento. Durante o processo de recondicionamento, a luz indicadora de “Carga” começa a piscar e o carregador de bateria carrega a bateria com uma corrente de carga de 2 A durante 2 segundos e depois pára durante 1 segundo. Este ciclo é repetido durante 10 minutos. Após o processo de recondicionamento, o carregador mede novamente a tensão da bateria.

- Se a tensão for superior a 10,5 V, o processo de carga de 12 V é iniciado automaticamente.
- Se a tensão for inferior a 10,5 V, a bateria está defeituosa. O processo de carga é interrompido e o visor mostra “Err” para indicar que ocorreu um erro.

4. MANUTENÇÃO



Desligue sempre o cabo de alimentação da tomada de rede antes de utilizar o carregador de bateria.

Substituir o fusível (Fig. B1, B2)

Tome as seguintes medidas, substitua o fusível do carregador:

- Desligue o cabo de alimentação da tomada de rede.
- Retire a tampa do fusível (8), carregando na parte lateral da tampa.
- Desaperte o fusível utilizando uma chave adequada.
- Substitua o fusível

Limpeza

- Limpe as peças metálicas ou de plástico da máquina com um pano seco
- Não utilize produtos de limpeza abrasivos.
- Não utilize solventes, como gasolina, álcool, amoníaco, etc.

AMBIENTE



Os equipamentos eléctricos ou electrónicos defeituosos e/ou eliminados devem ser recolhidos em locais de reciclagem adequados.

Apenas para os países da CE

Não elimine as ferramentas eléctricas em conjunto com os resíduos domésticos. De acordo com a directiva europeia 2012/19/CE sobre resíduos de equipamentos eléctricos e electrónicos e a respectiva implementação na legislação nacional, as ferramentas eléctricas que já não sejam utilizadas devem ser recolhidas em separado e eliminadas de maneira ecológica.

GARANTIA

Os produtos da VONROC são desenvolvidos de acordo com os padrões de qualidade mais elevados e não apresentam quaisquer defeitos em termos de materiais e mão-de-obra em relação ao período estipulado por lei, cujo início é a partir da data de compra original. Se o produto apresentar qualquer falha durante este período devido a qualquer defeito no material e/ou de mão-de-obra, contacte a VONROC directamente.

As seguintes circunstâncias estão excluídas desta garantia:

- Se forem efectuadas ou tentadas quaisquer reparações e/ou alterações na máquina por centros de assistência não autorizados;
- Desgaste normal;
- Se a ferramenta foi utilizada de maneira abusiva, indevida ou a manutenção for efectuada de maneira incorrecta;
- Se forem utilizadas peças sobresselentes não originais.

Isto constitui a única garantia feita pela empresa, de maneira expressa ou implícita. Não existem quaisquer outras garantias expressas ou implícitas que se prolonguem, incluindo as garantias implícitas de comercialização e adequação para fins específicos. A VONROC não será, em nenhuma circunstância, responsável por danos incidentais ou indirectos. Os fornecedores devem estar limitados a reparar ou substituir as unidades ou peças que não estejam em conformidade.

O equipamento e o manual do utilizador estão sujeitos a alterações sem aviso prévio. As especificações podem ser alteradas sem aviso prévio.

1. BIZTONSÁGI UTASÍTÁSOK

Olvassa el az összes mellékelt biztonsági figyelmeztetést. A figyelmeztetések és utasítások be nem tartása áramütéshez, tűz keletkezéséhez vagy akár súlyos személyi sérüléshez vezethet. Őrizze meg a biztonsági figyelmeztetéseket és utasításokat későbbre is.

A használati útmutatóban és a terméken a következő jelölésekkel találkozhat:



Olvassa el a használati útmutatót.



Jelzi a személyi sérülések, az életveszély vagy a szerszám károsodásának veszélyét a használati útmutató utasításainak be nem tartása esetén.



Áramütés veszélyét jelzi.



Robbanásveszélyt jelez.



A terméket hulladékként ne tegye arra nem alkalmas konténerbe.



Megfelel az alkalmazandó biztonsági előírásoknak és európai irányelveknek.

A SZERSZÁMGÉPRE VONATKOZÓ ÁLTALÁNOS BIZTONSÁGI FIGYELMEZTETÉSEK



FIGYELMEZTETÉS! Olvasson el minden biztonsági figyelmeztetést és utasítást.

A biztonsági figyelmeztetések és útmutatások be nem tartása áramütést, tüzet és/ vagy súlyos sérülést okozhat.

Az összes figyelmeztetést és utasítást őrizze meg, mert később még szüksége lehet rájuk.

A figyelmeztetésekben szereplő „elektromos szerszám” kifejezés az Ön hálózatról működő (vezetékes) elektromos szerszámára vagy akkumulátorral működő (vezeték nélküli) elektromos szerszámára utal.

1) A munkaterület biztonsága

- a) **Gondoskodjon a munkaterület tisztaságáról és megfelelő megvilágításáról.** A rendezetlen és sötét területeken valószínűbb a balesetek előfordulása.

- b) **Ne használjon elektromos szerszámot robbanásveszélyes környezetben (pl. gyúlékony folyadékok, gázok és por jelenlétében).** Az elektromos szerszámok használata során keletkező szikra lángra lobbanthatja a port és füstöt.
- c) **Az elektromos szerszám használata során a gyermekeket és a közelben tartózkodó személyeket tartsa távol a munkaterülettől.** Ha valami eltereli a figyelmét, elveszítheti az irányítást.

2) Elektromos biztonság

- a) **Az elektromos szerszám dugóinak megfelelőnek kell lenniük az aljzathoz. Soha ne próbálja semmilyen módon módosítani a dugót. Földelt elektromos szerszámokhoz ne használjon semmilyen adapterdugót.** Az eredeti (értsd: módosítás nélküli) dugók és megfelelő hálózati aljzatok használatával mérsékelhető az elektromos áramütés veszélye.
- b) **Testével ne érjen földelt vagy testelt felületekhez, például csövekhez, radiátorokhoz, tűzhelyekhez vagy hűtőszekrényekhez.** Ha teste földelődik vagy testelődik, megnő az áramütés kockázata.
- c) **Óvja az elektromos szerszámokat az esőtől és nedves környezettől.** Az elektromos szerszámba kerülő víz növeli az elektromos áramütés veszélyét.
- d) **Ne használja helytelenül (nem rendeltetésszerűen) a kábelt. A kábelt soha ne használja az elektromos szerszám hordozására, húzására vagy az aljzattól történő kihúzására. A kábelt tartsa távol hőforrásoktól, olajtól, hegyes élektől és mozgó alkatrészeketől.** A sérült vagy megtekeredett kábelek növelik az elektromos áramütés veszélyét.
- e) **Az elektromos szerszám kültéri használata esetén kültéri használatra alkalmas hosszabító kábelt használjon.** A kültéri használatra alkalmas kábel használatával mérsékelhető az elektromos áramütés veszélye.
- f) **Ha az elektromos szerszámot mindenképpen nedves környezetben kell használni, akkor használjon áramvédő kapcsolóval (RCD) ellátott tápforrást.** Az áramvédő kapcsolóval ellátott tápforrás használatával mérsékelhető az elektromos áramütés veszélye.

3) Személyi biztonság

- a) **Az elektromos szerszám használata során maradjon éber, koncentrálnon az éppen végzett mű-**

- veletré és használja a józan ítélőképességét. Ha fáradt, vagy ha kábítószert, alkohol vagy gyógyszer hatása alatt áll, ne használjon elektromos szerszámot.** Az elektromos termékek használata közben egyetlen pillanatnyi figyelmetlenség is súlyos személyi sérülést okozhat.
- b) **Használjon egyéni védőeszközöket. Mindig viseljen szemvédő felszerelést.** A megfelelő körülményekhez való védőeszközökkel (például pormaszkkal, csúszásgátló biztonsági cipővel, munkavédelmi sisakkal vagy hallásvédő eszközzel) csökkenthető a személyi sérülések kockázata.
- c) **Gondoskodjon a gép véletlen elindulásának a megelőzéséről. A szerszám tápforráshoz és/vagy akkumulátorcsomaghoz történő csatlakoztatása, kézbevétele vagy hordozása előtt győződjön meg róla, hogy a kapcsoló OFF (kikapcs.) állásban van.** Ha úgy hordozza az elektromos szerszámot, hogy az ujjai a kapcsolón van, vagy úgy helyezi feszültség alá az elektromos szerszámot, hogy a kapcsolója ON (bekapcs.) helyzetben van, az növeli a balesetek kockázatát.
- d) **Az elektromos szerszám bekapcsolása előtt távolítsa el a csavarkulcsokat vagy beállító kulcsokat.** A szerszámgép forgó alkatrészein felejtett csavarkulcs vagy beállító kulcs személyi sérülést okozhat.
- e) **Ne próbáljon túlnyújtva vagy kitekeredett testhelyzetben dolgozni. Mindig két lábbal, egyensúlyát megtartva álljon a talajon.** Így könnyebben tudja irányítani az elektromos szerszámot a váratlan helyzetekben.
- f) **Megfelelő öltözéket viseljen. Ne viseljen laza ruhát vagy ékszert. Haját, ruháját és kesztyűjét tartsa távol a mozgó alkatrészekről.** A mozgó alkatrészek behúzhatják a ruhákat, az ékszereket és a hosszú haját.
- g) **Ha rendelkezésre állnak a porelszívó és -gyűjtő rendszerek csatlakoztatására szolgáló eszközök, csatlakoztassa ezeket az eszközöket és használja őket megfelelően.** A porgyűjtő rendszerek használatával csökkenthetők a porral kapcsolatos veszélyek.
- h) **Ne engedje, hogy a szerszámok gyakori használata során szerzett tapasztalatai túlzott biztonságérzetet keltsenek Önben, és amiatt elhanyagolja a biztonsági alapelveket.** Gondatlan cselekvés már a másodperc töredéke alatt is súlyos sérülést okozhat.
- 4) **Az elektromos szerszám használata és ápolása**
- a) **Az elektromos szerszámot tilos túlzott erő-kifejtéssel használni. Az alkalmazási célnak megfelelő elektromos szerszámot használjon.** A megfelelő elektromos szerszám biztonságosabban és hatékonyabban végzi a munkát azon a fordulatszámon, amire azt tervezték.
- b) **Ne használja az elektromos szerszámot, ha az nem kapcsolható be/ki a főkapcsolóval.** Bár-mely elektromos szerszám veszélyes lehet, amit a kapcsolóval nem lehet irányítani, ezért az ilyen elektromos szerszámot meg kell javíttatni.
- c) **Válassza le a dugót a tápforrásról és/vagy az akkumulátorcsomagot az elektromos szerszámról, mielőtt bármilyen módosítást végez, tartozékot cserél vagy eltávolítja az elektromos szerszámot.** Ezekkel a megelőző biztonsági intézkedésekkel csökkenthető az elektromos szerszám véletlen elindulásának a kockázata.
- d) **Az éppen nem használt elektromos szerszámokat olyan helyen tárolja, ahol a gyermekek nem férhetnek hozzájuk, és ne engedje, hogy olyan személyek használják az elektromos szerszámot, akik nem ismerik az elektromos szerszámot és ezeket az utasításokat.** Az elektromos szerszám rendkívül veszélyes lehet szakképzetlen felhasználók kezeiben.
- e) **Tartsa karban az elektromos szerszámot. Ellenőrizze, hogy a mozgó alkatrészek nem állítód-tak-e el vagy nem szorulnak-e, nincsenek-e az elektromos szerszámon törött alkatrészek, és nem állnak-e fenn olyan körülmények, amelyek befolyásolhatják az elektromos szerszám működését. Ha az elektromos szerszám sérült, használat előtt javíttassa meg.** A nem megfelelően karbantartott elektromos szerszámok számos balesetet okoznak.
- f) **Tartsa élesen és tisztán a vágószerszámokat.** A megfelelően karbantartott, éles vágószerszámok beszorulásának kisebb a valószínűsége, ráadásul könnyebben irányíthatók.
- g) **Az elektromos szerszámot, a tartozékokat és a szerszámszárakat stb. a jelen utasításoknak megfelelően használja, a munkakörülmények és az elvégzendő feladat figyelembevételével.** Ha az elektromos szerszámot a rendeltetési céljától eltérően használják, ez veszélyhelyzetet teremthet.
- h) **Tartsa a fogantyúkat és egyéb markolási felületeket szárazon, tisztán, olajtól és zsírtól mentesen.** Váratlan helyzetekben a csúszós

fogantyúk és egyéb markolási felületek akadályozzák a szerszám biztonságos kezelését és irányítását.

5) Az akkumulátoros szerszám használata és ápolása

- a) **Újratöltéshez csak a gyártó által megjelölt töltőt használja.** Az egyik akkumulátorhoz megfelelő töltő másikkal nem használható, tűzveszélyes lehet.
- b) **Csak a kifejezetten hozzájuk készült akkumulátorral használja az elektromos szerszámokat.** Bármilyen másfajta akkumulátor használata tűz- és balesetveszélyt idézhet elő.
- c) **Amikor nem használja az akkucsomagot, tartsa azt távol minden fémestől, például tűzokpacstól, érmétől, kulcstól, szögötől, csavartól és minden más apró fémtárgytól, amely a sarukat rövidre zárhatná.** Az akkumulátor kapcsok rövidzárása égési sérülést vagy tüzet okozhat.
- d) **Kedvezőtlen körülmények között az akkumulátorból folyadék szivároghat; kerülje a vele való érintkezést. Ha véletlenül mégis a bőrre kerül, vízzel öblítse le. Ha a folyadék a szemébe került, forduljon orvoshoz.** Az akkumulátorból származó folyadék bőrizgató hatású, égési sérülést is okozhat.
- e) **Sérült vagy átalakított akkucsomagot és szerszámot ne használjon.** A sérült vagy átalakított akkumulátorok kiszámíthatatlanul viselkedhetnek, tüzet, robbanást vagy sérülést okozhatnak.
- f) **Tűztől és szélsőséges hőmérséklettől óvja az akkucsomagot és a szerszámot.** Ha tűznek vagy 130 °C-on felüli hőmérsékletnek teszi ki, robbanást okozhat. MEGJEGYZÉS: a „130 °C” „265 °F”-nak (Fahrenheit foknak) felel meg.
- g) **Tartsa be a töltésre vonatkozó összes útmutatást, és ne töltsen se az akkucsomagot se a szerszámot a kezelési útmutatóban megadott tartományon kívül eső hőmérséklet mellett.** Nem megfelelő vagy a megadott tartományon kívüli hőmérséklet mellett történő töltés károsíthatja az akkumulátort, és tűzveszéllyel jár.

6) Szerviz

- a) **Az elektromos szerszámot képzett szakemberrel javíttassa, csakis az eredetivel azonos pótalkatrészeket használjon fel.** Ez biztosítja, hogy az elektromos szerszám továbbra is biztonságos maradjon.
- b) **Sérült akkucsomagot soha ne szervizeljen.**

Akkucsomagok szervizelését csak a gyártó vagy annak megbízott szolgáltatója végezheti.

TOVÁBBI BIZTONSÁGI UTASÍTÁSOK AZ AKKUMULÁTORTÖLTŐRE VONATKOZÓAN

Az akkumulátortöltő kialakításánál figyelembe vettük a biztonságos használat követelményeit. Bármilyen változtatás, átalakítás, módosítás vagy eltérő felhasználás befolyásolhatja a készülék biztonságát. Mindemellett a garancia is érvényét veszti.



Gyermekektől tartsa távol!

- Kerülje a helytelen használatból eredő élet- és sérülésveszélyt!
- Ne használja a készüléket, ha a kábelei, a hálózati kábel vagy a dugasz sérült. A sérült hálózati kábel életveszélyes áramütést okozhat.
- A sérült hálózati kábelt csak arra jogosult és képzett szakemberrel javíttassa! Amikor javítás szükséges, forduljon az országában működő szervizközpontokhoz.
- Áramütés veszélye! Járműbe fixen beépített akkumulátorok esetén ellenőrizze, hogy a jármű áramellátása ki van-e kapcsolva! Kapcsolja le a gyújtást, és rögzítse parkolóállásban a járművet a kézifékkal (pl. autó esetén), vagy kötéllel (pl. elektromos csónak esetén)!
- Áramütés veszélye! Válassza le a töltőt az elektromos hálózatról, mielőtt a csatlakozókat az akkumulátorra kapcsolja vagy onnan lekapcsolja.
- Először az autó karosszériájához nem csatlakoztatott sarut csatlakoztassa.
- Csatlakoztassa a másik sarut az autó karosszériájához, az akkumulátortól és a benzinvezeték-től távol. Csak ezután csatlakoztassa az autós töltőt az áramforrásra.
- Töltés után csatlakoztassa le az autós töltőt az áramforrásról.



Áramütés veszélye! Az akkupólusok csatlakozókábeleit („-” és „+”) csak a szigetelt felületükön érintse!

- Áramütés veszélye! Ügyeljen arra, hogy az akkumulátor és a hálózati konnektor közötti összeköttetés nedvességtől teljesen védve legyen.
- Áramütés veszélye! Az autós töltőt csak akkor szerelje össze, tartsa karban és gondozza, amikor le van választva az elektromos hálózatról!

- **Áramütés veszélye!** A töltési és lemerítési folyamat befejezése után olyan járműveknél, amelyekbe az akkumulátor fixen be van építve, először a töltő negatív (fekete) csatlakozókábelét válassza le az akku negatív pólusáról.
- Ne hagyjon gyermekeket felügyelet nélkül az autós töltő közelében!
- A gyerekek még nem képesek felmérni az elektromos készülékek kezelésével járó veszélyeket. Mindig ügyeljen a gyerekekre, hogy ne játsszanak a készülékkel.



Robbanásveszély! Védekezzen a hidrogén és oxigén rendkívül robbanásveszélyes reakciójától! Előfordulhat, hogy töltés és cseptöltés közben az akkumulátor hidrogéngázt bocsát ki. A durranógáz a hidrogén és oxigén robbanó elegye. Ha nyílt tűz (láng, parázs vagy szikra) éri, az úgynevezett durranógáz reakcióba lép! A töltés és cseptöltést időjárástól védett, jól szellőző helyiségben végezze. Győződjön meg arról, hogy töltés és karbantartó töltés közben nincs nyílt tűz a közelben!

- **Robbanás- és tűzveszély!** Gondoskodjon arról, hogy a töltő használata közben ne legyenek a közelben robbanásveszélyes vagy gyúlékony anyagok (pl. benzin, oldószerek)!
- **Robbanásveszélyes gázok!** Kerülje a lángokat és szikrákat!
- Töltés közben gondoskodjon megfelelő szellőzéstől.
- Töltés közben jól szellőző felületre helyezze az akkumulátort. Ezek be nem tartása a készülék károsodását okozhatja.



Robbanásveszély! Gondoskodjon arról, hogy a pozitív pólus csatlakozókábele ne érjen üzemanyag vezetékhez.

- **Kémiai égés veszélye!** Az akkumulátor érintése közben védje szemét és bőrét a savak maró hatásától!
- Viseljen saválló szemüveget, ruházatot és kesztyűt! Ha a szeme vagy a bőre kénsavval került érintkezésbe, öblítse le az érintett testfelületet bő vízzel, és azonnal kérjen orvosi segítséget!
- Kerülje a rövidzárlatot, amikor az autós töltőt az akkumulátorra csatlakoztatja. A negatív pólus csatlakozókábelét csak az akku negatív pólusá-

ra vagy az autó karosszériájához csatlakoztassa. A pozitív pólus csatlakozókábelét csak az akku pozitív pólusára csatlakoztassa!

- Mielőtt az elektromos hálózatra csatlakoztatja a készüléket, ellenőrizze, hogy a hálózatban megvan-e a szükséges 230 V~ 50 Hz, null vezeték, 16 A-es biztosíték és egy ELCB (árammegszakító)! Ennek a tanácsnak a figyelmen kívül hagyása a készülék károsodását okozhatja.
- Ne tegye a töltőt tűzhöz, hőforráshoz közel, vagy olyan helyre, ahol a hőmérséklet tartósan meghaladja az 50 °C-ot! Magas hőmérséklet mellett automatikusan csökken az autós töltő leadott teljesítménye.
- Ügyeljen arra, hogy a töltő összeszerelése közben a csavarok ne sértsék fel az üzemanyag vezetékeket, elektromos kábeleket, hidraulika- és vízcsöveket! Ellenkező esetben életveszély vagy sérülés veszélye áll fenn!
- Az autós töltőt csak a mellékelt, eredeti alkatrészeivel használja!
- Semmivel ne takarja le az autós töltőt! Ennek a tanácsnak a figyelmen kívül hagyása a készülék károsodását okozhatja.
- Az akkumulátor elektromos érintkezőinek felületét védje a rövidzárlattal szemben!
- Az autós töltőt csak sérülésmentes 6 V-os vagy 12 V-os (elektrolitos vagy zselés) ólomsavas akkumulátorok töltésére használja. Ellenkező esetben anyagi kár érheti.
- Az autós töltővel ne próbálkozzon nem tölthető telepek töltésével vagy cseptöltésével. Ellenkező esetben anyagi kár érheti.
- Sérült vagy lefagyott akkumulátor töltéséhez vagy cseptöltéséhez ne használja az autós töltőt! Ellenkező esetben anyagi kár érheti.
- A töltő csatlakoztatása előtt olvassa el az akkumulátor eredeti használati utasítását az akkumulátor karbantartásával kapcsolatos információkért. Ellenkező esetben sérülést szenvedhet, és/vagy károsodhat a készülék.
- Mielőtt a töltőt a járműhöz fixen csatlakoztatott akkumulátorhoz csatlakoztatja, olvassa el a jármű kezelési útmutatóját az elektromos biztonság fenntartására és a karbantartásra vonatkozó információkért. Ellenkező esetben sérülés és/vagy anyagi kár veszélye áll fenn.
- Környezetvédelmi okokból csatlakoztassa le a töltőt az elektromos hálózatról, amikor nem használja. Ne feledje, hogy készenléti üzemmódban is fogyaszt áramot.

- Mindent nagy éberséggel és körültekintéssel végezzen. Mindig óvatosan járjon el, és ne működtesse az autós töltőt, amikor nem érzi jól magát.

2. A GÉP ISMERTETÉSE

Rendeltetésszerű használat

A készüléket többféle, főleg autókban, motorke-
rékpárokon és néhány más járművön használt
SLA (zárt ólomsavas) akkumulátorok töltéséhez
terveztek. Támogatott akkumulátortípusok: hagyó-
mányos, mélyciklusú, zselés vagy AGM ólomsavas
akkumulátorok. A készülék speciális kivitele lehe-
tővé teszi, hogy az akkumulátor a kapacitásának
közel 100%-áig feltölthető legyen.

MŰSZAKI ADATOK

Modellazonosító	BC501AC
Hálózati feszültség	230 V ~
Hálózati frekvencia	50 Hz
Felvett teljesítmény	350 W
Ellenáram (AC bemenet nélkül)	< 5 mA
Névleges leadott feszültség	6 V / 12 V
Töltőáram	2 A / 6 A / 15 A +/-10%
Támogatott akkumulátor- típusok	hagyományos / mélyciklusú / zselés / AGM
Támogatott akkumulátor- kapacitás	8-210 Ah
Külső behatásokkal szembeni védettség	IP-20
„Bikázó” áram	75 A max.
„Bikázó” áram használati időköz	3 mp bekapcsoláskor / 180 mp kikapcsoláskor

LEÍRÁS

A szövegbeli számok a 2. oldal képeire utalnak.

1. KIJELZŐ gomb
2. AKKUTÍPUS gomb
3. ÜZEMMÓD gomb
4. Negatív (-) pólus bilincs (akkusaru)
5. Pozitív (+) pólus bilincs (akkusaru)
6. Digitális kijelző
7. Tápkábel
8. Biztosíték fedéllel

3. KEZELÉS



Mielőtt bármilyen munkát végez az akkumulátortöltőn, húzza ki a dugaszát a konnektorból. Áramütés veszélye! Anyagi kár veszélye! Sérülésveszély!

Csatlakoztatás

- A járműhöz fixen csatlakoztatott akkumulátor töltése és cseppöntése előtt először válassza le az akkumulátor negatív pólusát a járműről.
- Ezután válassza le az akkumulátor pozitív pólusát a járműről.
- Csak ezután csatlakoztassa az akkumulátortöltő pozitív (piros) saruját (5) az akkumulátor pozitív (+) pólusához.
- Végül csatlakoztassa az akkumulátortöltő negatív (fekete) saruját (4) az akkumulátor negatív (-) pólusához.

Megjegyzés: Ha a csatlakozó bilincsek (saruk) megfelelően csatlakoztatva vannak, a kijelző (6) jelzi a feszültséget, és a „Connected” (csatlakoztatva) jelzőfény világitani kezd. Ha a pólusokat véletlenül felcseréli, a kijelzőn (6) a „0.0” felirat jelenik meg, és a „+/- error” jelzőfény világitani kezd, jelezve a polaritási hibát.

Lecsatlakoztatás

- Először válassza le az akkumulátortöltőt a hálózati tápellátásról.
- Válassza le a negatív (fekete) sarut (4) az akkumulátor pólusáról.
- Válassza le a pozitív (piros) sarut (5) az akkumulátor pólusáról.
- Csatlakoztassa újra az akkumulátor pozitív pólusát a jármű pozitív csatlakozójához.
- Csatlakoztassa újra az akkumulátor negatív pólusát a jármű negatív csatlakozójához.

Töltési mód kiválasztása

Különböző környezeti hőmérsékletek mellett különböző töltési módokkal sokféle akkumulátortölthet. A biztonságos töltési folyamat véd a hibás csatlakozás és rövidzárlatok ellen. A beépített elektronika nem közvetlenül a csatlakoztatás után, hanem csak a töltési mód kiválasztása után kapcsolja be az akkumulátortöltőt.

- Amennyiben a „+/- error” jelzőfény világit, ellenőrizze, hogy az akkusaruk (4 és 5) helyesen vannak-e csatlakoztatva az akkumulátorhoz, és

hogy a megfelelő akkumulátortípus lett-e kiválasztva a töltőn.

KIJELZŐ gomb (1)

A gomb megnyomásával a különböző kijelzési módok között válthat. A kiválasztott kijelzési módot a gomb melletti jelzőfények jelzik. A következő üzemmódok állnak rendelkezésre:

- Battery % (akkumulátor %): a kijelző a csatlakoztatott akkumulátor aktuális töltöttségi állapotát mutatja 0% (nincs töltés) és 100% (teljes töltés) között
- Voltage (feszültség): a kijelző a csatlakoztatott akkumulátor feszültségét mutatja
- Alternator % (alternátor %): a kijelző a töltő kimeneti teljesítményét mutatja 0% (kikapcsolt állapot) és 100% (teljes teljesítmény) között

AKKUTÍPUS gomb (2)

A gomb megnyomásával a különböző akkumulátortípusok között válthat.



Ügyeljen arra, hogy a töltési folyamat megkezdése előtt válassza ki a megfelelő akkumulátortípust. Az aktuálisan kiválasztott akkumulátortípust az AKKUTÍPUS gomb (2) melletti jelzőfények jelzik.

A következő akkumulátortípusok támogatottak:

- 12 V-os hagyományos
- 12 V-os mélyciklusú
- 12 V-os zselés / AGM
- 6 V-os hagyományos

Megjegyzés: A töltő a csatlakoztatása után automatikusan meghatározza az akkumulátor feszültségét. Ha a töltő a 12 V-os akkumulátort tévesen 6 V-os akkumulátorként érzékeli, az azt jelenti, hogy az akkumulátor hibás és/vagy túl van töltve. A hibás akkumulátorokat ki kell cserélni. Ne próbálja meg feltölteni a hibás akkumulátort.

ÜZEMMÓD gomb (3)

A gomb megnyomásával a különböző üzemmódok között válthat. A következő üzemmódok közül választhat:

- Fast charge (gyorstöltés): Az akkumulátor gyors feltöltése. Alacsony környezeti hőmérséklet esetén ajánlott beállítás.
- Normal charge (normál töltés): Normál töltési folyamat.

- Start (indítás): Rövid ideig nagy áramot szolgáltat a gyenge vagy lemerült akkumulátorral rendelkező jármű indításához.

A bikázó üzemmód használata

Megjegyzés: A bikázó üzemmódból csak a tápkábel (7) kihúzásával lehet kilépni.



FIGYELMEZTETÉS! A csatlakozásokat mindig a jelen használati útmutatóban leírtaknak megfelelően, a megadott sorrendben végezze el. Ellenkező esetben károsodhat a jármű elektronikája. Csak saját kockázatára és felelősségére térhet el az előírásoktól. A bikázó üzemmód nem alkalmas 45 Ah-nál kisebb kapacitású akkumulátorokhoz. Ennek az üzemmódnak a használata 45 Ah-nál kisebb kapacitású akkumulátoron az akkumulátor károsodását eredményezheti. Vegye figyelembe, hogy egyes dízel- és nagy lökettérfogatú benzinmotorok a készülék támogatott maximális értékénél (75 A) nagyobb indítóáramot igényelnek – ha az akkumulátor teljesen lemerült, a 75 A maximális áram nem biztos, hogy elegendő lesz az ilyen típusú motorok indításához.

A töltő elemző programja védi az akkut a károsodástól (pl. szulfátosodás vagy gyors feszültségesés), különösen bikázás közben. Nagyon lemerült vagy erősen igénybe vett akkumulátor esetén a készülék az akku védelme érdekében nem kapcsolja be a bikázó módot. A folyamat során az akkumulátor kis áramerősséggel töltődik, és a „Töltés” jelzőfény világít. A kijelzőn továbbra is „0” jelenik meg. Ebben az esetben az akkumulátor károsodástól való megóvása érdekében a bikázás funkció nem használható. Először töltse az akkumulátort egy ideig normál vagy gyorsított üzemmódban, mielőtt újra megpróbálná használni a bikázás funkciót.

- Csatlakoztassa a tápkábelt (7) a hálózati csatlakozóaljzathoz.
- Csatlakoztassa a pozitív (piros) sarut (5) az akkumulátor pozitív (+) pólusához.
- Csatlakoztassa a negatív (fekete) sarut (4) az akkumulátor negatív (-) pólusához.
- Ha az akkusaruk helyesen vannak csatlakoztatva, a töltő automatikusan kiválasztja a megfelelő akkumulátortípust.

- Vegye szemügyre az akkumulátortípus-kijelzést, és szükség esetén állítsa be az AKKUTÍPUS (2) gomb segítségével.
- Ekkor válassza ki a Start (indítási) módot az ÜZEMMÓD gomb (3) segítségével. A töltő elemezni fogja az akkumulátor töltöttségi szintjét, és a kijelzőn (6) a „0” jelenik meg.
- Adja rá a gyújtást a járműben. A kijelzőn ekkor egy 5 másodperces visszaszámlálás jelenik meg: 2 másodperc előkészítés/elemezés, majd 3 másodperc bikázás.
- Ez alatt a visszaszámlálás alatt a töltő rövid ideig 75 A-t szolgáltat, hogy elinduljon a motor. Az akkumulátor védelme érdekében a visszaszámlálást egy 180 másodperces szünet követi.
- A 180 másodperces szünet után a ciklus újraindul (2 másodperc előkészítés, 3 másodperc indítás, 180 másodperc szünet), és újra megpróbálhatja beindítani a motort.
- A töltő leválasztása: először válassza le a negatív (fekete) sarut (4) az akkumulátor pólusáról, majd válassza le a pozitív (piros) sarut (5) az akkumulátor pólusáról.

Akkumulátor-regenerálási üzemmód

A nagyon lemerült 12 V-os akkumulátorokat a töltő a tényleges töltési folyamat megkezdése előtt helyreállítja, regenerálja. Ha az akkumulátor feszültsége 8,5 és 10,5 V közötti, a töltő automatikusan bekapcsolja a regenerálási üzemmódot. A regenerálási folyamat során a „Töltés” jelzőfény villog, és az akkumulátortöltő 2 másodpercig 2 A töltőárammal tölti az akkumulátort, majd 1 másodpercre leáll. Ez a ciklus 10 percig ismétlődik. A regenerálási folyamat után a töltő újra megméri az akkumulátor feszültségét.

- Ha a feszültség ekkor 10,5 V felett van, akkor a 12 V-os töltési folyamat automatikusan elindul.
- Ha a feszültség még mindig 10,5 V alatt van, az akkumulátor hibásnak minősül. A töltés leáll, és a kijelzőn az „Err” felirat jelzi a hibát.

4. KARBANTARTÁS



Mindig húzza ki a tápkábelt a hálózati csatlakozóaljzatból, mielőtt az akkumulátortöltőn bármilyen munkát végez.

A biztosíték cseréje (B1, B2 ábra)

A következő lépéseket követve cserélje ki a töltő biztosítékát:

- Húzza ki a tápkábelt a hálózati csatlakozóaljzattól.
- Távolítsa el a biztosíték fedelét (8) a fedél oldalának benyomásával.
- Csavarja ki a biztosítékot egy megfelelő (dugó) kulcs segítségével.
- Cserélje ki a biztosítékot.

Tisztítás

- Tisztítsa meg a gép fém- és műanyag részeit száraz ruhával.
- Ne használjon súroló hatású tisztítószeret.
- Ne használjon semmilyen oldószert, például benzint, alkoholt, ammóniát stb.

KÖRNYEZETVÉDELEM



A hibás vagy feleslegessé vált elektromos, elektronikus készülékeket az ezzel foglalkozó gyűjtőpontokon kell leadni.

Csak EU országokban

Elektromos szerszámokat ne dobjon a háztartási hulladékok közé. Az elektromos és elektronikai hulladékokra vonatkozó, 2012/19/EU európai irányelv és annak a nemzeti törvénykezésbe történő átültetése értelmében az elhasznált elektromos készülékeket külön kell gyűjteni és környezetbarát módon kell kiselejtezni.

JÓTÁLLÁS

A VONROC termékei a legmagasabb minőségi normák szerint készülnek, és az eredeti vásárlás napjától számított, törvényileg előírt időtartamig garantáljuk, hogy anyag- és gyártási hibáktól mentesen fognak működni. Ha a terméken ezen időszak alatt bármilyen hiba jelentkezik anyag- és/vagy gyártási hiba miatt, kérjük, forduljon közvetlenül a VONROC kapcsolattartójához.

A szavatosság nem érvényes a következő körülmények egyikére sem:

- Nem hivatalos szervizközpontok javítást vagy módosítást végeztek (vagy megkíséreltek javítást vagy módosítást végezni) a gépen.
- Normál elhasználódás és kopás.

- A szerszámot szabálytalanul vagy nem rendeltetésszerűen használták, vagy a karbantartása nem volt megfelelő;
- Nem eredeti pótalkatrészeket használtak.

A jelen garancia a vállalat által (akár kifejezetten, akár hallgatólágosan) biztosított kizárólagos garancia. Nem léteznek olyan egyéb garanciák (sem kifejezett, sem hallgatólágos garanciák, beleértve az értékesíthetőségre és az adott célra való alkalmasságra vonatkozó hallgatólágos garanciákat is), amelyek a jelen garancia hatókörén túlmutatnak. A VONROC semmilyen esetben sem felelős semmilyen járulékos vagy következményes kárért. A forgalmazók jogorvoslati teendői az előírásoknak nem megfelelő egységek vagy alkatrészek javítására és cseréjére korlátozódnak.

A termék és a használati útmutató változtatásának jogát fenntartjuk. A műszaki adatok előzetes bejelentés nélkül változhatnak.

1. BEZPEČNOSTNÍ POKYNY

Přečtěte si příložené bezpečnostní výstrahy, dodatečné bezpečnostní výstrahy a bezpečnostní pokyny. Nebudete-li dodržovat tyto bezpečnostní výstrahy a pokyny, může dojít k úrazu elektrickým proudem, k vzniku požáru nebo k vážnému zranění. Uchovejte tyto bezpečnostní výstrahy a pokyny pro budoucí použití.

V tomto návodu k obsluze a na tomto výrobku jsou použity následující symboly:



Přečtěte si uživatelskou příručku.



Upozorňuje na riziko zranění osob, ztráty života nebo poškození zařízení, nebudou-li dodržovány pokyny uvedené v tomto návodu.



Upozorňuje na riziko úrazu elektrickým proudem.



Upozorňuje na riziko exploze.



Nelikvidujte tento výrobek do nevhodného kontejneru.



V souladu s platnými bezpečnostními normami a evropskými směnicemi.

ZÁKLADNÍ BEZPEČNOSTNÍ VÝSTRAHY PRO ELEKTRICKÉ NÁŘADÍ



VAROVÁNÍ! Přečtěte si všechny bezpečnostní výstrahy a všechny pokyny.

Nebudete-li dodržovat tyto bezpečnostní výstrahy a pokyny, může dojít k úrazu elektrickým proudem, k vzniku požáru nebo k způsobení vážného zranění.

Uchovejte všechny bezpečnostní výstrahy a pokyny pro budoucí použití.

Termín elektrické nářadí v těchto varováních odkazuje na elektrické nářadí napájené z elektrické sítě (s napájecím kabelem) nebo z akumulátoru (bez napájecího kabelu).

1) Bezpečnost pracovního prostoru

- a) **Udržujte čistotu na pracovišti a zajistěte jeho řádné osvětlení.** Neuklizená nebo tmavá místa přivolávají nehody.

- b) **Nepoužívejte elektrická nářadí ve výbušných prostředích, jako jsou místa, kde se vyskytují hořlavé kapaliny, plyny nebo prašné látky.**
V elektrickém nářadí dochází k jiskření, které může způsobit vznícení prachu nebo výparů.
- c) **Při práci s tímto elektrickým nářadím udržujte děti a okolo stojící osoby v bezpečné vzdálenosti.** Rozptylování může způsobit ztrátu kontroly nad nářadím.
- 2) Elektrická bezpečnost**
- a) **Zástrčka napájecího kabelu nářadí musí odpovídat zásuvce. Zástrčku nikdy žádným způsobem neupravujte. Nepoužívejte u uzemněného elektrického nářadí žádné adaptéry zástrček.**
Neupravené zástrčky a odpovídající zásuvky budou snižovat riziko úrazu elektrickým proudem.
- b) **Vyvarujte se kontaktu těla s uzemněnými povrchy, jako jsou potrubí, radiátory, trouby a ledničky.** Dojde-li k uzemnění vašeho těla, hrozí zvýšené riziko způsobení úrazu elektrickým proudem.
- c) **Nevystavujte elektrické nářadí dešti ani vlhkému prostředí.** Dostane-li se do elektrického nářadí voda, zvýší se riziko úrazu elektrickým proudem.
- d) **Nezacházejte špatně s napájecím kabelem. Nikdy nepoužívejte napájecí kabel pro přenášení nebo tahání elektrického nářadí ani netahejte za tento kabel při vypojování zástrčky ze zásuvky. Dbejte na to, aby tento kabel nepřecházel přes horké a mastné povrchy ani přes ostré hrany a aby se nedostal do kontaktu s pohybujícími se díly.** Poškozené nebo zamotané kabely zvyšují riziko úrazu elektrickým proudem.
- e) **Používáte-li elektrické nářadí venku, používejte prodlužovací kabel vhodný pro venkovní použití.** Použití prodlužovacího kabelu pro venkovní použití snižuje riziko úrazu elektrickým proudem.
- f) **Musíte-li používat toto elektrické nářadí ve vlhkém prostředí, používejte v elektrickém obvodu proudový chránič (RCD).** Použití proudového chrániče (RCD) snižuje riziko úrazu elektrickým proudem.
- 3) Bezpečnost osob**
- a) **Při práci s tímto elektrickým nářadím buďte stále pozorní, sledujte, co provádíte a používejte zdravý rozum. Nepoužívejte elektrické nářadí, jste-li unaveni nebo jste-li pod vlivem drog, alkoholu nebo léků.** Nepozornost při práci s elektrickým nářadím může vést k velmi nebezpečným zraněním.
- b) **Vždy používejte osobní ochranné prostředky. Vždy používejte ochranu zraku.** Ochranné prostředky, jako jsou maska proti prachu, neklouzavá pracovní ochranná obuv, pevná přilba nebo chrániče sluchu, které jsou používány v příslušných podmínkách, zmenšují riziko způsobení zranění osob.
- c) **Zabraňte náhodnému spuštění nářadí. Před připojením elektrického nářadí k napájecímu zdroji nebo před vložením akumulátoru do nářadí, před zvednutím nářadí nebo před jeho přenášením se ujistěte, zda je spínač nářadí v poloze vypnuto.** Přenášení elektrického nářadí s prstem na spouštěcím spínači nebo připojení elektrického nářadí ke zdroji elektrické energie, je-li spouštěcí spínač v poloze zapnuto, zvyšuje pravděpodobnost vzniku nehod.
- d) **Před zapnutím elektrického nářadí vždy odstraňte všechny klíče a seřizovací přípravky.** Klíče nebo seřizovací přípravky ponechané na rotující části elektrického nářadí mohou způsobit zranění osob.
- e) **Nepřeceňujte své síly. Vždy udržujte správný postoj a rovnováhu.** Tak si zachováte lepší kontrolu nad nářadím v neočekávaných situacích.
- f) **Vhodně se oblékejte. Nenoste volný oděv nebo šperky. Udržujte vlasy, oblečení a rukavice v bezpečné vzdálenosti od všech pohyblivých částí.** Volný oděv, šperky nebo dlouhé vlasy mohou být zachyceny pohybujícími se díly.
- g) **Jsou-li zařízení vybavena adaptérem pro připojení odsávacího systému, ujistěte se, zda je odsávací zařízení správně připojeno a zda správně vykonává svou práci.** Použití odsávání prachu může snížit rizika spojená prací v prašném prostředí.
- h) **Nedovoľte, aby jistota získaná častým používáním nářadí vedla ke snížení vaší pozornosti a ignorování zásad bezpečné práce s nářadím.** Chvilková nepozornost může během zlomku sekundy způsobit vážné zranění.
- 4) Použití elektrického nářadí a jeho údržba**
- a) **Nepřetěžujte elektrické nářadí. Používejte pro prováděnou práci správné elektrické nářadí.** Správné elektrické nářadí provede práci lépe a bezpečněji, je-li použito pro práce, pro které je určeno.

- b) **Nepoužívejte elektrické nářadí, nepracuje-li správně jeho spouštěcí spínač.** Nemůžete-li elektrické nářadí ovládat pomocí spouštěcího spínače, takové nářadí je velmi nebezpečné a musí být opraveno.
- c) **Před prováděním jakéhokoliv seřízení, před výměnou příslušenství nebo před uloženíím odpojenapájecí kabel nářadí od napájecího zdroje nebo z nářadí vyjměte akumulátor.** Tato preventivní bezpečnostní opatření snižují riziko náhodného spuštění elektrického nářadí.
- d) **Uložte nepoužívané elektrické nářadí mimo dosah dětí a nedovoďte osobám, které nejsou obkypnány s tímto nářadím nebo s těmito pokyny, aby toto elektrické nářadí používaly.** Elektrické nářadí je v rukách neproškolených osob nebezpečné.
- e) **Provádějte údržbu elektrického nářadí. Zkontrolujte vychýlení nebo zablokování pohyblivých částí, poškození dílů a stavy nářadí, které by mohly mít vliv na správnou funkci nářadí. Je-li elektrické nářadí poškozeno, zajistěte jeho opravu dříve, než ho použijete.** Mnoho nehod bývá způsobeno nedostatečnou údržbou elektrického nářadí.
- f) **Udržujte ostré a čisté řezné nástroje.** U správně udržovaných řezných nástrojů s ostrými řeznými břity je menší pravděpodobnost jejich zablokování a lépe se s nimi pracuje.
- g) **Používejte elektrické nářadí, příslušenství, pracovní nástroje atd., podle těchto pokynů a berte v úvahu pracovní podmínky a práci, která bude prováděna.** Použití elektrického nářadí pro operace, pro které není určeno, může vést k nebezpečným situacím.
- h) **Dbejte na to, aby byly rukojeti a úchopné povrchy suché, čisté a zbavené olejů a maziv.** Kluzké rukojeti a úchopné plochy neumožňují bezpečnou manipulaci a ovládání nářadí v neočekávaných situacích.
- 5) **Použití a údržba akumulátorového nářadí**
- a) **K nabíjení používejte výhradně nabíječku předepsanou výrobcem.** Nabíječka vhodná pro jeden typ akumulátoru může způsobit požár při vložení jiného, nevhodného typu.
- b) **Používejte elektrické nářadí pouze s předepsanými akumulátory.** Použití jiných typů akumulátoru může způsobit požár nebo zranění.
- c) **Není-li akumulátor používán, uložte ho mimo dosah kovových předmětů, jako jsou kancelářské**

sponky, mince, klíče, hřebíky, šroubky nebo jiné malé kovové předměty, které by mohly zkratovat jeho kontakty. Zkratování kontaktů akumulátoru může způsobit popálení nebo požár.

- d) **Za nevhodných podmínek může z akumulátoru unikat kapalina. Vyvarujte se kontaktu s touto kapalinou. Dojde-li k náhodnému kontaktu s touto kapalinou, zasažené místo omyjte vodou. Dostane-li se kapalina do očí, ihned si je vypláchněte vodou a vyhledejte lékařskou pomoc.** Unikající kapalina z akumulátoru může způsobit podráždění pokožky nebo popálení.
- e) **Nepoužívejte poškozený nebo upravený akumulátor či nářadí.** Poškozené nebo upravené akumulátory se mohou chovat nepředvídatelně, což může způsobit požár, výbuch nebo nebezpečí zranění.
- f) **Nevystavujte akumulátor ani nářadí ohni ani nadměrným teplotám.** Vystavení účinkům ohně nebo teplot nad 130 °C může způsobit výbuch. POZNÁMKA: Teplota „130 °C“ odpovídá teplotě „265 °F“.
- g) **Dodržujte všechny pokyny pro nabíjení a ne-nabíjejte akumulátor ani nářadí mimo teplotní rozsah předepsaný v těchto pokynech.** Nesprávné nabíjení nebo nabíjení při teplotě mimo specifikovaný rozsah může poškodit akumulátor a zvýšit nebezpečí vzniku požáru.

6) Servis

- a) **Svěřte opravu svého elektrického nářadí pouze osobě s příslušnou kvalifikací, která bude používat výhradně originální náhradní díly.** Tím zajistíte bezpečný provoz tohoto elektrického nářadí.
- b) **Nikdy neopravujte poškozené akumulátorové moduly.** Opravy akumulátorů smí provádět výhradně výrobce nebo technik autorizovaného servisu.

DALŠÍ BEZPEČNOSTNÍ POKYNY PRO NABÍJEČKY AKUMULÁTORŮ

Při konstruování nabíječky akumulátoru byly zohledněny požadavky pro bezpečné použití. Jakékoliv změny, úpravy, konverze nebo jakékoliv jiné použití může narušit bezpečnost přístroje. Navíc z tohoto důvodu zanikne platnost záruky.



Udržujte mimo dosah dětí!

- Zabraňte ohrožení života a riziku zranění z důvodu nesprávného použití!

- Nepoužívejte toto zařízení, došlo-li k poškození kabelů, napájecího kabelu nebo jeho zástrčky. Poškozený napájecí kabel představuje nebezpečí smrtelného úrazu elektrickým proudem.
- Opravu poškozeného napájecího kabelu svěřte pouze autorizovanému servisu nebo školeným profesionálům! Je-li nutné provedení opravy, kontaktujte prosím nejbližší autorizovaný servis
- Riziko úrazu elektrickým proudem! U akumulátorů trvale namontovaných ve vozidlech vždy ověřte, zda je u vozidla vypnuto zapalování! Vypněte zapalování a zaparkujte vozidlo pomocí ruční parkovací brzdy (například automobil) nebo upevňovací lana (například elektrické plavidlo)!
- Riziko úrazu elektrickým proudem! Před připojením nebo odpojením svorek od akumulátoru vždy odpojte nabíječku od elektrické sítě.
- Nejdříve připojte svorku, která nebude připojena na kostru.
- Připojte druhou svorku na kostru vozidla v dostatečné vzdálenosti od akumulátoru a palivového potrubí. Potom pouze připojte nabíječku k elektrické síti.
- Po ukončení nabíjení odpojte nabíječku od elektrické sítě.



Nebezpečí úrazu elektrickým proudem!

Dotýkejte se svorek propojovacích kabelů („-“ a „+“) pouze za izolované části!

- Nebezpečí úrazu elektrickým proudem! Proveďte řádné připojení k akumulátoru a k elektrické zásuvce, které je zcela chráněno před vlhkostí.
- Nebezpečí úrazu elektrickým proudem! Provádějte sestavení, údržbu a servis této nabíječky pouze v případě, je-li odpojena od elektrické sítě!
- Nebezpečí úrazu elektrickým proudem! Jakmile je proces nabíjení dokončen, u akumulátorů trvale instalovaných ve vozidlech nejdříve odpojte záporný propojovací kabel (černý) nabíječky od záporného pólu akumulátoru.
- Nenechávejte děti a batolata bez dozoru v blízkosti nabíječky!
- Děti ještě nejsou schopny posoudit potenciální nebezpečí při manipulaci s elektrickými přístroji. Stále dávejte pozor na děti, aby bylo zaručeno, že si s tímto zařízením nebudou hrát.



Riziko exploze! *Chraňte se před vysoce výbušnou směsí vodíku a kyslíku! Během nabíjení a udržovacího nabíjení může z akumulátoru unikat plyný vodík. Směs plyného kyslíku a vodíku je vysoce výbušná. Kontakt s otevřeným ohněm (plameny, uhlíky nebo jiskry) způsobí výbušnou reakci! Provádějte nabíjení a udržovací nabíjení v dobře větrané místnosti chráněné před povětrnostními vlivy. Ujistěte se, zda se během nabíjení a udržovacího nabíjení nenachází v blízkosti žádný otevřený plamen!*

- Nebezpečí exploze a riziko požáru! Ujistěte se, zda při použití nabíječky nehrozí žádná možnost vznícení výbušných nebo hořlavých materiálů, jako jsou například benzín nebo rozpouštědla!
- Výbušné plyny! Vyvarujte se plamenů a jiskření!
- Při nabíjení zajistěte odpovídající větrání.
- Při nabíjení umístěte akumulátor na dobře větrané místo. Ignorování tohoto pokynu může vést k poškození tohoto zařízení.



Riziko exploze! *Zajistěte, aby se kladný propojovací kabel nedostal do kontaktu s palivovými vedeními.*

- Riziko poleptání! Dostanete-li se do kontaktu s akumulátorem, chraňte si oči a pokožku před poleptáním způsobeným elektrolytem!
- Používejte ochranné brýle, oděv a rukavice odolné proti elektrolytu! Dostanou-li se vaše oči nebo pokožka do kontaktu s kyselinou z akumulátoru, okamžitě opláchněte zasažené místo velkým množstvím čisté vody a ihned vyhledejte lékařské ošetření!
- Při připojování nabíječky k akumulátoru zabraňte způsobení zkratu. Připojujte záporný propojovací kabel pouze k záporné svorce akumulátoru nebo ke kostře vozidla. Připojujte kladný propojovací kabel pouze ke kladnému pólu akumulátoru!
- Před připojením k elektrické síti si ověřte, zda napájecí napětí v síti odpovídá požadovanému napětí 230 V (střídavé) s frekvencí 50 Hz, nulovým vodičem, pojistkou 16 A a jističem ELCB (proudový jistič)! Ignorování tohoto pokynu může vést k poškození tohoto zařízení.
- Nepokládejte tuto nabíječku do blízkosti ohně a zdrojů tepla. Nevystavujte ji dlouhodobě

působení teploty vyšší než 50 °C! Výstupní výkon nabíječky při vysokých teplotách automaticky poklesne.

- Při práci s touto nabíječkou se ujistěte, zda nedošlo prostřednictvím šroubů k žádnému poškození palivových hadiček, elektrických vodičů, hadic na olej a vodu! Při nedodržení tohoto pokynu hrozí riziko vážného nebo smrtelného zranění!
- Používejte tuto nabíječku pouze s dodanými originálními díly!
- Nezakrývejte tuto nabíječku žádnými předměty! Ignorování tohoto pokynu může vést k poškození tohoto zařízení.
- Chraňte povrch elektrických kontaktů akumulátoru před zkratem!
- Používejte tuto nabíječku jen k nabíjení a udržovacímu nabíjení nepoškozených olověných akumulátorů s napájecím napětím 6 V/12 V (s elektrolytem či gelem)! Jiné materiály by mohly způsobit poškození.
- Nepoužívejte tuto nabíječku pro nabíjení nebo udržovací nabíjení baterií, které nemohou být nabíjeny. Jiné materiály by mohly způsobit poškození.
- Nepoužívejte tuto nabíječku pro nabíjení nebo udržovací nabíjení poškozených nebo zmrzlých akumulátorů! Jiné materiály by mohly způsobit poškození.
- Před připojením nabíječky si prostudujte originální pokyny pro použití této nabíječky, kde naleznete pokyny pro její údržbu! Při nedodržení tohoto pokynu hrozí riziko zranění nebo poškození tohoto zařízení.
- Před připojením této nabíječky k akumulátoru, který je trvale připojen k vozidlu, postupujte podle pokynů určených pro obsluhu vozidla, kde naleznete informace týkající se elektrické bezpečnosti a údržby! Při nedodržení tohoto pokynu hrozí riziko zranění nebo poškození tohoto zařízení.
- Není-li tato nabíječka používána, z důvodu ochrany životního prostředí ji odpojte od napájecího zdroje! Nezapomínejte, že pohotovostní provozní režim také spotřebovává elektrickou energii.
- Vždy dávejte pozor a stále pečlivě sledujte, co provádíte. Vždy pracujte velmi opatrně a nepoužívejte tuto nabíječku, nejste-li v pořádku nebo necítíte-li se dobře.

2. INFORMACE O ZAŘÍZENÍ

Použití v souladu s určením

Toto zařízení je určeno pro nabíjení různých akumulátorů typu SLA (zapouzdřené akumulátory s elektrolytem), které jsou používány zejména ve vozidlech, motocyklech a některých dalších vozidlech. Podporované typy akumulátorů jsou Regular, Deep cycle, Gel nebo AGM lead-acid. Speciální funkce tohoto zařízení umožňuje nabíjení akumulátoru téměř na 100 % jeho kapacity.

TECHNICKÉ ÚDAJE

Model č.	BC501AC
Napětí sítě	230 V
Frekvence sítě	50 Hz
Příkon	350 W
Závěrný proud (bez střídavého napájení)	< 5 mA
Jmenovité výstupní napětí	6 V/12 V
Nabíjecí proud	2 A/6 A/15 A +/-10 %
Podporované typy akumulátorů	Regular / Deep cycle / Gel / AGM
Podporované kapacity akumulátorů	8-210 Ah
Stupeň krytí	IP 20
Startovací proud pomocného startování	75 A max.
Interval použití při pomocném startování	3 s ZAP/180 s VYP

POPIS

Čísla v následujícím textu odkazují na obrázky na straně 2.

1. Tlačítko displeje DISPLAY
2. Tlačítko typu akumulátoru BATTERY TYPE
3. Tlačítko režimu MODE
4. Svorka záporného pólu (-)
5. Svorka kladného pólu (+)
6. Digitální displej
7. Napájecí kabel
8. Pojistka s krytem

3. POUŽITÍ



Před prováděním jakékoli práce na nabíječce odpojte zástrčku napájecího kabelu od síťové zásuvky. Riziko úrazu způsobeného elektrickým proudem! Riziko způsobení hmotných škod! Riziko zranění!

Připojování

- Před nabíjením a udržovacím nabíjením akumulátoru, který je trvale připojený k vozidlu nejdříve odpojte záporný pól akumulátoru od vozidla.
- Potom odpojte kladný pól akumulátoru od vozidla.
- Až potom připojte kladnou (červenou) svorku (5) nabíječky ke kladnému (+) pólu akumulátoru.
- Nakonec připojte zápornou (černou) svorku (4) nabíječky ke kladnému (-) pólu akumulátoru.

Poznámka: Budou-li svorky kabelů připojeny správně, na displeji (6) bude zobrazeno napětí a rozsvítí se kontrolka připojení „Connected“.

Pokud jsou póly připojeny obráceně, na displeji (6) se zobrazí „0.0“ a kontrolka „+/- Error“ bude svícením signalizovat nesprávnou polaritu.

Odpojování

- Nejprve odpojte nabíječku akumulátorů od elektrické sítě.
- Odpojte zápornou svorku (černá) (4) od pólu akumulátoru.
- Odpojte kladnou svorku (červená) (5) od pólu akumulátoru.
- Znovu připojte kladný pól akumulátoru ke kladné přípojce vozidla.
- Znovu připojte záporný pól akumulátoru k záporné přípojce vozidla.

Volba režimu nabíjení

Pomocí různých režimů nabíjení můžete nabíjet různé akumulátory při různých teplotách okolí. Bezpečný nabíjecí proces zaručuje ochranu proti nesprávnému zapojení a zkratu. Integrovaný elektronický systém nezapne nabíječku ihned po připojení, ale pouze po zvolení režimu nabíjení.

- Pokud svítí kontrolka „+/- Error“, zkontrolujte správné připojení svorek (4 a 5) k akumulátoru a zvolení správného typu akumulátoru na nabíječce.

Tlačítko displeje DISPLAY (1)

Stisknutím tohoto tlačítka se přepínají různé režimy displeje. Zvolený režim displeje je signalizován kontrolkami u displeje. K dispozici jsou následující režimy:

- Battery %: displej zobrazuje aktuální stav nabití připojeného akumulátoru v rozsahu 0 % (nulové nabití) do 100 % (plné nabití)
- Voltage: displej zobrazuje napětí připojeného akumulátoru
- Alternator %: displej zobrazuje výstupní výkon nabíječky v rozsahu od 0 % (vyp) do 100 % (plný výkon)

Tlačítko typu akumulátoru BATTERY TYPE (2)

Stisknutím tohoto tlačítka se přepínají různé typy akumulátoru.



Před zahájením procesu nabíjení věnujte pozornost volbě správného typu akumulátoru. Aktuálně zvolený typ akumulátoru je signalizován kontrolkami u tlačítka BATTERY TYPE (2).

Jsou podporovány následující typy akumulátoru:

- 12V Regular
- 12V Deep cycle
- 12V Gel / AGM
- 6V Regular

Poznámka: Nabíječka po připojení automaticky zjistí napětí akumulátoru. Pokud nabíječka nesprávně detekuje 12V akumulátor jako 6V akumulátor, znamená to, že akumulátor je vadný a/nebo příliš vybitý. Vadné akumulátory je nutné vyměnit; nepokoušejte se nabíjet vadný akumulátor.

Tlačítko režimu MODE (3)

Stisknutím tohoto tlačítka se přepínají různé provozní režimy. Lze zvolit následující provozní režimy:

- Fast charge: Provádí rychlé nabíjení akumulátoru. Doporučené nastavení pro nízké teploty okolí.
- Normal charge: Normální proces nabíjení.
- Start: Krátce poskytuje velký proud pro pomocné startování při slabém nebo vybitém akumulátoru.

Použití režimu pomocného startování

Poznámka: Režim pomocného startování lze opustit pouze vytažením zástrčky napájecího kabelu (7) ze zásuvky.



VAROVÁNÍ! Vždy dbejte na připojování ve správném pořadí podle popisu v tomto návodu. Jinak by mohlo dojít k poškození elektroniky vozidla. Nedodržíte-li uvedenou specifikaci, budete jednat na vlastní odpovědnost a budete odpovídat za všechna rizika. Režim pomocného startování není vhodný pro akumulátory s kapacitou nižší než 45 Ah. Při použití tohoto režimu u akumulátoru s kapacitou pod 45 Ah může dojít k poškození akumulátoru. Upozorňujeme, že některé vznětové motory a některé zážehové motory s velkým zdvihovým objemem vyžadují startovací proud vyšší než maximální proud tohoto zařízení (75 A); pokud je akumulátor úplně vybitý, maximální proud 75 A nemusí stačit k nastartování těchto motorů.

Tato nabíječka disponuje analytickým programem na ochranu akumulátoru před poškozením (například sulfatace nebo rychlé poklesy napětí), a to zejména při pomocném startování motoru. Toto zařízení neprovede zapnutí v režimu pomocné startování u velmi vybitého nebo velmi zatíženého akumulátoru, aby byla zajištěna jeho ochrana. Během procesu se akumulátor bude nabíjet nízkým proudem a bude svítit kontrolka nabíjení „Charging“. Na displeji bude stále zobrazena hodnota „0“. V tomto případě nemůže být funkce pomocného startování použita z důvodu ochrany akumulátoru. Před opětovným pokusem o pomocné startování byste měli akumulátor po nějakou dobu nabíjet v režimu Normal nebo Fast Charge.

- Zástrčku napájecího kabelu (7) připojte k síťové zásuvce.
- Kladnou (červenou) svorku (5) připojte ke kladnému (+) pólu akumulátoru.
- Zápornou (černou) svorku (4) připojte k zápornému (-) pólu akumulátoru.
- Jsou-li svorky připojeny správně, nabíječka automaticky zvolí správný typ akumulátoru.
- Zkontrolujte indikátor typu akumulátoru a v případě potřeby proveďte úpravu pomocí tlačítka typu akumulátoru BATTERY TYPE (2).
- Nyní zvolte režim Start pomocí tlačítka režimu MODE (3). Nabíječka provede analýzu stavu nabíjení akumulátoru a na displeji (6) se zobrazí „0“.
- Zapněte zapalování vozidla. Na displeji se teď na 5 sekund zobrazí odpočet: 2 sekundy iniciace/analýza a následně 3 sekundy pomocné startování.

- Během odpočtu bude nabíječka pro startování motoru krátce dodávat proud 75 A. Po odpočtu následuje pauza v trvání 180 sekund, aby byl chráněn akumulátor.
- Po pauze trvající 180 sekund se cyklus restartuje (2 sekundy iniciace, 3 sekundy startování, 180 sekund pauza) a může se znovu pokusit o nastartování motoru.
- Postup odpojení nabíječky: nejprve odpojte zápornou (černou) svorku (4) od pólu akumulátoru, potom odpojte kladnou (červenou) svorku (5) od pólu akumulátoru.

Režim obnovy akumulátoru

Hluboce vybité 12V akumulátory lze nabíječkou obnovit před zahájením procesu nabíjení. Když je napětí akumulátoru mezi 8,5 a 10,5 V, nabíječka automaticky vstoupí do režimu obnovy. Během procesu obnovy bude blikat kontrolka nabíjení „Charging“ a nabíječka bude akumulátor nabíjet proudem 2 A po dobu 2 sekund, potom bude pauza 1 sekunda. Tento cyklus se opakuje 10 minut. Po procesu obnovy nabíječka znovu změří napětí akumulátoru.

- Pokud je teď napětí vyšší než 10,5 V, automaticky se zahájí proces nabíjení 12 V.
- Pokud je napětí nadále nižší než 10,5 V, je akumulátor považován za vadný. Nabíjení se zastaví a na displeji se zobrazí „Err“ signalizující nastalou chybu.

4. ÚDRŽBA



Před prováděním práce na nabíječce vždy odpojte napájecí kabel od síťové zásuvky.

Výměna pojistky (obr. B1, B2)

Při výměně pojistky nabíječky proveďte následující kroky:

- Odpojte napájecí kabel od síťové zásuvky.
- Sejměte kryt pojistky (8) zatlačením na jeho stranu.
- Vyšroubujte pojistku pomocí vhodného stranového nebo nástrčného klíče.
- Vyměňte pojistku

Čištění

- Kovové a plastové díly stroje čistěte suchou tkaninou.
- Nepoužívejte abrazivní čisticí prostředky.
- Nepoužívejte rozpouštědla jako benzín, líh, čpavek atd.

OCHRANA ŽIVOTNÍHO PROSTŘEDÍ



Poškozená a likvidovaná elektrická nebo elektronická zařízení musí být odevzdána ve sběrných dvorech, které jsou určeny pro tento účel.

Pouze pro země EU

Nevyhazujte elektrická nářadí do běžného domácího odpadu. Podle evropské směrnice 2012/19/EC týkající se likvidace elektrických a elektronických zařízení a její implementace do vnitrostátního práva, musí být nepoužívaná elektrická nářadí shromažďována odděleně a jejich likvidace musí být provedena tak, aby nedošlo k ohrožení životního prostředí.

ZÁRUKA

Výrobky VONROC jsou vyvíjeny v souladu s požadavky norem na nejvyšší kvalitu a je zaručeno, že po dobu platné záruky, která začíná běžet dnem původního nákupu, nebudou na těchto výrobcích žádné vady materiálu, ani vady způsobené špatným dílenským zpracováním. Dojde-li během tohoto období k závadě v důsledku vady materiálu nebo dílenského zpracování, kontaktujte přímo firmu VONROC.

Z této záruky jsou vyloučeny následující případy:

- Opravy nebo úpravy tohoto zařízení byly provedeny nebo byly provedeny pokusy o jejich provedení v neautorizovaných servisech;
- Běžné opotřebení;
- Toto zařízení bylo nesprávně použito, nevhodně použito nebo nebyla prováděna jeho správná údržba;
- Byly použity neoriginální náhradní díly.

Výše uvedené představuje jedinou záruku poskytovanou společností, ať už výslovnou nebo předpokládanou. Neexistují žádné další záruky, výslovné ani nebo předpokládané, které přesahují rámec zde uvedeného, včetně předpokládaných záruk prodejnosti a vhodnosti pro určitý účel. VONROC v žádném případě neodpovídá za jakékoliv náhodné nebo následné škody. Opravné prostředky prodejců se omezují výhradně na opravu nebo výměnu nevhovujících jednotek nebo dílů.

Na tomto výrobku a v tomto návodu mohou být prováděny změny. Technické údaje mohou být změněny bez předchozího upozornění.



DECLARATION OF CONFORMITY
BC501AC - BATTERY CHARGER 15A, WITH JUMP START FUNCTION

- (EN) We declare under our sole responsibility that this product is in conformity with directive 2011/65/EU of the European parliament and of the council of 8 June on the restriction of the use of certain hazardous substances in electrical and electronic equipment is in conformity and accordance with the following standards and regulations:
- (DE) Der Hersteller erklärt eigenverantwortlich, dass dieses Produkt der Richtlinie 2011/65/EU des Europäischen Parlaments und des Rates vom 8. Juni 2011 über die Einschränkung der Anwendung von bestimmten gefährlichen Stoffen in elektrischen und elektronischen Geräten entspricht. den folgenden Standards und Vorschriften entspricht:
- (NL) Wij verklaren onder onze volledige verantwoordelijkheid dat dit product voldoet aan de conform Richtlijn 2011/65/EU van het Europees Parlement en de Raad van 8 juni 2011 betreffende beperking van het gebruik van bepaalde gevaarlijke stoffen in elektrische en elektronische apparatuur en in overeenstemming is met de volgende standaarden en reguleringen:
- (FR) Nous déclarons sous notre seule responsabilité que ce produit est conforme aux standards et directives suivants: est conforme à la Directive 2011/65/EU du Parlement Européen et du Conseil du 8 juin 2011 concernant la limitation d'usage de certaines substances dangereuses dans l'équipement électrique et électronique.
- (ES) Declaramos bajo nuestra exclusiva responsabilidad que este producto cumple con las siguientes normas y estándares de funcionamiento: se encuentra conforme con la Directiva 2011/65/UE del Parlamento Europeo y del Consejo de 8 de junio de 2011 sobre la restricción del uso de determinadas sustancias peligrosas en los equipos eléctricos y electrónicos.
- (IT) Dichiariamo, sotto la nostra responsabilità, che questo prodotto è conforme alle normative e ai regolamenti seguenti: è conforme alla Direttiva 2011/65/UE del Parlamento Europeo e del Consiglio dell'8 giugno 2011 sulla limitazione dell'uso di determinate sostanze pericolose nelle apparecchiature elettriche ed elettroniche.
- (SV) Vi garanterar på eget ansvar att denna produkt uppfyller och följer följande standarder och bestämmelser: uppfyller direktiv 2011/65/EU från Europeiska parlamentet och EG-rådet från den 8 juni 2011 om begränsningen av användning av farliga substanser i elektrisk och elektronisk utrustning.
- (DA) Vi erklærer under eget ansvar, at dette produkt er i overensstemmelse med følgende standarder og bestemmelser: er i overensstemmelse med direktiv 2011/65/EU fra Europa-Parlamentet og Rådet af 8. juni 2011 om begrænsning af anvendelsen af visse farlige stoffer i elektrisk og elektronisk udstyr.
- (PL) Deklarujemy na własną odpowiedzialność, że ten produkt spełnia wymogi zawarte w następujących normach i przepisach: jest zgodny z Dyrektywą 2011/65/UE Parlamentu Europejskiego i Rady z dnia 8 czerwca 2011 r. w sprawie ograniczenia stosowania niektórych niebezpiecznych substancji w sprzęcie elektrycznym i elektronicznym.
- (RO) Declaram prin aceasta cu răspunderea deplină că produsul acesta este în conformitate cu următoarele standarde sau directive: este în conformitate cu Directiva 2011/65/UE a Parlamentului European și a Consiliului din 8 iunie 2011 cu privire la interzicerea utilizării anumitor substanțe periculoase la echipamentele electrice și electronice.
- (PT) Declaramos por nossa total responsabilidade-de que este produto está em conformidade e cumpre as normas e regulamentações que se seguem: está em conformidade com a Directiva 2011/65/EU do Parlamento Europeu e com o Conselho de 8 de Junho de 2011 no que respeita à restrição de utilização de determinadas substâncias perigosas existentes em equipamento eléctrico e electrónico.
- (HU) Felelősségünk teljes tudatában kijelentjük, hogy ez a termék teljes mértékben megfelel az alábbi szabványoknak és előírásoknak: je v souladu se směrnici 2011/65/EU Evropského parlamentu a Rady EU ze dne 8. června 2011, která se týká omezení použití určitých nebezpečných látek v elektrických a elektronických zařízeních.
- (CS) Na naši vlastní zodpovědnost prohlašujeme, že je tento výrobek v souladu s následujícími standardy a normami: Je v súlade s normou 2011/65/EÚ Európskeho parlamentu a Rady z 8. júna 2011 týkajúcej sa obmedzenia používania určitých nebezpečných látok v elektrickom a elektrickom vybavení.

2014/30/EU, 2014/35/EU, 2011/65/EU, 2012/19/EU, EN60335-1, EN60335-2-29, EN62233, EN50498, EN55014-1, EN61000-3-2, EN61000-3-3

Zwolle, 01-04-2022

H.G.F Rosberg
CEO

VONROC • Lingenstraat 6 • 8028 PM Zwolle • The Netherlands



VONROC®
BUILD YOUR FUTURE

©2022 VONROC
WWW.VONROC.COM

2204-26