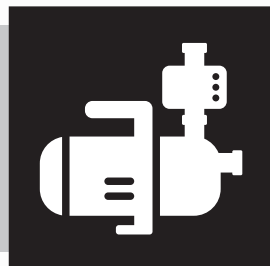




VONROC®

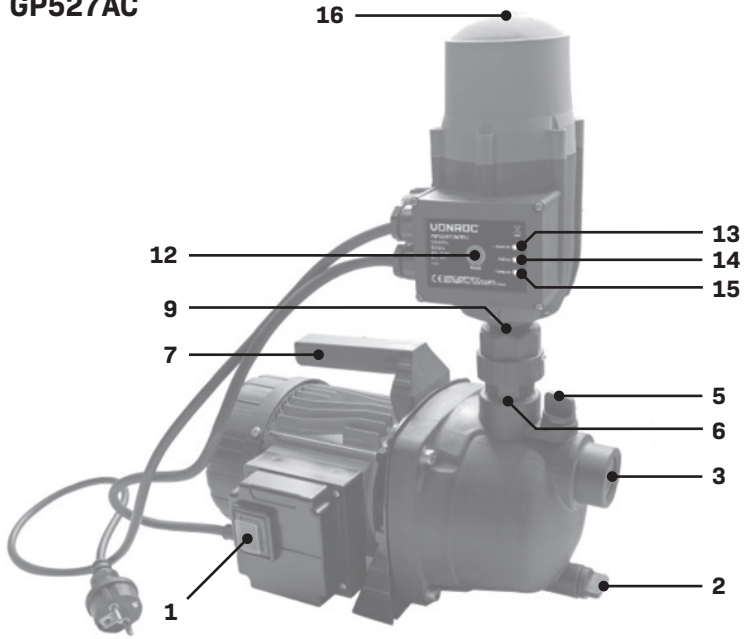
BUILD YOUR FUTURE

AUTOMATIC PUMP GP527AC / GP528AC

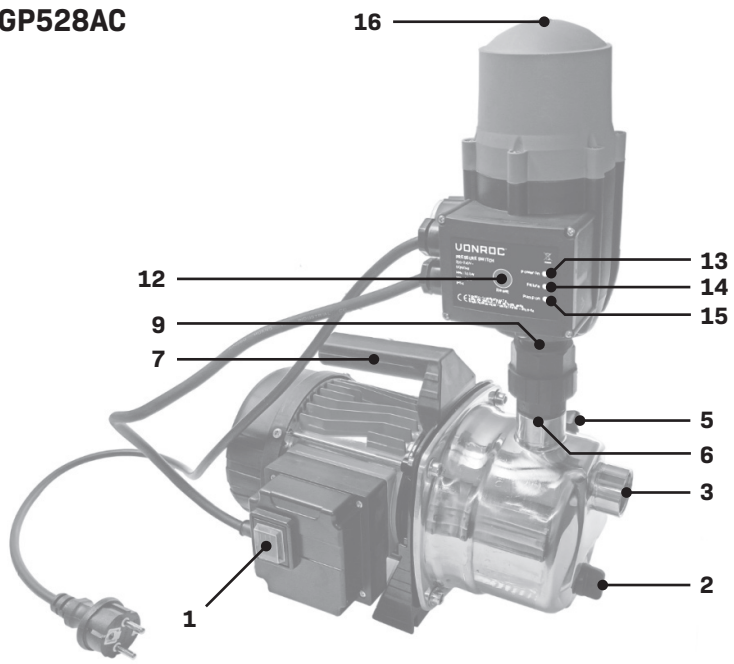


EN	Original Instructions	08
DE	Übersetzung Der Originalbetriebsanleitung	14
NL	Vertaling van de oorspronkelijke gebruiksaanwijzing	20
FR	Traduction de la notice originale	27
ES	Traducción del manual original	33
IT	Traduzione delle istruzioni originali	40
SV	Översättning av bruksanvisning i original	47
DA	Oversættelse af den originale brugsanvisning	53
PL	Tłumaczenie instrukcji oryginalnej	59
RO	Traducere a instrucțiunilor originale	65
PT	Tradução do manual original	71
HU	Az eredeti használati utasítás fordítása	78
CS	Překlad originálního návodu	84

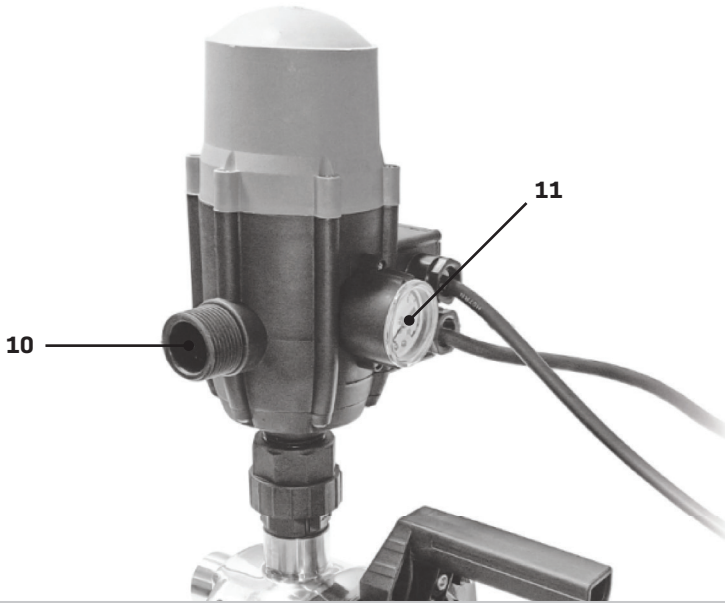
A1 GP527AC



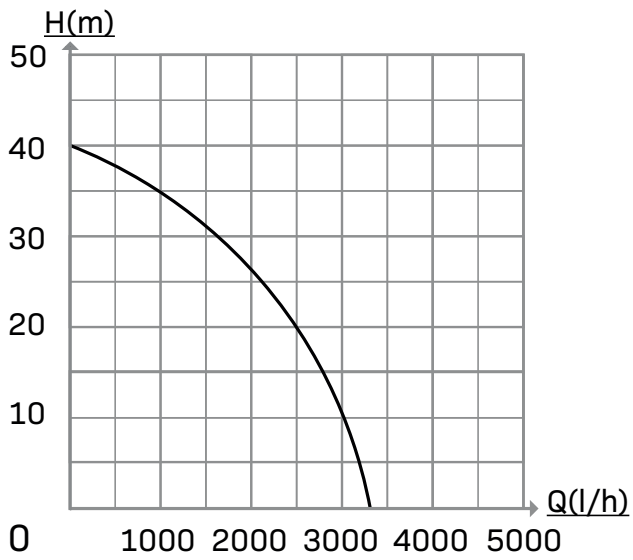
A2 GP528AC



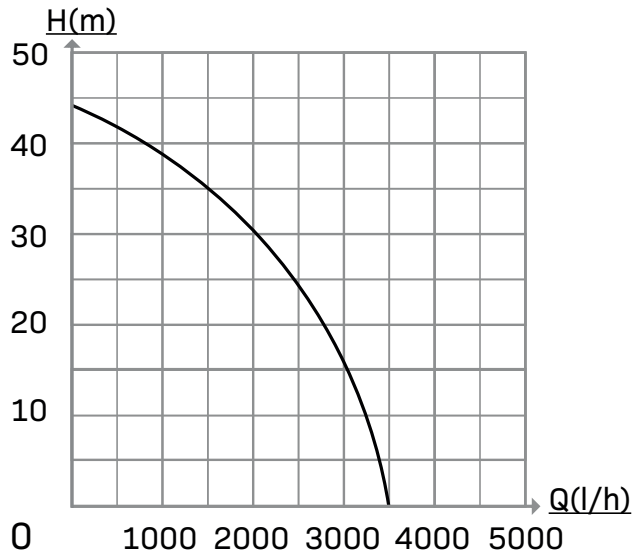
B



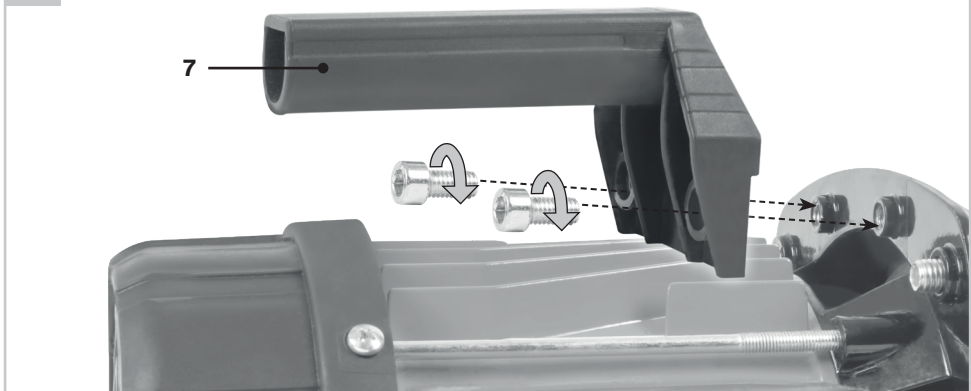
C1 GP527AC



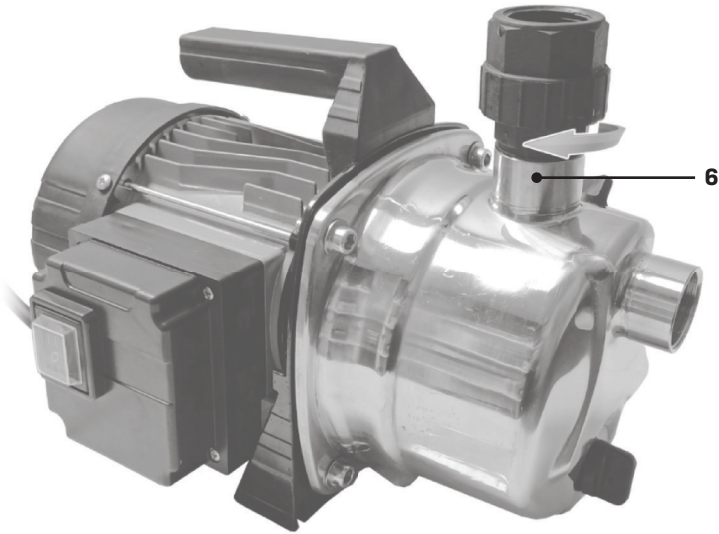
C2 GP528AC



D

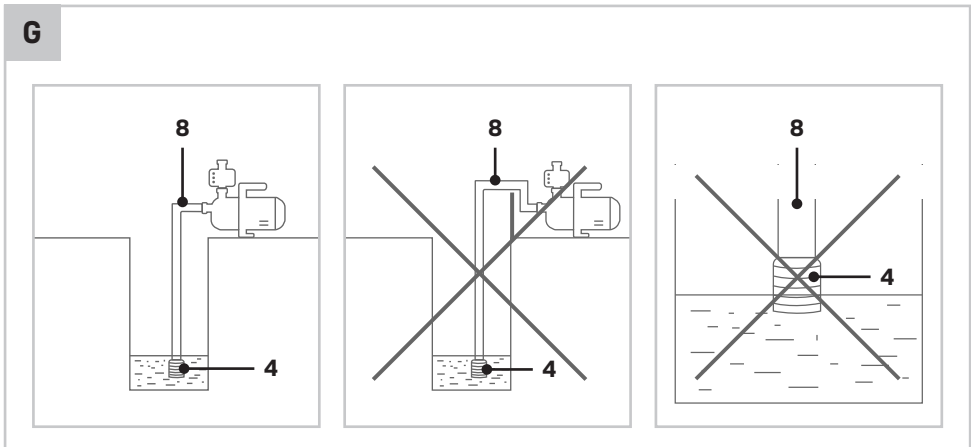
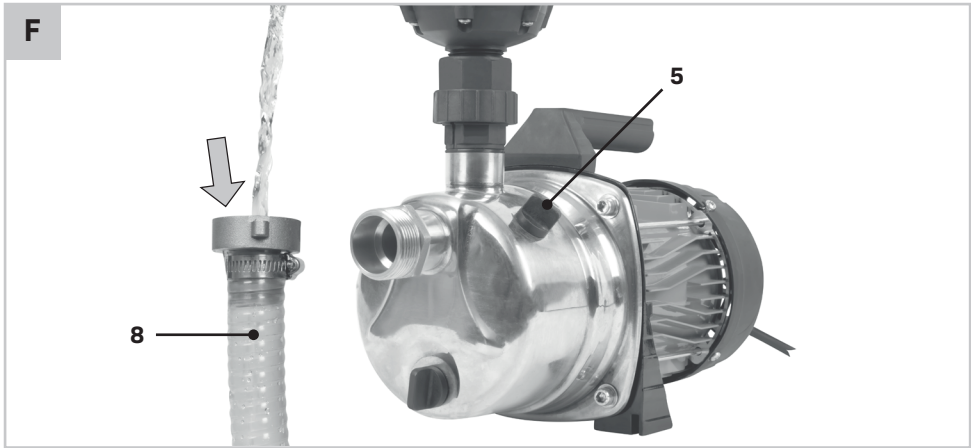


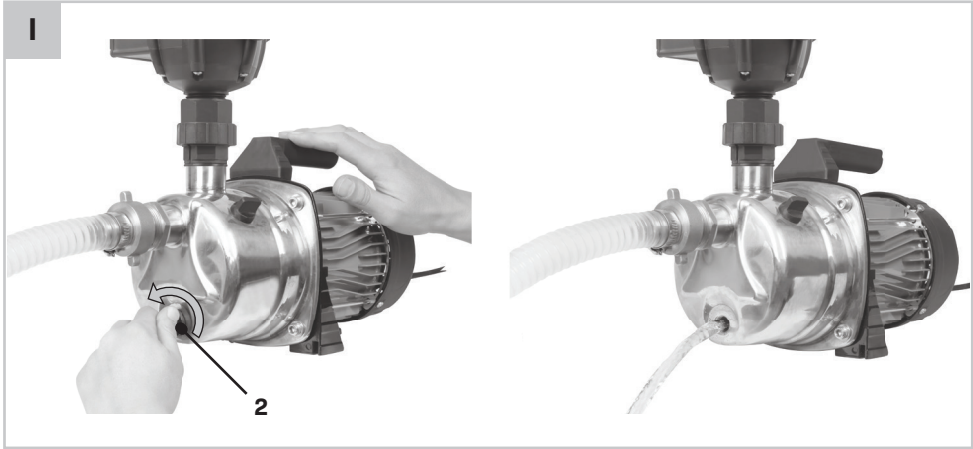
E1



E2







1. SAFETY INSTRUCTIONS

Read the enclosed safety warnings, the additional safety warnings and the instructions. Failure to follow the safety warnings and the instructions may result in electric shock, fire and/or serious injury. Save the safety warnings and the instructions for future reference.

The following symbols are used in the user manual or on the product:



Read the user manual.



Denotes risk of personal injury, loss of life or damage to the tool in case of nonobservance of the instructions in this manual.



Indicates electrical shock hazard.



Protect the appliance against frost.



Max depth.



GP527AC: The guaranteed sound power level LWA = 77 dB(A)



GP528AC: The guaranteed sound power level LWA = 81 dB(A)



Do not dispose of the product in unsuitable containers.



The product is in accordance with the applicable safety standards in the European directives.

SAFETY NOTES

THIS APPLIANCE CAN BE USED BY CHILDREN AGED FROM 8 YEARS AND ABOVE AND PERSONS WITH REDUCED PHYSICAL, SENSORY OR MENTAL CAPABILITIES OR LACK OF EXPERIENCE AND KNOWLEDGE IF THEY HAVE BEEN GIVEN SUPERVISION OR INSTRUCTION CONCERNING USE OF THE APPLIANCE IN A SAFE WAY AND UNDERSTAND THE HAZARDS INVOLVED. CHILDREN SHALL NOT PLAY WITH THE APPLIANCE. CLEANING AND USER MAINTENANCE SHALL NOT BE MADE BY CHILDREN WITHOUT SUPERVISION. IF THE SUPPLY CORD IS DAMAGED, IT MUST BE REPLACED BY THE MANUFACTURER, ITS SERVICE AGENT OR SIMILARLY QUALIFIED PERSON

IN ORDER TO AVOID A HAZARD. THE PLUG MUST BE REMOVED FROM THE SOCKETOUTLET BEFORE CLEANING OR MAINTAINING THE APPLIANCE.

Please read these instructions carefully and thoroughly before using this appliance and keep them for future reference. It is very important that you understand how to use this appliance safely so please take the time to familiarise yourself with the requirements as outlined in these instructions.

- If you are in any doubt what so ever about using this appliance, we strongly recommend that you employ the services of a suitably qualified person.
- Electrical connection must be protected by a residual current device (RCD) at the power socket with a nominal trip current of 30mA (max).
- Keep children and pets well away from the work area and never allow children to use this appliance or touch the extension cord at any time. When not in use, keep this appliance stored in a safe place out of reach of children.
- Never leave the appliance unattended when in use.
- Never pull the appliance by its power cord. Carry it using the carry handle.
- Do not allow the power cord to lay on or across sharp objects that might pierce the outer insulation. Carry out a visual inspection of the power cord before use and if it is damaged, have it replaced by a specialist service centre. Do not use the appliance if the cord is damaged.
- Keep the power cord away from heat, frost, oil, solvents or any sharp objects or edges.
- Electrical connections e.g. extension cable, must be protected from moisture at all times.
- Check that the power rating on your appliance corresponds with the power rating at you mains supply. The supply voltage must be 230VAC.
- Never run this appliance dry - out of the water. If the appliance overheats, the thermal cut-out will switch it off. If this happens wait 5 minutes before using the appliance again.
- Only switch the power back on with dry hands.
- Never use this appliance in a pond or swimming pool while people are present in the water!
- Do not use the pump for drinking water.
- Corrosive, flammable or explosive substances, grease, oil, salt water and sewage must not be conveyed by the pump.

- The pH of water must be between 6.5 and 8.5.
- The temperature of the liquid conveyed may not exceed 35 °C.

Electrical safety

When using electric machines always observe the safety regulations applicable in your country to reduce the risk of fire, electric shock and personal injury. Read the following safety instructions and also the enclosed safety instructions.



Always check that the power supply corresponds to the voltage on the rating plate.

Connecting to the power supply

Check that the power supply and plug used in accordance with your machine. Have a look at the rating plate on the machine. Any changes should always be carried out by a qualified electrician.



Warning! This machine must be earthed. If not properly earthed this machine can cause an electrical shock. Be sure that the power supply outlet is earthed. If there is any doubt, have it checked by a qualified electrician.



Warning! Avoid contact with the terminals on the plug when installing (removing) the plug to (from) the power supply outlet. Contact will cause a severe electrical shock.

Replacing cables or plugs

If the supply cord is damaged, it must be replaced by the manufacturer, its service agent or similarly qualified persons in order to avoid a hazard. Immediately throw away old cables or plugs when they have been replaced by new ones. It is dangerous to insert the plug of a loose cable in the wall outlet.

Using extension cables

Only use an approved extension cable suitable for the power input of the machine. The minimum conductor size is 1.5 mm². When using a cable reel always unwind the reel completely.

2. MACHINE INFORMATION

The automatic pump is intended for private use for household water supply and irrigation of gardens, it is not intended for commercial use. Explosive, corrosive, flammable substances, sewage, salt water, grease and oil must not be conveyed by the pump.

It is solely intended for pumping clear and rain water. The particle sizes of the solids in the water must not exceed the maximum particle size specified in the technical data.

This pump is not designed for continuous operation (e.g. as a swimming pool or pond circulation pump).

TECHNICAL SPECIFICATIONS

Model No.	GP527AC	GP528AC
Pump housing	Plastic	Stainless steel
Voltage	230 VAC / 50Hz	
Input power	800W	1000W
Max. flow rate (Fig. C)	3300l/h	3500l/h
Max. pressure	4 bar	4.4 bar
Max. pumping height (Fig. C)	40m	44m
Max. self-priming suction height	8m	
Max. particle size	1 mm (clean water)	
Switch-on pressure	1.5-2.5 bar	
Default switch-on pressure	1.5 bar	
Dry run protection	Yes	
Pressure gauge	Yes	
Backflow preventer (pressure switch)	Yes	
Max. water temperature	35°C	
Protection	IPX4	
Pressure connection (switch)	G1" external thread	
Suction connection	G1" internal thread	
Recommended inner hose diameter (suction hose)	25mm, 32mm, 38mm	
Cable length	1.2m	

Weight	6.86 kg	7.24 kg
Sound pressure level L_{PA}	62.6 dB(A) K = 2.22 dB(A)	66.2 dB(A) K = 2.66 dB(A)
Sound power level L_{WA}	74.5 dB(A) K = 2.22 dB(A)	78.1 dB(A) K = 2.66 dB(A)

DESCRIPTION

The numbers in the text refer to the diagrams on page 2-7.

1. ON/OFF switch
2. Drain plug
3. Water inlet (pump)
4. Foot valve / backflow preventer (not included)
5. Filling plug
6. Water outlet (pump)
7. Carry handle
8. Suction hose (not included)
9. Water inlet (pressure switch)
10. Water outlet (pressure switch)
11. Pressure gauge
12. Reset button
13. LED-power
14. LED-failure
15. LED-on
16. Pressure setting screw

3. ASSEMBLY



Before carrying out any work on the pump, disconnect the mains plug from the power supply.

Mounting the handle (Fig. D)

1. Put the handle (7) on the pump, as shown on figure D.
2. Mount the handle (7) by tightening the two screws.

Installing the pressure switch (Fig. E)

1. Screw the coupling into the pump outlet (6), as shown on figure E1.
2. Screw the water inlet (9) connection into the coupling, as shown on figure E2.

Installing the pump (Fig. G)

The pump should be installed in ventilated and dry environment. It could be installed outside, provided

having proper covering to prevent rain and wind. Make sure the pump is placed on the horizontal and stable ground. Always put up the garden pump at a point higher than the water surface, as shown on figure G.

Attaching the suction hose (Fig. A, F, G)



Don't use any hose connection system fittings or standard water hoses on the suction side! A suction hose (8) set with suitable coupling (G1" external thread) and foot valve (4) must be used. The foot valve (4) prevents the return flow of the water at the end of the pumping process.



25mm, 32mm or 38mm (inner diameter) suction hose (8) must be used to achieve maximum flow rate.



The suction hose (8) should be as short as possible.

1. Remove the protection cap from the water inlet connection.
2. Fill suction hose (8) with clean tap water, as shown on figure F.
2. Apply thread seal tape (Teflon tape) to the threaded suction hose coupling.
3. Screw the suction hose coupling airtight into the water inlet (3).
4. The foot valve (4) must be placed vertically and at least 30 cm from the water bottom to prevent the suction of sand and stones, as shown on figure G.

Attaching the outlet hose (Fig. B)



The larger the hose and hose connector diameter, the greater the flow.



The lower the delivery height, the greater the flow.

1. Decide which hose diameter and hose connection system fittings you are going to use.
2. Apply thread seal tape (Teflon tape) to the water outlet (10) connection.
3. Screw the coupling (not included) on the water outlet (10).
4. Connect the hose (not included) to the coupling.
5. Check that the hose has no kinks in it.

Filling the pump with water (Fig. A, H)

1. Unscrew and remove the filling plug (5).
2. Fill the pump with clean tap water, as shown on figure H. Do not overfill the pump.
3. Place the filling plug (5) back, do not overtighten.

4. OPERATION



Never use this pump in a pond or swimming pool while people are present in the water!



Only switch the power on or off with dry hands.



Never run this pump before the pump and the suction hose (8) is filled with water.



Clean the foot valve (not included) and pre-filter (not included) at regular intervals, and check it for damage. Otherwise, its function can be impaired.

Switching on/off (Fig. A)

1. Check that the ON/OFF switch (1) of the pump is in the '0' position before connecting the pressure switch to the power supply.
2. Move the ON/OFF switch (1) of the pump into the position 'I' to switch the pump on.
3. With the pressure switch you can automatically control the operation of a garden pump. Open the connected tap or spray gun to start the pump. When you start the pump, there will be a lot of air in the water first. This is not a defect of your pump, but serves to remove air from the pump. It may take several minutes for the air to escape when the pump is used for the first time.
4. When you close the connected tap or the spray gun, the pump automatically stops pumping.
5. Move the ON/OFF switch (1) of the pump into the position '0' to switch the pump off.

The pressure switch has 3 LED indicators (13, 14, 15) which indicate the status of the pressure switch:

LED indicators	Operating status
LED-power (13)	The pressure switch is connected to the power supply. The pressure switch is ready for use.
LED-failure (14)	The pump is running dry without water. The dry-run safety is activated. Use the pump's operating manual to find the cause of the failure and correct it. Then restart the pump by pressing the reset button (12) on the pressure switch.
LED-on (15)	The pump is operating.

Reading the pressure (Fig. B)

The pipe pressure can be read on the pressure gauge (11). The black scale indicates the pressure in bar.

Setting the switch-on pressure (Fig. A, B)

The default switch-on pressure is 1.5 bar. The switch-on pressure can be adjusted to a value between 1.5 bar to 2.5 bar.

It is possible to set the switch-on pressure by using the pressure setting screw (16). Every 360° turn decreases or increases the switch-on pressure for approx. 0.2 bar.

- By turning clockwise, the pressure will be increased.
- By turning anti-clockwise, the pressure will be decreased.

Finish operation (Fig. A, I)



Do not touch the pump unless its power has been cut off for at least 5 minutes.



When there is the risk of frost or if you do not use your pump for a long time, please properly store your pump.

1. Check that the ON/OFF switch (1) is in the '0' position.
2. Remove the mains plug from the mains.
3. Unscrew and remove the drain plug (2). Let the water drain.
4. Pull up the suction hose (be aware, it is full of water).
5. Unscrew the suction hose (8) from the water inlet (3).

6. Remove the filter and foot valve (4), then rinse with clear water. Make sure that there is no water left in the suction hose (8).
7. Remove the water hose from the water outlet (10). Unscrew the coupling from the water outlet (10).
8. Place the drain plug (2) back, do not overtighten.
9. Clean and store the device (see 'Maintenance')

5. MAINTENANCE



Before cleaning and maintenance, always switch off the machine and remove the mains plug from the mains.

Clean the machine casings regularly with a soft cloth, preferably after each use. Remove very persistent dirt using a soft cloth moistened with soap-suds. Do not use any solvents such as gasoline, alcohol, ammonia, etc. Chemicals such as these will damage the synthetic components.

If the appliance appears to be blocked, switch off the power at the mains, remove the plug from the socket and check the appliance for blockages. Clean suction hose, foot valve, pre-filter and pump.

STORAGE AND FROST POTECTION

The garden pump and accessories that are not completely drained can be destroyed by frost. Completely drain the garden pump and accessories and protect them against frost. Keep this appliance in well-ventilated dry premises with temperature not going below +5°C. When not in use, keep this appliance stored in a safe place out of reach of children.

TROUBLE SHOOTING GUIDE

Problem	Cause	Remedy
Pump does not start	No mains supply	Check mains supply
	Pump not switched on	Switch on pump
	LED-failure is on	Press the reset button
	Not enough pump pressure	Check that the pump pressure is 0.8bar higher than the starting pressure of the switch.
Pump is active but no water is being delivered (after being started for more than 5 minutes)	The switch-on pressure is set too low	By turning the pressure setting screw clockwise, the switch-on pressure will be increased.
	The dry-run safety is activated, because the the switch-on pressure is set too high	By turning the pressure setting screw anti-clockwise, the switch-on pressure will be reduced.
Pump is active but no water is being delivered (after being started for more than 5 minutes)	The pump is not fully filled with water	Re-fill the pump with water and check the suction hose foot valve
	Air in the suction hose	Check sealing of various joints of the suction hose
	Water level is too low	Adjust installation height of the pump (< 8 m)
Pump does not stop or start and stop constantly	Suction hose, foot valve, pre-filter or pump is blocked	Clean suction hose, foot valve, pre-filter or pump
	The switch-on pressure is set too high	By turning the pressure setting screw anti-clockwise, the switch-on pressure will be reduced.

Insufficient pressure	Incorrect pump type	Select suitable pump type
	The suction hose is too long or with too many bends, suction hose diameter is not selected as required	25mm, 32mm or 38mm (inner diameter) suction hose must be used to achieve maximum flow rate. Make the suction hose shorter
	Suction hose, foot valve, pre-filter or pump is blocked	Clean suction hose, foot valve, pre-filter or pump
	The outlet hose is incorrectly or incorrectly installed	Check the outlet hose and connections. The larger the diameter of the hose and the hose connection, the greater the flow. The lower the delivery height, the greater the flow.
Pump will not start or stops during use.	Thermal overload safety switch has activated	Disconnect from the power supply, leave for 5 minutes and clean suction hose, foot valve, pre-filter or pump
Pump switched off after short operating periods	Power has tripped	Check fuses and electrical connections
	Water too hot	Ensure that the water temperature has not exceeded the maximum of 35°C

ENVIRONMENT



Faulty and/or discarded electrical or electronic apparatus have to be collected at the appropriate recycling locations.

Only for EC countries

Do not dispose of power tools into domestic waste. According to the European Guideline 2012/19/EU for Waste Electrical and Electronic Equipment and its implementation into national right, power tools that are no longer usable must be collected separately and disposed of in an environmentally friendly way.

WARRANTY

VONROC products are developed to the highest quality standards and are guaranteed free of defects in both materials and workmanship for the period lawfully stipulated starting from the date of original purchase. Should the product develop any failure during this period due to defective material and/or workmanship then contact VONROC directly.

The following circumstances are excluded from this guarantee:

- Repairs and or alterations have been made or attempted to the machine by unauthorized service centers;
- Normal wear and tear;
- The tool has been abused, misused or improperly maintained;
- Non-original spare parts have been used.

This constitutes the sole warranty made by company either expressed or implied. There are no other warranties expressed or implied which extend beyond the face hereof, herein, including the implied warranties of merchantability and fitness for a particular purpose. In no event shall VONROC be liable for any incidental or consequential damages. The dealers remedies shall be limited to repair or replacement of nonconforming units or parts.

The product and the user manual are subject to change. Specifications can be changed without further notice.

1. SICHERHEITSANWEISUNGEN

Lesen Sie die beigefügten Sicherheitswarnungen, die zusätzlichen Sicherheitswarnungen und die Anweisungen. Die Nichteinhaltung der Sicherheitswarnungen und der Anweisungen kann in einem Stromschlag, Brand und/oder in schweren Verletzungen resultieren. Bewahren Sie die Sicherheitswarnungen und Anweisungen für künftige Referenzzwecke auf.

Die folgenden Symbole werden im Benutzerhandbuch oder auf dem Produkt verwendet:



Lesen Sie das Benutzerhandbuch.



Lebens- und Verletzungsgefahr und Gefahr von Beschädigungen am Werkzeug/ Gerät bei Nichteinhaltung der Anweisungen in dieser Bedienungsanleitung.



Deutet das Vorhandensein elektrischer Spannung an.



Gerät vor Frost schützen.



Max. Tiefe.



*GP527AC: Garantierter Schallleistungspegel
LWA = 77 dB(A)*



*GP528AC: Garantierter Schallleistungspegel
LWA = 81 dB(A)*



Entsorgen Sie das Produkt nicht in hierfür nicht vorgesehenen Abfallbehältern.



Das Produkt entspricht den geltenden Sicherheitsnormen der europäischen Richtlinien.

SICHERHEITSHINWEISE

DIESES GERÄT KANN VON KINDERN AB 8 JAHREN UND DARÜBER SOWIE VON PERSONEN MIT VERRINGERTEN PHYSISCHEN, SENSORISCHEN ODER MENTALEN FÄHIGKEITEN ODER MANGEL AN ERFAHRUNG UND WISSEN BENUTZT WERDEN, WENN SIE BEAUFSICHTIGT ODER BEZÜGLICH DES SICHEREN GEBRAUCHS DES GERÄTES UNTERWIESEN WURDEN UND DIE DARAUS RESULTIERENDEN GEFAHREN VERSTEHEN. KINDER DÜRFEN NICHT MIT DEM GERÄT

SPIELEN. REINIGUNG UND BENUTZER-WARTUNG DÜRFEN NICHT VON KINDERN OHNE BEAUFSICHTIGUNG DURCHGEFÜHRT WERDEN. BESCHÄDIGTE NETZKABEL MÜSSEN DURCH DEN HERSTELLER, DESSEN KUNDENDIENST ODER ÄHNLICH QUALIFIZIERTE FACHLEUTE AUSGETAUSCHT WERDEN, UM GEFAHRSITUATIONEN ZU VERMEIDEN. DER STECKER MUSS VOR DER REINIGUNG ODER WARTUNG DES GERÄTS AUS DER STECKDOSE GEZOGEN WERDEN.

Bitte lesen Sie diese Anleitung vor dem Gebrauch des Geräts sorgfältig und gründlich durch und bewahren Sie sie zum späteren Nachschlagen auf. Es ist sehr wichtig, dass Sie genau verstehen, wie Sie dieses Gerät sicher verwenden können. Nehmen Sie sich daher bitte die Zeit, sich mit den Anforderungen in dieser Anleitung vertraut zu machen.

- Wenn Sie Zweifel haben, wie Sie dieses Gerät richtig verwenden, empfehlen wir Ihnen dringend, die Dienste einer entsprechend qualifizierten Person in Anspruch zu nehmen.
- Der elektrische Anschluss muss durch eine Fehlerstromschutzeinrichtung (RCD) an der Steckdose mit einem Nennauslösestrom von maximal 30 mA geschützt werden.
- Halten Sie Kinder und Haustiere vom Arbeitsbereich des Geräts fern und erlauben Sie Kindern niemals, es zu benutzen oder das Verlängerungskabel zu berühren. Das Gerät an einem sicheren Ort außerhalb der Reichweite von Kindern lagern, wenn es nicht in Gebrauch ist.
- Lassen Sie das Gerät nie unbeaufsichtigt, während es läuft.
- Ziehen Sie das Gerät niemals am Stromkabel. Transportieren Sie es nur am Tragegriff.
- Das Stromkabel nicht auf oder über spitze Objekte legen, welche die Außenisolierung durchbohren könnten. Eine Sichtprüfung des Stromkabels durchführen, und wenn das Kabel beschädigt ist, von einem speziellen Servicezentrum austauschen lassen. Das Gerät nicht verwenden, wenn das Kabel beschädigt ist.
- Halten Sie das Stromkabel von Hitze, Frost, Öl, Lösungsmitteln und scharfen Gegenständen oder Kanten fern.
- Elektrische Verbindungen, z.B. Verlängerungskabel, müssen jederzeit vor Feuchtigkeit geschützt werden.
- Überprüfen Sie, ob die Nennleistung des Geräts mit der Nennleistung Ihres Stromnetzes

übereinstimmt. Die Versorgungsspannung muss 230VAC betragen.

- Lassen Sie dieses Gerät niemals trocken - also außerhalb des Wassers - laufen. Wenn sich das Gerät überhitzt, schaltet der Thermoschutzschalter das Gerät ab. Warten Sie in dem Fall 5 Minuten, bevor Sie das Gerät wieder verwenden.
- Schalten Sie den Strom nur mit trockenen Händen wieder ein.
- Benutzen Sie dieses Gerät niemals in einem Teich oder Schwimmbad, solange sich Personen im Wasser aufhalten!
- Verwenden Sie die Pumpe nicht für Trinkwasser.
- Ätzende, entflammbare oder explosive Stoffe, Fett, Öl, Salzwasser und Abwasser dürfen von der Pumpe nicht gefördert werden.
- Der pH-Wert des Wassers muss zwischen 6,5 und 8,5 liegen.
- Die Temperatur der geförderten Flüssigkeit darf 35 °C nicht überschreiten.

Sicherheit bei Elektrizität

Beachten Sie bei der Arbeit mit elektrischen Werkzeugen/Geräten stets die in Ihrem Land geltenden Sicherheitsvorschriften, um Personenschäden, Stromschläge und Brände zu vermeiden. Lesen Sie die folgenden Sicherheitshinweise sowie die beiliegenden Sicherheitshinweise sorgfältig durch.



Stellen Sie immer sicher, dass die Spannung der Stromversorgung der Nennspannung auf dem Typenschild des Werkzeugs/Geräts entspricht.

Anschluss an die Stromversorgung

Überprüfen Sie, ob die Werte auf dem Netzteil und dem verwendeten Stecker mit denen Ihres Geräts übereinstimmen. Beachten Sie das Typenschild an der Maschine. Änderungen dürfen nur von einem qualifizierten Elektriker durchgeführt werden.



Warnung! Dieses Gerät muss geerdet werden. Wenn dieses Gerät nicht ordnungsgemäß geerdet ist, kann es einen Stromschlag verursachen. Stellen Sie sicher, dass die Netzsteckdose geerdet ist. Lassen Sie diese Punkte im Zweifelsfall von einem qualifizierten Elektriker überprüfen.



Warnung! Vermeiden Sie beim Einstecken (bzw. Herausziehen) des Steckers in die (bzw. aus der) Steckdose den Kontakt mit den Anschlüssen des Steckers. Ein Kontakt verursacht einen schweren Stromschlag.

Austauschen von Kabeln oder Steckern

Wenn die Anschlussleitung beschädigt wird, muss sie durch eine besondere Anschlussleitung ersetzt werden, die vom Hersteller oder seinem Kundendienst erhaltlich ist. Entsorgen Sie alte Kabeln oder Stecker, unmittelbar nachdem Sie durch neue ersetzt sind. Das Anschließen eines Steckers eines losen Kabels an eine Steckdose ist gefährlich.

Verwendung von Verlängerungskabeln

Benutzen Sie nur ein genehmigtes Verlängerungskabel, das der Maschinenleistung entspricht. Die Ader müssen einen Mindestquerschnitt von 1,5 mm² haben. Befindet das Kabel sich auf einem Haspel muß es völlig abgerollt werden.

2. ANGABEN ZUM WERKZEUG

Die Automatikpumpe ist zur Bewässerung privater Gärten über das Leitungswassersystem vorgesehen, sie ist nicht zur gewerblichen Verwendung bestimmt. Explosive, korrosive, brennbare Stoffe, Abwasser, Salzwasser, Fette und Öle dürfen von der Pumpe nicht gefördert werden.

Sie ist nur zum Pumpen von klarem Wasser und Regenwasser bestimmt. Die Partikelgrößen der Feststoffe im Wasser dürfen die in den technischen Daten angegebene maximale Partikelgröße nicht überschreiten.

Diese Pumpe ist nicht für den Dauerbetrieb (z.B. als Schwimmbad- oder Teichumwälzpumpe) ausgelegt.

TECHNISCHE DATEN

Modellnr.	GP527AC	GP528AC
Pumpengehäuse	Kunststoff	Rostfreier Stahl
Spannung	230 VAC / 50Hz	
Aufnahmeleistung	800 W	1000 W
Max. Durchsatz (Abb. C)	3300l/h	3500l/h
Maximaldruck	4 bar	4,4 bar
Max. Förderhöhe (Abb. C)	40 m	44 m
Max. selbstansaugende Saughöhe	8 m	
Max. Partikelgröße	1 mm (sauberes Wasser)	
Einschaltdruck	1,5 bis 2,5 bar	
Standardeinschaltdruck	1,5 bar	
Trockenlaufschutz	Ja	
Druckanzeige	Ja	
Rückflussverhinderer (Druckschalter)	Ja	
Max. Wassertemperatur	35°C	
Schutz	IPX4	
Druckanschluss (schalter)	G1" Innengewinde	
Sauganschluss	G1" Innengewinde	
Empfohlener Innendurchmesser des Schlauchs (Saugschlauch)	25mm, 32mm, 38mm	
Kabellänge	1,2 m	
Gewicht	6,86 kg	7,24 kg
Schalldruckpegel L_{PA}	62,6 dB(A) K = 2,22 dB(A)	66,2 dB(A) K = 2,66 dB(A)
Schalleistungspegel L_{WA}	74,5 dB(A) K = 2,22 dB(A)	78,1 dB(A) K = 2,66 dB(A)

BESCHREIBUNG

Die Zahlen im Text beziehen sich auf die Abbildungen auf den Seiten 2-7.

1. Ein-/Ausschalter
2. Ablaufstopfen
3. Wasserzulauf (Pumpe)
4. Fußventil / Rückflussverhinderer (nicht enthalten)
5. Füllstopfen

6. Wasserablauf (Pumpe)
7. Tragegriff
8. Saugschlauch (nicht enthalten)
9. Wasserzulauf (Druckschalter)
10. Wasserablauf (Druckschalter)
11. Druckanzeige
12. Reset-Taste
13. LED-Leistung
14. LED-Ausfall
15. LED-ein
16. Druckregelschraube

3. MONTAGE

Ziehen Sie vor allen Arbeiten an der Pumpe den Netzstecker aus der Steckdose.

Montage des Griffs (Abb. D)

1. Bringen Sie den Griff (7) wie in Abbildung D dargestellt an der Pumpe an.
2. Montieren Sie den Griff (7), indem Sie die beiden Schrauben festziehen.

Installieren des Druckschalters (Abb. E)

1. Schrauben Sie die Kupplung in den Pumpenauslass (6), siehe Abbildung E1.
2. Schrauben Sie den Anschluss für den Wasserzulauf (9) in die Kupplung, siehe Abbildung E2.

Installieren der Pumpe (Abb. G)

Die Pumpe sollte in einer belüfteten und trockenen Umgebung installiert werden. Sie kann im Freien installiert werden, sofern eine geeignete Abdeckung zum Schutz vor Regen und Wind vorhanden ist. Die Pumpe muss auf einer waagerechten und stabilen Fläche aufgestellt werden. Stellen Sie die Gartenpumpe immer an einem Platz auf, der höher liegt als die Wasseroberfläche, siehe Abbildung G.

Anbringen des Saugschlauchs (Abb. A, F, G)

Bringen Sie an der Saugseite keine Verbindungsstücke für Schlauchanschlussysteme oder Standardwasserschläuche an! Es muss ein Saugschlauchset (8) mit passendem Kupplungsstück (G1" Außengewinde) und Fußventil (4) verwendet werden. Das Fußventil (4) verhindert das Zurückfließen des Wassers am Ende des Pumpvorgangs.



Ein Saugschlauch mit 25mm, 32mm oder 38mm Innendurchmesser (8) sollte verwendet werden, um die maximale Durchflussrate zu erreichen.



Der Saugschlauch (8) sollte möglichst kurz sein.

1. Nehmen Sie die Schutzkappe vom Wasserzulaufanschluss ab.
2. Füllen Sie den Saugschlauch (8) mit sauberem Leitungswasser, siehe Abbildung F.
3. Bringen Sie am Gewindeteil der Saugschlauchkupplung Dichtungsband (Teflon-Band) an.
4. Schrauben Sie die Saugschlauchkupplung luftdicht in den Wasserzulauf (3).
5. Das Fußventil (4) muss in senkrechter Stellung und mindestens 30 cm vom Grund des Wassers entfernt platziert werden, damit weder Sand noch Steine angesaugt werden können, siehe Abbildung G.

Anbringen des Ablaufschlauchs (Abb. B)



Je größer der Durchmesser des Schlauchs und des Schlauchanschlusses, desto größer der Durchfluss.



Je niedriger die Förderhöhe, desto größer der Durchfluss.

1. Entscheiden Sie, welchen Schlauchdurchmesser und welche Verbindungsstücke für den Schlauchanschluss Sie verwenden wollen.
2. Bringen Sie am Anschluss für den Wasserablauf (10) Gewindedichtungsband (Teflon-Band) an.
3. Schrauben Sie die Kupplung (nicht enthalten) an den Wasserablauf (10).
4. Verbinden Sie den Schlauch (nicht enthalten) mit der Kupplung.
5. Überprüfen Sie, dass der Schlauch nicht geknickt ist.

Füllen der Pumpe mit Wasser (Abb. A, H)

1. Den Füllstopfen (5) abschrauben und beiseitelegen.
2. Pumpe mit sauberem Leitungswasser füllen, siehe Abbildung H. Dabei die Pumpe nicht überfüllen.
3. Den Füllstopfen (5) wieder anbringen, dabei nicht zu fest anziehen.

4. BETRIEB



Benutzen Sie diese Pumpe niemals in einem Teich oder Schwimmbad, solange sich Personen im Wasser aufhalten!



Schalten Sie den Strom nur mit trockenen Händen ein oder aus.



Betreiben Sie diese Pumpe keinesfalls, bevor die Pumpe selbst und der Saugschlauch (8) mit Wasser gefüllt sind.



Reinigen Sie das Fußventil (nicht enthalten) und den Vorfilter (nicht enthalten) regelmäßig und überprüfen Sie es auf Beschädigungen. Andernfalls kann die Funktion beeinträchtigt werden.

Ein-/Ausschalten (Abb. A)

1. Stellen Sie sicher, dass der Ein-/Ausschalter (1) in der Stellung '0' steht, bevor Sie die Pumpe mit der Steckdose verbinden.
2. Stellen Sie den Ein-/Ausschalter (1) in die Position 'I', um die Pumpe einzuschalten.
3. Mit Hilfe des Druckschalters lässt sich der Betrieb einer Gartenpumpe automatisch regeln. Öffnen Sie den angeschlossenen Wasserhahn oder die Sprühpistole, um die Pumpe zu starten. Beim Starten der Pumpe ist zuerst noch viel Luft im Wasser enthalten. Dies ist kein Defekt der Pumpe, sondern es dient dazu, Luft aus der Pumpe zu entfernen. Wenn die Pumpe zum ersten Mal verwendet wird, kann es einige Minuten dauern, bis die Luft vollständig entweicht.
4. Wenn der angeschlossene Wasserhahn geschlossen oder der Sprühpistolenauslöser losgelassen wird, beendet die Pumpe den Pumpvorgang automatisch.
5. Stellen Sie den Ein-/Ausschalter der Pumpe in die Position '0', um die Pumpe auszuschalten.

Der Druckschalter besitzt 3 LED-Anzeigen (13,14,15), die seinen Betriebsstatus angeben:

LED-Anzeigen	Betriebsstatus
LED-Leistung (13)	Der Druckschalter ist mit der Stromversorgung verbunden. Der Druckschalter ist einsatzbereit.
LED-Ausfall (14)	Die Pumpe läuft trocken, also ohne Wasser. Der Trockenlaufschutz ist aktiviert. Suchen Sie mit Hilfe des Betriebshandbuchs der Pumpe nach der Fehlerursache und beheben Sie sie. Starten Sie die Pumpe dann neu, indem Sie die Reset-Taste (12) am Druckschalter drücken.
LED-ein (15)	Die Pumpe läuft.

Ablesen der Druckwerte (Abb. B)

Der Leitungsdruck kann an der Druckanzeige (11) abgelesen werden. Die schwarze Skala zeigt den Druck in bar an.

Einstellen des Einschaltdrucks (Fig. A,B)

Der Standardeinschaltdruck beträgt 1,5 bar. Der Einschaltdruck kann auf einen Wert zwischen 1,5 bar und 2,5 bar eingestellt werden.

Der Einschaltdruck kann mit Hilfe der Druckregelschraube (16) eingestellt werden. Jede vollständige Drehung (360°) verringert oder erhöht den Einschaltdruck um etwa 0,2 bar.

- Durch Drehen im Uhrzeigersinn erhöht sich der Druck.
- Durch Drehen im Uhrzeigersinn verringert sich der Druck.

Abschluss der Verwendung (Abb. A, I)



Berühren Sie die Pumpe erst, wenn sie mindestens 5 Minuten vom Strom getrennt war.



Bei Frostgefahr oder wenn die Pumpe längere Zeit nicht verwendet wird, muss sie sachgerecht gelagert werden.

1. Überprüfen, dass der Ein-/Ausschalter (1) in der Position '0' steht.
2. Den Stecker aus der Steckdose ziehen.
3. Den Ablaufstopfen (2) abschrauben und beiseitelegen. Das Wasser ablaufen lassen.
4. Den Saugschlauch nach oben ziehen (Achtung:

er ist voller Wasser).

5. Den Saugschlauch (8) vom Wasserzulauf (3) abschrauben.
6. Filter und Fußventil (4) abnehmen, dann mit klarem Wasser ausspülen. Sicherstellen, dass kein Wasser mehr im Saugschlauch (8) vorhanden ist.
7. Den Wasserschlauch vom Wasserablauf (10) abnehmen. Die Kupplung vom Wasserablauf (10) abschrauben.
8. Den Ablaufstopfen (2) wieder anbringen, dabei nicht zu fest anziehen.
9. Das Gerät säubern und lagern (siehe Kapitel 'Wartung')

5. WARTUNG



Vor dem Beginn von Reinigungs- und Wartungsarbeiten immer erst die Maschine ausschalten und den Stecker aus der Steckdose ziehen.

Die Maschinengehäuse regelmäßig mit einem weichen Tuch reinigen, vorzugsweise nach jedem Gebrauch. Sehr hartnäckigen Schmutz mit einem mit Seifenlauge befeuchteten Tuch entfernen. Keine Lösungsmittel, wie Benzin, Alkohol, Ammoniak usw., da solche Chemikalien die synthetischen Komponenten beschädigen können.

Wenn das Gerät blockiert zu sein scheint, schalten Sie den Strom an der Netzsteckdose ab, ziehen den Stecker aus der Steckdose und überprüfen das Gerät auf Blockaden. Reinigen Sie Saugschlauch, Fußventil, Vorfilter und Pumpe.

LAGERUNG UND FROSTSCHUTZ

Wenn Flüssigkeiten nicht vollständig aus der Tauchpumpe und dem Zubehör abgelassen werden, kann die Gartenpumpe durch Frost zerstört werden. Entleeren Sie Gartenpumpe und Zubehör daher vollständig und schützen Sie sie vor Frost. Bewahren Sie das Gerät an einem gut belüfteten, trockenen Ort auf, an dem die Temperatur nicht unter +5°C fällt.

Das Gerät an einem sicheren Ort außerhalb der Reichweite von Kindern lagern, wenn es nicht in Gebrauch ist.

ANLEITUNG ZUR FEHLERBEHEBUNG

Problem	Ursache	Behebung
Pumpe startet nicht	Keine Stromversorgung	Stromversorgung überprüfen
	Pumpe nicht eingeschaltet	Pumpe einschalten
	LED-Ausfall aktiv	Reset-Taste drücken
	Nicht genug Pumpendruck	Achten Sie darauf, dass der Pumpendruck um 0,8 bar höher ist als der Anfangsdruck des Schalters
Der Einschaltdruck ist zu niedrig eingestellt	Der Einschaltdruck ist zu niedrig eingestellt	Durch Drehen der Druckregelschraube im Uhrzeigersinn erhöht sich der Einschaltdruck
	Der Trockenlaufschutz wurde aktiviert, weil der Einschaltdruck zu hoch eingestellt wurde	Durch Drehen der Druckregelschraube gegen den Uhrzeigersinn verringert sich der Einschaltdruck
Die Pumpe läuft, fördert aber kein Wasser (nachdem sie vor mehr als 5 Minuten eingeschaltet wurde)	Die Pumpe ist nicht vollständig mit Wasser gefüllt	Pumpe wieder mit Wasser füllen und Fußventil des Saugschlauchs überprüfen
	Luft im Saugschlauch	Dichtungen der verschiedenen Anschlussstellen des Saugschlauchs überprüfen
	Wasserstand zu niedrig	Installationshöhe der Pumpe anpassen (< 8 m)
Pumpe schaltet sich ständig ein und wieder aus	Saugschlauch, Fußventil, Vorfilter oder Pumpe ist blockiert	Saugschlauch, Fußventil, Vorfilter bzw. Pumpe reinigen
	Der Einschaltdruck ist zu hoch eingestellt	Durch Drehen der Druckregelschraube gegen den Uhrzeigersinn verringert sich der Einschaltdruck

Unzureichender Druck	Falscher Pumpentyp	Geeignete Pumpe auswählen
	Der Saugschlauch ist zu lang oder hat zu viele Biegungen; es wurde nicht der richtige Durchmesser des Saugschlauchs gewählt	Ein Saugschlauch mit 25mm, 32mm oder 38mm Innendurchmesser sollte verwendet werden, um die maximale Durchflussrate zu erreichen. Saugschlauch kürzen
	Saugschlauch, Fußventil, Vorfilter oder Pumpe ist blockiert	Saugschlauch, Fußventil, Vorfilter bzw. Pumpe reinigen
Die Pumpe startet oder stoppt nicht während des Gebrauchs.	Der Ablaufschlauch ist vom falschen Typ oder falsch angebracht	Ablaufschlauch und seine Anschlüsse überprüfen. Je größer Durchmesser und Anschluss des Schlauchs sind, desto größer der Durchfluss. Je niedriger die Förderhöhe, desto größer der Durchfluss.
	Thermischer Überlastschuttschalter hat ausgelöst	Von der Stromversorgung trennen, 5 Minuten stehen lassen, dann Saugschlauch, Fußventil, Vorfilter bzw. Pumpe reinigen
Pumpe schaltet sich nach kurzen Betriebszeiten aus	Strom ist ausgefallen	Sicherungen und elektrische Verbindungen überprüfen
	Zu heißes Wasser	Stellen Sie sicher, dass die Wassertemperatur nicht höher als 35°C ist

UMWELTSCHUTZ



Schadhafte und/oder zu entsorgende elektrische oder elektronische Werkzeuge und Geräte müssen an den dafür vorgesehenen Recycling-Stellen abgegeben werden.

Nur für EG-Länder

Entsorgen Sie Elektrowerkzeuge nicht über den Hausmüll. Entsprechend der EU-Richtlinie 2012/19/EG über Elektro- und Elektronik-Altgeräte sowie der Umsetzung in nationales Recht müssen Elektrowerkzeuge, die nicht mehr im Gebrauch sind, getrennt gesammelt und umweltschonend entsorgt werden.

GARANTIE

VONROC-Produkte werden nach den höchsten Qualitätsstandards entwickelt und sind für den gesetzlich festgelegten Zeitraum, ausgehend von dem ursprünglichen Kaufdatum, garantiert frei von Fehlern in Material und Ausführung. Sollte das Produkt in diesem Zeitraum aufgrund von Material- und/oder Verarbeitungsmängeln Fehler aufweisen, wenden Sie sich bitte direkt an VONROC Kundendienst.

Folgende Umstände sind von der Garantie ausgeschlossen:

- Reparaturen und oder Änderungen an der Maschine, die durch nicht-autorisierte Servicestellen vorgenommen oder versucht wurden.
- Normale Abnutzung und Verschleiß.
- Das Werkzeug wurde übermäßig beansprucht, missbräuchlich verwendet oder falsch gewartet.
- Es wurden keine Original-Ersatzteile verwendet.

Dies stellt die einzige Gewährleistung des Unternehmens dar, sowohl ausdrücklich als auch implizit. Es gibt keine anderen ausdrücklichen oder stillschweigenden Garantien, die über das hier Genannte hinausgehen, einschließlich der stillschweigenden Garantien der Marktgängigkeit oder Eignung für einen bestimmten Zweck. In keinem Fall ist VONROC haftbar für Neben- oder Folgeschäden. Die Rechtsmittel des Händlers beschränken sich auf Reparatur oder Ersatz fehlerhafter Einheiten oder Teile.

Am Produkt und am Benutzerhandbuch können Änderungen vorgenommen werden. Die technischen Daten können sich ohne Vorankündigung ändern.

1. VEILIGHEIDSVOORSCHRIFTEN

Lees de bijgesloten veiligheidsvoorschriften, de aanvullende veiligheidsvoorschriften en de instructies. Het niet in acht nemen van de veiligheidsvoorschriften en de instructies kan leiden tot elektrische schok, brand en/of ernstig letsel. Bewaar de veiligheidsvoorschriften en de instructies voor toekomstig gebruik.

De volgende symbolen worden gebruikt in de gebruikershandleiding of op het product:



Lees de gebruikershandleiding.



Gevaar voor lichamelijk letsel, overlijden of schade aan de machine wanneer de instructies in deze handleiding niet worden opgevolgd.



Gevaar voor elektrische schokken.



Apparaat tegen vorst beschermen.



Max. diepte.



GP527AC: Het gegarandeerde geluidsvermogensniveau LWA = 77 dB(A)



GP528AC: Het gegarandeerde geluidsvermogensniveau LWA = 81 dB(A)



Werp het product niet weg in ongeschikte containers.



Het product is in overeenstemming met de van toepassing zijnde veiligheidsnormen in de Europese richtlijnen.

VEILIGHEIDSWAARSCHUWINGEN

DIT APPARAAT MAG WORDEN GEBRUIKT DOOR KINDEREN VANAF 8 JAAR EN DOOR PERSONEN MET VERMINDERDE LICHAAMELIJKE, ZINTUIGLIJKE OF GEESTELIJKE VERMOGENS, OF MET EEN GEBREK AAN ERVARING EN KENNIS, MITS ZIJ ONDER TOEZICHT STAAN OF GEÏNSTRUEERD ZIJN BETREFFENDE HET VEILIG GEBRUIK VAN HET APPARAAT EN ZICH BEWUST ZIJN VAN DE ERMEE VERBODEN RISICO'S. KINDEREN MOGEN NIET MET HET APPARAAT SPELEN. REINIGING EN GEBRUIKSONDERHOUD MOGEN NIET DOOR KINDEREN ZONDER

TOEZICHT WORDEN UITGEVOERD. OM GEVAARLIJKE SITUATIES TE VOORKOMEN MOET HET NETSNOER DOOR DE FABRIKANT, ZIJN SERVICEMEDEWERKERS OF ANDERE GEKWALIFICEERDE PERSONEN WORDEN VERVANGEN ALS HET IS BESCHADIGD. DE STEKKER MOET UIT HET STOPCONTACT WORDEN GETROKKEN VOORDAT U HET APPARAAT REINIGT OF ONDERHOUD UITVOERT.

Lees voor u dit apparaat in gebruik neemt, deze instructies aandachtig en grondig door, en bewaar ze voor toekomstig gebruik. Het is zeer belangrijk dat u begrijpt hoe u dit apparaat veilig moet gebruiken, neem dus de tijd om kennis te nemen van de eisen zoals deze in deze instructies uiteen worden gezet.

- Als u op welke manier dan ook twijfelt over het gebruiken van dit apparaat, adviseren wij u ten eerste de diensten van een geschikte persoon met de juiste kwalificaties in te roepen,.
- De elektrische aansluiting moet worden beveiligd met een reststroomschakelaar (Residual Current Device (RCD)) op het stopcontact met een nominale inschakelstroom van 30mA (max).
- Houd kinderen en huisdieren op voldoende afstand van het werkgebied en laat nooit kinderen dit apparaat gebruiken of te eniger tijd het verlengsnoer aanraken. Berg het apparaat, wanneer u het niet gebruikt, op buiten bereik van kinderen.
- Laat het apparaat nooit onbeheerd achter wanneer het in gebruik is.
- Trek het apparaat nooit naar u toe aan het netsnoer. Draag het aan de draaghandgreep.
- Let erop dat het netsnoer niet op of over scherpe voorwerpen mag liggen, die de isolatiemantel zouden kunnen doorboren. Voer een visuele inspectie uit van het netsnoer voordat u het apparaat gebruikt, en laat het netsnoer door een gespecialiseerd servicecentrum vervangen, als het is beschadigd. Gebruik het apparaat niet als het snoer is beschadigd.
- Houd het netsnoer weg bij warmtebronnen, vrieskou, olie, oplosmiddelen of scherpe voorwerpen of randen.
- De elektrische aansluitingen bijv. een verlengsnoer, moet te allen tijde tegen vocht worden beschermd.
- Controleer dat het nominale vermogen op het apparaat overeenkomt met het nominale vermogen van uw stroomvoorziening. De voedingsspanning moet 230VAC zijn.

- Gebruik dit apparaat nooit droog - zonder water. Als het apparaat oververhit raakt, schakelt de thermische beveiliging het uit. Als dit gebeurt, wacht dan 5 minuten voor u het apparaat weer gebruikt.
- Schakel het apparaat alleen weer in met droge handen.
- Gebruik dit apparaat nooit in een vijver of een zwembad terwijl er mensen in het water zijn!
- Gebruik de pomp niet voor drinkwater.
- U mag met de pomp geen corroderende, brandbare of explosieve stoffen, vet, olie, zout water en rioolwater pompen.
- De pH-waarde van water moet tussen 6,5 end 8,5 liggen.
- De temperatuur van de vloeistof die wordt gepompt mag niet hoger zijn dan 35 °C.

Elektrische veiligheid

Neem bij het gebruik van elektrische machines altijd de plaatselijk geldende veiligheidsvoorschriften in acht in verband met brandgevaar, gevaar voor elektrische schokken en lichamelijk letsel. Lees behalve onderstaande instructies ook de veiligheidsvoorschriften in het apart bijgevoegde veiligheidskatern door.



Controleer altijd of uw netspanning overeenkomt met de waarde op het typeplaatje.

Verbinding maken met de stroomvoorziening

Controleer dat de voeding en de stekker die wordt gebruikt passen bij de machine. Kijk naar het typeplaatje op de machine. Eventuele veranderingen moeten altijd worden uitgevoerd door een gekwalificeerde elektricien.



Waarschuwing! Deze machine moet op aarde worden aangesloten. Als de machine niet op juiste wijze is geaaid, kan dat een elektrische schok tot gevolg hebben. Controleer dat het stopcontact is geaard. Laat bij twijfel een controle uitvoeren door een gekwalificeerde elektricien.



Waarschuwing! Vermijd contact met aansluitpunten van de stekker wanneer u de stekker in het stopcontact steekt of uit het stopcontact trekt. Contact veroorzaakt een ernstige elektrische schok.

Bij vervanging van snoeren of stekkers

Wanneer het netsnoer beschadigd raakt, dan dient het vervangen te worden door een speciaal netsnoer dat verkrijgbaar is bij de fabrikant of de customer service van de fabrikant. Gooi oude snoeren of stekkers direct weg zodra ze door nieuwe exemplaren zijn vervangen. Het is gevaarlijk om de stekker van een los snoer in een stopcontact te steken.

Bij gebruik van verlengsnoeren

Gebruik uitsluitend een goedgekeurd verlengsnoer, dat geschikt is voor het vermogen van de machine. De aders moeten een doorsnede hebben van minimaal 1,5 mm². Wanneer het verlengsnoer op een haspel zit, rol het snoer dan helemaal af.

2. TECHNISCHE INFORMATIE

De automatische pomp is bedoeld voor particulier gebruik voor huishoudelijk watertoevoer en de irrigatie van tuinen, het is niet bestemd voor commercieel gebruik. Explosieve, corroderende, brandbare stoffen, rioolwater, zout water, vet en olie mogen niet met de pomp worden gepompt.

De pomp is uitsluitend ontworpen en bestemd voor het pompen van schoon water en regenwater. De grootte van de deeltjes van vaste stoffen in het water mag niet de maximale grootte van deeltjes overschrijden die in de technische gegevens wordt gespecificeerd.

Deze pomp werd niet ontwikkeld voor een constante werking (bijv. als circulatiepomp voor een zwembad of vijver).

TECHNISCHE SPECIFICATIES

Modelnr.	GP527AC	GP528AC
Behuizing van de pomp	Kunststof	Roestvrij staal
Spanning	230 VAC / 50Hz	
Ingangsvermogen	800 W	1000 W
Max. doorstromingssnelheid (Afb. C)	3300l/h	3500l/h
Max. druk	4 bar	4,4 bar
Max. pomphoogte (Afb. C)	40 m	44 m
Max. zelfaanzuigende hoogte	8 m	
Max. grootte deeltjes	1 mm (schoon water)	
Inschakeldruk	1,5-2,5 bar	
Standaard inschakeldruk	1,5 bar	
Droogloopbeveiliging	Ja	
Manometer	Ja	
Terugslagklep (drukschakelaar)	Ja	
Max. watertemperatuur	35 °C	
Beveiliging	IPX4	
Drukaansluiting (schakelaar)	G1" interne schroefdraad	
Zuigaansluiting	G1" interne schroefdraad	
Aanbevolen binnenslang diameter (zuigslang)	25 mm, 32 mm, 38 mm	
Kabellengte	1,2 m	
Gewicht	6,86 kg	7,24 kg
Geluidsdruk L _{PA}	62,6 dB(A) K = 2,22 dB(A)	66,2 dB(A) K = 2,66 dB(A)
Geluidsvermogen L _{WA}	74,5 dB(A) K = 2,22 dB(A)	78,1 dB(A) K = 2,66 dB(A)

BESCHRIJVING

De cijfers in deze tekst verwijzen naar de diagrammen op pagina 2-7.

1. AAN/UIT-schakelaar
2. Aftapplug
3. Water-ingang (pomp)
4. Voetklep / Terugslagklep (niet meegeleverd)
5. Vuldop
6. Water-uitgang (pomp)

7. Draaghandgreep
8. Zuigslang (niet meegeleverd)
9. Water-ingang (drukschakelaar)
10. Water-uitgang (drukschakelaar)
11. Manometer
12. Resetknop
13. LED-voeding
14. LED-storing
15. LED-aan
16. Instelschroef voor de druk

3. MONTAGE



Voordat werkzaamheden aan de machine worden uitgevoerd, moet eerst de stekker uit het stopcontact worden genomen.

De handgreep monteren (Afb. D)

1. Zet de handgreep (7) op de machine, zoals wordt getoond in afbeelding D.
2. Monteer de handgreep (7) door de twee schroeven vast te draaien.

Het plaatsen van de drukschakelaar (Afb. E)

1. Schroef de koppeling in de pompuitlaat (6), zoals weergegeven in afbeelding E1.
2. Schroef de aansluiting van de watertoevoer (9) in de koppeling, zoals weergegeven in afbeelding E2.

Het installeren van de pomp (Afb. G)

De pomp moet in een geventileerde en droge omgeving worden geïnstalleerd. De pomp kan buitenshuis worden geïnstalleerd, mits er een goede bescherming is tegen regen en wind. Controleer of de pomp op een horizontale en stabiele ondergrond is geplaatst. Plaats de waterpomp voor de tuin altijd op een hoger punt dan het wateroppervlak, zoals weergegeven in afbeelding G.

De zuigslang bevestigen (Afb. A, F, G)



Gebruik aan de zuigzijde geen bevestigingen van een systeem voor slangaansluitingen of standaard waterslangen! Een zuigslangset (8) met een daarvoor geschikte koppeling (G1" externe schroefdraad en voetklep (4) moeten worden gebruikt. De voetklep(4) voorkomt het terugstromen van het water aan het einde van het pompproces.



Een zuigslang (8) met een diameter van 25 mm, 32 mm, of 38 mm (binnendiameter) moet worden gebruikt om de maximale doorstromingsnelheid te realiseren.



De zuigslang (8) dient zo kort mogelijk te zijn.

1. Verwijder de beschermkap van de aansluiting van de watertoevoer.
2. Vul de zuigslang (8) met schoon kraanwater, zoals weergegeven in afbeelding F.
3. Breng schroefdraadtape (Teflon tape) aan op de schroefdraadaansluiting van de zuigslang.
4. Schroef de zuigslangaansluiting luchtdicht aan op de watertoevoer (3).
5. De voetklep (4) moet verticaal worden geplaatst en op een minimale afstand van 30 cm vanaf de waterbodem, om te voorkomen dat zand en stenen worden aangezogen, zoals weergegeven in afbeelding G.

De afvoerslang bevestigen (Afb. B)



Hoe groter de diameter van de slang en de slangconnector, des te groter de doorstroming.



Hoe lager de oppomphoogte, des te groter de doorstroming.

1. Bepaal welke slangdiameter en welke bevestigingen van een systeem voor de slangaansluitingen u gaat gebruiken.
2. Breng schroefdraadtape (Teflon tape) aan op de aansluiting van de waterafvoer (10).
3. Schroef de aansluiting (niet meegeleverd) in de waterafvoer (10).
4. Sluit de slang (niet meegeleverd) aan op de koppeling resp. aansluiting.
5. Controleer of er geen knikken in de slang zitten.

De pomp vullen met water (Afb. A, H)

1. De vuldop (5) losdraaien en verwijderen.
2. Vul de pomp met schoon kraanwater, zoals weergegeven in afbeelding H. Niet te veel water in de pomp vullen.
3. Plaats de vuldop (5) weer terug en draai niet te kracht vast.

4. WERKING



Gebruik deze pomp nooit in een vijver of zwembad als mensen in het water aanwezig zijn!



De pomp alleen met droge handen aan- en uitschakelen.



De pomp nooit activeren voordat de pomp en zuigslang (8) gevuld zijn met water.



Reinig de voetklep (niet meegeleverd) en het voorfilter (niet meegeleverd) regelmatig en controleer op beschadigingen. Anders kan de functie misschien niet goed werken.

Aan-/Uitschakelen (Afb. A)

1. Controleer of de AAN/UIT-schakelaar (1) van de pomp in de stand '0' staat, voordat de drukschakelaar op de stroomvoorziening wordt aangesloten.
2. Zet de AAN/UIT-schakelaar (1) van de pomp in de stand 'I' om de pomp in te schakelen.
3. Met de drukschakelaar kan de werking van de waterpomp voor de tuin automatisch worden geregeld. Open de daaraan gekoppelde kraan of het spuitpistool om de pomp te starten. Als de pomp wordt gestart, zal er eerst veel lucht in het water aanwezig zijn. Dit wijst niet op een defect van de pomp, maar dient om de lucht uit de pomp te verdrijven. Wanneer de pomp voor de eerste keer wordt gebruikt, kan het enkele minuten duren voordat de lucht uit de pomp is ontsnapt.
4. Als de gekoppelde kraan of het spuitpistool wordt dichtgedraaid, zal de pomp automatisch stoppen met het pompen.
5. Zet de AAN/UIT-schakelaar (1) van de pomp in de stand '0' om de pomp uit te schakelen.

De drukschakelaar heeft 3 LED-indicatielampjes (13, 14, 15) die de status van de drukschakelaar aangeven:

LED-indicatielampjes	Operationele status
LED-voeding (13)	De drukschakelaar is aangesloten aan de voeding. De drukschakelaar is klaar voor gebruik.
LED-storing (14)	De pomp loopt droog, heeft geen water. De droogloopbeveiliging is geactiveerd. Gebruik de handleiding van de pomp om de oorzaak van de storing te vinden en los het op. Start vervolgens de pomp weer op door op de drukschakelaar op de reset-knop (12) te drukken.
LED-aan (15)	De pomp functioneert.

Het aflezen van de druk (Afb. B)

De leidingdruk kan op de manometer (11) worden afgelezen. De zwarte schaalverdeling geeft de druk in bar aan.

De inschakeldruk instellen (afb. A,B)

De standaard inschakeldruk is 1,5 bar. De inschakeldruk kan worden aangepast tot een waarde tussen 1,5 bar tot 2,5 bar.

Het is mogelijk om de druk in te stellen met behulp van de instelschroef voor de druk (16). Elke 360° slag verhoogt of verlaagt de inschakeldruk met ca. 0,2 bar.

- Bij het naar rechts draaien, zal de druk verhogen.
- Bij het naar links draaien, zal de druk verlagen.

Werkzaamheden beëindigen (Afb. A, I)



Raak de pomp niet aan, tenzij de stroomvoorziening al minimaal 5 minuten geleden werd uitgeschakeld.



Als er risico op vorst aanwezig is, of als u de pomp langere tijd niet gaat gebruiken, adviseren wij u om de pomp op een juiste manier op te bergen.

1. Controleer of de AAN/UIT-schakelaar (1) in de stand '0' staat ingesteld.
2. Trek de netstekker uit de stroomvoorziening.
3. Draai de aftapplug (2) los en verwijder het. Laat

het water uitlopen.

4. Trek de zuigslang omhoog (voorzichtig, deze zit vol met water)
5. Schroef de zuigslang (8) los van de watertoevoer(3).
6. Verwijder het filter en de voetklep (4), daarna spoelen met helder water. Controleer of geen water in de zuigslang (8) is achtergebleven.
7. Neem de waterslang uit de waterafvoer (10). Schroef de aansluiting van de waterafvoer (10) los.
8. Plaats de aftapplug (2) weer terug en draai niet te krachtig vast.
9. Reinig het apparaat en berg het op (zie 'Onderhoud').

5. ONDERHOUD



Schakel de machine altijd uit en trek de stekker uit het stopcontact, voordat de machine wordt gereinigd of onderhoud uitgevoerd gaat worden.

Maak de behuizing van het apparaat regelmatig schoon met een zachte doek, bij voorkeur na ieder gebruik. Verwijder hardnekkig vuil met een zachte doek vochtig gemaakt met een zeepoplossing. Gebruik geen oplosmiddelen zoals benzine, alcohol, ammoniak, enzovoorts. Chemicaliën zoals deze kunnen de synthetische componenten beschadigen.

Als het apparaat verstopt lijkt te zijn, trek dan de stekker uit het stopcontact en controleer het apparaat op verstoppingen. Reinig de zuigslang, voetklep, voorfilter en pomp.

OPSLAG EN BESCHERMING TEGEN VORST

Waterpompen voor de tuin en accessoires die nog resterend water bevatten, kunnen door de vorst permanent beschadigd worden. Laat al het water uit de waterpomp voor de tuin en de accessoires lopen en bescherm hen tegen de vorst. Berg het apparaat op in een goed geventileerde, droge ruimte waar de temperatuur niet daalt onder +5°C.

Berg het apparaat, wanneer u het niet gebruikt, op buiten bereik van kinderen.

GIDS VOOR HET OPLOSSEN VAN PROBLEMEN

Probleem	Oorzaak	Oplossing
Pomp start niet.	Geen elektriciteit	Controleer de stroomvoorziening
	Pom niet ingeschakeld	Schakel de pomp in
	LED-storing is geactiveerd	Druk op de reset-knop
	Onvoldoende pompdruk	Controleer of de pompdruk 0,8 bar hoger staat ingesteld dan de druk van de schakelaar bij het starten
De pomp is actief, maar er wordt geen water toegevoerd (nadat de pomp al meer dan 5 minuten geleden werd gestart)	De inschakeldruk staat te laag ingesteld	Door de instelschroef voor de druk naar rechts te draaien, zal de inschakeldruk verhogen
	De droogloopbeveiliging is geactiveerd, omdat de insteldruk te hoog is ingesteld	Door de instelschroef voor de druk naar links te draaien, zal de inschakeldruk verlagen
	De pomp is actief, maar er wordt geen water toegevoerd (nadat de pomp al meer dan 5 minuten geleden werd gestart)	De pomp is niet volledig gevuld met water
De pomp schakelt constant in en uit	Lucht in de zuigslang	Controleer de afdichting van de verschillende aansluitingen van de zuigslang
	Het waterniveau is te laag	Pas de installatiehoogte van de pomp aan (< 8 m)
	De zuigslang, voetklep, voorfilter of pomp is verstopt.	Reinig de zuigslang, voetklep, voorfilter of pomp.
De pomp schakelt constant in en uit	De inschakeldruk staat te hoog ingesteld	Door de instelschroef voor de druk naar links te draaien, zal de inschakeldruk verlagen

<p>Onvoldoende druk</p>	<p>Onjuiste type pomp</p> <p>De zuigslang is te lang of heeft te veel bochten, de diameter van de zuigslang is niet geselecteerd zoals vereist.</p> <p>De zuigslang, voetklep, voorfilter of pomp is verstopt.</p> <p>De waterafvoerslang is onjuist of niet goed geïnstalleerd.</p>	<p>Selecteer een geschikte pomp</p> <p>Een zuigslang met een diameter van 25 mm, 32 mm, of 38 mm (binnendiameter) moet worden gebruikt om de maximale doorstroomsnelheid te realiseren. Maak de zuigslang korter.</p> <p>Reinig de zuigslang, voetklep, voorfilter of pomp.</p> <p>Controleer de waterafvoerslang en de aansluitingen. Hoe groter de diameter van de slang en de slangaansluiting, hoe hoger de doorstroomsnelheid. Hoe lager de oppomphoogte, des te groter de doorstroming.</p>
<p>Pomp start niet of start tijdens gebruik.</p>	<p>De schakelaar van de beveiliging voor thermische overbelasting is geactiveerd</p>	<p>Van de stroomvoorziening scheiden, vijf minuten laten staan en de zuigslang, voetklep, voorfilter of pomp reinigen.</p>
<p>Pomp wordt uitgeschakeld na een korte periode van activiteit</p>	<p>De zekering van de stroomvoorziening is doorgeslagen</p> <p>Het water is te heet</p>	<p>Controleer de zekeringen en elektrische aansluitingen</p> <p>Controleer of de watertemperatuur niet boven het maximum van 35°C is gestegen</p>

MILIEU



Defecte en/of afgedankte elektrische of elektronische gereedschappen dienen ter verwerking te worden aangeboden aan een daarvoor verantwoordelijke instantie.

Uitsluitend voor EG-landen

Werp elektrisch gereedschap niet weg bij het huisvuil. Conform de Europese Richtlijn 2012/19/EG voor Afgedankte Elektrische en Elektronische Apparatuur en de implementatie ervan in nationaal recht moet niet langer te gebruiken elektrisch gereedschap gescheiden worden verzameld en op een milieuvriendelijke wijze worden verwerkt.

GARANTIE

VONROC producten zijn ontworpen volgens de hoogste kwaliteitsstandaarden en gegarandeerd vrij van defecten, zowel materieel als fabrieksfouten, tijdens de wettelijk vastgestelde garantieperiode vanaf de eerste aankoopdatum. Mocht het product tijdens deze periode gebreken vertonen veroorzaakt door defecte materialen en/of fabrieksfouten, neem dan rechtstreeks contact op met VONROC.

De volgende situaties vallen niet onder de garantie:

- Er zijn reparaties of aanpassingen aan de machine uitgevoerd, of er is een poging daartoe ondernomen, door een nietgeautoriseerd servicecentrum.
- Normale slijtage.
- De machine is misbruikt, verkeerd gebruikt of slecht onderhouden.
- Er zijn niet-originele reserveonderdelen gebruikt.

Dit vormt de enige garantie opgesteld door het bedrijf zowel expliciet als impliciet. Er bestaan geen andere garanties expliciet of impliciet welke verder gaan dan deze garantie, inclusief impliciete garanties van verkoopbaarheid en geschiktheid voor bepaalde doeleinden. In geen enkel geval kan VONROC aansprakelijk worden gesteld voor incidentele schade of gevolgschade. Reparaties van dealers zijn gelimiteerd tot de reparatie of vervanging van defecte producten of onderdelen.

Het product en de gebruikershandleiding zijn onderhevig aan wijzigingen. Specificaties kunnen zonder opgaaf van redenen worden gewijzigd.

1. CONSIGNES DE SÉCURITÉ

Consultez les avertissements de sécurité, les avertissements de sécurité additionnels ainsi que les instructions fournis ici. Le non respect des avertissements de sécurité et des instructions peut occasionner une électrocution, un incendie ou des blessures graves. Conservez les avertissements de sécurité et les instructions pour référence future.

Les symboles suivants sont utilisés dans le manuel d'utilisation ou apposés sur le produit:



Lisez le manuel d'utilisation.



Signale un risque de blessures, un danger mortel ou un risque d'endommagement de l'outil en cas de non-respect des instructions de ce manuel.



Indique un risque de décharges électriques



Mettre l'appareil à l'abri du gel.



Profondeur maxi.



GP527AC: Valeur garantie selon la directive bruit LWA = 77 dB(A)



GP528AC: Valeur garantie selon la directive bruit LWA = 81 dB(A)



Ne jetez pas le produit dans des conteneurs qui ne sont pas prévus à cet effet.



Le produit est conforme aux normes de sécurité applicables des directives européennes.

REMARQUES LIÉES À LA SÉCURITÉ

PEUT ÊTRE UTILISÉ PAR DES ENFANTS ÂGÉS DE 8 ANS ET PLUS ET PAR DES PERSONNES AUX CAPACITÉS PHYSIQUES, SENSORIELLES OU MENTALES RÉDUITES, OU QUI MANQUENT D'EXPÉRIENCE ET DE CONNAISSANCE, À CONDITION QU'ILS SOIENT SUPERVISÉS OU QU'ILS AIENT ÉTÉ FORMÉS SUR LA FAÇON SÛRE D'UTILISER L'APPAREIL ET QU'ILS COMPRENNENT LES RISQUES ENCOURUS. LES ENFANTS NE DOIVENT PAS JOUER AVEC L'APPAREIL. LE NETTOYAGE ET LES OPÉRATIONS DE MAINTENANCE À RÉALISER PAR L'UTILISATEUR NE

DOIVENT PAS ÊTRE EXÉCUTÉS PAR DES ENFANTS SANS SURVEILLANCE. SI LE CÂBLE D'ALIMENTATION EST ENDOMMAGÉ, IL DOIT ÊTRE REMPLACÉ PAR LE FABRICANT, L'UN DE SES PRESTATAIRES DE SERVICES OU TOUTE AUTRE PERSONNE DISPOSANT DES MÊMES QUALIFICATIONS AFIN D'ÉVITER TOUT RISQUE. LA PRISE DOIT ÊTRE DÉBRANCHÉE DE LA PRISE DE COURANT AVANT DE PROCÉDER AU NETTOYAGE OU À LA MAINTENANCE DE L'APPAREIL.

Veillez à lire soigneusement l'intégralité de ces consignes avant d'utiliser l'appareil et à les conserver pour pouvoir vous y référer dans le futur. Il est très important que vous compreniez comment utiliser ce produit de façon sûre, merci donc de veiller à prendre le temps nécessaire pour vous familiariser avec les prescriptions mentionnées dans ces instructions.

- Si vous avez le moindre doute quant à l'utilisation de cet appareil, nous vous conseillons fortement de faire appel aux services d'une personne qualifiée.
- Le branchement électrique doit être protégé par un disjoncteur différentiel à courant résiduel (DDR) avec un courant de déclenchement nominal de 30mA (maxi), au niveau de la prise électrique.
- Veillez à maintenir les enfants et les animaux domestiques à l'écart de la zone d'utilisation et ne laissez jamais les enfants utiliser cet appareil ou toucher la rallonge électrique. Lorsqu'il n'est pas utilisé, rangez cet appareil dans un endroit sûr, hors de portée des enfants.
- Ne laissez jamais l'appareil sans surveillance lorsqu'il est en marche.
- Ne tirez jamais l'appareil par son cordon électrique. Transportez-le à l'aide de la poignée de transport.
- Ne laissez pas le cordon électrique courir sur ou au-dessus d'objets tranchants qui pourraient endommager la gaine isolante. Procédez à l'inspection visuelle du cordon électrique avant chaque utilisation et, s'il est endommagé, faites-le remplacer dans un centre d'assistance spécialisé. N'utilisez pas l'appareil si son cordon est endommagé.
- Gardez le cordon électrique à l'écart de la chaleur, du gel, de l'huile, des solvants et de tous les objets ou bords tranchants.
- Les raccords électriques, comme les rallonges

par exemple, doivent être, en permanence, protégés contre l'humidité.

- Contrôlez que la puissance nominale de votre appareil correspond bien à la puissance nominale de votre réseau électrique. La tension d'alimentation doit être de 230VAC.
- Veillez à ne jamais faire fonctionner cet appareil à sec, sans eau. Si l'appareil surchauffe, le disjoncteur thermique l'éteint. Si cela se produit, patientez 5 minutes avant de réutiliser l'appareil.
- Veillez à ne le remettre sous tension que si vos mains sont sèches.
- N'utilisez jamais cet appareil dans un bassin ou une piscine si des personnes sont dans l'eau !
- N'utilisez pas la pompe pour de l'eau potable.
- Les substances corrosives, inflammables ou explosives, la graisse, l'huile, l'eau salée et les eaux usées ne doivent pas être transportées par la pompe.
- Le pH de l'eau doit être compris entre 6,5 et 8,5.
- La température du liquide pompé ne doit pas dépasser 35 °C.

Sécurité électrique

Lors d'utilisation de machines électriques, observez les consignes de sécurité locales en vigueur en matière de risque d'incendie, de chocs électriques et de lésion corporelle. En plus des instructions ci-dessous, lisez entièrement les consignes de sécurité contenues dans le cahier de sécurité fourni à part.



Vérifiez que la tension d'alimentation correspond à la tension nominale indiquée sur la plaque signalétique.

Raccordement à l'alimentation électrique

Contrôlez que l'alimentation électrique et la prise utilisées sont bien adaptées pour cette machine. Consultez la plaque signalétique de la machine. L'ensemble des modifications apportées ne peut être réalisé que par un électricien qualifié.



Avertissement ! Cette machine doit être reliée à la terre. Si elle n'est pas correctement reliée à la terre, cette machine peut être à l'origine de décharges électriques. Veillez à ce que la prise d'alimentation électrique soit bien reliée à la terre. En cas de doute, faites-la contrôler par un électricien qualifié.



Avertissement ! Évitez tout contact avec les fiches de la prise au moment de brancher (débrancher) la prise dans/de la prise de courant. Tout contact pourrait conduire à une grosse décharge électrique.

En cas de changement de câbles ou de fiches

Si le câble d'alimentation électrique est endommagé, il doit être remplacé par un câble d'alimentation électrique spécial disponible auprès du fabricant ou de son service clientèle. Jetez les vieux câbles ou prises immédiatement après les avoir remplacés par de nouveaux. Il est dangereux de brancher un câble lâche.

En cas d'emploi de câbles prolongateurs

Employez exclusivement un câble prolongateur homologué, dont l'usage est approprié pour la puissance de la machine. Les fils conducteurs doivent avoir une section minimale de 1,5 mm². Si le câble prolongateur se trouve dans un dévidoir, déroulez entièrement le câble.

2. INFORMATIONS RELATIVES À LA MACHINE

La pompe automatique est destinée à un usage privé pour l'approvisionnement en eau des maisons et pour l'irrigation des jardins, elle n'est pas destinée à un usage commercial. Les substances explosives, corrosives, inflammables, les eaux usées, l'eau salée, la graisse et l'huile ne doivent pas être transportées par la pompe.

Elle est uniquement destinée au pompage de l'eau claire et de l'eau de pluie. La taille des particules solides dans l'eau ne doit pas dépasser la taille maximale spécifiée dans les caractéristiques techniques.

Cette pompe n'est pas destinée à fonctionner en continu (comme une pompe de circulation pour piscine ou bassin par exemple).

CARACTÉRISTIQUES TECHNIQUES

N° de modèle	GP527AC	GP528AC
Corps de pompe	Plastique	Acier inoxydable
Tension	230 VAC / 50Hz	
Puissance absorbée	800 W	1000 W
Débit maxi (Fig. C)	3300l/h	3500l/h
Pression maxi	4 bar	4,4 bar
Hauteur de pompage maxi (Fig. C)	40 m	44 m
Hauteur d'aspiration auto-amorçante maxi	8 m	
Taille de particules maxi	1 mm (eau propre)	
Pression de déclenchement	1,5-2,5 bars	
Pression de déclenchement par défaut	1,5 bar	
Protection contre le fonctionnement à sec	Oui	
Manomètre	Oui	
Anti-retour (contacteur manométrique)	Oui	
Température de l'eau maxi	35°C	
Classe de protection	IPX4	
Raccord de pression (contacteur manométrique)	Filetage intérieur G1"	
Raccord d'aspiration	Filetage intérieur G1"	
Diamètre intérieur du tuyau recommandé (tuyau d'aspiration)	25 mm, 32 mm, 38 mm	
Longueur du câble	1,2 m	
Poids	6,86 kg	7,24 kg
Niveau de pression acoustique L_{PA}	62,6 dB(A) K = 2,22 dB(A)	66,2 dB(A) K = 2,66 dB(A)
Niveau d'intensité acoustique L_{WA}	74,5 dB(A) K = 2,22 dB(A)	78,1 dB(A) K = 2,66 dB(A)

PRÉSENTATION

Les numéros dans le texte renvoient aux diagrammes des pages 2 à 7.

1. Interrupteur MARCHÉ/ARRÊT
2. Bouchon de vidange
3. Arrivée d'eau (pompe)
4. Clapet de pied / anti-refoulement (non inclus)
5. Bouchon de remplissage
6. Sortie d'eau (pompe)
7. Poignée de transport
8. Tuyau d'aspiration (non inclus)
9. Arrivée d'eau (contacteur manométrique)
10. Sortie d'eau (contacteur manométrique)
11. Manomètre
12. Bouton Réinitialisation
13. Voyant-alimentation
14. Voyant-défaut
15. Voyant-allumé
16. Vis de réglage de la pression

3. ASSEMBLAGE



Avant de procéder à une opération quelle qu'elle soit sur la pompe, débranchez la prise électrique de la source d'alimentation.

Monter la poignée (Fig. D)

1. Installez la poignée (7) sur la pompe, comme illustré par la figure D.
2. Fixez la poignée (7) en serrant les deux vis.

Installer le pressostat (Fig. E)

1. Vissez le raccord sur la sortie de la pompe (6), comme illustré par la figure E1.
2. Vissez le raccord d'arrivée d'eau (9) dans le raccord, comme illustré par la figure E2.

Installer la pompe (Fig. G)

La pompe doit être installée dans un environnement aéré et sec. Elle peut être installée à l'extérieur, à condition d'avoir une couverture adéquate pour éviter la pluie et le vent. Assurez-vous que la pompe est placée sur un sol horizontal et stable. Installez toujours la pompe de jardin à un endroit plus élevé que la surface de l'eau, comme indiqué sur la figure G.

Fixer le tuyau d'aspiration (Fig. A, F, G)

N'utilisez pas de raccords de système de connexion de tuyaux ou de tuyaux d'eau standard du côté de l'aspiration ! Il faut utiliser un tuyau d'aspiration (8) doté d'un raccord approprié (filetage extérieur G1») et un clapet de pied (4). Le clapet de pied (4) empêche le retour de l'eau à la fin du cycle de pompage.



Pour que le débit soit maximum, un tuyau d'aspiration (8) de 25 mm, 32 mm ou 38 mm (diamètre intérieur) doit être utilisé.



Le tuyau d'aspiration (8) doit être aussi court que possible.

1. Retirez le cache de protection du raccord d'arrivée d'eau.
2. Remplissez le tuyau d'aspiration (8) avec de l'eau du robinet propre, comme indiqué sur la figure F.
3. Appliquez du ruban d'étanchéité pour filetage (ruban en téflon) sur le raccord fileté du tuyau d'aspiration.
4. Vissez le raccord du tuyau d'aspiration dans l'arrivée d'eau (3).
5. Le clapet de pied (4) doit être placé verticalement et à au moins 30 cm du fond de l'eau pour éviter l'aspiration du sable et des pierres, comme indiqué sur la figure G.

Fixer le tuyau d'évacuation (Fig. B)

Plus le diamètre du tuyau et du raccord de tuyau est grand, plus le débit est important.



Plus la hauteur de transfert de l'eau est basse, plus le débit est important.

1. Décidez du diamètre du tuyau et des raccords du système de raccordement que vous allez utiliser.
2. Appliquez du ruban d'étanchéité pour filetage (ruban en téflon) sur le raccord de sortie d'eau (10).
3. Vissez le raccord (non fourni) sur la sortie d'eau (10).
4. Branchez le tuyau (non fourni) sur le raccord.
5. Vérifiez que le tuyau n'est pas entortillé.

Remplir la pompe d'eau (Fig. A, H)

1. Dévissez et retirez le bouchon de remplissage (5).
2. Remplissez la pompe avec de l'eau du robinet propre, comme indiqué sur la figure H. Ne remplissez pas trop la pompe.
3. Réinstallez le bouchon de remplissage (5) sans trop le serrer.

4. FONCTIONNEMENT

N'utilisez jamais cette pompe dans un bassin ou une piscine si des personnes sont dans l'eau!



Veillez à couper ou rétablir l'alimentation que si vos mains sont sèches.



Ne faites jamais fonctionner cette pompe avant que la pompe et le tuyau d'aspiration (8) ne soient remplis d'eau.



Nettoyez le clapet de pied (non inclus) et le préfiltre (non inclus) à intervalles réguliers, et vérifiez qu'ils ne sont pas endommagés. L'équipement pourrait sinon ne pas fonctionner correctement.

Mise en marche et extinction (Fig.A)

1. Contrôlez que l'interrupteur Marche/Arrêt (1) de la pompe est sur la position «0» avant de raccorder le pressostat à l'alimentation électrique.
2. Déplacez l'interrupteur Marche/Arrêt (1) de la pompe sur la position «I» pour mettre la pompe en marche.
3. Vous pouvez automatiquement contrôler le fonctionnement de la pompe de jardin grâce au pressostat. Ouvrez le robinet ou la lance pour lancer la pompe. Au démarrage de la pompe, l'eau contient beaucoup d'air. Ce n'est pas le signe d'un défaut de la pompe mais cela sert à purger l'air de la pompe. L'air peut prendre plusieurs minutes pour s'échapper lors de la première utilisation de la pompe.
4. La pompe est immédiatement coupée si vous refermez le robinet ou la lance.
5. Déplacez l'interrupteur Marche/Arrêt (1) de la pompe sur la position «0» pour éteindre la pompe.

Le pressostat intègre 3 voyants (13, 14, 15) qui indiquent sont état :

Voyants	État
Voyant-alimentation (13)	Le pressostat est raccordé à l'alimentation électrique. Le pressostat est opérationnel.
Voyant-défaut (14)	La pompe tourne à sec. La sécurité de fonctionnement à sec est activée. Consultez le manuel d'utilisation de la pompe pour trouver la cause du défaut et corrigez-le. Redémarrez ensuite la pompe en appuyant sur le bouton de réinitialisation (12) sur le pressostat.
Voyant-en marche (15)	La pompe est en marche.

Connaître la pression (Fig. B)

La pression dans la conduite peut être lue sur le manomètre (11). L'échelle de graduation noire indique la pression en bars.

Paramétrer la pression de déclenchement (Fig. A, B)
 La pression de déclenchement par défaut est 1,5 bar. La pression de déclenchement peut être réglée entre 1,5 bar et 2,5 bars.

Il est possible de régler la pression de déclenchement à l'aide de la vis de réglage de la pression (16). Chaque tour complet de la vis diminue ou augmente la pression de déclenchement d'environ 0,2 bar.

- La pression augmente en tournant la vis dans le sens des aiguilles d'une montre.
- La pression diminue en tournant la vis dans le sens inverse des aiguilles d'une montre.

Après l'utilisation (Fig. A, I)



Ne touchez pas la pompe si son alimentation n'a pas été coupée pendant au moins 5 minutes.



En cas de risque de gel ou si vous n'utilisez pas votre pompe pendant une longue période, veuillez la ranger correctement.

1. Assurez-vous que l'interrupteur MARCHE/ARRÊT (1) est sur « 0 ».
2. Débranchez la fiche d'alimentation de la prise.
3. Dévissez et retirez le bouchon de vidange (2). Laissez l'eau s'écouler.

4. Remontez le tuyau d'aspiration (attention, il est plein d'eau).
5. Dévissez le tuyau d'aspiration (8) de l'arrivée d'eau (3).
6. Retirez le filtre et le clapet de pied (4), puis rincez à l'eau claire. Assurez-vous qu'il n'y a plus d'eau dans le tuyau d'aspiration (8).
7. Retirez le tuyau d'eau de la sortie d'eau (10). Dévissez le raccord de la sortie d'eau (10).
8. Réinstallez le bouchon de vidange (2) sans trop le serrer.
9. Nettoyez et rangez l'appareil (voir « Maintenance »)

5. MAINTENANCE



Avant toute opération de nettoyage ou de maintenance, éteignez toujours la machine et retirez la fiche d'alimentation de la prise.

Nettoyez régulièrement le boîtier de l'équipement à l'aide d'un chiffon doux et de préférence après chaque utilisation. Supprimez les taches tenaces à l'aide d'un chiffon doux légèrement humide et d'une solution savonneuse. N'utilisez aucun solvant comme de l'essence, de l'alcool, de l'ammoniaque, etc. car ces produits chimiques peuvent endommager les composants synthétiques.

Si l'appareil semble bloqué, éteignez-le, débranchez la prise de courant et contrôlez la cause du blocage. Nettoyez le tuyau d'aspiration, le clapet de pied, le préfiltre et la pompe.

RANGEMENT ET PROTECTION CONTRE LE GEL

La pompe de jardin et ses accessoires peuvent geler s'ils ne sont pas complètement vidangés. Vidangez complètement la pompe de jardin et ses accessoires et protégez-les contre le gel. Conservez l'appareil dans un local bien aéré dont la température ne descend pas en dessous de +5°C.

Lorsqu'il n'est pas utilisé, rangez cet appareil dans un endroit sûr, hors de portée des enfants.

GUIDE DE DÉPANNAGE

Problème	Cause	Remède
La pompe ne démarre pas	Il n'y a pas d'alimentation électrique	Contrôlez l'alimentation électrique
	La pompe n'est pas allumée	Allumez la pompe
	Le voyant-défaut est allumé	Appuyez sur le bouton de réinitialisation
	Pression de la pompe insuffisante	Contrôlez que la pression de la pompe est supérieure de 0,8 bar à la pression de déclenchement du pressostat.
La pression de déclenchement est trop basse	La pression de déclenchement est augmentée en tournant la vis de réglage de la pression dans le sens des aiguilles d'une montre.	La pression de déclenchement est augmentée en tournant la vis de réglage de la pression dans le sens des aiguilles d'une montre.
	La protection contre le fonctionnement à sec est activée car la pression de déclenchement est trop haute.	La pression de déclenchement est diminuée en tournant la vis de réglage de la pression dans le sens inverse des aiguilles d'une montre.
La pompe est active mais ne fournit pas d'eau (après un démarrage de plus de 5 minutes)	La pompe n'est pas entièrement remplie d'eau	Remplissez à nouveau la pompe d'eau et vérifiez le clapet de pied du tuyau d'aspiration
	Air dans le tuyau d'aspiration	Vérifiez l'étanchéité des différents joints du tuyau d'aspiration
	Le niveau d'eau est trop bas	Ajustez la hauteur d'installation de la pompe (< 8 m)
	Le tuyau d'aspiration, le clapet de pied, le pré-filtre ou la pompe sont bloqués	Nettoyez le tuyau d'aspiration, le clapet de pied, le pré-filtre ou la pompe
La pompe démarre et s'arrête constamment	La pression de déclenchement est trop haute	La pression de déclenchement est diminuée en tournant la vis de réglage de la pression dans le sens inverse des aiguilles d'une montre.
	Pression insuffisante	Type de pompe incorrect Le tuyau d'aspiration est trop long ou comporte trop de coudes, le diamètre du tuyau d'aspiration n'est pas choisi en fonction des besoins Le tuyau d'aspiration, le clapet de pied, le pré-filtre ou la pompe sont bloqués Le tuyau de sortie est incorrect ou mal installé
La pompe ne démarre pas et ne s'arrête pas pendant son utilisation.	Le disjoncteur thermique de protection contre les surcharges s'est déclenché	Débranchez l'alimentation, patientez 5 minutes et nettoyez le tuyau d'aspiration, le clapet de pied, le pré-filtre ou la pompe
	La pompe s'éteint après n'avoir fonctionné que pendant peu de temps	Courant coupé Contrôlez les fusibles et les raccordements électriques
	Eau trop chaude	Veillez à ce que la température de l'eau ne dépasse pas 35°C au maximum.

ENVIRONNEMENT



Les équipements électroniques ou électriques défectueux ou destinés à être mis au rebut doivent être déposés aux points de recyclage appropriés.

Uniquement pour les pays de l'UE

Ne jetez pas les outils électriques avec les déchets domestiques. Selon la Directive européenne 2012/19/ CE relative aux déchets d'équipements électriques et électroniques et sa mise en oeuvre dans le droit national, les outils électriques hors d'usage doivent être collectés séparément et mis au rebut de manière écologique.

GARANTIE

Les produits VONROC sont développés aux plus hauts standards de qualité et ils sont garantis contre les défauts de pièces et de main d'oeuvre pendant la durée légale stipulée à partir de la date d'achat d'origine du produit. En cas d'une quelconque panne du produit pendant cette durée qui serait due à un défaut matériel et/ou de main d'oeuvre, contactez directement VONROC.

Les circonstances suivantes ne sont pas prises en charge par la garantie:

- Des réparations ou altérations ont été effectuées ou tentées sur la machine par un centre de réparation non agréé.
- L'usure normale.
- L'outil a été maltraité, mal utilisé ou mal entretenu.
- Des pièces détachées non d'origine ont été utilisées

Ceci constitue l'unique garantie accordée par la société explicitement ou implicitement. Il n'existe aucune autre garantie, explicite ou implicite, qui peut s'étendre au delà du contenu ici présent, y compris les garanties marchandes ou d'adaptation à des fins particulières. En aucun cas VONROC ne sera tenu responsable de dommages accidentels ou consécutifs. Les solutions proposées par les revendeurs devront se limiter à la réparation ou le remplacement des éléments ou pièces non conformes.

Le produit et le manuel d'utilisation sont sujets à modifications. Les spécifications peuvent changer sans préavis.

1. INSTRUCCIONES DE SEGURIDAD

Lea las advertencias de seguridad, las advertencias de seguridad adicionales y las instrucciones adjuntas. De no respetarse las advertencias de seguridad y las instrucciones, podrían producirse descargas eléctricas, incendios y/o lesiones graves. Conserve las advertencias de seguridad y las instrucciones para su posterior consulta.

Los siguientes símbolos se utilizan en el manual de usuario o en el producto:



Lea el manual del usuario.



Denota riesgo de lesiones personales, pérdida de vida o daños a la herramienta en caso de incumplimiento de las instrucciones del presente manual.



Indica el peligro de sufrir descargas eléctricas.



Proteja el aparato contra el hielo.



Profundidad máx.



GP527AC: Nivel de potencia sonora garantizado LWA = 77 dB(A)



GP528AC: Nivel de potencia sonora garantizado LWA = 81 dB(A)



No deseche el producto en contenedores no adecuados.



El producto es conforme con las normas de seguridad vigentes en las Directivas Europeas.

NOTAS RELATIVAS A LA SEGURIDAD

ESTE APARATO PUEDE SER UTILIZADO POR NIÑOS A PARTIR DE 8 AÑOS DE EDAD Y POR PERSONAS CON CAPACIDADES FÍSICAS, SENSORIALES O MENTALES REDUCIDAS O QUE CAREZCAN DE EXPERIENCIA Y CONOCIMIENTOS, SI ESTÁN SUPERVISADAS O CAPACIDADES SOBRE EL USO DEL APARATO DE MODO SEGURO Y SI COMPRENDEN LOS PELIGROS QUE SUPONE. LOS NIÑOS NO DEBEN JUGAR CON EL APARATO. LA LIMPIEZA Y EL MANTENIMIENTO DE USUARIO NO DEBEN SER EFECTUADOS POR NIÑOS,

SIN SUPERVISIÓN. SI EL CABLE DE ALIMENTACIÓN SE DAÑA, DEBE SER SUSTITUIDO POR EL FABRICANTE, UN TALLER DE REPARACIÓN AUTORIZADO U OTRAS PERSONAS CON UNA CUALIFICACIÓN SIMILAR, CON EL FIN DE EVITAR PELIGROS. ANTES DE LIMPIAR O REALIZAR TRABAJOS DE MANTENIMIENTO EN EL APARATO, SE DEBE SACAR EL ENCHUFE DE LA TOMA DE CORRIENTE.

Lea detenidamente todas estas instrucciones antes de usar el aparato y guárdelas para futuras consultas. Es muy importante que entienda cómo usar este aparato en modo seguro; para ello, tómese el tiempo necesario para familiarizarse con los requisitos indicados en estas instrucciones.

- Si tiene alguna duda sobre el uso del aparato, le recomendamos encarecidamente que consulte a una persona debidamente cualificada.
- La conexión eléctrica debe estar protegida por un dispositivo diferencial residual (DDR) en la toma de corriente, con una corriente de desconexión nominal de 30 mA (máx.).
- Mantenga a los niños y a las mascotas alejados del área de trabajo, y nunca permita que los niños usen este aparato o toquen el cable de extensión en ningún momento. Cuando no use el aparato, guárdelo en un lugar seguro, fuera del alcance de los niños.
- Nunca deje el aparato sin vigilancia cuando esté funcionando.
- Nunca tire el aparato por el cable de alimentación. Desplácelo usando el asa de transporte.
- No deje que el cable de alimentación apoyado sobre objetos afilados ni que atraviese tales objetos pues estos puedan perforar el aislamiento exterior. Realice una inspección visual del cable de alimentación antes de usarlo y, si está dañado, hágalo cambiar en un centro de servicio especializado. No use el aparato si el cable está dañado.
- Mantenga el cable de alimentación alejado del calor, escarcha, aceite, disolventes o cualquier objeto o borde afilado.
- Las conexiones eléctricas, como, por ejemplo, el cable prolongador, deben estar protegidas de la humedad en todo momento.
- Compruebe que la potencia nominal del aparato coincida con la potencia nominal de su red eléctrica. La tensión de alimentación debe estar comprendida entre 230VAC.

- Nunca deje este aparato en seco, fuera del agua. Si el aparato se sobrecalienta, el disyuntor térmico lo apagará. Si esto sucede, espere 5 minutos antes de volver a usar el aparato.
- Enciéndalo siempre con las manos secas.
- ¡Nunca use este aparato en un estanque o piscina si hay gente en el agua!
- No use la bomba para el agua potable.
- La bomba no debe usarse para transportar sustancias corrosivas, inflamables o explosivas, grasa, aceite, agua salada ni aguas residuales.
- El pH del agua debe estar comprendido entre 6,5 y 8,5.
- La temperatura del líquido transportado no puede superar los 35 °C.

Seguridad eléctrica

Durante la utilización de aparatos eléctricos se observarán las normas de seguridad que rigen en el país en cuestión para reducir el peligro de incendio, electrocución y las lesiones. Léanse y ténganse en cuenta las siguientes instrucciones de seguridad y las que acompañan a los aparatos.



Compruebe siempre que la tensión de red corresponde con la especificada en la placa de modelo.

Conexión al suministro de energía

Compruebe que la fuente de alimentación y el enchufe utilizados sean adecuados para la máquina. Consulte los datos de la placa de características de la máquina. Todos los cambios deben ser realizados siempre por un electricista cualificado.



¡Advertencia! Esta máquina debe estar conectada a tierra. Si no se conecta a tierra correctamente, esta máquina puede causar una descarga eléctrica. Compruebe que el enchufe de la fuente de alimentación esté conectado a tierra. Si tiene alguna duda, hágalo revisar por un electricista cualificado.



¡Advertencia! Evite el contacto con los terminales del enchufe cuando conecte el enchufe en la toma de corriente o lo desconecte. El contacto puede causar una fuerte descarga eléctrica.

Sustitución de cables y conectores

Si el cable de alimentación se daña, debe ser sustituido por el fabricante, sus centros de servicios u otras personas con cualificación similar, para evitar peligros. Deséchense los cables y conectores una vez sustituidos inmediatamente. Es peligroso conectar el enchufe de un cable defectuoso a una toma de corriente.

Uso de los cables de extensión

Utilice exclusivamente un cable de extensión aprobado para la entrada de alimentación de la máquina. El tamaño mínimo del conductor es 1.5 mm². Cuando utilice una bobina de cable, des haga siempre la bobina al completo.

2. INFORMACIÓN DE LA MÁQUINA

La bomba automática está destinada a uso privado, para el suministro de agua doméstica y para el riego de jardines, y no ha sido prevista para uso comercial. La bomba no debe utilizarse para transportar sustancias explosivas, corrosivas e inflamables, aguas residuales, agua salada, grasa ni aceite.

Ha sido concebida para bombear únicamente agua limpia y de lluvia. El tamaño de las partículas sólidas del agua no debe exceder el tamaño máximo especificado en los datos técnicos.

Esta bomba no ha sido diseñada para el funcionamiento continuo (p.ej., como bomba de circulación para piscinas o estanques).

ESPECIFICACIONES TÉCNICAS

Modelo n.º	GP527AC	GP528AC
Carcasa de la bomba	Plástico	Acero inoxidable
Voltaje	230 VCA / 50 Hz	
Potencia de entrada	800 W	1000 W
Caudal máx. (Fig. C)	3300 l/h	3500 l/h
Presión máx.	4 bar	4.4 bar
Altura máx. bombeo (Fig. C)	40 m	44 m
Altura máx. aspiración autocebador	8 m	

Tamaño máx. partículas	1 mm (agua limpia)	
Presión de conexión	1,5-2,5 bar	
Presión de conexión predeterminada	1,5 bar	
Protección contra funcionamiento en seco	Sí	
Manómetro	Sí	
Antirretorno (interruptor de presión)	Sí	
Temperatura máx. agua	35 °C	
Protección	IPX4	
Conexión de presión (interruptor de presión)	Rosca interna G1"	
Conexión de aspiración	Rosca interna G1"	
Manguera int. recomendada diámetro (manguera de aspiración)	25 mm, 32 mm, 38 mm	
Longitud del cable	1,2 m	
Peso	6,86 kg	7,24 kg
Nivel de presión sonora L _{PA}	62,6 dB(A) K = 2,22 dB(A)	66,2 dB(A) K = 2,66 dB(A)
Nivel de presión acústica L _{WA}	74,5 dB(A) K = 2,22 dB(A)	78,1 dB(A) K = 2,66 dB(A)

DESCRIPCIÓN

Los números del texto se refieren a los diagramas de las páginas 2-7.

1. Interruptor de encendido/apagado
2. Tapón de vaciado
3. Entrada de agua (bomba)
4. Válvula de aspiración / antirretorno (no incluida)
5. Tapón de llenado
6. Salida de agua (bomba)
7. Asa de transporte
8. Manguera de aspiración (no incluida)
9. Entrada de agua (interruptor de presión)
10. Salida de agua (interruptor de presión)
11. Manómetro
12. Botón de restablecimiento
13. LED-alimentación
14. LED-fallo

15. LED-encendido
16. Tornillo de ajuste de presión

3. MONTAJE



Antes de realizar cualquier trabajo en la bomba, desconecte el cable de alimentación de la red eléctrica.

Colocación del asa (Fig. D)

1. Ponga el asa delantera (7) en la máquina, como se muestra en la figura D.
2. Monte el asa (7) apretando los dos tornillos.

Instalación del presostato (Fig. E)

1. Enrosque el acoplamiento en la salida de la bomba (6), como se muestra en la figura E1.
2. Enrosque la conexión de entrada de agua (9) en el acoplamiento, como se muestra en la figura E2.

Instalación de la bomba (Fig. G)

La bomba debe instalarse en un entorno ventilado y seco. Puede instalarse en el exterior, siempre que tenga una cubierta adecuada de protección contra la lluvia y el viento. Asegúrese de que la bomba esté colocada en un suelo horizontal y estable. Coloque siempre la bomba de jardín en un punto más alto que la superficie del agua, como se muestra en la figura G.

Colocación de la manguera de aspiración (Fig. A, F, G)



No utilice ningún accesorio del sistema de conexión de la manguera ni mangueras de agua estándar en el lado de aspiración. Debe utilizarse un juego de manguera de aspiración (8) con un acoplamiento adecuado (rosca exterior G1") y una válvula de aspiración (4). La válvula de aspiración (4) impide el retorno del agua al final del proceso de bombeo.



Debe utilizarse una manguera de aspiración (8) de 25 mm, 32 mm o 38 mm (diámetro interior) para obtener el máximo caudal.



La manguera de aspiración (8) debe ser lo más corta posible.

1. Retire la tapa de protección de la conexión de entrada de agua.
2. Llene la manguera de aspiración (8) con agua corriente limpia, como se muestra en la figura F.
3. Aplique cinta de sellado de roscas (cinta de teflón) al acoplamiento roscado de la manguera de aspiración.
4. Atornille el acoplamiento de la manguera de aspiración de forma hermética en la entrada de agua (3).
5. La válvula de aspiración (4) debe colocarse en posición vertical y a 30 cm como mínimo del fondo del agua, para evitar la aspiración de arena y piedras, como se muestra en la figura G.

Colocación de la manguera de salida (Fig. B)



Cuanto mayor sea el diámetro de la manguera y del conector de la manguera, mayor será el flujo.



Cuanto más baja sea la altura de entrega, mayor será el flujo.

1. Decida qué diámetro de manguera y qué accesorios para el sistema de conexión de la manguera va a usar.
2. Aplique cinta de sellado de roscas (cinta de teflón) en la conexión de salida de agua (10).
3. Enrosque el acoplamiento (no incluido) en la salida de agua (10).
4. Conecte la manguera (no incluida) al acoplamiento.
5. Compruebe que la manguera no esté retorcida.

Llenado de la bomba de agua (Fig. A, H)

1. Desenrosque y quite el tapón de llenado (5).
2. Llene la bomba con agua corriente limpia, como se muestra en la figura H. No llene la bomba excesivamente.
3. Vuelva a poner el tapón de llenado (5), sin apretarlo demasiado.

4. FUNCIONAMIENTO



¡Nunca use esta bomba en un estanque o piscina si hay gente en el agua!



Enciéndala o apáguela solo con las manos secas.



Nunca haga funcionar esta bomba antes de que la bomba y la manguera de aspiración (8) estén llenas de agua.



Limpie la válvula de aspiración (no incluida) y el prefiltro (no incluido) a intervalos periódicos, y compruebe que no estén dañados. De lo contrario, se puede deteriorar el funcionamiento.

Encendido/apagado (Fig. A)

1. Compruebe que el interruptor de encendido/apagado (1) de la bomba esté en la posición ,0' antes de conectar el presostato a la fuente de alimentación.
2. Ponga el interruptor de encendido y apagado (1) de la bomba en la posición ,1' para encender la bomba.
3. Con el presostato puede controlar automáticamente el funcionamiento de una bomba de jardín. Abra el grifo o la pistola pulverizadora para poner en marcha la bomba. Cuando ponga en marcha la bomba, primero habrá mucho aire en el agua. Esto no es un defecto de la bomba, sino que sirve para eliminar el aire de la bomba. Puede llevar varios minutos eliminar el aire cuando la bomba se utiliza por primera vez.
4. Cuando se cierra el grifo conectado o la pistola pulverizadora, la bomba deja de bombear automáticamente.
5. Ponga el interruptor de encendido y apagado (1) de la bomba en la posición ,0' para apagar la bomba.

El presostato tiene 3 indicadores de LED (13, 14, 15) que indican el estado del presostato:

Indicadores de LED	Estado de funcionamiento
LED-alimentación (13)	El presostato está conectado a la fuente de alimentación. El presostato está listo para usar.
LED-fallo (14)	La bomba está funcionando en seco, sin agua. Se ha activado la protección contra funcionamiento en seco. Consulte el manual de uso de la bomba para buscar la causa del fallo y corregirlo. Después reinicie la bomba pulsando el botón de restablecimiento (12) del presostato.
LED-encendido (15)	La bomba está funcionando.

Lectura de la presión (Fig. B)

La presión del tubo puede leerse en el manómetro de presión (11). La escala negra indica la presión en bar.

Ajuste de la presión de conexión (Fig. A,B)

La presión de conexión predeterminada es de 1,5 bar. La presión de conexión puede ajustarse en un valor comprendido entre 1,5 bar y 2,5 bar.

La presión de conexión puede ajustarse usando el tornillo de ajuste de presión (16). Cada giro de 360° disminuye o aumenta la presión de conexión aprox. 0,2 bar.

- Girando en sentido horario, la presión aumenta.
- Girando en sentido antihorario, la presión disminuye.

Fin del funcionamiento (Fig. A, I)



No toque la bomba salvo que la corriente haya estado cortada durante al menos 5 minutos.



Cuando haya riesgo de heladas o si no utiliza la bomba durante mucho tiempo, guárdela adecuadamente.

1. Compruebe que el interruptor de encendido y apagado (1) esté en la posición ,0'.
2. Desconecte el enchufe de la red eléctrica.
3. Desenrosque y quite el tapón de vaciado (2). Deje salir el agua.
4. Tire de la manguera de aspiración (tenga cuidado porque está llena de agua).
5. Desenrosque la manguera de aspiración (8) de la entrada de agua (3).
6. Retire el filtro y la válvula de aspiración (4) y aclare con agua limpia. Compruebe que no haya quedado agua en la manguera de aspiración (8).
7. Retire la manguera de aspiración de la entrada de agua (10). Desenrosque el acoplamiento de la salida de agua (10).
8. Vuelva a poner el tapón de vaciado (2), sin apretarlo demasiado.
9. Limpie y guarde el aparato (Consulte ,Mantenimiento')

5. MANTENIMIENTO



Antes de realizar la limpieza y el mantenimiento, apague siempre la máquina y extraiga el enchufe de la red de alimentación.

Limpie regularmente la carcasa del aparato con un paño suave, preferentemente después de cada uso. Elimine el polvo persistente utilizando un paño suave humedecido con agua y jabón. No use disolventes tales como gasolina, alcohol, amoníaco, etc. Tales productos químicos pueden dañar los componentes sintéticos.

Si el aparato parece estar bloqueado, desconecte la alimentación de la red, desenchufe el enchufe de la toma de corriente y compruebe si el aparato está bloqueado. Limpie la manguera de aspiración, la válvula de aspiración, el prefiltro y la bomba.

ALMACENAMIENTO Y PROTECCIÓN CONTRA EL HIELO

La bomba de jardín y los accesorios que no estén totalmente drenados pueden destruirse con las heladas. Drene totalmente la bomba de jardín y sus accesorios y protéjalos contra el hielo.

Guarde el aparato en un lugar ventilado y seco en el que la temperatura no sea inferior a +5 °C.

Cuando no use el aparato, guárdelo en un lugar seguro, fuera del alcance de los niños.

GUÍA DE SOLUCIÓN DE PROBLEMAS

Problema	Causa	Solución
La bomba no arranca	No hay suministro eléctrico	Compruebe el suministro eléctrico
	La bomba no se enciende	Encienda la bomba
	LED de fallo encendido	Pulse el botón de restablecimiento
	La bomba no tiene suficiente presión	Compruebe que la presión de la bomba sea 0,8 bar superior a la presión de arranque del presostato
	El ajuste de presión de conexión es demasiado bajo	Girotando el tornillo de ajuste de presión en sentido horario, la presión de conexión aumenta
La bomba está activa pero no suministra agua (transcurridos más de 5 minutos del encendido)	La protección contra el funcionamiento en seco está activada, porque la presión de conexión está ajustada demasiado alta	Girotando el tornillo de ajuste de presión en sentido antihorario, la presión de conexión disminuye
	La bomba no está completamente llena de agua	Vuelva a llenar la bomba con agua y compruebe la válvula de aspiración de la manguera de aspiración
La bomba está activa pero no suministra agua (transcurridos más de 5 minutos del encendido)	Aire en la manguera de aspiración	Compruebe la estanqueidad de las distintas juntas de la manguera de aspiración
	El nivel de agua es demasiado bajo	Ajuste la altura de instalación de la bomba (< 8 m)
	La manguera de aspiración, la válvula de aspiración, el prefiltro o la bomba están bloqueados.	Limpie la manguera de aspiración, la válvula de aspiración, el prefiltro o la bomba

<p>La bomba arranca y se para en modo continuo</p>	<p>El ajuste de presión de conexión es demasiado alto</p>	<p>Girando el tornillo de ajuste de presión en sentido antihorario, la presión de conexión disminuye</p>
<p>Presión insuficiente</p>	<p>Tipo de bomba incorrecto</p> <p>La manguera de aspiración es demasiado larga o tiene demasiadas curvas, el diámetro de la manguera de aspiración no se ha seleccionado correctamente</p> <p>La manguera de aspiración, la válvula de aspiración, el prefiltro o la bomba están bloqueados.</p> <p>La manguera de salida no es adecuada o está instalada incorrectamente</p>	<p>Seleccione la bomba adecuada</p> <p>Para obtener el máximo caudal, debe utilizarse una manguera de 25 mm, 32 mm o 38 mm (diámetro interior). Acorte la manguera de aspiración</p> <p>Limpie la manguera de aspiración, la válvula de aspiración, el prefiltro o la bomba</p> <p>Compruebe la manguera de salida y las conexiones. Cuanto mayor sea el diámetro de la manguera y la conexión de la manguera, mayor será el caudal. Cuanto más baja sea la altura de entrega, mayor será el flujo.</p>
<p>La bomba no se pone en marcha o se detiene durante el uso.</p>	<p>Se ha activado el interruptor de seguridad contra sobrecarga térmica</p>	<p>Desconecte de la red eléctrica, deje 5 minutos y limpie la manguera de aspiración, la válvula de aspiración, el prefiltro o la bomba</p>
<p>La bomba se apaga después de un breve período de funcionamiento</p>	<p>Se ha desconectado la corriente</p> <p>Agua demasiado caliente</p>	<p>Compruebe los fusibles y las conexiones eléctricas</p> <p>Compruebe que la temperatura del agua no supere el máximo de 35 °C</p>

MEDIOAMBIENTE



Los aparatos eléctricos o electrónicos defectuosos y/o desechados deben recogerse en lugares de reciclado apropiado.

Los aparatos eléctricos o electrónicos

Defectuosos y/o desechados deben recogerse en lugares de reciclado apropiado. Solo para países de la Comunidad Europea No elimine las herramientas eléctricas como residuos domésticos. De acuerdo con la Directiva europea 2012/19/CE sobre residuos de aparatos eléctricos y electrónicos, y su transposición a las legislaciones nacionales, las herramientas eléctricas que ya no se utilizan deben recogerse por separado y eliminarse en modo ecológico.

CONDICIONES DE GARANTÍA

Los productos VONROC han sido desarrollados con los más altos estándares de calidad y VONROC garantiza que están exentos de defectos relacionados con los materiales y la fabricación durante el periodo legalmente estipulado, a contar desde la fecha de compra original. En caso de que el producto presente defectos relacionados con los materiales y/o la fabricación durante este periodo, póngase directamente en contacto VONROC.

La presente garantía se excluye en los siguientes casos:

- Si centros de servicios no autorizados han realizado o han intentado realizar reparaciones y/o alteraciones a la máquina.
- Si se ha producido un desgaste normal.
- Si la herramienta ha sido mal tratada o usada en modo impropio, o se ha realizado incorrectamente su mantenimiento.
- Si se han utilizado piezas de repuesto no originales.

La presente constituye la única garantía implícita y explícita que ofrece la compañía. No existen otras garantías explícitas o implícitas que excedan las citadas aquí, incluidas las garantías implícitas de comerciabilidad e idoneidad para una finalidad en especial. VONROC no será considerada responsable en ningún caso por daños incidentales o consecuentes. Los recursos a disposición de los

distribuidores se limitan a la reparación o a la sustitución de las unidades o piezas no conformes.

El producto y el manual de usuario están sujetos a variaciones. Las especificaciones pueden variar-se sin previo aviso.

1. ISTRUZIONI DI SICUREZZA

Leggere accuratamente gli avvisi di sicurezza, gli avvisi di sicurezza aggiuntivi e le istruzioni. La mancata osservanza degli avvisi di sicurezza e delle istruzioni potrebbe causare scosse elettriche, incendio e/o gravi lesioni. Mantenere gli avvisi di sicurezza e le istruzioni a portata di mano per future consultazioni.

I seguenti simboli sono utilizzati nel presente manuale utente o sul prodotto:



Leggere il manuale per l'utente.



Denota il rischio di lesioni personali, morte o danni all'utensile in caso di mancata osservanza delle istruzioni contenute nel presente manuale.



Indica il rischio di scossa elettrica.



Proteggere la macchina dal gelo.



Profondità max.



GP527AC: Livello di potenza sonora garantito LWA = 77 dB(A)



GP528AC: Livello di potenza sonora garantito LWA = 81 dB(A)



Non smaltire il prodotto in contenitori non idonei.



Il prodotto è conforme agli standard pertinenti in materia di sicurezza previsti dalla legislazione Europea.

NOTE DI SICUREZZA

QUESTA APPARECCHIATURA PUÒ ESSERE UTILIZZATA DA BAMBINI DA 8 ANNI NONCHÉ DA PERSONE CON CAPACITÀ FISICHE, SENSORIALI O MENTALI O DA MANCANZA DI ESPERIENZA, SE SI TROVANO SOTTO SORVEGLIANZA O ISTRUZIONE IN MERITO ALL'USO DELL'APPARECCHIATURA IN MODO SICURO E COMPRENDONO I RISCHI DEL CASO. ACCERTARSI CHE I BAMBINI NON GIOCHINO CON L'APPARECCHIATURA. LA PULIZIA E LA MANUTENZIONE UTENTE NON DEVE ESSERE ESEGUITA DA BAMBINI SENZA SUPERVISIONE. SE IL CAVO DI ALIMENTA-

ZIONE È DANNEGGIATO, DEVE ESSERE SOSTITUITO DAL COSTRUTTORE, DA UN SUO RAPPRESENTANTE ADDETTO ALL'ASSISTENZA O DA ALTRE PERSONE CON QUALIFICA SIMILARE AL FINE DI EVITARE RISCHI PER LA SICUREZZA. IL CAVO DEVE ESSERE ESTRATTO DALLA PRESA DI CORRENTE PRIMA DI PULIRE L'APPARECCHIO O SOTTOPORLO A MANUTENZIONE.

Prima di utilizzare questo apparecchio, leggere attentamente e a fondo queste istruzioni e conservarle per consultazione successiva. È molto importante comprendere come utilizzare questo apparecchio in sicurezza, pertanto invitiamo a prendersi il tempo necessario per acquisire familiarità con i requisiti descritti in queste istruzioni.

- Per qualsiasi dubbio sull'utilizzo di questo apparecchio, consigliamo vivamente di rivolgersi a un professionista in possesso delle competenze necessarie.
- Il connettore elettrico deve essere protetto da un interruttore differenziale salvavita (RCD) installato presso la presa di corrente, con una corrente di sgancio nominale di 30mA (max).
- Tenere i bambini e gli animali domestici a debita distanza dall'area di lavoro e non consentire mai ai bambini di utilizzare questo apparecchio o di toccare il cavo di prolunga. Quando non viene usato, conservare l'apparecchio in un luogo sicuro, fuori dalla portata dei bambini.
- Non lasciare mai l'apparecchio incustodito quando è acceso.
- Non tirare mai l'apparecchio dal cavo di alimentazione. Trasportarlo afferrandolo il manico di trasporto.
- Evitare di posare il cavo di alimentazione su oggetti affilati che potrebbero perforare l'isolamento esterno. Ispezionare visivamente il cavo di alimentazione prima dell'uso e, se dovesse essere danneggiato, farlo sostituire presso un centro di assistenza specializzato. Non utilizzare l'apparecchio se il cavo di alimentazione è danneggiato.
- Tenere il cavo di alimentazione lontano da calore, gelo, olio, solventi od oggetti e bordi appuntiti.
- I collegamenti elettrici, come per esempio il cavo di prolunga, devono essere sempre protetti dall'umidità.
- Controllare che la potenza nominale dell'apparecchio corrisponda a quella della rete elettrica. La tensione di alimentazione deve essere com-

presa tra 230 VAC.

- Non fare mai funzionare questo apparecchio a secco, fuori dall'acqua. Se l'apparecchio si surriscalda, il dispositivo termico di interruzione lo spegne. Se ciò dovesse accadere, attendere 5 minuti prima di utilizzare nuovamente l'apparecchio.
- Riaccendere di nuovo l'apparecchio solo con le mani asciutte.
- Non utilizzare mai questo apparecchio in uno stagno o in una piscina in presenza di persone in acqua!
- Non usare la pompa per l'acqua potabile.
- Sostanze corrosive, infiammabili o esplosive, grasso, olio, acqua salata e liquami non devono essere trasportati dalla pompa.
- Il pH dell'acqua deve essere compreso tra 6,5 e 8,5.
- La temperatura del liquido pompato non deve superare i 35 °C.

Sicurezza elettrica

Durante l'uso di macchine elettriche osservare sempre le norme di sicurezza del Vostro paese per ridurre il rischio di incendio, folgorazione, e lesioni personali. Leggere le seguenti istruzioni di sicurezza e anche quelle allegate.



Controllate sempre che il voltaggio della rete elettrica corrisponda a quello indicato sulla targhetta dati dell'apparecchio.

Collegamento alla rete elettrica

Controllare che la rete elettrica e la spina utilizzate siano conformi ai requisiti dell'apparecchio. Controllare la relativa targhetta di identificazione. Eventuali modifiche devono sempre essere effettuate da un elettricista qualificato.



Avvertenza! Questo apparecchio deve essere collegato a terra. In caso di collegamento a terra inappropriato, l'apparecchio può causare una scossa elettrica. Accertarsi che la presa di corrente sia dotata di messa a terra. In caso di dubbi farla controllare da un elettricista qualificato.



Avvertenza! Evitare il contatto con i terminali della spina quando si inserisce (si stacca) la spina alla (dalla) presa di corrente. Il contatto causerebbe una intensa scossa elettrica.

Sostituzione di cavi o prese

Se il cavo di alimentazione è danneggiato, deve essere sostituito dal costruttore, da un suo rappresentante addetto all'assistenza o da altre persone con qualifica simile al fine di evitare rischi per la sicurezza. Eliminare vecchi cavi o prese che sono stati sostituiti da nuovi. E' pericoloso inserire in una presa di corrente la spina di un cavo scoperto.

Uso di prolunghe

Usate solo prolunghe approvate adatte alla potenza d'ingresso della macchina. La dimensione minima del conduttore è 1,5 mm². Quando si usa una prolunga su un avvolgicavo, srotolarla completamente.

2. INFORMAZIONI RELATIVE ALL'ELETTROUTENSILE

La pompa automatica è destinata all'uso privato per l'approvvigionamento idrico domestico e l'irrigazione di giardini e non per finalità commerciali. Non usarla per pompare sostanze esplosive, corrosive o infiammabili, grasso, olio, acqua salata e liquami.

Essa è concepita esclusivamente per pompare acqua piovana e acqua pulita. La dimensione delle particelle dei solidi contenuti nell'acqua non deve superare la dimensione delle particelle massima indicata nei Dati tecnici.

Questa pompa non è concepita per il funzionamento continuo (ad esempio come le pompe di ricircolo per piscine o stagni).

DATI TECNICI

Codice modello	GP527AC	GP528AC
Alloggiamento della pompa	Plastica	Acciaio inossidabile
Tensione	230 VAC / 50 Hz	
Potenza assorbita	800 W	1000 W
Portata max. (Fig. C)	3300 l/h	3500 l/h
Pressione max.	4 bar	4,4 bar
Altezza di pompaggio max (Fig. C)	40 m	44 m
Altezza massima di aspirazione auto adescante	8 m	

Dimensione max. particelle	1 mm (acqua pulita)	
Pressione di accensione	1,5-2,5 bar	
Pressione all'accensione predefinita	1,5 bar	
Protezione da funzionamento a secco	Sì	
Manometro	Sì	
Valvola di non ritorno (pressostato)	Sì	
Temperatura dell'acqua max.	35 °C	
Grado di protezione	IPX4	
Raccordo di mandata (pressostato)	Filettatura interna G1"	
Raccordo di aspirazione	Filettatura interna G1"	
Diametro interno tubo consigliato (tubo di aspirazione)	25 mm, 32 mm, 38 mm	
Lunghezza del cavo	1,2 m	
Peso	6,86 kg	7,24 kg
Livello di pressione sonora LpA	62,6 dB(A) K = 2,22 dB(A)	66,2 dB(A) K = 2,66 dB(A)
Livello di potenza sonora LwA	74,5 dB(A) K = 2,22 dB(A)	78,1 dB(A) K = 2,66 dB(A)

DESCRIZIONE

I numeri che compaiono nel testo si riferiscono ai disegni riportati alle pagine 2-7.

1. Interruttore di accensione/spegnimento
2. Tappo di scarico
3. Ingresso dell'acqua (pompa)
4. Valvola di fondo/di non ritorno (non in dotazione)
5. Tappo di riempimento
6. Uscita dell'acqua (pompa)
7. Manico di trasporto
8. Tubo di aspirazione (non in dotazione)
9. Ingresso dell'acqua (pressostato)
10. Uscita dell'acqua (pressostato)
11. Manometro
12. Pulsante Reset
13. LED di alimentazione
14. LED di gusto

15. LED di accensione
16. Vite di regolazione della pressione

3. MONTAGGIO



Prima di eseguire qualsiasi lavoro sulla pompa, scollegare la spina dalla presa di corrente.

Fissaggio del manico (Fig. D)

1. Collocare il manico (7) sulla pompa, come illustrato nella Figura D.
2. Fissare il manico (7) serrando le due viti.

Installazione del pressostato (Fig. E)

1. Avvitare l'accoppiamento nell'uscita della pompa (6), come mostrato nella figura E1.
2. Avvitare il raccordo di ingresso dell'acqua (9) nell'accoppiamento, come mostrato nella Figura E2.

Installazione della pompa (Fig. G)

Installare la pompa in un ambiente ventilato e asciutto. È possibile installarla all'aperto, purché sia adeguatamente protetta dalla pioggia e dal vento. Assicurarsi che sia posta su un fondo orizzontale e stabile. Sistemare sempre la pompa da giardino in un punto più alto rispetto alla superficie dell'acqua, come illustrato nella Figura G.

Collegamento del tubo di aspirazione (Fig. A, F, G)



Non utilizzare raccordi per sistemi di collegamento di tubi flessibili o tubi d'acqua standard sul lato di aspirazione! È necessario usare un tubo di aspirazione (8) flessibile con un raccordo adatto (con filettatura esterna G1") e una valvola di fondo (4). La valvola di fondo (4) impedisce il riflusso dell'acqua al termine del processo di pompaggio.



Per ottenere la portata massima occorre usare un tubo di aspirazione (8) flessibile con diametro interno di 25 mm, 32 mm o 38 mm.



Il tubo di aspirazione (8) dovrà essere il più corto possibile.

1. Togliere il cappuccio di protezione dal raccordo di ingresso dell'acqua.
2. Riempire il tubo di aspirazione (8) con acqua del rubinetto pulita, come illustrato nella Figura F.

3. Applicare del nastro sigillante per filettature (nastro in Teflon) sul raccordo filettato del tubo di aspirazione.
4. Avvitare il raccordo del tubo di aspirazione a tenuta d'aria all'ingresso dell'acqua (3).
5. La valvola di fondo (4) deve essere posizionata verticalmente e ad almeno 30 cm dal fondo dell'acqua per evitare l'aspirazione di sabbia e sassi, come illustrato nella Figura E.

Collegamento del tubo di uscita (Fig. B)



Più grande e il diametro del tubo e del rispettivo raccordo, maggiore e la portata.



Più bassa e l'altezza di mandata, maggiore e la portata.

1. Decidere il diametro dei tubi e i raccordi per il sistema di collegamento dei tubi che si intende utilizzare.
2. Applicare del nastro sigillante per filettature (nastro in Teflon) sul raccordo di uscita dell'acqua (10).
3. Avvitare il raccordo (non in dotazione) all'uscita dell'acqua (10).
4. Collegare il tubo (non in dotazione) al raccordo.
5. Controllare che il tubo non presenti imperfezioni.

Riempimento della pompa con l'acqua (Fig. A, H)

1. Svitare e rimuovere il tappo di riempimento dell'acqua (5).
2. Riempire la pompa con acqua di rubinetto pulita, come mostrato nella Figura H, senza superare il livello massimo di riempimento.
3. Riposizionare il tappo di riempimento (5) senza serrarlo eccessivamente.

4. USO



Non utilizzare mai questa pompa in uno stagno o in una piscina in presenza di persone in acqua!



Accendere e spegnere la pompa solo con le mani asciutte.



Non mettere mai in funzione la pompa prima di avere riempito di acqua il tubo di aspirazione (8).



Pulire la valvola di fondo e il pre-filtro (entrambi non in dotazione) a intervalli regolari, controllando inoltre che non presentino danni. In caso contrario potrebbero non funzionare.

Accensione / spegnimento (Fig.A)

1. Prima di collegare il pressostato alla corrente, controllare che l'interruttore di accensione/spegnimento (1) della pompa sia nella posizione di spegnimento "O".
2. Spostare l'interruttore di accensione/spegnimento (1) della pompa nella posizione "I" per accendere la pompa.
3. Con il pressostato è possibile controllare automaticamente il funzionamento di una pompa da giardino. Aprire il rubinetto o la pistola a spruzzo collegati per avviare la pompa. All'avvio della pompa, in un primo momento ci sarà molta aria nell'acqua. Non si tratta di un difetto della pompa. Questo serve ad espellere l'aria dall'apparecchio. Quando la pompa viene usata per la prima volta possono trascorrere diversi minuti prima che l'aria sia espulsa.
4. Chiudendo il rubinetto o la pistola a spruzzo collegati, la pompa smette automaticamente di pompare.
5. Spostare l'interruttore di accensione/spegnimento (1) della pompa nella posizione "O" per spegnere la pompa.

Sul pressostato sono presenti 3 indicatori a LED (13, 14, 15) che mostrano il suo stato operativo:

Indicatori a LED	Stato operativo
LED di alimentazione (13)	Il pressostato è collegato alla rete elettrica. Il pressostato è pronto per l'uso.
LED di guasto (14)	La pompa sta funzionando a secco senz'acqua. Il dispositivo di sicurezza in caso di funzionamento a secco è attivato. Consultare il manuale d'uso della pompa per individuare la causa del problema e risolverlo. Successivamente, riavviare la pompa premendo il pulsante di ripristino Reset (12) sul pressostato.
LED di accensione (15)	La pompa è in funzione.

Letture della pressione (Fig. B)

La pressione del tubo può essere letta sul manometro (11). La scala nera indica la pressione in bar.

Impostazione della pressione di accensione (Fig. A,B)

La pressione di accensione predefinita è di 1,5 bar. La pressione di accensione può essere regolata a un valore compreso tra 1,5 bar e 2,5 bar.

È possibile impostare la pressione di accensione tramite la vite di regolazione della pressione (16). Ad ogni giro di 360° la pressione di accensione diminuisce o aumenta di circa 0,2 bar.

- Ruotando in senso orario la pressione viene aumentata.
- Ruotando in senso antiorario la pressione viene ridotta.

Conclusione del lavoro (Fig. A, I)



Non toccare la pompa finché non saranno trascorsi almeno 5 minuti da quando è stata spenta.



In presenza di rischio di gelo o se non si utilizza la pompa per un lungo periodo, riporla in maniera adeguata.

1. Assicurarsi che l'interruttore di accensione/spegnimento (1) sia nella posizione "O".
2. Scollegare la spina dalla presa di corrente.
3. Svitare e rimuovere il tappo di scarico dell'acqua (2). Lasciare scaricare l'acqua.
4. Alzare il tubo di aspirazione (fare attenzione, perché è pieno d'acqua).
5. Svitare il tubo di aspirazione (8) dall'ingresso dell'acqua (3).
6. Rimuovere il filtro e la valvola di fondo (4), poi sciacquare con acqua pulita. Assicurarsi che non ci sia più acqua nel tubo di aspirazione (8).
7. Staccare il tubo dell'acqua dall'uscita dell'acqua (10). Svitare il raccordo dall'uscita dell'acqua (10).
8. Riposizionare il tappo di scarico (2), senza serrarlo eccessivamente.
9. Pulire e riporre la pompa (vedere la Sezione "Manutenzione")

5. MANUTENZIONE



Prima di eseguire qualsiasi operazione di pulizia e intervento di manutenzione spegnere sempre l'elettrotensile e staccare la spina dalla presa di corrente.

Pulire regolarmente il corpo dell'elettrotensile con un panno morbido, preferibilmente dopo ogni uso. Rimuovere lo sporco particolarmente ostinato con un panno morbido inumidito con acqua e sapone. Non utilizzare solventi come benzina, alcol, ammoniaca, ecc. Le sostanze chimiche di questo tipo danneggiano i componenti sintetici.

Se l'apparecchio dovesse apparire bloccato, staccare la corrente dall'impianto elettrico, scollegare la spina dalla presa elettrica e controllare che non vi siano ostruzioni nella macchina. Pulire il tubo di aspirazione, la valvola di fondo, il pre-filtro e la pompa.

CONSERVAZIONE E PROTEZIONE DAL GELO

Se l'acqua non viene scaricata completamente dalla pompa da giardino e dai relativi accessori, un'eventuale esposizione al gelo può causare danni gravissimi. Svuotare completamente la pompa da giardino e gli accessori dall'acqua e proteggerli dal gelo.

Conservare la pompa in un ambiente asciutto e ben ventilato, in cui la temperatura non scenda al di sotto di +5 °C.

Quando non viene usato, conservare l'apparecchio in un luogo sicuro, fuori dalla portata dei bambini.

GUIDA PER LA RISOLUZIONE DEI PROBLEMI

Problema	Causa	Soluzione
La pompa non si avvia	Alimentazione di rete assente	Controllare l'alimentazione di rete
	Pompa non accesa	Accendere la pompa
	Il LED di guasto è illuminato	Premere il pulsante Reset
	Pressione della pompa insufficiente	Verificare che la pressione della pompa sia superiore di 0,8 bar alla pressione di avvio del pressostato
	La pressione di accensione impostata è troppo bassa	Ruotando la vite di regolazione della pressione in senso orario, la pressione di accensione aumenterà
La pompa è attiva, ma non viene erogata acqua (dopo essere stata avviata per più di 5 minuti)	Il dispositivo di sicurezza in caso di funzionamento a secco si è attivato perché la pressione di accensione impostata è troppo alta	Ruotando la vite di regolazione della pressione in senso anti-orario, la pressione di accensione diminuirà
	La pompa non è completamente piena d'acqua	Riempire nuovamente la pompa con l'acqua e controllare la valvola di fondo del tubo di aspirazione
	È presente aria nel tubo di aspirazione	Controllare la tenuta dei vari giunti del tubo di aspirazione
Il livello dell'acqua è troppo basso	Il livello dell'acqua è troppo basso	Regolare l'altezza di installazione della pompa (< 8 m)
	Il tubo di aspirazione, la valvola di fondo, il pre-filtro o la pompa è bloccato/a	Pulire il tubo di aspirazione, la valvola di fondo, il pre-filtro o la pompa

La pompa si avvia e si ferma di continuo	La pressione di accensione impostata è troppo alta	Ruotando la vite di regolazione della pressione in senso anti-orario, la pressione di accensione diminuirà
Pressione insufficiente	Tipo di pompa non corretto	Scegliere una pompa adatta Per ottenere la portata massima occorre usare un tubo di aspirazione flessibile con diametro interno di 25 mm, 32 mm o 38 mm. Accorciare il tubo di aspirazione
	Il tubo di aspirazione è troppo lungo o ha troppe curvature; il diametro del tubo di aspirazione scelto non è adatto	
	Il tubo di aspirazione, la valvola di fondo, il pre-filtro o la pompa è bloccato/a	Pulire il tubo di aspirazione, la valvola di fondo, il pre-filtro o la pompa
	Il tubo di uscita non è corretto oppure non è installato correttamente	Controllare il tubo di uscita e i raccordi. Più grande è il diametro del tubo e del rispettivo raccordo, maggiore è la portata. Più bassa è l'altezza di mandata, maggiore è la portata.
La pompa non si avvia e non si ferma durante l'uso.	Si è attivato il dispositivo termico di interruzione per sovraccarico	Scollegare la presa della pompa dalla presa di corrente, attendere 5 minuti e pulire il tubo di aspirazione, la valvola di fondo, il pre-filtro o la pompa
La pompa si spegne dopo brevi intervalli di funzionamento	È saltata la corrente	Controllare i fusibili e i collegamenti elettrici
	Acqua troppo calda	Assicurarsi che la temperatura dell'acqua non sia oltre il valore massimo di 35 °C

RISPETTO AMBIENTALE



Se si prevede che la macchina non verrà usata per molto tempo si consiglia di conservare le batterie cariche.

Solo per i Paesi CE

Non smaltire gli elettrodomestici insieme ai rifiuti domestici. Secondo la Direttiva europea 2012/19/EC sui rifiuti delle apparecchiature elettriche ed elettroniche e relativa implementazione nelle normative locali, gli elettrodomestici ormai inutilizzabili devono essere raccolti separatamente e smaltiti in modo ecologico.

DEFINIZIONI DELLA GARANZIA

I prodotti VONROC sono sviluppati secondo i più elevati standard di qualità e viene garantita l'assenza di difetti nei materiali e nella manodopera per il periodo contrattuale a partire dalla data di acquisto originale. Qualora il prodotto dovesse subire un guasto qualsiasi durante questo periodo a causa di difetti nei materiali e/o nella manodopera, si prega di contattare direttamente il VONROC.

Le seguenti circostanze sono escluse da questa garanzia:

- Riparazioni e/o modifiche alla macchina sono state eseguite o tentate da centri di assistenza non autorizzati.
- Normale usura.
- L'utensile è stato abusato, utilizzato o manutenu-
to in modo improprio.
- Sono state utilizzate parti di ricambio non originali.

Ciò costituisce l'unica garanzia espressa o implicita fornita dall'azienda. Non esistono altre garanzie espresse o implicite che si estendono oltre il presente documento, ivi comprese le garanzie implicite di commerciabilità e idoneità per uno scopo particolare. In nessun caso VONROC sarà responsabile di eventuali danni incidentali o consequenziali. I rimedi dei rivenditori saranno limitati alla riparazione o sostituzione di unità o parti non conformi.

Il prodotto e il manuale per l'utente sono soggetti a modifiche. I dati tecnici possono essere modificati senza ulteriore notifica.

1. SÄKERHETSFÖRESKRIFTER

Läs de medföljande säkerhetsvarningarna, de tillkommande säkerhetsvarningarna och anvisningarna. Om inte säkerhetsvarningarna och anvisningarna följs kan detta orsaka elstötar, brand och/eller allvarliga kroppsskador. Behåll säkerhetsvarningarna och anvisningarna för framtida bruk.

Följande symboler används i bruksanvisningen eller på produkten:



Läs igenom bruksanvisningen.



Anger risk för personskada, dödsfall eller skada på verktyget om anvisningarna i denna handbok inte följs.



Anger risk för elektrisk stöt.



Skydda apparaten mot frost.



8 m Max djup.



GP527AC: Garanterad ljudeffektnivå
LWA = 77 dB(A)



GP528AC: Garanterad ljudeffektnivå
LWA = 81 dB(A)



Släng inte produkten i olämpliga behållare.



Produkten är i överensstämmelse med tillämpliga säkerhetsstandarder i EU-direktiven.

SÄKERHETSANVISNINGAR

DENNA APPARAT KAN ANVÄNDAS AV BARN FRÅN 8 ÅR OCH PERSONER MED NEDSATT FYSISK ELLER PSYKISK FÖRMÅGA ELLER BRISTANDE ERFARENHET ELLER KUNSKAP, OM DE ÖVERVAKAS ELLER FÅR INSTRUKTIONER OM HUR APPARATEN ANVÄNDS PÅ ETT SÄKERT SÄTT OCH ÄR MEDVETNA OM RISKERNA. BARN FÅR INTE LEKA MED APPARATEN. RENGÖRING OCH ANVÄNDARUNDERHÅLL SKA INTE UTFÖRAS AV BARN UTAN ÖVERVAKNING. OM EN STRÖMSLADD ÄR SKADAD MÅSTE DEN BYTAS AV TILLVERKAREN, TILLVERKARENS SERVICEOMBUD ELLER LIKNANDE KVALIFICERAD PERSONAL FÖR ATT UNDVIKA FARA. KONTAKTEN MÅSTE DRAS UT UR ELUTTAGET INNAN APPARATEN RENGÖRS ELLER UNDERHÅLLS.

Läs dessa instruktioner noggrant innan du använder apparaten och förvara dem för framtida referens. Det är mycket viktigt att du förstår hur du använder apparaten på ett säkert sätt, så ta dig tid att bekanta dig med kraven som beskrivs i dessa instruktioner.

- Om du är osäker på något sätt när det gäller att använda denna apparat, rekommenderar vi starkt att du anlitar en lämplig kvalificerad person.
- Elektrisk anslutning måste skyddas av en jordfelsbrytare (RCD) i eluttaget med en nominell utlösningsström på 30 mA (max).
- Håll barn och husdjur långt borta från arbetsområdet och låt aldrig barn använda apparaten eller vidröra förlängningsladdan. När det inte används bör redskapet förvaras utom räckhåll för barn på en säker plats.
- Lämna aldrig apparaten utan uppsikt när den används.
- Dra aldrig apparaten i elsladden. Bär den med bärhandtaget.
- Låt inte elsladden ligga på eller över vassa föremål som kan sticka igenom den yttre isoleringen. Inspektera visuellt elsladden innan användning och, om den är skadad, byt den hos ett specialiserat servicecenter. Använd inte apparaten om sladden är skadad.
- Håll sladden borta från värme, frost, olja, lösningsmedel eller vassa föremål eller kanter.
- Elektriska anslutningar, t ex förlängningskabel, måste alltid skyddas mot fukt.
- Kontrollera att effektnivån på din apparat överensstämmer med elnätet. Matningsspänningen måste vara 230VAC.
- Kör aldrig apparaten torr utan vatten. Om apparaten överhettas stänger den termiska urkopplingen av den. Om detta händer, vänta fem minuter innan du använder apparaten igen.
- Slå bara på strömmen igen med torra händer.
- Använd aldrig apparaten i en damm eller pool när någon är i vattnet!
- Använd inte pumpen för dricksvatten.
- Frätande, brandfarliga eller explosiva ämnen, fett, olja, saltvatten och avlopp får inte transporteras av pumpen.
- Vattnets pH måste vara mellan 6,5 och 8,5.
- Temperaturen på den transporterade vätskan får inte överstiga 35 °C.

Elsäkerhet

När du använder elektriska maskiner beakta alltid de gällande säkerhetsbestämmelserna i ditt land för att reducera elfara, elektriska stötar och personsador. Läs de följande säkerhetsanvisningarna och också de bifogade säkerhetsanvisningarna.



Kontrollera alltid att energitillförseln motsvarar spänningen på märkplåten.

Anslutning till strömförsörjning

Kontrollera att strömförsörjningen och kontakten används i enlighet med din maskin. Ta en titt på typskylten på maskinen. Alla ändringar ska utföras av en behörig elektriker.



Varning! Denna maskin måste jordas. Om maskinen inte är ordentligt jordad kan den orsaka elstötar. Se till att eluttaget är jordat. Vid tveksamheter, kontrollera det med hjälp av en behörig elektriker.



Varning! Undvik kontakt med terminalerna på kontakten när du sätter i (eller tar bort) kontakten i (från) eluttaget. Beröring kommer att orsaka allvarliga elektriska stötar.

Byte av kablar och stickproppar

Om en strömledare är skadad måste den bytas av tillverkaren, tillverkarens serviceombud eller liknande kvalificerad personal för att undvika fara. Kasta omgående gamla kablar eller stickkontakter som har ersatts med nya. Det är farligt att sticka in stickkontakten av en lös kabel i vägguttaget.

Användning av kabelförlängningar

Använd enbart godkända kabelförlängningar passande för maskinens ineffekt. Min. ledarestorlek är 1.5 mm². När du använder kabelrulle linda alltid av rullen helt.

2. MASKININFORMATION

Den automatiska pumpen är avsedd för privat bruk för vattenförsörjning i hemmet och bevatning av trädgårdar, den är inte avsedd för kommersiellt bruk. Explosiva, frätande eller brandfarliga ämnen, avlopp, saltvatten, fett och olja får inte transporteras av pumpen.

Det är enbart avsett för pumpning av rent vatten och regnvatten. Partikelstorlekarna på fasta ämnen i vattnet får inte överstiga den maximala partikelstorlek som anges i tekniska data.

Denna pump är inte avsedd för kontinuerlig drift (t.ex. som en pool- eller dammcirkulationspump).

TEKNISKA SPECIFIKATIONER


Modell-nr	GP527AC	GP528AC
Pumphus	Plast	Rostfritt stål
Spänning	230 VAC / 50 Hz	
Ingångseffekt	800 W	1000 W
Max flödes hastighet (fig. C)	3300 l/h	3500 l/h
Max tryck	4 bar	4,4 bar
Max. pumphöjd (fig. C)	40 m	44 m
Max. självansugande sughöjd	8 m	
Max partikelstorlek	1 mm (rent vatten)	
Starttryck	1,5 -2,5 bar	
Standardstarttryck	1,5 bar	
Torrkörningsskydd	Ja	
Tryckmätare	Ja	
Återflödeshämmare (tryckvakt)	Ja	
Max vattentemperatur	35°C	
Skydd	IPX4	
Tryckanslutning (tryckvakt)	G1", innergånga	
Suganslutning	G1", innergånga	
Rekommenderad inre slang diameter (sugslang)	25 mm, 32 mm, 38 mm	
Kabellängd	1,2 m	
Vikt	6,86 kg	7,24 kg
Ljudtrycknivå L _{PA}	62,6 dB(A) K = 2,22 dB(A)	66,2 dB(A) K = 2,66 dB(A)
Ljudeffektnivå L _{WA}	74,5 dB(A) K = 2,22 dB(A)	78,1 dB(A) K = 2,66 dB(A)

BESKRIVNING

Siffrorna i texten hänvisar till diagrammen på sidorna 2-7.

1. Strömbrytare
2. Avtappningsplugg
3. Vatteninlopp (pump)
4. Fotventil/återflödeshämmare (ingår ej)
5. Påfyllningsplugg
6. Vattenutlopp (pump)
7. Bärhandtag
8. Sugslang (ingår ej)
9. Vatteninlopp (tryckvakt)
10. Vattenutlopp (tryckvakt)
11. Tryckmätare
12. Återställningsknapp
13. LED-ström
14. LED-fel
15. LED-på
16. Tryckinställningsskruv

3. MONTERING

 *Innan något arbete utförs på pumpen, dra ut stickkontakten ur vägguttaget.*

Montering av handtaget (fig. D)

1. Sätt på det främre handtaget (7) på pumpen, som visas i figur D.
2. Montera handtaget (7) genom att dra åt de två skruvarna.

Montera tryckvakten (fig E)

1. Skruva in kopplingen i pumputloppet (6), som visas på bild E1.
2. Skruva in vatteninloppsanslutningen (9) på kopplingen, som visas på bild E2.

Installera pumpen (fig. G)

Pumpen ska installeras i ventilerad och torr miljö. Den kan installeras utomhus, förutsatt att den har ordentligt skydd för att förhindra regn och vind. Se till att pumpen är placerad på plan och fast mark. Sätt alltid trädgårdspumpen vid en punkt som är högre än vattenytan, som visas på figur G.

Montera sugslangen (fig. A, F, G)



Använd inga slanganslutningssystem eller vanliga vattenslangar på sugsidan! En sugslang (8) med lämplig koppling (G1" utvändig gänga) och fotventil (4) måste användas. Fotventilen (4) förhindrar returflöde av vattnet vid slutet av pumpprocessen.



En 25 mm, 32 mm eller 38 mm (innerdiameter) sugslang (8) måste användas för att uppnå maximal flödes hastighet.



Sugslangen (8) ska vara så kort som möjligt.

1. Ta bort skyddslocket från vatteninloppsanslutningen.
2. Fyll sugslangen (8) med rent kranvatten, som visas i figur F.
3. Applicera trådtätningstejp (teflontejp) på den gängade sugslangkopplingen.
4. Skruva in sugslangens koppling lufttätt i vatteninloppet (3).
5. Fotventilen (4) måste placeras vertikalt och minst 30 cm från vattenbotten för att förhindra sugning av sand och stenar, som visas i figur G.

Montera utloppsslangen (fig. B)



Ju större slang och slanganslutningsdiameter, desto större flöde.



Ju lägre leveranshöjd, desto större flöde.

1. Bestäm vilken slangdiameter och slanganslutningssystemkopplingar du ska använda.
2. Applicera trådtätningstejp (teflontejp) på vattenutloppsanslutningen (10).
3. Skruva in kopplingen (ingår inte) på vattenutloppet (10).
4. Anslut slangen (ingår inte) till kopplingen.
5. Kontrollera att slangen inte har några veck.

Fyll pumpen med vatten (fig. A, H)

1. Skruva av och ta bort påfyllningspluggen (5).
2. Fyll pumpen med rent kranvatten, som visas på figur H. Fyll inte på pumpen för mycket.
3. Sätt tillbaka påfyllningspluggen (5), dra inte för hårt.

4. DRIFT



Använd aldrig pumpen i en damm eller pool när någon är i vattnet!



Slå bara på strömmen igen med torra händer.



Kör aldrig denna pump innan pumpen och sugslangen (8) är fylld med vatten.



Rengör fotventilen (ingår inte) och förfiltret (ingår inte) med jämna mellanrum och kontrollera att de inte är skadade. I annat fall kan dess funktion försämrats.

Påslagning/avstängning (fig. A)

1. Kontrollera att strömbrytaren (1) på pumpen är i läge "0" innan du ansluter maskinen till strömförsörjningen.
2. Flytta strömbrytaren (1) till läget "I" för att starta pumpen.
3. Med tryckvakten kan du automatiskt styra driften av en trädgårdspump. Öppna den anslutna kranen eller sprutpistolen för att starta pumpen. När du startar pumpen kommer det att bli mycket luft i vattnet först. Det här är inte en defekt på din pump utan tjänar till att ta bort luft från pumpen. Det kan ta flera minuter för luften att släppas ut när pumpen används för första gången.
4. När du stänger den anslutna kranen eller sprutpistolen slutar pumpen automatiskt att pumpa.
5. Flytta strömbrytaren (1) till läget "0" för att stänga av pumpen.

Tryckvakten har 3 LED-indikatorer (13, 14, 15) som indikerar tryckvaktens status:

LED-indikatorer	Driftstatus
LED-ström (13)	Tryckvakten är ansluten till strömförsörjningen. Tryckvakten är klar att användas.
LED-fel (14)	Pumpen går torr utan vatten. Torrkörningsssäkerheten är aktiverad. Använd pumpens bruksanvisning för att hitta orsaken till felet och åtgärda det. Starta sedan om pumpen genom att trycka på återställningsknappen (12) på tryckvakten.
LED-på (15)	Pumpen fungerar.

Avläsning av trycket (fig.B)

Rörtrycket kan avläsas på tryckmätaren (11). Den svarta skalan anger trycket i bar.

Inställning av påslagningstrycket (fig.A, B)

Standardtrycket är 1,5 bar. Påslagningstrycket kan justeras till ett värde mellan 1,5 bar till 2,5 bar.

Det är möjligt att ställa in inkopplingstrycket med hjälp av tryckinställningsskruven (16). Varje 360° sväng minskar eller ökar påslagningstrycket med ca. 0,2 bar.

- Genom att vrida medurs ökar trycket.
- Genom att vrida moturs minskas trycket.

Avsluta (fig. A, I)



Rör inte pumpen om den inte har varit avstängd i minst 5 minuter.



Om det finns risk för frost eller om du inte använder din pump på länge, förvara din pump ordentligt.

1. Se till att strömbrytare (1) är i läge "0".
2. Ta ut nätkontakten från elnätet.
3. Skruva av och ta bort avtappningspluggen (2). Låt vattnet rinna ut.
4. Dra upp sugslangen (var medveten om att den är full med vatten).
5. Skruva loss sugslangen (8) från vatteninloppet (3).
6. Ta bort filtret och fotventilen (4), skölj sedan med rent vatten. Se till att det inte finns vatten kvar i sugslangen (8).
7. Ta bort vattenslagen från vattenutloppet (10). Skruva loss kopplingen från vattenutloppet (10).
8. Sätt tillbaka avtappningspluggen (2), dra inte för hårt.
9. Rengör och förvara enheten (se "Underhåll").

5. UNDERHÅLL



Stäng alltid av maskinen och ta ut strömkontakten från strömkällan innan rengöring och underhåll.

Rengör maskinens hus regelbundet med en mjuk trasa, helst efter varje gång du använder maskinen. Ta bort mycket ihållande smuts med en mjuk trasa fuktad med tvållösning. Använd inte lösningsmedel som bensin, alkohol, ammoniak osv. Sådana kemikalier skadar de syntetiska komponenterna. Om apparaten verkar vara blockerad, koppla bort strömförsörjningen genom att ta ut kontakten ur eluttaget och kontrollera om det finns blockeringar i apparaten. Rengör sugslang, fotventil, förfilter och pump.

FÖRVARING OCH FROSTSKYDD

Trädgårdspumpen och tillbehör som inte är helt tömda kan förstöras av frost. Töm trädgårdspumpen och tillbehör helt och skydda dem mot frost. Förvara apparaten i väl ventilerade torra lokaler med en temperatur som inte understiger + 5 °C.

När det inte används bör redskapet förvaras utom räckhåll för barn på en torr och säker plats med god ventilation.

FELSÖKNINGSGUIDE

Problem	Orsak	Åtgärd
Pumpen startar inte	Ingen strömförsörjning	Kontrollera nätspänningen
	Pumpen slås inte på	Slå på pumpen
	LED-fel är på	Tryck på återställningsknappen
	Inte tillräckligt med pumptryck	Kontrollera att pumptrycket är 0,8 bar högre än starttrycket för tryckvakten
	Påslagningstrycket är för lågt inställt	Genom att vrida tryckinställningskruven medurs ökar påslagningstrycket
Pumpen är aktiv men inget vatten levereras (efter att ha körts i mer än 5 minuter)	Torrkörningssäkerheten aktiveras eftersom påslagningstrycket är inställt för högt	Genom att vrida tryckinställningskruven moturs reduceras påslagningstrycket
	Pumpen är inte helt fylld med vatten	Fyll på pumpen med vatten och kontrollera sugslangens fotventil
	Luft i sugslangen	Kontrollera tätningen av olika kopplingar i sugslangen
	Vattennivån är för låg	Justera pumpens installationshöjd (<8 m)
Pumpen startar och stoppar hela tiden	Sugslang, fotventil, förfilter eller pump är blockerad	Rengör sugslang, fotventil, förfilter eller pump
	Påslagningstrycket är för högt inställt	Genom att vrida tryckinställningskruven moturs reduceras påslagningstrycket

Otillräckligt tryck	Fel pumptyp	Välj lämplig pump
	Sugslangen är för lång eller med för många böjningar, sugslangens diameter väljs inte efter behov	En 25 mm, 32 mm eller 38 mm (innerdiameter) sugslang måste användas för att uppnå maximal flödes hastighet. Gör sugslangen kortare
	Sugslang, fotventil, förfilter eller pump är blockerad	Rengör sugslang, fotventil, förfilter eller pump
	Utloppsslangen är felaktig eller felaktigt installerad	Kontrollera utloppsslangen och anslutningarna. Ju större slangens diameter och slanganslutning är, desto större flöde. Ju lägre leveranshöjd, desto större flöde.
Pumpen startar inte eller stannar under användning.	Termisk säkerhetsbrytare för överbelastning har aktiverats	Koppla från strömförsörjningen, låt stå i 5 minuter och rengör sugslangen, fotventilen, förfiltret eller pumpen
Pumpen stängs av efter korta driftperioder	Strömmen har gått	Kontrollera säkringar och elektriska anslutningar
	Vattnet är för varmt	Se till att vattentemperaturen inte har överskridit maximalt 35°C

MILJÖ



Felaktig och/eller kasserad elektrisk eller elektronisk utrustning måste lämnas in på lämpliga återvinningsstationer.

Endast för EU-länder

Släng inte elverktyg i hushållsavfallet. Enligt det europeiska WEEE-direktivet 2012/19/EU för avfall från elektrisk och elektronisk utrustning och dess tillämpning nationellt ska elverktyg som inte längre kan användas samlas in separat och kasseras på ett miljövänligt sätt.

GARANTI

VONROC produkter är utvecklade enligt högsta kvalitetsstandard och garanteras vara utan defekter både vad gäller material och tillverkning under den period som stipuleras enligt lag med början från ursprungligt inköpsdatum. Om något fel uppstår på produkten under denna period på grund av material- och/eller tillverkningsfel skall VONROC kontaktas direkt.

Följande omständigheter exkluderas från denna garanti:

- Reparationer eller ändringar som gjorts eller försökt göras på maskinen av ett icke auktoriserat servicecenter.
- Normalt slitage.
- Verktyget har missbrukats, använts fel eller underhållits på felaktigt sätt.
- Icke-originalreservdelar har använts.

Detta utgör hela garantin från företaget, antingen uttryckt eller underförstått. Det finns inga andra garantier, uttalade eller underförstådda som gäller utöver ordalydelsen härav, häri, inklusive de uttalade garantierna för säljbarhet och lämplighet för ett särskilt syfte. Under inga omständigheter skall VONROC hållas ansvarig för några oförutsedda eller indirekta skador. Återförsäljarens åtgärder skall begränsas till reparation eller byte av felaktiga enheter eller delar.

Med förbehåll för ändringar i produkten och bruksanvisningen. Specifikationer kan ändras utan förvarning.

1. SIKKERHEDSANVISNINGER

Læs de medfølgende sikkerhedsadvarsler, de supplerende sikkerhedsadvarsler og instruktionerne. Såfremt sikkerhedsadvarsler og instruktioner ikke følges, kan dette medføre elektriske stød, brand og/eller alvorlige ulykker. Gem alle sikkerhedsadvarsler og instruktioner til fremtidig reference.

Følgende symboler anvendes i denne brugermanual eller på produktet:



Læs brugermanualen.



Angiver risiko for personskade, dødsfald eller beskadigelse af værktøjet i tilfælde af manglende overholdelse af anvisningerne i denne vejledning.



Indikerer farer for elektrisk stød.



Beskyt apparatet mod frost.



Maks. dybde.



GP527AC: Det garanterede lydeffektniveau LWA = 77 dB(A)



GP528AC: Det garanterede lydeffektniveau LWA = 81 dB(A)



Kassér ikke produktet i en forkert container.



Produktet overholder de gældende sikkerhedsstandarder i de europæiske direktiver.

SIKKERHEDSBEMÆRKNINGER

DETTE APPARAT KAN ANVENDES AF BØRN PÅ 8 ÅR OG DEROVER SAMT AF PERSONER MED NEDSATTE FYSISKE, SENSORISKE ELLER MENTALE EVNER ELLER MANGLENDE ERFARING OG VIDEN, HVIS DE HOLDES UNDER OPSYN ELLER HAR FÅET VEJLEDNING I AT BRUGE APPARATET PÅ EN SIKKER MÅDE OG FORSTÅR DE DERMED FORBUNDNE RISICI. BØRN MÅ IKKE LEGE MED APPARATET. RENGØRING OG BRUGERVEDLIGEHOJDELSE MÅ IKKE UDFØRES AF BØRN UDEN OPSYN. HVIS FORSYNINGSLEDNINGEN ER BESKADIGET, SKAL DEN UDSKIFTES AF PRODUCENTEN, DENS SERVICEAGENT ELLER LIGNENDE KVALIFICERTE PERSONER FOR AT UNDGÅ FARER. STIKKET SKAL

TRÆKKES UD AF STIKKONTAKTEN INDEN RENGØRING ELLER VEDLIGEHOJDELSE AF APPARATET.

Læs disse anvisninger grundigt og omhyggeligt, inden du bruger dette apparat, og gem dem til fremtidig reference. Det er meget vigtigt, at du forstår, hvordan dette apparat bruges på en sikker måde, og du bør derfor afsætte tid til at sætte dig ind i kravene, som angivet i disse anvisninger.

- Hvis du har nogen form for tvivl vedrørende brugen af dette apparat, anbefaler vi kraftigt, at du får en person med de passende kvalifikationer til det.
- Den elektriske forbindelse skal beskyttes af en fejlstrømsafbryder (RCD) i stikkontakten med en nominal udkoblingsstrøm på 30 mA (maks.).
- Hold børn og kæledyr på god afstand af arbejdsområdet, og lad aldrig børn anvende dette apparat eller på noget som helst tidspunkt røre ved forlængerledningen. Når det ikke er i brug, skal dette apparat opbevares et sikkert sted uden for børns rækkevidde.
- Lad aldrig apparatet være uden opsyn, når det er i brug.
- Træk aldrig i apparatet ved at holde i strømledningen. Bær det ved hjælp af bærehåndtaget.
- Lad aldrig strømledningen ligge på eller over skarpe genstande, der kan gennembore den udvendige isolering. Udfør et visuelt eftersyn af strømledningen før brug, og hvis den er beskadiget, skal den udskiftes af et særligt servicecenter. Brug ikke apparatet, hvis ledningen er beskadiget.
- Hold strømledningen væk fra varme, frost, olie, opløsningsmidler og skarpe genstande eller kanter.
- Elektriske forbindelser, f.eks. forlængerledning, skal altid beskyttes mod fugt.
- Kontrollér, at mærkeeffekten på dit apparat stemmer overens med mærkeeffekten ved din netforsyning. Forsyningsspændingen skal være 230VAC.
- Køb aldrig dette apparat tørt/uden for vandet. Hvis apparatet bliver overophedet, slukker termosikringen det. Hvis dette sker, skal du vente 5 minutter, før du bruger apparatet igen.
- Tænd kun for strømmen igen med tørre hænder.
- Brug aldrig dette apparat i en dam eller swimmingpool, mens der er folk til stede i vandet!
- Brug ikke pumpen til drikkevand.
- Korrosive, brandfarlige eller eksplosive stoffer, fedt, olie, saltvand og spildevand må ikke transporteres af pumpen.

- Vandets pH-værdi skal være mellem 6,5 og 8,5.
- Den transporterede væskes temperatur må ikke overstige 35 °C.

Elektrisk sikkerhed

Når man anvender elektriske maskiner, skal de gældende lokale forskrifter altid følges for at reducere risikoen for brand, elektrisk stød og personskader. Læs sikkerhedsforskrifterne nedenfor.



Kontroller altid, at strømforsyningen svarer til den spænding, der er angivet på typeskiltet.

Tilslutning til strømforsyningen

Kontrollér, at strømforsyningen og stikket er i overensstemmelse med din maskine. Kig på mærkepladen på maskinen. Eventuelle ændringer skal altid udføres af en kvalificeret elektriker.



Advarsel! Denne maskine skal forbindes til jord. Hvis denne maskine ikke forbindes korrekt til jord, kan det forårsage et elektrisk stød. Sørg for, at strømforsyningskontakten er forbundet til jord. Hvis du er i tvivl, bør du få det undersøgt af en kvalificeret tekniker.



Advarsel! Undgå kontakt med terminalerne på stikket, når du sætter (fjerner) stikket i (fra) strømforsyningskontakten. Kontakt vil forårsage et alvorligt elektrisk stød.

Udskiftning af kabler og stik

Hvis forsyningsledningen er beskadiget, skal den udskiftes af producenten, dens serviceagent eller lignende kvalificerede personer for at undgå farer. Smid straks gamle kabler eller stik ud, når de er blevet erstattet af nye. Det er farligt at sætte stikket på et løst kabel i stikkontakten.

Brug af forlængerledninger

Brug kun godkendte forlængerledninger, som passer til maskinens indgangseffekt. Mindste ledertykkelse er 1,5 mm². Hvis der anvendes en kabeltromle, skal kablet altid rulles helt ud.

2. MASKINOPLYSNINGER

Den automatiske pumpe er beregnet til privat brug til husholdningsvandforsyning og vanding af haver, og den er ikke beregnet til kommerciel brug. Eksplosive, korrosive, brandfarlige stoffer, spildevand, saltvand, fedt og olie må ikke transporteres af pumpen.

Den er udelukkende beregnet til pumpning af rent vand og regnvand. Partikelstørrelserne af de faste stoffer i vandet må ikke overstige den maksimale partikelstørrelse, der er specificeret i de tekniske data.

Denne pumpe er ikke designet til kontinuerlig drift (f.eks. som cirkulationspumpe til dam eller swimmingpool).

TEKNISKE SPECIFIKATIONER

Model nr.	GP527AC	GP528AC
Pumpehus	Plastik	Rustfrit stål
Spænding	230 VAC / 50 Hz	
Indgangseffekt	800 W	1000 W
Maks. strømningshastighed (fig. C)	3300 l/t	3500 l/t
Maks. tryk	4 bar	4,4 bar
Maks. pumpehøjde (fig. C)	40 m	44 m
Maks. selvspændende sugehøjde	8 m	
Maks. partikelstørrelse	1 mm (rent vand)	
Tilkoblingstryk	1,5-2,5 bar	
Standard tilkoblingstryk	1,5 bar	
Tørkøringsbeskyttelse	Ja	
Trykmåler	Ja	
Tilbagestrømningsspærre (trykkontakt)	Ja	
Maks. vandtemperatur	35°C	
Beskyttelse	IPX4	
Trykforbindelse (trykkontakt)	G1" indvendigt gevind	
Sugeforbindelse	G1" indvendigt gevind	
Anbefalet indvendig slangediameter (sugeslange)	25 mm, 32 mm, 38 mm	
Kabellængde	1,2 m	
Vægt	6,86 kg	7,24 kg

Lydtrykniveau L_{PA}	62,6 dB(A) K = 2,22 dB(A)	66,2 dB(A) K = 2,66 dB(A)
Lydeffektniveau L_{WA}	74,5 dB(A) K = 2,22 dB(A)	78,1 dB(A) K = 2,66 dB(A)

BESKRIVELSE

Tallene i teksten henviser til diagrammerne på side 2-7.

1. Tænd/sluk-kontakt
2. Drænprop
3. Vandindgang (pumpe)
4. Fodventil/tilbagestrømningsforebygger (medfølger ikke)
5. Fyldningsprop
6. Vandudgang (pumpe)
7. Bærehåndtag
8. Sugelang (medfølger ikke)
9. Vandindgang (trykkontakt)
10. Vandudgang (trykkontakt)
11. Trykmåler
12. Nulstillingsknap
13. LED-strøm
14. LED-fejl
15. LED-tændt
16. Trykindstillingsskrue

3. MONTERING



Før du udfører arbejde på pumpen, skal du tage netstikket ud af strømforsyningen.

Montering af håndtaget (fig. D)

1. Sæt håndtaget (7) på pumpen, som vist på figur D.
2. Monter håndtaget (7) ved at stramme de to skruer.

Installation af trykafbryderen (fig. E)

1. Skru koblingen ind i pumpeudgangen (6), som vist på figur E1.
2. Skru vandindgangens (9) forbindelse ind i koblingen, som vist på figur E2.

Installation af pumpen (fig. G)

Pumpen bør installeres i et ventileret og tørt miljø. Den kan installeres udenfor, forudsat at den har passende dækning for at forhindre regn og vind. Sørg for, at pumpen er placeret på et vandret og stabilt underlag. Opsæt altid havepumpen på et højere punkt end vandoverfladen, som vist på figur G.

Fastgørelse af sugeslangen (fig. A, F, G)



Brug ikke systemfittings til slangeforbindelser eller standard vandslanger på sugeslangen! Der skal anvendes et sugeslangesæt (8) med passende kobling (G1" eksternt gevind) og fodventil (4). Fodventilen (4) forhindrer, at vandet strømmer tilbage ved afslutningen af pumpeprocessen.



25 mm, 32 mm eller 38 mm (indvendig diameter) sugelang (8) skal anvendes for at opnå maksimal strømningshastighed.



Sugelang (8) bør være så kort som muligt.

1. Fjern beskyttelseshætten fra forbindelsen til vandindgangen.
2. Fyld sugelang (8) med rent vand fra hanen, som vist på figur F.
3. Påfør gevindforseglingstape (Teflon-tape) på den gevindskårne sugelangekobling.
4. Skru sugelangekoblingen lufttæt ind i vandindgangen (3).
5. Fodventilen (4) skal placeres lodret og mindst 30 cm fra vandbunden for at forhindre opsugning af sand og sten, som vist på figur G.

Fastgørelse af udgangsslangen (fig. B)



Jo større slange og slangekonnektordiameter, des større strømning.



Jo lavere leveringshøjde, des større strømning.

1. Beslut hvilken slangediameter og hvilke systemfittings til slangeforbindelser, du skal bruge.
2. Påfør gevindforseglingstape (Teflon-tape) på vandudgangens (10) forbindelse.
3. Skru koblingen (medfølger ikke) på vandudgangen (10).
4. Slut slangen (medfølger ikke) til koblingen.
5. Kontrollér, at slangen ikke har nogen knæk

Fyldning af pumpen med vand (fig. A, H)

1. Løsn og fjern fyldningsproppen (5).
2. Fyld pumpen med rent vand fra hanen, som vist på figur H. Overfyld ikke pumpen.
3. Sæt fyldningsproppen (5) på plads, og stram den ikke for meget.

4. BETJENING

Brug aldrig denne pumpe i en dam eller swimmingpool, mens der er folk til stede i vandet!



Tænd eller sluk kun for strømmen med tørre hænder.



Kør aldrig denne pumpe, før pumpen og sugeslangen (8) er fyldt med vand.



Rengør fodventilen (medfølger ikke) og forfilteret (medfølger ikke) med jævne mellemrum, og kontroller, om den er beskadiget. Ellers kan dens funktion blive forringet.

Tænd/sluk (fig. A)

1. Kontrollér, at pumpens tænd/sluk-kontakten (1) står i positionen 'O' inden du forbinder trykafbryderen til strømforsyningen.
2. Flyt pumpens tænd/sluk-kontakt (1) til positionen 'I' for at tænde pumpen.
3. Med trykafbryderen kan du automatisk styre havepumpens drift. Åbn den tilsluttede hane eller sprøjtepistol for at starte pumpen. Når du starter pumpen, er der først en masse luft i vandet. Dette er ikke en fejl i din pumpe, men har til hensigt at fjerne luft fra pumpen. Det kan tage adskillige minutter, før luften slipper ud, når pumpen bruges for første gang.
4. Når du lukker den tilsluttede hane eller sprøjtepistolen, holder pumpen automatisk op med at pumpe.
5. Flyt pumpens tænd/sluk-kontakt (1) til positionen 'I' for at slukke pumpen.

Trykafbryderen har 3 LED-indikatorer (13, 14, 15), som indikerer trykafbryderens status:

LED-indikatorer	Driftsstatus
LED-strøm (13)	Trykafbryderen er tilsluttet strømforsyningen. Trykafbryderen er klar til brug.
LED-fejl (14)	Pumpen kører tør uden vand. Tør-løbsbeskyttelsen er aktiveret. Brug pumpens betjeningsvejledning til at finde årsagen til fejlen og rette den. Genstart derefter pumpen ved at trykke på nulstillingsknappen (12) på trykafbryderen.
LED-fejl (15)	Pumpen er i drift.

Trykaf læsning (fig. B)

Rørtrykket kan aflæses på trykmåleren (11). Den sorte skala angiver trykket i bar.

Indstilling af tilkoblingstrykket (fig. A,B)

Standard tilkoblingstrykket er 1,5 bar. Tilkoblingstrykket kan justeres til en værdi mellem 1,5 bar til 2,5 bar.

Tilkoblingstrykket kan indstilles ved hjælp af trykindstillingsskruen (16). Hver 360° drejning reducerer eller øger tilkoblingstrykket med ca. 0,2 bar.

- Når den drejes med uret, øges trykket.
- Når den drejes mod uret, reduceres trykket.

Afslut drift (fig. A, I)

Rør ikke ved pumpen, medmindre den har været afbrudt i mindst 5 minutter.



Hvis der er risiko for frost, eller hvis du ikke bruger din pumpe i lang tid, skal du opbevare din pumpe korrekt.

1. Kontrollér, at tænd/sluk-kontakten (1) er i positionen 'O'.
2. Tag netstikket ud af kontakten.
3. Løsn og fjern drænproppen (2). Lad vandet blive drænet.
4. Træk sugeslangen op (vær opmærksom på, at den er fuld af vand).
5. Løsn sugeslangen (8) fra vandindgangen (3).
6. Fjern filteret og fodventilen (4), og skyl derefter med rent vand. Sørg for, at der ikke er vand tilbage i sugeslangen (8).
7. Fjern vandslangen fra vandudgangen (10). Løsn

- koblingen fra vandudgangen (10).
 8. Sæt drænproppen (2) på plads, og stram den ikke for meget.
 9. Rengør enheden og stil den til opbevaring (se 'Vedligeholdelse')

5. VEDLIGEHOLDELSE



Før rengøring og vedligeholdelse skal du altid slukke for maskinen og trække netstikket ud af kontakten.

Rengør maskinbeklædningerne regelmæssigt med en blød klud, helst efter hver anvendelse. Fjern snavs, der sidder meget godt fast, med en blød klud, der er fugtet i sæbevand. Brug ikke opløsningsmidler, som f.eks. benzin, sprit, ammoniak osv. Kemikalier som disse beskadiger de syntetiske komponenter.

Hvis apparatet lader til at være blokeret, skal du slukke for strømmen, tage stikket ud af kontakten og se apparatet efter for blokeringer. Rengør sugeslangen, fodventilen, forfilteret og pumpen.

OPBEVARING OG FROSTBESKYTTELSE

Havepumpen og tilbehør, der ikke drænes helt, kan blive ødelagt af frost. Dræn havepumpen og tilbehøret fuldstændigt, og beskyt dem mod frost.

Opbevar dette apparat på et tørt sted med god udluftning og en temperatur, der ikke kommer ned under +5 °C.

Når det ikke er i brug, skal dette apparat opbevares et sikkert sted uden for børns rækkevidde.

VEJLEDNING TIL FEJLFINDING

Problem	Årsag	Løsning
Pumpe starter ikke	Ingen netforsyning	Kontrollér netforsyning
	Pumpe er ikke tændt	Tænd for Pumpe
	LED-fejl er tændt	Tryk på nulstillingsknappen
	Ikke nok pumpetryk	Kontroller, at pumpetrykket er 0,8 bar højere end afbryderens starttryk
	Tilkoblingstrykket er indstillet for lavt	Når trykindstillingskruen drejes med uret, øges tilkoblingstrykket
	Tørløbsbeskyttelsen er aktiveret, fordi tilkoblingstrykket er indstillet for højt	Når trykindstillingskruen drejes mod uret, reduceres tilkoblingstrykket
Pumpen er aktiv, men der leveres ikke vand (efter den er blevet startet i mere end 5 minutter)	Pumpen er ikke helt fyldt med vand	Fyld igen pumpen med vand, og kontrollér sugeslangens fodventil
	Luft i sugeslangen	Kontrollér forseglingen af sugeslangens forskellige forbindelser
	Vandniveauet er for lavt	Juster pumpens installationshøjde (< 8 m)
	Sugeslangen, fodventilen, forfilteret eller pumpen er blokeret	Rengør sugeslangen, fodventilen, forfilteret eller pumpen
Pumpen starter og stopper konstant	Tilkoblingstrykket er indstillet for højt	Når trykindstillingskruen drejes mod uret, reduceres tilkoblingstrykket

Utilstrækkeligt tryk	<p>Utilstrækkelig pumpe</p> <p>Sugeslangen er for lang eller med for mange bøjninger, eller den rette sugeslangediameter er ikke valgt</p> <p>Sugeslangen, fodventilen, forfilteret eller pumpen er blokeret</p> <p>Udgangsslangen er forkert eller forkert installeret</p>	<p>Vælg en passende pumpe</p> <p>25 mm, 32 mm eller 38 mm (indvendig diameter) sugeslange skal anvendes for at opnå maksimal strømningshastighed. Gør sugeslangen kortere</p> <p>Rengør sugeslangen, fodventilen, forfilteret eller pumpen</p> <p>Kontrollér udgangsslangen og forbindelserne. Jo større slangediameter og slangeforbindelser, des større strømning. Jo lavere leveringshøjde, des større strømning.</p>
Pumpe starter eller stopper ikke under brug.	Sikkerhedsafbryder til termisk overbelastning er aktiveret	Afbryd strømforstyrrelsen, lad den stå i 5 minutter, og rengør sugeslangen, fodventilen, forfilteret eller pumpen
Pumpe slukket efter korte driftsperioder	<p>Strømmen er gået</p> <p>Vandet er for varmt</p>	<p>Kontrollér sikringer og el-forbindelser</p> <p>Sørg for, at vandtemperaturen ikke har overskredet den maksimale på 35°C</p>

GARANTI

VONROC produkter er udviklet efter de højeste kvalitetsstandarder og er garanteret fri for mangler i såvel materialer som udførelse i den lovpligtige periode, der starter fra datoen for det oprindelige køb. Skulle produktet udvikle nogen fejl i løbet af denne periode på grund af defekte materialer og/eller fabrikationsfejl, så kontakt VONROC direkte.

De følgende forhold er udelukket fra denne garanti:

- Reparationer og eller rettelser er blevet foretaget eller forsøgt foretaget på maskinen af uautoriserede servicecentre.
- Normal slitage.
- Værktøjet har været misligholdt, misbrugt eller vedligeholdt forkert.
- Ikke originale reservedele er blevet anvendt.

Dette udgør den eneste garanti fra virks omheden enten udtrykt eller underforstået. Der er ingen andre garantier udtrykt eller underforstået, som strækker sig ud over forsiden heraf, heri, herunder underforståede garantier for salgbarhed og egnethed til et bestemt formål. VONROC vil under ingen omstændigheder være ansvarlig for hændelige skader eller følgeskader. Forhandlernes afhjælpningsmidler vil være begrænsede til reparation eller udskiftning af fejlbehæftede enheder eller dele.

Produktet og brugermanualen kan ændres. Specifikationer kan ændres uden forudgående varsel.

MILJØ



Defekte og/eller bortskaffede elektriske og elektroniske apparater skal afleveres på en passende genbrugsstation.

Kun for EU-lande

Smid ikke el-værktøjer ud sammen med almindeligt affald. I henhold til de europæiske direktiver 2012/19/EU for elektrisk og elektronisk udstyr og er implementeret i henhold til nationale rettigheder, el-værktøj som ikke længere er anvendelig skal indsamles separat og genbruges på en miljøvenlig måde.

1. INSTRUKCJE BEZPIECZEŃSTWA

Przeczytać dołączone ostrzeżenia dotyczące bezpieczeństwa, dodatkowe ostrzeżenia dotyczące bezpieczeństwa oraz instrukcję. Nieprzestrzeganie ostrzeżeń dotyczących bezpieczeństwa oraz instrukcji może prowadzić do porażenia prądem, pożaru i/lub poważnych obrażeń ciała. Zachować ostrzeżenia dotyczące bezpieczeństwa oraz instrukcje na przyszłość.

Następujące symbole są umieszczone w instrukcji obsługi lub na produkcie:



Przeczytać instrukcję obsługi.



Oznacza ryzyko obrażeń ciała, śmierci lub uszkodzenia narzędzia w razie nieprzestrzegania poleceń z instrukcji.



Wskazuje na niebezpieczeństwo porażenia prądem elektrycznym.



Urządzenie chronić przed mrozem.



8 m

Maksymalna głębokość.



GP527AC: Gwarantowany poziom mocy akustycznej LWA = 77 dB(A)



GP528AC: Gwarantowany poziom mocy akustycznej LWA = 81 dB(A)



Nie wyrzucać produktu do nieodpowiednich pojemników.



Produkt spełnia wymogi odpowiednich norm bezpieczeństwa podanych w dyrektywach UE.

UWAGI DOTYCZĄCE BEZPIECZEŃSTWA

TO URZĄDZENIE MOŻE BYĆ UŻYWANE PRZEZ DZIECI W WIEKU OD 8 LAT I OSOBY Z OGRANICZONYMI ZDOLNOŚCIAMI FIZYCZNYMI, CZUCIOWYMI LUB UMYSŁOWYMI LUB NIEPOSIADAJĄCE DOŚWIADCZENIA I WIEDZY, JEŚLI ZNAJDUJĄ SIĘ ONE POD NADZOREM LUB ZOSTAŁY PRZESZKOLONE Z BEZPIECZNEGO UŻYTKOWANIA URZĄDZENIA I ROZUMIEJĄ ZWIĄZANE Z TYM ZAGROŻENIA. DZIECIOM NIE WOLNO POZWAŁAĆ BAWIĆ SIĘ URZĄDZENIEM. DZIECIOM BEZ NADZORU NIE WOLNO PRZEPROWADZAĆ CZYSZCZE-

NIĄ I KONSERWACJI URZĄDZENIA. JEŚLI PRZEWÓD ZASILANIA JEST USZKODZONY, MUSI GO WYMIENIĆ PRODUCENT, JEGO PRZEDSTAWICIEL SERWISOWY LUB PODOBNIIE, ODPOWIEDNIO WYKWALIFIKOWANA OSOBA, ABY UNIKNĄĆ ZAGROŻENIA. WTYCZKĘ NALEŻY WYJĄĆ Z GNIAZDKA PRZED ROZPOCZĘCIEM CZYSZCZENIA URZĄDZENIA LUB CZYNNOŚCI KONSERWACYJNYCH DOTYCZĄCYCH URZĄDZENIA.

Proszę uważnie przeczytać niniejszą instrukcję przed rozpoczęciem korzystania z tego urządzenia i zachować ją na przyszłość. Bardzo ważne jest zrozumienie bezpiecznego sposobu obsługi tego urządzenia, dlatego proszę poświęcić czas na zapoznanie się z wymogami opisanymi w tej instrukcji.

- W przypadku jakichkolwiek wątpliwości dotyczących obsługi urządzenia zalecamy skorzystanie z pomocy odpowiednio wykwalifikowanej osoby.
- Połączenie elektryczne musi być chronione wyłącznikiem różnicowoprądowym dla gniazda zasilania o znamionowym natężeniu uruchamiającym wynoszącym 30 mA (maks.).
- Nie pozwalać dzieciom i zwierzętom na zbliżanie się do miejsca pracy i nigdy nie pozwalać dzieciom na obsługiwanie tego urządzenia lub dotykanie przedłużacza. Kiedy urządzenie nie jest używane, przechowywać je poza zasięgiem dzieci.
- Przewód zasilający nie może leżeć na ostrych przedmiotach, które mogą przebić zewnętrzną izolację. Przed użyciem przewodu zasilającego i w przypadku jego uszkodzenia należy skontrolować przewód zasilający i w razie potrzeby poprosić o jego wymianę w specjalistycznym serwisie. Nie używać urządzenia, jeśli przewód jest uszkodzony.
- Chronić przewód zasilający przed gorącem, mrozem, olejami, rozpuszczalnikami i wszelkimi ostrymi krawędziami lub przedmiotami.
- Połączenia i przewody elektryczne, jak przedłużacz, należy stale chronić przed wilgocią.
- Sprawdzić, czy parametry zasilania podane na urządzeniu są zgodne z parametrami zasilania sieciowego. Napięcie zasilania musi wynosić 230VAC.
- Nigdy nie uruchamiać tego urządzenia na sucho, czyli niezanurzonego w wodzie. Jeśli urządzenie się przegrzeje, wyłącznik termiczny je wyłączy. Jeśli tak się stanie, odczekać 5 minut przed ponownym użyciem urządzenia.
- Włączać zasilanie z powrotem tylko suchymi

rękami.

- Nigdy nie używać tego urządzenia w stawie lub basenie, w którym znajdują się ludzie!
- Nie używać pompy do wody pitnej.
- Przy pomocy tej pompy nie wolno pompować substancji żrących, łatwopalnych ani wybuchowych, smarów, olejów, słonej wody ani ścieków.
- Wartość pH wody musi mieścić się w zakresie od 6,5 do 8,5.
- Temperatura pompowanej cieczy nie może przekraczać 35°C.

Bezpieczeństwo elektryczne

Pod czas wykorzystania urządzenia elektrycznego należy zawsze przestrzegać odpowiednie przepisy bezpieczeństwa, które są ważne w Waszym kraju w celu zmniejszenia ryzyka pożaru, porażenia prądem elektrycznym oraz zranienia personelu.



Sprawdzić, czy napięcie sieciowe jest zgodne z parametrami na tabliczce znamionowej.

Podłączanie do zasilania

Dopilnować, aby zasilanie i wtyczka były zgodne z urządzeniem. Zapoznać się z tabliczką znamionową umieszczoną na urządzeniu. Wszelkie modyfikacje może przeprowadzać wyłącznie wykwalifikowany elektryk.



Ostrzeżenie! To urządzenie musi być uziemione. Jeśli nie będzie prawidłowo uziemione, to urządzenie może spowodować porażenie prądem. Dopilnować, aby gniazdo zasilania było uziemione. W razie wątpliwości zlecić kontrolę wykwalifikowanemu elektrykowi.



Ostrzeżenie! Unikać dotykania bolców wtyczki podczas wkładania (wyjmowania) wtyczki do (z) gniazdka zasilania. Dotknięcie spowoduje silne porażenie prądem.

Wymiana przewodów lub wtyczek

Jeśli przewód sieciowy zostanie uszkodzony, należy go wymienić na specjalny przewód sieciowy dostępny u producenta lub w jego dziale obsługi klienta. Wyrzucić stare przewody i wtyczki zaraz po ich wymianie na nowe. Niebezpieczne jest wkładanie do gniazdka wtyczki przewodu, który nie jest podłączony do urządzenia.

W przypadku zastosowania przedłużacza

Należy stosować odpowiednie przedłużacze przystosowane do mocy urządzenia. Żyłki takiego kabla muszą mieć minimalny przekrój 1,5 mm². Jeśli kabel przedłużający jest nawinięty na bęben, należy go całkowicie rozwinąć.

2. INFORMACJE O MASZYNIE

Ta automatyczna pompa jest przeznaczona do użytku prywatnego w celu dostarczania wody i nawadniania ogrodów i nie jest przeznaczona do użytku komercyjnego. Przy pomocy tej pompy nie wolno pompować substancji żrących, łatwopalnych ani wybuchowych, smarów, olejów, słonej wody ani ścieków.

Pompa jest przeznaczona wyłącznie do pompowania wody czystej i deszczowej. Rozmiar cząstek stałych w wodzie nie może przekraczać maksymalnego rozmiaru cząstek podanego w danych technicznych.

Ta pompa nie jest przeznaczona do pracy ciągłej (np. jako pompa obiegowa w basenie lub stawie).

DANE TECHNICZNE

Nr modelu	GP527AC	GP528AC
Obudowa pompy	Tworzywo sztuczne	Stal nierdzewna
Napięcie	Prąd zmienny 230 V/50 Hz	
Moc wejściowa	800 W	1000 W
Maks. przepływ wody (rys. C)	3300 l/h	3500 l/h
Maks. ciśnienie	4 bary	4,4 bara
Maks. wysokość pompowania (rys. C)	40 m	44 m
Maksymalna wysokość ssania do automatycznego napełniania wstępnego	8 m	
Maks. rozmiar cząstki	1 mm (czysta woda)	
Ciśnienie włączania	1,5-2,5 bara	
Domyślne ciśnienie włączania	1,5 barów	
Ochrona przed uruchomieniem na sucho	Tak	
Manometr	Tak	
Zabezpieczenie przed przepływem wstępnym (regulator ciśnienia)	Tak	
Maks. temperatura wody	35°C	
Ochrona	IPX4	
Złącze ciśnieniowe (regulator ciśnienia)	Gwint wewnętrzny G1"	

Złącze ssawne	Gwint wewnętrzny G1"	
Zalecana wewnętrzna średnica węża (wąż ssawny)	25 mm, 32 mm, 38 mm	
Długość kabla	1,2 m	
Ciężar	6,86 kg	7,24 kg
Ciśnienie akustyczne L_{PA}	62,6 dB(A) K = 2,22 dB(A)	66,2 dB(A) K = 2,66 dB(A)
	74,5 dB(A) K = 2,22 dB(A)	78,1 dB(A) K = 2,66 dB(A)
Moc akustyczna L_{WA}	74,5 dB(A) K = 2,22 dB(A)	78,1 dB(A) K = 2,66 dB(A)
	74,5 dB(A) K = 2,22 dB(A)	78,1 dB(A) K = 2,66 dB(A)

OPIS

Liczby w tekście odnoszą się do rysunków na stronach 2-7.

1. Włącznik
2. Korek spustowy
3. Dopływ wody (pompa)
4. Zawór stopowy/zapobiegający przepływowi wstecznemu (nie dołączony)
5. Korek napełniania
6. Odpływ wody (pompa)
7. Rączka do przenoszenia
8. Wąż ssawny (nie dołączony)
9. Dopływ wody (regulator ciśnienia)
10. Odpływ wody (regulator ciśnienia)
11. Manometr
12. Przycisk resetowania
13. Dioda LED - zasilanie
14. Dioda LED - awaria
15. Dioda LED - włączony
16. Śruba do regulacji ciśnienia

3. MONTAŻ



Przed rozpoczęciem wykonywania jakichkolwiek prac dotyczących pompy, odłączyć wtyczkę zasilania od gniazda zasilania.

Montaż uchwytu (rys. D)

1. Założyć uchwyt (7) na pompę zgodnie z rysunkiem D.
2. Przymocować uchwyt (7), dokręcając dwie śruby.

Instalacja wyłącznika ciśnieniowego (rys. E)

1. Wkręcić złączkę w złącze odpływu pompy (6) zgodnie z rysunkiem E1.

2. Wkręcić złącze dopływu wody (9) w złączkę, zgodnie z rysunkiem E2.

Instalacja pompy (rys. G)

Pompę należy zainstalować w suchym otoczeniu z wentylacją. Pompę można zainstalować na wolnym powietrzu, pod warunkiem zapewnienia odpowiedniej osłony przed deszczem i wiatrem. Dopilnować, aby pompa została ustawiona na poziomym i stabilnym podłożu. Zawsze instalować pompę ogrodową w miejscu powyżej powierzchni wody zgodnie z rysunkiem G.

Podłączanie węża ssawnego (rys. A, F, G)



Nie używać żadnych złączek systemu podłączania węży ani standardowych węży do wody po stronie ssania! Należy zastosować wąż ssawny (8) wyposażony w odpowiednią złączkę (gwint zewnętrzny G1") oraz zawór stopowy (4). Zawór stopowy (4) zapobiega przepływowi wstecznemu podczas kończenia pompowania.



W celu uzyskania maksymalnego przepływu użyć węża ssawnego (8) o średnicy wewnętrznej 25 mm, 32 mm lub 38 mm.



Wąż ssawny (8) powinien być jak najkrótszy.

1. Zdemontować pokrywkę ochronną ze złącza dopływu wody.
2. Napełnić wąż ssawny (8) czystą wodą z kranu zgodnie z rysunkiem F.
3. Nakleić taśmę do uszczelniania gwintów (zawierającą Teflon) na złączkę gwintowaną węża ssawnego.
4. Wkręcić złączkę węża ssawnego w dopływ wody, aby uzyskać szczelne połączenie (3).
5. Zawór stopowy (4) należy umieścić pionowo i co najmniej 30 cm od dna zbiornika z wodą, aby zapobiegać zasysania piasku i kamieni, zgodnie z rysunkiem G.

Podłączanie węża odpływu (rys. B)



Im większa średnica węża i złącza węża, tym większy przepływ.



Im mniejsza wysokość pompowania, tym większy przepływ.

- Wybrać średnicę węża oraz złączki systemu podłączania węża do użycia.
- Nakleić taśmę do uszczelniania gwintów (zawierającą Teflon) na złącze odpływu wody (10).
- Nakręcić złączkę (nie dołączona) na odpływ wody (10).
- Podłączyć wąż (nie dołączony) do złączki.
- Sprawdzić, czy wąż nie jest zgięty.

Napełnianie pompy wodą (rys. A, H)

- Wykręcić i zdjąć korek napełniania (5).
- Napełnić pompę czystą wodą z kranu zgodnie z rysunkiem H. Nie przepelniać pompy.
- Wkręcić korek napełniania (5) na miejsce. Nie dokręcać za mocno.

4. OBSŁUGA



Nigdy nie używać pompy w stawie lub basenie, w którym znajdują się ludzie!



Włączać i wyłączać zasilanie tylko suchymi rękami.



Nigdy nie uruchamiać tej pompy przed napełnieniem pompy i węża ssawnego (8) wodą.



Regularnie czyścić zawór stopowy (nie dołączony) i filtr wstępny (nie dołączony) i sprawdzać je pod kątem uszkodzeń. W przeciwnym razie mogą nie działać prawidłowo.

Włączanie/wyłączenie (rys. A)

- Sprawdzić, czy włącznik pompy (1) znajduje się w położeniu „0” przed podłączeniem wyłącznika ciśnieniowego do zasilania.
- Przestawić włącznik pompy (1) w położenie „I”, aby włączyć pompę.
- Wyłącznik ciśnieniowy pozwala na automatyczne sterowanie pracą pompy ogrodowej. Otworzyć podłączony kran lub pistolet do podlewania, aby uruchomić pompę. Po uruchomieniu pompy początkowo w wodzie będzie znajdował się dużo powietrza. Nie oznacza to usterki pompy, tylko wskazuje na usuwanie z niej powietrza. Przy pierwszym użyciu pompy usunięcie powietrza może potrwać kilka minut.
- Po zamknięciu podłączonego kranu lub pistoletu do podlewania, pompa automatycznie przestanie pompować.

- Przestawić włącznik pompy (1) w położenie „0”, aby wyłączyć pompę.

Wyłącznik ciśnieniowy jest wyposażony w 3 diody LED (13, 14, 15), informujące o stanie wyłącznika:

Diody LED	Stan urządzenia
Dioda LED - zasilanie (13)	Wyłącznik ciśnieniowy jest podłączony do zasilania elektrycznego. Wyłącznik ciśnieniowy jest gotowy do użytku.
Dioda LED - awaria (14)	Pompa pracuje na sucho, czyli bez wody. Uruchomiło się zabezpieczenie przed pracą bez wody. Skorzystać z instrukcji obsługi pompy, aby odnaleźć przyczynę awarii i ją usunąć. Następnie ponownie uruchomić pompę, wciskając przycisk resetowania (12) na wyłączniku ciśnieniowym.
Dioda LED - włączony (15)	Pompa pracuje.

Odczytywanie ciśnienia (rys. B)

Ciśnienie w rurze można odczytać na manometrze (11). Czarna podziałka podaje ciśnienie w barach.

Ustawianie ciśnienia włączania (rys. A, B)

Domyślne ciśnienie włączania to 1,5 bara. Ciśnienie włączania można ustawić na wartość od 1,5 bara do 2,5 bara.

Ciśnienie włączania ustawia się za pomocą śruby do regulacji ciśnienia (16). Każdy obrót o 360° zmniejsza lub zwiększa ciśnienie włączania o około 0,2 bara.

- Obracanie zgodnie ze wskazówkami zegara powoduje zwiększenie ciśnienia.
- Obracanie przeciwnie do wskazówek zegara powoduje zmniejszenie ciśnienia.

Kończenie pracy (rys. A, G)



Nie dotykać pompy, jeśli od odłączenia od niej zasilania minęło mniej niż co najmniej 5 minut.



Jeśli istnieje ryzyko występowania przymrozków lub w przypadku długiego nieużywania pompy należy ją przechowywać w odpowiednim miejscu.

- Dopilnować, aby włącznik (1) znajdował się w położeniu „0”.

2. Wyjąć wtyczkę zasilania z gniazdka sieciowego.
3. Wykręcić i zdjąć korek spustowy (2). Poczekać, aż woda spłynie.
4. Pociągnąć wąż ssawny do góry (pamiętać, że jest napełniony wodą).
5. Wykręcić wąż ssawny (8) z dopływu wody (3).
6. Zdemontować filtr i zawór stopowy (4), a następnie przepłukać czystą wodą. Dopilnować, aby w wężu ssawnym nie pozostała woda (8).
7. Odłączyć wąż ssawny od odpływu wody (10). Wykręcić złączkę z odpływu wody (10).
8. Wkręcić korek spustowy (2) na miejsce. Nie dokręcać za mocno.
9. Oczyszczyć i schować urządzenie (patrz „Konservacja”).

5. KONSERWACJA



Przed rozpoczęciem czyszczenia i konserwacji zawsze wyłączać maszynę i wyjmować wtyczkę zasilania sieciowego z gniazdka.

Czyścić obudowę urządzenia regularnie miękką ściereczką, najlepiej po każdym użyciu. Usuwać oporne zabrudzenia miękką ściereczką zwilżoną mydlinami. Nie używać żadnych rozpuszczalników, takich jak benzyna, alkohol, amoniak itp. Takie substancje chemiczne spowodują uszkodzenie części z tworzyw sztucznych.

Jeśli wydaje się, że urządzenie jest zablokowane, wyłączyć zasilanie sieciowe, wyjąć wtyczkę z gniazdka i sprawdzić urządzenie pod kątem zatorów. Oczyszczyć wąż ssawny, zawór stopowy, filtr wstępny i pompę.

PRZECHOWYWANIE I OCHRONA PRZED ZAMARZANIEM

Jeśli i w pompie ogrodowej i jej akcesoriach pozostanie woda, mogą one zostać uszkodzone, gdy woda zamrze. Całkowicie opróżnić pompę ogrodową i jej akcesoria z wody i chronić je przed zamarzaniem.

Przechowywać to urządzenie w dobrze wentylowanym i suchym miejscu w temperaturze nie niższej niż +5°C.

Kiedy urządzenie nie jest używane, przechowywać je poza zasięgiem dzieci.

ROZWIĄZYWANIE PROBLEMÓW

Problem	Przyczyna	Rozwiązanie
Pompa nie uruchamia się	Brak zasilania sieciowego	Sprawdź zasilanie sieciowe
	Pompa nie jest włączona	Włącz pompę
	Dioda LED - awaria świeci	Nacisnąć przycisk resetowania
	Za niskie ciśnienie pompy	Sprawdź, czy ciśnienie pompy jest o 0,8 bara wyższe od ciśnienia włączania wyłącznika
	Ciśnienie włączania ustawione za nisko	Obrotowanie śruby do regulacji ciśnienia zgodnie ze wskazówkami zegara powoduje podniesienie ciśnienia włączania
Pompa pracuje, ale nie dostarcza wody (po upływie ponad 5 minut od uruchomienia)	Uruchomiło się zabezpieczenie przed pracą bez wody, ponieważ ciśnienie włączania jest ustawione za wysoko	Obrotowanie śruby do regulacji ciśnienia przeciwnie do wskazówek zegara powoduje obniżenie ciśnienia włączania
	Pompa nie jest całkowicie napełniona wodą	Ponownie napełnić pompę wodą i sprawdzić zawór stopowy i wąż ssawny
	Powietrze w wężu ssawnym	Sprawdzić szczelność różnych złączy węża ssawnego
	Poziom wody jest za niski	Dostosować wysokość instalacji pompy (< 8 m)
Zator w wężu ssawnym, zaworze stopowym, filtrze wstępnym lub pompie		Oczyszczyć wąż ssawny, zawór stopowy, filtr wstępny lub pompę

Pompa stale się uruchamia i wyłącza	Ciśnienie włączenia ustawione za wysoko	Obracanie śruby do regulacji ciśnienia przeciwnie do wskazówek zegara powoduje obniżenie ciśnienia włączenia
Niewystarczające ciśnienie	Błędny typ pompy Wąż ssawny jest za długi lub ma za wiele zgięć lub nie dobrano właściwej średnicy węża ssawnego Zator w wężu ssawnym, zawór stopowym, filtrze wstępnym lub pompie Wąż odpływu jest nieprawidłowy lub nieprawidłowo zainstalowany	Wybrać odpowiednią pompę W celu uzyskania maksymalnego przepływu użyć węża ssawnego o średnicy wewnętrznej 25 mm, 32 mm lub 38 mm. Skrócić wąż ssawny Oczyszczyć wąż ssawny, zawór stopowy, filtr wstępny lub pompę Sprawdzić wąż odpływu i jego połączenia. Im większa średnica węża i złączki węża, tym większy przepływ. Im mniejsza wysokość pompowania, tym większy przepływ.
Pompa nie uruchamia się lub zatrzymuje podczas pracy.	Włączył się wyłącznik termiczny chroniący przed przeciążeniem	Odłączyć od zasilania, pozostawić na 5 minut, po czym oczyścić wąż ssawny, zawór stopowy, filtr wstępny lub pompę
Pompa wyłączona po krótkim czasie pracy	Zasilanie zostało wyłączone Zbyt ciepła woda	Sprawdzić bezpieczniki i połączenia elektryczne Dopilnować, aby temperatura wody nie przekraczała maksymalnego poziomu 35 °C

ŚRODOWISKO



Uszkodzone i/lub niepotrzebne urządzenia elektryczne lub elektroniczne podlegają zbiórce w odpowiednich punktach recyklingu.

Tylko kraje WE

Nie wyrzucać elektronarzędzi wraz z odpadami z gospodarstw domowych. Zgodnie z dyrektywą 2012/19/WE dotyczącą zużytych urządzeń elektrycznych i elektronicznych oraz jej wdrożeniem do prawodawstwa krajowego, elektronarzędzia, które już nie nadają się do użytku, podlegają oddzielnej zbiórce oraz utylizacji w sposób przyjazny dla środowiska.

GWARANCJA

Produkty VONROC są wytwarzane zgodnie z najwyższymi standardami jakości i producent udziela gwarancji na wady materiałowe i wady wykonania na okres wymagany prawem, licząc od dnia zakupu. Jeśli wystąpi usterka produktu w tym okresie spowodowana wadą materiałową i/lub wadą wykonania, proszę bezpośrednio skontaktować się ze sprzedawcą VONROC.

Następujące okoliczności powodują unieważnienie gwarancji:

- Przeprowadzono naprawy lub modyfikacje narzędzia w serwisie innym lub autoryzowany lub podjęto ich próbę;
- Normalne zużycie nie jest objęte gwarancją;
- Narzędzie było używane niezgodnie z przeznaczeniem, źle z nim się obchodzono lub było nieprawidłowo konserwowane;
- Użyto części zamiennych innych niż oryginalne.

Niniejsza gwarancja to wyłączna gwarancja producenta i nie obowiązują żadne inne wyrażone ani dorozumiane gwarancje. Nie obowiązują żadne inne wyrażone ani dorozumiane gwarancje o zakresie przekraczającym niniejszą gwarancję, co obejmuje dorozumiane gwarancje przydatności do sprzedaży i przydatności do określonego celu. W żadnym przypadku firma VONROC nie ponosi odpowiedzialności za straty przypadkowe lub wynikowe. Zadośćuczynienie sprzedawcy jest ograniczone do naprawy lub wymiany niezgodnych urządzeń lub części.

Produkt i instrukcja obsługi podlegają zmianom. Dane techniczne podlegają zmianom bez przedzenia.

1. INSTRUCȚIUNI DE SIGURANȚĂ

Citiți avertizările de siguranță, avertizările de siguranță suplimentare și instrucțiunile. Nerespectarea avertizărilor de siguranță poate cauza producerea de electrocutări, incendii și/sau răniri grave. Păstrați avertizările de siguranță și instrucțiunile pentru referințe viitoare.

În manualul de utilizare sau pe produs se utilizează următoarele simboluri:



Citiți manualul de utilizare.



Indică riscul de rănire personală, pierderea vieții sau deteriorarea sculei în cazul în care nu se respectă instrucțiunile din acest manual.



Indica riscul electrocutării.



Protejați aparatul împotriva înghețului.



Adâncime max.



GP527AC: Nivelul de putere sonoră garantat LWA = 77 dB(A)



GP528AC: Nivelul de putere sonoră garantat LWA = 81 dB(A)



Nu scoateți din uz produsul în containere neadecvate.



Produsul este în conformitate cu standardele de siguranță aplicabile din directivele europene.

NOTE DE SIGURANȚĂ

ACEST APARAT POATE FI UTILIZAT DE COPIII CU VÂRSTA DE PESTE 8 ANI ȘI DE CĂTRE PERSOANE CU CAPACITĂȚI FIZICE, SENZORIALE SAU MENTALE REDUSE SAU DE CĂTRE PERSOANE LIPSITE DE EXPERIENȚĂ ȘI CUNOȘTINȚE DACĂ ACESTEA AU FOST SUPRAVEGHEATE ȘI INSTRUITE CU PRIVIRE LA UTILIZAREA APARATULUI ÎN CONDIȚII DE SIGURANȚĂ ȘI ÎNȚELEG RISCURILE PE CARE LE IMPLICĂ. COPIII NU AU VOIE SĂ SE JOACE CU APARATUL. CURĂȚAREA ȘI OPERAȚIUNILE DE ÎNTREȚINERE NU TREBUIE EFECTUATE DE COPII FĂRĂ SUPRAVEGHERE. ÎN CAZUL ÎN CARE CABLUL DE ALIMENTARE ESTE DETERIORAT, ACESTA TREBUIE ÎN-

LOCUIT DE CĂTRE PRODUCĂTOR, DE CĂTRE AGENTUL DE SERVICE SAU DE CĂTRE PERSOANE CALIFICATE ÎN MOD SIMILAR, PENTRU A EVITA PERICOLELE. ÎNAINTE DE CURĂȚAREA SAU ÎNTREȚINEREA ACESTUI APARAT, ȘTECHERUL TREBUIE SCOS DIN PRIZĂ.

Vă rugăm să citiți cu atenție și în întregime aceste instrucțiuni înainte de a utiliza acest aparat și păstrați-le pentru consultarea ulterioară. Este foarte important să înțelegeți cum să utilizați acest aparat în condiții de siguranță, așa că vă rog să vă familiarizați cu cerințele prezentate în aceste instrucțiuni.

- Dacă aveți îndoieli cu privire la utilizarea acestui aparat, vă recomandăm să utilizați serviciile unei persoane cu calificarea corespunzătoare.
- Conexiunea electrică trebuie protejată de un dispozitiv de curent rezidual (RCD) la priza de alimentare cu un curent nominal de declanșare de 30mA (max).
- Țineți copiii și animalele de companie departe de zona de lucru și nu permiteți niciodată copiilor să folosească acest aparat sau să atingă cablul prelungitor în orice moment. Atunci când nu este folosit, aparatul trebuie să fie depozitat într-un spațiu ferit de accesul copiilor.
- Nu lăsați niciodată aparatul nesupravegheat când îl folosiți.
- Nu trageți niciodată aparatul de cablul de alimentare. Transportați-l folosind mânerul de transport.
- Nu lăsați cablul de alimentare să se fie dispus peste obiecte ascuțite care ar putea străpunge izolația exterioară. Efectuați o verificare vizuală a cablului de alimentare înainte de utilizare și, dacă este deteriorat, înlocuiți-l cu un centru de service specializat. Nu utilizați aparatul în cazul în care cablurile sunt deteriorate sau uzate.
- Păstrați cablul de alimentare ferit de căldură, îngheț, ulei, solvenți sau orice obiecte sau suprafețe cu margini ascuțite.
- Conexiunile electrice, de ex. Cablul prelungitor, trebuie protejate în permanență față de umezală.
- Verificați dacă tensiunea nominală a aparatului dvs. corespunde cu tensiunea nominală de la rețeaua de alimentare. Tensiunea de alimentare trebuie să fie de 230VAC.
- Niciodată nu lăsați aparatul funcționeze uscat - în afara apei. Dacă aparatul se supraîncălzește, întrerupătorul termic îl va opri. Dacă se întâmplă acest lucru, așteptați 5 minute înainte de a utili-

za aparatul din nou.

- Reporniți alimentarea doar cu mâinile uscate.
- Nu folosiți niciodată acest aparat într-un lac sau piscină în timp ce în apă există persoane!
- Nu utilizați pompa pentru apa de băut.
- Substanțele corozive, inflamabile sau explozive, unsoarea, uleiul, apa sărată și canalizarea nu trebuie folosite cu această pompă.
- pH-ul apei trebuie să fie între 6,5 și 8,5.
- Temperatura lichidului nu trebuie să depășească 35°C.

Securitate electrică

Folosind mașini electrice, întotdeauna respectați regulamentele de protecție valabile în țara dvs. pentru a reduce riscul incendiului, electrocutării și accidentelor personale. Citiți următoarele instrucțiuni de securitate și de asemenea instrucțiunile de securitate atașate.



Întotdeauna controlați dacă voltajul rețelei de alimentare corespunde cu voltajul indicat pe plăcița cu valori.

Branșarea la rețeaua de alimentare electrică

Verificați dacă sursa de alimentare și mufa utilizate sunt în conformitate cu mașina dvs. Verificați plăcuța tehnică a mașinii. Orice schimbări trebuie efectuate întotdeauna de un electrician calificat.



Atenție! Acest aparat trebuie să fie împământat. Dacă nu este împământat corespunzător, acest aparat poate provoca un șoc electric. Asigurați-vă că priza de alimentare este împământată. Dacă există vreo îndoială, verificați cu un electrician calificat.



Atenție! Evitați contactul cu terminalele de la ștecher atunci când introduceți (scoateti) ștecherul la (din) priza de alimentare. Contactul poate provoca un șoc electric sever.

Înlocuirea cablurilor sau fișelor

În cazul în care cablul de alimentare este deteriorat, acesta trebuie înlocuit de către producător, de către agentul de service sau de către persoane calificate în mod similar, pentru a evita pericolele. Aruncați cablurile sau fișele imediat după ce le ați înlocuit cu cele noi. Este periculos să puneți ștecher unui cablu necunoscut în priza de perete.

Utilizarea cablurilor de prelungire

Utilizați numai cablu aprobat și potrivit pentru puterea absorbită a mașinii. Conductorul trebuie să fie minim de 1,5 mm². Dacă folosiți cablul înfășurat, întotdeauna îl desfășurați complet.

2. INFORMAȚII CU PRIVIRE LA MAȘINĂ

Pompa automată este destinată uzului privat pentru alimentarea cu apă în gospodărie și irigarea grădinilor, nu este destinată uzului comercial. Substanțele explozive, corozive, inflamabile, canalizarea, apă sărată, unsoarea și uleiul nu trebuie folosite.

Aceasta este destinată exclusiv pomparei apei curate și a apei de ploaie. Dimensiunile particulelor solidelor din apă nu trebuie să depășească dimensiunea maximă a particulelor specificată în datele tehnice.

Această pompă nu este proiectată pentru funcționare continuă (de exemplu, ca pompă de circulație pentru piscină sau iaz).

SPECIFICAȚII TEHNICE

Nr. model	GP527AC	GP528AC
Carcasă pompă	Plastic	Oțel inoxidabil
Tensiune	230 V c.a. / 50Hz	
Putere de intrare	800W	1000W
Debit maxim (Fig. C)	3300l/h	3500l/h
Presiune max.	4 bar	4,4 bar
Înălțimea max. de pompare (Fig. C)	40 m	44 m
Înălțimea maximă de aspirare cu autoamorsare	8 m	
Dimensiunea max. a particulei	1 mm (apă curată)	
Presiunea de pornire	1,5-2,5 bari	
Presiunea de pornire implicită	1,5 bar	
Protecție la funcționare uscată	Da	
Manometru	Da	
Preventor de retur (presostat)	Da	
Temperatura max. a apei	35°C	
Protecție	IPX4	
Racord de presiune (presostat)	Filet interior G1"	
Racord de aspirație	Filet interior G1"	

Diametrul interior recomandat al furtunului (furtun de aspirație)	25mm, 32mm, 38mm	
Lungime cablu	1,2 m	
Greutate	6,86 kg	7,24 kg
Nivel presiune sonoră L_{pA}	62,6 dB(A) K = 2,22 dB(A)	66,2 dB(A) K = 2,66 dB(A)
Nivel putere acustică L_{WA}	74,5 dB(A) K = 2,22 dB(A)	78,1 dB(A) K = 2,66 dB(A)

DESCRIERE

Numererele din text se referă la diagramele de la paginile 2-7.

1. Comutator Pornit/Oprit
2. Dop orificiu de golire
3. Admisie de apă (pomă)
4. Clapetă de picior/dispozitiv de prevenire a refluxului (nu este inclus)
5. Bușon de umplere
6. Ieșire de apă (pomă)
7. Mâner de transport
8. Furtun de aspirație (nu este inclus)
9. Admisie de apă (presostat)
10. Ieșire de apă (presostat)
11. Manometru
12. Buton de resetare
13. LED alimentare
14. LED eroare
15. LED pornit
16. Șurub de reglare a presiunii

3. ASAMBLAREA



Înainte de a efectua orice lucrare la pomă, deconectați ștecherul de la rețeaua electrică.

Montarea mânerului (Fig. D)

1. Puneți mânerul (7) pe pomă, așa cum se arată în figura D.
2. Montați mânerul (7) prin strângerea celor două șuruburi.

Instalarea presostatului (Fig. E)

1. Înșurubați cuplajul în orificiul de ieșire al pompei (6), așa cum se arată în figura E1.

2. Înșurubați racordul de intrare a apei (9) în cuplaj, așa cum se arată în figura E2.

Instalarea pompei (Fig. G)

Pompa trebuie să fie instalată într-un mediu ventilat și uscat. Poate fi instalat în exterior, cu condiția să fie acoperit corespunzător pentru a preveni ploaia și vântul. Asigurați-vă că pompa este așezată pe un teren orizontal și stabil. Montați întotdeauna pompa de grădină la un punct mai înalt decât suprafața apei, așa cum se arată în figura G.

Atașarea furtunului de aspirare (Fig. A, F, G)



Nu folosiți niciun fel de fittinguri de sistem de conectare a furtunului sau furtunuri de apă standard pe partea de aspirație! Trebuie utilizat un set de furtun de aspirație (8) cu un cuplaj adecvat (filet exterior G1") și o supapă de picior (4). Supapa de picior (4) împiedică întoarcerea apei la sfârșitul procesului de pompare.



Pentru a obține debitul maxim, trebuie utilizat un furtun de aspirație (8) de 25 mm, 32 mm sau 38 mm (diametru interior).



Furtunul de aspirație (8) trebuie să fie cât mai scurt posibil.

1. Îndepărtați capacul de protecție de pe racordul de intrare a apei.
2. Umpleți furtunul de aspirare (8) cu apă curată de la robinet, așa cum se arată în figura F.
3. Aplicați bandă de etanșare a filetului (bandă de teflon) pe racordul filetat al furtunului de aspirație.
4. Înșurubați cuplajul furtunului de aspirare în orificiul de admisie a apei (3).
5. Supapa de picior (4) trebuie amplasată vertical și la cel puțin 30 cm de fundul apei pentru a preveni aspirarea nisipului și a pietrelor, așa cum se arată în figura G.

Montarea ieșirii furtunului (Fig. B)



Cu cât diametrul furtunului și al conectorului furtunului este mai mare, cu atât debitul este mai mare.



Cu cât este mai mică înălțimea de livrare, cu atât este mai mare debitul.

- Decideți ce diametru de furtun și ce fittinguri pentru sistemul de conectare a furtunului veți folosi.
- Aplicați bandă de etanșare a fileului (bandă de teflon) pe racordul de evacuare a apei (10).
- Înșurubați cuplajul (neinclus) pe ieșirea de apă (10).
- Conectați furtunul (neinclus) la cuplaj.
- Verificați dacă furtunul nu are curburi.

Umplerea pompei cu apă (Fig. A, H)

- Deșurubați și îndepărtați bușonul de umplere (5).
- Umpleți pompa cu apă curată de la robinet, așa cum se arată în figura H. Nu umpleți pompa în exces.
- Așezați bușonul de umplere (5) la loc, nu îl strângeți prea tare.

4. OPERAREA



Nu folosiți niciodată pompa într-un lac sau piscină în timp ce în apă există persoane!



Porniți sau opriți alimentarea numai cu mâinile uscate.



Nu puneți niciodată în funcțiune această pompă înainte ca pompa și furtunul de aspirație (8) să fie umplute cu apă.



Curățați supapa de picior (nu este inclusă) și prefiltrul (nu este inclus) la intervale regulate și verificați dacă sunt deteriorate. În caz contrar, funcționarea sa poate fi afectată.

Pornirea și oprirea (Fig. A)

- Verificați dacă comutatorul PORNIT/OPRIT (1) al pompei se află în poziția „0” înainte de a conecta presostatul la sursa de alimentare.
- Mutați comutatorul PORNIT/OPRIT (1) de la pompă în poziția „I” pentru a porni pompa.
- Cu ajutorul presostatului puteți controla automat funcționarea unei pompe de grădină. Deschideți robinetul sau pistolul de pulverizare conectat pentru a porni pompa. Când porniți pompa, în apă va fi mai întâi mult aer. Acesta nu este un defect al pompei dvs., ci servește la eliminarea aerului din pompă. Este posibil să dureze câteva minute pentru ca aerul să iasă atunci

când pompa este utilizată pentru prima dată.

- Atunci când închideți robinetul conectat sau pistolul de pulverizare, pompa oprește automat pomparea.
- Duceți comutatorul PORNIT/OPRIT (1) al pompei în poziția „0” pentru a opri pompa.

Presostatul are 3 LED-uri (13, 14, 15) care indică starea presostatului:

Indicatoare LED	Stare de funcționare
LED alimentare electrică (13)	Presostatul este conectat la sursa de alimentare. Presostatul este gata de utilizare.
LED eroare (14)	Pompa funcționează în gol fără apă. Siguranța de funcționare în gol este activată. Folosiți manualul de utilizare al pompei pentru a găsi cauza defecțiunii și a o corecta. Apoi reporniți pompa apăsând butonul de resetare (12) de pe presostat.
LED pornit (15)	Pompa este în funcțiune.

Citirea presiunii (Fig. B)

Presiunea din conductă poate fi citită pe manometrul (11). Scara neagră indică presiunea în bari.

Reglarea presiunii de pornire (Fig. A,B)

Presiunea de pornire implicită este de 1,5 bar. Presiunea de pornire poate fi reglată la o valoare cuprinsă între 1,5 și 2,5 bar.

Este posibil să setați alimentarea de pornire cu ajutorul șurubului de reglare a presiunii (16). Fiecare rotire de 360° scade sau crește presiunea de pornire cu aproximativ 0,2 bar.

- Dacă se rotește spre dreapta, presiunea va fi mărită.
- Dacă se rotește spre stânga, presiunea va fi scăzută.

Terminarea operațiunii (Fig. A, I)



Nu atingeți pompa decât dacă alimentarea cu energie electrică a fost întreruptă timp de cel puțin 5 minute.



Atunci când există riscul de îngheț sau dacă nu utilizați pompa pentru o perioadă lungă de timp, vă rugăm să o depozitați corespunzător.

- Asigurați-vă că comutatorul PORNIT/OPRIT (1) se află la „0” (OPRIT).

2. Scoateți ștecherul din priză.
3. Deșurubați și îndepărtați bușonul de scurgere (2). Lăsați apa să se scurgă.
4. Trageți furtunul de aspirare (atenție, este plin de apă).
5. Deșurubați furtunul de aspirație (8) de la intrarea de apă (3).
6. Îndepărtați filtrul și supapa de picior (4), apoi clătiți cu apă curată. Asigurați-vă că nu mai există apă în furtunul de aspirare (8).
7. Scoateți furtunul de apă de la ieșirea de apă (10). Deșurubați cuplajul de la ieșirea de apă (10).
8. Așezați bușinul de golire (2) înapoi, nu strângeți prea tare.
9. Curățați și depozitați dispozitivul (consultai „Întreținerea”)

5. ÎNTREȚINEREA



Înainte de curățare și întreținere, opriți alimentarea electrică a mașinii și deconectați fișa cablului de alimentare de la priza de rețea.

Curățați regulat carcasa cu o cârpă moale, de preferat după fiecare utilizare. Îndepărtați murdăria persistentă cu o cârpă moale înmuiată în clăbuci de săpun. Nu folosiți solvenți precum benzină, alcool, amoniac, etc. Astfel de substanțe chimice vor deteriora componentele sintetice.

Dacă aparatul pare a fi blocat, întrerupeți alimentarea de la rețea, scoateți ștecherul din priză și verificați dacă aparatul este blocat. Curățați furtunul de aspirație, supapa de picior, prefiltrul și pompa.

DEPOZITARE ȘI PROTECȚIA FAȚĂ DE ÎNGHEȚ

Pompa de grădină și accesorii care nu sunt complet drenate pot fi distruse de îngheț. Goliți complet pompa de grădină și accesorii și protejați-le împotriva înghețului. Păstrați acest aparat în spații uscate bine ventilate, cu o temperatură care nu va scădea sub +5°C.

Atunci când nu este folosit, aparatul trebuie să fie depozitat într-un spațiu ferit de accesul copiilor.

GHID PENTRU REMEDIEREA PROBLEMELOR

Problemă	Cauză	Remediere
Pompa nu pornește	Lipsește alimentarea de la rețea	Verificați alimentarea de la rețea
	Pompa nu este pornită	Porniți pompa
	LED-ul de eroare este aprins	Apăsăți butonul de resetare
	Presiune insuficientă a pompei	Verificați dacă presiunea pompei este cu 0,8 bari mai mare decât presiunea de pornire a comutatorului
	Presiunea de pornire este setată prea mică	Prin rotirea șurubului de reglare a presiunii în sensul acelor de ceasornic, presiunea de pornire va fi mărită
Pompa este activă, dar nu livrează apă (după ce a fost pornită timp de mai mult de 5 minute)	Siguranța de funcționare în gol este activată, deoarece presiunea de pornire este setată prea mare	Prin rotirea șurubului de reglare a presiunii în sens invers acelor de ceasornic, presiunea de pornire va fi redusă
	Pompa nu este umplută complet cu apă	Reumpleți pompa cu apă și verificați supapa de picior a furtunului de aspirație
	Aer în furtunul de aspirație	Verificați etanșarea diferitelor îmbinări ale furtunului de aspirație
Pompa este activă, dar nu livrează apă (după ce a fost pornită timp de mai mult de 5 minute)	Nivelul apei este prea scăzut	Reglați înălțimea de instalare a pompei (< 8 m)
	Furtunul de aspirație, supapa de picior, prefiltrul sau pompa este blocată	Curățați furtunul de aspirație, supapa de picior, prefiltrul sau pompa

Pornirea și oprirea constantă a pompei	Presiunea de pornire este setată prea mare	Prin rotirea șurubului de reglare a presiunii în sens invers acelor de ceasornic, presiunea de pornire va fi redusă
Presiune insuficientă	<p>Tip de pompă incorect</p> <p>Furtunul de aspirație este prea lung sau cu prea multe coturi, diametrul furtunului de aspirație nu este selectat conform cerințelor</p> <p>Furtunul de aspirație, supapa de picior, prefiltrul sau pompa este blocată</p> <p>Furtunul de evacuare este instalat incorect sau incorect</p>	<p>Selectați pompa potrivită</p> <p>Pentru a obține debitul maxim, trebuie utilizat un furtun de aspirație de 25 mm, 32 mm sau 38 mm (diametru interior). Scurtați furtunul de aspirație</p> <p>Curățați furtunul de aspirație, supapa de picior, prefiltrul sau pompa</p> <p>Verificați furtunul de evacuare și racordurile. Cu cât diametrul furtunului și al racordului este mai mare, cu atât debitul este mai mare. Cu cât este mai mică înălțimea de livrare, cu atât este mai mare debitul.</p>
Pompa nu va porni sau se va opri în timpul utilizării.	Comutatorul de siguranță la suprasarcină termică a fost activat	Deconectați de la sursa de alimentare, lăsați-l timp de 5 minute și curățați furtunul de aspirație, supapa de picior, prefiltrul sau pompa
Pompa oprită după scurte perioade de funcționare	<p>Alimentarea s-a declanșat</p> <p>Apa este prea fierbinte</p>	<p>Verificați siguranțele și conexiunile electrice</p> <p>Asigurați-vă că temperatura apei nu depășește maximum 35°C</p>

MEDIU



Aparatele electrice sau electronice deteriorate și/sau defecte trebuie colectate în locurile de reciclare corespunzătoare.

Numai pentru țările din CE

Nu aruncați echipamentele acționate electric împreună cu gunoiul menajer. Conform Indicației europene 2012/19/EU pentru echipamente electrice și electronice uzate și a implementării sale la nivel național, echipamentele acționate electric scoase din uz trebuie colectate separat și evacuate într-o manieră ecologică.

GARANȚIE

Produsele VONROC sunt realizate la cele mai înalte standarde de calitate și sunt garantate în privința materialelor și a manoperei pentru întreaga perioadă de utilizare în garanție, începând cu data achiziției. În cazul în care produsul se defectează în timpul perioadei de utilizare, contactați direct VONROC.

Următoarele circumstanțe sunt excluse de la această garanție:

- Reparațiile sau modificările care realizate sau care s-au încercat a fi efectuate de centre de service neautorizate.
- Uzura în condiții normale.
- Unealta care a fost abuzată, utilizată într-un mod neglijent sau întreținută în mod inadecvat.
- Folosirea unor piese de schimb neoriginale.

Aceasta acoperă garanția companiei, explicită sau implicită. Nu există alte garanții explicite sau implicite care să se extindă dincolo de cele indicate aici, incluzând garanțiile, vandabilitatea sau adecvarea pentru un anumit scop. În nicio situație, VONROC nu este responsabil pentru daunele incidentale sau consecvențiale. Reparațiile efectuate de reprezentant trebuie să fie limitate la reparațiile sau la înlocuirea unităților sau a pieselor neconforme.

Produsul și manualul de utilizare pot suferi modificări. Specificațiile se pot modifica fără notificare prealabilă.

1. INSTRUÇÕES DE SEGURANÇA

Leia os avisos de segurança fornecidos, os avisos de segurança adicionais e as instruções. O não cumprimento dos avisos de segurança e das instruções pode resultar em choque eléctrico, incêndio e/ou ferimentos graves. Guarde os avisos de segurança e as instruções para referência futura.

Os seguintes símbolos são utilizados no manual do utilizador ou no produto:



Leia o manual do utilizador.



Indica o risco de ferimentos, morte ou danos na ferramenta se as instruções indicadas neste manual não forem seguidas.



Indica risco de choque eléctrico.



Proteja o equipamento do gelo.



Profundidade máx.



GP527AC: Nível de potência sonora garantida LWA = 77 dB(A)



GP528AC: Nível de potência sonora garantida LWA = 81 dB(A)



Não elimine o produto em depósitos não adequados.



O produto está em conformidade com as normas de segurança aplicáveis nas directivas europeias.

AVISOS DE SEGURANÇA

ESTE EQUIPAMENTO PODE SER UTILIZADO POR CRIANÇAS A PARTIR DOS 8 ANOS E POR PESSOAS COM CAPACIDADES FÍSICAS, SENSORIAIS OU MENTAIS REDUZIDAS OU COM FALTA DE EXPERIÊNCIA E CONHECIMENTOS QUE TENHAM RECEBIDO INSTRUÇÕES OU SUPERVISÃO SOBRE A UTILIZAÇÃO SEGURA DO EQUIPAMENTO E COMPREENDAM OS RISCOS ENVOLVIDOS. AS CRIANÇAS DEVEM SER VIGIADAS PARA QUE NÃO BRINQUEM COM O EQUIPAMENTO. A LIMPEZA E A MANUTENÇÃO POR PARTE DO UTILIZADOR NÃO DEVEM SER EFECTUADAS POR CRIANÇAS SEM SUPERVISÃO. SE O CABO DE ALI-

MENTAÇÃO ESTIVER DANIFICADO, DEVE SER SUBSTITUÍDO PELO FABRICANTE, O RESPECTIVO TÉCNICO DE ASSISTÊNCIA OU POR PESSOAS DEVIDAMENTE QUALIFICADAS PARA EVITAR UMA SITUAÇÃO DE PERIGO. DEVE RETIRAR A FICHA DA TOMADA ANTES DE PROCEDER À LIMPEZA OU MANUTENÇÃO DO EQUIPAMENTO.

Antes de utilizar este equipamento, leia as instruções na íntegra e com atenção para referência futura. É muito importante que saiba como utilizar este equipamento correctamente, por isso demore o tempo que for necessário para familiarizar-se com os requisitos indicados nestas instruções.

- Se tiver alguma dúvida sobre a utilização deste equipamento, recomendamos vivamente que recorra a um técnico devidamente qualificado.
- A ligação eléctrica deve ser protegida com a instalação de um dispositivo de corrente residual (DCR) numa tomada eléctrica com uma corrente de disparo nominal de 30 mA (máx.).
- Mantenha as crianças e animais de estimação bem afastados da área de trabalho e nunca permita que as crianças utilizem este equipamento ou toquem na extensão. Quando não utilizar o equipamento, mantenha-o armazenado num local seguro afastado do alcance de crianças.
- Quando o equipamento estiver a ser utilizado, nunca o deixe sem vigilância.
- Nunca puxe o equipamento pelo cabo de alimentação. Transporte-o pela pega de transporte.
- O cabo de alimentação não deve ser colocado sobre ou perto de objectos afiados, porque podem perfurar o isolamento exterior. Antes de utilizar o equipamento, efectue uma inspecção visual do cabo de alimentação. Se apresentar danos, deve ser substituído por um centro de assistência especializado. Não utilize o equipamento se este apresentar danos.
- Mantenha o cabo de alimentação afastado de calor, gelo, óleo, solventes ou objectos ou arestas afiados.
- As ligações eléctricas, por exemplo, as extensões, devem ser protegidas sempre de humidade.
- Verifique se a potência nominal no equipamento corresponde à potência nominal da alimentação de rede. A tensão de rede deve ser 230 VCA.
- Nunca utilize este equipamento a seco, ou seja, sem água. Se o equipamento aquecer demasiado, o dispositivo de corte térmico desliga-o. Se

isto ocorrer, aguarde 5 minutos e depois volte a utilizar o equipamento.

- Só deve ligar a alimentação com as mãos secas.
- Nunca utilize este equipamento num lago ou piscina enquanto houver pessoas perto da água!
- Não utilize a bomba para beber água.
- As substâncias corrosivas, inflamáveis ou explosivas, gordura, óleo, água salgada e resíduos não devem ser transportados pela bomba.
- O pH da água deve situar-se entre 6,5 e 8,5.
- A temperatura do líquido não deve ser superior a 35 °C.

Segurança eléctrica

Quando utilizar máquinas eléctricas, respeite sempre os regulamentos de segurança aplicáveis ao seu país para reduzir o risco de incêndio, choque eléctrico e ferimentos. Leia as seguintes instruções de segurança e as instruções de segurança fornecidas.



Verifique sempre se a fonte de alimentação corresponde à tensão na placa sinalética.

Ligação à fonte de alimentação

Verifique se a fonte de alimentação e a ficha são utilizadas de acordo com a sua máquina. Consulte a placa sinalética na máquina. Quaisquer alterações devem ser sempre efectuadas por um electricista qualificado.



Aviso! Esta máquina deve ter ligação à terra. Se não estiver ligada à terra correctamente, esta máquina pode causar um choque eléctrico. A saída da fonte de alimentação está ligada à terra. Se tiver alguma dúvida, entre em contacto com um electricista qualificado.



Aviso! Evite o contacto com os terminais na ficha quando instalar (ou retirar) a ficha da tomada de alimentação. O contacto causa um choque eléctrico grave.

Substituir cabos ou fichas

Se o cabo de alimentação estiver danificado, deve ser substituído pelo fabricante, o respectivo técnico de assistência ou técnicos devidamente qualificados para evitar uma situação de perigo.

Deite fora de imediato cabos e fichas antigas que tenham sido substituídos por novos. É perigoso inserir a ficha de um cabo solto numa tomada de parede.

Utilizar extensões

Utilize apenas as extensões aprovadas que sejam adequadas para a entrada de alimentação da máquina. A espessura mínima do condutor é de 1,5 mm². Quando utilizar um enrolador de cabos, desenrole sempre o enrolador por completo.

2. INFORMAÇÕES SOBRE A MÁQUINA

A bomba automática é concebida para utilização privada de fornecimento de água doméstica e irrigação de jardins, não é concebida para fins comerciais. As substâncias explosivas, corrosivas, inflamáveis, resíduos, água salgada e óleo não devem ser retirados pela bomba.

É concebida apenas para a bombagem de água limpa e da chuva. O tamanho das partículas de sólidos em água não deve ser superior ao tamanho máximo das partículas especificado nos dados técnicos.

Esta bomba não é concebida para funcionamento contínuo (por exemplo, em bombas de circulação de piscinas ou lagos).

ESPECIFICAÇÕES TÉCNICAS

Modelo n.º	GP527AC	GP528AC
Corpo da bomba	Plástico	Aço inoxidável
Tensão	230 VCA/50 Hz	
Potência de entrada	800 W	1000 W
Caudal máx. (Fig. C)	3300 l/h	3500 l/h
Pressão máx.	4 bar	4,4 bar
Altura máx. de bombagem (Fig. C)	40 m	44 m
Altura máx. de aspiração auto-ferrante	8 m	
Tamanho máx. das partículas	1 mm (água limpa)	
Pressão de ligação	1,5 - 2,5 bar	

Pressão de ligação predefinida	1,5 bar	
Protecção contra funcionamento a seco	Sim	
Manómetro	Sim	
Válvula anti-retorno (pressóstato)	Sim	
Temperatura máx. da água	35 °C	
Protecção	IPX4	
Ligação de pressão (interruptor)	Rosca externa G1"	
Ligação de aspiração	Rosca interna G1"	
Diâmetro recomendado da mangueira interior (mangueira de aspiração)	25 mm, 32 mm e 38 mm	
Comprimento do cabo	1,2 m	
Peso	6,86 kg	7,24 kg
Nível de pressão sonora L_{PA}	62,6 dB(A) K = 2,22 dB(A)	66,2 dB(A) K = 2,66 dB(A)
Nível de potência sonora L_{WA}	74,5 dB(A) K = 2,22 dB(A)	78,1 dB(A) K = 2,66 dB(A)

DESCRIÇÃO

Os números indicados no texto dizem respeito aos diagramas nas páginas 2 e 7.

1. Interruptor para ligar/desligar
2. Bujão de drenagem
3. Entrada da água (bomba)
4. Válvula de travagem/válvula anti-retorno (não incluída)
5. Bujão de enchimento
6. Saída de água (bomba)
7. Pega de transporte
8. Mangueira de aspiração (não incluído)
9. Entrada de água (pressóstato)
10. Saída de água (pressóstato)
11. Manómetro
12. Botão de reposição
13. LED de potência
14. LED de avaria
15. LED de funcionamento
16. Parafuso de regulação da pressão

3. MONTAGEM



Antes de efectuar qualquer tarefa de manutenção na bomba, desligue a ficha de alimentação da fonte de alimentação.

Montar a pega (Fig. D)

1. Monte a pega (7) na bomba, como indicado na Figura D.
2. Monte a pega (7), apertando os dois parafusos.

Instalar o pressóstato (Fig. E)

1. Aperte o terminal na saída da bomba (6), como indicado na Figura E1.
2. Aperte a ligação de entrada de água (9) no terminal, como ligado na Figura E2.

Instalar a bomba (Fig. G)

A bomba deve ser instalada num ambiente seco e ventilado. Pode ser instalado no exterior, desde que esteja devidamente tapado para impedir a entrada de chuva e vento. Assegure-se de que a bomba é colocada num local horizontal e estável. Coloque sempre a bomba de jardim num local mais elevado do que a superfície de água, como indicado na Figura G.

Montar a mangueira de aspiração (Fig. A, F, G)



Não utilize encaixes do sistema de fixação do tubo ou mangueiras de água comuns no lado de aspiração! Deve ser utilizado uma mangueira de aspiração (8) equipada com um terminal adequado (rosca externa G1") e uma válvula de travagem (4). A válvula de travagem (4) impede o refluxo de água após o processo de bombagem.



Deve ser utilizado uma mangueira de aspiração (8) de 25 mm, 32 mm ou 38 mm (diâmetro interno) para obter o máximo caudal.



A mangueira de aspiração (8) deve ser a mais curta possível.

1. Retire a tampa de protecção da ligação de entrada de água.
2. Encha a mangueira de aspiração (8) com água da torneira limpa, como indicado na Figura F.
2. Aplique fita de vedação de roscas (fita Teflon) no terminal da mangueira de aspiração roscada.
3. Aperte o terminal da mangueira de aspiração de

maneira hermética na entrada de água (3).

4. A válvula de travagem (4) deve ser colocada na vertical a pelo menos 30 cm do fundo da água para impedir a aspiração de areia e pedras, como indicado na Figura G.

Montagem da mangueira de saída (Fig. B)



Quanto maior for o diâmetro da mangueira e do conector da mangueira, maior é o fluxo.



Quanto mais reduzida for a altura, maior é o fluxo.

1. Decida que diâmetro da mangueira e encaixes do sistema de ligação da mangueira vai utilizar.
2. Aplique fita de vedação de roscas (fita Teflon) no terminal roscado (10).
3. Aparafuse o terminal (não incluído) na saída de água (10).
4. Ligue a mangueira (não incluída) no terminal.
5. A mangueira não deve ter dobras.

Encher a bomba com água (Fig. A, H)

1. Desaperte e retire o bujão de enchimento (5).
2. Encha a bomba com água da torneira limpa, como indicado na Figura H. Não encha demasiado a bomba.
3. Coloque de novo o bujão de enchimento (5), não aperte demasiado.

4. FUNCIONAMENTO



Nunca utilize esta bomba num lago ou piscina enquanto houver pessoas perto da água!



Só deve ligar ou desligar a alimentação com as mãos secas.



Nunca ligue esta bomba antes de encher a bomba e a mangueira de aspiração (8) com água.



Limpe a válvula de travagem (não incluída) e o pré-filtro (não incluído) a intervalos frequentes e verifique se apresentam danos. Caso contrário, o funcionamento pode ser afectado.

Ligar/desligar (Fig. A)

1. Verifique se o interruptor para ligar/desligar (1) da bomba está na posição “0” antes de ligar o pressóstato à fonte de alimentação.
2. Coloque o interruptor para ligar/desligar (1) da bomba na posição “I” para ligar a bomba.
3. O pressóstato permite-lhe controlar automaticamente o funcionamento da bomba de jardim. Abra a torneira ou pistola de pulverização ligada para ligar a bomba. Quando liga a bomba, há muito ar na água. Isto não é um defeito na bomba, serve para remover o ar da bomba. Quando a bomba é utilizada pela primeira vez, o ar pode demorar vários minutos a sair.
4. Quando fecha a torneira ou a pistola de pulverização ligada, a bomba pára automaticamente de bombear.
5. Coloque o interruptor para ligar/desligar (1) da bomba na posição “0” para desligar a bomba.

O pressóstato tem 3 indicadores LED (13, 14, 15), que indicam o estado do pressóstato:

Indicadores LED	Estado de funcionamento
LED de potência (13)	O pressóstato é ligado à fonte de alimentação. O pressóstato está pronto para ser utilizado.
LED de avaria (14)	A bomba está a funcionar a seco, sem água. O sistema de segurança de funcionamento a seco está activado. Utilize o manual de instruções da bomba para detectar a causa da avaria e corrigi-la. Em seguida, reinicie a bomba, premindo o botão de reposição (12) no pressóstato.
LED de funcionamento (15)	A bomba está a funcionar.

Ler a pressão (Fig. B)

A pressão do tubo pode ser lida no manómetro (11). A escala preta indica a pressão em bar.

Regulação a pressão de ligação (Fig. A, B)

A pressão de ligação predefinida é de 1,5 bar. A pressão de ligação pode ser regulada para um valor entre 1,5 bar e 2,5 bar.

É possível regular a pressão de ligação utilizando o parafuso de regulação da pressão (16).

Cada rotação de 360° diminui ou aumenta a pressão de ligação em cerca de 0,2 bar.

- Se rodá-lo para a direita, a pressão aumenta.
- Se rodá-lo para a esquerda, a pressão diminui.

Terminar a operação (Fig. A, I)



Só deve tocar na bomba se a potência tiver sido desligada durante pelo menos 5 minutos.



Se houver o risco de formação de gelo ou se não utilizar a bomba durante um período prolongado, armazene-a correctamente.

1. Verifique se o interruptor para ligar/desligar (1) está na posição “0”.
2. Retire a ficha da tomada de rede.
3. Desaperte e retire o bujão de drenagem (2). Deixe a água drenar.
4. Puxe a mangueira de aspiração para cima (tenha cuidado porque está cheia de água).
5. Desaperte a mangueira de aspiração (8) da entrada de água (3).
6. Retire o filtro e a válvula de travagem (4) e, em seguida, enxágue com água limpa. Certifique-se de que não há água na mangueira de aspiração (8).
7. Retire a mangueira de água da saída de água (10). Desaperte o terminal da saída de água (10).
8. Coloque de novo o bujão de drenagem (2), não o aperte demasiado.
9. Limpe e armazene o dispositivo (consulte “Manutenção”)

5. MANUTENÇÃO



Antes de efectuar a limpeza e a manutenção, desligue sempre a máquina e retire a ficha de alimentação da tomada de corrente.

Limpe a caixa da máquina com regularidade com um pano macio, de preferência após cada utilização. Retire a sujidade muito persistente com um pano macio humedecido com água de sabão. Não utilize solventes, como gasolina, álcool, amoníaco, etc. Este tipo de produtos químicos danificam os componentes sintéticos.

Se o equipamento estiver bloqueado, desligue a alimentação na rede eléctrica, retire a ficha da tomada e verifique se há obstruções no equipa-

mento.

Limpe a mangueira de aspiração, a válvula de travagem, o pré-filtro e a bomba.

ARMAZENAMENTO E PROTECÇÃO CONTRA A GEADA

A bomba de jardim e os acessórios que não forem drenados por completo podem ser destruídos pelo gelo.

Drene a bomba de jardim e os acessórios por completo e proteja-os do gelo.

Mantenha este equipamento num local seco e bem ventilado a uma temperatura não inferior a +5 °C. Quando não utilizar o equipamento, mantenha-o armazenado num local seguro afastado do alcance de crianças.

GUIA DE RESOLUÇÃO DE PROBLEMAS

Problema	Causa	Solução
A bomba não é ligada	Sem alimentação de rede	Verifique a alimentação de rede
	A bomba não está ligada	Ligue a bomba
	O LED de avaria está ligado	Carregue no botão de reposição
	A pressão da bomba não é suficiente	Verifique se a pressão da bomba é 0,8 bar mais elevada do que a pressão de arranque do pressóstato.
A pressão de ligação está regulada para um valor muito baixo	A pressão de ligação está regulada para um valor muito baixo	Se rodar o parafuso de regulação da pressão para a direita, a pressão de ligação é aumentada.
		Se rodar o parafuso de regulação da pressão para a esquerda, a pressão de ligação é reduzida.
O sistema de segurança de funcionamento a seco está activado, porque a pressão de ligação está regulada para um valor muito elevado	O sistema de segurança de funcionamento a seco está activado, porque a pressão de ligação está regulada para um valor muito elevado	Se rodar o parafuso de regulação da pressão para a esquerda, a pressão de ligação é reduzida.

<p>A bomba está activa, mas não é fornecida água (depois de ser ligada durante mais de 5 minutos)</p>	<p>A bomba não fica totalmente cheia com água</p> <p>Ar na mangueira de aspiração</p> <p>O nível de água é demasiado reduzido</p> <p>A mangueira de aspiração, a válvula de travagem, o pré-filtro ou a bomba estão obstruídos</p>	<p>Volte a encher a bomba com água e verifique a válvula de travagem da mangueira de aspiração</p> <p>Verifique a vedação das várias partes da mangueira de aspiração</p> <p>Regule a altura de instalação da bomba (< 8 m)</p> <p>Limpe a mangueira de aspiração, a válvula de travagem, o pré-filtro ou a bomba</p>	<p>Pressão insuficiente</p>	<p>Tipo de bomba incorrecta</p> <p>A mangueira de aspiração é demasiado comprida ou está demasiado dobrada, o diâmetro da mangueira de aspiração escolhido não está correcto</p> <p>A mangueira de aspiração, a válvula de travagem, o pré-filtro ou a bomba estão obstruídos</p> <p>A mangueira de saída é incorrecta ou está instalada incorrectamente</p>	<p>Escolha uma bomba adequada</p> <p>Deve ser utilizada uma mangueira de aspiração de 25 mm, 32 mm ou 38 mm (diâmetro interno) para obter o máximo caudal. A mangueira de aspiração deve ser mais curta</p> <p>Limpe a mangueira de aspiração, a válvula de travagem, o pré-filtro ou a bomba</p> <p>Verifique a mangueira de saída e as ligações. Quanto maior for o diâmetro da mangueira e a ligação da mangueira, maior é o fluxo. Quanto mais reduzida for a altura, maior o fluxo.</p>
<p>A bomba não pára ou inicia e pára constantemente</p>	<p>O pressóstato está regulado para um valor muito elevado</p>	<p>Se rodar o parafuso de regulação da pressão para a esquerda, a pressão de ligação é reduzida.</p>	<p>A bomba não liga ou pára durante a utilização.</p> <p>A bomba desliga-se após períodos curtos de funcionamento</p>	<p>O interruptor de segurança contra sobrecarga térmica é activado</p> <p>A alimentação foi activada</p> <p>A água está demasiado quente</p>	<p>Desligue a fonte de alimentação, aguarde 5 minutos e limpe a mangueira de aspiração, a válvula de travagem, o pré-filtro ou a bomba</p> <p>Verifique os fusíveis e as ligações eléctricas</p> <p>Assegure-se de que a temperatura da água não excedeu o valor máximo de 35 °C</p>

AMBIENTE



Os equipamentos eléctricos ou electrónicos defeituosos e/ou eliminados devem ser recolhidos em locais de reciclagem adequados.

O equipamento e o manual do utilizador estão sujeitos a alterações sem aviso prévio. As especificações podem ser alteradas sem aviso prévio.

Apenas para os países da CE

Não elimine as ferramentas eléctricas em conjunto com os resíduos domésticos. De acordo com a directiva europeia 2012/19/UE sobre resíduos de equipamentos eléctricos e electrónicos e a respectiva implementação na legislação nacional, as ferramentas eléctricas que já não sejam utilizadas devem ser recolhidas em separado e eliminadas de maneira ecológica.

GARANTIA

Os produtos da VONROC são desenvolvidos de acordo com os padrões de qualidade mais elevados e não apresentam quaisquer defeitos em termos de materiais e mão-de-obra em relação ao período estipulado por lei, cujo início é a partir da data de compra original. Se o produto apresentar qualquer falha durante este período devido a qualquer defeito no material e/ou de mão-de-obra, contacte a VONROC directamente.

As seguintes circunstâncias estão excluídas desta garantia:

- Se forem efectuadas ou tentadas quaisquer reparações e/ou alterações na máquina por centros de assistência não autorizados;
- Desgaste normal;
- Se a ferramenta foi utilizada de maneira abusiva, indevida ou a manutenção for efectuada de maneira incorrecta;
- Se forem utilizadas peças sobresselentes não originais.

Isto constitui a única garantia feita pela empresa, de maneira expressa ou implícita. Não existem quaisquer outras garantias expressas ou implícitas que se prolonguem, incluindo as garantias implícitas de comercialização e adequação para fins específicos. A VONROC não será, em nenhuma circunstância, responsável por danos incidentais ou indirectos. Os fornecedores devem estar limitados a reparar ou substituir as unidades ou peças que não estejam em conformidade.

1. BIZTONSÁGI UTASÍTÁSOK

Olvassa el az összes mellékelt biztonsági figyelmeztetést. A figyelmeztetések és utasítások be nem tartása áramütéshez, tűz keletkezéséhez vagy akár súlyos személyi sérüléshez vezethet. Őrizze meg a biztonsági figyelmeztetéseket és utasításokat későbbre is.

A használati útmutatóban és a terméken a következő jelölésekkel találkozhat:



Olvassa el a használati útmutatót.



A jelen útmutató utasításainak be nem tartása esetén balesetveszély, életveszély vagy a szerszám károsodásának veszélyét jelöli.



Elektromos áramütés veszélyét jelzi.



Óvja a készüléket a fagytól.



Max mélység.



GP527AC: A garantált hangteljesítményszint LWA = 77 dB(A)



GP528AC: A garantált hangteljesítményszint LWA = 81 dB(A)



A terméket hulladékként ne tegye arra nem alkalmas konténerbe.



A termék megfelel az európai irányelvek rá vonatkozó biztonsági követelményeinek.

BIZTONSÁGI TUDNIVALÓK

A KÉSZÜLÉKET 8 ÉVES VAGY ANNÁL IDŐSEBB GYERMEKEK, VALAMINT CSÖKKENT FIZIKAI, ÉRZÉKSZERV VAGY MENTÁLIS KÉPESSÉGEKKEL RENDELKEZŐ SZEMÉLYEK, VAGY MEGFELELŐ TAPASZTALATTAL ÉS TUDÁSSAL NEM RENDELKEZŐ SZEMÉLYEK CSAK FELÜGYELET MELLETT HASZNÁLHATJÁK, ILL. HA MEGFELELŐ UTASÍTÁSOKAT KAPTAK A KÉSZÜLÉK BIZTONSÁGOS HASZNÁLATÁHOZ ÉS MEGÉRTETTÉK A KAPCSOLÓDÓ VESZÉLYEKET. A KÉSZÜLÉK NEM GYERMEKEK KEZÉBE VALÓ JÁTÉKSZER. A TISZTÍTÁST ÉS KARBANTARTÁST GYERMEK FELÜGYELET NÉLKÜL NEM VÉGEZheti. HA A HÁLÓZATI TÁPKÁBEL MEGSÉRÜLT, A VESZÉLYHELYZETEK

ELKERÜLÉSE ÉRDEKÉBEN KI KELL CSERÉLTETNI A GYÁRTÓVAL, MEGBÍZOTT SZERVIZVEL VAGY MÁS, HASONLÓAN KÉPZETT SZAKEMBERREL. A KÉSZÜLÉK TISZTÍTÁSA VAGY KARBANTARTÁSA MIELŐTT A CSATLAKOZÓT KI KELL HÚZNI AZ ALJZATBÓL.

Kérjük, a készülék használata előtt figyelmesen és alaposan olvassa el az utasításokat, és későbbi felhasználás céljából őrizze meg az útmutatót. Nagyon fontos megismerni a készülék biztonságos használatának módját, emiatt kérjük, szánjon időt arra, hogy átolvassa az útmutatóban szereplő előírásokat.

- Amennyiben a készülék használatával kapcsolatban kétsége lenne, nyomatékosan javasoljuk, hogy kérjen fel egy megfelelően képzett személyt a munkára.
- Az elektromos csatlakozást max. 30 mA-es névleges kioldási áramerősségű áramvédő kapcsolóval (RCD) kell védeni az elektromos aljzatnál.
- A gyerekeket és a háziállatokat kellő távolságban kell tartani a munkaterülettől, és ügyelni kell rá, hogy a gyerekek soha ne használhassák ezt a készüléket, valamint ne nyúlhassanak hozzá a hosszabbítókábelhez. A használaton kívüli termék biztonságos helyen, gyermekektől elzárva tartandó.
- Soha ne hagyja felügyelet nélkül a készüléket, amikor az használatban van.
- Soha ne húzza a készüléket a tápkábelénél fogva. A hordfogantyúnál fogva cipelje.
- Ne hagyja, hogy a tápkábel olyan éles tárgyakra fektüdjön vagy azokon keresztül haladjon, amelyek kiszúrhatják a külső szigetelést. Használat előtt szemrevételezéssel ellenőrizze a tápkábelt. Ha sérült, cseréltesse ki egy szakszervizzel. Ne használja a készüléket, ha a kábel sérült.
- Tartsa távol a tápkábelt hőtől, fagytól, olajtól, olódszerektől, valamint hegyes tárgyaktól és éles szélektől.
- Az elektromos csatlakozásokat (például hosszabbítókábeleket) folyamatosan védeni kell a nedvességtől.
- Győződjön meg róla, hogy a készüléken jelzett névleges teljesítmény megegyezik az Ön elektromos hálózatának a névleges teljesítményével. A tápfeszültségnek 230 VAC-nek kell lennie.
- Soha ne használja üresen (víz nélkül) ezt a készüléket. Ha a készülék túlmelegszik, a hőkioldó

funkció kikapcsolja a készüléket. Ilyen esetben várjon 5 percet, mielőtt újból használni kezdené a készüléket.

- Csak száraz kézzel kapcsolja vissza az áramellátást.
- Soha ne használja ezt a készüléket mesterséges tóban vagy úszómedencében, amikor emberek vannak a vízben!
- Ne használja a szivattyút ivóvízhez.
- Tilos a szivattyúval korrozív, gyúlékony vagy robbanékony anyagokat, zsírt, olajat, sósvizet vagy szennyvizet szállítani.
- A víz pH-értékének 6,5 és 8,5 között kell lennie.
- A szállított folyadék hőmérséklete nem haladhatja meg a 35 °C-ot.

Elektromos biztonság

Elektromos gépek használata esetén minden esetben tartsa be az adott ország biztonsági előírásait, hogy elkerülje a tüzeseteket, az áramütés és a személyi sérülés kockázatát. Olvassa el a következő biztonsági utasításokat és a géphez mellékelt munkavédelmi utasításokat is.



Mindig ellenőrizze, hogy a szerszám adattábláján megadott feszültség megfelel-e az áramforrás feszültségének.

Csatlakoztatás a tápellátáshoz

Ellenőrizze, hogy a használt tápegység és a csatlakozó megfelel-e a gépnek. Nézze meg a gép adattábláját. A módosításokat mindig szakképzett villanyszerelőnek kell elvégeznie.



Figyelmeztetés! A gépet földelni kell. Ha nem megfelelően van földelve, a gép áramütést okozhat. Bizonyosodjon meg róla, hogy a tápellátás aljzata földelt-e. Ha kétségei vannak, ellenőriztesse szakképzett villanyszerelővel.



Figyelmeztetés! Kerülje el, hogy a csatlakozó érintkezőkhöz érjen, amikor a csatlakozót a fali aljzatba dugja / a fali aljzattól kihúzza. Az érintkezés súlyos áramütést okozhat.

Kábelek és dugók cseréje

Ha a hálózati tápkábel megsérült, a veszélyhelyzetek elkerülése érdekében ki kell cseréltetni a gyártóval, megbízott szervizzel vagy más, hasonlóan képzett szakemberrel. Azonnal selejtezze le a régi

kábeleket és dugókat, ha azokat újakra cserélte. Veszélyes lehet egy meglazult kábel dugóját a fali aljzathoz csatlakoztatni.

Hosszabbító kábelek használata

Csak a gép felvett teljesítményéhez megfelelő, jóváhagyott hosszabbító kábelt használjon. A vezeték minimális keresztmetszete: 1,5 mm². Kábeldob használatakor mindig teljesen tekerceselje le a vezetéket.

2. A GÉP ADATAI

Az automata szivattyú személyes használatra lett kifejlesztve háztartási vízellátáshoz és kerti öntözéshez, felhasználása nem terjed ki kereskedelmi használatra. A szivattyúval tilos korrozív vagy gyúlékony anyagokat, szennyvizet, sósvizet, zsírt vagy olajat szállítani.

Mindössze tiszta és esővíz szivattyúzására szolgál. A vízben található szilárd anyagok részecskeméretének nem szabad meghaladnia a műszaki adatokban meghatározott maximális részecskeméretet.

A szivattyú nem folytonos működésre (például úszómedence vagy mesterséges tó keringetőszivattyújaként történő használatra) lett tervezve.

MŰSZAKI ADATOK

Modellazonosító	GP527AC	GP528AC
Szivattyúház	Műanyag	Rozsdamentes acél
Feszültség	230 VAC / 50 Hz	
Bemeneti teljesítmény	800 W	1000 W
Max. áramlási mennyiség (C. ábra)	3300 l/óra	3500 l/óra
Max. nyomás	4 bar	4,4 bar
Max. szivattyúzási magasság (C. ábra)	40 m	44 m
Max. önfeltöltő szívás magasság	8 m	
Max. részecskeméret	1 mm (tiszta víz)	
Bekapcsolási nyomás	1,5-2,5 bar	
Alapértelmezett bekapcsolási nyomás	1,5 bar	

Szárazonfutás elleni védelem	Igen	
Nyomásmérő	Igen	
Visszafolyásgátlás (nyomáskapcsoló)	Igen	
Max. vízhőmérséklet	35 °C	
Védelem	IPX4	
Túlnyomásos csatlakozás (kapcsoló)	G1" külső csavarmenet	
Szívócsatlakozó	G1" belső csavarmenet	
Ajánlott belső tömlőátmérő (szívótömlő)	25 mm, 32 mm, 38 mm	
Kábelhossz	1,2 m	
Súly	6,86 kg	7,24 kg
Hangnyomásszint L_{PA}	62,6 dB(A) K= 2,22 dB(A)	66,2 dB(A) K= 2,66 dB(A)
Hangteljesítményszint L_{WA}	74,5 dB(A) K= 2,22 dB(A)	78,1 dB(A) K= 2,66 dB(A)

LEÍRÁS

A szövegben a számok a 2-7. oldal képeire utalnak.

1. Főkapcsoló
2. Leeresztődugó
3. Vízbevezetés (szivattyú)
4. Lábszelep / visszafolyásgátló (nem tartozék)
5. Feltöltődugó
6. Vízkivezetés (szivattyú)
7. Hordfogantyú
8. Szívótömlő (nem tartozék)
9. Vízbevezetés (nyomáskapcsoló)
10. Vízkivezetés (nyomáskapcsoló)
11. Nyomásmérő
12. Visszaállító gomb
13. Áram LED
14. Üzemzavar LED
15. Üzemel LED
16. Nyomásbeállító csavar

3. ÖSSZESZERELÉS



Mielőtt bármilyen munkát végezne a szivattyún, húzza ki a hálózati csatlakozódugaszt a konnektorból.

Fogantyú felszerelése (D ábra)

1. Helyezze a fogantyút (7) a szivattyúra a D. ábrán látható módon.
2. Szerelje fel a fogantyút (7) a két csavar meghúzásával.

A nyomáskapcsoló felszerelése (E ábra)

1. Csavarja be a csatlakozót a szivattyú vízkivezetésére (6) az E1 ábrán látható módon.
2. Csavarja be a csatlakozót a szivattyú vízbevezetésére (9) az E2 ábrán látható módon.

A szivattyú beszerelése (G ábra)

A szivattyút jól szellőző és száraz környezetben kell elhelyezni. Felállítható kint, amennyiben az eső és a szél ellen megfelelő fedés áll rendelkezésre. Ügyeljen arra, hogy a szivattyú vízszintes és stabil talajon álljon. A kerti szivattyút mindig egy ponttal a vízszint fölé helyezze, amint a G ábra mutatja.

A szívótömlő csatlakoztatása (A, F, G ábra)



A vízíási oldalon ne használjon tömlőcsatlakoztató rendszer szerelvényeket vagy hagyományos locsolócsöveket! Olyan szívótömlőt (8) kell használnia, amely megfelelő csatolószerkezettel (G1" külső menet) és lábszeleppel (4) van ellátva. A lábszelep (4) megakadályozza a víz visszaáramlását a szivattyúzási folyamat végén.



A maximális áramlási sebesség eléréséhez 25, 32 vagy 38 mm-es belső átmérőjű szívótömlőt (8) kell használni.



A szívótömlő (8) a lehető legrövidebb legyen.

1. Távolítsa el a védősapkát a vízbevezető csatlakozóról.
2. Töltse fel a szívótömlőt (8) tiszta csapvízzel, amint az F ábra mutatja.
2. Használjon menettömítő szalagot (teflonszalagot) a menetes szívótömlő-csatlakozóra.
3. Csavarja be a szívótömlő-csatlakozót légmentesen a vízbevezetésre (3).
4. A lábszelepet (4) függőlegesen legalább 30 cm távolságra kell elhelyezni a víz aljától, hogy a homokot és kavicsokat ne szívja fel, ld. G. ábra.

A kimeneti tömlő csatlakoztatása (B ábra)



Minél nagyobb a tömlő és a tömlőcsatlakozó átmérője, annál nagyobb az áramlás.



Minél kisebb a szállítási magasság, annál nagyobb az áramlás.

1. Döntse el, hogy milyen tömlőátmérőt és milyen rendszerű tömlőcsatlakoztatató szerelvényeket fog használni.
2. Használjon menettömítő szalagot (teflonszalagot) a vízkimeneti (10) csatlakozóra.
3. Csavarja rá a csatlakozót (nem tartozék) a vízkezelésre (10).
4. Csatlakoztassa a tömlőt (nem tartozék) a csatlakozóra.
5. Ellenőrizze, hogy a tömlőben ne legyenek törések.

A szivattyú feltöltése vízzel (A, H ábra)

1. Csavarja ki és vegye le a feltöltődugót (5).
2. Töltse fel a szivattyút tiszta csapvízzel, H. ábra. Ne töltse túl a szivattyút.
3. Helyezze vissza a feltöltődugót (5), de ne húzza túl.

4. MŰKÖDÉS



Soha ne használja a szivattyút mesterséges tóban vagy úszómedencében, ha emberek vannak a vízben!



Csak száraz kézzel kapcsolja be és ki az áramellátást.



Soha ne indítsa el a szivattyút, mielőtt a szivattyú és a szívótömlő (8) fel lenne töltve vízzel.



Rendszeres időközönként tisztítsa meg a lábszelepet (nem tartozék) és az előszűrőt (nem tartozék) és ellenőrizze, hogy nem sérült-e. Ellenkező esetben rosszul működhet.

Be- és kikapcsolás (A ábra)

1. Mielőtt a nyomáskapcsolót áramforráshoz csatlakoztatja, ellenőrizze, hogy a szivattyú főkapcsolója (1) „0” állásban van-e.
2. A szivattyú bekapcsolásához kapcsolja a szivattyú főkapcsolóját (1) az „1” állásba.

3. A nyomáskapcsolóval automatikusan irányítani tudja a kerti szivattyú működését. A szivattyú indításához nyissa meg a csatlakoztatott csapot vagy a szórópisztolyt. A szivattyú elindításakor eleinte a víz tele lesz levegővel. Ez nem azt jelenti, hogy a szivattyú hibás lenne, mindössze a levegő távozik el a szivattyúból. A szivattyú első használatakor több másodperce is telhet, mire a levegő eltávozik.
4. A csatlakoztatott csap vagy szórópisztoly elzárásakor a szivattyú automatikusan abbahagyja a szivattyúzást.
5. A szivattyú kikapcsolásához kapcsolja a szivattyú főkapcsolóját (1) az „0” állásba.

A nyomáskapcsolón 3 LED jelzőlámpa (13, 14, 15) van, amelyek a nyomáskapcsoló állapotát mutatják:

LED jelzőlámpák	Üzemállapot
Áram LED (13)	A nyomáskapcsoló a tápellátáshoz csatlakozik. A nyomáskapcsoló használatra kész.
Üzemzavar LED (14)	A szivattyú víz nélkül szárazon jár. Bekapcsolt a szárazon járás elleni védelem. A szivattyú kezelési útmutatója segítségével keresse meg a hiba okát, és javítsa ki. Utána indítsa újra a szivattyút a nyomáskapcsolón a visszállítás gomb (12) megnyomásával.
Üzemel LED (15)	A szivattyú üzemel.

A nyomás leolvasása (B ábra)

A vezetéki nyomás a nyomásmérőn (11) olvasható. A fekete skála mutatja a nyomást barban.

A bekapcsolási nyomás beállítása (A, B ábra)

A bekapcsolási nyomás alapból 1,5 bar. A bekapcsolási nyomást be lehet állítani 1,5 bar és 2,5 bar közötti értékre.

A bekapcsolási nyomást a nyomásbeállító csavarral (16) lehet beállítani. Minden 360°-os fordulat körülbelül 0,2 barral csökkenti vagy növeli a bekapcsolási nyomást.

- Az óramutató járásával megegyező irányba forgatva nő a nyomás.
- Az óramutató járásával ellentétes irányba forgatva csökken a nyomás.

A használat befejezése (A, I ábra)

Csak akkor érintse meg a szivattyút, ha az áramellátása már legalább 5 perce le lett állítva.



Ha fagyveszély áll fenn vagy ha hosszú ideig nem használja a szivattyút, kérjük, tárolja megfelelően.

1. Ellenőrizze, hogy a főkapcsoló (1) „0” állásban van-e.
2. Húzza ki a hálózati dugaszolót az aljzatból.
3. Csavarja ki és vegye le a leeresztődugót (2). Hagyja, hogy a víz eltávozzon.
4. Húzza fel a szívótömlőt (ügyeljen rá, hogy tele legyen vízzel).
5. Csavarja le a szívótömlőt (8) a vízbevezetésről (3).
6. Távolítsa el a szűrőt és a lábszelepet (4), majd öblítse ki tiszta vízzel. Ügyeljen arra, hogy ne maradjon víz a szívótömlőben (8).
7. Távolítsa el a víztömlőt a vízkivezetésről (10). Csavarja ki a csatlakozót a vízkivezetésből (10).
8. Helyezze vissza a leeresztődugót (2), de ne húzza túl.
9. Tisztítsa meg és tárolja el a készüléket (ld. „Karbantartás”)

5. KARBANTARTÁS

Tisztítás és karbantartás előtt mindig kapcsolja ki a gépet, és húzza ki a hálózati csatlakozódugót.

A gép burkolatát rendszeresen, lehetőleg minden használat után törölje át puha ronggyal. Makacs szennyeződésekhez használjon szappanos vízzel átitatott ruhát. Oldószert, benzint, alkoholt, ammóniát stb. ne használjon. Ezek a vegyszerek kárt tesznek a szintetikus részekben.

Ha úgy tűnik, hogy a készülék elakadt, kapcsolja ki az áramellátást az elektromos hálózatonál, húzza ki a dugaszt az aljzatból, majd ellenőrizze a készüléket, hogy talál-e benne eltömődéseket. Tisztítsa ki a szívótömlőt, a lábszelepet, az előszűrőt és a szivattyút.

TÁROLÁS ÉS FAGYVÉDELEM

A nem teljesen kiürített kerti szivattyút és tartozékait tönkretelheti a fagy.

Teljesen ürítse ki a kerti szivattyút és a tartozékait, és védje őket a fagytól.

A készüléket jól szellőző száraz helyen tárolja, ahol a hőmérséklet nem megy +5 °C alá.

A használaton kívüli termék biztonságos helyen, gyermekektől elzárva tartandó.

HIBAELHÁRÍTÁSI ÚTMUTATÓ

Probléma	Kiváltó ok	Elhárítás módja
A szivattyú nem indul el	Nincs elektromos ellátás	Ellenőrizze az elektromos ellátást
	A szivattyú nincs bekapcsolva	Kapcsolja be a szivattyút
	Üzemzavar LED világit	Nyomja meg a vízszállítás gombot
	Nem elég a szivattyúnyomás	Ellenőrizze, hogy a szivattyúnyomás 0,8 barral nagyobb-e, mint a kapcsoló bekapcsolási nyomása.
A szivattyú aktív, de nem áramlik víz (miután már 5 perce elindította)	A bekapcsolási nyomás túl kicsire van állítva	A nyomásbeállító csavar óramutató járásával megegyező irányba forgatásakor nő a bekapcsolási nyomás.
	Bekapcsolt a szárazon járás elleni védelem, mert a bekapcsolási nyomás túl nagyra van állítva	A nyomásbeállító csavar óramutató járásával ellentétes irányba forgatásakor csökken a bekapcsolási nyomás.
A szivattyú aktív, de nem áramlik víz (miután már 5 perce elindította)	A szivattyú nem lett teljesen elárasztva vízzel	Töltse fel újra a szivattyút vízzel és ellenőrizze a szívótömlő lábszelepet
	A szívótömlőben levegő van	Ellenőrizze a szívótömlő különböző csatlakozásait
	A vízszint túl alacsony	Módosítsa a szivattyú beszerelési magasságát (< 8 m)
	A szívótömlő, a lábszelep, az előszűrő vagy a szivattyú eldugult	Tisztítsa ki a szívótömlőt, a lábszelepet, az előszűrőt vagy a szivattyút

KÖRNYEZETVÉDELEM



A hibás vagy már feleslegessé vált elektromos, elektronikus készülékeket az ezzel foglalkozó gyűjtőpontokon kell leadni.

Csak EU országokban

Elektromos eszközt ne dobjon a háztartási hulladékba. Az elektromos és elektronikai hulladékokra vonatkozó, 2012/19/EK európai irányelv és annak a nemzeti törvénykezésbe történő átültetése értelmében az elhasznált elektromos készülékeket külön kell gyűjteni és környezetbarát módon kell ártalmatlanítani.

JÓTÁLLÁS

A VONROC termékei a legmagasabb minőségi normák szerint készülnek, és az eredeti vásárlás napjától számított, törvényileg előírt időtartamig garantáljuk, hogy anyag- és gyártási hibáktól mentesen fognak működni. Ha a termékben ezen időszak alatt bármilyen hiba jelentkezik anyag- és/ vagy gyártási hiba miatt, kérjük, forduljon közvetlenül a VONROC vállalathoz.

A szavatosság nem érvényes a következő körülmények egyikére sem:

- Nem hivatalos szervizközpontok javítást vagy módosítást végeztek (vagy megkíséreltek javítást vagy módosítást végezni) a gépen;
- Normál elhasználódás és kopás;
- A szerszámot erőszakosan vagy nem rendeltetésszerűen használták, vagy a karbantartása nem volt megfelelő;
- Nem eredeti pótalkatrészeket használtak.

A jelen garancia a vállalat által (akár kifejezetten, akár hallgatólagosan) biztosított kizárólagos garancia. Nem biztosítunk más garanciákat (sem kifejezett, sem hallgatólagos garanciákat, beleértve az értékesíthetőségre és az adott célra való alkalmasságra vonatkozó hallgatólagos garanciákat is), amelyek a jelen garancia hatókörén túlmutatnak. A VONROC semmilyen esetben sem felelős semmilyen járulékos vagy következményes kárért. A forgalmazók jogorvoslati teendői az előírásoknak nem megfelelő egységek vagy alkatrészek javítására és cseréjére korlátozódnak.

A termék és a használati útmutató változtatásának jogát fenntartjuk. A műszaki adatok előzetes bejelentés nélkül változhatnak.

A szivattyú nem áll le vagy folyamatosan elindul és leáll	A bekapcsolási nyomás túl nagyra van állítva	A nyomásbeállító csavar óramutató járásával ellentétes irányba forgatásakor csökken a bekapcsolási nyomás.
Nem elég a nyomás	Nem megfelelő szivattyútípus A szivótömlő túl hosszú vagy túl sokszor van meghajlítva, a szivótömlő átmérője nem a szükségesnek megfelelően lett kiválasztva A szivótömlő, a lábszelep, az előszűrő vagy a szivattyú eldugult A kivezető tömlő nincs megfelelően felszerelve	Válasszon megfelelő szivattyút A maximális áramlási sebesség eléréséhez 25, 32 vagy 38 mm-es belső átmérőjű szivótömlőt kell használni. Rövidítse le a szivótömlőt Tisztítsa ki a szivótömlőt, a lábszelepet, az előszűrőt vagy a szivattyút Ellenőrizze a kivezető tömlőt és a csatlakozásokat. Minél nagyobb a tömlő és a tömlőcsatlakozó átmérője, annál nagyobb az áramlás. Minél kisebb a szálítási magasság, annál nagyobb az áramlás.
A szivattyú nem indul el, vagy használat közben leáll.	Aktiválódott a termikus túlterhelés-védelmi kapcsoló	Válassza le a tápellátásról, majd várjon 5 percet, és tisztítsa ki a szivótömlőt, a lábszelepet, az előszűrőt vagy a szivattyút
A szivattyú rövid használati idők után kikapcsolódik	Lekapcsolódott (kioldott) az elektromos ellátás Túl meleg a víz	Ellenőrizze a biztosítékokat és az elektromos csatlakozásokat Bizonyosodjon meg arról, hogy vízhőmérséklet nem lépte túl a 35°C-os maximális értéket

1. BEZPEČNOSTNÍ POKYNY

Přečtěte si přiložené bezpečnostní výstrahy, dodatečné bezpečnostní výstrahy a bezpečnostní pokyny. Nebudete-li dodržovat tyto bezpečnostní výstrahy a pokyny, může dojít k úrazu elektrickým proudem, k vzniku požáru nebo k vážnému zranění. Uschovejte tyto bezpečnostní výstrahy a pokyny pro budoucí použití.

V tomto návodu k obsluze a na tomto výrobku jsou použity následující symboly:



Přečtěte si návod k obsluze.



Upozorňuje na nebezpečí zranění osob, ztráty života nebo poškození náradí, nebudou-li dodržovány pokyny uvedené v tomto návodu.



Upozorňuje na riziko úrazu elektrickým proudem.



Chraňte zařízení před mrazem.



Maximální hloubka.



GP527AC: Garantovaná hladina akustického výkonu LWA = 77 dB(A)



GP528AC: Garantovaná hladina akustického výkonu LWA = 81 dB(A)



Nevyhazujte tento výrobek do nevhodného kontejneru.



Tento výrobek je vyroben v souladu s platnými bezpečnostními normami, které jsou uvedeny ve směrnicih EU.

POZNÁMKY K BEZPEČNOSTI

TOTO ZAŘÍZENÍ SMÍ POUŽÍVAT DĚTI STARŠÍ 8 LET A OSOBY SE SNÍŽENÝMI FYZICKÝMI, SMYSLOVÝMI NEBO MENTÁLNÍMI SCHOPNOSTMI NEBO NEDOSTATKEM ZKUŠENOSTÍ A ZNALOSTÍ POUZE V PŘÍPADĚ, KDY JSOU POD DOHLEDEM NEBO BYLY-LI POUČENY O BEZPEČNÉM POUŽÍVÁNÍ TOHOTO ZAŘÍZENÍ A POROZUMĚLY SOUVISEJÍCÍM RIZIKŮM. DĚTI SI NESMÍ HRÁT S TÍMTO ZAŘÍZENÍM. ČIŠTĚNÍ A UŽIVATELSKOU ÚDRŽBU NESMÍ PROVÁDĚT DĚTI BEZ DOZORU. DOJDE-LI K POŠKOZENÍ NAPÁJE-

CÍHO KABELU, MUSÍ BÝT VYMĚNĚN VÝROBCEM, JEHO AUTORIZOVANÝM SERVISEM NEBO PODOBNĚ KVALIFIKOVANOU OSOBOU, ABY BYLO ZABRÁNĚNO MOŽNÝM RIZIKŮM. PŘED ZAHÁJENÍM ČIŠTĚNÍ NEBO ÚDRŽBY SPOTŘEBIČE MUSÍTE ODPOJIT ZÁSTRČKU NAPÁJECÍHO KABELU OD SÍŤOVÉ ZÁSUVKY.

Před použitím tohoto zařízení si prosím pečlivě a důkladně přečtěte tyto pokyny a uschovejte si je pro budoucí použití. Je velmi důležité, abyste rozuměli bezpečnému používání tohoto výrobku, a proto věnujte čas seznámení s požadavky uvedenými v tomto návodu.

- Máte-li jakékoliv pochybnosti o používání tohoto zařízení, důrazně doporučujeme, abyste využili služeb vhodně kvalifikované osoby.
- Elektrické připojení musí být chráněno proudovým chráničem (RCD) na zásuvce se jmenovitým vybavovacím proudem 30 mA (max.).
- Udržujte děti a domácí zvířata v dostatečné vzdálenosti od pracovního prostoru a nikdy nedovolte dětem používat toto zařízení, ani se dotýkat prodlužovacího kabelu. Ne-li toto zařízení používáno, uložte jej na bezpečném místě mimo dosah dětí.
- Nikdy nenechávejte zařízení během používání bez dozoru.
- Nikdy netahejte zařízení za jeho napájecí kabel. Používejte pro jeho přenášení určenou rukojeť.
- Nenechávejte napájecí kabel ležet na ostrých předmětech, které by mohly prorazit vnější izolaci. Před použitím proveďte vizuální kontrolu napájecího kabelu a pokud je poškozený, nechte jej vyměnit ve specializovaném servisu. Výrobek nepoužívejte, je-li kabel poškozený.
- Napájecí kabel chraňte před teplem, mrazem, oleji, rozpouštědly a jakýmkoliv ostrými předměty nebo hranami.
- Elektrické připojení, například prodlužovací kabel, musí být vždy chráněno před vlhkostí.
- Vždy zkontrolujte, zda se napětí uvedené na štítku vašeho spotřebiče shoduje s napájecím napětím sítě. Napájecí napětí musí být střídavé 230 V.
- Nikdy nenechávejte běžet tento spotřebič nasucho – mimo vodu. Pokud se spotřebič přehřeje, tepelná pojistka jej vypne. Pokud se tak stane, před opětovným zapnutím spotřebiče počkejte 5 minut.
- Zapínejte opět napájení pouze v případě, máte-li

suché ruce.

- Nikdy nepoužívejte toto zařízení v jezírku nebo bazénu, pokud jsou ve vodě lidé!
- Nepoužívejte toto čerpadlo na pitnou vodu.
- Korozivní, hořlavé nebo výbušné látky, mastnota, olej, slaná voda ani odpadní voda nesmí být tímto čerpadlem čerpány.
- Hodnota pH vody musí být mezi 6,5 a 8,5.
- Teplota čerpané kapaliny nesmí překročit 35 °C.

Elektrická bezpečnost

Používáte-li elektrická zařízení, vždy dodržujte bezpečnostní předpisy platné ve vaší zemi, aby bylo omezeno riziko vzniku požáru, úrazu elektrickým proudem nebo zranění. Prostudujte si následující bezpečnostní pokyny a také přiložené bezpečnostní pokyny.



Vždy zkontrolujte, zda se napájecí napětí sítě shoduje s napájecím napětím na výkonovém štítku.

Připojení k napájecímu napětí

Zkontrolujte, zda jsou napájecí napětí a zástrčka napájecího kabelu vhodné pro váš stroj. Podívejte se na výkonový štítek stroje. Všechny změny smí provádět pouze kvalifikovaný elektrikář.



Varování! Toto zařízení musí být uzemněno. Není-li toto zařízení řádně uzemněno, může dojít k úrazu elektrickým proudem. Ujistěte se, zda je používána zásuvka uzemněná. Máte-li jakékoli pochybnosti, požádejte o kontrolu kvalifikovaného elektrikáře.



Varování! Při připojování (odpojování) zástrčky k (od) zásuvce se vyvarujte kontaktu s kolíky zástrčky. Takový kontakt způsobí vážný úraz elektrickým proudem.

Výměna kabelů nebo zástrček

Dojde-li k poškození napájecího kabelu, musí být vyměněn výrobcem, jeho autorizovaným servisem nebo osobou s příslušnou kvalifikací, aby bylo zabráněno možným rizikům. Po výměně napájecích kabelů nebo zástrček staré kabely a zástrčky ihned zlikvidujte. Připojení zástrčky poškozeného kabelu k síťové zásuvce je velmi nebezpečné.

Použití prodlužovacích kabelů

Používejte pouze schválený prodlužovací kabel,

který je vhodný pro příkon tohoto stroje. Minimální průřez vodiče je 1,5 mm². Používejte-li cívkou s kabelem, vždy z cívky odvíjte celý kabel.

2. INFORMACE O ZAŘÍZENÍ

Toto automatické čerpadlo je určeno pro soukromé použití pro zásobování domácností vodou a pro zavlažování zahrad; není tedy určeno pro komerční použití. Čerpadlem se nesmí dopravovat výbušné, korozivní, hořlavé látky, odpadní voda, slaná voda, mastnota ani olej.

Toto čerpadlo je určeno výhradně pro čerpání čisté a dešťové vody. Velikost částic pevných látek ve znečištěné vodě nesmí překročit maximální velikost částic uvedenou v technických údajích.

Toto čerpadlo není určeno pro nepřetržitý provoz (například jako oběhové čerpadlo bazénu nebo jezírka).

TECHNICKÉ ÚDAJE

Model č.	GP527AC	GP528AC
Kryt čerpadla	Plast	Nerezová ocel
Napětí	230 V stříd. / 50 Hz	
Příkon	800 W	1 000 W
Maximální průtok (obr. C)	3 300 l/hod	3500 l/hod
Maximální tlak	4 bar	4,4 bar
Maximální čerpací výška (obr. C)	40 m	44 m
Maximální sací výška automatického nasávání	8 m	
Maximální velikost částic	1 mm (čistá voda)	
Spínací tlak	1,5-2,5 bar	
Výchozí spínací tlak	1,5 bar	
Ochrana proti chodu na sucho	Ano	
Ukazatel tlaku	Ano	
Zpětná klapka (tlakový spínač)	Ano	
Maximální teplota vody	35 °C	
Krytí	IPX4	
Tlakové připojení (spínač)	Vnější závit G1"	

Sací připojení	Vnitřní závit G1"	
Doporučený vnitřní průměr hadice (sací hadice)	25 mm, 32 mm, 38 mm	
Délka napájecího kabelu	1,2 m	
Hmotnost	6,86 kg	7,24 kg
Úroveň akustického tlaku L_{PA}	62,6 dB(A) K = 2,22 dB(A)	66,2 dB(A) K = 2,66 dB(A)
Úroveň akustického výkonu L_{WA}	74,5 dB(A) K = 2,22 dB(A)	78,1 dB(A) K = 2,66 dB(A)

POPIS

Čísla v následujícím textu odkazují na obrázky na stranách 2-7.

1. Vypínač
2. Výpustná zátka
3. Vstup vody (čerpadla)
4. Zpětná klapka / pojistka proti zpětnému toku (není součástí dodávky)
5. Plnicí zátka
6. Výstup vody (čerpadla)
7. Rukojeť pro přenášení
8. Sací hadice (není součástí dodávky)
9. Vstup vody (tlakového spínače)
10. Výstup vody (tlakového spínače)
11. Ukazatel tlaku
12. Tlačítko pro reset
13. LED indikátor napájení
14. LED indikátor poruchy
15. LED indikátor zapnutí
16. Šroub pro nastavení tlaku

3. SESTAVENÍ



Před prováděním jakýchkoliv prací na tomto čerpadle vypojte zástrčku jeho napájecího kabelu ze síťové zásuvky.

Montáž rukojeti (obr. D)

1. Nasaďte rukojeť (7) na čerpadlo, jak ukazuje obrázek D.
2. Upevněte rukojeť (7) utažením dvou šroubů.

Montáž tlakového spínače (obr. E)

1. Našroubujte spojku do výstupu čerpadla (6), jak ukazuje obrázek E1.

2. Našroubujte přípojku vstupu vody (9) do spojky, jak ukazuje obrázek E2.

Instalace čerpadla (obr. G)

Toto čerpadlo musí být nainstalováno v dobře větraném a suchém prostředí. Mohlo by být nainstalováno i venku za předpokladu, že bude řádně a správně zakryto, aby bylo chráněno před deštěm a větrem. Ujistěte se, zda je toto čerpadlo umístěno na vodorovném a stabilním povrchu. Vždy umístěte zahradní čerpadlo výše, než je hladina vody, jak ukazuje obrázek G.

Připojení sací hadice (obr. A, F, G)



Na sací straně čerpadla nepoužívejte žádné spojky systému pro připojení hadic ani standardní vodní hadice! Musí být použita sada sací hadice (8) s vhodnou spojkou (vnější závit G1") a zpětný ventil (4). Zpětný ventil (4) brání zpětnému toku vody na konci procesu čerpání.



Pro dosažení maximálního průtoku musí být použita hadice (8) s průměrem 25 mm, 32 mm nebo 38 mm (vnitřní průměr).



Sací hadice (8) musí být, pokud možno, co nejkratší.

1. Sejměte ochrannou krytku ze spojky přívodu vody.
2. Naplňte sací hadici (8) čistou vodou z vodovodu, jak ukazuje obrázek F.
2. Závitovou spojkou sací hadice omotejte páskou na utěsnění závitů (teflonovou páskou).
3. Zašroubujte spojkou sací hadice vzduchotěsně do přívodu vody (3).
4. Zpětný ventil (4) musí být umístěn svisle a minimálně 30 cm ode dna, aby nedocházelo k nasávání písku a kamínků, jak ukazuje obrázek G.

Připojení výstupní hadice (obr. B)



Čím větší je průměr hadice a hadicové spojky, tím vyšší je průtok.



Čím nižší je dopravní výška, tím vyšší je průtok.

1. Rozhodněte se, jaký průměr hadice a jaký typ systému hadicové spojky budete používat.
2. Omotejte přípojku pro vstup vody (10) páskou

pro utěsnění závitů (teflonovou páskou).

3. Našroubujte spojku (není součástí dodávky) na výstup vody (10).
4. Připojte hadici (není součástí dodávky) ke spojce.
5. Zkontrolujte, zda tato hadice není přelomená.

Naplnění čerpadla vodou (obr. A, H)

1. Odšroubujte a sejměte zátku plnicího otvoru (5).
2. Naplňte čerpadlo čistou vodou z vodovodu, jak ukazuje obrázek H. Nepřepíňujte čerpadlo.
3. Nasadte zpět zátku plnicího otvoru (5) a nadměrně ji neutahujte.

4. POUŽITÍ



Nikdy nepoužívejte toto čerpadlo v jezírku nebo bazénu, pokud jsou ve vodě lidé!



Zapínejte nebo vypínejte napájení pouze v případě, máte-li suché ruce.



Nikdy nespouštějte čerpadlo, dokud nejsou toto čerpadlo a sací hadice (8) naplněny vodou.



V pravidelných intervalech čistěte zpětný ventil (není součástí dodávky) a předfiltr (není součástí dodávky) a kontrolujte, zda nejsou poškozeny. Jinak by mohla být jeho funkce narušena.

Zapnutí a vypnutí (obr. A)

1. Před připojením tlakového spínače k napájecímu zdroji zkontrolujte, zda je vypínač čerpadla (1) v poloze „0“.
2. Chcete-li toto čerpadlo zapnout, přepněte vypínač čerpadla (1) do polohy „I“.
3. Pomocí tlakového spínače můžete automaticky regulovat provoz zahradního čerpadla. Otevřete připojený kohout nebo stříkací pistoli, aby se čerpadlo rozběhlo. Zapnete-li čerpadlo, ve vodě bude nejdříve hodně vzduchu. To není příznakem závady čerpadla, ale odstraňování vzduchu z čerpadla. Je-li čerpadlo ponořeno poprvé, může to trvat několik sekund, než veškerý vzduch unikne.
4. Zavřete-li připojený kohout nebo stříkací pistoli, čerpadlo přestane automaticky čerpat.
5. Chcete-li čerpadlo vypnout, přepněte vypínač čerpadla (1) do polohy „0“.

Tlakový spínač je vybaven 3 LED indikátory (13, 14, 15), které indikují stav tlakového spínače:

LED indikátory	Provozní stav
LED indikátor napájení (13)	Tlakový spínač je připojen k napájecímu napětí. Tlakový spínač je připraven k použití.
LED indikátor poruchy (14)	Čerpadlo běží na sucho, bez vody. Aktivuje se ochrana před chodem na sucho. Pomocí návodu k obsluze čerpadla vyhledejte příčinu poruchy a opravte ji. Poté restartujte čerpadlo stisknutím tlačítka pro reset (12) na tlakovém spínači.
LED indikátor zapnutí (15)	Čerpadlo je v provozu.

Odečítání tlaku (obr. B)

Tlak v potrubí může být odečítán na ukazateli tlaku (11). Černá stupnice indikuje tlak v jednotkách bar.

Nastavení spínacího tlaku (obr. A, B)

Výchozí spínací tlak je 1,5 bar. Spínací tlak lze nastavit v rozmezí od 1,5 do 2,5 bar.

Šroub pro nastavení tlaku (16) slouží k nastavení spínacího tlaku. Každé otočení o 360° sníží nebo zvýší spínací tlak o asi 0,2 bar.

- Otáčením ve směru hodinových ručiček se tlak zvýší.
- Otáčením proti směru hodinových ručiček se tlak sníží.

Ukončení použití (obr. A, I)



Nedotýkejte se čerpadla, dokud neuplyne alespoň 5 minut od vypnutí jeho napájení.



Hrozí-li riziko mrazu nebo pokud neplánujete čerpadlo delší dobu používat, musíte jej řádně uložit.

1. Zkontrolujte, že je vypínač (1) v poloze „0“.
2. Vypojte zástrčku napájecího kabelu ze síťové zásuvky.
3. Odšroubujte a sejměte výpustnou zátku (2). Nechejte vytéct vodu.
4. Vytáhněte nahoru sací hadici (pozor, je plná vody).
5. Odšroubujte sací hadici (8) z přívodu vody (3).

- Sejměte filtr a zpětný ventil (4) a potom proveďte propláchnutí čistou vodou. Ujistěte se, že v sací hadici (8) nezástala žádná voda.
- Sejměte hadici z výstupu vody (10). Vyšroubujte spojku z výstupu vody (10).
- Nasadte zpět výpustnou zátku (2), neutahujte ji příliš.
- Vyčistěte a uložte toto zařízení (viz část „Údržba“)

5. ÚDRŽBA



Před čištěním a prováděním údržby nářadí vždy vypněte a vypojte zástrčku napájecího kabelu ze síťové zásuvky.

Pravidelně čistěte kryt zařízení měkkým hadříkem, ideálně po každém použití. Odolnější nečistoty odstraňte pomocí jemného hadříku navlhčeného v mýdlové pěně. Nepoužívejte žádná rozpouštědla, jako je benzín, líh, čpavek atd. Takové chemické látky mohou způsobit poškození dílů z umělé hmoty.

Zdá-li se vám, že je čerpadlo zablokováno, vypněte napájení, odpojte zástrčku kabelu od zásuvky a zkontrolujte, zda není čerpadlo ucpáno. Vyčistěte sací hadici, zpětný ventil, předfiltr a čerpadlo.

ULOŽENÍ A OCHRANA PŘED MRAZEM

Toto čerpadlo i jeho příslušenství, ve kterém zůstala voda, může být zničeno mrazem.

Proveďte kompletní vypuštění tohoto čerpadla i jeho příslušenství, abyste je ochránili před zamrznutím.

Ukládejte toto zařízení na dobře větraných a suchých místech, kde teplota neklesá pod +5 °C.

Není-li toto zařízení používáno, uložte jej na bezpečném místě mimo dosah dětí.

PRŮVODCE ODSTRAŇOVÁNÍM PROBLÉMŮ

Problém	Příčina	Náprava
Čerpadlo se nerozeběhne	Není napájení ze sítě	Zkontrolujte napájení ze sítě
	Čerpadlo není zapnuto	Zapněte čerpadlo
	Svítil LED indikátor poruchy	Stiskněte tlačítko pro reset
	Nedostatečný tlak čerpadla	Zkontrolujte, že je tlak čerpadla o 0,8 bar vyšší než aktivní tlak spínače.
Čerpadlo běží, ale není čerpána žádná voda (poté, co běželo nejméně 5 minut)	Spínací tlak je nastaven příliš nízký	Otočením šroubu pro nastavení tlaku po směru hodinových ručiček zvýšíte spínací tlak.
	Aktivovala se ochrana před chodem na sucho, protože spínací tlak je nastaven příliš vysoký	Otočením šroubu pro nastavení tlaku proti směru hodinových ručiček snížíte spínací tlak.
Čerpadlo běží, ale není čerpána žádná voda (poté, co běželo nejméně 5 minut)	Čerpadlo není zcela naplněno vodou	Znovu naplňte čerpadlo vodou a zkontrolujte zpětný ventil sací hadice
	Vzduch v sací hadici	Zkontrolujte utěsnění spojení na sací hadici
	Hladina vody je příliš nízká	Upravte instalační výšku čerpadla (< 8 m)
Čerpadlo se nezastavuje nebo nerozbíhá, popřípadě se neustále zastavuje	Došlo k ucpání sací hadice, zpětného ventilu, předfiltru a čerpadla	Vyčistěte sací hadici, zpětný ventil, předfiltr nebo čerpadlo
	Spínací tlak je nastaven příliš vysoký	Otočením šroubu pro nastavení tlaku proti směru hodinových ručiček snížíte spínací tlak.

<p>Nedostatečný tlak</p>	<p>Nesprávný typ čerpadla</p> <p>Sací hadice je příliš dlouhá nebo má příliš mnoho ohybů; průměr sací hadice není zvolen podle správně</p> <p>Došlo k ucpání sací hadice, zpětného ventilu, předfiltru a čerpadla</p> <p>Výstupní hadice je nesprávně připojena nebo nesprávně nainstalována</p>	<p>Použijte vhodné čerpadlo</p> <p>Pro dosažení maximálního průtoku musí být používána hadice s průměrem 25 mm, 32 mm nebo 38 mm (vnitřní průměr). Zkraťte sací hadici</p> <p>Vyčistěte sací hadici, zpětný ventil, předfiltr nebo čerpadlo</p> <p>Zkontrolujte výstupní hadici a její připojení. Čím větší je průměr hadice a hadicové spojky, tím vyšší je průtok. Čím nižší je dopravní výška, tím vyšší je průtok.</p>
<p>Čerpadlo se nerozběhne nebo se při používání zastaví.</p> <p>Čerpadlo se po krátkém provozu vypne</p>	<p>Aktivovala se tepelná pojistka čerpadla proti přetížení</p> <p>Bylo přerušeno napájení</p> <p>Voda je příliš horká</p>	<p>Odpojte od napájení, nechejte 5 minut vychladnout a pak vyčistěte sací hadici, zpětný ventil, předfiltr nebo čerpadlo</p> <p>Zkontrolujte pojistky a elektrická připojení</p> <p>Zajistěte, aby teplota vody nepřesáhla 35 °C</p>

OCHRANA ŽIVOTNÍHO PROSTŘEDÍ



Poškozená a likvidovaná elektrická nebo elektronická zařízení musí být odevzdána ve sběrných dvorech, které jsou určeny pro tento účel.

Pouze pro země EU

Nevyhazujte elektrická nářadí do běžného domácího odpadu. Podle evropské směrnice 2012/19/EU týkající se likvidace elektrických a elektronických zařízení a její implementace do vnitrostátního práva, musí být nepoužívaná elektrická nářadí shromažďována odděleně a jejich likvidace musí být provedena tak, aby nedošlo k ohrožení životního prostředí.

ZÁRUKA

Výrobky VONROC jsou vyvíjeny v souladu s požadavky norem na nejvyšší kvalitu a je zaručeno, že po dobu platné záruky, která začíná běžet dnem původního nákupu, nebudou na těchto výrobcích žádné vady materiálu, ani vady způsobené špatným dílenským zpracováním. Dojde-li během tohoto období k závadě v důsledku vady materiálu nebo dílenského zpracování, kontaktujte přímo firmu VONROC.

Z této záruky jsou vyloučeny následující případy:

- Opravy nebo úpravy tohoto zařízení byly provedeny nebo byly provedeny pokusy o jejich provedení v neautorizovaných servisech;
- Běžné opotřebování;
- Toto zařízení bylo nesprávně použito, nevhodně použito nebo nebyla prováděna jeho správná údržba;
- Byly použity neoriginální náhradní díly.

Výše uvedené představuje jedinou záruku poskytovanou společností, ať už výslovnou nebo předpokládanou. Neexistují žádné další záruky, výslovné ani nebo předpokládané, které přesahují rámec zde uvedeného, včetně předpokládaných záruk prodejnosti a vhodnosti pro určitý účel. VONROC v žádném případě neodpovídá za jakékoliv náhodné ani následné škody. Opravné prostředky prodejců se omezují výhradně na opravu nebo výměnu nevhovujících jednotek nebo dílů.

Na tomto výrobku a v tomto návodu mohou být prováděny změny. Specifikace mohou být změněny bez dalšího upozornění.



DECLARATION OF CONFORMITY GP527AC / GP528AC - AUTOMATIC PUMP

- (EN) We declare under our sole responsibility that this product is in conformity with directive 2011/65/EU of the European parliament and of the council of 8 June on the restriction of the use of certain hazardous substances in electrical and electronic equipment is in conformity and accordance with the following standards and regulations:
- (DE) Der Hersteller erklärt eigenverantwortlich, dass dieses Produkt der Richtlinie 2011/65/EU des Europäischen Parlaments und des Rates vom 8. Juni 2011 über die Einschränkung der Anwendung von bestimmten gefährlichen Stoffen in elektrischen und elektronischen Geräten entspricht. den folgenden Standards und Vorschriften entspricht:
- (NL) Wij verklaren onder onze volledige verantwoordelijkheid dat dit product voldoet aan de conform Richtlijn 2011/65/EU van het Europees Parlement en de Raad van 8 juni 2011 betreffende beperking van het gebruik van bepaalde gevaarlijke stoffen in elektrische en elektronische apparatuur en in overeenstemming is met de volgende standaarden en reguleringen:
- (FR) Nous déclarons sous notre seule responsabilité que ce produit est conforme aux standards et directives suivants: est conforme à la Directive 2011/65/EU du Parlement Européen et du Conseil du 8 juin 2011 concernant la limitation d'usage de certaines substances dangereuses dans l'équipement électrique et électronique.
- (ES) Declaramos bajo nuestra exclusiva responsabilidad que este producto cumple con las siguientes normas y estándares de funcionamiento: se encuentra conforme con la Directiva 2011/65/UE del Parlamento Europeo y del Consejo de 8 de junio de 2011 sobre la restricción del uso de determinadas sustancias peligrosas en los equipos eléctricos y electrónicos.
- (IT) Dichiariamo, sotto la nostra responsabilità, che questo prodotto è conforme alle normative e ai regolamenti seguenti: è conforme alla Direttiva 2011/65/UE del Parlamento Europeo e del Consiglio dell'8 giugno 2011 sulla limitazione dell'uso di determinate sostanze pericolose nelle apparecchiature elettriche ed elettroniche.
- (SV) Vi garanterar på eget ansvar att denna produkt uppfyller och följer följande standarder och bestämmelser: uppfyller direktiv 2011/65/EU från Europeiska parlamentet och EG-rådet från den 8 juni 2011 om begränsningen av användning av farliga substanser i elektrisk och elektronisk utrustning.
- (DA) Vi erklærer under eget ansvar, at dette produkt er i overensstemmelse med følgende standarder og bestemmelser: er i overensstemmelse med direktiv 2011/65/EU fra Europa-Parlamentet og Rådet af 8. juni 2011 om begrænsning af anvendelsen af visse farlige stoffer i elektrisk og elektronisk udstyr.
- (PL) Deklarujemy na własną odpowiedzialność, że ten produkt spełnia wymogi zawarte w następujących normach i przepisach: jest zgodny z Dyrektywą 2011/65/UE Parlamentu Europejskiego i Rady z dnia 8 czerwca 2011 r. w sprawie ograniczenia stosowania niektórych niebezpiecznych substancji w sprzęcie elektrycznym i elektronicznym.
- (RO) Declaram prin aceasta ca răspunderea deplină că produsul acesta este în conformitate cu următoarele standarde sau directive: este în conformitate cu Directiva 2011/65/UE a Parlamentului European și a Consiliului din 8 iunie 2011 cu privire la interzicerea utilizării anumitor substanțe periculoase la echipamentele electrice și electronice.
- (PT) Declaramos, sob nossa exclusiva responsabilidade, que este produto está em conformidade com a diretiva 2011/65/UE do Parlamento Europeu e com a diretiva do conselho de 8 de Junho sobre a restrição da utilização de determinadas substâncias perigosas em equipamento eléctrico e electrónico está em conformidade e de acordo com as seguintes normas e regulamentações:
- (HU) Kizárólagos felelősségünk tudatában kijelentjük, hogy a termék megfelel az Európai Parlamentnek és a Tanácsnak az egyes veszélyes anyagok elektromos és elektronikus berendezésekben való alkalmazásának korlátozásáról szóló 2011/65/EU irányelvének (június 8.), valamint a következő szabványoknak és jogszabályoknak:
- (CS) Prohlašujeme na svou výhradní odpovědnost, že tento výrobek splňuje požadavky směrnice 2011/65/EU Evropské rady a parlamentu ze dne 8. června, která se týká omezení používání určitých nebezpečných látek v elektrických a elektronických zařízeních, a splňuje také všechny požadavky následujících norem a předpisů:

GP527AC:

Measured sound power level: 74.5 dB(A)

Guaranteed sound power level: 77 dB(A)

GP528AC:

Measured sound power level: 78.1 dB(A)

Guaranteed sound power level: 81 dB(A)

Conformity assessment method to Annex V Directive 2000/14/EC amended by 2005/88/EC.

The notified body involved: TÜV SÜD Industrie Service GmbH, Certification Body of the Notified Body 0036

EN 60335-1, EN 60335-2-41, EN 62233, EN 55014-1, EN55014-2, EN 61000-3-2, EN61000-3-3, 2006/42/EC, 2014/30/EU, 2011/65/EU, (EU)2015/863, 2012/19/EU, 2000/14/EC, 2005/88/EC

Zwolle, 01-12-2022

H.G.F Rosberg
CEO

VONROC • Lingenstraat 6 • 8028 PM Zwolle • The Netherlands



VONROC®
BUILD YOUR FUTURE

©2022 VONROC
WWW.VONROC.COM

2212-14