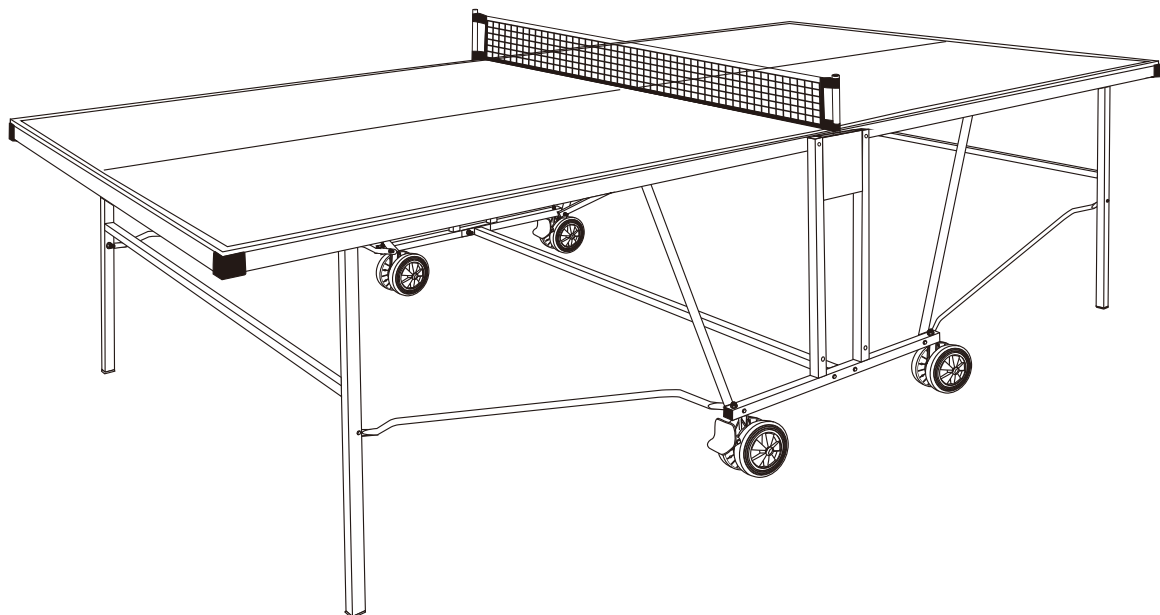


PEGASI

ASSEMBLE INSTRUCTION



INDOOR

Tafeltennistafel Pegasi Sport 500

SKU: PEG-T500IN

! Before starting to assemble the tt-table and before using it for the first time please read the assembly instructions and the information for the user very carefully. They contain important advices for safety when using the table. Please keep the instructions for your information, for maintenance and for ordering spare parts as long as you use the tt-table.

- ★ At least **two adults** have to participate in the assembly of the tt-table which should be carried out on a clean and soft floor.
- ★ Before commencing the assembly, check all the parts according to the Parts List and make sure that are all present and correct.
- ★ Please follow the ABC references for the order of the assembly.
- ★ If these is a **text mark**, please read the explanation on page 9 .
- ★ If these in a **part mark**, please read the information relating to it in the Parts List on page 10 .
- ★ For all moving parts, don' t over tightening screws, careful testing of functionality immediately after completing the assembly.
- ★ Please use the tools as indicated for each of the assembly stages.



—— Text mark

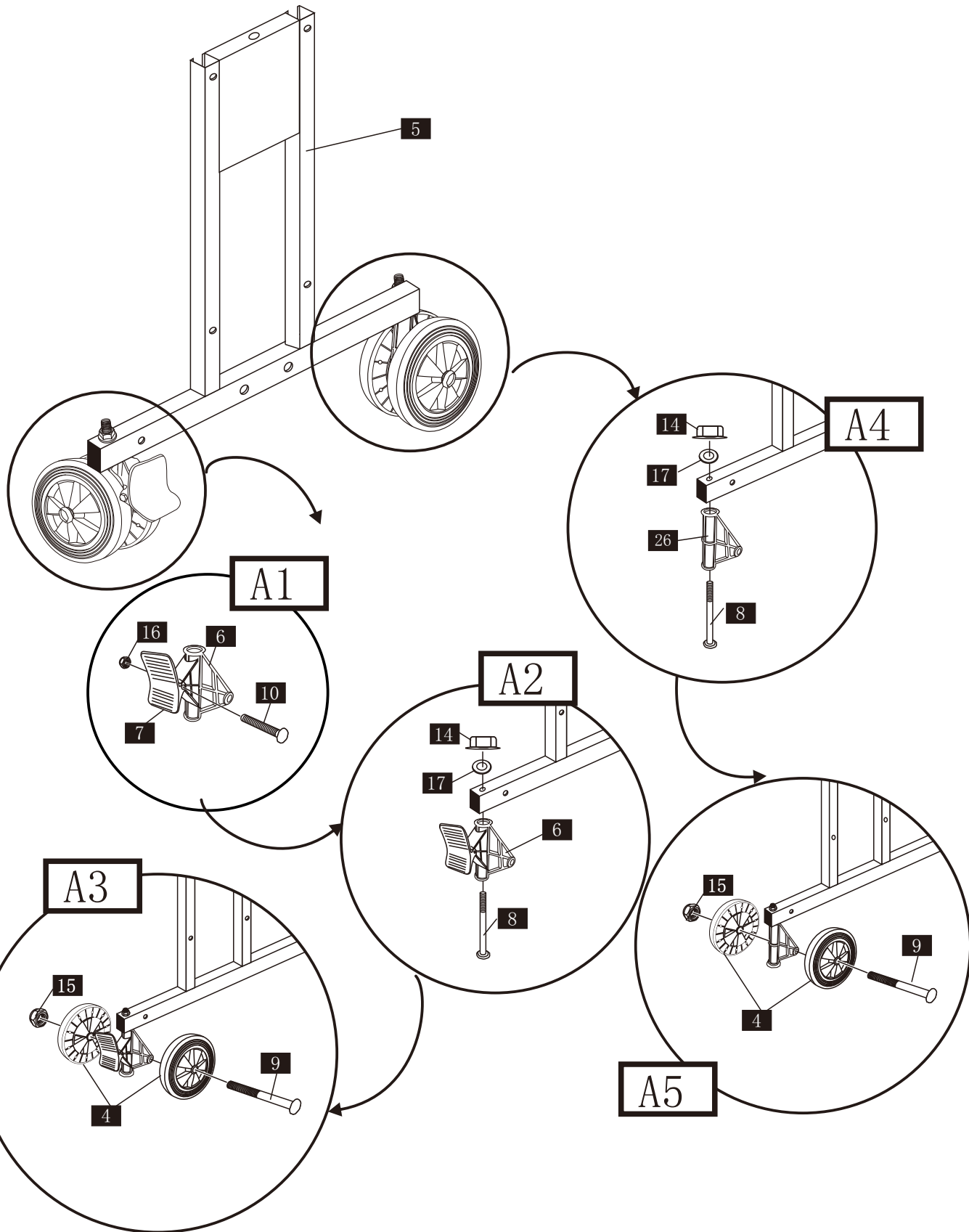
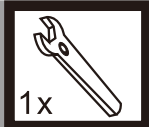
13

—— Part mark

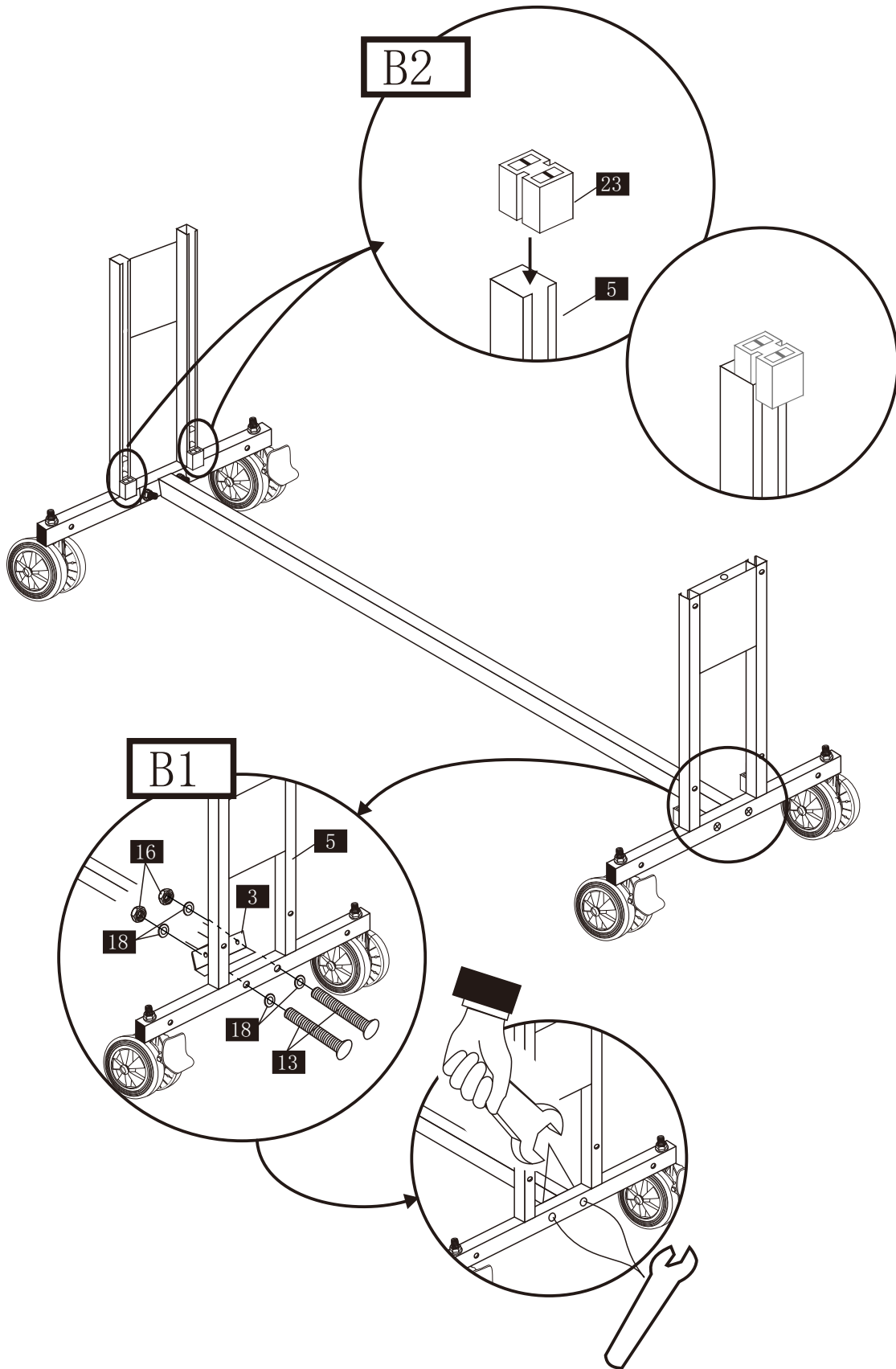


—— Tool

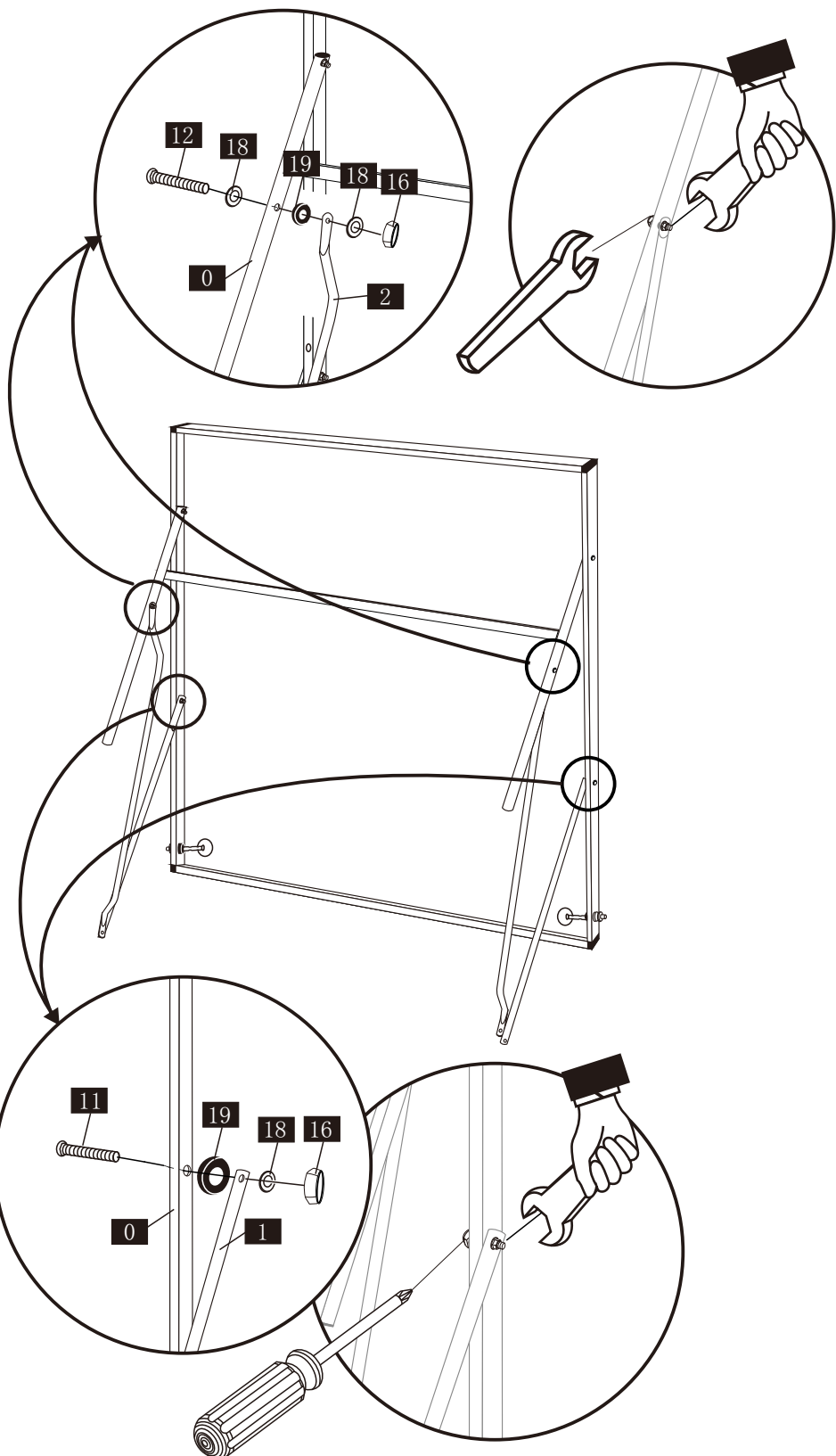
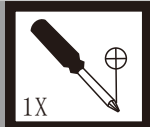
A

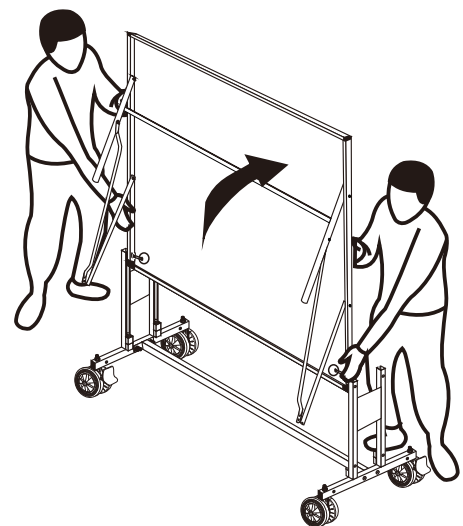
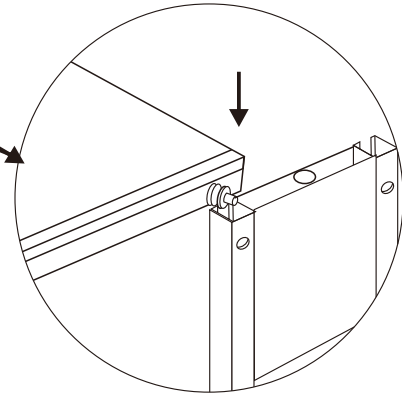
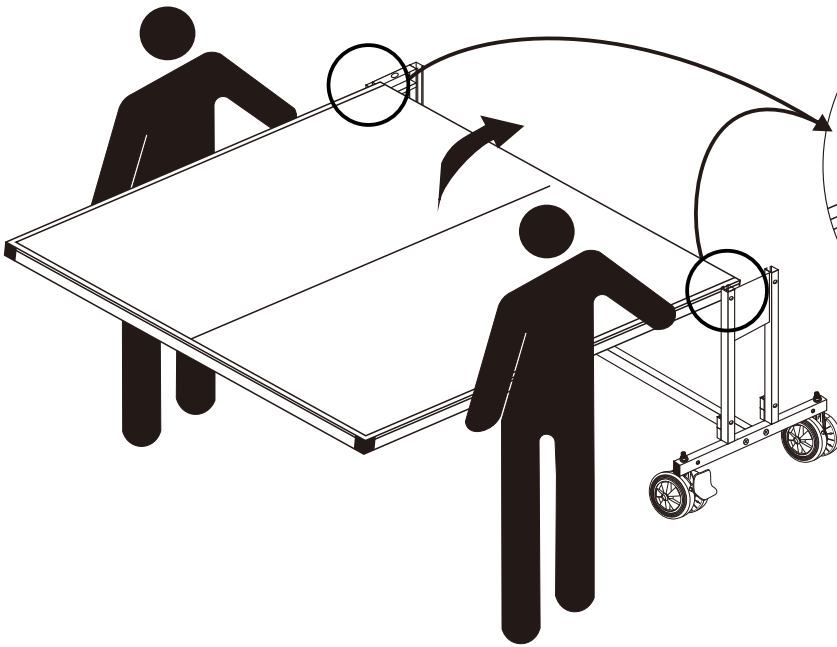
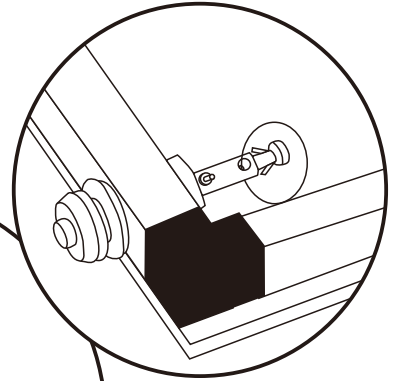
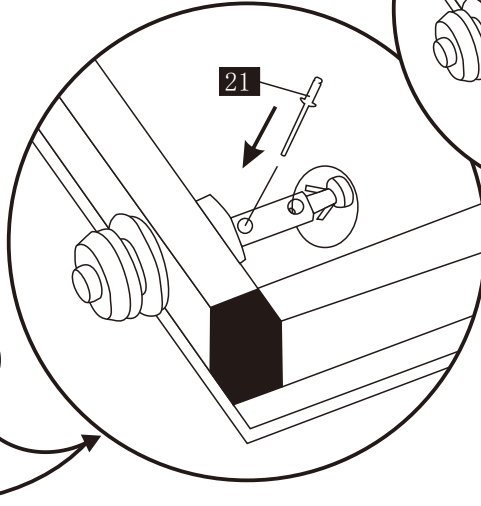
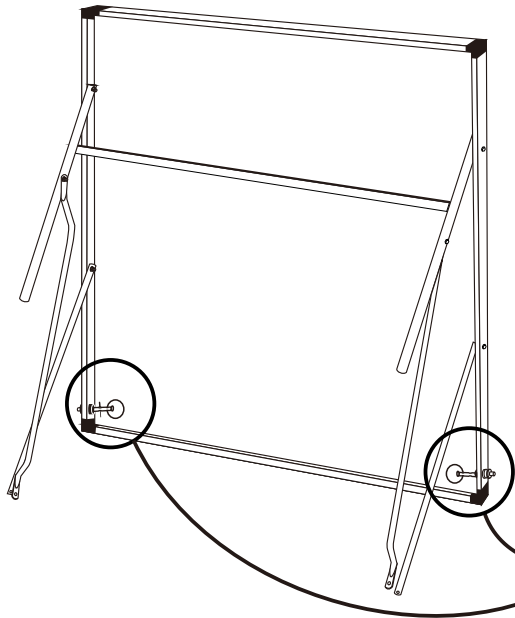


B

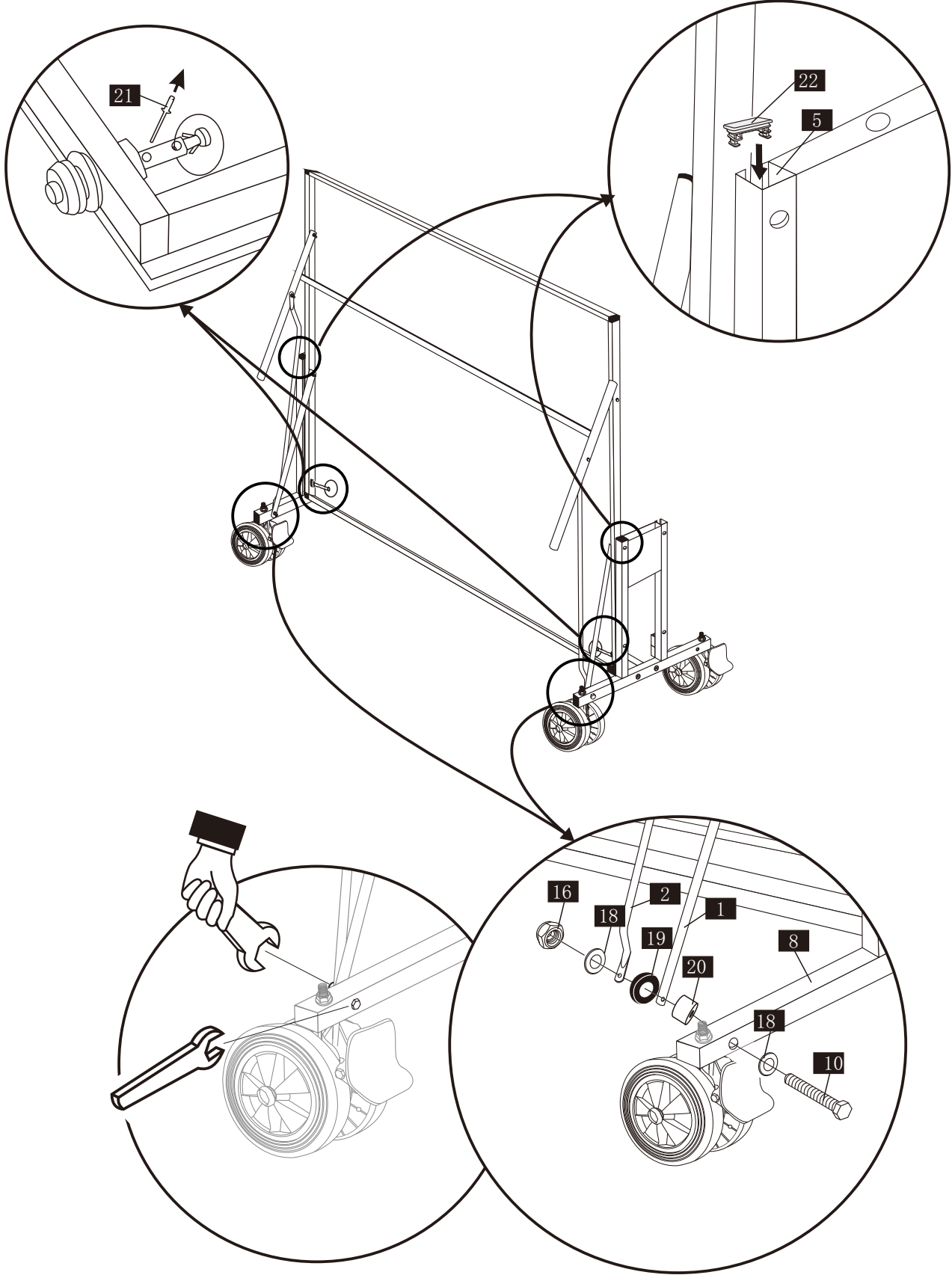


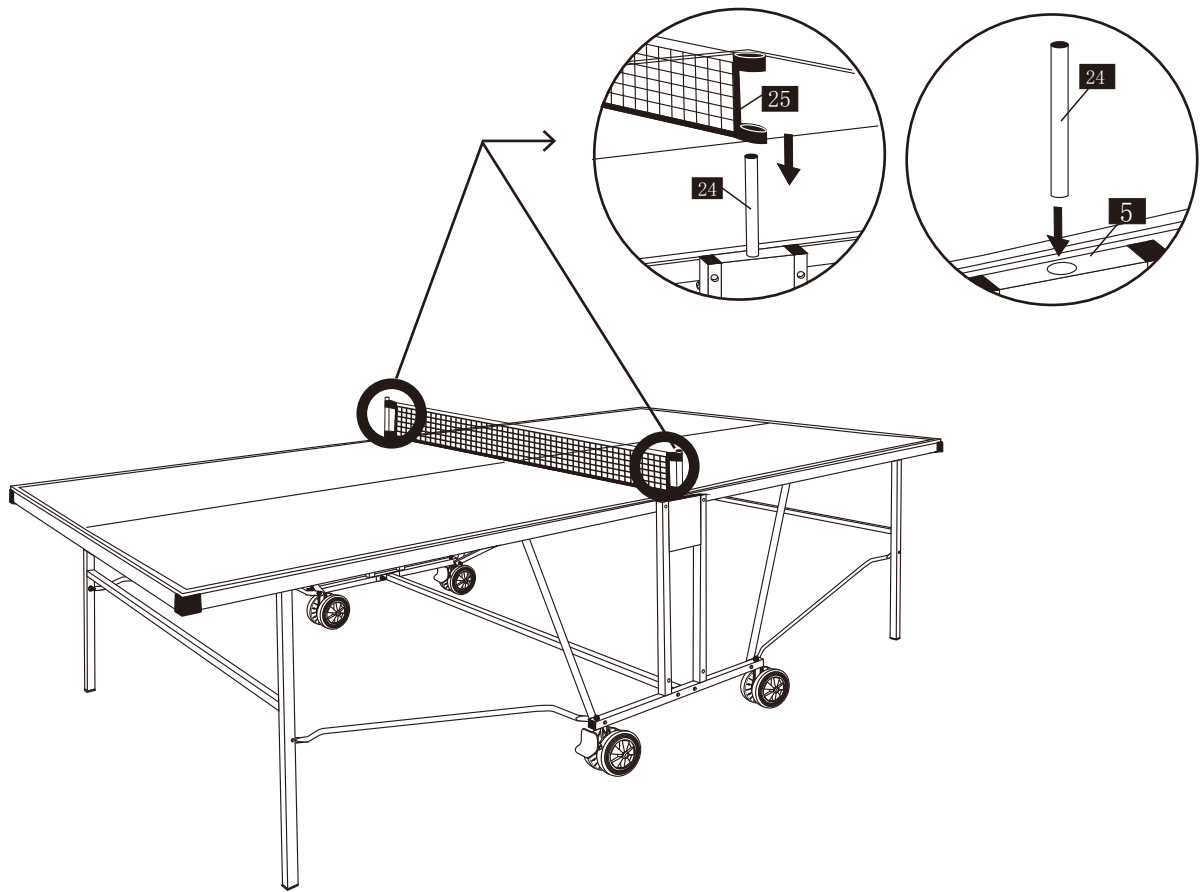
C





E





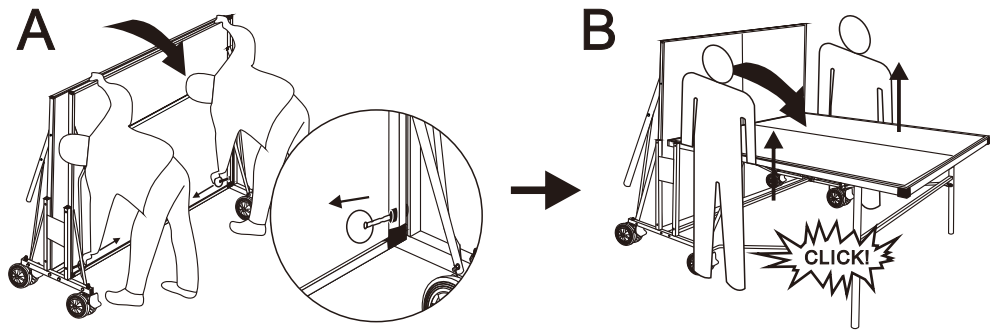


Do not store this table outdoors. Outdoor conditions will damage this table. Even with a cover, INDOOR tables will be damaged if used outside.

Do not use a wet cloth when cleaning the playing surface. Wipe any moisture off immediately.

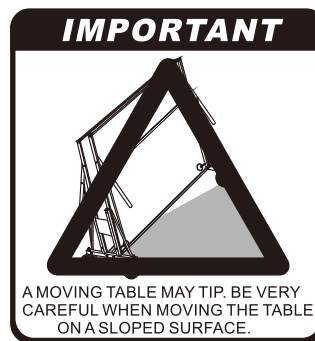
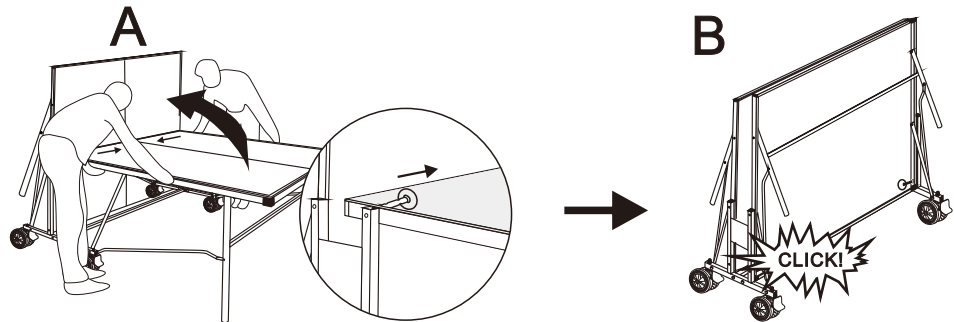
Open

- A) Pull the lock inside (refer to the arrow direction).
- B) Lower the table top to the game position. Do not allow it to fall as this might damage your table or cause injury.
- C) Be certain the table is locked in place by lifting the end of the table top near net.



Close

- A) Pull the lock inside (refer to the arrow direction).
- B) Lift the table top up to its storage position.
- C) For your safety, check that the table top is properly locked.



Test marks for the assembly



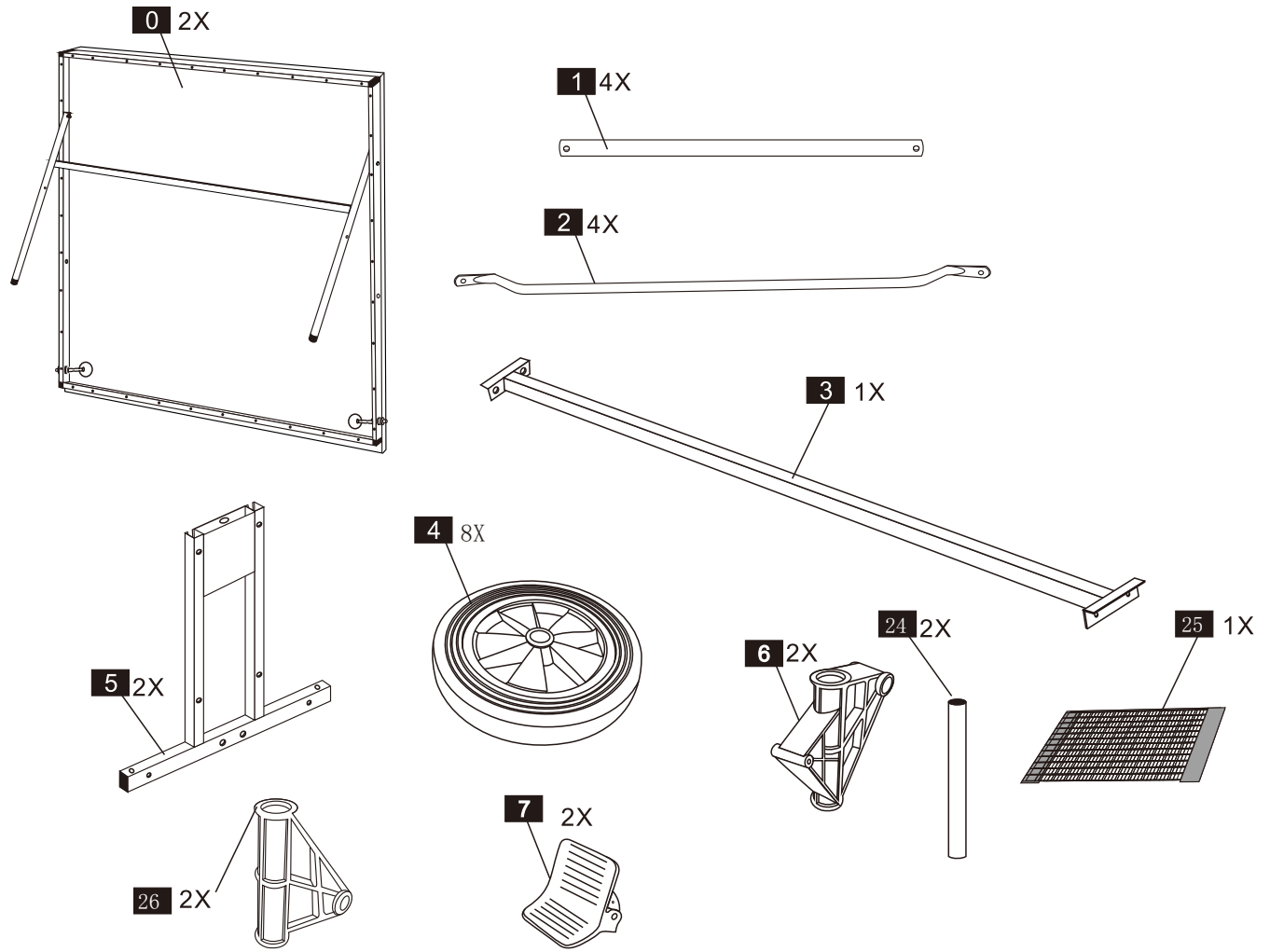
Please repeat these assembly steps with the second half top.



Go back to step “**c**” and assemble the second table top.



Please check all the working parts of the table in accordance with the Instructions for use (**page 10**) after you have completed assembly .If applicable please take care when removing the coating from the playing surface.



beware: any broken part shall be replaced; contact your retailer immediately for original spare parts

