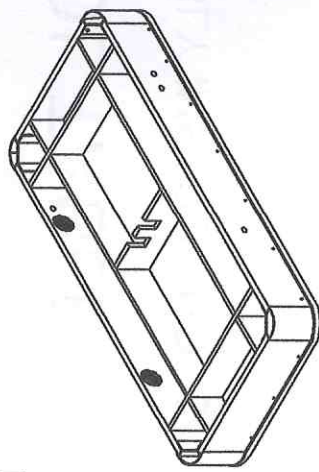



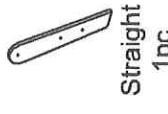
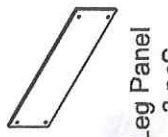








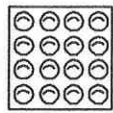
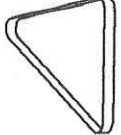

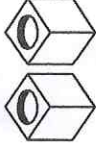




PARTS IDENTIFIER

P1	 Main Cabinet 1 set	
P2A	 Angled Leg 1 pc	 Angled Leg 1 pc
P3A	 Straight Leg 1 pc	 Straight Leg 1 pc
P4	 Leg Panel 3 pcs	 Plastic Caster A 2 pcs
P5	 Plastic Caster B 2 pcs	 1/4" x 2" Bolt 12 pcs
P6	 1/4" Flat Washer 16 pcs	 Cylindrical Nut 12 pcs
P7	 5/16" Bolt 4 pcs	 Handle Bolt 4 pcs
P8	 5/16" Flat Washer 4 pcs	P1

PARTS IDENTIFIER

A1	 Pool Ball 1 set	A2	 Triangle 1 pc	A3	 Cue Stick 2 pcs
A4	 Chalk 2 pcs	A5	 Brush 1 pc	A6	 Allen Key 1 pc

ASSEMBLY INSTRUCTIONS

POOL TABLE ASSEMBLY

WARNING: TWO ADULTS NEEDED TO ASSEMBLE POOL TABLE

Find a clean, level place to begin the assembly of your pool table. We recommend building the table on the box top to protect the parts during assembly.

1. Attach the leg (P2A/P2B) & (P3A/P3B) to the main cabinet (P1) using handle bolt (P7) and the 5/16" washers (H2).
2. Insert the leg caster (P5) & (P6) through the predrilled hole in the extremity of the leg.

