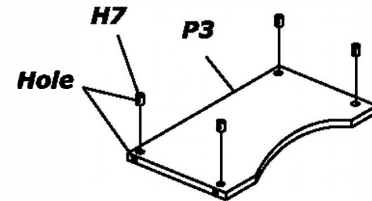


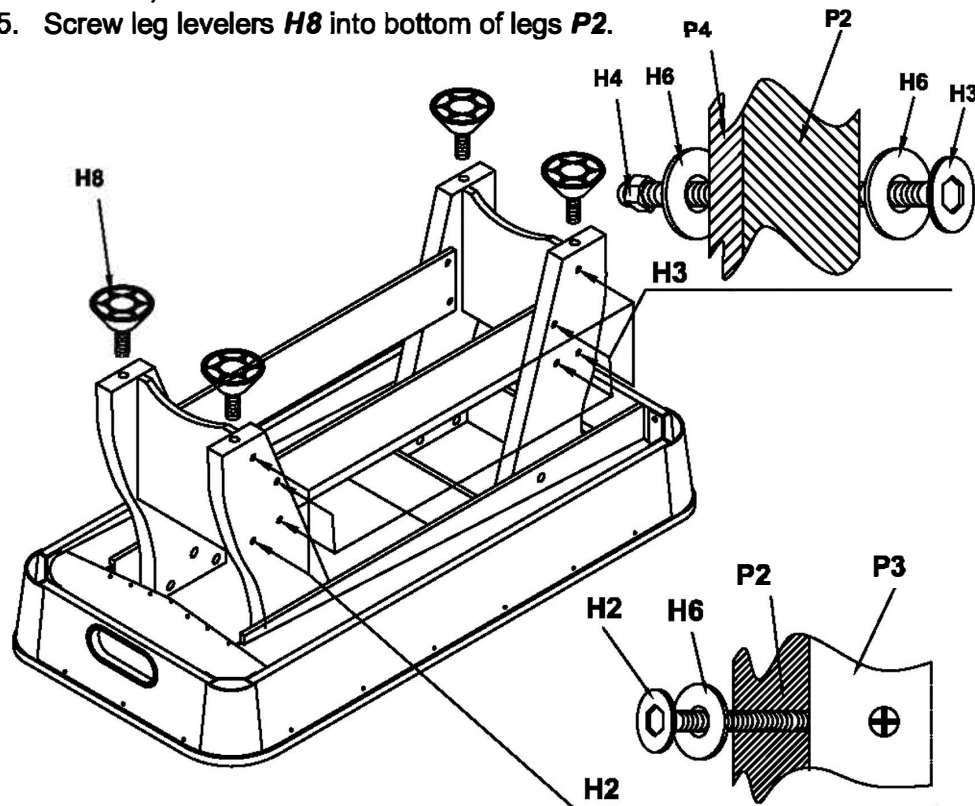
ASSEMBLY INSTRUCTIONS

POOL TABLE ASSEMBLY

WARNING: TWO ADULTS NEEDED TO ASSEMBLE POOL TABLE



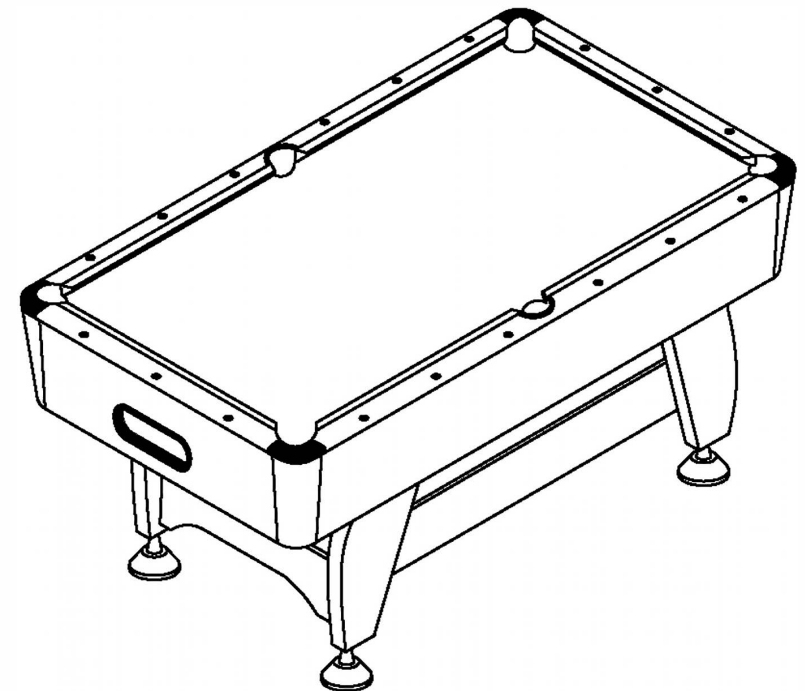
2. Insert the nut **H7** into the hole of the end panels **P3**. The hole of the nut align the hole of the panel. see the **FIGURE**
3. Attach the end leg panels **P3** to the **INSIDE** surface of legs **P2** using 1/4" bolts **H2**, washers **H6** (The threaded barrel are pre-assembled in the end leg panels **P3**)
4. Attach the leg side panels **P4** to the **INSIDE** surface of legs **P2** using 1/4" bolts **H3**, washers **H6** and lock hex nuts **H4**.
5. Screw leg levelers **H8** into bottom of legs **P2**.



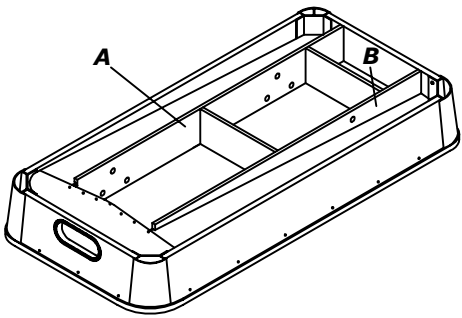
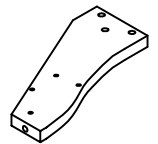
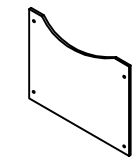
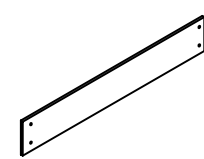

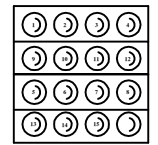
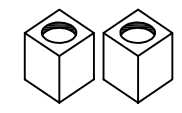
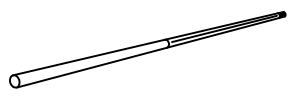


POOL TABLE

ASSEMBLY INSTRUCTIONS

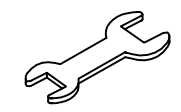
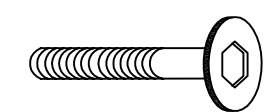
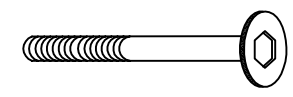
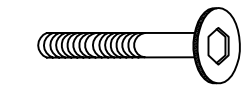
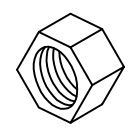

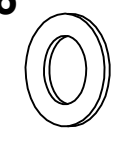
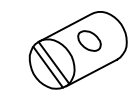
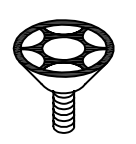
PEGASI



PARTS IDENTIFIER

P1  MAIN ASSEMBLY 1set	A LONG RAIL, A 1pc	
	B LONG RAIL, B 1pc	
P2  LEG 4pcs	P3  LEG END PANEL 2pcs	P4  LEG SIDE PANEL 2pcs
A1  BRUSH 1pc	A2  BILLIARD BALL 1set	A3  CHALK 2pcs
A4  CUE STICK 2pcs	A5  TRIANGLE 1pc	A6  SMALL ALLEN KEY 1pc

PARTS IDENTIFIER

A7  WRENCH 1pc	H1  5/16" BOLT 12pcs	
H2  1/4" BOLT(long) 8pcs	H3  1/4"xBOLT(short) 8pcs	H4  1/4" LOCK HEX NUT 8pcs
H5  5/16"BLACK FLAT WASHER 12pcs	H6  1/4"BLACK FLAT WASHER 24pcs	H7  CYLINDRICAL NUT 8 pcs
		H8  LEG LEVELER 4pcs

ASSEMBLY INSTRUCTIONS POOL TABLE ASSEMBLY

WARNING:TWO ADULTS NEEDED TO ASSEMBLE POOL TABLE

1.Using bolts **H1** and washers **H5**. Attach leg **P2** to long rail section **A & B**.

