

ASSEMBLY INSTRUCTIONS

SOCCKER TABLE ASSEMBLY

WARNING: TWO ADULTS NEEDED TO ASSEMBLE SOCCER TABLE

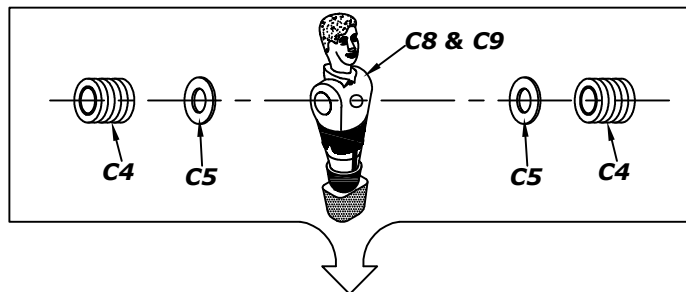
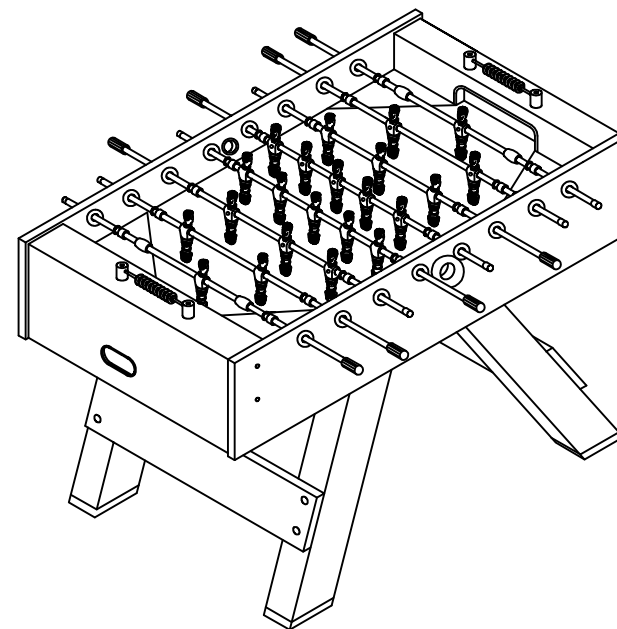


TABLE SOCCER

ASSEMBLY INSTRUCTIONS




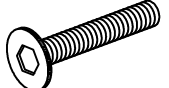

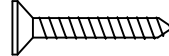
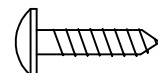
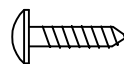
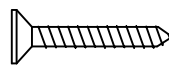
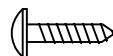
PEGASI

			QTY
	R1	5 HOME PLAYERS ROD	1
	R2	3 HOME PLAYERS ROD	2
	R3	2 HOME PLAYERS ROD	1
	R4	1 HOME PLAYERS ROD	1
	R5	5 AWAY PLAYERS ROD	2
	R6	3 AWAY PLAYERS ROD	2
	R7	2 AWAY PLAYERS ROD	2
	R8	1 AWAY PLAYERS ROD	1





PARTS IDENTIFIER

HARDWARE

	DESCRIPTION	QTY. REQUIRED
	H1 1/4"x1-5/8" BOLT	8
	H2 1/4"x1-1/8" BOLT	8
	H3 1/4" WASHER, BLACK FLAT	16
	H4 5/16"x1-1/8" BOLT	12
	H5 5/16" WASHER, BLACK FLAT	12
	H6 1" FLAT HEAD PHILLIPS SCREW	8
	H7 5/8" ROUND HEAD PHILLIPS SCREW	2
	H8 1/2" ROUND HEAD PHILLIPS SCREW	24
	H9 1-3/4" FLAT HEAD PHILLIPS SCREW	4
	H10 3/8" ROUND HEAD PHILLIPS SCREW	4

ACCESSORIES

	DESCRIPTION	QTY
	A1 SOCCER BALL	4
	A2 TOOL	1

ASSEMBLY INSTRUCTIONS

SOCCER TABLE ASSEMBLY

WARNING: TWO ADULTS NEEDED TO ASSEMBLE SOCCER TABLE

- INSERT THE PLAYER RODS **C1&C2&C3** THROUGH ONE SIDE PANEL, THEN INSERT PLAYERS **C8&C9** AND RUBBER BUSHINGS **C4**, PLASTIC WASHERS **C5** THROUGH THE ROD, REFER TO **R1~R8**. THEN INSERT THE PLAYER ROD THROUGH OTHER SIDE PANEL, ATTACH THE PLAYERS **C8&C9** WITH BOLTS **C6** AND NUTS **C7**. SEE **Figure 5**.
- ATTACH BALL ENTRY CUPS **P9A** AND BALL ENTRY SOCKET **P9B** TO THE SIDE PANELS WITH SCREWS **H7** AS SHOWN IN **figure 5**. ATTACH THE TWO SETS OF SLIDE SCORER **P10** TO THE END OF TABLE WITH PHILLIS HEAD SCREWS **H9**.
- SLIDE THE HANDLES **P7** ONTO THE ENDS OF THE RODS WITH THE HOLE CLOSE TO THE END. SLIDE THE RUBBER CAPS **P8** ON THE OTHER END OF THE ROD.

Tighten all the hardware before playing games !

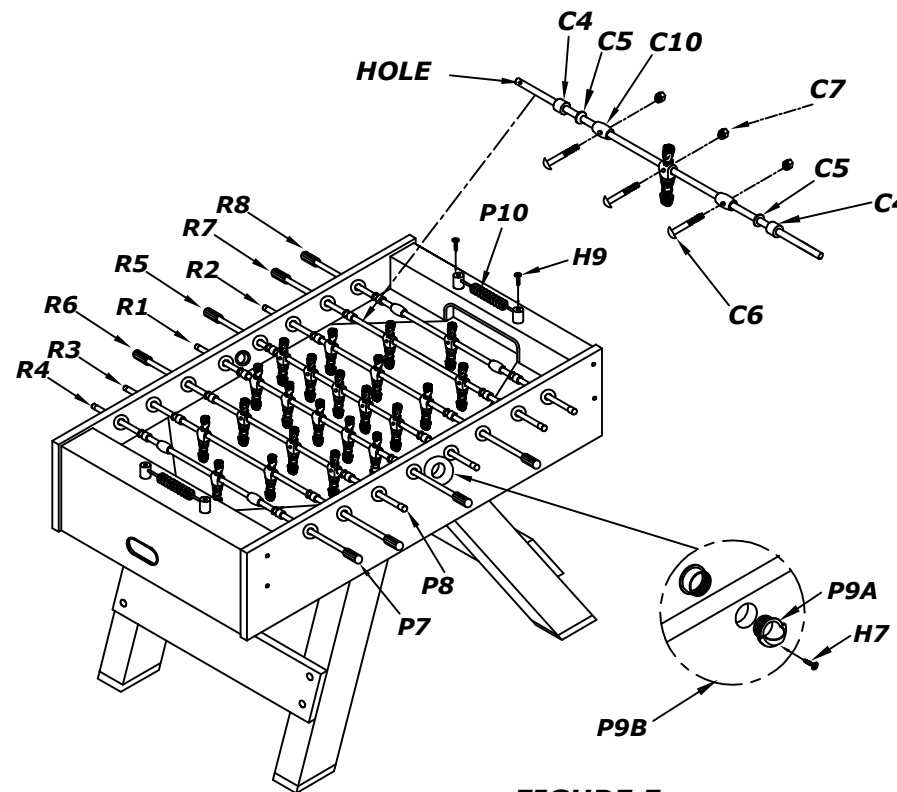


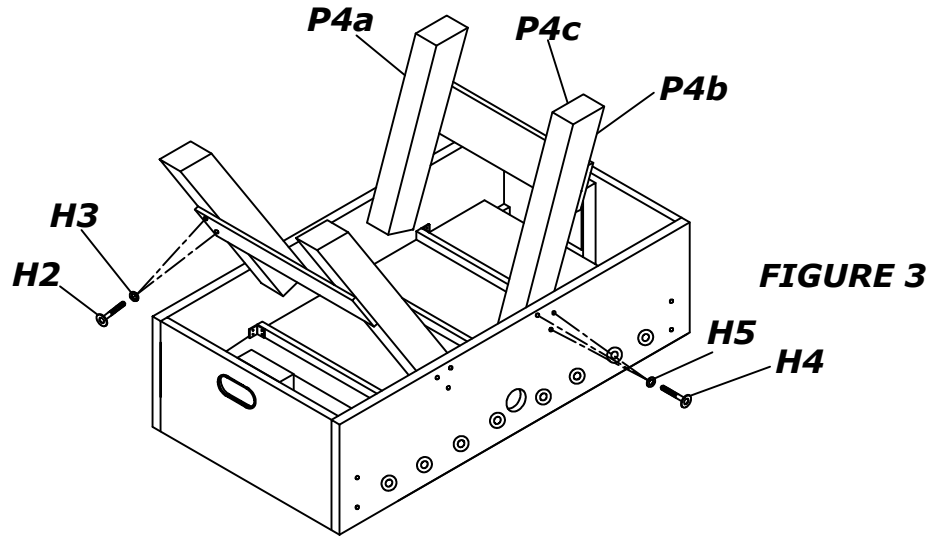
FIGURE 5

ASSEMBLY INSTRUCTIONS

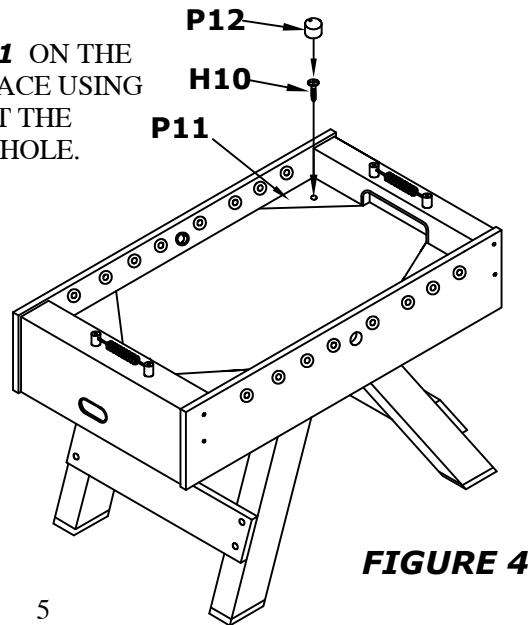
SOCCKER TABLE ASSEMBLY

WARNING: TWO ADULTS NEEDED TO ASSEMBLE SOCCER TABLE

4. ATTACH THE LEGS **P4&P4B** AS SHOWN IN **figure 3**.
 THE LEGS ARE ATTACHED WITH BOLTS **H4** AND WASHERS **H5**.
 ATTACH THE LEG PANELS **P4C** WITH BOLTS **H2** AND WASHERS **H3**.
 (TIGHTEN HARDWARE AT THIS TIME).



5. PLACE THE TRIANGLES **P11** ON THE CORNER OF PLAYING SURFACE USING SCREWS **H10**, THEN INSERT THE PLUGS **P12** TO COVER THE HOLE. SEE **FIGURE 4**.



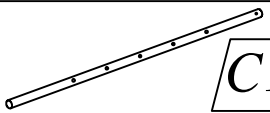
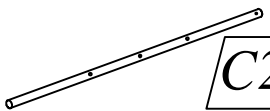
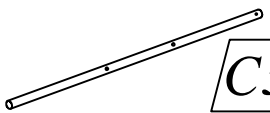

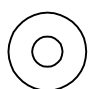
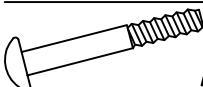
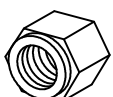



PARTS IDENTIFIER

ASSEMBLY PARTS

	DESCRIPTION	QTY
	P1 SIDE PANEL	2
	P2 END PANEL	2
	P3 PLAYING FIELD	1
	P4A LEG A	2
	P4B LEG B	2
	P4C LEG PANEL	2
	P5 PLAYFIELD SUPPORT BRACE	3
	P6 SUPPORT BRACKET	6
	P7 HANDLE	8
	P8 ROD END CAP	8
	P9A BALL ENTRY CUP	2
	P9B Ball Entry Socket	2
	P10 SLIDE SCORER	2
	P11 PLUG	4
	P12 TRIANGLE	4

PARTS IDENTIFIER

REPLACEMENT PARTS

	DESCRIPTION	QTY
 C1	5 PLAYER ROD	2
 C2	3 PLAYER ROD	4
 C3	2 PLAYER ROD	2
 C4	RUBBER BUSHING	16
 C5	PLASTIC ROD WASHERS	16
 C6	BOLT(used to install men)	26
 C7	LOCKING NUT (used to install men)	26
 C8	HOME MEN	11
 C9	AWAY MEN	11
 C10	STOP RING	4

ASSEMBLY INSTRUCTIONS

SOCGER TABLE ASSEMBLY

1. ATTACH THE TWO END PANELS **P2** TO THE SIDE PANELS **P1** AS SHOWN IN **figure 1**. **REMEMBER: THE GROOVE MUST FACE INWARD TOWARD THE PLAY FIELD**. ATTACH THE END PANELS WITH BOLTS **H1** AND WASHERS **H3**.
2. ATTACH PLAY FIELD WITH SCREWS **H6** IN THE ENDS AS SHOWN IN **figure 1**.

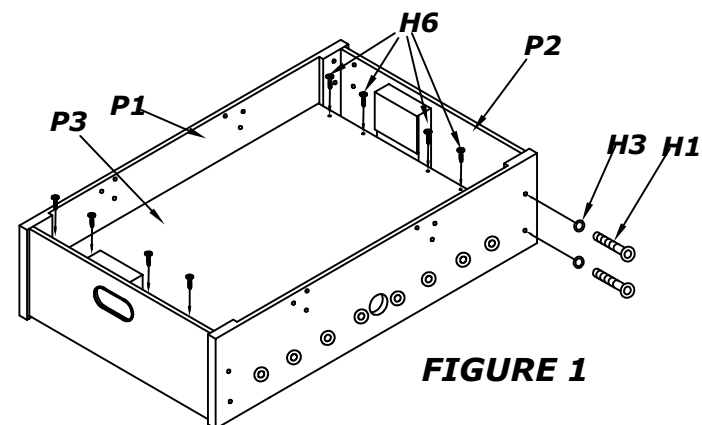


FIGURE 1

3. PLACE THE PLAYFIELD SUPPORT BRACES ON THE BOTTOM OF THE PLAYFIELD. ATTATCH THE BRACES USING BRACKETS **P6** AND SCREWS **H8**. AS SHOWN IN **figure 2**.

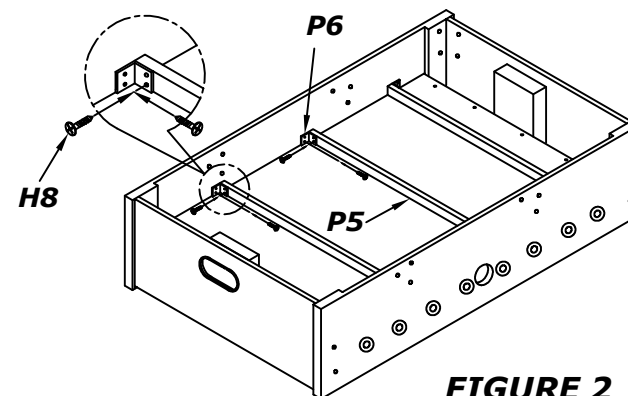


FIGURE 2