



Meaningful Innovation.

WEEE Number: 80133970

INSTRUCTION MANUAL

LED PENDANT LIGHT ADJUSTABLE HEIGHT

TECHNICAL DATA

MODEL	VT-7508
SKU	10341, 10342
TOTAL POWER	5W
MODULE POWER	5W
TOTAL VOLTAGE/FREQUENCY	AC 200-240V, 50Hz
MODULE VOLTAGE	AC 200-240V, 50Hz
TOTAL CURRENT	250 mA
MODULE CURRENT	250 mA
LUMENS	500 lm
COLOR TEMPERATURE	3000K
BEAM ANGLE	60°
CRI	>80
LIFE SPAN	20,000 Hours
ON/OFF CYCLE	>15000
IP RATING	IP20
DIMENSION	100x2000 mm



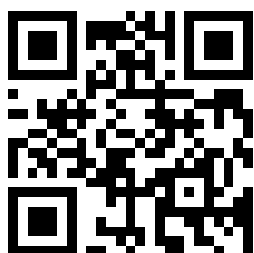
02 YEAR
WARRANTY*



Adjustable Height

INTRODUCTION & WARRANTY

Thank you for selecting and buying V-TAC product. V-TAC will serve you the best. Please read these instructions carefully before starting the installation and keep this manual handy for future reference. If you have any another query, please contact our dealer or local vendor from whom you have purchased the product. They are trained and ready to serve you at the best. The warranty is valid for 2 years from the date of purchase. The warranty does not apply to damage caused by incorrect installation or abnormal wear and tear. The company gives no warranty against damage to any surface due to incorrect removal and installation of the product. The products are suitable for 10-12 Hours Daily operation. Usage of product for 24 Hours a day would void the warranty. This product is warranted for manufacturing defects only.



MULTI-LANGUAGE MANUAL QR CODE

Please scan the QR code to access the manual in multiple languages.

In case of any query/issue with the product, please reach out to us at: support@v-tac.eu
For More products range, inquiry please contact our distributor or nearest dealers.
V-TAC EUROPE LTD. Bulgaria, Plovdiv 4000, bul.L.Karavelow 9B

INSTRUCTIONS FOR THE LIGHT

1. Please make sure to turn off the power before starting the installation.
2. Installation must be performed by a qualified electrician.
3. The light source of this luminaire is not replaceable; when the light source reaches its end of life the whole luminaire shall be replaced.
4. Proper grounding should be ensured throughout the installation.
5. For Indoor Use only

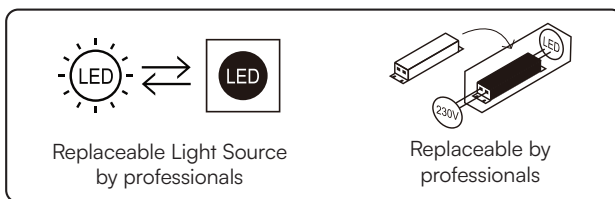


This marking indicates that this product should not be disposed of with other household wastes.



Caution, Risk of electric shock

***This product contains a light source of energy efficiency class<F>, where <F> shall be replaced by the energy class of the contained light source.**

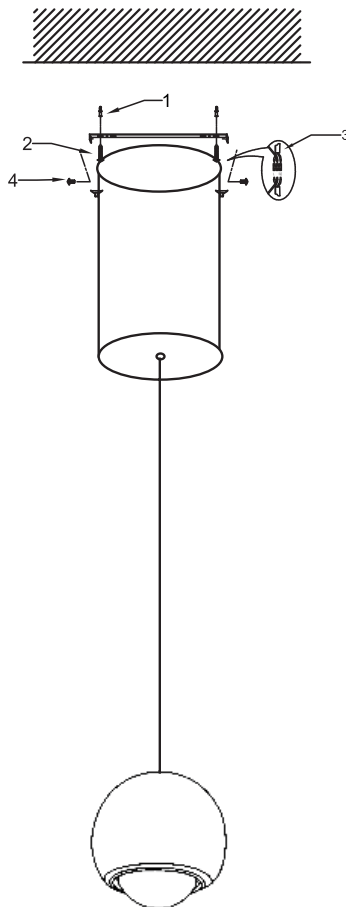


RoHS



UK
CA

INSTALLATION DIAGRAM



WIRING DIAGRAM

	N		Neutral Supply can be Blue or Black
	⊕		Ground Supply Can be Green-yellow
	L		Live Supply Can be Red or Brown

1. Switch off the power before starting the installation.
2. Use screws to fix mounting bar to the junction box.
3. Make the wire connections with connectors.
 - Connect the live wire (L) from fitting to the live wire from main power supply.
 - Connect the neutral wire (N) from fitting to the neutral wire from main power supply.
 - Connect the earth wire from fitting to the earth wire from main power supply.
 - Please pay close attention and make sure the wires are not exposed outside when wiring connections.
4. Use screws to fix canopy to mounting bar.
5. Check if the installation is completed and turn on the power

Note: This light is designed with adjustable height, press the pin on the canopy to adjust the height of the light.

DIAGRAM FOR REPLACING THE LIGHT SOURCE

[BY PROFESSIONALS ONLY]

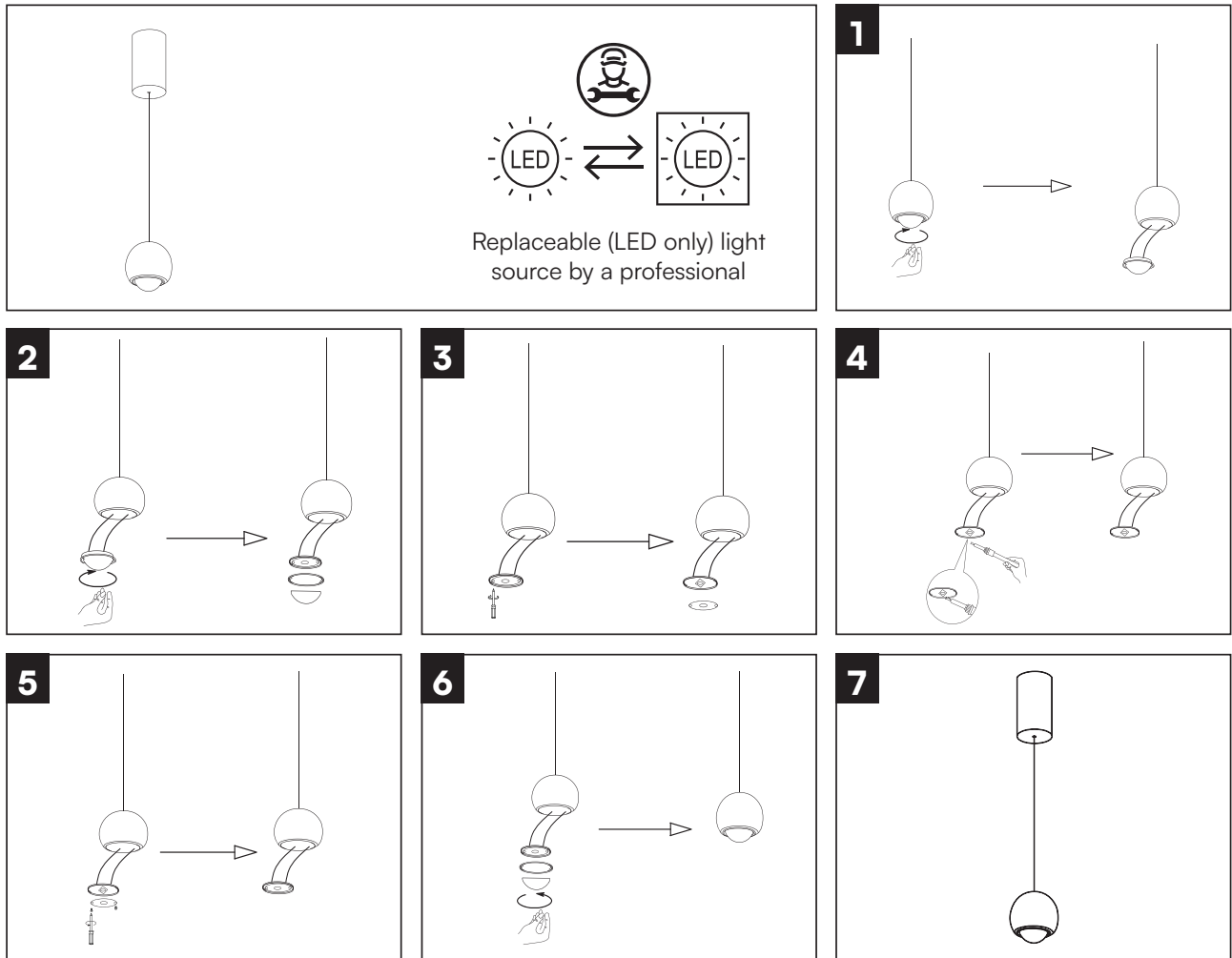
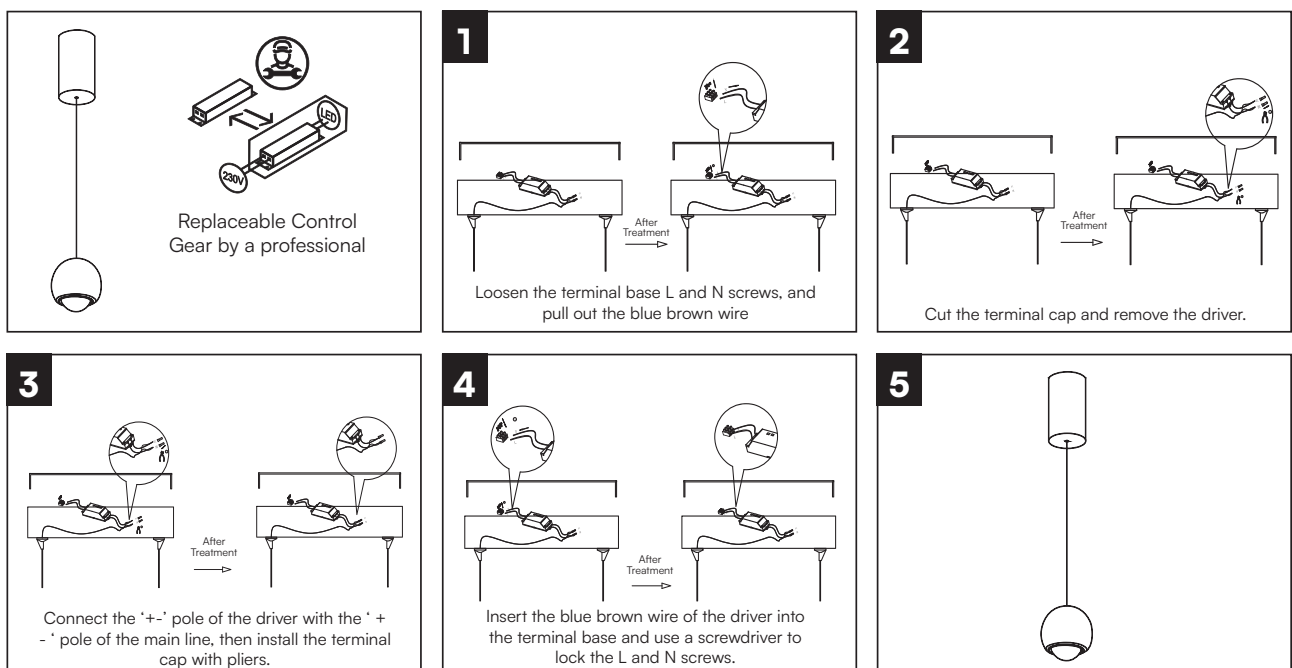


DIAGRAM FOR REPLACING CONTROL GEAR

[BY PROFESSIONALS ONLY]



Replaceable Control Gear by a professional

Loosen the terminal base L and N screws, and pull out the blue brown wire

Cut the terminal cap and remove the driver.

Connect the '+' pole of the driver with the '+' pole of the main line, then install the terminal cap with pliers.

Insert the blue brown wire of the driver into the terminal base and use a screwdriver to lock the L and N screws.