

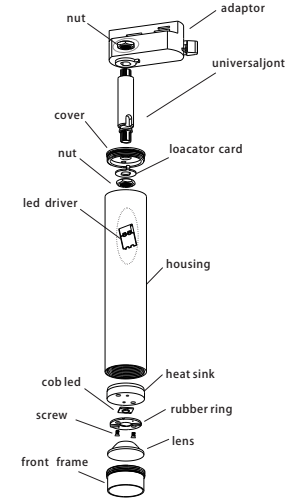
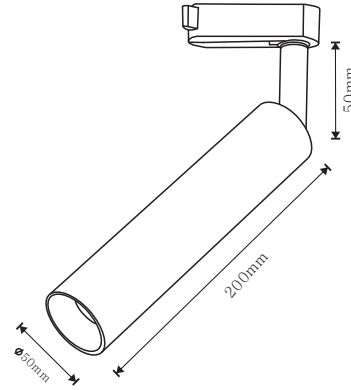
INSTALLATION INSTRUCTION
LED TRACKLIGHT



TECHNICAL DATA:

Model	Watts	Lumens	Beam Angle	PF	LED Chip Type	CRI	Body Type	Long Life	Input Power	Dimension
VT-407	7	490	24°	>0.5	COB-Samsung Chip	>90	Aluminium	30,000 Hours	AC:220-240V,50/60Hz	180xø40.5x50mm
VT-415	15	1200	24°	>0.5	COB-Samsung Chip	>90	Aluminium	30,000 Hours	AC:220-240V,50/60Hz	200xø50x50mm
VT-420	20	1600	24°	>0.9	COB-Samsung Chip	>90	Aluminium	30,000 Hours	AC:220-240V,50/60Hz	220xø60x50mm

STRUCTURE & SIZE



INSTALLATION DIAGRAM:

- Installation instructions:
 1, Switch off the power.
 2, Fix the lamp into the track and turn adaptor slide switch. (picture 1)
 3, Adjust the illumination angle of the luminaire. (picture 2)
 4, Switch on the power if above steps done properly without any mistakes. (picture 3)

