



Meaningful Innovation.

WEEE Number: 80133970

# INSTRUCTION MANUAL

## LED SPOT LIGHT



**02** YEAR  
WARRANTY\*



### TECHNICAL DATA

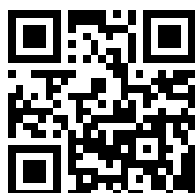
MODEL	VT-7007	ON/OFF CYCLE	>15,000 Times
SKU	23182, 23183, 23184	PROTECTION RATING	IP20
USEFUL LUMENS	660 LM @Sphere 360°	INPUT VOLTAGE	AC: 100-265V, 50/60Hz
INPUT VOLTAGE	AC: 220-240V, 50hz	UNIT COLOUR	White
POWER	7W	MATERIAL	PC
BEAM ANGLE	60°	DIMENSION	Ø86x20 mm
LIFE SPAN	20,000 Hours	CUT OUT SIZE	Ø65 mm

### INTRODUCTION & WARRANTY

Thank you for selecting and buying V-TAC product. V-TAC will serve you the best. Please read these instructions carefully before starting the installation and keep this manual handy for future reference. If you have any another query, please contact our dealer or local vendor from whom you have purchased the product. They are trained and ready to serve you at the best. The warranty is valid for 2 years from the date of purchase. The warranty does not apply to damage caused by incorrect installation or abnormal wear and tear. The company gives no warranty against damage to any surface due to incorrect removal and installation of the product. The products are suitable for 10-12 Hours Daily operation. Usage of product for 24 Hours a day would void the warranty. This product is warranted for manufacturing defects only.

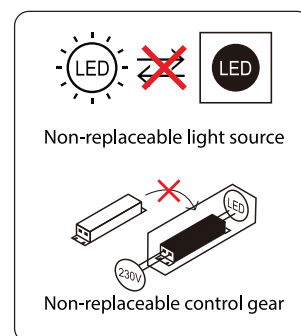
### WARNING

1. Please make sure to turn off the power before starting the installation.
2. Installation must be performed by a qualified electrician.
3. The light source of this luminaire is not replaceable, when the light source reaches its end of life the whole luminaire should be replaced.
4. If the external flexible cable or cord of this luminaire is damaged, it shall be exclusively replaced by the manufacturer or his service agent or a similar qualified person in order to avoid a hazard.
5. For Indoor use only



### MULTI-LANGUAGE MANUAL QR CODE

Please scan the QR code to  
access the manual in multiple languages.



In case of any query/issue with the product, please reach out to us at: support@v-tac.eu  
For More products range, inquiry please contact our distributor or nearest dealers.  
V-TAC EUROPE LTD. Bulgaria, Plovdiv 4000, bul.L.Karavelow 9B

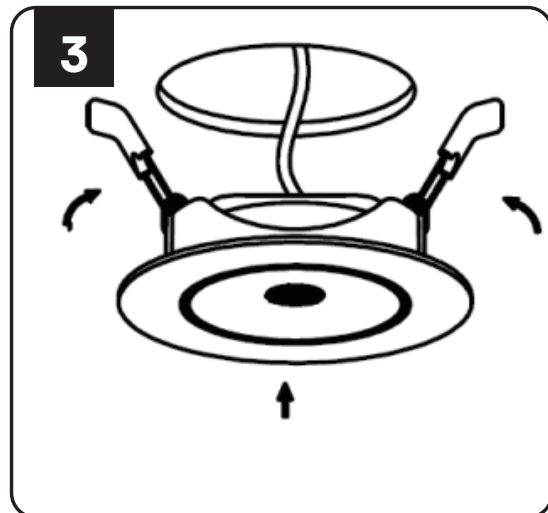
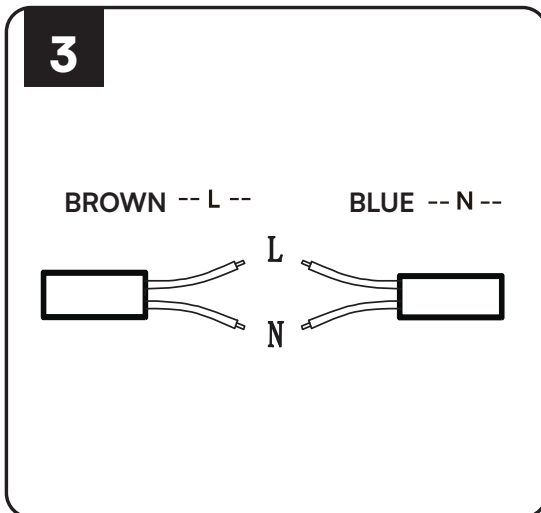
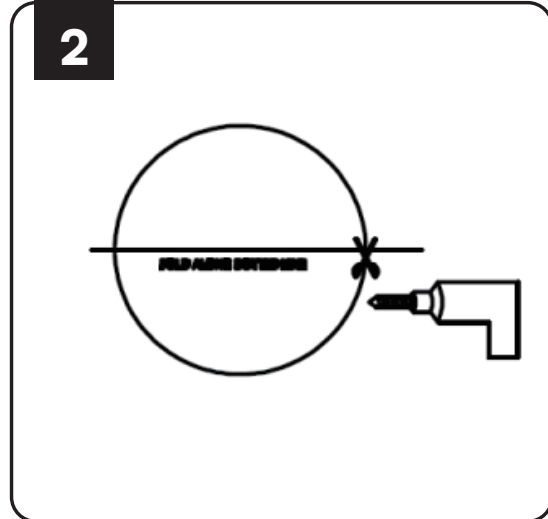
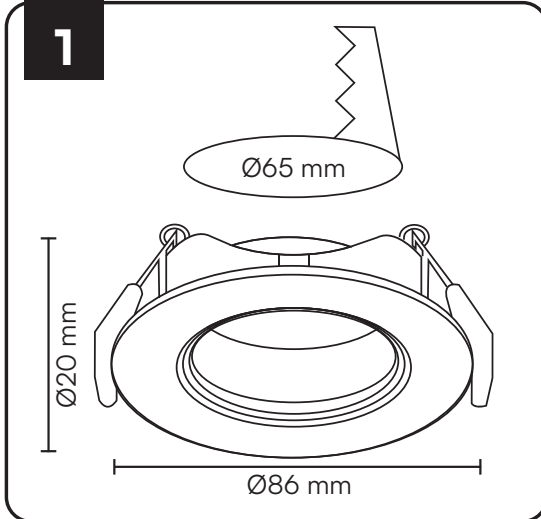


This marking indicates that this product should not be disposed of with other household wastes.



Caution, risk of electric shock.

## INSTALLATION INSTRUCTION



1. Switch off the power before starting the installation.
2. Mark the area for making hole).
3. Cut a hole as per the Cut Out Size - Ø65 mm(Figure 2).
4. Connect the AC connection to the driver (Figure 3).
5. Hold the two clips back against the sides of the spot light and push up into the hole. The clips then lie flat on top of the ceiling holding it in place (Figure 3).
6. Turn on the power and test.

RoHS



UK  
CA

