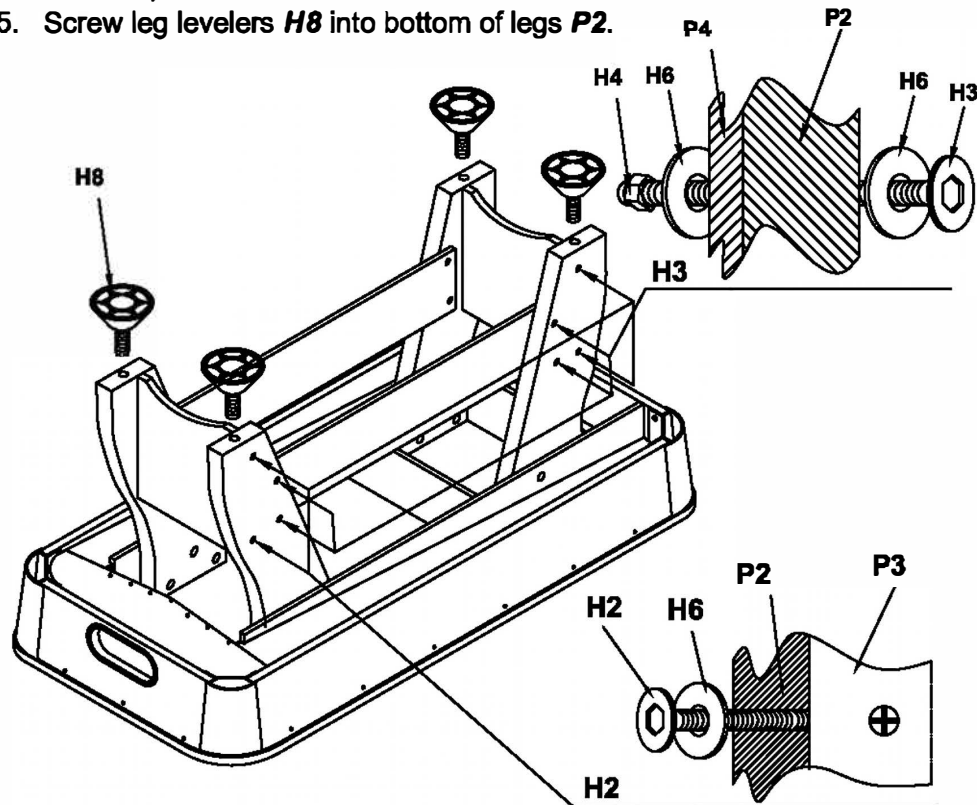
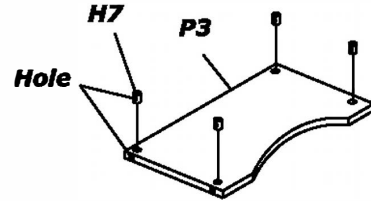


# ASSEMBLY INSTRUCTIONS

## POOL TABLE ASSEMBLY

WARNING:TWO ADULTS NEEDED TO ASSEMBLE POOL TABLE

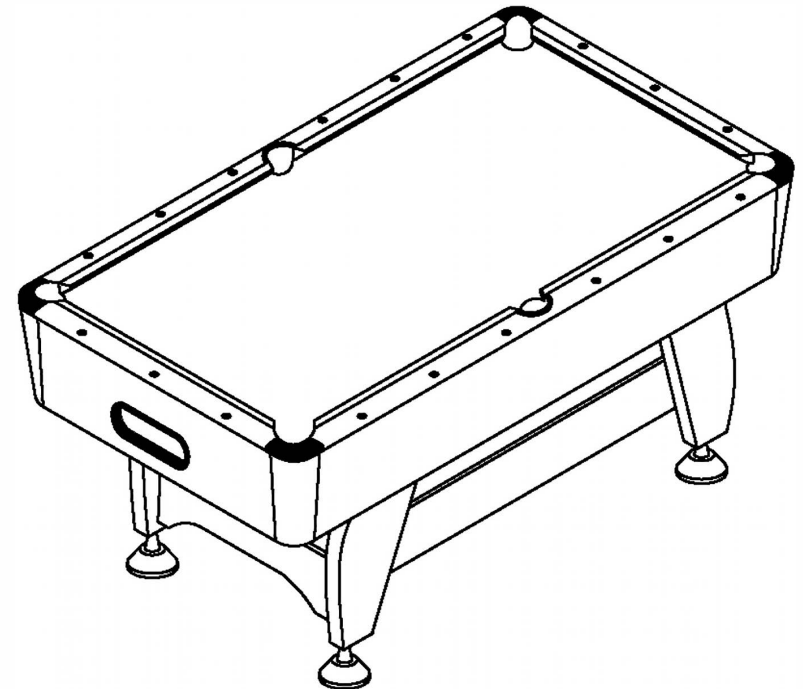
2. Insert the nut **H7** into the hole of the end panels **P3**. The hole of the nut align the hole of the panel. see the **FIGURE**
3. Attach the end leg panels **P3** to the **INSIDE** surface of legs **P2** using 1/4" bolts **H2**, washers **H6** (The threaded barrel are pre-assembled in the end leg panels **P3**)
4. Attach the leg side panels **P4** to the **INSIDE** surface of legs **P2** using 1/4" bolts **H3**, washers **H6** and lock hex nuts **H4**.
5. Screw leg levelers **H8** into bottom of legs **P2**.



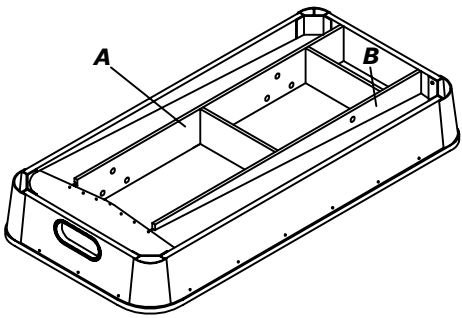
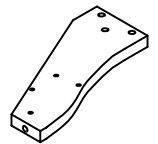
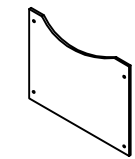
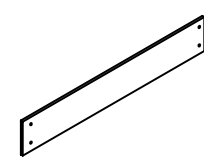

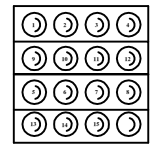
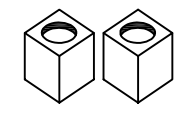
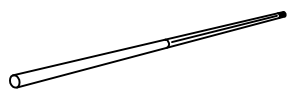


## POOL TABLE

### ASSEMBLY INSTRUCTIONS

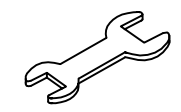
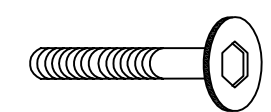
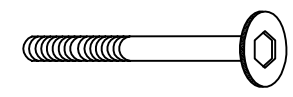
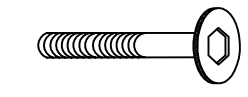
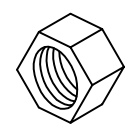

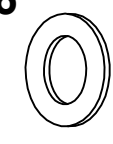
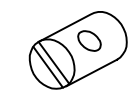
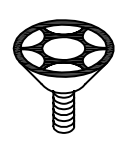
# PEGASI



# PARTS IDENTIFIER

<b>P1</b>  MAIN ASSEMBLY 1set	<b>A</b> LONG RAIL, A      1pc	
	<b>B</b> LONG RAIL, B      1pc	
<b>P2</b>  LEG 4pcs	<b>P3</b>  LEG END PANEL 2pcs	<b>P4</b>  LEG SIDE PANEL 2pcs
<b>A1</b>  BRUSH 1pc	<b>A2</b>  BILLIARD BALL 1set	<b>A3</b>  CHALK 2pcs
<b>A4</b>  CUE STICK 2pcs	<b>A5</b>  TRIANGLE 1pc	<b>A6</b>  SMALL ALLEN KEY 1pc

# PARTS IDENTIFIER

<b>A7</b>  WRENCH 1pc	<b>H1</b>  5/16" BOLT 12pcs		
<b>H2</b>  1/4" BOLT(long) 8pcs	<b>H3</b>  1/4"xBOLT(short) 8pcs	<b>H4</b>  1/4" LOCK HEX NUT 8pcs	
<b>H5</b>  5/16"BLACK FLAT WASHER 12pcs	<b>H6</b>  1/4"BLACK FLAT WASHER 24pcs	<b>H7</b>  CYLINDRICAL NUT 8 pcs	<b>H8</b>  LEG LEVELER 4pcs

## ASSEMBLY INSTRUCTIONS POOL TABLE ASSEMBLY

WARNING:TWO ADULTS NEEDED TO ASSEMBLE POOL TABLE

1.Using bolts **H1** and washers **H5**. Attach leg **P2** to long rail section **A & B**.

