

V-TAC

Meaningful Innovation.

WEEE Number: 80133970

INSTRUCTION MANUAL

LED DOME LIGHT WITH PIR SENSOR

TECHNICAL DATA

MODEL	VT-13CCT
SKU	23418
POWER	12W
LUMENS	900 Lm
INPUT VOLTAGE	AC: 220-240V, 50/60 Hz
CRI	>80
TIME DELAY	Min. 10sec ±3sec Max. 3min ±30min
DETECTION RANGE	360°
DETECTION DISTANCE	6M Max (<24° C)
DETECTION MOTION SPEED	0.6-1.5m/s
WORKING TEMPERATURE	-20°C to +40°C
IP RATING	IP20
AMBIENT LIGHT	<3-2000 LUX (Adjustable)



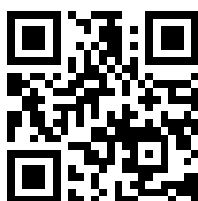
INSTALLATION HEIGHT	2.2-4m
DIMENSION	Ø290x60 mm

INTRODUCTION & WARRANTY

Thank you for selecting and buying V-TAC product. V-TAC will serve you the best. Please read these instructions carefully before starting the installation and keep this manual handy for future reference. If you have any other query, please contact our dealer or local vendor from whom you have purchased the product. They are trained and ready to serve you at the best. The warranty is valid for 5 years from the date of purchase. The warranty does not apply to damage caused by incorrect installation or abnormal wear and tear. The company gives no warranty against damage to any surface due to incorrect removal and installation of the product. The products are suitable for 10-12 Hours Daily operation. Usage of product for 24 Hours a day would void the warranty. This product is warranted for manufacturing defects only.



Caution, risk of electric shock.



MULTI-LANGUAGE MANUAL QR CODE

Please scan the QR code to access the manual in multiple languages.



This marking indicates that this product should not be disposed of with other household wastes.



FR
Cet appareil, ses accessoires et cordons se recyclent



À DÉPOSER EN MAGASIN



À DÉPOSER EN DÉCHÈTERIE

ou

Points de collecte sur www.quefairedemesdechets.fr
Privilégiez la réparation ou le don de votre appareil !

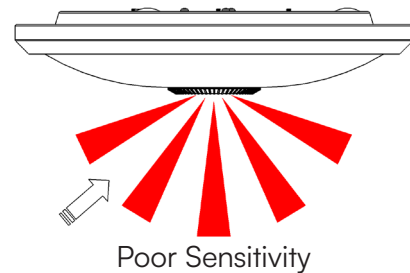
In case of any query/issue with the product, please reach out to us at: support@v-tac.eu
For More products range, inquiry please contact our distributor or nearest dealers.
V-TAC EUROPE LTD. Bulgaria, Plovdiv 4000, bul.L.Karavelow 9B

WARNING

1. Please make sure to turn off the power before starting the installation.
2. Installation must be performed by a qualified person.
3. The light source of this luminaire is not replaceable, when the light source reaches its end of life the whole luminaire should be replaced.
4. For Indoor use only.

FUNCTION

- Can identify day and night: The consumer can adjust working state in different ambient light. It can work in the daytime and at night when it is adjusted on the “sun” position (max). It can work in the ambient light less than 3LUX when it is adjusted on the “moon” position (min). As for the adjustment pattern, please refer to the testing pattern.
- Time-Delay is added continually: When it receives the second induction signals within the first induction, it will restart to time from the moment.
- Adjustable Time Delay: the length of time delay could be set according to the customers' requirement, the minimum time of this item is $10\text{sec} \pm 3\text{sec}$, and the maximum is $3\text{min} \pm 30\text{sec}$.



INSTALLATION

- Switch off the power.
- Unscrew the plastic screw nut and remove the PC lampshade.(refer to figure1)
- Pass the wire through the hole in the bottom and connect the power wire into connection-wire column according to the connection-wire diagram. Install the sensor lamp in the position where you need with inflated screws. (refer to figure2)
- Switch on the power and test it.

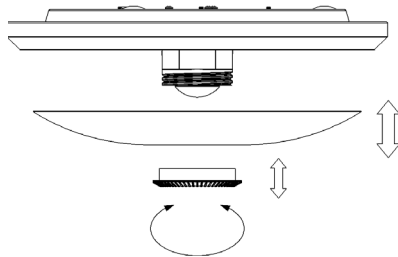


Figure 1

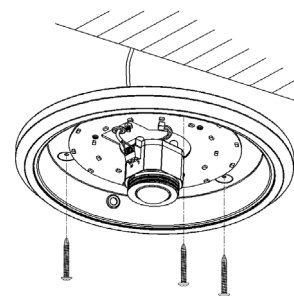
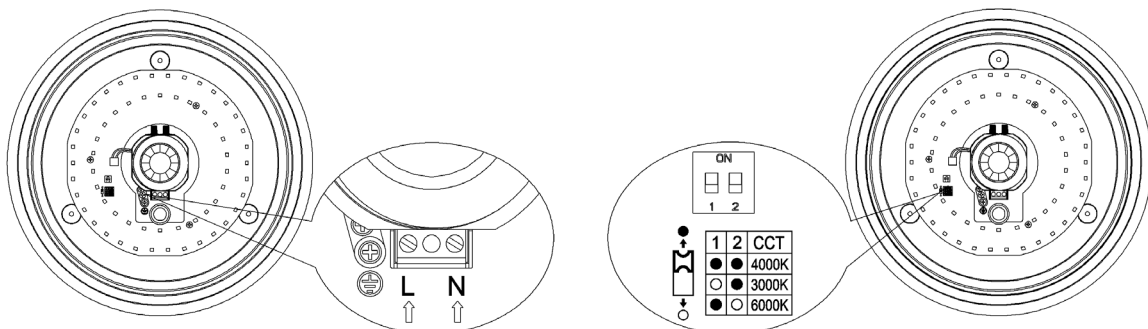


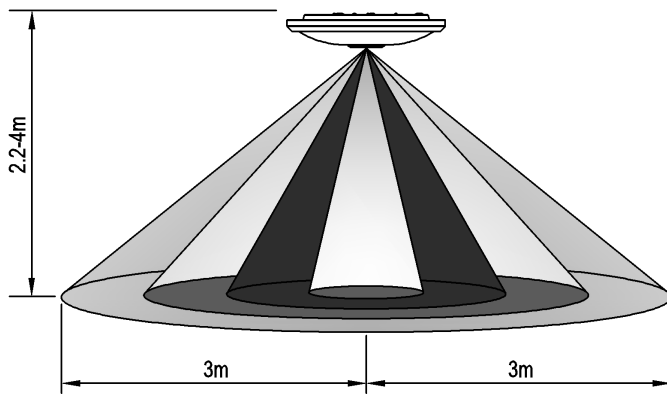
Figure 2

WIRING DIAGRAM

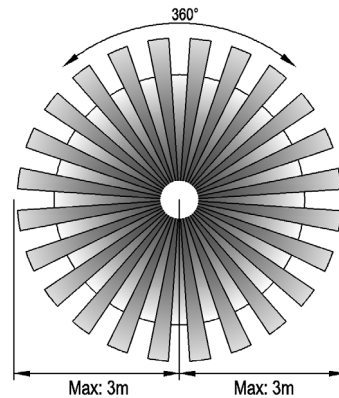


Remarks: You can slide the switch to adjust the color temperature to 3000K, 4000K or 6000K

SENSOR INFORMATION

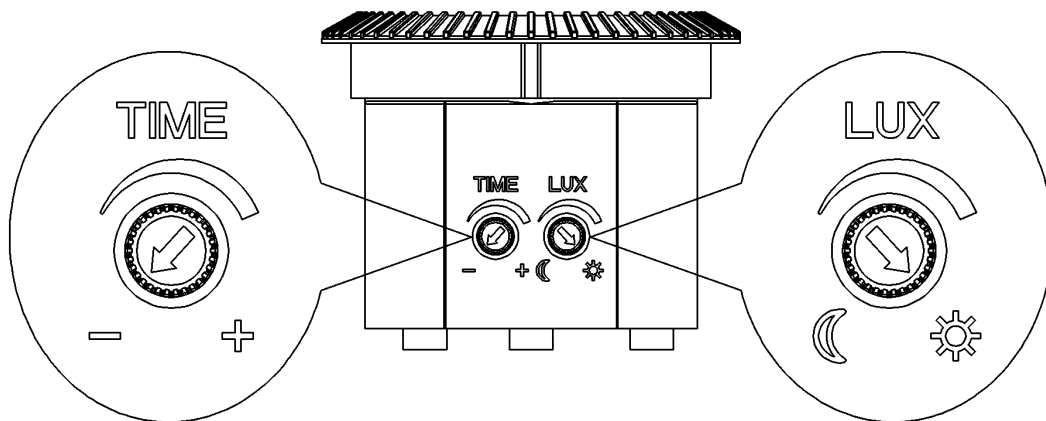


Height of installation: 2.2-4m



Detection Distance: Max.6m

TEST



- Turn the TIME knob anti-clockwise on the minimum. Turn the LUX knob clockwise on the maximum (sun).
- Switch on the power; the lamp will have no signal at the beginning. After Warm-up 30sec, the lamp can start work. If it receives the induction signal, the lamp will turn on. While there is no another induction signal any more, the lamp should stop working within 10sec±3sec.
- Turn LUX knob anti-clockwise on the minimum (moon). If the ambient light is more than 3LUX, the lamp should not work. If the ambient light is less than 3LUX (darkness), the lamp would work. Under no induction signal condition, the lamp should stop working within 10sec±3sec.

Note: when testing in daylight, please turn LUX knob to ☀ (SUN) position, otherwise the sensor lamp could not work!

NOTE

- Should be installed by electrician or experienced person;
 - Avoid installing it on the uneven object;
 - There should be no hindrance and moving objects in front of the detection windows to affect detection;
 - Avoid installing it near air temperature alteration zones such as air condition, central heating, etc;
 - Considering your safety, please do not open the cover when you find the hitch after installation.
 - If there is difference between instruction and the function the product has, please give priority to product and sorry not to inform you additionally.
-

TROUBLESHOOTING

- **The load do not work**

- a. Please check if the connection-wiring of power and load is correct.
- b. Please check if the load is good.
- c. Please check if the working light sets correspond to ambient light.

- **The sensitivity is poor**

- a. Please check if there has any hindrance in front of the detection window to affect to receive the signal.
- b. Please check if the ambient temperature is too high.
- c. Please check if the induction signal source is in the detection fields.
- d. Please check if the installation height corresponds to the height showed in the instruction.
- e. Please check if the moving orientation is correct.

- **The sensor can not shut off the load automatically**

- a. Please check if there is continual signal in the detection field.
- b. Please check if the time delay is the longest.
- c. Please check if the power corresponds to the instruction.

RoHS



UK
CA

