

# V-TAC



Meaningful Innovation.

WEEE Number: 80133970

## INSTRUCTION MANUAL

### INFRARED MOTION SENSOR

#### TECHNICAL DATA

MODEL	VT-81010
SKU	23426
INPUT VOLTAGE	AC: 220-240V, 50/60 Hz
RATED LOAD	Max. 1200W  600W  +LED
TIME DELAY	Min. 10sec ±3sec Max. 15min ±2min
DETECTION RANGE	360°
DETECTION DISTANCE	8m Max (<24° C)
DETECTION MOTION SPEED	0.6-1.5m/s
WORKING TEMPERATURE	-20°C to +40°C
WORKING HUMIDITY	<93%RH
POWER CONSUMPTION	Approx, 0.9W
AMBIENT LIGHT	<3-2000 LUX (Adjustable)



COMPATIBLE WITH

V-TAC LED  
RANGE (UPTO 600W)

**05** YEAR  
WARRANTY\*

IP RATING	IP20
INSTALLATION HEIGHT	1.8-4m
CUTOUT SIZE	Ø63-66mm
DIMENSION	Ø76x49 mm

#### INTRODUCTION & WARRANTY

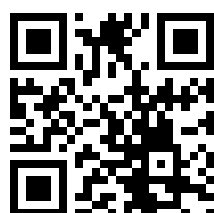
Thank you for selecting and buying V-TAC product. V-TAC will serve you the best. Please read these instructions carefully before starting the installation and keep this manual handy for future reference. If you have any other query, please contact our dealer or local vendor from whom you have purchased the product. They are trained and ready to serve you at the best. The warranty is valid for 5 years from the date of purchase. The warranty does not apply to damage caused by incorrect installation or abnormal wear and tear. The company gives no warranty against damage to any surface due to incorrect removal and installation of the product.



Caution, risk of electric shock.



This marking indicates that this product should not be disposed of with other household wastes.



#### MULTI-LANGUAGE MANUAL QR CODE

Please scan the QR code to access the manual in multiple languages.



FR  
Cet appareil,  
ses accessoires  
et cordons  
se recyclent

À DÉPOSER  
EN MAGASIN

À DÉPOSER  
EN DÉCHÈTERIE



OU

Points de collecte sur [www.quefairedemesdechets.fr](http://www.quefairedemesdechets.fr)  
Privilégiez la réparation ou le don de votre appareil !

In case of any query/issue with the product, please reach out to us at: [support@v-tac.eu](mailto:support@v-tac.eu)  
For More products range, inquiry please contact our distributor or nearest dealers.  
V-TAC EUROPE LTD. Bulgaria, Plovdiv 4000, bul.L.Karavelow 9B

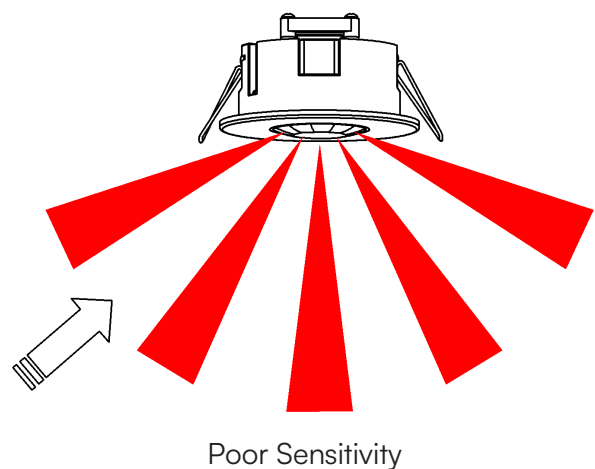
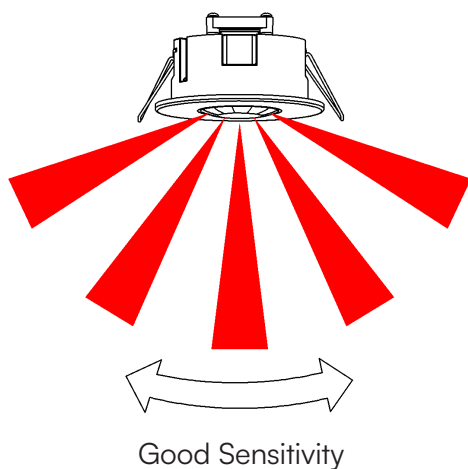
---

## WARNING

1. Please make sure to turn off the power before starting the installation.
2. Installation must be performed by a qualified electrician.
3. Cover or shield any adjacent live components.
4. For indoor use only.

## FUNCTION

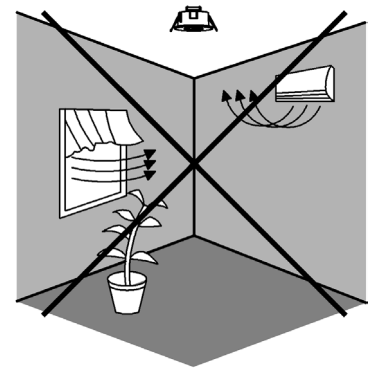
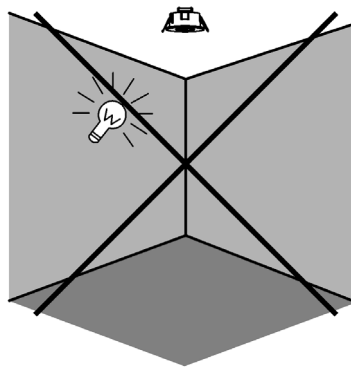
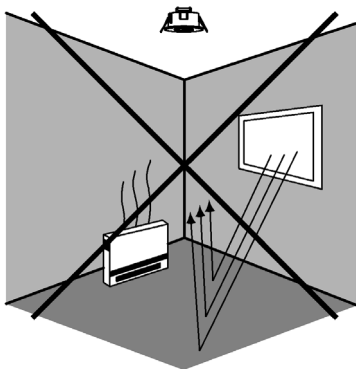
1. Can identify day and night: The consumer can adjust working state in different ambient light. It can work in the daytime and at night when it is adjusted on the "sun" position (max). It can work in the ambient light less than 3LUX when it is adjusted on the "3" position (min). As for the adjustment pattern, please refer to the testing pattern.
2. Time-Delay is added continually: When it receives the second induction signals within the first induction, it will restart to time from the moment.



## INSTALLATION ADVICE

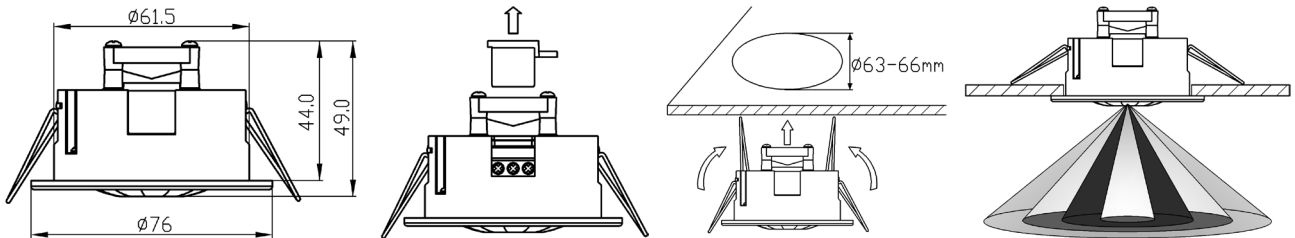
As the detector responds to changes in temperature, avoid the following situations:

- Avoid pointing the detector towards objects with highly reflective surfaces, like mirrors etc.
- Avoid mounting the detector near heat sources as heating vents, air conditioners, light etc.
- Avoid pointing the detector towards objects that may move in the wind, such as curtains, tall plants etc.

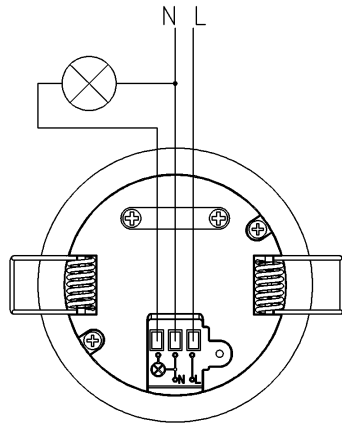


## INSTALLATION

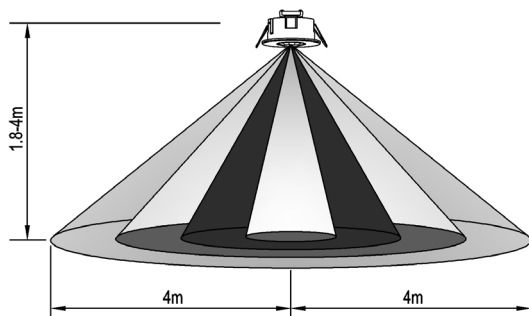
- Switch off the power.
- Unload the transparent cover.
- Connect the power to connection terminal of sensor according to connection-wire diagram.
- Install back the transparent cover into the original location.
- Fold the metal spring of the sensor upwards and then put the sensor into the suitable hole or installation box. Releasing the spring, the sensor will be set in this installation position.
- After finishing installing, turn on the power and then test it.



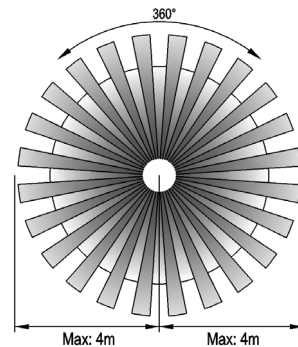
## WIRING DIAGRAM



## SENSOR INFORMATION



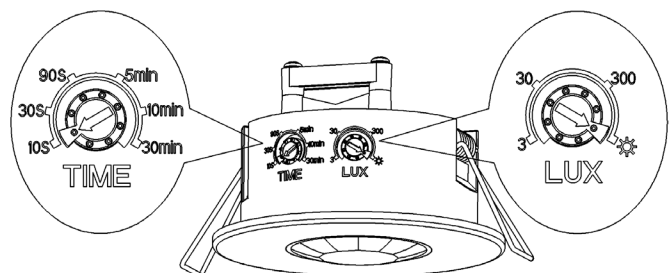
Height of Installation: 1.8-4m



DETECTION DISTANCE: Max. 8m

## TEST

- Turn the TIME knob anti-clockwise on the minimum (10S). Turn the LUX knob clockwise on the maximum (sun).
- Switch on the power; the sensor and its connected lamp will have no signal at the beginning. After Warm-up 30sec, the sensor can start work. If the sensor receives the



---

induction signal, the lamp will turn on. While there is no another induction signal any more, the load should stop working within  $10\text{sec}\pm 3\text{sec}$  and the lamp would turn off.

- Turn LUX knob anti-clockwise on the minimum (3). If the ambient light is more than 3LUX, the sensor would not work and the lamp stop working too. If the ambient light is less than 3LUX (darkness), the sensor would work. Under no induction signal condition, the sensor should stop working within  $10\text{sec}\pm 3\text{sec}$ .

**Note: when testing in daylight, please turn LUX knob to  (SUN) position, Otherwise the sensor lamp will not work.**

## TROUBLESHOOTING

- **The load does not work:**

- a. Please check if the connection of power source and load is correct.
- b. Please check if the load is good.
- c. Please check if the settings of working light correspond to ambient light.

- **The sensitivity is poor:**

- a. Please check if there is any hindrance in front of the detector to affect it to receive the signals.
- b. Please check if the ambient temperature is too high.
- c. Please check if the induction signal source is in the detection field.
- d. Please check if the installation height corresponds to the height required in the instruction.
- e. Please check if the moving orientation is correct.

- **The sensor can not shut off the load automatically:**

- a. Please check if there is continual signal in the detection field.
- b. Please check if the time delay is set to the maximum position.

---

RoHS



UK  
CA

